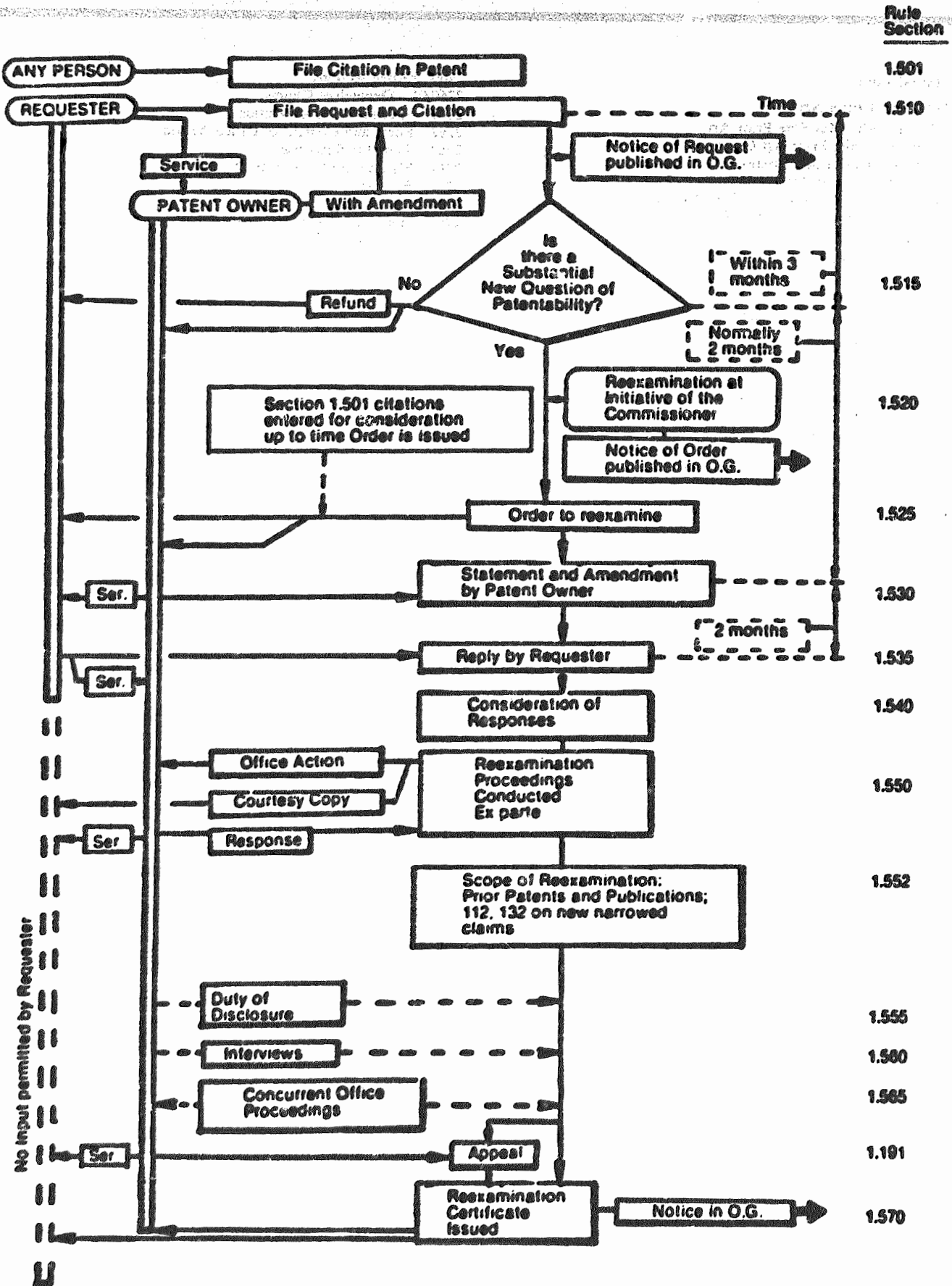


Chapter 2200 Citation of Prior Art and Reexamination of Patents

- 2201 Introduction
 - 2202 Citation of Prior Art
 - 2203 Persons Who May Cite Prior Art
 - 2204 Time for Filing Prior Art Citations
 - 2205 Content of Prior Art Citation
 - 2206 Handling of Prior Art Citations
 - 2207 Entry of Court Decisions in Patent Files
 - 2208 Service of Citation on Patent Owner
 - 2209 Reexamination
 - 2210 Request for Reexamination
 - 2211 Time for Requesting Reexamination
 - 2212 Persons Who May File A Request
 - 2213 Representative of Requester
 - 2214 Content of Request
 - 2215 Fee for Requesting Reexamination
 - 2216 Substantial New Question of Patentability
 - 2217 Statement Applying Prior Art
 - 2218 Copies of Prior Art
 - 2219 Copy of Printed Patent
 - 2220 Certificate of Service
 - 2221 Amendments Included in Request by Patent Owner
 - 2222 Address of Patent Owner
 - 2223 Withdrawal of Power of Attorney
 - 2224 Correspondence
 - 2225 Untimely Papers Filed Prior to Order
 - 2226 Initial Processing of Request
 - 2227 Incomplete Requests
 - 2228 Informal Requests
 - 2229 Notice of Request in Official Gazette
 - 2230 Constructive Notice to Patent Owner
 - 2231 Processing of Request Corrections
 - 2232 Public Access
 - 2233 Processing in Examining Group
 - 2234 Entry of Amendments
 - 2235 Record Systems
 - 2236 Assignment of Reexamination
 - 2237 Transfer Procedure
 - 2238 Time Reporting
 - 2239 Reexamination Ordered at Commissioner's Initiative
 - 2240 Decision on Request
 - 2241 Time for Deciding Request
 - 2242 Criteria for Deciding Request
 - 2243 Claims Considered in Deciding Request
 - 2244 Prior Art on Which Determination is Based
 - 2245 Processing of Decision
 - 2246 Decision Ordering Reexamination
 - 2247 Decision on Request for Reexamination Denied
 - 2248 Petition From Denial of Request
 - 2249 Patent Owner's Statement
 - 2250 Amendment by Patent Owner
 - 2250.01 Correction of Patent Drawings
 - 2251 Reply by Requester
 - 2252 Consideration of Statement and Reply
 - 2253 Consideration by Examiner
 - 2254 Conduct of Reexamination Proceedings
 - 2255 Who Reexamines
 - 2256 Prior Art Patents and Printed Publications Considered by the Examiner in Reexamination
 - 2257 Listing of Prior Art
 - 2258 Scope of Reexamination
 - 2259 Collateral Estoppel in Reexamination Proceedings
 - 2260 Office Actions
 - 2260.01 Dependent Claims
 - 2261 Special Status for Action
 - 2262 Form and Content of Office Action
 - 2263 Time for Response
 - 2264 Mailing of Office Actions
 - 2265 Extension of Time
 - 2266 Responses
 - 2267 Handling of Inappropriate or Untimely Filed Papers
 - 2268 Petitions for Entry of Late Papers
 - 2269 Reconsideration
 - 2270 Clerical Handling
 - 2271 Final Action
 - 2272 Alter Final Practice
 - 2273 Appeal in Reexamination
 - 2274 Appeal Brief
 - 2275 Examiner's Answer
 - 2276 Oral Hearing
 - 2277 Board of Patent Appeals and Interferences Decision
 - 2278 Action Following Decision
 - 2279 Appeals to Courts
 - 2280 Duty of Disclosure in Reexamination Proceedings
 - 2281 Interviews in Reexamination Proceedings
 - 2282 Notification of Existence of Prior or Concurrent Proceedings and Decisions Thereon
 - 2283 Multiple Copending Reexamination Proceedings
 - 2284 Copending Reexamination and Interference Proceedings
 - 2285 Copending Reexamination and Reissue Proceedings
 - 2286 Reexamination and Litigation Proceedings
 - 2287 Conclusion of Reexamination Proceedings
 - 2288 Issuance of Reexamination Certificate
 - 2289 Reexamination Review
 - 2290 Format of Certificate
 - 2291 Notice of Certificate Issuance in Official Gazette
 - 2292 Distribution of Certificate
 - 2293 Intervening Rights
 - 2294 Terminated Reexamination Files
- ## 2201 Introduction [R-4]
- Statutory basis for citation of prior patents or printed publications in patent files and reexamination of patents became available on July 1, 1981, as a result of new sections 301-307 of title 35 United States Code which were added by Public Law 96-517 enacted on December 12, 1980. The rules of practice in patent cases relating to reexamination were initially promulgated on April 30, 1981, at 46 Fed. Reg. 24179-24180 and on May 29, 1981, at 46 Fed. Reg. 29176-29187. ***
- This Chapter is intended to be primarily a guide for Patent and Trademark Office personnel on the processing of prior art citations and reexamination requests. Secondly, it is to also serve as a guide on the formal requirements for filing such documents in the Office.
- The flow chart which follows shows the general provisions of both the citation of prior art and reexamination proceedings including reference to the pertinent rule sections.

SUMMARY OF REEXAMINATION PROVISIONS



2202 Citation of Prior Art

35 U.S.C. 301. Citation of prior art. Any person at any time may cite to the Office in writing prior art consisting of patents or printed publications which that person believes to have a bearing on the patentability of any claim of a particular patent. If the person explains in writing the pertinency and manner of applying such prior art to at least one claim of the patent, the citation of such prior art and the explanation thereof will become a part of the official file of the patent. At the written request of the person citing the prior art, his or her identity will be excluded from the patent file and kept confidential.

37 CFR 1.501 Citation of prior art in patent files. (a) At any time during the period of enforceability of a patent, any person may cite to the Patent and Trademark Office in writing prior art consisting of patents or printed publications which that person states to be pertinent and applicable to the patent and believes to have a bearing on the patentability of any claim of a particular patent. If the citation is made by the patent owner, the explanation of pertinency and applicability may include an explanation of how the claims differ from the prior art. Citations by the patent owner under § 1.555 and by a reexamination requester under either § 1.510 or § 1.535 will be entered in the patent file during a reexamination proceeding. The entry in the patent file of citations submitted after the date of an order to reexamine pursuant to § 1.525 by persons other than the patent owner, or a reexamination requester under either § 1.510 or § 1.535, will be delayed until the reexamination proceedings have been terminated.

(b) If the person making the citation wishes his or her identity to be excluded from the patent file and kept confidential, the citation papers must be submitted without any identification of the person making the submission.

(c) Citation of patents or printed publications by the public in patent files should either (1) reflect that a copy of the same has been mailed to the patent owner at the address as provided for in § 1.33(c); or in the event service is not possible (2) be filed with the Office in duplicate.

Prior art in the form of patents or printed publications may be cited to the Patent and Trademark Office for placement into the patent files. Such citations may be made without payment of a fee. Citations of prior art may be made separate from and without a request for reexamination.

The basic purpose for citing prior art in patent files is to inform the patent owner and the public in general that such patents or printed publications are in existence and should be considered when evaluating the validity of the patent claims. Placement of citations in the patent file along with copies of the cited prior art will also insure consideration thereof during any subsequent reissue or reexamination proceeding.

The citation of prior art provisions of 35 U.S.C. 301 and 37 CFR 1.501 do not apply to citations or protests filed in pending applications.

2203 Persons Who May Cite Prior Art

The patent owner or any member of the public may submit prior art citations of patents or printed publications to the Patent and Trademark Office. 35 U.S.C. 301 states that "Any person at any time may cite to the Office"

"Any person" may be corporate and governmental entities as well as individuals.

If a person citing prior art desires his or her identity to be kept confidential, such a person need not identify himself or herself.

"Any person" includes patentees, licensees, reexamination requesters, real parties in interest, persons

without a real interest and persons acting for real parties in interest without a need to identify the real party of interest.

The statute indicates that "at the written request of the person citing the prior art, his or her identity will be excluded from the patent file and kept confidential". Although an attempt will be made to exclude any such papers from the public files, since the review will be mainly clerical in nature, complete assurance of such exclusion cannot be given. Persons citing art who desire to remain confidential are therefore advised to not identify themselves anywhere in their papers.

Confidential citations should include at least an unsigned statement indicating that the patent owner has been sent a copy of the citation papers. In the event that it is not possible to serve a copy on the patent owner, a duplicate copy should be filed with the Office.

Patent examiners should not, at their own initiative, place, or forward for placement, in the patent file any citations of prior art. Patent examiners are charged with the responsibility of making decisions as to patentability for the Commissioner. Any activity by examiners which would appear to indicate that patent claims are not patentable, outside of those cases pending before them, is considered to be inappropriate.

2204 Time for Filing Prior Art Citations [R-4]

Citations of prior art may be filed "at any time" under 35 U.S.C. 301. However, this period has been defined by rule (37 CFR 1.501(a)) to be "any time during the period of enforceability of a patent". The period of enforceability is the length of the term of the patent (normally 17 years for a utility patent) plus the six years under the statute of limitations for bringing an infringement action. In addition, if litigation is instituted within the period of the statute of limitations, citations may be submitted after the statute of limitations has expired, as long as the patent is still enforceable against someone. Also, while citations of prior art may be filed at any time during the period of enforceability of the patent, citations submitted after the date of any order to reexamine by persons other than the patent owner, or a reexamination requester who also submits the fee and other documents required under 37 CFR 1.510, or in a response under 37 CFR 1.535, will not be entered into the patent file until the pending reexamination proceedings have been terminated. (37 CFR 1.501(a)). Therefore, if prior art cited by a third party is to be considered without the payment of another reexamination fee, it must be presented before reexamination is ordered.

The purpose of this rule is to prevent harassment of the patent owner due to frequent submissions of prior art citations during reexamination proceedings.

2205 Content of Prior Art Citations [R-4]

The type of prior art which may be submitted under 35 U.S.C. 301 is limited to "written prior art consisting of patents or printed publications".

An explanation is required of how the person submitting the prior art considers it to be pertinent and applicable to the patent, as well as an explanation why it is believed that the prior art has a bearing on the patentability of any claim of the patent. Citations of prior art by patent owners may also include an explanation of how the claims of the patent differ from the prior art cited.

It is preferred that copies of all the cited prior patents or printed publications and any necessary English translation be included so that the value of the citations may be readily determined by persons inspecting the patent files and by the examiner during any subsequent reexamination proceeding.

All prior art citations filed by persons other than the patent owner must either indicate that a copy of the citation has been mailed to, or otherwise served on, the patent owner at the correspondence address as defined under *37 CFR 1.33(c), or if for some reason service on the patent owner is not possible, a duplicate copy of the citation must be filed with the Office along with an explanation as to why the service was not possible. The most recent address of the

attorney of record may be obtained from the Office's register of registered patent attorneys and agents maintained by the Office of Enrollment and Discipline pursuant to 37 CFR *10.5 and *10.11(a).

All citations submitted should identify the patent in which the citation is to be placed by the patent number, issue date and patentee.

A cover sheet with an identification of the patent should have firmly attached to it all other documents relating to the citation so that the documents will not become separated during processing. The documents should also contain, or have placed thereon, an identification of the patent for which they are intended.

Affidavits or declarations relating to the prior art documents submitted which explain the contents or pertinent dates in more detail may accompany the citation.

A commercial success affidavit tied in with a particular prior art document may also be acceptable.

No fee is required for the submission of citations under *37 CFR 1.501.

Examples of letters submitting prior art under *37 CFR 1.501 follow.

IN THE UNITED STATES PATENT AND TRADEMARK OFFICE

Certificate of Service

In re patent of
 Joseph Smith
 Patent No. 4,444,444
 Issued: July 7, 1977
 For: Cutting Tool

Submission of Prior Art Under 37 CFR 1.501

Hon. Commissioner of Patents and Trademarks
 Washington, D. C. 20231

Sir:

The undersigned herewith submits in the above identified patent the following prior art (including copies thereof) which is pertinent and applicable to the patent and is believed to have a bearing on the patentability of at least claims 1 - 3 thereof:

Weid et al	U.S. 2,585,416	April 15, 1933
McGee	U.S. 2,722,794	May 1, 1934
Paulk et al	U.S. 3,625,291	June 16, 1936

More particularly, each of the references discloses a cutting tool strikingly similar to the device of Smith in having pivotal handles with cutting blades and a pair of dies. It is felt that each of the references has a bearing on the patentability of claims 1-3 of the Smith patent.

Insofar as claims 1 and 2 are concerned, each of the references clearly anticipates the claimed subject matter under 35 USC 102.

As to claim 3, the differences between the subject matter of this claim and the cutting tool of Weid et al are shown in the device of Paulk et al. Further, Weid et al suggests that different cutting blades can be used in their device. A person of ordinary skill in the art at the time the invention was made would have been led by the suggestion of Weid et al to the cutting blades of Paulk et al as obvious substitutes for the blades of Weid et al.

Respectfully submitted,

John Jones
 John Jones

Certificate of Service

I hereby certify on this first day of June 1982, that a true and correct copy of the foregoing "Submission of Prior Art" was mailed by first-class mail, postage paid, to:

Joseph Smith
555 Emery Lane
Arlington, Va. 22202

John Jones



IN THE UNITED STATES PATENT AND TRADEMARK OFFICE

In re patent of
Joseph Smith
 Patent No. **4,444,444**
 Issued: **July 7, 1977**
 For: **Cutting Tool**

Submission of Prior Art Under 37 CFR 1.501

Hon. Commissioner of Patents and Trademarks
 Washington, D. C. 20231

Sir:

The undersigned herewith submits in the above identified patent the following prior art (including copies thereof) which is pertinent and applicable to the patent and is believed to have a bearing on the patentability of at least claims 1 - 3 thereof:

Weid et al	U.S. 2,585,416	April 15, 1933
McGee	U.S. 2,722,794	May 1, 1934
Paulk et al	U.S. 3,625,291	June 16, 1936

More particularly, each of the references discloses a cutting tool strikingly similar to the device of Smith in having pivotal handles with cutting blades and a pair of dies. While it is felt that each of the references has a bearing on the patentability of claims 1-3 of the Smith patent, the subject matter claimed differs from the references and is believed patentable thereover.

Insofar as claims 1 and 2 are concerned, none of the references show the particular dies claimed and the structure of these claimed dies would not have been obvious to a person of ordinary skill in the art at the time the invention was made.

As to claim 3, while the cutting blades required by this claim are shown in Paulk et al, the remainder of the claimed structure is found only in Weid et al. A person of ordinary skill in the art at the time the invention was made would not have found it obvious to substitute the cutting blades of Paulk et al for those of Weid et al. In fact, the disclosure of Weid et al would lead a person of ordinary skill in the art away from the use of cutting blades such as shown in Paulk et al.

The reference to McGee, while generally similar, lacks the particular cooperation between the elements which is specifically set forth in each of claims 1-3.

Respectfully submitted,

William Green

William Green
 Attorney for Patent Owner

2206 Handling of Prior Art Citations [R-4]

Prior art citations received in the Patent and Trademark Office will be forwarded by the Correspondence and Mail Division to the Reexamination Preprocessing Unit for handling.

If the prior art citation relates to a patent currently undergoing reexamination, the Reexamination Preprocessing Unit should promptly forward the prior art citation to the examining group assigned with the reexamination proceeding. If the citation is filed after the date of an order for reexamination, the citation is retained in the examining group by the group's reexamination clerk until the reexamination is terminated. Note 37 CFR 1.501(a) and MPEP 2294. At that time, the citations are processed for placement in the patent file. Citations filed after the date of an order for examination will not be considered by the examiner during the reexamination.

It is the responsibility of the Reexamination Preprocessing Unit personnel where no reexamination proceeding is present, or the examining group personnel where a reexamination proceeding is present, to determine whether a citation forwarded to them meets the requirements of the law and rules and to enter it into the patent file at the appropriate time if it is proper.

♦CITATION QUALIFIES FOR ENTRY UNDER 37 CFR 1.501**I. Citations filed by third party.****A. Prior Order in any pending Reexamination Proceeding**

If the citation is proper (i.e., limited to patents and printed publications) and is filed prior to an order in a reexamination proceeding, it should be entered into the patent file. If the citation includes an indication of service on the patent owner, the citation is merely timely entered and no notice of such entry is sent to any party. If the citation does not include an indication of service, the patent owner should be notified that a citation of prior art has been entered into the patent file. If a duplicate copy of the citation was filed, the duplicate copy should be sent to the patent owner along with the notification. If no duplicate copy is present, no copy will be sent with the notification. Wording similar to the following should be used:

A citation of prior art under 35 U.S.C. 301 and 37 CFR 1.501 has been filed on _____ in your patent number _____ entitled _____.

This notification is being made to inform you that the citation of prior art has been placed in the file wrapper of the above identified patent.

The person submitting the prior art:

1. was not identified
2. is confidential
3. is _____

B. After Order in Any Pending Reexamination Proceeding

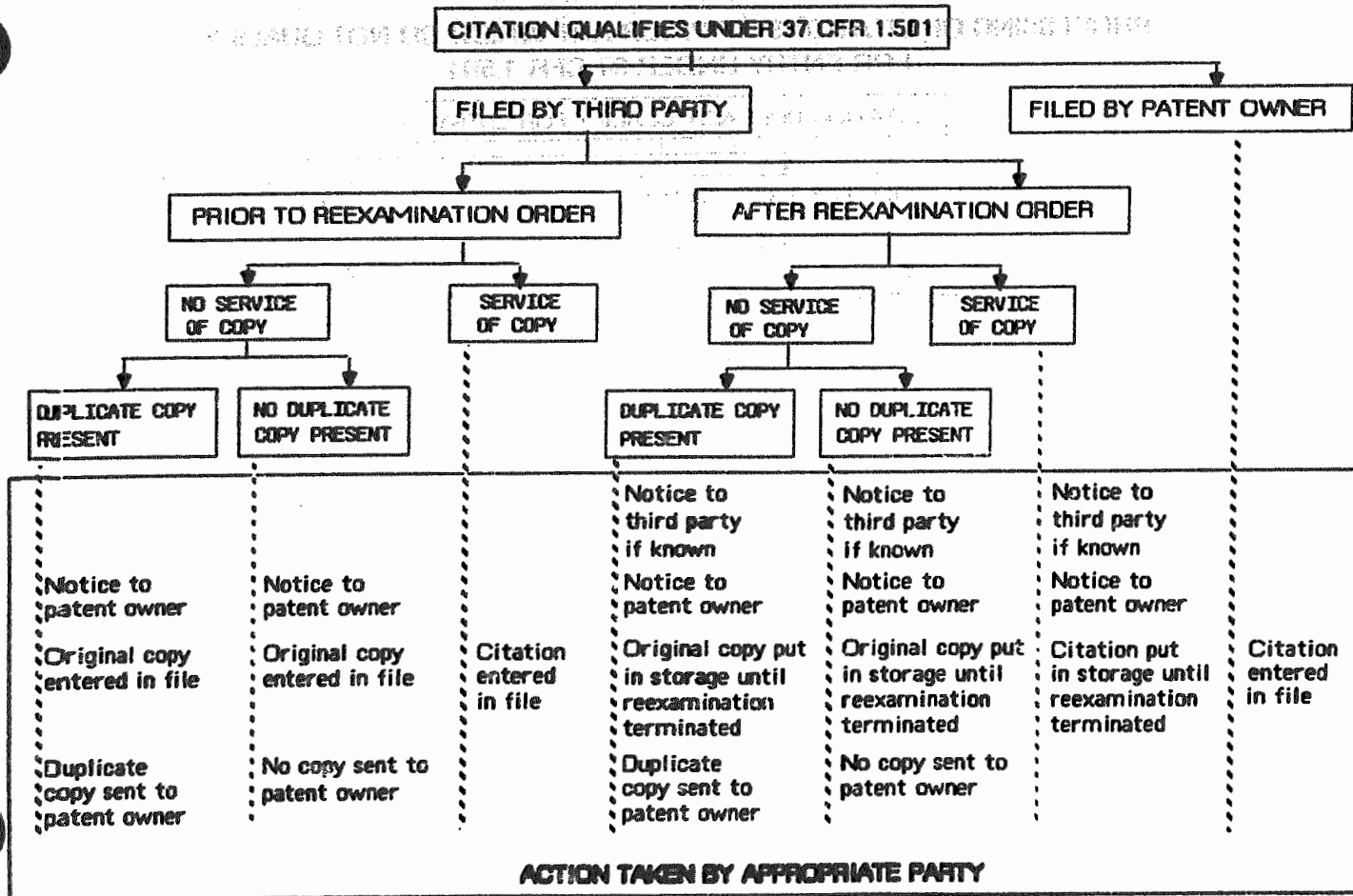
If the citation is proper but is filed after an order for reexamination in a pending reexamination, the citation is not entered at the time because of the ongoing reexamination. The patent owner and sender (if known) should be alerted of this fact. Such notification is important to enable the patent owner to consider submitting the prior art under 37 CFR 1.555 during the reexamination. Such notification will also enable the third party sender to consider the desirability of filing a separate request for reexamination. If the citation does not include service of a copy on the patent owner and a duplicate copy is submitted, the duplicate copy should be sent to the patent owner along with the notification. If a duplicate copy is not present, no copy will accompany the notification to the patent owner. In this situation the original copy (in storage) should be made available for copying by the patent owner. If the citation includes service of a copy on the patent owner, the citation is placed in storage and not entered until the reexamination is terminated. The patent owner and third party sender (if known) should be given notice of this action.

II. Citation filed by patent owner

If a proper prior art citation is filed by the patent owner it should be entered in the file. This is true whether the citation is filed prior to or after an order for reexamination has been mailed. No notification to the patent owner is necessary.

The following diagram shows the various situations which can occur when a proper prior art citation is filed and the action to be taken for each alternative situation:

PROCESSING OF CITATIONS OF PRIOR ART WHICH QUALIFY FOR ENTRY UNDER 37 CFR 1.501



CITATION DOES NOT QUALIFY FOR ENTRY UNDER 37 CFR 1.501

I. Citation by third party

If the citation is not proper (i.e., it is not limited to patents or printed publications), it should not be entered in the patent file. The sender (if known) and the patent owner in all cases should be notified that the citation is improper and that it is not being entered in the patent file. The handling of the citation will vary depending on the particular following situation.

A. Service of Copy Included

Where the citation includes an indication of service of copy on the patent owner and the identity of the third party sender is known, the original citation papers should be returned to the third party sender along with the notification of nonentry. If the identity of the third party sender is not known, the original citation papers should be discarded.

B. Service of Copy Not Included: Identity of Third Party Sender Known

Where the citation does not include an indication of service on the patent owner, the identity of the third party sender is known, and a duplicate copy of the citation is present, the original citation papers should be

returned to the third party sender and the duplicate copy should be sent to the patent owner along with the notification of nonentry. If the duplicate copy required in 37 CFR 1.501(c) is not present, the original citation papers should be sent to the PATENT OWNER along with the notification of nonentry.

C. Service of Copy Not Included: Identity of Third Party Sender Not Known

Where the citation does not include an indication of service, the identity of the third party sender is not known, and a duplicate copy of the citation is or is not present, the duplicate copy (if present) should be discarded and the original citation papers should be sent to the patent owner along with the notification of nonentry.

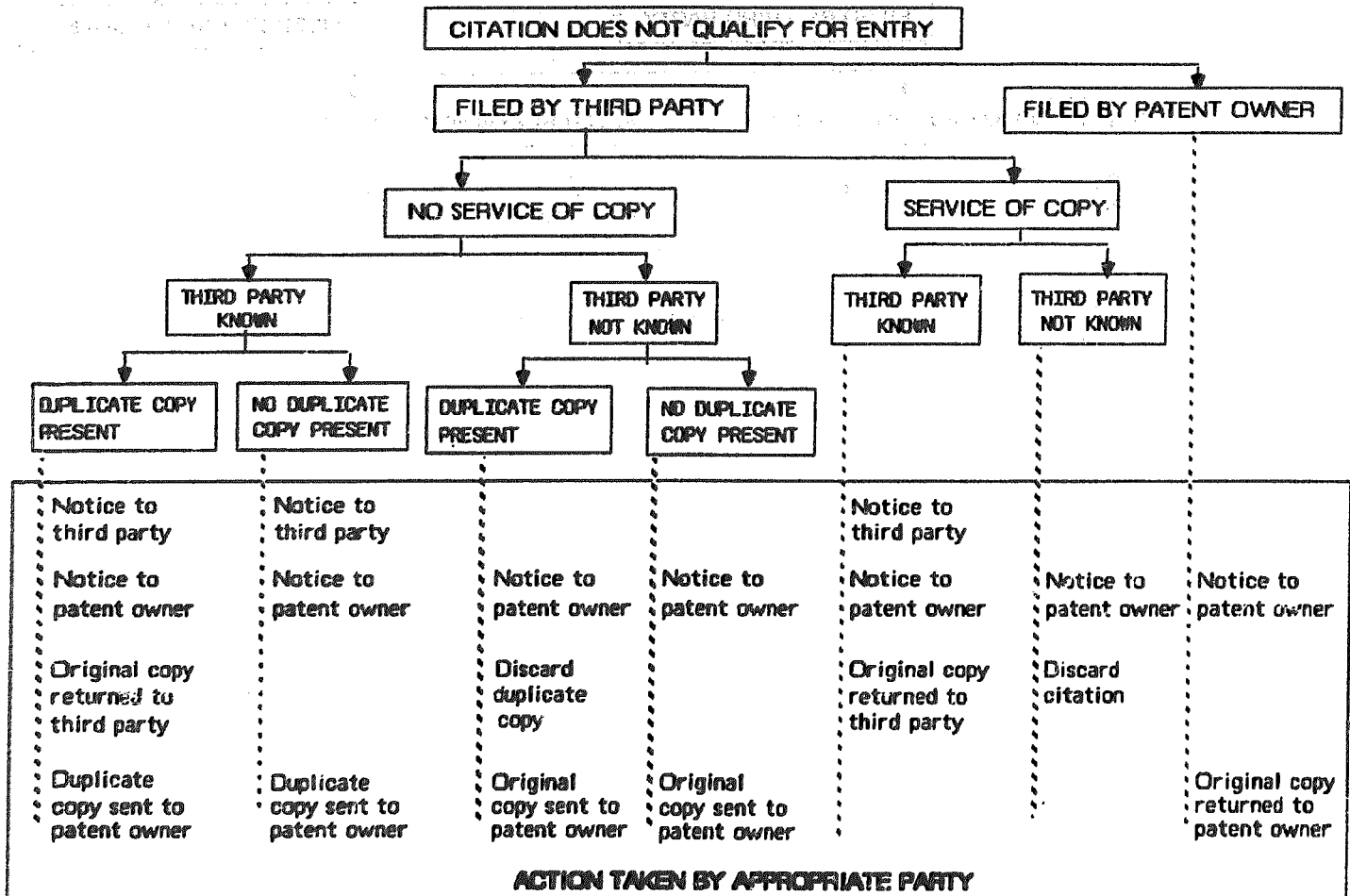
II. Citation filed by the patent owner

If an improper prior art citation is filed by the patent owner, it should not be entered in the file. This is true whether the citation is filed prior to or after an order for reexamination. The patent owner should be notified of the nonentry and the citation papers should be returned to the patent owner along with the notification.

The following diagram shows the various situations which can occur when an improper prior art citation

is filed and the action to be taken for each alternative situation:

PROCESSING OF CITATIONS OF PRIOR ART WHICH DO NOT QUALIFY FOR ENTRY UNDER 37 CFR 1.501



Any unusual problems should be brought to the attention of the Office of the Assistant Commissioner for Patents.

2207 Entry of Court Decisions in Patent Files [R-4]

The Solicitor's Office processes notices under 35 U.S.C. 290 received from the clerks of the various courts and enters them in the patent file.

It is, however, considered desirable to all parties concerned that the entire court decision be supplied to the Patent and Trademark Office for entry into the patent file. Such entry of submitted court decisions is performed by the Files Repository personnel unless a reexamination proceeding is pending.

It is important for the Office to be aware of any prior court proceedings in which a patent undergoing reexamination is or was involved, and any results of such proceedings. 37 CFR 1.565(a) requires the patent owner to provide the Office with information regarding the existence of any such proceedings and the results thereof, if known. Ordinarily, no submissions of any kind by third parties filed after the date of the

order are placed in the reexamination or patent file while the reexamination proceeding is pending. However, in order to ensure a complete file, with updated status information regarding prior proceedings regarding a patent undergoing reexamination, the Office will accept at any time copies of notices of suits and other proceedings involving the patent and copies of decisions or other court papers, or papers filed in the court, from litigations or other proceedings involving the patent from the parties involved or third parties for placement in the patent file. However, such submissions must be without additional comment. Persons making such submissions must limit the submission to the notification and not include further arguments or information. Any proper submission will be promptly placed on record in the patent file. See MPEP sections 2240 and 2242 for handling of requests for reexamination of patents involved in litigation.

2208 Service of Citation on Patent Owner [R-4]

A copy of any submission of a citation of prior art patents or printed publications in a patent file should be served on the patent owner so that the patent owner is fully informed as to the content of his or her patent file wrapper. See MPEP section 2206 for handling of prior art citations.

The service to the patent owner should be addressed to the correspondence address as set forth in 37 CFR 1.33(c).

2209 Reexamination [R-4]

Procedures for reexamination of issued patents began on July 1, 1981, the date when the reexamination provisions of Public Law 96-517 came into effect.

The reexamination statute and rules permit any person to file a request for reexamination containing certain elements and the fee required under 37 CFR 1.20(c). The Patent and Trademark Office initially determines if "a substantial new question of patentability" (35 U.S.C. 303(a)) is presented. If such a new question has been presented, reexamination will be ordered. The reexamination proceedings are very similar to regular examination procedures in patent applications except for certain limitations as to the kind of rejections which may be made. When the reexamination proceedings are terminated, a certificate is issued which indicates the status of all claims following the reexamination.

The following sections of this Chapter explain the details of reexamination.

The intent of the reexamination procedures covered in this Chapter include the following:

1. To provide procedures for reexamination of patents.
2. To implement reexamination in an essentially ex parte manner.
3. To minimize the processing costs and complexities of reexamination.
4. To maximize respect for the reexamined patent.
5. To provide procedures for prompt and timely determinations by the Office in accordance with the "special dispatch" requirements of 35 U.S.C. 305.

The basic characteristics of reexamination are as follows:

1. Anyone can request reexamination at any time during the period of enforceability of the patent.
2. Prior art considered during reexamination is limited to prior art patents or printed publications applied under the appropriate parts of 35 U.S.C. 102 and 103.
3. A substantial new question of patentability must be presented for reexamination to be ordered.
4. If ordered, the actual reexamination proceeding is ex parte in nature.
5. Decision on the request must be made within three months from initial filing and remainder of proceedings must proceed with "special dispatch".
6. If ordered, a reexamination proceeding will be conducted to conclusion and issuance of certificate.

7. The scope of a claim cannot be enlarged by amendment.

8. All reexamination and patent files are open to the public.

2210 Request for Reexamination [R-4]

35 U.S.C. 302. Request for reexamination. Any person at any time may file a request for reexamination by the Office of any claim of a patent on the basis of any prior art cited under the provisions of section 301 of this title. The request must be in writing and must be accompanied by payment of a reexamination fee established by the Commission of Patents pursuant to the provisions of section 41 of this title. The request must set forth the pertinency and manner of applying cited prior art to every claim for which reexamination is requested. Unless the requesting person is the owner of the patent, the Commissioner promptly will send a copy of the request to the owner of record of the patent.

37 CFR 1.510 Request for reexamination. (a) Any person may, at any time during the period of enforceability of a patent, file a request for reexamination by the Patent and Trademark Office of any claim of the patent on the basis of prior art patents or printed publications cited under § 1.501. The request must be accompanied by the fee for requesting reexamination set in § 1.20(c).

(b) Any request for reexamination must include the following parts:

- (1) A statement pointing out each substantial new question of patentability based on prior patents and printed publications.
- (2) An identification of every claim for which reexamination is requested, and a detailed explanation of the pertinency and manner of applying the cited prior art to every claim for which reexamination is requested. If appropriate, the party requesting reexamination may also point out how claims distinguish over cited prior art.
- (3) A copy of every patent or printed publication relied upon or referred to in paragraph (b) (1) and (2) of this section accompanied by an English language translation of all the necessary and pertinent parts of any non-English language patent or printed publication.

(4) The entire specification (including claims) and drawings of the patent for which reexamination is requested must be furnished in the form of cut-up copies of the original patent with only a single column of the printed patent securely mounted or reproduced in permanent form on one side of a separate paper. A copy of any disclaimer, certificate of correction, or reexamination certificate issued in the patent must also be included.

(5) A certification that a copy of the request filed by a person other than the patent owner has been served in its entirety on the patent owner at the address as provided for in § 1.33(c). The name and address of the party served must be indicated. If service was not possible, a duplicate copy must be supplied to the Office.

(c) If the request does not include the fee for requesting reexamination or all of the parts required by paragraph (b) of this section, the person identified as requesting reexamination will be so notified and given an opportunity to complete the request within a specified time. If the fee for requesting reexamination has been paid but the defect in the request is not corrected within the specified time, the determination whether or not to institute reexamination will be made on the request as it then exists. If the fee for requesting reexamination has not been paid, no determination will be made and the request will be placed in the patent file as a citation if it complies with the requirements of § 1.501(a).

(d) The filing date of the request is: (1) the date on which the request including the entire fee for requesting reexamination is received in the Patent and Trademark Office; or (2) the date on which the last portion of the fee for requesting reexamination is received.

(e) A request filed by the patent owner, may include a proposed amendment in accordance with § 1.121(f).

(f) If a request is filed by an attorney or agent identifying another party on whose behalf the request is being filed, the attorney or agent must have a power of attorney from that party or be acting in a representative capacity pursuant to § 1.34(a).

Any person, at any time during the period of enforceability of a patent, may file a request for reexamination by the Patent and Trademark Office of any claim of the patent based on prior art patents or printed publications. The request must include the elements set forth in *37 CFR 1.510(b) (see *MPEP 2214) and be accompanied by the fee as set forth in *37 CFR 1.20(c). No attempt will be made to maintain a requester's name in confidence.

After the request for reexamination, including the entire fee for requesting reexamination, is received in the Patent and Trademark Office, no abandonment, withdrawal, or striking, of the request is possible, regardless of who requests the same. In some limited circumstances after a court decision, a reexamination order may be vacated, see *MPEP 2286.

2211 Time for Requesting Reexamination [R-4]

Under 37 CFR 1.510(a), any person may, at any time during the period of enforceability of a patent, file a request for reexamination. This period was set by rule since no useful purpose was seen for expending Office resources on deciding patent validity questions in patents which cannot be enforced. *In this regard see *Patlex Corporation v. Mossinghoff*, 225 USPQ 243, 249 (Fed. Cir. 1985). The period of enforceability is the term of the patent, normally 17 years from the issue date for utility patents, plus the 6 years after the end of the term during which infringement litigation may be instituted. In addition, if litigation is instituted within the period of the statute of limitations, requests for reexamination may be filed after the statute of limitations has expired, as long as the patent is still enforceable against someone.

2212 Persons Who May File a Request

35 U.S.C. 302 and 37 CFR 1.510(a) both indicate that "any person" may file a request for reexamination of a patent. Accordingly, there are no persons who are excluded from being able to seek reexamination. Corporations and/or governmental entities are included within the scope of the term "any person". The patent owner can ask for reexamination which will be limited to an ex parte consideration of prior patents or printed publications. If the patent owner wishes to have a wider consideration of issues by the Office, including matters such as prior public use or sale, the patent owner may file a reissue application. It is also possible for the Commissioner to initiate reexamination on the Commissioner's own initiative under 37 CFR 1.520. Reexamination will be initiated by the Commissioner on a very limited basis such as where a general public policy question is at issue and there is no interest by "any other person". Some of the persons likely to use reexamination are patentees, licensees, potential licensees, attorneys without identification of their real client in interest, infringers, potential exporters, patent litigants, interference applicants and International Trade Commission respondents. The persons's name who files the request will not be maintained in confidence.

2213 Representative of Requester [R-4]

Where an attorney or agent files a request for an identified client (the requester), he or she may act under either a power of attorney, or act in a representative capacity under *37 CFR 1.34(a), *37 CFR 1.510(f). While the filing of the power of attorney is desirable, processing of the reexamination request will not be delayed due to its absence.

If any question of authority to act is raised, proof of authority may be required by the Office.

All correspondence for a requester other than the patent owner should be addressed to the representative of the requester unless a specific indication is made to forward correspondence to another address.

If the request is filed by a person on behalf of the patent owner, correspondence will be directed to the patent owner at the address as indicated in 37 CFR 1.33(c), regardless of the address of the person filing the request. See *MPEP 2222 for a discussion of who receives correspondence on behalf of a patent owner and how changes in the correspondence address are to be made.

A patent owner may not be represented during a reexamination proceeding by an attorney or other person who is not registered to practice before the Office since those individuals are prohibited by 37 CFR 1.33(c) from signing amendments and other papers filed in a reexamination proceeding on behalf of the patent owner.

2214 Content of Request [R-4]

*37 CFR 1.510 Request for reexamination.

"(a) Any person may, at any time during the period of enforceability of a patent, file a request for reexamination by the Patent and Trademark Office of any claim of the patent on the basis of prior art patents or printed publications cited under § 1.501. The request must be accompanied by the fee for requesting reexamination set in § 1.20(c)."

37 CFR 1.510(a) requires the payment of a fee specified in 37 CFR 1.20(c).

37 CFR 1.510(b) sets forth the required elements of a request for reexamination. The elements are as follows:

"(1) a statement pointing out each substantial new question of patentability based on prior patents and printed publications."

This statement should clearly point out what the requester considers to be the substantial new question of patentability which would warrant a reexamination. The cited prior art should be listed on a form PTO-1449 by the requester. See also *MPEP 2217.

"(2) An identification of every claim for which reexamination is requested, and a detailed explanation of the pertinency and manner of applying the cited prior art to every claim for which reexamination is requested. If appropriate the party requesting reexamination may also point out how claims distinguish over cited prior art."

The request should apply the cited prior art to every claim for which reexamination is requested. If the request is filed by the patent owner, he or she may also indicate how the claims distinguish from the cited prior art patents and printed publications.

"(3) A copy of every patent or printed publication relied upon or referred to in paragraph (b)(1) and (2) of this section accompanied by an English language translation of all the necessary and pertinent parts of any non-English language patent or printed publication."

A copy of each cited patent or printed publication, as well as a translation of each non-English document is required so that all materials will be available to the examiner for full consideration. See *MPEP* 2218.

"(4) The entire specification (including claims) and drawings of the patent for which reexamination is requested must be furnished in the form of cut-up copies of the original patent with only a single column of the printed patent securely mounted or reproduced in permanent form on one side of a separate paper. A copy of any disclaimer, certificate of correction, or reexamination certificate issued in the patent must also be included."

A copy of the patent, for which reexamination is requested, should be provided in a single column

paste-up format so that amendments can be easily entered and to ease printing. See also *MPEP* 2219.

"(5) A certification that a copy of the request filed by a person other than the patent owner has been served in its entirety on the patent owner at the address as provided for in § 1.33(c). The name and address of the party served must be indicated. If service was not possible, a duplicate copy must be supplied to the Office."

If the request is filed by a person other than the patent owner, a certification that a copy of the request papers has been served on the patent owner must be included. The request should be as complete as possible since there is no guarantee that the examiner will consider other prior art when making the decision on the request. Also, if no statement is filed by the patent owner, no later reply may be filed by the requester. See also *MPEP* 2220.

FORM PTO - 1485 U. S. DEPARTMENT OF COMMERCE
 PATENT AND TRADEMARK OFFICE

**REQUEST FOR REEXAMINATION TRANSMITTAL FORM
 IN THE UNITED STATES PATENT AND TRADEMARK OFFICE**

Address to: Commissioner of Patents and Trademarks
 Box Reexam
 Washington, D. C. 20231

Attorney Docket No. _____
 Date: _____

- This is a request for reexamination pursuant to 37 CFR 1.510 of _____ issued _____
- The name and address of the person requesting reexamination is:

- a. A check in the amount of \$1770 is enclosed to cover the reexamination fee, 37 CFR 1.20(c); or
 b. The Commissioner is hereby authorized to charge \$1770 to the deposit account of _____ deposit account no. _____
- Any refund should be made by check or by credit to deposit account no. _____ 37 CFR 1.26 (c)
- A cut-up copy of the patent to be reexamined or a permanent reproduction thereof with only a single column of the printed patent securely mounted on one side of a separate paper is enclosed. 37 CFR 1.510 (b) (4)
- A copy of any disclaimer, certificate of correction or reexamination certificate issued in the patent is included.
- Reexamination of claim(s) _____ is requested.
- A copy of every patent or printed publication relied upon is submitted herewith including a listing thereof on Form PTO - 1449.
- An English language translation of all necessary and pertinent non-English language patents or printed publications is included.
- The attached detailed request includes at least the following items:
 - A statement identifying each substantial new question of patentability based on prior patents and printed publications. 37 CFR 1.510 (b) (1)
 - An identification of every claim for which reexamination is requested, and a detailed explanation of the pertinency and manner of applying the cited prior art to every claim for which reexamination is requested. 37 CFR 1.510 (b) (2)
- A proposed amendment is included (only where the patent owner is the requester). 37 CFR 1.510 (e)
- a. It is certified that a copy of this request (if filed by other than the patent owner) has been served in its entirety on the patent owner as provided in 37 CFR 1.33 (c). The name and address of the party served and the date of service are:

 Date of Service: _____ ; of
 b. A duplicate copy is enclosed since service was not possible.
- The requester's correspondence address (if different from Number 2 above):

Authorized Signature
 Patent Owner
 Third Party Requester
 Attorney or Agent for Patent Owner
 Attorney or Agent for Requester

Sir:

Pat. No. 4,444,444

Reexamination under 35 U.S.C. 302 - 307 and 37 CFR 1.510 is requested of United States patent number 4,444,444 which issued on July 7, 1977 to Joseph Smith. This patent is still enforceable.

Claims for which reexamination is requested

Reexamination is requested of claims 1-3 of the Smith patent in view of the earlier United States patent document number 594,225 to Berridge which is listed on attached form PTO-1449 and of which a copy is enclosed.

Reexamination is also requested of claim 4 of the Smith patent in view of the earlier Swiss patent document 80,555 to Hotopp in view of the disclosure in "American Machinist" magazine, October 16, 1950 issue, on page 169. An English translation of the German language Swiss document is enclosed. Copies of the Hotopp and "American Machinist" documents are also enclosed.

Explanation of pertinency and manner of applying cited prior art to every claim for which reexamination is requested

Claims 1-3 of the Smith patent are considered to be fully anticipated under 35 U.S.C. 102 by the prior art patent document to Berridge.

Claim 3 of the Smith patent, which is more specific than claims 1 and 2 in all features, is set forth below with an explanation as to how the prior art patent document to Berridge meets all the recited features.

Smith, claim 3:

"In a cutting and crimping tool"

(Berridge page 1, lines 10-13 states his invention is "an improved tool for crimping metal, which in its preferred form of embodiment is combined with a cutting-tool or shears, forming therewith a combination-tool.")

"the combination with the cutting blades"

(elements 4 and 5 in Berridge)

"and their pivoted handles"

(elements 1 and 2 in Berridge)

"of bosses arranged at an angle to and offset from the plane of the shear blades"

("bosses" as used in the Smith claim is used to mean a projection. The dies 6 and 7 of the Berridge prior art patent document are arranged at the same angle to the plane of the shear blades and are arranged at an angle in the same manner as shown in the drawing figures of the Smith patent.)

"and crimping dies formed on the meeting faces of said bosses"

(The dies 6 and 7 (bosses) of Berridge have meeting die-faces 12 and 13 (page 1, line 63) for performing crimping operations (page 1, lines 70 - 74.))

Claim 4 of the Smith patent is considered to be unpatentable under 35 U.S.C. 103 in view of the prior art Swiss patent document to Hotopp in view of the prior art magazine publication on page 169 of the October 16, 1950 issue of American Machinist magazine.

Claim 4 of Smith reads as quoted below

"In a cutting and crimping tool,"

(The prior art Swiss patent document to Hotopp discloses cutting jaws (column 1, line 8) and dies "b" and "c" which may be used for crimping.)

"the combination of a pair of pivoted handles"

(elements "a" and "e" in the prior art document to Hotopp).

"with cutting jaws at one end and crimping dies on the opposite side of the pivot"

(The prior art document to Hotopp discloses cutting jaws (column 1, line 8) and crimping dies "b" and "c" on the opposite side of pivot "d" from the cutting jaws.)

"and rounded prongs projecting from said cutting jaws"

(Rounded prongs are not specifically disclosed by Hotopp but are shown to be old in the art by the illustration in "American Machinist" magazine under the title "Double-Purpose Pliers Don't Break Insulation". To provide the cutting jaws of Hotopp with rounded prongs as shown in the "American Machinist" magazine is considered to be a matter which would have been obvious to a person having ordinary skill in the art at the time the invention was made.)

Statement pointing out substantial new question of patentability

The prior art documents referred to above were not of record in the file of the Smith patent. Since the claims in the Smith patent are not allowable over these prior art documents, a substantial new question of patentability is raised. Further, these prior art documents are closer to the subject matter of Smith than any prior art which was cited during the prosecution of the Smith patent.

John Doe

 JOHN DOE
 Attorney for requester

***Form PTO-1465 should be helpful to persons filing requests for reexamination. The use of this form is encouraged but its use is not a requirement of the law or the rules.

2215 Fee for Requesting Reexamination [R-4]

37 CFR 1.20 Post-issuance fees

(c) For filing a request for reexamination—*\$1,770.00*

37 CFR 1.26 Refunds. (a) Money paid by actual mistake or in excess, such as a payment not required by law, will be refunded, but a mere change of purpose after the payment of money, as when a party desires to withdraw an application, an appeal, or a request for oral hearing, will not entitle a party to demand such a return. Amounts of one dollar or less will not be returned unless specifically demanded within a reasonable time, nor will the payer be notified of such amount; amounts over one dollar may be returned by check or, if requested, by credit to a deposit account.

(b) [Reserved]

(c) If the Commissioner decides not to institute a reexamination proceeding, a refund of *\$1,300.00* will be made to the requester of the proceeding. Reexamination requesters should indicate whether any refund should be made by check or by credit to a deposit account.

In order for a request to be accepted, be given a filing date and be published in the *Official Gazette* it is necessary that the *\$1,770.00* fee for filing a request for reexamination be paid. If the fee is not paid, the request will be considered to be incomplete.

If the request for reexamination is denied or vacated, a refund of *\$1,300.00* in accordance with 37 CFR 1.26(c) will be made to the identified requester.

As stated in 37 CFR 1.510 (c) and (d)

(c) If the request does not include the fee for requesting reexamination or all of the parts required by paragraph (b) of this section, the person identified as requesting reexamination will be so notified and given an opportunity to complete the request within a specified time. If the fee for requesting reexamination has been paid but the defect in the request is not corrected within the specified time, the determination whether or not to institute reexamination will be made on the request as it then exists. If the fee for requesting reexamination has not been paid, no determination will be made and the request will be placed in the patent file as a citation if it complies with the requirements of § 1.501(a).

(d) The filing date of the request is: (1) the date on which the request including the entire fee for requesting reexamination is received in the Patent and Trademark Office; or (2) the date on which the last portion of the fee for requesting reexamination is received.

Where the entire *\$1,770.00* fee is not paid, the request, if otherwise proper, should be treated as a citation of prior art under *37 CFR 1.501*.

2216 Substantial New Question of Patentability [R-4]

37 CFR 1.510(b)(1) requires that the request include "a statement pointing out each substantial new question of patentability based on prior patents and printed publications." Under 35 U.S.C. 304 the Office must determine whether "a substantial new question of patentability" affecting any claim of the patent has been raised. If such a new question is found, an order for reexamination of the patent is issued. It is therefore clear that it is extremely important that the request clearly set forth in detail exactly what the requester considers the "substantial new question of patentabil-

ity" to be in view of prior patents and printed publications. The request should point out how any questions of patentability raised are substantially different from those raised in the earlier prosecution of the patent before the Office or in prior litigation before the federal courts. See MPEP 2242. If a substantial new question of patentability is found as to one claim, all claims will be reexamined during the ex parte reexamination process. See also MPEP 2243.

Questions relating to grounds of rejection other than those based on prior patents or printed publications, such as on public use, on sale, or fraud should not be included in the request and will not be considered by the examiner if included.

Affidavits or declarations which explain the contents or pertinent dates of prior patents or printed publications in more detail may be considered in reexamination. See MPEP 2258.

2217 Statement Applying Prior Art [R-4]

The third sentence of 35 U.S.C. 302 indicates that the "request must set forth the pertinency and manner of applying cited prior art to every claim for which reexamination is requested." 37 CFR 1.510(b)(2) requires that the request include "An identification of every claim for which reexamination is requested, and a detailed explanation of the pertinency and manner of applying the cited prior art to every claim for which reexamination is requested." If the request is filed by the patent owner, the request for reexamination may also point out how claims distinguish over cited prior art.

The prior art applied may only consist of prior patents or printed publications. Substantial new questions of patentability may be based upon the following portions of 35 U.S.C. 102:

"(a) . . . patented or described in a printed publication in this or a foreign country, before the invention thereof by the applicant for patent, or"

"(b) the invention was patented or described in a printed publication in this or a foreign country . . . more than one year prior to the date of the application for patent in the United States, or"

"(d) the invention was first patented or caused to be patented, or was the subject of an inventor's certificate, by the applicant or his legal representatives or assigns in a foreign country prior to the date of the application for patent in this country on an application for patent or inventor's certificate filed more than twelve months before the filing of the application in the United States, or"

"(e) the invention was described in a patent granted on an application for patent by another filed in the United States before the invention thereof by the applicant for patent, or on an international application by another who has fulfilled the requirements of paragraphs (1), (2), and (4) of section 371(c) of this title before the invention thereof by the applicant for patent, or"

Similarly, substantial new questions of patentability may also be made under 35 U.S.C. 103 which are based on the above indicated portions of *35 U.S.C. 102*. *Public Law 98-622 enacted on November 1984, changed a complex body of case law and amended 35 U.S.C. 103 by adding a new sentence

which provides that the subject matter developed by another which qualifies as prior art only under 35 U.S.C. 102(f) or (g) shall not preclude patentability under 35 U.S.C. 103, provided the subject matter and the claimed invention were commonly owned at the time the invention was made. This change overrules the practice under *** *In re Bass*, 177 USPQ 178, (CCPA, 1973) wherein an earlier invention by a co-employee was treated as § 103 prior art and applies through § 102(g), and possibly through § 102(f) with respect to a later invention made by another employee of the same organization. Accordingly, substantial new questions of patentability may be found under 35 U.S.C. 102(f)/103 or (g)/103 based on the prior invention of another disclosed in a patent or printed publication. See Chapter 2100.

Substantial new questions of patentability based on matters other than patents or printed publications, such as public use or sale, inventorship, *35 U.S.C. 101, *35 U.S.C. 112, fraud, etc. will not be considered when making the determination on the request and should not be presented in the request. A prior patent or printed publication cannot be properly applied as a ground for reexamination if it is merely used as evidence of alleged prior public use or sale, insufficiency of disclosure, etc. The prior patent or printed publication must be applied directly to claims under *35 U.S.C. 103 and/or an appropriate portion of *35 U.S.C. 102 or relate to the application of other prior *patents or printed publications to claims on such grounds.

The statement applying the prior art may, where appropriate, point out that claims in the patent for which reexamination is requested are entitled only to the filing date of the patent and are not supported by an earlier foreign or United States patent application whose filing date is claimed. For example, under 35 U.S.C. 120, the effective date of the claims would be the filing date of the application which resulted in the patent. Therefore, intervening patents or printed publications are available as prior art under *In re Russetta*, 118 USPQ 101 (CCPA, 1958).

Double patenting is normally proper for consideration in reexamination.***

The mere citation of new patents or printed publications without an explanation does not comply with 37 CFR 1.510(b)(2). An explanation of how the cited patents or printed publications are applied to all claims which the requester considers to merit reexamination should be presented. This not only sets forth the requester's position to the Office, but also to the patent owner.

Affidavits or declarations which explain the contents or pertinent dates of prior patents or printed publications in more detail may be considered in reexamination. See *MPEP 2258.

ADMISSIONS

Admissions by the patent owner as to matters affecting patentability may be utilized in a reexamination proceeding, see 37 CFR 1.106(c).

The rules, 37 CFR 1.106(c), provide that admissions by the patent owners as to matters affecting patentability may be utilized in a reexamination proceeding. The Supreme Court when discussing 35 U.S.C. 103 in *Graham v. John Deere Co.*, 148 USPQ 459 (1966) stated, *inter alia*, "the scope and content of the prior art are to be determined". Accordingly, a proper evaluation of the scope and content of the prior art in determining obviousness would require a utilization of any "admission" by the patent owner whether such admission results from a patent or printed publication or from some other source. Such admission may be used in determining whether a patent or printed publication raises a "substantial new question of patentability" in the determination under 37 CFR 1.515. An admission as to what is in the prior art is simply that, an admission, and requires no independent proof. While the scope and content of the admission may sometimes have to be determined, this can be done from the record and from the paper file in the same manner as with patents and printed publications. To ignore an admission by the patent owner, from any source, and not use the admission as prior art in conjunction with patents and printed publications in reexamination would make it impossible for the examiner to properly determine the scope and content of the prior art as required by *Graham*, supra.

The Board of Appeals upheld the use of an admission in a reexamination proceeding in *Ex parte Seiko Koko Kabushiki Kaisha*, 225 USPQ 1260 (1984) and in *Ex parte Kimbell*, 226 USPQ 688 (1985). In *Seiko*, the Board relied on *In re Nomiya*, 184 USPQ 607 (CCPA 1975) holding an admission of prior art in the specification of the patent undergoing reexamination is conceded prior art which may be considered for any purpose, including use as evidence of obviousness under 35 U.S.C. 103. In *Kimbell* the Board referred to the patent specification and noted the admission by appellant that an explosion-proof housing was well known at the time of the invention.

It is noted, however, that the Board in *Ex parte Horton*, 226 USPQ 697 (1985) reversed the examiner, holding that for an admission to form some or all of the basis for a prior art rejection in reexamination proceedings, such admissions must necessarily relate to patents or printed publications. The Board further held that the admission, if any, in the patent file related to public use and resolution of this issue is outside the scope of reexamination. It is further noted that the Board in *Ex parte Blackburn*, Appeal No. 587-96 (1985), Patent No. 4,154,382, refused to sustain a rejection based on admissions contained in the patent specification and the reexamination file. The Board held the admission in the patent specification is not prior art of the type permitted by 35 U.S.C. 301, i.e., a printed publication or patent. The Board held the admission in the reexamination file to be drawn to public use or sale and outside the scope of reexamination. The Board held 37 CFR 1.106(c) must be interpreted as being with respect to admissions pertaining to patents or printed publications.

As noted in the above decisions, in reexamination proceedings admissions can reside in the patent file (made of record during the prosecution of the patent application) or may be presented during the pendency of the reexamination proceeding. With respect to admissions residing in the patent file, the above decisions appear to be in conflict. The *Seiko* and *Kimbell* decisions permit the use of admissions contained in the patent specification as a basis for rejecting a claim. Neither decision requires that the admission be drawn to a patent or printed publication. The *Horton* and *Blackburn* decisions, however, reject the use of admissions contained in the patent file when the admission is not drawn to a patent or printed publication. In the absence of a definitive decision by the Board or the courts, the examiner is authorized to utilize admissions by the patent owner as to any matter affecting patentability to determine the scope and content of the prior art in conjunction with patents or printed publications which raise a substantial new question of patentability for purposes of ordering reexamination or in a prior art rejection whether such admissions result from patents or printed publications or from some other source. Any prior art (e.g., on sale, public use, etc.) established in the prior record or in court may be used by the examiner in combination with patents or printed publications in a reexamination proceeding.

2218 Copies of Prior Art

It is required that a copy of each patent or printed publication relied upon or referred to in the request be filed with the request (37 CFR 1.510(b)(3)). If any of the documents are not in the English language, an English language translation of all necessary and pertinent parts is also required. An English language summary or abstract of a non-English language document is usually not sufficient.

It is also helpful to include copies of the prior art considered during earlier prosecution of the patent for which reexamination is requested. The presence of both the old and the new prior art allows a comparison to be made to determine whether a substantial new question of patentability is indeed present. Copies of parent applications should also be submitted if the parent application relates to the alleged substantial new question of patentability; for example, if the patent is a continuation-in-part and the question of patentability relates to an *In re Russetta*, 255 F. 2d 687, 118 USPQ 101 (CCPA 1958) type rejection where support in the parent application is relevant.

2219 Copy of Printed Patent [R-4]

The Patent and Trademark Office will prepare a separate file wrapper for each reexamination request which will become part of the patent file. Since in some instances, it may not be possible to obtain the patent file promptly and in order to provide a format which can be amended and used for printing, requesters are required under 37 CFR 1.510(b)(4) to include a copy of the entire specification (including claims) and drawings of the patent for which reexamination is requested in the form of a cut-up copy of

the original printed patent with only a single column of the patent securely mounted or reproduced in permanent form on one side of a sheet of paper. A copy of any disclaimer, certificate of correction, or reexamination certificate issued in the patent must also be included so that a complete history of the patent is before the Office for consideration. A copy of any federal court decision, complaint in a pending civil action, or interference decision should also be submitted.

2220 Certificate of Service [R-4]

If the requester is a person other than the patent owner, the owner of the patent must be served with a copy of the request in its entirety. The service should be made to the correspondence address as indicated in 37 CFR 1.33(c). The name and address of the person served and the certificate of service should be indicated on the request.

The most recent address of the attorney or agent of record can be determined by checking the Office's register of patent attorneys and agents maintained by the Office of Enrollment and Discipline pursuant to 37 CFR 10.5 and 10.11(a).

2221 Amendments Included in Request by Patent Owner [R-4]

Under 37 CFR 1.510(e) a patent owner may include a proposed amendment with his or her request, if he or she so desires. Any such amendment must be in accordance with 37 CFR 1.121(f). See MPEP 2250. Amendments may also be proposed by patent owners during the actual ex parte reexamination prosecution (37 CFR 1.550(b)).

The request should be decided on the wording of the claims without the amendments. The decision on the request will be made on the basis of the patent claims as though the amendment had not been presented. However, if the request for reexamination is granted, the ex parte reexamination prosecution should be on the basis of the claims as amended.

2222 Address of Patent Owner [R-4]

37 CFR 1.33, Correspondence respecting patent applications, reexamination proceedings, and other proceedings.

(c) All notices, official letters, and other communications for the patent owner or owners in a reexamination proceeding will be directed to the attorney or agent of record (see § 1.34(b)) in the patent file at the address listed on the register of patent attorneys and agents maintained pursuant to §§ 10.5 and 10.11 or, if no attorney or agent is of record, to the patent owner or owners at the address or addresses of record. Amendments and other papers filed in a reexamination proceeding on behalf of the patent owner must be signed by the patent owner, or if there is more than one owner by all the owners, or by an attorney or agent of record in the patent file, or by a registered attorney or agent not of record who acts in a representative capacity under the provisions of § 1.34(a). Double correspondence with the patent owner or owners and the patent owner's attorney or agent, or with more than one attorney or agent, will not be undertaken. If more than one attorney or agent is of record and a correspondence address has not been specified, correspondence will be held with the last attorney or agent made of record.

37 CFR 1.33(c) indicates which correspondence address is to be normally used to direct correspondence to the patent owner. In most instances this will be the address of the first named, most recent attorney or agent in the patent file at his or her current address. If such an attorney or agent does not desire to receive correspondence relating to reexaminations, a withdrawal of power of attorney should be filed in the patent. If the patent owner desires that a different attorney or agent receive correspondence, then a new power of attorney must be filed. Correspondence will continue to be sent to the attorney or agent of record in the patent file absent a revocation of the same by the patent owner. If the attorney or agent of record specifies a correspondence address to which correspondence is to be directed, such direction should be followed. However, since a change in the correspondence address does not withdraw a power of attorney, a change of the correspondence address by the patent owner does not prevent the correspondence from being directed to the attorney or agent of record in the patent file under 37 CFR 1.33(c).

A form for changing correspondence address or power of attorney is set forth below. Such forms should be addressed to the Commissioner of Patents and Trademarks, Box Patent Address Change, Washington, D.C. 20231.

CHANGE OF POWER OF ATTORNEY OR CORRESPONDENCE ADDRESS IN U.S. PATENT

Address to:
Commissioner of Patents and Trademarks
Box: Patent Address Change
Washington D.C. 20231

To the Commissioner of Patents and Trademarks:
In United States patent number _____, granted _____ to _____ (list first inventor)
please make the following change:

- 1. Change the address of the attorney(s) of record to:
2. Change the correspondence address of the patent owner to:
3. Add a power of attorney to and address any future correspondence to the first named person below
4. Remove all previous powers of attorney which I hereby revoke and enter a power of attorney and address any future correspondence to

It is certified that the person whose signature appears below has the authority to make the requested changes in the patent.

Date Authoriz. Signature

- Attorney/Agent Reg. No.
Patent Owner
*Requires signature of patent owner.

2223 Withdrawal of Power of Attorney [R-4]

Any request for withdrawing a power of attorney from a patent will normally only be approved if at least 30 days remain in any running period for response. See also *MPEP 402.06.

2224 Correspondence [R-4]

37 CFR 1.1 All communications to be addressed to Commissioner of Patents and Trademarks.

(a) All letters and other communications intended for the Patent and Trademark Office must be addressed to "Commissioner of Patents and Trademarks," Washington, D.C. 20231. When appropriate, a letter should also be marked for the attention of a particular officer or individual.

(b) Letters and other communications relating to international applications during the international stage and prior to the assignment of a national serial number should be additionally marked "Box PCT."

(c) Requests for reexamination should be additionally marked "Box Reexam."

(d) Payments of maintenance fees in patents and other communications relating thereto should be additionally marked "Box M. Fee."

(e) Communications relating to interferences and applications or patents involved in an interference should be additionally marked "BOX INTERFERENCE."

NOTE: Sections 1.1 to 1.26 are applicable to trademark cases as well as to national and international patent cases except for provisions specifically directed to patent cases. See § 1.9 for definitions of "national application" and "international application."

All requests for reexamination mailed to the Patent and Trademark Office should be additionally marked "Box Reexam." Such mail will not be opened by the Correspondence and Mail Division but will be sorted out immediately and processed by the Reexamination Preprocessing Unit. Subsequent correspondence should, however, be directed to the examining group art unit indicated on the Office letters. Any correction or change of correspondence address for a United States patent should be addressed to the Office at Box "Patent Address Change."

Letters sent to the Patent and Trademark Office relating to a reexamination proceeding should identify the proceeding by the number of the patent undergoing reexamination, the reexamination request control number assigned, examining group art unit, and the name of the examiner. The certificate of mailing practice (37 CFR 1.8) and "Express Mail" with certificate (37 CFR 1.10) may be used to file any paper in a reexamination proceeding.

Communications from the Patent and Trademark Office to the patent owner will be directed to the first named, most recent attorney or agent of record in the patent file at the current address on the Office's register of patent attorneys and agents or to the patent owner's address if no attorney or agent is of record, 37 CFR 1.33(c).

Amendments and other papers filed on behalf of patent owners must be signed by the patent owners, or the registered attorney or agent of record in the patent file, or any registered attorney or agent acting

in a representative capacity under *37 CFR 1.34(a). See *MPEP 2213.

Double correspondence with the patent owners and the attorney or agent normally will not be undertaken by the Office.

Where no correspondence address is otherwise specified, correspondence will be with the most recent attorney or agent made of record.

Note *MPEP 2220 on certificate of service.

2225 Untimely Papers Filed Prior to Order [R-4]

After filing of a request, no papers other than (1) citations of patents or printed publications under *37 CFR 1.501; (2) another complete request under *37 CFR 1.510; or (3) notifications pursuant to *MPEP 2282, should be filed with the Office by the requester, patent owner, or third parties prior to the date of the decision on the request for reexamination. Any papers other than those under *37 CFR 1.501 or 1.510 or *MPEP 2282 filed prior to the decision on the request will be returned to the sender by the group director without consideration. A copy of the letter accompanying the returned papers will be made of record in the patent file. However, no copy of the returned papers will be retained by the Office. If the submission of the returned papers is appropriate later in the proceedings, they will be accepted by the Office at that time. See *In re Amp Inc.*, 212 USPQ 826 (Comr. Pats., 1981); *In re Knight*, 217 USPQ 294 (Comr. Pats., 1982) and *Patlex Corporation v. Mos-singhoff*, 226 USPQ 985, 989 (Fed. Cir. 1985).

2226 Initial Processing of Request

The opening of all mail marked "Box Reexam" and all initial clerical processing of requests for reexamination will be performed by the Reexamination Preprocessing Unit in the Office of Patent and Trademark Services.

2227 Incomplete Requests [R-4]

37 CFR 1.510, Request for reexamination

(c) If the request does not include the fee for requesting reexamination or all of the parts required by paragraph (b) of this section, the person identified as requesting reexamination will be so notified and given an opportunity to complete the request within a specified time. If the fee for requesting reexamination has been paid but the defect in the request is not corrected within the specified time, the determination whether or not to institute reexamination will be made on the request as it then exists. If the fee for requesting reexamination has not been paid, no determination will be made and the request will be placed in the patent file as a citation if it complies with the requirements of § 1.501(a).

(d) The filing date of the request is: (1) the date on which the request including the entire fee for requesting reexamination is received in the Patent and Trademark Office; or (2) the date on which the last portion of the fee for requesting reexamination is received.

If the required fee under *37 CFR 1.20(c) is not paid in full, the request is considered to be incomplete, *37 CFR 1.510(c), and will not be considered

on its merits or have a notice of its filing announced in the *Official Gazette*. The request is considered to have a "filing date" under *37 CFR 1.510(d) only when the entire fee is paid.

If no fee, or only a portion of the fee is received, the Reexamination Preprocessing Unit will notify the requester of the defect and give the requester a specified time, normally 1 month, to complete the request. A telephone call may also be made to the requester indicating the amount of the insufficient fee. If the request is not timely completed, any partial fee will be returned and the request will be treated as a citation under *37 CFR 1.501(a) if it complies therewith.

2228 Informal Requests [R-4]

If the fee under *37 CFR 1.20(c) has been paid, but the request does not contain all the elements called for by *37 CFR 1.510(b), the request is considered to be informal. All requests which are accompanied with the entire fee will be assigned a filing date from which the three month period for making a decision on the request will be computed. Notice of filing of all complete requests will be published in the *Official Gazette* approximately 4-5 weeks after filing.

The Reexamination Preprocessing Unit will attempt to notify the requester of any informality in the request in order to give the requester time to respond before a decision is made on the request. If the requester does not respond and correct the informality, the decision on the request will be made on the information presented. If the information presented does not present "a substantial new question of patentability", the request for reexamination will be denied.

2229 Notice of Request in Official Gazette [R-4]

37 CFR 1.11, Files open to the public

(c) All requests for reexamination for which the fee under § 1.20(c) has been paid, will be announced in the *Official Gazette*. Any reexaminations at the initiative of the Commissioner pursuant to § 1.520 will also be announced in the *Official Gazette*. The announcement shall include at least the date of the request, if any, the reexamination request control number or the Commissioner initiated order control number, patent number, class and subclass, name of the inventor, name of the patent owner of record, and the examining group to which the reexamination is assigned.

(d) All papers or copies thereof relating to a reexamination proceeding which have been entered of record in the patent or reexamination file are open to inspection by the general public, and copies may be furnished upon paying the fee therefor.

Under 37 CFR 1.11(c), reexamination requests with sufficient fees and any Commissioner initiated orders made without a request will be announced in the *Official Gazette*. The Reexamination Preprocessing Unit will complete a form with the information needed to print the notice. The forms are forwarded at the end of each week to the Office of Publications for printing in the *Official Gazette*.

In addition, a record of requests filed will be located in the Public Search Room and in the Reexamina-

tion Preprocessing Unit. Office personnel may use the PALM System to determine if a request for reexamination has been filed in a particular patent. The *Official Gazette* notice will appear in the notice section of the *Official Gazette* under the heading of "Reexamination Requests Filed" and will include the name of any requester along with the other items set forth in *37 CFR 1.11(c).

2230 Constructive Notice to Patent Owner

In some instances it may not be possible to deliver mail to the patent owner because no current address is available. If all efforts to correspond with the patent owner fail, the reexamination proceeding will proceed without the patent owner. The publication in the *Official Gazette* of the notice of the filing of a request or the ordering of reexamination at the initiative of the Commissioner will serve as constructive notice to the patent owner in such an instance.

2231 Processing of Request Corrections

Any payment of insufficient fees should be marked "Box Reexam" so that the fee may be promptly forwarded to the Reexamination Preprocessing Unit. If the fee payment completes the payment of the required fee, the request will be processed, notice will be published in the *Official Gazette* and the request will be forwarded to the appropriate examining group for determination.

Any correction of a defect other than the fee should be directed to the examining group where the file is located. The group clerical personnel process any timely corrections and enter them in the file of the reexamination.

2232 Public Access [R-4]

The reexamination folders will be stored in a separate central location in the patent examining group unless being acted upon by the examiner or a communication is being processed by the group clerical personnel. In view of the desire to conduct the reexamination proceeding with special dispatch, the reexamination folder may *NOT* be available to the public when it is in the Reexamination Preprocessing Unit, and when the examiner has started consideration of some matter until an action is mailed. However, all areas should be as reasonable as possible in allowing access and copying of the file. At times other than those identified above, the reexamination file will be made available to members of the public upon request. Inspection will be permitted in the patent examining group. If a copy of the file is requested, it may be ordered from the Certification Branch of the Examination Services Division or the file wrapper may be hand carried by a member of the group to the Record Room and left with a member of the Record Room staff. The file will be dispatched by using PALM transaction 1034-*921. A charge card will be stapled to the file identifying the Reexamination Control Number, Art Unit Number, Reexamination Clerk's name and phone number.

A member of the Record Room staff should call the reexamination clerk in the group when copying is

completed, and the file can then be retrieved by a member of the group. The group should maintain a tickler record of the location of the file wrapper by some system.

Similar procedures should be utilized in the event that an associated patent file is requested for inspection and/or copying. Access to the patent file wrapper should be restricted only when the examiner is preparing an action in the reexamination folder which requires consideration of the patent file.

To: RECORD ROOM PERSONNEL

Re: Reexam. No.

Patent No.

Serial No.

This file is charged out from group

Please return promptly by:

Office Mail

Calling

557-.....for pickup of the file

Sale of Copies of Reexamination Requests

Copies of reexamination requests, all cited references, and the file wrapper and contents of the patent file for which reexamination is requested are available at the standard charge per page. Orders for such copies must indicate the control number assigned the reexamination request. Orders should be addressed to the Commissioner of Patents and Trademarks, Washington, D.C. 20231, Attention: *Examination Services Division.

TO DETERMINE ON PALM IF A REEXAMINATION REQUEST HAS BEEN FILED FOR A GIVEN PATENT NUMBER

Assume Patent Number Is 4104156

—Clear PALM Terminal

—Key In: 3110 And Press Send

—When Screen Fills

Enter: PAT NO 4104156 (In Family Name)

Press: TAB

Enter: \$ (In Given Name)

Press: TAB

Enter: Y

Press: SEND

Any reexamination for the patent number will be listed on the return screen.

There will be about a ten (10) day lag between filing and data entry.

2233 Processing in Examining Group [R-4]

Each examining group has designated at least one docket clerk and one backup clerk to act as the reexamination clerk and has assigned to that person those clerical duties and responsibilities which are unique to reexamination. The regular docket clerks will still perform their normal duties and responsibilities in handling papers and records during the actual reexamination process. The reexamination clerk has sole responsibility for clerical processing until such time as the request is either granted or denied. If a request is granted, the responsibility for all docket ac-

activities relating to ex parte examination is assigned to the regular docket clerk.

FEES

Under reexamination, there are no fees due other than for the request and any appeal, brief, and oral hearing fees under 37 CFR 1.191, 1.192 and 1.194(b). No fees are required for additional claims added or for issue of the certificate. Any petitions filed under 37 CFR 1.182 or 1.183 relating to a reexamination proceeding require fees (37 CFR 1.17(h)). Small entity reductions are available to the patent owner for the appeal, brief, and oral hearing fees. Small entity reductions in fees are not available for the reexamination filing fee nor for petition fees. When a fee is required in a merged proceeding, only a single fee is needed even though multiple copies of the submissions (one for each file) are required.

MAILING

A transmittal form with the requester's address will be used to forward copies of Office actions to the requester. Whenever an Office action is issued, a copy of this form will be made and attached to a copy of the Office action. The use of this form removes the need to retype the requester's address each time a mailing is required. When the patent owner is the requester, no such form is needed.

The following steps should be taken when processing reexamination requests in the examining groups.

1. Report receipt of the reexamination file in the group on the PALM terminal and forward the file to the group's reexamination clerk.

2. Date stamp the date of receipt in the group on the reexamination file.

3. Charge file to the supervisory primary examiner of the group art unit indicated on the reexamination file on the PALM terminal and forward the file to the supervisory primary examiner.

4. The supervisory primary examiner promptly reviews the subject matter of the patent in which reexamination was requested and either transfers the request file (which should rarely occur) or assigns it to a primary examiner. The primary examiner is informed and the request file is returned to the group's reexamination clerk for entry of the examiner's name into PALM.

5. At about 6 weeks after the filing of the request, the request file should be given to the examiner and charged to him or her on PALM.

6. The primary examiner then drafts a decision on the request and returns it to be typed on a "special" basis, normally within 8 weeks after the filing date of the request.

7. The typed decision is forwarded to the primary examiner for signature. After signing, the file is returned to the group clerical unit for mailing and PALM update, normally within 10 weeks after the filing date of the request.

The initial reexamination files were regular patent application files which had orange tape applied to the face. The current reexamination file

wrappers have an orange color for easy identification.

2234 Entry of Amendments [R-4]

37 CFR 1.121 Manner of Making Amendments

(f) Proposed amendments presented in patents involved in reexamination proceedings must be presented in the form of a full copy of the text of: (1) Each claim which is amended and (2) each paragraph of the description which is amended. Matter deleted from the patent shall be placed between brackets and matter added shall be underlined. Copies of the printed claims from the patent may be used with any additions being indicated by carets and deleted material being placed between brackets. Claims must not be renumbered and the numbering of the claims added for reexamination must follow the number of the highest numbered patent claim. No amendment may enlarge the scope of the claims of the patent. No new matter may be introduced into the patent.

Amendments which comply with 37 CFR 1.121(f) are entered in the reexamination file wrapper. An amendment is given a Paper No. and is designated by consecutive letters of the alphabet (A, B, C, etc.).

The amendment will be entered by drawing a line in red ink through the claim(s) or paragraph(s) cancelled or amended, and the substituted copy being indicated by reference letter. Claims must not be renumbered and the numbering of the claims added during reexamination must follow the number of the highest numbered patent claim.

ALL amendments in reexamination proceedings must be presented in the form of a full copy of the text of each claim which is amended and each paragraph of the description which is amended.

If a portion of the text is amended more than once, each amendment should indicate ALL of the changes (insertions and deletions) in relation to the current text of the patent under reexamination.

Examples of proper claim amendment format are as follows:

1. Patent claim:

A cutting means having a handle portion and a blade portion.

2. Proper first amendment format:

A [cutting means] knife having a bone handle portion and a notched blade portion.

3. Proper second amendment format:

A [cutting means] knife having a handle portion and a serrated blade portion.

Note that the second amendment includes the changes presented in the first amendment, i.e. [cutting means] knife, as well as the changes presented in the second amendment, i.e. serrated. However, the term notched which was presented in the first amendment and replaced by the term serrated in the second amendment and the term bone which was presented in the first amendment and deleted in the second amendment are NOT shown in brackets, i.e. [notched] and [bone], in the second amendment. This is because the terms [notched] and [bone] would not be changes from the current patent text and therefore are not shown. In both the first and the second amendments,

the entire claim is presented with all the changes from the current patent text.

Although amendments will be entered for purposes of examination, the amendments are not legally effective until the certificate is issued.

See *MPEP* 2250 for manner of making amendments by patent owner.

For entry of amendments in a merged proceeding see *MPEP* 2283 and 2285.

2235 Record Systems

PALM—MONITORING SYSTEMS

The Patent Access and Location Monitoring (PALM) system is used to support the reexamination process. The sections below delineate PALM related activities.

1. *Reexamination File Data on PALM*—The routine PALM retrieval transactions are used to obtain data on reexamination files. The user keys in the retrieval transaction code (2952, 2962, etc.) the reexamination series code (90) and the reexamination control number. Almost all data displayed for reexamination files has the same meaning as for regular patent applications. Two changes should be noted. In the first named applicant location (normally upper left corner, abbreviation APPL) the patent number being reexamined will appear for reexamination files. For a patent undergoing reexamination the number of the proceeding can be determined on the 2953 retrieval screen. The pertinent reexamination number(s) will appear in the "Details" section of the screen as a six digit number preceded by an "R". If no "R" number is present then no reexamination has been filed.

2. *Reexamination File Location Control*—The location of a reexamination file is monitored in the same manner as regular patent application files. All PALM transactions are equally applicable to regular patent applications and reexamination files.

3. *Patent File Location Control*—The movement of patent files related to requests for reexamination throughout the Office is monitored by the PALM system in the normal fashion. Within the groups the reexamination file and patent file will be kept together, from initial receipt until the reexamination is assigned to an examiner for determination. At this point the patent file will be charged to the examiner assigned the reexamination file (use transaction 1036) and will be kept in the examiner's room until the proceeding is terminated. After the reexamination proceeding has been terminated, the patent file should be forwarded with the reexamination file to the Office of Publications via the appropriate office. Publishing Division will forward the patent file and the reexamination file to the Record Room after printing of the certificate.

4. *Reporting Events to PALM*—The PALM system is used to monitor major events that take place in processing reexamination proceedings. During initial processing all major pre-ex parte examination events are reported. During the ex parte phase the mailing of examiner's actions are reported as well as owner's re-

sponses thereto. The group reexamination clerk is responsible for reporting these events using the bar code reader (BCR) initiated 2920 cathode ray tube (CRT) update screen display. The events that will be reported are as follows:

Determination Mailed—Denial of request for reexamination.

Determination Mailed—Grant of request for reexamination.

Petition for reconsideration of determination received.

Decision on petition mailed—Denied.

Decision on petition mailed—Granted.

Owner response to determination received.

Requester response to determination received.

The mailing of all examiner actions.

The receipt of owner's responses to examiner's actions and Office receipt date.

Each of these events, as well as additional events reported by the Reexamination Preprocessing Unit will be permanently recorded and displayed in the "Contents" portion of PALM. In addition, status representative of these events will also be displayed.

5. *Status Report*—Various weekly "tickler" reports can be generated for each group given the event reporting discussed above. The primary purpose of these computer outputs is to assure that reexaminations are, in fact, processed with "special dispatch."

PALM Reports—A number of automated reports generated from the PALM system are provided to the groups at the beginning of each week. These reports serve to indicate to the groups when certain deadlines are approaching. Each report is subdivided by group and lists the requests in control number sequence. The following reports have been identified.

Requests not yet received in group—This report serves to indicate to a group those requests assigned to it for which preprocessing has not been completed and which have not yet been received in the group. This report provides an indicator of future workload as well as identifying potential, problem stragglers.

Requests Not Yet Assigned to an Examiner—This report serves to highlight those requests which have not been assigned to an examiner by the six week anniversary of their filing. Requests appearing on this report should be located and docketed immediately.

Requests Which Should Be Taken Up for Determination—This report lists those requests which have been assigned to an examiner and in which no determination has been mailed and the six week anniversary of their filing is past. Requests on this report should be taken up for determination by the examiner.

Requests for Which Determinations Should Be Prepared—This report lists those requests which have been assigned to an examiner and in which no determination has been mailed and the two month anniversary of their filing is past. Determinations for requests on this report should be in the final stages of preparation.

**Requests for Which Determinations Should Have Been Mailed*—This report lists those requests which

have been assigned to an examiner and in which no determination has been mailed and the ten week anniversary of their filing is past. Determinations for requests on this report should be mailed immediately.

***Overdue Determinations**—This report lists those requests in which no determination has been mailed and the three month anniversary of their filing is past. This report should always be zero.

Overdue Petitions for Reconsideration of a Denial—This report lists those requests in which the determination denied reexamination and no petition has been received and six weeks have passed since the determination was mailed. Requests on this report should be terminated.

Overdue Owner Responses to Determinations—This report lists those requests in which the determination ordered reexamination and the owner has not filed a response and ten weeks have passed since the mailing of the determination. These requests should be taken up for immediate ex parte action by the examiner.

Overdue Requester Responses to Statements—This report lists those requests in which a proper owner statement was received and no requester reply has been received and ten weeks have passed since the receipt of the owner response. These requests should be taken up for immediate action.

***Overdue First Ex Parte Actions**—This report lists those requests in which reexamination has been ordered and a first action has not been mailed and six weeks have passed since the request became available for ex parte prosecution. These requests should be taken up for immediate action by the examiner.

***Overdue Action or Examiner's Answer**—This report lists those reexaminations which are up for second or subsequent action by the examiner and no such action has been mailed and two months have passed since the filing of an owner response to a previous action.

***Overdue Advisory Action**—This report lists those reexaminations which are up for action by the examiner and no such action has been mailed and one month has passed since the filing of an owner response to a previous final action.

***Overdue Owner Response**—This report lists those requests in which there has been an action rendered and four months have passed without an owner response.

***Overdue Certificates**—This report lists those requests in which a Notice of Intent to Issue a Reexamination Certificate has been mailed and three months have passed since its mailing and no issue date has been assigned.

***Requests With Prolonged Prosecution**—This report lists pending requests which have not matured into a certificate and fifteen months have passed since the date of filing.

*Asterisk items require immediate action and followup, if appropriate.

6. Historical Reporting—A variety of historical reports are possible given the event recording described above. Thus such statistics as the number of requests filed and determinations made in a specified period or

number or kind of reexaminations in which an appeal was filed can be made available.

2236 Assignment of Reexamination [R-4]

Reexamination requests should normally be assigned to the art unit which examines the class and subclass in which the patent to be reexamined is currently classified as an original and to the primary examiner most familiar with the claimed subject matter of the patent. Where no knowledgeable primary examiner is available, the reexamination may be assigned to an assistant examiner. In such an instance the supervisory primary examiner must sign all actions and take responsibility for all actions taken.

2237 Transfer Procedure

Although the number of reexamination requests which must be transferred should be very small, the following procedures have been established for an expeditious resolution of any such problems.

No transfer inquiry forms (PTO-447A) should be used in reexamination situations. All reexamination requests in which a transfer is desired must be hand carried with the patent file by the supervisory primary examiner to the supervisory primary examiner of the group art unit to which a transfer is desired. Any conflict which cannot be resolved by the supervisory primary examiners will be resolved by the groups directors involved.

If the reexamination request is accepted in the "new" art unit, the "new" supervisory primary examiner assigns the request to an examiner and the "new" group's reexamination clerk PALMS in the request.

2238 Time Reporting [R-4]

A. Clerical time reporting

Both the Program Management System (PMS) and Payroll systems now used to monitor clerical time have been modified to report reexamination activities. Time devoted to processing actual reexamination files in the groups should be reported using the appropriate PMS Code* and Project Code*. It should be noted that all clerical time consumed by reexamination activities must be reported in the above manner. Such activities as supervision, copying, typing and docketing should be included.

B. Professional time reporting

Reexamination fees are based on full cost recovery and it is essential that all time expended on reexamination activities be reported accurately. Thus, directors, supervisory patent examiners and board members as well as examiners should report time spent on reexamination on their individual Time and Attendance Report (PTO-1411) using the following Project Codes:

119050—Used to report training.

119051—Used to report all activities related to a specific reexamination proceeding up until the time ex parte prosecution is begun.

119052—Used to report all activities related to a specific reexamination proceeding from the time it is taken up for first ex parte action until the issuance of a certificate takes place.

Examiners and SPE's will use the above codes to report their time for reexamination activities on the Examiner's Bi-Weekly Time Worksheet (PTO-690E) by making appropriate entries in the Item 16 space. Time reported using codes 119050 and 119051, and 119052 will also be reported in the Examiner Production System as "Other" time.

2239 Reexamination Ordered at the Commissioner's Initiative [R-4]

37 CFR 1.520. Reexamination at the initiative of the Commissioner. The Commissioner, at any time during the period of enforceability of a patent, may determine whether or not a substantial new question of patentability is raised by patents or printed publications which have been discovered by the Commissioner or which have been brought to the Commissioner's attention even though no request for reexamination has been filed in accordance with § 1.510. The Commissioner may initiate reexamination without a request for reexamination pursuant to § 1.510. Normally requests from outside the Patent and Trademark Office that the Commissioner undertake reexamination on his own initiative will not be considered. Any determination to initiate reexamination under this section will become a part of the official file of the patent and will be given or mailed to the patent owner at the address as provided for in § 1.33(c).

The Commissioner may initiate reexamination without a request being filed and without a fee being paid. Such reexamination may be ordered at any time during the period of enforceability of the patent.

The decision to order reexamination at the Commissioner's initiative is normally made by the Deputy Assistant Commissioner for Patents after a review of all the facts concerning the patent. It may be made by the Commissioner of Patents and Trademarks, Deputy Commissioner or Assistant Commissioner for Patents. The number of such Commissioner initiated orders is expected to be very small.

If an Office employee becomes aware of an unusual fact situation in a patent which he or she considers to clearly warrant reexamination, a memorandum setting forth these facts along with the patent file and any prior art patents or printed publications, should be forwarded to the Deputy Assistant Commissioner for Patents through the supervisory chain of command.

If an order to reexamine is to be issued, the decision is prepared and signed by the Deputy Assistant Commissioner for Patents and the patent file is forwarded to the Reexamination Preprocessing Unit for preparation of the reexamination file and *Official Gazette* notice.

The decision to order reexamination made in the Office of the Deputy Assistant Commissioner for Patents is *not* mailed by that Office. The Reexamination Preprocessing Unit, once the reexamination file has been prepared and the Control Number assigned, will mail the decision letter to the patent owner. Prosecution will then proceed without further communication with anyone but the owner.

If the Deputy Assistant Commissioner for Patents refuses to issue an order for reexamination, no record of any consideration of the matter will be placed in

the patent file and the patent owner will not be notified.

The Commissioner will not normally consider requests to order reexamination at the Commissioner's initiative received from members of the public. If a member of the public desires reexamination, a request and fee should be filed in accordance with § 1.510.

2240 Decision on Request [R-4]

35 U.S.C. 303. Determination of issue by Commissioner. (a) Within three months following the filing of a request for reexamination under the provisions of section 302 of this title, the Commissioner will determine whether a substantial new question of patentability affecting any claim of the patent concerned is raised by the request, with or without consideration of other patents or printed publications. On his own initiative, and any time, the Commissioner may determine whether a substantial new question of patentability is raised by patents and publications discovered by him or cited under the provisions of section 301 of this title.

(b) A record of the Commissioner's determination under subsection (a) of this section will be placed in the official file of the patent, and a copy promptly will be given or mailed to the owner of record of the patent and to the person requesting reexamination, if any.

(c) A determination by the Commissioner pursuant to subsection (a) of this section that no substantial new question of patentability has been raised will be final and nonappealable. Upon such a determination, the Commissioner may refund a portion of the reexamination fee required under section 302 of this title.

37 CFR 1.515. Determination of the request for reexamination. (a) Within three months following the filing date of a request for reexamination, an examiner will consider the request and determine whether or not a substantial new question of patentability affecting any claim of the patent is raised by the request and the prior art cited therein, with or without consideration of other patents or printed publications. The examiner's determination will be based on the claims in effect at the time of the determination and will become a part of the official file of the patent and will be given or mailed to the patent owner at the address as provided for in § 1.33(c) and to the person requesting reexamination.

(b) Where no substantial new question of patentability has been found, a refund of a portion of the fee for requesting reexamination will be made to the requester in accordance with § 1.26(c).

(c) The requester may seek review by a petition to the Commissioner under § 1.181 within one month of the mailing date of the examiner's determination refusing reexamination. Any such petition must comply with § 1.181(b). If no petition is timely filed or if the decision on petition affirms that no substantial new question of patentability has been raised, the determination shall be final and nonappealable.

Prior to making a determination on the request for reexamination, the examiner must review the litigation records maintained in the Law Library to check if the patent has been, or is, involved in litigation. The "****Litigation Review" box on the reexamination file wrapper should be completed to indicate that the review was conducted and the results thereof. ***If the patent is or was involved in litigation, and a paper referring to the court proceeding has been filed, reference to the paper by number should be made in the "****Litigation Review" box as "litigation, see paper #1C". If a litigation records search is already noted on the file, the examiner need not repeat or update it.

If litigation has concluded or is taking place in the patent on which a request for reexamination has been filed, the request must be promptly brought to the at-

attention of the group director, who must approve the decision on the request and any examiner's action.

An appropriate review of litigation records in the Law Library includes checking the following sources: (1) the card file of "pending patent suits"; (2) the card file of "decisions rendered" and (3) Shepard's United States Citations in the volumes containing "Patents". All volumes and supplements issued after the patent date should be checked. See also *MPEP 2207 and 2242.

35 U.S.C. 303 requires that the Commissioner determine whether or not a "substantial new question of patentability" affecting any claim of the patent of which reexamination is desired, is raised in the request within a time period of three months following the filing date of a request. See also *MPEP 2241. Such a determination may be made with or without consideration of other patents or printed publications in addition to those cited in the request. No input from the patent owner is considered prior to the determination unless the patent owner filed the request. See *Patlex Corporation v. Mossinghoff*, 226 USPQ 985 (Fed. Cir. 1985).

The claims in effect at the time of the determination will be the basis for deciding whether a substantial new question of patentability has been raised. (37 CFR 1.515(a)). Amendments which have been presented with the request if by the patent owner or which have been filed in a pending reexamination proceeding in which the certificate has not been issued, or amendments which have been submitted in a reissue application on which no reissue patent has been issued, will not be considered or commented upon when deciding requests.

The decision on the request for reexamination has as its main object either the granting or denial of an order for reexamination. This decision is based on whether or not "a substantial new question of patentability" is found. The final decision as to unpatentability will be made during any reexamination proceedings. Accordingly no prima facie case of unpatentability need be found to grant an order for reexamination. It must be noted, however, that a decision to deny an order for reexamination is equivalent to a holding that the patent claims are patentable over the cited prior art. See *MPEP 2242 where there have been prior decisions relating to the patent.

It is only necessary to establish that a substantial new question of patentability exists as to one of the patent claims to order reexamination. In a reexamination, normally all patent claims will be reexamined. However, where there has been a prior federal court decision as to some claims, see *MPEP 2242. The decision should discuss ALL patent claims in order to inform the patent owner of the examiner's position so that a response thereto may be made in the patent owner's statement.

The examiner should indicate insofar as possible, his or her initial position on all the issues identified in the request or by the requester so that comment thereon may be received in the patent owner's statement and in the requester's reply. However, the examiner

SHOULD NOT reject claims in the order for reexamination.

The Commissioner of Patents and Trademarks has the authority to order reexamination only in those cases which raise a substantial new question or patentability. The substantial new question of patentability requirement protects patentees from having to respond to, or participate in unjustified reexaminations, *Patlex Corporation v. Mossinghoff*, 226 USPQ 985, 989 (Fed. Cir. 1985).

Where a reexamination is pending at the time a second request for reexamination is to be decided, see *MPEP 2283.

2241 Time for Deciding Request

The determination whether or not to reexamine must be made within three months following the filing date of a request. See 35 U.S.C. 303(a) and 37 CFR 1.515(a). The examiner should pick up a request for decision about six weeks after the request was filed. The decision should be mailed within 2½ months of the filing date of the request. A determination to reexamine may be made at the initiative of the Commissioner at any time during the period of enforceability of a patent. See 35 U.S.C. 303(a) and 37 CFR 1.520.

2242 Criteria for Deciding Request [R-4]

SUBSTANTIAL NEW QUESTION OF PATENTABILITY

The presence or absence of "a substantial new question of patentability" determines whether or not reexamination is ordered. The meaning and scope of the term "a substantial new question of patentability" is not defined in the statute and must be developed to some extent on a case-by-case basis. In making a determination whether or not "a substantial new question of patentability" is present the examiner must consider the materiality of the prior art patents and printed publications to the claims of the patent for which reexamination is requested. If the prior art patents and printed publications are material to the reexamination of at least one claim of the patent, then a substantial new question of patentability is present, unless it is clear to the examiner that the same question of patentability has already been decided by (1) a federal court or (2) by the Office either in the original examination, the examination of a reissue patent, or an earlier concluded reexamination. The answer to the question of whether a "substantial new question of patentability" exists, and therefore whether reexamination may be had, is decided by the Commissioner, and, as 35 U.S.C. 303 provides, that determination is final, i.e. not subject to appeal. See *In re Etter*, 225 USPQ 1 (Fed. Cir. 1985).

A prior art patent or printed publication is material to the examination of a claim of the patent where there is a substantial likelihood that a reasonable examiner would consider the prior art patent or printed publication important in deciding whether or not the claim is patentable. Thus, in making the determination

on the request the examiner should consider the materiality of the prior art patents and/or printed publications and, if they are found to be material, should find "a substantial new question of patentability" unless the same question of patentability has already been decided as to the claim by a federal court or favorably by the Office. For example, the same question of patentability may have already been decided by the Office where the examiner finds the additional prior art patents or printed publications are merely cumulative to similar prior art already fully considered by the Office in a previous examination of the claim.

For "a substantial new question of patentability" to be present it is only necessary that (1) the prior art patents and/or printed publications be material to the examination of at least one claim and (2) the same question of patentability as to the claim has not been decided by the Office in a previous examination or by the federal courts in a decision on the merits involving the claim. It is not necessary that a "prima facie" case of unpatentability exist as to the claim in order for "a substantial new question of patentability" to be present as to the claim. Thus, "a substantial new question of patentability" as to a patent claim could be present even if the examiner would not necessarily reject the claim as either fully anticipated by, or obvious in view of, the prior patents or printed publications. The difference between "a substantial new question of patentability" and a "prima facie" case of unpatentability is important.

In order to further clarify the meaning of "a substantial new question of patentability" certain situations are outlined below which, if present, should be considered when making a decision as to whether or not "a substantial new question of patentability" is present.

POLICY IN SPECIFIC SITUATIONS

1. Prior Favorable Decisions by the Patent and Trademark Office on the Same or Substantially Identical Prior Art in Relation to the Same Patent

If the Office has previously decided the same question of patentability as to a patent claim favorable to the patent owner based on the same or substantially identical prior art patents or printed publications it is unlikely that "a substantial new question of patentability" will be present absent a showing that material new arguments or interpretations raise "a substantial new question of patentability". Material new arguments or interpretations can raise "a substantial new question of patentability" as to prior art patents or printed publications already considered by the Office. In this regard see *Ex parte Chicago Rawhide Manufacturing Co.*, 223 USPQ 351 (PTO Bd. App. 1984). However, the "substantial new question" requirement would generally mean that an argument presented which has been already decided by the Office as to a particular claim would not raise "a substantial new question of patentability" as to that claim.

2. Prior Adverse Decisions by the Office on the Same or Substantially Identical Prior Art in the Same Patent

A prior decision adverse to the patentability of a claim of a patent by the Office based upon prior art patents or printed publications would usually mean that "a substantially new question of patentability" is present. Such an adverse decision by the Office could arise from a reissue application which was abandoned after rejection of the claim and without disclaiming the patent claim.

3. Prior Adverse Reissue Application Final Decisions by a Commissioner or the Board of Patent Appeals and Interferences Based Upon Grounds Other Than Patents or Printed Publications

Any prior adverse final decision by a Commissioner, or the Board of Patent Appeals and Interferences, on an application seeking to reissue the same patent on which reexamination is requested will be considered by the examiner when determining whether or not a "substantial new question of patentability" is present. To the extent that such prior adverse final decision was based upon grounds other than patents or printed publications the prior adverse final decision will not be considered in determining whether or not a "substantial new question of patentability" is present. If a prior final decision by the Board of Patent Appeals and Interferences in a reissue application affirmed the rejection of patent claims on grounds other than patents or printed publications, for example, because of fraud in obtaining the original patent, such information will be noted on the certificate.

4. Prior Favorable or Adverse Decisions on the Same or Substantially Identical Prior Patents or Printed Publications in Other Cases not Involving the Patent.

While the Office would consider decisions involving substantially identical patents or printed publications in determining whether a "substantial new question of patentability" is raised, the weight to be given such decisions will depend upon the circumstances. For example, if the Office has used the same or substantially identical prior art to reject the same or similar claims in another application or patent under reexamination, this would be considered as being material in making a determination. Similarly, if a foreign patent office or a foreign court has used the same or substantially identical prior art to reject or invalidate the same or similar claims, this would be considered as being material in making the determination. Likewise, if a United States Court has invalidated similar claims in another patent based on the same or substantially identical prior patents or printed publications, this would be considered as being material in making the determination. Favorable decisions on the same or substantially identical prior patents or printed publications in other cases would be considered, but would not be controlling.

POLICY WHERE A FEDERAL COURT DECISION HAS BEEN ISSUED ON THE PATENT

If a federal court decision *on the merits* of a patent is known to the examiner at the time the determination on the request for reexamination is made, the following guidelines will be followed by the examiner, whether or not the person who filed the request was a party to the litigation:

(1) No substantial new question of patentability will be found based on (a) the same prior art which was before the federal court; (b) prior art which is merely cumulative to that which was before the court; and (c) issues which were actually resolved on the merits by the court.

(2) In making the determination the examiner will compare the prior art and issues raised in the request with the prior art before the federal court and the issues resolved *on the merits* by the court, without regard to either the finality of the court decision or whether the claims were held valid or invalid.

(3) Where the claims were all held *invalid* by a federal court decision *for any reason* no substantial new question of patentability will be found.

(4) Where claims have been held valid by the federal court, reexamination will be ordered by the examiner if (a) additional prior art is relied on which is not merely cumulative to that before the court; (b) the additional prior art raises issues which were not resolved on the merits by the court; and (c) the additional prior art is material to the examination of at least one claim.

(5) Where the patent contains claims in addition to those upon which the federal court ruled, reexamination will be ordered if (a) a substantial new question of patentability as to those additional claims is present and (b) the same question was not resolved by the court in its decision.

(6) In making the determination on a request, a consent judgment that claims are valid will be treated as a decision on the merits insofar as the parties to the litigation (or their proxy) are concerned. A consent judgment of validity or invalidity has no effect as to requests filed by a person not a party to the litigation.

(7) All determinations on requests for reexamination which the examiner makes after a federal court decision must be approved by the examining group director.

Prior Decisions by a Federal Court on the Same or Substantially Identical Prior Art in Relation to the Same Patent

A decision on the merits by a federal court will normally be controlling as to whether or not "a substantial new question of patentability" exists on the same, or substantially the same, prior art. Thus, the Office will not find a "substantial new question of patentability" to be present where the patent owner had obtained a decision, either favorable or adverse, in a federal court on the same or substantially identical prior art. Furthermore, the Office will not find "a substantial new question of patentability" to exist

where such a question has actually been resolved by a federal court on the merits.

CLAIMS HELD VALID

Where additional prior art is relied upon in the request, and claims were held valid by the court, consideration will be given as to whether or not the additional prior art is merely cumulative. If the prior art is merely cumulative, no substantial new question of patentability is present. However, if the additional prior art is not cumulative, consideration will be given as to whether or not the additional prior art presents a substantial new question of patentability.

ALL CLAIMS INVALID

Where a federal court decision has held all of the claims in the patent to be invalid for any reason, no substantial new question of patentability will be found by the Patent and Trademark Office, even if material additional prior art is presented in a request. Since a federal court has already decided that the patent claims are invalid, no reason is seen for using Office resources to consider the matter further. The Office will give full faith and credit to the court decision. Reexamination should be denied as there is no substantial new question of patentability.

ONLY SOME CLAIMS INVALID

Where a request for reexamination has been filed in a patent in which a federal court decision has been issued holding less than all of the claims invalid, only those claims not held invalid will be considered to determine if "a substantial new question of patentability" is present.

If reexamination is ordered, the reexamination will only be made as to those claims not held invalid by the court decision. The claims held invalid by the court decision will not be reexamined and the order and certificate will so indicate.

CONSENT JUDGEMENT

A consent judgment is treated differently than a court decision on the merits. If a request for reexamination is filed by a person who was not a party to the litigation, the request may present a substantial new question of patentability even though the question was agreed upon by the interested parties in the consent judgment. Since an agreement is only binding as to the parties involved, it is not a final resolution of the matter as to other members of the public or the Office. See *Houston Atlas, Inc. et al v. Del Mar Scientific, Inc. et al*, 217 USPQ 1032, 1037 (N.D. Tex. 1982).

A consent judgment is treated as a "decision on the merits" as to the parties of the litigation, and is controlling as to all of the claims covered in the consent judgment with regard to *any* prior art (before the court of otherwise).

If the consent judgment does not cover all of the claims in the reexamination, the reexamination should be ordered only as to those claims not covered by the consent judgment. The claims covered by the consent

judgment will not be addressed in the reexamination in view of the consent judgment.

A stipulated dismissal is not considered to be "a decision on the merits". See *In re Long*, 230 USPQ 559 (Comr. Pats. 1986).

Any situations requiring clarification should be brought to the attention of the Office of the Assistant Commissioner for Patents.

2243 Claims Considered in Deciding Request [R-4]

The claims in effect at the time of the determination will be the basis for deciding whether "a substantial new question of patentability" is present (37 CFR 1.515(a)). While the examiner will ordinarily concentrate on those claims for which reexamination is requested, the finding of "a substantial new question of patentability" can be based upon a claim of the patent other than the ones for which reexamination is requested. For example, the request might seek reexamination of particular claims, but the examiner is not limited to those claims and can make a determination that "a substantial new question of patentability" is present as to other claims in the patent without necessarily finding "a substantial new question" with regard to the claims requested. If a substantial new question of patentability is found as to any claim, reexamination will be ordered and will normally cover all claims except where some claims have been held invalid in a federal court decision on the merits. The decision should discuss all patent claims in order to inform the patent owner of the examiner's position. See MPEP 2242 for patent claims which have been the subject of a prior decision. Amendments or new claims will not be considered or commented upon when deciding a request.

2244 Prior Art on Which the Determination Is Based [R-4]

The determination whether or not "a substantial new question of patentability" is present can be based upon any prior art patents or printed publications. Section 303(a) of the statute and 37 CFR 1.515(a) provide that the determination on a request will be made "with or without consideration of other patents or printed publications," i.e., other than those relied upon in the request. The examiner is not limited in making the determination to the patents and printed publications relied upon in the request. The examiner can find "a substantial new question of patentability" based upon the prior art patents or printed publications relied upon in the request, a combination of the prior art relied upon in the request and other prior art found elsewhere, or based entirely on different patents or printed publications. The primary source of patents and printed publications used in making the determination are those relied upon in the request. However, the examiner can also consider the prior art of record in the patent file from the earlier examination or a reexamination and any patents and printed publications of record in the patent file from submissions under 37 CFR 1.501 which are in compliance with 37 CFR

1.98 in making the determination. If the examiner believes that additional prior art patents and publications can be readily obtained by searching to supply any deficiencies in the prior art cited in the request the examiner can perform such an additional search. Such a search should be limited to that area most likely to contain the deficiency of the prior art previously considered and should be made only where there is a reasonable likelihood that prior art can be found to supply any deficiency necessary to "a substantial new question of patentability".

The determination should be made on the claims in effect at the time the decision is made (37 CFR 1.515(a)).

The Commissioner of Patents and Trademarks has the authority to order reexamination only in those cases which raise a substantial new question of patentability. The substantial new question of patentability requirement protects patentees from having to respond to, or participate in unjustified reexaminations, *Patlex Corporation v. Mossinghoff*, 226 USPQ 985, 989 (Fed. Cir. 1985).

2245 Processing of Decision

After the examiner has prepared the decision and proofread and signed the typed version, the reexamination file and decision are given to the group's reexamination clerk for processing.

The reexamination clerk then prints the heading on the decision by using the computer terminal and makes 3 copies of any prior art documents not already supplied by or to the patent owner or requester, if the request was made by a party other than the patent owner. If the patent owner filed the request, only 2 copies are required.

A copy of the decision is then mailed to the requester and the patent owner, along with any required copies of prior art documents. The original signed copy of the decision and a copy of any prior art enclosed is made of record in the reexamination file.

The file is returned to the special storage area in the examining group.

2246 Decision Ordering Reexamination [R-4]

35 U.S.C. 304. *Reexamination order by Commissioner.* If, in a determination made under the provisions of subsection 303(a) of this title, the Commissioner finds that a substantial new question of patentability affecting any claim of a patent is raised, the determination will include an order for reexamination of the patent for resolution of the question. The patent owner will be given a reasonable period, not less than two months from the date a copy of the determination is given or mailed to him, within which he may file a statement on such question, including any amendment to his patent and new claim or claims he may wish to propose, for consideration in the reexamination. If the patent owner files such a statement, he promptly will serve a copy of it on the person who has requested reexamination under the provisions of section 302 of this title. Within a period of two months from the date of service, that person may file and have considered in the reexamination a reply to any statement filed by the patent owner. That person promptly will serve on the patent owner a copy of any reply filed.

37 CFR 1.525. *Order to reexamine.* (a) If a substantial new question of patentability is found pursuant to §§ 1.515 or 1.520, the determination will include an order for reexamination of the patent

for resolution of the question. If the order for reexamination resulted from a petition pursuant to § 1.515(c), the reexamination will ordinarily be conducted by an examiner other than the examiner responsible for the initial determination under § 1.515(a).

(b) If the order for reexamination of the patent mailed to the patent owner at the address as provided for in § 1.33(c) is returned to the Office undelivered, the notice published in the *Official Gazette* under § 1.11(c) will be considered to be constructive notice and reexamination will proceed.

If the request is granted, the examiner will conclude that a substantial new question of patentability has been raised by identifying all claims and issues, the patents or printed publications relied on, and a brief statement of the rationale supporting each new question. In a simple case, this may entail adoption of the reasons provided by the requester. The references relied on by the examiner should be cited on a PTO-892, unless already listed on a form PTO-1449 by the requester, and a copy of the reference supplied only where it has not been previously supplied to the owner and requester.

The decision granting the request is made on a decision form and will remind the owner and requester of the statutory time periods that they have in which to respond.

The wording of form paragraph 22.01 should be used at the end of each decision letter.

22.01 New Question of Patentability

A substantial new question of patentability affecting claim [1] of United States Patent Number [2] is raised by the request for reexamination.

Extensions of time under 37 CFR 1.136(a) will not be permitted in reexamination proceedings because the provisions of 37 CFR 1.136 apply only to "an applicant" and not to parties in a reexamination proceeding. Additionally, 35 U.S.C. 305 requires that reexamination proceedings "will be conducted with special dispatch"

(37 CFR 1.550(a)). Extension of time in reexamination proceedings are provided for in 37 CFR 1.550(c).

Upon determination that a substantial new question of patentability is present, either pursuant to a request under 35 U.S.C. 302 and 37 CFR 1.515, or a sua sponte determination under 35 U.S.C. 303(a), second sentence, and 37 CFR 1.520, the Commissioner issues an order to reexamine. The statutory wording is that:

[The determination [that a substantial new question of patentability is raised] will include an order for reexamination of the patent for resolution of the question. [35 U.S.C. 304, first sentence]

If the request is granted, the examiner must identify at least one substantial new question of patentability and explain how the prior art patents or printed publications raise such a question. The examiner should indicate insofar as possible, his or her initial position on all the issues identified in the request or by the requester (without rejecting claims) so that comment thereon may be received in the patent owner's statement and in the requester's reply. The prior art relied upon should be listed by the examiner on a form PTO-892 if it is not already listed on a form PTO-1449 by the requester.

If arguments are presented as to grounds not based on prior patents or printed publications, such as those based on public use or sale, abandonment under 35 U.S.C. 102(c) the examiner should note that such grounds are improper for reexamination and are not considered or commented upon. See 37 CFR 1.552(c).

Copies of any patents or printed publications relied upon, which have not been previously supplied to the owner and requester, should be included with the decision.

#50000\00



**UNITED STATES DEPARTMENT OF COMMERCE
Patent and Trademark Office**

Address: COMMISSIONER OF PATENTS AND TRADEMARKS
Washington, D.C. 20231

REEEXAM CONTROL NO	FILING DATE	PATENT NUMBER	ATTORNEY DOCKET NO.
90/000016	07/02/81	PAT NO 4444444	0803071

William Dyre
2400 Jefferson Davis Highway
Arlington, Va. 22222

(Patent owner's correspondence address)

EXAMINER	
V.D. Turner	
ART UNIT	PAPER NUMBER
125	5

DATE MAILED 09/14/81

ORDER GRANTING / DENYING REQUEST FOR REEXAMINATION

The request for reexamination filed 07/02/81 has been considered. Identification of the claims, the references relied on and the rationale supporting the determination are attached.

Attachment(s): PTO-892 PTO-1449 Other

ORDER

1. The request for reexamination is **GRANTED**.

RESPONSE TIMES ARE SET TO EXPIRE AS FOLLOWS:

For Patent Owner's Statement:

TWO MONTHS from the date hereof. 37 CFR 1.530(b).

For Requester's reply:

TWO MONTHS from the date of service of any patent owner's statement. 37 CFR 1.535.

Notes: If the patent owner does not file a timely statement under 37 CFR 1.530(b), no reply from the reexamination requester will be considered. 37 CFR 1.535.

The patent owner must submit, on a separate paper, the names of the attorneys or agents (maximum of three) which the owner desires to have printed on the reexamination certificate. If no names are submitted, none will appear on the certificate.

2. The request for reexamination is **DENIED**

This decision is not appealable. 35 U.S.C. 303(c). Requester may seek review by a petition to the Commissioner within one month from the mailing date hereof. 37 CFR 1.515(c).

In due course, a refund under 37 CFR 1.26(c) will be made by Treasury check or by credit to Deposit Account Number _____ to the requester listed below unless notified otherwise. 35 U.S.C. 303(c).

CC: John Doe
12 Seemore Street
New York, New York 10001
(Requester's correspondence address)

RECEIVED 90 FEBRUARY 28 1986
 UNITED STATES PATENT OFFICE

DECISION

A substantial new question of patentability affecting claims 1-4 of United States patent number 4,444,444 to Smith is raised by the request.

The request indicates the requester considers that claims 1-3 of Smith are fully anticipated by the prior art patent document of Berridge under 35 U.S.C. 102.

It is agreed that the consideration of the Berridge patent document raises a substantial new question of patentability as to claims 1-3 of the Smith patent since the Berridge patent document is clearly material to the examination of the claims of the Smith patent as pointed out in the request.

The Swiss patent to Hotopp and the "American Machinist" prior art documents do not raise a substantial new question of patentability as to claim 4 of the Smith patent and are not material because these prior art documents are considered to be substantial equivalents to the German patent number 7777 of December 25, 1917 to Hotopp and the "Popular Mechanics" magazine article of April 1, 1924 considered by the examiner during the initial prosecution of the application which resulted in the Smith patent. Claim 4 will, however, be reexamined along with all the other claims in the Smith patent.

V. D. Turner
 V. D. Turner
 Primary Examiner
 Art Unit 125

The decision granting a request must set forth the time periods for the patent owner and requester to file their statement and any reply thereto.

Neither the patent owner nor the requester has any right to petition or request reconsideration of a decision to grant a request for reexamination even if the decision grants reexamination for reasons other than those urged by the requester or on less than all the grounds urged by the requester.

Any prior art citations under 37 CFR 1.501 submitted after the date of the decision on the order should be retained in a separate file by the reexamination clerk and stored until the reexamination proceeding is terminated, at which time the prior art citation is then entered of record on the patent file.

2247 Decision on Request for Reexamination Denied [R-4]

The request for reexamination will be denied if a substantial new question of patentability is not found based solely on patents or printed publications.

If the examiner concludes that no substantial new question of patentability has been raised because prior patents or printed publications are not material to the examination of at least one claim (see MPEP

2242), the examiner should indicate why the claims are clearly patentable in a manner similar to that used to indicate reasons for allowance (MPEP 1302.14). The examiner should also respond to the substance of each argument raised by the requester which is based on patents or printed publications. If arguments are presented as to grounds not based on prior patents or printed publications, such as those based on public use or sale, or abandonment under 35 U.S.C. 102(c), the examiner should note that such grounds are improper for reexamination and are not considered or commented upon. See 37 CFR 1.552(c).

A copy of any denied request and the decision thereon are made part of the official patent file.

If the denial of the request is not overturned by a petition decision, a refund of \$1,300.00 will be made to the requester under 37 CFR 1.26(c) after the period for petition has expired.

Use From Paragraph 22.02 as the introductory paragraph in a decision denying reexamination.

22.02 No New Question of Patentability

No substantial new question of patentability is raised by the request for reexamination and prior art cited therein for the reasons set forth below.



**UNITED STATES DEPARTMENT OF COMMERCE
Patent and Trademark Office**

Address: COMMISSIONER OF PATENTS AND TRADEMARKS
Washington, D.C. 20231

REEXAM CONTROL NO	FILING DATE	PATENT NUMBER	ATTORNEY DOCKET NO.
90/000016	07/02/81	PAT NO 4444444	0803071

William Dyre
2400 Jefferson Davis Highway
Arlington, Va. 22222
(Patent owner's correspondence address)

EXAMINER	
V.D. Turner	
ART UNIT	PAPER NUMBER
125	5

DATE MAILED 09/14/81

ORDER GRANTING / DENYING REQUEST FOR REEXAMINATION

The request for reexamination filed 07/02/81 has been considered. Identification of the claims, the references relied on and the rationale supporting the determination are attached.

Attachment(s): PTO-892 PTO-1449 Other

ORDER

1. The request for reexamination is GRANTED.

RESPONSE TIMES ARE SET TO EXPIRE AS FOLLOWS:

For Patent Owner's Statement:

TWO MONTHS from the date hereof. 37 CFR 1.530(b).

For Requester's reply:

TWO MONTHS from the date of service of any patent owner's statement. 37 CFR 1.535.

Notes: If the patent owner does not file a timely statement under 37 CFR 1.530(b), no reply from the reexamination requester will be considered. 37 CFR 1.535.

The patent owner must submit, on a separate paper, the names of the attorneys or agents (maximum of three) which the owner desires to have printed on the reexamination certificate. If no names are submitted, none will appear on the certificate.

2. The request for reexamination is DENIED

This decision is not appealable. 35 U.S.C. 303(c). Requester may seek review by a petition to the Commissioner within one month from the mailing date hereof. 37 CFR 1.515(c).

In due course, a refund under 37 CFR 1.26(c) will be made by Treasury check or by credit to Deposit Account Number _____ to the requester listed below unless notified otherwise. 35 U.S.C. 303(c).

CC:

John Doe
12 Seemore Street
New York, NY 10001

(Requester's correspondence address)

DECISION

No substantial new question of patentability is raised by the request and prior art cited therein for the reasons set forth below.

The claims of the Smith patent for which reexamination is requested define the blades to be no longer than 4 inches and the tips of the blades to be curved. The claims of the Smith patent also define the dies to be grooved to allow their use for crimping operations.

The prior art patent to Berridge is not material to the examination of the claims of the Smith patent since the essential features of the claims of the Smith patent referred to above are not present in Berridge.

An evaluation of the prior art patent document to Berridge as outlined in the request does not appear to meet the terms of the Smith patent. The cutting blades of Berridge are indicated as "being at least six inches long" and the dies of Berridge have smooth, flat surfaces used "to flatten bent washers". There is no suggestion in Berridge that the features claimed by Smith could be present therein and it would not be obvious to a person of ordinary skill in the art to so modify the structure of Berridge. Since the Berridge prior art patent does not disclose a number of the essential features recited in the Smith patent to which the request for reexamination is directed, the Berridge patent is not material to the patentability of the Smith patent and no substantial new question of patentability is raised in view of the Berridge prior art patent document, either taken alone or in combination with other known prior art documents.

V. D. Turner
V. D. Turner
Primary Examiner
Art Unit 125

2248 Petition From Denial of Request [R-4]*37 CFR 1.515 Determination of the request for reexamination.*

(c) The requester may seek review by a petition to the Commissioner under § 1.181 within one month of the mailing date of the examiner's determination refusing reexamination. Any such petition must comply with § 1.181(b). If no petition is timely filed or if the decision on petition affirms that no substantial new question of patentability has been raised, the determination shall be final and nonappealable.

Processing of Petition under 37 CFR 1.515(c)

Once the request for reexamination has been denied, the reexamination file will be stored in the group central files to await a petition. If no petition is filed within one (1) month, the file is forwarded to the Office of Finance for a refund. If a petition is filed, it is forwarded to the office of the group director for decision.

The director's review will be de novo. Each decision by the group director will conclude with the paragraph:

"This decision is final and nonappealable. 37 CFR 1.515(c). No further communication on this matter will be acknowledged or considered."

If the petition is granted, the decision of the group director should include a sentence setting a two month period for filing of a statement under 37 CFR 1.530. The reexamination file will then be returned to the supervisory primary examiner of the art unit that will handle the reexamination for consideration of reassignment to another examiner.

Reassignment will be the general rule and only in exceptional circumstances where no other examiner is available and capable to give a proper examination will the case remain with the original examiner. If the original determination is signed by the supervisory primary examiner, the reexamination ordered by the director will be assigned to a primary examiner.

The requester may seek review of a denial of a request for reexamination by petitioning the Commissioner under 37 CFR 1.515(c) and 1.181 within one month of the mailing date of the decision denying the request for reexamination. A request for an extension of the time period to file a petition from the denial of a request for reexamination can only be entertained by filing a petition under 37 CFR 1.183 with appropriate fee to waive the time provisions of 37 CFR 1.515(c). No petition may be filed requesting review of a decision granting a request for reexamination even if the decision grants the request for reasons other than those advanced by requester or as to claims other than those for which requester sought reexamination. No right to review exists if reexamination is ordered in such a case because all claims will be reexamined in view of all prior art during the reexamination under 37 CFR 1.550.

After the time for petition has expired without a petition having been filed, or a petition has been filed and the decision thereon affirms the denial of the request, a refund of \$1,300.00 of the \$1,770.00 fee for requesting reexamination will be made to the re-

quester. (35 U.S.C. 303(c) and 37 CFR 1.26(c)). A decision on a petition is final and is not appealable.

2249 Patent Owner's Statement [R-4]

37 CFR 1.530 Statement and amendment by patent owner. Except as provided in § 1.510(e), no statement or other response by the patent owner shall be filed prior to the determinations made in accordance with §§ 1.515 or 1.520. If a premature statement or other response is filed by the patent owner it will not be acknowledged or considered in making the determination.

(b) The order for reexamination will set a period of not less than two months from the date of the order within which the patent owner may file a statement on the new question of patentability including any proposed amendments the patent owner wishes to make.

(c) Any statement filed by the patent owner shall clearly point out why the subject matter as claimed is not anticipated or rendered obvious by the prior art patents or printed publications, either alone or in any reasonable combinations. Any statement filed must be served upon the reexamination requester in accordance with § 1.248.

(d) Any proposed amendments to the description and claims must be made in accordance with § 1.121(f). No amendment may enlarge the scope of the claims of the patent or introduce new matter. No amended or new claims may be proposed for entry in an expired patent. Moreover, no amended or new claims will be incorporated into the patent by certificate issued after the expiration of the patent.

(e) Although the Office actions will treat proposed amendments as though they have been entered, the proposed amendments will not be effective until the reexamination certificate is issued.

The patent owner has no right to file a statement subsequent to the filing of the request but prior to the order for reexamination. Any such premature statement will not be acknowledged or considered by the Office when making the decision on the request. See MPEP 2225.

If reexamination is ordered, the decision will set a period of not less than two months within which period the patent owner may file a statement and any narrowing amendments to the patent claims. If necessary, an extension of time beyond the two months may be requested under 37 CFR 1.550(c) by the patent owner. Such requests are decided by the group directors.

Any statement filed must clearly point out why the patent claims are believed to be patentable, considering the cited prior art patents or printed publications alone or in any reasonable combination.

A copy of the statement must be served on the requester, if the request was not filed by the patent owner.

In the event the decision is made to reexamine, the patent statute (35 U.S.C. 304) provides that the owner will have a period, not less than two months (minimum time), to file a statement directed to the issue of patentability. Since the two month period is the minimum provided by statute, first extensions may be granted up to one (1) month based upon good and sufficient reasons. Further extensions should be granted only in the most extraordinary situations e.g. death or incapacitation of the representative or owner.

Lack of proof of service poses a problem especially where the patent owner fails to indicate that he or she has served the requester in the statement subsequent

to the order for reexamination (37 CFR 1.530(c)). In this situation, the Reexamination Clerk should immediately contact the patent owner by telephone to see whether the indication of proof of service was inadvertently omitted from the patent owner's response. If it was, the patent owner should be advised to submit a supplemental paper indicating the manner and date of service on requester. If the patent owner cannot be contacted, the Reexamination Clerk will then contact the requester to verify that service has in fact been made by the patent owner and indicate that acknowledgement of proof of service should accompany requester's reply (37 CFR 1.248(b)(1)). If the two month period for response under 37 CFR 1.530 has expired and requester has not been served, the patent owner's statement is considered inappropriate (37 CFR 1.248) and may be denied consideration, see *MPEP* 2267.

It should be noted that the period for response by requester for a reply under 37 CFR 1.535 is two months from the owner's service date and not two months from the date the patent owner's statement was received in the Patent and Trademark Office.

2250 Amendment by Patent Owner [R-4]

37 CFR 1.121 Manner of making amendments.

(f) Proposed amendments presented in patents involved in reexamination proceedings must be presented in the form of a full copy of the text of (1) each claim which is amended and (2) each paragraph of the description which is amended. Matter deleted from the patent shall be placed between brackets and matter added shall be underlined. Copies of the printed claims from the patent may be used with any additions being indicated by carets and deleted material being placed between brackets. Claims must not be renumbered and the numbering of the claims added for reexamination must follow the number of the highest numbered patent claim. No amendment may enlarge the scope of the claims of the patent. No new matter may be introduced into the patent.

Amendments to the patent may be filed by the patent owner. Such amendments, however, may not enlarge the scope of ***a claim of the patent or introduce new matter. For handling of new matter see *MPEP* 2270. Additional claims may also be added by amendment without any fee. Any amendment proposed will normally be entered and be considered to be entered for purposes of prosecution before the Office, however, the amendments do not become effective in the patent until the certificate under 35 U.S.C. 307 is issued.

No amendment will be permitted where the certificate issues after expiration of the patent. See *37 CFR* 1.530 (d) and (e).

Amendment Entry—Amendments which comply with 37 CFR 1.121(f) will be entered in the reexamination file wrapper. An amendment will be given a Paper Number and be designated by consecutive letters of the alphabet (A, B, C, etc.). The amendment will be entered by drawing a line in red ink through the claim(s) or paragraph(s) cancelled or amended, and the substituted copy being indicated by reference letter.

ALL amendments in reexamination proceedings must be presented in the form of a full copy of the text of each claim which is amended and each paragraph of the description which is amended.

If a portion of the text is amended more than once, each amendment should indicate *ALL* of the changes (insertions and deletions) in relation to the current text of the patent under reexamination.

Examples of proper claim amendment format are as follows:

1. Patent claim:

A cutting means having a handle portion and a blade portion.

2. Proper first amendment format:

A [cutting means] knife having a bone handle portion and a notched blade portion.

3. Proper second amendment format:

A [cutting means] knife having a handle portion and a serrated blade portion.

Note that the second amendment includes the changes presented in the first amendment, i.e. [cutting means] knife, as well as the changes presented in the second amendment, i.e. serrated. However, the term notched which was presented in the first amendment and replaced by the term serrated in the second amendment and the term bone which was presented in the first amendment and deleted in the second amendment are NOT shown in brackets, i.e. [notched] and [bone], in the second amendment. This is because the terms [notched] and [bone] would not be changes from the current patent text and therefore are not shown. In both the first and the second amendments, the entire claim is presented with all the changes from the current patent text.

No renumbering of patent claims is permitted.

*New claims added during reexamination must be underlined and follow consecutively the number of the highest numbered patent claim. If a new claim is amended during prosecution, any material which is deleted will NOT appear in brackets because such deleted material would not be a change to the current patent text. The deleted material would not appear in any fashion. Further, the new claim as amended will be COMPLETELY underlined as required by 37 CFR 1.121(f). If the patent expires during the ex parte reexamination procedure and the patent claims have been amended, the Office will hold the amendments as being improper and all subsequent reexamination will be on the basis of the unamended patent claims. This procedure is necessary since no amendments will be incorporated into the patent by certificate after the expiration of the patent.

For entry of amendment in a merged proceeding see *MPEP* 2283 and 2285.

For handling a dependent claim in reexamination proceedings see MPEP 2260.01.

2250.01 Correction of Patent Drawings

In the reexamination proceeding the copy of the patent drawings submitted pursuant to § 1.510(b)(4) will be used for reexamination purposes provided no change whatsoever is made to the drawings. If there is to be ANY change in the drawings, a new sheet of drawing for each sheet changed must be submitted. The change may NOT be made on the original patent drawings.

The new sheets of drawings must be submitted and approved prior to forwarding the reexamination file to the Office of Publications for issuance of the certificate. The new sheets of drawings should be entered in the reexamination file.

2251 Reply by Requester

37 CFR 1.535 Reply by requester. A reply to the patent owner's statement under § 1.530 may be filed by the reexamination requester within two months from the date of service of the patent owner's statement. Any reply by the requester must be served upon the patent owner in accordance with § 1.248. If the patent owner does not file a statement under § 1.530, no reply or other submission from the reexamination requester will be considered.

If the patent owner files a statement in a timely manner, the requester is given a period of 2 months from the date of service to reply. Since the statute (Section 304) did not provide this as a minimum time period, there will be no extensions of time granted.

The reply need not be limited to the issues raised in the statement. The reply may include additional prior art patents and printed publications and raise any issue appropriate for reexamination.

If no statement is filed by the patent owner, no reply is permitted from the requester.

A copy of any reply by the requester must be served on the patent owner.

The requester is not permitted to file any further papers after his or her reply to the patent owner's statement. Any further papers will not be acknowledged or considered. The patent owner cannot file papers on behalf of the requester and thereby circumvent the rules.

2252 Consideration of Statement and Reply [R-4]

37 CFR 1.540 Consideration of responses. The failure to timely file or serve the documents set forth in § 1.530 or in § 1.535 may result in their being refused consideration. No submissions other than the statement pursuant to § 1.530 and the reply by the requester pursuant to § 1.535 will be considered prior to examination.

Although *37 CFR 1.540 would appear to be discretionary in stating that late responses "may result in their being refused consideration", patent owners and requesters can expect consideration to be refused if the statement and/or reply is not timely filed. Section 1.540 restricts the number and kind of submissions to be considered prior to examination to those expressly provided for in *37 CFR 1.530 and 1.535. Untimely submissions will ordinarily not be considered. Untimely submissions, other than untimely papers filed by the patent owner after the period set for response, will not be placed of record in the reexamination file, but will be returned to the sender.

Papers filed in which no proof of service is included and proof of service is required, may be denied consideration. Where no proof of service is included, inquiry should be made of the sender by the reexamination clerk as to whether service was in fact made. If no service was made the paper is placed in the reexamination file but is not considered, see *MPEP 2267.

2253 Consideration by Examiner [R-4]

Once reexamination is ordered, any submissions properly filed and served in accordance with *37 CFR 1.530 and 1.535 will be considered by the primary examiner when preparing the first Office action. The examiner will be guided in his or her consideration by the provisions of *37 CFR 1.121(f) with respect to any proposed amendments by the patent owner to the description and claims and by *37 CFR 1.530(c) regarding the patent owner's statement. If the requester's reply to the patent owner's statement raises issues not previously presented, such issues will be treated by the examiner in an Office action pursuant to *37 CFR 1.552(c), if not within the scope of reexamination.

For handling of new matter see *MPEP 2270.

2254 Conduct of Reexamination Proceedings [R-4]

35 U.S.C. 305. Conduct of reexamination proceedings. After the times for filing the statement and reply provided for by section 304 of this title have expired, reexamination will be conducted according to the procedures established for initial examination under the provisions of sections 132 and 133 of this title. In any reexamination proceeding under this chapter, the patent owner will be permitted to propose any amendment to his patent and a new claim or claims thereto, in order to distinguish the invention as claimed from the prior art cited under the provisions of section 301 of this title, or in response to a decision adverse to the patentability of a claim of a patent. No proposed amended or new claim enlarging the scope of a claim of the patent will be permitted in a reexamination proceeding under this chapter. All reexamination proceedings under this section, including any appeal to the Board of Patent Appeals and Interferences will be conducted with special dispatch within the Office.

37 CFR 1.550 Conduct of Reexamination proceedings. (a) All reexamination proceedings, including any appeals to the Board of Patent Appeals and Interferences, will be conducted with special dispatch within the Office. After issuance of the reexamination order and expiration of the time for submitting any responses thereto, the examination will be conducted in accordance with §§ 1.104-1.119 and will result in the issuance of a reexamination certificate under § 1.570.

(b) The patent owner will be given at least 30 days to respond to any Office action. Such response may include further statements in response to any rejections and/or proposed amendments or new claims to place the patent in a condition where all the claims, if amended as proposed, would be patentable.

(c) The time for taking any action by a patent owner in a reexamination proceeding will be extended only for sufficient cause, and for a reasonable time specified. Any request for such extension must be filed on or before the day on which action by the patent owner is due, but in no case will the mere filing of the request effect any extension.

(d) If the patent owner fails to file a timely and appropriate response to any Office action, the reexamination proceeding will be terminated and the Commissioner will proceed to issue a certificate under § 1.570 in accordance with the last action of the Office.

(e) The reexamination requester will be sent copies of Office actions issued during the reexamination proceeding. Any document

filed by the patent owner must be served on the requester in the manner provided in § 1.248. The document must reflect service or the document may be refused consideration by the Office. The active participation of the reexamination requester ends with the reply pursuant to § 1.535, and no further submissions on behalf of the reexamination requester will be acknowledged or considered. Further, no submissions on behalf of any third parties will be acknowledged or considered unless such submissions are (1) in accordance with § 1.510 or (2) entered in the patent file prior to the date of the order to reexamine pursuant to § 1.525. Submissions by third parties, filed after the date of the order to reexamine pursuant to § 1.525, must meet the requirements of and will be treated in accordance with § 1.501(a).

Once reexamination is ordered and the times for submitting any responses thereto have expired, no further active participation by a reexamination requester is allowed and no third party submissions will be acknowledged or considered unless they are in accordance with *37 CFR 1.510. The reexamination proceedings will be ex parte because this was the intention of the legislation. The patent owner cannot file papers on behalf of the requester and thereby circumvent the intent of the legislation and the rules. Ex parte proceedings also prevent extra proceedings and reduce possible harassment of the patent owner. The examination will be conducted in accordance with *37 CFR 1.104-1.119 (35 U.S.C. 132 and 133) and will result in the issuance of a reexamination certificate under *37 CFR 1.570. The proceeding shall be conducted with special dispatch within the Office pursuant to 35 U.S.C. 305, last sentence. A full search will not be made routinely by the examiner. The reexamination requester will be sent copies of Office actions and the patent owner must serve responses on the requester. Citations submitted in the patent file prior to issuance of an order for reexamination will be considered by the examiner during the reexamination. Reexamination will proceed even if the order is returned undelivered. The notice under *37 CFR 1.11(c) is constructive notice and lack of response from the patent owner will not delay reexamination.

2255 Who Reexamines [R-4]

The examination will ordinarily be conducted by the same primary examiner in the examining groups who made the decision on whether the reexamination request should be granted. See *MPEP 2236.

However, if a petition under 37 CFR 1.515(c) is granted, the reexamination will normally be conducted by another examiner, see *MPEP 2248.

2256 Prior Art Patents and Printed Publications Considered by Examiner in Reexamination [R-4]

The primary source of prior art will be the patents and printed publications cited in the request.

The examiner must also consider patents and printed publications

- cited by a reexamination requester under *37 CFR 1.510
- cited in patent owner's statement under *37 CFR 1.530 or a requester's reply under *37 CFR 1.535 if they comply with *37 CFR 1.98

- cited by patent owner under a duty of disclosure (*37 CFR 1.555) in compliance with *37 CFR 1.98
- discovered by the examiner in searching
- of record in the patent file from earlier examination
- of record in patent file from *37 CFR 1.501 submissions prior to date of an order if it complies with *37 CFR 1.98

The reexamination file must indicate which prior art patents and printed publications the examiner has considered during ex parte examination.

2257 Listing of Prior Art [R-4]

The examiner must list on a form PTO-892, if not already listed on a form PTO-1449, all prior patents or printed publications which have been properly

1. cited by the reexamination requester in the request under *37 CFR 1.510,
2. cited by the patent owner in the statement under *37 CFR 1.530 if the citation complies with *37 CFR 1.98,
3. cited by the reexamination requester in the reply under *37 CFR 1.535 if the citation complies with *37 CFR 1.98, and
4. cited by the patent owner under the duty of disclosure requirements of *37 CFR 1.555 if the citation complies with *37 CFR 1.98.

The examiner must also list on a form PTO-892, if not already listed on a form PTO-1449, all prior patents or printed publications which have been cited in the decision on the request, or applied in making rejections or cited as being pertinent during the reexamination proceedings. Such prior patents or printed publications may have come to the examiners' attention because:

1. they were of record in the patent file due to a prior art submission under *37 CFR 1.501 which was received prior to the date of the order,
2. they were of record in the patent file as result of earlier examination proceedings, or
3. they were discovered by the examiner during a prior art search.

In instances where the examiner considers but does not wish to cite documents of record in the patent file, notations should be made in the reexamination file in the manner set forth in *MPEP 717.05, items B5, C1 and C2.

All citations listed on form PTO-892 and all citations not lined out on any form PTO-1449 will be printed on the reexamination certificate under "References cited".

2258 Scope of Reexamination [R-4]

37 CFR 1.552. *Scope of reexamination in reexamination proceedings.* (a) Patent claims will be reexamined on the basis of patents or printed publications.

(b) Amended or new claims presented during a reexamination proceeding must not enlarge the scope of the claims of the patent and will be examined on the basis of patents or printed publications and also for compliance with the requirements of 35 U.S.C. 112 and the new matter prohibition of 35 U.S.C. 132.

(c) Questions other than those indicated in paragraphs (a) and (b) of this section will not be resolved in a reexamination proceeding. If such questions are discovered during a reexamination proceeding, the existence of such questions will be noted by the examiner in an Office action, in which case the patent owner may desire to consider the advisability of filing a reissue application to have such questions considered and resolved.

Rejections on prior art in reexamination proceedings may only be made on the basis of prior patents or printed publications. Prior art rejections may be based upon the following portions of 35 U.S.C. 102:

"(a) . . . patented or described in a printed publication in this or a foreign country, before the invention thereof by the applicant for patent, or"

"(b) the invention was patented or described in a printed publication in this or a foreign country . . . more than one year prior to the date of the application for patent in the United States, or"

"(d) the invention was first patented or caused to be patented, or was the subject of an inventor's certificate, by the applicant or his legal representatives or assigns in a foreign country prior to the date of the application for patent in this country on an application for patent or inventor's certificate filed more than twelve months before the filing of the application in the United States, or"

"(e) the invention was described in a patent granted on an application for patent by another filed in the United States before the invention thereof by the applicant for patent, or on an international application by another who has fulfilled the requirements of paragraphs (1), (2), and (4) of section 371(c) of this title before the invention thereof by the applicant for patent".

Similarly, ***substantial new questions of patentability may also be made under 35 U.S.C. 103 which are based on the above indicated portions of section 102.

***Public Law 98-622 enacted on November 8, 1984, changed a complex body of case law and amended 35 U.S.C. 103 by adding a new sentence which provides that subject matter developed by another which qualifies as prior art only under subsections 102 (f) or (g) of 35 U.S.C. shall not preclude patentability under 35 U.S.C. 103 provided the subject matter and the claimed invention were commonly owned at the time the invention was made. This change overrules the practice under *In re Bass*, 177 USPQ 178, (CCPA, 1973) wherein an earlier invention by a coemployee was treated as prior art under § 102(g) and possibly under § 102(f) with respect to a later invention made by another employee of the same organization. Accordingly, a substantial new question of patentability may be found under 35 U.S.C. 102 (f) or (g)/103 based on the prior invention of another disclosed in a patent or printed publication. See Chapter 2100.

Rejections will not be based on matters other than patents or printed publications, such as public use or sale, inventorship, 35 U.S.C. 101, fraud, etc. A rejection on prior public use or sale, insufficiency of disclosure, etc. cannot be made even if it relies upon a prior patent or printed publication. Prior patents or printed publications must be applied under an appropriate portion of 35 U.S.C. 102 and/or 103 when making a rejection.

Rejections may be made in reexamination proceedings based on intervening patents or printed publica-

tions where the patent claims under reexamination are entitled only to the filing date of the patent and are not supported by an earlier foreign or United States patent application whose filing date is claimed. For example, under 35 U.S.C. 120, the effective date of the claims would be the filing date of the application which resulted in the patent. Intervening patents or printed publications are available as prior art under *In re Ruscetta*, 118 USPQ 101 (CCPA, 1958).

Double patenting is normally proper for consideration in reexamination. See *Ex parte Obiaya*, 227 USPQ 58, 60 (Bd. Appl. 1985).***

Affidavits or declarations which explain the contents or pertinent dates of prior patents or printed publications in more detail may be considered in reexamination, but any rejection must be based upon the prior patents or printed publications as explained by the affidavits or declarations. The rejection in such circumstances cannot be based on the affidavits or declarations as such, but must be based on the prior patents or printed publications.

ADMISSIONS

Admissions by the patent owner as to matters affecting patentability may be utilized in a reexamination proceeding, see 37 CFR 1.106(c).

The rules, 37 CFR 1.06(c), provide that admissions by the patent owner as to matters affecting patentability may be utilized in a reexamination proceeding. The Supreme Court when discussing 35 U.S.C. 103 in *Graham v. John Deere Co.*, 148 USPQ 459 (1966) stated, *inter alia*, "the scope and content of the prior art are to be determined". Accordingly, a proper evaluation of the scope and content of the prior art in determining obviousness would require a utilization of any "admission" by the patent owner whether such admission results from a patent or printed publication or from some other source. Such admission may be used in determining whether a patent or printed publication raises a "substantial new question of patentability" in the determination under 37 CFR 1.515. An admission as to what is in the prior art is simply that, an admission and requires no independent proof. While the scope and content of the admission may sometimes have to be determined, this can be done from the record and from the paper file in the same manner as with patents and printed publications. To ignore an admission by the patent owner, from any source, and not use the admission as prior art in conjunction with patents and printed publications in reexamination would make it impossible for the examiner to properly determine the scope and content of the prior art as required by *Graham*, supra.

The Board of Appeals upheld the use of an admission in a reexamination proceeding in *Ex parte Seiko Koko Kabushiki Kaisha*, 225 USPQ 1260 (1984) and in *Ex parte Kimbell*, 226 USPQ 688 (1985). In *Seiko*, the Board relied on *In re Nomiya*, 184 USPQ 607 (CCPA, 1975) holding an admission of prior art in the specification of the patent undergoing reexamination is considered prior art which may be considered for any pur-

pose, including use as evidence of obviousness under 35 U.S.C. 103. In *Kimbell* the Board referred to the patent specification and noted the admission by appellant that an explosion-proof housing was well known at the time of the invention.

It is noted, however, that the Board in *Ex parte Horton*, 226 USPQ 697 (1985) reversed the examiner, holding that for an admission to form some or all of the basis for a prior art rejection in reexamination proceedings, such admission must necessarily relate to patents or printed publications. The Board further held that the admission, if any, in the parent file related to public use and resolution of this issue is outside the scope of reexamination. It is further noted that the Board in *Ex parte Blackburn*, Appeal No. 587-96 (1985), Patent No. 4,154,382, refused to sustain a rejection based on admission contained in the patent specification and the reexamination file. The Board held the admission in the patent specification is not prior art of the type permitted by 35 U.S.C. 301, i.e., a printed publication or patent. The Board held the admission in the reexamination file to be drawn to public use or sale and outside the scope of reexamination. The Board held 37 CFR 1.106(c) must be interpreted as being with respect to admission pertaining to patents or printed publications.

As noted in the above decisions, in reexamination proceedings admissions can reside in the patent file (made of record during the prosecution of the patent application) or may be presented during the pendency of the reexamination proceeding. With respect to admissions residing in the patent file, the above decisions appear to be in conflict. The *Seiko* and *Kimbell* decisions permit the use of admissions contained in the patent specifications as a basis for rejecting a claim. Neither decision requires that the admission be drawn to a patent or printed publication. The *Horton* and *Blackburn* decisions, however, reject the use of admissions contained in the patent file when the admission is not drawn to a patent or printed publication. In the absence of a definitive decision by the Board or the courts, the examiner is authorized to utilize admissions by the patent owner as to any matter affecting patentability to determine the scope and content of the prior art in conjunction with patents or printed publications which raises a substantial new question of patentability for purposes of ordering reexamination or in a prior art rejection whether such admissions result from patents or printed publications or from some other source. Any prior art (e.g., on sale, public use, etc.) established in the prior record or in court may be used by the examiner in combination with patents or printed publications in a reexamination proceeding.♦

Original patent claims will be examined *only* on the basis of prior art patents or printed publications applied under the appropriate parts of 35 U.S.C. 102 and 103. See ♦MPEP♦ 2217. ♦During reexamination, claims are given the broadest reasonable interpretation consistent with the specification and limitations in the specification are not read into the claims. In *re Yamamoto et al.* 222 USPQ 934 (Fed. Cir. 1984). In a reex-

amination proceeding involving claims of an expired patent, which are not subject to amendment, a policy of liberal (i.e. narrow) construction should be applied. Such a policy favors a construction of a patent claim that will render it valid, i.e., a narrow construction, over a broad construction that would render it invalid. See *In re Papst-Motoren*, 1 USPQ 2d 1659 (Bd. Pat. App. & Inter. 1986). The statutory presumption of validity, 35 U.S.C. 282 has no application in reexamination. In *re Etter*, 225 USPQ 1 (Fed. Cir. 1985).♦

Where some of the patent claims in a patent being reexamined have been the subject of a prior Office or court decision, see ♦MPEP♦ 2242. Where other proceedings involving the patent are copending with the reexamination proceeding, see ♦MPEP♦ 2282-2286.

New claims will be examined on the basis of prior art patents or printed publications and for compliance with 35 U.S.C. 112 including the new matter prohibitions. Amended claims will be examined on the basis of prior art patents and printed publications and for compliance with 35 U.S.C. 112, to the extent that the amendatory matter raises an issue under 35 U.S.C. 112.

The examiner should be aware that new or amended claims are to be examined for compliance with 35 U.S.C. 112 and that consideration of 35 U.S.C. 112 issues should be limited to the amendatory (i.e., new language) matter. For example, a claim which is amended or a new claim which is presented containing a limitation not found in the original patent claim should be considered for compliance under 35 U.S.C. 112 only with respect to that limitation. To go further would be inconsistent with the statute to the extent that 35 U.S.C. 112 issues would be raised as to matter in the original patent claim. Thus, a term in a patent claim which the examiner might deem to be too broad cannot be considered as too broad in a new or amended claim *unless* the amendatory matter in the new or amended claim creates the issue.

Although a request for reexamination may not specify all claims as presenting a substantial new question, each claim of the patent normally will be reexamined. The resulting reexamination certificate will indicate the status of all of the patent claims and any added patentable claims.

Restriction requirements cannot be made in a reexamination proceeding since no statutory basis exists therefor, and no new or amended claims enlarging the scope of a claim of the patent are permitted.

There are matters ancillary to reexamination which are necessary and incident to patentability which will be considered. Amendments may be made to the specification to correct, for example, an inadvertent failure to claim foreign priority or the continuing status of the patent relative to a parent application if such correction is necessary to overcome a reference applied against a claim of the patent. No renewal of previously made claims for foreign priority under 35 U.S.C. 119 or continuing status of the application under 35 U.S.C. 120, is necessary during reexamination. Cor-

rejection of inventorship may also be made during reexamination.

Affidavits under 37 CFR 1.131 and 1.132 may be utilized in a reexamination proceeding. Note, however, that an affidavit under 37 CFR 1.131 may not be used to "swear back" of a reference patent if the reference patent is claiming the same invention as the patent undergoing reexamination. In such a situation the patent owner may, if appropriate, seek to raise this issue in an interference proceeding via an appropriate reissue application if such a reissue application may be filed.

Patent claims not subject to reexamination because of their prior adjudication by a court should be identified.

For handling a dependent claim in reexamination proceedings see MPEP 2260.01. All added claims will be examined.

Where grounds set forth in a prior Office or federal court decision, which are not based on patents or printed publications clearly raise questions as to the claims, the examiner's Office action should clearly state that the claims have not been examined as to those grounds not based on patents or printed publications stated in the prior decision. See 37 CFR 1.552(c). See *In re Knight*, 217 USPQ 294 (Comr. Pats, 1982). All claims under reexamination should, however, be reexamined on the basis of prior patents and printed publications.

If questions other than those indicated above (for example, questions of patentability based on the public use or sale, fraud, abandonment under 35 U.S.C. 102(c), etc.) are discovered during a reexamination proceeding, the existence of such questions will be noted by the examiner in an Office action, in which case the patent owner may desire to consider the advisability of filing a reissue application to have such questions considered and resolved. Such questions could arise in a reexamination requester's 37 CFR 1.510 request or in a 37 CFR 1.535 reply by the requester. Note Form Paragraph 22.03.

22.03 Issue Not Within Scope of Reexamination

It is noted that an issue not within the scope of reexamination proceedings has been raised. [1]. The issue will not be considered in a reexamination proceeding. 37 CFR 1.552(c). While this issue is not within the scope of reexamination, the patentee is advised that it may be desirable to consider filing a reissue application provided that the patentee believes one or more claims to be partially or wholly inoperative or invalid based upon the issue.

Examiner Note:

1. In bracket 1, identify the issues.
2. This paragraph may be used either when the request for reexamination is based upon issues such as public use or sale, fraud, or abandonment of the invention, or when a question is discovered during a reexamination proceeding.

Where a request for reexamination is filed on a patent after a reissue patent for the same patent has already issued, reexamination will be denied because the patent on which the request for reexamination is based has been surrendered. Should reexamination of the reissued patent be desired, a new request for reexamination including and based on the specification

and claims of the reissue patent must be filed. Where the reissue patent issues after the filing of a request for reexamination, note MPEP 2285.***

2259 Collateral Estoppel In Reexamination Proceedings

Sections 2242 and 2286 relate to the Office policy controlling the determination on a request for reexamination and subsequent reexamination where there has been a federal court decision on the merits as to the patent for which reexamination is requested. Since claims held invalid by a federal court will be withdrawn from consideration and not reexamined during a reexamination proceeding, no rejection on the grounds of collateral estoppel will be appropriate in reexamination.

2260 Office Actions [R-4]

37 CFR 1.104 Nature of examination, examiner's action reads in part:

(a) On taking up . . . a patent in a reexamination proceeding, the examiner shall make a thorough study thereof and shall make a thorough investigation of the available prior art relating to the subject matter of the claimed invention. The examination shall be complete with respect both to compliance of the . . . patent under reexamination with the applicable statutes and rules and to the patentability of the invention as claimed, as well as with respect to matters of form, unless otherwise indicated.

(b) . . . in the case of a reexamination proceeding, both the patent owner and the requester, will be notified of the examiner's action. The reasons for any adverse action or any objection or requirement will be stated and such information or references will be given as may be useful in aiding the . . . patent owner, to judge the propriety of continuing prosecution.

It is intended that the examiner's first ex parte action on the merits be the primary action to establish the issues which exist between the examiner and the patent owner insofar as the patent is concerned. At the time the first action is issued the patent owner has already been permitted to file a statement and an amendment pursuant to 37 CFR 1.530 and the reexamination requester, if the requester is not the patent owner, has been permitted to reply thereto pursuant to 37 CFR 1.535. Thus, at this point, the issues should be sufficiently focused to enable the examiner to make a definitive first ex parte action on the merits which should clearly establish the issues which exist between the examiner and the patent owner insofar as the patent is concerned. In view of the fact that the examiner's first action will clearly establish the issues, the first action should include a statement cautioning the patent owner that a complete response should be made to the action since the next action is expected to be a final rejection. The first action should further caution the patent owner that the requirements of 37 CFR 1.116(b) will be strictly enforced after final rejection and that any amendments after final rejection must include "a showing of good and sufficient reasons why they are necessary and were not earlier presented" in order to be considered. The language of Form Paragraph 22.04 is appropriate for inclusion in the first Office action:

22.04 Papers to be Submitted in Response to Action

In order to ensure full consideration of any amendments, affidavits or declarations, or other documents as evidence of patentability, such documents must be submitted in response to this Office action. Submissions after the next Office action, which is intended to be a final action, will be governed by the requirements of 37 CFR 1.116, which will be strictly enforced.

2260.01 Dependent Claims [R-4]

If a base patent claim has been rejected or cancelled, any claim which is directly or indirectly dependent thereon should be allowed if it is otherwise allowable. The dependent claim should *not* be objected to or rejected merely because it depends on a rejected or cancelled claim. No requirement should be made for rewriting the dependent claim in independent form. As the original patent claim numbers are not changed in a reexamination proceeding the content of the cancelled base claim would remain in the printed patent and would be available to be read as a part of the allowed dependent claim.

If a new claim (a claim other than a claim appearing in the patent) has been cancelled in a reexamination proceeding, a claim which depends thereon should be rejected as incomplete. If a new base claim is rejected, a claim dependent thereon should be objected to if it is otherwise allowable and a requirement made for rewriting the dependent claim in independent form.

2261 Special Status For Action [R-4]

35 U.S.C. 305. Conduct of reexamination proceedings.

All reexamination proceedings under this section, including any appeal to the Board of Patent Appeals and Interferences, will be conducted with special dispatch within the Office.

In view of the requirement for "special dispatch" reexamination proceedings will be "special" throughout their pendency in the Office. The examiner's first action on the merits should be completed within *one month* of the filing date of the requester's reply (37 CFR 1.535), or within *one month* of the filing date of the patent owner's statement (37 CFR 1.530) if there is no requester other than the patent owner. If no submissions are made under either 37 CFR 1.530 or 1.535 the first action on the merits should be completed within *one month* of any due date for such submission. Mailing of the first action should occur

within 6 weeks after the appropriate filing or due date of any statement and any reply thereto.

Any cases involved in litigation, whether they are reexamination proceedings or reissue applications, will have priority over all other cases. Reexamination proceedings not involved in litigation will have priority over all other cases except reexaminations or reissues involved in litigation.

2262 Form and Content of Office Action [R-4]

The examiner's first Office action will be a statement of the examiner's position and should be so complete that the second Office action can properly be made a final action. See MPEP 2271.

All Office actions are to be written or dictated and then typed. The first Office action must be sufficiently detailed that the pertinency and manner of applying the cited prior art to the claims is clearly set forth therein. If the examiner concludes in any Office action that one or more of the claims are patentable over the cited patents or printed publications, the examiner should indicate why the claim(s) is clearly patentable in a manner similar to that used to indicate reasons for allowance (MPEP 1302.14). If the record is clear why the claim(s) is clearly patentable, the examiner may refer to the particular portions of the record which clearly establish the patentability of the claim(s). The first action should also respond to the substance of each argument raised by the patent owner and requester pursuant to 37 CFR 1.510, 1.530, and 1.535. If arguments are presented which are inappropriate in reexamination, they should be treated in accordance with 37 CFR 1.552(c). It is especially important that the examiner's action in reexamination be thorough and complete in view of the finality of a reexamination proceeding and the patent owner's inability to file a continuation proceeding.

Normally the title will not need to be changed during reexamination. If a change of the title is necessary, it should be done as early as possible in the prosecution as a part of an Office Action. If all of the claims are allowed and a Notice of Intent to Issue a Reexamination Certificate has been or is to be mailed, a change to the title of the invention by the examiner may only be done by way of an Examiner's Amendment. Changing the title and merely initialling the change is *NOT* permitted in reexamination.

A sample of a first Office action of reexamination proceedings is set forth below:



UNITED STATES DEPARTMENT OF COMMERCE
Patent and Trademark Office

Address: COMMISSIONER OF PATENTS AND TRADEMARKS
Washington, D.C. 20231

REEXAM CONT NO	FILING DATE	PATENT UNDER REEXAMINATION	ATTORNEY DOCKET NO
90/000016	7/02/81	4,444,444	0803071

William Dyre
2400 Jefferson Davis Highway
Arlington, Virginia 22202

(patent owner's correspondence address)

EXAMINER	
V.D. Turner	
ART UNIT	PAPER NUMBER
125	9

DATE MAILED:

MAILED

This is a communication from the examiner in charge of this reexamination.

COMMISSIONER OF PATENTS AND TRADEMARKS

SEP 25 1981

GROUP 120

Responsive to the communication(s) filed on July 2, 1981.

This action is made final.

A shortened statutory period for response to this action is set to expire _____ month(s), _____ days from the date of this letter. Failure to respond within the period for response will cause termination of the proceeding and issuance of a reexamination certificate in accordance with this action. 37 CFR 1.550(a).

Part I THE FOLLOWING ACTION(S) ARE PART OF THIS ACTION:

- 1. Notice of References Cited by Examiner, PTO-892
- 2. Notice of Informal Patent Drawing, PTO-948
- 3. Notice of References Cited, PTO-1449
- 4. _____

Part II SUMMARY OF ACTION:

- 1. Claims 4-6 are subject to reexamination.
- 1.a. Claims 1-3 are not subject to reexamination.
- 2. Claims _____ have been cancelled.
- 3. Claims _____ are confirmed.
- 4. Claims 5 are clearly patentable.
- 5. Claims 4 and 6 are rejected.
- 6. Claim _____ are objected to.
- 7. The formal drawings filed on _____ are acceptable.
- 8. The drawing correction request filed on _____ has been approved. disapproved.
- 9. Acknowledgment is made of the claim for priority under 35 U.S.C. 119. The certified copy has been received. not been received. has been filed in parent application, Serial Number _____ filed on _____.
- 10. Since this proceeding appears to be in condition for issuance of a reexamination certificate except for formal matters, prosecution as to the merits is closed in accordance with the practice under 37 CFR 1.550(a), 1935 C.D. 11, 435 O.G. 213.
- 11. Other _____

Reexam Cont. No. 90/000016

310000100 .OW .3no0 -2-xos#

Claims 1-3 are not being reexamined in view of the decision in A.B.C. Corp. v. Smith in 1978, published at 300 USPQ 1.

Claim 4 and new claim 6 are rejected as being unpatentable over Berridge in view of McGee under 35 U.S.C. 103. Berridge discloses a cutting tool similar to that claimed by Smith, which has pivotal handles with cutting blades and a pair of cutting dies with flat faces being mounted on and projecting at right angles to the plane of the handles. McGee also discloses a cutting tool having a pair of pivotal handles at one end and with jaws at the opposite end, and a pair of dies with mating faces designed for crimping projecting from the jaws of the pliers. To provide the cutting tool of Berridge with dies for crimping as in McGee in place of the flat die surfaces would have been obvious to a person having ordinary skill in the art.

Claim 5 avoids the prior patents and printed publications and is patentable thereover. Claim 5 recites crimping dies in which the grooves are aligned with the pivot axis of the handles. This structure is not shown or taught in the prior art.

Reexam Cont. No. 90/000016

90/000016 100 11000 1000-3-

Newly added claim 6 also appears to involve a question of patentability based on the ground of prior public use raised in the above cited final decision. This issue is not being resolved in the Patent and Trademark Office in this reexamination proceeding but may be resolved before the Office by filing a reissue application (37 CFR 1.552(c)).

The Swiss patent to Hotopp and "American Machinest" magazine article are made of record to show cutting tool devices similar to that claimed in the patent to Smith.

In order to ensure full consideration of any amendments, affidavits, or declarations, or other documents as evidence of patentability, such documents must be submitted in response to this Office action. Submissions after the next Office action, which is intended to be a final action, will be governed by the strict requirements of 37 CFR 1.116, which will be strictly enforced.

cc: Requester

V.D. Turner
V. D. Turner
Primary Examiner
Art Unit 125

FORM PTO-892 (REV. 3-78)		U.S. DEPARTMENT OF COMMERCE PATENT AND TRADEMARK OFFICE		Reexam Cont. No. 90/000016	GROUP UNIT 125	ATTACHMENT TO PAPER NUMBER 9	
NOTICE OF REFERENCES CITED				Patent Owner Smith			
U.S. PATENT DOCUMENTS							
•	DOCUMENT NO.	DATE	NAME	CLASS	SUB-CLASS	FILING DATE IF APPROPRIATE	
A	2 7 2 2 7 9 4	5/34	McGee	140	106		
B	2 5 8 5 4 1 2	4/33	Weid et al	140	106		
C	3 6 2 5 2 9 1	6/36	Paulk et al	140	105		
D							
E							
F							
G							
H							
I							
J							
K							
FOREIGN PATENT DOCUMENTS							
•	DOCUMENT NO.	DATE	COUNTRY	NAME	CLASS	SUB-CLASS	PERTINENT SHTS. PP. DWG SPEC.
L							
M							
N							
O							
P							
Q							
OTHER REFERENCES (Including Author, Title, Date, Pertinent Pages, Etc.)							
R							
S							
T							
U							
EXAMINER V. D. Turner		DATE 08/20/81					
* A copy of this reference is not being furnished with this office action. (See Manual of Patent Examining Procedure, section 707.05 (a).)							

2263 Time for Response [R-4]

A shortened statutory period of TWO MONTHS will be set for response to Office actions, except where the reexamination results from a court order or litigation is stayed for purposes of reexamination, in which case the shortened statutory period will be set at one month. See *MPEP* 2286. Note, however, that this one-month policy does NOT apply to the two-month period for the filing of a statement under 37 CFR 1.530, which two-month period is set by 35 U.S.C. 304.

Where a reexamination proceeding has been stayed because of a copending reissue application, and the reissue application is abandoned, all actions in the reexamination after the stay has been removed will set a one month shortened statutory period unless a longer period for response is clearly warranted by nature of the examiner's action, see *MPEP* 2285.

2264 Mailing of Office Actions

All forms will be structured so that the printer can be used to print the identifying information for the reexamination file and the owner's name and address—usually the legal representative, and only the first owner where there are multiple owners. The forms granting or denying the request for reexamination will have the requester's name and address at the bottom left hand corner so as to provide the patent owner with requester's name and address. All actions will have a courtesy copy mailed to the requester by typing "cc Requester" at the bottom of each action. A transmittal form is used for each requester and owner in addition to the one named on the top of the Office action.

The transmittal form will be used as a master to make a copy to be sent with the Office action to the requester and any additional owner. The number of transmittal form(s) provide a ready reference for the number of copies to be made with each action and allow use of the window envelopes.

When the requester is the patent owner, the reexamination clerk will indicate on the file wrapper: No copies needed—Requester is Owner. A transmittal form could also be placed inside the file with a similar notation to alert typists, the examiner, any anyone else taking part in the processing of the reexamination that no additional copies are needed.

2265 Extension of Time [R-4]

The provisions of 37 CFR 1.136 (a) and (b) are NOT applicable to reexamination proceedings under any circumstances. Public Law 97-247 amended 35 U.S.C. 41 to authorize the Commissioner to charge fees for extensions of time to take action in an "application". A reexamination proceeding does not involve an "application". 37 CFR 1.136 authorizes extensions of the time period only in an application in which an applicant must respond or take action. There is neither an "application", nor an "applicant" involved in a reexamination proceeding. Requests for an extension of time in a reexamination proceeding will be considered only after the decision to grant or deny reexam-

ination is mailed. Any request filed before that decision will be denied. The certificate of mailing (37 CFR 1.8) and "Express Mail" with certificate (37 CFR 1.10) procedures may be used to file any paper in a reexamination proceeding (see *MPEP* 2266).

With the exception of an automatic one month extension of time to take further action which will be granted upon filing a first timely response to a final Office action, all requests for extensions of time to file a patent owner statement under 37 CFR 1.530 or respond to any subsequent Office action in a reexamination proceeding must be filed under 37 CFR 1.550(c) and will be decided by the group director of the patent examining group conducting the reexamination proceeding. These requests for an extension of time will be granted only for sufficient cause and must be filed on or before the day on which action by the patent owner is due. In no case will mere filing of a request for extension of time automatically effect any extension. Evaluation of whether sufficient cause has been shown for an extension must be made in the context of providing the patent owner with a fair opportunity to present an argument against any attack on the patent, and the requirement of the statute (35 U.S.C. 305) that the proceedings be conducted with special dispatch. In no case, except in the after final practice noted above, will the mere filing of a request effect any extension.

Any request for an extension of time in a reexamination proceeding must fully state the reasons therefor. All requests must be submitted in a separate paper which will be forwarded to the group director for action. A request for an extension of the time period to file a petition from the denial of a request for reexamination can only be entertained by filing a petition under 37 CFR 1.183 with appropriate fee to waive the time provisions of 37 CFR 1.515(c). Since the reexamination examination process is intended to be essentially ex parte, the party requesting reexamination can anticipate that requests for an extension of time to file a petition under 37 CFR 1.515(c) will be granted only in extraordinary situations. No extensions will be permitted to the time for filing a reply under *37 CFR* 1.535 by the requester in view of the two month statutory period.

Ex parte prosecution will be conducted by initially setting either a one or a two month shortened period for response, see *MPEP* 2263. The patent owner also will be given a two-month statutory period after the order for reexamination to file a statement. 37 CFR 1.530(b). First requests for extensions of these statutory time periods will be granted for sufficient cause, and for a reasonable time specified—usually one month. The reasons stated in the request will be evaluated by the group director, and the requests will be favorably considered where there is a factual accounting of reasonably diligent behavior by all those responsible for preparing a response within the statutory time period. Second or subsequent requests for extensions of time or requests for more than one month will be granted only in extraordinary situa-

tions. Any request for an extension of time in a reexamination proceeding to file a notice of appeal, a brief or reply brief, a request for reconsideration or rehearing, or a notice and reasons of appeal to the U.S. Court of Appeals for the Federal Circuit or for commencing a civil action, will be considered under the provisions of 37 CFR 1.550(c).

FINAL ACTION—TIME FOR RESPONSE

The after-final practice in reexamination proceedings did not change Oct. 1, 1982, and the automatic extension of time policy for response to a final rejection and associated practice are still in effect in reexamination proceedings.

The filing of a timely first response to a final rejection having a shortened statutory period for response is construed as including a request to extend the shortened statutory period for an additional month, which will be granted even if previous extensions have been granted, but in no case may the period for response exceed six months from the date of the final action. Even if previous extensions have been granted, the primary examiner is authorized to grant the request for extension of time which is implicit in the filing of a timely first response to a final rejection. An object of this practice is to obviate the necessity for appeal merely to gain time to consider the examiner's position in reply to an amendment timely filed after final rejection. Accordingly, the shortened statutory period for response to a final rejection to which a proposed response has been received will generally be extended one month.

Normally, examiners will complete a response to an amendment after final rejection within five days after receipt thereof. In those rare situations where the advisory action cannot be mailed in sufficient time for the patent owner to consider the examiner's position with respect to the proposed response before termination of the proceeding, the granting of additional time to complete the response to the final rejection or to take other appropriate action would be appropriate. The advisory action form (PTOL-303) states that "THE PERIOD FOR RESPONSE IS EXTENDED TO RUN—MONTHS FROM THE DATE OF THE FINAL REJECTION." The blank before "MONTHS" should be filled in with an integer (4, 5, or 6); fractional months should not be indicated. In no case can the period for reply to the final rejection be extended to exceed six months from the mailing date thereof.

EXTENSIONS OF TIME TO SUBMIT AFFIDAVITS AFTER FINAL REJECTION

Frequently, patent owners request an extension of time, stating as a reason therefor that more time is needed in which to submit an affidavit. When such a request is filed after final rejection, the granting of the request for extension of time is without prejudice to the right of the examiner to question why the affidavit is now necessary and why it was not earlier presented. If the patent owner's showing is insufficient, the examiner may deny entry of the affidavit, not-

withstanding the previous grant of an extension of time to submit it. The grant of an extension of time in these circumstances serves merely to keep the proceeding from becoming terminated while allowing the patent owner the opportunity to present the affidavit or to take other appropriate action. Moreover, prosecution of the reexamination to save it from termination must include such timely, complete and proper action as required by 37 CFR 1.113. The admission of the affidavit for purposes other than allowance of the claims, or the refusal to admit the affidavit, and any proceedings relative, thereto, shall not operate to save the proceeding from termination.

Implicit in the above practice is the fact that affidavits submitted after final rejection are subject to the same treatment as amendments submitted after final rejection. *In re Affidavit Filed After Final Rejection*, 152 USPQ 292, 1966 C.D. 53 (Comr. Pats. 1966)

2266 Responses [R-4]

If the patent owner fails to file a timely and appropriate response to any Office action, the reexamination proceeding will be terminated and the Commissioner will proceed to issue a reexamination certificate. The certificate will normally issue indicating the status of the claims as indicated in the last Office action. All rejected claims should be cancelled.

The patent owner may request reconsideration of the position stated in the Office action, with or without amendment to the claims. Any request for reconsideration must be in writing and must distinctly and specifically point out the supposed errors in the examiner's action. A general allegation that the claims define a patentable invention without specifically pointing out how the language of the claims patentably distinguishes them over the references is inadequate and is not in compliance with 37 CFR 1.111(b).

Affidavits under 37 CFR 1.131 and 1.132 may be utilized in a reexamination proceeding. Note, however, that an affidavit under 37 CFR 1.131 may not be used to "swear back" of a reference patent if the reference patent is claiming the same invention as the patent undergoing reexamination. In such a situation the patent owner may, if appropriate, seek to raise this issue in an interference proceeding via an appropriate reissue application if such a reissue application may be filed.

The certificate of mailing procedures (37 CFR 1.8 and 1.10) may be used to file any paper in a reexamination proceeding.

2267 Handling of Inappropriate or Untimely Filed Papers [R-4]

The applicable regulations (37 CFR 1.501(a), 1.550(e)) provide that certain types of correspondence will not be considered or acknowledged unless timely received. In every case, a decision is required as to the type of paper and whether it is timely.

The return of inappropriate submissions complies with the regulations that certain papers will not be

considered and also reduces the amount of paper which would ultimately have to be stored with the patent file.

DISPOSITION OF PAPERS

Where papers are filed during reexamination proceedings which are inappropriate because of some defect, such papers will either be returned to the sender or forwarded to one of three files, the "Reexamination File", the "Patent File" or the "Storage File". Any papers returned to the sender from an examining group must be accompanied by a letter indicating signature and approval of the group director.

TYPES OF PAPERS RETURNED WITH COMMISSIONER OR GROUP DIRECTOR'S APPROVAL REQUIRED

- Filed by Owner**
§ 1.530
§ 1.540
 - Filed by Requester**
§ 1.535
 - § 1.535
§ 1.540
 - § 1.550(e)
 - Filed by Third Party**
§ 1.501
§ 1.565(a)
- A. Premature Response by Owner**
Where the patent owner is not the requester, any response or amendment filed by owner prior to an order to reexamine is premature and will be returned and will not be considered.
 - A. No Statement Filed by Owner**
If a patent owner fails to file a statement within the prescribed limit, any reply by the requester is inappropriate and will be returned and will not be considered.
 - B. Late Response by Requester**
Any response subsequent to two months from the date of service of the patent owner's statement will be returned and will not be considered.
 - C. Additional Response by Requester**
The active participation of the reexamination requester ends with the reply pursuant to § 1.535. Any further submission on behalf of requester will be returned and will not be considered.
 - Unless a paper submitted by a third party raises only issues appropriate under § 1.501, or consists solely of a prior decision on the patent by another forum, e.g., a court (see *MPEP* 2207, 2282 and 2286), it will be returned to an identified third party or destroyed if the submitter is unidentified.

The "Reexamination File" and the "Patent File" will remain together in central storage area prior to a determination to reexamine but once an order to reexamine is mailed, the "Patent File" will be maintained in the assigned examiner's room.

TYPES OF DEFECTIVE PAPERS TO BE LOCATED IN THE "REEXAMINATION FILE"

- Filed by Owner**
§ 1.33
 - § 1.248
 - § 1.530(b)
§ 1.540
- A. Unsigned Papers**
Papers filed by owner which are unsigned or signed by less than all of the owners (no attorney of record or acting in representative capacity).
 - B. No Proof of Service**
Papers filed by the patent owner in which no proof of service on requester is included and proof of service is required, may be denied consideration.
 - C. Untimely Papers**
Where owner has filed a paper which is untimely, that is, it was filed after the period set for response, the paper will not be considered.
 - A. Unsigned Papers**

- Filed by Requester**
§ 1.510(b)(5)
§ 1.33
§ 1.248
- Papers filed by requester which are unsigned will not be considered.**
 - B. No Proof of Service**
Papers filed by requester in which no proof of service on owner is included and where proof of service is required may be denied consideration.

The "Storage File" will be maintained separate and apart from the other two files and at a location selected by the group director. For example, the group director may want to locate the "Storage File" in a central area in the group as with the reexamination clerk or in his own room.

PAPERS LOCATED IN THE "STORAGE FILE"

- § 1.501
 - § 1.550(e)
- Citations by Third Parties**
Submissions by third parties based solely on prior art patents or publications filed after the date of the order to reexamine are not entered into the patent file but delayed until the reexamination proceedings have been terminated.

Proper timely filed citations by third parties are placed in the "Patent File".

2268 Petitions for Entry of Late Papers [R-4]

Due to the "special dispatch" provision of *35 U.S.C. 305 it is necessary and appropriate that the Office adhere strictly to the time limit set by the Rules. However, due to the fact substantial property rights are involved in patents undergoing reexamination, the Office will consider, in appropriate circumstances, petitions to waive the rules pursuant to 37 CFR 1.183 where untimely papers are filed subsequent to the order for reexamination (*37 CFR 1.525). Such petitions will be decided by the Assistant Commissioner for Patents. Any such petition must detail the specific circumstances necessitating the request for waiver and provide evidence to support the request. Petitioners are cautioned that such petitions will only be granted in extraordinary circumstances where justice requires the granting of the relief sought.

Under ordinary circumstances, the failure to timely file a statement pursuant to *37 CFR 1.530 or a reply pursuant to *37 CFR 1.535 would not constitute adequate basis to justify a waiver of the rule regardless of the reasons for the failure since no rights are lost by the failure to file these documents. However, the failure to timely respond to an Office action rejecting claims may, in *rare circumstances, justify waiver of the rules if the situation is "extraordinary" and if "justice requires" the waiver since rights may be lost by the failure to timely respond. In this regard see *In re Sivertz*, 227 USPQ 255 (Comr. Pats. 1985); *In re Reck*, 227 USPQ 488 (Comr. Pats. 1985); *In re Sivertz*, 228 USPQ 617 (Comr. Pats. 1985); and *In re Bachler*, 229 USPQ 553 (Comr. Pats. 1986).

2269 Reconsideration [R-4]

After response by the patent owner (37 CFR 1.111), the patent under reexamination will be reconsidered and the patent owner notified if claims are re-

jected or objections or requirements made. The patent owner may respond to such Office action with or without amendment and the patent under reexamination will be again considered, and so on repeatedly unless the examiner has indicated that the action is final. See 37 CFR 1.112. Any amendment after the second Office action, which will normally be final as provided for in *MPEP* 2271, must ordinarily be restricted to the rejection or to the objection or requirement made.

2270 Clerical Handling [R-4]

The person designated as the reexamination clerk will handle most of the initial clerical processing of the reexamination file.

Amendments which comply with 37 CFR 1.121(f) will be entered for purposes of reexamination in the reexamination file wrapper. See *MPEP* 2234 and 2250 for manner of entering amendments.

For entry of amendments in a merged reissue-reexamination proceeding, see *MPEP* 2283 and 2285.

All amendments to the specification prior to final action will be entered for purposes of the reexamination proceeding even though they do not have legal effect until the certificate is issued. Any "new matter" amendment will be required to be canceled from the description and claims containing new matter will be rejected under 35 U.S.C. 112. A "new matter" amendment to the drawing is ordinarily not entered. See *MPEP* 608.04, 608.04 (a) and (c).

2271 Final Action [R-4]

Before a final action is in order, a clear issue should be developed between the examiner and the patent owner. To bring the prosecution to a speedy conclusion and at the same time deal justly with the patent owner and the public, the examiner will twice provide the patent owner with such information and references as may be useful in defining the position of the Office as to unpatentability before the action is made final. Initially, the decision ordering reexamination of the patent will contain an identification of the new questions of patentability that the examiner considers to be raised by the prior art considered. In addition, the first Office action will reflect the consideration of any arguments and/or amendments contained in the request, the owner's statement filed pursuant to 37 CFR 1.530, and any reply thereto by the requester, and should fully apply all relevant grounds of rejection to the claims.

The statement which the patent owner may file under 37 CFR 1.530 and the response to the first Office action should completely respond to and/or amend with a view to avoiding all outstanding grounds of rejection.

It is intended that the second Office action in the reexamination proceeding following the decision ordering reexamination will be made final in accordance with the guidelines set forth in *MPEP* 706.07(a). The examiner should not prematurely cut off the prosecution with a patent owner who is seeking to define the invention in claims that will offer the

patent protection to which the patent owner is entitled. However, both the patent owner and the examiner should recognize that a reexamination proceeding may result in the final cancellation of claims from the patent and that the patent owner does not have the right to renew or continue the proceedings by refiling under 37 CFR 1.60 or 1.62. Complete and thorough actions by the examiner coupled with complete responses by the patent owner, including early presentation of evidence under 37 CFR 1.131 or 1.132, will go far in avoiding such problems and reaching a desirable early termination of the reexamination proceeding.

In making a final rejection, all outstanding grounds of rejection of record should be carefully reviewed and any grounds or rejection relied upon should be reiterated. The grounds of rejection must (in the final rejection) be clearly developed to such an extent that the patent owner may readily judge the advisability of an appeal. However, where a single previous Office action contains a complete statement of a ground of rejection, the final rejection may refer to such a statement and also should include a rebuttal of any arguments raised in the patent owner's response. The final rejection letter should conclude with a statement that: "The above rejection is made *Final*."

As with all other Office correspondence on the merits in a reexamination proceeding, the final Office action must be signed by a primary examiner.

2272 After Final Practice [R-4]

It is intended that prosecution before the examiner in a reexamination proceeding will be concluded with the final action. Once a final rejection that is not premature has been entered in a reexamination proceeding, the patent owner no longer has any right to unrestricted further prosecution. Consideration of amendments submitted after final rejection will be governed by the strict standards of 37 CFR 1.116. Both the examiner and the patent owner should recognize that substantial patent rights will be at issue with no opportunity for the patent owner to refile under 37 CFR 1.60 or 1.62 in order to continue prosecution. Accordingly, both the examiner and the patent owner should identify and develop all issues prior to the final Office action, including the presentation of evidence under 37 CFR 1.131 and 1.132.

FINAL REJECTION—TIME FOR RESPONSE

The statutory period for response in a reexamination proceeding will normally be two (2) months. If a response to the final rejection is filed the period for response typically will be extended to run 3 months from the date of the final rejection in the advisory action unless a previous extension of time has been granted or the advisory action cannot be mailed in sufficient time. See also *MPEP* 2265.

ACTION BY EXAMINER

It should be kept in mind that a patent owner cannot, as a matter of right, amend any finally rejected claims, add new claims after a final rejection, or reinstate previously canceled claims. A showing

under 37 CFR 1.116(b) is required and will be evaluated by the examiner for all proposed amendments after final rejection except where an amendment merely cancels claims, adopts examiner's suggestions, removes issues for appeal, or in some other way requires only a cursory review by the examiner. An amendment filed at any time after final rejection but before an appeal brief is filed, may be entered upon or after filing of an appeal provided the total effect of the amendment is to (1) remove issues for appeal, and/or (2) adopt examiner suggestions.

The first proposed amendment after final action in a reexamination proceeding will be given sufficient consideration to determine whether it places all the claims in condition where they are patentable and/or whether the issues on appeal are reduced or simplified. Unless the proposed amendment is entered in its entirety, the examiner will briefly explain the reasons for not entering a proposed amendment. For example, if the claims as amended present a new issue requiring further consideration or search, the new issue should be identified and a brief explanation provided as to why a new search or consideration is necessary. The patent owner should be notified if certain portions of the amendment would be entered if a separate paper was filed containing only such amendment.

Any second or subsequent amendment after final will be considered only to the extent that it removes issues for appeal or puts a claim in obvious patentable condition.

Since patents undergoing reexamination cannot become abandoned and cannot be refiled, and since the holding of claims unpatentable and canceled in a certificate is absolutely final it is appropriate that the examiner consider the feasibility of entering amendments touching the merits after final rejection or after appeal has been taken, where there is a showing why the amendments are necessary and a suitable reason is given why they were not earlier presented.

2273 Appeal in Reexamination [R-4]

35 U.S.C. 306. Appeal. The patent owner involved in a reexamination proceeding under this chapter may appeal under the provisions of section 134 of this title, and may seek court review under the provisions of sections 141 to 145 of this title, with respect to any decision adverse to the patentability of any original or proposed amended or new claim of the patent.

A patent owner who is dissatisfied with the primary examiner's decision in the second or final rejection of his or her claims may appeal to the Board of *Patent Appeals and Interferences* for review of the rejection by filing a Notice of Appeal within the required time. A Notice of Appeal must be signed by the patent owner or his or her attorney or agent, and be submitted along with the fee required by 37 CFR 1.17(e), (37 CFR 1.191(a)).

The period for filing the Notice of Appeal is the period set for response in the last Office action which is normally two (2) months. The timely filing of a first response to a final rejection having a shortened statutory period for response is construed as including a request to extend the period for response an addition-

al month, even if an extension has been previously granted, as long as the period for response does not exceed six (6) months from the date of the final rejection. The normal ex parte appeal procedures set forth at 37 CFR 1.191-1.198 apply in reexamination. The requester cannot appeal or otherwise participate in the appeal.

2274 Appeal Brief [R-4]

Where the brief is not filed, but within the period allowed for filing the brief an amendment is presented which places the claims of the patent under reexamination in a patentable condition, the amendment may be entered. Amendments should not be included in the appeal brief.

The time for filing the appeal brief is two (2) months from the date of the appeal or alternatively, within the time allowed for response to the action appealed from, if such time is later.

In the event that the patent owner finds that he or she is unable to file a brief within the time allowed by the rules, he or she may file a petition without any fee, to the examining group, requesting additional time (usually one month), and give reasons for the request. The petition should be filed in duplicate and contain the address to which the response is to be sent. If sufficient cause is shown and the petition is filed prior to the expiration of the period sought to be extended (37 CFR 1.192), the group director is authorized to grant the extension for up to one month. Requests for extensions of time for more than one month will also be decided by the group director, but will not be granted, unless extraordinary circumstances are involved, e.g., death or incapacitation of the patent owner. The time extended is added to the last calendar day of the original period, as opposed to being added to the day it would have been due when said last day is a Saturday, Sunday or Federal holiday.

Failure to file the brief within the permissible time will result in dismissal of the appeal. The reexamination proceeding is then terminated and a certificate is issued indicating the status of the claims at the time of appeal.

A fee as set forth in 37 CFR 1.17(f) is required when the appeal brief is filed for the first time in a particular reexamination proceeding, 35 U.S.C. 41(a). 37 CFR 1.192 provides that the appellant shall file a brief of the authorities and arguments on which he or she will rely to maintain his or her appeal, including a concise explanation of the invention which should include a reference to the invention which should include a reference to the drawing by reference characters, and a copy of the claims involved. 37 CFR 1.192(a) requires the submission of three copies of the appeal brief.

For the sake of convenience, the copy of the claims involved should be double spaced.

The brief, as well as every other paper relating to an appeal, should indicate the number of the examining group to which the reexamination is assigned and

the reexamination control number. When the brief is received, it is forwarded to the examining group where it is entered in the file, and referred to the examiner.

Patent owners are reminded that their briefs in appeal cases must be responsive to every ground of rejection stated by the examiner. A reply brief should be filed in response to any new grounds stated in the examiner's answer.

Where an appellant fails to respond by way of brief or reply brief to any ground of rejection, and it appears that the failure is inadvertent, appellant should be notified by the examiner that he or she is allowed one month to correct the defect by filing a supplemental brief. Where this procedure has not been followed, the Board of Patent Appeals and Interferences should remand the reexamination file to the examiner for compliance. When the record clearly indicates intentional failure to respond by brief to any ground of rejection, for example, by failure to file a supplemental brief within the one-month period allowed for that purpose, the examiner should inform the Board of Patent Appeals and Interferences of this fact in his or her answer and merely specify the claim affected.

Where the failure to respond by brief appears to be intentional, the Board of Patent Appeals and Interferences may dismiss the appeal as to the claims involved. Oral argument at a hearing will not remedy such deficiency of a brief.

The mere filing of any paper whatever entitled as a brief cannot necessarily be considered as compliance with 37 CFR 1.192. The rule requires that the brief must set forth the authorities and arguments relied upon, and to the extent that it fails to do so with respect to any ground of rejection, the appeal as to that ground may be dismissed.

It is essential that the Board of Patent Appeals and Interferences should be provided with a brief fully stating the position of the appellant with respect to each issue involved in the appeal so that no search of the record is required in order to determine that position. The fact that appellant may consider a ground to be clearly improper does not justify a failure on the part of the appellant to point out to the Board the reasons for that view in the brief.

A distinction must be made between the lack of any argument and the presentation of arguments which carry no conviction. In the former case dismissal is in order, while in the latter case a decision on the merits is made, although it may well be merely an affirmation based on the grounds relied on by the examiner.

Appellant must traverse every ground of rejection set forth in the final rejection. Oral argument at the hearing will not remedy such a deficiency in the brief. Ignoring or acquiescing in any rejection, even one based upon formal matters which could be cured by subsequent amendments, will invite a dismissal of the appeal. The reexamination proceedings are considered terminated as of the date of the dismissal.

2275 Examiner's Answer [R-4]

Sections 1208-1208.02 of the MPEP relate to preparation of examiner's answers in appeals. The procedures covered in these sections apply to appeals in both patent applications and patents undergoing reexamination proceedings.

2276 Oral Hearing [R-4]

If appellant desires an oral hearing, appellant must file a written request for such hearing accompanied by the fee set forth in *37 CFR 1.17(g) within one month after the date of the examiner's answer.

Where the appeal involves patents undergoing reexamination, oral hearings are open to the public as observers unless the appellant requests that the hearing not be open to the public and presents valid reasons for such a request.

Section 1209 of the MPEP relates to oral hearings in appeals in both patent applications and patents undergoing reexamination.

2277 Board of Patent Appeals and Interferences Decision [R-4]

Sections 1213 through 1213.02 of the MPEP relate to decisions of the Board of Patent Appeals and Interferences.

2278 Action Following Decision [R-4]

Sections 1214.01-1214.07 of the MPEP relate to the handling of applications and patents undergoing reexamination after the appeal has been concluded.

2279 Appeals to Courts [R-4]

The normal appeal route provided to the United States Court of Appeals for the Federal Circuit is available to a patent owner not satisfied with the decision of the Board of Patent Appeals and Interferences.

The normal remedy by civil action under 35 U.S.C. 145 is provided for the owner of a patent in a reexamination proceeding.

***While the reexamination statutory provisions do not provide for participation by requester during any court review, a court has permitted intervention in appropriate circumstances, see *Reed v. Quigg*, 230 USPQ 62 (D.C.D.C. 1986).

See also *MPEP 1216, 1216.01, and 1216.02.

2280 Duty of Disclosure in Reexamination Proceedings [R-4]

37 CFR 1.555 Duty of disclosure in reexamination proceedings. (a) A duty of candor and good faith toward the Patent and Trademark Office rests on the patent owner, on each attorney or agent who represents the patent owner, and on every other individual who is substantively involved on behalf of the patent owner in a reexamination proceeding. All such individuals who are aware, or become aware, of patents or printed publications material to the reexamination which have not been previously made of record in the patent file must bring such patents or printed publications to the attention of the Office. An information disclosure statement, preferably in accordance with § 1.98, should be filed within two months of the date of the order for reexamination, or as soon thereafter as possible in order to bring such patents or printed publications to the attention of the Office.

(b) Disclosures pursuant to this section must be accompanied by a copy of each foreign patent document or nonpatent printed publication which is being disclosed or by a statement that the copy is not in the possession of the person making the disclosure and may be made to the Office through an attorney or agent having responsibility on behalf of the patent owner for the reexamination proceeding or through a patent owner acting in his or her own behalf. Disclosure to such an attorney, agent or patent owner shall satisfy the duty of any other individual. Such an attorney, agent or patent owner has no duty to transmit information which is not material to the reexamination.

(c) The duties of candor, good faith, and disclosure required in paragraph (a) of this section have not been complied with if any fraud was practiced or attempted on the Office or there was any violation of the duty of disclosure through bad faith or gross negligence by, or on behalf of, the patent owner in the reexamination proceeding.

(d) The responsibility for compliance with this section rests upon the individuals identified in paragraph (a) of this section and no evaluation will be made in the reexamination proceeding by the Office as to compliance with this section. If questions of compliance with this section are discovered during a reexamination proceeding, they will be noted as unresolved questions in accordance with § 1.552(c).

The duty of disclosure in reexamination proceedings applies to the patent owner; to each attorney or agent who represents the patent owner, and to every other individual who is substantially involved on behalf of the patent owner. That duty is a continuing obligation on all such individuals throughout the proceeding. The continuing obligations during the reexamination proceeding is that any such individual who is aware of or becomes aware of, patents or printed publications which are material to the reexamination which have not previously been made of record in the patent file must bring such patents or printed publications to the attention of the Office.

Such individuals are strongly encouraged to file information disclosure statements, preferably in accordance with *37 CFR 1.98, within two months of the date of the order to reexamine, or as soon thereafter as possible, in order to bring the patents or printed publications to the attention of the Office. An information disclosure statement filed under 37 CFR 1.555 by the patent owner after the order for reexamination and before the first action on the merits may be submitted as part of the statement under 37 CFR 1.530 or may be filed as a separate paper. If the information disclosure statement is filed as part of a statement under 37 CFR 1.530, the submission may include a discussion of the patentability issues in the reexamination. If, however, the submission is filed as a separate paper, not part of a statement under 37 CFR 1.530, the submission must be limited to a listing of the prior art and an explanation of its relevance. See 37 CFR 1.98. Any discussion of the prior art relating to patentability issues in the reexamination would be improper.

Any individual substantially involved in the reexamination proceeding may satisfy his or her duty by disclosing the information to the attorney or agent having responsibility for the reexamination proceeding or to a patent owner acting in his or her own behalf. A patent owner may satisfy his or her duty by disclosing the information to the attorney or agent having responsibility for the reexamination proceed-

ing. An attorney, agent, or patent owner who receives information has no duty to submit such information if it is not material to the reexamination. See *37 CFR 1.56(a) for the definition of "materiality".

The responsibility of compliance with *37 CFR 1.555 rests on all such individuals. Any fraud practiced or attempted on the Office or any violation of the duty of disclosure through bad faith or gross negligence by any such individual results in noncompliance with *37 CFR 1.555(a). This duty of disclosure is consistent with the duty placed on patent applicants by *37 CFR 1.56(a), with the exception that issues of fraud are not considered in reexamination proceedings. Any such issues discovered during a reexamination proceeding will merely be noted as unresolved questions under *37 CFR 1.552(c).

All such individuals who fail to comply with *37 CFR 1.555(a) do so at the risk of diminishing the quality and reliability of the patent reexamination certificate issuing from the proceeding.

For the patent owner's duty to disclose prior or concurrent proceedings in which the patent is or was involved, see *MPEP 2282

2281 Interviews In Reexamination Proceedings [R-4]

37 CFR 1.560 Interviews in reexamination proceedings. (a) Interviews in reexamination proceedings pending before the Office between examiners and the owners of such patents or their attorneys or agents of record must be had in the Office at such times, within Office hours, as the respective examiners may designate. Interviews will not be permitted at any other time or place without the authority of the Commissioner. Interviews for the discussion of the patentability of claims in patents involved in reexamination proceedings will not be had prior to the first official action thereon. Interviews should be arranged for in advance. Requests that reexamination requesters participate in interviews with examiners will not be granted.

(b) In every instance of an interview with an examiner, a complete written statement of the reasons presented at the interview as warranting favorable action must be filed by the patent owner. An interview does not remove the necessity for response to Office actions as specified in § 1.111.

Only ex parte interviews between the examiner and patent owner and/or the patent owner's representative are permitted. Requests by reexamination requesters to participate in or to attend interviews will not be granted.

Unless the Deputy Assistant Commissioner for Patents authorizes otherwise, interviews between examiner and the owners of patents undergoing reexamination or their attorneys or agents must be had in the Office at such times, within Office hours, as the respective examiners may designate.

Interviews for the discussion of the patentability of claims in patents involved in reexamination proceedings will not be had prior to the first official action following the order for reexamination and any submissions pursuant to *37 CFR 1.530 and § 1.535.

However, questions on purely procedural matters may be answered by the examiner. Except for questions on strictly procedural matters, an examiner will not conduct personal or telephone interviews with re-

questers or other third parties with respect to a patent in which a request for reexamination has been filed.

In every instance of an interview with the examiner, a complete written statement of the reasons presented at the interview as warranting favorable action must be filed by the patent owner. This requirement may not be waived by the examiner. Patent owners are encouraged to submit such written statement as soon after the interview as is possible, but no later than the next communication to the Office. Service of the written statement of the interview on the requester is required.

The examiner must complete the present two-sheet carbon interleaf Interview Summary form PTOL-413 for each interview held where a matter of substance has been discussed (See *MPEP* 713.04). The duplicate copy of the form should be detached and given to the patent owner at the conclusion of the interview. The original should be made of record in the reexamination file and a copy mailed to the requester.

The general procedure for conducting interviews and recording same are described at *MPEP* 713.01-713.04.

2282 Notification of Existence of Prior or Concurrent Proceedings and Decisions Thereon [R-4]

37 CFR 1.565 Concurrent office proceedings. (a) In any reexamination proceeding before the Office, the patent owner shall call the attention of the Office to any prior or concurrent proceedings in which the patent is or was involved such as interferences, reissue, reexaminations, or litigation and the results of such proceedings.

It is important for the Office to be aware of any prior or concurrent proceedings in which a patent undergoing reexamination is or was involved, such as interferences, reissues, reexaminations or litigations, and any results of such proceedings. *37 CFR* 1.565(a) requires the patent owner to provide the Office with information regarding the existence of any such proceedings, and the results thereof, if known. Ordinarily, no submissions of any kind by third parties filed after the date of the order are placed in the reexamination or patent file while the reexamination proceeding is pending. However, in order to ensure a complete file, with updated status information regarding prior or concurrent proceedings regarding the patent under reexamination, the Office will accept at any time copies of notices of suits and other proceedings involving the patent and copies of decisions or papers filed in the court from litigations or other proceedings involving the patent from the parties involved or third parties for placement in the patent file. Persons making such submissions must limit the submissions to the notification and not include further arguments or information. Any proper submissions will be promptly placed of record in the patent file. See *MPEP* 2286 for Office investigation for prior or concurrent litigation.

2283 Multiple Copending Reexamination Proceedings [R-4]

37 CFR 1.565 Concurrent office proceedings.

(c) If reexamination is ordered while a prior reexamination proceeding is pending, the reexamination proceedings will be consolidated and result in the issuance of a single certificate under § 1.570.

If reexamination is ordered on a request for reexamination while a prior reexamination proceeding is still pending, the decision on whether or not to combine the proceedings will be made by the group director of the examining group where the reexamination is pending. No decision on combining the reexamination should be made until such time as reexamination is actually ordered in the later filed request for reexamination.

Two situations are possible where a question as to merger of reexamination proceedings is raised:

PROCEEDINGS MERGED

If a second request is filed where the first certificate will issue after 3 months from the filing of the second request, the proceedings normally will be merged. In this situation the second request is decided based on the original patent claims and if reexamination is ordered, the reexamination proceedings normally would be merged. If the first certificate is in issue it will be withdrawn from issue. The second reexamination proceeding will be merged with the first reexamination proceeding and prosecution will continue after the patent owner and second requester have been given an opportunity to file a statement and reply, respectively.

If the second request is based upon essentially the same patents or publications as in the first request or on patents or printed publications which raise essentially the same issues as those raised in the first request, the examination of the merged proceeding will continue at the point reached in the first reexamination proceeding. If, however, new patents or printed publications are presented in the second request which raise different questions than those raised in the first request, then prosecution in the merged reexamination proceeding will be reopened to the extent necessary to fully treat the questions raised.

The patent owner will be provided with an opportunity to respond to any new rejection in a merged reexamination proceeding prior to the action being made final. See *MPEP* 2271. If the reexamination proceedings are combined, a single certificate will be issued based upon the combined proceedings, *37 CFR* 1.565(c).

SUSPENSIONS

It may also be desirable in certain situations to suspend a proceeding for a short and specified period of time. For example, a suspension of a first reexamination proceeding may be issued to allow time for the

patent owner's statement and the requester's reply in a second proceeding prior to merging. Further, after the second proceeding has been ordered, it may be desirable to suspend the second proceeding where the first proceeding is presently on appeal before a federal court to await the court's decision prior to merging. A suspension will only be granted in exceptional instances because of the statutory requirements that examination proceed with "special dispatch" and must be with the express written approval of the group director. Suspension will not be granted when there is an outstanding Office action.

MERGERS OF REEXAMINATION

The following guidelines should be observed when two requests for reexamination directed to a single patent have been filed.

The second request (Request 2) should be processed as quickly as possible and assigned to the same examiner to which the first request (Request 1) is assigned. Request 2 should be decided immediately without waiting the usual period. If Request 2 is denied, ex parte prosecution of Request 1 should continue. If Request 2 is granted and the proceedings are merged, combined prosecution should be carried out once the patent owner's statement and any reply by the requester have been received in Request 2.

If ex parte prosecution has not begun on Request 1, it should be processed up to that point and then normally held until Request 2 is ready for ex parte action following the statement and reply or until Request 2 is denied. Request 2 should be determined on its own merits without reference to Request 1.

The decision by the group director merging the reexamination proceedings should include a requirement that the patent owner maintain identical claims in both files. Any responses by the patent owner must consist of a single response, addressed to both files, filed in duplicate each bearing an original signature, for entry in both files. Both files will be maintained as separate complete files.

When ex parte prosecution is appropriate in merged proceedings, a single combined examiner's action will be prepared. Each action will cross reference the two proceedings. A separate action cover form for each proceeding will be printed by the PALM printer for each reexamination request control number. Each requester will get a copy of the action with the appropriate cover form. The patent owner will get a copy of each cover form and the body of the action.

When a "Notice Of Intent To Issue A Reexamination Certificate" (NIRC) is appropriate, plural notices will be printed. Both reexamination files will then be processed. The group should prepare the file of the concurrent proceedings in the manner specified in *MPEP 2287 before release to Office of Publications.

The above guidelines should be extended to those situations where more than two requests are filed for a single patent.

PROCEEDING NOT MERGED

If a second request is filed where the first reexamination certificate will issue within 3 months from the filing of the second request, the proceedings normally will not be merged. If the certificate on the first reexamination proceeding will issue before the decision on the second request must be decided, the reexamination certificate is allowed to issue. The second request is then considered based upon the claims in the patent as indicated in the issued reexamination certificate rather than the original claims of the patent. In such situations the proceedings will not be merged. In NO case should a decision on the second request be delayed beyond its three month deadline.

FEES IN MERGED PROCEEDINGS

Where the proceedings have been merged and a paper is filed which requires payment of a fee (e.g., petition fee, appeal fee, brief fee, oral hearing fee), only a single fee need be paid. For example, only one fee need be paid for an appeal brief even though the brief relates to merged multiple proceedings and a copy must be filed for each file in the merged proceeding.

PETITIONS TO MERGE MULTIPLE COPENDING REEXAMINATION PROCEEDINGS

No petition to merge multiple reexamination proceedings is necessary since the Office will generally, *sua sponte*, make a decision as to whether or not it is appropriate to merge the multiple reexamination proceedings. If any petition to merge the proceedings is filed prior to the determination (*37 CFR 1.515) and order to reexamine (*37 CFR 1.525) on the second request, it will not be considered, but will be returned to the party submitting the same by the examining group director. The decision returning such a premature petition will be made of record in both reexamination files, but no copy of the petition will be retained by the Office. See *MPEP 2267.

While the patent owner can file a petition to merge the proceedings at any time after the order to reexamine (*37 CFR 1.525) on the second request, the better practice would be to include any such petition with the patent owner's statement under *37 CFR 1.530, in the event the examining group director has not acted prior to that date to merge the multiple reexamination proceedings. If the requester of any of the multiple reexamination proceedings is not the patent owner that party may petition to merge the proceedings as a part of a reply pursuant to *37 CFR 1.535, in the event the examining group director has not acted prior to that date to merge the multiple proceedings. A petition to merge the multiple proceedings which is filed by a party other than the patent owner or one of the requesters of the reexamination, will not be considered, but will be returned to that party by the examining group director as being improper under *37 CFR 1.550(e).

All decisions on the merits of petitions to merge multiple reexamination proceedings will be made by the examining group director.

2284 Copending Reexamination and Interference Proceedings [R.4]

37 CFR 1.565 Concurrent office proceedings.

(b) If a patent in the process of reexamination is or becomes involved in interference proceedings or litigation, or a reissue application for the patent is filed or pending, the Commissioner shall determine whether or not to stay the reexamination, reissue or interference proceeding.

*** (e) If a patent in the process of reexamination is or becomes involved in an interference, the Commissioner may stay reexamination or the interference. The Commissioner will not consider a request to stay an interference unless a motion (§ 1.635) to stay the interference has been presented to, and denied by, an examiner-in-chief and the request is filed within ten (10) days of a decision by an examiner-in-chief denying the motion for a stay or such other time as the examiner-in-chief may set.

The general policy of the Office is that a reexamination proceeding will not be delayed, or stayed, because of an interference or the possibility of an interference. The reasons for this policy are (1) the relatively long period of time usually required for interferences and (2) the requirement of 35 U.S.C. 305 that all reexamination proceedings be conducted with "special dispatch" within the Office. In general, the Office will follow the practice of making the required and necessary decisions in the reexamination proceeding and, at the same time, proceed with the interference to the extent desirable. Decisions in the interference will take into consideration the status of the reexamination and what is occurring therein. The decision as to what actions are taken in the interference will, in general, be taken in accordance with normal interference practice.

♦ ATTEMPTING TO PROVOKE AN INTERFERENCE WITH *** A PATENT INVOLVED IN A REEXAMINATION PROCEEDING

An interference will not be declared between an application and a patent which is involved in a reexamination proceeding except upon specific authorization from the Office of the Assistant Commissioner for Patents. When an amendment *** seeking to provoke an interference with a patent involved in a reexamination proceeding is filed in a pending application, the owner of the patent must be notified (see 37 CFR *** 1.607(d)). The applicant must identify the patent under reexamination *** with which interference is sought. The *** corresponding application claims may be rejected on any applicable ground *** including, if appropriate, the prior art cited in the reexamination proceeding. Prosecution of the application should continue as far as possible, but if the application is placed in condition for allowance and still contains claims which interfere with claims of the patent under reexamination, further action on the application should be suspended until the certificate on the reexamination proceeding has been issued.

MOTION TO SUSPEND INTERFERENCE UNDER 37 CFR 1.635 PENDING THE OUTCOME OF A REEXAMINATION PROCEEDING

A motion under *** 37 CFR 1.635 to suspend an interference pending the outcome of a reexamination proceeding may be made at any time during the interference by any party thereto. The motion * * * must be presented to the examiner-in-chief who will decide the motion based on the particular fact situation. However, no consideration will be given such a motion unless and until a reexamination order is issued, nor will suspension of the interference normally be permitted until after any * motions * * * have been disposed of. If the motion is denied by the examiner-in-chief a request to stay the interference may be made to the Commissioner under 37 CFR 1.565(e).

REQUEST BY THE EXAMINER ♦ FOR ACTION ♦ PURSUANT TO 37 CFR 1.641 ♦

Normally, examiners should not *** have to alert the examiner-in-chief for action under 37 CFR 1.641 while the reexamination proceeding is pending but should rely upon the parties of the interference to file *** a notice under 37 CFR 1.660.

REQUEST FOR REEXAMINATION FILED *** DURING ♦ INTERFERENCE

In view of the provisions of *** 37 CFR 1.510(a), "Any person may, at any time during the period of enforceability of a patent" file a request for reexamination. *** The patent owner must notify the Board under 37 CFR 1.660 within 10 days of receiving notice that the request was filed. Such requests for reexamination will be processed in the normal manner. No delay, or stay, of the reexamination will occur because the requester is not a party to the interference. If the examiner orders reexamination pursuant to *** 37 CFR 1.525 and subsequently rejects a patent claim corresponding to a count in the interference, the attention of the *** examiner-in-chief shall be called thereto *** and appropriate action may be taken under § 1.641.

PETITION TO STAY REEXAMINATION PROCEEDING BECAUSE OF INTERFERENCE

Any petition to stay a reexamination proceeding, because of an interference, which is filed prior to the determination (37 CFR 1.515) and order to reexamine (37 CFR 1.525) will not be considered, but will be returned to the party submitting the same. The decision returning such a premature petition will be made of record in the reexamination file, but no copy of the petition will be retained by the Office. A petition to stay the reexamination proceeding because of the interference may be filed by the patent owner as a part of the patent owner's statement under *** 37 CFR 1.530 or subsequent thereto. If a party to the interference, other than the patent owner, is a requester of the reexamination, that party may petition to

stay the reexamination proceeding as a part of a reply pursuant to *37 CFR 1.535. If the other party to the interference is not the requester any petition by that party is improper under *37 CFR 1.550(e) and will not be considered. Any such improper petitions will be returned to the party submitting the same.

Premature petitions to stay the reexamination proceedings, i.e. those filed prior to the determination (*37 CFR 1.515) and order to reexamine (*37 CFR 1.525), will be returned by the examining group director as premature. Petitions to stay filed subsequent to the date of the order for reexamination will be referred to the Office of the Assistant Commissioner for Patents for decision. All decisions on the merits of petitions to stay a reexamination proceeding because of an interference will be made in the Office of the Assistant Commissioner for Patents.

ACTION IN INTERFERENCE FOLLOWING REEXAMINATION

If one or more claims of a patent which is involved in an interference are cancelled or amended by the issuance of a reexamination certificate, ***appropriate action will be taken by the examiner-in-chief under 37 CFR 1.641.

Upon issuance of the reexamination certificate, the patent owner must notify the ***examiner-in-chief thereof.

2285 Copending Reexamination and Reissue Proceedings [R-4]

37 CFR 1.565 Concurrent office proceedings.

(d) If a reissue application and a reexamination proceeding on which an order pursuant to § 1.525 has been mailed are pending concurrently on a patent, a decision will normally be made to merge the two proceedings or to stay one of the two proceedings. Where merger of a reissue application and a reexamination proceeding is ordered, the merged examination will be conducted in accordance with §§ 1.171-1.179 and the patent owner will be required to place and maintain the same claims in the reissue application and the reexamination proceeding during the pendency of the merged proceeding. The examiner's actions and any responses by the patent owner in a merged proceeding will apply to both the reissue application and the reexamination proceeding and be physically entered into both files. Any reexamination proceeding merged with a reissue application shall be terminated by the grant of the reissued patent.

The general policy of the Office is that a reissue application examination and a reexamination proceeding will not be conducted separately at the same time as to a particular patent. The reason for this policy is to permit timely resolution of both proceedings to the extent possible and to prevent inconsistent, and possibly conflicting, amendments from being introduced into the two proceedings on behalf of the patent owner. Accordingly, if both a reissue application and a reexamination proceeding are pending concurrently on a patent, a decision will normally be made to merge the two proceedings or to stay one of the two proceedings. The decision as to whether the proceedings are to be merged, or which proceeding, if any, is

to be stayed is made in the Office of the Assistant Commissioner for Patents. See *In re Onda*, 229 USPQ 235 (Comr. Pats. 1985).

TIME FOR MAKING DECISION ON MERGING OR STAYING THE PROCEEDINGS

A decision whether or not to merge the reissue application examination and the reexamination proceeding, or to stay one of the two proceedings, will not be made prior to the mailing of an order to reexamine the patent pursuant to 37 CFR 1.525. Until such time as reexamination is ordered, the examination of the reissue application will proceed. A determination on the request must not be delayed because of the existence of a copending reissue application since 35 U.S.C. 304 and *37 CFR 1.515 require a determination within three months following the filing date of the request. See *MPEP 2241. If the decision on the request denies reexamination (*MPEP 2247), the examination or the reissue applications should be continued. If reexamination is ordered (*MPEP 2246), the reexamination file, the reissue application, and the patent file should be delivered to the Office of the Assistant Commissioner for Patents promptly following the mailing of the decision ordering reexamination. The delivery of the files to the Office of the Assistant Commissioner should not be delayed awaiting the filing of any statement under *37 CFR 1.530 and any reply under *37 CFR 1.535.

If a reissue application is filed during the pendency of a reexamination proceeding, the reexamination file, the reissue application, and the patent file should be delivered to the Office of the Assistant Commissioner for Patents as promptly as possible after the reissue application reaches the examining group.

The decision on whether or not the proceedings are to be merged, or which proceeding, if any, is to be stayed will generally be made as promptly as possible after receipt of all of the files in the Office of the Assistant Commissioner for Patents. However, the decision on merging or staying the proceedings may in certain situations be delayed until any submissions under *37 CFR 1.530 and *37 CFR 1.535 have been filed. Until a decision is mailed merging the proceedings or staying one of the proceedings, the two proceedings will continue and be conducted simultaneously, but separately.

The Office may in certain situations issue a certificate at the termination of a reexamination proceeding, even if a copending reissue application or another reexamination request has already been filed.

CONSIDERATIONS IN DECIDING WHETHER TO MERGE THE PROCEEDINGS OR WHETHER TO STAY A PROCEEDING

The decision on whether to merge the proceedings or stay a proceeding will be made on a case-by-case basis based upon the status of the various proceedings with due consideration being given to the finality of the reexamination requested.

1. Reissue about ~~to~~ issue, reexamination requested.

If the reissue patent will issue before the determination on the reexamination request must be made, the determination on the request should normally be delayed until after the granting of the reissue patent and then be decided on the basis of the claims in the reissue patent. The reexamination, if ordered, would then be on the reissue patent claims rather than the original patent claims. Since the reissue application would no longer be pending, the reexamination would be processed in a normal manner.

Where a reissue patent has been issued, the determination on the request for reexamination should point out to the requester and patent owner that the determination has been made on the claims of the reissue patent and not on the claims of the original patent. If a reissue patent issues on the patent under reexamination after reexamination is ordered the next action from the examiner in the reexamination should point out that further proceedings in the reexamination will be based on the claims of the reissue patent and not on the patent surrendered.

Wording similar to the following may be used in the examiner's Office action.

"In view of the surrender of original patent _____ and the granting of reissue patent number _____ which has been issued on _____, 19____, all subsequent proceedings in this reexamination will be based on the reissue patent claims."

Where the reissue patent has issued prior to the filing of a request for reexamination of the parent patent, see MPEP 2258.

2. Reissue pending, reexamination request filed.

Where a reissue patent will not be granted prior to the expiration of the three month period for making the determination, a decision will be made as to whether the proceedings are to be merged or which proceeding, if any, is to be stayed after an order to reexamine has been issued. The general policy of the Office is to merge the more narrow reexamination proceeding with the broader reissue application examination whenever it is desirable to do so in the interests of expediting the conduct of both proceedings. In making a decision on whether or not to merge the two proceedings consideration will be given to the status of the reissue application examination at the time the order to reexamine the patent pursuant to 37 CFR 1.525 is mailed. For example, if examination of the reissue application has not begun, or if a rejection of the primary examiner has not been appealed to the Board of Patent Appeals and Interferences pursuant to 37 CFR 1.191, it is likely that a merger of the reissue application examination and the reexamination proceeding will be ordered by the Office of the Assistant Commissioner for Patents. If, however, the reissue application is on appeal to the Board of Patent Appeals and Interferences or the courts that fact would be considered in making a decision whether to merge the proceedings or stay one of the proceedings.

See *In re Stoddard*, 213 USPQ 386 (Comr. Pats. 1982); and *In re Scragg*, 215 USPQ 715 (Comr. Pats. 1982).

If such a merger of the proceedings is ordered, the order merging the proceedings will also require that the patent owner place the same claims in the reissue application and in the reexamination proceeding for purposes of the merged proceedings. An amendment may be required to be filed to do this within a specified time set in the order merging the proceedings.

If the reissue application examination has progressed to a point where a merger of the two proceedings is not desirable at that time, then the reexamination proceeding will generally be stayed until the reissue application examination is complete on the issues then pending. After completion of the examination on the issues then pending in the reissue application examination, the stay of the reexamination proceeding will be removed and the proceedings either merged or the reexamination proceeding will be conducted separately if the reissue application has become abandoned. The reissue application examination will be reopened, if necessary, for merger of the reexamination proceeding therewith.

If a stay of a reexamination proceeding has been removed following a reissue application examination, the first Office action will be given a shortened statutory period for response of one month unless a longer period for response clearly warranted by the nature of the examiner's action. The second Office action will normally be final and also have a one month period for response. These shortened periods are considered necessary to prevent undue delay in terminating the proceedings and also to proceed with "special dispatch" in view of the earlier stay.

If the reissue application examination and the reexamination proceeding are merged, the issuance of the reissue patent will also serve as the certificate under 37 CFR 1.570 and the reissue patent will so indicate.

3. Reexamination proceedings underway, reissue application filed.

When a reissue application is filed after a reexamination proceeding has begun following an order therefor, the reexamination, patent, and the reissue files should be forwarded to the Office of the Assistant Commissioner for Patents for consideration as to whether or not to merge the proceedings or stay one proceeding.

Where reexamination has already been ordered prior to the filing of a reissue application, the following factors may be considered in deciding whether to merge the proceedings or stay one proceeding:

a. The status of the reexamination proceeding: For example, has a statement and reply been received, a first Office action been mailed, a final rejection been given, or printing of certificate begun?

b. The nature and scope of the reissue application: For example, are the issues presented in the proceeding the same, overlapping, or completely separate; and are the reissue claims broadening or related to

issues other than rejections based on patents or printed publications?

CONDUCT OF MERGED REISSUE APPLICATION EXAMINATION AND REEXAMINATION PROCEEDINGS

If a reissue application examination and a reexamination proceeding are merged, the merged examination will be conducted on the basis of the rules relating to the broader reissue application examination. Amendments should be submitted in accordance with the reissue practice under *37 CFR 1.121(e), see *MPEP 1455. The examiner, in examining the merged proceeding, will apply the reissue statute, rules, and case law to the merged proceeding. This is appropriate in view of the fact that the statutory provisions for reissue applications and reissue application examination include, *inter alia*, provisions equivalent to 35 U.S.C. 305 relating to the conduct of reexamination proceedings.

In any merged reissue application and reexamination proceeding the examiner's actions will take the form of a single action which jointly applies to both the reissue application and the reexamination proceeding. The action will contain identifying data for both the reissue application and the reexamination proceeding and will be physically entered into both files, which will be maintained as separate files. Any responses by the applicant/patent owner in such a merged proceeding must consist of a single response, filed in duplicate, for entry in both files and service of copy must be made on the reexamination requester. A copy of all Office actions will be mailed to the reexamination requester but not to any other third party.

If the applicant/patent owner in such a merged proceeding fails to file a timely and appropriate response to any Office action, the merged proceeding will be terminated, the reissue application held abandoned, and the Commissioner will proceed to issue a reexamination certificate under *37 CFR 1.570 in accordance with the last action of the Office unless further action is clearly needed in view of the difference in rules relating to reexamination and reissue proceedings.

If the applicant/patent owner in such a merged proceeding files an express abandonment of the reissue application pursuant to 37 CFR 1.138, the next Office action of the examiner will accept the express abandonment, dissolve the merged proceeding, and continue the reexamination proceeding. Any grounds of rejection which are not applicable under reexamination should be withdrawn (e.g., based on public use or sale) and any new grounds of rejection which are applicable under reexamination (e.g., improper broadened claims) should be made by the examiner upon dissolution of the merged proceeding. The existence of any questions remaining which cannot be considered under reexamination following dissolution of the merged proceeding would be noted by the examiner as not being proper under reexamination pursuant to 37 CFR 1.552(c).

PETITION TO MERGE REISSUE APPLICATION EXAMINATION AND REEXAMINATION PROCEEDINGS OR TO STAY EITHER PROCEEDING BECAUSE OF THE EXISTENCE OF THE OTHER

No petition to merge the proceedings, or stay one of them, is necessary since the Office will generally, *sua sponte*, make a decision to merge the proceedings or stay one of them. If any petition to merge the proceedings, or to stay one proceeding because of the other, is filed prior to the determination (*37 CFR 1.515) and order to reexamine (*37 CFR 1.525) it will not be considered, but will be returned to the party submitting the same by the examining group director, regardless of whether the petition is filed in the reexamination proceeding, the reissue application, or both. This is necessary to prevent premature papers relating to the reexamination proceeding from being filed. The decision returning such a premature petition will be made of record in both the reexamination file and the reissue application file, but no copy of the petition will be retained by the Office. See *MPEP 2267.

The patent owner may file a petition under 37 CFR 1.182 to merge the proceedings, or stay one proceeding because of the other, at the time the patent owner's statement under *37 CFR 1.530 is filed or subsequent thereto in the event the Office has not acted prior to that date to merge the proceedings or stay one of them. If the requester of the reexamination is not the patent owner, that party may petition to merge the proceedings, or stay one proceeding because of the other, as a part of a reply pursuant to *37 CFR 1.535, in the event the Office has not acted prior to that date to merge the proceedings or stay one of them. A petition to merge the proceedings, or stay one of them because of the other, which is filed by a party other than the patent owner or the requester of the reexamination will not be considered, but will be returned to that party by the examining group director as being improper under *37 CFR 1.550(e).

All decisions on the merits or petitions to merge the reissue application examination and the reexamination proceeding, or to stay one proceeding because of the other, will be made in the Office of the Assistant Commissioner for Patents. Such petitions to merge the proceedings, or stay one of the proceedings because of the other, which are filed by the patent owner or the requester subsequent to the date of the order for reexamination will be referred to the Office of the Assistant of Commissioner for Patents for decision.

FEES IN MERGED PROCEEDINGS

Where the proceedings have been merged and a paper is filed which requires payment of a fee (e.g., petition fee, appeal fee, brief fee, oral hearing fee), only a single fee need be paid. For example, only one fee need be paid for an appeal brief even though the brief relates to merged multiple proceedings and a copy must be filed for each file in the merged proceeding.

2286 Reexamination and Litigation Proceedings [R-4]

The federal courts and the Patent and Trademark Office are jointly responsible for the overall administration of the patent system. In view of that joint responsibility, and since maximum benefit to the patent system occurs when the Office and the federal courts act in harmony, it is the policy of the Office that it will not "relitigate" in a reexamination proceeding an issue of patentability which has been resolved by a federal court on the merits after a thorough consideration of the prior art called to its attention in an adversary context. See *In re Pearne et al.* 212 USPQ 466 (Comr. Pat. 1981).

While it is the policy of the Office to act in harmony with the federal courts, 35 U.S.C. 302 permits a request for reexamination to be filed "at any time". Thus, requests for reexamination are frequently filed where the patent for which reexamination is requested is involved in concurrent litigation. The guidelines set forth below will generally govern Office handling of reexamination requests where there is concurrent litigation in the federal courts.

COURT ORDERED REEXAMINATION PROCEEDING OR LITIGATION STAYED FOR REEXAMINATION

Any request for reexamination which indicates that it is filed as a result of an order by a court or that litigation is stayed for the filing of a reexamination request will be taken up by the examiner for decision six weeks after the request was filed. See *MPEP* 2241. If reexamination is ordered, the examination following the statement by the patent owner under *37 CFR* 1.530 and the reply by the requester under *37 CFR* 1.535 will be expedited to the extent possible. Office actions in these reexamination proceedings will normally set a one month shortened statutory period for response rather than the two months usually set in reexamination proceedings. See *MPEP* 2263. This one month period may be extended only upon a showing of sufficient cause. See *MPEP* 2265. See generally *Raytek, Inc. v. Solfan Systems Inc.*, 211 USPQ 405 (N. D. Cal., 1981); *Dresser Industries, Inc. v. Ford Motor Co., et al.*, 211 USPQ 1114 (N. D., Texas, 1981); *Digital Magnetic Systems, Inc. v. Ansley*, 213 USPQ 290 (W. D. Okla., 1982); **Gould v. Control Laser Corp.*, 217 USPQ 985 (*Fed. Cir.* 1983); **The Toro Co. v. R.L. Nelson Corp.*, 223 USPQ 636 (C.D. Ill. 1984); *In re Vamco Machine and Tool, Inc.*, 224 USPQ 617 (Fed. Cir. 1985); and *Loffland Bros. Co. v. Mid-Western Energy Corp.*, 225 USPQ 886 (W.D. Okla. 1985).

FEDERAL COURT DECISION KNOWN TO EXAMINER AT THE TIME THE DETERMINATION ON THE REQUEST FOR REEXAMINATION IS MADE

If a federal court decision *on the merits* of a patent is known to the examiner at the time the determination on the request for reexamination is made, the following guidelines will be followed by the examiner, whether or not the person who filed the request was a party to the litigation:

(1) No substantial new question of patentability will be found based on (a) the same prior art which was before the federal court; (b) prior art which is merely cumulative to that which was before the court; and (c) issues which were actually resolved on the merits by the court.

(2) In making the determination the examiner will compare the prior art and issues raised in the request with the prior art before the federal court and the issues resolved *on the merits* by the court, without regard to either the finality of the court decision or whether the claims were held valid or invalid.

(3) Where the claims were all held *invalid* by a federal court decision *for any reason* no substantial new question of patentability will be found.

(4) Where claims have been held valid by the federal court, reexamination will be ordered by the examiner if (a) additional prior art is relied on which is not merely cumulative to that before the court; (b) the additional prior art raises issues which were not resolved on the merits by the court; and (c) the additional prior art is material to the examination of at least one claim.

(5) Where the patent contains claims in addition to those upon which the federal court ruled, reexamination will be ordered if (a) a substantial new question of patentability as to those additional claims is present and (b) the same question was not resolved by the court in its decision.

(6) In making the determination on a request, a consent judgment that claims are valid will be treated as a decision on the merits insofar as the parties to the litigation (or their proxy) are concerned. A consent judgment of validity or invalidity has no effect as to requests filed by a person not a party to the litigation.

(7) All determinations on requests for reexamination which the examiner makes after a federal court decision must be approved by the examining group director.

For a discussion of the policy in specific situations where a federal court decision has been issued see *MPEP* 2242.

REEXAMINATION WITH CONCURRENT LITIGATION BUT ORDERED PRIOR TO FEDERAL COURT DECISION

In view of the statutory mandate to make the determination on the request within three months, the Office realistically has no choice but to make the determination on the request based on the record before the examiner without awaiting a decision by the Federal court. It is not realistic to attempt to determine what issues will be treated by the Federal court prior to the court decision. Accordingly, the determination on the request will be made without considering the issues allegedly before the court. If reexamination is ordered the reexamination will continue until the Office becomes aware that a trial on the merits has begun at which time the reexamination proceeding normally will be stayed, *sua sponte* by the examining group director unless a proper petition to stay has

been filed which is not rendered moot by the *sua sponte* stay. Such petition will be referred to the Office of the Assistant Commissioner for Patents. See generally *Patlex Corporation v. Massinghoff*, 252 USPQ 243, 252 (Fed. Cir. 1985). The patent owner is required by 37 CFR 1.565(a) to call the attention of the Office to any prior or concurrent proceeding in which the patent is or was involved and thus has an obligation to promptly notify the Office that a trial on the merits has begun in the Federal court.

FEDERAL COURT DECISION ISSUES AFTER REEXAMINATION ORDERED

Pursuant to 37 CFR 1.565(a), the patent owner in a reexamination proceeding must promptly notify the Office of any Federal court decision involving the patent. Where the reexamination proceeding is currently stayed and the court decision issues, or the Office becomes aware of a court decision relating to a pending reexamination proceeding, the order to reexamine is reviewed to see if a substantial new question of patentability is still present. If no substantial new question of patentability is present the order to reexamine is vacated by the examining group director and reexamination is terminated. See *In re Hunter*, 213 USPQ 211 (Comr. Pats. 1982); and *In re Wichterle et al*, 213 USPQ 868 (Comr. Pats. 1982).

In making the review after the court decision the examiner will follow the same guidelines set forth above when making a determination after a court decision. If the review reveals that only different non-overlapping issues are present, the reexamination proceeding will continue on the different nonoverlapping issues and any previously ordered stay will be lifted after the lower court's decision. If the review reveals that any of the different issues are, or may be, overlapping with the issues decided by the court, the reexamination proceeding will be stayed, *sua sponte*, by the examining group director and any previously ordered stay will be continued until the court decision becomes final.

Once the court decision is issued it is controlling. In circumstances where vacating the order is not appropriate, claims not under consideration because of the court decision will be indicated as having been withdrawn from consideration because of the court decision. Since claims held invalid will be withdrawn from consideration and not reexamined during a reexamination proceeding no rejection on the ground of collateral estoppel will be appropriate in reexamination.

A consent judgment is treated as a "decision on the merits" as to the parties of the litigation, and is controlling as to all of the claims covered in the consent judgment with regard to any prior art (before the court or otherwise). If a consent judgment between the patent owner and the reexamination requester issues, the reexamination proceeding should be reviewed to determine whether a substantial new question of patentability remains. If the consent judgment covers all of the claims in the reexamination, notwithstanding the prior art, the order to reexamine should

be vacated by the group director and the reexamination terminated (with refund provided in 37 CFR 1.26(c)). In this regard see *In re Johnson*, 230 USPQ 240 (Comm. Pats. 1986). If the consent judgment does not cover all of the claims in the reexamination, the reexamination should continue only as to those claims not covered by the consent judgment. The claims covered by the consent judgment should be noted as not being addressed in the reexamination in view of the consent judgment.

A consent judgment has no effect on a reexamination filed by a person who is not a party to the consent judgment. Since a consent judgment is only binding as to the parties involved, it is not a final resolution of the matter as to other members of the public or the Office. See *Houston Atlas v. Del Mar Scientific*, 217 USPQ 1032, 1037 (N.D. Tex. 1982).

A stipulated dismissal is not considered to be a "decision on the merits".

PETITION TO STAY REEXAMINATION PROCEEDING BECAUSE OF LITIGATION

Any petition to stay a reexamination proceeding, because of litigation, which is filed prior to the determination (37 CFR 1.515) and order to reexamine (37 CFR 1.525) will not be considered, but will be returned to the party submitting the same by the examining group director. The decision returning such a premature petition will be made of record in the reexamination file, but no copy of the petition will be retained by the Office. See MPEP 2267.

A petition under 37 CFR 1.182 to stay the reexamination proceeding because of litigation may be filed by the patent owner as a part of the patent owner's statement under 37 CFR 1.530 or subsequent thereto. If a party to the litigation, other than the patent owner, is a requester of the reexamination, that party may petition under 37 CFR 1.182 to stay the reexamination proceeding only if a reply pursuant to 37 CFR 1.535 is proper. Otherwise the requester may only notify the Office of the litigation pursuant to 37 CFR 1.565(a) and MPEP 2282. If the other party to litigation is not the requester, any petition by that party is improper under 37 CFR 1.550(e) and will not be considered. Any such improper petitions will be returned to the party submitting the same by the examining group director. Petitions to stay, filed subsequent to the date of the order for reexamination, will be referred to the Office of the Assistant Commissioner for Patents for decision. All decisions on the merits of petitions to stay reexamination proceedings because of litigation will be made in the Office of the Assistant Commissioner for Patents on a case-by-case basis. If a timely petition to stay is filed, the examiner should forward the reexamination and patent files to the Office of the Assistant Commissioner for Patents for consideration.

LITIGATION REVIEW AND GROUP DIRECTOR

APPROVAL

In order to ensure that the Office is aware of prior or concurrent litigation the examiner is responsible for conducting a reasonable investigation for evidence as to whether the patent for which reexamination is requested has been or is involved in litigation. The investigation will include a review of the reexamination file, the patent file, and the litigation records maintained in the law library including the litigation card files and Shepard's U.S. Citations.

If the examiner discovers, at any time during the reexamination proceeding, that there is litigation or that there has been a federal court decision on the patent, the fact will be brought to the attention of the group director prior to any further action by the examiner. The group director must approve any action taken by the examiner in such circumstances.

FEDERAL COURT DECISION CONTROLLING IN REEXAMINATION PROCEEDING

Once a federal court has ruled upon the merits of a patent and reexamination is still appropriate under the guidelines set forth above, the federal court decision will be considered controlling and will be followed as to issues resolved on the merits by the court. The reexamination proceeding will be stayed where appropriate until the court decision becomes final. A consent judgment is not controlling as to requests filed by a person not a party to the litigation. See *Houston Atlas, Inc. et al v. Del Mar Scientific, Inc. et al*, 217 USPQ 1032, 1037 (N.D. Tex. 1982).

2287 Conclusion of Reexamination Proceedings [R-4]

Upon conclusion of the reexamination proceedings, the examiner must complete a "Notice of Intent to Issue a Reexamination Certificate and/or Examiner's Amendment" (NIRC) and prepare the reexamination file so that the Office of Publications can prepare and issue a certificate in accordance with 37 CFR 1.570 and 35 U.S.C. 307 setting forth the results of the reexamination proceeding and the content of the patent following the proceeding. See *MPEP* 2288.

The rules do not provide for an amendment to be filed in a reexamination proceeding after prosecution has been closed. 37 CFR 1.312 does not apply in reexamination. Any amendment filed after prosecution has been closed must be accompanied by a petition under 37 CFR 1.182 to have the amendment considered.

Normally the title will not need to be changed during reexamination. If a change of the title is necessary, it should be done as early as possible in the prosecution as a part of an Office Action. If all of the claims are allowed and a Notice of Intent to Issue A Reexamination Certificate has been or is to be mailed, a change to the title of the invention by the examiner may only be done by way of an Examiner's Amendment. Changing the title and merely initialing the change is not permitted in reexamination.

If all of the claims are disclaimed in a patent under reexamination, a certificate under 37 CFR 1.570 will be issued indicating that fact.

In preparing the reexamination file for publication of the certificate, the examiner must review the reexamination and patent files to be sure that all the appropriate parts are completed. The review should include completion of the following items:

- a. the "Reexamination Field of Search" and the "Search Notes"—to be sure the file wrapper is filled in with the classes and subclasses that were actually searched and other areas consulted.
- b. the "Claim No. For O.G." box—to be sure that a representative claim which has been reexamined is indicated for publication in the *Official Gazette*.
- c. the "Drawing Fig. For Certificate and For O.G." box—to be sure that an appropriate drawing figure is indicated for printing on the certificate cover sheet and in the *Official Gazette*.
- d. the "Litigation Review" box—to be sure that the Office is aware of prior or concurrent litigation.
- e. the face of the file—to be sure that the necessary data is included thereon.
- f. the "Index of Claims" box—to be sure the status of each claim is indicated and the final claim numbers are indicated.

The examiner must in all cases fill out a blue issue slip form PTO-270 or design issue slip form PTO-328 and include the current international classification (except design patents) and U.S. classification for both the original classification and all cross references.

If any new cross-references are added, the examiner must order a copy of the patent ***by using form PTO-14B and place the copy in the search file so that the certificate may be attached thereto when it issues.

If the patent owner desires the names of the attorneys or agents to be printed on the certificate, a separate paper limited to this issue which lists the names and positively states that they should be printed on the certificate must be filed. A mere power of attorney or change of address is not a request that the name appear on the certificate.

If a proper paper has been submitted by the patent owner indicating the names of the attorneys or agents to be published on the certificate, that paper should be physically placed on top of the other papers in the center of the reexamination file at the conclusion of the proceedings.

The examiner must also complete a checklist form PTO-1516 for the reexamination file which will be forwarded to the Office of Publications identifying:

- a. Any amendments to the abstract and description
- b. Any amendments to the drawings
- c. Any terminal disclaimer or dedication filed during reexamination.
- d. Any certificate(s) of correction to the patent.
- e. The patentability of claim(s) _____ (and) _____ is confirmed.

f. Claim(s) _____ (and) _____ was (were) previously cancelled. (Relates to a prior proceeding.)

g. Claim(s) _____ (and) _____ was (were) previously disclaimed.

h. Claim(s) _____ (and) _____ is (are) now disclaimed.

i. Claim(s) _____ (and) _____, * * * is (are) cancelled.

j. Claim(s) _____ (and) _____ is (are) determined to be patentable as amended. (Note: these claim(s) to be printed on certificate.)

k. Claim(s) _____ (and) _____, dependent on an amended claim, is (are) determined to be patentable. (Note: to be used for claims which are not amended. Amended claims *must* be listed in j above.)

l. New claim(s) _____ (and) _____ is (are) added and determined to be patentable. (Note: these claim(s) to be printed on certificate.)

m. Claim(s) _____ (and) _____ was (were) not reexamined.

n. Other (identify claims and status)

o. Any decision of the Patent and Trademark Office, Federal court or other forum which may affect the validity of the patent, but which have not been considered during reexamination.

After the examiner has completed the review and the reexamination and patent files have been turned in, the reexamination clerk will complete the Reexamination Clerk Checklist Form PTO-1517. The reexamination clerk will revise and update the files and forward the reexamination file, the patent file, clean copy of the patent, the Examiner Checklist-Reexamination PTO-1516, and the Reexamination Clerk Checklist PTO-1517 to the Office of Publications for printing via the appropriate Office.

The clerk should check to see if any changes in especially:

- a. the title,
- b. the inventor,
- c. the assignee,
- d. the continuing data,
- e. the foreign priority,
- f. the address of the owner's attorney, or
- g. the requester's address

have been properly entered on the face of the reexamination and patent files and in the PALM data base.

2288 Issuance of Reexamination Certificate [R-4]

35 U.S.C. 307. *Certificate of patentability, unpatentability, and claim cancellation* (a) In a reexamination proceeding under this chapter, when the time for appeal has expired or any appeal proceeding has terminated, the Commissioner will issue and publish a certificate canceling any claim of the patent finally determined to be unpatentable, confirming any claim of the patent determined to be patentable, and incorporating in the patent any proposed amended or new claim determined to be patentable.

37 CFR 1.570. *Issuance of reexamination certificate after reexamination proceedings.* (a) Upon the conclusion of reexamination pro-

ceedings, the Commissioner will issue a certificate in accordance with 35 U.S.C. 307 setting forth the results of the reexamination proceeding and the content of the patent following the reexamination proceeding.

(b) A certificate will be issued in each patent in which a reexamination proceeding has been ordered under § 1.525. Any statutory disclaimer filed by the patent owner will be made part of the certificate.

(c) The certificate will be mailed on the day of its date to the patent owner at the address as provided for in § 1.33(c). A copy of the certificate will also be mailed to the requester of the reexamination proceeding.

(d) If a certificate has been issued which cancels all of the claims of the patent, no further Office proceedings will be conducted with regard to that patent or any reissue applications or reexamination requests relating thereto.

(e) If the reexamination proceeding is terminated by the grant of a reissued patent as provided in § 1.565(d), the reissued patent will constitute the reexamination certificate required by this section and 35 U.S.C. 307.

(f) A notice of the issuance of each certificate under this section will be published in the *Official Gazette* on its date of issuance.

Since abandonment is not possible in a reexamination proceeding, a certificate will be issued at the conclusion of the proceeding in each patent in which a reexamination proceeding has been ordered under § 37 CFR 1.525 except where the reexamination has been terminated by the grant of a reissue patent on the same patent.

Where the reexamination is terminated for a failure to timely respond to an Office Action, see MPEP 2266.

The certificate will set forth the results of the proceeding and the content of the patent following the reexamination proceeding.

The certificate will:

- a. cancel any claims determined to be unpatentable;
- b. confirm any patent claims determined to be patentable;
- c. incorporate into the patent any amended or new claims determined to be patentable;
- d. make any changes in the description approved during reexamination;
- e. include any statutory disclaimer filed by the patent owner;
- f. refer to unamended claims held invalid on final holding by another forum on grounds not based on patents or printed publications;
- g. refer to any patent claims not reexamined;
- h. be mailed on the day of its date to the patent owner at address provided for in § 1.33(c) and a copy to the requester; and
- I. refer to patent claims, dependent on amended claims, determined to be patentable.

If a certificate issues which cancels all of the claims of the patent, no further Office proceedings will be conducted with regard to that patent or any reissue application or reexamination request directed thereto.

If a reexamination proceeding is terminated by the grant of a reissued patent as provided for in § 1.565(b), the reissued patent will constitute the reexamination certificate required by 35 U.S.C. 307 and this section.

A notice of the issuance of each reexamination certificate will be published in the Official Gazette on its date of issuance in a format similar to that used for reissue patents. See *MPEP* 2291.

2289 Reexamination Review

All reexamination cases are screened for obvious errors and proper preparation in order to issue a certificate. A patentability review will be made in a sample of reexamination cases by the Quality Review Examiners. This review is an appropriate vehicle to provide information on the uniformity of practice and to help identify problem areas.

2290 Format of Certificate [R-4]

The reexamination certificate is formatted much the same as the title page of current U.S. patents. The certificate is titled "Reexamination Certificate" and includes the patent number of the original patent preceded by the letter "B" and the number of the reexamination proceeding of that patent. For example, "1" for first reexamination certificate and "2" for the second reexamination certificate. The letter designation distinguishes the certificate as being a reexamination certificate. Thus, a second reexamination certificate for the same patent would be designated as "B2" followed by the patent number.

The certificate denotes the date the certificate was issued at INID code [45] (see *MPEP* 901.04). The title, name of inventor, international and U.S. classification, the abstract, and the list of prior art documents appear at their respective INID code designations much the same as is presently done in utility patents.

The primary differences, other than as indicated above are:

1. the filing date and number of the request is preceded by "Reexamination Request";
2. the patent for which the certification is now issued is identified under the heading "Reexamination Certificate for"; and
3. the prior art documents cited at INID code [56] will be only those which are part of the reexamination file and cited on forms PTO-1449 (and have not been crossed out because they were not considered) and PTO-892.

Finally, the certificate will specify the claims confirmed as patentable and those cancelled. Any new claims will be printed and any amended claims will be printed indicating the amendments thereto. Any prior court decisions will be identified as well as the citation of the court decisions.

2291 Notice of Certificate Issuance in Official Gazette

The *Official Gazette* notice will include bibliographic information, and an indication of the status of each claim following reexamination.

Additionally, a representative claim will be published along with an indication of any changes to the specification or drawing.

2292 Distribution of Certificate

A copy of the reexamination certificate should be stapled to each copy of the patent in the search files. A copy of the certificate will also be made a part of any patent copies prepared by the Office subsequent to the issuance of the certificate.

A copy of the certificate will also be forwarded to all depository libraries and to those foreign offices which have an exchange agreement with the U.S. Patent and Trademark Office.

2293 Intervening Rights

35 U.S.C. 307. Certificate of patentability, unpatentability, and claim cancellation.

* * * * *

(b) Any proposed amendment or new claim determined to be patentable and incorporated into a patent following a reexamination proceeding will have the same effect as that specified in section 252 of this title for reissued patents on the right of any person who made, purchased, or used any thing patented by such proposed amended or new claim, or who made substantial preparation for the same, prior to issuance of a certificate under the provisions of subsection (a) of this section.

The situation of intervening rights resulting from reexamination proceedings parallel those resulting from reissue proceedings and the rights detailed in 35 U.S.C. 252 apply equally in reexamination and reissue situations.

2294 Terminated Reexamination Files

Terminated reexamination files in which reexamination has been denied should be forwarded to the Files Repository (Location Code 920) for storage with the patent file.

The files sent to the Files Repository must have either (1) a certificate date and number (i.e. a Reexamination Certificate has issued), or (2) the word "Terminated" written in green ink on the face of the file at the top between the word "Reexam" and the patent number. The Reexam Clerk in each group should make sure that an appropriate refund has been made before the word "Terminated" is placed on the file, and the file is sent to the Files Repository.

REEXAMINATION CERTIFICATE (11th)

United States Patent [19]
Lobur

CLASSIFICATION NO. (11) **B1 3,614,368**
[45] Certificate Issued **Aug. 3, 1982**

[54] **ELECTRICAL DISCHARGE MACHINING SHORT CIRCUIT PROTECTION SYSTEM OF THE KEYED TYPE**

[72] Inventor: **Walter Lobur, Clawson, Mich.**
[73] Assignee: **Colt Industries Operating Corp., New York, N.Y.**

[52] U.S. Cl. 219/69 P, 219/69 C

[56] **References Cited**

2,769,078	10/1956	Matulaitis.....	219/69 P
2,951,969	9/1960	Matalaitis, et al.....	315/227
3,018,411	1/1962	Webb.....	219/69 P
3,360,683	12/1967	Isaue.....	219/69 P
3,439,145	4/1969	Sennowitz.....	219/69 P
3,515,838	6/1967	Lobur.....	219/69 P

Reexamination Request

No. 90/000,039, Jul. 27, 1981

Reexamination Certificate for:

Patent No.: **3,614,368**
Issued: **Oct. 19, 1971**
Appl. No.: **1,732**
Filed: **Jan. 9, 1970**

Related U.S. Application Data

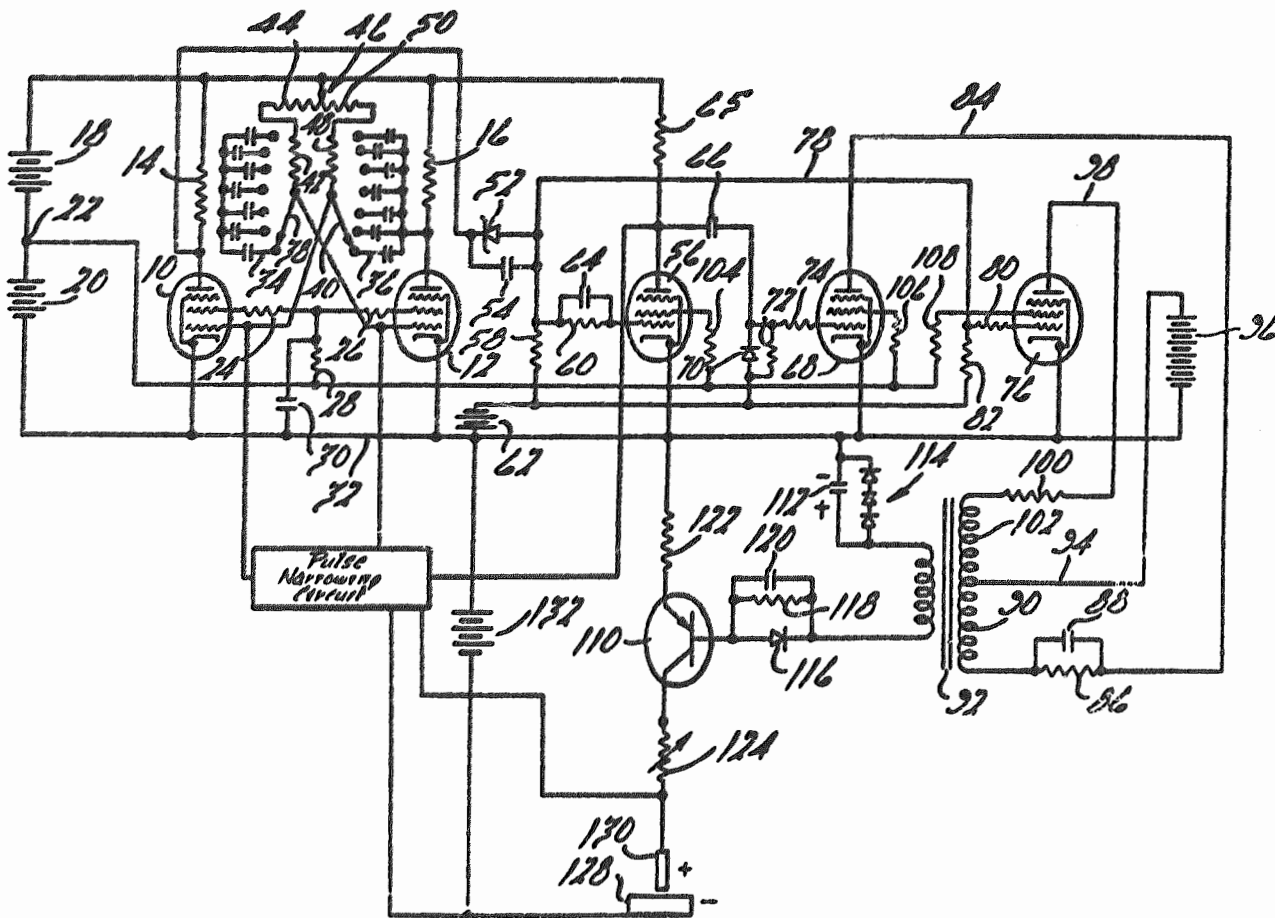
[63] Continuation-in-part of Ser. No. 617,700, Feb. 21, 1967, Patent No. 3,515,838.

[51] Int. Cl.³..... **B23P 1/02**

Primary Examiner—Clifford C. Shaw

[57] **ABSTRACT**

A circuit for providing machining pulse off-time control responsive to gap short circuit condition and responsive to gap open circuit condition. During the aforesaid short circuit condition, machining current is reduced by increasing machining pulse off-time. However, the pulse on-time is maintained constant and is substantially the same as before the occurrence of either gap short circuit or open circuit condition.



REEXAMINATION CERTIFICATE B1 3,614,368

REEXAMINATION CERTIFICATE ISSUED UNDER 35 U.S.C. 307

THE PATENT IS HEREBY AMENDED AS INDICATED BELOW

Matter enclosed in heavy brackets appeared in the patent, but has been deleted and is no longer a part of the patent; matter printed in italics indicates additions made to the patent.

AS A RESULT OF REEXAMINATION, IT HAS BEEN DETERMINED THAT:

The patentability of Claims 1, 5 and 6 is confirmed.

Claims 2, 3 and 4 are amended and determined to be patentable.

2. In an apparatus for machining a conductive workpiece by passing machining power pulses between a tool electrode and said workpiece across a dielectric coolant filled gap, a power supply, an electronic switch having a control electrode and a pair of principal electrodes, said principal electrodes operatively connected between said power supply and said gap for providing power pulses thereto, pulser means operatively connected to said control electrode of said switch for operating it with a predetermined on-off time ratio for said pulses, wherein the improvement comprises means operatively connected to said gap for sensing gap short circuit condition, means responsive to said condition and operatively connected between said last-mentioned means and said pulser for increasing the off-time of said switch for each of said pulses, but maintaining its on-time for each of said pulses constant, and for returning said pulser to said predetermined ratio after removal of said condition.

3. In an apparatus for machining a conductive workpiece by passing machining power pulses between a tool electrode and said workpiece across a dielectric coolant filled gap, a power supply, an elec-

tronic switch having a control electrode and a pair of principal electrodes, said principal electrodes operatively connected between said power supply and said gap for providing power pulses thereto, pulser means operatively connected to the control electrode of said switch for operating it with a predetermined on-off time ratio for said pulses, a drive stage coupled between said pulser and said switch and operable in unison therewith wherein the improvement comprises a reference voltage network, a gap voltage sensing network, means connected between said networks for comparing said voltages and providing a signal output to said pulser to increase pulse off-time for each of said pulses but to hold pulse on-time for each of said pulses constant for the duration of [responsive to] a voltage difference therebetween representative of gap short circuit condition.

4. [The combination set forth in claim 3] In an apparatus for machining a conductive workpiece by passing machining power pulses between a tool electrode and said workpiece across a dielectric coolant filled gap, a power supply, an electronic switch having a control electrode and a pair of principal electrodes, said principal electrodes operatively connected between said power supply and said gap for providing power pulses thereto, pulser means operatively connected to the control electrode of said switch for operating it with a predetermined on-off time ratio, a drive stage coupled between said pulser and said switch and operable in unison therewith wherein the improvement comprises a reference voltage network, a gap voltage sensing network, means connected between said networks for comparing said voltages and providing a signal output to said pulser to increase pulse off-time but to hold pulse on-time constant responsive to a voltage difference therebetween representative of gap short circuit condition, wherein said reference voltage network is operatively connected to said drive stage for keying it in phase therewith.

* * * * *

REEXAMINATIONS

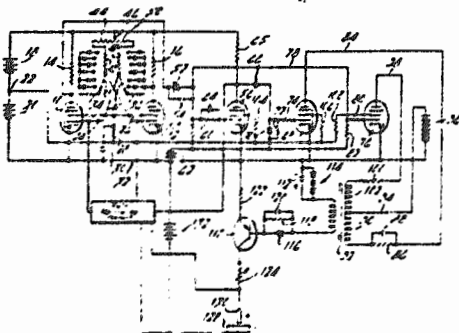
AUGUST 3, 1982

Matter enclosed in heavy brackets [] appears in the patent but forms no part of this reexamination specification; matter printed in italics indicates additions made by reexamination.

B1 3,614,368 (11th)

ELECTRICAL DISCHARGE MACHINING SHORT CIRCUIT PROTECTION SYSTEM OF THE KEYED TYPE

Walter Lobur, Clawson, Michigan, assignor to Colt Industries Operating Corp., New York, N.Y.
 Reexamination Request No. 90/000,039, Jul. 27, 1981.
 Reexamination Certificate for Patent No. 3,614,368, issued Oct. 19, 1971, Ser. No. 1,732, Jan. 9, 1970.
 U.S. Cl. 219-69 P Int. Cl.³ B23P 1/02



AS A RESULT OF REEXAMINATION, IT HAS BEEN DETERMINED THAT:

The patentability of claims 1, 5 and 6 is confirmed.

Claims 2, 3 and 4 are amended and determined to be patentable.

1. The method of electrical discharge machining comprising the steps of providing machining power pulses of a predetermined on-off time duration across a machining gap, wherein the improvement comprises sensing for short circuit condition of said gap; responsive to said condition, increasing the off-time of said pulses but maintaining said on-time constant; and, subsequent to removal of said condition, restoring the off-time of said pulses to said predetermined time duration.

B1 4,016,395 (12th)

WIRE ELECTRODE FEED SYSTEM FOR ELECTRICAL DISCHARGE MACHINING

Frank P. Rietveld, Matthews, N.C., assignor to Colt Industries Operating Corporation, New York, N.Y.
 Reexamination Request No. 90/000,040, Jul. 29, 1981.
 Reexamination Certificate for Patent No. 4,016,395, issued Apr. 5, 1977, Ser. No. 532,200, Dec. 12, 1974.
 U.S. Cl. 219-69 W Int. Cl.³ B23P 1/08

AS A RESULT OF REEXAMINATION, IT HAS BEEN DETERMINED THAT:

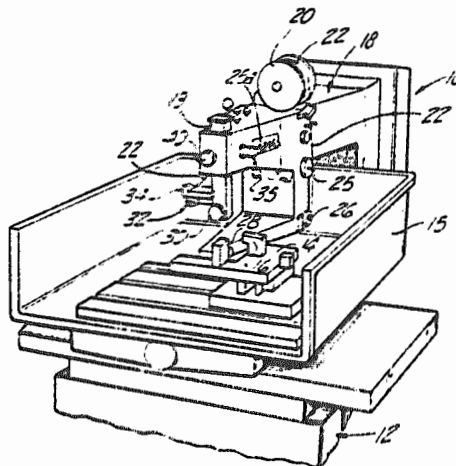
The patentability of claims 2-5 is confirmed.

Claim 1 is determined to be patentable as amended.

1. In an electrical discharge machining apparatus including a machine tool having a head which provides

machining of a workpiece by means of a conductive electrode wire, the combination comprising:

- a supply reel for the wire mounted in a freely rotatable manner on said machine tool;
- a plurality of guide rollers for retaining and transporting said wire in a continuous path to provide a cutting movement relative to the workpiece;
- a pair of opposed rollers biased one toward the other, one driven and the other driving, to provide a constant and uniform pulling force on the wire to provide its continuous movement through said path as machining progresses;
- a means operably connected to said driven roller for rocking it out of its juxtaposed position relative to said driving roller to provide clearance therebetween and allow for initial threading of the electrode wire;



said workpiece being mounted on a first table controllably movable in an X axial direction, said first table being further mounted on a second table for controlled movement in a Y axial direction; and said electrode wire being maintained in a precisely adjustable, vertical path by a pair of guide rollers, each of said guide rollers having its axis of rotation orthogonal to the axis of rotation of the other, said guide rollers further mounted at points spaced from the upper and lower surfaces of said workpiece, respectively, each of said last mentioned guide rollers being adjustable and lockable in the axial direction to provide for adjustment to a precise degree of the vertical path of said wire proximate to said workpiece and each of said last mentioned guide rollers having a circumferential groove for retaining said wire.

1021 OG 7