

Chapter 2200 Citation of Prior Art and Ex Parte Reexamination of Patents

2201	Introduction	2227	Incomplete Request for Ex Parte Reexamination Filed under 35 U.S.C. 302
2202	Citation of Prior Art and Written Statements	2228	[Reserved]
2203	Persons Who May Cite Prior Art or Written Statements	2229	Notice of Request under 35 U.S.C. 302 for Ex Parte Reexamination in Official Gazette
2204	Time for Filing Prior Art or Section 301 Written Statements	2230	Constructive Notice to Patent Owner
2205	Content of Prior Art or Section 301 Written Statements	2231	Processing of Request Corrections
2206	Submission and Handling of Prior Art or Section 301 Written Statements	2232	Public Access to Reexaminations Filed under 35 U.S.C. 302
2207	Entry of Court Decision in Patent File	2232.01	Determining if a Reexamination Request Was Filed under 35 U.S.C. 302 for a Patent
2208	Service of Prior Art or Section 301 Written Statements on Patent Owner	2233	Processing in Central Reexamination Unit and Technology Center
2209	Ex Parte Reexamination	2234	Entry of Amendments
2210	Request for Ex Parte Reexamination under 35 U.S.C. 302	2235	Record Systems
2211	Time for Requesting Ex Parte Reexamination under 35 U.S.C. 302	2236	Assignment of Reexamination
2212	Persons Who May File a Request for Ex Parte Reexamination under 35 U.S.C. 302	2237	Transfer Procedure
2212.01	Inquiries from Persons Other Than the Patent Owner	2238	Time Reporting
2213	Representative of Requester	2239	Reexamination Ordered at the Director's Initiative
2214	Content of Request for Ex Parte Reexamination Filed under 35 U.S.C. 302	2240	Decision on Request Filed under 35 U.S.C. 302
2215	Fee for Requesting Ex Parte Reexamination under 35 U.S.C. 302	2241	Time for Deciding Request Filed under 35 U.S.C. 302
2216	Substantial New Question of Patentability	2242	Criteria for Deciding Request Filed under 35 U.S.C. 302
2217	Statement Applying Prior Art in a Request Filed under 35 U.S.C. 302	2243	Claims Considered in Deciding Request Filed under 35 U.S.C. 302
2218	Copies of Prior Art	2244	Prior Art on Which the Determination Is Based in Requests Filed under 35 U.S.C. 302
2219	Copy of Printed Patent	2245	Processing of Decision
2220	Certificate of Service	2246	Decision Ordering Reexamination under 35 U.S.C. 304
2221	Amendments Included in Request Filed under 35 U.S.C. 302 by Patent Owner	2247	Decision under 35 U.S.C. 303 on Request for Reexamination filed Under 35 U.S.C. 302, Request Denied
2222	Address of Patent Owner	2247.01	Examples of Decisions on Request for Reexamination
2223	Withdrawal of Attorney or Agent	2248	Petition From Denial of Request Filed Under 35 U.S.C. 302
2224	Correspondence	2249	Patent Owner's Statement in Reexaminations Filed Under 35 U.S.C. 302
2225	Untimely Paper Filed Prior to Order under 35 U.S.C. 304	2250	Amendment by Patent Owner
2226	Initial Processing of Request for Ex Parte Reexamination Filed under 35 U.S.C. 302	2250.01	Correction of Patent Drawings

2250.02	Correction of Inventorship	2280	Information Material to Patentability in Reexamination Proceeding Filed under 35 U.S.C. 302
2250.03	Fees for Adding Claims and for Filing a Petition	2281	Interviews in Ex Parte Reexamination Proceedings
2251	Reply by Third Party Requester	2282	Notification of Existence of Prior or Concurrent Proceedings and Decisions Thereon
2252	Consideration of Statement and Reply	2283	Multiple Copending Ex Parte Reexamination Proceedings
2253	Consideration by Examiner	2284	Copending Ex Parte Reexamination and Interference Proceedings
2254	Conduct of Ex Parte Reexamination Proceedings	2285	Copending Ex Parte Reexamination and Reissue Proceedings
2255	Who Reexamines	2286	Ex Parte Reexamination and Litigation Proceedings
2256	Prior Art Patents and Printed Publications Reviewed by Examiner in Reexamination	2286.01	Reexamination and Inter Partes Review Proceedings, Post-Grant Review, and Covered Business Method Patent Review
2257	Listing of Prior Art	2287	Conclusion of Ex Parte Reexamination Proceeding
2258	Scope of Ex Parte Reexamination	2287.01	Examiner Consideration of Submissions After a NIRC
2258.01	Use of Previously Cited/Considered Art in Rejections	2288	Issuance of Ex Parte Reexamination Certificate
2258.02	Claiming Foreign Priority and Domestic Benefit in Reexamination	2289	Reexamination Review
2259	Res Judicata and Collateral Estoppel in Reexamination Proceedings	2290	Format of Ex Parte Reexamination Certificate
2260	Office Actions	2291	Notice of Ex Parte Reexamination Certificate Issuance in Official Gazette
2260.01	Dependent Claims	2292	Distribution of Certificate
2261	Special Status for Action	2293	Intervening Rights
2262	Form and Content of Office Action	2294	Concluded Reexamination Proceedings
2263	Time for Response	2295	Reexamination of a Reexamination
2264	Mailing of Office Action	2296	USPTO Forms To Be Used In Ex Parte Reexamination
2265	Extension of Time		
2266	Responses		
2266.01	Submission Not Fully Responsive to Non-Final Office Action		
2266.02	Examiner Issues Notice of Defective Paper in Ex Parte Reexamination		
2266.03	Service of Papers		
2267	Handling of Inappropriate or Untimely Filed Papers		
2268	Petition for Entry of Late Papers for Revival of Reexamination Proceeding		
2269	Reconsideration		
2270	Clerical Handling		
2271	Final Action		
2271.01	Panel Review		
2272	After Final Practice		
2273	Appeal in Ex Parte Reexamination		
2274	Appeal Brief		
2275	Examiner's Answer		
2276	Oral Hearing		
2277	Board Decision		
2278	Action Following Decision		
2279	Appeal to Courts		
		2201	Introduction [R-07.2015]
			Statutory basis for citation of prior art patents or printed publications in patent files and <i>ex parte</i> reexamination of patents became available on July 1, 1981, as a result of new sections 301-307 of title 35, United States Code, which were added by Public Law 96-517, enacted on December 12, 1980. The rules of practice in patent cases relating to reexamination were initially promulgated on April 30, 1981, at 46 FR 24179-24180 and on May 29, 1981, at 46 FR 29176-29187.

The reexamination statute was amended on November 2, 2002, by Public Law 107-273, 116 Stat. 1758, 1899-1906 (2002) to expand the scope of what qualifies for a substantial new question of patentability upon which an *ex parte* reexamination may be based (see [MPEP § 2242](#), subsection II.A), and made technical corrections to the statute. See the 21st Century Department of Justice Appropriations Authorization Act, TITLE III-INTELLECTUAL PROPERTY, Subtitle A - Patent and Trademark Office, Section 13105, of the “Patent and Trademark Office Authorization Act of 2002” - Enacted as part of Public Law 107-273 on November 2, 2002.

On September 16, 2012, the Leahy-Smith America Invents Act (the AIA), Public Law 112-29, 125 Stat. 284, was enacted. The AIA expanded the scope of information that any party may cite in a patent file to include written statements of a patent owner filed in a proceeding before a federal court or the United States Patent and Trademark Office (Office) regarding the scope of any claim of the patent, and provides for how such information may be considered in *ex parte* reexamination, *inter partes* review, and post grant review. The AIA also provided for an estoppel that may attach with respect to the filing of an *ex parte* reexamination request subsequent to a final written decision in an *inter partes* review or post grant review proceeding.

The AIA also provided for a first-inventor-to-file prior art regime to replace the first-to-invent prior art regime, with respect to prior art available to be applied to claims. The prior art regime under which the application for the patent was examined (the first-inventor-to-file prior art regime, or the first-to-invent prior art regime) will generally be applied in the reexamination of the patent. However, there are rare exceptions. For example, a situation may arise in which a benefit claim to an application filed before March 16, 2013, is added in a reexamination proceeding based on an AIA patent. If all of the claims that have ever been presented in the reexamination proceeding and the underlying patent are fully supported by the prior application filed before March 16, 2013, and the application which resulted in the patent subject to the reexamination proceeding did not claim, directly or indirectly, the benefit of an application filed in the

United States that presented at any time a claim that had an effective filing date on or after March 16, 2013, then the reexamination proceeding would be examined under the pre-AIA, first to invent, provisions.

This chapter is intended to primarily be a guide for U.S. Patent and Trademark Office (Office) personnel on the processing of prior art citations and *ex parte* reexamination requests under [35 U.S.C. 302](#), as well as handling *ex parte* reexamination proceedings. Second, it serves as a guide to the formal requirements for filing such documents in the Office. It is noted that all citations in this chapter to 35 U.S.C. discussing the first-to-invent prior art regime (as opposed to the first-inventor-to-file prior art regime) are to the relevant statute in effect prior to March 16, 2013.

Ex Parte Reexamination Proceedings Resulting from Supplemental Examination Proceedings: Section 12 of the AIA added new [35 U.S.C. 257](#), which provides for a proceeding titled “supplemental examination” that may be requested by the patent owner to consider, reconsider, or correct information believed to be relevant to the patent in accordance with requirements which have been established by the Office. The information that may be presented in a request for supplemental examination is not limited to patents and printed publications, and may include, for example, issues of patentability under [35 U.S.C. 101](#) and [35 U.S.C. 112](#). If the supplemental examination certificate, which is issued under [35 U.S.C. 257\(a\)](#), states that a substantial new question of patentability is raised by one or more items of information in the request, *ex parte* reexamination of the patent will be ordered under [35 U.S.C. 257](#). See [MPEP Chapter 2800](#) for guidance on the procedures for supplemental examination proceedings, and for procedures regarding the order and first Office action mailed in any *ex parte* reexamination proceeding ordered as a result of a supplemental examination proceeding.

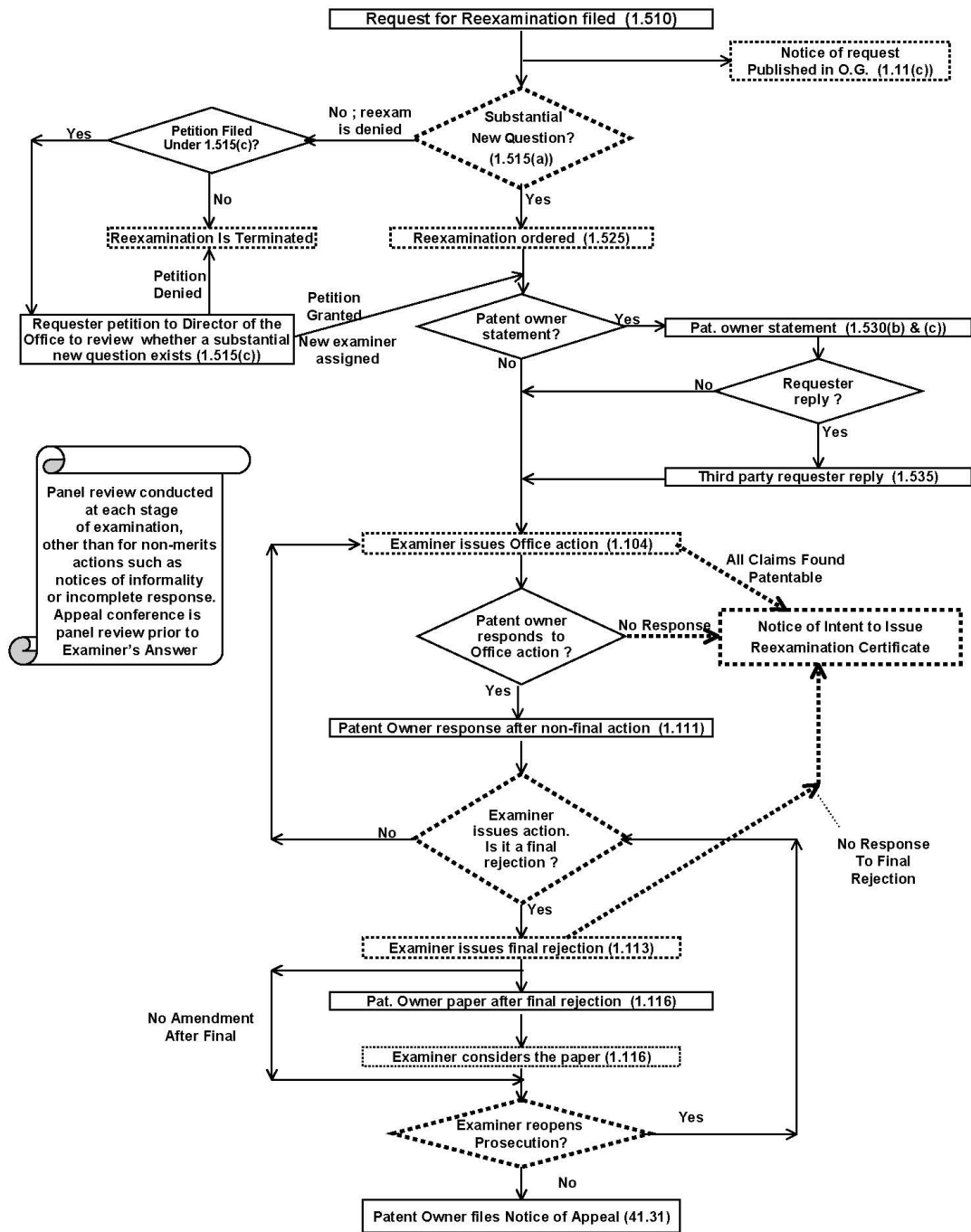
Inter Partes Reexamination Proceedings: On November 29, 1999, the American Inventors Protection Act of 1999 (the AIPA), Public Law 106-113 was enacted, and expanded reexamination by providing an “*inter partes*” option. The AIPA authorized the extension of reexamination

proceedings via an optional *inter partes* reexamination procedure in addition to *ex parte* reexamination. [35 U.S.C. 311 - 318](#) (in effect for *inter partes* reexaminations filed prior to September 16, 2012) are directed to the optional *inter partes* reexamination procedures. The final rules to implement the optional *inter partes* reexamination were published in the Federal Register on December 7, 2000 at 65 FR 76756 and in the Official Gazette on January 2, 2001 at 1242 OG 12. Effective September 16, 2012, section 6(c) of the Leahy-Smith America Invents Act (the AIA), Public Law 112-29, 125 Stat. 284, replaced the *inter partes* reexamination process that was established by the AIPA with an *inter partes* review process, such that (on or after September 16, 2012) the Office no longer entertains requests for *inter partes* reexamination

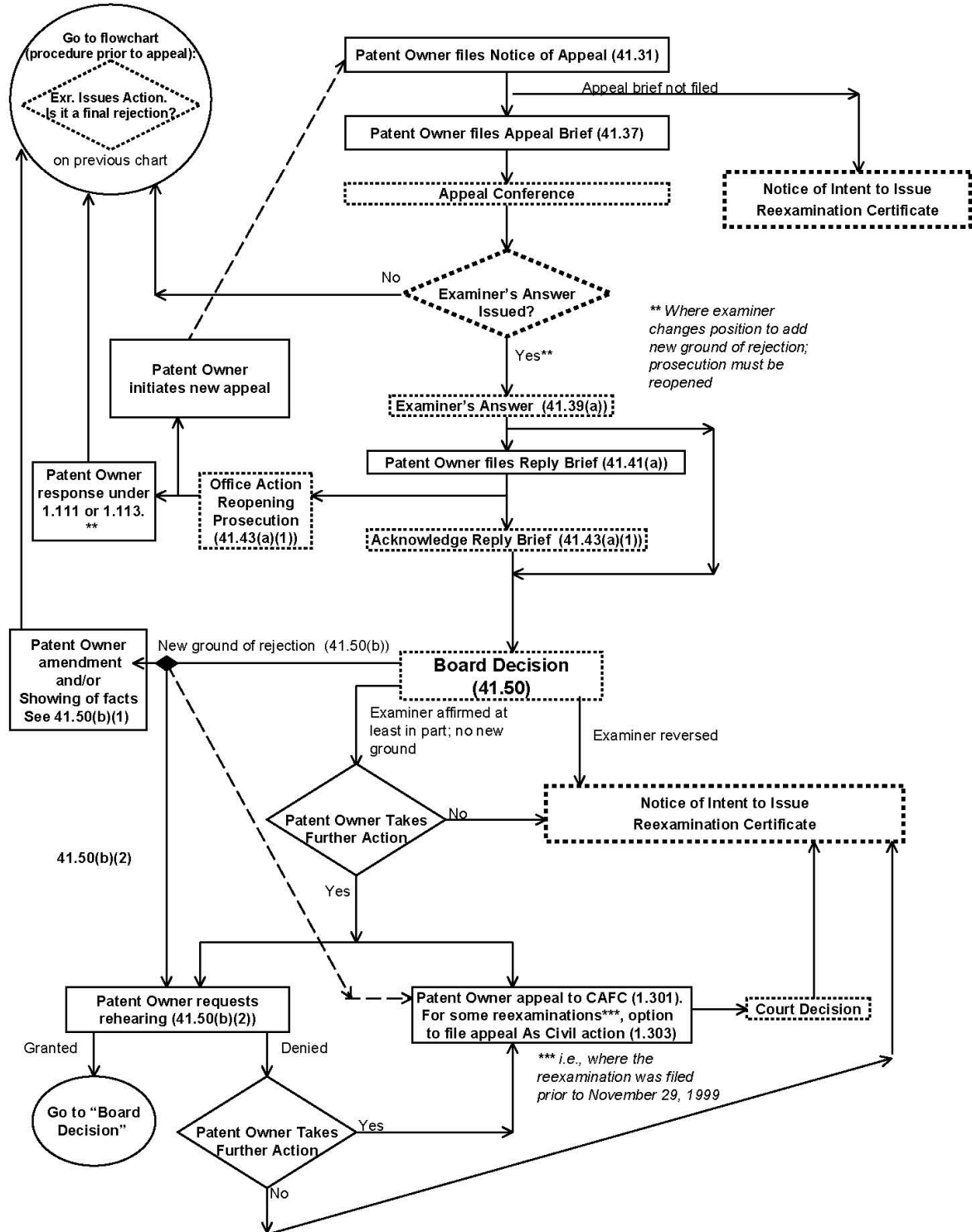
but instead accepts petitions to conduct *inter partes* review before the Board, where appropriate. For any *inter partes* reexamination filed prior to September 16, 2012, the provisions of [35 U.S.C. 311 - 318](#) as they were in effect prior to September 16, 2012, continue to apply to the *inter partes* reexamination proceedings. See [MPEP Chapter 2600](#) for guidance on the procedures for *inter partes* reexamination proceedings, as well as with respect to an *ex parte* reexamination proceeding merged (consolidated) with an *inter partes* reexamination proceeding.

Flowcharts: The flowcharts show the general provisions of both the citation of prior art and *ex parte* reexamination proceedings, including reference to the pertinent rule sections.

Ex Parte Reexamination - PROCEDURE PRIOR TO APPEAL
(applicable rule section)



Ex Parte Reexamination – PROCEDURE FROM TIME OF APPEAL
(applicable rule section)



2202 Citation of Prior Art and Written Statements [R-08.2017]

35 U.S.C. 301 Citation of prior art.

(a) IN GENERAL.—Any person at any time may cite to the Office in writing—

(1) prior art consisting of patents or printed publications which that person believes to have a bearing on the patentability of any claim of a particular patent; or

(2) statements of the patent owner filed in a proceeding before a Federal court or the Office in which the patent owner took a position on the scope of any claim of a particular patent.

(b) OFFICIAL FILE.—If the person citing prior art or written statements pursuant to subsection (a) explains in writing the pertinence and manner of applying the prior art or written statements to at least 1 claim of the patent, the citation of the prior art or written statements and the explanation thereof shall become a part of the official file of the patent.

(c) ADDITIONAL INFORMATION.—A party that submits a written statement pursuant to subsection (a)(2) shall include any other documents, pleadings, or evidence from the proceeding in which the statement was filed that addresses the written statement.

(d) LIMITATIONS.—A written statement submitted pursuant to subsection (a)(2), and additional information submitted pursuant to subsection (c), shall not be considered by the Office for any purpose other than to determine the proper meaning of a patent claim in a proceeding that is ordered or instituted pursuant to [section 304](#), [314](#), or [324](#). If any such written statement or additional information is subject to an applicable protective order, such statement or information shall be redacted to exclude information that is subject to that order.

(e) CONFIDENTIALITY.—Upon the written request of the person citing prior art or written statements pursuant to subsection (a), that person's identity shall be excluded from the patent file and kept confidential.

37 CFR 1.501 Citation of prior art and written statements in patent files.

(a) Information content of submission: At any time during the period of enforceability of a patent, any person may file a written submission with the Office under this section, which is directed to the following information:

(1) Prior art consisting of patents or printed publications which the person making the submission believes to have a bearing on the patentability of any claim of the patent; or

(2) Statements of the patent owner filed by the patent owner in a proceeding before a Federal court or the Office in which the patent owner took a position on the scope of any claim of the patent. Any statement submitted under this paragraph must be accompanied by any other documents, pleadings, or evidence from the proceeding in which the statement was filed that address the written statement, and such statement and accompanying information under this paragraph must be submitted in redacted form to exclude information subject to an applicable protective order.

(3) Submissions under paragraph (a)(2) of this section must identify:

(i) The forum and proceeding in which patent owner filed each statement;

(ii) The specific papers and portions of the papers submitted that contain the statements; and

(iii) How each statement submitted is a statement in which patent owner took a position on the scope of any claim in the patent.

(b) *Explanation*: A submission pursuant to paragraph (a) of this section:

(1) Must include an explanation in writing of the pertinence and manner of applying any prior art submitted under paragraph (a)(1) of this section and any written statement and accompanying information submitted under paragraph (a)(2) of this section to at least one claim of the patent, in order for the submission to become a part of the official file of the patent; and

(2) May, if the submission is made by the patent owner, include an explanation of how the claims differ from any prior art submitted under paragraph (a)(1) of this section or any written statements and accompanying information submitted under paragraph (a)(2) of this section.

(c) *Reexamination pending*: If a reexamination proceeding has been requested and is pending for the patent in which the submission is filed, entry of the submission into the official file of the patent is subject to the provisions of [§ 1.502](#) and [1.902](#).

(d) *Identity*: If the person making the submission wishes his or her identity to be excluded from the patent file and kept confidential, the submission papers must be submitted anonymously without any identification of the person making the submission.

(e) *Certificate of Service*: A submission under this section by a person other than the patent owner must include a certification that a copy of the submission was served in its entirety upon patent owner at the address as provided for in [§ 1.33\(c\)](#). A submission by a person other than the patent owner that fails to include proper proof of service as required by [§ 1.248\(b\)](#) will not be entered into the patent file.

37 CFR 1.502 Processing of prior art citations during an ex parte reexamination proceeding.

Citations by the patent owner under [§ 1.555](#) and by an *ex parte* reexamination requester under either [§ 1.510](#) or [§ 1.535](#) will be entered in the reexamination file during a reexamination proceeding. The entry in the patent file of citations submitted after the date of an order to reexamine pursuant to [§ 1.525](#) by persons other than the patent owner, or an *ex parte* reexamination requester under either [§ 1.510](#) or [§ 1.535](#), will be delayed until the reexamination proceeding has been concluded by the issuance and publication of a reexamination certificate. See [§ 1.902](#) for processing of prior art citations in patent and reexamination files during an *inter partes* reexamination proceeding filed under [§ 1.913](#).

37 CFR 1.902 Processing of prior art citations during an inter partes reexamination proceeding.

Citations by the patent owner in accordance with [§ 1.933](#) and by an *inter partes* reexamination third party requester under [§ 1.915](#) or [§ 1.948](#) will be entered in the *inter partes* reexamination file. The entry in the patent file of other citations submitted after the date of an order for reexamination pursuant to [§ 1.931](#) by persons other than the patent owner, or the third party requester under either [§ 1.913](#) or [§ 1.948](#), will be delayed until the *inter partes* reexamination proceeding has been concluded by the issuance and publication of a reexamination certificate. See [§ 1.502](#) for processing of prior art citations in patent and reexamination files during an *ex parte* reexamination proceeding filed under [§ 1.510](#).

Prior art in the form of patents or printed publications may be cited to the Office for placement into the patent files. Written statements made by the patent owner concerning the scope of the claims can also be cited to the Office for placement into the patent files. Submission may be made without payment of a fee. These citations may be made separate from and without a request for reexamination.

The basic purpose for citing prior art in patent files is to inform the patent owner and the public in general that such patents or printed publications are in existence and should be considered when evaluating the validity of the patent claims. The basic purpose for citing written claim scope statements is to ensure that the patent owner takes consistent positions regarding the scope of the claims of a particular patent in the courts and the before the Office. Placement in the patent file also ensures consideration thereof during any subsequent reissue application, reexamination proceeding, or other post-patent proceeding.

The citation of prior art and written statement provisions of [35 U.S.C. 301](#) and [37 CFR 1.501](#) do not apply to citations or protests filed in pending applications.

2203 Persons Who May Cite Prior Art or Written Statements [R-07.2015]

The patent owner, or any member of the public, may submit prior art patents or printed publications and/or written statements and additional information to the Office. [35 U.S.C. 301](#) states that “[a]ny person at any time may cite to the Office. . . .”

“Any person” may be a corporate or governmental entity as well as an individual.

“Any person” includes patentees, licensees, reexamination requesters, real parties in interest to the patent owner or requester, persons without a real interest, and persons acting for real parties in interest without a need to identify the real party of interest.

If a person citing prior art or written statements desires his or her identity to be kept confidential, such a person need not identify himself or herself. Persons other than reexamination requesters who desire to remain confidential are therefore advised to not identify themselves anywhere in their papers.

For reexamination requesters, the certification requirement of [37 CFR 1.510\(b\)\(6\)](#), coupled with a party’s [37 CFR 11.18](#) certification obligations when transacting business before the Office, are considered sufficient to ensure compliance with the *inter partes* review and post grant statutory estoppel requirements. A real party in interest that wishes to remain anonymous when filing a request for reexamination under [37 CFR 1.510](#) can do so by utilizing the services of a registered practitioner. In such an instance, the registered practitioner submitting a request for reexamination on behalf of the real party in interest would be certifying that the real party in interest was not estopped from filing the request. Conversely, an individual filing a request for reexamination under [37 CFR 1.510](#) on behalf of himself cannot remain anonymous, as he is required to sign the document that includes the [37 CFR 1.510\(b\)\(6\)](#) certification.

Confidential submissions should include proper proof of service as required by [37 CFR 1.248\(b\)](#) that the patent owner has been sent a copy of the submission; otherwise the submission will not be entered into the patent file.

Patent examiners should not, at their own initiative, create a submission under [35 U.S.C. 301](#) and place it in a patent file or forward it for placement in the patent file. Patent examiners are delegated by the Director with the responsibility of making decisions as to patentability. Any activity by examiners which would appear to indicate that patent claims are not patentable, outside of those cases pending before them, is inappropriate.

2204 Time for Filing Prior Art or Section 301 Written Statements [R-07.2015]

Submissions may be filed “at any time” under [35 U.S.C. 301](#). However, this period has been defined by rule ([37 CFR 1.501\(a\)](#)) to be “any time during the period of enforceability of a patent.” The period of enforceability is generally the length of the term of the patent plus the 6 years under the statute of limitations for bringing an infringement action ([35 U.S.C. 286](#)). In addition, if litigation is instituted within the period of the statute of limitations, submissions may be filed after the statute of limitations has expired, as long as the patent is still enforceable against someone. While submission under [35 U.S.C. 301](#) may be filed at any time during the period of enforceability of the patent, submissions filed after the date of any order to reexamine will not be entered into the patent file until the pending reexamination proceeding has been concluded ([37 CFR 1.501\(c\)](#)), unless the submissions are submitted (A) by the patent owner, (B) by an *ex parte* reexamination requester who also submits the fee and other documents required under [37 CFR 1.510](#), (C) in an *ex parte* third party requester’s reply under [37 CFR 1.535](#), or (D) as an enterable submission pursuant to [37 CFR 1.948](#) in an *inter partes* reexamination proceeding.

The purpose of this rule is to prevent harassment of the patent owner due to frequent submissions of prior art citations during reexamination proceedings.

2205 Content of Prior Art or Section 301 Written Statements [R-07.2015]

Information that may be submitted under [35 U.S.C. 301](#) is limited to prior art consisting of patents or printed publications or written statements of the patent owner filed in a proceeding before a federal court or the Office by the patent owner in which the patent owner took a position on the scope of any claim of the patent.

Pursuant to [35 U.S.C. 301](#), an explanation is required of how the person submitting the prior art or written statement considers it to be pertinent and applicable to the patent. The submission must, at a minimum, contain some broad statement of the pertinence and

manner of applying the prior art or written statement submitted as to the patentability of the claims of the patent. The explanation of how the person submitting the prior art or written statement considers it to be pertinent and applicable to the patent would set forth, for at least one of the patent claims, how each item cited shows or teaches at least one limitation of the claim. Submissions by patent owners may also include an explanation of how the claims of the patent differ from the submitted prior art or written statement.

Copies of all the submitted prior art patents, printed publications or [section 301](#) written statements and any necessary English translation must be included so that the value of the information may be readily determined by persons inspecting the patent files and by the examiner during any subsequent reissue, reexamination proceeding, or other post patent proceeding.

All submissions filed by persons other than the patent owner must include proper proof of service as required by [37 CFR 1.248\(b\)](#) reflecting that a copy of the submission has been mailed to, or otherwise served upon, the patent owner at the correspondence address as defined under [37 CFR 1.33\(c\)](#).

All submissions filed should identify the patent to which the citation pertains by identifying the patent number, issue date, and patentee using a cover sheet. The documents themselves should also contain, or have placed thereon, an identification of the patent for which they are intended.

A submission that includes written statements must also include any other additional information, e.g. documents, pleadings, or evidence from the proceeding, in which the statement was filed that address the written statement, and such statement and accompanying information under this paragraph must be submitted in redacted form to exclude information subject to any applicable protective order.

A submission that includes [section 301](#) written statements must, pursuant to [37 CFR 1.501\(a\)\(3\)](#), further include the identification of: (1) The forum and proceeding in which patent owner filed each

statement; (2) The specific papers and portions of the papers submitted that contain the statement; and (3) How each statement submitted is a statement in which patent owner took a position on the scope of any claim in the patent. Identification of the portions of the papers required by [37 CFR 1.501\(a\)\(3\)\(ii\)](#) can be satisfied, for example, by citing to the documents and specific pages of those documents where the patent owner claim scope statements are found. The requirement of [37 CFR 1.501\(a\)\(3\)\(iii\)](#) ensures that the statement is one in which patent owner has taken a position on claim scope in a proceeding and not merely a restatement of a position asserted by another party. Other information can be provided by the submitter to assist the Office in readily identifying the patent owner claim scope statement, such as (1) information regarding the status of the proceeding and (2) the relationship of the proceeding to the patent.

Affidavits or declarations or other written evidence relating to the submitted documents may accompany the [37 CFR 1.501](#) submission to explain the contents or pertinent dates in more detail. A commercial success affidavit tied in with a particular document may also be acceptable. For example, the patent owner may wish to cite a patent or printed publication which raises the issue of obviousness of at least one patent claim. Together with the cited art, the patent owner may file (A) an affidavit of commercial success or other evidence of nonobviousness, or (B) an affidavit which questions the enablement of the teachings of the cited prior art.

No fee is required for the submission under [37 CFR 1.501](#).

A submission under [37 CFR 1.501](#) is limited to patents, printed publications, or patent owner written claim scope statements, additional information and an explanation of the pertinency and applicability of them. This may include an explanation by the patent owner as to how the claims differ from the prior art patents or printed publications or written claim scope statement and additional information. It may also include affidavits and declarations. The submission cannot include any issue which is not directed to patents, printed publications or written claim scope statements and additional information.

Thus, for example, a submission cannot include a statement as to the claims violating [35 U.S.C. 112](#), a statement as to the public use of the claimed invention, or a statement as to the conduct of the patent owner. The submission must be directed to patents, printed publications and/or written claim scope statements and additional information and cannot discuss what the patent owner did, or failed to do, with respect to submitting and/or describing patents and printed publications during examination, because that would be a statement as to the conduct of the patent owner. The submission also should not contain argument and discussion of references previously treated in the prosecution of the application which matured into the patent or references previously treated in a reexamination proceeding as to the patent.

If the submission contains any issue not directed to patents, printed publications or patent owner written claim scope statements, it should not be entered into the patent file, despite the fact that it may otherwise contain a complete submission of patents, printed publications and/or written statements and additional information with an explanation of the pertinency and applicability. Rather, the submission should be returned to the sender, discarded, or closed as described in [MPEP § 2206](#).

Examples of letters submitting prior art under [37 CFR 1.501](#) follow.

EXAMPLE I

Submission by a third party:

IN THE UNITED STATES PATENT AND TRADEMARK OFFICE

In re patent of Joseph Smith Patent No. 9,999,999
Issued: July 7, 2000 For: Cutting Tool
Submission of Prior Art Under 37 CFR 1.501
Hon. Commissioner for Patents P.O. Box 1450
Alexandria, VA 22313-1450

Sir:

The undersigned herewith submits in the above-identified patent the following prior art (including copies thereof) which is pertinent and applicable to the patent and is believed to have a

bearing on the patentability of at least claims 1 – 3 thereof:

Weid et al. U.S. 2,585,416 April 15, 1933; McGee U.S. 2,722,794 May 1, 1934; Paulk et al. U.S. 3,625,291 June 16, 1936

Each of the references discloses a cutting tool strikingly similar to the device of Smith in having pivotal handles with cutting blades and a pair of dies. It is believed that each of the references has a bearing on the patentability of claims 1 – 3 of the Smith patent.

Insofar as claims 1 and 2 are concerned, each of the references anticipates the claimed subject matter under 35 U.S.C. 102. See Figure 2 and column 2 lines 20-45 of Weid et al., Figure 4 and column 3 lines 10-35 of Paulk et al., and Figure 2 and column 2 lines 12-25 of McGee.

As to claim 3, only Weid et al. is a relevant primary reference, and the differences between the subject matter of this claim and the cutting tool of Weid et al are shown in the device of Paulk et al. Further, Weid et al suggests that different cutting blades can be used in their device. A person of ordinary skill in the art at the time the invention was made would have been led by the suggestion of Weid et al to the cutting blades of Paulk et al. as obvious substitutes for the blades of Weid et al.

Respectfully submitted, (Signed)

Certificate of Service

I hereby certify on this first day of June 1982, that a true and correct copy of the foregoing “Submission of Prior Art” was mailed by first-class mail, postage paid, to:

John Roe, 555 Any Lane Anytown, VA 22202

(Signed)

/John Jones/

EXAMPLE II

Submission by the patent owner:

IN THE UNITED STATES PATENT AND
TRADEMARK OFFICE

In re patent of Joseph Smith Patent No. 9,999,999
Issued: July 7, 2000 For: Cutting Tool

Submission of Prior Art Under 37 CFR 1.501

Hon. Commissioner for Patents P.O. Box 1450
Alexandria, VA 22313-1450

Sir: The undersigned herewith submits in the above identified patent the following prior art (including copies thereof) which is pertinent and applicable to the patent and is believed to have a bearing on the patentability of at least claims 1-3 thereof:

Weid et al. U.S. 2,585,416 April 15, 1933; McGee U.S. 2,722,794 May 1, 1934; Paulk et al. U.S. 3,625,291 June 16, 1936

Each of the references discloses a cutting tool strikingly similar to the device of Smith in having pivotal handles with cutting blades and a pair of dies. See Figure 2 and column 2 lines 20-45 of Weid et al., Figure 4 and column 3 lines 10-35 of Paulk et al., and Figure 2 and column 2 lines 12-25 of McGee; limitations (a) – (c) and (e) of Smith claim 1 are visible in the figures, and are described in the disclosures. While it is believed that each of the references has a bearing on the patentability of claims 1 – 3 of the Smith patent, the subject matter claimed differs from the references and is believed patentable thereover.

Insofar as claims 1 and 2 are concerned, none of the references show the particular die (limitation (d) of Smith claim 1) claimed and the structure of these claimed dies would not have been obvious to a person of ordinary skill in the art at the time the invention was made.

As to claim 3, only Weid et al is a relevant primary reference, and the cutting blades required by claim 3 are shown in Paulk et al.; however, the remainder of the claimed structure is found only in Weid et al. A person of ordinary skill in the art at the time the invention was made would not have found it obvious to substitute the cutting blades of Paulk et al. for those of Weid et al. In fact, the disclosure of Weid et al. would lead a person of ordinary skill in the art away from the use of cutting blades such as shown in Paulk et al.

Respectfully submitted,

(Signed) John Doe Attorney for Patent Owner Reg.
No. 29760

2206 Submission and Handling of Prior Art or Section 301 Written Statements [R-08.2017]

A submission of prior art patents, or printed publications and/or written statements under [37 CFR 1.501](#) may be submitted to the Office via mail, hand-delivery, or via the Office's Electronic Filing System (EFS, currently EFS-Web) if the submission is properly filed as a prior art submission under [37 CFR 1.501](#) and not as a follow-on document or other paper. Both registered and unregistered eFilers may make a submission for a patent under [37 CFR 1.501](#) via EFS. A submission under [37 CFR 1.501](#) cannot be filed via EFS for design or plant patents. All submissions under [37 CFR 1.501](#) are reviewed for compliance prior to entry into the patent file. A submission submitted via EFS may not be submitted as a follow-on paper into the patent (similar to Third Party Preissuance submissions) because the submission would be directly entered into the patent file without review. The limitations on the method of submission allow staff to review the papers to determine if they are compliant before they are entered into the patent file. Submitting papers or documents via EFS directly into the patent by someone other than patent owner's representative is a violation of the Public Key Infrastructure (PKI) subscriber agreement and may lead to revocation of the PKI certificate used for the submission. See www.uspto.gov/patents/process/file/efs/guidance/501_QSG.pdf for more information on filing [37 CFR 1.501](#) submissions via EFS.

Submissions under [37 CFR 1.501](#) received in the Office will be forwarded to the Technology Center (TC) that currently examines the class and subclass of the patent to which the submission is directed.

It is the responsibility of the TC to promptly determine whether the submission meets the requirements of the statute and the rules and to enter it into the patent file at the appropriate time if proper.

If a proper submission is filed after the date of an order for reexamination, the submission will be stored until the reexamination is concluded. Note [37 CFR 1.502](#) and [1.902](#). After the reexamination proceeding is concluded, the submission is entered in the patent file. Submissions filed after the date of

an order for reexamination will not be considered by the examiner during the reexamination.

I. SUBMISSION QUALIFIES FOR ENTRY UNDER 37 CFR 1.501

A. *Submission by Third Party*

1. Prior to Order in Any Pending Reexamination Proceeding

If the [37 CFR 1.501](#) submission is proper (i.e., is limited to patents, printed publications, and/or patent owner written claim scope statements and additional information and includes the requisite citation description and information and proof of service on the patent owner), it should be entered into the patent file.

2. After the Order in Any Pending Reexamination Proceeding

If the [37 CFR 1.501](#) submission is filed after an order for reexamination in a pending reexamination proceeding, the submission must include proof of service of a copy of the submission on the patent owner. If the submission satisfies the conditions set forth in subsection I.A.1. above, and includes proof of service on the patent owner, the submission will be deemed to be proper. A proper submission is not entered after an order for reexamination in a pending reexamination because of the ongoing reexamination. It will be stored until the conclusion of the reexamination proceeding, after which the submission will be entered into the patent file. The patent owner and third party submitter (if known) should be alerted of this by a letter providing notification. If there is a third party requester, the third party requester should also be sent a copy of the notification letter pursuant to [37 CFR 1.550\(f\)](#). Such notification is important to enable the patent owner to consider submitting the prior art under [37 CFR 1.555](#) or [1.933](#) during the reexamination. Such notification will also enable the third party submitter to consider the desirability of filing a separate request for reexamination.

B. Submission Filed by Patent Owner

If a proper [37 CFR 1.501](#) submission is filed by the patent owner, it should be entered in the file. This is true whether the submission is filed prior to or after an order for reexamination has been mailed. No notification to the patent owner is necessary.

II. SUBMISSION DOES NOT QUALIFY FOR ENTRY UNDER 37 CFR 1.501

A. Submission by Third Party

If the [37 CFR 1.501](#) submission is not proper because it is not limited to patents, printed publications, and/or patent owner written claim scope statements and additional information or it fails to include the requisite description and information or proof of service, it will not be entered into the patent file. The third party submitter (if known) and the patent owner may, as described below, be notified that the citation submission is improper and that it is not being entered in the patent file. If the [37 CFR 1.501](#) submission is submitted via the EFS interface, the third party submitter or the patent owner may request to be notified that the citation submission is improper by requesting notification and entry of an email or postal address in the appropriate field provided in the interface.

The handling of the submission will vary depending on the particular following situations:

1. Service of Copy Included

Where the submission includes an indication of service of copy on the patent owner and the identity of the third party sender is known, the original submission should be returned to the third party sender, discarded, or closed if inadvertently entered into the file, and the third party submitter will be notified. Patent owner should be notified of non-entry.

2. Service of Copy Not Included; Identity of Third Party Sender Known

Where the submission does not include an indication of service on the patent owner and the identity of

the third party submitter is known, the submission should be returned to the third party submitter, discarded, or closed if inadvertently entered into the file, and the third party submitter will be notified. Patent owner will not be notified.

3. Service of Copy Not Included; Identity of Third Party Sender Not Known

Where the submission does not include an indication of service on the patent owner and the identity of the third party submitter is not known, the original submission papers will be discarded. Patent owner will not be notified.

B. Citation Filed by the Patent Owner

If an improper submission under [37 CFR 1.501](#) is filed by the patent owner prior to an order for reexamination, it should not be entered in the file.

The patent owner should be notified of the non-entry, and the submission should be returned to the patent owner, discarded, or closed if inadvertently entered in the file. Proper submissions filed by the patent owner in a reexamination proceeding after an order for reexamination should be entered in the file under [37 CFR 1.555](#) (for *ex parte* reexamination) or under [37 CFR 1.933](#) (for *inter partes* reexamination).

2207 Entry of Court Decision in Patent File [R-07.2015]

The Solicitor's Office processes *notices* required by [35 U.S.C. 290](#), received from the clerks of the various courts in the United States, and has them entered in the patent file. However, it is considered desirable that the *entire court decision* be supplied to the Office for entry into the patent file. Accordingly, the Office will accept at *any time* from *any party* for placement in the patent file, submissions of the following: copies of notices of suits, copies of notices regarding other proceedings involving the patent and copies of decisions from litigation or other proceedings involving the patent. The Office will accept for entry into the patent file other court papers, or papers filed in the court, from litigation or other proceedings involving the patent. The decisions from litigation or other proceedings include final court decisions (even if the decision is

still appealable), decisions to vacate, decisions to remand, and decisions as to the merits of the patent claims. Non-merit decisions (e.g., on motions for a new venue, a new trial/discovery date, or sanctions) will not be entered and will be expunged from the patent file by closing the appropriate paper if they were entered before recognizing their nature. Further, papers filed in the court from litigation or other proceedings involving the patent will not be entered into the patent file (and will be expunged if already entered) if they provide a party's arguments (e.g., a memorandum in support of summary judgment). If the argument has an entry right in the reexamination proceeding, it must be submitted via the proper procedural vehicle (provision(s) of the rules) that provides for their entry. It is not required nor is it permitted that parties submit copies of copending reexamination proceedings and applications (which copies can be mistaken for a new request/filing); rather, submitters may provide a notice identifying the application/proceeding number and its status. Any submission that is not permitted entry will be returned, expunged, or discarded, at the sole discretion of the Office.

It is noted that if the Office, in its sole discretion, deems the volume of the papers filed from litigation or other proceedings to be too lengthy, the Office may return, expunge, or discard, at its sole discretion, all or part of the submission. In such an instance, a party may limit the submission in accordance with what is deemed relevant, and resubmit the papers. Such submissions must be provided without additional comment. Persons making such submissions must *limit the submission to the notification* and not include further arguments or information. Highlighting of certain text by underlining, fluorescent marker, etc., goes beyond bare notice of the prior or concurrent proceedings. Any proper submission will be promptly placed on record (entered) in the patent file. Entry of these submissions is performed by the Files Repository personnel, unless a reexamination proceeding is pending, in which case, the Central Reexamination Unit, the Technology Center, or other area of the Office having responsibility for the reexamination enters the submission.

It is to be further noted that [35 U.S.C. 290](#) is directed to “courts of the United States.” Accordingly, any

submission of papers from a court outside the United States (a foreign jurisdiction) will be returned, expunged or discarded, at the sole discretion of the Office.

Where a request for reexamination has been filed, see [MPEP § 2282](#) for *ex parte* reexamination and [MPEP § 2686](#) for *inter partes* reexamination. See [MPEP § 2240](#) and [§ 2242](#) for handling of requests for *ex parte* reexamination of patents involved in litigation. See [MPEP § 2640](#) and [§ 2642](#) for handling of requests for *inter partes* reexamination of patents involved in litigation.

2208 Service of Prior Art or Section 301 Written Statements on Patent Owner [R-08.2017]

A copy of any submission of prior art patents, printed publications, and/or [section 301](#) written statements and additional information in a patent file by a person other than the patent owner must be served on the patent owner so that the patent owner is kept fully informed as to the content of the patent file wrapper/file history. See [MPEP § 2206](#) for handling of prior art citations and written statements under [35 U.S.C. 301](#).

The service to the patent owner should be addressed to the correspondence address as set forth in [37 CFR 1.33\(c\)](#). See [MPEP § 2222](#) as to the correspondence address.

A submission by a person other than the patent owner that fails to include proper proof of service as required by [37 CFR 1.248\(b\)](#) will not be entered into the patent file.

2209 Ex Parte Reexamination [R-07.2015]

Procedures for reexamination of issued patents began on July 1, 1981, the date when the reexamination provisions of Public Law 96-517 came into effect.

The reexamination statute, [35 U.S.C. 302](#), and rules permit any person to file a request for an *ex parte* reexamination containing certain elements and the fee required under [37 CFR 1.20\(c\)\(1\)](#). The Office initially determines if “a substantial new question

of patentability” ([35 U.S.C. 303\(a\)](#)) is presented. If such a new question has been presented, reexamination will be ordered. The reexamination proceedings which follow the order for reexamination are very similar to regular examination procedures in patent applications; however, there are notable differences. For example, there are certain limitations as to the kind of rejections which may be made in a reexamination ordered under [35 U.S.C. 304](#), special reexamination forms to be used, and time periods set to provide “special dispatch.” When the prosecution of a reexamination proceeding is terminated, a reexamination certificate is issued which indicates the status of all claims following the reexamination.

The following sections of this chapter explain the details of reexamination.

The intent of the reexamination procedures covered in this chapter include the following:

- (A) To provide procedures for reexamination of patents;
- (B) To implement reexamination in an essentially *ex parte* manner;
- (C) To minimize the processing costs and complexities of reexamination;
- (D) To maximize respect for the reexamined patent;
- (E) To provide procedures for prompt and timely determinations by the Office in accordance with the “special dispatch” requirements of [35 U.S.C. 305](#).

The basic characteristics of ex parte reexamination are as follows:

- (A) Anyone can request reexamination at any time during the period of enforceability of the patent;
- (B) In *ex parte* reexaminations ordered under [35 U.S.C. 304](#), prior art considered during reexamination is limited to prior art patents or printed publications applied under the appropriate parts of [35 U.S.C. 102](#) and [103](#). Patents may also be applied in a double patenting rejection as discussed in [MPEP § 2258](#) subsection I.D. (However, in *ex parte* reexaminations ordered under [35 U.S.C. 257](#), the prior art considered during reexamination is not limited. See [MPEP § 2801](#));

(C) A substantial new question of patentability must be present for reexamination to be ordered;

(D) If ordered, the actual reexamination proceeding is *ex parte* in nature;

(E) Decision on a request for reexamination submitted under [35 U.S.C. 302](#) must be made no later than 3 months from its filing, and the remainder of the proceeding must proceed with “special dispatch” within the Office. (Similarly, a decision on a request for supplemental examination submitted under [35 U.S.C. 257](#) must be made no later than 3 months from its filing (see [MPEP § 2815](#)), and any *ex parte* reexamination proceeding ordered as a result of a supplemental examination proceeding must proceed with “special dispatch” within the Office);

(F) If ordered, a reexamination proceeding will normally be conducted to its conclusion and the issuance of a reexamination certificate;

(G) The scope of a claim cannot be enlarged by amendment;

(H) All reexamination and patent files are open to the public, but see paragraph (I) below;

(I) The reexamination file is scanned into IFW to provide an electronic format copy of the file. All public access to and copying of the reexamination file may be made from the electronic format copy available through PAIR. Any remaining paper files are not available to the public. Images of non-patent literature (NPL) cited in public files are not available for either viewing or downloading through Public PAIR. Certified copies of the full contents of the files, including NPL, are available from the Office of Public Records, and may be ordered online at www.uspto.gov.

For a discussion of public access to papers filed in a supplemental examination proceeding, see [MPEP § 2803.02](#).

Parties are cautioned that the reexamination statute, regulations, and published examining procedures do not countenance so-called “litigation tactics” in reexamination proceedings. The parties are expected to conduct themselves accordingly. For example, it is expected that submissions of papers that are not provided for in the reexamination regulations and/or appear to be excluded by the regulation will either

be filed with an appropriate petition to accept the paper and/or waive the regulation(s), or not filed at all. Parties are advised that multiple submissions, such as a reply to a paper opposing a petition and a sur-reply directed to such a reply are not provided for in the reexamination regulations or examining procedures. It is expected that the parties will adhere to the provisions of [37 CFR 11.18\(b\)](#) throughout the course of a reexamination proceeding.

2210 Request for *Ex Parte* Reexamination under 35 U.S.C. 302 [R-08.2017]

35 U.S.C. 302 Request for reexamination.

Any person at any time may file a request for reexamination by the Office of any claim of a patent on the basis of any prior art cited under the provisions of [section 301](#). The request must be in writing and must be accompanied by payment of a reexamination fee established by the Director pursuant to the provisions of [section 41](#). The request must set forth the pertinency and manner of applying cited prior art to every claim for which reexamination is requested. Unless the requesting person is the owner of the patent, the Director promptly will send a copy of the request to the owner of record of the patent.

37 CFR 1.510 Request for *ex parte* reexamination.

(a) Any person may, at any time during the period of enforceability of a patent, file a request for an *ex parte* reexamination by the Office of any claim of the patent on the basis of prior art patents or printed publications cited under [§ 1.501](#), unless prohibited by [35 U.S.C. 315\(e\)\(1\)](#) or [35 U.S.C. 325\(e\)\(1\)](#). The request must be accompanied by the fee for requesting reexamination set in [§ 1.20\(c\)\(1\)](#).

(b) Any request for reexamination must include the following parts:

(1) A statement pointing out each substantial new question of patentability based on prior patents and printed publications.

(2) An identification of every claim for which reexamination is requested, and a detailed explanation of the pertinency and manner of applying the cited prior art to every claim for which reexamination is requested. For each statement of the patent owner and accompanying information submitted pursuant to [§ 1.501\(a\)\(2\)](#) which is relied upon in the detailed explanation, the request must explain how that statement is being used to determine the proper meaning of a patent claim in connection with the prior art applied to that claim and how each relevant claim is being interpreted. If appropriate, the party requesting reexamination may also point out how claims distinguish over cited prior art.

(3) A copy of every patent or printed publication relied upon or referred to in paragraph (b)(1) and (2) of this section accompanied by an English language translation of all the necessary and pertinent parts of any non-English language patent or printed publication.

(4) A copy of the entire patent including the front face, drawings, and specification/claims (in double column format) for which reexamination is requested, and a copy of any disclaimer, certificate of correction, or reexamination certificate issued in the patent. All copies must have each page plainly written on only one side of a sheet of paper.

(5) A certification that a copy of the request filed by a person other than the patent owner has been served in its entirety on the patent owner at the address as provided for in [§ 1.33\(c\)](#). The name and address of the party served must be indicated. If service was not possible, a duplicate copy must be supplied to the Office.

(6) A certification by the third party requester that the statutory estoppel provisions of [35 U.S.C. 315\(e\)\(1\)](#) or [35 U.S.C. 325\(e\)\(1\)](#) do not prohibit the requester from filing the *ex parte* reexamination request.

(c) If the request does not include the fee for requesting *ex parte* reexamination required by paragraph (a) of this section and meet all the requirements by paragraph (b) of this section, then the person identified as requesting reexamination will be so notified and will generally be given an opportunity to complete the request within a specified time. Failure to comply with the notice will result in the *ex parte* reexamination request not being granted a filing date, and will result in placement of the request in the patent file as a citation if it complies with the requirements of [§ 1.501](#).

(d) The filing date of the request for *ex parte* reexamination is the date on which the request satisfies all the requirements of this section.

(e) A request filed by the patent owner may include a proposed amendment in accordance with [§ 1.530](#).

(f) If a request is filed by an attorney or agent identifying another party on whose behalf the request is being filed, the attorney or agent must have a power of attorney from that party or be acting in a representative capacity pursuant to [§ 1.34](#).

Any person, at any time during the period of enforceability of a patent, may file a request for *ex parte* reexamination by the U.S. Patent and Trademark Office of any claim of the patent based on prior art patents or printed publications, unless prohibited by the estoppel provisions of [AIA 35 U.S.C. 315\(e\)\(1\)](#) or [35 U.S.C. 325\(e\)\(1\)](#). The estoppel provisions of [AIA 35 U.S.C. 315\(e\)\(1\)](#) or [35 U.S.C. 325\(e\)\(1\)](#) are based on *inter partes* review and post grant review, respectively, and they only prohibit the filing of a subsequent request for *ex parte* reexamination, once estoppel attaches; there is no estoppel as to the Office maintaining an existing *ex parte* reexamination proceeding. The request must include the elements set forth in [37 CFR 1.510\(b\)](#) (see [MPEP § 2214](#)) and must be accompanied by the fee as set forth in [37 CFR 1.20\(c\)\(1\)](#). If a request filed by the patent owner includes a proposed amendment in accordance with

[37 CFR 1.530](#), excess claims fees under [37 CFR 1.20\(c\)\(3\)](#) and [\(c\)\(4\)](#) may also apply; see [MPEP § 2250.03](#). No attempt will be made to maintain a requester's name in confidence.

A request for reexamination under [37 CFR 1.510](#) may be submitted to the Office via mail, hand-delivery, or via the Office's Electronic Filing System (EFS, currently EFS-Web). See [MPEP § 2224](#) for more information on submission via mail and hand-delivery. For submission via EFS, both registered and unregistered eFilers may submit a request for reexamination. A request for reexamination submitted via EFS must be submitted by selecting the option for a "new" reexamination proceeding in the EFS interface and not submitted as a follow-on paper into the patent. The Office may refer third-party inquiries, or submissions not provided for that are improperly submitted via EFS, by registered practitioners in applications and any other Office proceedings to the Office of Enrollment and Discipline for appropriate action.

After the request for reexamination, including the entire fee for requesting reexamination, is received in the Office, no abandonment, withdrawal, or striking of the request is possible, regardless of who requests the same. In some limited circumstances, such as after a final court decision where all of the claims are finally held invalid, a reexamination order may be vacated if the decision was rendered prior to the order, and the reexamination may be terminated if the decision was rendered subsequent to the order, see [MPEP § 2286](#).

2211 Time for Requesting *Ex Parte* Reexamination under 35 U.S.C. 302 [R-07.2015]

Under [37 CFR 1.510\(a\)](#), any person may, at any time during the period of enforceability of a patent, file a request for *ex parte* reexamination. This period was set by rule, since the Office considered that Congress could not have intended expending Office resources on deciding patent validity questions in patents which cannot be enforced. See *Patlex Corp. v. Mossinghoff*, 758 F.2d 594, 225 USPQ 243, 249 (Fed. Cir. 1985). The period of enforceability is generally determined by adding 6 years to the date on which the patent expires but the period may be

extended if there is pending litigation. Specifically, if litigation is instituted within the period of the statute of limitations, requests for reexamination may be filed after the statute of limitations has expired, as long as the patent is still enforceable.

The patent expiration date for a utility patent, for example, is determined by taking into account the term of the patent, whether maintenance fees have been paid for the patent, whether any disclaimer was filed as to the patent to shorten its term, any patent term extensions or adjustments for delays within the Office under [35 U.S.C. 154](#) (see [MPEP § 2710](#), *et seq.*), and any patent term extensions available under [35 U.S.C. 156](#) for premarket regulatory review (see [MPEP § 2750](#) *et. seq.*). Any other relevant information should also be taken into account.

2212 Persons Who May File a Request for *Ex Parte* Reexamination under 35 U.S.C. 302 [R-07.2015]

37 CFR 1.510 Request for ex parte reexamination.

(a) Any person may, at any time during the period of enforceability of a patent, file a request for an *ex parte* reexamination by the Office of any claim of the patent on the basis of prior art patents or printed publications cited under [§ 1.501](#), unless prohibited by [35 U.S.C. 315\(e\)\(1\)](#) or [35 U.S.C. 325\(e\)\(1\)](#). The request must be accompanied by the fee for requesting reexamination set in [§ 1.20\(c\)\(1\)](#).

[35 U.S.C. 302](#) and [37 CFR 1.510\(a\)](#) both indicate that "any person" may file a request for *ex parte* reexamination of a patent, unless prohibited by [AIA 35 U.S.C. 315\(e\)\(1\)](#) or [35 U.S.C. 325\(e\)\(1\)](#). Accordingly, there are no types of "persons" who are excluded from being able to seek reexamination under [35 U.S.C. 302](#). Corporations and/or governmental entities are included within the scope of the term "any person." The only "person" who is barred from filing a request for *ex parte* reexamination of a patent under [35 U.S.C. 302](#) is one who is barred from doing so by the estoppel provisions of [AIA 35 U.S.C. 315\(e\)\(1\)](#) or [35 U.S.C. 325\(e\)\(1\)](#) based on *inter partes* review and post grant review, respectively, once the estoppel attaches. The patent owner can ask for reexamination which will be limited to an *ex parte* consideration of prior art patents or printed publications. If the patent owner wishes to have a wider consideration

of issues by the Office, including matters such as prior public use or on sale, the patent owner may file a reissue application (see, e.g., [MPEP § 1401 - § 1403](#)), or, where appropriate, a supplemental examination proceeding (see, e.g., [MPEP § 2801 - § 2803](#)). It is also possible for the Director of the Office to initiate reexamination on the Director's own initiative under [37 CFR 1.520](#). Some of the persons likely to use reexamination under [35 U.S.C. 302](#) are patentees, licensees, potential licensees, attorneys without identification of their real client in interest, infringers, potential exporters, patent litigants, interference applicants, and International Trade Commission respondents. The name of the person who files the request will not be maintained in confidence.

2212.01 Inquiries from Persons Other Than the Patent Owner [R-11.2013]

Examiners should not discuss or answer inquiries from third parties (i.e., parties who are not the patent owner) in reexamination proceedings. A party who is not the patent owner should be referred by the examiner to the Technology Center (TC) Quality Assurance Specialist (QAS) or Central Reexamination Unit (CRU) Supervisory Patent Reexamination Specialist (SPRS) for the examiner's art unit. The CRU SPRS or TC QAS will address any such questions. Only questions on strictly procedural matters, i.e., not directed to any specific reexamination proceeding, may be discussed by the CRU SPRS or TC QAS with that party.

Employees of the Office, particularly patent examiners who conducted a concluded reexamination proceeding, should not discuss or answer inquiries from any person outside the Office as to whether a certain reference or other particular evidence was considered during the proceeding and whether a claim would have been allowed over that reference or other evidence had it been considered during the proceeding.

Patent practitioners must not make improper inquiries of members of the patent examining corps and the Office as a whole. See [37 CFR 11.804](#). Inquiries from members of the public relating to the matters discussed above must, of necessity, be refused and such refusal should not be considered

discourteous or an expression of opinion by the Office as to the validity, patentability, or enforceability of the patent.

The definitions set forth in [37 CFR 104.1](#) and the exceptions in [37 CFR 104.21](#) are applicable to this section.

2213 Representative of Requester [R-07.2015]

37 CFR 1.510 Request for ex parte reexamination.

(f) If a request is filed by an attorney or agent identifying another party on whose behalf the request is being filed, the attorney or agent must have a power of attorney from that party or be acting in a representative capacity pursuant to [§ 1.34](#).

Where an attorney or agent files a request for an identified client (the requester), he or she may act under either a power of attorney from the client, or act in a representative capacity under [37 CFR 1.34](#), see [37 CFR 1.510\(f\)](#). While the filing of the power of attorney is desirable, processing of the reexamination request will not be delayed due to its absence.

In order to act in a representative capacity under [37 CFR 1.34](#), an attorney or agent must set forth his or her registration number, his or her name, and his or her signature. In order to act under a power of attorney from a requester, an attorney or agent must be provided with a power of attorney. [37 CFR 1.32\(c\)](#) provides that a "power of attorney may only name as representative" the inventors or registered patent practitioners. Thus, an attorney or agent representing a requester must be a registered patent practitioner.

If any question of authority to act is raised, proof of authority may be required by the Office.

All correspondence for a requester that is not the patent owner is addressed to the representative of the requester, unless a specific indication is made to forward correspondence to another address.

If the request is filed by a person on behalf of the patent owner, correspondence will be directed to the patent owner at the address as indicated in [37 CFR 1.33\(c\)](#), regardless of the address of the person filing

the request. See [MPEP § 2222](#) for a discussion of who receives correspondence on behalf of a patent owner and how changes in the correspondence address are to be made.

A patent owner may not be represented during a reexamination proceeding by any person who is not registered to practice before the Office, since those individuals are prohibited by [37 CFR 1.33\(c\)](#) from signing amendments and other papers filed in a reexamination proceeding on behalf of the patent owner.

2214 Content of Request for *Ex Parte* Reexamination Filed under 35 U.S.C. 302 [R-08.2017]

37 CFR 1.510 Request for ex parte reexamination.

(a) Any person may, at any time during the period of enforceability of a patent, file a request for an *ex parte* reexamination by the Office of any claim of the patent on the basis of prior art patents or printed publications cited under [§ 1.501](#), unless prohibited by [35 U.S.C. 315\(e\)\(1\)](#) or [35 U.S.C. 325\(e\)\(1\)](#). The request must be accompanied by the fee for requesting reexamination set in [§ 1.20\(c\)\(1\)](#).

(b) Any request for reexamination must include the following parts:

(1) A statement pointing out each substantial new question of patentability based on prior patents and printed publications.

(2) An identification of every claim for which reexamination is requested, and a detailed explanation of the pertinency and manner of applying the cited prior art to every claim for which reexamination is requested. For each statement of the patent owner and accompanying information submitted pursuant to [§ 1.501\(a\)\(2\)](#) which is relied upon in the detailed explanation, the request must explain how that statement is being used to determine the proper meaning of a patent claim in connection with the prior art applied to that claim and how each relevant claim is being interpreted. If appropriate, the party requesting reexamination may also point out how claims distinguish over cited prior art.

(3) A copy of every patent or printed publication relied upon or referred to in paragraph (b)(1) and (2) of this section accompanied by an English language translation of all the necessary and pertinent parts of any non-English language patent or printed publication.

(4) A copy of the entire patent including the front face, drawings, and specification/claims (in double column format) for which reexamination is requested, and a copy of any disclaimer, certificate of correction, or reexamination certificate issued in the patent. All copies must have each page plainly written on only one side of a sheet of paper.

(5) A certification that a copy of the request filed by a person other than the patent owner has been served in its entirety

on the patent owner at the address as provided for in [§ 1.33\(c\)](#). The name and address of the party served must be indicated. If service was not possible, a duplicate copy must be supplied to the Office.

(6) A certification by the third party requester that the statutory estoppel provisions of [35 U.S.C. 315\(e\)\(1\)](#) or [35 U.S.C. 325\(e\)\(1\)](#) do not prohibit the requester from filing the *ex parte* reexamination request.

[37 CFR 1.510\(a\)](#) requires the payment of the fee specified in [37 CFR 1.20\(c\)\(1\)](#) for a request for reexamination filed under [35 U.S.C. 302](#). See [MPEP § 2215](#). If a request filed under [35 U.S.C. 302](#) by the patent owner includes a proposed amendment in accordance with [37 CFR 1.530](#), excess claims fees under [37 CFR 1.20\(c\)\(3\)](#) and (c)(4) may also apply; see [MPEP § 2250.03](#).

[37 CFR 1.510\(b\)](#) sets forth the required elements of a request for *ex parte* reexamination. The elements are as follows:

“(1) a statement pointing out each substantial new question of patentability based on prior patents and printed publications.”

This statement should clearly point out what the requester considers to be the substantial new question of patentability which would warrant a reexamination. The cited prior art should be listed on a form PTO/SB/08A or 08B, or PTO/SB/42 (or on a form having a format equivalent to one of these forms) by the requester. See also [MPEP § 2217](#).

A request for reexamination must assert a substantial new question of patentability. For each identified substantial new question of patentability and each identified proposed ground of rejection, the request must explain how the cited documents identified for that substantial new question of patentability/proposed ground of rejection raise a substantial new question of patentability. See [MPEP § 2216](#). A requester must not, in a request for reexamination, argue that the submitted references do not raise a substantial new question of patentability, and that no order for reexamination should be issued.

“(2) An identification of every claim for which reexamination is requested, and a detailed explanation of the pertinency and manner of applying the cited prior art to every claim for which reexamination is requested. For each statement of the patent owner and accompanying information submitted pursuant to [§ 1.501\(a\)\(2\)](#) which is relied upon in the detailed explanation, the request must explain how that statement is being used to determine the proper meaning of a patent claim in connection with the prior art applied to that claim and how each relevant claim is being interpreted. If appropriate, the party requesting reexamination may also point out how claims distinguish over cited prior art.”

The request must identify **each** substantial new question of patentability raised and proposed ground of rejection separately. The request must apply all of the cited prior art to the claims for which reexamination is requested. For each identified substantial new question of patentability and each identified proposed ground of rejection, the request must explain how the cited documents identified for that substantial new question of patentability/proposed ground of rejection are applied to meet or teach the patent claim limitations to thus establish the identified substantial new question of patentability or proposed ground of rejection. See [MPEP § 2217](#). If the request is filed by the patent owner, the patent owner may also indicate how the claims distinguish from the cited prior art patents and printed publications. If any statement of the patent owner submitted pursuant to [37 CFR 1.501\(a\)\(2\)](#) is relied upon in the detailed explanation, requester must explain how that statement is being used to determine the proper meaning of a patent claim in connection with prior art applied to that claim. [37 CFR 1.510\(b\)\(2\)](#) requires that the “detailed explanation” of applying prior art provided in the request for *ex parte* reexamination must explain how each patent owner claim scope statement is being used to determine the proper meaning of each patent claim in connection with the prior art applied to that claim. The explanation will be considered by the Office during the examination stage, if reexamination is ordered. At the order stage, the Office will not consider any patent owner claim

scope statement discussed in the detailed explanation of the request. See [35 U.S.C. 301\(d\)](#).

“(3) A copy of every patent or printed publication relied upon or referred to in paragraph (b)(1) and (2) of this section accompanied by an English language translation of all the necessary and pertinent parts of any non-English language patent or printed publication.”

A copy of each cited patent or printed publication, as well as a translation of each non-English document (or a translation of at least the portion(s) relied upon) is required so that all materials will be available to the examiner for full consideration. A listing of the patents and printed publications as provided for in [37 CFR 1.98](#) must also be provided. A comprehensive listing is required, since the identification of the cited art in reexamination by the requester is no less important than that of a patent owner or applicant, and furthers the statutory mandate of [35 U.S.C. 305](#) that reexamination proceedings must be “conducted with special dispatch within the Office.” The requirement for the submission of a copy of every patent or printed publication relied upon or referred to in the request, pursuant to [37 CFR 1.510\(b\)\(3\)](#), is waived to the extent that copies of U.S. patents and U.S. patent application publications which are relied upon or referred to in the request are not required to be submitted with the request, unless specifically required by the Office. See [MPEP § 2218](#).

“(4) A copy of the entire patent including the front face, drawings, and specification/claims (in double column format) for which reexamination is requested, and a copy of any disclaimer, certificate of correction, or reexamination certificate issued in the patent. All copies must have each page plainly written on only one side of a sheet of paper.”

A copy of the patent, for which reexamination is requested, should be provided with the specification and claims submitted in a **double** column format. The drawing pages of the printed patent are presented as they appear in the printed patent; the same is true for the front page of the patent. Thus,

a full copy of the printed patent (including the front page) can be used to provide the abstract, drawings, specification, and claims of the patent for the reexamination request. The printed patent is to be reproduced on only one side of the paper; a two sided copy of the patent is not proper. See [MPEP § 2219](#).

Any disclaimer, certificate of correction, or reexamination certificate issued in the patent becomes a part of the patent. Thus, a copy of each must be supplied in order to provide the complete patent. The copy must have each page plainly written on only one side of a sheet of paper.

“(5) A certification that a copy of the request filed by a person other than the patent owner has been served in its entirety on the patent owner at the address as provided for in [§ 1.33\(c\)](#). The name and address of the party served must be indicated. If service was not possible, a duplicate copy must be supplied to the Office.”

If the request is filed under [35 U.S.C. 302](#) by a person other than the patent owner, a certification that a copy of the request papers has been served on the patent owner must be included. The certification must set forth the name and address employed in serving the patent owner. If service was not possible after a reasonable effort to do so, a duplicate copy of the request must be supplied to the Office together with a **cover letter** including an explanation of what effort was made to effect service, and why that effort was not successful. To avoid the possibility of the Office erroneously charging a duplicate filing fee, requesters are strongly encouraged to clearly word the cover letter by stating, for example, in bold print in the heading “**Duplicate Copy of Request Filed under 37 CFR 1.510(b)(5) When Service on the Patent Owner Was Not Possible.**” The request should be as complete as possible, since there is no guarantee that the examiner will consider other prior art when making the decision on the request. Also, this may be the third party requester’s only opportunity to participate in the proceeding since, if no statement under [37 CFR 1.530\(b\)](#) is filed by the patent owner, no later reply under [37 CFR 1.535](#) or other submission may be filed by the requester in the *ex parte* reexamination proceeding. See also [MPEP § 2220](#).

“(6) A certification by the third party requester that the statutory estoppel provisions of [35 U.S.C. 315\(e\)\(1\)](#) or [35 U.S.C. 325\(e\)\(1\)](#) do not prohibit the requester from filing the *ex parte* reexamination request.”

[37 CFR 1.510\(b\)\(6\)](#) requires that the request contain a certification by the third party requester that the statutory estoppel provisions of *inter partes* review and post grant review do not bar the third party from requesting *ex parte* reexamination under [35 U.S.C. 302](#). The basis for this requirement is the estoppel provisions of *inter partes* review and post grant review provided in [AIA 35 U.S.C. 315\(e\)\(1\)](#) and [35 U.S.C. 325\(e\)\(1\)](#), respectively, which identify when a petitioner for *inter partes* review or post grant review, or a real party in interest or privy of the petitioner, may not file a request for *ex parte* reexamination.

The rules do not require *ex parte* reexamination requesters to identify themselves upon the filing of the request under [35 U.S.C. 302](#). The certification requirement of [37 CFR 1.510\(b\)\(6\)](#), coupled with a party’s [37 CFR 11.18](#) certification obligations when transacting business before the Office, are considered sufficient to ensure compliance with the *inter partes* review and post grant statutory estoppel requirements. A real party in interest that wishes to remain anonymous when filing a request for reexamination under [37 CFR 1.510](#) can do so by utilizing the services of a registered practitioner. In such an instance, the registered practitioner submitting a request for reexamination on behalf of the real party in interest would be certifying that the real party in interest was not estopped from filing the request. Conversely, an individual filing a request for reexamination under [37 CFR 1.510](#) on behalf of the individual cannot remain anonymous, as the individual is required to sign the document that includes the [37 CFR 1.510\(b\)\(6\)](#) certification.

In order to obtain a reexamination filing date, the request papers must include the fee for requesting *ex parte* reexamination required by [37 CFR 1.510\(a\)](#) and all of the parts required by [37 CFR 1.510\(b\)](#). Request papers that fail to satisfy all the requirements of [37 CFR 1.510\(a\)](#) and [\(b\)](#) are incomplete and will not be granted a filing date. See [MPEP § 2227](#).

An application data sheet (ADS) under [37 CFR 1.76](#) cannot be submitted in a reexamination proceeding except as provided in [MPEP § 2258.02](#).

Form PTO/SB/57 should be helpful to persons filing requests for reexamination under [37 CFR 1.510](#). The

use of this form as the transmittal form and cover sheet of a request for reexamination is encouraged, but its use is not a requirement of the law nor the rules. Immediately following is a form PTO/SB/57 and a sample of a request for reexamination that would be attached to the form PTO/SB/57 cover sheet.

PTO/SB/57 (09-14)

Approved for use through 09/30/2018. OMB 0651-0064

U.S. Patent and Trademark Office, U.S. DEPARTMENT OF COMMERCE

Under the Paperwork Reduction Act of 1995, no persons are required to respond to a collection of information unless it displays a valid OMB control number.

(Also referred to as FORM PTO-1465)

REQUEST FOR EX PARTE REEXAMINATION TRANSMITTAL FORM

Address to:
Mail Stop Ex Parte Reexam
Commissioner for Patents
P.O. Box 1450
Alexandria, VA 22313-1450

Attorney Docket No.: _____

Date: _____

1. This is a request for *ex parte* reexamination pursuant to 37 CFR 1.510 of patent number _____ issued _____. The request is made by:
 patent owner. third party requester.

2. The name and address of the person requesting reexamination is:

3. Requester asserts small entity status (37 CFR 1.27) or certifies micro entity status (37 CFR 1.29). Only a patent owner requester can certify micro entity status. Form PTO/SB/15A or B must be attached to certify micro entity status.

4. a. A check in the amount of \$ _____ is enclosed to cover the reexamination fee, 37 CFR 1.20(c)(1);
 b. The Director is hereby authorized to charge the fee as set forth in 37 CFR 1.20(c)(1) to Deposit Account No. _____;
 c. Payment by credit card. Form PTO-2038 is attached; **or**
 d. Payment made via EFS-Web.

5. Any refund should be made by check or credit to Deposit Account No. _____. 37 CFR 1.26(c). If payment is made by credit card, refund must be to credit card account.

6. A copy of the patent to be reexamined having a double column format on one side of a separate paper is enclosed. 37 CFR 1.510(b)(4).

7. CD-ROM or CD-R in duplicate, Computer Program (Appendix) or large table
 Landscape Table on CD

8. Nucleotide and/or Amino Acid Sequence Submission
If applicable, items a. – c. are required.
 a. Computer Readable Form (CRF)
 b. Specification Sequence Listing on:
 i. CD-ROM (2 copies) or CD-R (2 copies); **or**
 ii. paper
 c. Statements verifying identity of above copies

9. A copy of any disclaimer, certificate of correction or reexamination certificate issued in the patent is included.

10. Reexamination of claim(s) _____ is requested.

11. A copy of every patent or printed publication relied upon is submitted herewith including a listing thereof on Form PTO/SB/08, PTO-1449, or equivalent.

12. An English language translation of all necessary and pertinent non-English language patents and/or printed publications is included.

[Page 1 of 2]

This collection of information is required by 37 CFR 1.510. The information is required to obtain or retain a benefit by the public which is to file (and by the USPTO to process) a request for reexamination. Confidentiality is governed by 35 U.S.C. 122 and 37 CFR 1.11 and 1.14. This collection is estimated to take 18 minutes to complete, including gathering, preparing, and submitting the completed application form to the USPTO. Time will vary depending upon the individual case. Any comments on the amount of time you require to complete this form and/or suggestions for reducing this burden, should be sent to the Chief Information Officer, U.S. Patent and Trademark Office, U.S. Department of Commerce, P.O. Box 1450, Alexandria, VA 22313-1450. **DO NOT SEND FEES OR COMPLETED FORMS TO THIS ADDRESS. SEND TO: Mail Stop Ex Parte Reexam, Commissioner for Patents, P.O. Box 1450, Alexandria, VA 22313-1450.**
If you need assistance in completing the form, call 1-800-PTO-9199 and select option 2.

PTO/SB/57 (09-14)

Approved for use through 09/30/2018. OMB 0651-0064

U.S. Patent and Trademark Office, U.S. DEPARTMENT OF COMMERCE

Under the Paperwork Reduction Act of 1995, no persons are required to respond to a collection of information unless it displays a valid OMB control number.

13. The attached detailed request includes at least the following items:

a. A statement identifying each substantial new question of patentability based on prior patents and printed publications. 37 CFR 1.510(b)(1).

b. An identification of every claim for which reexamination is requested, and a detailed explanation of the pertinency and manner of applying the cited art to every claim for which reexamination is requested. 37 CFR 1.510(b)(2).

14. A proposed amendment is included (only where the patent owner is the requester). 37 CFR 1.510(e).

15. It is certified that the statutory estoppel provisions of 35 U.S.C. 315(e)(1) or 35 U.S.C. 325(e)(1) do not prohibit requester from filing this *ex parte* reexamination request. 37 CFR 1.510(b)(6).

16. a. It is certified that a copy of this request (if filed by other than the patent owner) has been served in its entirety on the patent owner as provided in 37 CFR 1.33(c).
The name and address of the party served and the date of service are:

Date of Service: _____; or

b. A duplicate copy is enclosed since service on patent owner was not possible. An explanation of the efforts made to serve patent owner is **attached**. See MPEP 2220.

17. Correspondence Address: Direct all communication about the reexamination to:

The address associated with Customer Number:

OR

Firm or Individual Name _____

Address _____

City	State	Zip
Country		
Telephone	Email	

18. The patent is currently the subject of the following concurrent proceeding(s):

a. Copending reissue Application No. _____

b. Copending reexamination Control No. _____

c. Copending Interference No. _____

d. Copending litigation styled: _____

WARNING: Information on this form may become public. Credit card information should not be included on this form. Provide credit card information and authorization on PTO-2038.

_____ Authorized Signature _____ Date _____

_____ Typed/Printed Name _____ Registration No. For Patent Owner Requester

For Third Party Requester

Attachment to Form PTO/SB/57

REQUEST FOR REEXAMINATION OF U.S. PATENT 9,999,999Identification of Claims for Which Reexamination Is Requested

In accordance with 37 CFR 1.510, reexamination of claims 1-5 of U.S. Patent 9,999,999 is requested, in view of the following references:

Smith, U.S. Patent 8,999,999

Jones, U.S. Patent 8,555,555

Cooper, U.S. Patent 8,333,333

Reexamination of claim 1 is requested in view of the Smith patent. Reexamination of claim 2 is requested in view of the combination of Smith in view of Jones. Reexamination of claims 3-5 is requested in view of the combination of Smith in view of Jones, and further in view of Cooper. U.S. Patent 9,999,999 is still enforceable.

Statement Pointing Out Each Substantial New Question of Patentability

The Smith and Jones references were not of record in the file of U.S. Patent 9,999,999. Smith discloses a filter comprising a housing containing activated carbon, where the housing has an outer wall, a closed end, an open end, and a lid attachable to the open end as recited in claim 1 (see col. 6, lines 2-3; Figure 3; col. 12, lines 1-3). Jones teaches the activated carbon and ion exchange resin mixture of claim 2 in lines 4-5 column 9. Because these teachings of Smith and Jones provide subject matter of the U.S. Patent 9,999,999 claims that was not taught in any prior art cited during the prosecution of U.S. Patent 9,999,999, the teachings of Smith and Jones each raise a substantial new question of patentability. The Cooper reference was cited in the prosecution of U.S. Patent 9,999,999, but was never relied upon in any rejection of the claims. Cooper discloses the iodinated exchange resin of claims 3-5 in lines 8-10 of column 5. Because this teaching of Cooper was not applied in any rejection of the claims during the prosecution of U.S. Patent 9,999,999, a substantial new question of patentability is raised by Cooper.

Detailed Explanation Under 37 CFR 1.510(b)

1. Claim 1 of U.S. Patent 9,999,999 is unpatentable under 35 U.S.C. 102(b) as being anticipated by Smith, as shown by the following claim chart:

U.S. Patent 9,999,999

Claim 1. A filter comprising a housing, the housing having an outer wall, a closed end, an open end, and a lid attachable to the open end. . .

. . . wherein the housing contains a filter material, the filter material comprising activated carbon. . . .

Smith

Smith teaches “the filter housing having an outer wall 1, a closed end 2, an open end 3, and a hinged lid 4 that is securable to the open end 3 via clamp 5.” (col. 6, lines 2-3; Figure 3). The hinged lid 4 of Smith is attachable to the outer rim of the open end 3 via clamp 5.

Smith teaches activated carbon as a filter material: “the filter housing containing filter materials, wherein the filter materials include any mixture of known filter materials such as clay, activated carbon, and any other known filter materials.” (col. 12, lines 1-3).

2. Claim 2 of U.S. Patent 9,999,999 is unpatentable under 35 U.S.C. 103 as being obvious over Smith in view of Jones, as shown by the following claim chart:

U.S. Patent 9,999,999

Claim 2. The filter of claim 1, wherein the filter material further comprises a mixture of activated carbon and ion exchange resin.

Jones

Jones teaches “preferably, the filter material mixture includes activated carbon and ion exchange resin.” (col. 9, lines 4-5). Smith teaches that the filter materials include “any mixture of known filter materials”, including activated carbon (col. 12, lines 1-3). It would have been obvious to utilize the activated carbon and ion exchange mixture of Jones in the housing of Smith since the mixture of Jones is a “mixture of known filter materials” as taught by Smith.

3. Claims 3-5 of U.S. Patent 9,999,999 are unpatentable under 35 U.S.C. 103 as being obvious over Smith in view of Jones, and further in view of Cooper, as shown by the following claim chart:

U.S. Patent 9,999,999

Claim 3. The filter of claim 2, wherein the ion exchange resin is iodinated exchange resin.

Cooper

Cooper teaches “the use of iodinated exchange resin in filter material mixtures for its sterilization properties is preferred.” (col. 5, lines 8-10). The substitution of the iodinated exchange resin of Cooper for the ion exchange resin of the Smith/Jones combination would have been obvious to provide sterilization properties as taught by Cooper.

U.S. Patent 9,999,999

Claim 4. The filter of claim 3, wherein the housing is made of metal.

Smith

Smith teaches a metal housing (col. 7, line 8) and a red-colored housing (col. 11, line 3).

Claim 5. The filter of claim 3, wherein the housing is red.

Conclusion

For the reasons given above, reexamination of claims 1-5 of U.S. Patent 9,999,999 is requested.

Signed,
/John Doe/
John Doe, Reg. No. 29760
Attorney for Requester

2215 Fee for Requesting *Ex Parte* Reexamination under 35 U.S.C. 302 [R-07.2015]

37 CFR 1.510 Request for *ex parte* reexamination.

(c) If the request does not include the fee for requesting *ex parte* reexamination required by paragraph (a) of this section and meet all the requirements by paragraph (b) of this section, then the person identified as requesting reexamination will be so notified and will generally be given an opportunity to complete the request within a specified time. Failure to comply with the notice will result in the *ex parte* reexamination request not being granted a filing date, and will result in placement of the request in the patent file as a citation if it complies with the requirements of [§ 1.501](#).

(d) The filing date of the request for *ex parte* reexamination is the date on which the request satisfies all the requirements of this section.

In order for a request filed under [35 U.S.C. 302](#) to be accepted, be given a filing date, and be published in the *Official Gazette*, the request papers must satisfy all the requirements of [37 CFR 1.510\(a\)](#) and [\(b\)](#). The entire fee required under [37 CFR 1.20\(c\)\(1\)](#) for filing a request for reexamination must be paid. If the request was filed under [35 U.S.C. 302](#) by the patent owner and includes a proposed amendment in accordance with [37 CFR 1.530](#), excess claims fees under [37 CFR 1.20\(c\)\(3\)](#) and [\(c\)\(4\)](#) may also apply; see [MPEP § 2250.03](#).

Pursuant to [37 CFR 1.20\(c\)\(1\)](#), there are different filing fees for a large entity, a small entity and a micro entity, when filing a request for *ex parte* reexamination under [35 U.S.C. 302](#). In order for a requester to pay small entity or micro entity fees, a requester must affirmatively state that it is eligible for small entity or micro entity status (respectively). For example, a requester can affirmatively assert small entity status by checking the appropriate box in line 3 on the transmittal form (PTO/SB/57). However, only a patent owner requester can establish micro entity status. A third party requester cannot establish micro entity status, since a third party requester is not provided for in [37 CFR 1.29](#). See [37 CFR 1.27](#) and [MPEP §§ 509.02](#) and [509.03](#) for more information about establishing small entity status. See [37 CFR 1.29](#) and [MPEP § 509.04](#) *et seq.* for more information about establishing micro entity status.

If the request for *ex parte* reexamination under [35 U.S.C. 302](#) is subsequently denied (see [MPEP § 2247](#) and [§ 2248](#)), or vacated (see [MPEP § 2227](#) and [§ 2246](#), subsection I), a refund in accordance with [37 CFR 1.26\(c\)](#) will be made to the identified requester. If the request for *ex parte* reexamination under [35 U.S.C. 302](#) is found to be incomplete and the defect is not cured (see [MPEP § 2227](#)), a refund in accordance with [37 CFR 1.26\(a\)](#) will be made to the identified requester.

If the entire fee for *ex parte* reexamination is not paid or all the requirements of [37 CFR 1.510\(a\)](#) and [\(b\)](#) are not satisfied, the request will be considered to be incomplete. See [37 CFR 1.510\(c\)](#) and [\(d\)](#) and [MPEP § 2227](#).

Where the entire filing fee is not paid after the requester has been given an opportunity to do so, no determination on the request will be made. The request papers will ordinarily be placed in the patent file as a submission under [37 CFR 1.501](#), if they comply with the requirements of the rule. See [MPEP § 2206](#) for handling of prior art citations or written statements under [37 CFR 1.501](#).

2216 Substantial New Question of Patentability [R-07.2015]

Under [35 U.S.C. 304](#), the Office must determine whether “a substantial new question of patentability” affecting any claim of the patent has been raised. [37 CFR 1.510\(b\)\(1\)](#) requires that a request for *ex parte* reexamination include “a statement pointing out each substantial new question of patentability based on prior patents and printed publications.” If such a new question is found, an order for *ex parte* reexamination of the patent is issued. It is therefore important that the request clearly set forth in detail what the requester considers the “substantial new question of patentability” to be in view of patents and printed publications cited under the provisions of [35 U.S.C. 302](#). The request must point out how any questions of patentability raised are substantially different from those raised in the previous examination of the patent before the Office.

For requests filed under [35 U.S.C. 302](#), it is not sufficient that a request for reexamination merely proposes one or more rejections of a patent claim or

claims as a basis for reexamination. It must first be demonstrated that a patent or printed publication that is relied upon in a proposed rejection presents a new, non-cumulative technological teaching that was not previously considered and discussed on the record during the prosecution of the application that resulted in the patent for which reexamination is requested, and during the prosecution of any other prior proceeding involving the patent for which reexamination is requested. See also [MPEP § 2242](#).

The legal standard for ordering *ex parte* reexamination, as set forth in [35 U.S.C. 303\(a\)](#), requires a substantial new question of patentability. The substantial new question of patentability may be based on art previously considered by the Office if the reference is presented in a new light or a different way that escaped review during earlier examination. The clarification of the legal standard for determining obviousness under [35 U.S.C. 103](#) in *KSR International Co. v. Teleflex Inc.* (KSR), 550 U.S. 398, 82 USPQ2d 1385 (2007) does not alter the legal standard for determining whether a substantial new question of patentability exists. The requirement for a substantial new question of patentability remains in place even if it is clear from the record of a patent for which reexamination is requested that the patent was granted because the Office did not show “motivation” to combine, or otherwise satisfy the teaching, suggestion, or motivation (TSM) test. Thus, a reexamination request relying on previously applied prior art that asks the Office to look at the art again based solely on the Supreme Court’s clarification of the legal standard for determining obviousness under [35 U.S.C. 103](#) in *KSR*, without presenting the art in new light or different way, will not raise a substantial new question of patentability as to the patent claims, and reexamination will not be ordered.

After the enactment of the Patent and Trademark Office Authorization Act of 2002 (“the 2002 Act”), a substantial new question of patentability can be raised by patents and printed publications “previously cited by or to the Office or considered by the Office” (“old art”). The 2002 Act did not negate the statutory requirement for a substantial new question of patentability that requires raising new questions about pre-existing technology. In the implementation of the 2002 Act, [MPEP § 2242](#),

subsection II.A. was revised. The revision permits raising a substantial new question of patentability based solely on old art, but only if the old art is “presented/viewed in a new light, or in a different way, as compared with its use in the earlier examination(s), in view of a material new argument or interpretation presented in the request.” Thus, a request may properly raise a substantial new question of patentability by raising a material new analysis of previously considered reference(s) under the rationales authorized by *KSR*.

Questions relating to grounds of rejection other than those based on prior art patents or printed publications should **not** be included in a request filed under [35 U.S.C. 302](#) and will not be considered by the examiner if included. Examples of such questions that will not be considered are public use, on sale, and conduct by parties.

Affidavits or declarations or other written evidence which explain the contents or pertinent dates of prior art patents or printed publications in more detail may be considered in reexamination. See [MPEP § 2258](#).

2217 Statement Applying Prior Art in a Request Filed under 35 U.S.C. 302 [R-07.2015]

The third sentence of [35 U.S.C. 302](#) indicates that the “request must set forth the pertinency and manner of applying cited prior art to every claim for which reexamination is requested.” [37 CFR 1.510\(b\)\(2\)](#) requires that the request include “[a]n identification of every claim for which reexamination is requested, and a detailed explanation of the pertinency and manner of applying the cited prior art to every claim for which reexamination is requested.” If the request is filed by the patent owner, the request for reexamination may also point out how claims distinguish over cited prior art.

The prior art applied may only consist of prior art patents or printed publications. The prior art regime under which the application for the patent was examined (the first-inventor-to-file prior art regime, or the first-to-invent prior art regime) will generally be applied in reexamination of the patent, and any statement in the request applying the prior art must reflect that.

With respect to the first-inventor-to-file prior art regime, substantial new questions of patentability may be based upon the provisions of [35 U.S.C. 102](#) as it is in effect on and after March 16, 2013, applicable to prior art patents and printed publications. Thus “A person shall be entitled to a patent unless”:

- (1) “the claimed invention was patented” or “described in a printed publication” “before the effective filing date of the claimed invention”; or
 (2) “the claimed invention was described in a patent issued under [section 151](#), or in an application for patent published or deemed published under [section 122\(b\)](#), in which the patent or application, as the case may be, names another inventor and was effectively filed before the effective filing date of the claimed invention.”

These provisions are subject to the exceptions of [35 U.S.C. 102\(b\)](#), and effective filing dates are determined pursuant to [35 U.S.C. 102\(d\)](#). For further information as to the first-inventor-to-file prior art regime, see [MPEP Chapter 700](#).

With respect to the first-to-invent prior art regime, substantial new questions of patentability may be based upon the following portions of [35 U.S.C. 102](#) (in effect on March 15, 2013):

- “(a)...patented or described in a printed publication in this or a foreign country, before the invention thereof by the applicant for patent, or”
 “(b) the invention was patented or described in a printed publication in this or a foreign country... more than one year prior to the date of the application for patent in the United States, or”

- “(d) the invention was first patented or caused to be patented, or was the subject of an inventor’s certificate, by the applicant or his legal representatives or assigns in a foreign country prior to the date of the application for patent in this country on an application for patent or inventor’s certificate filed more than

twelve months before the filing of the application in the United States, or”

“(e) the invention was described in — (1) an application for patent, published under [section 122\(b\)](#), by another filed in the United States before the invention by the applicant for patent or (2) a patent granted on an application for patent by another filed in the United States before the invention by the applicant for patent, except that an international application filed under the treaty defined in [section 351\(a\)](#) shall have the effects for the purposes of this subsection of an application filed in the United States only if the international application designated the United States and was published under [Article 21\(2\)](#) of such treaty in the English language; or”

“(g)...(2) before such person’s invention thereof, the invention was made in this country by another inventor who had not abandoned, suppressed, or concealed it. ...”

Substantial new questions of patentability may also be presented under [35 U.S.C. 103](#) which are based on the above indicated portions of [35 U.S.C. 102](#).

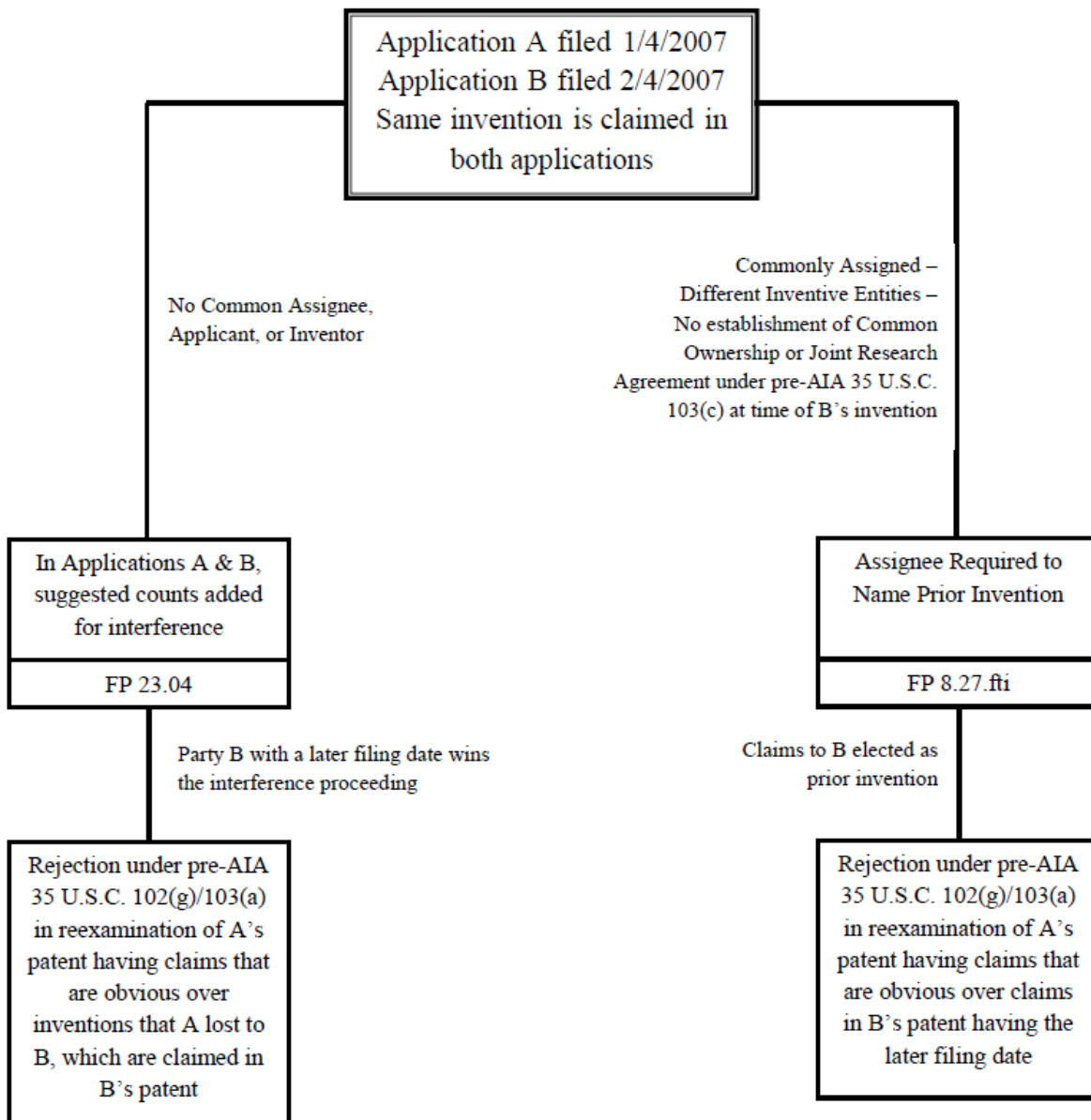
Substantial new questions of patentability in a reexamination proceeding filed under [35 U.S.C. 302](#) must be based on patents or printed publications. Other matters, such as public use or on sale, inventorship, [35 U.S.C. 101](#), [35 U.S.C. 112](#), conduct, etc., will not be considered when making the determination on the request and should not be presented in the request. Further, a prior art patent or printed publication cannot be properly applied as a ground for reexamination if it is merely used as evidence of alleged prior public use or on sale, insufficiency of disclosure, etc. The prior art patent or printed publication must be applied directly to claims under [35 U.S.C. 103](#) and/or an appropriate portion of [35 U.S.C. 102](#) or relate to the application of other prior art patents or printed publications to claims on such grounds.

The statement applying the prior art may, where appropriate, point out that claims in the patent for which reexamination is requested are entitled only to the filing date of the patent and are not supported

by an earlier foreign or United States patent application whose filing date is claimed. For example, the effective date of some of the claims in a patent which resulted from a continuing application under [35 U.S.C. 120](#) could be the filing date of the continuing application since those claims were not supported in the parent application. Therefore, intervening patents or printed publications are available as prior art. See *In re Ruscetta*, 255 F.2d 687, 118 USPQ 101 (CCPA 1958), *In re van Langenhoven*, 458 F.2d 132, 173 USPQ 426 (CCPA 1972). See also [MPEP § 211.05](#).

Typically, substantial new questions of patentability in a reexamination proceeding filed under [35 U.S.C. 302](#) are based on “prior art” patents and publications. There are exceptions, however. For example, in *In re Lonardo*, 119 F.3d 960, 43 USPQ2d 1262 (Fed. Cir. 1997), the Federal Circuit upheld a nonstatutory double patenting rejection in which the patent upon which the rejection was based and the patent under reexamination shared the same effective filing date. See also the discussion as to double patenting in [MPEP § 2258](#). Analogously, for reexamination proceedings examined under the first-to-invent prior art regime, a [35 U.S.C. 102\(g\)\(2\)](#) rejection may be asserted in a reexamination proceeding based on the examples illustrated below:

Rejection of claims in patent with earlier filing date over claims of patent having later filing date, using pre-AIA 35 U.S.C. 102(g) in a manner analogous to double patenting



I. EXPLANATION MUST BE COMPLETE

The mere citation of new patents or printed publications without an explanation does not comply with [37 CFR 1.510\(b\)\(2\)](#). Requester must present an explanation of how the cited patents or printed publications are applied to all claims which requester considers to merit reexamination. This not only sets forth the requester’s position to the Office, but also to the patent owner (where the patent owner is not the requester). A request for reexamination, including the citation form (form on which the references are listed), must not include citations to background references or other references which are not used to support a SNQ or proposed rejection of the claims, and explained in the request as to providing such support. Without explanation for each of the references the request seeks to make of record, the request lacks the requisite “detailed explanation of the pertinency and manner of applying the cited prior art to every claim for which reexamination is requested.”

Thus, for example, once the request has cited documents (patents and printed publications) and proposed combinations of the documents as to patent claims 1-10 (for example), the request must explain how each of the proposed combinations specifically applies to each claim that it is asserted against (i.e., claims 1 – 10), explaining how each document (reference) identified for the combination is used.

Ideally, the required explanation can be provided using an appropriately detailed claim chart that compares, limitation by limitation, each claim for which reexamination is requested with the relevant teachings of each reference cited in the request. See the sample request for reexamination in [MPEP § 2214](#).

For proposed obviousness rejections, requester **must provide** at least one basis for combining the cited references, and a statement of why the claim(s) under reexamination would have been obvious over the proposed reference combination. Preferably, the requester should quote the pertinent teachings in the reference, referencing each quote by page, column and line number and any relevant figure numbers. The explanation **must not** lump together the

proposed rejections or proposed combinations of references.

Examples of inappropriate language:

- Claim 1 is unpatentable under [35 U.S.C. 102](#) as being anticipated by, **or in the alternative**, under [35 U.S.C. 103](#) as being obvious over the Smith reference.
- Claim 1 is unpatentable under [35 U.S.C. 103](#) as being obvious over Smith **and/or** Charles.
- Claim 2 is unpatentable under [35 U.S.C. 103](#) as being obvious over Smith in view of Jones **or** Harvey. (This could however be used if both Jones and Harvey provide a minor teaching which can be articulated in a sentence or two.)
- Claims 3 - 10 are unpatentable under [35 U.S.C. 103](#) as being obvious over Smith in view of either Jones **and** Cooper **or** Harvey **and** Cooper.
- Claims 3 - 10 are unpatentable under [35 U.S.C. 103](#) as being obvious over Smith in view of Harvey, **taken alone or further in view of** Cooper.

Examples of appropriate language:

- Claim 1 is unpatentable under [35 U.S.C. 102](#) as being anticipated by Smith.
- Claim 1 is unpatentable under [35 U.S.C. 103](#) as being obvious over Smith.
- Claim 1 is unpatentable under [35 U.S.C. 103](#) as being obvious over Charles.
- Claim 2 is unpatentable under [35 U.S.C. 103](#) as being obvious over Smith in view of Jones.
- Claim 2 is unpatentable under [35 U.S.C. 103](#) as being obvious over Smith in view of Harvey.
- Claims 3 - 10 are unpatentable under [35 U.S.C. 103](#) as being obvious over Smith in view of Jones, and further in view of Cooper.
- Claims 3 - 10 are unpatentable under [35 U.S.C. 103](#) as being obvious over Smith in view of Harvey, and further in view of Cooper.

Any failure to provide the required explanation for any document, combination, or claim will be identified in a “Notice of Failure to Comply with *Ex Parte* Reexamination Request Filing Requirements” (see [MPEP § 2227](#)). If a requester

receives such a notice that identifies one or more documents, combinations, or claims for which an explanation was not given, the requester has the option to respond by either:

(A) providing a separate explanation for each combination, document, and claim identified in the notice as lacking explanation; or

(B) explicitly withdrawing any document, combination, or claim for which reexamination was requested for which there is no explanation. Obviously, once this is done, requester need not provide an explanation for the withdrawn document, combination, or claim. Thus, for example, if the requester's response to the notice explicitly withdraws the request as to claims 6-10, then the documents and their combinations need only be applied separately as to claims 1-5 of the patent. Likewise, if the requester's response to the notice explicitly withdraws the Jones patent from the request, then no explanation is required as to the Jones reference, and all combinations advanced in the request that contained Jones are deemed to be withdrawn.

Even if the request fails to comply with one of the above-identified requirements, the request may be accepted if it is readily understood from the explanation provided in the request as to how the cited patents or printed publications are applied to all claims which requester considers to merit reexamination.

II. AFFIDAVITS/DECLARATIONS/OTHER WRITTEN EVIDENCE

Affidavits or declarations or other written evidence which explain the contents or pertinent dates of prior art patents or printed publications in more detail may be considered in reexamination. See [MPEP § 2258](#).

III. ADMISSIONS

The consideration under [35 U.S.C. 303](#) of a request for *ex parte* reexamination filed under [35 U.S.C. 302](#) is limited to prior art patents and printed publications. See *Ex parte McGaughey*, 6 USPQ2d 1334, 1337 (Bd. Pat. App. & Inter. 1988). Thus an admission, *per se*, may not be the basis for establishing a substantial new question of

patentability. However, an admission by the patent owner of record in the file or in a court record may be utilized in combination with a patent or printed publication.

For handling of admissions during the examination stage of a proceeding (i.e., after reexamination has been ordered), see [MPEP § 2258](#).

The admission can reside in the patent file (made of record during the prosecution of the patent application) or may be presented during the pendency of the reexamination proceeding or in litigation. Admissions by the patent owner as to any matter affecting patentability may be utilized to determine the scope and content of the prior art **in conjunction with patents and printed publications** in a prior art rejection, whether such admissions result from patents or printed publications or from some other source. An admission relating to *any* prior art established in the record or in court may be used by the examiner in combination with patents or printed publications in a reexamination proceeding. The admission must stand on its own. Information supplementing or further defining the admission would be improper.

Any admission submitted by the patent owner is proper. A third party, however, may not submit admissions of the patent owner made outside the record of the file or the court record, unless such admissions were entered into a court record. If an admission made outside the record of the file or the court record is entered into a court record and a copy thereof is then filed in a reexamination (as a copy of a paper filed in the court), such paper could be admitted pursuant to [MPEP § 2282](#); however, such would not be given weight as an admission with respect to use in establishing a substantial new question of patentability, or as a basis in rejecting claims. Such a submission would be outside the scope of reexamination.

2218 Copies of Prior Art [R-07.2015]

It is required that a copy of each patent or printed publication relied on or referred to in the request filed under [35 U.S.C. 302](#), be filed with the request ([37 CFR 1.510\(b\)\(3\)](#)). If the copy provided is not legible, or is such that its image scanned into the

Image File Wrapper system (IFW) will not be legible, it is deemed to not have been provided. The appropriate “Notice of Failure to Comply with *Ex Parte* Reexamination Request Filing Requirements” (see [MPEP § 2227](#)) will identify this defect. An exception is color photographs and like color submissions, which, if legible as presented, will be retained in an “artifact” file and used as such. If any of the documents are not in the English language, an English language translation of all necessary and pertinent parts is also required. See [MPEP § 609.04\(a\)](#), subsection III. An English language summary or abstract of a non-English language document is usually not sufficient. There is no assurance that the Office will consider the non-English language patent or printed publication beyond the translation matter that is submitted.

The requirement for the submission of a copy of every patent or printed publication relied upon or referred to in the request, pursuant to [37 CFR 1.510\(b\)\(3\)](#), is waived to the extent that copies of U.S. patents and U.S. patent application publications which are relied upon or referred to in the request are not required to be submitted with the request, unless specifically required by the Office. This waiver is in accordance with [37 CFR 1.98](#), which excludes U.S. patents and U.S. patent publications from the requirement for the submission of a legible copy of documents cited in an information disclosure statement, unless specifically required by the Office.

In addition, it is not required nor is it permitted that parties submit copies of copending reexamination proceedings and applications (which copies can be mistaken for a new request/filing); rather, submitters may provide the application/proceeding number and its status (note that a submission that is not permitted entry will be returned, expunged or discarded, at the sole discretion of the Office). For example, where the patent for which reexamination is requested is a continuation-in-part of a parent application, the requester would notify the Office of the application number of the parent application and its status if the asserted substantial new question of patentability relates to a proposed rejection based on an intervening art and the question of whether the claimed subject matter in the patent has support in the parent application is relevant.

2219 Copy of Printed Patent [R-07.2015]

Requesters are required under [37 CFR 1.510\(b\)\(4\)](#) to include a copy of the patent for which reexamination is requested, to serve as the specification for the reexamination proceeding. A copy of the patent for which reexamination is requested should be provided in a double column format. Thus, a full copy of the printed patent (including the front page) would be used to provide the abstract, drawings, specification, and claims of the patent for the reexamination request and the resulting reexamination proceeding. A copy of any disclaimer, certificate of correction, or reexamination certificate issued for the patent must also be included, so that a complete history of the patent is before the Office for consideration. A copy of any federal court decision, complaint in a pending civil action, or interference or derivation decision should also be submitted.

2220 Certificate of Service [R-07.2015]

If the requester of a request filed under [35 U.S.C. 302](#) is a person other than the patent owner, the owner of the patent must be served with a copy of the request in its entirety. The service must be made on the patent owner’s correspondence address as indicated in [37 CFR 1.33\(c\)](#). The third party requester must set forth on the certificate of service the name and address of the party served and the method of service. The certificate of service must be attached to the request submitted to the Office. Further, the copy of the request served on the patent owner must also include a copy of the certificate of service. If service was not possible after a reasonable effort to do so, a duplicate copy of the request papers must be supplied to the Office together with a **cover letter** including an explanation of what effort was made to effect service, and why that effort was not successful. To avoid the possibility of the Office erroneously charging a duplicate filing fee, requesters are strongly encouraged to clearly word the cover letter by stating, for example, in bold print in the heading “**Duplicate Copy of Request Filed under 37 CFR 1.510(b)(5) When Service on the Patent Owner Was Not Possible.**”

See [MPEP § 2266.03](#) regarding service on the requester and on the patent owner.

2221 Amendments Included in Request Filed under 35 U.S.C. 302 by Patent Owner [R-07.2015]

Under [37 CFR 1.510\(e\)](#), a patent owner may include a proposed amendment with his or her request. Any such amendment must be in accordance with [37 CFR 1.530\(d\) through \(j\)](#). See [MPEP § 2250](#) as to the format and requirements of an amendment in a reexamination proceeding. If an amendment is submitted to add claims to the patent being reexamined, then excess claims fees pursuant to [37 CFR 1.20\(c\)\(3\) and \(c\)\(4\)](#) may be applicable to the presentation of the added claims. See the discussion of excess claim fees in [MPEP § 2250.03](#). Amendments may also be proposed by patent owners in a statement under [37 CFR 1.530\(b\) and \(c\)](#) or during the actual *ex parte* reexamination prosecution ([37 CFR 1.550\(b\)](#)). See also [MPEP § 2234](#) and [§ 2250](#).

The request should be decided on the wording of the patent claims in effect at that time (without any proposed amendments). The decision on the request will be made on the basis of the patent claims as though the proposed amendment had not been presented. However, if the request for reexamination is granted, all subsequent reexamination prosecution and examination should be on the basis of the claims as amended.

2222 Address of Patent Owner [R-07.2015]

37 CFR 1.33 Correspondence respecting patent applications, reexamination proceedings, and other proceedings.

(c) All notices, official letters, and other communications for the patent owner or owners in a reexamination or supplemental examination proceeding will be directed to the correspondence address in the patent file. Amendments filed in a reexamination proceeding, and other papers filed in a reexamination or supplemental examination proceeding, on behalf of the patent owner must be signed by the patent owner, or if there is more than one owner by all the owners, or by an attorney or agent of record in the patent file, or by a registered attorney or agent not of record who acts in a representative capacity under the provisions of [§ 1.34](#). Double correspondence with the patent owner or owners and the patent owner's attorney or agent, or with more than one attorney or agent, will not be undertaken.

Address of Patent Owner: The correspondence address for the patent to be reexamined, or being reexamined is the correct address for all notices, official letters, and other communications for patent owners in reexamination proceedings. See [37 CFR 1.33\(c\)](#).

Representative of Patent Owner: As a general rule, the attorney-client relationship terminates when the purpose for which the attorney was employed is accomplished; e.g., the issuance of a patent to the client. However, under [37 CFR 11.104](#), as under former 37 CFR 10.23(c)(8), a practitioner should not fail to timely and adequately inform a client or *former client* of correspondence received from the Office when the correspondence: (i) could have a significant effect on a matter pending before the Office, (ii) is received by the practitioner on behalf of a client or *former client*, and (iii) is correspondence of which a reasonable practitioner would believe under the circumstances the client or *former client* should be notified.” (Emphasis added.) This responsibility of a practitioner to a former client is not eliminated by withdrawing as an attorney or agent of record. See also [37 CFR 1.116\(d\)](#). The practitioner if he/she so desires, can minimize the need for forwarding correspondence concerning issued patents by having the correspondence address changed after the patent issues if the correspondence address is the practitioner's address, which frequently is the case where the practitioner is the attorney or agent of record.

If the patent owner desires that a different attorney or agent receive correspondence, then a new power of attorney must be filed. See [MPEP § 324](#) for establishing an assignee's right to take action when submitting a power of attorney.

Submissions to the Office to change the correspondence address or power of attorney in the record of the patent should be addressed as follows:

Where a request for *ex parte* reexamination has been filed:

Mail Stop “*Ex Parte* Reexam”
Attn: Central Reexamination Unit
Commissioner for Patents
P.O. Box 1450
Alexandria, VA 22313-1450

Where a request for *inter partes* reexamination has been filed:

Mail Stop “*Inter Partes* Reexam”
Attn: Central Reexamination Unit
Commissioner for Patents
P.O. Box 1450
Alexandria, VA 22313-1450

Where no request for reexamination has been filed and the patent is in storage:

Mail Stop Document Services
Director of the U.S. Patent and Trademark Office
P.O. Box 1450
Alexandria, VA 22313-1450

It is strongly recommended that the Mail Stop information be placed in a prominent position on the first page of each paper being filed utilizing a

sufficiently large font size that will direct attention to it.

Sample forms for changing the correspondence address or power of attorney for the patent owner and for the third party requester are set forth below.

Form PTO/AIA/81B Reexamination or Supplemental Examination – Patent Owner Power of Attorney or Revocation of Power of Attorney with a New Power of Attorney and Change of Correspondence Address for Reexamination or Supplemental Examination and Patent

Form PTO/SB/81C Reexamination – Third Party Requester Power of Attorney or Revocation of Power of Attorney with a New Power of Attorney and Change of Correspondence Address

PTO/AIA/81B (07-13)

Approved for use through 01/31/2018. OMB 0651-0035

U.S. Patent and Trademark Office; U.S. DEPARTMENT OF COMMERCE

Under the Paperwork Reduction Act of 1995 no persons are required to respond to a collection of information unless it displays a valid OMB control number

REEXAMINATION OR SUPPLEMENTAL EXAMINATION – PATENT OWNER POWER OF ATTORNEY OR REVOCATION OF POWER OF ATTORNEY WITH A NEW POWER OF ATTORNEY AND CHANGE OF CORRESPONDENCE ADDRESS FOR REEXAMINATION OR SUPPLEMENTAL EXAMINATION AND PATENT	Control Number(s)	
	Filing Date(s)	
	First Named Inventor	
	Title	
	Patent Number	
	Examiner Name	
	Attorney Docket No(s)	

I. Power of Attorney. This form may be used to change the Power of Attorney in a reexamination or supplemental examination proceeding (or multiple proceedings where merged). This form may also be used to change the Power of Attorney in the patent file; in such a case, a copy of this form will be placed in both the patent file and the reexamination or supplemental examination proceeding.

A. Revocation of Previous Power of Attorney. I hereby revoke all previous patent owner powers of attorney, if any, given:

- in the above-identified reexamination or supplemental examination proceeding control number(s) (more than one may be changed only if the proceedings are merged).
- in the file of the above-identified patent.

(check BOTH boxes if change in BOTH the patent file and the reexamination or supplemental examination proceeding is requested).

B. Designation of Power of Attorney.

A Power of Attorney is submitted herewith.

OR

I hereby appoint Practitioner(s) associated with the Customer Number identified in the box at right as my/our attorney(s) or agent(s) to prosecute the proceeding(s)/patent identified above and selected in section I(A), and to transact all business in the United States Patent and Trademark Office connected therewith:

--

OR

I hereby appoint Practitioner(s) named below as my/our attorney(s) or agent(s) to prosecute the proceeding(s) identified above, and to transact all business in the United States Patent and Trademark Office connected therewith:

Practitioner(s) Name	Registration Number

Authorization for the Power of Attorney is provided by the signature on page 2 of this form.

This collection of information is required by 37 CFR 1.31, 1.32, and 1.33. The information is required to obtain or retain a benefit by the public, which is to update (and by the USPTO to process) the file of a patent or reexamination proceeding. Confidentiality is governed by 35 U.S.C. 122 and 37 CFR 1.14. This collection is estimated to take 3 minutes to complete, including gathering, preparing, and submitting the completed application form to the USPTO. Time will vary depending upon the individual case. Any comments on the amount of time you require to complete this form and/or suggestions for reducing this burden, should be sent to the Chief Information Officer, U.S. Patent and Trademark Office, U.S. Department of Commerce, P.O. Box 1450, Alexandria, VA 22313-1450. DO NOT SEND FEES OR COMPLETED FORMS TO THIS ADDRESS. SEND TO: Commissioner for Patents, P.O. Box 1450, Alexandria, VA 22313-1450.

If you need assistance in completing the form, call 1-800-PTO-9199 and select option 2.

Under the Paperwork Reduction Act of 1995 no persons are required to respond to a collection of information unless it displays a valid OMB control number

II. Change of Correspondence Address

Please recognize or change the correspondence address for the above-identified reexamination or supplemental examination proceeding control number(s) (more than one may be changed **only** if they are merged proceedings) **and for the file of the above-identified patent** to be:

The address associated with the above-identified Customer Number.

OR

The address associated with the Customer Number identified in the box at right:

--

OR

Firm or Individual Name

Address

City

State

Zip

Country

Telephone

Email

NOTE: THE CORRESPONDENCE ADDRESS FOR THE REEXAMINATION OR SUPPLEMENTAL EXAMINATION PROCEEDING CONTROL NUMBER(S) MUST BE THE SAME AS THAT FOR THE PATENT. SEE 37 CFR 1.33.

III. Authorization for Power of Attorney and (if selected) Change of Correspondence Address

I am the:

Inventor, having ownership of the patent being reexamined.

OR

Patent owner.

Statement under 37 CFR 3.73(c) (Form PTO/AIA/96) submitted herewith or filed on _____.

Signature of Inventor or Patent Owner

Date

Name

Telephone

Title and Company

NOTE: Signatures of all the inventors or patent owners of the entire interest or their representative(s) are required. If more than one signature is required, submit multiple forms, check the box below, and identify the total number of forms submitted in the blank below.

A total of _____ forms are submitted. *If you need assistance in completing the form, call 1-800-PTO-9199 and select option 2.*

Privacy Act Statement

The **Privacy Act of 1974 (P.L. 93-579)** requires that you be given certain information in connection with your submission of the attached form related to a patent application or patent. Accordingly, pursuant to the requirements of the Act, please be advised that: (1) the general authority for the collection of this information is 35 U.S.C. 2(b)(2); (2) furnishing of the information solicited is voluntary; and (3) the principal purpose for which the information is used by the U.S. Patent and Trademark Office is to process and/or examine your submission related to a patent application or patent. If you do not furnish the requested information, the U.S. Patent and Trademark Office may not be able to process and/or examine your submission, which may result in termination of proceedings or abandonment of the application or expiration of the patent.

The information provided by you in this form will be subject to the following routine uses:

1. The information on this form will be treated confidentially to the extent allowed under the Freedom of Information Act (5 U.S.C. 552) and the Privacy Act (5 U.S.C. 552a). Records from this system of records may be disclosed to the Department of Justice to determine whether disclosure of these records is required by the Freedom of Information Act.
2. A record from this system of records may be disclosed, as a routine use, in the course of presenting evidence to a court, magistrate, or administrative tribunal, including disclosures to opposing counsel in the course of settlement negotiations.
3. A record in this system of records may be disclosed, as a routine use, to a Member of Congress submitting a request involving an individual, to whom the record pertains, when the individual has requested assistance from the Member with respect to the subject matter of the record.
4. A record in this system of records may be disclosed, as a routine use, to a contractor of the Agency having need for the information in order to perform a contract. Recipients of information shall be required to comply with the requirements of the Privacy Act of 1974, as amended, pursuant to 5 U.S.C. 552a(m).
5. A record related to an International Application filed under the Patent Cooperation Treaty in this system of records may be disclosed, as a routine use, to the International Bureau of the World Intellectual Property Organization, pursuant to the Patent Cooperation Treaty.
6. A record in this system of records may be disclosed, as a routine use, to another federal agency for purposes of National Security review (35 U.S.C. 181) and for review pursuant to the Atomic Energy Act (42 U.S.C. 218(c)).
7. A record from this system of records may be disclosed, as a routine use, to the Administrator, General Services, or his/her designee, during an inspection of records conducted by GSA as part of that agency's responsibility to recommend improvements in records management practices and programs, under authority of 44 U.S.C. 2904 and 2906. Such disclosure shall be made in accordance with the GSA regulations governing inspection of records for this purpose, and any other relevant (*i.e.*, GSA or Commerce) directive. Such disclosure shall not be used to make determinations about individuals.
8. A record from this system of records may be disclosed, as a routine use, to the public after either publication of the application pursuant to 35 U.S.C. 122(b) or issuance of a patent pursuant to 35 U.S.C. 151. Further, a record may be disclosed, subject to the limitations of 37 CFR 1.14, as a routine use, to the public if the record was filed in an application which became abandoned or in which the proceedings were terminated and which application is referenced by either a published application, an application open to public inspection or an issued patent.
9. A record from this system of records may be disclosed, as a routine use, to a Federal, State, or local law enforcement agency, if the USPTO becomes aware of a violation or potential violation of law or regulation.

Under the Paperwork Reduction Act of 1995, no persons are required to respond to a collection of information unless it displays a valid OMB control number.

REEXAMINATION - THIRD PARTY REQUESTER POWER OF ATTORNEY OR REVOCATION OF POWER OF ATTORNEY WITH A NEW POWER OF ATTORNEY AND CHANGE OF CORRESPONDENCE ADDRESS	Control Number(s)	
	Filing Date(s)	
	First Named Inventor	
	Title	
	Patent Number	
	Examiner Name	
	Attorney Docket No(s).	

I hereby revoke all previous requester powers of attorney given in the above-identified reexamination proceeding control number(s).

A Power of Attorney is submitted herewith.

OR

I hereby appoint Practitioner(s) associated with the following Customer Number as my/our attorney(s) or agent(s) to prosecute the proceeding(s) identified above, and to transact all business in the United States Patent and Trademark Office connected therewith:

OR

I hereby appoint Practitioner(s) named below as my/our attorney(s) or agent(s) to prosecute the proceeding(s) identified above, and to transact all business in the United States Patent and Trademark Office connected therewith:

Practitioner(s) Name	Registration Number

Please recognize or change the correspondence address for the above-identified reexamination proceeding control number(s) (more than one may be changed **only** if they are merged proceedings) to be:

The address associated with the above-mentioned Customer Number.

OR

The address associated with Customer Number:

OR

Firm or Individual Name

Address			
City	State	Zip	
Country			
Telephone	Email		

I am the *third party* requester.

Proof of authority to act on behalf of requester submitted herewith or filed on

SIGNATURE of Third Party Requester

Signature		Date	
Name		Telephone	
Title and Company			

This collection of information is required by 37 CFR 1.31, 1.32 and 1.33. The information is required to obtain or retain a benefit by the public which is to file (and by the USPTO to process) an application. Confidentiality is governed by 35 U.S.C. 122 and 37 CFR 1.11 and 1.14. This collection is estimated to take 3 minutes to complete, including gathering, preparing, and submitting the completed application form to the USPTO. Time will vary depending upon the individual case. Any comments on the amount of time you require to complete this form and/or suggestions for reducing this burden, should be sent to the Chief Information Officer, U.S. Patent and Trademark Office, U.S. Department of Commerce, P.O. Box 1450, Alexandria, VA 22313-1450. DO NOT SEND FEES OR COMPLETED FORMS TO THIS ADDRESS. SEND TO: **Commissioner for Patents, P.O. Box 1450, Alexandria, VA 22313-1450.**

Privacy Act Statement

The **Privacy Act of 1974 (P.L. 93-579)** requires that you be given certain information in connection with your submission of the attached form related to a patent application or patent. Accordingly, pursuant to the requirements of the Act, please be advised that: (1) the general authority for the collection of this information is 35 U.S.C. 2(b)(2); (2) furnishing of the information solicited is voluntary; and (3) the principal purpose for which the information is used by the U.S. Patent and Trademark Office is to process and/or examine your submission related to a patent application or patent. If you do not furnish the requested information, the U.S. Patent and Trademark Office may not be able to process and/or examine your submission, which may result in termination of proceedings or abandonment of the application or expiration of the patent.

The information provided by you in this form will be subject to the following routine uses:

1. The information on this form will be treated confidentially to the extent allowed under the Freedom of Information Act (5 U.S.C. 552) and the Privacy Act (5 U.S.C. 552a). Records from this system of records may be disclosed to the Department of Justice to determine whether disclosure of these records is required by the Freedom of Information Act.
2. A record from this system of records may be disclosed, as a routine use, in the course of presenting evidence to a court, magistrate, or administrative tribunal, including disclosures to opposing counsel in the course of settlement negotiations.
3. A record in this system of records may be disclosed, as a routine use, to a Member of Congress submitting a request involving an individual, to whom the record pertains, when the individual has requested assistance from the Member with respect to the subject matter of the record.
4. A record in this system of records may be disclosed, as a routine use, to a contractor of the Agency having need for the information in order to perform a contract. Recipients of information shall be required to comply with the requirements of the Privacy Act of 1974, as amended, pursuant to 5 U.S.C. 552a(m).
5. A record related to an International Application filed under the Patent Cooperation Treaty in this system of records may be disclosed, as a routine use, to the International Bureau of the World Intellectual Property Organization, pursuant to the Patent Cooperation Treaty.
6. A record in this system of records may be disclosed, as a routine use, to another federal agency for purposes of National Security review (35 U.S.C. 181) and for review pursuant to the Atomic Energy Act (42 U.S.C. 218(c)).
7. A record from this system of records may be disclosed, as a routine use, to the Administrator, General Services, or his/her designee, during an inspection of records conducted by GSA as part of that agency's responsibility to recommend improvements in records management practices and programs, under authority of 44 U.S.C. 2904 and 2906. Such disclosure shall be made in accordance with the GSA regulations governing inspection of records for this purpose, and any other relevant (*i.e.*, GSA or Commerce) directive. Such disclosure shall not be used to make determinations about individuals.
8. A record from this system of records may be disclosed, as a routine use, to the public after either publication of the application pursuant to 35 U.S.C. 122(b) or issuance of a patent pursuant to 35 U.S.C. 151. Further, a record may be disclosed, subject to the limitations of 37 CFR 1.14, as a routine use, to the public if the record was filed in an application which became abandoned or in which the proceedings were terminated and which application is referenced by either a published application, an application open to public inspection or an issued patent.
9. A record from this system of records may be disclosed, as a routine use, to a Federal, State, or local law enforcement agency, if the USPTO becomes aware of a violation or potential violation of law or regulation.

2223 Withdrawal of Attorney or Agent [R-07.2015]

For a practitioner to withdraw from a patent and/or a reexamination proceeding, the Office no longer requires that there be at least 30 days remaining in any running period for response between the approval of a request to withdraw from representation and the expiration date of any running period for response. Instead, pursuant to [37 CFR 11.116](#), the Office requires the practitioner(s) to certify that he, she or they have: (1) given reasonable notice to the client, prior to the expiration of the response period, that the practitioner(s) intends to

withdraw from employment; (2) delivered to the client or a duly authorized representative of the client all papers and property (including funds) to which the client is entitled; and (3) notified the client of any responses that may be due and the time frame within which the client must respond. “Reasonable notice” would allow a reasonable amount of time for the client to seek the services of another practitioner prior to the expiration of any applicable response period. See also [MPEP § 402.06](#).

A sample form for a request by an attorney or agent of record to withdraw from a patent is set forth below.

Doc Code: PET.POA.WDRW

Document Description: Petition to withdraw attorney or agent (SB83)

PTO/AIA/83 (04-13)

Approved for use through 01/31/2018. OMB 0651-0035

U.S. Patent and Trademark Office, U.S. DEPARTMENT OF COMMERCE

Under the Paperwork Reduction Act of 1995, no persons are required to respond to a collection of information unless it displays a valid OMB control number.

REQUEST FOR WITHDRAWAL AS ATTORNEY OR AGENT AND CHANGE OF CORRESPONDENCE ADDRESS	Application Number	
	Filing Date	
	First Named Inventor	
	Art Unit	
	Examiner Name	
	Practitioner Docket Number	

To: Commissioner for Patents
P.O. Box 1450
Alexandria, VA 22313-1450

Please withdraw me as attorney or agent for the above-identified patent application, and

- all the practitioners of record;
- the practitioners (with registration numbers) of record listed on the attached paper(s); or
- the practitioners of record associated with Customer Number: _____

NOTE: The immediately preceding box should only be marked when the practitioners were appointed using the listed Customer Number.

The reason(s) for this request are those described in 37 CFR:

- | | | |
|---|---------------------------------------|---------------------------------------|
| <input type="checkbox"/> 11.116(a)(1) | <input type="checkbox"/> 11.116(a)(2) | <input type="checkbox"/> 11.116(a)(3) |
| <input type="checkbox"/> 11.116(b)(1) | <input type="checkbox"/> 11.116(b)(2) | <input type="checkbox"/> 11.116(b)(3) |
| <input type="checkbox"/> 11.116(b)(4) | <input type="checkbox"/> 11.116(b)(5) | <input type="checkbox"/> 11.116(b)(6) |
| <input type="checkbox"/> 11.116(b)(7) Please explain below: | | |

Certifications

Check each box below that is factually correct. WARNING: If a box is left unchecked, the request will likely not be approved.

- I/We have given reasonable notice to the client, prior to the expiration of the response period, that the practitioner(s) intend to withdraw from employment.
- I/We have delivered to the client or a duly authorized representative of the client all papers and property (including funds) to which the client is entitled.
- I/We have notified the client of any responses that may be due and the time frame within which the client must respond.

Please provide an explanation, if necessary:

[Page 1 of 2]

This collection of information is required by 37 CFR 1.36. The information is required to obtain or retain a benefit by the public which is to file (and by the USPTO to process) an application. Confidentiality is governed by 35 U.S.C. 122 and 37 CFR 1.11 and 1.14. This collection is estimated to take 12 minutes to complete, including gathering, preparing, and submitting the completed application form to the USPTO. Time will vary depending upon the individual case. Any comments on the amount of time you require to complete this form and/or suggestions for reducing this burden, should be sent to the Chief Information Officer, U.S. Patent and Trademark Office, U.S. Department of Commerce, P.O. Box 1450, Alexandria, VA 22313-1450. DO NOT SEND FEES OR COMPLETED FORMS TO THIS ADDRESS. SEND TO: Commissioner for Patents, P.O. Box 1450, Alexandria, VA 22313-1450.

If you need assistance in completing the form, call 1-800-PTO-9199 and select option 2.

PTO/AIA/83 (04-13)

Approved for use through 01/31/2018. OMB 0651-0035

U.S. Patent and Trademark Office, U.S. DEPARTMENT OF COMMERCE

Under the Paperwork Reduction Act of 1995, no persons are required to respond to a collection of information unless it displays a valid OMB control number.

**REQUEST FOR WITHDRAWAL AS ATTORNEY OR AGENT
AND CHANGE OF CORRESPONDENCE ADDRESS**

Complete the following section only when the correspondence address will change. *Changes of address will only be accepted to an applicant.*

Change the correspondence address and direct all future correspondence to:

A. The address of the applicant associated with Customer Number: _____

OR

B. Applicant

Address

City	State	Zip	Country
------	-------	-----	---------

Telephone	Email
-----------	-------

I am authorized to sign on behalf of myself and all withdrawing practitioners.

Signature

Name	Registration No.
------	------------------

Address

City	State	Zip	Country
------	-------	-----	---------

Date	Telephone No.
------	---------------

NOTE: Withdrawal is effective when approved rather than when received.

[Page 2 of 2]

This collection of information is required by 37 CFR 1.36. The information is required to obtain or retain a benefit by the public which is to file (and by the USPTO to process) an application. Confidentiality is governed by 35 U.S.C. 122 and 37 CFR 1.11 and 1.14. This collection is estimated to take 12 minutes to complete, including gathering, preparing, and submitting the completed application form to the USPTO. Time will vary depending upon the individual case. Any comments on the amount of time you require to complete this form and/or suggestions for reducing this burden, should be sent to the Chief Information Officer, U.S. Patent and Trademark Office, U.S. Department of Commerce, P.O. Box 1450, Alexandria, VA 22313-1450. DO NOT SEND FEES OR COMPLETED FORMS TO THIS ADDRESS. SEND TO: Commissioner for Patents, P.O. Box 1450, Alexandria, VA 22313-1450.

If you need assistance in completing the form, call 1-800-PTO-9199 and select option 2.

Privacy Act Statement

The **Privacy Act of 1974 (P.L. 93-579)** requires that you be given certain information in connection with your submission of the attached form related to a patent application or patent. Accordingly, pursuant to the requirements of the Act, please be advised that: (1) the general authority for the collection of this information is 35 U.S.C. 2(b)(2); (2) furnishing of the information solicited is voluntary; and (3) the principal purpose for which the information is used by the U.S. Patent and Trademark Office is to process and/or examine your submission related to a patent application or patent. If you do not furnish the requested information, the U.S. Patent and Trademark Office may not be able to process and/or examine your submission, which may result in termination of proceedings or abandonment of the application or expiration of the patent.

The information provided by you in this form will be subject to the following routine uses:

1. The information on this form will be treated confidentially to the extent allowed under the Freedom of Information Act (5 U.S.C. 552) and the Privacy Act (5 U.S.C. 552a). Records from this system of records may be disclosed to the Department of Justice to determine whether disclosure of these records is required by the Freedom of Information Act.
2. A record from this system of records may be disclosed, as a routine use, in the course of presenting evidence to a court, magistrate, or administrative tribunal, including disclosures to opposing counsel in the course of settlement negotiations.
3. A record in this system of records may be disclosed, as a routine use, to a Member of Congress submitting a request involving an individual, to whom the record pertains, when the individual has requested assistance from the Member with respect to the subject matter of the record.
4. A record in this system of records may be disclosed, as a routine use, to a contractor of the Agency having need for the information in order to perform a contract. Recipients of information shall be required to comply with the requirements of the Privacy Act of 1974, as amended, pursuant to 5 U.S.C. 552a(m).
5. A record related to an International Application filed under the Patent Cooperation Treaty in this system of records may be disclosed, as a routine use, to the International Bureau of the World Intellectual Property Organization, pursuant to the Patent Cooperation Treaty.
6. A record in this system of records may be disclosed, as a routine use, to another federal agency for purposes of National Security review (35 U.S.C. 181) and for review pursuant to the Atomic Energy Act (42 U.S.C. 218(c)).
7. A record from this system of records may be disclosed, as a routine use, to the Administrator, General Services, or his/her designee, during an inspection of records conducted by GSA as part of that agency's responsibility to recommend improvements in records management practices and programs, under authority of 44 U.S.C. 2904 and 2906. Such disclosure shall be made in accordance with the GSA regulations governing inspection of records for this purpose, and any other relevant (*i.e.*, GSA or Commerce) directive. Such disclosure shall not be used to make determinations about individuals.
8. A record from this system of records may be disclosed, as a routine use, to the public after either publication of the application pursuant to 35 U.S.C. 122(b) or issuance of a patent pursuant to 35 U.S.C. 151. Further, a record may be disclosed, subject to the limitations of 37 CFR 1.14, as a routine use, to the public if the record was filed in an application which became abandoned or in which the proceedings were terminated and which application is referenced by either a published application, an application open to public inspection or an issued patent.
9. A record from this system of records may be disclosed, as a routine use, to a Federal, State, or local law enforcement agency, if the USPTO becomes aware of a violation or potential violation of law or regulation.

2224 Correspondence [R-08.2017]

All requests for *ex parte* reexamination filed under [35 U.S.C. 302](#) (original request papers) and all subsequent *ex parte* reexamination correspondence mailed to the U.S. Patent and Trademark Office via the U.S. Postal Service Mail, other than correspondence to the Office of the General Counsel pursuant to [37 CFR 1.1\(a\)\(3\)](#) and [1.302\(e\)](#), should be addressed:

Mail Stop “*Ex Parte* Reexam”
Attn: Central Reexamination Unit
Commissioner for Patents
P.O. Box 1450
Alexandria, VA 22313-1450

All such correspondence hand carried to the Office, or submitted by delivery service (e.g., Federal Express, DHL, etc., which are commercial mail or delivery services) should be carried to:

Customer Service Window
Randolph Building
401 Dulany Street
Alexandria, VA 22314

Hand-carried correspondence and correspondence submitted by delivery service should also be marked “Mail Stop *Ex Parte* Reexam.” Whether the correspondence is mailed via the U.S. Postal Service mail or is hand-carried to the Office, it is strongly recommended that the Mail Stop information be placed in a prominent position on the first page of each paper being filed utilizing a sufficiently large font size that will direct attention to it.

A request for *ex parte* reexamination may not be sent by facsimile transmission (FAX). See [37 CFR 1.6\(d\)\(5\)](#). This is also true for a corrected/completed request sent in response to a notice that the original request was not filing date compliant, since the corrected/completed request stands in place of, or is a completion of, the original request papers. All subsequent *ex parte* reexamination correspondence, however, may be FAXed to:

Central Reexamination Unit
(571) 273-9900.

Effective July 9, 2007, the U.S. Patent and Trademark Office began accepting requests for reexamination, and “follow-on” papers (i.e.,

subsequent correspondence in reexamination proceedings) submitted via the Office’s Web-based electronic filing system (EFS-Web). The Office has updated the Legal Framework for EFS-Web to set forth that requests for reexamination, and proper reexamination “follow-on” papers (see [MPEP § 2267](#)) are permitted to be submitted using EFS-Web. The current version of the Legal Framework for EFS-Web is at: www.uspto.gov/ebc/portal/efs/legal.htm.

After the filing of the request for *ex parte* reexamination, any letters sent to the U.S. Patent and Trademark Office relating to the resulting *ex parte* reexamination proceeding should identify the proceeding by the number of the patent undergoing reexamination, the reexamination request control number assigned, the art unit, and the name of the examiner.

The certificate of mailing and transmission procedures ([37 CFR 1.8](#)) may be used to file any paper in an *ex parte* reexamination proceeding, except for a request for reexamination and a corrected/replacement request for reexamination. This includes the filing of a patent owner’s statement under [37 CFR 1.530](#), and a requester’s reply under [37 CFR 1.535](#). See [MPEP § 512](#) as to the use of the certificate of mailing and transmission procedures. The Priority Mail Express® mailing procedure ([37 CFR 1.10](#)) may be used to file any paper in an *ex parte* reexamination proceeding. See [MPEP § 513](#) as to the use of the Priority Mail Express® mailing procedure. Again, the filing of a patent owner’s statement under [37 CFR 1.530](#), and a requester’s reply under [37 CFR 1.535](#), are included.

Communications from the U.S. Patent and Trademark Office to the patent owner will be directed to the correspondence address for the patent being reexamined. See [37 CFR 1.33\(c\)](#).

Amendments and other papers filed on behalf of patent owners must be signed by the patent owners, or the registered attorney or agent of record in the patent file, or any registered attorney or agent acting in a representative capacity under [37 CFR 1.34\(a\)](#). See [MPEP § 2213](#).

Double correspondence with the patent owners and the attorney or agent normally will not be undertaken by the Office.

Where no correspondence address is otherwise specified, correspondence will be with the most recent attorney or agent made of record by the patent owner.

Note [MPEP § 2220](#) on certificate of service.

See [MPEP § 2624](#) for correspondence in *inter partes* reexamination proceedings.

2225 Untimely Paper Filed Prior to Order under 35 U.S.C. 304 [R-07.2015]

After filing of a request for *ex parte* reexamination under [35 U.S.C. 302](#), no papers directed to the merits of the reexamination other than (A) citations of patents or printed publications under [37 CFR 1.501](#) or [37 CFR 1.555](#), (B) another complete request under [37 CFR 1.510](#) or [37 CFR 1.915](#), or (C) notifications pursuant to [MPEP § 2282](#), should be filed with the Office prior to the date of the decision on the request for reexamination. Any papers directed to the merits of the reexamination other than those under [37 CFR 1.501](#) or [1.555](#), or [MPEP § 2282](#), filed prior to the decision on the request will be returned to the sender by the Central Reexamination Unit or Technology Center Director without consideration. If the papers are entered prior to discovery of the impropriety, such papers will be expunged from the record. A copy of the letter providing notification of the returned papers or expungement will be made of record in the patent file. However, no copy of the returned/expunged papers will be retained by the Office. If the submission of the returned/expunged papers is appropriate later in the proceedings, they may be filed and accepted by the Office at that time. See *Patlex Corp. v. Mossinghoff*, 771 F.2d 480, 226 USPQ 985, 989 (Fed. Cir. 1985); *In re Knight*, 217 USPQ 294 (Comm'r Pat. 1982) and *In re Amp*, 212 USPQ 826 (Comm'r Pat. 1981).

2226 Initial Processing of Request for *Ex Parte* Reexamination Filed under 35 U.S.C. 302 [R-07.2015]

The opening of all mail marked “Mail Stop *Ex Parte* Reexam,” and all initial clerical processing of requests for reexamination, will be performed in the Office of Patent Application Processing (OPAP).

2227 Incomplete Request for *Ex Parte* Reexamination Filed under 35 U.S.C. 302 [R-08.2017]

37 CFR 1.510 Request for ex parte reexamination.

(c) If the request does not include the fee for requesting *ex parte* reexamination required by paragraph (a) of this section and meet all the requirements by paragraph (b) of this section, then the person identified as requesting reexamination will be so notified and will generally be given an opportunity to complete the request within a specified time. Failure to comply with the notice will result in the *ex parte* reexamination request not being granted a filing date, and will result in placement of the request in the patent file as a citation if it complies with the requirements of [§ 1.501](#).

(d) The filing date of the request for *ex parte* reexamination is the date on which the request satisfies all the requirements of this section.

Request papers that fail to satisfy all the requirements of [37 CFR 1.510\(a\) and \(b\)](#) are incomplete and will not be granted a filing date.

OFFICE PROCEDURE WHERE THE REQUEST FAILS TO COMPLY WITH REQUIREMENTS FOR A FILING DATE

A. Discovery of Non-Compliance with Filing Date Requirement(s) Prior to Assigning a Filing Date

1. Notice of Failure to Comply with Reexamination Request Filing Requirement

The Central Reexamination Unit (CRU) Legal Instrument Examiner (LIE) and CRU Paralegal check the request for compliance with the reexamination filing date requirements. If it is determined that the request fails to meet one or more of the filing date requirements (see [MPEP § 2214](#)), the person identified as requesting reexamination will be so notified and will be given an opportunity

to complete the requirements of the request within a specified time (generally 30 days). Form PTOL-2077, “Notice of Failure to Comply with *Ex Parte* Reexamination Request Filing Requirements,” is used to provide the notification for *ex parte* reexamination. If explanation is needed as to a non-compliance item, the box at the bottom of the form will be checked. An attachment will then be completed to specifically explain why the request does not comply. If there is a filing fee deficiency, a form, PTOL-2057, is completed and attached to form PTOL-2077.

2. Failure to Remedy Defect(s) in “Notice of Failure to Comply with *Ex Parte* Reexamination Request Filing Requirements”

If after receiving a “Notice of Failure to Comply with *Ex Parte* Reexamination Request Filing Requirements,” the requester does not remedy the defects in the request papers that are pointed out, then the request papers will not be given a filing date, but the assigned control number will be retained. Examples of a failure to remedy the defect(s) in the notice are (A) where the requester does not timely respond to the notice, and (B) where requester does respond, but the response does not cure the defect(s) identified to requester and/or introduces a new defect or deficiency.

If the requester timely responds to the “Notice of Failure to Comply with *Ex Parte* Reexamination Request Filing Requirements,” the CRU LIE and CRU Paralegal will check the request, as supplemented by the response, for correction of all non-compliance items identified in the notice. If any identified non-compliance item has not been corrected, a filing date will not be assigned to the request papers. It is to be noted that a single failure to comply with the “Notice of Failure to Comply with *Ex Parte* Reexamination Request Filing Requirements” will ordinarily result in the reexamination request not being granted a filing date. [37 CFR 1.510\(c\)](#) provides that “[f]ailure to comply with the notice may result in the *ex parte* reexamination request not being granted a filing date.” Thus, absent extraordinary circumstances, requester will be given only one opportunity to correct the non-compliance. Similarly, if the response introduces a new defect or deficiency into

the request papers, the *ex parte* reexamination request will not be granted a filing date absent extraordinary circumstances.

If the request papers are not made filing-date-compliant in response to the Office’s “Notice of Failure to Comply with *Ex Parte* Reexamination Request Filing Requirements,” the CRU LIE will prepare a “Notice of Termination of Preprocessing of *Ex Parte* Reexamination Request,” form PTOL-2079, identifying what defects have not been corrected.

B. Non-Compliance with Filing Date Requirement(s) Discovered After Initial Issuance of Notice of Reexamination Request Filing Date

1. Decision Vacating Filing Date

After a filing date and control number are assigned to the request papers, the examiner reviews the request to decide whether to grant or deny reexamination. If, in the process of reviewing the request, the examiner notes a non-compliance item not earlier recognized, the examiner will communicate with the CRU Supervisory Patent Reexamination Specialist (SPRS) detailing any such non-compliance item(s). The CRU SPRS will discuss the case with an appropriate OPLA Legal Advisor. Upon confirmation of the existence of any such non-compliant item(s), OPLA will issue a decision vacating the assigned reexamination filing date. In OPLA’s decision, the requester will be notified of the non-compliant item(s) and given time to correct the non-compliance. As noted above, [37 CFR 1.510\(c\)](#) provides that “[f]ailure to comply with the notice may result in the *ex parte* reexamination request not being granted a filing date.” Thus, absent extraordinary circumstances, requester will only be given one opportunity to correct the non-compliant item(s) identified in the Decision Vacating Filing Date. This category also includes instances where the Office becomes aware of a check returned for insufficient fund or a stopped payment of a check after a filing date has been assigned, and prior to the decision on the request for reexamination.

2. Failure to Remedy Defect in Decision Vacating Filing Date

If the requester does not timely respond to the Office's notice, the CRU will draft a Decision Vacating the Proceeding, which will be reviewed and signed by OPLA.

If the requester timely responds to the Decision Vacating Filing Date, but the response fails to satisfy all the non-compliance items identified in the decision or introduces a new defect into the request papers, the examiner will inform the CRU SPRS of the defects, and whether the non-compliant request papers qualify as a [37 CFR 1.501](#) submission or not (and why). Where the defects are not remedied or a new defect has been added, the Office will issue a Decision Vacating the Proceeding.

The Decision Vacating the Proceeding will identify the items that do not comply with the filing date requirements which were not rectified, or are newly added. The decision will also point out the disposition of the request papers (treated as a [37 CFR 1.501](#) submission or discarded) and why.

2228 [Reserved]

2229 Notice of Request under 35 U.S.C. 302 for *Ex Parte* Reexamination in *Official Gazette* [R-07.2015]

Notice of filing of all complete *ex parte* reexamination requests filed under [35 U.S.C. 302](#) will be published in the *Official Gazette*, approximately 4 - 5 weeks after filing.

Both reexamination requests filed under [35 U.S.C. 302](#) that have been assigned a filing date and Director-initiated orders to reexamine made without a request will be announced in the *Official Gazette*. The reexamination preprocessing staff of the Central Reexamination Unit (CRU) will complete a form with the information needed to print the notice. The forms are forwarded at the end of each week to the Office of Data Management for printing in the *Official Gazette*.

Office personnel may use the PALM system to determine if a request for reexamination has been filed in a particular patent. The *Official Gazette* notice will appear in the notice section of the *Official Gazette* under the heading of Requests for *Ex Parte* Reexamination Filed and will include the name of any requestor along with the other items set forth in [37 CFR 1.11\(c\)](#).

2230 Constructive Notice to Patent Owner [R-07.2015]

In some instances, it may not be possible to deliver mail to the patent owner because no current address is available. If all efforts to correspond with the patent owner fail, the reexamination proceeding will proceed without actual notice to the patent owner. The publication in the *Official Gazette* of (A) the notice of the filing of a request for reexamination filed under [35 U.S.C. 302](#), or (B) the notice of the ordering of reexamination at the initiative of the Director of the Office, will serve as constructive notice to the patent owner in such an instance.

2231 Processing of Request Corrections [R-07.2015]

All processing of submissions to cure an incomplete request for *ex parte* reexamination filed under [35 U.S.C. 302](#) (see [MPEP § 2227](#)) is carried out by the Central Reexamination Unit (CRU). Any such submission should be marked "Mail Stop *Ex Parte* Reexam" in the manner discussed in [MPEP § 2224](#) so that the submission may be promptly forwarded to the staff of the CRU.

2232 Public Access to Reexaminations Filed under 35 U.S.C. 302 [R-07.2015]

Reexamination files are open to inspection by the general public by way of the Public PAIR via the USPTO Internet site. In viewing the images of the reexamination proceedings, members of the public will be able to view the entire content of the reexamination file with the exception of non-patent literature. To access Public PAIR, a member of the public would go to the USPTO website at www.uspto.gov.

If a copy of the reexamination file is requested, it may be ordered from the Document Services Division of the Office of Public Records (OPR). Orders for such copies must indicate the control number of the reexamination proceeding. Orders should be addressed as follows:

Mail Stop Document Services
Director of the U.S. Patent & Trademark Office
P.O. Box 1450
Alexandria, VA 22313-1450

Requests for a copy of a request may also be sent via email to: dsd@uspto.gov, and the cost of the copy may be charged to a credit card or deposit account. Alternatively, a copy may be obtained from IFW via PAIR.

To obtain a “certified copy” of a reexamination file, a CD-ROM may be purchased from Document Services Division of OPR.

2232.01 Determining if a Reexamination Request Was Filed under 35 U.S.C. 302 for a Patent [R-07.2015]

TO DETERMINE FROM PAIR OR PALM IF A REEXAMINATION REQUEST HAS BEEN FILED FOR A GIVEN PATENT NUMBER

Both the Internet (using PAIR) and the USPTO intranet (using PALM) can be accessed to determine if a reexamination request has been filed for a particular patent.

Using the USPTO Intranet

- From the USPTO intranet site <http://ptoweb/ptointranet/index.htm>, Office personnel can click on “PALM” and then “General Information” which opens the PALM INTRANET General Information Display.
- From here, enter the patent number in the box labeled Patent #.
- Click on “Search” and when the “Patent Number Information” appears, click on “Continuity Data” to obtain the reexamination number.

Any reexamination for the patent number will be listed.

There will be about a ten (10) day lag between filing and data entry into the PALM database.

2233 Processing in Central Reexamination Unit and Technology Center [R-07.2015]

The working groups in the Central Reexamination Unit (CRU) or Technology Centers (TCs) have designated the legal instrument examiners and paralegals to act as reexamination clerks, as part of their assigned duties, and thus to perform those clerical duties and responsibilities in the groups which are unique to reexamination. The TC Quality Assurance Specialists (QASs) or CRU Supervisory Patent Reexamination Specialists (SPRSs) and CRU Paralegal Specialists have the responsibility to oversee clerical processing and serve as a resource for questions.

I. FEES

Under reexamination pursuant to [35 U.S.C. 302](#), there are fees for the request ([37 CFR 1.20\(c\)\(1\)](#)), for addition of claims (excess claims fees under [37 CFR 1.20\(c\)\(3\)](#) and [\(c\)\(4\)](#)), for an extension of time, and for any appeal, appeal forwarding fee, and oral hearing fees under [37 CFR 41.20\(b\)](#). No fee is required for issue of the reexamination certificate.

Any petitions relating to a reexamination proceeding require fees ([37 CFR 1.17\(m\)](#) and [1.20\(c\)\(6\)](#)).

Micro entity reductions are available to patent owners only. Small entity and micro entity reductions are available to the patent owner for excess claim fees, appeal, appeal forwarding, and oral hearing fees. For the request and petition fees, small entity reductions are available to both third party requesters and patent owners; however, micro entity reductions are available only to patent owners.

When a fee is required in a merged proceeding (see [MPEP § 2283](#) and [§ 2285](#)), only a single fee is needed even though multiple copies of the submissions (one for each file) are required.

II. MAILING

A transmittal form with the requester's address will be used to forward copies of Office actions (and any references cited in the Office actions) to the requester. Whenever an Office action is issued, a copy of this form will be made and attached to a copy of the Office action. The use of this form removes the need to retype the requester's address each time a mailing is required. When the patent owner is the requester, no such form is needed.

2234 Entry of Amendments [R-07.2015]

37 CFR 1.121 Manner of making amendments in applications.

(j) *Amendments in reexamination proceedings.* Any proposed amendment to the description and claims in patents involved in reexamination proceedings must be made in accordance with [§ 1.530](#).

37 CFR 1.530 Statement by patent owner in ex parte reexamination; amendment by patent owner in ex parte or inter partes reexamination; inventorship change in ex parte or inter partes reexamination.

(d) *Making amendments in a reexamination proceeding.* A proposed amendment in an *ex parte* or an *inter partes* reexamination proceeding is made by filing a paper directing that proposed specified changes be made to the patent specification, including the claims, or to the drawings. An amendment paper directing that proposed specified changes be made in a reexamination proceeding may be submitted as an accompaniment to a request filed by the patent owner in accordance with [§ 1.510\(e\)](#), as part of a patent owner statement in accordance with paragraph (b) of this section, or, where permitted, during the prosecution of the reexamination proceeding pursuant to [§ 1.550\(a\)](#) or [§ 1.937](#).

(1) *Specification other than the claims.* Changes to the specification, other than to the claims, must be made by submission of the entire text of an added or rewritten paragraph including markings pursuant to paragraph (f) of this section, except that an entire paragraph may be deleted by a statement deleting the paragraph, without presentation of the text of the paragraph. The precise point in the specification must be identified where any added or rewritten paragraph is located. This paragraph applies whether the amendment is submitted on paper or compact disc (*see* [§§ 1.96](#) and [1.825](#)).

(2) *Claims.* An amendment paper must include the entire text of each patent claim which is being proposed to be changed by such amendment paper and of each new claim being proposed to be added by such amendment paper. For any claim changed by the amendment paper, a parenthetical expression "amended," "twice amended," *etc.* , should follow the claim number. Each patent claim proposed to be changed and each

proposed added claim must include markings pursuant to paragraph (f) of this section, except that a patent claim or proposed added claim should be canceled by a statement canceling the claim, without presentation of the text of the claim.

(3) *Drawings.* Any change to the patent drawings must be submitted as a sketch on a separate paper showing the proposed changes in red for approval by the examiner. Upon approval of the changes by the examiner, only new sheets of drawings including the changes and in compliance with [§ 1.84](#) must be filed. Amended figures must be identified as "Amended," and any added figure must be identified as "New." In the event a figure is canceled, the figure must be surrounded by brackets and identified as "Canceled."

(4) The formal requirements for papers making up the reexamination proceeding other than those set forth in this section are set out in [§ 1.52](#).

(e) *Status of claims and support for claim changes.* Whenever there is an amendment to the claims pursuant to paragraph (d) of this section, there must also be supplied, on pages separate from the pages containing the changes, the status (*i.e.*, pending or canceled), as of the date of the amendment, of all patent claims and of all added claims, and an explanation of the support in the disclosure of the patent for the changes to the claims made by the amendment paper.

(f) *Changes shown by markings.* Any changes relative to the patent being reexamined which are made to the specification, including the claims, must include the following markings:

(1) The matter to be omitted by the reexamination proceeding must be enclosed in brackets; and

(2) The matter to be added by the reexamination proceeding must be underlined.

(g) *Numbering of patent claims preserved.* Patent claims may not be renumbered. The numbering of any claims added in the reexamination proceeding must follow the number of the highest numbered patent claim.

(h) *Amendment of disclosure may be required.* The disclosure must be amended, when required by the Office, to correct inaccuracies of description and definition, and to secure substantial correspondence between the claims, the remainder of the specification, and the drawings.

(i) *Amendments made relative to patent.* All amendments must be made relative to the patent specification, including the claims, and drawings, which are in effect as of the date of filing the request for reexamination.

(j) *No enlargement of claim scope.* No amendment may enlarge the scope of the claims of the patent or introduce new matter. No amendment may be proposed for entry in an expired patent. Moreover, no amendment, other than the cancellation of claims, will be incorporated into the patent by a certificate issued after the expiration of the patent.

(k) *Amendments not effective until certificate .* Although the Office actions will treat proposed amendments as though they have been entered, the proposed amendments will not be effective until the reexamination certificate is issued and published.

Amendments which comply with [37 CFR 1.530\(d\)](#) through [\(j\)](#) (and are formally presented pursuant to [37 CFR 1.52\(a\)](#) and [37 CFR 1.52\(b\)](#)), and contain all fees required by [37 CFR 1.20\(c\)](#) are entered in the reexamination file.

Patent claims must not be renumbered, and the numbering of the claims added during reexamination must follow the number of the highest numbered patent claim.

ALL amendments in reexamination proceedings, including examiner's amendments made at the time when the Notice of Intent to Issue *Ex Parte* Reexamination Certificate (NIRC) is prepared ([37 CFR 1.121\(g\)](#) does not apply in reexamination proceedings), must be presented in the form of a full copy of the text of each claim which is amended and each paragraph of the description which is amended. In other words, the entire claim or paragraph must be presented for any amendment of the claim or paragraph.

If a portion of the text is amended more than once, each amendment should indicate *ALL* of the changes (insertions and deletions) in relation to the current text of the patent under reexamination.

Although amendments will be entered for purposes of examination, the amendments are not legally effective until the reexamination certificate is issued and published.

See [MPEP § 2250](#) for manner of making amendments by patent owner and for examples of proper claim amendment format. For clerical handling of amendments, see [MPEP § 2270](#). See also [MPEP § 2221](#) for amendments included in the request filed under [35 U.S.C. 302](#) by the patent owner. For entry of amendments in a merged proceeding, see [MPEP § 2283](#) and [§ 2285](#).

2235 Record Systems [R-07.2015]

PALM — MONITORING SYSTEMS

The Patent Application Locating and Monitoring (PALM) system is used to support the reexamination

process. The sections below delineate PALM related activities.

(A) *Reexamination File Data on PALM* — The routine PALM retrieval transactions are used to obtain data on reexamination files. From the USPTO intranet site, Office staff can click on “PALM” and then “General Information” which opens the PALM INTRANET General Information Display. From here, enter the patent number in the box labeled Patent #. Then click on “Search” and when the “Patent Number Information” appears, click on “Continuity Data” to obtain the reexamination number.

(B) *Reexamination e-File* — The papers of a reexamination proceeding may be viewed on IFW. PALM provides information for the reexamination proceeding as to the patent owner and requester, contents, status, and related Office proceedings (applications, patents and reexamination proceedings). Some of the data entry for reexamination in PALM is different from that of a regular patent application. There are also differences in the status codes – all reexamination proceedings generally have status codes in the “400” range (there are some in the “800” range for some *inter partes* documents and actions).

(C) *Patent File Location Control for Patents Not Available on IFW, i.e., Available Only in Paper File* — The movement of paper patent files related to requests for reexamination throughout the Office is monitored by the PALM system. If the patent file is in paper form, the paper file should be ordered and scanned into the Image File Wrapper (IFW) for access throughout the prosecution of the reexamination proceeding.

(D) *Reporting Events to PALM* — The PALM system is used to monitor major events that take place in processing reexamination proceedings. During initial processing all major pre- *ex parte* examination events are reported. During the *ex parte* phase, the mailing of examiner's actions is reported as well as owner's responses thereto. The Central Reexamination Unit is responsible for reporting these events by, e.g., using the reexamination icon and window initiated in the PALM EXPO program. Examples of the events that may be reported (in the PALM system or in the tracking system of the Office of Petitions) are as follows:

- (1) Determination Mailed — Denial of request for reexamination.
- (2) Determination Mailed — Grant of request for reexamination.
- (3) Petition for reconsideration of determination received.
- (4) Decision on petition mailed — Denied.
- (5) Decision on petition mailed — Granted.
- (6) Owner response to determination (owner’s statement) received.
- (7) Requester response to determination (requester’s reply) received.
- (8) The mailing of all examiner actions.
- (9) The receipt of owner’s responses to examiner’s actions and Office receipt date.

Each of these events, as well as additional events reported by the Central Reexamination Unit (CRU) Technical Support Staff (TSS) will be permanently recorded and displayed in the “Contents” portion of PALM. In addition, status representative of these events will also be displayed.

(E) *Status Reports* — Various weekly reports can be generated for the event reporting discussed above. The primary purpose of these reports is to assure that reexaminations are, in fact, processed with “special dispatch.”

PALM Reports — A number of automated reports generated from the PALM system are provided to the CRU and other appropriate TCs at the beginning of each week. These reports serve to indicate to the CRU and other appropriate TCs when certain deadlines are approaching. Each report is subdivided by working group and lists the requests in control number sequence. For example:

- (1) Preexam Reexam — This report serves to highlight those requests which have not been assigned to an examiner by the sixth week since their filing. Requests appearing on this report should be located and docketed immediately.
- (2) Reexams Awaiting FA – This report lists those proceedings awaiting first action after the mailing of the order granting reexamination. This report includes *ex parte* reexaminations, including

reexaminations ordered under [35 U.S.C. 257](#), and *inter partes* reexaminations.

(3) Reexam Actions in CRU – This report lists reexamination proceedings located in the Central Reexamination Unit (CRU) with action type and date.

(4) Reexam PTAB - status 143, 440, 441 and 887-891 – This report lists the proceedings that have been forwarded to the Patent Trial and Appeal Board (PTAB).

2236 Assignment of Reexamination [R-07.2015]

Reexamination requests are generally assigned to the Central Reexamination Unit (CRU) art unit which examines the technology (Chemical, Electrical, Mechanical, etc.) in which the patent to be reexamined is currently classified as an original. In that art unit, the CRU Supervisory Patent Reexamination Specialist (SPRS) will assign the reexamination request to a primary examiner, other than the examiner who originally examined the patent application (see “Examiner Assignment Policy” below), who is most familiar with the claimed subject matter of the patent. In an extremely rare situation, where a proceeding is still in a Technology Center (TC) rather than the CRU, the reexamination may be assigned to an assistant examiner if no knowledgeable primary examiner is available. In such an instance a primary examiner must sign all actions, conference all actions with a SPRS or manager and another examiner, and take responsibility for all actions taken.

I. EXAMINER ASSIGNMENT POLICY

It is the policy of the Office that the CRU SPRS will assign the reexamination request to an examiner different from the examiner(s) who examined the patent application. Thus, under normal circumstances, the reexamination request will not be assigned to a primary examiner or assistant examiner who was involved in any part of the examination of the patent for which reexamination is requested (e.g., by preparing/signing an action), or was so involved in the examination of the parent of the patent. This would preclude assignment of the request to an examiner who was a conferee in an

appeal conference or panel review conference in an earlier concluded examination of the patent (e.g., the application for patent, a reissue, or a prior concluded reexamination proceeding). The conferee is considered to have participated in preparing the Office action which is preceded by the conference.

Exceptions to this general policy include cases where the original examiner is the only examiner with adequate knowledge of the relevant technology to examine the case. In the unusual case where there is a need to assign the request to the original examiner, the assignment must be approved by the CRU Director, and the fact that such approval was given by the CRU Director must be stated by the examiner in the decision on the request for reexamination or must be indicated with the CRU Director's signature affixed at the end of the order or action.

It should be noted that while an examiner who examined an earlier concluded reexamination proceeding is generally excluded from assignment of a newly filed reexamination, if the earlier reexamination is still ongoing, the same examiner will generally be assigned the new reexamination.

Copending reissue and reexamination proceedings:

(A) When a reissue application is pending for a patent, and a reexamination request is filed under [35 U.S.C. 302](#) for the same patent, the reexamination request is generally assigned to an examiner who did not examine the original patent application even if the examiner who examined the patent application is also examining the reissue application. If the reexamination request is granted and the reissue and reexamination proceedings are later merged (see [MPEP § 2285](#)), the merged proceeding will be handled (upon return of the files from the Office of Patent Legal Administration (OPLA)) by the examiner who is handling the reissue application. However, if that examiner was involved in any part of the examination of the patent for which reexamination is requested (e.g., by preparing/signing an action), or was involved in the examination of the parent application of the patent, a different examiner will be assigned. In this instance, the reissue application would be transferred (reassigned) from the originally assigned examiner.

(B) When a reexamination proceeding is pending for a patent, and a reissue application is filed for the same patent:

(1) Where reexamination has already been ordered (granted) in the reexamination proceeding, OPLA should be notified as promptly as possible after the reissue application is available for docketing, that the proceedings are ready for consideration of merger. If any of the reexamination file, the reissue application, and the patent file are paper files, they should be scanned into the Image File Wrapper (IFW) at the time of the notification to OPLA. If the reissue and reexamination proceedings are merged by OPLA, the reissue application will generally be assigned to the examiner who would ordinarily handle the reissue application. However, if that examiner was involved in any part of the examination of patent for which reexamination is requested (e.g., by preparing/signing an action), or was so involved in the examination of the parent application of the patent, a different examiner will be assigned. If the reissue and reexamination proceedings are not merged by OPLA, the decision will provide guidance as to assignment of the reissue proceeding depending on the individual fact situation.

(2) If reexamination has not yet been ordered (granted) in the reexamination proceeding, the Supervisory Patent Reexamination Specialist (SPRS) will ensure that the reissue application is not assigned nor acted on, and the decision on the reexamination request under [35 U.S.C. 302](#) will be made. If reexamination is denied, the reexamination proceeding will be concluded pursuant to [MPEP § 2294](#), and the reissue application assigned in accordance with [MPEP § 1440](#). If reexamination is granted, the SPRS will await the filing of any statement under [37 CFR 1.530](#) and any reply under [37 CFR 1.535](#), or the expiration of the time for same (see [MPEP § 2249 – § 2251](#)), and then OPLA should be promptly notified that the proceedings are ready for consideration of merger. If any of the reexamination file, the reissue application, and the patent file are paper files, they should be scanned into the Image File Wrapper (IFW) at the time of the notification to OPLA. If the reissue and reexamination proceedings are merged by OPLA, the reissue application will generally be assigned (upon return of the files from OPLA) to the examiner who ordinarily handles the reissue application.

However, if that examiner was involved in any part of the examination of the patent for which reexamination is requested (e.g., by preparing/signing an action), or was so involved in the examination of the parent application of the patent, a different examiner will be assigned. If the reissue and reexamination proceedings are not merged by OPLA, the decision may provide guidance as to assignment of the reissue proceeding, if necessary, depending on the individual fact situation.

II. CONSEQUENCES OF INADVERTENT ASSIGNMENT TO AN “ORIGINAL EXAMINER”

Should a reexamination be inadvertently assigned to an “original examiner” (in a situation where the TC or CRU Director’s approval is not stated in the decision on the request), the patent owner or the third party requester who objects must promptly file a paper alerting (notifying) the Office of this fact. Any paper alerting (notifying) the Office to the assignment to an “original examiner” must be filed within two months of the first Office action or other Office communication indicating the examiner assignment, or reassignment based on the objection will not be considered. Reassignment of the reexamination to a different examiner will be addressed on a case-by-case basis. In no event will the assignment to the original examiner, by itself, be grounds for vacating any Office decision(s) or action(s) and “restarting” the reexamination.

A situation may arise where a party timely (i.e., within the two months noted above) files a paper alerting (notifying) the Office to the assignment of a reexamination to the “original examiner,” but that paper does not have a right of entry under the rules. An example of this is where a third party requester becomes aware of the assignment to the “original examiner” via that examiner signing the order for reexamination, and the patent owner does not file a statement under [37 CFR 1.530](#). In that situation, the third party requester cannot file a reply under [37 CFR 1.535](#), and thus has no way to present the paper directed to the examiner assignment (no right of entry under the rules). In situations where a paper directed to the examiner assignment has no right of entry under the rules, the Office may waive the rules

to the extent that the paper directed to the examiner assignment will be entered and considered.

2237 Transfer Procedure [R-07.2015]

Although the number of reexamination requests which must be transferred should be very small, the following procedures have been established for an expeditious resolution of any such problems.

A reexamination request is normally assigned to a Central Reexamination Unit (CRU) art unit which examines the technology (Chemical, Electrical, Mechanical, etc.) in which the patent to be reexamined is currently classified as an original. If the CRU Supervisory Patent Reexamination Specialist (SPRS) (to whose art unit the reexamination has been assigned) believes that the reexamination should be assigned to another art unit, he or she must obtain the consent of the CRU SPRS of the art unit to which a transfer is desired. Pursuant to [35 U.S.C. 305](#), all *ex parte* reexamination proceedings must be conducted with special dispatch within the Office. This applies to the transfer of reexamination proceedings. Accordingly, the CRU SPRS to whose art unit the reexamination has been assigned should expeditiously make any request for transfer of a reexamination proceeding to the CRU SPRS of the art unit to which a transfer is desired (the “new” art unit). Any conflict which cannot be resolved by the SPRSs will be resolved by the CRU Director.

If the “new” art unit accepts assignment of the reexamination request, the “new” CRU SPRS assigns the request to an examiner in that unit.

2238 Time Reporting [R-11.2013]

It is essential that all time expended on reexamination activities be reported accurately. Thus, all USPTO personnel should report all time spent on reexamination on their individual Time and Attendance Reports. Even activities such as supervision, copying, typing, and docketing should be included.

2239 Reexamination Ordered at the Director's Initiative [R-07.2015]

37 CFR 1.520 Ex parte reexamination at the initiative of the Director.

The Director, at any time during the period of enforceability of a patent, may determine whether or not a substantial new question of patentability is raised by patents or printed publications which have been discovered by the Director or which have been brought to the Director's attention, even though no request for reexamination has been filed in accordance with [§ 1.510](#) or [§ 1.913](#). The Director may initiate *ex parte* reexamination without a request for reexamination pursuant to [§ 1.510](#) or [§ 1.913](#). Normally requests from outside the Office that the Director undertake reexamination on his own initiative will not be considered. Any determination to initiate *ex parte* reexamination under this section will become a part of the official file of the patent and will be mailed to the patent owner at the address as provided for in [§ 1.33\(c\)](#).

The Director of the USPTO may initiate reexamination without a request being filed and without a fee being paid. Such reexamination may be ordered at any time during the period of enforceability of the patent.

A decision to order reexamination at the Director's initiative is, however, rare. Only in compelling circumstances, after a review of all the facts concerning the patent, would such a decision be made. Authority to order reexamination at the Director's initiative has been delegated to the Deputy Commissioner for Patent Examination Policy. A decision to order reexamination at the Director's initiative may also be made by the Director of the USPTO, the Deputy Director or the Commissioner for Patents.

If an Office employee becomes aware of an unusual fact situation in a patent which he or she considers to clearly warrant reexamination, a memorandum setting forth these facts (including a proposed rejection of all appropriate claims) should be forwarded to the Office of Patent Legal Administration (OPLA) through the Central Reexamination Unit (CRU) or Technology Center (TC) supervisory chain of command.

If an order to reexamine is to be issued, the decision is prepared in OPLA in cooperation with the CRU or other appropriate Technology Center. The decision is signed by the Deputy Commissioner for

Patent Examination Policy and mailed by the CRU. The CRU technical support staff will prepare a reexamination file and *Official Gazette* notice. Examination and prosecution will then proceed without further communication with anyone but the patent owner.

If the Deputy Commissioner for Patent Examination Policy refuses to issue an order for reexamination, no record of any consideration of the matter will be maintained in the patent file or anywhere else in the Office, and the patent owner will not be notified.

The Director of the USPTO will not normally consider requests to order reexamination at the Director's initiative received from members of the public. If a member of the public desires reexamination of a patent, a request and fee should be filed in accordance with [37 CFR 1.510](#).

2240 Decision on Request Filed under 35 U.S.C. 302 [R-07.2015]

35 U.S.C. 303 Determination of issue by Director.

(a) Within three months following the filing of a request for reexamination under the provisions of [section 302](#), the Director will determine whether a substantial new question of patentability affecting any claim of the patent concerned is raised by the request, with or without consideration of other patents or printed publications. On his own initiative, and any time, the Director may determine whether a substantial new question of patentability is raised by patents and publications discovered by him or cited under the provisions of [section 301](#) or [302](#) of this title. The existence of a substantial new question of patentability is not precluded by the fact that a patent or printed publication was previously cited by or to the Office or considered by the Office.

(b) A record of the Director's determination under subsection (a) of this section will be placed in the official file of the patent, and a copy promptly will be given or mailed to the owner of record of the patent and to the person requesting reexamination, if any.

(c) A determination by the Director pursuant to subsection (a) of this section that no substantial new question of patentability has been raised will be final and nonappealable. Upon such a determination, the Director may refund a portion of the reexamination fee required under [section 302](#).

37 CFR 1.515 Determination of the request for ex parte reexamination.

(a) Within three months following the filing date of a request for an *ex parte* reexamination, an examiner will consider the request and determine whether or not a substantial new question of patentability affecting any claim of the patent is raised by the request and the prior art cited therein, with or without consideration of other patents or printed publications.

A statement and any accompanying information submitted pursuant to [§ 1.501\(a\)\(2\)](#) will not be considered by the examiner when making a determination on the request. The examiner's determination will be based on the claims in effect at the time of the determination, will become a part of the official file of the patent, and will be given or mailed to the patent owner at the address provided for in [§ 1.33\(c\)](#) and to the person requesting reexamination.

(b) Where no substantial new question of patentability has been found, a refund of a portion of the fee for requesting *ex parte* reexamination will be made to the requester in accordance with [§ 1.26\(c\)](#).

(c) The requester may seek review by a petition to the Director under [§ 1.181](#) within one month of the mailing date of the examiner's determination refusing *ex parte* reexamination. Any such petition must comply with [§ 1.181\(b\)](#). If no petition is timely filed or if the decision on petition affirms that no substantial new question of patentability has been raised, the determination shall be final and nonappealable.

Before making a determination on the request for reexamination filed under [35 U.S.C. 302](#), a litigation search from the Technical Support Staff (TSS) of the Central Reexamination Unit (CRU) or the Scientific and Technical Information Center (STIC) must be done to check if the patent has been, or is, involved in litigation. The "Litigation Review" box on the reexamination IFW file jacket form (RXFILJKT) should be completed to indicate that the review was conducted and the results thereof. A copy of the litigation search and the reexamination file jacket form are scanned into the IFW reexamination file history. In the rare instance where the record of the reexamination proceeding or the litigation search indicates that additional information is desirable, guidance as to making an additional litigation search may be obtained from the library of the Office of the Solicitor. If the patent is or was involved in litigation, and a paper referring to the court proceeding has been filed, reference to the paper by number should be made in the "Litigation Review" box on the reexamination IFW file jacket form as, for example, "litigation; see paper filed 7-14-2005." If a litigation records search is already noted on the file, the examiner need not repeat or update it before making a determination on the request.

If litigation has concluded or is taking place in the patent on which a request for reexamination has been filed, the request must be promptly brought to the attention of the Central Reexamination Unit (CRU) Supervisory Patent Reexamination Specialist

(SPRS), who should review the decision on the request and any examiner's action to ensure that it conforms to the current Office litigation policy and guidelines. See [MPEP § 2286](#).

[35 U.S.C. 303](#) requires that within 3 months following the filing of a request for reexamination filed under [35 U.S.C. 302](#), the Director of the USPTO will determine whether or not the request raises a "substantial new question of patentability" affecting any claim of the patent of which reexamination is desired. See also [MPEP § 2241](#). Such a determination may be made with or without consideration of other patents or printed publications in addition to those cited in the request. No input from the patent owner is considered prior to the determination, unless the patent owner filed the request. See *Patlex Corp. v. Mossinghoff*, 771 F.2d 480, 226 USPQ 985 (Fed. Cir. 1985).

The patent claims in effect at the time of the determination will be the basis for deciding whether a substantial new question of patentability has been raised. [37 CFR 1.515\(a\)](#). Amendments which (1) have been presented with the request if filed under [35 U.S.C. 302](#) by the patent owner, (2) have been filed in a pending reexamination proceeding in which the certificate has not been issued, or (3) have been submitted in a reissue application on which no reissue patent has been issued, will not be considered or commented upon when deciding requests.

The decision on the request for reexamination filed under [35 U.S.C. 302](#) has as its object either the granting or denial of an order for reexamination. This decision is based on whether or not "a substantial new question of patentability" is found. A determination as to patentability/unpatentability of the claims is not made in the decision on the request; rather, this determination will be made during the examination stage of the reexamination proceedings if reexamination is ordered. Accordingly, no *prima facie* case of unpatentability need be found to grant an order for reexamination. If a decision to deny an order for reexamination is made, the requester may seek review by a petition under [37 CFR 1.181](#). See [37 CFR 1.515\(c\)](#). See [MPEP § 2248](#). It should be noted that a decision to deny the request for reexamination is equivalent to a final holding (subject only to a petition pursuant

to [37 CFR 1.515\(c\)](#) for review of the denial) that the request failed to raise a substantial new question of patentability based on the cited art (patents and printed publications).

It is only necessary to establish that a substantial new question of patentability exists as to one of the patent claims in order to grant reexamination. The Office's determination in both the order for reexamination and the examination stage of the reexamination ordered under [35 U.S.C. 304](#) will generally be limited solely to a review of the claim(s) for which reexamination was requested. If the requester was interested in having all of the claims reexamined, requester had the opportunity to include them in its request for reexamination. However, if the requester chose not to do so, those claim(s) for which reexamination was not requested will generally not be reexamined by the Office. It is further noted that [35 U.S.C. 302](#) requires that "[t]he request must set forth the pertinency and manner of applying cited prior art to every claim for which reexamination is requested." If the requester fails to apply the art to certain claims, then the requester is not statutorily entitled to reexamination of such claims. If a requester chooses not to request reexamination for a claim, and thus fails to set forth the pertinency and manner of applying the cited art to that claim as required by [37 CFR 1.510\(b\)](#), that claim will generally not be reexamined. The decision to reexamine any claim for which reexamination has not been requested under [35 U.S.C. 302](#) lies within the sole discretion of the Office, to be exercised based on the individual facts and situation of each individual case. If the Office chooses to reexamine any claim for which reexamination has not been requested under [35 U.S.C. 302](#), it is permitted to do so. In addition, the Office may always initiate a reexamination on its own initiative of the non-requested claim ([35 U.S.C. 303\(a\)](#)). See *Sony Computer Entertainment America Inc. v. Dudas*, 85 USPQ2d 1594 (E.D. Va 2006). It is to be noted that if a request fails to set forth the pertinency and manner of applying the cited art to any claim for which reexamination is requested as required by [37 CFR 1.510\(b\)](#), a filing date will not be awarded to the request. See [MPEP § 2217](#) and [§ 2227](#).

One instance where reexamination was carried out only for the claims requested occurred in

reexamination control numbers 95/000,093 and 95/000,094, where reexamination was requested for patent claims which were being litigated, but not for claims which were not being litigated. In that instance, the entirety of the reexamination was limited to the claims for which reexamination was requested, and which were also being litigated. The Office's authority to carry out reexamination only for the claims for which reexamination was requested in reexamination control numbers 95/000,093 and 95/000,094 was confirmed by the court in *Sony, supra*. See also [MPEP § 2242](#) for the situation where there was a prior final federal court decision as to the invalidity/unenforceability of some of the claims, as another example of non-examination of some of the patent claims in a reexamination proceeding.

The decision on the request for reexamination should discuss all of the patent claims requested for reexamination. The examiner should limit the discussion of those claims in the order for reexamination as to whether a substantial new question of patentability has been raised. The examiner SHOULD NOT reject claims in the order for reexamination. Rather, any rejection of the claims will be made in the first Office action (on the patentability of the claims) that is issued after the expiration of the time for submitting any patent owner statement and requester reply that follow the examiner's order.

A patent owner claim scope statement and any accompanying information submitted pursuant to [37 CFR 1.501\(a\)\(2\)](#) will not be considered by the examiner when making the determination of whether to order *ex parte* reexamination under [35 U.S.C. 304](#). This is so, because [35 U.S.C. 301\(d\)](#) provides that a written statement submitted pursuant to [35 U.S.C. 301\(a\)\(2\)](#), and additional information submitted pursuant to [35 U.S.C. 301\(c\)](#) are not to be considered by the Office for any purpose other than to determine the proper meaning of a patent claim in a proceeding that is ordered pursuant to [35 U.S.C. 304](#). In making the determination of whether to order reexamination, the Office will determine the proper meaning of the patent claims by giving the claims their broadest reasonable interpretation consistent with the specification (see *In re Yamamoto*, 740 F.2d 1569 (Fed. Cir. 1984)), except in the case of an expired patent (in a reexamination

involving claims of an expired patent, claim construction is pursuant to the principle set forth by the court in *Phillips v. AWH Corp.*, 415 F.3d 1303, 1316, 75 USPQ2d 1321, 1329 (Fed. Cir. 2005) (words of a claim “are generally given their ordinary and customary meaning” as understood by a person of ordinary skill in the art in question at the time of the invention, see *Ex parte Papst-Motoren*, 1 USPQ2d 1655 (Bd. Pat. App. & Inter. 1986)). If reexamination is ordered, the patent owner statement, if applicable, and any accompanying information submitted pursuant to [37 CFR 1.501\(a\)\(2\)](#) will be considered during the examination stage to the fullest extent possible when determining the scope of any claims of the patent which are subject to reexamination.

The examiner should indicate, insofar as possible, his or her initial position on all the issues identified in the request filed under [35 U.S.C. 302](#) or by the requester so that comment thereon may be received in the patent owner’s statement and in the requester’s reply.

The Director of the USPTO has the authority to order reexamination only for a request which raises a substantial new question of patentability. The substantial new question of patentability requirement protects patentees from having to respond to, or participate in unjustified reexaminations. *Patlex Corp. v. Mossinghoff*, 771 F.2d 480, 226 USPQ 985 (Fed. Cir. 1985).

I. REQUEST FOR REEXAMINATION OF THE PATENT AFTER REISSUE OF THE PATENT

Where a request for reexamination is filed on a patent after a reissue patent for that patent has already issued, reexamination will be denied, because the patent on which the request for reexamination is based has been surrendered. Should reexamination of the reissued patent be desired, a new request for reexamination, including and based on the specification and the claims of the reissue patent, must be filed. Where the reissue patent issues after the filing of a request for reexamination, see [MPEP § 2285](#).

II. SECOND OR SUBSEQUENT REQUEST FILED UNDER 35 U.S.C. 302 DURING REEXAMINATION

If a second or subsequent request for *ex parte* reexamination is filed (by any party) under [35 U.S.C. 302](#) while a first *ex parte* reexamination is pending, the presence of a substantial new question of patentability depends on the prior art (patents and printed publications) cited by the second or subsequent requester. If the requester includes in the second or subsequent request prior art which raised a substantial new question in the pending reexamination, reexamination should be ordered only if the prior art cited raises a substantial new question of patentability which is different from that raised in the pending reexamination proceeding. If the prior art cited raises the same substantial new question of patentability as that raised in the pending reexamination proceedings, the second or subsequent request should be denied.

Where the request raises a different substantial new question of patentability as to some patent claims, but not as to others, the request would be granted in part; see the orders issued in reexamination control number 90/007,843 and 90/007,844.

The second or subsequent request for reexamination under [35 U.S.C. 302](#) may provide information raising a substantial new question of patentability with respect to any new or amended claim which has been proposed under [37 CFR 1.530\(d\)](#) in the first (or prior) pending reexamination proceeding. However, in order for the second or subsequent request for reexamination to be granted, the second or subsequent requester must independently provide a substantial new question of patentability which is **different from** that raised in the pending reexamination for **the claims in effect at the time of the determination**. The decision on the second or subsequent request is based on the claims in effect at the time of the determination ([37 CFR 1.515\(a\)](#)). Thus, the second or subsequent request must be directed to the claims of the patent, as modified by any disclaimer, or by any reexamination certificate that has issued as of the time of the determination. If a “different” substantial new question of patentability is not provided by the second or subsequent request for the claims in effect at the time of the determination, the second or subsequent

request for reexamination must be denied since the Office is only authorized by statute to grant a reexamination proceeding based on a substantial new question of patentability “affecting any claim of the patent.” See [35 U.S.C. 303](#). Accordingly, there must be at least one substantial new question of patentability established for the existing claims in the patent in order to grant reexamination.

Once the second or subsequent request has provided a “different” substantial new question of patentability based on the claims in effect at the time of the determination, the second or subsequent request for reexamination may also provide information directed to any proposed new or amended claim in the pending reexamination, to permit examination of the entire patent package. The information directed to a proposed new or amended claim in the pending reexamination is addressed during the later filed reexamination (where a substantial new question of patentability is raised in the later filed request for reexamination for the existing claims in the patent), in order to permit examination of the entire patent package. When a proper basis for the second or subsequent request for reexamination is established, it would be a waste of resources to prevent addressing the proposed new or amended claims, by requiring parties to wait until the certificate issues for the proposed new or amended claims, and only then to file a new reexamination request challenging the claims as revised via the certificate. This also prevents a patent owner from simply amending all the claims in some nominal fashion to preclude a subsequent reexamination request during the pendency of the reexamination proceeding.

In certain situations, after a grant of a second or subsequent request for *ex parte* reexamination, where (A) the patent owner files a petition under [37 CFR 1.182](#) as part of the statement or as the statement, and (B) it appears clear that the second or subsequent request was filed for purposes of harassment of the patent owner, if the petition is granted, prosecution on the second or subsequent reexamination would be suspended. Merger of such a second or subsequent request with the already pending reexamination proceeding(s) would unduly prolong the conclusion of the pending reexamination and be inconsistent with the requirement that

reexamination proceeding be conducted with special dispatch.

If the second or subsequent requester does not include the prior art which raised a substantial new question of patentability in the pending reexamination, reexamination may or may not be ordered depending on whether the different prior art raises a substantial new question of patentability. The second or subsequent request should be determined on its own merits without reference to the pending reexamination.

For additional treatment of cases in which a first *ex parte* reexamination is pending at the time a second or subsequent request for *ex parte* reexamination is to be decided, see [MPEP § 2283](#).

For additional treatment of cases in which either the first or subsequent request for reexamination, or both, is/are an *inter partes* reexamination proceeding, see [MPEP § 2640](#) and [§ 2686.01](#).

2241 Time for Deciding Request Filed under 35 U.S.C. 302 [R-07.2015]

The determination of whether or not to reexamine must be made within 3 months following the filing date of a request. See [35 U.S.C. 303\(a\)](#) and [37 CFR 1.515\(a\)](#). If the 3-month period ends on a Saturday, Sunday, or federal holiday within the District of Columbia, then the determination must be mailed by the **preceding** business day. See the last portion of [MPEP § 2240](#) and also see [MPEP § 2283](#) for multiple copending reexamination proceedings. A determination to reexamine may be made at any time during the period of enforceability of a patent.

2242 Criteria for Deciding Request Filed under 35 U.S.C. 302 [R-08.2017]

I. SUBSTANTIAL NEW QUESTION OF PATENTABILITY

The presence or absence of “a substantial new question of patentability” determines whether or not reexamination is ordered. The meaning and scope of the term “a substantial new question of patentability” is not defined in the statute and must

be developed to some extent on a case-by-case basis, using the case law to provide guidance as will be discussed in this section.

If the prior art patents and printed publications raise a substantial question of patentability of at least one claim of the patent, then a substantial new question of patentability as to the claim is present, unless the same question of patentability has already been: (A) decided in a final holding of invalidity by a federal court in a decision on the merits involving the claim, after all appeals; (B) decided in an earlier concluded examination or review of the patent by the Office; or (C) raised to or by the Office in a pending reexamination or supplemental examination of the patent. If the request for reexamination includes issues involving [35 U.S.C. 325\(d\)](#), the examiner must bring such issues to the attention of the appropriate SPRS or the Director of the CRU. Inquiries from the public regarding the treatment of issues involving [35 U.S.C. 325\(d\)](#) in *ex parte* reexaminations should be referred to OPLA.

An earlier concluded examination or review of the patent is: (A) the original examination of the application which matured into the patent; (B) the examination of the patent in a reissue application that has resulted in a reissue of the patent; (C) the examination of the patent in an earlier concluded reexamination or supplemental examination; (D) the review of the patent in an earlier concluded trial by the Patent Trial and Appeal Board, such as a post-grant review, *inter partes* review, or covered business method review of the patent; or (E) any other contested Office proceeding which has been concluded and which involved the patent. The answer to the question of whether a “substantial new question of patentability” exists, and therefore whether reexamination may be had, is decided by the examiner, and the examiner’s determination may be reconsidered:

(a) If reexamination is denied – as set forth in [MPEP § 2248](#).

(b) If reexamination is granted – as set forth in [MPEP § 2246, subsection II](#).

A prior art patent or printed publication raises a substantial question of patentability where there is

a substantial likelihood that a reasonable examiner would consider the prior art patent or printed publication important in deciding whether or not the claim is patentable. If the prior art patents and/or publications would be considered important, then the examiner should find “a substantial new question of patentability” unless the same question of patentability has already been decided as to the claim in a final holding of invalidity by a federal court or by the Office in an earlier concluded examination or review of the patent, or unless the same question of patentability has been raised to or by the Office in a pending reexamination or supplemental examination of the patent. For example, the same question of patentability may have already been decided by the Office where the examiner finds the additional (newly provided) prior art patents or printed publications are merely cumulative to similar prior art already fully considered by the Office in an earlier concluded examination or review of the claim.

For “a substantial new question of patentability” to be present, it is only necessary that: (A) the prior art patents and/or printed publications raise a substantial question of patentability regarding at least one claim, i.e., the teaching of the (prior art) patents and printed publications is such that a reasonable examiner would consider the teaching to be important in deciding whether or not the claim is patentable; and (B) the same question of patentability as to the claim has not been decided by the Office in an earlier concluded examination or review of the patent, raised to or by the Office in a pending reexamination or supplemental examination of the patent, or decided in a final holding of invalidity (after all appeals) by a federal court in a decision on the merits involving the claim. If a reexamination proceeding was terminated/vacated without resolving the substantial question of patentability question, it can be re-presented in a new reexamination request. It is not necessary that a “*prima facie*” case of unpatentability exist as to the claim in order for “a substantial new question of patentability” to be present as to the claim. Thus, “a substantial new question of patentability” as to a patent claim could be present even if the examiner would not necessarily reject the claim as either fully anticipated by, or obvious in view of, the prior art patents or printed publications. As to the importance of the difference between “a substantial new question of

patentability” and a “*prima facie*” case of unpatentability see generally *In re Etter*, 756 F.2d 852, 857 n.5, 225 USPQ 1, 4 n.5 (Fed. Cir. 1985).

Note that the clarification of the legal standard for determining obviousness under [35 U.S.C. 103](#) in *KSR International Co. v. Teleflex Inc. (KSR)*, 550 U.S. 398, 82 USPQ2d 1385 (2007) does not alter the legal standard for determining whether a substantial new question of patentability exists. See the discussion in [MPEP § 2216](#).

Where a second or subsequent request for reexamination of a patent is made before the conclusion of an earlier filed reexamination proceeding pending (ongoing) for that patent, the second or subsequent request for reexamination may provide information raising a substantial new question of patentability with respect to any new or amended claim which has been proposed under [37 CFR 1.530\(d\)](#) in the ongoing pending reexamination proceeding. However, in order for the second or subsequent request for reexamination to be granted, the second or subsequent requester must independently provide a substantial new question of patentability which is **different from** that raised in the pending reexamination for **the claims in effect at the time of the determination**. The decision on the second or subsequent request is based on the claims in effect at the time of the determination ([37 CFR 1.515\(a\)](#)). Thus, the second or subsequent request must be directed to the claims of the patent, as modified by any disclaimer, or by any reexamination certificate that has issued as of the time of the determination. If a “different” substantial new question of patentability is not provided by the second or subsequent request for the claims in effect at the time of the determination, the second or subsequent request for reexamination must be denied since the Office is only authorized by statute to grant a reexamination proceeding based on a substantial new question of patentability “affecting any claim of the patent.” See [35 U.S.C. 303](#). Accordingly, there must be at least one substantial new question of patentability established for the existing claims in the patent in order to grant reexamination.

Once the second or subsequent request has provided a “different” substantial new question of patentability based on the claims in effect at the time of the

determination, the second or subsequent request for reexamination may also provide information directed to any proposed new or amended claim in the pending reexamination, to permit examination of the entire patent package. The information directed to a proposed new or amended claim in the pending reexamination is addressed during the later filed reexamination (where a substantial new question is raised in the later reexamination for the existing claims in the patent), in order to permit examination of the entire patent package. When a proper basis for the subsequent reexamination is established, it would be a waste of resources to prevent addressing the proposed new or amended claims, by requiring parties to wait until the certificate issues for the proposed new or amended claims, and only then to file a new reexamination request challenging the claims as revised via the certificate. This also prevents a patent owner from simply amending all the claims in some nominal fashion to preclude a subsequent reexamination request during the pendency of the reexamination proceeding.

II. POLICY IN SPECIFIC SITUATIONS

In order to further clarify the meaning of “a substantial new question of patentability” certain situations are outlined below which, if present, should be considered when making a decision as to whether or not “a substantial new question of patentability” is present. Any issues involving [35 U.S.C. 325\(d\)](#) raised in the request must be referred to the examiner’s SPRS or the director of the CRU. Any questions from the public regarding procedures in regard to issues involving [35 U.S.C. 325\(d\)](#) should be referred to the Office of Patent Legal Administration (OPLA).

A. Prior Favorable Decisions by the U.S. Patent and Trademark Office (Office) on the Same or Substantially Identical Prior Art in Relation to the Same Patent

A “substantial new question of patentability” is not raised by prior art presented in a reexamination request if the Office has previously considered (in an earlier concluded examination or review of the patent) the same question of patentability as to a patent claim favorable to the patent owner based on the same prior art patents or printed publications.

In re Recreative Technologies, 83 F.3d 1394, 38 USPQ2d 1776 (Fed. Cir. 1996).

In deciding whether to grant a request for reexamination of a patent, the examiner should check the patent's file history to ascertain whether any of the prior art now advanced by requester was previously cited/considered in an earlier concluded examination or review of the patent or has been raised to or by the Office in a pending reexamination or supplemental examination of the patent. For the sake of expediency, such art is referred to as "old art" throughout, since the term "old art" was coined by the Federal Circuit in its decision of *In re Hiniker*, 150 F.3d 1362, 1365-66, 47 USPQ2d 1523, 1526 (Fed. Cir. 1998).

In a decision to order reexamination made on or after November 2, 2002, reliance on old art does not necessarily preclude the existence of a substantial new question of patentability that is based exclusively on that old art. See Public Law 107-273, 116 Stat. 1758, 1899-1906 (2002), which expanded the scope of what qualifies for a substantial new question of patentability upon which a reexamination may be based. Determinations on whether a substantial new question of patentability exists in such an instance shall be based upon a fact-specific inquiry done on a case-by-case basis. For example, a substantial new question of patentability may be based solely on old art where the old art is being presented/viewed in a new light, or in a different way, as compared with its use in the earlier examination(s), in view of a material new argument or interpretation presented in the request. Such material new argument or interpretation may be based solely on claim scope of the patent being reexamined.

When it is determined that a substantial new question of patentability based solely on old art is raised, form paragraph 22.01.01 should be included in the order for reexamination.

¶ 22.01.01 Criteria for Applying Old Art as Sole Basis for Reexamination

The above [1] is based solely on patents and/or printed publications already cited/considered in an earlier concluded examination or review of the patent being reexamined, or has been raised to or by the Office in a pending reexamination or supplemental examination of the patent. On November 2, 2002,

Public Law 107-273 was enacted. Title III, Subtitle A, Section 13105, part (a) of the Act revised the reexamination statute by adding the following new last sentence to [35 U.S.C. 303\(a\)](#) and [312\(a\)](#):

"The existence of a substantial new question of patentability is not precluded by the fact that a patent or printed publication was previously cited by or to the Office or considered by the Office."

For any reexamination ordered on or after November 2, 2002, the effective date of the statutory revision, reliance on previously cited/considered art, i.e., "old art," does not necessarily preclude the existence of a substantial new question of patentability (SNQ) that is based exclusively on that old art. Rather, determinations on whether a SNQ exists in such an instance shall be based upon a fact-specific inquiry done on a case-by-case basis.

In the present instance, there exists a SNQ based solely on [2]. A discussion of the specifics now follows:

[3]

Examiner Note:

1. In bracket 1, insert "substantial new question of patentability" if the present form paragraph is used in an order granting reexamination (or a TC or CRU Director's decision on petition of the denial of reexamination). If this form paragraph is used in an Office action, insert "ground of rejection."
2. In bracket 2, insert the old art that is being applied as the sole basis of the SNQ. For example, "the patent to J. Doe" or "the patent to J. Doe when taken with the Jones publication" or "the combination of the patent to J. Doe and the Smith publication" could be inserted. Where more than one SNQ is presented based solely on old art, the examiner would insert all such bases for SNQ.
3. In bracket 3, for each basis identified in bracket 2, explain how and why that fact situation applies in the proceeding being acted on. The explanation could be for example that the old art is being presented/viewed in a new light, or in a different way, as compared with its use in the earlier examination(s), in view of a material new argument or interpretation presented in the request. See *Ex parte Chicago Rawhide Mfg. Co.*, 223 USPQ 351 (Bd. Pat. App. & Inter. 1984).
4. This form paragraph is only used the first time the "already cited/considered" art is applied, and is not repeated for the same art in subsequent Office actions.

See [MPEP § 2258.01](#) for a discussion of the use of "old art" in the examination stage of an ordered reexamination (as a basis for rejecting the patent claims).

B. Prior Adverse Decisions by the Office on the Same or Substantially Identical Prior Art in the Same Patent

A prior decision adverse to the patentability of a claim of a patent by the Office based upon prior art patents or printed publications would usually mean that “a substantial new question of patentability” is present. Such an adverse decision by the Office could, for example, arise from a reissue application which was abandoned after rejection of the claim and without disclaiming the patent claim.

C. Prior Adverse Reissue Application Final Decision by the Director of the USPTO or the Board Based Upon Grounds Other Than Patents or Printed Publications

Any prior adverse final decision by the Director of the USPTO or the Patent Trial and Appeal Board or Board of Patent Appeals and Interferences (Board), on an application seeking to reissue the same patent on which reexamination is requested will be considered by the examiner when determining whether or not a “substantial new question of patentability” is present. However, to the extent that such prior adverse final decision was based upon grounds other than patents or printed publications, the prior adverse final decision will not be a basis for determining whether or not a “substantial new question of patentability” is present.

D. Prior Favorable or Adverse Decisions on the Same or Substantially Identical Prior Art Patents or Printed Publications in Other Cases not Involving the Patent

While the Office would consider decisions involving substantially identical patents or printed publications in determining whether a “substantial new question of patentability” is raised, the weight to be given such decisions will depend upon the circumstances.

III. POLICY WHERE A FEDERAL COURT DECISION HAS BEEN ISSUED ON THE PATENT

A. Final Holding of Validity by the Courts

When the initial question as to whether the prior art raises a substantial new question of patentability as to a patent claim is under consideration, the existence of a final court decision of claim *validity* in view of the same or different prior art does not necessarily mean that no new question is present, because of the

different standards of proof employed by the federal district courts and the Office. While the Office may accord deference to factual findings made by the district court, the determination of whether a substantial new question of patentability exists will be made independently of the court’s decision on validity, because it is not controlling on the Office. See *In re Swanson et al.*, 540 F.3d 1368, 1378 (Fed. Cir. 2008), where the Federal Circuit approved of the Office’s interpretation in [MPEP § 2242](#). See also *In re Baxter International Inc.*, 678 F.3d 1357, 102 USPQ2d 1925 (Fed. Cir. 2012) (patent reexamination should take notice of a court decision but the Office need not come to the same conclusion as the court).

B. Nonfinal Holding of Invalidity or Unenforceability by the Courts

A *nonfinal* holding of claim *invalidity* or *unenforceability* will not be controlling on the question of whether a substantial new question of patentability is present.

C. Final Holding of Invalidity or Unenforceability by the Courts

A *final* holding of claim *invalidity* or *unenforceability*, after all appeals, is controlling on the Office. In such cases, a substantial new question of patentability would *not* be present as to the claims finally held invalid or unenforceable.

As to subsections A, B, and C above, see *Ethicon v. Quigg*, 849 F.2d 1422, 7 USPQ2d 1152 (Fed. Cir. 1988).

Any situations requiring clarification should be brought to the attention of the Office of Patent Legal Administration.

2243 Claims Considered in Deciding Request Filed under 35 U.S.C. 302 [R-07.2015]

The claims of the patent in effect at the time of the determination will be the basis for deciding whether “a substantial new question of patentability” is present. [37 CFR 1.515\(a\)](#). The Office’s determination in both the order for reexamination and the examination stage of the reexamination under

[35 U.S.C. 302](#) will generally be limited solely to a review of the claim(s) for which reexamination was requested. If the requester was interested in having all of the claims reexamined, requester had the opportunity to include them in its request for reexamination. However, if the requester chose not to do so, those claim(s) for which reexamination was not requested will generally not be reexamined by the Office. It is further noted that [35 U.S.C. 302](#) requires that “[t]he request must set forth the pertinency and manner of applying cited prior art to every claim for which reexamination is requested.” If the requester fails to apply the art to certain claims, then the requester is not statutorily entitled to reexamination of such claims. If a request fails to set forth the pertinency and manner of applying the cited art to any claim for which reexamination is requested as required by [37 CFR 1.510\(b\)](#), that claim will generally not be reexamined. The decision to reexamine any claim for which reexamination has not been requested under [35 U.S.C. 302](#) lies within the sole discretion of the Office, to be exercised based on the individual facts and situation of each individual case. If the Office chooses to reexamine any claim for which reexamination has not been requested under [35 U.S.C. 302](#), it is permitted to do so. In addition, the Office may always initiate a reexamination on its own initiative of the non-requested claim ([35 U.S.C. 303\(a\)](#)). Thus, while the examiner will ordinarily concentrate on those claims for which reexamination is requested, the finding of “a substantial new question of patentability” can be based upon a claim of the patent other than the ones for which reexamination is requested, if reexamination is requested under [35 U.S.C. 302](#). For example, the request filed under [35 U.S.C. 302](#) might seek reexamination of particular claims, but the examiner is not limited to those claims and can make a determination that “a substantial new question of patentability” is present as to other claims in the patent without necessarily finding “a substantial new question” with regard to the claims for which reexamination was requested.

The decision on the request for reexamination should discuss all of the patent claims requested for reexamination. The examiner should limit the discussion of those claims in the order for reexamination as to whether a substantial new question of patentability has been raised.

See [MPEP § 2242](#) for a discussion of patent claims which have been the subject of a prior decision.

Amendments and/or new claims presented in any copending reexamination or reissue proceeding for the patent to be reexamined will not (see [MPEP § 2240](#), subsection II.) be considered nor commented upon when deciding a request for reexamination.

2244 Prior Art on Which the Determination Is Based in Requests Filed under 35 U.S.C. 302 [R-07.2015]

The determination under [35 U.S.C. 303\(a\)](#) whether or not “a substantial new question of patentability” is present can be based upon any prior art patents or printed publications. [35 U.S.C. 303\(a\)](#) and [37 CFR 1.515\(a\)](#) provide that the determination on a request will be made “with or without consideration of other patents or printed publications,” i.e., other than those relied upon in the request. The examiner is not limited in making the determination based on the patents and printed publications relied on in the request. The examiner can find “a substantial new question of patentability” based upon the prior art patents or printed publications relied on in the request, a combination of the prior art relied on in the request and other prior art found elsewhere, or based entirely on different patents or printed publications. The primary source of patents and printed publications used in making the determination are those relied on in the request. For reexamination ordered on or after November 2, 2002, see [MPEP § 2242](#), subsection II.A. for a discussion of “old art.” The examiner can also consider any patents and printed publications of record in the patent file from submissions under [37 CFR 1.501](#) which are in compliance with [37 CFR 1.98](#) in making the determination. If the examiner believes that additional prior art patents and publications can be readily obtained by searching to supply any deficiencies in the prior art cited in the request, the examiner can perform such an additional search. Such a search should be limited to that area most likely to contain the deficiency of the prior art previously considered and should be made only where there is a reasonable likelihood that prior art can be found to supply any deficiency necessary to “a substantial new question of patentability.”

The determination should be made on the claims in effect at the time the decision is made ([37 CFR 1.515\(a\)](#)).

The Director of the USPTO has the authority to order reexamination only in those cases which raise a substantial new question of patentability. The substantial new question of patentability requirement protects patentees from having to respond to, or participate in unjustified reexaminations. See, e.g., *Patlex Corp. v. Mossinghoff*, 771 F.2d 480, 226 USPQ 985 (Fed. Cir. 1985).

2245 Processing of Decision [R-07.2015]

After the examiner has prepared the decision and proofread and signed the final version, the reexamination file and decision are forwarded to the Central Reexamination Unit (CRU) Legal Instrument Examiner (LIE) for coordinating the clerical processing carried out by the technical support staff.

A copy of the decision is then mailed to the patent owner and to any third party, along with any required copies of prior art documents. The signed copy of the decision and a copy of any prior art enclosed is made of record in the reexamination electronic file (file history).

2246 Decision Ordering Reexamination under 35 U.S.C. 304 [R-07.2015]

35 U.S.C. 304 Reexamination order by Director.

If, in a determination made under the provisions of [subsection 303\(a\)](#), the Director finds that a substantial new question of patentability affecting any claim of a patent is raised, the determination will include an order for reexamination of the patent for resolution of the question. The patent owner will be given a reasonable period, not less than two months from the date a copy of the determination is given or mailed to him, within which he may file a statement on such question, including any amendment to his patent and new claim or claims he may wish to propose, for consideration in the reexamination. If the patent owner files such a statement, he promptly will serve a copy of it on the person who has requested reexamination under the provisions of [section 302](#). Within a period of two months from the date of service, that person may file and have considered in the reexamination a reply to any statement filed by the patent owner. That person promptly will serve on the patent owner a copy of any reply filed.

37 CFR 1.525 Order for ex parte reexamination.

(a) If a substantial new question of patentability is found pursuant to [§ 1.515](#) or [§ 1.520](#), the determination will include an order for *ex parte* reexamination of the patent for resolution of the question. If the order for *ex parte* reexamination resulted from a petition pursuant to [§ 1.515\(c\)](#), the *ex parte* reexamination will ordinarily be conducted by an examiner other than the examiner responsible for the initial determination under [§ 1.515\(a\)](#).

(b) The notice published in the *Official Gazette* under [§ 1.11\(c\)](#) will be considered to be constructive notice and *ex parte* reexamination will proceed.

If a request for reexamination is granted, the examiner's decision granting the request will conclude that a substantial new question of patentability has been raised by (A) identifying all claims and issues, (B) identifying the patents and/or printed publications relied on, and (C) providing a brief statement of the rationale supporting each new question.

In the examiner's decision, the examiner must identify at least one substantial new question of patentability and explain how the prior art patents and/or printed publications raise such a question. The examiner should indicate, insofar as possible, his or her initial position on all the issues identified in the request or by the requester (without rejecting claims) so that comment thereon may be received in the patent owner's statement and in the requester's reply. The prior art relied on should be listed on a form PTO-892 if it is not already listed on a form PTO/SB/08A or 08B, or PTO/SB/42 (or on a form having a format equivalent to one of these forms) by the requester. A copy of a reference should be supplied only where it has not been previously supplied to the patent owner and requester.

As to each substantial new question of patentability identified in the decision, the decision should point out:

- (A) The prior art patents and printed publications which add some new teaching as to at least one claim;
- (B) What that new teaching is;
- (C) The claims that the new teaching is directed to;
- (D) That the new teaching was not previously considered nor addressed in the earlier concluded examination or review of the patent or a final holding of invalidity by a federal court, and was not raised

to or by the Office in a pending reexamination or supplemental examination of the patent;

(E) That the new teaching is such that a reasonable examiner would consider the new teaching to be important in deciding to allow the claim being considered; and

(F) Where the question is raised, or where it is not clear that a patent or printed publication pre-dates the patent claims, a discussion should be provided as to why the patent or printed publication is deemed to be available against the patent claims.

See [MPEP § 2247.01](#) for an example of a decision granting a request for reexamination.

In a simple case, the examiner may adopt the reasons provided by the requester in the discussion of the substantial new question of patentability.

The example in [MPEP § 2247.01](#) is drafted for the case where the “request indicates that Requester considers that Claims 1-3 are unpatentable over Smith taken with Jones.” There may, however, be a request **that does not indicate the claims to be unpatentable over the art**, but rather that a substantial new question of patentability is raised by the art. This may occur, for example, in a patent owner request filed to address prior art that raises a substantial new question of patentability but the claims are still patentable over the art. **In such an instance**, the decision on the request should not state that the “request indicates that Requester considers that Claims 1-3 are unpatentable over Smith taken with Jones.” Rather, it should state that the “request indicates that Requester considers that a substantial new question of patentability is raised as to Claims 1-3 based on Smith taken with Jones.”

In the decision on the request, the examiner will not decide, and no statement should be made as to, whether the claims are rejected over the patents and printed publications. The examiner does not decide the question of patentability of the claims in the decision on the request. The examiner only decides whether there is a substantial new question of patentability to grant the request to order reexamination.

If arguments are raised by a requester (third party or patent owner) as to grounds not based on the

patents or printed publications, such as those based on public use or sale, or abandonment under [35 U.S.C. 102\(c\)](#) for reexamination proceedings examined under the first-to-invent prior art regime, the examiner should note that such grounds are improper for reexamination under [35 U.S.C. 302](#) and are not considered or commented upon. See [37 CFR 1.552\(c\)](#).

The decision granting the request must set forth the time periods for the patent owner and requester to file their statement and any reply thereto.

Form paragraph 22.01 should be used at the beginning of each decision letter.

¶ 22.01 New Question of Patentability

A substantial new question of patentability affecting claim [1] of United States Patent Number [2] is raised by the request for *ex parte* reexamination.

Extensions of time under [37 CFR 1.136\(a\)](#) will not be permitted in these proceedings because the provisions of [37 CFR 1.136](#) apply only to “an applicant” and not to parties in a reexamination proceeding. Additionally, [35 U.S.C. 305](#) requires that *ex parte* reexamination proceedings “will be conducted with special dispatch” ([37 CFR 1.550\(a\)](#)). Extensions of time in *ex parte* reexamination proceedings are provided for in [37 CFR 1.550\(c\)](#).

Form paragraph 22.73 should be used at the end of each decision letter.

¶ 22.73 Correspondence and Inquiry as to Office Actions

All correspondence relating to this *ex parte* reexamination proceeding should be directed:

By EFS: Registered users may submit via the electronic filing system E F S - W e b , a t <https://efs.uspto.gov/efile/myportal/efs-registered>.

By Mail to: Mail Stop *Ex Parte* Reexam

Central Reexamination Unit

Commissioner for Patents

United States Patent & Trademark Office

P.O. Box 1450

Alexandria, VA 22313-1450

By FAX to: (571) 273-9900

Central Reexamination Unit

By hand: Customer Service Window

Randolph Building

401 Dulany Street

Alexandria, VA 22314

For EFS-Web transmissions, [37 CFR 1.8\(a\)\(1\)\(i\)\(C\) and \(ii\)](#) states that correspondence (except for a request for reexamination and a corrected or replacement request for reexamination) will be considered timely filed if (a) it is transmitted via the Office's electronic filing system in accordance with [37 CFR 1.6\(a\)\(4\)](#), and (b) includes a certificate of transmission for each piece of correspondence stating the date of transmission, which is prior to the expiration of the set period of time in the Office action.

Any inquiry concerning this communication should be directed to [1] at telephone number [2].

Examiner Note:

1. This form paragraph is used at the end of *ex parte* reexamination communications.
2. In bracket 1, insert the name of the examiner having charge of the proceeding.
3. In bracket 2, insert the examiner's telephone number.

I. PROCESS OF PREPARING THE DECISION ON THE REQUEST FILED UNDER 35 U.S.C. 302

After the reexamination file has been reviewed in the Central Reexamination Unit (CRU) to ensure that it is ready for examination, the reexamination proceeding will be assigned to an examiner.

In the event the CRU Reexamination Specialist (SPRS) believes that another Art Unit within the CRU should examine the reexamination file, see [MPEP § 2237](#) for procedures for transferring the reexamination file.

After the examiner receives the new reexamination file, the examiner will prepare for and set up a panel review conference as per [MPEP § 2271.01](#), to discuss the issuance of a decision on the request for reexamination. The examiner may prepare the decision on the request for reexamination, and, where applicable, (where the statement has been waived by patent owner - see [MPEP § 2249](#) "Waiver of Statement Program") the first Office action to accompany the decision after the conference, or may prepare the decision on the request for reexamination, and, where applicable, the first Office

action prior to the conference and revise it as needed after the conference.

If the conference confirms the examiner's preliminary decision to grant reexamination, the decision on the request for reexamination will be completed and signed by the examiner, with the two or more other conferees initialing the action (as "conferee") to indicate their presence in the conference. When ready, the examiner's decision processed and mailed. A transmittal form PTOL-465 with the third party requester's address will be completed, if a copy for mailing is not already available. The transmittal form PTOL-465 is used to forward copies of Office actions (and any references cited in the actions) to the third party requester. Whenever an Office action is issued, a copy of this form will be made and attached to a copy of the Office action. The use of this form removes the need to retype the third party requester's address each time a mailing is required. In conjunction with the mailing, any appropriate processing (e.g., PALM work, update scanning) is carried out by the staff of the CRU.

II. SEEKING REVIEW OF A FINDING OF A SUBSTANTIAL NEW QUESTION OF PATENTABILITY IN *EX PARTE* REEXAMINATION PROCEEDINGS UNDER 35 U.S.C. 302

A substantive determination by the Director of the USPTO to institute reexamination pursuant to a finding that the prior art patents or printed publications raise a substantial new question of patentability (SNQ) is not subject to review by the courts until a final agency decision in the reexamination proceeding has issued. See *Joy Mfg. Co. v. Nat'l Mine Serv. Co., Inc.*, 810 F.2d 1127, 1 USPQ2d 1627 (Fed. Cir. 1987); *Heinl v. Godici*, 143 F. Supp.2d 593 (E.D.Va. 2001). Note further the decision of *Patlex Corp. v. Quigg*, 680 F. Supp. 33, 35, 6 USPQ2d 1296, 1298 (D.D.C. 1988) (the legislative scheme leaves the Director's [35 U.S.C. 303](#) determination entirely to his or her discretion and not subject to judicial review until a final agency decision on the reexamination proceeding has issued).

A patent owner may challenge the correctness of the decision to grant an order for *ex parte* reexamination under [35 U.S.C. 304](#) on the basis that there is no SNQ by requesting reconsideration of the examiner's SNQ determination in a patent owner's statement under [37 CFR 1.530](#) discussing the SNQ raised in the reexamination order for the examiner's consideration. See [35 U.S.C. 304](#). When the examiner makes a rejection based in whole or in part on a reference (patent or printed publication) in an Office action, the patent owner may present a challenge to the examiner's SNQ determination by requesting reconsideration of the examiner's determination that the reference raises a SNQ and presenting appropriate arguments in the response to the Office action. See [37 CFR 1.111\(b\)](#) (the patent owner's response to an Office action must point out the supposed errors in the examiner's action and must reply to every ground of objection and rejection in the Office action). By presenting arguments regarding the SNQ to the examiner in the early stages of the proceeding, the patent owner helps the Office to resolve the issues quickly. For example, if the patent owner timely files a statement or response, and the examiner agrees with the patent owner that no SNQ has been raised in the *ex parte* reexamination proceeding, then the proceeding prosecution will be terminated or the reexamination order will be vacated (whichever is appropriate). However, if the examiner determines that the SNQ is proper, further review can be obtained by exhausting the patent owner's rights through the reexamination proceeding and ultimately seeking review before the Board - along with an appeal of any rejections. To obtain review of the SNQ issue, patent owner must include the SNQ issue and the appropriate arguments in its appeal brief to the Board.

In order to preserve the right to have the Board review the SNQ issue, a patent owner must have first requested reconsideration of the SNQ issue by the examiner. Accordingly, for *ex parte* reexamination proceedings ordered under [35 U.S.C. 304](#) on or after June 25, 2010, the patent owner may seek a final agency decision from the Board on the SNQ issue only if the patent owner has first requested reconsideration before the examiner (e.g., in a patent owner's statement under [37 CFR 1.530](#) or in a patent owner's response under [37 CFR 1.111](#))

and then seeks review of the examiner's SNQ determination before the Board. In its appeal brief, the patent owner is to clearly present the issue and arguments regarding the examiner's SNQ determination under a separate heading and identify the communication in which the patent owner first requested reconsideration before the examiner. (For *ex parte* reexamination proceedings ordered under [35 U.S.C. 304](#) prior to June 25, 2010, if the patent owner presents the SNQ issue in its appeal brief, the Board panel will review the procedural SNQ issue along with its review of any rejections in an appeal and will enter a final agency decision accordingly.) See [MPEP § 2274](#) for further discussion of the appeal process as to the SNQ issue.

Separate from the Board's consideration of the SNQ issue, a patent owner may file a petition under [37 CFR 1.181\(a\)\(3\)](#) to vacate an *ex parte* reexamination order as "*ultra vires*." Such petitions should be rare, and will be granted only in a situation where the USPTO acted in "brazen defiance" of its statutory authorization in granting the order for *ex parte* reexamination. See *Heinl*, 143 F. Supp. 2d at 601-02. These types of petitions to vacate an *ex parte* reexamination order are not decided by the Board, but are delegated to the Director of Central Reexamination Unit (CRU).

"Appropriate circumstances" under [37 CFR 1.181\(a\)\(3\)](#) exist to vacate the order granting reexamination where, for example:

- (A) the reexamination order under [35 U.S.C. 304](#) is facially not based on prior art patents or printed publications (this does not include a situation where the Office has given reasons why a reference is a prior art patent or printed publication, and patent owner disagrees, but rather would include, for example, a situation where reexamination is ordered based on [35 U.S.C. 112](#), with a reference used to support a new question as to [35 U.S.C. 112](#));
- (B) all claims of the patent for which reexamination was ordered were held to be invalid by a final decision of a federal court after all appeals;
- (C) reexamination was ordered for the wrong patent; or
- (D) reexamination was ordered based on a duplicate copy of the request.

There is no right to petition, as an "*ultra vires*" action by the Office, if the finding of a SNQ is based on reasons other than those urged by the requester (or based on less than all the grounds urged by the requester).

When a petition under [37 CFR 1.181](#) is filed to vacate a reexamination order under [35 U.S.C. 304](#), the third party requester (where one is present in the reexamination proceeding) may file a single submission in opposition to the petition. Because reexamination proceedings are conducted with special dispatch, [35 U.S.C. 305](#), any such opposition by the third party requester must be filed within two weeks of the date upon which a copy of the original [37 CFR 1.181](#) petition was served on the third party requester to ensure consideration. It is advisable that, upon receipt and review of the served copy of such a [37 CFR 1.181](#) petition which the third party requester intends to oppose, the requester should immediately place a courtesy telephone call to both the CRU support staff and the CRU SPRS to notify the Office that an opposition to the [37 CFR 1.181](#) petition will be filed. Whenever possible, filing of the opposition should be submitted electronically.

The filing of a [37 CFR 1.181](#) petition to vacate an *ultra vires* reexamination order is limited to a single submission, even if an opposition thereto is filed by a third party requester.

III. PRIOR ART SUBMITTED AFTER THE ORDER

Any prior art citations or written statements under [37 CFR 1.501](#) submitted after the date of the decision on the order are stored until the reexamination is concluded. Note [37 CFR 1.502](#) and [1.902](#). After the reexamination proceeding is concluded, the submission is entered in the patent file. Submissions filed after the date of an order for reexamination will not be considered by the examiner during the reexamination. See [MPEP § 2206](#).

2247 Decision under 35 U.S.C. 303 on Request for Reexamination filed Under 35 U.S.C. 302, Request Denied [R-07.2015]

The request for reexamination will be denied if a substantial new question of patentability is not found based on patents or printed publications.

If the examiner concludes that no substantial new question of patentability has been raised, the examiner should prepare a decision denying the reexamination request. Form paragraph 22.02 should be used as the introductory paragraph in a decision denying reexamination.

¶ 22.02 No New Question of Patentability

No substantial new question of patentability is raised by the request for reexamination and prior art cited therein for the reasons set forth below.

The decision denying the request will then indicate, for each patent and printed publication cited in the request, why the citation is:

(A) Cumulative to the teachings of the art cited in the earlier concluded examination or review of the patent, or raised to or by the Office in a pending reexamination or supplemental examination of the patent;

(B) Not available against the claims (e.g., the reference is not available as prior art because of its date or the reference is not a publication);

(C) Not important to a reasonable examiner in deciding whether any claim of the patent for which reexamination is requested is patentable, even though the citation is not cumulative and the citation is available against the claim; or

(D) One which was cited in the record of the patent and is barred by the guidelines set forth in [MPEP § 2242](#), subsection II. A.

The examiner should also, in the decision respond to the substance of each argument raised by the requester which is based on patents or printed publications. If arguments are presented as to grounds not based on prior art patents or printed publications, such as those based on public use or on sale under [35 U.S.C. 102\(b\)](#), or abandonment under [35 U.S.C. 102\(c\)](#) for reexamination proceedings examined under the first-to-invent prior art regime, the examiner should note that such grounds are improper for reexamination and are not considered or commented upon. See [37 CFR 1.552\(c\)](#).

See [MPEP § 2247.01](#) for an example of a decision denying a request for reexamination. The example in [MPEP § 2247.01](#) is drafted for the case where the

“request indicates that Requester considers that Claims 1-2 are unpatentable over Smith taken with Jones.” There may, however, be a request **that does not indicate the claims to be unpatentable over the art**, but rather that a substantial new question of patentability is raised by the art. This may occur, for example, in a patent owner request filed to address prior art that raises a substantial new question of patentability but the claims are still patentable over the art. **In such an instance**, the decision on the request should not state that the “request indicates that Requester considers that Claims 1-2 are unpatentable over Smith taken with Jones.” Rather, it should state that the “request indicates that Requester considers that a substantial new question of patentability is raised as to Claims 1-2 based on Smith taken with Jones.”

The decision denying a request for reexamination is processed for mailing by the Central Reexamination Unit (CRU), and the CRU will allow time for a petition seeking review of the examiner’s determination refusing reexamination. If such a petition is not filed within one (1) month of the examiner’s determination denying reexamination, the CRU then processes the reexamination file to provide the partial refund set forth in [37 CFR 1.26\(c\)](#) (the Office of Finance no longer processes reexamination proceedings for a refund). The reexamination proceeding is then given a 420 status. A copy of the PALM “Application Number Information” screen and the “Contents” screen is printed, the printed copy is annotated by adding the comment “PROCEEDING CONCLUDED,” and the annotated copy is then scanned into IFW using the miscellaneous letter document code.

The concluded reexamination file (electronic or paper) containing the request and the decision denying the request becomes part of the patent’s record.

PROCESS OF PREPARING THE DECISION DENYING THE REQUEST

If the examiner’s position is to deny reexamination, the examiner will prepare for and set up a panel review conference as per [MPEP § 2271.01](#), to discuss the issuance of a decision denying reexamination. The examiner may prepare the decision after the conference, or may prepare the decision and revise it as needed after the conference.

The conference will be conducted. If the conference confirms the examiner’s preliminary decision not to grant reexamination, the decision denying reexamination will be completed and signed by the examiner, with the two or more other conferees initialing the action (as “conferee”) to indicate their presence in the conference. A transmittal form PTOL-465 with the third party requester’s address will be completed, if a copy for mailing is not already available. The transmittal form PTOL-465 is used to forward the decision to the third party requester. The use of this form removes the need to retype the third party requester’s address each time a mailing is required. In conjunction with the mailing, any appropriate processing (e.g., PALM work, update scanning) is carried out by the staff of the CRU.

2247.01 Examples of Decisions on Request for Reexamination [R-11.2013]

Examples of decisions on requests for *ex parte* reexamination are provided below. The first example is a grant of an *ex parte* reexamination. The second example is a denial of an *ex parte* reexamination. The examiner should leave the paper number blank since IFW files do not have a paper number.

Example (1): Decision Granting Request for Reexamination

Order Granting Request For Ex Parte Reexamination	Control No. 90/999,999	Patent Under Reexamination 9,999,999
	Examiner John Doe	Art Unit 3998
<p>--The MAILING DATE of this communication appears on the cover sheet with the correspondence address--</p> <p>The request for <i>ex parte</i> reexamination filed <u>07 November 2013</u> has been considered and a determination has been made. An identification of the claims, the references relied upon, and the rationale supporting the determination are attached.</p> <p>Attachments: a) <input type="checkbox"/> PTO-892, b) <input checked="" type="checkbox"/> PTO/SB/08, c) <input type="checkbox"/> Other: _____</p> <p>1. <input checked="" type="checkbox"/> The request for <i>ex parte</i> reexamination is GRANTED.</p> <p style="text-align: center;">RESPONSE TIMES ARE SET AS FOLLOWS:</p> <p>For Patent Owner's Statement (Optional): TWO MONTHS from the mailing date of this communication (37 CFR 1.530 (b)). EXTENSIONS OF TIME ARE GOVERNED BY 37 CFR 1.550(c).</p> <p>For Requester's Reply (optional): TWO MONTHS from the date of service of any timely filed Patent Owner's Statement (37 CFR 1.535). NO EXTENSION OF THIS TIME PERIOD IS PERMITTED. If Patent Owner does not file a timely statement under 37 CFR 1.530(b), then no reply by requester is permitted.</p>		
Rex King 12 Seemore Street Any City, New York, 10001		
cc:Requester (if third party requester)		

U.S. Patent and Trademark Office
PTOL-471G(Rev. 01-13)

Office Action in *Ex Parte* Reexamination

Part of Paper No.

DECISION

A substantial new question of patentability affecting Claims 1 - 3 of United States Patent Number 9,999,999 to Key is raised by the request for reexamination.

Extensions of time under 37 CFR 1.136(a) will not be permitted in these proceedings because the provisions of 37 CFR 1.136 apply only to “an applicant” and not to parties in a reexamination proceeding. Additionally, Office policy requires that reexamination proceedings “will be conducted with special dispatch” (37 CFR 1.550(a)) and provides for extensions of time in reexamination proceedings as set forth in 37 CFR 1.550(c).

The patent owner is reminded of the continuing responsibility under 37 CFR 1.565(a), to apprise the Office of any litigation activity, or other prior or concurrent proceeding, involving Patent No. 9,999,999 throughout the course of this reexamination proceeding.

The request sets forth that Requester considers that Claims 1 - 3 are unpatentable over Smith taken with Jones.

The request further sets forth that Requester considers that Claim 4 is unpatentable over the Horn publication.

It is agreed that the consideration of Smith raises a substantial new question of patentability as to Claims 1 - 3 of the Key patent. As pointed out on pages 2 - 3 of the request, Smith teaches using an extruder supported on springs at a 30 degree angle to the horizontal but does not teach the specific polymer of Claims 1 - 3 which is extruded. The teaching as to spring-supporting the extruder at 30 degrees was not present in the prosecution of the application which became the Key patent. Further, there is a substantial likelihood that a reasonable examiner would consider this teaching important in deciding whether or not the claim is patentable. Accordingly, Smith raises a substantial new question of patentability as to Claims 1 - 3, which question has not been raised in a previous examination of the Key patent.

The Horn publication does not raise a new question of patentability as to Claim 4 because its teaching as to the extrusion die is a substantial equivalent of the teaching of the die by the Dorn patent which was considered in the prosecution of the application which became the Key patent. Accordingly, claim 4 will not be reexamined.

Finally, reexamination has not been requested for claims 5 – 20 of the Key patent. Accordingly, claims 5 – 20 will not be reexamined.

Claims 1 – 3 of the Key patent will be reexamined.

Example (2): Decision Denying Request for Reexamination

Order Denying Request For Ex Parte Reexamination	Control No. 90/999,999	Patent Under Reexamination 9,999,999
	Examiner John Doe	Art Unit 3998

--The MAILING DATE of this communication appears on the cover sheet with the correspondence address--

The request for *ex parte* reexamination filed 07 November 2013 has been considered and a determination has been made. An identification of the claims, the references relied upon, and the rationale supporting the determination are attached.

Attachments: a) PTO-892, b) PTO/SB/08, c) Other: _____

The request for *ex parte* reexamination is DENIED.

This decision is not appealable (35 U.S.C. 303(c)). Requester may seek review by petition to the Commissioner under 37 CFR 1.181 within ONE MONTH from the mailing date of this communication (37 CFR 1.515(c)). **EXTENSION OF TIME TO FILE SUCH A PETITION UNDER 37 CFR 1.181 ARE AVAILABLE ONLY BY PETITION TO SUSPEND OR WAIVE THE REGULATIONS UNDER 37 CFR 1.183.**

In due course, a refund under 37 CFR 1.26 (c) will be made to requester:

- a) by Treasury check or,
- b) by credit to Deposit Account No. _____, or
- c) by credit to a credit card account, unless otherwise notified (35 U.S.C. 303(c)).

Rex King 12 Seemore Street Any City, New York, 10001		
--	--	--

cc:Requester (if third party requester)
 U.S. Patent and Trademark Office
 PTOL-471D (Rev. 01-13) Office Action in *Ex Parte* Reexamination Part of Paper No.

DECISION

No substantial new question of patentability is raised by the request for reexamination and prior art cited therein for the reasons set forth below.

The request indicates that Requester considers that a substantial new question of patentability is raised as to Claims 1 - 2 based on Smith taken with Jones.

The request further indicates that Requester considers that a substantial new question of patentability is raised as to Claim 3 based on Smith taken with Jones and when further taken with the Horn publication.

The claims of the Key patent, for which reexamination is requested, require that an extruder be supported on springs at an angle of 30 degrees to the horizontal, while a specific chlorinated polymer is extruded through a specific extrusion die.

The Smith patent does not raise a substantial new question of patentability as to the Key claims. Smith's teaching as to the extruder being spring-supported at 30 degrees is a substantial equivalent of the teaching of same by the Dorn patent which was considered in the prosecution of the application which became the Key patent.

In the request for reexamination, it is argued that Jones teaches the extrusion die. However, Jones was also used in the prosecution of the Key application to teach the extrusion die.

The request argued that the Horn publication shows the connection of the support means to the extruder via bolts, as recited in Claim 3 of the Key patent. Although this teaching was not provided in the prosecution of the Key application, the teaching would not be considered to be important to a reasonable examiner in deciding whether or not the Key claims are patentable. The use of a bolt instead of a screw (which was taught by the art of record in the Key application) to provide the connection has not been shown in the request to be important in the context of attaching the support means to the extruder.

The references set forth in the request have been considered both alone and in combination. They fail to raise a substantial new question of patentability as to any one of the Key patent claims. Accordingly, the request for reexamination is DENIED.

2248 Petition From Denial of Request Filed Under 35 U.S.C. 302 [R-08.2017]

37 CFR 1.515 Determination of the request for ex parte reexamination.

(c) The requester may seek review by a petition to the Director under [§ 1.181](#) within one month of the mailing date of the examiner's determination refusing *ex parte* reexamination. Any such petition must comply with [§ 1.181\(b\)](#). If no petition is timely filed or if the decision on petition affirms that no substantial new question of patentability has been raised, the determination shall be final and nonappealable.

PROCESSING OF PETITION UNDER 37 CFR 1.515(c)

After a request for reexamination under [35 U.S.C. 302](#) has been denied, the Central Reexamination Unit (CRU) will allow time for a petition seeking review of the examiner's determination refusing reexamination. If a petition seeking review of the examiner's determination refusing reexamination is not filed within one (1) month of the examiner's determination, the CRU will then process the reexamination file as a concluded reexamination file. See [MPEP § 2247](#) and [§ 2294](#).

If a petition seeking review of the examiner's determination refusing reexamination is filed, it is brought to the attention of the CRU Director or designee for decision. Where a petition is filed, the CRU Director will review the examiner's determination that a substantial new question of patentability has not been raised. The CRU Director's review will be *de novo*. Each decision by the CRU Director will conclude with the paragraph:

This decision is final and nonappealable. See [35 U.S.C. 303\(c\)](#) and [37 CFR 1.515\(c\)](#). No further communication on this matter will be acknowledged or considered.

If the petition is granted, the decision of the CRU Director should include a sentence setting a two-month period for filing a statement under [37 CFR 1.530](#); the reexamination file will then be returned to the CRU Supervisory Patent Reexamination Specialist (SPRS) of the art unit that will handle the reexamination for consideration of reassignment to another examiner.

In the situation in which the examiner's determination failed to find any SNQ, reassignment will be the general rule. Only in exceptional circumstances, where no other examiner is available and capable to give a proper examination, will the case remain with the examiner who denied the request.

Under normal circumstances, the reexamination proceeding will not be reassigned to a primary

examiner or assistant examiner who was involved in any part of the examination of the patent for which reexamination is requested. Only where unusual circumstances are found to exist may the CRU Director make an exception to this practice and reassign the reexamination proceeding to an examiner involved with the examination of the patent. For example, if the original examiner of the patent and the examiner who issued the denial are the only examiners with adequate knowledge of the relevant technology, the CRU Director may permit reassignment of the reexamination proceeding to the examiner that originally examined the patent.

The requester may seek review of a *denial* of a request for reexamination only by petitioning the Director of the USPTO under [37 CFR 1.515\(c\)](#) and [1.181](#) within one month of the mailing date of the decision denying the request for reexamination. Additionally, any request for an extension of the time period to file such a petition from the examiner's denial of a request for reexamination can only be entertained by filing a petition under [37 CFR 1.183](#) with appropriate fee to waive the time provisions of [37 CFR 1.515\(c\)](#).

After the time for petition has expired without a petition having been filed, or a petition has been filed and the decision thereon affirms the denial of the request, a partial refund of the filing fee for requesting reexamination will be made to the requester. ([35 U.S.C. 303\(c\)](#) and [37 CFR 1.26\(c\)](#)). A decision on a petition under [37 CFR 1.515\(c\)](#) is final and is not appealable.

[37 CFR 1.515\(c\)](#) applies only to challenging a basis for refusing reexamination; it does not apply to challenging a basis for granting of reexamination. Even if an order grants reexamination, a petition under [37 CFR 1.515\(c\)](#) may be filed to challenge any refusal to reexamine a requested claim or a claim based on a requested basis, if applicable, as described below.

If an order granting reexamination includes a determination that the third party requester has not raised a substantial new question of patentability (SNQ) for one claim, but has raised a SNQ for at least one other claim, then third party requester may (within one month of the mailing date of the order)

file a petition under [37 CFR 1.515\(c\)](#) for reconsideration of the determination as to the claim for which no SNQ has been found to be raised.

Similarly, a petition under [37 CFR 1.181](#) may be filed (within one month of the mailing date of the order) requesting review of a determination granting a request for reexamination, if the determination grants the request as to a specific claim for some reasons (SNQs) advanced in the request but does not grant the request as to the claim for other reasons (SNQs) advanced in the request. A decision on such a petition is final and non-appealable. If no petition is timely filed, the determination shall be final and non-appealable. See, e.g., *Belkin Int'l, Inc. v. Kappos*, 696 F.3d 1379 (Fed. Cir. 2012).

2249 Patent Owner's Statement in Reexaminations Filed Under 35 U.S.C. 302 [R-08.2017]

37 CFR 1.530 Statement by patent owner in ex parte reexamination; amendment by patent owner in ex parte or inter partes reexamination; inventorship change in ex parte or inter partes reexamination.

(a) Except as provided in [§ 1.510\(e\)](#), no statement or other response by the patent owner in an *ex parte* reexamination proceeding shall be filed prior to the determinations made in accordance with [§ 1.515](#) or [§ 1.520](#). If a premature statement or other response is filed by the patent owner, it will not be acknowledged or considered in making the determination, and it will be returned or discarded (at the Office's option).

(b) The order for *ex parte* reexamination will set a period of not less than two months from the date of the order within which the patent owner may file a statement on the new question of patentability, including any proposed amendments the patent owner wishes to make.

(c) Any statement filed by the patent owner shall clearly point out why the subject matter as claimed is not anticipated or rendered obvious by the prior art patents or printed publications, either alone or in any reasonable combinations. Where the reexamination request was filed by a third party requester, any statement filed by the patent owner must be served upon the *ex parte* reexamination requester in accordance with [§ 1.248](#).

The patent owner has no right to file a statement subsequent to the filing of the request under [35 U.S.C. 302](#) but prior to the order for reexamination. Any such premature statement will not be acknowledged nor considered by the Office when making the decision on the request and will be returned or discarded at the option of the Office, and

will be expunged if inadvertently entered into the record. See [MPEP § 2225](#) and *Patlex Corp. v. Mossinghoff*, 771 F.2d 480, 226 USPQ 985 (Fed. Cir. 1985).

If reexamination is ordered under [35 U.S.C. 304](#), the decision will set a period of not less than two months within which period the patent owner may file a statement and any narrowing amendments to the patent claims. If necessary, an extension of time beyond the two months may be requested under [37 CFR 1.550\(c\)](#) by the patent owner. See [MPEP § 2265](#).

Any statement filed must clearly point out why the patent claims are believed to be patentable, considering the cited prior art patents or printed publications alone or in any reasonable combination.

A copy of the statement must be served by the patent owner on the requester, unless the request was filed by the patent owner.

Lack of proof of service especially poses a problem where the patent owner fails to indicate that service was made to the requester in the statement subsequent to the order for reexamination ([37 CFR 1.530\(c\)](#)). In this situation, the Central Reexamination Unit should immediately contact the patent owner to see whether the indication of proof of service was inadvertently omitted from the patent owner's response. If it was, the patent owner should be advised to submit a supplemental paper indicating the manner and date of service on requester. If the patent owner cannot be contacted, the Central Reexamination Unit will then contact the requester to verify that service has in fact been made by the patent owner and indicate that acknowledgment of proof of service should accompany requester's reply ([37 CFR 1.248\(b\)\(1\)](#)). If the 2-month period for response under [37 CFR 1.530](#) has expired and requester has not been served, the patent owner's statement is considered inappropriate ([37 CFR 1.248](#)) and may be denied consideration; see [MPEP § 2267](#).

See also [MPEP § 2266.03](#) for further discussion as to the patent owner providing service on the third party requester.

It should be noted that the period for response by requester for a reply under [37 CFR 1.535](#) is two months from the owner's service date and not two months from the date the patent owner's statement was received in the Office.

Where the patent owner has determined that a statement under [37 CFR 1.530](#) will not be filed, the patent owner may expedite the reexamination proceeding by filing a paper that indicates that the patent owner waives the filing of a statement under [37 CFR 1.530](#) and serving the waiver on the requester, if any. This will permit reexamination of the proceeding to proceed pursuant to [37 CFR 1.550\(a\)](#).

WAIVER OF STATEMENT PROGRAM

If the patent owner waives the right to file a patent owner's statement in response to a request from the Office, the examiner will be able to act on the first Office action on the merits immediately after determining that reexamination will be ordered under [35 U.S.C. 304](#), and in a suitable case issue the reexamination order and the first Office action on the merits at the same time (the first action may be a Notice of Intent to Issue Reexamination Certificate, where appropriate). This eliminates the delay of waiting for a patent owner's statement and the third-party requester's reply, and it permits the examiner to utilize time more efficiently by drafting the order and the first Office action on the merits together.

Accordingly, the Central Reexamination Unit (CRU) will contact, via telephone, the patent owner to request the optional waiver of the patent owner's statement after a reexamination proceeding under [35 U.S.C. 302](#) has been granted a filing date and before the examiner begins the review. The communication will be strictly limited to the CRU requesting the waiver of the patent owner's statement and agreement (or non-agreement) to the waiver by the patent owner. Discussion of the merits of the proceedings, e.g., the patentability of claims in patents, is not permitted. The CRU will make the agreement or non-agreement of record in the reexamination file in an interview summary, using form PTOL-2292 (*Ex Parte* Reexamination Interview Summary – Pilot Program for Waiver of

Patent Owner's Statement). A copy of the completed form will then be mailed to the patent owner and any third party requester. The patent owner is not required to file a written statement as to the communication under [37 CFR 1.560\(b\)](#) or otherwise, and such a statement should not be filed as it will slow the process. If the patent owner agrees to the waiver of the right to file a patent owner's statement, the examiner may issue the reexamination order and the first Office action on the merits on the same day as the order, or within a few days thereafter.

2250 Amendment by Patent Owner [R-08.2017]

37 CFR 1.121 Manner of making amendments in application.

(j) *Amendments in reexamination proceedings.* Any proposed amendment to the description and claims in patents involved in reexamination proceedings must be made in accordance with [§ 1.530](#).

37 CFR 1.530 Statement by patent owner in ex parte reexamination; amendment by patent owner in ex parte or inter partes reexamination; inventorship change in ex parte or inter partes reexamination.

(d) *Making amendments in a reexamination proceeding.* A proposed amendment in an *ex parte* or an *inter partes* reexamination proceeding is made by filing a paper directing that proposed specified changes be made to the patent specification, including the claims, or to the drawings. An amendment paper directing that proposed specified changes be made in a reexamination proceeding may be submitted as an accompaniment to a request filed by the patent owner in accordance with [§ 1.510\(e\)](#), as part of a patent owner statement in accordance with paragraph (b) of this section, or, where permitted, during the prosecution of the reexamination proceeding pursuant to [§ 1.550\(a\)](#) or [§ 1.937](#).

(1) *Specification other than the claims.* Changes to the specification, other than to the claims, must be made by submission of the entire text of an added or rewritten paragraph including markings pursuant to paragraph (f) of this section, except that an entire paragraph may be deleted by a statement deleting the paragraph, without presentation of the text of the paragraph. The precise point in the specification must be identified where any added or rewritten paragraph is located. This paragraph applies whether the amendment is submitted on paper or compact disc (*see* [§§ 1.96](#) and [1.825](#)).

(2) *Claims.* An amendment paper must include the entire text of each patent claim which is being proposed to be changed by such amendment paper and of each new claim being proposed to be added by such amendment paper. For any claim changed by the amendment paper, a parenthetical expression "amended," "twice amended," *etc.*, should follow the claim number. Each patent claim proposed to be changed and each proposed added claim must include markings pursuant to

paragraph (f) of this section, except that a patent claim or proposed added claim should be canceled by a statement canceling the claim, without presentation of the text of the claim.

(3) *Drawings.* Any change to the patent drawings must be submitted as a sketch on a separate paper showing the proposed changes in red for approval by the examiner. Upon approval of the changes by the examiner, only new sheets of drawings including the changes and in compliance with [§ 1.84](#) must be filed. Amended figures must be identified as “Amended,” and any added figure must be identified as “New.” In the event a figure is canceled, the figure must be surrounded by brackets and identified as “Canceled.”

(4) The formal requirements for papers making up the reexamination proceeding other than those set forth in this section are set out in [§ 1.52](#).

(e) *Status of claims and support for claim changes.* Whenever there is an amendment to the claims pursuant to paragraph (d) of this section, there must also be supplied, on pages separate from the pages containing the changes, the status (*i.e.*, pending or canceled), as of the date of the amendment, of all patent claims and of all added claims, and an explanation of the support in the disclosure of the patent for the changes to the claims made by the amendment paper.

(f) *Changes shown by markings.* Any changes relative to the patent being reexamined which are made to the specification, including the claims, must include the following markings:

(1) The matter to be omitted by the reexamination proceeding must be enclosed in brackets; and

(2) The matter to be added by the reexamination proceeding must be underlined.

(g) *Numbering of patent claims preserved.* Patent claims may not be renumbered. The numbering of any claims added in the reexamination proceeding must follow the number of the highest numbered patent claim.

(h) *Amendment of disclosure may be required.* The disclosure must be amended, when required by the Office, to correct inaccuracies of description and definition, and to secure substantial correspondence between the claims, the remainder of the specification, and the drawings.

(i) *Amendments made relative to patent.* All amendments must be made relative to the patent specification, including the claims, and drawings, which are in effect as of the date of filing the request for reexamination.

(j) *No enlargement of claim scope.* No amendment may enlarge the scope of the claims of the patent or introduce new matter. No amendment may be proposed for entry in an expired patent. Moreover, no amendment, other than the cancellation of claims, will be incorporated into the patent by a certificate issued after the expiration of the patent.

(k) *Amendments not effective until certificate.* Although the Office actions will treat proposed amendments as though they have been entered, the proposed amendments will not be effective until the reexamination certificate is issued and published.

37 CFR 1.52 Language, paper, writing, margins, compact disc specifications.

(a) *Papers that are to become a part of the permanent United States Patent and Trademark Office records in the file of a patent application, or a reexamination or supplemental examination proceeding.*

(1) All papers, other than drawings, that are submitted on paper or by facsimile transmission, and are to become a part of the permanent United States Patent and Trademark Office records in the file of a patent application or reexamination or supplemental examination proceeding, must be on sheets of paper that are the same size, not permanently bound together, and:

(i) Flexible, strong, smooth, non-shiny, durable, and white;

(ii) Either 21.0 cm by 29.7 cm (DIN size A4) or 21.6 cm by 27.9 cm (8 1/2 by 11 inches), with each sheet including a top margin of at least 2.0 cm (3/4 inch), a left side margin of at least 2.5 cm (1 inch), a right side margin of at least 2.0 cm (3/4 inch), and a bottom margin of at least 2.0 cm (3/4 inch);

(iii) Written on only one side in portrait orientation;

(iv) Plainly and legibly written either by a typewriter or machine printer in permanent dark ink or its equivalent; and

(v) Presented in a form having sufficient clarity and contrast between the paper and the writing thereon to permit the direct reproduction of readily legible copies in any number by use of photographic, electrostatic, photo-offset, and microfilming processes and electronic capture by use of digital imaging and optical character recognition.

(2) All papers that are submitted on paper or by facsimile transmission and are to become a part of the permanent records of the United States Patent and Trademark Office should have no holes in the sheets as submitted.

(3) The provisions of this paragraph and paragraph (b) of this section do not apply to the pre-printed information on paper forms provided by the Office, or to the copy of the patent submitted on paper in double column format as the specification in a reissue application or request for reexamination.

(4) See [§ 1.58](#) for chemical and mathematical formulae and tables, and [§ 1.84](#) for drawings.

(5) Papers that are submitted electronically to the Office must be formatted and transmitted in compliance with the Office's electronic filing system requirements.

(b) *The application (specification, including the claims, drawings, and the inventor's oath or declaration) or reexamination or supplemental examination proceeding, any amendments to the application or reexamination proceeding, or any corrections to the application, or reexamination or supplemental examination proceeding.*

(1) The application or proceeding and any amendments or corrections to the application (including any translation submitted pursuant to paragraph (d) of this section) or proceeding, except as provided for in [§ 1.69](#) and paragraph (d) of this section, must:

(i) Comply with the requirements of paragraph (a) of this section; and

(ii) Be in the English language or be accompanied by a translation of the application and a translation of any corrections or amendments into the English language together with a statement that the translation is accurate.

(2) The specification (including the abstract and claims) for other than reissue applications and reexamination or supplemental examination proceedings, and any amendments for applications (including reissue applications) and reexamination proceedings to the specification, except as provided for in §§ 1.821 through 1.825, must have:

(i) Lines that are 1 1/2 or double spaced;

(ii) Text written in a nonscript type font (e.g., Arial, Times Roman, or Courier, preferably a font size of 12) lettering style having capital letters which should be at least 0.3175 cm. (0.125 inch) high, but may be no smaller than 0.21 cm. (0.08 inch) high (e.g., a font size of 6); and

(iii) Only a single column of text.

(3) The claim or claims must commence on a separate physical sheet or electronic page (§ 1.75(h)).

(4) The abstract must commence on a separate physical sheet or electronic page or be submitted as the first page of the patent in a reissue application or reexamination or supplemental examination proceeding (§ 1.72(h)).

Amendments to the patent (one which has not expired) may be filed by the patent owner with the request under 35 U.S.C. 302. See MPEP § 2221. Such amendments, however, may not enlarge the scope of a claim of the patent or introduce new matter. Amended or new claims which broaden or enlarge the scope of a claim of the patent should be rejected under 35 U.S.C. 305. The test for when an amended or “new claim enlarges the scope of an original claim under 35 U.S.C. 305 is the same as that under the 2-year limitation for reissue applications adding enlarging claims under 35 U.S.C. 251, last paragraph.” *In re Freeman*, 30 F.3d 1459, 1464, 31 USPQ2d 1444, 1447 (Fed. Cir. 1994). See MPEP § 2258 for a discussion of enlargement of claim scope. For handling of new matter, see MPEP § 2270. Amendments proposed in a reexamination will normally be entered and be considered to be entered for purposes of prosecution before the Office (if they are timely and comply with the rules); however, the amendments do not become effective in the patent until the reexamination certificate under 35 U.S.C. 307 is issued and published.

No amendment will be permitted where the certificate issues after expiration of the patent. See 37 CFR 1.530(d)(3). The patent expiration date for a utility patent, for example, is determined by taking into account the term of the patent, whether maintenance fees have been paid for the patent, whether any disclaimer was filed as to the patent to shorten its term, any patent term extensions or adjustments for delays within the USPTO under 35 U.S.C. 154 (see MPEP § 2710 *et seq.*), and any patent term extensions under 35 U.S.C. 156 for premarket regulatory review (see MPEP § 2750 *et seq.*). Any other relevant information should also be taken into account.

Amendment Entry — Amendments which comply with 37 CFR 1.530(d)-(j) (and are formally presented pursuant to 37 CFR 1.52(a) and (b), and contain all fees required by 37 CFR 1.20(c)) will be entered in the reexamination file pursuant to the guidelines set forth in MPEP § 2234.

I. MANNER OF MAKING AMENDMENTS IN REEXAMINATION PROCEEDINGS

Amendments made in a reexamination proceeding must comply with the formal requirements of 37 CFR 1.52(a) and (b), as do all papers that are to become a part of the permanent USPTO file records in a patent application or proceeding. If an amendment is submitted to add claims to the patent being reexamined (i.e., to provide new claims), then excess claim fees pursuant to 37 CFR 1.20(c)(3) and (4) may be applicable to the presentation of the added claims. See MPEP § 2250.03. In addition, the provisions of 37 CFR 1.530(d)-(k) uniquely apply to amendments in both *ex parte* and *inter partes* reexamination proceedings, as follows.

A. The Specification

37 CFR 1.530(d)(1) relates to the manner of making amendments to the reexamination “specification” (other than the claims). It is not to be used for making amendments to the claims or the drawings.

37 CFR 1.530(d)(1) requires that all amendments, which include any deletions or additions, must be made by submission of the full text of any paragraph to be changed in any manner, with markings (single

brackets and underlining) showing the changes. It should be noted that examiner's amendments made at the time when the Notice of Intent to Issue Reexamination Certificate (NIRC) is prepared also require the full text of any paragraph to be changed, with markings. The exception for examiner's amendment set forth in [37 CFR 1.121\(g\)](#) does **not** apply to examiner's amendments in reexamination proceedings. It should further be noted that the requirement of [37 CFR 1.530\(d\)\(1\)](#) applies regardless of whether the amendment is submitted on paper or on compact disc (pursuant to [37 CFR 1.96](#) or [1.825](#)). The only exception to this requirement is that an entire paragraph of specification text may be deleted from the specification by a statement deleting the paragraph without the presentation of the text of the paragraph. However, presentation of the text of the paragraph to be deleted will assist the Office in proper entry of the amendment.

In accordance with [37 CFR 1.530\(d\)\(1\)](#), all paragraphs which are added to the specification must be submitted as completely underlined.

[37 CFR 1.530\(d\)\(1\)](#) requires that the precise point where each amendment is to be made must be indicated. This is important because uncertainty about the precise point for an amendment may cause delay in the publication of the reexamination certificate. Care should be taken to clearly identify the precise point for each change to the specification.

[37 CFR 1.530\(d\)\(1\)](#) defines the "markings" by reference to [37 CFR 1.530\(f\)](#) as being single brackets for deletion and underlining for addition. All bracketing and underlining is made in comparison to the original patent; not in comparison with the prior amendment.

Where a change is made in one sentence, paragraph or page of the patent, and the change increases or decreases the size of the sentence, paragraph or page, this will have no effect on the body of the reexamination "specification" (the copy of the patent). This is because all insertions are made as blocked additions of paragraphs. Therefore, a reexamination patent owner need not be concerned with page formatting considerations when presenting amendments to the Office.

B. The Claims

[37 CFR 1.530\(d\)\(2\)](#) relates to the manner of making amendments to the claims in a reexamination proceeding. It is not to be used for making amendments to the remainder of the specification or to the drawings.

[37 CFR 1.530\(d\)\(2\)](#) requires that:

(A) for each claim that is proposed to be amended by the amendment paper being submitted (the current amendment paper), the entire text of the claim must be presented with appropriate markings showing the changes to the claim;

(B) for each proposed new claim which is added in the reexamination by the amendment paper being submitted (the current amendment paper), the entire text of the proposed new claim must be presented and it must be underlined throughout;

(C) a patent claim is canceled by a direction to cancel that claim, there is no need to present the text of the patent claim surrounded by brackets; and

(D) a proposed new claim (previously added in the reexamination) is canceled by a direction to cancel that claim.

Examiner's amendments made at the time when the Notice of Intent to Issue Reexamination Certificate (NIRC) is prepared also require the full text of any claim to be changed, with markings. The exception for examiner's amendment set forth in [37 CFR 1.121\(g\)](#) does **not** apply to examiner's amendments in reexamination proceedings. The requirements of [37 CFR 1.530\(d\)\(2\)](#) apply regardless of whether the amendment is submitted on paper or on compact disc (pursuant to [37 CFR 1.96](#) or [1.825](#)).

In accordance with [37 CFR 1.530\(e\)](#), each amendment submitted must set forth the status of all patent claims and all added claims as of the date of the submission. The status to be set forth is whether the claim is pending, or canceled. The failure to submit the claim status will generally result in a notification to the patent owner of an informal response (see [MPEP § 2266.02](#)) prior to final rejection. Such an amendment submitted after final rejection will not be entered.

Also in accordance with [37 CFR 1.530\(e\)](#), each claim amendment must be accompanied by an explanation of the support in the disclosure of the patent for the amendment (i.e., support for the changes made in the claim(s), support for any insertions and deletions). The failure to submit an explanation will generally result in a notification to the patent owner that the amendment prior to final rejection is not completely responsive since the failure to set forth the support in the disclosure goes to the merits of the case (see [MPEP § 2266.01](#)). Such an amendment submitted after final rejection will not be entered.

[37 CFR 1.530\(f\)](#) identifies the type of markings required in the claim to be amended as underlining for added material and single brackets for material deleted.

[37 CFR 1.530\(g\)](#) states that original patent claims may not be renumbered. A patent claim retains its number even if it is canceled in the reexamination proceeding, and the numbering of any added claims must begin after the last original patent claim.

C. The Drawings

With respect to amendment of the drawings in a reexamination proceeding, see [MPEP § 2250.01](#).

Form paragraph 22.12 may be used to advise patent owner of the proper manner of making amendments in an *ex parte* reexamination proceeding.

D. Form Paragraphs - Ex Parte Reexamination

¶ 22.12 Amendments Proposed in a Reexamination - 37 CFR 1.530(d)-(j)

Patent owner is notified that any proposed amendment to the specification and/or claims in this reexamination proceeding must comply with [37 CFR 1.530\(d\)-\(j\)](#), must be formally presented pursuant to [37 CFR 1.52\(a\)](#) and [\(b\)](#), and must contain any fees required by [37 CFR 1.20\(c\)](#).

Examiner Note:

This paragraph may be used in the order granting reexamination and/or in the first Office action to advise patent owner of the proper manner of making amendments in a reexamination proceeding.

¶ 22.13 Improper Amendment in an Ex Parte Reexamination - 37 CFR 1.530(d)-(j)

The amendment filed [1] proposes amendments to [2] that do not comply with [37 CFR 1.530\(d\)-\(j\)](#), which sets forth the manner of making amendments in reexamination proceedings. A supplemental paper correctly proposing amendments in the present *ex parte* reexamination proceeding is required.

A shortened statutory period for response to this letter is set to expire [3] from the mailing date of this letter. If patent owner fails to timely correct this informality, the amendment will be held not to be an appropriate response, prosecution of the present *ex parte* reexamination proceeding will be terminated, and a reexamination certificate will issue. [37 CFR 1.550\(d\)](#).

Examiner Note:

1. This paragraph may be used for any [37 CFR 1.530\(d\)-\(j\)](#) informality as to a proposed amendment submitted in a reexamination proceeding prior to final rejection. After final rejection, the amendment should not be entered and patent owner informed of such in an advisory Office action using Form PTOL 467.
2. In bracket 3, if the reexamination was requested by a third party requester, the examiner should insert "ONE MONTH or thirty days, whichever is longer". If the reexamination was requested by the patent owner, if the reexamination was ordered under [35 U.S.C. 257](#), or if it is a Director ordered reexamination, the examiner should insert "TWO MONTHS."

The cover sheet to be used for mailing the notification to the patent owner will be PTOL-473.

As an alternative to using form paragraph 22.13, it would also be appropriate to use form PTOL-475.

Note that if the informal amendment is submitted after final rejection, form paragraph 22.13 and form PTOL-475 should not be used. Rather an advisory Office action (using form PTOL-467) should be issued indicating that the amendment was not entered. In the "Other" section, it should be explained that the amendment was not entered because it does not comply with [37 CFR 1.530\(d\)-\(j\)](#), which sets forth the manner of making amendments in reexamination proceedings.

E. Form Paragraphs - Inter Partes Reexamination

See [MPEP § 2666.01](#) for the form paragraphs to use in *inter partes* reexamination proceedings, in advising the patent owner as to the manner of making amendments.

II. ALL CHANGES ARE MADE VIS-A-VIS THE PATENT BEING REEXAMINED

When a reexamination certificate is printed, all underlined matter is printed in italics and all brackets are printed as they were inserted in the proceeding in order to thereby show exactly which additions and deletions have been made in the patent via the reexamination proceeding. In accordance with [37 CFR 1.530\(i\)](#), all amendments to the patent being reexamined must be made relative to the patent specification in effect as of the date of the filing of the request for reexamination. The patent specification includes the claims and drawings. If there was a prior change to the patent (made via a concluded post-patent proceeding, e.g., prior reexamination certificate, reissue of the patent, certificate of correction, PTAB trial certificate, etc.), the first amendment must be made relative to the patent specification as changed by the prior proceeding or other mechanism for changing the patent. All amendments subsequent to the first amendment must also be made relative to the patent specification in effect as of the date of the filing of the request for reexamination, and not relative to the prior amendment. In those rare instances where a concluded post-patent proceeding changes the patent while the reexamination proceeding is pending, amendments will be made relative to the patent, as revised by the concluded proceeding, and [37 CFR 1.530\(i\)](#) is waived to that extent.

III. AMENDMENT AFTER THE PATENT HAS EXPIRED

Pursuant to [37 CFR 1.530\(j\)](#), “[n]o amendment may be proposed for entry in an expired patent.” Thus, if a patent expires during the pendency of a reexamination proceeding for a patent, all amendments to the patent claims and all claims added during the proceeding are withdrawn. The patent owner should be notified of this in the next Office action. The Office action will hold the amendments to be improper, and state that all subsequent reexamination will be on the basis of the unamended patent claims. This procedure is necessary since no amendments will be incorporated into the patent by a certificate after the expiration of the patent.

[37 CFR 1.530\(j\)](#) further states that “[m]oreover, no amendment, other than the cancellation of claims, will be incorporated into the patent by a certificate issued after the expiration of the patent.”

Thus, at the time the NIRC is to be issued, the examiner should ensure that all rejected and objected to claims are canceled. The examiner should issue an examiner’s amendment canceling any such claims not already canceled.

The cancellation of the original patent claims is the only “amendatory” change permitted in an expired patent.

IV. EXAMPLES

A substantial number of problems arise in the Office because of improper submission of proposed amendments in reexamination proceedings. The following examples are provided to assist in the preparation of proper proposed amendments in reexamination proceedings. In regard to status identifiers, examiners may accept an amendment even if the status identifier used is not a status identifier recommended by [37 CFR 1.530\(d\)\(2\)](#) or [1.121\(c\)](#).

(A) Original Patent Description or Patent Claim Amended.

(1) Specification - submit a copy of the entire paragraph (of the specification of the patent) being amended with underlining and bracketing. Thus, the amendment would be presented as follows:

Replace the paragraph beginning at column 4, line 23 with the following:

Scanning [is] are controlled by clocks which are, in turn, controlled from the display tube line synchronization. The signals resulting from scanning the scope of the character are delivered in parallel, then converted into serial mode through a shift register, wherein the shift signal frequency is controlled by a clock that is controlled from the display tube line synchronization.

(2) Claims - for changes to the patent claims, one must submit a copy of the entire patent claim

with the amendments shown by underlining and single bracketing. Thus, the amendment would be presented as follows:

Amend claim 6 as follows:

Claim 6. (amended), The apparatus of claim [5] 1 wherein the [first] second piezoelectric element is parallel to the [second] third piezoelectric element.

If the dependency of any original patent claim is to be changed by amendment, it is proper to make that original patent claim dependent upon a later filed higher numbered claim.

(B) Cancellation of Entire Claim(s).

(1) Original patent claim canceled - in writing, direct cancellation of the entire patent claim.

Cancel claim 6.

(2) Proposed new claim (previously added in the reexamination) canceled - in writing, direct cancellation of the entire claim.

Cancel claim 15.

(C) Re-presentation of Original Patent Claims (no underlining or bracketing).

Amend claim 4 to read as original patent claim 4:

Claim 4. The apparatus of claim 1 wherein the first piezoelectric element is perpendicular to the second piezoelectric element.

(D) Presentation of New Claims.

Each proposed new claim (i.e., a claim not found in the patent, that is newly presented in the reexamination proceeding) should be presented with underlining throughout the claim, including the claim number. The status identifier “(new)” may or may not be underlined. Examiners may accept an amendment even if the claim number is not underlined or the status identifier(s) used is not a status identifier recommended by [37 CFR](#)

[1.530\(d\)\(2\)](#) or [1.121\(c\)](#). The following is an example of a presentation of a new claim:

Insert new claim 7 as follows:

Claim 7 (New). The apparatus of claim 5 further comprising electrodes attaching to said opposite faces of the second and third piezoelectric elements.

Even though an original claim may have been canceled, the numbering of the original claims does not change. Accordingly, any added claims are numbered beginning with the next higher number than the number of claims in the original patent. If new claims have been added to the reexamination proceeding which are later canceled prior to the issuance of the reexamination certificate, the examiner will renumber, at the time of preparing the NIRC for subsequent issuance of the certificate, any remaining new claims in numerical order to follow the highest number of the claims in the original patent.

A claim number previously assigned to a new claim that has been canceled should not be reassigned to a different new claim during the reexamination proceeding. For example, if new claim 5 added in a prior amendment is canceled in a later amendment, a different new claim added in a later amendment during the reexamination proceeding would be claim 6. Of course, at the time of preparing the NIRC, claim 6 would be renumbered for issue of the reexamination certificate as claim 5.

(E) Amendment of New Claims.

An amendment of a new claim (i.e., a claim not found in the patent, that was previously presented in the reexamination proceeding) must present the entire text of the new claim containing the amendatory material, and it must be underlined throughout the claim, including the claim number. The status identifier(s) may or may not be underlined. Examiners may accept an amendment even if the claim number is not underlined or the status identifier(s) used is not a status identifier recommended by [37 CFR 1.530\(d\)\(2\)](#) or [1.121\(c\)](#). The presentation cannot contain any bracketing or other indication of what was in the previous version

of the claim. This is because all changes in the reexamination are made *vis-a-vis* the original patent, and not in comparison with any prior amendment. Although the presentation of the amended claim does not contain any indication of what is changed from a previous version of the claim, patent owner must point out what is changed, in the “Remarks” portion of the amendment. Also, as per [37 CFR 1.530\(e\)](#), each change made in the claim must be accompanied by an explanation of the support in the disclosure of the patent (i.e., the reexamination specification) for the change.

The following is one example to illustrate a proper amendment of a new claim:

First Amendment (wherein claim 11 was first presented):

Claim 11 (New). A knife comprising a handle portion and a notched blade portion.

In the Remarks (supplied on a separate page):

Status: The present application includes pending claims 1-11, with claims 1 and 11 being independent. With this amendment, applicant has added new independent claim 11. Support for this new claim is found in column 4, lines 26-41, column 5, lines 3-18, and column 6, lines 5-15.

Second Amendment (wherein claim 11 is amended):

Claim 11 (New, amended). A fishing knife comprising a bone handle portion and a notched blade portion.

In the Remarks (supplied on a separate page):

Status: The present application includes pending claims 1-11, with claims 1 and 11 being independent. With this amendment, applicant has amended new independent claim 11 as described below.

Claim 11: Claim 11 is amended to add “fishing” before “knife” and “bone” before “handle.” Support for these changes is found in column 4, lines 34-41 and column 6, lines 5-8, respectively.

(F) Amendment of Original Patent Claims More Than Once.

The following example illustrates proper claim amendment of original patent claims in reexamination proceedings, where more than one amendment to a claim is made:

(1) Patent claim.

Claim 1. A cutting means having a handle portion and a blade portion.

(2) Proper first amendment format.

Claim 1. (amended), A [cutting means] knife having a bone handle portion and a notched blade portion.

(3) Proper second amendment format.

Claim 1. (twice amended), A [cutting means] knife having a handle portion and a serrated blade portion.

Note that the second amendment must include (1) the changes previously presented in the first amendment; i.e., [cutting means] knife, as well as (2) the new changes presented in the second amendment; i.e., serrated.

The word bone was presented in the first amendment and is now to be deleted in the second amendment. Thus, “bone” is NOT to be shown in brackets in the second amendment. Rather, the word “bone” is simply omitted from the claim, since “bone” never appeared in the patent.

The word notched which was presented in the first amendment is replaced by the word serrated in the second amendment. The word notched is being deleted in the second amendment and did not appear in the patent; accordingly, “notched” is not shown in any form in the claim. The word serrated is being added in the second amendment, and accordingly, “serrated” is added to the claim and is underlined.

It should be understood that in the second amendment, the deletions of “notched” and “bone” are not changes from the original patent claim text and therefore, are not shown in the second

amendment. In both the first and the second amendments, the entire claim is presented only with the changes from the original patent text.

If the patent expires during an *ex parte* or *inter partes* reexamination proceeding and the patent claims have been amended in that reexamination proceeding, the Office will hold the amendments as being improper, and all subsequent reexamination will be on the basis of the unamended patent claims. This procedure is necessary since no amendments will be incorporated into the patent by certificate after the expiration of the patent.

V. CROSS REFERENCES TO OTHER AREAS

(A) For clerical handling of amendments, see [MPEP § 2270](#) for *ex parte* reexamination proceedings, and see [MPEP § 2670](#) for *inter partes* reexamination proceedings.

(B) As to amendments in a merged proceeding, see [MPEP § 2283](#) for an *ex parte* reexamination merged with another *ex parte* reexamination and [MPEP § 2285](#) for an *ex parte* reexamination merged with a reissue application. If an *inter partes* reexamination proceeding is included in the merger, see [MPEP § 2686.01](#) and [§ 2686.03](#).

(C) As to amendments in a pending reexamination proceeding where a reexamination certificate has issued for the patent based on a prior concluded reexamination, pursuant to [MPEP § 2295](#), any amendment made in the pending reexamination proceeding must be presented as if the changes made to the patent text via the reexamination certificate (for the prior concluded reexamination) are a part of the original patent. All italicized text of the certificate is considered as if the text was present without italics in the original patent. Further, any text of the reexamination certificate found in brackets is considered as if it were never present in the patent at all. Thus, for making an amendment in the pending reexamination, all italicized text of the reexamination certificate is presented in the amendment without italics. Further, any text found in brackets in the reexamination certificate is omitted in the amendment.

(D) As to amendments in a pending reexamination proceeding where a reissue patent has been granted, pursuant to [MPEP § 2285](#), subsection II.A., an amendment in a reexamination of a reissued

patent is made the same way as in a reexamination of a reexamined patent (i.e., as per [MPEP § 2295](#)). Thus, all italicized text of the reissue patent is presented in the amendment (made in the pending reexamination proceeding) without italics. Further, any text found in brackets in the reissue patent is omitted in the amendment (made in the pending reexamination proceeding).

(E) As to amendments in a pending reexamination proceeding where a PTAB trial certificate has issued for the patent under reexamination, an amendment must be presented as if the changes made to the patent via the PTAB trial certificate are a part of the original patent. Similar to amendments where a reexamination certificate has issued, text added by the PTAB trial certificate should be presented without any markings and text deleted by the PTAB trial certificate should not be presented at all. See paragraph (C) above.

(F) For handling a dependent claim in reexamination proceedings, see [MPEP § 2260.01](#).

2250.01 Correction of Patent Drawings [R-07.2015]

37 CFR 1.530 Statement by patent owner in ex parte reexamination; amendment by patent owner in ex parte or inter partes reexamination; inventorship change in ex parte or inter partes reexamination.

(d) *Making amendments in a reexamination proceeding.* A proposed amendment in an *ex parte* or an *inter partes* reexamination proceeding is made by filing a paper directing that proposed specified changes be made to the patent specification, including the claims, or to the drawings. An amendment paper directing that proposed specified changes be made in a reexamination proceeding may be submitted as an accompaniment to a request filed by the patent owner in accordance with [§ 1.510\(e\)](#), as part of a patent owner statement in accordance with paragraph (b) of this section, or, where permitted, during the prosecution of the reexamination proceeding pursuant to [§ 1.550\(a\)](#) or [§ 1.937](#).

(3) *Drawings.* Any change to the patent drawings must be submitted as a sketch on a separate paper showing the proposed changes in red for approval by the examiner. Upon approval of the changes by the examiner, only new sheets of drawings including the changes and in compliance with [§ 1.84](#) must be filed. Amended figures must be identified as “Amended,” and any added figure must be identified as “New.” In the event a figure is canceled, the figure must be surrounded by brackets and identified as “Canceled.”

In the reexamination proceeding, the copy of the patent drawings submitted pursuant to [37 CFR 1.510\(b\)\(4\)](#) will be used for reexamination purposes, provided no change whatsoever is made to the drawings. If there is to be ANY change in the drawings, a new sheet of drawings for each sheet changed must be submitted. The change may NOT be made on the original patent drawings.

[37 CFR 1.530\(d\)\(3\)](#) sets forth the manner of making amendments to the drawings. Amendments to the original patent drawing sheets are not permitted, and any change to the patent drawings must be in the form of a new sheet of drawings for each drawing sheet that is changed. Any amended figure(s) must be identified as “Amended” and any added figure(s) must be identified as “New.” In the event a figure is canceled, the figure must be surrounded by brackets and identified as “Canceled.”

Where the patent owner wishes to change/amend the drawings, the patent owner should submit a sketch in permanent ink showing proposed change(s)/amendment(s), for approval by the examiner. The submitted sketch should be presented as a separate paper, which is clearly labeled as “Annotated Sheet,” and it will be made part of the record. Once the proposed changes are approved, sheets of substitute or new drawings must be submitted for each drawing sheet that is to be changed/amended. If a new drawing sheet contains multiple figures, each figure must be marked as “amended” or “new,” if applicable, to comply with the requirements of [37 CFR 1.530\(d\)\(3\)](#). For example, if the new drawing sheet contains Figures 1-3 but only Figure 2 is amended, the new drawing sheet must identify Figure 2 as “Amended.” It is not sufficient to generally indicate that the entire sheet is amended by, e.g., placing the term “Amended” in the header of the drawing sheet.

The new sheets of drawings must be entered into the record in the reexamination file prior to the preparation of a Notice of Intent to Issue *Ex Parte* Reexamination Certificate (NIRC). If a proposed drawing correction has been approved but the new sheets of drawings have not been filed, and the proceeding is otherwise in condition for termination of the prosecution by means of a NIRC, an *ex parte Quayle* Office action should be prepared -

setting an appropriate shortened statutory time period (SSP) for the filing of the new sheets of drawing. If the reexamination was requested by a third party requester, the examiner should set an SSP of ONE MONTH or thirty days, whichever is longer. If the reexamination was requested by the patent owner, if the reexamination was ordered under [35 U.S.C. 257](#), or if it is a Director ordered reexamination, the examiner should set an SSP of TWO MONTHS. If the new sheets of drawings are not timely filed in response to the *Quayle* action, the reexamination certificate will be issued with drawings that do not reflect the changes/amendments that were proposed by the patent owner.

2250.02 Correction of Inventorship [R-07.2015]

37 CFR 1.530 Statement by patent owner in ex parte reexamination; amendment by patent owner in ex parte or inter partes reexamination; inventorship change in ex parte or inter partes reexamination.

(1) *Correction of inventorship in an ex parte or inter partes reexamination proceeding.*

(1) When it appears in a patent being reexamined that the correct inventor or inventors were not named, the Director may, on petition of all the parties set forth in [§ 1.324\(b\)\(1\)](#) and [\(b\)\(2\)](#), including the assignees, and satisfactory proof of the facts and payment of the fee set forth in [§ 1.20\(b\)](#), or on order of a court before which such matter is called in question, include in the reexamination certificate to be issued under [§ 1.570](#) or [§ 1.997](#) an amendment naming only the actual inventor or inventors. The petition must be submitted as part of the reexamination proceeding and must satisfy the requirements of [§ 1.324](#).

(2) Notwithstanding paragraph (I)(1) of this section, if a petition to correct inventorship satisfying the requirements of [§ 1.324](#) is filed in a reexamination proceeding, and the reexamination proceeding is concluded other than by a reexamination certificate under [§ 1.570](#) or [§ 1.997](#), a certificate of correction indicating the change of inventorship stated in the petition will be issued upon request by the patentee.

Where the inventorship of a patent being reexamined is to be corrected, a petition for correction of inventorship which complies with [37 CFR 1.324](#) must be submitted during the prosecution of the reexamination proceeding. See [37 CFR 1.530\(d\)\(1\)](#). If the petition under [37 CFR 1.324](#) is granted, a certificate of correction indicating the change of inventorship will **not** be issued, because the reexamination certificate that will ultimately issue will contain the appropriate change of inventorship

information. The certificate of correction is in effect merged with the reexamination certificate.

In some instances, the reexamination proceeding concludes but does not result in a reexamination certificate under [37 CFR 1.570](#) or [1.997](#), e.g., reexamination is vacated, or the order for reexamination is denied. In those instances, patent owner may, after the conclusion of the reexamination proceeding, request that the inventorship be corrected by a certificate of correction indicating the change of inventorship. See [37 CFR 1.530\(i\)\(2\)](#). Alternatively, the failure to name the correct inventive entity is an error in the patent which is correctable by reissue under [35 U.S.C. 251](#). See [MPEP § 1412.04](#) for a discussion of when correction of inventorship by reissue is appropriate.

2250.03 Fees for Adding Claims and for Filing a Petition [R-07.2015]

I. FEES FOR ADDING CLAIMS

Excess claims fees are applicable to excess claims proposed to be added to a patent by their presentation during a reexamination proceeding. See [37 CFR 1.20\(c\)\(3\)](#) and [\(c\)\(4\)](#). Under “former” [35 U.S.C. 41](#), excess claims fees were included as part of the “application” filing fee under [35 U.S.C. 41\(a\)\(1\)](#), and thus did not apply during reexamination proceedings. The Consolidated Appropriations Act does not include the excess claims as part of the “application” filing fee under [35 U.S.C. 41\(a\)\(1\)](#), but separately provides for excess claims fees in [35 U.S.C. 41\(a\)\(2\)](#) (as being in addition to the filing fee in [35 U.S.C. 41\(a\)\(1\)](#)). [35 U.S.C. 41\(a\)\(2\)](#) provides that an excess claims fee is due “on filing or on presentation at any other time” (e.g., during a reexamination proceeding) of an independent claim in excess of three or of a claim (whether independent or dependent) in excess of twenty.

[37 CFR 1.20](#) was amended, effective December 8, 2004, to provide for excess claims fees in a reexamination proceeding. The excess claims fees specified in [37 CFR 1.20\(c\)](#) apply to all patents, whenever granted. The fees must be submitted for any excess claims presented in a reexamination proceeding on or after December 8, 2004 (no excess claims fee was due under [35 U.S.C. 41](#) for any claim

presented during a reexamination proceeding before December 8, 2004). Even though a reexamination proceeding was commenced prior to December 8, 2004, the excess claims fees are due for any amendment filed on or after December 8, 2004.

When a patent owner presents an amendment to the claims (on or after December 8, 2004) during an *ex parte* reexamination proceeding, or upon filing of an *ex parte* reexamination request under [35 U.S.C. 302](#) (on or after December 8, 2004), excess claims fees may be applicable. If the amendment is limited to revising the existing claims, i.e., it does not provide any new claim, there is no claim fee. The excess claims fees apply only to the submission of new, i.e., “excess” claims.

The excess claims fees specified in [37 CFR 1.20\(c\)](#) apply to excess claims that result from an amendment as follows:

(A) The fee designated in [37 CFR 1.20\(c\)\(3\)](#) as the independent claims fee must be paid for each independent claim in excess of three and also in excess of the number of independent claims in the patent being reexamined. The amendment must increase the number of independent claims to be more than both of these limits, in order for the “independent excess claims fee” to apply;

(B) The fee designated in [37 CFR 1.20\(c\)\(4\)](#) as the total claims fee must be paid for each claim (whether independent or dependent) in excess of twenty and also in excess of the number of claims in the patent being reexamined. The amendment must increase the total number of claims to be more than both of these limits, in order for the “total excess claims fee” to apply.

The following examples illustrate the application of the excess claims fees in a patent (non-small entity) to be reexamined containing six independent claims and thirty total claims:

(A) No excess claims fee is due if the patent owner cancels ten claims, two of which are independent, and adds ten claims, two of which are independent.

(B) The [37 CFR 1.20\(c\)\(3\)](#) excess independent claims fee for a seventh independent claim is due if the patent owner cancels ten claims, two of which

are independent, and adds ten claims, three of which are independent.

(C) The [37 CFR 1.20\(c\)\(4\)](#) excess total claims fee for a thirty-first claim is due if the patent owner cancels ten claims, two of which are independent, and adds eleven claims, two of which are independent.

(D) The [37 CFR 1.20\(c\)\(3\)](#) excess independent claims fee for a seventh independent claim and the [37 CFR 1.20\(c\)\(4\)](#) excess total claims fee for a thirty-first claim are due if the patent owner cancels ten claims, two of which are independent, and adds eleven claims, three of which are independent.

A claim that has been disclaimed under [35 U.S.C. 253](#) and [37 CFR 1.321\(a\)](#) as of the date of filing of the request for reexamination is not considered to be a claim in the patent under reexamination for purposes of excess claims fee calculations. The same applies to a claim canceled via a prior reexamination certificate, reissue patent, or certificate of correction.

If, for a response to a non-final Office action, the excess claims fees required by [37 CFR 1.20\(c\)\(3\)](#) and [\(c\)\(4\)](#) are not paid with the presentation of the excess claims, a notice of fee deficiency will be issued as a Notice of Defective Paper In *Ex Parte* Reexamination. In third party requested reexaminations, a one-month time period will be set in the form PTOL-475 for correction of the defect, i.e., the fee deficiency. In patent owner requested reexaminations (including reexaminations ordered under [35 U.S.C. 257](#)) or Director ordered reexaminations, a two-month time period will be set in form PTO-2311 for correction of the defect, i.e., the fee deficiency. An extension of time to correct the fee deficiency may be requested under [37 CFR 1.550\(c\)](#). If the unpaid excess claims fees required by [37 CFR 1.20\(c\)\(3\)](#) and [\(c\)\(4\)](#) are not paid within the time period set for response to the Notice, the prosecution of the reexamination proceeding will be terminated under [37 CFR 1.550\(e\)](#), to effect the “abandonment” set forth in [37 CFR 1.20\(c\)\(5\)](#). If the excess claims fees required by [37 CFR 1.20\(c\)\(3\)](#) and [\(c\)\(4\)](#) are not paid with the presentation of the excess claims in a response to a final Office action, the examiner should notify the owner of the fee deficiency in the advisory action.

II. FEES FOR FILING A PETITION IN REEXAMINATION

Pursuant to [37 CFR 1.550\(i\)](#), a petition in an *ex parte* reexamination proceeding must be accompanied by the fee set forth in [37 CFR 1.20\(c\)\(6\)](#), except for petitions under [37 CFR 1.530\(c\)](#) to extend the period for response by a patent owner, petitions under [37 CFR 1.550\(e\)](#) to accept a delayed response by a patent owner, petitions under [37 CFR 1.78](#) to accept an unintentionally delayed benefit claim, and petitions under [37 CFR 1.530\(l\)](#) for correction of inventorship in a reexamination proceeding.

Pursuant to [37 CFR 1.20\(c\)\(6\)](#), the fee for filing a petition in an *ex parte* reexamination proceeding, except for those specifically enumerated in [37 CFR 1.550\(i\)](#) is:

\$ 1,940 for a large entity.

\$ 970 for a small entity.

\$ 485 for a micro entity (available for patent owners only).

2251 Reply by Third Party Requester [R-08.2012]

37 CFR 1.535 Reply by third party requester in ex parte reexamination.

A reply to the patent owner’s statement under [§ 1.530](#) may be filed by the *ex parte* reexamination requester within two months from the date of service of the patent owner’s statement. Any reply by the *ex parte* requester must be served upon the patent owner in accordance with [§ 1.248](#). If the patent owner does not file a statement under [§ 1.530](#), no reply or other submission from the *ex parte* reexamination requester will be considered.

If the patent owner files a statement in a timely manner, the third party requester is given a period of 2 months from the date of service to reply. Since the statute, [35 U.S.C. 304](#), provides this time period, there will be no extensions of time granted.

The reply need not be limited to the issues raised in the statement. The reply may include additional prior art patents and printed publications and may raise any issue appropriate for reexamination.

If no statement is filed by the patent owner, no reply is permitted from the third party requester.

The third party requester must serve a copy of the reply on the patent owner. See [MPEP § 2266.03](#) for further discussion as to the third party requester providing service on the patent owner.

The third party requester is not permitted to file any further papers after his or her reply to the patent owner's statement. Any further papers will not be considered and will be returned to the requester. The patent owner cannot file papers on behalf of the third party requester and thereby circumvent the rules.

2252 Consideration of Statement and Reply [R-11.2013]

37 CFR 1.540 Consideration of responses in ex parte reexamination.

The failure to timely file or serve the documents set forth in [§ 1.530](#) or in [§ 1.535](#) may result in their being refused consideration. No submissions other than the statement pursuant to [§ 1.530](#) and the reply by the *ex parte* reexamination requester pursuant to [§ 1.535](#) will be considered prior to examination.

Although [37 CFR 1.540](#) would appear to be discretionary in stating that late responses “may result in their being refused consideration,” patent owners and requesters can expect consideration to be refused if the statement and/or reply is not timely filed. [37 CFR 1.540](#) restricts the number and kind of submissions to be considered prior to examination to those expressly provided for in [37 CFR 1.530](#) and [37 CFR 1.535](#). Untimely submissions will ordinarily not be considered. Untimely submissions, other than untimely papers filed by the patent owner after the period set for response, will not be placed of record in the reexamination file but will be returned to the sender.

Any paper for which proof of service is required, which is filed without proof of service, may be denied consideration. Where no proof of service is included, inquiry should be made of the sender by the Central Reexamination Unit as to whether service was in fact made. If no service was made, the paper is placed in the reexamination file but is not considered. See [MPEP § 2266.03](#) and [§ 2267](#).

2253 Consideration by Examiner [R-07.2015]

Once reexamination is ordered under [35 U.S.C. 304](#), any submissions properly filed and served in accordance with [37 CFR 1.530](#) and [37 CFR 1.535](#) will be considered by the examiner when preparing the first Office action.

With respect to consideration of any proposed amendments to the specification, including claims, made by the patent owner, the examiner will be guided by the provisions of [37 CFR 1.530\(d\)-\(j\)](#). With respect to consideration of the patent owner's statement, the examiner will be guided by [37 CFR 1.530\(c\)](#).

As to consideration of a reply by a third party requester, the examiner will be guided by [37 CFR 1.535](#). If the requester's reply to the patent owner's statement raises issues not previously presented, such issues will be treated by the examiner in the Office action if they are within the scope of reexamination. However, if an issue raised by the third party requester in the reply is not within the scope of reexamination, it should be treated pursuant to [37 CFR 1.552\(c\)](#).

For handling of new matter, see [MPEP § 2270](#).

2254 Conduct of *Ex Parte* Reexamination Proceedings [R-07.2015]

35 U.S.C. 305 Conduct of reexamination proceedings.

After the times for filing the statement and reply provided for by [section 304](#) have expired, reexamination will be conducted according to the procedures established for initial examination under the provisions of [sections 132](#) and [133](#). In any reexamination proceeding under this chapter, the patent owner will be permitted to propose any amendment to his patent and a new claim or claims thereto, in order to distinguish the invention as claimed from the prior art cited under the provisions of [section 301](#), or in response to a decision adverse to the patentability of a claim of a patent. No proposed amended or new claim enlarging the scope of a claim of the patent will be permitted in a reexamination proceeding under this chapter. All reexamination proceedings under this section, including any appeal to the Patent Trial and Appeal Board, will be conducted with special dispatch within the Office.

37 CFR 1.550 Conduct of ex parte reexamination proceedings.

(a) All *ex parte* reexamination proceedings, including any appeals to the Board of Patent Appeals and Interferences, will

be conducted with special dispatch within the Office. After issuance of the *ex parte* reexamination order and expiration of the time for submitting any responses, the examination will be conducted in accordance with §§ 1.104 through 1.116 and will result in the issuance of an *ex parte* reexamination certificate under § 1.570.

(b) The patent owner in an *ex parte* reexamination proceeding will be given at least thirty days to respond to any Office action. In response to any rejection, such response may include further statements and/or proposed amendments or new claims to place the patent in a condition where all claims, if amended as proposed, would be patentable.

(c) The time for taking any action by a patent owner in an *ex parte* reexamination proceeding may be extended as provided in this paragraph.

(1) Any request for such an extension must specify the requested period of extension and be accompanied by the petition fee set forth in § 1.17(g).

(2) Any request for an extension in a third party requested *ex parte* reexamination must be filed on or before the day on which action by the patent owner is due, and the mere filing of such a request for extension will not effect the extension. A request for an extension in a third party requested *ex parte* reexamination will not be granted in the absence of sufficient cause or for more than a reasonable time.

(3) Any request for an extension in a patent owner requested or Director ordered *ex parte* reexamination for up to two months from the time period set in the Office action must be filed no later than two months from the expiration of the time period set in the Office action. A request for an extension in a patent owner requested or Director ordered *ex parte* reexamination for more than two months from the time period set in the Office action must be filed on or before the day on which action by the patent owner is due, and the mere filing of a request for an extension for more than two months from the time period set in the Office action will not effect the extension. The time for taking action in a patent owner requested or Director ordered *ex parte* reexamination will not be extended for more than two months from the time period set in the Office action in the absence of sufficient cause or for more than a reasonable time.

(4) The reply or other action must in any event be filed prior to the expiration of the period of extension, but in no situation may a reply or other action be filed later than the maximum time period set by statute.

(5) See § 90.3(c) of this title for extensions of time for filing a notice of appeal to the U.S. Court of Appeals for the Federal Circuit or for commencing a civil action.

(d) If the patent owner fails to file a timely and appropriate response to any Office action or any written statement of an interview required under § 1.560(b), the prosecution in the *ex parte* reexamination proceeding will be a terminated prosecution, and the Director will proceed to issue and publish a certificate concluding the reexamination proceeding under § 1.570 in accordance with the last action of the Office.

(e) If a response by the patent owner is not timely filed in the Office, a petition may be filed pursuant to § 1.137 to revive

a reexamination prosecution terminated under paragraph (d) of this section if the delay in response was unintentional.

(f) The reexamination requester will be sent copies of Office actions issued during the *ex parte* reexamination proceeding. After filing of a request for *ex parte* reexamination by a third party requester, any document filed by either the patent owner or the third party requester must be served on the other party in the reexamination proceeding in the manner provided by § 1.248. The document must reflect service or the document may be refused consideration by the Office.

(g) The active participation of the *ex parte* reexamination requester ends with the reply pursuant to § 1.535, and no further submissions on behalf of the reexamination requester will be acknowledged or considered. Further, no submissions on behalf of any third parties will be acknowledged or considered unless such submissions are:

(1) in accordance with § 1.510 or § 1.535; or

(2) entered in the patent file prior to the date of the order for *ex parte* reexamination pursuant to § 1.525.

(h) Submissions by third parties, filed after the date of the order for *ex parte* reexamination pursuant to § 1.525, must meet the requirements of and will be treated in accordance with § 1.501(a).

(i) A petition in an *ex parte* reexamination proceeding must be accompanied by the fee set forth in § 1.20(c)(6), except for petitions under paragraph (c) of this section to extend the period for response by a patent owner, petitions under paragraph (e) of this section to accept a delayed response by a patent owner, petitions under § 1.78 to accept an unintentionally delayed benefit claim, and petitions under § 1.530(d) for correction of inventorship in a reexamination proceeding.

Once *ex parte* reexamination is ordered pursuant to 35 U.S.C. 304 and the times for submitting any responses to the order have expired, no further active participation by a third party reexamination requester is allowed, and no third party submissions will be acknowledged or considered unless they are in accordance with 37 CFR 1.510. The reexamination proceedings will be *ex parte*, even if ordered based on a request filed by a third party, because this was the intention of the legislation. *Ex parte* proceedings preclude the introduction of arguments and issues by the third party requester which are not within the intent of 35 U.S.C. 305 (“reexamination will be conducted according to the procedures established for initial examination under the provisions of sections 132 and 133”).

The patent owner may not file papers on behalf of the requester and thereby circumvent the intent of the *ex parte* reexamination legislation and the rules. The U.S. Court of Appeals for the Federal Circuit held in *Emerson Elec. Co. v. Davoil, Inc.*, 88 F.3d

1051, 39 USPQ2d 1474 (Fed. Cir. 1996) that a federal district court does not have the authority to order a patent owner to file papers prepared by a third party in addition to the patent owner's own submission in a patent reexamination proceeding. Such papers prepared by the third party and filed by the patent owner will not be entered, and the entire submission will be returned to the patent owner as an inappropriate response. See [MPEP § 2266](#) and [§ 2267](#).

The examination will be conducted in accordance with [37 CFR 1.104](#), [1.105](#), [1.110-1.113](#), and [1.116](#) ([35 U.S.C. 132](#) and [133](#)) and will result in the issuance of a reexamination certificate under [37 CFR 1.570](#). The proceeding shall be conducted with special dispatch within the Office pursuant to [35 U.S.C. 305](#), last sentence. A full search will not routinely be made by the examiner. The third party reexamination requester will be sent copies of Office actions and the patent owner must serve responses on the requester. Citations submitted in the patent file prior to issuance of an order for reexamination will be considered by the examiner during the reexamination. Reexamination will proceed even if the copy of the order sent to the patent owner is returned undelivered. The notice under [37 CFR 1.11\(c\)](#) is constructive notice to the patent owner and lack of response from the patent owner will not delay reexamination. See [MPEP § 2230](#).

2255 Who Reexamines [R-07.2015]

The examination will ordinarily be conducted by the same patent examiner who made the decision on whether the reexamination request should be granted. See [MPEP § 2236](#).

However, if a petition under [37 CFR 1.515\(c\)](#) is granted after an examiner's determination that found the request did not raise any SNQ, the reexamination will generally be conducted by another examiner. See [MPEP § 2248](#).

2256 Prior Art Patents and Printed Publications Reviewed by Examiner in Reexamination [R-07.2015]

Typically, the primary source of prior art will be the patents and printed publications cited in the request for *ex parte* reexamination.

Subject to the discussion provided below in this section, the examiner must also consider patents and printed publications:

- (A) cited by another reexamination requester under [37 CFR 1.510](#) or [37 CFR 1.915](#);
- (B) cited in a patent owner's statement under [37 CFR 1.530](#) or a requester's reply under [37 CFR 1.535](#) if they comply with [37 CFR 1.98](#);
- (C) cited by the patent owner under a duty of disclosure ([37 CFR 1.555](#)) in compliance with [37 CFR 1.98](#);
- (D) discovered by the examiner in searching;
- (E) of record in the patent file from earlier examination; and
- (F) of record in the patent file from any [37 CFR 1.501](#) submission prior to date of an order if it complies with [37 CFR 1.98](#).

Where patents, publications, and other such documents are submitted by a party (patent owner or requester) in compliance with the requirements of the rules, the requisite degree of consideration to be given to such information will be normally limited by the degree to which the party filing the information citation has explained the content and relevance of the document. The initials of the examiner placed adjacent to the citations on the form PTO/SB/08A and 08B or its equivalent, without an indication to the contrary in the record, do not signify that the document has been considered by the examiner any further than to the extent noted above.

As to (E) above, it is pointed out that the degree of consideration of information from the patent file and its parent files is dependent on the availability of the information. Thus, for example, as to a reference other than a U.S. patent and U.S. patent publication that is not scanned into the Image File Wrapper (IFW) what was said about that reference in the

patent's record is the full extent of consideration, unless otherwise indicated, or unless parties appropriately supplied a copy.

As to (B), (C) and (F) above, [37 CFR 1.98\(a\)\(2\)](#) requires a legible copy of:

- (1) each foreign patent;
- (2) each publication or that portion which caused it to be listed, other than U.S. patents and U.S. patent application publications unless required by the Office;
- (3) for each cited pending unpublished U.S. application, the application specification including the claims, and any drawing of the application, or that portion of the application which caused it to be listed including any claims directed to that portion;
- (4) all other information or that portion which caused it to be listed.

It is not required nor is it permitted that parties submit copies of copending reexamination proceedings and applications (which copies can be mistaken for a new request/filing); rather, submitters may provide the application/proceeding number and its status. A submission that is not permitted entry will be returned, expunged, or discarded at the sole discretion of the Office.

The exception to the requirement for reference copies in [37 CFR 1.98\(d\)\(1\)](#) does not apply to reexamination proceedings since a reexamination proceeding does not receive [35 U.S.C. 120](#) benefit from the patent.

AFTER THE NOTICE OF INTENT TO ISSUE *EX PARTE* REEXAMINATION CERTIFICATE (NIRC):

Once the NIRC has been mailed, the reexamination proceeding is forwarded for publication of the reexamination certificate. Thus, when the patent owner provides a submission of patents and printed publications or other information described in [37 CFR 1.98\(a\)](#) after the NIRC has been mailed, the proceeding has entered the publication process for printing the reexamination certificate. To automatically delay prosecution by pulling the proceeding from that process when such a submission has been filed, without more, would be

contrary to the Office's statutory mandate for "special dispatch", as set forth in [35 U.S.C. 305](#).

For this reason, the submission must be accompanied by (A) a factual accounting providing a sufficient explanation of why the information submitted could not have been submitted earlier, (B) an unequivocal statement that one or more claims are unpatentable, and (C) an amendment to such claim or claims, and an explanation as to how the amendment causes such claim or claims to be patentable. This must be provided via a petition under [37 CFR 1.182](#) (with the petition fee) for entry and consideration of the information submitted after NIRC. These requirements are necessary to provide a basis for interrupting the proceeding after NIRC, in order for the Office to comply with its statutory mandate for "special dispatch".

These requirements are similar to the requirements to withdraw an application from issue as set forth in [37 CFR 1.313\(c\)\(1\)](#). The printing cycle for an application occurs after the payment of the issue fee (there is no issue fee in reexamination), and thus, in order to withdraw an application from issue after payment of the issue fee, the requirements of [37 CFR 1.313\(c\)](#) must be met. Based on the statutory requirement for "special dispatch," the requirements for withdrawal of a reexamination proceeding from issue, i.e., its printing cycle, after NIRC are at least as burdensome as those set forth in [37 CFR 1.313\(b\)](#) and [\(c\)](#). Accordingly, where a submission of patents and printed publications or other information described in [37 CFR 1.98\(a\)](#) is made after NIRC, the patent owner must provide an unequivocal statement as to why the art submitted makes at least one claim unpatentable, an amendment to such claim or claims, and an explanation as to how the amendment causes such claim or claims to be patentable. This is in addition to the above-discussed factual accounting providing a sufficient explanation of why the information submitted could not have been submitted earlier (see item (A) above).

No consideration will be given to a third party requester submission of patents and printed publications, or other information, that is filed in the reexamination proceeding unless it is part of the request for reexamination or the requester's reply under [37 CFR 1.535](#). See [37 CFR 1.540](#).

2257 Listing of Prior Art [R-07.2015]

The reexamination request must provide a listing of the patents and printed publications (discussed in the request) as provided for in [37 CFR 1.98](#). See [MPEP § 2214](#). The examiner must list on a form PTO-892, if not already listed on a form PTO/SB/08A or 08B, or PTO/SB/42 (or on a form having a format equivalent to one of these forms), all prior art patents or printed publications which have been cited in the decision on the request, applied in making rejections or cited as being pertinent during the reexamination proceedings. Such prior art patents or printed publications may have come to the examiner's attention because:

(A) they were of record in the patent file due to a prior art submission under [37 CFR 1.501](#) which was received prior to the date of the order;

(B) they were of record in the patent file as result of earlier examination proceedings; or

(C) they were discovered by the examiner during a prior art search.

All citations listed on form PTO-892, and all citations not lined-through on any form PTO/SB/08A or 08B, or PTO/SB/42 (or on a form having a format equivalent to one of these forms), will be the list of prior art documents considered in the reexamination proceeding. A notice will be printed on the reexamination certificate to state that the list of cited prior art documents will be available via PAIR by the reexamination control number.

A submission of patents and/or publications is entitled to entry and citation in the reexamination certificate (that will be issued) when it complies with [37 CFR 1.98](#) and is submitted:

(A) by the patent owner in the statement under [37 CFR 1.530](#);

(B) by the reexamination requester in the reply under [37 CFR 1.535](#);

(C) prior to the order of reexamination under [37 CFR 1.501](#) by any party; and/or

(D) by the patent owner under the duty of disclosure requirements of [37 CFR 1.555](#).

2258 Scope of *Ex Parte* Reexamination [R-08.2017]

37 CFR 1.552 Scope of reexamination in ex parte reexamination proceedings.

(a) Claims in an *ex parte* reexamination proceeding will be examined on the basis of patents or printed publications and, with respect to subject matter added or deleted in the reexamination proceeding, on the basis of the requirements of [35 U.S.C. 112](#).

(b) Claims in an *ex parte* reexamination proceeding will not be permitted to enlarge the scope of the claims of the patent.

(c) Issues other than those indicated in paragraphs (a) and (b) of this section will not be resolved in a reexamination proceeding. If such issues are raised by the patent owner or third party requester during a reexamination proceeding, the existence of such issues will be noted by the examiner in the next Office action, in which case the patent owner may consider the advisability of filing a reissue application to have such issues considered and resolved.

(d) Any statement of the patent owner and any accompanying information submitted pursuant to [§ 1.501\(a\)\(2\)](#) which is of record in the patent being reexamined (which includes any reexamination files for the patent) may be used after a reexamination proceeding has been ordered to determine the proper meaning of a patent claim when applying patents or printed publications.

37 CFR 1.625 Conclusion of supplemental examination; publication of supplemental examination certificate; procedure after conclusion.

(d) Any *ex parte* reexamination ordered under [35 U.S.C. 257](#) will be conducted in accordance with [§§ 1.530 through 1.570](#), which govern *ex parte* reexamination, except that:

(1) The patent owner will not have the right to file a statement pursuant to [§ 1.530](#), and the order will not set a time period within which to file such a statement;

(2) Reexamination of any claim of the patent may be conducted on the basis of any item of information as set forth in [§ 1.605](#), and is not limited to patents and printed publications or to subject matter that has been added or deleted during the reexamination proceeding, notwithstanding [§ 1.552\(a\)](#);

(3) Issues in addition to those raised by patents and printed publications, and by subject matter added or deleted during a reexamination proceeding, may be considered and resolved, notwithstanding [§ 1.552\(c\)](#); and

(4) Information material to patentability will be defined by [§ 1.56\(b\)](#), notwithstanding [§ 1.555\(b\)](#).

A reexamination proceeding ordered under [35 U.S.C. 304](#) provides a complete reexamination of the patent claims on the basis of prior art patents and printed publications. Double patenting issues may also be considered during reexamination. See subsection I.D. below. Issues relating to [35 U.S.C. 112](#) are

addressed only with respect to new claims or amendatory subject matter in the specification, claims or drawings. Any new or amended claims are examined to ensure that the scope of the original patent claims is not enlarged, i.e., broadened. See [35 U.S.C. 305](#).

In a reexamination proceeding ordered under [35 U.S.C. 257](#), however, reexamination is not limited to patents and printed publications. Reexamination ordered under [35 U.S.C. 257](#) may involve any information which is determined by the Office to raise a substantial new question of patentability in a supplemental examination proceeding. The information may include, for example, not only a patent or a journal article, but also a sales invoice, or a transcript of an audio or video recording. A reexamination proceeding ordered under [35 U.S.C. 257](#) may involve issues relating to [35 U.S.C. 112](#) which are not limited to matter that has been added or deleted during reexamination. Issues under [35 U.S.C. 112](#) in a reexamination ordered under [35 U.S.C. 257](#) may also involve the original subject matter of the patent under reexamination, including the original specification, claims, and drawings. Reexamination ordered under [35 U.S.C. 257](#) may involve any ground of patentability, such as, for example, patent eligible subject matter, anticipation, public use or sale, obviousness, written description, enablement, indefiniteness, and double-patenting. See [MPEP §§ 2801 and 2809.01](#), subsection I.

I. PRIOR ART PATENTS OR PRINTED PUBLICATIONS, AND DOUBLE PATENTING

Rejections on prior art in reexamination proceedings ordered under [35 U.S.C. 304](#) may only be made on the basis of prior art patents or printed publications. The prior art regime under which the application for the patent was examined (the first-inventor-to-file prior art regime, or the first-to-invent prior art regime) will generally be applied in reexamination of the patent. One exception would be where an amended or new claim having an effective filing date for the new claim on or after March 16, 2013, is presented during the reexamination of a patent that was subject to the first-to-invent prior art regime, in which case the reexamination would be conducted under the first-inventor-to-file prior art regime. Similarly if a benefit claim to a prior application

with a filing date before March 16, 2013 is made during the reexamination, then reexamination would be conducted under the first-to-invent prior art regime even if the application that matured into the patent was examined under the first-inventor-to-file prior art regime when the following conditions are met. Specifically, the written description of the prior application must provide adequate written support under [35 U.S.C. 112](#) for the following: (1) all of the patent claims; (2) all claims presented at any time during the prosecution of the application that matured into the patent under reexamination; and (3) all claims presented at any time during the prosecution of any application to which the benefit was sought by the application that matured into the patent under reexamination.

With respect to the first-inventor-to-file prior art regime, prior art rejections may be based upon the provisions of [35 U.S.C. 102](#) as it is in effect on and after March 16, 2013, applicable to prior art patents and printed publications. Thus “A person shall be entitled to a patent unless”:

- (1) “the claimed invention was patented” or “described in a printed publication” “before the effective filing date of the claimed invention”;
- or
- (2) “the claimed invention was described in a patent issued under [section 151](#), or in an application for patent published or deemed published under [section 122\(b\)](#), in which the patent or application, as the case may be, names another inventor and was effectively filed before the effective filing date of the claimed invention.”

These provisions are subject to the exceptions of [35 U.S.C. 102\(b\)](#), and effective filing dates are determined pursuant to [35 U.S.C. 102\(d\)](#). For further information as to the first-inventor-to-file prior art regime, see [MPEP Chapter 700](#).

With respect to the first-to-invent prior art regime, prior art rejections may be based upon the following portions of prior [35 U.S.C. 102](#) (in effect prior to March 16, 2013):

“(a) . . . patented or described in a printed publication in this or a foreign country, before the invention thereof by the applicant for patent, or”

“(b) the invention was patented or described in a printed publication in this or a foreign country . . . more than one year prior to the date of the application for patent in the United States, or”

“(d) the invention was first patented or caused to be patented, or was the subject of an inventor’s certificate, by the applicant or his legal representatives or assigns in a foreign country prior to the date of the application for patent in this country on an application for patent or inventor’s certificate filed more than twelve months before the filing of the application in the United States, or”

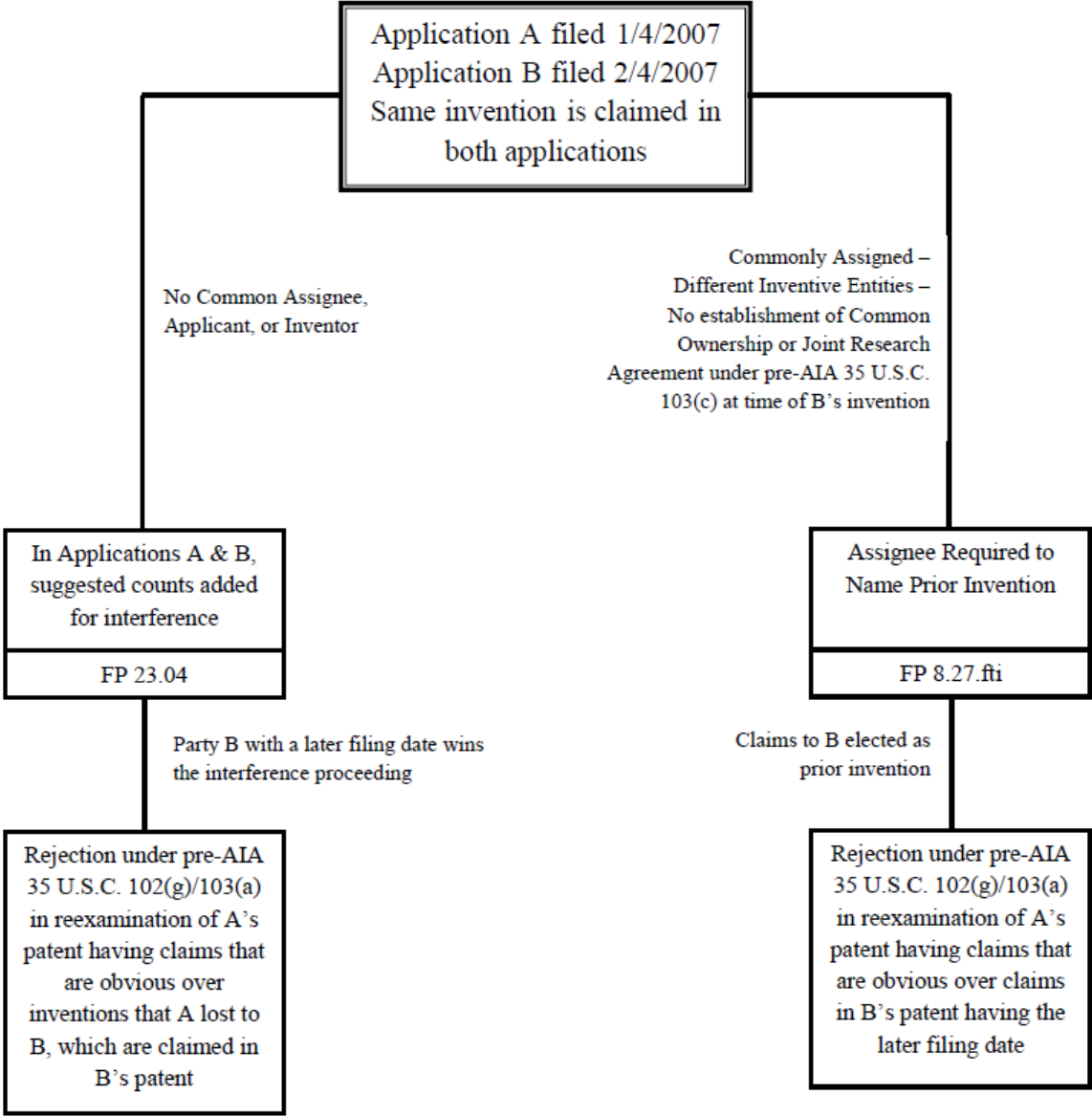
(e) the invention was described in — (1) an application for patent, published under [section 122\(b\)](#), by another filed in the United States before the invention by the applicant for patent or (2) a patent granted on an application for patent by another filed in the United States before the invention by the applicant for patent, except that an international application filed under the treaty defined in [section 351\(a\)](#) shall have the effects for the purposes of this subsection of an application filed in the United States only if the international application designated the United States and was published under [Article 21\(2\)](#) of such treaty in the English language; or”

“(g)... (2) before such person’s invention thereof, the invention was made in this country by another inventor who had not abandoned, suppressed, or concealed it. In determining priority of invention under this subsection, there shall be considered not only the respective dates of conception and reduction to practice of the invention, but also the reasonable diligence of one who was first to conceive and last to reduce to practice, from a time prior to conception by the other.”

All citations to 35 U.S.C. discussing the first-to-invent prior art regime are to the relevant statute in effect on March 15, 2013.

Typically, substantial new questions of patentability and rejections in a reexamination proceeding are based on “prior art” patents and publications. However, there are exceptions, even for reexaminations ordered under [35 U.S.C. 304](#). For example, in *In re Lonardo*, 119 F.3d 960, 43 USPQ2d 1262 (Fed. Cir. 1997), the Federal Circuit upheld a nonstatutory double patenting rejection in which the patent upon which the rejection was based and the patent under reexamination shared the same effective filing date. See also the discussion as to double patenting in subsection I.D. below. Analogously, for reexamination proceedings examined under the first-to-invent prior art regime, a [35 U.S.C. 102\(g\)\(2\)](#) rejection may be asserted in a reexamination proceeding based on the examples illustrated below:

Rejection of claims in patent with earlier filing date over claims of patent having later filing date, using pre-AIA 35 U.S.C. 102(g) in a manner analogous to double patenting



A. Previously Considered Prior Art Patents or Printed Publications

After reexamination is ordered based on a proper substantial new question of patentability, the propriety of making a ground of rejection based on prior art previously considered by the Office (in an earlier examination of the patent) is governed by the guidance set forth in [MPEP § 2258.01](#). Note also *In re Hiniker Co.*, 150 F.3d 1362, 1367, 47 USPQ2d 1523,1527 (Fed. Cir. 1998)(court held the reexamination proceeding was supported by a substantial new question of patentability where the rejection before the court was based on a combination of art that had been before the examiner during the original prosecution, and art newly cited during the reexamination proceeding. The court further stated that any error in the Commissioner’s authority to institute a reexamination was “washed clean” during the reexamination procedure.)

B. Matters Other Than Patents or Printed Publications in Reexaminations Ordered under 35 U.S.C. 304

Rejections will not be based on matters other than patents or printed publications, such as public use or sale, inventorship, [35 U.S.C. 101](#), conduct issues, etc. In this regard, see *In re Lanham*, 1 USPQ2d 1877 (Comm’r Pat. 1986), and *Stewart Systems v. Comm’r of Patents and Trademarks*, 1 USPQ2d 1879 (E.D. Va. 1986). A rejection on prior public use or sale, insufficiency of disclosure (with respect to original subject matter), etc., cannot be made even if it relies on a prior art patent or printed publication. Prior art patents or printed publications must be applied under an appropriate portion of [35 U.S.C. 102](#) and/or [103](#) when making a rejection.

C. Intervening Patents or Printed Publications

Rejections may be made in reexamination proceedings based on intervening patents or printed publications where the patent claims under reexamination are entitled only to the filing date of the patent and are not supported by an earlier foreign or United States patent application whose filing date is claimed. For example, under [35 U.S.C. 120](#), the effective date of these claims would be the filing date of the application which resulted in the patent.

Intervening patents or printed publications are available as prior art under *In re Ruscetta*, 255 F.2d 687, 118 USPQ 101 (CCPA 1958), and *In re van Langenhoven*, 458 F.2d 132, 173 USPQ 426 (CCPA 1972). See [MPEP § 211](#). See also *In re NTP, Inc.*, 654 F.3d 1268, 99 USPQ2d 1500 (Fed. Cir. 2011) (holding that the Office is not prohibited from performing a [35 U.S.C. 112](#) written description priority analysis during reexamination).

D. Double Patenting

Double patenting is normally proper for consideration in reexamination under [35 U.S.C. 302](#). See *In re Lonardo*, 119 F.3d 960, 43 USPQ2d 1262 (Fed. Cir. 1997). In *Lonardo*, the Federal Circuit reviewed and interpreted the language of [35 U.S.C. 303](#) and stated that:

Since the statute in other places refers to prior art in relation to reexamination, *see id.*, it seems apparent that Congress intended that the phrases ‘patents and publications’ and ‘other patents or printed publications’ in section 303(a) not be limited to prior art patents or printed publications. . . . Finally, it is reasonable to conclude that Congress intended to include double patenting over a prior patent as a basis for reexamination because maintenance of a patent that creates double patenting is as much of an imposition on the public as maintenance of patent that is unpatentable over prior art. Thus, we conclude that the PTO was authorized during reexamination to consider the question of double patenting based upon the ‘762 patent.

In re Lonardo, 119 F.3d at 966, 43 USPQ2d at 1266. Accordingly, the issue of double patenting, over prior art patents or non-prior art patents, is appropriate for consideration in reexamination under [35 U.S.C. 302](#), both as a basis for ordering reexamination under [35 U.S.C. 304](#) and during subsequent examination on the merits. The issue of double patenting is to be considered by the examiner when making the decision on the request for reexamination. The examiner should determine whether the issue of double patenting raises a substantial new question of patentability. The issue of double patenting is also to be considered during the examination stage of reexamination proceeding.

In the examination stage, the examiner should determine whether a rejection based on double patenting is appropriate.

Reexaminations ordered under [35 U.S.C. 257](#) may also involve double patenting grounds. See also *Ex parte Obiaya*, 227 USPQ 58, 60 (Bd. Pat. App. & Inter. 1985) (“Double patenting rejections are analogous to rejections under [35 U.S.C. 103](#) and depend on the presence of a prior patent as the basis for the rejection”).

See [MPEP § 804](#) to [§ 804.03](#) for discussion on double patenting.

E. Affidavits or Declarations or Other Written Evidence

Affidavits or declarations or other written evidence which explain the contents or pertinent dates of prior art patents or printed publications in more detail may be considered in reexamination.

In reexaminations ordered under [35 U.S.C. 304](#), any rejection must be based upon the prior art patents or printed publications as explained by the affidavits or declarations or other written evidence. The rejection in such circumstances cannot be based on the affidavits or declarations or other written evidence as such, but must be based on the prior art patents or printed publications.

F. Admissions; Use of Admissions in Reexaminations Filed under 35 U.S.C. 302 and Ordered under 35 U.S.C. 304

1. Initial Reexamination Determination and Order

The consideration under [35 U.S.C. 303](#) of a request for reexamination is limited to prior art patents and printed publications. See *Ex parte McGaughey*, 6 USPQ2d 1334, 1337 (Bd. Pat. App. & Inter. 1988). Thus an admission, *per se*, may not be the basis for establishing a substantial new question of patentability. However, an admission by the patent owner of record in the file or in a court record may be utilized in combination with a patent or printed publication. While such an admission may be utilized in combination with a patent or printed publication, a written statement of the patent owner submitted

pursuant to [37 CFR 1.501](#) and accompanying [37 CFR 1.510\(b\)\(2\)](#) explanation (of how each patent owner claim scope statement is being used to determine the proper meaning of patent claim) cannot be considered in making the initial reexamination determination and issuance of the order granting or denying reexamination. See [35 U.S.C. 301\(d\)](#).

2. Reexamination Ordered under 35 U.S.C. 304, Examination on the Merits

After reexamination has been ordered under [35 U.S.C. 304](#), the examination on the merits is dictated by [35 U.S.C. 305](#), see *Ex parte McGaughey*, 6 USPQ2d 1334, 1337 (Bd. Pat. App. & Inter. 1988).

[35 U.S.C. 301\(a\)\(2\)](#) permits a submission under [35 U.S.C. 301](#) to contain written “statements of the patent owner filed in a proceeding before a federal court or the Office in which the patent owner took a position on the scope of any claim of a particular patent.” This provision of the statute has been implemented via [37 CFR 1.501\(a\)\(2\)](#). If any statement of the patent owner submitted pursuant to [37 CFR 1.501\(a\)\(2\)](#) is relied upon in the request, requester must explain how that statement is being used to determine the proper meaning of a patent claim in connection with prior art applied to that claim. [37 CFR 1.510\(b\)\(2\)](#) requires that the “detailed explanation” of applying prior art provided in the request for *ex parte* reexamination must explain how each patent owner claim scope statement is being used to determine the proper meaning of each patent claim in connection with the prior art applied to that claim. The explanation will be considered by the Office during the examination stage, if reexamination is ordered, to determine the proper meaning of a patent claim in connection with prior art applied to that claim.

Further, admissions by the patent owner in the record as to matters affecting patentability may be utilized during a reexamination proceeding under [35 U.S.C. 302](#) in combination with a patent or printed publication with respect to the determination of anticipation and obviousness; see [37 CFR 1.104\(c\)\(3\)](#).

[37 CFR 1.104\(c\)\(3\)](#) provides that admissions by the patent owners as to matters affecting patentability may be utilized in a reexamination proceeding. The Supreme Court when discussing [35 U.S.C. 103](#) in *Graham v. John Deere Co.*, 383 U.S. 6, 148 USPQ 459 (1966) stated, *inter alia*, “the scope and content of the prior art are to be determined.” Accordingly, a proper evaluation of the scope and content of the prior art in determining obviousness would require a utilization of any “admission” by the patent owner which can be used to interpret or modify a patent or printed publication applied in a reexamination proceeding. This is true whether such admission results from a patent or printed publication or from some other source. An admission as to what is in the prior art is simply that, an admission, and requires no independent proof. It is an acknowledged, declared, conceded, or recognized fact or truth, *Ex parte McGaughey*, 6 USPQ2d 1334, 1337 (Bd. Pat. App. & Inter. 1988). While the scope and content of the admission may sometimes have to be determined, this can be done from the record and from the paper file or IFW file history in the same manner as with patents and printed publications. To ignore an admission by the patent owner, from any source, and not use the admission as part of the prior art *in conjunction with patents and printed publications* in reexamination would make it impossible for the examiner to properly determine the scope and content of the prior art as required by *Graham, supra*.

The Board upheld the use of an admission in a reexamination proceeding under [35 U.S.C. 302](#) in *Ex parte Seiko Koko Kabushiki Kaisha*, 225 USPQ 1260 (Bd. Pat. App. & Inter. 1984), *Ex parte Kimbell*, 226 USPQ 688 (Bd. Pat. App. & Inter. 1985) and in *Ex parte McGaughey*, 6 USPQ2d 1334 (Bd. Pat. App. & Inter. 1988). In *Seiko*, the Board relied on *In re Nomiya*, 509 F.2d 566, 184 USPQ 607 (CCPA 1975) holding an admission of prior art in the specification of the parent undergoing reexamination is considered prior art which may be considered as evidence of obviousness under [35 U.S.C. 103](#). In *Kimbell*, the Board referred to the patent specification and noted the admission by appellant that an explosion-proof housing was well known at the time of the invention. In *Ex parte McGaughey*, 6 USPQ2d 1334, 1337 (Bd. Pat. App. & Inter. 1988), the Board held that any

unequivocal admission relating to prior art is a fact which is part of the scope and content of the prior art and that prior art admissions established in the record are to be considered in reexamination. An admission from any source can be used with respect to interpreting or modifying a prior art patent or printed publication, in a reexamination proceeding. The Board expressly overruled the prior Board decision in *Ex parte Horton*, 226 USPQ 697 (Bd. Pat. App. & Inter. 1985) which held that admissions which are used as a basis for a rejection in reexamination must relate to patents and printed publications.

The admission can reside in the patent file (made of record during the prosecution of the patent application) or may be presented during the pendency of the reexamination proceeding or in litigation. Admissions by the patent owner as to any matter affecting patentability may be utilized to determine the scope and content of the prior art in conjunction with patents and printed publications in a prior art rejection, whether such admissions result from patents or printed publications or from some other source. An admission relating to *any* prior art (e.g., on sale, public use) established in the record or in court may be used by the examiner in combination with patents or printed publications in a reexamination proceeding under [35 U.S.C. 302](#). Any admission submitted by the patent owner is proper. A third party, however, may not submit admissions of the patent owner made outside the record of the file or the court record. Such a submission would be outside the scope of reexamination.

Reexaminations ordered under [35 U.S.C. 257](#) may involve an admission by the patent owner, and the admission need not be combined with patents or printed publications.

G. Claim Interpretation and Treatment

Original patent claims will be examined *only* on the basis of prior art patents or printed publications applied under the appropriate parts of [35 U.S.C. 102](#) and [103](#) in reexaminations ordered under [35 U.S.C. 304](#). See [MPEP § 2217](#). Where there is related litigation and a federal court has made a judicial interpretation of a disputed claim term, the examiner

in treating the disputed claim term should set forth the reasoning by, for example, acknowledging the judicial interpretation and assessing whether the judicial interpretation is consistent with the broadest reasonable construction of the term. Moreover, if adopting a different claim construction than the judicial interpretation, the examiner should supply reasoning to support the different interpretation.

[35 U.S.C. 301\(a\)\(2\)](#) permits a submission under [35 U.S.C. 301](#) to contain written “statements of the patent owner filed in a proceeding before a federal court or the Office in which the patent owner took a position on the scope of any claim of a particular patent.” This provision of the statute has been implemented via [37 CFR 1.501\(a\)\(2\)](#). Pursuant to [37 CFR 1.552](#), any written statement of the patent owner and any accompanying information submitted pursuant to [37 CFR 1.501\(a\)\(2\)](#) which is of record in the patent being reexamined (which includes any reexamination files for the patent) should be considered (after a reexamination proceeding has been ordered, but not at the order stage) to determine the proper meaning of a patent claim when applying patents or printed publications.

During reexamination ordered under [35 U.S.C. 304](#), and also during reexamination ordered under [35 U.S.C. 257](#), claims are given the broadest reasonable interpretation consistent with the specification and limitations in the specification are not read into the claims (*In re Yamamoto*, 740 F.2d 1569, 222 USPQ 934 (Fed. Cir. 1984)). In a reexamination proceeding involving claims of an expired patent, claim construction pursuant to the principle set forth by the court in *Phillips v. AWH Corp.*, 415 F.3d 1303, 1316, 75 USPQ2d 1321, 1329 (Fed. Cir. 2005) (words of a claim “are generally given their ordinary and customary meaning” as understood by a person of ordinary skill in the art in question at the time of the invention) should be applied since the expired claim are not subject to amendment. See *Ex parte Papst-Motoren*, 1 USPQ2d 1655 (Bd. Pat. App. & Inter. 1986). The statutory presumption of validity, [35 U.S.C. 282](#), has no application in reexamination (*In re Etter*, 756 F.2d 852, 225 USPQ 1 (Fed. Cir. 1985)).

II. COMPLIANCE WITH 35 U.S.C. 112

In reexaminations ordered under [35 U.S.C. 304](#), where new claims are presented or where any part of the disclosure is amended, the claims of the reexamination proceeding, are to be examined for compliance with [35 U.S.C. 112](#). Consideration of [35 U.S.C. 112](#) issues should, however, be limited to the amendatory (e.g., new language) matter. For example, a claim which is amended or a new claim which is presented containing a limitation not found in the original patent claim should be considered for compliance under [35 U.S.C. 112](#) only with respect to that limitation. To go further would be inconsistent with the statute to the extent that [35 U.S.C. 112](#) issues would be raised as to matter in the original patent claim. Thus, a term in a patent claim which the examiner might deem to be too broad cannot be considered as too broad in a new or amended claim *unless* the amendatory matter in the new or amended claim creates the issue. If a limitation that appears in an existing patent claim also appears in a claim newly presented in a reexamination proceeding, that limitation cannot be examined as to [35 U.S.C. 112](#). If a dependent claim is rewritten as an independent claim in a reexamination proceeding, that independent claim cannot be examined as to [35 U.S.C. 112](#), unless the nature of the rewriting raises a new question (e.g., by newly providing a lack of claim antecedent for a term in the claim). However, a specific determination regarding whether the claimed invention (including original patent claims) is entitled to a particular priority or benefit date is permitted. See *In re NTP, Inc.*, 654 F.3d 1268, 99 USPQ2d 1500 (Fed. Cir. 2011)(holding that the USPTO is not prohibited from performing a [35 U.S.C. 112](#) written description priority analysis during reexamination).

In contrast, reexaminations ordered under [35 U.S.C. 257](#) may involve any issues under [35 U.S.C. 112](#). Such issues are not limited to matter that has been added or deleted during reexamination. Issues under [35 U.S.C. 112](#) may also include the original subject matter of the patent under reexamination, including the original specification, claims, and drawings.

A. 35 U.S.C. 112 Issues To Be Considered in Reexaminations Ordered under 35 U.S.C. 304

Compliance of new or amended claims with the enablement and/or description requirements of the first paragraph of [35 U.S.C. 112](#) should be considered as to the amendatory and new text in the reexamination proceeding. Likewise, the examiner should determine whether the new or amended claims comply with the second paragraph of [35 U.S.C. 112](#). [MPEP § 2163](#) - [§ 2173.05\(v\)](#) provide extensive guidance as to these matters.

B. New Matter

[35 U.S.C. 305](#) provides for examination under [35 U.S.C. 132](#), which prohibits the introduction of new matter into the disclosure. Thus, the question of new matter should be considered in a reexamination proceeding. See [MPEP § 2163.06](#) as to the relationship of the written description requirement of the first paragraph of [35 U.S.C. 112](#) and the new matter prohibition under [35 U.S.C. 132](#). Where the new matter is added to the claims or affects claim limitations, the claims should be rejected under [35 U.S.C. 112](#), first paragraph, for failing to meet the written description requirement.

C. Amendment of the Specification

Where the specification is amended in a reexamination proceeding, the examiner should make certain that the requirements of [35 U.S.C. 112](#) are met. An amendment to the specification can redefine the scope of the terms in a claim such that the claim is no longer clear or is not supported by the specification. Thus, an amendment to the specification can result in the failure of the claims to comply with [35 U.S.C. 112](#), even where the claims are not amended in any respect.

III. CLAIMS IN PROCEEDING MUST NOT ENLARGE SCOPE OF THE CLAIMS OF THE PATENT

Where new or amended claims are presented or where any part of the disclosure is amended, the claims of the reexamination proceeding should be examined under [35 U.S.C. 305](#), to determine whether they enlarge the scope of the original claims.

[35 U.S.C. 305](#) states that “no proposed amended or new claim enlarging the scope of a claim of the patent will be permitted in a reexamination proceeding...”

A. Criteria for Enlargement of the Scope of the Claims

A claim presented in a reexamination proceeding “enlarges the scope” of the claims of the patent being reexamined where the claim is broader than each and every claim of the patent. See [MPEP § 1412.03](#) for guidance as to when the presented claim is considered to be a broadening claim as compared with the claims of the patent, i.e., what is broadening and what is not. If a claim is considered to be a broadening claim for purposes of reissue, it is likewise considered to be a broadening claim in reexamination.

B. Amendment of the Specification

Where the specification is amended in a reexamination proceeding, the examiner should make certain that the amendment to the specification does not enlarge the scope of the claims of the patent. An amendment to the specification can enlarge the scope of the claims by redefining the scope of the terms in a claim, even where the claims are not amended in any respect.

C. Rejection of Claims Where There Is Enlargement

Any claim in a reexamination proceeding which enlarges the scope of the claims of the patent should be rejected under [35 U.S.C. 305](#). Form paragraph 22.11 is to be employed in making the rejection.

¶ 22.11 Rejection, 35 U.S.C. 305, Claim Enlarges Scope of Patent - Ex Parte Reexamination

Claim [1] rejected under [35 U.S.C. 305](#) as enlarging the scope of the claim(s) of the patent being reexamined. In [35 U.S.C. 305](#), it is stated that “[n]o proposed amended or new claim enlarging the scope of a claim of the patent will be permitted in a reexamination proceeding...” A claim presented in a reexamination “enlarges the scope” of the patent claim(s) where the claim is broader than each and every claim of the patent. A claim is broader in scope than the original claims if it contains within its scope any conceivable product or process which would not have infringed the original patent. A claim is broadened if it is broader in any one respect, even though it may be narrower in other respects.

[2]

Examiner Note:

The claim limitations which are considered to broaden the scope should be identified and explained in bracket 2. See [MPEP § 2258](#).

IV. OTHER MATTERS**A. Patent Under Reexamination Subject of a Prior Office or Court Decision**

Where some of the patent claims in a patent being reexamined have been the subject of a prior Office or court decision, see [MPEP § 2242](#). Where other proceedings involving the patent are copending with the reexamination proceeding, see [MPEP § 2282 - § 2286](#).

Patent claims not subject to reexamination because of their prior adjudication by a court should be identified. See [MPEP § 2242](#). For handling a claim under reexamination which is dependent on a claim not subject to reexamination, see [MPEP § 2260.01](#). All added claims will be examined.

For reexaminations ordered under [35 U.S.C. 304](#), where grounds are set forth in a prior Office decision or federal court decision, which are not based on patents or printed publications and which clearly raise questions as to the validity of the claims, the examiner's Office action should clearly state that the claims have not been examined as to those grounds not based on patents or printed publications that were stated in the prior decision. See [37 CFR 1.552\(c\)](#). See *In re Knight*, 217 USPQ 294 (Comm'r Pat. 1982).

B. "Live" Claims That Are Reexamined During Reexamination

The Office's determination in both the order for reexamination and the examination stage of the reexamination will generally be limited solely to a review of the "live" claims (i.e., existing claims not held invalid by a final decision, after all appeals) for which reexamination has been requested. If the requester was interested in having all of the claims reexamined, requester had the opportunity to include them in its request for reexamination. However, if the requester chose not to do so, those claim(s) for which reexamination was not requested under [35 U.S.C. 302](#) will generally not be reexamined by the

Office. It is further noted that [35 U.S.C. 302](#) requires that "[t]he request must set forth the pertinency and manner of applying cited prior art to every claim for which reexamination is requested." If requester fails to apply the art to certain claims, requester is not statutorily entitled to reexamination of such claims. If a request fails to set forth the pertinency and manner of applying the cited art to any claim for which reexamination is requested as required by [37 CFR 1.510\(b\)](#), that claim will generally not be reexamined.

The decision to reexamine any claim for which reexamination has not been requested under [35 U.S.C. 302](#) lies within the sole discretion of the Office, to be exercised based on the individual facts and situation of each individual case. If the Office chooses to reexamine any claim for which reexamination has not been requested under [35 U.S.C. 302](#), it is permitted to do so. In addition, the Office may always initiate a reexamination on its own initiative of the non-requested claim ([35 U.S.C. 303\(a\)](#)).

Similarly, if prior art patents or printed publications are discovered during reexamination which raise a substantial new question of patentability as to one or more patent claims for which reexamination has not been ordered under [35 U.S.C. 304](#) (while reexamination has been ordered under [35 U.S.C. 304](#) for other claims in the patent), then such claims may be added, within the sole discretion of the Office, during the examination phase of the proceeding.

C. Restriction Not Proper in Reexamination

Restriction requirements cannot be made in a reexamination proceeding since no statutory basis exists for restriction in a reexamination proceeding. Note also that the addition of claims to a "separate and distinct" invention to the patent would be considered as being an enlargement of the scope of the patent claims. See *Ex parte Wikdahl*, 10 USPQ2d 1546 (Bd. Pat. App. & Inter. 1989). See [MPEP § 1412.03](#).

D. Ancillary Matters

There are matters ancillary to reexamination which are necessary and incident to patentability which will be considered. Amendments may be made to the specification to correct, for example, an inadvertent failure to claim foreign priority or the continuing status of the patent relative to a parent application if such correction is necessary to overcome a reference applied against a claim of the patent.

E. Claiming Foreign Priority and Domestic Benefit in Reexamination

See [MPEP § 2258.02](#) for guidance on claiming foreign priority or domestic benefit in a reexamination proceeding.

F. Correction of Inventorship

Correction of inventorship may also be made during reexamination. See [37 CFR 1.324](#) and [MPEP § 1481](#) for petition for correction of inventorship in a patent. If a petition filed under [37 CFR 1.324](#) is granted, a Certificate of Correction indicating the change of inventorship will not be issued, because the reexamination certificate that will ultimately issue will contain the appropriate change-of-inventorship information (i.e., the Certificate of Correction is in effect merged with the reexamination certificate).

G. Affidavits in Reexamination

Affidavits under [37 CFR 1.131\(a\)](#) and [1.132](#) may be utilized in a reexamination proceeding. Note, however, that an affidavit under [37 CFR 1.131\(a\)](#) may not be used to “swear behind” a reference patent if the reference patent is claiming the “same invention” as the patent undergoing reexamination. In such a situation, the patent owner may, if appropriate, seek to raise this issue via an affidavit under [37 CFR 1.131\(c\)](#) (see [MPEP § 718](#)) or in an interference or derivation proceeding via an appropriate reissue application if such a reissue application may be filed (see [MPEP § 1449.02](#)).

H. Issues Not Considered in Reexamination Ordered under 35 U.S.C. 304

If questions other than those indicated above (for example, questions of patentability based on public use or on sale, conduct issues, abandonment under [pre-AIA 35 U.S.C. 102\(c\)](#) for a patent that was examined under the first-to-invent prior art regime, etc.) are raised by the third party requester or the patent owner during a reexamination proceeding, the existence of such questions will be noted by the examiner in an Office action. Such questions could arise in a reexamination requester’s [37 CFR 1.510](#) request or in a [37 CFR 1.535](#) reply by the requester. Note form paragraph 22.03.

¶ 22.03 Issue Not Within Scope of Ex Parte Reexamination

An issue has been raised in the present reexamination proceeding that is not within the scope of an *ex parte* reexamination ordered under [35 U.S.C. 304](#). [1]. This issue will not be considered in the present proceeding. [37 CFR 1.552\(c\)](#).

Examiner Note:

1. In bracket 1, identify the issues.
2. This paragraph may be used either when the patent owner or third party requester raises issues such as public use or on sale, conduct, or abandonment of the invention. Such issues should not be raised independently by the patent examiner.

If questions of patentability based on public use or on sale, conduct issues, abandonment under [pre-AIA 35 U.S.C. 102\(c\)](#) for reexamination proceedings under [35 U.S.C. 302](#) examined under the first-to-invent prior art regime, etc. are independently discovered by the examiner during a reexamination proceeding but were not raised by the third party requester or the patent owner, the existence of such questions will not be noted by the examiner in an Office action, because [37 CFR 1.552\(c\)](#) is only directed to such questions “raised by the patent owner or the third party requester.”

I. Request for Reexamination under 35 U.S.C. 302 Filed on Patent After It Has Been Reissued

Where a request for reexamination under [35 U.S.C. 302](#) is filed on a patent after it has been reissued, reexamination will be denied because the patent on which the request for reexamination is based has been surrendered. Should reexamination of the reissued patent be desired, a new request for reexamination including, and based on, the

specification and claims of the reissue patent must be filed.

Any amendment submitted by the patent owner to accompany the initial reexamination request under [35 U.S.C. 302](#), or filed after reexamination has been ordered under [35 U.S.C. 304](#) (or, for that matter, under [35 U.S.C. 257](#)), should treat the changes made by the granted reissue patent as the text of the patent, and all bracketing and underlining made with respect to the patent **as changed by the reissue**.

Where the reissue patent issues after the filing of a request for reexamination, see [MPEP § 2285](#).

J. No Preissuance Submissions

Because a reexamination proceeding is a post-issuance proceeding, a preissuance submission under [35 U.S.C. 122\(e\)](#) is not permitted to be filed in a reexamination proceeding; [35 U.S.C. 122\(e\)](#) is limited to preissuance submissions by third parties in patent applications. A preissuance submission filed in a reexamination proceeding is not to be entered, and will be expunged if it is inadvertently entered.

2258.01 Use of Previously Cited/Considered Art in Rejections [R-08.2017]

In the examining stage of a reexamination proceeding, the examiner will consider whether the claims are subject to rejection based on art. Before making such a rejection, the examiner should check the patent's file history to ascertain whether the art that will provide the basis for the rejection was previously cited/considered in an earlier concluded Office examination of the patent (e.g., in the examination of the application for the patent). For the sake of expediency, such art is referred to as "old art" throughout, since the term "old art" was coined by the Federal Circuit in its decision of *In re Hiniker*, 150 F.3d 1362, 1365-66, 47 USPQ2d 1523, 1526 (Fed. Cir. 1998).

If the rejection to be made by the examiner will be based on a combination of "old art" and art newly cited during the reexamination proceeding, the rejection is proper, and should be made. See *In re Hiniker*, 150 F.3d at 1367, 47 USPQ2d at 1527.

(Court held the reexamination proceeding was supported by a substantial new question of patentability where the rejection before the court was based on a combination of art that had been before the examiner during the original prosecution, and art newly cited during the reexamination proceeding.)

If the "old art" provides the **sole basis** for a rejection, the following applies:

(A) Reexamination was ordered on or after November 2, 2002:

For a reexamination that was ordered on or after November 2, 2002 (the date of enactment of Public Law 107-273; see Section 13105, of the Patent and Trademark Office Authorization Act of 2002), reliance solely on old art (as the basis for a rejection) does not necessarily preclude the existence of a substantial new question of patentability (SNQ) that is based exclusively on that old art. Determinations on whether a SNQ exists in such an instance shall be based upon a fact-specific inquiry done on a case-by-case basis. For example, a SNQ may be based solely on old art where the old art is being presented/viewed in a new light, or in a different way, as compared with its use in the earlier concluded examination(s), in view of a material new argument or interpretation presented in the request.

When an Office action is being considered, and it is newly determined that a SNQ based solely on old art is raised by a request in a reexamination that was ordered on or after November 2, 2002, form paragraph 22.01.01 should be included in the Office action. Form paragraph 22.01.01 should be included in any Office action in which a SNQ based solely on the old art is first set forth (i.e., it was not set forth in the order granting reexamination or a prior Office action in the proceeding).

¶ 22.01.01 Criteria for Applying Old Art as Sole Basis for Reexamination

The above [1] is based solely on patents and/or printed publications already cited/considered in an earlier concluded examination or review of the patent being reexamined, or has been raised to or by the Office in a pending reexamination or supplemental examination of the patent. On November 2, 2002, Public Law 107-273 was enacted. Title III, Subtitle A, Section 13105, part (a) of the Act revised the reexamination statute by

adding the following new last sentence to [35 U.S.C. 303\(a\)](#) and [312\(a\)](#):

"The existence of a substantial new question of patentability is not precluded by the fact that a patent or printed publication was previously cited by or to the Office or considered by the Office."

For any reexamination ordered on or after November 2, 2002, the effective date of the statutory revision, reliance on previously cited/considered art, i.e., "old art," does not necessarily preclude the existence of a substantial new question of patentability (SNQ) that is based exclusively on that old art. Rather, determinations on whether a SNQ exists in such an instance shall be based upon a fact-specific inquiry done on a case-by-case basis.

In the present instance, there exists a SNQ based solely on [2]. A discussion of the specifics now follows:

[3]

Examiner Note:

1. In bracket 1, insert "substantial new question of patentability" if the present form paragraph is used in an order granting reexamination (or a TC or CRU Director's decision on petition of the denial of reexamination). If this form paragraph is used in an Office action, insert "ground of rejection."
2. In bracket 2, insert the old art that is being applied as the sole basis of the SNQ. For example, "the patent to J. Doe" or "the patent to J. Doe when taken with the Jones publication" or "the combination of the patent to J. Doe and the Smith publication" could be inserted. Where more than one SNQ is presented based solely on old art, the examiner would insert all such bases for SNQ.
3. In bracket 3, for each basis identified in bracket 2, explain how and why that fact situation applies in the proceeding being acted on. The explanation could be for example that the old art is being presented/viewed in a new light, or in a different way, as compared with its use in the earlier examination(s), in view of a material new argument or interpretation presented in the request. See *Ex parte Chicago Rawhide Mfg. Co.*, 223 USPQ 351 (Bd. Pat. App. & Inter. 1984).
4. This form paragraph is only used the first time the "already cited/considered" art is applied, and is not repeated for the same art in subsequent Office actions.

(B) Reexamination was ordered **prior to November 2, 2002**:

For a reexamination that was ordered prior to November 2, 2002, old art **cannot** (subject to the exceptions set forth below) be used as the **sole basis** for a rejection.

In determining the presence or absence of "a substantial new question of patentability" on which

to base a rejection, the use of "old art" in a reexamination that was ordered prior to November 2, 2002, is controlled by *In re Portola Packaging Inc.*, 110 F.3d 786, 42 USPQ2d 1295 (Fed. Cir. 1997). (Note that *Portola Packaging* was decided based on the reexamination statute as it existed prior to the amendment by Public Law 107-273, Section 13105 of the Patent and Trademark Office Authorization Act of 2002). The amendment by Public Law 107-273, Section 13105, overruled the *Portola Packaging* decision for any reexamination that was ordered on or after November 2, 2002. See *In re Bass*, 314 F.3d 575, 576-77, 65 USPQ2d 1156, 1157 (Fed. Cir. 2002) where the court stated in the sole footnote:

On November 2, 2002, 35 U.S.C. 303(a) was amended by the passage of Pub. L. No. 107-273, 13105, (116 Stat.) 1758, 1900, to add "[t]he existence of a substantial new question of patentability is not precluded by the fact that a patent or printed publication was previously cited by or to the Office or considered by the Office," thereby overruling *Portola Packaging*.

The following guidelines are provided for reviewing ongoing reexaminations ordered **prior to November 2, 2002**, for compliance with the *Portola Packaging* decision.

(1) General principles governing compliance with *Portola Packaging* for ongoing reexaminations ordered prior to November 2, 2002.

If prior art was previously relied upon to reject a claim in a concluded prior related Office proceeding, the Office will not conduct reexamination based only on such prior art. "Prior related Office proceedings" include the application which matured into the patent that is being reexamined, any reissue application for the patent, and any reexamination proceeding for the patent.

If prior art was not relied upon to reject a claim, but was cited in the record of a concluded prior related Office proceeding, and its relevance to the patentability of any claim was actually discussed on the record, the Office will not conduct reexamination based only on such prior art. The relevance of the prior art to patentability may have been discussed

by the applicant, patentee, examiner, or any third party. However, [37 CFR 1.2](#) requires that all Office business be transacted in writing. Thus, the Office cannot presume that a prior art reference was previously relied upon or discussed in a prior Office proceeding if there is no basis in the written record to so conclude other than the examiner's initials or a check mark on a form PTO/SB/08A or 08B, or PTO/SB/42 (or on a form having a format equivalent to one of these forms) submitted with an information disclosure statement. Thus, any specific discussion of prior art must appear on the record of a prior related Office proceeding. Generalized statements such as the prior art is "cited to show the state of the art," "cited to show the background of the invention," or "cited of interest" would not preclude reexamination.

The Office may conduct reexamination based on prior art that was cited but whose relevance to patentability of the claims was not discussed in any prior related Office proceeding.

(2) Procedures for determining whether the prosecution of an ongoing reexamination must be terminated in compliance with *Portola Packaging*.

Office personnel must adhere to the following procedures when determining whether the prosecution of an ongoing reexamination should be terminated in compliance with the Federal Circuit's decision in *Portola Packaging*.

(a) Ascertain that the order granting reexamination was mailed prior to November 2, 2002. If the order granting reexamination was not mailed prior to November 2, 2002, see above "Reexamination was ordered on or after November 2, 2002" for guidance.

(b) Prior to making any rejection in the ongoing reexamination, determine for any prior related Office proceeding what prior art was (i) relied upon to reject any claim, or (ii) cited and discussed.

(c) Base any and all rejections of the patent claims under reexamination at least in part on prior art that was, in any prior related Office proceeding, neither (i) relied upon to reject any claim, nor (ii) cited and its relevance to patentability of any claim discussed.

(d) Withdraw any rejections based only on prior art that was, in any prior related Office

proceeding, previously either (i) relied upon to reject any claim, or (ii) cited and its relevance to patentability of any claim discussed.

(e) Terminate the prosecution of any reexamination in which the only remaining rejections are entirely based on prior art that was, in any prior related Office proceeding, previously (i) relied upon to reject any claim, and/or (ii) cited and its relevance to patentability of a claim discussed.

The Director of the USPTO may conduct a search for new art to determine whether a substantial new question of patentability exists prior to terminating the prosecution of any ongoing reexamination proceeding. See [35 U.S.C. 303](#). See also [35 U.S.C. 305](#) (indicating that "reexamination will be conducted according to the procedures established for initial examination," thereby suggesting that the Director of the USPTO may conduct a search during an ongoing reexamination proceeding).

(3) Application of *Portola Packaging* to unusual fact patterns.

The Office recognizes that each case must be decided on its particular facts and that cases with unusual fact patterns will occur. In such a case, the reexamination should be brought to the attention of the Central Reexamination Unit (CRU) or Technology Center (TC) Director who will then determine the appropriate action to be taken.

Unusual fact patterns may appear in cases in which prior art was relied upon to reject any claim or cited and discussed with respect to the patentability of a claim in a prior related Office proceeding, but other evidence clearly shows that the examiner did not appreciate the issues raised in the reexamination request or the ongoing reexamination with respect to that art. Such other evidence may appear in the reexamination request, in the nature of the prior art, in the prosecution history of the prior examination, or in an admission by the patent owner, applicant, or inventor. See [37 CFR 1.104\(c\)\(3\)](#).

The following examples are intended to be illustrative and not inclusive.

For example, if a textbook was cited during prosecution of the application which matured into

the patent, the record of that examination may show that only select information from the textbook was discussed with respect to the patentability of the claims. The file history of the prior Office proceeding should indicate which portion of the textbook was previously considered. See [37 CFR 1.98\(a\)\(2\)\(ii\)](#) (an information disclosure statement must include a copy of each “publication or that portion which caused it to be listed”). If a subsequent reexamination request relied upon other information in the textbook that actually teaches what is required by the claims, it may be appropriate to rely on this other information in the textbook to order and/or conduct reexamination. However, a reexamination request that merely provides a new interpretation of a reference already previously relied upon or actually discussed by the Office does not create a substantial new question of patentability.

Another example involves the situation where an examiner discussed a reference in a prior Office proceeding, but did not either reject a claim based upon the reference or maintain the rejection based on the mistaken belief that the reference did not qualify as prior art. For example, the examiner may not have believed that the reference qualified as prior art because: (i) the reference was undated or was believed to have a bad date; (ii) the applicant submitted a declaration believed to be sufficient to antedate the reference under [37 CFR 1.131\(a\)](#); or (iii) the examiner attributed an incorrect filing date to the claimed invention. If the reexamination request were to explain how and why the reference actually does qualify as prior art, it may be appropriate to rely on the reference to order and/or conduct reexamination. For example, the request could: (i) verify the date of the reference; (ii) undermine the sufficiency of the declaration filed under [37 CFR 1.131\(a\)](#) (by a showing of an inaccuracy/mistake of fact in the declaration); or (iii) explain the correct filing date accorded a claim where the issue was not previously addressed in an earlier examination of the patent. See e.g., *Heinl v. Godici*, 143 F. Supp.2d 593 (E.D.Va. 2001) (reexamination on the basis of art previously presented without adequate proof of date may proceed if prior art status is now established).

Another example involves foreign language prior art references. If a foreign language prior art

reference was cited and discussed in any prior Office proceeding but the foreign language prior art reference was never completely and accurately translated into English during the original prosecution, *Portola Packaging* may not prohibit reexamination over a complete and accurate translation of that foreign language prior art reference. Specifically, if a reexamination request were to explain why a more complete and accurate translation of that same foreign language prior art reference actually teaches what is required by the patent claims, it may be appropriate to rely on the foreign language prior art reference to order and/or conduct reexamination.

Another example of an unusual fact pattern involves cumulative references. To the extent that a cumulative reference is repetitive of a prior art reference that was previously applied or discussed, *Portola Packaging* may prohibit reexamination of the patent claims based only on the repetitive reference. For purposes of reexamination, a cumulative reference that is repetitive is one that substantially reiterates verbatim the teachings of a reference that was either previously relied upon or discussed in a prior Office proceeding even though the title or the citation of the reference may be different. However, it is expected that a repetitive reference which cannot be considered by the Office during reexamination will be a rare occurrence since most references teach additional information or present information in a different way than other references, even though the references might address the same general subject matter.

(4) Notices regarding compliance with *Portola Packaging*.

(a) If the prosecution of an ongoing reexamination is terminated under (2)(e) above in order to comply with the Federal Circuit’s decision in *Portola Packaging*, the Notice of Intent to Issue *Ex Parte* Reexamination Certificate should state:

“The prosecution of this reexamination is terminated based on *In re Portola Packaging, Inc.*, 110 F.3d 786, 42 USPQ2d 1295 (Fed. Cir. 1997). No patentability determination has been made in this reexamination proceeding.”

(b) If a rejection in the reexamination has previously been issued and that rejection is withdrawn under (2)(d) above in order to comply with the Federal Circuit's decision in *Portola Packaging*, the Office action withdrawing such rejection should state:

“The rejection(s) based upon _____ is/are withdrawn in view of *In re Portola Packaging, Inc.*, 110 F.3d 786, 42 USPQ2d 1295 (Fed. Cir. 1997). No patentability determination of the claims of the patent in view of such prior art has been made in this reexamination proceeding.”

2258.02 Claiming Foreign Priority and Domestic Benefit in Reexamination [R-08.2017]

The patent owner may correct the failure to adequately claim foreign priority or domestic benefit in a patent to be reexamined during reexamination in accordance with the guidelines set forth in this section. However, a renewal of previously made claims for foreign priority under [35 U.S.C. 119](#) or domestic benefit under [35 U.S.C. 119\(e\)](#) or [120](#), is not necessary during reexamination. Note that a design application cannot claim the benefit of a provisional application. See [MPEP § 211.02](#), subsection III; see also [MPEP § 1504.20](#) for benefit information specific to design applications.

I. FOREIGN PRIORITY

A. Claim Made Before Patent Granted; Certified Copy Needed to Perfect Priority

The patent owner may obtain the right of foreign priority under [35 U.S.C. 119\(a\)-\(d\)](#) where a claim for priority had been made before the patent was granted, and it is only necessary for submission of the certified copy in the reexamination proceeding to perfect priority.

However, where a petition to accept a delayed certified copy under [37 CFR 1.55\(f\) or \(g\)](#) is required (such as, for example, when the application which matured in the patent to be reexamined was filed on or after March 16, 2013), a grantable petition, the appropriate fee, and any required attachments must

be filed in the file of the application that matured into the patent to be reexamined. See [MPEP § 215.02](#) for further guidance. In addition, a letter must be filed as a separate paper in the reexamination proceeding, notifying the Office that a petition to accept a delayed certified copy under [37 CFR 1.55\(f\) or \(g\)](#), the appropriate fee, and any required attachments was or is being concurrently filed in the file of the patent to be reexamined. When a decision on the petition to accept a delayed certified copy under [37 CFR 1.55\(f\) or \(g\)](#) is rendered in the file of the application that matured into the patent to be reexamined, a copy of the decision will also be placed in the file of the reexamination proceeding.

B. Submitting for the First Time Both the Claim for Foreign Priority and the Certified Copy

The patent owner may obtain the right of foreign priority under [35 U.S.C. 119\(a\)-\(d\)](#) where the claim for foreign priority was not previously made. However, a grantable petition for an unintentionally delayed priority claim under [37 CFR 1.55\(e\)](#) must be filed. The petition, and any required attachments, must be filed in the file of the application which matured into the patent to be reexamined, and a letter must be filed in the reexamination proceeding as a separate paper notifying the Office that the petition and accompanying attachments was or is concurrently being filed in the application (identifying the application number) which matured into the patent to be reexamined, according to the following guidance:

1. Application Which Became Patent to be Reexamined Filed On or After September 16, 2012

If the patent to be reexamined matured from an application filed on or after September 16, 2012, the patent owner must file in the File of the Application Which Matured into the Patent to be Reexamined:

(a) A grantable petition for an unintentionally delayed priority claim under [37 CFR 1.55\(e\)](#);

(b) An application data sheet ([37 CFR 1.76\(b\)\(6\)](#)), identifying the foreign application to which priority is claimed, by specifying the application number, country (or intellectual property authority), day, month, and year of its filing, unless previously submitted;

(c) A certified copy of the foreign application, unless previously submitted, or the exception in [37 CFR 1.55\(h\)](#) is applicable;

(d) The petition fee as set forth in [37 CFR 1.17\(m\)](#); and

(e) A statement that the entire delay between the date the priority claim was due under [37 CFR 1.55](#) and the date the priority claim was filed was unintentional. The Director may require additional information where there is a question whether the delay was unintentional.

(f) In the Reexamination Proceeding:

A letter, as a separate paper, notifying the Office that items (a)-(e), as applicable, was or is concurrently being filed in the file of the application which matured into the patent to be reexamined.

When a decision on the petition for an unintentionally delayed priority claim under [37 CFR 1.55\(e\)](#) is rendered in the file of the application which matured into the patent to be reexamined, a copy of the decision will also be placed in the file of the reexamination proceeding. In addition, if the petition is granted, a copy of the application data sheet which was determined by the Office in its decision to meet the requirements of [37 CFR 1.55\(e\)](#) (and all other applicable requirements), will also be placed in the file of the reexamination proceeding.

2. Application Which Became Patent to be Reexamined Filed Before September 16, 2012

If the patent to be reexamined matured from an application filed before September 16, 2012, the patent owner must file in the File of the Application Which Matured into the Patent to be Reexamined:

(a) A grantable petition for an unintentionally delayed priority claim under [37 CFR 1.55\(e\)](#);

(b) Unless previously submitted, either (i) an application data sheet ([37 CFR 1.76\(b\)\(6\)](#)) or (ii) an oath or declaration under [37 CFR 1.63](#); where the application data sheet, oath or declaration, whichever is filed, identifies the foreign application to which priority is claimed, by specifying the application number, country (or intellectual property authority), day, month, and year of its filing (see [37 CFR 1.55\(n\)](#));

(c) A certified copy of the foreign application, unless previously submitted, or the exception in [37 CFR 1.55\(h\)](#) is applicable;

(d) The petition fee as set forth in [37 CFR 1.17\(m\)](#); and

(e) A statement that the entire delay between the date the priority claim was due under [37 CFR 1.55](#) and the date the priority claim was filed was unintentional. The Director may require additional information where there is a question whether the delay was unintentional.

(f) In the Reexamination Proceeding:

A letter, as a separate paper, notifying the Office that items (a)-(e), as applicable, was or is concurrently being filed in the file of the application which matured into the patent to be reexamined.

When a decision on the petition for an unintentionally delayed priority claim under [37 CFR 1.55\(e\)](#) is rendered in the file of the application which matured into the patent to be reexamined, a copy of the decision will also be placed in the file of the reexamination proceeding. In addition, if the petition is granted, a copy of the application data sheet, oath, or declaration, which was determined by the Office in its decision to meet the requirements of [37 CFR 1.55\(e\)](#) (and all other applicable requirements), will also be placed in the file of the reexamination proceeding.

For further guidance on the requirements for a grantable petition for an unintentionally delayed priority claim under [37 CFR 1.55\(e\)](#), see [MPEP § 214.02](#).

C. Restoring Right of Foreign Priority Where the Filing of the Subsequent Application Was Delayed

The patent owner may also restore the right of foreign priority under [35 U.S.C. 119\(a\)-\(d\)](#) where the filing of the subsequent application was delayed, in accordance with [37 CFR 1.55\(c\)](#). A grantable petition to restore the right of foreign priority and any required attachments, including an application data sheet, must be filed in the application specified in [37 CFR 1.55\(c\)](#), not in the reexamination proceeding. A letter must be filed in the reexamination proceeding as a separate paper notifying the Office that the petition and

accompanying attachments was or is concurrently being filed in the application specified in [37 CFR 1.55\(c\)](#) (identifying the application number).

When a decision on the petition to restore the right of foreign priority under [37 CFR 1.55\(c\)](#) is rendered in the file of the application specified in [37 CFR 1.55\(c\)](#), a copy of the decision will also be placed in the file of the reexamination proceeding. In addition, if the petition is granted, a copy of the application data sheet which was determined by the Office in its decision to meet the requirements of [37 CFR 1.55\(c\)](#) (and all other applicable requirements), will also be placed in the file of the reexamination proceeding.

For further guidance on the requirements for a grantable petition to restore the right of foreign priority under [37 CFR 1.55\(c\)](#), see [MPEP § 213.03](#), subsection III.

II. DOMESTIC BENEFIT

A. *Claiming Benefit under 35 U.S.C. 120*

The patent owner may also correct the failure to adequately claim (in the application for the patent to be reexamined) benefit under [35 U.S.C. 120](#) of an earlier filed copending U.S. patent application. For a patent to be reexamined, a grantable petition for an unintentionally delayed benefit claim under [37 CFR 1.78\(e\)](#) must be filed. The petition, and any required attachments (with the exception of an amendment to the first sentence(s) of the specification if the application which matured into the patent to be reexamined is a nonprovisional application filed before September 16, 2012 – see subsection II.A.2. below), must be filed in the file of the application which matured into the patent to be reexamined, and a letter must be filed in the reexamination proceeding as a separate paper notifying the Office that the petition and accompanying attachments was or is concurrently being filed in the application (identifying the application number) which matured into the patent to be reexamined, according to the following guidance:

1. **Application Which Became Patent to be Reexamined Filed On or After September 16, 2012**

If the patent to be reexamined matured from an application filed on or after September 16, 2012, the patent owner must file in the File of the Application Which Matured into the Patent to be Reexamined:

- (a) A grantable petition for an unintentionally delayed benefit claim under [37 CFR 1.78\(e\)](#);
- (b) An application data sheet including the reference required by [35 U.S.C. 120](#) and [37 CFR 1.78\(d\)\(2\)](#) to the prior-filed application ([37 CFR 1.76\(b\)\(5\)](#)), unless previously submitted;
- (c) The petition fee as set forth in [37 CFR 1.17\(m\)](#); and
- (d) A statement that the entire delay between the date the benefit claim was due under [37 CFR 1.78\(d\)\(3\)](#) and the date the benefit claim was filed was unintentional. The Director may require additional information where there is a question whether the delay was unintentional.
- (e) In the Reexamination Proceeding:

A letter, as a separate paper, notifying the Office that items (a)-(d), as applicable, was or is concurrently being filed in the file of the application which matured into the patent to be reexamined.

When a decision on the petition for an unintentionally delayed benefit claim under [37 CFR 1.78\(e\)](#) is rendered in the file of the application which matured into the patent to be reexamined, a copy of the decision will also be placed in the file of the reexamination proceeding. In addition, if the petition is granted, a copy of the application data sheet which was determined by the Office in its decision to meet the requirements of [37 CFR 1.78\(e\)](#) (and all other applicable requirements), will also be placed in the file of the reexamination proceeding.

2. **Application Which Became Patent to be Reexamined Filed Before September 16, 2012**

If the patent to be reexamined matured from an application filed before September 16, 2012, the patent owner must file in the File of the Application Which Matured into the Patent to be Reexamined:

(a) A grantable petition for an unintentionally delayed benefit claim under [37 CFR 1.78\(e\)](#);

(b) If the patent owner does not choose to file an amendment as set forth in (e) below in the reexamination proceeding, an application data sheet including the reference required by [35 U.S.C. 120](#) and [37 CFR 1.78\(d\)\(2\)](#) to the prior-filed application ([37 CFR 1.76\(b\)\(5\)](#)), unless previously submitted;

(c) The petition fee as set forth in [37 CFR 1.17\(m\)](#); and

(d) A statement that the entire delay between the date the benefit claim was due under [37 CFR 1.78\(d\)\(3\)](#) and the date the benefit claim was filed was unintentional. The Director may require additional information where there is a question whether the delay was unintentional.

(e) In the Reexamination Proceeding:

If the patent owner does not choose to file an application data sheet as set forth in (b) above in the application which matured into the patent to be reexamined, an amendment inserting the reference required by [35 U.S.C. 120](#) and [37 CFR 1.78\(d\)\(2\)](#) to the prior-filed application in the first sentence(s) of the specification following the title as set forth in [37 CFR 1.78\(h\)](#), unless previously submitted; and

(f) In the Reexamination Proceeding: A letter, as a separate paper, notifying the Office that items (a)-(d), as applicable, was or is concurrently being filed in the file of the application which matured into the patent to be reexamined.

When a decision on the petition for an unintentionally delayed benefit claim under [37 CFR 1.78\(e\)](#) is rendered in the file of the application which matured into the patent to be reexamined, a copy of the decision will also be placed in the file of the reexamination proceeding. In addition, if the petition is granted, a copy of any application data sheet, where applicable, which was determined by the Office in its decision to meet the requirements of [37 CFR 1.78\(e\)](#) (and all other applicable requirements), will also be placed in the file of the reexamination proceeding.

Note, if the application which matured into the patent to be reexamined is a nonprovisional application filed before September 16, 2012, the patent owner must choose to **either** (i) file, in the application

which matured into the patent to be reexamined, an application data sheet including the reference required by [35 U.S.C. 120](#) and [37 CFR 1.78\(d\)\(2\)](#) to the prior-filed application ([37 CFR 1.76\(b\)\(5\)](#)), unless previously submitted; **or** (ii) file, in the reexamination proceeding, an amendment inserting the reference required by [35 U.S.C. 120](#) and [37 CFR 1.78\(d\)\(2\)](#) to the prior-filed application in the first sentence(s) of the specification following the title as set forth in [37 CFR 1.78\(h\)](#), unless previously submitted. See (b) and (e) above.

For further guidance on the requirements for a petition for an unintentionally delayed benefit claim under [37 CFR 1.78\(e\)](#), see [MPEP § 211.04](#).

B. Claiming Benefit under 35 U.S.C. 119(e)

The patent owner may correct, in a patent to be reexamined which matured from a utility or plant application, the failure to adequately claim benefit under [35 U.S.C. 119\(e\)](#) of an earlier filed provisional application. A design application cannot claim the benefit of a provisional application. See [MPEP § 211.02](#); see also [MPEP § 1504.20](#) for benefit information specific to design applications.

In order to make such a correction in a utility or plant patent, the patent owner must file a grantable petition for an unintentionally delayed claim under [35 U.S.C. 119\(e\)](#), pursuant to [37 CFR 1.78\(c\)](#). The petition, and any required attachments (with the exception of an amendment to the first sentence(s) of the specification if the application which matured into the patent to be reexamined is a nonprovisional utility or plant application filed before September 16, 2012 – see subsection II.B.2. below), must be filed in the file of the application which matured into the patent to be reexamined, and a letter must be filed in the reexamination proceeding as a separate paper notifying the Office that the petition and accompanying attachments was or is concurrently being filed in the application (identifying the application number) which matured into the patent to be reexamined, according to the following guidance:

1. Application Which Became Patent to be Reexamined Filed On or After September 16, 2012

If the patent to be reexamined matured from a utility or plant application filed on or after September 16, 2012, the patent owner must file in the File of the Application Which Matured into the Patent to be Reexamined:

- (a) A grantable petition for an unintentionally delayed claim under [35 U.S.C. 119\(e\)](#), pursuant to [37 CFR 1.78\(c\)](#);
- (b) An application data sheet including the reference required by [35 U.S.C. 119\(e\)](#) and [37 CFR 1.78\(a\)\(3\)](#) to the prior-filed provisional application; unless previously submitted;
- (c) The petition fee as set forth in [37 CFR 1.17\(m\)](#); and
- (d) A statement that the entire delay between the date the benefit claim was due under [37 CFR 1.78\(a\)\(4\)](#) and the date the benefit claim was filed was unintentional. The Director may require additional information where there is a question whether the delay was unintentional.
- (e) In the Reexamination Proceeding:

A letter, as a separate paper, notifying the Office that items (a)-(d), as applicable, was or is concurrently being filed in the file of the application which matured into the patent to be reexamined.

When a decision on the petition for an unintentionally delayed claim under [35 U.S.C. 119\(e\)](#) is rendered in the file of the application which matured into the patent to be reexamined, a copy of the decision will also be placed in the file of the reexamination proceeding. In addition, if the petition is granted, a copy of the application data sheet which was determined by the Office in its decision to meet the requirements of [35 U.S.C. 119\(e\)](#) (and all other applicable requirements), will also be placed in the file of the reexamination proceeding.

2. Application Which Became Patent to be Reexamined Filed Before September 16, 2012

If the patent to be reexamined matured from a utility or plant application filed before September 16, 2012, the patent owner must file in the File of the

Application Which Matured into the Patent to be Reexamined:

- (a) A grantable petition for an unintentionally delayed claim under [35 U.S.C. 119\(e\)](#), pursuant to [37 CFR 1.78\(c\)](#);
- (b) If the patent owner does not choose to file an amendment as set forth in (e) below in the reexamination proceeding, an application data sheet including the reference required by [35 U.S.C. 119\(e\)](#) and [37 CFR 1.78\(a\)\(3\)](#) to the prior-filed provisional application; unless previously submitted;
- (c) The petition fee as set forth in [37 CFR 1.17\(m\)](#); and
- (d) A statement that the entire delay between the date the benefit claim was due under [37 CFR 1.78\(a\)\(4\)](#) and the date the benefit claim was filed was unintentional. The Director may require additional information where there is a question whether the delay was unintentional.
- (e) In the Reexamination Proceeding:

If the patent owner does not choose to file an application data sheet as set forth in (b) above in the application which matured into the patent to be reexamined, an amendment inserting the reference required by [35 U.S.C. 119\(e\)](#) and [37 CFR 1.78\(a\)\(3\)](#) to the prior-filed application in the first sentence(s) of the specification following the title as set forth in [37 CFR 1.78\(h\)](#), unless previously submitted; and

- (f) In the Reexamination Proceeding:

A letter, as a separate paper, notifying the Office that items (a)-(d), as applicable, was or is concurrently being filed in the file of the application which matured into the patent to be reexamined.

When a decision on the petition for an unintentionally delayed claim under [35 U.S.C. 119\(e\)](#) is rendered in the file of the application which matured into the patent to be reexamined, a copy of the decision will also be placed in the file of the reexamination proceeding. In addition, if the petition is granted, a copy of any application data sheet, where applicable, which was determined by the Office in its decision to meet the requirements of [35 U.S.C. 119\(e\)](#) (and all other applicable requirements), will also be placed in the file of the reexamination proceeding.

Note, if the application which matured into the patent to be reexamined is a nonprovisional utility or plant application filed before September 16, 2012, the patent owner must choose to either (i) file, in the application which matured into the patent to be reexamined, an application data sheet including the reference required by [35 U.S.C. 119\(e\)](#) and [37 CFR 1.78\(a\)\(3\)](#) to the prior-filed application ([37 CFR 1.76\(b\)\(5\)](#)), unless previously submitted; or (ii) file, in the reexamination proceeding, an amendment inserting the reference required by [35 U.S.C. 119\(e\)](#) and [37 CFR 1.78\(a\)\(3\)](#) to the prior-filed application in the first sentence(s) of the specification following the title as set forth in [37 CFR 1.78\(h\)](#), unless previously submitted. See (b) and (e) above.

For further guidance on petitions for an unintentionally delayed benefit claim under [35 U.S.C. 119\(e\)](#), pursuant to [37 CFR 1.78\(c\)](#), see [MPEP § 211.04](#).

C. Restoring the Benefit of a Provisional Application Where the Filing of the Application Which Became the Patent to be Reexamined Was Delayed

The patent owner may also restore the benefit of a provisional application where the filing of the application which matured into the patent to be reexamined (i.e., the subsequent nonprovisional application) was unintentionally delayed, in accordance with [37 CFR 1.78\(b\)](#). The patent owner must file a grantable petition to restore the benefit of a provisional application under [37 CFR 1.78\(b\)](#), and any required attachments, including an application data sheet meeting the requirements set forth in [37 CFR 1.78\(b\)](#), in the file of the application which matured into the patent to be reexamined (i.e., the subsequent application as specified in [37 CFR 1.78\(b\)](#)). A letter must be filed in the reexamination proceeding as a separate paper notifying the Office that the petition and accompanying attachments was or is concurrently being filed in the application (identifying the application number) which matured into the patent to be reexamined. Note that a design application cannot claim the benefit of a provisional application.

When a decision on the petition to restore the benefit of a provisional application is rendered in the file of the application which matured into the patent to be

reexamined, a copy of the decision will also be placed in the file of the reexamination proceeding. In addition, if the petition is granted, a copy of the application data sheet which was determined by the Office in its decision to meet the requirements of [37 CFR 1.78\(b\)](#) (and all other applicable requirements), will also be placed in the file of the reexamination proceeding.

For further guidance on the requirements for a grantable petition to restore the benefit of a provisional application under [37 CFR 1.78\(b\)](#), see [MPEP § 211.01\(a\)](#), subsection II.

2259 *Res Judicata* and Collateral Estoppel in Reexamination Proceedings [R-07.2015]

[MPEP § 2242](#) and [§ 2286](#) relate to the Office policy controlling the determination on a request for reexamination and the subsequent examination phase of the reexamination where there has been a federal court decision on the merits as to the patent for which reexamination is requested.

Claims finally held invalid by a federal court, after all appeals, will be withdrawn from consideration and not reexamined during a reexamination proceeding. A **rejection** on the grounds of *res judicata* will not be appropriate in reexamination. One of the essential elements of claim preclusion (*res judicata*) is the involvement of the same parties, or parties in privity with the original parties. The doctrine of *res judicata* based on a court holding in an infringement proceeding is not applicable in reexamination proceedings, because the Office was not a party to the litigation.

In *In re Trans Texas Holdings Corp.*, 498 F.3d 1290, 83 USPQ2d 1835 (Fed. Cir. 2007), the court held that issue preclusion (collateral estoppel) could not be applied **against the Office** based on a district court holding in an infringement proceeding, because the Office was not a party to the earlier infringement proceeding and did not have “a full and fair opportunity” to litigate the issue; See also *In re Construction Equipment Company*, 665 F.3d 1254, 100 USPQ2d 1922 (Fed. Cir. 2011), in which the majority did not adopt the dissent view that reexamination was barred by claim preclusion (*res judicata*) or issue preclusion (collateral estoppel).

2260 Office Actions [R-07.2015]

As is true in the examination of applications, [37 CFR 1.104](#) (Nature of examination) applies to the examination of reexamination proceedings. It is intended that the examiner's first *ex parte* action on the merits be the primary action to establish the issues which exist between the examiner and the patent owner insofar as the patent is concerned. At the time the first action is issued in reexaminations ordered under [35 U.S.C. 304](#), the patent owner has already been permitted to file a statement and an amendment pursuant to [37 CFR 1.530](#); and the reexamination requester, if the requester is not the patent owner, has been permitted to reply thereto pursuant to [37 CFR 1.535](#). In any case, thus, at this point, the issues should be sufficiently focused to enable the examiner to make a definitive first *ex parte* action on the merits which should clearly establish the issues which exist between the examiner and the patent owner insofar as the patent is concerned. In view of the fact that the examiner's first action will clearly establish the issues, the first action should include a statement cautioning the patent owner that a complete response should be made to the action since the next action is expected to be a final action. The first action should further caution the patent owner that the requirements of [37 CFR 1.116\(b\)](#) will be strictly enforced after final action and that any amendment after a final action must include "a showing of good and sufficient reasons why the amendment is necessary and was not earlier presented" in order to be considered. The language of form paragraph 22.04 is appropriate for inclusion in the first Office action:

¶ 22.04 Papers To Be Submitted in Response to Action - Ex Parte Reexamination

In order to ensure full consideration of any amendments, affidavits or declarations, or other documents as evidence of patentability, such documents must be submitted in response to this Office action. Submissions after the next Office action, which is intended to be a final action, will be governed by the requirements of [37 CFR 1.116](#) after final rejection and [37 CFR 41.33](#) after appeal, which will be strictly enforced.

2260.01 Dependent Claims [R-07.2015]

If an unamended base patent claim (i.e., a claim appearing in the reexamination as it appears in the patent) has been rejected, canceled, or is no longer

subject to reexamination due to adjudication in court, any claim undergoing reexamination which is directly or indirectly dependent thereon should be confirmed or allowed if the dependent claim is otherwise allowable. The dependent claim should *not* be objected to or rejected merely because it depends on a rejected or canceled patent claim or a claim no longer subject to reexamination. No requirement should be made for rewriting the dependent claim in independent form. As the original patent claim numbers are not changed in a reexamination proceeding, the content of the canceled base claim would remain in the printed patent and would be available to be read as a part of the confirmed or allowed dependent claim.

If a new base claim (a base claim other than a base claim appearing in the patent) has been canceled in a reexamination proceeding, a claim which depends thereon should be rejected as indefinite. If a new base claim or an amended patent claim is rejected, a claim dependent thereon should be objected to if it is otherwise patentable and a requirement made for rewriting the dependent claim in independent form.

2261 Special Status for Action [R-07.2015]

35 U.S.C. 305 Conduct of reexamination proceedings.

All reexamination proceedings under this section, including any appeal to the Patent Trial and Appeal Board, will be conducted with special dispatch within the Office.

In view of the requirement for "special dispatch," reexamination proceedings will be "special" throughout their pendency in the Office.

Any cases involved in litigation, whether they are reexamination proceedings or reissue applications, will have priority over all other cases. Reexamination proceedings not involved in litigation will have priority over all other cases except reexaminations or reissues involved in litigation.

2262 Form and Content of Office Action [R-08.2017]

The examiner's first Office action will be a statement of the examiner's position and should be so complete

that the second Office action can properly be made a final action. See [MPEP § 2271](#).

The first Office action must be sufficiently detailed that the pertinency and manner of applying the cited prior art to the claims in each rejection is clearly set forth therein. Where the request for reexamination includes material such as a claim chart to explain a proposed rejection in order to establish the existence of a substantial new question of patentability, the examiner may bodily incorporate the claim chart (or other material) within the Office action. The examiner must, however, carefully review the claim chart (or other material) to ensure that any items incorporated in a statement of the rejection clearly and completely address the patentability of the claims. For actions subsequent to the first Office action, the examiner must be careful to additionally address all patent owner responses to previous actions. If the examiner concludes in any Office action that one or more of the claims are patentable over the cited patents or printed publications, the examiner should indicate why the claim(s) is/are clearly patentable in a manner similar to that used to indicate reasons for allowance ([MPEP § 1302.14](#)). If the record is clear why the claim(s) is/are clearly patentable, the examiner may refer to the particular portions of the record which clearly establish the patentability of the claim(s). The first action should also respond to the substance of each argument raised by the patent owner and requester pursuant to [37 CFR 1.510](#), [1.530](#), and [1.535](#). If arguments are presented which are inappropriate in reexamination, they should be treated in accordance with [37 CFR 1.552\(c\)](#).

If any statement of the patent owner submitted pursuant to [37 CFR 1.501\(a\)\(2\)](#) is relied upon in the detailed explanation, requester must have explained how that statement is being used to determine the proper meaning of a patent claim in connection with prior art applied to that claim. That explanation will be considered by the Office, when drafting the Office action, in determining the scope of the claims of the patent which are subject to reexamination.

It is especially important that the examiner's action in reexamination be thorough and complete in view of the finality of a reexamination proceeding and the

patent owner's inability to file a continuation proceeding.

Normally, the title will not need to be changed during reexamination. If a change of the title is necessary, patent owner should be notified of the need to provide an amendment changing the title as early as possible in the prosecution as a part of an Office Action. If all of the claims are found to be patentable and a Notice of Intent to Issue *Ex Parte* Reexamination Certificate has been or is to be mailed, a change to the title of the invention by the examiner may only be done by a formal Examiner's Amendment. Changing the title and merely initialing the change is NOT permitted in reexamination.

Current procedure permits the examiner, in the exercise of professional judgment, to indicate that a discussion with the patent owner's representative may result in agreement whereby the reexamination proceeding may be placed in condition for issuing a Notice of Intent to Issue a Reexamination Certificate (NIRC) and that the examiner will contact the patent owner's representative within about two weeks. Under this practice the patent owner's representative can be adequately prepared to conduct such a discussion. Any resulting amendment may be made either by the patent owner's attorney or agent, or by the examiner in an examiner's amendment. It should be recognized that when extensive amendments are necessary, it would be preferable if the amendments were filed by the patent owner's attorney or agent of record since this will provide the file wrapper with a better record because the amendments would include the patent owner's arguments for patentability as required by [37 CFR 1.111](#).

I. PROCESS OF PREPARING THE ACTION

Upon receipt of a patent owner response to the action by the CRU, or upon the expiration of the time to submit the response, the examiner will be notified. The examiner will prepare for and set up a panel review conference as per [MPEP § 2271.01](#), to discuss the issuance of the Office action. The examiner may prepare the Office action after the conference, or may prepare the Office action prior to the conference and revise it as needed after the

conference. See [MPEP § 2271.01](#) for more information on policies concerning conferences.

If the conference confirms the examiner's preliminary decision to reject and/or allow the claims, the Office action shall be issued and signed by the examiner, with the two or more other conferees initialing the action (as "conferee") to indicate their presence in the conference.

II. SAMPLE OFFICE ACTION

A sample of a first Office action in a reexamination proceeding is set forth below.

Form PTOL-465. Ex Parte Reexamination Communication Transmittal Form



UNITED STATES PATENT AND TRADEMARK OFFICE

Commissioner for Patents
United States Patent and Trademark Office
P.O. Box 1450
Alexandria, VA 22313-1450
www.uspto.gov

DO NOT USE IN PALM PRINTER

(THIRD PARTY REQUESTER'S CORRESPONDENCE ADDRESS)

Requester
12345 Anystreet Road
Anytown, VA 22222

EX PARTE REEXAMINATION COMMUNICATION TRANSMITTAL FORMREEXAMINATION CONTROL NO. 90/999,999.PATENT NO. 9,999,999.ART UNIT 3998.

Enclosed is a copy of the latest communication from the United States Patent and Trademark Office in the above identified *ex parte* reexamination proceeding (37 CFR 1.550(f)).

Where this copy is supplied after the reply by requester, 37 CFR 1.535, or the time for filing a reply has passed, no submission on behalf of the *ex parte* reexamination requester will be acknowledged or considered (37 CFR 1.550(g)).

PTOL-465 (Rev.07-04)

Office Action in Ex Parte Reexamination	Control No. 90/999,999	Patent Under Reexamination 9,999,999	
	Examiner John Doe	Art Unit 3998	AIA (First Inventor to File) Status No

-- The MAILING DATE of this communication appears on the cover sheet with the correspondence address --

a. Responsive to the communication(s) filed on 10/23/2013.
 A declaration(s)/affidavit(s) under 37 CFR 1.130(b) was/were filed on _____.

b. This action is made FINAL.

c. A statement under 37 CFR 1.530 has not been received from the patent owner.

A shortened statutory period for response to this action is set to expire 2 month(s) from the mailing date of this letter. Failure to respond within the period for response will result in termination of the proceeding and issuance of an *ex parte* reexamination certificate in accordance with this action. 37 CFR 1.550(d). **EXTENSIONS OF TIME ARE GOVERNED BY 37 CFR 1.550(c)**. If the period for response specified above is less than thirty (30) days, a response within the statutory minimum of thirty (30) days will be considered timely.

Part I THE FOLLOWING ATTACHMENT(S) ARE PART OF THIS ACTION:

1. Notice of References Cited by Examiner, PTO-892. 3. Interview Summary, PTO-474.
2. Information Disclosure Statement, PTO/SB/08. 4. _____.

Part II SUMMARY OF ACTION

1a. Claims 4-6 are subject to reexamination.
1b. Claims 1-3 are not subject to reexamination.
2. Claims _____ have been canceled in the present reexamination proceeding.
3. Claims 5 are patentable and/or confirmed.
4. Claims 4 and 6 are rejected.
5. Claims _____ are objected to.
6. The drawings, filed on _____ are acceptable.
7. The proposed drawing correction, filed on _____ has been (7a) approved (7b) disapproved.
8. Acknowledgment is made of the priority claim under 35 U.S.C. § 119(a)-(d) or (f).
a) All b) Some* c) None of the certified copies have
1 been received.
2 not been received.
3 been filed in Application No. _____.
4 been filed in reexamination Control No. _____.
5 been received by the International Bureau in PCT application No. _____.

* See the attached detailed Office action for a list of the certified copies not received.

9. Since the proceeding appears to be in condition for issuance of an *ex parte* reexamination certificate except for formal matters, prosecution as to the merits is closed in accordance with the practice under *Ex parte* Quayle, 1935 C.D. 11, 453 O.G. 213.

10. Other: _____

cc: Requester (if third party requester)

U.S. Patent and Trademark Office
PTOL-466 (Rev. 08-13)

Office Action in Ex Parte Reexamination

Part of Paper No. 5

Claims 1-3 of the Smith patent are not being reexamined in view of the final decision in the *ABC Corp. v. Smith*, 999 USPQ2d 99 (Fed. Cir. 1999). Claims 1-3 were held not valid by the court.

The following is a quotation of 35 U.S.C. 103, in effect on March 15, 2013, which forms the basis for all obviousness rejections set forth in this Office action:

A patent may not be obtained though the invention is not identically disclosed or described as set forth in section 102 of this title, if the differences between the subject matter sought to be patented and the prior art are such that the subject matter as a whole would have been obvious at the time the invention was made to a person having ordinary skill in the art to which said subject matter pertains. Patentability shall not be negatived by the manner in which the invention was made.

Subject matter developed by another person, which qualifies as prior art only under one or more of subsections (f) or (g) of section 102 of this title, shall not preclude patentability under this section where the subject matter and the claimed invention were, at the time the invention was made, owned by the same person, or subject to an obligation of assignment to the same person.

Claims 4 and 6 are rejected under 35 U.S.C. 103 as being unpatentable over Berridge in view of McGee.

Berridge teaches extruding a chlorinated polymer using the same extrusion structure recited in Claims 4 and 6 of the Smith patent. However, Berridge does not show supporting the extrusion barrel at 30 degrees to the horizontal, using spring supports. McGee teaches spring supporting an extrusion barrel at an angle of 25 - 35 degrees, in order to decrease imperfections in extruded chlorinated polymers. It would have been obvious to one of ordinary skill in the polymer extrusion art to support the extrusion barrel of Berridge on springs and at an angle of 30 degrees because McGee teaches this to be known in the polymer extrusion art for decreasing imperfections in extruded chlorinated polymers.

Claim 5 is patentable over the prior art patents and printed publications because of the specific extrusion die used with the Claim 4 spring-supported barrel. This serves to even further reduce imperfections in the extruded chlorinated polymers and is not taught by the art of record, alone or in combination.

It is noted that an issue not within the scope of reexamination proceedings has been raised. In the above-cited final court decision, a question is raised as to the possible public use of the invention of Claim 6. The issue will not be considered in a reexamination proceeding (37 CFR 1.552(c)). While this issue is not within the scope of the reexamination, the patentee is advised that it may be desirable to consider filing a reissue application provided that the patentee believes one or more claims to be partially or wholly inoperative or invalid based upon the issue.

In order to ensure full consideration of any amendments, affidavits, or declarations, or other documents as evidence of patentability, such documents must be submitted in response to this Office action. Submissions after the next Office action, which is intended to be a final action, will be governed by the requirements of 37 CFR 1.116 after final rejection and 37 CFR 41.33 after appeal which will be strictly enforced.

All correspondence relating to this *ex parte* reexamination proceeding should be directed:

By EFS: Registered users may submit via the electronic filing system EFS-Web, at <https://efs.uspto.gov/efile/myportal/efs-registered>.

By Mail to: Mail Stop *Ex Parte* Reexam
Central Reexamination Unit
Commissioner for Patents
United States Patent & Trademark Office
P.O. Box 1450
Alexandria, VA 22313-1450

By FAX to: (571) 273-9900
Central Reexamination Unit

By hand: Customer Service Window
Randolph Building
401 Dulany Street
Alexandria, VA 22314

For EFS-Web transmissions, 37 CFR 1.8(a)(1)(i)(C) and (ii) states that correspondence (except for a request for reexamination and a corrected or replacement request for reexamination) will be considered timely filed if (a) it is transmitted via the Office's electronic filing system in accordance with 37 CFR 1.6(a)(4), and (b) includes a certificate of transmission for each piece of correspondence stating the date of transmission, which is prior to the expiration of the set period of time in the Office action.

Any inquiry concerning this communication should be directed to John Doe at telephone number (571) 272-0000.

/John Doe/
John Doe
Primary Examiner
CRU Art Unit 3998

/ARI/
Conferee

/BZ/
Conferee

action in an *ex parte* reexamination. An extension of time may be requested under [37 CFR 1.550\(c\)](#). See [MPEP § 2265](#).

2264 Mailing of Office Action [R-07.2015]

Ex parte reexamination forms are structured so that the identifying information for the reexamination file and the correspondence address for the patent owner, which is the official correspondence address of record in the file of the patent requested to be reexamined, can be printed on the forms. Usually, the official correspondence address of the patent owner, which is of record in the file of the patent, is the mailing address of the patent owner's legal representative. If there is no official correspondence address of record in the patent file, the Office may treat the mailing address of the patent owner as the correspondence address. Where there are multiple patent owners, the Office may treat the mailing address of the first named patent owner of record as the correspondence address of the patent owner. The Office will not engage in double correspondence with more than one patent owner. See [37 CFR 1.33\(a\)](#). Copies of Office actions may be obtained by access Public PAIR at the Office's website www.uspto.gov.

All actions in a third party requester *ex parte* reexamination will have a copy mailed to the third party requester. A transmittal form PTOL-465 must be used in providing the third party requester with a copy of each Office action. If there are more than one third party requester for a single request, and if a third party requester has not designated the mailing address of a registered patent practitioner as the correspondence address for the requester, the Office may treat the mailing address of the first named third party requester as the correspondence address for the third party requester.

A completed transmittal form PTOL-465 will be provided as needed for any third party requester, and the appropriate address will be entered on it. The number of transmittal forms provides a ready reference for the number of copies of each Office action to be made, and the transmittal form permits use of the window envelopes in mailing the copies of the action to parties other than the patent owner.

2265 Extension of Time [R-07.2015]

37 CFR 1.550 Conduct of ex parte reexamination proceedings.

(c) The time for taking any action by a patent owner in an *ex parte* reexamination proceeding may be extended as provided in this paragraph.

(1) Any request for such an extension must specify the requested period of extension and be accompanied by the petition fee set forth in [§ 1.17\(g\)](#).

(2) Any request for an extension in a third party requested *ex parte* reexamination must be filed on or before the day on which action by the patent owner is due, and the mere filing of such a request for extension will not effect the extension. A request for an extension in a third party requested *ex parte* reexamination will not be granted in the absence of sufficient cause or for more than a reasonable time.

(3) Any request for an extension in a patent owner requested or Director ordered *ex parte* reexamination for up to two months from the time period set in the Office action must be filed no later than two months from the expiration of the time period set in the Office action. A request for an extension in a patent owner requested or Director ordered *ex parte* reexamination for more than two months from the time period set in the Office action must be filed on or before the day on which action by the patent owner is due, and the mere filing of a request for an extension for more than two months from the time period set in the Office action will not effect the extension. The time for taking action in a patent owner requested or Director ordered *ex parte* reexamination will not be extended for more than two months from the time period set in the Office action in the absence of sufficient cause or for more than a reasonable time.

(4) The reply or other action must in any event be filed prior to the expiration of the period of extension, but in no situation may a reply or other action be filed later than the maximum time period set by statute.

(5) See [§ 90.3\(c\)](#) of this title for extensions of time for filing a notice of appeal to the U.S. Court of Appeals for the Federal Circuit or for commencing a civil action.

I. EXTENSIONS UNDER 37 CFR 1.136 ARE NOT PERMITTED IN *EX PARTE* REEXAMINATION PROCEEDINGS

The provisions of [37 CFR 1.136\(a\)](#) and [\(b\)](#) are *NOT* applicable to *ex parte* reexamination proceedings under any circumstances. Public Law 97-247 amended [35 U.S.C. 41](#) to authorize the Director to provide for extensions of time to take action in an “application.” An *ex parte* reexamination proceeding does not involve an “application.” [37 CFR 1.136](#) authorizes extensions of the time period only in an

application in which an applicant must respond or take action. There is neither an “application,” nor an “applicant” involved in a reexamination proceeding.

An extension of time in an *ex parte* reexamination proceeding is requested pursuant to [37 CFR 1.550\(c\)](#) which provides that any request for such an extension must specify the requested period of extension and be accompanied by the fee set forth in [37 CFR 1.17\(g\)](#).

Form paragraph 22.04.01 may be used to notify the parties in a reexamination proceeding the extension of time practice in reexamination.

¶ 22.04.01 Extension of Time in Reexamination

Extensions of time under [37 CFR 1.136\(a\)](#) will not be permitted in these proceedings because the provisions of [37 CFR 1.136](#) apply only to “an applicant” and not to parties in a reexamination proceeding. Additionally, [35 U.S.C. 305](#) requires that reexamination proceedings “will be conducted with special dispatch” ([37 CFR 1.550\(a\)](#)). Extensions of time in *ex parte* reexamination proceedings are provided for in [37 CFR 1.550\(c\)](#).

II. FEE FOR AN EXTENSION OF TIME IN *EX PARTE* REEXAMINATION PROCEEDINGS

The fee set forth in [37 CFR 1.17\(g\)](#) is the required fee for filing a request for an extension of time in a reexamination proceeding. Unlike extension of time practice under [37 CFR 1.136](#), the period of extension is not determined by the amount of the fee paid. The fee is for filing the request. Under [37 CFR 1.550\(c\)](#), each request for an extension must specify the requested period of extension and must be accompanied by the fee set forth in [37 CFR 1.17\(g\)](#).

III. GENERAL GUIDANCE ON EXTENSIONS OF TIME IN *EX PARTE* REEXAMINATION PROCEEDINGS

All requests by the patent owner for extensions of time to respond to any Office action in an *ex parte* reexamination proceeding, including the submission of a patent owner statement under [37 CFR 1.530](#), must be filed under [37 CFR 1.550\(c\)](#), in writing, and will be decided by the Director or SPRS of the Central Reexamination Unit (CRU) or the Director of a Technology Center (TC) conducting the reexamination proceeding, with the exception of an

automatic two-month extension of time to take further action which will be granted upon filing a first timely response to a final Office action (see subsection VII below; see also [MPEP § 2272](#)). Requests for an extension of time must be filed on or before the day on which action by the patent owner is due, and will be granted only for sufficient cause (see subsection VI below), except for requests for a “no cause” extension in patent owner requested or Director ordered reexaminations as provided in [37 CFR 1.550\(c\)](#) (see subsection V.A. below). Patent owner requested reexaminations include reexaminations ordered under [35 U.S.C. 257](#). In no case, other than the “after final” practice and the “no cause” extension in patent owner requested or Director ordered reexaminations, will a mere filing of a request for extension of time automatically effect any extension.

The time extended is added to the last calendar day of the original period, as opposed to being added to the day it would have been due when said last day is a Saturday, Sunday, or federal holiday.

A request for an extension of time under [37 CFR 1.550\(c\)](#) must be submitted as a separate paper which will be forwarded to the CRU SPRS or TC Director for action. The certificate of mailing and the certificate of transmission procedures ([37 CFR 1.8](#)) and the Priority Mail Express® mailing procedure ([37 CFR 1.10](#)) may be used to file a request for extension of time.

A request for an extension of time in an *ex parte* reexamination proceeding will be considered only after the decision to grant or deny reexamination is mailed. Any request filed before that decision will be denied. A request for an extension of the time period to file a petition from the denial of a request for reexamination can only be entertained by filing a petition under [37 CFR 1.183](#) with the appropriate fee to waive the time provisions of [37 CFR 1.515\(c\)](#).

Ex parte prosecution will generally be conducted by initially setting a two-month shortened period for response. See [MPEP § 2263](#). In any *ex parte* reexamination ordered under [35 U.S.C. 304](#) (i.e., patent owner requested, Director ordered, or third party requested), the patent owner also will be given a two-month statutory period after the order for

reexamination to file a statement. See [37 CFR 1.530\(b\)](#). However, in *ex parte* reexaminations ordered under [35 U.S.C. 257](#), the statute does not permit the patent owner to file such a statement. See [MPEP §§ 2818.01](#) and [2823](#).

The time period for filing a third party requester reply under [37 CFR 1.535](#) to the patent owner's statement (i.e., two (2) months from the date of service of the statement on the third party requester) cannot be extended under any circumstances. No extensions will be permitted to the time for filing a reply under [37 CFR 1.535](#) by the requester because the two-month period for filing the reply is a statutory period. See [35 U.S.C. 304](#). A statutory period for response cannot be waived. See [MPEP § 2251](#).

IV. THIRD PARTY REQUESTED *EX PARTE* REEXAMINATIONS

The extension of time practice under [37 CFR 1.550\(c\)](#) for patent owner responses in an *ex parte* reexamination proceeding which has been requested by a third party, i.e., a third party requested *ex parte* reexamination, remains unchanged under the rules and practices adopted in view of the Patent Law Treaty (PLT). A third party requested *ex parte* reexamination is initiated by a party other than the patent owner or the Office. Thus, it is an "inter partes proceeding" under PLT Rule 12(5)(a)(vi). For this reason, the minimum reply period provisions of the PLT do not apply to third party requested *ex parte* reexaminations.

The patent owner must file a written request specifying the requested period for extension (e.g., one month), and must file the request, the required fee, and the response within the specified period for extension. A request for an extension, which must be accompanied by the required fee, may be filed with or without the response.

A. *Requirements for a Showing of Sufficient Cause and for a Reasonable Time*

Any request for an extension of time for a response by the patent owner in a third party requested *ex parte* reexamination must include a showing of

sufficient cause, and the requested extension must be for a reasonable time. See subsection VI below.

"No cause" extensions of time for up to two months for filing a response (see subsection V.A. below), or for filing an appeal brief (see also subsection IV.C. below) are not available, because the extension of time provisions of the PLT do not apply to third party requested reexaminations. The mere filing of a written request for an extension of time and the required fee in a third party requested reexamination will not result in an extension of time; i.e., will not effect the extension.

B. *Time for Filing*

[37 CFR 1.550\(c\)](#) continues to provide that any request for an extension in a third party requested *ex parte* reexamination must be filed on or before the day on which action by the patent owner is due. Because the extension of time practice for patent owner responses in third party requested reexaminations remains unchanged, "the day on which action by the patent owner is due" continues to be no later than the day before the date of expiration of the time period for response set in the Office action. For example, if the Office action sets a one-month period for response, any request for an extension of time must be filed no later than one month from the mail date of the Office action.

C. *Extension of Time for Filing a Notice of Appeal, an Appeal Brief, or a Reply Brief*

Extensions of time for filing a notice of appeal to the Patent Trial and Appeal Board (PTAB), an appeal brief, or a reply brief, are governed by [37 CFR 1.550\(c\)](#).

A notice of appeal is governed by [37 CFR 1.550\(c\)](#) in the same manner as a response.

For the purposes of requesting an extension of time for filing an appeal brief or a reply brief, the "the day on which action by the patent owner is due" set forth in [37 CFR 1.550\(c\)](#) is the last day of the time period permitted to file the brief. For example, [37 CFR 41.35\(a\)](#) requires that an appeal brief must be filed within two months from the date of the appeal. See [MPEP § 1205](#). [37 CFR 41.41\(a\)](#) governs the

time for filing a reply brief. See [MPEP § 1208](#). See also [MPEP § 2274](#), subsection III.

The request for an extension of time to file a notice of appeal, an appeal brief, or a reply brief must include a showing of sufficient cause, and the extension must be for a reasonable time. See subsection VI below. The request must be filed as a separate paper.

See [MPEP § 1216](#) for specific guidance on the time for filing the notice and reasons of appeal to the U.S. Court of Appeals for the Federal Circuit or for commencing a civil action. See also [MPEP § 2279](#).

V. PATENT OWNER REQUESTED AND DIRECTOR ORDERED *EX PARTE* REEXAMINATIONS

The extension of time practice in *ex parte* reexaminations which have been requested by the patent owner (patent owner requested reexaminations), and in *ex parte* reexaminations initiated by the Director pursuant to [35 U.S.C. 302](#) (see [MPEP § 2239](#)) (Director ordered reexaminations), has been revised as a result of the implementation of the Patent Law Treaty (PLT). See *Changes to Implement the Patent Law Treaty*, 78 FR 62368 (October 21, 2013)(final rule).

Because a supplemental examination of a patent can only be requested by a patent owner (see [37 CFR 1.601](#)), any *ex parte* reexamination ordered under [35 U.S.C. 257](#) as a result of a supplemental examination is considered to be a “patent owner requested” *ex parte* reexamination for the purposes of [37 CFR 1.550\(c\)](#).

For specific guidance on extension of time practice in *ex parte* reexaminations which have been requested by a third party (third party requested reexaminations), see subsection IV above.

A. “No Cause” Extensions of Time for Up to Two Months from Response Period Set in Office Action

Effective December 18, 2013, [37 CFR 1.550\(c\)](#) was amended to omit the requirement, in patent owner requested or Director ordered *ex parte* reexamination proceedings, for a showing of

sufficient cause in a request for an extension of time for up to two months from the time period set in the Office action, i.e., a “no cause” extension.

As in extension of time practice under [37 CFR 1.136](#) for applications, a patent owner is not required to provide a reason why the extension is requested (i.e., the “cause” of the need for the extension) in a request for an extension of time for up to two months from the time period for response set in the Office action. However, unlike extension of time practice under [37 CFR 1.136](#) for applications, the mere filing of the fee for the extension of time is insufficient. **The patent owner must timely file, in addition to the response to the Office action: (i) a written request for an extension of time which specifies the requested period of extension, i.e., for up to two months from the response period set in the Office action; and (ii) the fee set forth in [37 CFR 1.17\(g\)](#).** The written request must be filed as a separate paper. The written request for the extension and the fee may be filed with or without the response. However, the request for the extension, the required fee, and the response must all be timely filed.

The patent owner must, in its written request, specify the requested period for extension (e.g., one month or two months), and must file the request and the required fee within the specified period for extension. See subsection V.C below. The Office may then grant an extension for the time specified, up to a period of two months.

B. Extensions of Time for More than Two Months from Response Period Set in Office Action

A request for an extension for more than two months from the time period for response set in the Office action must include a showing of sufficient cause, and the extension must be for a reasonable time. The timely filing of a written request for an extension for more than two months from the time period for set in the Office action and the required fee, alone, will not result in an extension of time; i.e., will not effect the extension. See subsection VI below.

C. Time for Filing

1. “No Cause” Extension of Time

[37 CFR 1.550\(c\)](#) provides that any request in a patent owner requested or Director ordered *ex parte* reexamination for an extension of time for up to two months from the time period set in the Office action, i.e., a “no cause” extension, must be filed no later than two months from the expiration of the time period set in the Office action. The patent owner must specify the requested period of extension, not to exceed two months from the time period set in the Office action. The patent owner must file the request and the required fee within the specified period for extension.

If, for example, the Office action sets a two-month period for response, and if the patent owner requests a two-month extension, the patent owner is permitted to file the request for such an extension up to the last day of the fourth month from the mail date of the Office action. However, if the Office action sets a two-month period for response, and if the patent owner requests only a one-month extension, the patent owner must file the request for the extension by the last day of the third month from the mail date of the Office action.

2. Extensions of Time for More than Two Months

[37 CFR 1.550\(c\)](#) provides that any request in a patent owner requested or Director ordered *ex parte* reexamination for an extension of time for more than two months from the time period set in the Office action must be filed on or before the day on which action by the patent owner is due.

Patent owners are cautioned that a request for an extension for more than two months from the time period set in the Office Action will only be granted in extraordinary circumstances. See subsection VI below.

If the patent owner wishes to request an extension for more than two months, and if the patent owner has timely filed one or more requests for an extension of time, the total of which does not exceed two months from the time period set in the Office action, i.e., “no cause” extensions, then “the day on

which action by the patent owner is due” is the expiration of the total of the period(s) of extension specified in the request(s) for the “no cause” extension, not to exceed two months. Thus, if the patent owner wishes to request an extension for more than two months, the patent owner must file, no later than two months from the expiration of the time period set in the Office action: 1) one or more written requests specifying a period of extension, the total of which does not exceed two months from the time period set in the Office action, i.e., “no cause” extensions, and the required fee for each request; and 2) an additional written request specifying a period of extension, which is more than two months from the time period set in the Office action, and an additional required fee. The request for an extension for more than two months must also include a showing of sufficient cause, and must be for a reasonable time. See subsection VI below. A request for an extension for more than two months may be filed in the same paper as a request for a “no cause” extension for up to two months, or each request may be filed separately. Any request for an extension of time, however, must be filed separately from any other paper, such as a response or an appeal brief.

For example, if the Office action sets a two-month time period for response, any request for an extension of time for two months must be filed no later than four months from the mail date of the Office action, and any request for an extension of time for more than two months must also be filed no later than four months from the mail date of the Office action. However, if the Office action only sets a one-month time period for response (for example, in situations where a lack of response does not result in a loss of rights), any request for an extension of time for two months must be filed no later than three months from the mail date of the Office action, and any request for an extension of time for more than two months must also be filed no later than three months from the mail date of the Office action.

3. Specific Examples

Example 1

The patent owner, in a patent owner requested reexamination, wishes to file a written request specifying a two-month

extension, i.e., a “no cause” extension. The Office action sets a two-month period for response.

The patent owner must file the written request accompanied by the required fee, and the required response, within four months of the mail date of the Office action.

Example 2

The patent owner, in a patent owner requested reexamination, wishes to file a written request specifying only a one-month extension, i.e., a “no cause” extension. The Office action sets a two-month period for response.

The patent owner must file the written request accompanied by the required fee, and the required response, within three months of the mail date of the Office action.

Example 3

The patent owner, in a patent owner requested reexamination, wishes to file a written request specifying only a one-month extension, i.e., a “no cause” extension. The Office action sets a two-month period for response. The patent owner timely files, within three months from the mail date of the Office action, the request for the one-month extension and the required fee, but fails to file the response.

The patent owner may, in order to timely file the response, file another request for a one-month “no-cause” extension, another required fee, and the response within four months from the mail date of the Office action.

Example 4

The patent owner, in a patent owner requested reexamination, wishes to file a written request specifying only a one-month extension, i.e., a “no cause” extension. The Office action sets a two-month period for response. The patent owner files a request for only a one-month extension and the required fee (with or without the response) after three months from the mail date of the Office action.

The request will be dismissed as untimely even if it is filed within four months from the mail date of the Office action. In such a case, a subsequent written request for an extension of two months from the original time period set in the Office action, accompanied by the required fee, may be granted if it is filed within four months from the mail date of the Office action.

Example 5

The patent owner, in a patent owner requested reexamination, wishes to file a request for an extension for three months, i.e., more than two months from the time period set in the Office action. (Such a request will only be granted in extraordinary circumstances. See subsection VI below.) The Office action sets a two-month time period for response.

The patent owner may file, up to the last day of the **fourth** month from the mail date of the Office action: 1) a first request for a two-month “no cause” extension and the required fee; and 2) a second request specifying an additional one-month extension, which is more than two months from the time period set in the Office action, a showing of sufficient cause, and a second required fee. If the second request is granted (which would only occur in extraordinary circumstances – see subsection VI. below), the required reply must be filed on or before the last day of the **fifth** month. If the second request is **not** granted, a reply filed after the last day of the **fourth** month would be untimely and would not be entered.

Alternatively, the patent owner may file, up to the last day of the **third** month from the mail date of the Office action: 1) a request for a one-month “no cause” extension and the required fee; and 2) a second request specifying an additional two-month extension, which is more than two months from the time period set in the Office action, a showing of sufficient cause, and a second required fee. If the second request is granted (which would only occur in extraordinary circumstances – see subsection VI below), the required reply must be filed on or before the last day of the **fifth** month. If the second request is **not** granted, a reply filed after the last day of the **third** month would be untimely and would not be entered.

D. Extension of Time for Filing a Notice of Appeal, an Appeal Brief, or a Reply Brief

Extensions of time for filing a notice of appeal to the Board, an appeal brief, or a reply brief, are governed by [37 CFR 1.550\(c\)](#). The request must be filed as a separate paper.

A notice of appeal is governed by [37 CFR 1.550\(c\)](#) in the same manner as a response.

For the purposes of requesting an extension of time for filing an appeal brief or a reply brief, the “time set in the Office action” set forth in [37 CFR 1.550\(c\)](#) is the time permitted to file the brief. The “day on which action by the patent owner is due” set forth in [37 CFR 1.550\(c\)](#) is the last day of the time period permitted to file the brief. For example, [37 CFR 41.37\(a\)](#) requires that an appeal brief must be filed within two months from the date of the appeal. See [MPEP § 1205](#). [37 CFR 41.41\(a\)](#) governs the time for filing a reply brief. See [MPEP § 1208](#). See also [MPEP § 2274](#), subsection III.

In patent owner requested or Director ordered reexamination proceedings, the patent owner may request an extension of time for filing an appeal brief or a reply brief for up to two months from the time

permitted to file the brief, without providing a showing of sufficient cause, i.e., a “no cause” extension. See subsection V.A above. For example, since the time permitted to file an appeal brief is two months from the date of the appeal, any request for an extension of time for two months must be filed no later than four months from the date of the appeal. See subsection V.C. above.

The patent owner must, in its written request, specify the requested period for extension (e.g., one month or two months), and must file the request and the required fee within the specified period for extension. For example, if the patent owner only specifies a one-month extension in its request, the patent owner must file, in addition to an appeal brief, the written request for the extension and the required fee within three months from the date of the appeal. The request for the extension and the fee may be filed with or without the brief. For further examples, see subsection V.C. above.

However, the timely filing of a written request for an extension for more than two months from the time permitted to file the brief and the required fee, alone, will not result in an extension of time; i.e., will not effect the extension. The request for such an extension must include a showing of sufficient cause. In addition, the extension must be for a reasonable time. Such requests will only be granted in extraordinary circumstances. See subsection VI below.

See [MPEP § 1216](#) *et seq.* for specific guidance on the time for filing the notice and reasons of appeal to the U.S. Court of Appeals for the Federal Circuit or for commencing a civil action. See also [MPEP § 2279](#).

VI. REQUIREMENTS FOR A SHOWING OF SUFFICIENT CAUSE AND AN EXTENSION FOR A REASONABLE TIME

Requests for any extension of time in third party requested reexaminations, and requests for an extension of more than two months from the time period set in the Office action in patent owner requested or Director ordered reexaminations, must include a showing of sufficient cause, and the extension must be for a reasonable time.

Any evaluation of whether sufficient cause has been shown for an extension must balance the need to provide the patent owner with a fair opportunity to present an argument against any attack on the patent, and the requirement of the statute ([35 U.S.C. 305](#)) that the proceeding be conducted with special dispatch.

Any request for an extension of time, except for the “no cause” extension in patent owner requested or Director ordered reexamination provided in [37 CFR 1.550\(c\)](#), must fully state the reasons therefor. The reasons must include a statement of what action the patent owner has taken to provide a response as of the date the request for extension is submitted, and why, in spite of the action taken thus far, the requested additional time is needed. The statement must include a factual accounting of reasonably diligent behavior by all those responsible for preparing a response to the outstanding Office action within the statutory time period.

In patent owner requested and Director ordered reexaminations, the patent owner already has the opportunity to obtain an extension of time for up to two months from the time period set in the Office action, without a showing of sufficient cause, i.e., a “no cause” extension. For this reason, requests for an extension of more than two months in patent owner requested or Director ordered reexaminations are expected to be rare and will only be granted in extraordinary situations.

However, in third party requested *ex parte* reexaminations, a first request for an extension of time will generally be granted if a sufficient cause is shown, and for a reasonable time specified — usually one month. The reasons stated in the request will be evaluated by the CRU SPRS or TC Director, and the requests will be favorably considered where there is a factual accounting of reasonably diligent behavior by all those responsible for preparing a response within the statutory time period. Second or subsequent requests for an extension of time and requests for an extension of more than one month in third party requested reexaminations will only be granted in extraordinary situations.

A request for an extension of the time period to file a petition from the denial of a request for

reexamination can only be entertained by filing a petition under [37 CFR 1.183](#) with the appropriate fee to waive the time provisions of [37 CFR 1.515\(c\)](#). Since the examination process (for reexaminations ordered under [35 U.S.C. 304](#) or under [35 U.S.C. 257](#)) is intended to be essentially *ex parte*, the third party requesting reexamination can anticipate that requests for an extension of time to file a petition under [37 CFR 1.515\(c\)](#) will be granted only in extraordinary situations.

¶ 22.04.01 Extension of Time in Reexamination

Extensions of time under [37 CFR 1.136\(a\)](#) will not be permitted in these proceedings because the provisions of [37 CFR 1.136](#) apply only to “an applicant” and not to parties in a reexamination proceeding. Additionally, [35 U.S.C. 305](#) requires that reexamination proceedings “will be conducted with special dispatch” ([37 CFR 1.550\(a\)](#)). Extensions of time in *ex parte* reexamination proceedings are provided for in [37 CFR 1.550\(c\)](#).

VII. FINAL ACTION — TIME FOR RESPONSE

In any *ex parte* reexamination proceeding, including third party requested reexaminations and patent owner requested or Director ordered reexaminations, the filing of a timely first response to a final rejection having a shortened statutory period for response is construed as including a request to extend the shortened statutory period for an additional two months, but in no case may the period for response exceed six months from the date of the final action. Even if previous extensions have been granted, the primary examiner is authorized to grant the request for extension of time which is implicit in the filing of a timely first response to a final rejection. The filing of any timely first response to a final rejection will be construed as including a request to extend the shortened statutory period for an additional two months, even if the response is informal and/or not signed. An object of this practice is to obviate the necessity for appeal merely to gain time to consider the examiner’s position in reply to a response timely filed after final rejection. Accordingly, the shortened statutory period for response to a final rejection to which a proposed first response has been received will be extended two months. Note that the Office policy of construing a response after final as inherently including a request for a two-month extension of time applies only to the first response to the final rejection. This automatic two-month extension of time does not apply once the notice of

appeal has been filed. In that instance, the patent owner will be notified that an appeal brief is due two months from the date of the notice of appeal to avoid dismissal of the appeal, and extensions of time are governed by [37 CFR 1.550\(c\)](#).

The patent owner is entitled to know the examiner’s ruling on a timely response filed after final rejection before being required to file a notice of appeal. Notification of the examiner’s ruling should reach the patent owner with sufficient time for the patent owner to consider the ruling and act on it.

The present after final practice of providing an automatic two-month extension for filing a response to a final Office action is in conformance with the minimum reply period provisions of the Patent Law Treaty (PLT). For this reason, additional “no cause” extensions of time for filing a response to a final Office action in patent owner requested or Director ordered reexaminations are not available. Any extensions of time for more than two months from the time for response set in the final rejection must provide a showing of sufficient cause in accordance with [37 CFR 1.550\(c\)\(3\)](#). See subsection VI above.

In those situations where the advisory action cannot be mailed in sufficient time for the patent owner to consider the examiner’s position with respect to the amendment after final rejection (or other patent owner paper) and act on it before termination of the prosecution of the proceeding, the granting of additional time to complete the response to the final rejection or to take other appropriate action would be appropriate. See *Theodore Groz & Sohne & Ernst Bechert Nadelfabrik KG v. Quigg*, 10 USPQ2d 1787 (D.D.C. 1988). The additional time should be granted by the examiner, and the time granted should be set forth in the advisory Office action. The advisory action form, *Ex Parte* Reexamination Advisory Action Before the Filing of an Appeal Brief (PTOL-467), states that “THE PERIOD FOR RESPONSE IS EXTENDED TO RUN ___ MONTHS FROM THE MAILING DATE OF THE FINAL REJECTION.” The blank before “MONTHS” should be filled in with an integer (2, 3, 4, 5, or 6); fractional months should not be indicated. In no case can the period for response to the final rejection be extended to exceed six months from the mailing date of the final rejection. An

appropriate response (e.g., a second or subsequent amendment or a notice of appeal) must be filed within the extended period for response. If the patent owner elects to file a second or subsequent amendment, it must place the reexamination in condition for allowance. If the amendment does not place the reexamination in condition for allowance, the prosecution of the reexamination proceeding will stand terminated under [37 CFR 1.550\(d\)](#) unless an appropriate notice of appeal was filed before the expiration of the response period.

VIII. EXTENSIONS OF TIME TO SUBMIT AFFIDAVITS OR DECLARATIONS AFTER FINAL REJECTION

Frequently, patent owners request an extension of time, stating as a reason therefor that more time is needed in which to submit an affidavit or declaration. When such a request is filed after final rejection, the granting of the request for extension of time is without prejudice to the right of the examiner to question why the affidavit or declaration is now necessary and why it was not earlier presented. See [37 CFR 1.116\(e\)](#). If the patent owner's showing is insufficient, the examiner may deny entry of the affidavit, notwithstanding the previous grant of an extension of time to submit it. The grant of an extension of time in these circumstances serves merely to keep the prosecution of the proceeding from becoming terminated while allowing the patent owner the opportunity to present the affidavit or to take other appropriate action. Moreover, prosecution of the reexamination to save it from termination must include such timely, complete and proper action as required by [37 CFR 1.113](#). The admission of the affidavit or declaration for purposes other than allowance of the claims, or the refusal to admit the affidavit or declaration, and any proceedings relative thereto, shall not operate to save the prosecution of the proceeding from termination.

Implicit in the above practice is the fact that affidavits or declarations submitted after final rejection are subject to the same treatment as amendments submitted after final rejection. See *In re Affidavit Filed After Final Rejection*, 152 USPQ 292, 1966 C.D. 53 (Comm'r Pat. 1966).

2266 Responses [R-07.2015]

37 CFR 1.111 Reply by applicant or patent owner to a non-final Office action.

(a)(1) If the Office action after the first examination ([§ 1.104](#)) is adverse in any respect, the applicant or patent owner, if he or she persists in his or her application for a patent or reexamination proceeding, must reply and request reconsideration or further examination, with or without amendment. See [§§ 1.135](#) and [1.136](#) for time for reply to avoid abandonment.

(a)(2) *Supplemental replies.*

(i) A reply that is supplemental to a reply that is in compliance with [§ 1.111\(b\)](#) will not be entered as a matter of right except as provided in paragraph (a)(2)(ii) of this section. The Office may enter a supplemental reply if the supplemental reply is clearly limited to:

- (A) Cancellation of a claim(s);
- (B) Adoption of the examiner suggestion(s);
- (C) Placement of the application in condition for allowance;
- (D) Reply to an Office requirement made after the first reply was filed;
- (E) Correction of informalities (e.g., typographical errors); or
- (F) Simplification of issues for appeal.

(ii) A supplemental reply will be entered if the supplemental reply is filed within the period during which action by the Office is suspended under [§ 1.103\(a\)](#) or [\(c\)](#).

(b) In order to be entitled to reconsideration or further examination, the applicant or patent owner must reply to the Office action. The reply by the applicant or patent owner must be reduced to a writing which distinctly and specifically points out the supposed errors in the examiner's action and must reply to every ground of objection and rejection in the prior Office action. The reply must present arguments pointing out the specific distinctions believed to render the claims, including any newly presented claims, patentable over any applied references. If the reply is with respect to an application, a request may be made that objections or requirements as to form not necessary to further consideration of the claims be held in abeyance until allowable subject matter is indicated. The applicant's or patent owner's reply must appear throughout to be a *bona fide* attempt to advance the application or the reexamination proceeding to final action. A general allegation that the claims define a patentable invention without specifically pointing out how the language of the claims patentably distinguishes them from the references does not comply with the requirements of this section.

(c) In amending in reply to a rejection of claims in an application or patent under reexamination, the applicant or patent owner must clearly point out the patentable novelty which he or she thinks the claims present in view of the state of the art disclosed by the references cited or the objections made. The applicant or patent owner must also show how the amendments avoid such references or objections.

37 CFR 1.550 Conduct of *ex parte* reexamination proceedings.

(a) All *ex parte* reexamination proceedings, including any appeals to the Board of Patent Appeals and Interferences, will be conducted with special dispatch within the Office. After issuance of the *ex parte* reexamination order and expiration of the time for submitting any responses, the examination will be conducted in accordance with §§ 1.104 through 1.116 and will result in the issuance of an *ex parte* reexamination certificate under § 1.570.

(b) The patent owner in an *ex parte* reexamination proceeding will be given at least thirty days to respond to any Office action. In response to any rejection, such response may include further statements and/or proposed amendments or new claims to place the patent in a condition where all claims, if amended as proposed, would be patentable.

(c) The time for taking any action by a patent owner in an *ex parte* reexamination proceeding may be extended as provided in this paragraph.

(1) Any request for such an extension must specify the requested period of extension and be accompanied by the petition fee set forth in § 1.17(g).

(2) Any request for an extension in a third party requested *ex parte* reexamination must be filed on or before the day on which action by the patent owner is due, and the mere filing of such a request for extension will not effect the extension. A request for an extension in a third party requested *ex parte* reexamination will not be granted in the absence of sufficient cause or for more than a reasonable time.

(3) Any request for an extension in a patent owner requested or Director ordered *ex parte* reexamination for up to two months from the time period set in the Office action must be filed no later than two months from the expiration of the time period set in the Office action. A request for an extension in a patent owner requested or Director ordered *ex parte* reexamination for more than two months from the time period set in the Office action must be filed on or before the day on which action by the patent owner is due, and the mere filing of a request for an extension for more than two months from the time period set in the Office action will not effect the extension. The time for taking action in a patent owner requested or Director ordered *ex parte* reexamination will not be extended for more than two months from the time period set in the Office action in the absence of sufficient cause or for more than a reasonable time.

(4) The reply or other action must in any event be filed prior to the expiration of the period of extension, but in no situation may a reply or other action be filed later than the maximum time period set by statute.

(5) See § 90.3(c) of this title for extensions of time for filing a notice of appeal to the U.S. Court of Appeals for the Federal Circuit or for commencing a civil action.

(d) If the patent owner fails to file a timely and appropriate response to any Office action or any written statement of an interview required under § 1.560(b), the prosecution in the *ex parte* reexamination proceeding will be a terminated prosecution, and the Director will proceed to issue and publish

a certificate concluding the reexamination proceeding under § 1.570 in accordance with the last action of the Office.

(e) If a response by the patent owner is not timely filed in the Office, a petition may be filed pursuant to § 1.137 to revive a reexamination prosecution terminated under paragraph (d) of this section if the delay in response was unintentional.

(f) The reexamination requester will be sent copies of Office actions issued during the *ex parte* reexamination proceeding. After filing of a request for *ex parte* reexamination by a third party requester, any document filed by either the patent owner or the third party requester must be served on the other party in the reexamination proceeding in the manner provided by § 1.248. The document must reflect service or the document may be refused consideration by the Office.

(g) The active participation of the *ex parte* reexamination requester ends with the reply pursuant to § 1.535, and no further submissions on behalf of the reexamination requester will be acknowledged or considered. Further, no submissions on behalf of any third parties will be acknowledged or considered unless such submissions are:

(1) in accordance with § 1.510 or § 1.535; or

(2) entered in the patent file prior to the date of the order for *ex parte* reexamination pursuant to § 1.525.

(h) Submissions by third parties, filed after the date of the order for *ex parte* reexamination pursuant to § 1.525, must meet the requirements of and will be treated in accordance with § 1.501(a).

(i) A petition in an *ex parte* reexamination proceeding must be accompanied by the fee set forth in § 1.20(c)(6) except for petitions under paragraph (c) of this section to extend the period for response by a patent owner, petitions under paragraph (e) of this section to accept a delayed response by a patent owner, petitions under § 1.78 to accept an unintentionally delayed benefit claim, and petitions under § 1.530(d) for correction of inventorship in a reexamination proceeding.

Pursuant to 37 CFR 1.550(a):

“After issuance of the *ex parte* reexamination order and expiration of the time for submitting any responses, the examination will be conducted in accordance with §§ 1.104 through 1.116...”

Accordingly, the provisions of 37 CFR 1.111, other than the provision in 37 CFR 1.111(a)(1) to “see . . . [37 CFR] 1.136 for time for reply to avoid abandonment”, apply to the response by a patent owner in a reexamination proceeding.

The certificate of mailing and certificate of transmission procedures (37 CFR 1.8), and the Priority Mail Express® mailing procedure (37 CFR

[1.10](#)), may be used to file any response in a pending *ex parte* reexamination proceeding.

The patent owner is required to serve a copy of any response made in the reexamination proceeding on the third party requester. [37 CFR 1.550\(f\)](#). See [MPEP § 2266.03](#) for service of patent owner responses to an Office action.

The patent owner will normally be given a period of 2 months to respond to the Office action. An extension of time can be obtained only in accordance with [37 CFR 1.550\(c\)](#). Note that [37 CFR 1.136](#) does not apply in reexamination proceedings.

If the patent owner fails to file a timely and appropriate response to any Office action, the prosecution of the reexamination proceeding will be terminated, unless the response is “not fully responsive” as defined in [MPEP § 2266.01](#) or is an “informal submission” as defined in [MPEP § 2266.02](#). After the prosecution of the proceeding is terminated, the Director will proceed to issue and publish a reexamination certificate.

Pursuant to [37 CFR 1.111\(a\)\(2\)](#), a response that is supplemental to a response that is in compliance with [37 CFR 1.111\(b\)](#) will not be entered as a matter of right. The Office may enter a supplemental response if the supplemental response is clearly limited to: (A) cancellation of a claim(s); (B) adoption of the examiner suggestion(s); (C) placement of the proceeding in condition for Notice of Intent to Issue Reexamination Certificate (NIRC); (D) a response to an Office requirement made after the first response was filed; (E) correction of informalities (e.g., typographical errors); or (F) simplification of issues for appeal. When a supplemental response is filed in sufficient time to be entered into the reexamination proceeding before the examiner considers the prior response, the examiner may approve the entry of a supplemental response if, after a cursory review, the examiner determines that the supplemental response is limited to meeting one or more of the conditions set forth in [37 CFR 1.111\(a\)\(2\)\(i\)](#).

A supplemental response, which has not been approved for entry, will not be entered when a response to a subsequent Office action is filed, even

if there is a specific request for its entry in the subsequent response. If a patent owner wishes to have the unentered supplemental response considered by the examiner, the patent owner must include the contents of the unentered supplemental response in a proper response to a subsequent Office action.

The patent owner in an *ex parte* reexamination proceeding must not file papers on behalf of a third party. [37 CFR 1.550\(g\)](#). If a third party paper accompanies, or is submitted as part of a timely filed response, the response and the third party paper are considered to be an improper submission under [37 CFR 1.550\(g\)](#), and the entire submission shall be returned to the patent owner, since the Office will not determine which portion of the submission is the third party paper. The third party paper will not be considered. The decision returning the improper response and the third party paper should provide an appropriate extension of time under [37 CFR 1.550\(c\)](#) to refile the patent owner response without the third party paper. See [MPEP § 2254](#) and [§ 2267](#).

Patent owner cannot submit an application data sheet (ADS) in a reexamination proceeding except as provided in [MPEP § 2258.02](#).

2266.01 Submission Not Fully Responsive to Non-Final Office Action [R-08.2017]

A response by the patent owner will be considered not fully responsive to a non-final Office action where:

- (A) a *bona fide* response to an examiner’s non-final action is filed;
- (B) before the expiration of the permissible response period, including any extensions of the response period pursuant to [37 CFR 1.550\(c\)](#);
- (C) but through an apparent oversight or inadvertence, some point necessary to a full response has been omitted (i.e., appropriate consideration of a matter that the action raised, or compliance with a requirement made by the examiner, has been omitted).

Where patent owner’s amendment or response **prior to final rejection** is not fully responsive to an Office action in a reexamination and meets all of (A)

through (C) above, the prosecution of the reexamination proceeding should not be terminated; but, rather, a practice similar to that of [37 CFR 1.135\(c\)](#) (which is directed to applications) may be followed. The examiner may treat a patent owner submission which is not fully responsive to a non-final Office action by:

(A) waiving the deficiencies (if not serious) in the response and acting on the patent owner submission;

(B) accepting the amendment as a response to the non-final Office action but notifying the patent owner (via a new Office action setting a new time period for response) that the omission must be supplied; or

(C) notifying the patent owner that the response must be completed within the remaining period for response to the non-final Office action (or within any extension pursuant to [37 CFR 1.550\(c\)](#)) to avoid termination of the prosecution of the proceeding under [37 CFR 1.550\(d\)](#). This third alternative should only be used in the *very unusual situation* where there is sufficient time remaining in the period for response (including extensions under [37 CFR 1.550\(c\)](#)), as is discussed below.

Where a patent owner submission responds to the rejections, objections, or requirements in a non-final Office action and is a *bona fide* attempt to advance the reexamination proceeding to final action, but contains a minor deficiency (e.g., fails to treat every rejection, objection, or requirement), the examiner may simply act on the amendment and issue a new (non-final or final) Office action. The new Office action may simply reiterate the rejection, objection, or requirement not addressed by the patent owner submission, or the action may indicate that such rejection, objection, or requirement is no longer applicable. In the new Office action, the examiner will identify the part of the previous Office action which was not responded to and make it clear what is needed. Obviously, this course of action would not be appropriate in instances in which a patent owner submission contains a serious deficiency (e.g., the patent owner submission does not appear to have been filed in response to the non-final Office action).

Where patent owner's submission contains a serious deficiency (i.e., omission) to be dealt with prior to

issuing an action on the merits and the period for response has expired, or there is insufficient time remaining to take corrective action before the expiration of the period for response, the patent owner should be notified of the deficiency and what is needed to correct the deficiency, and given a new time period for response. The patent owner must supply the omission within the new time period for response (or any extensions under [37 CFR 1.550\(c\)](#) thereof) to avoid termination of the prosecution of the proceeding under [37 CFR 1.550\(d\)](#). The patent owner may also file a further response as permitted under [37 CFR 1.111](#). This is analogous to [37 CFR 1.135\(c\)](#) for an application.

Form paragraph 22.14 may be used where a *bona fide* response is not entirely responsive to a non-final Office action.

¶ 22.14 Submission Not Fully Responsive to Non-Final Office Action - Ex Parte Reexamination

The communication filed on [1] is not fully responsive to the prior Office action. [2]. The response appears to be *bona fide*, but through an apparent oversight or inadvertence, consideration of some matter or compliance with some requirement has been omitted. Patent owner is required to deal with the omission to thereby provide a full response to the prior Office action.

A shortened statutory period for response to this letter is set to expire [3] from the mailing date of this letter. If patent owner fails to timely deal with the omission and thereby provide a full response to the prior Office action, prosecution of the present reexamination proceeding will be terminated. [37 CFR 1.550\(d\)](#).

Examiner Note:

1. In bracket 2, the examiner should explain the nature of the omitted point necessary to complete the response, i.e., what part of the Office action was not responded to. The examiner should also make it clear what is needed to deal with the omitted point.
2. In bracket 3, if the reexamination was requested by a third party requester, the examiner should insert "ONE MONTH or thirty days, whichever is longer". If the reexamination was requested by the patent owner, if the reexamination was ordered under [35 U.S.C. 257](#), or if it is a Director-ordered reexamination, the examiner should insert "TWO MONTHS".
3. This paragraph may be used for a patent owner communication that is not completely responsive to the outstanding (i.e., prior) Office action. See [MPEP § 2266.01](#).
4. This practice does not apply where there has been a deliberate omission of some necessary part of a complete response.
5. This paragraph is only used for a response made prior to final rejection. After final rejection, an advisory Office action and Form PTOL 467 should be used, and the patent owner informed of any non-entry of the amendment.

In the very unusual situation where there is sufficient time remaining in the period for response (including extensions under [37 CFR 1.550\(c\)](#)), the patent owner may simply be notified that the omission must be supplied within the remaining time period for response. This notification should be made, first by telephone, or by email if authorized by the patent owner and contact could not be made via telephone. An interview summary record (see [MPEP § 2281](#)) must be completed and entered into the file of the reexamination proceeding to provide a record of such notification. If the examiner is not successful in contacting the patent owner, the procedure set forth above should be followed.

The practice of giving the patent owner a time period to supply an omission in a *bona fide* response (which is analogous to that set forth in [37 CFR 1.135\(c\)](#) for an application) does not apply where there has been a deliberate omission of some necessary part of a complete response; rather, it is applicable **only** when the missing matter or lack of compliance is considered by the examiner as being “inadvertently omitted.” Once an inadvertent omission is brought to the attention of the patent owner, the question of inadvertence no longer exists. Therefore, a second Office action giving another new time period to supply the omission would not be appropriate. However, if patent owner’s response to the notification of the omission raises a different issue of a different inadvertently omitted matter, a second Office action may be given.

This practice authorizes, but does not require, an examiner to give the patent owner a new time period to supply an omission. Thus, where the examiner concludes that the patent owner is attempting to abuse the practice to obtain additional time for filing a response, the practice should not be followed. If time still remains for response, the examiner may telephone the patent owner and inform the patent owner that the response must be completed within the period for response to the non-final Office action or within any extension pursuant to [37 CFR 1.550\(c\)](#) to avoid termination of the prosecution of the reexamination proceeding.

The practice of giving the patent owner a time period to supply an omission in a *bona fide* response does **not** apply after a final Office action. If a *bona fide*

response to an examiner’s action is filed **after final rejection** (before the expiration of the permissible response period), but through an apparent oversight or inadvertence, some point necessary to fully respond has been omitted, the examiner should **not** issue (to the patent owner) a notice of failure to fully respond. Rather, an advisory Office action (form PTOL-467) should be issued with an explanation of the omission. The time period set in the final rejection continues to run and is extended by two months if the response is the first response after the final rejection in accordance with the guidelines set forth in [MPEP § 2265](#). See also [MPEP § 2272](#).

Amendments after final rejection are approved for entry only if they place the proceeding in condition for issuance of a reexamination certificate or in better form for appeal. Otherwise, they are not approved for entry. See [MPEP § 714.12](#) and [§ 714.13](#). Thus, an amendment after final rejection should be denied entry if some point necessary for a complete response under [37 CFR 1.113](#) was omitted, even where the omission was through an apparent oversight or inadvertence. Where a submission after final Office action (e.g., an amendment filed under [37 CFR 1.116](#)) does not place the proceeding in condition for issuance of a reexamination certificate, the period for response continues to run until a response under [37 CFR 1.113](#) (i.e., a notice of appeal or an amendment that places the proceeding in condition for issuance of a reexamination certificate) is filed. Where a submission after appeal (e.g., an amendment filed under [37 CFR 41.33](#)) does not place the proceeding in condition for issuance of a reexamination certificate, the period for filing an appeal brief continues to run until an appeal brief or an amendment that places the proceeding in condition for issuance of a reexamination certificate is filed. The nature of the omission is immaterial. The examiner cannot give the patent owner a time period to supply the omission.

The examiner has the authority to enter the response, withdraw the final Office action, and issue a new Office action, which may be a final Office action, if appropriate, or an action in an otherwise allowable application under *Ex parte Quayle*, 25 USPQ 74, 1935 C.D. 11 (Comm’r Pat. 1935), if appropriate. This course of action is within the discretion of the examiner. However, the examiner should recognize

that substantial patent rights will be at issue with no opportunity for the patent owner to refile under [37 CFR 1.53\(b\)](#) or [1.53\(d\)](#) in order to continue prosecution nor to file a request for continued examination under [37 CFR 1.114](#). Thus, where the time has expired for response and the amendment submitted would place the proceeding in condition for issuance of a reexamination certificate except for an omission through apparent oversight or inadvertence, the examiner should follow this course of action.

2266.02 Examiner Issues Notice of Defective Paper in *Ex Parte* Reexamination [R-07.2015]

Even if the substance of a submission is complete, the submission can still be defective, i.e., an “informal submission.” Defects in the submission can be, for example:

- (A) The paper filed does not include proof of service;
- (B) The paper filed is unsigned;
- (C) The paper filed is signed by a non-practitioner who is not of record;
- (D) The amendment filed by the patent owner does not comply with [37 CFR 1.530\(d\)-\(j\)](#);
- (E) The amendment filed by the patent owner does not comply with [37 CFR 1.20\(c\)\(3\)](#) and/or [37 CFR 1.20\(c\)\(4\)](#).

Where a submission made **prior to final rejection** is defective (informal), forms PTOL-475 and PTO-2311 are used to provide notification of the defects present in the submission. Form PTOL-475 provides notification of the defect(s) in a submission filed in a third-party requested *ex parte* reexamination, while form PTO-2311 provides notification of the defect(s) in a submission filed in a patent owner requested *ex parte* reexamination (including a reexamination ordered under [35 U.S.C. 257](#)) or Director ordered *ex parte* reexamination. In many cases, it is only necessary to check the

appropriate box on the form and fill in the blanks. However, if the defect denoted by one of the entries on the appropriate form needs further clarification (such as the specifics of why the amendment does not comply with [37 CFR 1.530\(d\)-\(j\)](#)), the additional information should be set forth on a separate sheet of paper which is then attached to the form.

The defects identified above as (A) through (E) are specifically included in form PTOL-475 and PTO-2311, with the exception of (A), which only appears in form PTOL-475 (proof of service is inapplicable in patent owner requested reexaminations). If the submission contains a defect other than those specifically included on the form, the “other” box on the form is to be checked and the defect explained in the space provided for the explanation. For example, a response might be presented on easily erasable paper, and thus, a new submission would be needed.

A time period from the mailing date of the notice will be set in the appropriate form (PTOL-475 or PTO-2311) for correction of the defect(s). Extension of time to correct the defect(s) may be requested under [37 CFR 1.550\(c\)](#). If, in response to the notice, the defect still is not corrected, the submission will not be entered. If the failure to comply with the notice results in a patent owner failure to file a timely and appropriate response to any Office action, the prosecution of the reexamination proceeding generally will be terminated under [37 CFR 1.550\(d\)](#).

If a defective (informal) response to an examiner’s action is filed **after final rejection** (before the expiration of the permissible response period), the examiner should **not** issue a form PTOL-475 or form PTO-2311 notification to the patent owner. Rather, an advisory Office action (form PTOL-467 or PTOL-467A) should be issued with an explanation of the defect (informality). The time period set in the final rejection continues to run and is extended by two months if the response is the first response after the final rejection in accordance with the guidelines set forth in [MPEP § 2265](#). See also [MPEP § 2272](#).

Notice Of Defective Paper In Ex Parte Reexamination – Third Party Requested	Control Number	Patent Under Reexamination
	Examiner	Art Unit
--The MAILING DATE of this communication appears on the cover sheet with the correspondence address--		
<p>1. <input type="checkbox"/> Since no proof of service was included with the paper filed on _____, it fails to comply with 37 CFR 1.248 and 1.540. Proof of service is required within ONE (1) MONTH or THIRTY (30) DAYS from the mailing date of this letter, whichever is longer. Failure to provide proof of service may result in a refusal to consider the paper. If the failure to comply with this requirement results in a patent owner failure to file a timely and appropriate response to any Office action or any written statement of an interview required under 37 CFR 1.560(b), the prosecution of the reexamination proceeding will be terminated under 37 CFR 1.550(d).</p> <p>2. <input type="checkbox"/> The paper filed on _____ is unsigned. A duplicate paper or ratification, properly signed, is required within ONE (1) MONTH or THIRTY (30) DAYS from the mailing date of this letter, whichever is longer. Failure to comply with this requirement will result in the paper not being considered. If the failure to comply results in a patent owner failure to file a timely and appropriate response to any Office action or any written statement of an interview required under 37 CFR 1.560(b), the prosecution of the reexamination proceeding will be terminated under 37 CFR 1.550(d).</p> <p>3. <input type="checkbox"/> The paper filed on _____ is signed by _____, who is not of record. A duplicate paper or ratification signed by a person of record, a person made of record by way of a new power of attorney, is required within ONE (1) MONTH or THIRTY (30) DAYS from the mailing date of this letter, whichever is longer. Failure to comply with this requirement will result in the paper not being considered. If the failure to comply results in a patent owner failure to file a timely and appropriate response to any Office action or any written statement of an interview required under § 1.560(b), the prosecution of the reexamination proceeding will be terminated under 37 CFR 1.550(d).</p> <p>4. <input type="checkbox"/> The Amendment filed on _____ does not comply with 37 CFR 1.530(d)-(j). Patent owner is given ONE (1) MONTH or THIRTY (30) DAYS from the mailing date of this letter, whichever is longer to correct this informality; otherwise, the prosecution of the reexamination proceeding will be terminated under (37 CFR 1.550(d)).</p> <p>5. <input type="checkbox"/> The amendment filed by patent owner on _____ does not comply with 37 CFR <input type="checkbox"/> 1.20(c)(3) and/or <input type="checkbox"/> 1.20(c)(4), as to excess claim fees. Patent owner is given a time period of ONE (1) MONTH or THIRTY (30) DAYS from the mailing date of this letter, whichever is longer, to correct this fee deficiency, or the prosecution of the reexamination proceeding will be terminated under 37 CFR 1.550(d), to effect the "abandonment" set forth in 37 CFR 1.20(c)(5).</p> <p>6. <input type="checkbox"/> Other :</p>		
<p>NOTE: EXTENSIONS OF TIME ARE GOVERNED BY 37 CFR 1.550(c). See 37 CFR 1.550(c)(1) and (c)(2). If the period for response specified above is less than thirty (30) days, a response within the statutory minimum of thirty (30) days will be considered timely.</p>		
cc: Requester (if third party requester)		

Notice Of Defective Paper In Ex Parte Reexamination – Patent Owner Requested	Control Number	Patent Under Reexamination
	Examiner	Art Unit
<p><i>--The MAILING DATE of this communication appears on the cover sheet with the correspondence address--</i></p> <p>1. <input type="checkbox"/> The paper filed on _____ is unsigned. A duplicate paper or ratification, properly signed, is required within TWO (2) MONTHS from the mailing date of this letter. Failure to comply with this requirement will result in the paper not being considered. If the failure to comply results in a patent owner failure to file a timely and appropriate response to any Office action or any written statement of an interview required under 37 CFR 1.560(b), the prosecution of the reexamination proceeding will be terminated under 37 CFR 1.550(d).</p> <p>2. <input type="checkbox"/> The paper filed on _____ is signed by _____, who is not of record. A duplicate paper or ratification signed by a person of record, a person made of record by way of a new power of attorney, is required within TWO (2) MONTHS from the mailing date of this letter. Failure to comply with this requirement will result in the paper not being considered. If the failure to comply results in a patent owner failure to file a timely and appropriate response to any Office action or any written statement of an interview required under § 1.560(b), the prosecution of the reexamination proceeding will be terminated under 37 CFR 1.550(d).</p> <p>3. <input type="checkbox"/> The Amendment filed on _____ does not comply with 37 CFR 1.530(d)-(j). Patent owner is given TWO (2) MONTHS from the mailing date of this letter to correct this informality; otherwise, the prosecution of the the reexamination proceeding will be terminated under (37 CFR 1.550(d)).</p> <p>4. <input type="checkbox"/> The amendment filed by patent owner on _____, does not comply with 37 CFR <input type="checkbox"/>1.20(c)(3) and/or <input type="checkbox"/>1.20(c)(4), as to excess claim fees. Patent owner is given a time period of TWO (2) MONTHS from the mailing date of this letter to correct this fee deficiency, or the prosecution of the reexamination proceeding will be terminated under 37 CFR 1.550(d), to effect the "abandonment" set forth in 37 CFR 1.20(c)(5).</p> <p>5. <input type="checkbox"/> Other :</p>		
NOTE: EXTENSIONS OF TIME ARE GOVERNED BY 37 CFR 1.550(c). See 37 CFR 1.550(c)(1) and (c)(3).		

2266.03 Service of Papers [R-08.2017]**37 CFR 1.510 Request for ex parte reexamination.**

(b) Any request for reexamination must include the following parts:

(5) A certification that a copy of the request filed by a person other than the patent owner has been served in its entirety on the patent owner at the address as provided for in [§ 1.33\(c\)](#). The name and address of the party served must be indicated. If service was not possible, a duplicate copy must be supplied to the Office.

37 CFR 1.550 Conduct of ex parte reexamination proceedings.

(f) The reexamination requester will be sent copies of Office actions issued during the *ex parte* reexamination proceeding. After filing of a request for *ex parte* reexamination by a third party requester, any document filed by either the patent owner or the third party requester must be served on the other party in the reexamination proceeding in the manner provided by [§ 1.248](#). The document must reflect service or the document may be refused consideration by the Office.

Any paper filed with the Office in a third party requested reexamination, i.e., any submission made by either the patent owner or the third party requester, must be served on every other party in the reexamination proceeding.

As proof of service, the party submitting the paper to the Office must attach a certificate of service to the paper. It is required that the name and address of the party served, and the method of service be set forth in the certificate of service. Further, a copy of the certificate of service must be attached with the copy of the paper that is served on the other party.

Any paper for which proof of service is required, which is filed without proof of service, may be denied consideration. Where no proof of service is included, the Central Reexamination Unit should immediately contact the party making the submission to see whether the indication of proof of service was inadvertently omitted from the submission but there was actual service.

If service was in fact made, the party making the submission should be advised to submit a

supplemental paper indicating the manner and date of service. The Central Reexamination Unit should enter the submission for consideration, and annotate the submission with:

“Service confirmed by [name of person] on [date]”

If no service was made, or the party making the submission cannot be contacted where an effort to do so was made, the submission is placed in the reexamination file and normally is not considered. Where the submission is not considered because of a service defect, the submission is added to the IFW file history as an unentered paper with a “N/E” notation, along with a brief annotation as to why the paper is not entered. The submission itself shall be annotated with “no service,” which also can be crossed through if the appropriate service is later made.

If the party making the submission cannot be contacted, a Notice of Defective Paper (PTOL-475), giving one month or thirty days, whichever is longer, to complete the paper, with a supplemental paper indicating the manner and date of service, will generally be mailed to the party.

If it is known that service of a submission was not made, notice of the requirement for service of copy may be given (to the party that made the submission), if appropriate, and a one month or thirty days, whichever is longer, time period is set. Form paragraph 22.15 may be used to give notice.

¶ 22.15 Lack of Service - 37 CFR 1.550(f)

The submission filed on [1] is defective because it appears that the submission was not served on the [2]. After the filing of a request for reexamination by a third party requester, any document filed by either the patent owner or the third party requester must be served on the other party (or parties where two or more third party requester proceedings are merged) in the reexamination proceeding in the manner provided in [37 CFR 1.248](#). See [37 CFR 1.550\(f\)](#).

It is required that service of the submission be made, and a certificate of service be provided to the Office within a shortened statutory period of ONE MONTH or THIRTY DAYS, whichever is longer, from the mailing date of this letter. If service of the submission is not timely made, the submission may be denied consideration.

Examiner Note:

1. This paragraph may be used where a submission to the Office was not served as required in a third party requester reexamination proceeding.
2. In bracket 2, insert --patent owner-- or --third party requester--, whichever is appropriate.

The cover sheet to be used for mailing the notice will be form PTOL-473.

If the submission that lacks proof of service is a response to a final rejection, form PTOL-475 or form paragraph 22.15 should not be used. Rather, an advisory Office action (form PTOL-467 or PTOL-467A) should be issued with an explanation that the response lacks proof of service. The time period set in the final rejection continues to run and is extended by two months if the response is the first response after the final rejection in accordance with the guidelines set forth in [MPEP § 2265](#). See also [MPEP § 2272](#).

The failure of a party to serve the submission in response to the notice will have the following consequences:

(A) For a patent owner statement or a third party reply, the submission may be refused consideration by the Office. Where consideration is refused, the submission will not be addressed in the reexamination proceeding other than to inform parties of the lack of consideration thereof;

(B) For a patent owner response to an Office action, the response may be refused consideration by the Office. Where consideration of a response is refused, the prosecution of the proceeding will be terminated in accordance with [37 CFR 1.550\(d\)](#), unless the patent owner has otherwise completely responded to the Office action.

See [MPEP § 2220](#) as to the initial third party request.

See [MPEP § 2249](#) as to the patent owner statement.

See [MPEP § 2251](#) as to third party reply.

See [MPEP § 2266](#) as to patent owner responses to an Office action.

2267 Handling of Inappropriate or Untimely Filed Papers [R-07.2015]

The applicable regulations ([37 CFR 1.501\(a\), 1.550\(e\)](#)) provide that certain types of correspondence will not be considered or acknowledged unless timely received. Whenever reexamination correspondence is received, a decision is required of the Office as to the action to be taken on the correspondence based on what type of paper it is and whether it is timely.

The return of inappropriate submissions complies with the regulations that certain papers will not be considered and also reduces the amount of paper which would ultimately have to be scanned into the record. Where an inappropriate (unauthorized, improper) paper has already been scanned into the Image File Wrapper (IFW) of the reexamination proceeding before discovery of the inappropriate nature of the paper, the paper cannot be physically returned to the party that submitted it. Instead, the paper will be “returned” by expunging it, i.e., by marking the paper as “non-public” and “closed” so that it does not appear in the active IFW record with the other active papers that comprise the public record of the reexamination proceeding.

I. DISPOSITION OF PAPERS

Where papers are filed during reexamination proceedings which are inappropriate because of some defect, such papers will be expunged from the official file by marking the papers “closed” and “non-public”.

II. TYPES OF PAPERS EXPUNGED WITH APPROVAL OF THE DIRECTOR OF THE USPTO OR CRU/TC DIRECTOR OR SPRS

Filed by Owner	A. Premature Response by Owner-
§ 1.530(a), § 1.540	Where the patent owner is NOT the requester, any response or amendment filed by owner prior to an order to reexamine is premature, will not be considered, and will be expunged.
§ 1.550(g)	B. Paper Submitted on Behalf of Third Party -

Filed by Owner	A. Premature Response by Owner-
	Submission filed on behalf of a third party will not be considered, and will be expunged. Where third party paper is submitted as part of a patent owner response, see MPEP § 2254 and § 2266 .

In those rare instances where an opposition to a patent owner petition is filed, after such opposition is filed by a third party requester (regardless of whether such opposition has an entry right or not), any further paper in opposition/rebuttal/response to the third party opposition paper will not be considered and will be expunged. There must be a limitation on party iterations of input, especially given the statutory mandate for special dispatch in reexamination.

mandate for special dispatch in reexamination. Further, any petition requesting that an extension of time be denied will be expunged, since a requester does not have a participation right in the reexamination proceeding.

Filed by Third Party	
§ 1.501 , § 1.565(a)	Unless a paper submitted by a third party raises only issues appropriate under 37 CFR 1.501 , or consists solely of a prior decision on the patent by another forum, e.g., a court (see MPEP § 2207 and § 2286 or presentation of a paper of record in a litigation (see MPEP § 2282)), it will be destroyed, or if inadvertently entered, it will be expunged from the file.

Filed by Requester	A. No Statement Filed by Owner -
§ 1.535	If a patent owner fails to file a statement within the prescribed limit, any reply by the requester is inappropriate, will not be considered, and will be expunged.
	B. Late Response by Requester -
§ 1.535 , § 1.540	Any response subsequent to 2 months from the date of service of the patent owner's statement will not be considered, and will be expunged.
	C. Additional Response by Requester-
§ 1.550(g)	The active participation of the reexamination requester ends with the reply pursuant to § 1.535 . Any further submission on behalf of requester will not be considered, and will be expunged.

In those rare instances where an opposition to a requester petition is filed, after such opposition is filed by the patent owner (regardless of whether such opposition has an entry right or not), any further paper in opposition/rebuttal/response to the patent owner opposition paper will not be considered and will be returned. There must be a limitation on party iterations of input, especially given the statutory

Where a petition under [37 CFR 1.182](#) or [1.183](#) has been filed, the reexamination proceeding should be forwarded to the Office of Patent Legal Administration for decision.

III. TYPES OF DEFECTIVE PAPERS TO BE RETAINED IN THE REEXAMINATION FILE

Filed by Owner	A. Unsigned Papers -
§ 1.33	Papers filed by owner which are unsigned or signed by less than all of the owners (no attorney of record or acting in representative capacity).
	B. No Proof of Service -
§ 1.248	Papers filed by the patent owner in which no proof of service on requester is included and proof of service is required may be denied consideration.
	C. Untimely Papers -
§ 1.530(b) , § 1.540	Where owner has filed a paper which is untimely, that is, it was filed after

Filed by Owner	A. Unsigned Papers -
	the period set for response, the paper will not be considered.

Filed by Requester	A. Unsigned Papers -
	Papers filed by requester which are unsigned will not be considered.
	B. No Proof of Service -
§ 1.510(b)(5) , § 1.33 , § 1.248	Papers filed by requester in which no proof of service on owner is included and where proof of service is required may be denied consideration.

In those limited instances where there is a right to file an opposition to a petition, any such opposition must be filed within two weeks of the date upon which a copy of the original petition was served on the opposing party, to ensure consideration. Any such opposition which is filed after the two-week period will remain in the record, even though it is not considered.

IV. PAPERS LOCATED IN THE PATENT FILE

§ 1.501	Citations by Third Parties
§ 1.550(h)	Submissions by third parties based solely on prior art patents or publications filed after the date of the order to reexamine are not entered into the patent file but delayed until the reexamination proceedings have been concluded. See MPEP § 2206 .

2268 Petition for Entry of Late Papers for Revival of Reexamination Proceeding [R-07.2015]

35 U.S.C. 27 Revival of applications; reinstatement of reexamination proceedings.

The Director may establish procedures, including the requirement for payment of the fee specified in [section 41\(a\)\(7\)](#), to revive an unintentionally abandoned application for patent, accept an unintentionally delayed payment of the fee for issuing each patent, or accept an unintentionally delayed response by the patent owner in a reexamination proceeding, upon petition by the applicant for patent or patent owner.

35 U.S.C. 41 Patent fees; patent and trademark search systems.

(a) GENERAL FEES. — The Director shall charge the following fees:

(7) REVIVAL FEES. — On filing each petition for the revival of an abandoned application for a patent, for the delayed payment of the fee for issuing each patent, for the delayed response by the patent owner in any reexamination proceeding, for the delayed payment of the fee for maintaining a patent in force, for the delayed submission of a priority or benefit claim, or for the extension of the 12-month period for filing a subsequent application, \$1,700. The Director may refund any part of the fee specified in this paragraph, in exceptional circumstances as determined by the Director.

35 U.S.C. 133 Time for prosecuting application.

Upon failure of the applicant to prosecute the application within six months after any action therein, of which notice has been given or mailed to the applicant, or within such shorter time, not less than thirty days, as fixed by the Director in such action, the application shall be regarded as abandoned by the parties thereto.

37 CFR 1.137 Revival of abandoned application, or terminated or limited reexamination prosecution.

(a) *Revival on the basis of unintentional delay.* If the delay in reply by applicant or patent owner was unintentional, a petition may be filed pursuant to this section to revive an abandoned application or a reexamination prosecution terminated under [§ 1.550\(d\)](#) or [§ 1.957\(b\)](#) or limited under [§ 1.957\(c\)](#).

(b) *Petition requirements.* A grantable petition pursuant to this section must be accompanied by:

- (1) The reply required to the outstanding Office action or notice, unless previously filed;
- (2) The petition fee as set forth in [§ 1.17\(m\)](#);
- (3) Any terminal disclaimer (and fee as set forth in [§ 1.20\(d\)](#)) required pursuant to paragraph (d) of this section; and
- (4) A statement that the entire delay in filing the required reply from the due date for the reply until the filing of a grantable petition pursuant to this section was unintentional. The Director may require additional information where there is a question whether the delay was unintentional.

(e) *Request for reconsideration.* Any request for reconsideration or review of a decision refusing to revive an abandoned application, or a terminated or limited reexamination prosecution, upon petition filed pursuant to this section, to be considered timely, must be filed within two months of the decision refusing to revive or within such time as set in the decision. Unless a decision indicates otherwise, this time period may be extended under:

- (1) The provisions of [§ 1.136](#) for an abandoned application;

(2) The provisions of [§ 1.550\(c\)](#) for a terminated *ex parte* reexamination prosecution, where the *ex parte* reexamination was filed under [§ 1.510](#); or

(3) The provisions of [§ 1.956](#) for a terminated *inter partes* reexamination prosecution or an *inter partes* reexamination limited as to further prosecution, where the *inter partes* reexamination was filed under [§ 1.913](#).

Pursuant to [37 CFR 1.550\(d\)](#), the prosecution of an *ex parte* reexamination proceeding is terminated if the patent owner fails to file a timely and appropriate response to any Office action or any written statement of an interview required under [37 CFR 1.560\(b\)](#). An *ex parte* reexamination prosecution terminated under [37 CFR 1.550\(d\)](#) can be revived if the delay in response by the patent owner (or the failure to timely file the interview statement) was unintentional in accordance with [37 CFR 1.137](#).

The failure to timely file a statement pursuant to [37 CFR 1.530](#) or a reply pursuant to [37 CFR 1.535](#), however, would not (under ordinary circumstances) constitute adequate basis to justify a showing of unintentional delay regardless of the reasons for the failure, since failure to file a statement or reply does not result in a “termination” of the reexamination prosecution, to which [37 CFR 1.137](#) is directed.

All petitions in reexamination proceedings to accept late papers and to revive the proceedings will be decided in the Office of Patent Legal Administration.

I. PETITION BASED ON UNAVOIDABLE DELAY IS NO LONGER AVAILABLE

[37 CFR 1.137](#) was revised to implement the changes in the Patent Law Treaties Implementation Act of 2012 (PLTIA) to eliminate revival of an abandoned application and reexamination prosecution terminated under [§ 1.550\(d\)](#) under the “unavoidable” standard, and to provide for the revival of abandoned applications and the acceptance of delayed responses in reexamination by patent owners on the basis of unintentional delay. Specifically, section 201(b) of the PLTIA added new [35 U.S.C. 27](#), which provides that the Director may establish procedures to revive an unintentionally abandoned application for patent, accept an unintentionally delayed payment of the fee for

issuing a patent, or accept an unintentionally delayed response by the patent owner in a reexamination proceeding, upon petition by the applicant for patent or patent owner. Accordingly, [37 CFR 1.137\(a\)](#) was amended to eliminate the provisions pertaining to petitions on the basis of unavoidable delay. These changes were effective on December 18, 2013 and apply to all any patent application filed before, on, or after December 18, 2013, to any patent resulting from an application filed before, on, or after December 18, 2013, to any reexamination proceeding filed before, on, or after December 18, 2013, and to any reexamination proceeding resulting from a supplemental examination proceeding filed before, on, or after December 18, 2013.

II. PETITION BASED ON UNINTENTIONAL DELAY

As discussed in paragraph I above, section 201(b) of the PLTIA added new [35 U.S.C. 27](#), which provides that the Director may establish procedures to accept an unintentionally delayed response by the patent owner in a reexamination proceeding, upon petition by the patent owner. The patent laws formerly provided for revival of an unintentionally abandoned application only in the patent fee provisions of [35 U.S.C. 41\(a\)\(7\)](#). See Public Law 97–247, section 3(a), 96 Stat. 317–18 (1982). The unintentional delay fee provisions of [35 U.S.C. 41\(a\)\(7\)](#) were imported into, and were applicable to, all *ex parte* reexamination proceedings by section 4605 of the American Inventors Protection Act of 1999. The unintentional delay provisions of [35 U.S.C. 41\(a\)\(7\)](#) became effective in reexamination proceedings on November 29, 2000. However, this statutory structure raised questions concerning the Office’s authority to revive an unintentionally abandoned application (without a showing of unavoidable delay) in certain situations. See e.g., *Aristocrat Techs. Australia Pty Ltd. v. Int’l Game Tech.*, 543 F.3d 657 (Fed. Cir. 2008).

[37 CFR 1.137\(a\)](#), as amended in the final rule to implement the PLTIA, provides that if the delay in reply by patent owner was unintentional, a petition may be filed pursuant to [37 CFR 1.137](#) to revive a reexamination prosecution terminated under [37 CFR 1.550\(d\)](#). [37 CFR 1.137\(b\)](#) states the petition requirements. Specifically, for *ex parte*

reexamination proceedings, [37 CFR 1.137\(b\)](#) provides that a grantable petition pursuant to [37 CFR 1.137](#) must be accompanied by: (1) The reply required to the outstanding Office action or notice, unless previously filed; (2) the petition fee as set forth in [37 CFR 1.17\(m\)](#); and (3) a statement that the entire delay in filing the required reply from the due date for the reply until the filing of a grantable petition pursuant to this section was unintentional. [37 CFR 1.137](#) continues to provide that the Director may require additional information where there is a question whether the delay was unintentional.

III. RENEWED PETITION

Reconsideration may be requested of a decision dismissing or denying a petition under [37 CFR 1.137](#) to revive a terminated reexamination prosecution. The request for reconsideration must be submitted within two months from the mail date of the decision for which reconsideration is requested. An extension of time may be requested only under [37 CFR 1.550\(c\)](#); extensions of time under [37 CFR 1.136](#) are not available in reexamination proceedings. The extension of time provisions of [37 CFR 1.550\(c\)](#) also apply to any request for an extension filed in a reexamination proceeding ordered under [35 U.S.C. 257](#) as a result of a supplemental examination proceeding. Any reconsideration request which is submitted should include a cover letter entitled “Renewed Petition under [37 CFR 1.137](#)”.

IV. FURTHER DISCUSSION OF THE PETITION REQUIREMENTS

See also [MPEP § 711.03\(c\)](#) for a detailed discussion of the requirements of petitions filed under [37 CFR 1.137](#).

2269 Reconsideration [R-08.2012]

In order to be entitled to reconsideration, the patent owner must respond to the Office action. [37 CFR 1.111\(b\)](#). The patent owner may respond to such Office action with or without amendment and the patent under reexamination will be reconsidered, and so on repeatedly unless the examiner has indicated that the action is final. See [37 CFR 1.112](#). Any amendment after the second Office action, which will normally be final as provided for in

[MPEP § 2271](#), must ordinarily be restricted to the rejection or to the objection or requirement made.

2270 Clerical Handling [R-07.2015]

The legal instrument examiners and paralegals will handle most of the initial clerical processing of the reexamination file. The Central Reexamination Unit (CRU) Supervisory Patent Reexamination Specialist (SPRS) or Technology Center (TC) Quality Assurance Specialist (QAS) provides oversight as to clerical processing.

Amendments submitted with a request filed under [35 U.S.C. 302](#), or after reexamination is ordered under [35 U.S.C. 304](#) or under [35 U.S.C. 257](#), and which comply with [37 CFR 1.530\(d\)-\(j\)](#), will generally be entered for purposes of reexamination in the reexamination file if submitted prior to a final action. See [MPEP § 2234](#) and [§ 2250](#) for the manner of entering amendments.

For entry of amendments in a merged reissue-reexamination proceeding, see [MPEP § 2283](#) and [§ 2285](#).

Where an amendment is submitted in proper form prior to a final action and it is otherwise appropriate to enter the amendment, the amendment will be entered for purposes of the reexamination proceeding, even though the amendment does not have legal effect until the certificate is issued. Any “new matter” amendment to the disclosure ([35 U.S.C. 132](#)) will be required to be canceled, and claims containing new matter will be rejected under [35 U.S.C. 112](#). A “new matter” amendment to the drawing is ordinarily not entered. See [MPEP §§ 608.04](#), [608.04\(a\)](#), and [608.04\(c\)](#). Where an amendment enlarges the scope of the claims of the patent, the amendment will be entered; however the appropriate claims will be rejected under [35 U.S.C. 305](#).

2271 Final Action [R-07.2015]

Before a final action is in order, a clear issue should be developed between the examiner and the patent owner. To bring the prosecution to a speedy conclusion and at the same time deal justly with the

patent owner and the public, the examiner will twice provide the patent owner with such information and references as may be useful in defining the position of the Office as to unpatentability before the action is made final. Initially, the decision ordering reexamination of the patent will contain an identification of the substantial new questions of patentability that the examiner considers to be raised by the cited prior art. In addition, the first Office action will reflect the consideration of any arguments contained in the request, any amendments submitted with a request under [35 U.S.C. 302](#), any owner's statement filed pursuant to [37 CFR 1.530](#), and any reply thereto by the requester, and should fully apply all relevant grounds of rejection to the claims.

The statement which the patent owner may file under [37 CFR 1.530](#) and the response to the first Office action should completely respond to and/or amend with a view to avoiding all outstanding grounds of rejection.

It is intended that the second Office action in the reexamination proceeding following the decision ordering reexamination will generally be made final. The criteria for making a rejection final in an *ex parte* reexamination proceeding is analogous to that set forth in [MPEP § 706.07\(a\)](#) for making a rejection final in an application. Both the patent owner and the examiner should recognize that a reexamination proceeding may result in the final cancellation of claims from the patent and that the patent owner does not have the right to renew or continue the proceedings by refiling under [37 CFR 1.53\(b\)](#) or [37 CFR 1.53\(d\)](#) or former 37 CFR 1.60 or 1.62, nor by filing a request for continued examination under [37 CFR 1.114](#). Complete and thorough actions by the examiner coupled with complete responses by the patent owner, including early presentation of evidence under [37 CFR 1.131\(a\)](#) or [37 CFR 1.132](#), will go far in avoiding such problems and reaching a desirable early termination of the reexamination prosecution.

In making the final rejection, all outstanding grounds of rejection of record should be carefully reviewed and any grounds or rejection relied on should be reiterated. The grounds of rejection must (in the final rejection) be clearly developed to such an extent that the patent owner may readily judge the advisability

of an appeal. However, where a single previous Office action contains a complete statement of a ground of rejection, the final rejection may refer to such a statement and also should include a rebuttal of any arguments raised in the patent owner's response.

I. PROCESS OF PREPARING THE ACTION

After an examiner has determined that the reexamination proceeding is ready for the final Office action, the examiner will set up a panel review conference, as per [MPEP § 2271.01](#), to discuss the issuance of the action. The examiner may prepare the action after the conference, or may prepare the action prior to the conference and revise it as needed after the conference.

If the conference confirms the examiner's preliminary decision to reject and/or allow the claims and issue a final Office action, the proposed final Office action shall be issued and signed by the examiner, with the two, or more, other conferees initialing the action (as "conferee") to indicate their presence in the conference.

II. FORM PARAGRAPHS

The final rejection letter should conclude with one of form paragraphs 22.09 or 22.10.

¶ 22.09 Ex Parte Reexamination - Action Is Final

THIS ACTION IS MADE FINAL.

A shortened statutory period for response to this action is set to expire [1] from the mailing date of this action.

Extensions of time under [37 CFR 1.136\(a\)](#) do not apply in reexamination proceedings. The provisions of [37 CFR 1.136](#) apply only to "an applicant" and not to parties in a reexamination proceeding. Further, in [35 U.S.C. 305](#) and in [37 CFR 1.550\(a\)](#), it is required that reexamination proceedings "will be conducted with special dispatch within the Office."

Extensions of time in reexamination proceedings are provided for in [37 CFR 1.550\(c\)](#). A request for extension of time must specify the requested period of extension and it must be accompanied by the petition fee set forth in [37 CFR 1.17\(g\)](#). Any request for an extension in a third party requested *ex parte* reexamination must be filed on or before the day on which action by the patent owner is due, and the mere filing of a request will not effect any extension of time. A request for an extension of time in a third party requested *ex parte* reexamination will be granted only for sufficient cause, and for a reasonable time

specified. Any request for extension in a patent owner requested *ex parte* reexamination (including reexamination ordered under [35 U.S.C. 257](#)) for up to two months from the time period set in the Office action must be filed no later than two months from the expiration of the time period set in the Office action. A request for an extension in a patent owner requested *ex parte* reexamination for more than two months from the time period set in the Office action must be filed on or before the day on which action by the patent owner is due, and the mere filing of a request for an extension for more than two months will not effect the extension. The time for taking action in a patent owner requested *ex parte* reexamination will not be extended for more than two months from the time period set in the Office action in the absence of sufficient cause or for more than a reasonable time.

The filing of a timely first response to this final rejection will be construed as including a request to extend the shortened statutory period for an additional two months. In no event, however, will the statutory period for response expire later than SIX MONTHS from the mailing date of the final action. See [MPEP § 2265](#).

Examiner Note:

1. This form paragraph may be used only in reexamination proceedings.
2. In bracket 1, insert the appropriate period for response, which is normally TWO (2) MONTHS.

¶ 22.10 Ex Parte Reexamination - Action Is Final, Necessitated by Amendment

Patent owner's amendment filed [1] necessitated the new grounds of rejection presented in this Office action. Accordingly, **THIS ACTION IS MADE FINAL**. See [MPEP § 706.07\(a\)](#).

A shortened statutory period for response to this action is set to expire [2] from the mailing date of this action.

Extensions of time under [37 CFR 1.136\(a\)](#) do not apply in reexamination proceedings. The provisions of [37 CFR 1.136](#) apply only to "an applicant" and not to parties in a reexamination proceeding. Further, in [35 U.S.C. 305](#) and in [37 CFR 1.550\(a\)](#), it is required that reexamination proceedings "will be conducted with special dispatch within the Office."

Extensions of time in reexamination proceedings are provided for in [37 CFR 1.550\(c\)](#). A request for extension of time must specify the requested period of extension and it must be accompanied by the petition fee set forth in [37 CFR 1.17\(g\)](#). Any request for an extension in a third party requested *ex parte* reexamination must be filed on or before the day on which action by the patent owner is due, and the mere filing of a request will not effect any extension of time. A request for an extension of time in a third party requested *ex parte* reexamination will be granted only for sufficient cause, and for a reasonable time specified. Any request for extension in a patent owner requested *ex parte* reexamination (including reexamination ordered under [35 U.S.C. 257](#)) for up to two months from the time period set in the Office action must be filed no later than two months from the expiration of the time period set in the Office action. A

request for an extension in a patent owner requested *ex parte* reexamination for more than two months from the time period set in the Office action must be filed on or before the day on which action by the patent owner is due, and the mere filing of a request for an extension for more than two months will not effect the extension. The time for taking action in a patent owner requested *ex parte* reexamination will not be extended for more than two months from the time period set in the Office action in the absence of sufficient cause or for more than a reasonable time.

The filing of a timely first response to this final rejection will be construed as including a request to extend the shortened statutory period for an additional two months. In no event, however, will the statutory period for response expire later than SIX MONTHS from the mailing date of the final action. See [MPEP § 2265](#).

Examiner Note:

1. This form paragraph may be used only in reexamination proceedings.
2. In bracket 1, insert filing date of amendment.
3. In bracket 2, insert the appropriate period for response, which is normally TWO (2) MONTHS.
4. As with all other Office correspondence on the merits in a reexamination proceeding, the final Office action must be signed by a primary examiner.

III. ART CITED BY PATENT OWNER DURING PROSECUTION

Where art is submitted in a prior art citation under [37 CFR 1.501](#) and/or [37 CFR 1.555](#) (an IDS filed in a reexamination is construed as a prior art citation) and the submission is not accompanied by a statement similar to that of [37 CFR 1.97\(e\)](#), the examiner may use the art submitted and make the next Office action final whether or not the claims have been amended, provided that no other new ground of rejection is introduced by the examiner based on the new art not cited in the prior art citation. See [MPEP § 706.07\(a\)](#).

IV. SIGNATORY AUTHORITY

As with all other Office correspondence on the merits in a reexamination proceeding, the final Office action must be signed by a primary examiner.

2271.01 Panel Review [R-07.2015]

A panel review will be conducted at each stage of the examiner's examination in an *ex parte* reexamination proceeding, other than for actions

such as notices of informality or incomplete response. Matters requiring decision outside of the examiner's jurisdiction (e.g., decisions on petitions or extensions of time, or Central Reexamination Unit (CRU) support staff notices) will not be reviewed by a panel.

The panel review is carried out for each Office action. The panel reviews the examiner's preliminary decision to reject and/or allow the claims in the reexamination proceeding, prior to the issuance of each Office action.

I. MAKE-UP OF THE PANEL

The panel will consist of three, or more, members, one of whom will be a manager. The second member will be the examiner in charge of the proceeding. The manager may select the third member. The examiner-conferees will be primary examiners, or examiners who are knowledgeable in the technology of the invention claimed in the patent being reexamined and/or who are experienced in reexamination practice. The majority of those present at the conference will be examiners who were not involved in the examination or issuance of the patent. An "original" examiner (see [MPEP § 2236](#)) should be chosen as a conferee only if that examiner is the most knowledgeable in the art, or there is some other specific and justifiable reason to choose an original examiner as a participant in the conference.

II. PANEL PROCESS

The examiner must inform his/her manager of his/her intent to issue an Office action. The manager will then convene a panel and the members will confer and review the patentability of the claim(s). If the conference confirms the examiner's preliminary decision to reject and/or allow the claims, the Office action shall be issued and signed by the examiner, with the two, or more, other conferees initialing the action (as "conferee") to indicate their participation in the conference. All conferees will initial, even though one of them may have dissented from the 3-party conference decision as to the patentability of claims. If the conference does not confirm the examiner's preliminary decision, examiner will reevaluate and issue an appropriate Office action.

Where the examiner in charge of the proceeding is not in agreement with the conference decision, the manager will generally assign the proceeding to another examiner.

III. WHAT THE CONFERENCE IS TO ACCOMPLISH

Each conference will provide a forum to consider all issues of patentability as well as procedural issues having an impact on patentability. Review of the patentability of the claims by more than one primary examiner should diminish the perception that the patent owner can disproportionately influence the examiner in charge of the proceeding. The conferences will also provide greater assurance that all matters will be addressed appropriately. All issues in the proceeding will be viewed from the perspectives of three examiners. What the examiner in charge of the proceeding might have missed, the other two, or more, conference members would likely detect. The conference will provide for a comprehensive discussion of, and finding for, each issue.

IV. CONSEQUENCES OF FAILURE TO HOLD CONFERENCE

Should the examiner issue an Office action without panel review, the patent owner or the third party requester who wishes to object must promptly file a paper alerting the Office of this fact. (The failure to provide panel review would be noted by the parties where there are no conferees' initials at the end of the Office action.) Any challenge of the failure to hold a panel review conference must be made within two weeks of receipt of the Office action issued, or the challenge will not be considered. In no event will the failure to hold a panel review conference, by itself, be grounds for vacating any Office decision(s) or action(s) and "restarting" the reexamination proceeding.

2272 After Final Practice [R-07.2015]

It is intended that prosecution before the examiner in a reexamination proceeding will be concluded with the final action. Once a final rejection that is not premature has been entered in a reexamination proceeding, the patent owner no longer has any right

to unrestricted further prosecution. Consideration of amendments submitted after final rejection and prior to, or with, the appeal will be governed by the strict standards of [37 CFR 1.116](#). Further, consideration of amendments submitted after appeal will be governed by the strict standards of [37 CFR 41.33](#). Both the examiner and the patent owner should recognize that substantial patent rights will be at issue with no opportunity for the patent owner to refile under [37 CFR 1.53\(b\)](#), or [1.53\(d\)](#), and with no opportunity to file a request for continued examination under [37 CFR 1.114](#). Accordingly, both the examiner and the patent owner should identify and develop all issues prior to the final Office action, including the presentation of evidence under [37 CFR 1.131\(a\)](#) and [1.132](#).

In the event that the patent owner is of the opinion that (A) a final rejection is improper or premature, or (B) that an amendment submitted after final rejection complies with [37 CFR 1.116](#) but the examiner improperly refused entry of such an amendment, the patent owner may file a petition under [37 CFR 1.181](#) requesting that the final rejection be withdrawn and that prosecution be reopened, or file a petition under [37 CFR 1.181](#) requesting entry of the amendment, where appropriate. The petition under [37 CFR 1.181](#) must be filed within the time period for filing a notice of appeal. Note that the filing of a petition under [37 CFR 1.181](#) does **not** toll the time period for filing a notice of appeal.

I. FINAL REJECTION — TIME FOR RESPONSE

The statutory period for response to a final rejection in a reexamination proceeding will normally be two (2) months. If a response to the final rejection is filed, the time period set in the final rejection continues to run. In any *ex parte* reexamination proceeding, including third party requested reexaminations, patent owner requested reexaminations (including reexaminations ordered under [35 U.S.C. 257](#)) or Director ordered reexaminations, the time period is automatically extended by two months (in accordance with the guidelines set forth in [MPEP § 2265](#)) if the response is the first response after the final rejection and a notice of appeal has not yet been filed. Any advisory Office action using form PTOL-467, *Ex Parte*

Reexamination Advisory Action Before the Filing of an Appeal Brief, which is issued in reply to patent owner's response after final rejection (and prior to the filing of the notice of appeal) will inform the patent owner of the automatic two month extension of time. It should be noted that the filing of any timely first response to a final rejection (even an informal response or even a response that is not signed) will automatically result in the extension of the shortened statutory period for an additional two months. Note further that the patent owner is entitled to know the examiner's ruling on a timely response filed after final rejection before being required to file a notice of appeal. Notification of the examiner's ruling should reach the patent owner with sufficient time for the patent owner to consider the ruling and act on it. Accordingly, the period for response to the final rejection should be appropriately extended in the examiner's advisory action. See *Theodore Groz & Sohne & Ernst Bechert Nadelfabrik KG v. Quigg*, 10 USPQ2d 1787 (D.D.C. 1988). The period for response may not, however, be extended to run past 6 months from the date of the final rejection.

The present after final practice of providing an automatic two-month extension for filing a response to a final Office action is in conformance with the minimum reply period provisions of the Patent Law Treaty (PLT). For this reason, additional "no cause" extensions of time for filing a response to a final Office action in patent owner requested or Director ordered reexaminations are not available. Any extensions of time for more than two months from the time for response set in the final rejection must provide a showing of sufficient cause in accordance with [37 CFR 1.550\(c\)\(3\)](#). See [MPEP § 2265](#), subsections VI-VII.

II. ACTION BY EXAMINER

It should be kept in mind that a patent owner cannot, as a matter of right, amend any finally rejected claims, add new claims after a final rejection, or reinstate previously canceled claims. For an amendment filed after final rejection and prior to the appeal brief, a showing under [37 CFR 1.116\(b\)](#) is required and will be evaluated by the examiner for all proposed amendments after final rejection except where an amendment merely cancels claims, adopts examiner's suggestions, removes issues for appeal,

or in some other way requires only a cursory review by the examiner. An amendment filed at any time after final rejection but before an appeal brief is filed, may be entered upon or after filing of an appeal provided:

(A) the total effect of the amendment is to cancel claims or comply with any requirement of form expressly set forth in a previous Office action, or present rejected claims in better form for consideration on appeal;

(B) for an amendment touching the merits of the patent under reexamination, the patent owner provides a showing of good and sufficient reasons why the amendment is necessary and was not earlier presented.

The first proposed amendment after final action in a reexamination proceeding will be given sufficient consideration to determine whether it places all the claims in condition where they are patentable and/or whether the issues on appeal are reduced or simplified. Unless the proposed amendment is entered in its entirety, the examiner will briefly explain the reasons for not entering a proposed amendment. For example, if the claims as amended present a new issue requiring further consideration or search, the new issue should be identified and a brief explanation provided as to why a new search or consideration is necessary. The patent owner should be notified if certain portions of the amendment would be entered if a separate paper was filed containing only such amendment.

Any second or subsequent amendment after final will be considered only to the extent that it removes issues for appeal or puts a claim in obvious patentable condition.

Since patents undergoing reexamination cannot become abandoned and cannot be refiled, and since the holding of claims unpatentable and canceled in a certificate is absolutely final, it is appropriate that the examiner consider the feasibility of entering amendments touching the merits after final rejection or after appeal has been taken, where there is a showing why the amendments are necessary and a suitable reason is given why they were not earlier presented.

The practice of giving the patent owner a time period to supply an omission in a *bona fide* response (as set forth in [MPEP § 2266.01](#)) does **not** apply after a final Office action. If a *bona fide* response to an examiner's action is filed **after final rejection** (before the expiration of the permissible response period), but through an apparent oversight or inadvertence, some point necessary to fully respond has been omitted, the examiner should **not** issue (to the patent owner) a notice of failure to fully respond. Rather, an advisory Office action (e.g., form PTOL-467) should be issued with an explanation of the omission.

Likewise, the practice of notifying the patent owner of the defects present in a submission via form PTOL-475 or form PTO-2311 and setting a time period for correction of the defect(s) (as set forth in [MPEP § 2266.02](#)) does **not** apply after a final Office action. If a defective (informal) response to an examiner's action is filed **after final rejection** (before the expiration of the permissible response period), the examiner should **not** issue a form PTOL-475 or form PTO-2311 notification to the patent owner. Rather, an advisory Office action (e.g., form PTOL-467) should be issued with an explanation of the defect (informality) being provided in the advisory action.

2273 Appeal in *Ex Parte* Reexamination [R-07.2015]

35 U.S.C. 306 Appeal.

The patent owner involved in a reexamination proceeding under this chapter may appeal under the provisions of [section 134](#), and may seek court review under the provisions of [sections 141 to 144](#), with respect to any decision adverse to the patentability of any original or proposed amended or new claim of the patent.

A patent owner who is dissatisfied with the primary examiner's decision to reject claims in an *ex parte* reexamination proceeding may appeal to the Board for review of the examiner's rejection by filing a notice of appeal within the required time. A third party requester may not appeal, and may not participate in the patent owner's appeal.

The patent owner may appeal to the Board only after the final rejection of the claims. This is based on the version of [35 U.S.C. 134](#) as amended by Public Law

106-113. This version of [35 U.S.C. 134](#) applies to appeals in reexamination, where the reexamination was filed in the Office on or after November 29, 1999. See Section 13202(d) of Public Law 107-273.

The notice of appeal need not be signed. See [37 CFR 41.31\(b\)](#). The fee required by [37 CFR 41.20\(b\)\(1\)](#) must accompany the notice of appeal. See [37 CFR 41.31\(a\)\(2\)](#) and [\(a\)\(3\)](#).

The period for filing the notice of appeal is the period set for response in the last Office action which is normally 2 months. The timely filing of a first response to a final rejection having a shortened statutory period for response is construed as including a request to extend the period for response an additional two months, even if an extension has been previously granted, as long as the period for response does not exceed 6 months from the date of the final rejection. The normal *ex parte* appeal procedures set forth at [37 CFR 41.31](#) through [37 CFR 41.54](#) apply in *ex parte* reexamination, except as pointed out in this Chapter. A third party requester may not appeal or otherwise participate in the appeal.

The reexamination statute does not provide for review of a patentability decision favoring the patentee. *Greenwood v. Seiko Instruments*, 8 USPQ2d 1455 (D.D.C. 1988).

See [MPEP § 1204](#) for a discussion of the requirements for a proper appeal. However, note that in the unusual circumstances where an appeal is defective (e.g., no proof of service is included, it was filed for the wrong proceeding), patent owner should **not** be advised by the examiner to obtain an extension of time under [37 CFR 1.136\(a\)](#), because an extension of time under [37 CFR 1.136](#) cannot be obtained in a reexamination proceeding.

Where a notice of appeal is defective, the patent owner will be so notified. In third party requested reexaminations, Form PTOL-475 will be used to provide the notification. A time period of one month or thirty days, whichever is longer, will be provided for the patent owner to cure the defect(s) in the appeal. In patent owner requested reexaminations (including reexaminations ordered under [35 U.S.C. 257](#)) or Director ordered reexaminations, Form PTO-2311 will be used to provide the notification,

and a two-month time period will be provided for the patent owner to cure the defect(s) in the appeal. An explanation of the defect(s) in the notice of appeal must accompany the appropriate form for providing the notification of the defects (PTOL-475 or PTO-2311).

If the patent owner does not timely file a notice of appeal and/or does not timely file the appropriate appeal fee, the patent owner will be notified that the appeal is dismissed. Form PTOL-468 may be used to provide the notification. The reexamination prosecution is then terminated, and a Notice of Intent to Issue *Ex Parte* Reexamination Certificate (NIRC) will subsequently be issued indicating the status of the claims at the time of final rejection (or after the second rejection of the claims, where an appeal was taken from that action without waiting for a final rejection). See [MPEP § 2287](#).

2274 Appeal Brief [R-07.2015]

I. AMENDMENT

Where the appeal brief is not filed, but within the period allowed for filing the brief an amendment is presented which places the claims of the patent under reexamination in a patentable condition, the amendment may be entered. Amendments should not be included in the appeal brief.

As to separate amendments, i.e., amendments not included with the appeal brief, filed with or after the appeal, see [MPEP § 1206](#).

II. TIME FOR FILING APPEAL BRIEF

The time for filing the appeal brief is two (2) months from the date of the appeal.

III. EXTENSION OF TIME FOR FILING APPEAL BRIEF

In the event that the patent owner finds that he or she is unable to file a brief within the time allowed by the rules, he or she may file a request with the appropriate extension of time fee, to the Central Reexamination Unit (CRU) or Technology Center (TC), requesting additional time. See [MPEP § 2265](#) for specific guidance. The request should contain

the address to which the response is to be sent. If the request and the required fee are filed prior to the expiration of the period sought to be extended ([37 CFR 1.550\(c\)](#)), the CRU SPRS or TC Director is authorized to grant the extension for up to one month in third party requested reexamination proceedings, and for up to two months (i.e., a “no cause” extension) in patent owner requested reexamination proceedings (including reexaminations ordered under [35 U.S.C. 257](#)) or Director ordered reexamination proceedings. Requests for extensions of time for more than one month in third party requested reexaminations and for more than two months in patent owner requested reexaminations (including reexaminations ordered under [35 U.S.C. 257](#)) or Director ordered reexaminations, will also be decided by the CRU SPRS or TC Director, but will not be granted unless extraordinary circumstances are involved; e.g., death or incapacitation of the patent owner. The time extended is added to the last calendar day of the original period, as opposed to being added to the day it would have been due when said last day is a Saturday, Sunday, or federal holiday.

IV. FAILURE TO TIMELY FILE APPEAL BRIEF

Failure to file the brief and/or the appeal brief fee within the permissible time will result in dismissal of the appeal. Form PTOL-468 may be used to notify the patent owner that the appeal is dismissed. The reexamination prosecution is then terminated, and a Notice of Intent to Issue *Ex Parte* Reexamination Certificate (NIRC) (see [MPEP § 2287](#)) will subsequently be issued indicating the status of the claims at the time of appeal.

V. REQUIREMENTS FOR THE APPEAL BRIEF

A fee as set forth in [37 CFR 41.20\(b\)\(2\)](#) is required when the appeal brief is filed for the first time in a particular reexamination proceeding, [35 U.S.C. 41\(a\)](#). [37 CFR 41.37](#) provides that the appellant shall file a brief of the authorities and arguments on which he or she will rely to maintain his or her appeal, including a summary of claimed subject matter which must refer to the specification by page and line number, and to the drawing, if any, by reference characters, and a copy of the claims involved. Only one copy of the appeal brief is required. Where the

request for reexamination was filed by a third party requester, a copy of the brief must be served on that third party requester.

In the case of a merged proceeding (see [MPEP § 2283](#) and [§ 2285](#)), one original copy of the brief should be provided for each reexamination proceeding and reissue application in the merged proceeding. In addition, a copy of the brief must be served on any third party requesters who are part of the merged proceeding.

For the sake of convenience, the copy of the claims involved should be double spaced and should start on a new page. Note that the copy of the claims on appeal in reexamination proceedings must include all underlining and bracketing, as required by [37 CFR 1.530\(f\)](#), to reflect the changes made to the original patent claims throughout the prosecution of the reexamination. In addition, any new claims added in the reexamination should be completely underlined. This represents a departure from the procedure set forth in [MPEP § 1205.02](#) for applications.

The brief, as well as every other paper relating to an appeal, should indicate the number of the art unit to which the reexamination is assigned and the reexamination control number. When the brief is received, it is forwarded to the CRU or TC (depending which is examining the proceeding) where it is entered in the file and referred to the examiner.

Patent owners are reminded that their briefs in appeal cases must be responsive to every ground of rejection stated by the examiner. A reply brief, if filed, shall be entered, except that amendments or affidavits or other evidence are subject to [37 CFR 1.116](#) and [41.33](#). See [37 CFR 41.41\(a\)\(2\)](#).

It is essential that the Board should be provided with a brief fully stating the position of the appellant with respect to each issue involved in the appeal so that no search of the record is required in order to determine that position. The fact that appellant may consider a ground to be clearly improper does not justify a failure on the part of the appellant to point out to the Board the reasons for that view in the brief.

See [MPEP § 1205.02](#) for further discussion of the requirements for an appeal brief.

VI. SEEKING REVIEW OF A FINDING OF A SUBSTANTIAL NEW QUESTION OF PATENTABILITY

The patent owner may seek review on the examiner's SNQ determination before the Board along with any appeal of the examiner's rejections. To obtain review of the SNQ issue, patent owner must include the SNQ issue and the appropriate arguments in its appeal brief to the Board. In order to preserve the right to have the Board review of the SNQ issue, a patent owner must have first requested reconsideration of the SNQ issue by the examiner. Accordingly, for *ex parte* reexamination proceedings ordered on or after June 25, 2010, the patent owner may seek a final agency decision from the Board on the SNQ issue only if the patent owner has first requested reconsideration before the examiner (e.g., in a patent owner's statement under [37 CFR 1.530](#) or in a patent owner's response under [37 CFR 1.111](#)) and then seeks review of the examiner's SNQ determination before the Board. In its appeal brief, the patent owner is to clearly present the issue and arguments regarding the examiner's SNQ determination under a separate heading and identify the communication in which the patent owner first requested reconsideration before the examiner. (For *ex parte* reexamination proceedings ordered prior to June 25, 2010, if the patent owner presents the SNQ issue in its appeal brief, the Board panel will review the procedural SNQ issue along with its review of any rejections in an appeal and will enter a final agency decision accordingly.)

The final decision by the Board panel in the *ex parte* reexamination proceeding may include: (1) its review of the procedural SNQ issue in a separate section, and (2) its review of the merits of the rejections. See, e.g., *In re Searles*, 422 F.2d 431, 434-35 (C.C.P.A. 1970) (holding certain procedural matters that are "determinative of the rejection" are properly appealable to the Board); see also *In re Hengehold*, 440 F.2d 1395, 1404 (C.C.P.A. 1971) ("[T]he kind of adverse decisions of examiners which are reviewable by the board must be those which relate, at least indirectly, to matters involving the rejection of the claims."); cf. [37 CFR 41.121](#) (providing both

"substantive" motions and "miscellaneous," i.e., procedural motions, which may be decided together in a single decision).

The patent owner may file a single request for rehearing under [37 CFR 11.52](#) for both the decision on the SNQ issue and the merits decision on the examiner's rejections, resulting in a single final decision for purposes of judicial review. Judicial review of the Board's final decision issued pursuant to [35 U.S.C. 134](#), which will incorporate the decision on the finding of a SNQ, is directly to the United States Court of Appeals for the Federal Circuit under [35 U.S.C. 141](#). See *In re Hiniker Co.*, 150 F.3d 1362, 1367 (Fed. Cir. 1998) ("With direct review by this court of the Board's reexamination decisions, a patentee can be certain that it cannot be subjected to harassing duplicative examination."); see also *Heinl v. Godici*, 143 F. Supp. 2d 593, 597-598 (E.D. Va. 2001).

VII. DEFECTIVE APPEAL BRIEF

Since May 25, 2010, the Patent Trial and Appeal Board, (Board), has the sole responsibility for determining whether appeal briefs filed in *ex parte* reexamination proceedings comply with [37 CFR 41.37](#), and will complete the determination before the appeal brief is forwarded to the examiner for consideration. If the appeal brief is determined to be compliant with the rules or it contains only minor informalities that do not affect the Board panel's ability to render a decision, the Board will accept the appeal brief and forward it to the examiner for consideration. If the Board determines that the appeal brief is non-compliant with [37 CFR 41.37](#) and sends appellant a notice of non-compliant brief requiring a corrected brief, appellant will be required to file a corrected brief within the time period set forth in the notice to avoid the dismissal of the appeal. The Board also has the sole responsibility for determining whether corrected briefs comply with [37 CFR 41.37](#), and addresses any inquiries and petitions regarding notices of non-compliant briefs.

Once an appeal brief is accepted by the Board as in compliance with [37 CFR 41.37](#), the appeal brief will not later be held as defective by the CRU or the examiner. The Board will not return or remand the proceeding to the examiner for issues related to a

non-compliant appeal brief. Furthermore, examiners are not required to review appeal briefs for the purposes of determining whether the appeal briefs comply with [37 CFR 41.37](#). Accordingly, the Notification of Non-Compliant Appeal Brief (PTOL-462R) and form paragraphs for holding an appeal brief defective are no longer be available in OACS for the CRU to use.

Examiners are no longer to hold any appeal briefs defective. Rather, the Board will correspond directly with the appellant on non-compliant brief issues. In a rare situation where an appeal brief contains serious defects that will prevent the examiner from drafting an examiner's answer, the examiner should report the issue to the Director of CRU who will communicate with the Board regarding the issue if appropriate.

In addition, examiners are not required to make any determination whether fewer than all of the rejected claims are identified by the appellant as being appealed. If the notice of appeal or appeal brief identifies fewer than all of the rejected claims as being appealed, the issue will be addressed by the Board panel. Therefore, the examiner will treat all pending, rejected claims as being on appeal, and the examiner must maintain all of the rejections set forth in the Office action from which the appeal is taken, unless appellant has overcome the rejection (e.g., by submitting persuasive arguments, an acceptable terminal disclaimer, or evidence). In situations where the appellant makes a request to hold a rejection in abeyance or did not present any argument on a rejection in the appeal brief, the examiner should maintain the rejection in the examiner's answer.

The responsibility of the Board for determining whether appeal briefs comply with [37 CFR 41.37](#) is not considered a transfer of jurisdiction when an appeal brief is filed, but rather is only a transfer of the specific responsibility of notifying appellants under [37 CFR 41.37\(d\)](#) of the reasons for non-compliance. The CRU retains the jurisdiction over the reexamination proceeding to consider the appeal brief, conduct a conference, draft an examiner's answer, and decide the entry of amendments, evidence, and information disclosure statements filed after final or after the filing of a notice of appeal. Furthermore, petitions concerning

the refusal to enter amendments and/or evidence remain delegated as per [MPEP §§ 1002.02\(b\)](#) and [1002.02\(c\)](#). The jurisdiction of the *ex parte* reexamination proceeding is transferred to the Board when a docketing notice is entered after the time period for filing a reply brief expires or the examiner acknowledges the receipt and entry of the reply brief.

It is to be noted that the mere filing of any paper whatsoever entitled as a brief cannot necessarily be considered as compliance with [37 CFR 41.37](#). The rule requires that the brief must set forth the authorities and arguments relied on, and to the extent that it fails to do so with respect to any ground of rejection, that ground may be summarily sustained. A distinction must be made between the lack of any argument and the presentation of arguments that carry no conviction. In the former case summarily sustaining the rejection is in order, while in the latter case a decision on the merits is made, although it may well be merely an affirmance based on the grounds relied on by the examiner.

Appellant must traverse *every* ground of rejection set forth in the final rejection that appellant is presenting for review in the appeal. Oral argument at the hearing will not remedy a deficiency of failure to traverse a ground of rejection in the brief. Ignoring or acquiescing in any rejection, even one based upon formal matters which could be cured by subsequent amendment, will invite summarily affirmance of the rejection.

The reexamination prosecution is considered terminated as of the date of the dismissal of the appeal. After the appeal is dismissed, the examiner will proceed to issue a Notice of Intent to Issue *Ex Parte* Reexamination Certificate for the proceeding; see [MPEP § 2287](#).

2275 Examiner's Answer [R-08.2017]

37 CFR 41.39 Examiner's answer.

(a) *Content of examiner's answer.* The primary examiner may, within such time as may be directed by the Director, furnish a written answer to the appeal brief.

(1) An examiner's answer is deemed to incorporate all of the grounds of rejection set forth in the Office action from which the appeal is taken (as modified by any advisory action and pre-appeal brief conference decision), unless the examiner's answer expressly indicates that a ground of rejection has been withdrawn.

(2) An examiner's answer may include a new ground of rejection. For purposes of the examiner's answer, any rejection that relies upon any Evidence not relied upon in the Office action from which the appeal is taken (as modified by any advisory action) shall be designated by the primary examiner as a new ground of rejection. The examiner must obtain the approval of the Director to furnish an answer that includes a new ground of rejection.

(b) *Appellant's response to new ground of rejection.* If an examiner's answer contains a rejection designated as a new ground of rejection, appellant must within two months from the date of the examiner's answer exercise one of the following two options to avoid sua sponte dismissal of the appeal as to the claims subject to the new ground of rejection:

(1) *Reopen prosecution.* Request that prosecution be reopened before the primary examiner by filing a reply under § 1.111 of this title with or without amendment or submission of affidavits (§§ 1.130, 1.131 or 1.132 of this title) or other Evidence. Any amendment or submission of affidavits or other Evidence must be relevant to the new ground of rejection. A request that complies with this paragraph will be entered and the application or the patent under *ex parte* reexamination will be reconsidered by the examiner under the provisions of § 1.112 of this title. Any request that prosecution be reopened under this paragraph will be treated as a request to withdraw the appeal.

(2) *Maintain appeal.* Request that the appeal be maintained by filing a reply brief as set forth in § 41.41. Such a reply brief must address as set forth in § 41.37(c)(1)(iv) each new ground of rejection and should follow the other requirements of a brief as set forth in § 41.37(c). A reply brief may not be accompanied by any amendment, affidavit (§§ 1.130, 1.131 or 1.132 of this title) or other Evidence. If a reply brief filed pursuant to this section is accompanied by any amendment, affidavit or other Evidence, it shall be treated as a request that prosecution be reopened before the primary examiner under paragraph (b)(1) of this section.

(c) *Extensions of time.* Extensions of time under § 1.136(a) of this title for patent applications are not applicable to the time period set forth in this section. See § 1.136(b) of this title for extensions of time to reply for patent applications and § 1.550(c) of this title for extensions of time to reply for *ex parte* reexamination proceedings.

[MPEP § 1207](#) through [§ 1207.05](#) relate to preparation of examiner's answers in appeals. The procedures covered in these sections apply to appeals in both patent applications and patents undergoing *ex parte* reexamination proceedings, except as provided for in this Chapter. For example, there is no requirement for pre-appeal conferences in reexamination proceedings but there is a requirement for panel review of the examiner's answer.

After receipt of a reply brief in compliance with [37 CFR 41.41](#) or the expiration of the time in which to file such a reply brief ([37 CFR 41.35](#)), jurisdiction

over the appeal passes to the Board. Normally, the examiner does not need to acknowledge the reply brief and will not have an opportunity for further comment prior to a decision by the Board. However, the Board may remand the appeal to the examiner to furnish a substitute examiner's answer responsive to the remand or the Director may remand the proceeding under [37 CFR 41.35\(c\)](#), such as where there has been a change of law that would require that a new ground of rejection be considered. See [37 CFR 41.50\(a\)\(2\)](#) and [MPEP § 1207.05](#) for information on substitute examiner's answer. A substitute examiner's answer is not permitted unless the reexamination proceeding has been remanded by the Board or Director for such purposes.

2276 Oral Hearing [R-08.2012]

If appellant (patent owner) desires an oral hearing, appellant must file a written request for such hearing accompanied by the fee set forth in [37 CFR 41.20\(b\)\(3\)](#) within two months after the date of the examiner's answer or supplemental examiner's answer. The time for requesting an oral hearing may not be extended. [37 CFR 41.73\(b\)](#). No appellant will be permitted to participate in an oral hearing unless he or she has requested an oral hearing and submitted the fee set forth in [37 CFR 41.20\(b\)\(3\)](#).

Where the appeal involves reexamination proceedings, oral hearings are open to the public as observers (subject to the admittance procedures established by the Board), unless the appellant (A) petitions under [37 CFR 41.3](#) that the hearing not be open to the public, (B) presents sufficient reasons for such a request, (C) pays the petition fee set forth in [37 CFR 41.20\(a\)](#), and (D) the petition is granted.

[MPEP § 1209](#) relates to oral hearings in appeals in both patent applications and *ex parte* reexamination proceedings.

2277 Board Decision [R-11.2013]

[MPEP § 1213](#) through [§ 1213.03](#) relate to decisions of the Board for both applications and *ex parte* reexamination proceedings.

2278 Action Following Decision [R-08.2017]

[MPEP § 1214](#) through [§ 1214.07](#) provide the procedures to be followed after the conclusion of the appeal to the Board, for both patent applications and *ex parte* reexamination proceedings, except as provided for in this Chapter.

Claims indicated as allowable but objected to prior to appeal because of their dependency from rejected new or amended claims will be treated as if they were rejected. In other words, dependent claims with allowable subject matter but based on rejected new or amended claims would be “objected to” in the same manner as in applications and handled in a similar manner as discussed in [MPEP § 1214.06](#). However, allowable dependent claims based on an unamended patent claim that has been rejected, canceled, or otherwise not subject to reexamination should not be objected to or rejected because of its dependency. See [MPEP § 2260.01](#) and subsection II below.

I. EXAMINER SUSTAINED IN WHOLE OR IN PART - NO CLAIMS STAND ALLOWED

The following examples illustrate the appropriate approach to be taken by the examiner in various situations in a reexamination proceeding assuming no further appeal has been filed and the time period for filing a further appeal has expired:

(A) Example 1: Amended claim 1 is rejected in the examiner’s answer and claim 2 was objected to prior to appeal as being allowable except for its dependency from amended claim 1. If the Board affirms a rejection of amended patent claim 1, the examiner should prepare a “Notice of Intent to Issue *Ex Parte* Reexamination Certificate” (NIRC) indicating that claims 1 and 2 are canceled.

(B) Example 2: All claims are rejected in the examiner’s answer. If the Board affirms a rejection against a new or amended independent claim and reverses all rejections against a claim dependent thereon, after expiration of the period for further appeal, the examiner should proceed in one of two ways:

(1) Convert the dependent claim into independent form by examiner’s amendment, cancel

all claims in which the rejection was affirmed, and prepare the NIRC as appropriate; or

(2) Set a 1-month time limit in which appellant may rewrite the dependent claim(s) in independent form. Extensions of time under [37 CFR 1.550\(c\)](#) will not be permitted. If no timely reply is received, the examiner will prepare the NIRC indicating all claims are canceled, because no claims stand allowed.

II. EXAMINER SUSTAINED IN WHOLE OR IN PART - CLAIMS STAND ALLOWED

The appellant is not required to file a reply, and the examiner prepares the NIRC indicating which the claims stand allowed and which claims are canceled. It is not necessary for the patent owner to cancel the rejected claims because they may be canceled by an examiner’s amendment. The following examples illustrate the appropriate approach to be taken by the examiner in various situations in a reexamination proceeding assuming no further appeal has been filed and the time period for filing a further appeal has expired:

(A) Example 1: Amended claim 1 is rejected in the examiner’s answer, claim 2 was objected to prior to appeal as being allowable except for its dependency from amended claim 1, and independent claim 3 was allowed prior to the appeal. If the Board affirms a rejection of amended claim 1, the examiner should issue the NIRC with claims 1 and 2 as canceled and claim 3 as confirmed or patentable.

(B) Example 2: Amended claim 1 and its dependent claim 2 are rejected in the examiner’s answer and independent claim 3 was allowed prior to the appeal. If the Board affirms a rejection against amended independent claim 1, and reverses all rejections against dependent claim 2, the examiner should either:

(1) Convert dependent claim 2 into independent form by examiner’s amendment, cancel claim 1 in which the rejection was affirmed, and issue the NIRC indicating claims 2 and 3 as patentable and claim 1 as canceled; or

(2) Set a 1-month time limit in which appellant may rewrite dependent claim 2 in independent form. Extensions of time under [37 CFR 1.550\(c\)](#) will not be permitted. If no timely reply is received, the examiner will cancel claims 1 and 2

and issue the NIRC indicating only claim 3 as patentable.

(C) Example 3: Unamended patent claim 1 is rejected in the examiner's answer, claim 2 was objected to prior to appeal as being allowable except for its dependency from unamended patent claim 1 and independent claim 3 was allowed prior to the appeal. Dependent claim 2 may be either unamended or amended. If the Board affirms a rejection of unamended patent claim 1, the examiner should issue the NIRC with claim 1 as canceled and claims 2 and 3 as confirmed or patentable.

(D) Example 4: Unamended patent claim 1 and dependent claim 2 are rejected in the examiner's answer. Dependent claim 2 may be either unamended or amended. If the Board affirms a rejection of unamended patent claim 1 and reverses the rejection of dependent claim 2, the examiner should prepare the NIRC indicating that claim 1 is canceled and claim 2 is allowed.

2279 Appeal to Courts [R-07.2015]

A patent owner who is not satisfied with the decision of the Board may seek judicial review.

The patent owner may appeal the decision of the Board only to the United States Court of Appeals for the Federal Circuit pursuant to [35 U.S.C. 141](#). This is based on the version of [35 U.S.C. 141](#) and [35 U.S.C. 145](#) as they were amended by Public Law 106-113. This version of [35 U.S.C. 141](#) and [35 U.S.C. 145](#) applies to appeals in reexamination, where the reexamination was filed in the Office on or after November 29, 1999 and the proceeding was commenced before September 16, 2012. See Section 13202(d) of Public Law 107-273. Similarly, [35 U.S.C. 141\(b\)](#), as further amended by Public Law 112-29 (effective September 16, 2012), only provides for appeal of a final decision in a reexamination proceeding to the United States Court of Appeals for the Federal Circuit.

A third party requester of an *ex parte* reexamination may not seek judicial review. *Yuasa Battery v. Comm'r*, 3 USPQ2d 1143 (D.D.C. 1987).

While the reexamination statutory provisions do not provide for participation by any third party requester

during any court review, the courts have permitted intervention by a third party requester in appropriate circumstances. See *In re Etter*, 756 F.2d 852, 225 USPQ 1 (Fed. Cir. 1985) and *Reed v. Quigg*, 230 USPQ 62 (D.D.C. 1986). See also [MPEP §§ 1216, 1216.01](#), and [1216.02](#). A third party requester who is permitted to intervene in a civil action has no standing to appeal the court's decision, *Boeing Co. v. Comm'r*, 853 F.2d 878, 7 USPQ2d 1487 (Fed. Cir. 1988).

2280 Information Material to Patentability in Reexamination Proceeding Filed under 35 U.S.C. 302 [R-08.2017]

37 CFR 1.555 Information material to patentability in ex parte reexamination and inter partes reexamination proceedings.

(a) A patent by its very nature is affected with a public interest. The public interest is best served, and the most effective reexamination occurs when, at the time a reexamination proceeding is being conducted, the Office is aware of and evaluates the teachings of all information material to patentability in a reexamination proceeding. Each individual associated with the patent owner in a reexamination proceeding has a duty of candor and good faith in dealing with the Office, which includes a duty to disclose to the Office all information known to that individual to be material to patentability in a reexamination proceeding. The individuals who have a duty to disclose to the Office all information known to them to be material to patentability in a reexamination proceeding are the patent owner, each attorney or agent who represents the patent owner, and every other individual who is substantively involved on behalf of the patent owner in a reexamination proceeding. The duty to disclose the information exists with respect to each claim pending in the reexamination proceeding until the claim is cancelled. Information material to the patentability of a cancelled claim need not be submitted if the information is not material to patentability of any claim remaining under consideration in the reexamination proceeding. The duty to disclose all information known to be material to patentability in a reexamination proceeding is deemed to be satisfied if all information known to be material to patentability of any claim in the patent after issuance of the reexamination certificate was cited by the Office or submitted to the Office in an information disclosure statement. However, the duties of candor, good faith, and disclosure have not been complied with if any fraud on the Office was practiced or attempted or the duty of disclosure was violated through bad faith or intentional misconduct by, or on behalf of, the patent owner in the reexamination proceeding. Any information disclosure statement must be filed with the items listed in [§ 1.98\(a\)](#) as applied to individuals associated with the patent owner in a reexamination proceeding, and should be filed within two months of the date of the order for reexamination, or as soon thereafter as possible.

(b) Under this section, information is material to patentability in a reexamination proceeding when it is not

cumulative to information of record or being made of record in the reexamination proceeding, and

(1) It is a patent or printed publication that establishes, by itself or in combination with other patents or printed publications, a *prima facie* case of unpatentability of a claim; or

(2) It refutes, or is inconsistent with, a position the patent owner takes in:

(i) Opposing an argument of unpatentability relied on by the Office, or

(ii) Asserting an argument of patentability.

A *prima facie* case of unpatentability of a claim pending in a reexamination proceeding is established when the information compels a conclusion that a claim is unpatentable under the preponderance of evidence, burden-of-proof standard, giving each term in the claim its broadest reasonable construction consistent with the specification, and before any consideration is given to evidence which may be submitted in an attempt to establish a contrary conclusion of patentability.

(c) The responsibility for compliance with this section rests upon the individuals designated in paragraph (a) of this section and no evaluation will be made by the Office in the reexamination proceeding as to compliance with this section. If questions of compliance with this section are raised by the patent owner or the third party requester during a reexamination proceeding, they will be noted as unresolved questions in accordance with [§ 1.552\(c\)](#).

The duty of disclosure in reexamination proceedings filed under [35 U.S.C. 302](#) applies to the patent owner; to each attorney or agent who represents the patent owner, and to every other individual who is substantively involved on behalf of the patent owner. That duty is a continuing obligation on all such individuals throughout the proceeding. The continuing obligation during the reexamination proceeding is that any such individual to whom the duty applies who is aware of, or becomes aware of, patents or printed publications which (A) are material to patentability in a reexamination proceeding, and (B) which have not previously been made of record in the patent file, must bring such patents or printed publications to the attention of the Office.

Such individuals are strongly encouraged to file information disclosure statements in accordance with [37 CFR 1.98](#), within two months of the date of the order to reexamine, or as soon thereafter as possible, in order to bring the patents or printed publications to the attention of the Office. An information disclosure statement filed under [37 CFR 1.555](#) by the patent owner after the order for reexamination and before the first action on the merits may be

submitted as part of the statement under [37 CFR 1.530](#), or it may be filed as a separate paper. If the information disclosure statement is filed as part of a statement under [37 CFR 1.530](#), the submission may include a discussion of the patentability issues in the reexamination. If, however, the submission is filed as a separate paper, not part of a statement under [37 CFR 1.530](#), the submission must be limited to a listing of the information disclosed and an explanation of its relevance. See [37 CFR 1.98](#). Any discussion of the information disclosed relating to patentability issues in the reexamination would be improper.

To comply with [37 CFR 1.98\(a\)](#) as to documents cited in the patent or its parent applications that a party wishes to submit, the party must supply copies of the information. [37 CFR 1.98\(a\)\(2\)](#) requires a legible copy of:

(1) each foreign patent;

(2) each publication or that portion which caused it to be listed, other than U.S. patents and U.S. patent application publications unless required by the Office;

(3) for each cited pending unpublished U.S. application, the application specification including the claims, and any drawing of the application, or that portion of the application which caused it to be listed including any claims directed to that portion;

(4) all other information or that portion which caused it to be listed.

The exception to the requirement for copies noted in [37 CFR 1.98\(d\)](#) does not apply to *ex parte* and *inter partes* reexamination proceedings, since a reexamination proceeding does not rely on the patent for an earlier effective filing date.

Any individual substantively involved in the reexamination proceeding filed under [35 U.S.C. 302](#) may satisfy the duty by disclosing the information to the attorney or agent having responsibility for the reexamination proceeding or to a patent owner acting in their own behalf. A patent owner may satisfy the duty by disclosing the information to the attorney or agent having responsibility for the reexamination proceeding. An attorney, agent, or patent owner who receives information has no duty to submit such

information if it is not material to patentability in the reexamination proceeding. See [37 CFR 1.555\(b\)](#) for the definition of “material to patentability.”

The responsibility of compliance with [37 CFR 1.555](#) rests on all such individuals. Any fraud practiced or attempted on the Office or any violation of the duty of disclosure through bad faith or intentional misconduct by any such individual results in noncompliance with [37 CFR 1.555\(a\)](#). This duty of disclosure is consistent with the duty placed on patent applicants by [37 CFR 1.56](#). Any such issues raised by the patent owner or the third party requester during a reexamination proceeding will merely be noted as unresolved questions under [37 CFR 1.552\(c\)](#).

All such individuals who fail to comply with [37 CFR 1.555\(a\)](#) do so at the risk of diminishing the quality and reliability of the reexamination certificate issuing from the proceeding.

However, the material to patentability standard set forth in [37 CFR 1.56\(b\)](#), which is applicable to patent applications, and not the standard set forth in [37 CFR 1.555\(b\)](#), applies in *ex parte* reexamination proceedings ordered under [35 U.S.C. 257](#) (as a result of a supplemental reexamination proceeding). Like patent application examination, *ex parte* reexamination proceedings ordered under [35 U.S.C. 257](#) are not limited to patents and printed publications. In contrast, the material to patentability standard under [37 CFR 1.555\(b\)](#), which is applicable to *ex parte* reexaminations filed under [35 U.S.C. 302](#), is limited to patents and printed publications. Any reference to “applicant” in [37 CFR 1.56\(b\)](#) will be read as “patent owner” in the context of *ex parte* reexamination proceedings ordered under [35 U.S.C. 257](#), because these proceedings are only available to a patent owner. See [MPEP § 2818.01](#); see also [MPEP Chapter 2000](#).

See [MPEP § 2282](#) (*ex parte* reexamination) and [MPEP § 2686](#) (*inter partes* reexamination) for the patent owner’s duty to disclose prior or concurrent proceedings in which the patent is or was involved.

2281 Interviews in *Ex Parte* Reexamination Proceedings [R-07.2015]

37 CFR 1.560 Interviews in ex parte reexamination proceedings.

(a) Interviews in *ex parte* reexamination proceedings pending before the Office between examiners and the owners of such patents or their attorneys or agents of record must be conducted in the Office at such times, within Office hours, as the respective examiners may designate. Interviews will not be permitted at any other time or place without the authority of the Director. Interviews for the discussion of the patentability of claims in patents involved in *ex parte* reexamination proceedings will not be conducted prior to the first official action. Interviews should be arranged in advance. Requests that reexamination requesters participate in interviews with examiners will not be granted.

(b) In every instance of an interview with an examiner in an *ex parte* reexamination proceeding, a complete written statement of the reasons presented at the interview as warranting favorable action must be filed by the patent owner. An interview does not remove the necessity for response to Office actions as specified in [§ 1.111](#). Patent owner’s response to an outstanding Office action after the interview does not remove the necessity for filing the written statement. The written statement must be filed as a separate part of a response to an Office action outstanding at the time of the interview, or as a separate paper within one month from the date of the interview, whichever is later.

Interviews are permitted in an *ex parte* reexamination proceeding. In the *ex parte* proceeding, only *ex parte* interviews between the examiner and patent owner and/or the patent owner’s representative are permitted. Requests by third party requesters to participate in interviews or to attend interviews will not be granted. However, it is permitted for a Paralegal or Legal Instruments Examiner (or support staff in general) to telephone a requester to discuss a request that fails to comply with the filing date requirements for filing a reexamination request, because there is no reexamination proceeding yet.

In person interviews between examiner and the owners of patents undergoing *ex parte* reexamination or their attorneys or agents must be had in the Office at its Alexandria location or one of the Office’s satellite locations at such times, within Office hours when building security permits public admission, as the respective examiners may designate. Telephonic and videoconferencing interviews are permitted in *ex parte* reexamination proceedings according to the guidelines set forth in [MPEP § 713.01](#) for *ex parte* prosecution of

applications. See [MPEP § 713.01](#) for more information on the general policies on how an interview may be conducted.

Where a panel review has been conducted for an action in a reexamination proceeding, every effort will be made to have the panel members present at an interview requested by the patent owner to discuss that action. An interview initiated by the examiner to obtain an amendment to render the reexamined claims patentable might not have the panel members participating in the interview.

Interviews for the discussion of the patentability of claims in patents involved in reexamination proceedings will ordinarily not be had prior to the first Office action following the order for reexamination and any submissions pursuant to [37 CFR 1.530](#) and [1.535](#). Such interviews will be permitted prior to the first Office action *only* where the examiner initiates the interview for the purpose of providing an amendment which will make the claims patentable and the patent owner's role is passive. The patent owner's role (or patent owner's attorney or agent) is limited to agreeing to the change or not. The patent owner should not otherwise discuss the case on the merits during this interview.

The patent owner's questions on purely procedural matters may be answered by the examiner at any time during the proceeding.

Where any party who is not the patent owner requests information as to the merits of a reexamination proceeding, the examiner will not conduct an interview with that party to provide the information. Only questions on strictly procedural matters, i.e., not directed to any specific reexamination proceeding, may be discussed with that party. The party who is not the patent owner should be referred by the examiner to the Central Reexamination Unit (CRU) Supervisory Patent Reexamination Specialist (SPRS) or Technology Center (TC) Quality Assurance Specialist (QAS) to address any such questions on strictly procedural matters. See [MPEP § 2212.01](#). The following guidelines are to be followed in determining whether a question is strictly directed to a procedural matter: (A) any information which a person could obtain by reading the file (which is open to the public) is

procedural, and it may be discussed only to the extent of the information provided in the public file; (B) a matter not available from a reading of the file is considered as relating to the merits of the proceeding, and may not be discussed. Thus, for example, a question relating to when the next Office action will be rendered is improper as it relates to the merits of the proceeding (because this information cannot be obtained from a reading of the file). Such a question by a party who is not the patent owner should not be responded to by the examiner or any other official. As another example, a question regarding how the examiner is interpreting a claim limitation relates to the merits of the proceeding, and may not be discussed. If the examiner has set forth an interpretation of a claim limitation in an Office action, the examiner may only quote the Office action. The interpretation may not be further discussed, because any further information cannot be obtained from a reading of the file.

The examiner must complete an *Ex Parte* Interview Summary form PTOL-474 for each interview held where a matter of substance has been discussed (see [MPEP § 713.04](#)). If practicable, a copy of the form should be given to the patent owner at the conclusion of the interview. The original should be made of record in the reexamination file, and a copy should be mailed to any third party requester and the patent owner, if not already provided with a copy.

The general procedure for conducting interviews and recording same is described at [MPEP § 713.01 - § 713.04](#).

Pursuant to [35 U.S.C. 305](#), however, “[a]ll reexamination proceedings ... will be conducted with special dispatch within the Office.” Accordingly, there are additional procedural requirements to facilitate the statutory mandate for “special dispatch.”

In the case where the patent owner desires to initiate an interview, the patent owner should initially contact the examiner in charge of the proceeding to indicate what issues are sought to be discussed, and to determine if an interview will be granted. If the examiner agrees to grant the interview, the patent owner must file, at least three (3) working days prior to the interview, an informal written statement of

the issues to be discussed at the interview, and an informal copy of any proposed claims to be discussed, unless examiner waives this requirement. The copy of these materials is to be submitted by facsimile transmission (FAX) directly to the examiner or hand-carried to the examiner so as to avoid the possibility of delay in matching the materials with the file. The informal copies that are considered by the examiner will be made of record in the reexamination proceeding as an attachment to the Interview Summary form PTOL-474 completed by the examiner after the interview. These preliminary steps are for the purpose of providing structure to the interview so as to facilitate the statutory mandate for special dispatch.

The duration of the interview will not exceed one hour, unless the patent owner files a petition under [37 CFR 1.182](#) showing sufficient cause where more time is needed. In a reexamination proceeding, the invention should be well defined after the patent has issued, and it is simply a matter of defining the claims over art applied, to the extent such is deemed necessary. An hour of time in a structured planned interview should be sufficient to accomplish this, and in those rare instances where it is not, a patent owner may show cause to extend the time. During the interview, the examiner is always free to extend the duration of the interview to discuss issues that the examiner deems appropriate for (further) discussion. Such an extension of the duration of the interview is permitted at the examiner's sole discretion.

Only one interview may be requested after an Office action and prior to filing the response to that action, absent a showing of good cause to conduct a second interview during this period. The showing of good cause will explain why the information to be presented could not have been presented sooner, given the statutory requirement for "special dispatch" in reexamination. It is to be noted that a party requesting a second interview after final rejection must provide an advance showing that would "convince" a reasonable examiner that "it will expedite the issues for appeal or disposal of the application." See [MPEP § 713.09](#).

PATENT OWNER'S STATEMENT OF THE INTERVIEW

In every instance of an interview with the examiner, a patent owner's statement of the interview, including a complete written statement of the reasons presented at the interview as warranting favorable action, **must** be filed by the patent owner. [37 CFR 1.560\(b\)](#). The written statement must be filed either as a separate paper within one month after the date of the interview, or as a separate part of a response to an outstanding Office action, whichever is later.

The requirement for a patent owner's statement of the interview cannot be waived by the examiner. It should be noted that, pursuant to [37 CFR 1.550\(d\)](#), the failure to file a written statement of an interview as required under [37 CFR 1.560\(b\)](#) will result in the termination of the reexamination prosecution (in the same way that failure to timely respond to an Office action results in the termination of the reexamination prosecution).

2282 Notification of Existence of Prior or Concurrent Proceedings and Decisions Thereon [R-07.2015]

37 CFR 1.565 Concurrent office proceedings which include an ex parte reexamination proceeding.

(a) In an *ex parte* reexamination proceeding before the Office, the patent owner must inform the Office of any prior or concurrent proceedings in which the patent is or was involved such as interferences, reissues, *ex parte* reexaminations, *inter partes* reexaminations, or litigation and the results of such proceedings. See [§ 1.985](#) for notification of prior or concurrent proceedings in an *inter partes* reexamination proceeding.

It is important for the Office to be aware of any prior or concurrent proceedings in which a patent undergoing *ex parte* reexamination is or was involved, and any results of such proceedings. In accordance with [37 CFR 1.565\(a\)](#), the patent owner is required to provide the Office with information regarding the existence of any such proceedings, and the results thereof, if known. This requirement includes supplemental examination proceedings and reviews before the Patent Trial and Appeal Board in addition to the examples provided in [37 CFR 1.565\(a\)](#) reproduced above. Ordinarily, no submissions of any kind by third parties filed after the date of the order are entered into the

reexamination or patent file while the reexamination proceeding is pending. However, in order to ensure a complete file, with updated status information regarding prior or concurrent proceedings regarding the patent under reexamination, the Office will, at any time, accept from any parties, for entry into the reexamination file, copies of notices of suits and other proceedings involving the patent and copies of decisions or papers filed in the court from litigations or other proceedings involving the patent. Such decisions include final court decisions (even if the decision is still appealable), decisions to vacate, decisions to remand, and decisions as to the merits of the patent claims. Non-merit decisions on motions such as for a new venue, a new trial/discovery date, or sanctions will not be entered into the patent file, and will be expunged from the patent file by closing the appropriate paper if they were entered before discovery of their nature. Further, papers filed in the court from litigations or other proceedings involving the patent will not be entered into the record (and will be expunged if already entered) if they provide a party's arguments, such as a memorandum in support of summary judgment. If the argument has an entry right in the reexamination proceeding, it must be submitted via the vehicle (provision(s) of the rules) that provides for that entry right. It is not required nor is it permitted that parties submit copies of copending reexamination proceedings and applications (which copies can be mistaken for a new request/filing); rather, submitters may provide a notice identifying the application/proceeding number and its status. Any submission that is not permitted entry will be returned, expunged, or discarded, at the sole discretion of the Office. It is to be noted that if the Office, in its sole discretion, deems the volume of the papers filed from litigations or other proceedings to be too extensive/lengthy, the Office may return, expunge or discard, at its sole discretion, all or part of the submission. In such an instance, a party may limit the submission in accordance with what is deemed relevant, and resubmit the papers. Persons making such submissions must limit the submissions to the notification, and must not include further arguments or information. Where a submission is not limited to bare notice of the prior or concurrent proceedings (in which a patent undergoing reexamination is or was involved), the submission will be returned, expunged or discarded by the

Office. It is to be understood that highlighting of certain text by underlining, fluorescent marker, etc., goes beyond bare notice of the prior or concurrent proceedings.

Any proper submission pursuant to [37 CFR 1.565\(a\)](#) will be promptly entered into the record of the reexamination file, and will be considered by the examiner as to its content, when the proceeding comes up for action on the merits. Thus, for example, if the patent owner properly files in a reexamination proceeding, pursuant to [37 CFR 1.565\(a\)](#), an enterable paper from the discovery stage of litigation of the patent being reexamined, the paper would be entered into the reexamination file and considered by the examiner, the next time the proceeding comes up for action on the merits. See [MPEP § 2286](#) for Office investigation for prior or concurrent litigation.

Form paragraph 22.07 or 22.08, if appropriate, may be used to remind the patent owner of the continuing duty under [37 CFR 1.565\(a\)](#) to apprise the Office of any litigation activity.

¶ 22.07 Litigation Reminder (Patent Owner Request or Director Ordered Reexamination)

The patent owner is reminded of the continuing responsibility under [37 CFR 1.565\(a\)](#), to apprise the Office of any litigation activity, or other prior or concurrent proceeding, involving Patent No. [1] throughout the course of this reexamination proceeding. See [MPEP §§ 2207, 2282](#) and [2286](#).

Examiner Note:

This form paragraph is to be used when granting an *ex parte* reexamination request filed by a patent owner and in the first action in a Director Ordered reexamination or reexamination ordered under [35 U.S.C. 257](#).

¶ 22.08 Litigation Reminder (Third Party Requester)

The patent owner is reminded of the continuing responsibility under [37 CFR 1.565\(a\)](#), to apprise the Office of any litigation activity, or other prior or concurrent proceeding, involving Patent No. [1] throughout the course of this reexamination proceeding. The third party requester is also reminded of the ability to similarly apprise the Office of any such activity or proceeding throughout the course of this reexamination proceeding. See [MPEP §§ 2207, 2282](#) and [2286](#).

Examiner Note:

This form paragraph is to be used when granting an *ex parte* reexamination request filed by a third party requester.

2283 Multiple Copending *Ex Parte* Reexamination Proceedings [R-07.2015]

37 CFR 1.565 Concurrent Office proceedings which include an ex parte reexamination proceeding.

(c) If *ex parte* reexamination is ordered while a prior *ex parte* reexamination proceeding is pending and prosecution in the prior *ex parte* reexamination proceeding has not been terminated, the *ex parte* reexamination proceedings will usually be merged and result in the issuance and publication of a single certificate under § 1.570. For merger of *inter partes* reexamination proceedings, see § 1.989(a). For merger of *ex parte* reexamination and *inter partes* reexamination proceedings, see § 1.989(b).

This section discusses multiple copending reexamination requests which are filed on the same patent, where none of the requests is an *inter partes* request. If one of the multiple copending reexamination requests is an *inter partes* request, see [MPEP § 2686.01](#).

In order for a second or subsequent request for *ex parte* reexamination to be granted, a substantial new question of patentability must be raised by the art (patents and/or printed publications) cited in the second or subsequent request for reexamination. [MPEP § 2240](#) provides a discussion as to whether a substantial new question of patentability is raised by the prior art cited in a second or subsequent request for reexamination filed while a reexamination proceeding is pending.

If the second or subsequent request is granted, the decision on whether or not to combine the proceedings will be made by the Central Reexamination Unit (CRU) Director where the reexamination is pending. The CRU Director may delegate this to the CRU Supervisory Patent Reexamination Specialist (SPRS). No decision on combining the reexaminations should be made until after reexamination is actually ordered in the later filed request for reexamination. See subsection I below.

I. PROCEEDINGS MERGED

Where a second request for reexamination is filed and reexamination is ordered, and a first reexamination proceeding is pending, [37 CFR](#)

[1.565\(c\)](#) provides that the proceedings will usually be merged. However, a decision not to merge is within the sole discretion of the Office to facilitate/carry out the statutory mandate of [35 U.S.C. 305](#) to conduct reexamination proceedings with “special dispatch.”

Where a second request for reexamination is filed while a first reexamination proceeding is pending, the second request is decided based on the claims in effect at the time of the determination (see [37 CFR 1.515\(a\)](#)), and if reexamination is ordered, the patent owner and the second requester are given an opportunity to file a statement and reply, respectively. It is then considered whether the proceedings will, or will not, be merged. If the proceedings are merged, the prosecution will then continue at the most advanced point possible for the first proceeding. It should be noted that if a final rejection has been issued in the first proceeding, prosecution will be ordinarily be reopened where any of the new patents or printed publications presented in the second request are applied to the merged proceeding in a new ground of rejection.

The patent owner will be provided with an opportunity to respond to any new rejection in a merged reexamination proceeding prior to the action being made final. See [MPEP § 2271](#). If the reexamination proceedings are merged, a single certificate will be issued based upon the merged proceedings. See [37 CFR 1.565\(c\)](#).

II. WHEN PROCEEDING IS SUSPENDED

It may also be desirable in certain situations to suspend a proceeding for a short and specified period of time. For example, a suspension of a first reexamination proceeding may be issued to allow time for the patent owner’s statement and the requester’s reply in a second proceeding prior to merging. A suspension will only be granted in extraordinary instances, because of the statutory requirements that examination proceed with “special dispatch.” Suspension will not be granted when there is an outstanding Office action.

III. MERGER OF REEXAMINATIONS

The following guidelines should be observed when two requests for reexamination directed to a single patent have been filed.

The second request (i.e., Request 2) should be processed as quickly as possible and assigned to the same examiner to whom the first request (i.e., Request 1) is assigned. If neither request for reexamination has been ordered, the examiner must address each request within three months of its filing date. If Request 1 has been ordered, Request 2 should be decided immediately. If Request 2 is denied, *ex parte* prosecution of Request 1 should continue. If Request 2 is granted, the order in the second proceeding should be mailed immediately. The two proceedings should not be acted upon until the patent owner's statement and any reply by the requester have been received in Request 2, or until the time for filing same expires. Then, the CRU Director or the CRU Director's delegate will prepare a decision whether to merge the two proceedings.

A decision by the CRU Director to merge the reexamination proceedings should include a requirement that the patent owner maintain identical claims in both files. It will further require that responses by the patent owner, and any other paper filed in the merged proceeding, must consist of a single response, addressed to both files, filed in duplicate, each bearing a signature and containing identifying data for both files, for entry in both files. The decision will point out that both files will be maintained as separate complete files. Where the claims are not the same in both files, the decision of merger will indicate at its conclusion that the patent owner is given one month to provide an amendment to make the claims the same in each file. Where the claims are already the same in both files, the decision will indicate at its conclusion that an Office action will be mailed in due course, and that the patent owner need not take any action at present. The decision of merger will be mailed immediately.

Where the merger decision indicates that an Office action will follow, the merged proceeding is returned to the examiner immediately after the decision to issue an Office action. Where the merger decision indicates that the patent owner is given one month

to provide an amendment to make the claims the same in each file (identical amendments to be placed in all files), the CRU will await submission of the amendment or the expiration of the time to submit the amendment. After the amendment is received and processed by the technical support staff or the time for submitting the amendment expires, the merged proceeding will be returned to the examiner to issue an Office action.

Once the merged proceeding is returned to the examiner for issuance of an Office action, the examiner should prepare an Office action at the most advanced point possible for the first proceeding. Thus, if the first proceeding is ready for a final rejection and the second proceeding does not provide any new information which would call for a new ground of rejection, the examiner should issue a final rejection for the merged proceeding using the guidelines for the prosecution stage set forth below.

If the *ex parte* prosecution stage has not yet begun in Request 1 when Request 2 is received, Request 1 should be processed to the point where it is ready for *ex parte* prosecution. Then, Request 1 is normally not acted upon until Request 2 is granted and is ready for *ex parte* action following the statement and reply. Thereafter, the two proceedings would be merged. However, if Request 2 is denied, there would be no merger and prosecution will be carried out solely on Request 1. Note that Request 2 should be determined on its own merits and should not rely on nor refer to the decision issued in Request 1.

In the event that an amendment to make the claims the same in each file is required by the merger decision (identical amendments to be placed in all files) but is not timely submitted, any claim that does not contain identical text in all of the merged proceedings (or is present in one proceeding but not present in the other(s)) should be rejected under [35 U.S.C. 112](#), second paragraph, as being indefinite as to the content of the claim, and thus failing to particularly point out the invention.

IV. THE PROSECUTION STAGE, AFTER MERGER

Where merger is ordered, the patent owner is required to maintain identical amendments in the merged reexamination files for purposes of the merged proceeding. The maintenance of identical amendments in the files is required as long as the reexamination proceedings remain merged. Where identical amendments are not present in the reexamination files at the time merger is ordered, the patent owner will be required to submit an appropriate “housekeeping” amendment placing the same amendments in the proceedings. This may be accomplished by amending one or more of the proceedings, as appropriate. The patent owner must not address any issue of patentability in the housekeeping amendment. In the event that an amendment to make the claims the same in each file is required by the merger decision (identical amendments to be placed in all files) but is not timely submitted, any claim that does not contain identical text in all of the merged proceedings should be rejected under [35 U.S.C. 112](#), second paragraph, as being indefinite as to the content of the claim, and thus failing to particularly point out the invention.

When prosecution is appropriate in merged proceedings, a single combined examiner’s action will be prepared. Each action will contain the control number of the two proceedings on every page. A single action cover mailing sheet (having both control numbers at the top) will be provided by the examiner to the support staff. The support staff will ensure that the action is processed and mailed to the patent owner and to each of the requesters, that the action cover mailing sheets accurately reflect the mailing to each of these parties, that all parties receive copies of the action, the cover mailing sheets, and any other attachments, and that the entire action, including the mailing sheets and any other attachments, is scanned into the file of the Image File Wrapper (IFW) database.

When a “Notice Of Intent To Issue *Ex Parte* Reexamination Certificate” (NIRC) is appropriate, a notice will be printed for the merged proceeding and scanned into the files of the merged proceeding. Both reexamination files will then be processed. The TC or the CRU should prepare the file of the

concurrent proceedings in the manner specified in [MPEP § 2287](#) before release to Office of Data Management.

The above guidelines should be extended to those situations where more than two requests for reexamination are filed for a single patent.

V. PROCEEDINGS NOT MERGED

Pursuant to [35 U.S.C. 305](#), “[a]ll reexamination proceedings under this section...will be conducted with special dispatch within the Office.” This statutory provision is grounded on the need for certainty and finality as to the question of patentability raised by the request for reexamination. Thus, if a second request for reexamination will unduly delay the first reexamination proceeding, the two proceedings generally will not be merged. If the Office were to merge the two proceedings, the first reexamination proceeding would need to be withdrawn from its place in the process, thus delaying, instead of advancing, prosecution. This would run contrary to the statutory “special dispatch” requirement of [35 U.S.C. 305](#) and its intent. On the other hand, if the Office does not merge, the first reexamination proceeding can be concluded, and any substantial new question of patentability raised by the second reexamination request can be resolved in the second proceeding, with no delay resulting. The second request is then considered based on the claims in the patent as indicated in the issued reexamination certificate, rather than the original claims of the patent. However, the Office always retains the authority to merge because in some instances, it may be more efficient to merge the two proceedings, which would foster “special dispatch.” The instances where the Office may, or may not, merge an ongoing reexamination proceeding with a subsequent reexamination proceeding, are addressed on a case-by-case basis.

For processing of the second reexamination proceeding, see [MPEP § 2295](#).

VI. FEES IN MERGED PROCEEDINGS

Where the proceedings have been merged and a paper is filed which requires payment of a fee (e.g., excess claim fee, fee for request for extension of

time, petition fee, appeal fee, brief fee, oral hearing fee), only a single fee need be paid. For example, only one fee need be paid for an appeal brief even though the brief relates to merged multiple proceedings and copies must be filed for each file in the merged proceeding.

VII. PETITION TO MERGE MULTIPLE COPENDING REEXAMINATION PROCEEDINGS

No petition to merge multiple reexamination proceedings is necessary since the Office will generally, *sua sponte*, make a decision as to whether it is appropriate to merge the multiple reexamination proceedings. If any petition to merge the proceedings is filed prior to the determination ([37 CFR 1.515](#)) and order to reexamine ([37 CFR 1.525](#)) on the second request, it will not be considered but will be returned to the party submitting the same by the CRU Director. The decision expunging such a premature petition will be made of record in both reexamination files. See [MPEP § 2267](#).

While the patent owner can file a petition to merge the proceedings at any time after the order to reexamine ([37 CFR 1.525](#)) on the second request, the better practice is to include any such petition with the patent owner's statement under [37 CFR 1.530](#) or subsequent thereto in the event the CRU Director has not acted prior to that date to merge the multiple reexamination proceedings. The third party requester of a reexamination proceeding (reexamination # 1) does not have a right to file a petition under [37 CFR 1.182](#) to merge that reexamination proceeding with another reexamination proceeding (reexamination # 2), where that reexamination third party requester does not have any standing to request relief with respect to the other reexamination proceeding (reexamination # 2). No such standing is provided for anywhere in the statute. Instead of filing a petition under [37 CFR 1.182](#) to merge the reexamination proceedings, the third party requester may file a notification of concurrent proceedings pursuant to [MPEP § 2282](#). After being notified of the existence of the concurrent reexamination proceedings and after consideration of the merger and suspension options becomes ripe, the Office would *sua sponte* consider any action to be taken. The requester does have the right to file a petition

under [37 CFR 1.182](#) to stay the reexamination proceeding that it requested.

All decisions on the merits of petitions to merge multiple reexamination proceedings will be made by the CRU Director (or to the CRU SPRS, if the CRU Director delegates it to him or her).

2284 Copending *Ex Parte* Reexamination and Interference Proceedings [R-11.2013]

37 CFR 1.565 Concurrent office proceedings which include an ex parte reexamination proceeding.

(a) In an *ex parte* reexamination proceeding before the Office, the patent owner must inform the Office of any prior or concurrent proceedings in which the patent is or was involved such as interferences, reissues, *ex parte* reexaminations, *inter partes* reexaminations, or litigation and the results of such proceedings. See [§ 1.985](#) for notification of prior or concurrent proceedings in an *inter partes* reexamination proceeding.

(e) If a patent in the process of *ex parte* reexamination is or becomes involved in an interference, the Director may suspend the reexamination or the interference. The Director will not consider a request to suspend an interference unless a motion ([§ 41.121\(a\)\(3\)](#) of this title) to suspend the interference has been presented to, and denied by, an administrative patent judge, and the request is filed within ten (10) days of a decision by an administrative patent judge denying the motion for suspension or such other time as the administrative patent judge may set. For concurrent *inter partes* reexamination and interference of a patent, see [§ 1.993](#).

37 CFR 41.8 Mandatory notices.

(a) In an appeal brief ([§§ 41.37, 41.67, or 41.68](#)) or at the initiation of a contested case ([§ 41.101](#)), and within 20 days of any change during the proceeding, a party must identify:

- (1) Its real party-in-interest, and
- (2) Each judicial or administrative proceeding that could affect, or be affected by, the Board proceeding.

(b) For contested cases, a party seeking judicial review of a Board proceeding must file a notice with the Board of the judicial review within 20 days of the filing of the complaint or the notice of appeal. The notice to the Board must include a copy of the complaint or notice of appeal. See also [§§ 1.301 to 1.304](#) of this title.

37 CFR 41.102 Completion of examination.

Before a contested case is initiated, except as the Board may otherwise authorize, for each involved application and patent:

- (a) Examination or reexamination must be completed, and
- (b) There must be at least one claim that:
 - (1) Is patentable but for a judgment in the contested case, and
 - (2) Would be involved in the contested case.

37 CFR 41.103 Jurisdiction over involved files.

The Board acquires jurisdiction over any involved file when the Board initiates a contested case. Other proceedings for the involved file within the Office are suspended except as the Board may order.

A patent being reexamined in an *ex parte* reexamination proceeding may be involved in an interference proceeding with at least one application, where the patent and the application are claiming the same patentable invention, and at least one of the application's claims to that invention are patentable to the applicant. See [MPEP Chapter 2300](#).

The general policy of the Office is that a reexamination proceeding will not be delayed, or stayed, because of an interference or the possibility of an interference. The reason for this policy is the requirement of [35 U.S.C. 305](#) that all reexamination proceedings be conducted with "special dispatch" within the Office. In general, the Office will follow the practice of making the required and necessary decisions in the reexamination proceeding and, at the same time, going forward with the interference to the extent desirable. It is noted that [37 CFR 41.103](#) provides the Board with the flexibility to tailor a specific solution to occurrences where reexamination and interference proceedings for the same patent are copending, as such occurrences may arise. Decisions in the interference will take into consideration the status of the reexamination proceeding and what is occurring therein. The decision as to what actions are taken in the interference will, in general, be taken in accordance with normal interference practice.

Although a *patent* being reexamined via a reexamination proceeding may become involved in an interference proceeding, the reexamination proceeding itself can never be involved in an interference proceeding. See [35 U.S.C. 135](#) subsection (a) which states that "[w]henver an application is made for a patent which, in the opinion of the Director, would interfere with any pending *application*, or with any unexpired *patent*, an interference may be declared" (emphasis added). The reexamination proceeding is neither an application nor a patent.

I. ATTEMPTING TO PROVOKE AN INTERFERENCE WITH A PATENT INVOLVED IN A REEXAMINATION PROCEEDING

When an amendment is filed in a pending application seeking to provoke an interference with a patent involved in a reexamination proceeding, the applicant must comply with [37 CFR 41.202\(a\)](#), including identifying the patent under reexamination with which interference is sought. The corresponding application claims may be rejected on any applicable ground including, if appropriate, the prior art cited in the reexamination proceeding. See [MPEP Chapter 2300](#). Prosecution of the application should continue as far as possible. If the application is placed in condition for allowance and still contains claims which interfere with claims of the patent under reexamination, then an interference should ordinarily be proposed between the application and the patent. The examiner must notify the Office of Patent Legal Administration (OPLA) before proposing the interference, and such an interference may not be proposed unless authorized by OPLA.

If the interference is not authorized (e.g., resolution of an issue in the reexamination proceeding is necessary to the interference), further action on the application should be suspended until the certificate on the reexamination proceeding has been issued and published. Form paragraph 23.16 may be used to notify applicant of the suspension.

Once the reexamination certificate has issued and published, the examiner should review the certificate to see if it makes any changes in the patent claims and then evaluate whether the patent still contains claims which interfere with claims of the application. If the claims do interfere, then the examiner should propose an interference. See [MPEP Chapter 2300](#).

II. MOTION/REQUEST TO SUSPEND INTERFERENCE PENDING THE OUTCOME OF A REEXAMINATION PROCEEDING

A miscellaneous motion under [37 CFR 41.121\(a\)\(3\)](#) to suspend an interference pending the outcome of a reexamination proceeding may be made at any time during the interference by any party thereto. See [37 CFR 41.123\(b\)](#) for the procedure. The motion must be presented to the administrative patent judge

who will decide the motion based on the particular fact situation. However, suspension is not favored. Normally, no consideration will be given such a motion unless and until a reexamination order is issued, nor will suspension of the interference normally be permitted until after any motions have been disposed of in the interference proceeding. If the motion under [37 CFR 41.121\(a\)\(3\)](#) is denied by the administrative patent judge, a request to stay the interference may be made to the Director of the USPTO under [37 CFR 1.565\(e\)](#).

A request to stay an interference under [37 CFR 1.565\(e\)](#) will be decided by the Chief Administrative Patent Judge of the Board.

III. REQUEST FOR REEXAMINATION FILED DURING INTERFERENCE

In view of the provisions of [37 CFR 1.510\(a\)](#), “[a]ny person may, at any time during the period of enforceability of a patent” file a request for reexamination. Under [37 CFR 41.8\(a\)](#), the patent owner must notify the Board that a request for reexamination was filed, within 20 days of receiving notice of the request having been filed. Where it is the patent owner that files the request for reexamination, the 20 days run from the filing date of the request, since that is when the patent owner “received the notice” of filing the request. Such requests for reexamination will be processed in the normal manner. No delay, or stay, of the reexamination will occur because the requester is not a party to the interference. If the examiner orders reexamination pursuant to [37 CFR 1.525](#) and subsequently rejects a patent claim corresponding to a count in the interference, the attention of the Board shall be called thereto.

IV. INTERFERENCE DECLARED WHILE REEXAMINATION PROCEEDING IS ONGOING

Under [37 CFR 1.565](#), the patent owner in a reexamination proceeding before the Office is required to notify the Office when the patent being reexamined becomes involved in an interference. To do so, the patent owner must file in the reexamination proceeding a paper giving notice of the interference proceeding. The requirements of [37 CFR 1.565](#), and of [37 CFR 41.8\(a\)](#) (see the

preceding paragraph), are designed to keep the Office and the appropriate parties informed of activity which is relevant to reexamination and interference proceedings and, to the extent possible, to eliminate procedural surprise.

V. PETITION TO STAY REEXAMINATION PROCEEDING BECAUSE OF INTERFERENCE

Any petition to stay a reexamination proceeding, because of an interference, which is filed prior to the determination ([37 CFR 1.515](#)) and order to reexamine ([37 CFR 1.525](#)) will not be considered, but will be returned to the party submitting the same. The decision returning such a premature petition will be made of record in the reexamination file, but no copy of the petition will be retained by the Office. A petition to stay the reexamination proceeding because of the interference may be filed by the patent owner as a part of the patent owner’s statement under [37 CFR 1.530](#) or subsequent thereto. If a party to the interference, other than the patent owner, is a requester of the reexamination, that party may petition to stay the reexamination proceeding as a part of a reply pursuant to [37 CFR 1.535](#). If the other party to the interference is not the requester, any petition by that party is improper under [37 CFR 1.550\(g\)](#) and will not be considered. Any such improper petitions will be returned to the party submitting the same. Premature petitions to stay the reexamination proceedings, i.e., those filed prior to the determination ([37 CFR 1.515](#)) and order to reexamine ([37 CFR 1.525](#)), will be returned by the Central Reexamination Unit (CRU) or Technology Center (TC) Director as premature. Petitions to stay filed subsequent to the date of the order for reexamination will be referred to OPLA for decision. All decisions on the merits of petitions to stay a reexamination proceeding because of an interference will be made in OPLA.

VI. ACTION IN INTERFERENCE FOLLOWING REEXAMINATION

If one or more claims of a patent which is involved in an interference are canceled or amended by the issuance and publication of a reexamination certificate, the Board must be promptly notified.

Upon issuance and publication of the reexamination certificate, the patent owner must notify the administrative patent judge thereof.

2285 Copending *Ex Parte* Reexamination and Reissue Proceedings [R-07.2015]

37 CFR 1.565 Concurrent office proceedings which include an ex parte reexamination proceeding.

(d) If a reissue application and an *ex parte* reexamination proceeding on which an order pursuant to [§ 1.525](#) has been mailed are pending concurrently on a patent, a decision will usually be made to merge the two proceedings or to suspend one of the two proceedings. Where merger of a reissue application and an *ex parte* reexamination proceeding is ordered, the merged examination will be conducted in accordance with [§§ 1.171](#) through [1.179](#), and the patent owner will be required to place and maintain the same claims in the reissue application and the *ex parte* reexamination proceeding during the pendency of the merged proceeding. The examiner's actions and responses by the patent owner in a merged proceeding will apply to both the reissue application and the *ex parte* reexamination proceeding and will be physically entered into both files. Any *ex parte* reexamination proceeding merged with a reissue application shall be concluded by the grant of the reissued patent. For merger of a reissue application and an *inter partes* reexamination, see [§ 1.991](#).

The general policy of the Office is that a reissue application examination and an *ex parte* reexamination proceeding will not be conducted separately at the same time as to a particular patent. The reason for this policy is to permit timely resolution of both proceedings to the extent possible and to prevent inconsistent, and possibly conflicting, amendments from being introduced into the two proceedings on behalf of the patent owner. Accordingly, if both a reissue application and an *ex parte* reexamination proceeding are pending concurrently on a patent, a decision will normally be made (A) to merge the two proceedings or (B) to stay one of the two proceedings. See *In re Onda*, 229 USPQ 235 (Comm'r Pat. 1985). The decision as to whether the proceedings are to be merged, or which proceeding (if any) is to be stayed is made in the Office of Patent Legal Administration (OPLA).

Where a reissue application and a reexamination proceeding are pending concurrently on a patent, the patent owner, i.e., the reissue applicant, has a responsibility to notify the Office of such. [37 CFR 1.178\(b\)](#), [1.565\(a\)](#), and [1.985](#). The patent owner

should file in the reissue application, as early as possible, a Notification of Concurrent Proceedings pursuant to [37 CFR 1.178\(b\)](#) in order to notify the Office in the reissue application of the existence of the reexamination proceeding on the same patent. See [MPEP § 1418](#). In addition, the patent owner should file in the reexamination proceeding, as early as possible, a Notification of Concurrent Proceedings pursuant to [37 CFR 1.565\(a\)](#) or [1.985](#) (depending on whether the reexamination proceeding is an *ex parte* reexamination proceeding or an *inter partes* reexamination proceeding) to notify the Office in the reexamination proceeding of the existence of the two concurrent proceedings.

I. TIME FOR MAKING DECISION ON MERGING OR STAYING THE PROCEEDINGS

A decision whether or not to merge the reissue application examination and the *ex parte* reexamination proceeding, or to stay one of the two proceedings, will not be made prior to the mailing of an order to reexamine the patent pursuant to [37 CFR 1.525](#), and the expiration of the statement-reply period following the order to reexamine. Until such time, the examination of the reissue application will proceed. A determination on the request must not be delayed because of the existence of a copending reissue application, since [35 U.S.C. 304](#) and [37 CFR 1.515](#) require a determination within 3 months following the filing date of the request. See [MPEP § 2241](#). If the decision on the request denies reexamination ([MPEP § 2247](#)), the examination of the reissue application should be continued. If reexamination is ordered ([MPEP § 2246](#)), the Central Reexamination Unit (CRU) Supervisory Patent Reexamination Specialist (SPRS) or Technology Center Quality Assurance Specialist (QAS) will await the filing of any statement under [37 CFR 1.530](#) and any reply under [37 CFR 1.535](#), or the expiration of the time for same (see [MPEP § 2249](#) to [§ 2251](#)). Thereafter, CRU SPRS or TC QAS should promptly notify OPLA that the proceedings are ready for consideration of merger. If any of the reexamination file, the reissue application, and the patent file are paper files, they should be hand delivered to OPLA at the time of the notification to OPLA.

If a reissue application is filed during the pendency of a reexamination proceeding, OPLA should be

notified as promptly as possible after the reissue application reaches the TC, that the proceedings are ready for consideration of merger. If any of the reexamination file, the reissue application, and the patent file are paper files, they should be hand delivered to the OPLA at the time of the notification to OPLA.

The decision on whether or not the proceedings are to be merged, or which proceeding (if any) is to be stayed, will generally be made as promptly as possible after receipt of the notification to OPLA and, if applicable, delivery of all the paper files to OPLA. Until a decision is mailed merging the proceedings or staying one of the proceedings, the two proceedings will continue and be conducted simultaneously, but separately.

The Office may in certain situations issue a certificate at the termination of a reexamination prosecution, even if a copending reissue application or another reexamination request has already been filed.

II. CONSIDERATIONS IN DECIDING WHETHER TO MERGE THE PROCEEDINGS OR WHETHER TO STAY A PROCEEDING

The decision on whether to merge the proceedings or stay a proceeding will be made on a case-by-case basis based upon the status of the various proceedings. The decision to merge, or not to merge, is within the sole discretion of the Office to facilitate/carry out the orderly operation of the Office in addressing the proceedings. The status of the reissue application and the reexamination proceeding will be taken into account in the decision as to whether merger will be ordered, or one of the two proceedings stayed.

A. *Reissue About To Issue, Reexamination Requested*

If the reissue patent will issue before the determination on the reexamination request must be made (e.g., within three months from the request's filing date), the determination on the request should normally be delayed until after the granting of the reissue patent; and then the determination should be made on the basis of the claims *in the reissue patent*. The reexamination, if ordered, would then be on the

reissue patent claims rather than the original patent claims. Since the reissue application would no longer be pending, the reexamination would be processed in a normal manner.

Where a reissue patent has been issued, the determination on the request for reexamination should specifically point out that the determination has been made on the claims of the reissue patent and not on the claims of the original patent. Any amendment made in the reexamination proceeding should treat the changes made by the reissue as the text of the patent, and all bracketing and underlining made with respect to the patent **as changed by the reissue**. Note that the reissue claims used as the starting point in the reexamination proceeding must be presented in the reexamination proceeding as a "clean copy." Thus, words bracketed in the reissue patent claim(s) would not appear at all in the reexamination clean copy of the claim(s). Also, words that were added via the reissue patent will appear in italics in the reissue patent, but must appear in plain format in the reexamination clean copy of the claim(s).

If a reissue patent issues on the patent under reexamination after reexamination is ordered, the next action from the examiner in the reexamination should point out that further proceedings in the reexamination will be based on the claims of the reissue patent and not on the patent surrendered. Form paragraph 22.05 may be used in the Office action.

¶ 22.05 Reexamination (Ex Parte or Inter Partes) Based on Reissue Claims

In view of the surrender of original Patent No. [1] and the granting of Reissue Patent No. [2] which issued on [3], all subsequent proceedings in this reexamination will be based on the reissue patent claims.

Where the reissue patent has issued prior to the filing of a request for reexamination of the parent patent, see [MPEP § 2258](#).

B. *Reissue Pending, Reexamination Request Filed*

Where a reissue patent will not be granted prior to the expiration of the 3-month period for making the determination on the reexamination request, a decision will be made as to whether the reissue

application and the reexamination proceeding are to be merged, or which of the two (if any) is to be stayed, after an order to reexamine has been issued.

The general policy of the Office is to merge the more narrow reexamination proceeding with the broader reissue application examination whenever it is desirable to do so in the interests of expediting the conduct of both proceedings. In making a decision on whether or not to merge the reissue application and the reexamination proceeding, consideration will be given to the status of the reissue application examination at the time the order for reexamination of the patent pursuant to [37 CFR 1.525](#) is mailed. For example, if examination of the reissue application has not begun, or if a rejection by the primary examiner has not been appealed to the Board pursuant to [37 CFR 41.31](#), it is likely that the OPLA will order a merger of the reissue application examination and the reexamination proceeding. If, however, the reissue application is on appeal to the Board or the courts, that fact would be considered in making a decision whether to merge the reissue application and the reexamination proceeding or stay one of them. See *In re Stoddard*, 213 USPQ 386 (Comm'r Pat. 1982); and *In re Scragg*, 215 USPQ 715 (Comm'r Pat. 1982).

If such a merger of the reissue application and the reexamination proceeding is ordered, the order merging them will also require that the patent owner place the same claims in the reissue application and in the reexamination proceeding for purposes of the merged proceedings. An amendment may be required to be filed to do this within a specified time set in the order merging the proceedings.

If the reissue application examination has progressed to a point where a merger of the two proceedings is not desirable at that time, then the reexamination proceeding will generally be stayed until the reissue application examination is complete on the issues then pending. After completion of the examination on the issues then pending in the reissue application examination, the stay of the reexamination proceeding will be removed and the proceedings will be merged if the reissue application is pending, or the reexamination proceeding will be conducted separately if the reissue application has become abandoned. The reissue application examination will

be reopened, if necessary, for merger of the reexamination proceeding therewith.

If the reissue application examination and the reexamination proceeding are merged, the issuance of the reissue patent will also serve as the certificate under [37 CFR 1.570](#) and the reissue patent will so indicate.

C. Reexamination Proceedings Underway, Reissue Application Filed

When a reissue application is filed after an *ex parte* reexamination request has been filed, OPLA should be notified as promptly as possible after the reissue application reaches the TC. A determination will be made as to whether reexamination should be ordered. If reexamination is ordered, no first Office action will accompany the decision ordering reexamination. The order and any of the files that are paper files should then be hand delivered to OPLA.

Where reexamination has already been ordered prior to the filing of a reissue application, OPLA should be notified as promptly as possible after the reissue application reaches the TC, that the proceedings are ready for consideration of merger. If any of the reexamination file, the reissue application, and the patent file are paper files, they should be hand delivered to the OPLA at the time of the notification to OPLA.

In making a decision on whether or not to merge the reissue application examination and the reexamination proceeding, consideration will be given as to whether issues are raised in the reissue application that would not be proper for consideration in reexamination. In addition, consideration will also be given to the status of the reexamination proceeding. For example, if the reexamination proceeding is on appeal to the Board or to the U.S. Court of Appeals for the Federal Circuit, or a Notice of Intent to Issue a Reexamination Certificate was issued for the reexamination, that fact would be considered in making a decision whether to merge the reissue application examination and the reexamination proceeding or stay one of them.

III. EXAMINER ASSIGNMENT

With respect to the appropriate examiner assignment of the merged reexamination/reissue proceeding, see [MPEP § 2236](#).

IV. CONDUCT OF MERGED REISSUE APPLICATION AND REEXAMINATION PROCEEDING

Where merger is ordered, the patent owner is required to maintain identical amendments in the reissue application and the reexamination file for purposes of the merged proceeding. The maintenance of identical amendments in both files is required as long as the reissue and reexamination proceedings remain merged. See [37 CFR 1.565\(d\)](#). Where identical amendments are not present in both files at the time merger is ordered, the patent owner will be required to submit an appropriate “housekeeping” amendment placing the same amendments in both proceedings. This may be accomplished by amending either of the two proceedings (the reissue application or the reexamination) or both of them, as appropriate. The patent owner must not address any issue of patentability in the housekeeping amendment. Amendments in a merged reexamination/reissue proceeding are submitted under [37 CFR 1.173](#), in accordance with reissue practice.

Where the merger decision indicates that an Office action will follow, the merged proceeding is returned to the examiner immediately after the decision to issue an Office action. Where the merger decision indicates that the patent owner is given one month to provide an amendment to make the claims the same in each file (identical amendments to be placed in all files), the CRU SPRS or TC QAS will retain jurisdiction over the merged reexamination proceeding to await submission of the amendment or the expiration of the time to submit the amendment. After the amendment is received and processed by the technical support staff or the time for submitting the amendment expires, the merged proceeding will be returned to the examiner to issue an Office action.

Once the proceeding is returned to the examiner for issuance of an Office action, the examiner should prepare an Office action at the most advanced point

possible for the first proceeding. Thus, if the first proceeding is ready for a final rejection and the second proceeding does not provide any new information which would call for a new ground of rejection, the examiner should issue a final rejection for the merged proceeding.

In the event that a “housekeeping” amendment to make the claims the same in each file is required by the merger decision (identical amendments to be placed in all files) but is not timely submitted, any claim that does not contain identical text in all of the merged proceedings should be rejected under [35 U.S.C. 112](#), second paragraph, as being indefinite as to the content of the claim, and thus failing to particularly point out the invention.

If a reissue application examination and a reexamination proceeding are merged, the merged examination will be conducted on the basis of the rules relating to the broader reissue application examination. Amendments should be submitted in accordance with the reissue practice under [37 CFR 1.121\(i\)](#) and [37 CFR 1.173](#); see [MPEP § 1453](#). The examiner, in examining the merged proceeding, will apply the reissue statute, rules, procedures, and case law to the merged proceeding. This is appropriate in view of the fact that the statutory provisions for reissue applications and reissue application examination include provisions equivalent to [35 U.S.C. 305](#) relating to the conduct of reexamination proceedings.

In any merged reissue application and reexamination proceeding, each Office action issued by the examiner will take the form of a single action which jointly applies to both the reissue application and the reexamination proceeding. Each action will contain identifying data for both the reissue application and the reexamination proceeding, and each action will be physically entered into both files, which will be maintained as separate files.

Any response by the applicant/patent owner in such a merged proceeding must consist of a single response, filed in duplicate for entry in both files (or provide multiple copies if there are multiple reexamination proceedings being merged with a reissue application), and service of a copy must be made on any third party reexamination requester. A

copy of all Office actions will be mailed to the third party reexamination requester but not to any other third party.

If the applicant/patent owner in such a merged proceeding fails to file a timely and appropriate response to any Office action, then the merger will be automatically dissolved (severed). The reissue application will be held abandoned. A NIRC will be issued (see [MPEP § 2287](#)), and the Director will proceed to issue a reexamination certificate under [37 CFR 1.570](#) in accordance with the last action of the Office, unless further action is clearly needed in view of the difference in rules relating to reexamination and reissue proceedings.

If the applicant/patent owner in a merged proceeding files an express abandonment of the reissue application pursuant to [37 CFR 1.138](#), the next Office action of the examiner will accept the express abandonment, dissolve the merged proceeding, and continue the reexamination proceeding. If the applicant/patent owner files a continued prosecution reissue application (a CPA) of a reissue design application under [37 CFR 1.53\(d\)](#), whereby the existing reissue design application is considered to be expressly abandoned, this will most likely result in the dissolution of the merged proceeding, a stay of the CPA reissue application, and separate, continued prosecution of the reexamination proceeding.

Where the merged proceeding is dissolved based on abandonment of the reissue application and the reexamination proceeding continues, any grounds of rejection which are not applicable under reexamination should be withdrawn (e.g., based on public use or on sale) and any new grounds of rejection which are applicable under reexamination (e.g., improper broadened claims) should be made by the examiner. The existence of any questions remaining which cannot be considered under reexamination following dissolution of the merged proceeding would be noted by the examiner as not being proper under reexamination pursuant to [37 CFR 1.552\(c\)](#).

Where the merged proceeding is dissolved based on abandonment of the reissue application and the reexamination proceeding continues, there is no

guarantee that any continuation reissue application will be merged with the reexamination proceeding (the continuation reissue application might be stayed pending conclusion of the reexamination). This policy is necessary to prevent the patent owner from filing reissue continuation applications to delay a decision by the Board on rejected claims.

If applicant/patent owner files a request for continued examination (RCE) of the reissue application under [37 CFR 1.114](#) (which may be filed on or after May 29, 2000 for an application filed on or after June 8, 1995), then the merger will be automatically dissolved (severed), and the reissue application will then be suspended. Patent owners are put on notice that, in such event, a request for continued examination (RCE) is not available in the reexamination proceeding, and any response to an Office action (e.g., response to a final rejection) in the reexamination proceeding must be made taking into account the non-availability of RCE practice. Any failure to timely respond would result in the termination of the prosecution pursuant to [37 CFR 1.550\(d\)](#).

V. PETITION TO MERGE REISSUE APPLICATION AND REEXAMINATION PROCEEDING OR TO STAY EITHER OF THE TWO BECAUSE OF THE EXISTENCE OF THE OTHER

No petition to merge the reissue application and the reexamination proceeding, or stay one of them, should be filed before an order granting reexamination is issued because the Office will generally, *sua sponte*, make a decision to merge the reissue application and the reexamination proceeding or stay one of them. If any petition to merge the reissue application and the reexamination proceeding, or to stay one of them because of the other, is filed prior to the determination ([37 CFR 1.515](#)) and order to reexamine ([37 CFR 1.525](#)), it will not be considered, but will be returned to the party submitting the same by the CRU or TC Director, regardless of whether the petition is filed in the reexamination proceeding, the reissue application, or both. This is necessary to prevent premature papers relating to the reexamination proceeding from being filed. The decision expunging such a premature petition will be made of record in

both the reexamination file and the reissue application file. See [MPEP § 2267](#).

The patent owner may file a petition under [37 CFR 1.182](#) to merge the reissue application and the reexamination proceeding, or stay one of them because of the other, at the time the patent owner's statement under [37 CFR 1.530](#) is filed or subsequent thereto in the event the Office has not acted prior to that date to merge or stay. The third party requester does not have a right to file a petition under [37 CFR 1.182](#) to merge a reexamination proceeding and a reissue application examination, since a reexamination third party requester does not have any standing to request relief with respect to a reissue application, to which requester cannot be a party. No such standing is provided for anywhere in the statute. Instead of filing a petition under [37 CFR 1.182](#) to merge a reexamination proceeding with a reissue application, a third party requester may file a notification of concurrent proceedings pursuant to [MPEP § 2282](#). After being notified of the existence of a reissue application and after consideration of the merger and suspension options becomes ripe, the Office of Patent Legal Administration (OPLA) would *sua sponte* consider the action to be taken. A petition to merge the reissue application and the reexamination proceeding, which is filed by a party other than the patent owner will not be considered, but will be returned to that party (or expunged if already entered) by the CRU or TC Director as being improper under [37 CFR 1.550\(g\)](#). The requester does have the right to file a petition under [37 CFR 1.182](#) to stay the reexamination proceeding that it requested.

All petitions to merge or stay which are filed by the patent owner or the third party requester subsequent to the date of the order for reexamination will be referred to OPLA for decision.

VI. FEES IN MERGED PROCEEDINGS

Where the proceedings have been merged and a paper is filed which requires payment of a fee (e.g., excess claim fee, extension of time fee, petition fee, appeal fee, brief fee, oral hearing fee), only a single fee need be paid. For example, only one fee need be paid for an appeal brief even though the brief relates to merged multiple proceedings and copies must be

filed for each file in the merged proceeding. As to excess claim fees, reissue practice will control.

2286 *Ex Parte* Reexamination and Litigation Proceedings [R-07.2015]

37 CFR 1.565 Concurrent office proceedings which include an ex parte reexamination proceeding.

(b) If a patent in the process of *ex parte* reexamination is or becomes involved in litigation, the Director shall determine whether or not to suspend the reexamination. See [§ 1.987](#) for *inter partes* reexamination proceedings.

[35 U.S.C. 302](#) permits a request for *ex parte* reexamination to be filed "at any time." Requests for *ex parte* reexamination are frequently filed where the patent for which reexamination is requested is involved in concurrent litigation. The guidelines set forth below will generally govern Office handling of *ex parte* reexamination requests where there is concurrent litigation in the federal courts.

I. COURT-ORDERED/ SANCTIONED REEXAMINATION PROCEEDING, LITIGATION STAYED FOR REEXAMINATION, OR EXTENDED PENDENCY OF REEXAMINATION PROCEEDING CONCURRENT WITH LITIGATION

Where a request for *ex parte* reexamination indicates (A) that it is filed as a result of an order by a court or an agreement by parties to litigation which agreement is sanctioned by a court, or (B) that litigation is stayed for the filing of a reexamination request, all aspects of the proceeding will be expedited to the extent possible. If reexamination is ordered, the examination following the statement by the patent owner under [37 CFR 1.530](#) and the reply by the requester under [37 CFR 1.535](#) will be expedited to the extent possible.

II. FEDERAL COURT DECISION KNOWN TO EXAMINER AT THE TIME THE DETERMINATION ON THE REQUEST FOR REEXAMINATION IS MADE

If a federal court decision *on the merits* of a patent is known to the examiner at the time the determination on the request for *ex parte* reexamination is made, the following guidelines will

be followed by the examiner, whether or not the person who filed the request was a party to the litigation. When the initial question as to whether the prior art raises a substantial new question of patentability as to a patent claim is under consideration, the existence of a final court decision of claim *validity* in view of the same or different prior art does not necessarily mean that no new question is present. This is true because of the different standards of proof and claim interpretation employed by the district courts and the Office. See for example *In re Zletz*, 893 F.2d 319, 322, 13 USPQ2d 1320, 1322 (Fed. Cir. 1989) (manner of claim interpretation that is used by courts in litigation is not the manner of claim interpretation that is applicable during prosecution of a pending application before the PTO) and *In re Etter*, 756 F.2d 852, 225 USPQ 1 (Fed. Cir. 1985) (the [35 U.S.C. 282](#) presumption of patent validity has no application in reexamination proceedings). Thus, while the Office may accord deference to factual findings made by the court, the determination of whether a substantial new question of patentability exists will be made independently of the court's decision on validity as it is not controlling on the Office. See *In re Swanson et al.*, 540 F.3d 1368, 1378 (Fed. Cir. 2008), where the Federal Circuit approved of the Office's interpretation in [MPEP § 2242](#). A *non-final* holding of claim *invalidity* or *unenforceability* will not be controlling on the question of whether a substantial new question of patentability is present. A final holding of claim *invalidity* or *unenforceability* (after all appeals), however, is controlling on the Office. In such cases, a substantial new question of patentability would *not* be present as to the claims held *invalid* or *unenforceable*. See *Ethicon v. Quigg*, 849 F.2d 1422, 7 USPQ2d 1152 (Fed. Cir. 1988).

Note the following Federal Circuit decisions involving reexamination proceedings where the court affirmed the Office's rejections even though parallel district court proceeding upheld the claims as valid and infringed. *In re Trans Texas Holdings Corp.*, 498 F.3d 1290, 83 USPQ2d 1835 (Fed. Cir. 2007), *In re Translogic Technology, Inc.*, 504 F.3d 1249, 84 USPQ2d 1929 (Fed. Cir. 2007), *In re Swanson et al.*, 540 F.3d 1368, 88 USPQ 2d 1196 (Fed. Cir. 2008) and *In re Baxter International Inc.*, 678 F.3d 1357, 102 USPQ2d 1925 (Fed. Cir. 2012).

In *Trans Texas*, the patent being reexamined was subject to an infringement suit, in which the district court had issued its claim construction ruling (in a district court opinion) as to the definition of a term. The parties ultimately reached a settlement before trial, and the district court issued an "Order of Dismissal with Prejudice." The patent owner relied on that district court claim construction ruling in a reexamination proceeding, and argued that the Office was bound by that district court claim construction ruling, under the doctrine of issue preclusion. The Federal Circuit stated that issue preclusion could not be applied against the Office based on a district court holding in an infringement proceeding, since the Office was not a party to that earlier infringement proceeding.

In *Translogic*, a district court infringement suit proceeded in parallel with a reexamination proceeding. The district court upheld the validity of the patent in the infringement suit, while the reexamination examiner found the claim combination to be obvious. The examiner's rejection was affirmed by the Board. The defendant (the alleged infringer) of the infringement suit appealed the district court decision to the Federal Circuit, while the patent owner appealed the Board's decision to the Federal Circuit. The Federal Circuit consolidated the appeals, and then addressed only the patent owner's reexamination appeal from the Board. The Federal Circuit affirmed the examiner's conclusion of obviousness by relying upon and providing an extensive discussion of *KSR International Co. v. Teleflex Inc.*, 550 U.S. 398, 82 USPQ2d 1385 (2007).

Note also *In re Swanson et al.*, 540 F.3d 1368, 88 USPQ 2d 1196 (Fed. Cir. 2008) where the Federal Circuit held that the prior federal court judgment upholding validity over a specific prior art reference (in *Abbott Labs. v. Syntron Bioresearch, Inc.*, 334 F.3d 1343 (Fed. Cir. 2003)), did not preclude the Office's finding that a substantial new question of patentability existed as to the same claims based on the *same prior art reference applied in the same manner* in the subsequent *ex parte* reexamination proceeding, and did not preclude the Office's finding that the patent claims were unpatentable.

Finally, see *In re Baxter International Inc.*, 678 F.3d 1357, 102 USPQ2d 1925 (Fed. Cir. 2012)(patent

reexamination should take notice of a court decision but the Office need not come to the same conclusion as the court).

Any determination on a request for reexamination which the examiner makes after a federal court decision must be reviewed by the Central Reexamination Unit (CRU) Supervisory Patent Reexamination Specialist (SPRS) to ensure that it conforms to the current Office litigation policy and guidelines. See [MPEP § 2240](#).

For a discussion of the policy in specific situations where a federal court decision has been issued, see [MPEP § 2242](#).

III. REEXAMINATION WITH CONCURRENT LITIGATION BUT ORDERED PRIOR TO FEDERAL COURT DECISION

In view of the statutory mandate to make the determination on the request within 3 months, the determination on the request based on the record before the examiner will be made without awaiting a decision by the federal court. It is not realistic to attempt to determine what issues will be treated by the federal court prior to the court decision. Accordingly, the determination on the request will be made without considering the issues allegedly before the court. If an *ex parte* reexamination is ordered, the reexamination will continue until the Office becomes aware that a court decision has issued. At such time, the request will be reviewed in accordance with the guidelines set forth below. The patent owner is required by [37 CFR 1.565\(a\)](#) to call the attention of the Office to any prior or concurrent proceeding in which the patent is involved or was involved. Thus, the patent owner has an obligation to promptly notify the Office that a decision has been issued in the federal court.

IV. FEDERAL COURT DECISION ISSUES AFTER EX PARTE REEXAMINATION ORDERED

Pursuant to [37 CFR 1.565\(a\)](#), the patent owner in an *ex parte* reexamination proceeding must promptly notify the Office of any federal court decision involving the patent. Where the reexamination proceeding is currently pending and the court decision issues, or the Office becomes aware of a

court decision relating to a pending reexamination proceeding, the order to reexamine is reviewed to see if a substantial new question of patentability is still present. If no substantial new question of patentability is still present, the reexamination is terminated by the CRU or TC Director.

A *non-final* federal court decision concerning a patent under reexamination shall have no binding effect on a reexamination proceeding.

The issuance of a *final* federal court decision upholding validity during an *ex parte* reexamination also will have no binding effect on the examination of the reexamination. This is because the court states in *Ethicon v. Quigg*, 849 F.2d 1422, 1428, 7 USPQ2d 1152, 1157 (Fed. Cir. 1988) that the Office is *not* bound by a court's holding of patent *validity* and should continue the reexamination. The court notes that district courts and the Office use different standards of proof in determining invalidity, and thus, on the same evidence, could quite correctly come to different conclusions. Specifically, invalidity in a district court must be shown by "clear and convincing" evidence, whereas in the Office, it is sufficient to show nonpatentability by a "preponderance of evidence." Since the "clear and convincing" standard is harder to satisfy than the "preponderance" standard, deference will ordinarily be accorded to the factual findings of the court where the evidence before the Office and the court is the same. If sufficient reasons are present, claims held valid by the court may be rejected in reexamination.

On the other hand, a *final* federal court holding of invalidity or unenforceability (after all appeals), is binding on the Office. Upon the issuance of a final holding of invalidity or unenforceability, the claims being examined which are held invalid or unenforceable will be withdrawn from consideration in the reexamination. The reexamination will continue as to any remaining claims being examined. Thus, the reexamination will continue if any original, new, or amended claim being examined that was not found invalid or unenforceable by the court. If all of the claims being examined in the reexamination proceeding are finally held invalid or unenforceable, the reexamination will be vacated by the CRU or TC Director if the decision was rendered prior to the order, or terminated by the CRU or TC Director as

no longer containing a substantial new question of patentability if the decision was rendered subsequent to the order, and the reexamination will be concluded. If not all claims being examined were held invalid (or unenforceable), a substantial new question of patentability may still exist as to the remaining claims. In such a situation, the remaining claims would be examined; and, as to the claims held invalid/unenforceable, form paragraph 22.20 should be used at the beginning of the Office action.

¶ 22.20 Claims Held Invalid By Court, No Longer Being Reexamined

Claims [1] of the [2] patent are not being reexamined in view of the final decision of [3]. Claim(s) [1] was/were held invalid/unenforceable by the [4].

Examiner Note:

1. In bracket 1, insert the claim(s) held invalid.
2. In bracket 2, insert the patentee (e.g., Rosenthal, J. Doe et al).
3. In bracket 3, insert the decision (e.g., *ABC Corp. v. Smith*, 888 F. 3d 88, 999 USPQ2d 99 (Fed. Cir. 1999) or *XYZ Corp. v. Jones*, 888 F. Supp. 2d 88, 999 USPQ2d 1024 (N.D. Cal. 1999)).
4. In bracket 4, insert the name of the court (e.g., the Court of Appeals for the Federal Circuit, or the Federal District Court).

V. LITIGATION REVIEW AND APPROVAL

In order to ensure that the Office is aware of prior or concurrent litigation, the examiner is responsible for conducting a reasonable investigation for evidence as to whether the patent for which *ex parte* reexamination is requested has been or is involved in litigation. The investigation will include a review of the reexamination file, the patent file, and the results of the litigation computer search.

If the examiner discovers, *at any time* during the reexamination proceeding, that there is litigation or that there has been a federal court decision on the patent, the fact will be brought to the attention of the CRU SPRS or Technology Center (TC) Quality Assurance Specialist (QAS) prior to any further action by the examiner. The CRU SPRS or TC QAS must review any action taken by the examiner in such circumstances to ensure current Office litigation policy is being followed.

VI. FEDERAL COURT DECISION CONTROLLING IN REEXAMINATION PROCEEDING

Once a federal court has ruled upon the merits of a patent and an *ex parte* reexamination is still appropriate under the guidelines set forth above, the federal court decision will be considered controlling and will be followed as to claims finally held to be invalid by the court.

2286.01 Reexamination and *Inter Partes* Review Proceedings, Post-Grant Review, and Covered Business Method Patent Review [R-07.2015]

The Leahy-Smith America Invents Act amended [35 U.S.C. 315\(d\)](#) and added [35 U.S.C. 325\(d\)](#) to provide that, during the pendency of an *inter partes* review, post grant review or covered business method review ("PTAB Review Proceeding"), if another proceeding (e.g., an *ex parte* reexamination proceeding) or matter involving the patent is before the Office, the Director may determine the manner in which the PTAB Review Proceeding and the other proceeding or matter may proceed, including providing for stay, transfer, consolidation, or termination of such matter or proceeding. If an examiner becomes aware of a PTAB Review Proceeding for the same patent that is being reexamined, the *ex parte* reexamination proceeding must be referred to the examiner's SPRS. The SPRS will coordinate with the PTAB before taking any action on the reexamination proceeding.

The existence of a PTAB Review Proceeding does not change the fact that any reexamination request must, by statute, be decided (a grant or a denial) within three months of its filing date.

2287 Conclusion of *Ex Parte* Reexamination Proceeding [R-08.2017]

Upon conclusion of the *ex parte* reexamination proceeding, the examiner must prepare a "Notice of Intent to Issue *Ex Parte* Reexamination Certificate" (NIRC) by completing form PTOL-469. If appropriate, an examiner's amendment will also be prepared. Where claims are found patentable, reasons must be given for each claim found patentable.

See the discussion as to preparation of an examiner's amendment and reasons for allowance at the end of this section. In addition, the examiner must prepare the reexamination file so that the Office of Data Management can prepare and issue a certificate in accordance with [35 U.S.C. 307](#) and [37 CFR 1.570](#) setting forth the results of the reexamination proceeding and the content of the patent following the proceeding. See [MPEP § 2288](#).

The examiner will so inform the examiner's Central Reexamination Unit (CRU) Supervisory Patent Reexamination Specialist (SPRS) or Technology Center (TC) Quality Assurance Specialist (QAS) of the conclusion of the reexamination proceeding. The CRU SPRS/TC QAS will convene a panel review conference (see [MPEP § 2271.01](#)), and the conference members will review the patentability of the claim(s). If the conference confirms the examiner's decision, a NIRC shall be issued and signed by the examiner, with the two, or more, other conferees initialing the NIRC (as "conferee") to indicate their participation in the conference. All conferees will initial, even though one of them may have dissented from the conference decision on the patentability of the claim(s). If the conference does not confirm the patentability of the claim(s), the examiner will reevaluate and issue an appropriate Office action rejecting the claim(s), not confirmed as patentable.

A panel review conference is not to be held as to any claim that was in the case (proceeding) at the time the case was reviewed by the Board or a federal court. The following example will serve to illustrate this point. In a reexamination proceeding, claims 5-10 are allowed by the examiner, and claims 1-4 are rejected. The rejection of claims 1-4 is then appealed to the Board. The Board reverses the rejection of claims 1-4 and imposes a new ground of rejection of claims 1-4 under [37 CFR 41.50\(b\)](#). The patent owner then elects further prosecution before the examiner pursuant to [37 CFR 41.50\(b\)\(1\)](#) and submits an amended set of claims 1-4. The examiner finds amended claims 1-4 to be allowable and wishes to "allow" the entire case by issuing a NIRC. A panel review conference must be held at this stage of the proceeding. The conferees will review the allowance of amended claims 1-4. The conferees will not, however, review the allowance

of claims 5-10, because claims 5-10 were in the case, and before the Board at the time the Board decided the appeal.

A panel review conference is not to be held where the proceeding is to be concluded by the cancellation of all claims. No panel review conference is needed in this instance, as the issuance of the NIRC is essentially ministerial.

Thus, a panel review conference **must** be held in each instance where a NIRC is about to be issued, unless the NIRC is being issued: (A) following and consistent with a decision by the Board (or court) on the merits of the proceeding; or (B) as a consequence of the patent owner's failure to respond or take other action where such a response or action is necessary to maintain pendency of the proceeding and, as a result of which failure to respond, all of the claims will be canceled.

A NIRC informs the patent owner and any third party requester that the reexamination prosecution has been terminated. The rules do not provide for an amendment to be filed in a reexamination proceeding after prosecution has been terminated. The provisions of [37 CFR 1.312](#) do *not* apply in reexamination. Any amendment, information disclosure statement, or other paper related to the merits of the reexamination proceeding filed after prosecution has been terminated must be accompanied by a petition under [37 CFR 1.182](#) to have the amendment, information disclosure statement, or other paper considered.

If all of the claims are disclaimed in a patent under reexamination, a certificate under [37 CFR 1.570](#) will be issued indicating that fact.

I. PREPARATION OF THE CASE FOR PUBLICATION

In preparing the reexamination file for publication of the certificate, the examiner must review the reexamination and patent files (IFW and paper files) to be sure that all the appropriate parts are completed. The review should include completion of the following items:

(A) The IFW file wrapper Search Notes form — The “SEARCHED” and the “SEARCH NOTES” boxes are to be filled in with the classes and subclasses that were actually searched and other areas consulted. See [MPEP § 719.05](#).

(B) The IFW file jacket form — Check to be sure that the necessary data is included thereon, such as the certificate number, e.g., “C1” or “C2”. The “Litigation Review” and “Copending Office Proceedings” boxes should be completed to ensure that the Office is aware of prior or concurrent litigation and Office proceedings.

(C) The Bibliographic Data Sheet — Check to be sure that the data included thereon is correct and the blank spaces have been initialed.

(D) The Issue Classification IFW form — The form must be completed to set forth the status of each claim and the final claim numbers. The appropriate information must be included in the “Issue Classification” boxes. The examiner should enter the classification in the Issue Classification boxes that corresponds to the current classification of the patent and any additional classification based on newly claimed subject matter. See [MPEP § 903.07](#). The current classification of the patent may be found by viewing the patent in the EAST or WEST automated search tools. See [MPEP § 902.03\(e\)](#). Completion of the Issue Classification boxes is required, even if all of the claims are canceled.

An appropriate drawing figure is to be indicated for printing on the certificate cover sheet and in the *Official Gazette*. In addition, a representative claim which has been reexamined is to be indicated for publication in the *Official Gazette*. The claim or claims for the *Official Gazette* should be selected in accordance with the following instructions:

(A) The broadest claim should be selected;

(B) Examiners should ordinarily designate but one claim on each invention, although when a plurality of inventions are claimed in one application, additional claims up to a maximum of five may be designated for publication. In the case of reexamination, the examiner must select only one claim;

(C) A dependent claim should not be selected unless the independent claim from which it depends is also printed. In the case where a multiple

dependent claim is selected, the entire chain of claims for one embodiment should be listed. In the case of reexamination, a dependent patent claim may be selected where the independent original patent claim has been canceled; in such a case, the dependent claim would be printed while the independent claim would not be printed; and

(D) In reissue applications, the broadest claim with changes or the broadest additional reissue claim should be selected for printing.

When recording this information in the box provided, the following items should be kept in mind:

(A) Enter the claim number clearly;

(B) If multiple claims are selected, the claim numbers should be separated by commas; and

(C) The claim designated must be referred to by using the renumbered patent claim number rather than the original claim number if different.

If the patent owner desires the names of the attorneys or agents, or law firm, to be printed on the certificate, a separate paper limited to this issue which lists the names and positively states that they should be printed on the certificate must be filed. A mere power of attorney or change of address is not a request that the name appear on the certificate.

The examiner must also complete a checklist, form PTO-1516, for the reexamination file which will be forwarded to the Office of Data Management identifying information used in printing the reexamination certificate. A copy of this form may be obtained from the CRU SPRS or TC QAS or their support staff.

The examiner should inspect the title report, or patent abstract of title, in the file. If the title report, or patent abstract of title, indicates a title in the inventors, but the patent copy shows an assignment to an assignee, a telephone call can be made to the patent owner, and the patent owner can be asked to submit a statement under [37 CFR 3.73](#) indicating that title is in the assignee (i.e., it has not reverted back to the inventors). If communication could not be made via telephone, the examiner could also use email (if authorized by the patent owner) to contact the patent owner. See [MPEP § 320](#).

After the examiner has prepared the NIRC and attachments for mailing, completed the review and preparation of the case as discussed above, and completed the Examiner Checklist form PTOL-1516, the reexamination and patent files will be given to the CRU support staff. The CRU support staff will complete the Reexamination Clerk Checklist form PTO-1517. The CRU support staff will revise and update the files. The clerk should check to see if any changes in especially:

- (A) the title;
- (B) the inventor;
- (C) the assignee;
- (D) the continuing data;
- (E) the foreign priority;
- (F) the address of the owner's attorney; and
- (G) the requester's address

have been properly entered in the reexamination and patent files (in the file history of an IFW file and on the face of a paper file) and properly entered in the PALM database. After the clerk has finished the processing, the clerk will forward the reexamination proceeding to the CRU SPRS or TC QAS for review. After approval by the CRU SPRS or TC QAS, the CRU support staff will process the NIRC with attachments for mailing.

II. REEXAMINATION PROCEEDINGS IN WHICH ALL THE CLAIMS ARE CANCELED

There will be instances where all claims in the reexamination proceeding are to be canceled, and a NIRC will be issued indicating that fact. This would occur where the patent owner fails to timely respond to an Office action, and all live claims in the reexamination proceeding are under rejection. It would also occur where all live claims in the reexamination proceeding are to be canceled as a result of a Board decision affirming the examiner, and the time for appeal to the court and for requesting reconsideration or modification has expired.

Prior to canceling the claims and issuing the NIRC, the examiner should telephone the patent owner to inquire if a timely response, timely appeal, etc., was

filed with the Office so as to make certain that a timely response has not been misdirected within the Office. If communication could not be made via telephone, the examiner could also use email (if authorized by the patent owner) to contact the patent owner. Where the patent owner indicates that no such filing was made, or where the patent owner cannot be reached, the examiner will proceed to issue a NIRC terminating prosecution.

A panel review conference is not to be held, because the proceeding is to be concluded by the cancellation of all claims. Rather, the examiner will issue a NIRC action, and as an attachment to the NIRC, the examiner will draft an examiner's amendment canceling all live claims in the reexamination proceeding. In the examiner's amendment, the examiner should point out why the claims have been canceled. For example, the examiner might make one of the two following statements, as appropriate:

"Claims 1-5 and 6-8 (all live claims in the proceeding) were subject to rejection in the last Office action mailed 9/9/99. Patent owner failed to timely respond to that Office action. Accordingly claims 1-5 and 6-8 have been canceled. See [37 CFR 1.550\(d\)](#) and [MPEP § 2266.](#)"

"The rejection of claims 1-5 and 6-8 (all live claims in the proceeding) has been affirmed in the Board decision of 9/9/99, and no timely appeal to the court has been filed. Accordingly claims 1-5 and 6-8 have been canceled."

If the patent owner was contacted and indicated that there was no timely filing (as discussed above), the attachment to the NIRC will make the telephone interview of record.

The examiner will designate a cancelled original patent claim, to be printed in the *Official Gazette*, on the Issue Classification IFW form in the appropriate place for the claim chosen.

III. HANDLING OF MULTIPLE DEPENDENT CLAIMS

The following discussion provides guidance on how to treat multiple dependent claims when preparing

a reexamination proceeding for publication of the reexamination certificate.

Assume Patent X issues with the following claims:

Patent claims:

1. A method of sintering a particulate ceramic preform, comprising heating it above 500 degrees F, cooling it to 100 degrees F, and repeating the heating and cooling steps six times.
2. The method of claim 1, where a pressure of 300 - 400 psi is applied during the heating steps.
3. The method of claim 1 or claim 2, where the pressure applied during the heating steps is 350 - 375 psi.
4. The method of claim 3, where the pressure applied during the heating steps is 360 - 365 psi.
5. The method of claim 1, where the preform contains lithium and magnesium oxides.
6. The method of claim 5, where the preform contains sodium fluoride.
7. The method of claim 1 or claim 5, where the sintered preform is machined into a lens.

A reexamination request is then filed for Patent X, and at the point when the claims are ready for issuance of the certificate, the following claims are present in the reexamination file.

In reexamination:

1. (Text Unchanged) A method of sintering a particulate ceramic preform, comprising heating it above 500 degrees F, cooling it to 100 degrees F, and repeating the heating and cooling steps six times.
2. (Amended) The method of claim 1 or claim 8, where a pressure of 300 - 400 psi is applied during the heating steps.
3. (Amended) The method of [claim 1 or] claim 2, where the pressure applied during the heating steps is 350 - 375 psi.
4. (Amended) The method of claim 3 or claim 8, where the pressure applied during the heating steps is 355[360] - 365 psi.

5. (Text Unchanged) The method of claim 1, where the preform contains lithium and magnesium oxides.

6. (Amended) The method of claim 8[5], where the preform contains sodium fluoride.

7. (Text Unchanged) The method of claim 1 or claim 5, where the sintered preform is machined into a lens.

8. (New) A method of sintering a particulate fluoride ceramic preform comprising heating it above 500 degrees F, cooling it to 100 degrees F, and repeating the heating and cooling steps six times.

The status of the claims would be set forth as follows:

Part 1(h) of the Notice of Intent to Issue *Ex Parte* Reexamination Certificate Form PTOL-469 (NIRC) would be completed as follows.

Patent claims confirmed: 1, 2/1, 5, 7

Patent claims amended: 3, 4/3

Patent claims canceled: 3/1, 6/5

New claims patentable: 2/8, 4/8, 6/8, 8

The parts of the Examiner's checklist (Form PTO-1516) directed to the status of the claims would be completed as follows.

7. Patent claims confirmed: 1, 5, 7

11. Patent claims canceled: None

12. Patent claims amended: 2, 3, 4 and 6

13. Patent claims dependent on amended: None

14. New claims patentable: 8

Looking at claim 2:

For the purpose of the NIRC, the addition of a claim of the multiple dependency is viewed as adding a new claim for which protection is now to be provided. Thus, prior to reexamination, only the subject matter of claim 2/1 was protected. As a result

of reexamination, claim 2/8 has been added, and its subject matter is now protected. Thus, claim 2/8 is designated as a new claim. Claim 2/1 has not changed as to its content and its scope of protection, and is designated as a confirmed claim.

For the purpose of the Examiner's checklist, the addition or deletion of a claim of the multiple dependency is viewed simply as amending the claim, because of the way claims are printed on the certificate. Thus, claim 2 is designated as an amended claim and is simply printed on the certificate in its amended form as:

2. The method of claim 1 or claim 8, where the sintered preform is machined into a lens.

Looking at claim 3:

For the purpose of the NIRC, the deletion of a claim of the multiple dependency is viewed as canceling the claim deleted, and protection is no longer provided for the claim as dependent from the deleted claim. Thus, prior to reexamination, the subject matter of claims 3/1 and 3/2 was protected. As a result of reexamination, claim 3/1 has been deleted, and its subject matter is no longer protected. Thus, claim 3/1 is designated as a canceled claim. Claim 3/2 has not changed as to its content and its scope of protection, and is designated as a confirmed claim.

For the purpose of the Examiner's checklist, the addition or deletion of a claim of the multiple dependency is viewed simply as amending the claim, because of the way claims are printed on the certificate. Thus, claim 3 is designated as an amended claim and is simply printed on the certificate in its amended form as:

3. The method of [claim 1 or] claim 2, where the pressure applied during the heating steps is 350 - 375 psi.

Looking at claim 4:

For the purpose of the NIRC, the addition of a claim of the multiple dependency is viewed as adding a new claim for which protection is now to be provided. Thus, prior to reexamination, only the subject matter of claim 4/3 was protected. As a result

of reexamination, claim 4/8 has been added, and its subject matter is now protected. Thus, claim 4/8 is designated as a new claim. Claim 4/3 has changed as to its content and its scope of protection due to the expanding of the pressure range from 360 - 365 psi to 355 - 365 psi, and claim 4/3 is designated as an amended claim.

For the purpose of the Examiner's checklist, the addition or deletion of a claim of the multiple dependency is viewed simply as amending the claim, because of the way claims are printed on the certificate. Thus, claim 4 is designated as an amended claim and simply printed on the certificate in its amended form as:

4. (Amended) The method of claim 3 or claim 8, where the pressure applied during the heating steps is 355 [360] - 365 psi.

Looking at claim 6:

For the purpose of the NIRC, prior to reexamination, the subject matter of claim 6/5 was protected and claim 6/8 did not exist. As a result of reexamination, claim 6/5 has been deleted and claim 6/8 has been added. Thus, claim 6/5 is designated as a canceled claim, and claim 6/8 is designated as a new claim.

For the Examiner's checklist, claim 6 is designated as an amended claim and is simply printed on the certificate in its amended form as:

6. (Amended) The method of claim 8 [5], where the preform contains sodium fluoride.

Looking at claim 7:

It is unchanged as to its text. Claim 7 remains dependent on claim 1 or claim 5, as it did prior to reexamination. Thus, both claims 7/1 and 7/5 are confirmed. Claims 7/1 and 7/5 are listed in the "Confirmed" part of the NIRC. They are not listed separately, but rather simply as "7." This is because the entirety of claim 7 has been confirmed.

As to the Examiner's checklist, claim 7, being unchanged as to its text and not being dependent on an amended claim, is simply listed in the

“Confirmed” part of the checklist. Claim 7 will not be printed on the certificate, but will simply be listed as one of the confirmed claims.

IV. REEXAMINATION REMINDERS

The following items deserve special attention. The examiner should ensure they have been correctly completed or followed before forwarding for processing of the NIRC.

(A) All patent claims for which a substantial new question of patentability has been found must have been examined. See [MPEP § 2243](#).

(B) No renumbering of patent claims is permitted. New claims may require renumbering. See [MPEP § 2250](#).

(C) All amendments to the description and claims must conform to requirements of [37 CFR 1.530\(d\)-\(j\)](#). This includes any changes made by Examiner’s Amendment. If a portion of the text is amended more than once, each amendment should indicate all of the changes (insertions and deletions) in relation to the current text in the patent under reexamination. See [MPEP § 2250](#).

(D) The prior art must be listed on a form PTO 892, PTO/SB/08A or 08B, or PTO/SB/42 (or on a form having a format equivalent to one of these forms). These forms must be properly completed. See [MPEP § 2257](#).

(E) The examiner and reexamination clerk checklists PTO-1516 and PTO-1517 must be *entirely* and *properly* completed. A careful reading of the instructions contained in these checklists is essential. The clerical checklist is designed as a check and review of the examiner’s responses on the examiner checklist. Accordingly, the CRU support staff should personally review the file before completing an item. The CRU support staff should check to make certain that the responses to all related items on both checklists are in agreement.

(F) Multiple pending reexamination proceedings are often merged. See [MPEP § 2283](#).

(G) Where the reexamination proceeding is copending with an application for reissue of the patent being reexamined, the files must have been forwarded to the Office of Patent Legal Administration (OPLA) for a consideration of

potential merger, with a decision (by a Senior Legal Advisor) on the question being present in the reexamination file. See [MPEP § 2285](#).

(H) Reasons for patentability and/or confirmation are required for each claim found patentable. See below.

(I) There is no issue fee in reexamination. See [MPEP § 2233](#).

(J) The patent claims may not be amended nor new claims added after expiration of the patent. See [MPEP § 2250](#).

(K) Original drawings cannot be physically changed. “Amended” or “New” figures must be appropriately labeled as such and presented on new sheets in compliance with [37 CFR 1.84](#). See [37 CFR 1.530\(d\)\(3\)](#) and [MPEP § 2250.01](#).

(L) An amended or new claim may not enlarge the scope of the patent claims. See [MPEP § 2250](#).

(M) If the patent has expired, all amendments to the patent claims and all claims added during the proceeding must be withdrawn. Further, all presently rejected and objected-to claims are canceled by examiner’s amendment. See [MPEP § 2250](#), subsection III, Amendment after the Patent Has Expired.

V. EXAMINER’S AMENDMENT

Where it is necessary to amend the patent in order to place the proceeding in condition to issuance of a reexamination certificate, the examiner may request that the patent owner provide the amendment(s), or the examiner may make the amendments, with the patent owner’s approval, by an examiner’s amendment. If the changes are made by an examiner’s amendment, the examiner’s amendment must comply with the requirements of [37 CFR 1.530\(d\)-\(j\)](#) in amending the patent. Thus, the examiner’s amendment requires presentation of the full text of any paragraph or claim to be changed, with the [37 CFR 1.530\(f\)](#) markings. The exception for examiner’s amendments set forth in [37 CFR 1.121\(g\)](#) does not apply to examiner’s amendments in reexamination proceedings. See [MPEP § 2250](#). The only **exception** to the full text presentation requirement is that an entire claim or an entire paragraph of specification may be deleted from the patent by a statement deleting the claim or paragraph

without the presentation of the text of the claim or paragraph.

Normally the title of the invention or the abstract will not need to be changed during reexamination. If a change to the title or to the abstract *is* necessary, the patent owner should be notified of the need to provide an amendment changing the title or abstract as early as possible in the prosecution as a part of an Office action. If all of the claims are found to be patentable and a NIRC has been or is to be mailed, the examiner may only change the title of the invention or the text of the abstract by an examiner's amendment authorized by the patent owner. Changing the title and merely initialing the change is *not* permitted in reexamination.

If a patent expires during the pendency of a reexamination proceeding for that patent, all amendments to the patent claims and all claims added during the proceeding must be withdrawn. The examiner's amendment is to include a statement such as:

“As the patent being reexamined has expired during the pendency of the present reexamination proceeding, all amendments made during the proceeding are improper, and are hereby expressly withdrawn.”

Where an examiner's amendment is prepared, Box 7 of form PTOL-469 (Notice of Intent to Issue *Ex Parte* Reexamination Certificate) is checked, and form paragraph 22.06 is used to provide the appropriate attachments.

¶ 22.06 Examiner's Amendment Accompanying Notice of Intent To Issue Ex Parte Reexamination Certificate

An examiner's amendment to the record appears below. The changes made by this examiner's amendment will be reflected in the reexamination certificate to issue in due course.

[1]

VI. REASONS FOR PATENTABILITY AND/OR CONFIRMATION

Reasons for patentability must be provided, unless all claims are canceled in the proceeding. Box 2 of form PTOL-469 is checked, and the reasons are

provided as an attachment. In the attachment to the NIRC, the examiner should indicate why the claims found patentable in the reexamination proceeding are clearly patentable over the cited patents or printed publications. This is done in a manner similar to that used to indicate reasons for allowance in an application. See [MPEP § 1302.14](#). Where the record is clear as to why a claim is patentable, the examiner may refer to the particular portions of the record which clearly establish the patentability of that claim.

The reasons for patentability may be set forth on form PTOL-476, entitled “REASONS FOR PATENTABILITY AND/OR CONFIRMATION.” However, as a preferred alternative to using form PTOL-476, the examiner may instead use form paragraph 22.16.

¶ 22.16 Reasons For Patentability and/or Confirmation

STATEMENT OF REASONS FOR PATENTABILITY AND/OR CONFIRMATION

The following is an examiner's statement of reasons for patentability and/or confirmation of the claims found patentable in this reexamination proceeding: [1]

Any comments considered necessary by PATENT OWNER regarding the above statement must be submitted promptly to avoid processing delays. Such submission by the patent owner should be labeled: “Comments on Statement of Reasons for Patentability and/or Confirmation” and will be placed in the reexamination file.

Examiner Note:

This form paragraph may be used as an attachment to the Notice of Intent to Issue *Ex Parte* Reexamination Certificate, PTOL-469 (item number 2).

Original patent claims that are found patentable in a reexamination proceeding are generally to be designated as “confirmed” claims, while new claims and amended patent claims are generally to be designated as “patentable” claims. However, for purposes of the examiner setting forth reasons for patentability or confirmation, the examiner may use “patentable” to refer to any claim that defines over the cited patents or printed publications. There is no need to separate the claims into “confirmed” and “patentable” categories when setting forth the reasons.

Obviously, where all claims are canceled in the proceeding, no reasons for patentability are provided.

2287.01 Examiner Consideration of Submissions After a NIRC [R-07.2015]

The rules do not provide for an amendment to be filed in a reexamination proceeding after a Notice of Intent to Issue *Ex Parte* Reexamination Certificate (NIRC) has been issued. Note that [37 CFR 1.312](#) does not apply in a reexamination proceeding. Any amendment, information disclosure statement, or other paper related to the merits of the reexamination proceeding filed after the NIRC must be accompanied by a petition under [37 CFR 1.182](#). The petition must be granted, in order to have the amendment, information disclosure statement, or other paper related to the merits considered. Where an amendment, information disclosure statement, or other paper related to the merits of the reexamination proceeding is filed after the NIRC, and the accompanying petition under [37 CFR 1.182](#) is granted, the examiner will reconsider the case in view of the new information, and if appropriate, will reopen prosecution. See [MPEP § 2256](#) for a detailed discussion of the criteria for obtaining entry and consideration of an information disclosure statement filed after a NIRC.

Any “Comments on Statement of Reasons for Patentability and/or Confirmation” which are received will be placed in the reexamination file, without comment. This will be done even when the reexamination certificate has already issued.

2288 Issuance of *Ex Parte* Reexamination Certificate [R-08.2017]

35 U.S.C. 307 Certificate of patentability, unpatentability, and claim cancellation.

(a) In a reexamination proceeding under this chapter, when the time for appeal has expired or any appeal proceeding has terminated, the Director will issue and publish a certificate canceling any claim of the patent finally determined to be unpatentable, confirming any claim of the patent determined to be patentable, and incorporating in the patent any proposed amended or new claim determined to be patentable.

37 CFR 1.570 Issuance and publication of ex parte reexamination certificate concludes ex parte reexamination proceeding.

(a) To conclude an *ex parte* reexamination proceeding, the Director will issue and publish an *ex parte* reexamination certificate in accordance with [35 U.S.C. 307](#) setting forth the

results of the *ex parte* reexamination proceeding and the content of the patent following the *ex parte* reexamination proceeding.

(b) An *ex parte* reexamination certificate will be issued and published in each patent in which an *ex parte* reexamination proceeding has been ordered under [§ 1.525](#) and has not been merged with any *inter partes* reexamination proceeding pursuant to [§ 1.989\(a\)](#). Any statutory disclaimer filed by the patent owner will be made part of the *ex parte* reexamination certificate.

(c) The *ex parte* reexamination certificate will be mailed on the day of its date to the patent owner at the address as provided for in [§ 1.33\(c\)](#). A copy of the *ex parte* reexamination certificate will also be mailed to the requester of the *ex parte* reexamination proceeding.

(d) If an *ex parte* reexamination certificate has been issued and published which cancels all of the claims of the patent, no further Office proceedings will be conducted with that patent or any reissue applications or any reexamination requests relating thereto.

(e) If the *ex parte* reexamination proceeding is terminated by the grant of a reissued patent as provided in [§ 1.565\(d\)](#), the reissued patent will constitute the *ex parte* reexamination certificate required by this section and [35 U.S.C. 307](#).

(f) A notice of the issuance of each *ex parte* reexamination certificate under this section will be published in the *Official Gazette* on its date of issuance.

Since abandonment is not possible in a reexamination proceeding, a reexamination certificate will be issued and published at the conclusion of the proceeding in each patent in which a reexamination proceeding has been ordered under [37 CFR 1.525](#) except where the reexamination has been concluded by vacating the reexamination proceeding or by the grant of a reissue patent on the same patent in which case the reissue patent also serves as the reexamination certificate.

Where the reexamination is to be concluded for a failure to timely respond to an Office action, see [MPEP § 2266](#).

The reexamination certificate will set forth the results of the proceeding and the content of the patent following the reexamination proceeding. The certificate will:

(A) cancel any patent claims determined to be unpatentable;

(B) confirm any patent claims determined to be patentable;

(C) incorporate into the patent any amended or new claims determined to be patentable;

- (D) make any changes in the description approved during reexamination;
- (E) include any statutory disclaimer or terminal disclaimer filed by the patent owner;
- (F) identify unamended claims which were held invalid on final holding by another forum on any grounds;
- (G) identify any patent claims not reexamined;
- (H) be mailed on the day it is dated to the patent owner at the address provided for in [37 CFR 1.33\(c\)](#) and a copy will be mailed to the third party requester; and
- (I) identify patent claims, dependent on amended claims, determined to be patentable.

If a certificate issues and publishes which cancels all of the claims of the patent, no further Office proceedings will be conducted with regard to that patent or any reissue application or reexamination request directed thereto. However, in an extremely rare situation in which a reissue application is copending with a reexamination proceeding in which a reexamination certificate subsequently issues cancelling all claims of the patent, the patent owner may file a petition under [37 CFR 1.183](#) requesting waiver of the provisions of [37 CFR 1.570\(d\)](#), to address claims that were pending in the reissue application prior to the issuance of the certificate. Any such petition must be accompanied by a paper cancelling any claim within the scope of the claims canceled by the certificate and pointing out why the claims remaining in the reissue application can be patentable, despite the cancellation of all the patent claims by certificate, i.e., why the remaining claims are patentable over the cancelled claims. Such a paper will be available to the examiner, should the petition be granted. See [37 CFR 1.570\(d\)](#). See also [MPEP § 1449.01](#), subsection I.A. If a reexamination proceeding is concluded by the grant of a reissued patent as provided for in [37 CFR 1.565\(b\)](#), the reissued patent will constitute the reexamination certificate required by [35 U.S.C. 307](#) and this section. See [37 CFR 1.570\(e\)](#).

A notice of the issuance of each reexamination certificate will be published in the *Official Gazette* on its date of issuance in a format similar to that used for reissue patents. See [37 CFR 1.570\(f\)](#) and [MPEP § 2291](#).

2289 Reexamination Review [R-07.2015]

All reexamination cases are monitored and reviewed in the Central Reexamination Unit (CRU) or Technology Center (TC) by the CRU Supervisory Patent Reexamination Specialist (SPRS) or TC Quality Assurance Specialist (QAS), paralegal or other technical support who might be assigned as backup at several stages during the prosecution. This is done to ensure that practice and procedure unique to reexamination has been carried out for the reexamination proceeding. In addition to the CRU SPRS or TC QAS review of the reexamination cases, a panel review is made prior to issuing Office actions as set forth in [MPEP § 2271.01](#).

The above identified review processes are appropriate vehicles for correcting errors, identifying problem areas and recognizing trends, providing information on the uniformity of practice, and providing feedback to the Office personnel that process and examine reexamination cases.

2290 Format of *Ex Parte* Reexamination Certificate [R-07.2015]

An *ex parte* reexamination certificate is issued at the close of each *ex parte* reexamination proceeding in which reexamination has been ordered under [37 CFR 1.525](#), except for the following two cases:

(A) The *ex parte* reexamination proceeding is merged with a reissue application pursuant to [37 CFR 1.565\(d\)](#). If the *ex parte* reexamination proceeding is concluded by the grant of a reissue patent, the reissue patent will constitute the reexamination certificate;

(B) The *ex parte* reexamination proceeding is merged with an *inter partes* reexamination proceeding pursuant to [37 CFR 1.989\(a\)](#). If the *ex parte* reexamination proceeding is to be concluded as part of a merged proceeding containing an *inter partes* reexamination proceeding, a single reexamination certificate will issue for both proceedings; see [MPEP § 2690](#).

The *ex parte* reexamination certificate is formatted much the same as the title page of current U.S. patents.

The certificate is titled “*Ex Parte* Reexamination Certificate.” The title is followed by an “ordinal” number in parentheses. For example, if reexamination was ordered under [35 U.S.C. 304](#), the ordinal number may be, for example, “(235th),” which indicates that it is the two hundred and thirty fifth *ex parte* reexamination certificate that has issued. The certificates continue the ordinal numbering sequence that has already been established for *ex parte* reexamination proceedings ordered under [35 U.S.C. 304](#).

If the reexamination proceeding was ordered under [35 U.S.C. 257](#) as a result of a supplemental examination proceeding, the certificate is also titled “*Ex Parte* Reexamination Certificate.” In addition, the certificate will state “*Ex Parte* Reexamination Ordered under [35 U.S.C. 257](#)”. *Ex parte* reexamination certificates for reexaminations ordered under [35 U.S.C. 257](#) are numbered in a separate and new ordinal sequence, beginning with “(1st).”

Inter partes reexamination certificates are also numbered in a separate and new ordinal sequence, beginning with “(1st).”

The *ex parte* reexamination certificate number will always be the patent number of the original patent followed by a two-character “kind code” suffix. The first letter of the “kind code” suffix is “B” for reexamination certificates published prior to January 2, 2001, and “C” for reexamination certificates published on or after January 2, 2001. The second letter of the “kind code” suffix is the number of the reexamination proceeding of that patent, and thus shows how many times that patent has been reexamined.

Note that where the first reexamination certificate was a “B1” certificate and a second reexamination certificate then issues, the second reexamination certificate will be designated “C2” and NOT “C1.” Thus, by looking at the number following the “C,” one will be able to ascertain the number of reexamination certificates that preceded the certificate being viewed, i.e., how many prior reexamination certificates have been issued for the patent. (If this were not the practice and C1 were used, one would not be able to ascertain from the

number on the certificate how many B certificates came before.)

The next higher number will be given to the reexamination proceeding for which the reexamination certificate is issued, regardless of whether the proceeding is an *ex parte* reexamination ordered under [35 U.S.C. 304](#) or [35 U.S.C. 257](#), or an *inter partes* reexamination proceeding.

See [MPEP § 901.04\(a\)](#) for a complete list of the kind codes used by the United States Patent and Trademark Office.

The certificate denotes the date the certificate was issued at INID code [45] (see [MPEP § 901.04](#)). The title, name of inventor, the current classification, the abstract, and the notice regarding the list of prior art documents appear at their respective INID code designations, much the same as is presently done in utility patents.

The primary differences, other than as indicated above, are:

(A) The filing date and number of the request is preceded by “Reexamination Request” if the reexamination was ordered under [35 U.S.C. 304](#), and “Supplemental Examination Request” if the reexamination was ordered under [35 U.S.C. 257](#) (the control number of the supplemental examination request, which is also the control number of the supplemental examination proceeding, is identical to the control number of the reexamination proceeding ordered as a result of the supplemental examination proceeding).

(B) The patent for which the certification is now issued is identified under the heading “Reexamination Certificate for”; and

(C) A notice will be present which will inform that the list of cited prior art documents will be available via PAIR by control number.

Finally, the certificate will identify the patent claims which were confirmed as patentable, canceled, disclaimed, and those claims not examined. Only the status of the confirmed, canceled, disclaimed, and not examined claims will be indicated in the certificate. The text of the new and amended claims will be printed in the certificate. Any new claims

will be printed in the certificate completely in italics, and any amended claims will be printed in the certificate with italics and bracketing indicating the amendments thereto. Any prior court decisions will

be identified, as well as the citation of the court decisions.

Below is an example of a certificate for an *ex parte* reexamination ordered under [35 U.S.C. 304](#):



(12) **EX PARTE REEXAMINATION CERTIFICATE** (10281st)
United States Patent
Matlin et al. (10) **Number: US 8,020,796 C1**
(45) **Certificate Issued: Sep. 2, 2014**

- (54) **SHREDDER THICKNESS WITH ANTI-JITTER FEATURE**
- (75) **Inventors:** **Tai Hoon K. Matlin**, Lake Beach, IL (US); **Michael Dale Jensen**, Wood Dale, IL (US)
- (73) **Assignee:** **Fellowes, Inc.**, Itasca, IL (US)

Reexamination Request:
 No. 90/013,046, Oct. 29, 2013

Reexamination Certificate for:
 Patent No.: **8,020,796**
 Issued: **Sep. 20, 2011**
 Appl. No.: **12/816,889**
 Filed: **Jun. 16, 2010**

Related U.S. Application Data

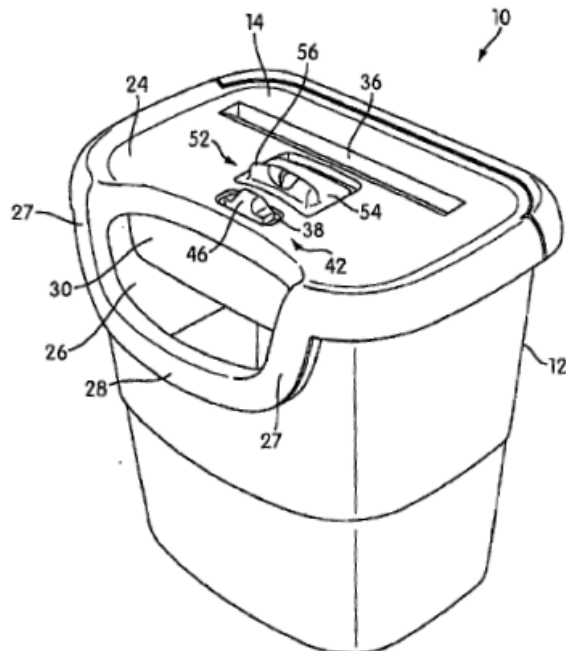
- (62) Division of application No. 11/867,260, filed on Oct. 4, 2007, now Pat. No. 7,954,737.
- (51) **Int. Cl.**
B02C 4/32 (2006.01)
B02C 7/14 (2006.01)
B02C 9/04 (2006.01)
- (52) **U.S. Cl.**
 USPC **241/36; 241/37.5**

(58) **Field of Classification Search**
 None
 See application file for complete search history.

(56) **References Cited**
 To view the complete listing of prior art documents cited during the proceeding for Reexamination Control Number 90/013,046, please refer to the USPTO's public Patent Application Information Retrieval (PAIR) system under the Display References tab.

Primary Examiner — Danton DeMille

(57) **ABSTRACT**
 A shredder includes a housing having a throat for receiving at least one article to be shredded, and a shredder mechanism received in the housing and including an electrically powered motor and cutter elements. The shredder also includes a detector that is configured to detect a thickness of the at least one article being received by the throat, and a controller that is configured to operate the motor to drive the cutter elements to shred the at least one article and to set a flutter threshold higher than the predetermined maximum thickness threshold, if the detected thickness is less than a predetermined maximum thickness threshold. The controller is also configured to thereafter continuously detect the thickness of the at least one article being inserted into a throat of the shredder; and to perform a predetermined operation responsive to the thickness detector detecting that the thickness of the at least one article is greater than the flutter threshold.



US 8,020,796 C1

1
EX PARTE
REEXAMINATION CERTIFICATE
ISSUED UNDER 35 U.S.C. 307

THE PATENT IS HEREBY AMENDED AS
INDICATED BELOW.

Matter enclosed in heavy brackets [] appeared in the patent, but has been deleted and is no longer a part of the patent; matter printed in italics indicates additions made to the patent.

AS A RESULT OF REEXAMINATION, IT HAS BEEN DETERMINED THAT:

The patentability of claims 11, 12 and 19 is confirmed.

Claims 1, 2, 21 and 22 are cancelled.

Claims 16, 17, 18, 20 and 31 are determined to be patentable as amended.

New claims 32 and 33 are added and determined to be patentable.

Claims 3-10, 13-15 and 23-30 were not reexamined.

16. A shredder according to claim [2] 11, further comprising a presence sensor, separate from the thickness detector, in the throat for determining whether the at least one article has been inserted into the throat.

17. A shredder according to claim [1] 11, wherein the controller comprises a microcontroller.

18. A shredder according to claim [1] 11, wherein the controller is configured to monitor a motor operating condition during the operation of the motor in the shredding direction to determine whether to prevent operation of the motor in the shredding direction.

20. A shredder according to claim [1] 19, wherein said sensor is an optical sensor.

31. A [shredder] method according to claim [22] 32, further comprising monitoring a motor operating condition during

2

the operation of the motor in the shredding direction to determine whether to prevent operation of the motor in the shredding direction.

32. A method for operating a shredder comprising a housing having a throat for receiving at least one article to be shredded, a thickness detector for detecting a thickness of the at least one article to be shredded inserted in the throat, and a shredder mechanism received in the housing and including an electrically powered motor and cutter elements, the shredder mechanism enabling the at least one article to be shredded to be fed into the cutter elements and the motor being operable in a shredding direction to drive the cutter elements to shred the articles fed therein; the method comprising:

prior to operation of the motor, determining whether the thickness detector detects that the thickness of the at least one article to be shredded being received by the throat is below or at or above a predetermined maximum thickness threshold; and

operating the motor in the shredding direction to drive the cutter elements to shred the at least one article being received by the throat if the thickness detector detects that the at least one article is below the predetermined maximum thickness threshold, without preventing the operation of the motor in the shredding direction in response to the thickness detector detecting during the operation of the motor that the thickness of the at least one article is at or above the predetermined maximum thickness threshold to thereby prevent unnecessary motor shut-off due to fluttering of the at least one article being shredded;

wherein said thickness detector includes a contact member in the throat movable by engagement of the article being received in the throat, and a sensor for detecting movement of the contact member.

33. A method according to claim 32, wherein the shredder further comprises a controller coupled to the motor and the thickness detector, and the method is performed by the controller.

* * * * *

2291 Notice of *Ex Parte* Reexamination Certificate Issuance in Official Gazette [R-07.2015]

The *Official Gazette* notice will include bibliographic information, and an indication of the status of each claim after the conclusion of the reexamination proceeding. Additionally, a representative claim will be published along with an

indication of any changes to the specification or drawing.

The notice will clearly indicate the type of certificate, e.g., an *ex parte* reexamination certificate (for proceedings ordered under [35 U.S.C. 304](#)), an *inter partes* reexamination certificate, a supplemental examination certificate, or an *ex parte* reexamination certificate from reexamination ordered under [35 U.S.C. 257](#).

2292 Distribution of Certificate [R-08.2012]

An e-copy of the reexamination certificate will be associated with the e-copy of the patent in the search files. A copy of the certificate will also be made a part of any patent copies prepared by the Office subsequent to the issuance of the certificate.

A copy of the certificate will also be forwarded to all depository libraries and to those foreign offices which have an exchange agreement with the U.S. Patent and Trademark Office.

2293 Intervening Rights [R-11.2013]

35 U.S.C. 307 Certificate of patentability, unpatentability, and claim cancellation.

(b) Any proposed amended or new claim determined to be patentable and incorporated into a patent following a reexamination proceeding will have the same effect as that specified in [section 252](#) for reissued patents on the right of any person who made, purchased, or used within the United States, or imported into the United States, anything patented by such proposed amended or new claim, or who made substantial preparation for the same, prior to issuance of a certificate under the provisions of subsection (a) of this section.

The situation of intervening rights resulting from reexamination proceedings parallels the intervening rights situation resulting from reissue proceedings, and the rights detailed in [35 U.S.C. 252](#) apply equally in reexamination and reissue situations. See *Fortel Corp. v. Phone-Mate, Inc.*, 825 F.2d 1577, 3 USPQ2d 1771 (Fed. Cir. 1987); *Kaufman Co., Inc. v. Lantech, Inc.*, 807 F.2d 970, 1 USPQ2d 1202 (Fed. Cir. 1986); *Tennant Co. v. Hako Minuteman, Inc.*, 4 USPQ2d 1167 (N.D. Ill. 1987); *Key Mfg. Group, Inc. v. Microdot, Inc.*, 679 F. Supp. 648, 4 USPQ2d 1687 (E.D. Mich. 1987).

2294 Concluded Reexamination Proceedings [R-07.2015]

Ex parte reexamination proceedings may be concluded in one of four ways:

(A) The prosecution of the proceeding may be brought to an end, and the proceeding itself concluded, by a denial of reexamination, or vacating the reexamination proceeding, or terminating the

reexamination proceeding. (In these instances, no Reexamination Certificate is issued).

(1) A reexamination file (IFW or paper) in which reexamination has been denied or vacated is processed by the Central Reexamination Unit (CRU) or Technology Center (TC) to provide the partial refund set forth in [37 CFR 1.26\(c\)](#). The reexamination file will then be given a 420 status (reexamination denied) or a 422 status (reexamination vacated). A copy of the PALM “Application Number Information” screen and the “Contents” screen is printed. The printed copy is annotated by adding the comment “PROCEEDING CONCLUDED,” and the annotated copy is then scanned into IFW using the miscellaneous letter document code.

(2) A reexamination file (IFW or paper) in which the reexamination proceeding has been terminated should be forwarded to the Central Reexamination Unit (CRU) if the file is not already there. The reexamination file will then be given a 420 status. A copy of the PALM “Application Number Information” screen and the “Contents” screen is printed, the printed copy is annotated by adding the comment “PROCEEDING CONCLUDED,” and the annotated copy is then scanned into IFW using the miscellaneous letter document code. A partial refund is not made in this instance, since the reexamination was properly commenced and addressed, and was terminated later based upon a court decision, or the like.

(B) The proceeding may be concluded under [37 CFR 1.570\(b\)](#) with the issuance of a Reexamination Certificate.

A reexamination proceeding that is to be concluded in this manner should be processed as set forth in [MPEP § 2287](#), and reviewed by the CRU Supervisory Patent Reexamination Specialist (SPRS) or TC Quality Assurance Specialist (QAS).

(C) The proceeding may be concluded under [37 CFR 1.570\(e\)](#) where the reexamination proceeding has been merged with a reissue proceeding and a reissue patent is granted; an individual reexamination certificate is not issued, but rather the reissue patent serves as the certificate.

A reexamination proceeding that is to be concluded in this manner should be processed, together with

the reissue proceeding, as set forth in [MPEP § 1455](#) and [MPEP § 1456](#).

(D) The proceeding may be concluded under [37 CFR 1.997\(b\)](#) where the *ex parte* reexamination proceeding has been merged with an *inter partes* reexamination proceeding and a single reexamination certificate is issued.

A reexamination proceeding that is to be concluded in this manner should be processed, together with the *inter partes* reexamination, into a merged certificate of the nature set forth in [MPEP § 2690](#) and [MPEP § 2694](#).

2295 Reexamination of a Reexamination [R-07.2015]

This section provides guidance for the processing and examination of a reexamination request filed on a patent for which a reexamination certificate has already issued, or a reexamination certificate issues on a prior reexamination, while the new reexamination is pending. This reexamination request is generally referred to as a “Reexamination of a reexamination.”

The reexamination request is to be considered based on the claims in the patent *as modified by the previously issued reexamination certificate*, and not based on the original claims of the patent. Accordingly, when the file for the new reexamination proceeding (reexamination of a reexamination) is first received by the Central Reexamination Unit (CRU), the CRU technical support staff will print out a copy of the issued reexamination certificate and make it of record in the second reexamination file wrapper as a preliminary amendment. Such incorporation must be done prior to forwarding the proceeding to the examiner for action.

The examiner should review the CRU support staff's entry of the reexamination certificate to ensure that all certificate changes are properly entered so that (A) the reexamination will be given on an accurate specification and claims, and (B) the appropriate version of the patent will be printed in any future reexamination certificate that will ultimately issue. The examiner will issue a decision on the

reexamination request **based on the patent claims (and specification) with the certificate changes entered.**

Once reexamination is ordered, the reexamination proceeding is conducted in accordance with [35 U.S.C. 305](#), [37 CFR 1.550](#) and [MPEP §§ 2254 - 2294](#).

I. PRIOR REEXAMINATION MATURES TO CERTIFICATE WHILE LATER REEXAMINATION IS PENDING

If a second request for reexamination of a patent is filed where the certificate for the first reexamination of the patent will issue within 3 months from the filing of the second request, the proceedings normally will not be merged. If the certificate for the first reexamination proceeding will issue before the decision on the second request must be decided, the reexamination certificate is allowed to issue. The second request is then considered based upon the claims in the patent as indicated in the issued reexamination certificate rather than the original claims of the patent. The Legal Instrument Examiner (LIE) will print out a copy of the issued reexamination certificate and make it of record in the second reexamination file wrapper as a preliminary amendment.

In the order/denial decision on the second request, it should be noted that this preliminary amendment (the certificate) was entered into the reexamination file, and that the determination (order/denial) was based upon the new patent claims in the certificate.

A copy of the reexamination certificate should be included as an attachment to the order/denial decision to ensure that any third party requester of the second reexamination has a copy of the certificate claims.

II. PATENT OWNER'S SUBMISSION OF AMENDMENTS

Any amendment to the claims (or specification) of the reexamination proceeding must be presented as if the changes made to the patent text via the reexamination certificate are a part of the original patent. Thus, all italicized text in the certificate is

considered as if the text was present without italics in the original patent. Further, any certificate text placed in brackets is considered as if it were never present in the patent at all.

For example, an amendment in a “reexamination of a reexamination” might include italicized text of claim 1 of the reexamination certificate as underlined (or italicized) in the copy of claim 1 submitted in the amendment. This would indicate that text already present in the patent (via the reexamination certificate) is again being added. This would be an improper amendment, and as such, an “informal submission.” Accordingly, the examiner would notify the patent owner that the amendment does not comply with [37 CFR 1.530](#). Form PTOL-475 or form PTO-2311 would be used to provide the notification of the defect in the amendment, as appropriate, and an appropriate time period (see [MPEP § 2266.02](#)) would be set for correction of the defect.

III. COMPLETION OF THE CHECKLISTS

After the mailing of the NIRC, the reexamination file will be processed by the CRU or the TC so that the Office of Data Management can prepare and issue a certificate in accordance with [35 U.S.C. 307](#) and [37 CFR 1.570](#). The certificate will set forth the results of the reexamination proceeding and the content of the patent following the proceeding. See [MPEP § 2287](#). The examiner will complete a checklist, Form PTO-1516, and the CRU support staff will complete the reexamination clerk checklist Form PTO-1517. In completing the checklists, the examiner and CRU support staff should keep in mind that the “patent” is the *original patent as modified by the reexamination certificate*. For example, claims canceled by the prior reexamination certificate should be listed in Item 8 - “Claim(s) _____ was (were) previously canceled.” Likewise, in Item 12 of the examiner checklist - “Claim(s) _____ is (are) determined to be patentable as amended”; any claims amended **only** by the prior reexamination certificate (i.e., not further amended in the present reexamination) **should not be listed**.

Each “reexamination of a reexamination” must be reviewed by a CRU Supervisory Patent Reexamination Specialist (SPRS) or TC Quality

Assurance Specialist (QAS) and a paralegal to ensure compliance with the above guidelines.

2296 USPTO Forms To Be Used In *Ex Parte* Reexamination [R-07.2015]

The following forms must be used in *ex parte* reexamination actions and processing (these forms are not reproduced below):

- (A) Order Denying Request For *Ex Parte* Reexamination – PTOL-471D
- (B) Order Granting Request For *Ex Parte* Reexamination – PTOL-471G
- (C) Office Action in *Ex Parte* Reexamination – PTOL-466
- (D) *Ex Parte* Reexamination Advisory Action Before the Filing of an Appeal Brief – PTOL-467
- (E) *Ex Parte* Reexamination Advisory Action After the Filing of an Appeal Brief – PTOL-467A
- (F) *Ex Parte* Reexamination Notification Re: Appeal – PTOL-468
- (G) Reasons for Patentability/Confirmation – PTOL-476
- (H) Notice of Intent to Issue *Ex Parte* Reexamination Certificate – PTOL-469
- (I) *Ex Parte* Reexamination Communication Transmittal Form – PTOL-465
- (J) *Ex Parte* Reexamination Interview Summary- PTOL-474
- (K) Notice of Defective Paper In *Ex Parte* Reexamination - Third Party Requested – PTOL-475
- (L) Notice of Defective Paper in *Ex Parte* Reexamination - Patent Owner Requested - PTO-2311
- (M) *Ex Parte* Reexamination Communication – PTOL-473
- (N) Reexamination Clerk Checklist – PTOL-1517
- (O) Examiner Checklist – Reexamination – PTOL-1516
- (P) Decision on Petition for Extension of Time in Reexamination - PTO-2293

A Request for *Ex Parte* Reexamination Transmittal Form, PTO/SB/57, is available on the USPTO website at www.uspto.gov for use in the filing of a request for reexamination; its use, however, is not mandatory.