

EUROPEAN PATENT OFFICE  
U.S. PATENT AND TRADEMARK OFFICE

CPC NOTICE OF CHANGES 1013

DATE: JANUARY 1, 2021

PROJECT RP0240

The following classification changes will be effected by this Notice of Changes:

<u>Action</u>	<u>Subclass</u>	<u>Group(s)</u>
<b>SCHEME:</b>		
Symbols Deleted:	B23B	31/1074, 31/205
Symbols New:	B23B	31/0261, 31/10741, 31/1079, 31/141, 31/142, 31/2012, 31/20125, 31/2025, 31/206, 31/2072, 31/2073
	B23B	2231/341, 2231/342, 2231/56, 2231/565, 2231/58
Titles Changed:	B23B	31/00, 31/101, 31/1072, 31/14, 31/201, 31/204, 31/207
Warnings New:	B23B	31/00, 31/02, 31/026, 31/0261, 31/107, 31/1072, 31/10741, 31/1079, 31/14, 31/141, 31/142, 31/20, 31/201, 31/2012, 31/202, 31/2025, 31/206, 31/207, 31/2072, 31/2073
	B23B	2231/34, 2231/341, 2231/342, 2231/56, 2231/58
	B23B	2270/025
<b>DEFINITIONS:</b>		
Definitions New:	B23B	31/026, 31/0261, 31/101, 31/1071, 31/1072, 31/10741, 31/1077, 31/1079, 31/141, 31/142, 31/2012, 31/20125, 31/2025, 31/204, 31/206, 31/2072, 31/2073, 31/307, 2231/341, 2231/342, 2231/56, 2231/565, 2231/58
Definitions Modified:	B23B	31/00

This Notice of Changes includes the following [Check the ones included]:

1. CLASSIFICATION SCHEME CHANGES

- A. New, Modified or Deleted Group(s)
- B. New, Modified or Deleted Warning(s)
- C. New, Modified or Deleted Note(s)
- D. New, Modified or Deleted Guidance Heading(s)

CPC NOTICE OF CHANGES 1013

DATE: JANUARY 1, 2021

PROJECT RP0240

2. DEFINITIONS

- A. New or Modified Definitions (Full definition template)
  - B. Modified or Deleted Definitions (Definitions Quick Fix)
3.  REVISION CONCORDANCE LIST (RCL)
  4.  CHANGES TO THE CPC-TO-IPC CONCORDANCE LIST (CICL)
  5.  CHANGES TO THE CROSS-REFERENCE LIST (CRL)

## CPC NOTICE OF CHANGES 1013

DATE: JANUARY 1, 2021

PROJECT RP0240

## 1. CLASSIFICATION SCHEME CHANGES

A. New, Modified or Deleted Group(s)**SUBCLASS B23B – TURNING; BORING** (arrangements for copying or controlling B23Q)

<u>Type*</u>	<u>Symbol</u>	<u>Indent Level Number of dots (e.g. 0, 1, 2)</u>	<u>Title (new or modified)</u> <u>“CPC only” text should normally be enclosed in {curly brackets}**</u>	<u>Transferred to#</u>
C	B23B 31/00	0	Chucks {(allowing axial oscillation of percussion tool bits B25D 17/08)}; Expansion mandrels; Adaptations thereof for remote control (faceplates B23Q 1/50; rotary devices holding by magnetic and/or electrical force acting directly on work B23Q 3/152)	B23B 31/00, B23B 2231/56, B23B 2231/565, B23B 2231/58
U	B23B 31/008	1	{with arrangements for transmitting torque }	
C	B23B 31/02	1	Chucks	B23B 31/02, B23B 31/0261, B23B 2231/56, B23B 2231/565, B23B 2231/58
C	B23B 31/026	2	{the radial or angular position of the tool being adjustable (boring heads with tools moving radially B23B 29/034; holding tools yieldably B23B 31/08; with means for adjusting the chuck with respect to the working spindle B23B 31/36)}	B23B 31/026, B23B 31/0261
N	B23B 31/0261	3	{for centering the tool }	
M	B23B 31/101	3	{Chucks with separately-acting jaws movable radially (B23B 31/1602, B23B 31/16062, B23B 31/161, B23B 31/16137, B23B 31/16175, B23B 31/16212, B23B 31/1625 and B23B 31/16283 take precedence; Chucks with simultaneously acting jaws moving radially B23B 31/16)}	
C	B23B 31/107	3	Retention by laterally-acting detents, e.g. pins, screws, wedges; Retention by loose elements, e.g. balls	B23B 31/107, B23B 31/1079
C	B23B 31/1072	4	{Retention by axially or circumferentially oriented cylindrical elements (cylindrical elements acting as jaws B23B 31/22)}	B23B 31/1072, B23B 31/10741, B23B 31/1079

CPC NOTICE OF CHANGES 1013

DATE: JANUARY 1, 2021

PROJECT RP0240

<u>Type*</u>	<u>Symbol</u>	<u>Indent Level Number of dots (e.g. 0, 1, 2)</u>	<u>Title (new or modified)</u> <u>“CPC only” text should normally be enclosed in {curly brackets}**</u>	<u>Transferred to#</u>
U	B23B 31/1073	4	{Retention by conical elements (conical elements acting as jaws B23B 31/22)}	
D	B23B 31/1074	4	{Retention by pins}	<administrative transfer to B23B31/1072>
N	B23B 31/10741	4	{Retention by substantially radially oriented pins}	
U	B23B 31/1078	4	{Retention by wedges}	
N	B23B 31/1079	4	{Retention by spring or wire}	
C	B23B 31/14	4	involving the use of centrifugal force	B23B 31/14, B23B 31/141, B23B 31/142
N	B23B 31/141	5	{To counterbalance the jaws}	
N	B23B 31/142	5	{To grip a tool or workpiece}	
C	B23B 31/20	4	Longitudinally-split sleeves, e.g. collet chucks	B23B 31/20, B23B 31/2012, B23B 31/20125, B23B 31/2025, B23B 31/206, B23B 31/2072, B23B 31/2073
C	B23B 31/201	5	{Characterized by features relating primarily to remote control of the gripping means}	B23B 31/201, B23B 31/2012, B23B 31/20125, B23B 31/206, B23B 31/2072, B23B 31/2073
N	B23B 31/2012	6	{Threaded cam actuator}	
N	B23B 31/20125	7	{Axially fixed cam, moving jaws}	
C	B23B 31/202	6	{Details of the jaws}	B23B 31/202, B23B 31/2025
N	B23B 31/2025	7	{Wherein the sleeve is split into two relatively movable parts}	
M	B23B 31/204	6	{using fluid-pressure means to actuate the gripping means (B23B 31/207 take precedence)}	
D	B23B 31/205	7	{using mechanical transmission through the spindle}	<Administrative transfer to B23B 31/207>
N	B23B 31/206	6	{Reciprocating cam actuator (B23B 31/207 takes precedence)}	
C	B23B 31/207	6	{using mechanical transmission through the spindle}	B23B 31/207, B23B 31/2072, B23B 31/2073, B23B 2270/025, B23B 2270/027
N	B23B 31/2072	7	{Axially moving cam, fixed jaws}	

## CPC NOTICE OF CHANGES 1013

DATE: JANUARY 1, 2021

PROJECT RP0240

<u>Type*</u>	<u>Symbol</u>	<u>Indent Level Number of dots (e.g. 0, 1, 2)</u>	<u>Title (new or modified)</u> <u>“CPC only” text should normally be enclosed in {curly brackets}**</u>	<u>Transferred to#</u>
N	B23B 31/2073	7	{ Axially fixed cam, moving jaws(B23B 31/20125 takes precedence)}	
C	B23B 2231/34	1	Jaws	B23B 2231/34, B23B 2231/341, B23B 2231/342
N	B23B 2231/341	2	Jaws with hard inserts	
N	B23B 2231/342	2	Padded or cushioned jaws	
U	B23B 2231/54	1	Chucks for taps	
N	B23B 2231/56	1	Chucks with more than one set of gripping means	
N	B23B 2231/565	2	Wherein only one means is usable at a time	
N	B23B 2231/58	1	Self-grasping, i.e., automatic grasping upon insertion of tool or workpiece	

\*N = new entries where reclassification into entries is involved; C = entries with modified file scope where reclassification of documents from the entries is involved; Q = new entries which are firstly populated with documents via administrative transfers from deleted (D) entries. Afterwards, the transferred documents into the Q entry will either stay or be moved to more appropriate entries, as determined by intellectual reclassification; T= existing entries with enlarged file scope, which receive documents from C or D entries, e.g. when a limiting reference is removed from the entry title; M = entries with no change to the file scope (no reclassification); D = deleted entries; F = frozen entries will be deleted once reclassification of documents from the entries is completed; U = entries that are unchanged.

## NOTES:

- \*\*No {curly brackets} are used for titles in CPC only subclasses, e.g. C12Y, A23Y; 2000 series symbol titles of groups found at the end of schemes (orthogonal codes); or the Y section titles. The {curly brackets} are used for 2000 series symbol titles found interspersed throughout the main trunk schemes (breakdown codes).
- U groups: it is obligatory to display the required “anchor” symbol (U group), i.e. the entry immediately preceding a new group or an array of new groups to be created (in case new groups are not clearly subgroups of C-type groups). Always include the symbol, indent level and title of the U group in the table above.
- All entry types should be included in the scheme changes table above for better understanding of the overall scheme change picture. Symbol, indent level, and title are required for all types.
- “Transferred to” column must be completed for all C, D, F, and Q type entries. F groups will be deleted once reclassification is completed.
- When multiple symbols are included in the “Transferred to” column, avoid using ranges of symbols in order to be as precise as possible.
- For administrative transfer of documents, the following text should be used: “< administrative transfer to XX>”, “<administrative transfer to XX and YY simultaneously>”, or “<administrative transfer to XX, YY ...and ZZ simultaneously>” when administrative transfer of the same documents is to more than one place.
- Administrative transfer to main trunk groups is assumed to be the source allocation type, unless otherwise indicated.
- Administrative transfer to 2000/Y series groups is assumed to be “additional information”.
- If needed, instructions for allocation type should be indicated within the angle brackets using the abbreviations “ADD” or “INV”: <administrative transfer to XX ADD> , <administrative transfer to XX INV>, or < administrative transfer to XX ADD, YY INV, ... and ZZ ADD simultaneously>.
- In certain situations, the “D” entries of 2000-series or Y-series groups may not require a destination (“Transferred to”) symbol, however it is required to specify “<no transfer>” in the “Transferred to” column for such cases.
- For finalisation projects, the deleted “F” symbols should have <no transfer> in the “Transferred to” column.
- For more details about the types of scheme change, see CPC Guide.

CPC NOTICE OF CHANGES 1013

DATE: JANUARY 1, 2021

PROJECT RP0240

B. New, Modified or Deleted Warning(s)

**SUBCLASS B23B – TURNING; BORING** (arrangements for copying or controlling B23Q)

<u>Type*</u>	<u>Location</u>	<u>Old Warning</u>	<u>New/Modified Warning</u>
N	B23B 31/00		Group B23B 31/00 is impacted by reclassification into groups B23B 2231/56, B23B 2231/565, and B23B 2231/58. All groups listed in this Warning should be considered in order to perform a complete search.
N	B23B 31/02		Group B23B 31/02 is impacted by reclassification into groups B23B 31/0261, B23B 2231/56, B23B 2231/565, and B23B 2231/58. All groups listed in this Warning should be considered in order to perform a complete search.
N	B23B 31/026		Group B23B 31/026 is impacted by reclassification into group B23B 31/0261. Groups B23B 31/026 and B23B 31/0261 should be considered in order to perform a complete search.
N	B23B 31/0261		Group B23B 31/0261 is incomplete pending reclassification of documents from groups B23B 31/02 and B23B 31/026. Groups B23B 31/02, B23B 31/026, and B23B 31/0261 should be considered in order to perform a complete search.
N	B23B 31/107		Group B23B 31/107 is impacted by reclassification into group B23B 31/1079. Groups B23B 31/107 and B23B 31/1079 should be considered in order to perform a complete search.
N	B23B 31/1072		Group B23B 31/1072 is impacted by reclassification into groups B23B 31/10741 and B23B 31/1079. Groups B23B 31/1072, B23B 31/10741, and B23B 31/1079 should be considered in order to perform a complete search.
N	B23B 31/10741		Group B23B 31/10741 is incomplete pending reclassification of documents from group B23B 31/1072. Groups B23B 31/1072 and B23B 31/10741 should be considered in order to perform a complete search.
N	B23B 31/1079		Group B23B 31/1079 is incomplete pending reclassification of documents from groups B23B 31/107 and B23B 31/1072. Groups B23B 31/107, B23B 31/1072, and B23B 31/1079 should be considered in order to perform a complete search.
N	B23B 31/14		Group B23B 31/14 is impacted by reclassification into groups B23B 31/141 and B23B 31/142. Groups B23B 31/14, B23B 31/141, and B23B 31/142 should be considered in order to perform a complete search.
N	B23B 31/141		Group B23B 31/141 is incomplete pending reclassification of documents from group B23B 31/14. Groups B23B 31/14 and B23B 31/141 should be considered in order to perform a complete search.
N	B23B 31/142		Group B23B 31/142 is incomplete pending reclassification of documents from group B23B 31/14. Groups B23B 31/14 and B23B 31/142 should be considered in order to perform a complete search.

CPC NOTICE OF CHANGES 1013

DATE: JANUARY 1, 2021

PROJECT RP0240

<u>Type*</u>	<u>Location</u>	<u>Old Warning</u>	<u>New/Modified Warning</u>
N	B23B 31/20		Group B23B 31/20 is impacted by reclassification into groups B23B 31/2012, B23B 31/20125, B23B 31/2025, B23B 31/206, B23B 31/2072, and B23B 31/2073. All groups listed in this Warning should be considered in order to perform a complete search.
N	B23B 31/201		Group B23B 31/201 is impacted by reclassification into groups B23B 31/2012, B23B 31/20125, B23B 31/206, B23B 31/2072, and B23B 31/2073. All groups listed in this Warning should be considered in order to perform a complete search.
N	B23B 31/2012		Groups B23B 31/2012 and B23B 31/20125 are incomplete pending reclassification of documents from groups B23B 31/20 and B23B 31/201. All groups listed in this Warning should be considered in order to perform a complete search.
N	B23B 31/202		Group B23B 31/202 is impacted by reclassification into group B23B 31/2025. Groups B23B 31/202 and B23B 31/2025 should be considered in order to perform a complete search.
N	B23B 31/2025		Group B23B 31/2025 is incomplete pending reclassification of documents from groups B23B 31/20 and B23B 31/202. Groups B23B 31/20, B23B 31/202, and B23B 31/2025 should be considered in order to perform a complete search.
N	B23B 31/206		Group B23B 31/206 is incomplete pending reclassification of documents from groups B23B 31/20 and B23B 31/201. Groups B23B 31/20, B23B 31/201, and B23B 31/206 should be considered in order to perform a complete search.
N	B23B 31/207		Group B23B 31/207 is impacted by reclassification into groups B23B 31/2072, B23B 31/2073, B23B 2270/025, and B23B 2270/027. All groups listed in this Warning should be considered in order to perform a complete search.
N	B23B 31/2072		Group B23B 31/2072 is incomplete pending reclassification of documents from groups B23B 31/20, B23B 31/201, and B23B 31/207. All groups listed in this Warning should be considered in order to perform a complete search.
N	B23B 31/2073		Group B23B 31/2073 is incomplete pending reclassification of documents from groups B23B 31/20, B23B 31/201, and B23B 31/207. All groups listed in this Warning should be considered in order to perform a complete search.
N	B23B 2231/34		Group B23B 2231/34 is impacted by reclassification into groups B23B 2231/341 and B23B 2231/342. Groups B23B 2231/34, B23B 2231/341, and B23B 2231/342 should be considered in order to perform a complete search.
N	B23B 2231/341		Group B23B 2231/341 is incomplete pending reclassification of documents from group B23B 2231/34. Groups B23B 2231/34 and B23B 2231/341 should be considered in order to perform a complete search.

CPC NOTICE OF CHANGES 1013

DATE: JANUARY 1, 2021

PROJECT RP0240

<u>Type*</u>	<u>Location</u>	<u>Old Warning</u>	<u>New/Modified Warning</u>
N	B23B 2231/342		Group B23B 2231/342 is incomplete pending reclassification of documents from group B23B 2231/34. Groups B23B 2231/34 and B23B 2231/342 should be considered in order to perform a complete search.
N	B23B 2231/56		Groups B23B 2231/56 and B23B 2231/565 are incomplete pending reclassification of documents from groups B23B 31/00 and B23B 31/02. All groups listed in this Warning should be considered in order to perform a complete search.
N	B23B 2231/58		Group B23B 2231/58 is incomplete pending reclassification of documents from groups B23B 31/00 and B23B 31/02. Groups B23B 31/00, B23B 31/02, and B23B 2231/58 should be considered in order to perform a complete search.
N	B23B 2270/025		Group B23B 2270/025 is incomplete pending reclassification of documents from group B23B 31/207. Groups B23B 31/207 and B23B 2270/025 should be considered in order to perform a complete search.

\*N = new warning, M = modified warning, D = deleted warning

NOTE: The "Location" column only requires the symbol PRIOR to the location of the warning. No further directions such as "before" or "after" are required.



## 2. A. DEFINITIONS (new)

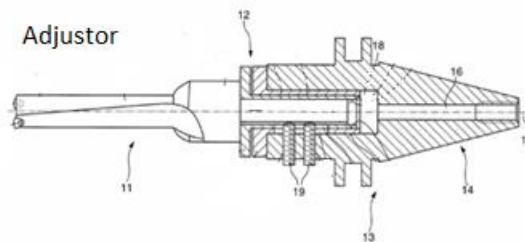
Insert the following new definitions.

### B23B31/026

#### Definition statement

*This place covers:*

Illustrative example of subject matter classified in this group.



Adjustor for setting diameter of bore with rotary cutting tools. Cutting tool 11; tool holder 13; adjusting device 12; Steep taper shank 16; axis of rotation 17; receiving section 18; fastening screws 19.

#### References

#### Limiting References

*This place does not cover:*

Boring heads with tools moving radially	B23B 29/034
Holding tools yieldably	B23B 31/08
With means for adjusting the chuck with respect to the working spindle	B23B 31/36

**Informative References**

*Attention is drawn to the following places, which may be of interest for search:*

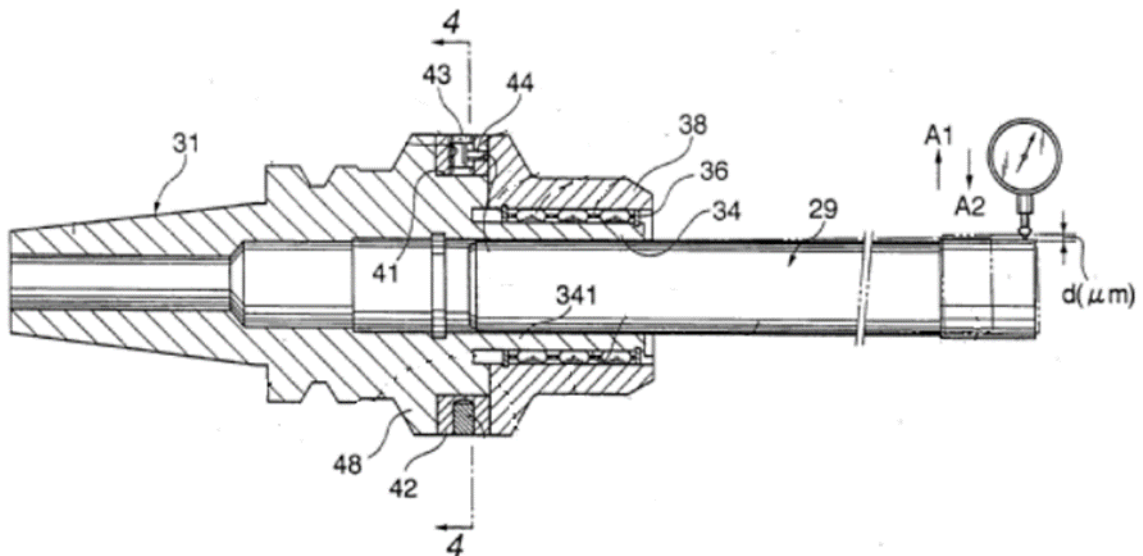
Devices for securing work or tools to spindles	B23Q 3/12
--	-----------

**B23B31/0261**

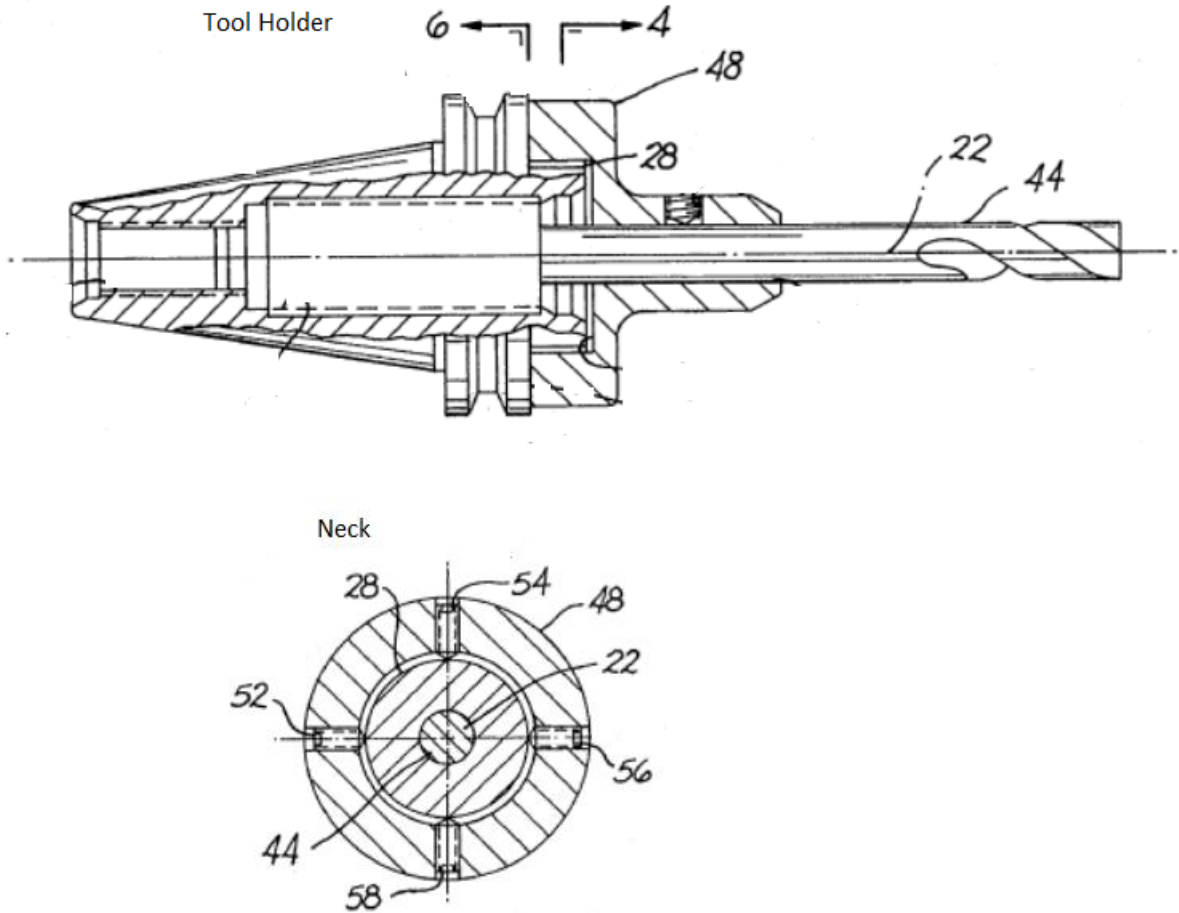
**Definition statement**

*This place covers:*

Illustrative examples of subject matter classified in this group.



Cutting tool 29; holder body 31; base end portion 341 of the chuck sleeve 34, which is continuous with the cylindrical support portion 48; tip run-out of the cutting tool 29; rotating the eccentric cam 43 provided in the ring member 42; cylindrical support portion 48; the holder body 31; pin 44; clamp sleeve 38.



Chuck with means (52/54/56/58) for centering a tool or workpiece.

## B23B31/101

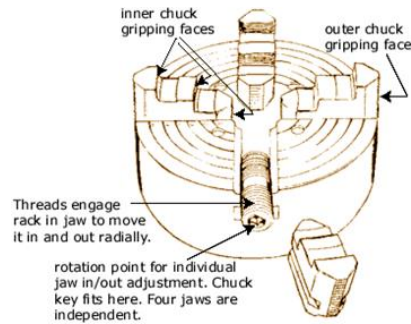
### Definition statement

*This place covers:*

Illustrative example of subject matter classified in this group.

DATE: JANUARY 1, 2021

PROJECT RP0240



Chuck with separately acting jaws movable radially.

**References**

**Limiting References**

*This place does not cover:*

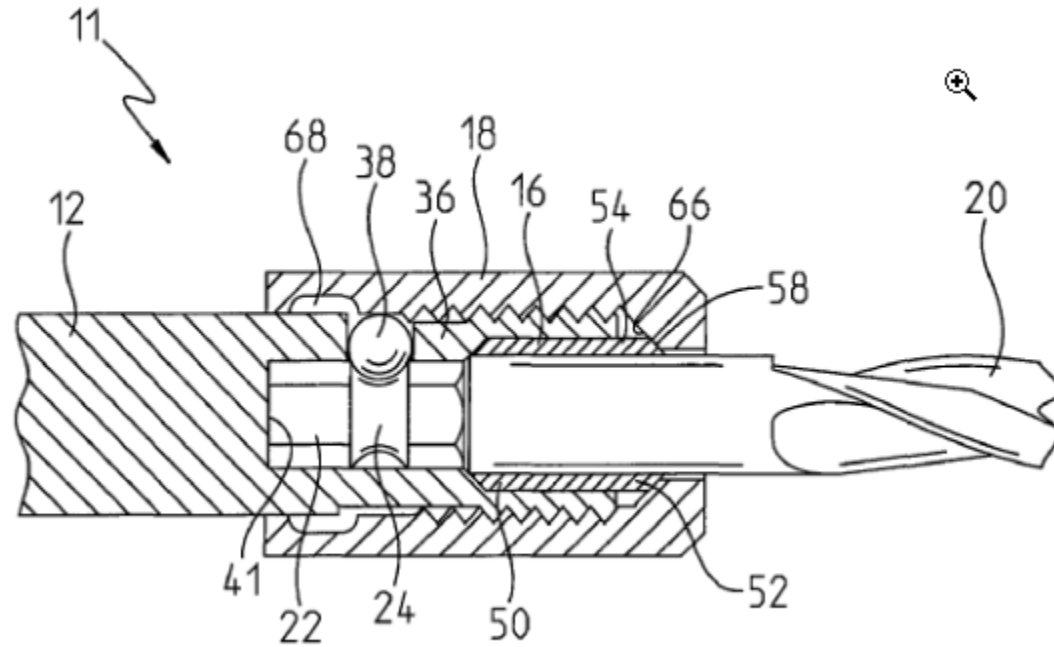
Chucks with simultaneously acting jaws moving radially	B23B 31/16
Individually adjustable jaws	B23B31/1602, B23B31/16062, B23B31/161, B23B31/16137, B23B31/16175, B23B31/16212, B23B31/1625, B23B31/16283

**B23B31/1071**

**Definition statement**

*This place covers:*

Illustrative example of subject matter classified in this group.



Chuck with ball detents (38).

**References**

**Limiting References**

*This place does not cover:*

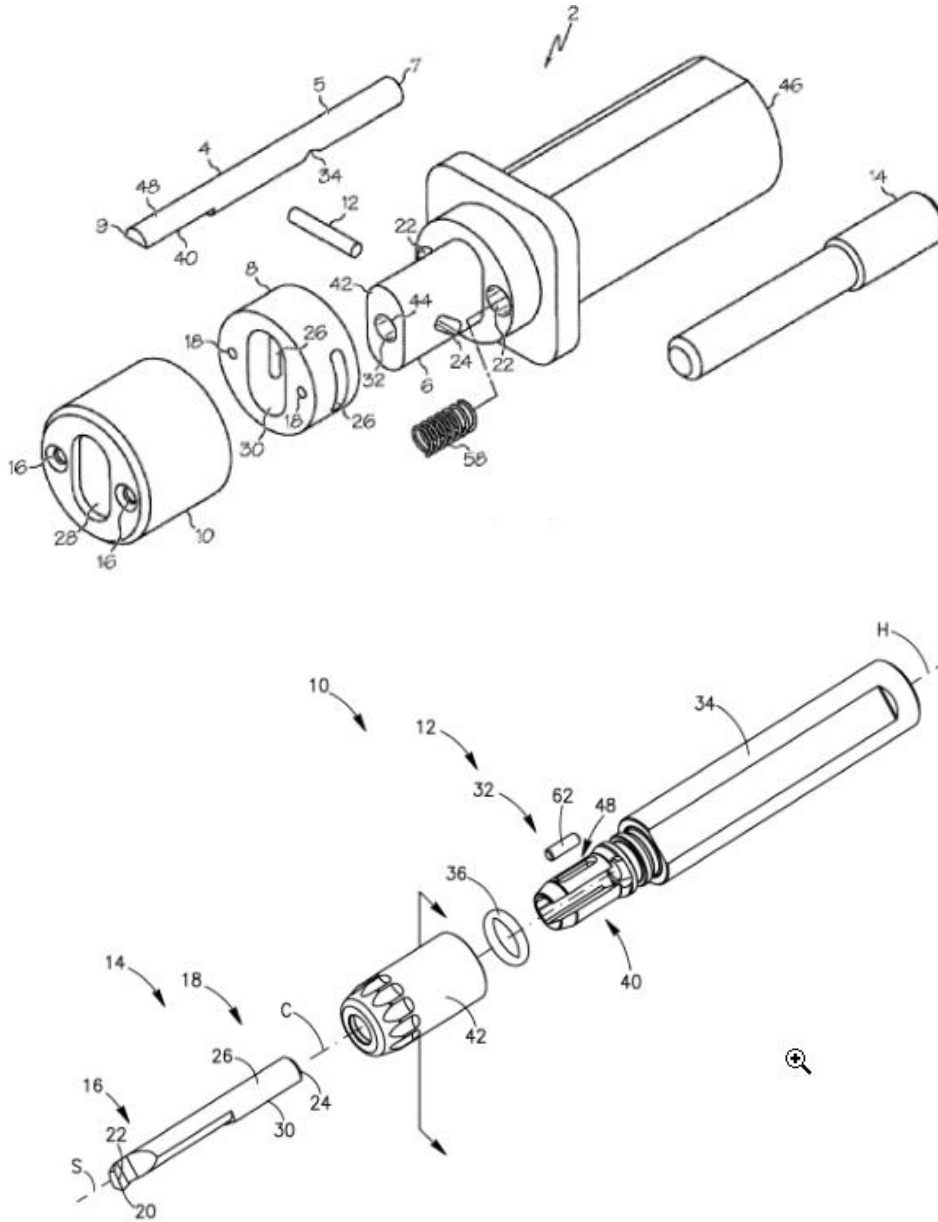
Balls acting as jaws	<a href="#">B23B 31/22</a>
----------------------	----------------------------

**B23B31/1072**

**Definition statement**

*This place covers:*

Illustrative examples of subject matter classified in this group.



Chuck with axial or circumferential cylindrical detents.

**References**

**Limiting References**

*This place does not cover:*

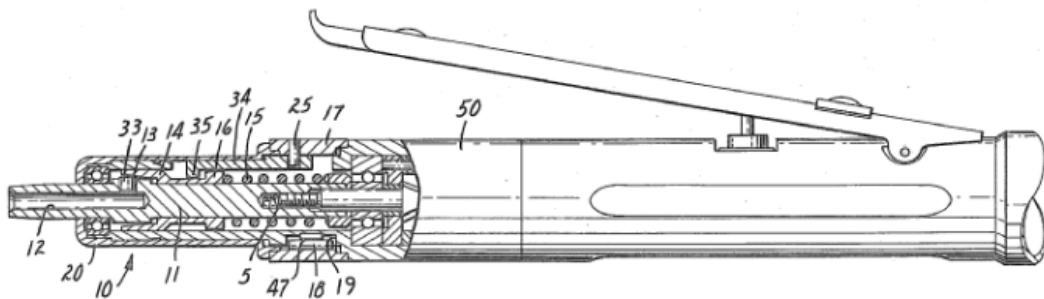
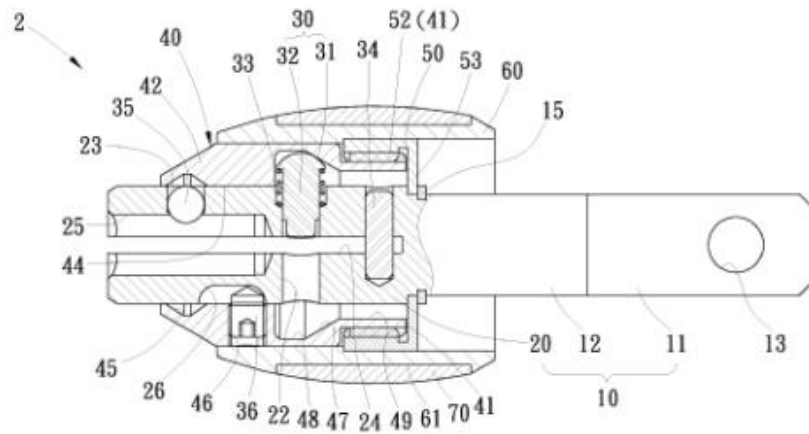
Cylindrical elements acting as jaws	B23B 31/22
-------------------------------------	------------

## B23B31/10741

### Definition statement

*This place covers:*

Illustrative examples of subject matter classified in this group.



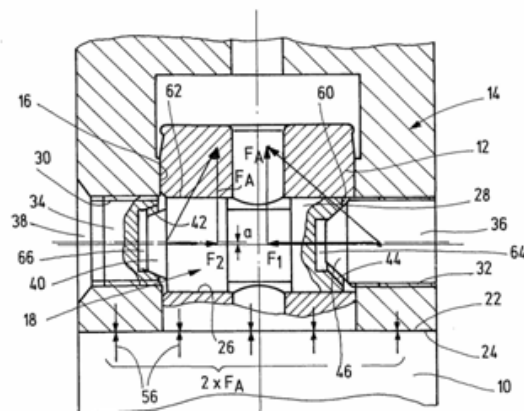
Chuck with radial pin detent.

## B23B31/1077

### Definition statement

*This place covers:*

Illustrative example of subject matter classified in this group.



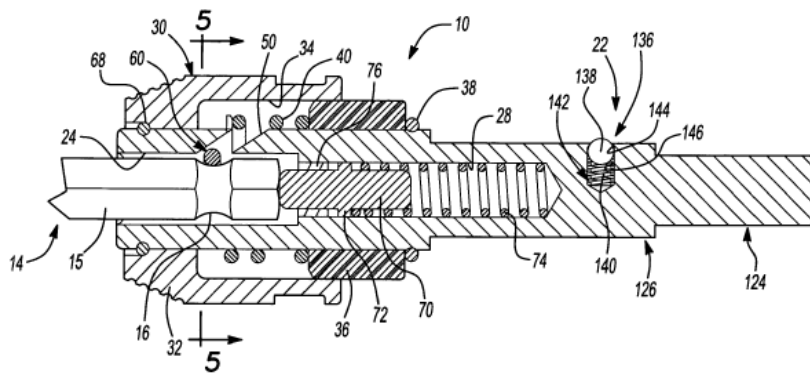
Chuck (14) with screw detent (36) acting on floating pin (18).

## B23B31/1079

### Definition statement

*This place covers:*

Illustrative example of subject matter classified in this group.



Chuck with spring or wire detent (60).

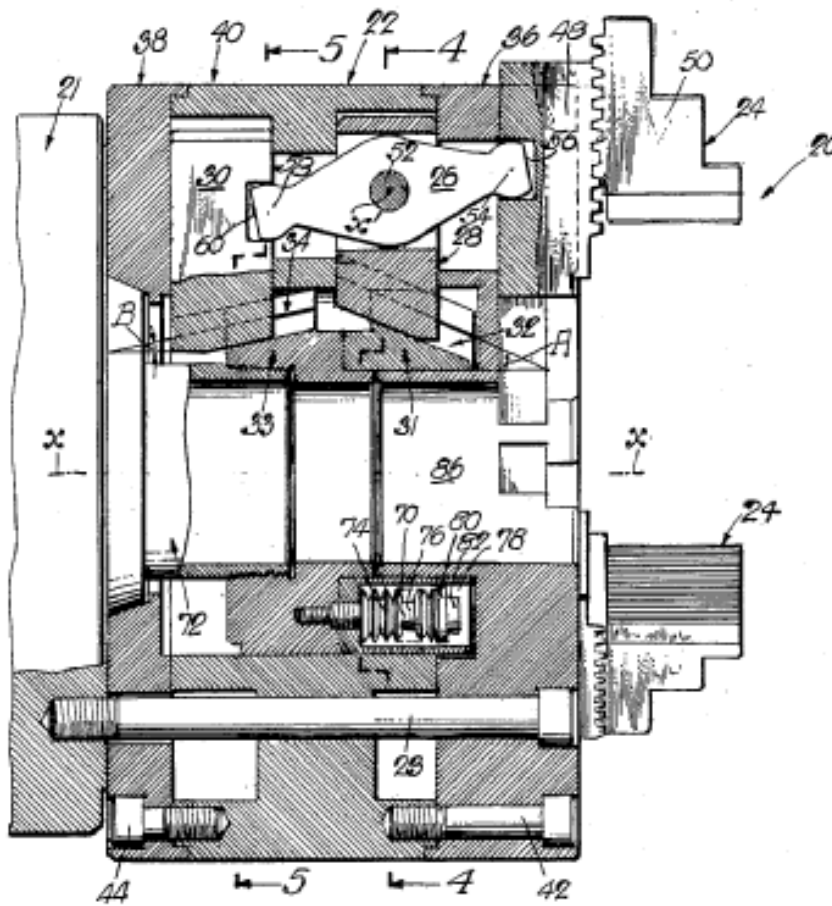


## B23B31/141

### Definition statement

*This place covers:*

Illustrative example of subject matter classified in this group.



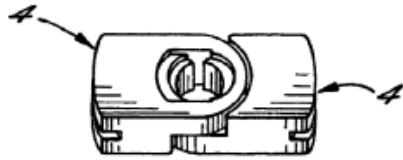
Chuck using centrifugal force to counterbalance the jaws. Action bar 26 extends substantially longitudinally of the chuck axis x, and is mounted intermediate its ends on a pivot pin 52 with an axis x'.

## B23B31/142

### Definition statement

*This place covers:*

Illustrative example of subject matter classified in this group.



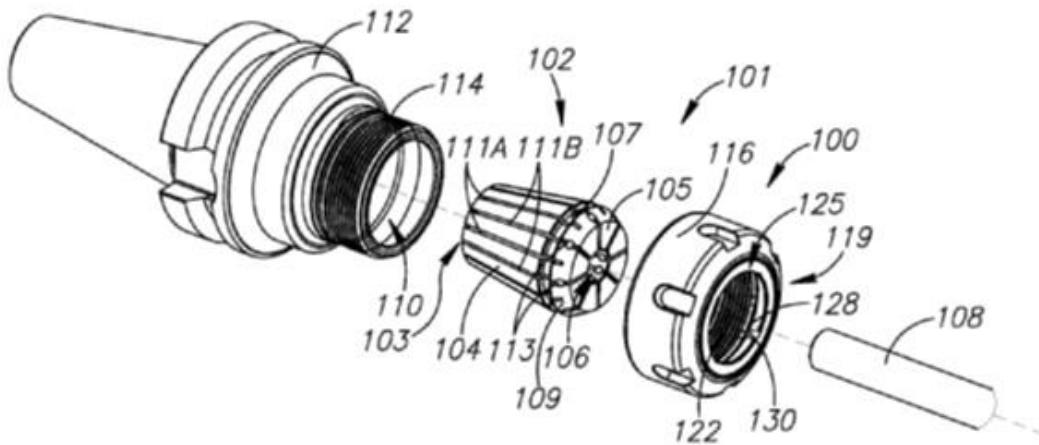
Chuck using centrifugal force to grip a tool or workpiece.

## B23B31/2012

### Definition statement

*This place covers:*

Illustrative example of subject matter classified in this group.



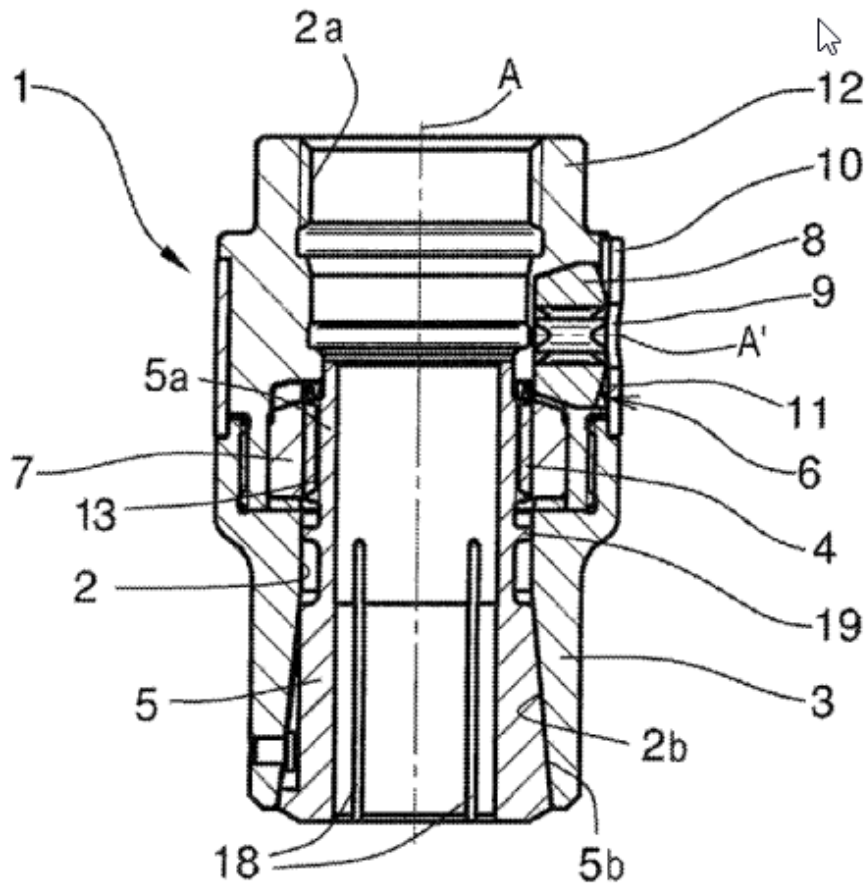
Collet chuck with threaded cam actuator (100).

## B23B31/20125

### Definition statement

*This place covers:*

Illustrative example of subject matter classified in this group.



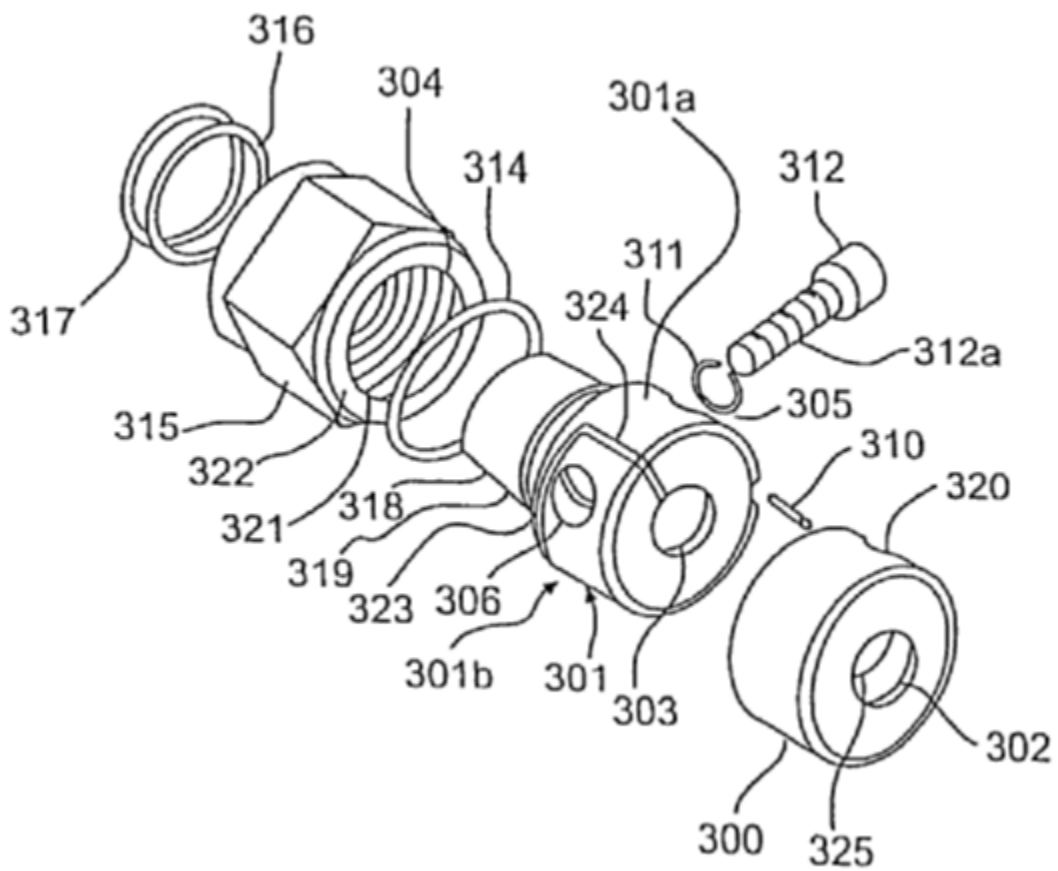
Collet chuck with axial fixed threaded cam actuator (3) and moving jaws (5).

## B23B31/2025

### Definition statement

*This place covers:*

Illustrative example of subject matter classified in this group.



Collet chuck comprises a sleeve (301) split into two relatively movable parts (301a/301b).

## B23B31/204

### References

### Limiting References

*This place does not cover:*

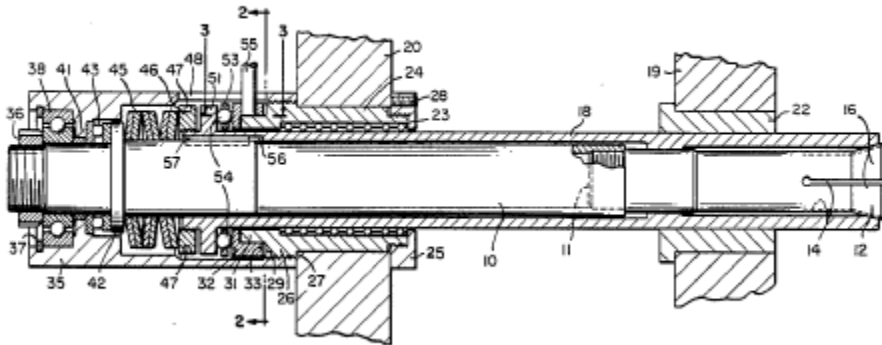
Using mechanical transmission through the spindle	<a href="#">B23B 31/207</a>
---	-----------------------------

## B23B31/206

### Definition statement

*This place covers:*

Illustrative example of subject matter classified in this group.



Collet chuck with reciprocating cam actuator.

### References

### Limiting References

*This place does not cover:*

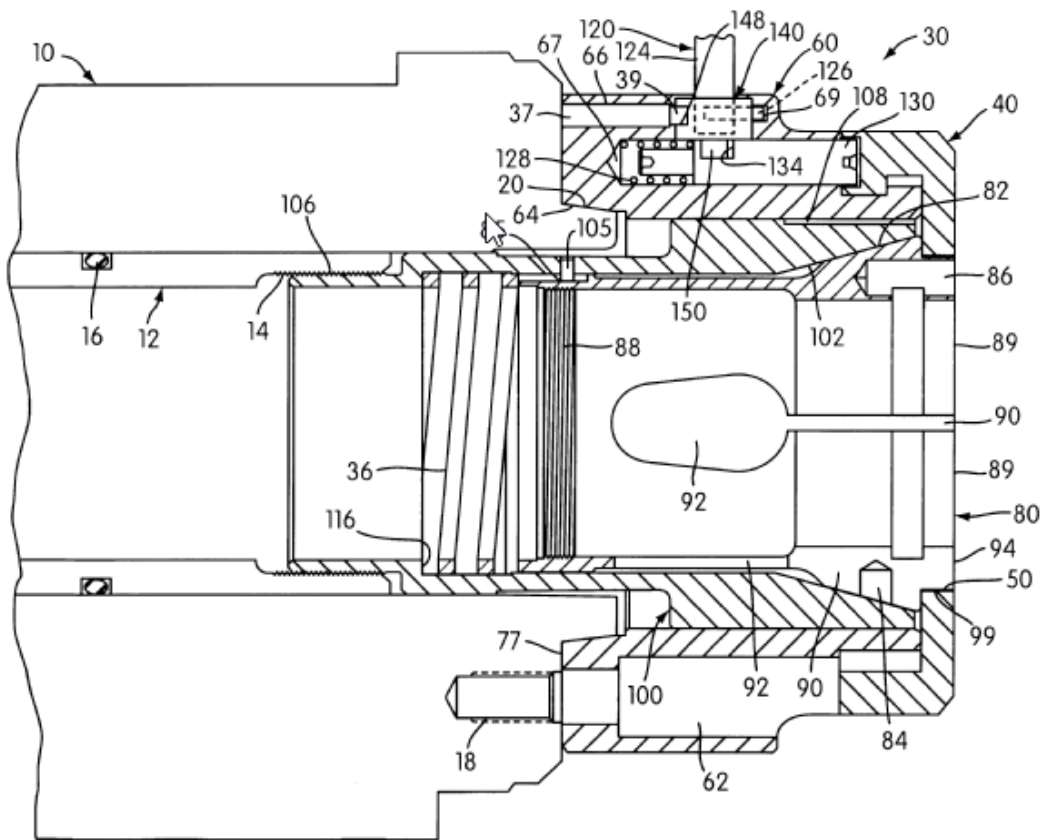
Using mechanical transmission through the spindle	<a href="#">B23B 31/207</a>
---	-----------------------------

## B23B31/2072

### Definition statement

*This place covers:*

Illustrative example of subject matter classified in this group.



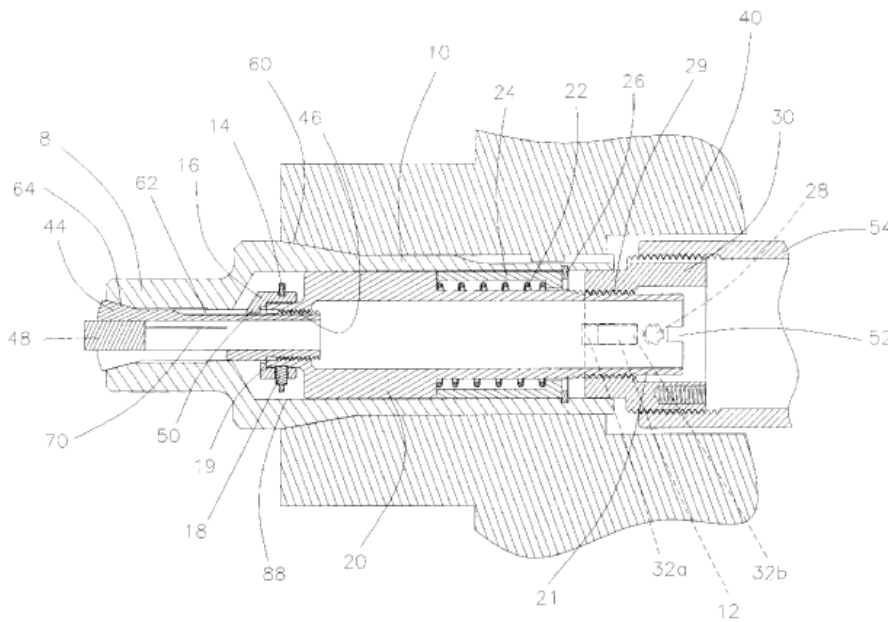
Collet chuck with axial moving cam actuator (100) and fixed jaws (89).

## B23B31/2073

### Definition statement

*This place covers:*

Illustrative example of subject matter classified in this group.



Collet chuck with axially fixed cam actuator (8) and moving jaws (44).

### References

#### Limiting References

*This place does not cover:*

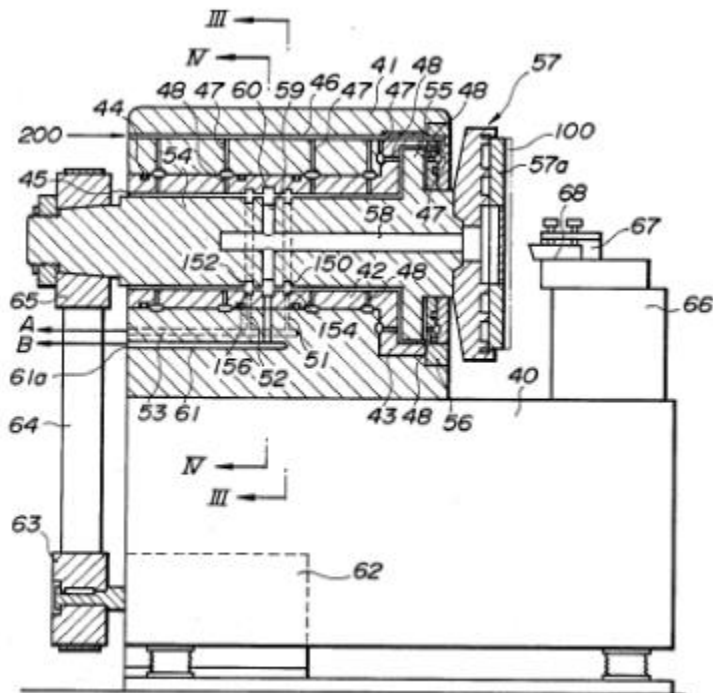
Axially fixed cam, moving jaws	<a href="#">B23B 31/20125</a>
--------------------------------	-------------------------------

## B23B31/307

### Definition statement

*This place covers:*

Illustrative example of subject matter classified in this group.



Vacuum chuck.

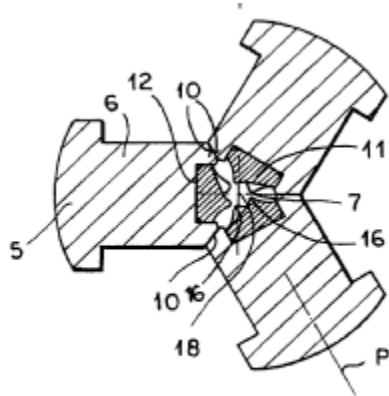
## B23B2231/341

### Definition statement

*This place covers:*

Illustrative examples of subject matter classified in this group.





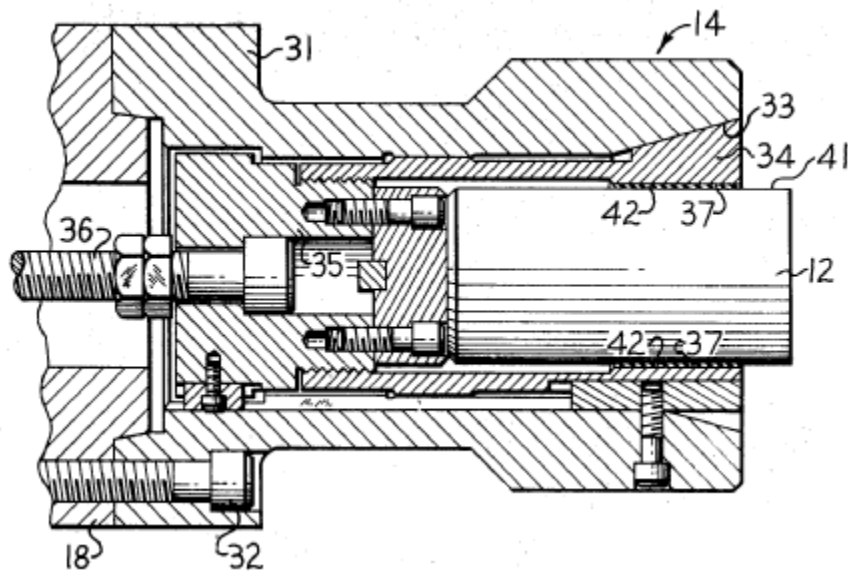
Drill chuck with hard-metal insert 11.

## B23B2231/342

### Definition statement

*This place covers:*

Illustrative examples of subject matter classified in this group.



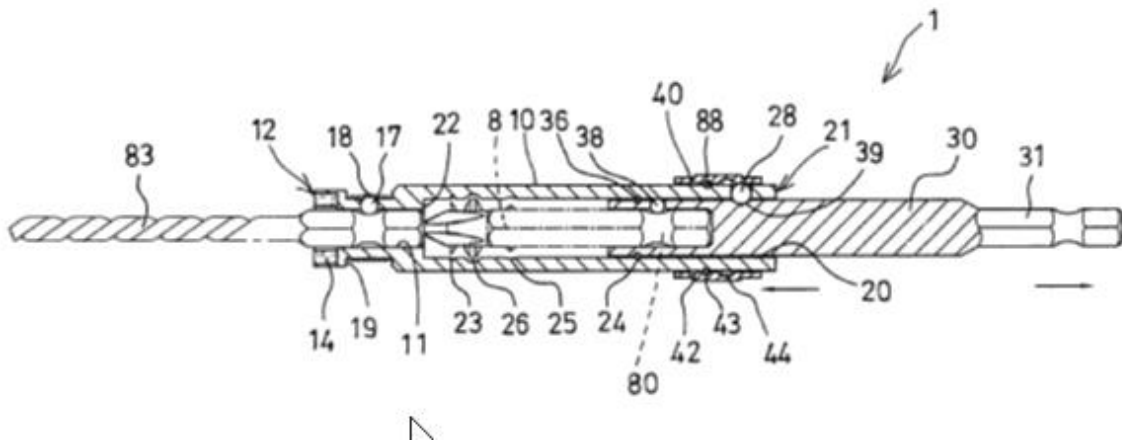
Jaws with elastomeric material 42.

## B23B2231/56

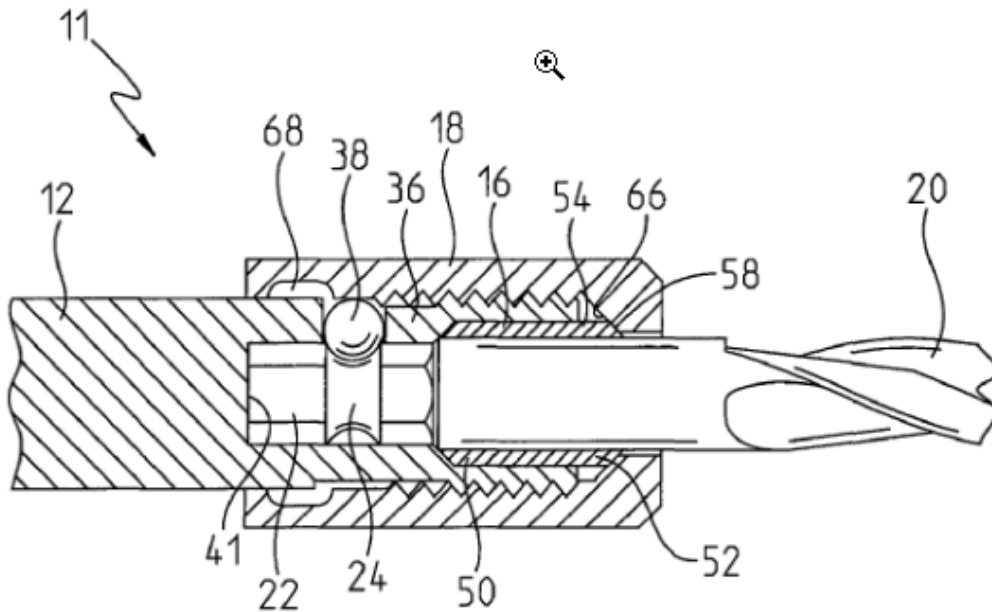
### Definition statement

*This place covers:*

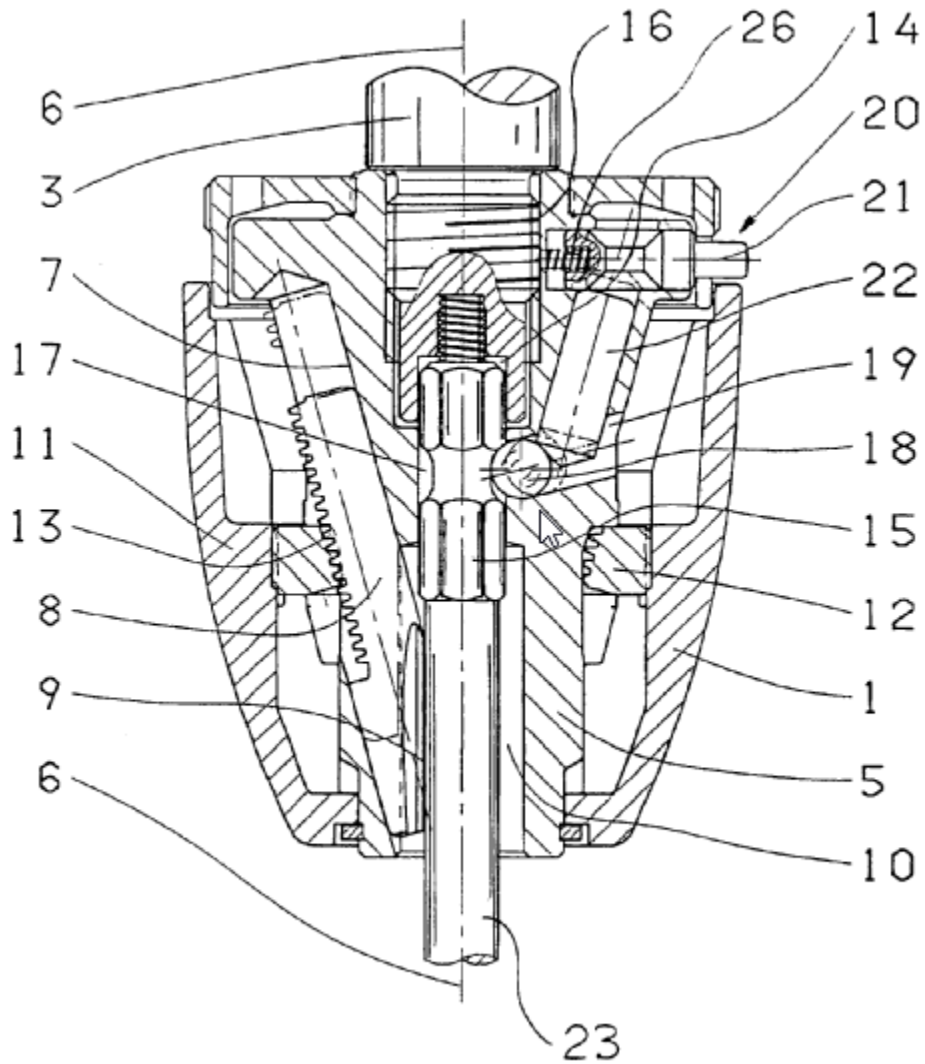
Illustrative examples of subject matter classified in this group.



Tool retaining or connecting device: bit detent ball: 17 and 38.



Bit holder Ball 38 and collet 16.



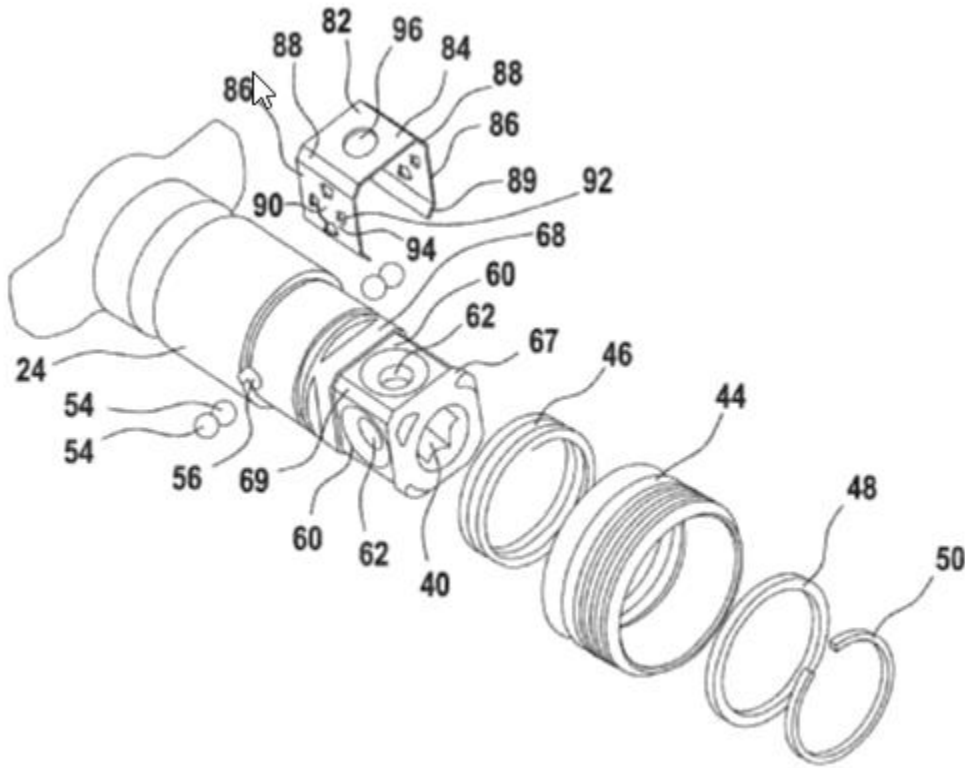
Drill for smooth and hex-shank bits. Jaws 8, ball 18.

## **B23B2231/565**

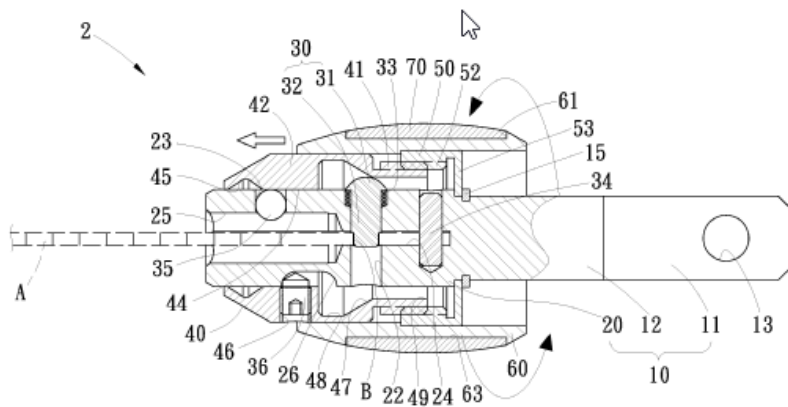
### **Definition statement**

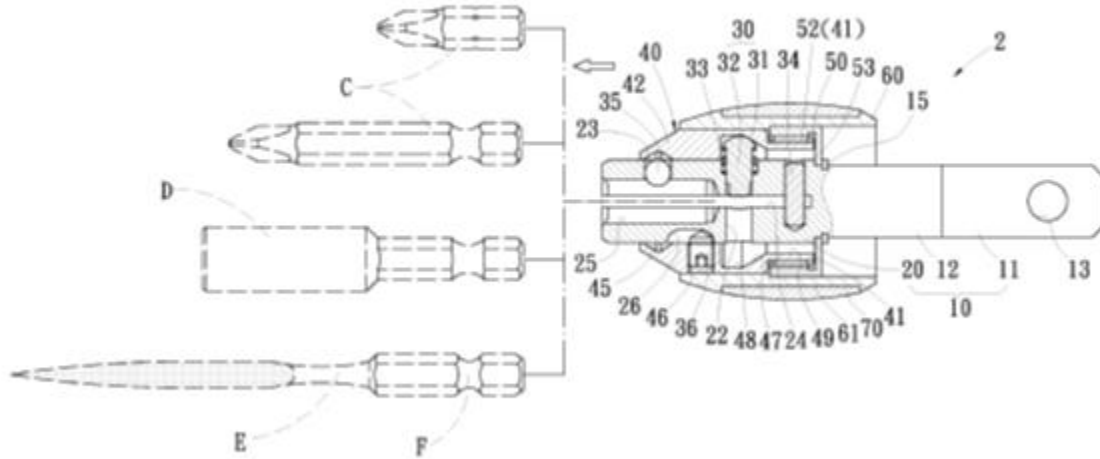
*This place covers:*

Illustrative examples of subject matter classified in this group.



Chucks; items 54 and 90.





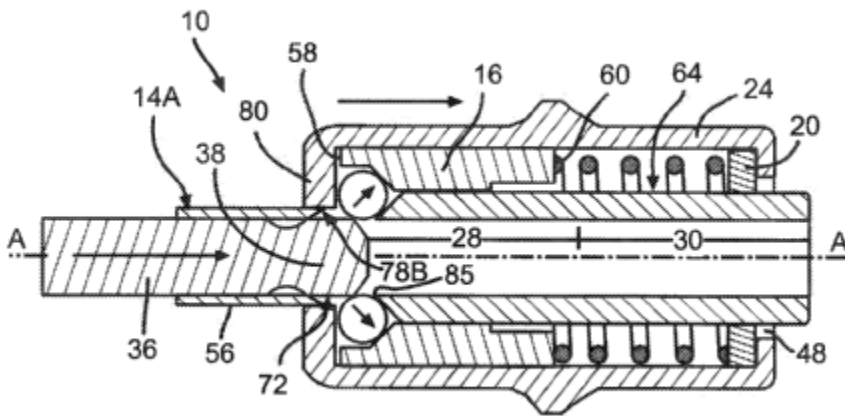
Note items 30 and 35 in both illustrations above.

## B23B2231/58

### Definition statement

*This place covers:*

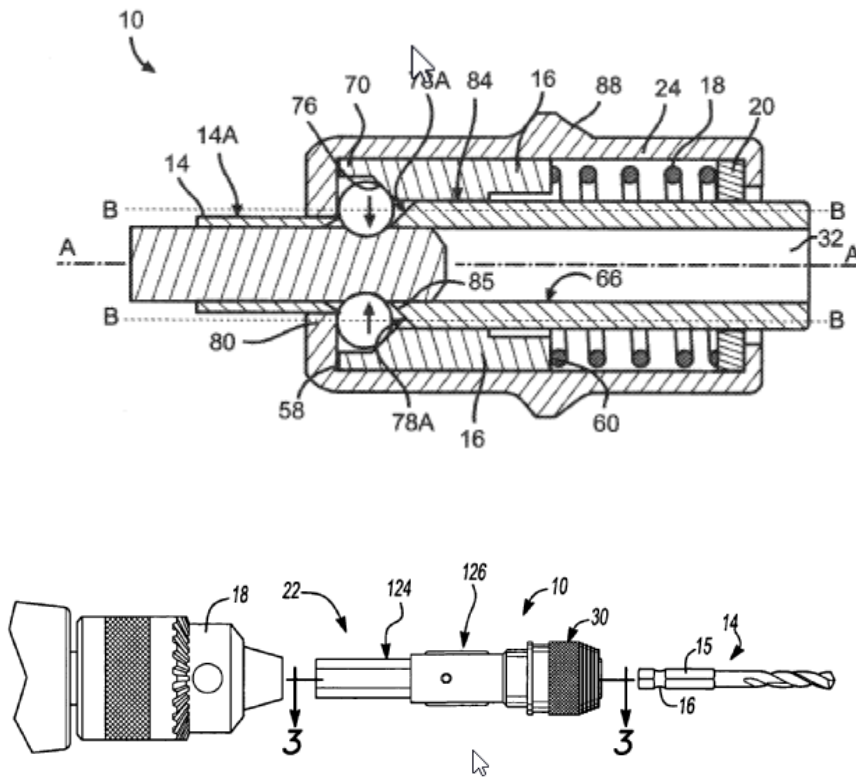
Illustrative examples of subject matter classified in this group.



CPC NOTICE OF CHANGES 1013

DATE: JANUARY 1, 2021

PROJECT RP0240

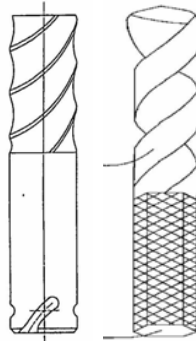


## 2. A. DEFINITIONS (modified)

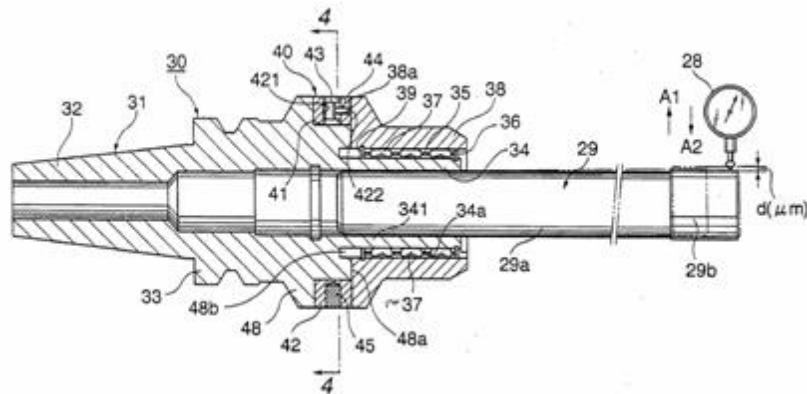
### B23B31/00

#### Definition statement

Delete: From the Definition statement section, the following images and the text associated with the images, as shown below.



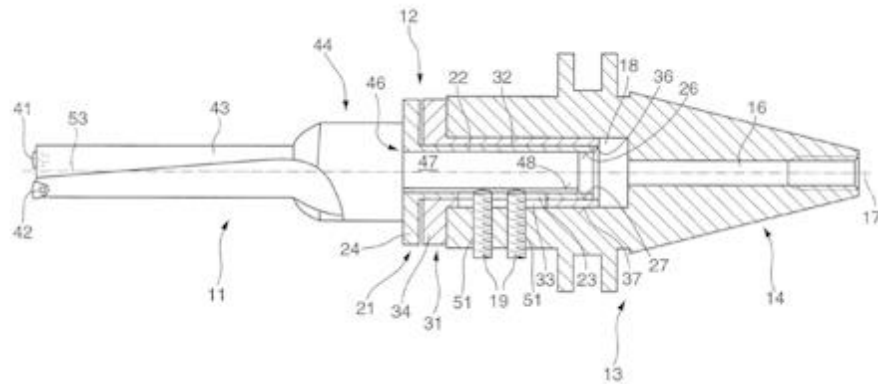
B23B 31/005 (and B23B 2231/026 for the groove and B23B 2231/0232 with B23B 2260/09 for the hexagonal knurled surface) cylindrical shanks of tools related to clamping not operation performed (Source: WO2007118626).



B23B 31/026 Chuck with adjustable angle of tool (Source: US2007053758).

DATE: JANUARY 1, 2021

PROJECT RP0240



B23B 31/026 Chuck with adjustable radial position of tool (compare with B23B 29/03403) (Source: DE 19736741).

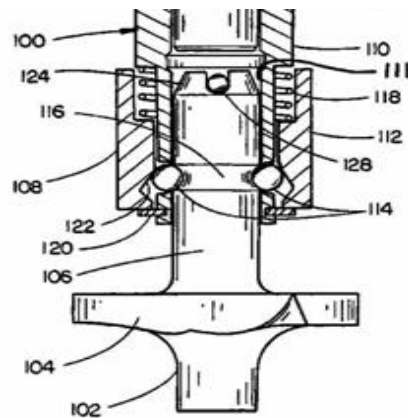
Replace: The text: “B23B 31/028 Chuck with axially movable stop (9) to set tool length (Source: EP 1529584)” with the following updated text.

B23B 31/028 Chuck with axially movable stop (9) to set tool length.

Replace: The text: “B23B 31/103 Chuck with pivotal element (42) (Source: DE 10 2005 043 319)” with the following updated text.

B23B31/103 Chuck with pivotal element (42).

Delete: The following three images and all text associated with each image.

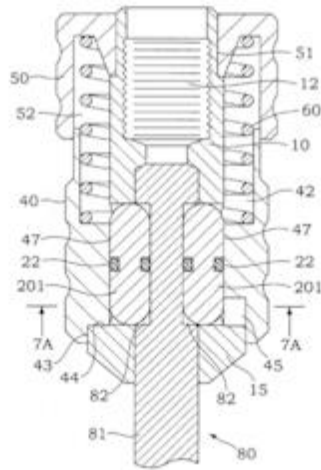


B23B 31/1071 Chuck with ball detents (114) (Source: US 7140817).

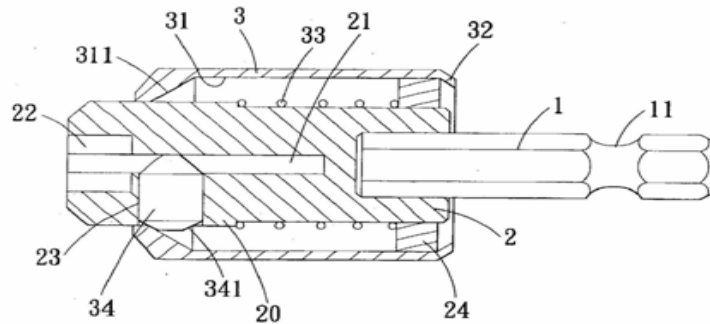


DATE: JANUARY 1, 2021

PROJECT RP0240



B23B 31/1072 Chuck with cylindrical detents (201) (Source: S2005/0285355).



B23B 31/1074 Chuck with pin detent (34) (Source: US 2004/0124593).

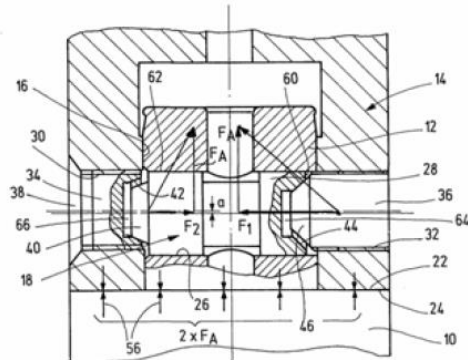
Replace: The text: “[B23B 31/1075](#) Chuck with screw detent (Source: DE 102004029047)” with the following text.

[B23B31/1075](#) Chuck with screw detent.

Replace: The text: “[B23B 31/1078](#) Chuck with laterally acting wedges (Source: GB 2026354)” with the following text.

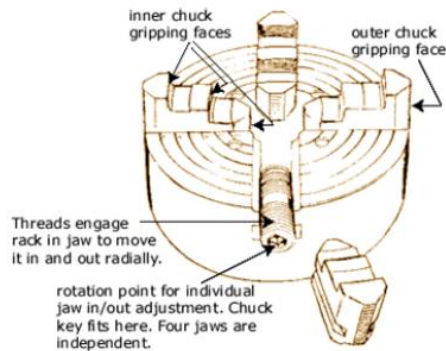
[B23B31/1078](#) Chuck with laterally acting wedges.

Delete: The following two images and the text under each image.



B23B 31/1077 Chuck (14) with screw detent (36) acting on floating pin (18)

(Source: WO/0251572).



B23B 31/101 Chuck with separately acting jaws movable radially  
(Source: unknown book).

Replace: The text: "B23B 31/113 Chuck with bayonet connection (Source: JP2003266230)" with the following text.

**B23B31/113** Chuck with bayonet connection.

CPC NOTICE OF CHANGES 1013

DATE: JANUARY 1, 2021

PROJECT RP0240

Replace: The text: "B23B 31/117 Chuck with spiral needle rollers retains by friction only (Source: EP 0904876)" with the following text.

[B23B31/117](#) Chuck with spiral needle rollers retains by friction only.

Replace: The text: "B23B 31/1179 Chuck for tools using heat shrink technique (Source: EP 1797983)" with the following text.

[B23B31/1179](#) Chuck for tools using heat shrink technique.

Replace: The text: "B23B 31/1246 and L23B231/38 Keyless chuck with inclined jaws activated by central bolt (18) with conical screw thread (Source: US 2001/0042965)" with the following text.

[B23B31/1246](#) and [B23B2231/38](#) Keyless chuck with inclined jaws activated by central bolt (18) with conical screw thread.

Replace: The text: "B23B 31/1253 and L23B231/38 chuck with inclined jaws (4) operated by an axially movable member (24)(Source: DE 102006050916) with the following text.

[B23B31/1253](#) and [B23B2231/38](#) chuck with inclined jaws (4) operated by an axially movable member (24).

Replace: The text: "B23B 31/117 Chuck with retention by friction only (Source: EP 1233848)" with the following text.

[B23B31/117](#) Chuck with retention by friction only.

Replace: The text: "B23B 31/1107 Chuck with threaded connection for conical parts (Source: 1424152)" with the following text.

[B23B31/1107](#) Chuck with threaded connection for conical parts.

DATE: JANUARY 1, 2021

PROJECT RP0240

Replace: The text: "B23B 31/16016 or B23B 31/16058 or B23B 31/16095 or B23B 31/16133 or B23B 31/1617 or B23B 31/16208 or B23B 31/16245 or B23B 31/16279 Chuck with radially acting jaws including special fixation of top jaws (2) onto master jaw (4) (Source: WO 03/047812)" with the following text.

[B23B31/16016](#) or [B23B31/16058](#) or [B23B31/16095](#) or [B23B31/16133](#) or [B23B31/1617](#) or [B23B31/16208](#) or [B23B31/16245](#) or [B23B31/16279](#) Chuck with radially acting jaws including special fixation of top jaws (2) onto master jaw (4).

Replace: The text: "B23B 31/16083 Chuck with radial jaws actuated simultaneously by gears and racks (Source: DE824341)" with the following text.

[B23B31/16083](#) Chuck with radial jaws actuated simultaneously by gears and racks.

Replace: The text: "B23B 31/1612 External chuck with radially acting jaws (69) actuated by cam (65) in radial plane. B23B 31/4093 (Source: WO 2005/099946)" with the following text.

[B23B31/1612](#) External chuck with radially acting jaws (69) actuated by cam (65) in radial plane. [B23B31/4093](#).

Replace: The text: "B23B 31/16045 Chuck with simultaneous radially acting jaws (4) actuated by an oblique rack (5, 7) (Source: EP 1270120)" with the following text.

[B23B31/16045](#) Chuck with simultaneous radially acting jaws (4) actuated by an oblique rack (5,7).

Replace: The text: "B23B 31/16195 & B23B 31/14 Chuck with radial jaws (22) actuated by levers (40) activated by coaxial control rod (42) with counterweights (16c) to counteract centrifugal force (Source: EP 1184111)" with the following text.

[B23B 31/16195](#) and [B23B 31/14](#) Chuck with radial jaws (22) actuated by levers (40) activated by coaxial control rod (42) with counterweights (16c) to counteract centrifugal force.

DATE: JANUARY 1, 2021

PROJECT RP0240

Replace: The text: “B23B31/16033 or B23B31/16075 or B23B31/16112 or B23B31/1615 or B23B31/16187 or B23B31/16225 or B23B31/16262 or B23B31/16283 or B23B31/16291 Chuck with radially acting jaws and a centre (84) (Source: US 3904214)” with the following text.

[B23B31/16033](#) or [B23B31/16075](#) or [B23B31/16112](#) or [B23B31/1615](#) or [B23B31/16187](#) or [B23B31/16225](#) or [B23B31/16262](#) or [B23B31/16283](#) or [B23B31/16291](#) Chuck with radially acting jaws and a centre (84).

Replace: The text: “B23B31/16045 Chuck with simultaneous radially acting jaws (5) actuated by screws and nuts (Source: FR 1421545)” with the following text.

[B23B31/16045](#) Chuck with simultaneous radially acting jaws (5) actuated by screws and nuts.

Replace: The text: “B23B31/16241 Chuck with jaws (4) actuated by oblique surfaces (11, 12) on coaxial control rod (3) with top jaws (4B) of special form (Source: WO 2007/018166)” with the following text.

[B23B31/16241](#) Chuck with jaws (4) actuated by oblique surfaces (11, 12) on coaxial control rod (3) with top jaws (4B) of special form.

Replace: The text: “B23B 31/16287 Chuck with simultaneously acting jaws (30) operated by fluid (12) (Source: WO 2007/035037)” with the following text.

[B23B 31/16287](#) Chuck with simultaneously acting jaws (30) operated by fluid (12).

Replace: The text: “B23B31/18 Chuck with simultaneously pivoting jaws (Source: US 6454278)” with the following text.

[B23B31/18](#) Chuck with simultaneously pivoting jaws.

Replace: The text: “B23B 31/201 Collet chuck characterised by its operating mechanism (Source: US 6601857)” with the following text.

[B23B 31/201](#) Collet chuck characterised by its operating mechanism.

Replace: The text: “B23B 31/22 Chuck with balls acting as jaws (not as detents B23B 31/1071) (Source: DE 102007060084)” with the following text.

[B23B 31/22](#) Chuck with balls acting as jaws (not as detents B23B 31/1071).

Replace: The text: “B23B31/261 Chuck using mechanical transmission through spindle (18) to grip end of toolholder shank (15) (Source: EP 1902800)” with the following text.

[B23B31/261](#) Chuck using mechanical transmission through spindle (18) to grip end of toolholder shank (15)

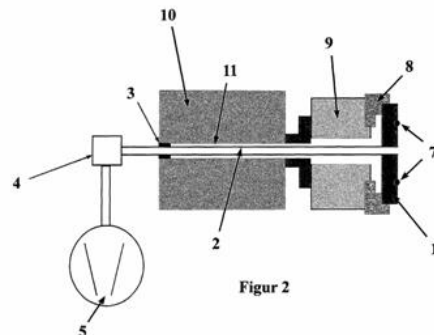
Replace: The text: “[B23B 31/302](#) Hydraulic equipment (110) for chucks (Source: FR 2869821)” with the following text.

[B23B 31/302](#) Hydraulic equipment (110) for chucks.

Replace: The text: “[B23B 31/305](#) Chuck with hydraulic clamping by deformable sleeve (Source: WO 01/45883)” with the following text.

[B23B31/305](#) Chuck with hydraulic clamping by deformable sleeve.

Delete: The following image and text.



[B23B 31/307](#) Vacuum chuck (Source: DE 29911289).

DATE: JANUARY 1, 2021

PROJECT RP0240

Replace: The text: “B23B 31/32 Chuck with diaphragm (14) (Source: US 5967528)” with the following text.

**B23B 31/32** Chuck with diaphragm (14).

Replace: The text: “B23B 31/34 Chuck enabling workpiece to be reversed (Source: US 5494303)” with the following text

**B23B 31/34** Chuck enabling workpiece to be reversed.

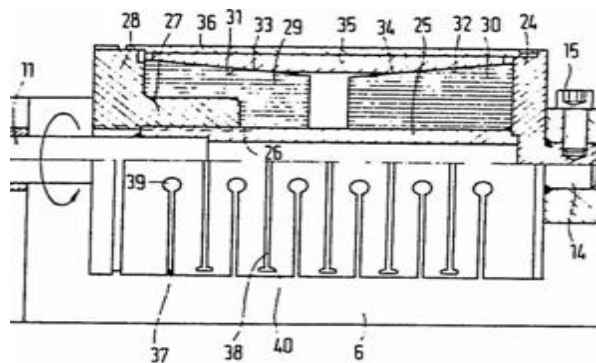
Replace: The text: “B23B 31/36 Chuck (13) with means (56,66) to offset the chuck with respect to the working spindle (60), (Source: DE 102006020274)” with the following text.

**B23B 31/36** Chuck (13) with means (56, 66) to offset the chuck with respect to the working spindle.

Replace: The text: “B23B 31/39 Chuck jaw changer (Source: EP 2065110)” with the following text.

**B23B 31/39** Chuck jaw changer.

Delete: The following image and text.



**B23B 31/4006** expansion mandrel with split sleeve (35). Note internal collets **B23B 31/201** (Source: DE 2648687).

DATE: JANUARY 1, 2021

PROJECT RP0240

Replace: The text: “Adjusting chucks relative to working spindle. Adjustment of work/tool relative to chuck B23B 31/026 or **02G**” with the following text.

Adjusting chucks relative to working spindle. Adjustment of work/tool relative to chuck [B23B 31/026](#).

Insert: The following new References/Limiting references section.

### References

### Limiting references

*This place does not cover:*

Allowing axial oscillation of percussion tool bits	<a href="#">B25D 17/08</a>
faceplates	<a href="#">B23Q 1/50</a>
Rotary devices holding by magnetic and/or electrical force acting directly on work	<a href="#">B23Q 3/152</a>



CPC NOTICE OF CHANGES 1013

DATE: JANUARY 1, 2021

PROJECT RP0240

3. REVISION CONCORDANCE LIST (RCL)

<b>Type*</b>	<b>From CPC Symbol (existing)</b>	<b>To CPC Symbol(s)</b>
C	B23B 31/00	B23B 31/00, B23B 2231/56, B23B 2231/565, B23B 2231/58
C	B23B 31/02	B23B 31/02, B23B 31/0261, B23B 2231/56, B23B 2231/565, B23B 2231/58
C	B23B 31/026	B23B 31/026, B23B 31/0261
C	B23B 31/107	B23B 31/107, B23B 31/1079
C	B23B 31/1072	B23B 31/1072, B23B 31/10741, B23B 31/1079
D	B23B 31/1074	<administrative transfer to B23B 31/1072>
C	B23B 31/14	B23B 31/14, B23B 31/141, B23B 31/142
C	B23B 31/20	B23B 31/20, B23B 31/2012, B23B 31/20125, B23B 31/2025, B23B 31/206, B23B 31/2072, B23B 31/2073
C	B23B 31/201	B23B 31/201, B23B 31/2012, B23B 31/20125, B23B 31/206, B23B 31/2072, B23B 31/2073
C	B23B 31/202	B23B 31/202, B23B 31/2025
D	B23B 31/205	<Administrative transfer to B23B 31/207>
C	B23B 31/207	B23B 31/207, B23B 31/2072, B23B 31/2073, B23B 2270/025, B23B 2270/027
C	B23B 2231/34	B23B 2231/34, B23B 2231/341, B23B 2231/342

\* C = entries with modified file scope where reclassification of documents from the entries is involved; Q = new entries which are firstly populated with documents via administrative transfers from deleted (D) entries. Afterwards, the transferred documents into the Q entry will either stay or be moved to more appropriate entries, as determined by intellectual reclassification; D = deleted entries; F = frozen entries will be deleted once reclassification of documents from the entries is completed.

NOTES:

- Only C, D, F, and Q type entries are included in the table above.
- When multiple symbols are included in the “To” column, do not use ranges of symbols.
- For administrative transfer of documents, the following text should be used: “< administrative transfer to XX>”, “<administrative transfer to XX and YY simultaneously>”, or “<administrative transfer to XX, YY ...and ZZ simultaneously>” when administrative transfer of the same documents is to more than one place.
- Administrative transfer to main trunk groups is assumed to be the source allocation type, unless otherwise indicated.
- Administrative transfer to 2000/Y series groups is assumed to be “additional information”.
- If needed, instructions for allocation type should be indicated within the angle brackets using the abbreviations “ADD” or “INV”: <administrative transfer to XX ADD>, <administrative transfer to XX INV>, or < administrative transfer to XX ADD, YY INV, ... and ZZ ADD simultaneously>.
- In certain situations, the “D” entries of 2000-series or Y-series groups may not require a destination (“To”) symbol, however it is required to specify “<no transfer>” in the “To” column for such cases.
- RCL is not needed for finalisation projects.

CPC NOTICE OF CHANGES 1013

DATE: JANUARY 1, 2021

PROJECT RP0240

4. CHANGES TO THE CPC-TO-IPC CONCORDANCE LIST (CICL)

<u>CPC</u>	<u>IPC</u>	<u>Action*</u>
B23B 31/0261	B23B 31/02	NEW
B23B 31/1074	B23B 31/107	DELETE
B23B 31/10741	B23B 31/107	NEW
B23B 31/1079	B23B 31/107	NEW
B23B 31/141	B23B 31/14	NEW
B23B 31/142	B23B 31/14	NEW
B23B 31/2012	B23B 31/20	NEW
B23B 31/20125	B23B 31/20	NEW
B23B 31/2025	B23B 31/20	NEW
B23B 31/205	B23B 31/20	DELETE
B23B 31/206	B23B 31/20	NEW
B23B 31/2072	B23B 31/20	NEW
B23B 31/2073	B23B 31/20	NEW
B23B 2231/341	CPCONLY	NEW
B23B 2231/342	CPCONLY	NEW
B23B 2231/56	CPCONLY	NEW
B23B 2231/565	CPCONLY	NEW
B23B 2231/58	CPCONLY	NEW

\*Action column:

- For an (N) or (Q) entry, provide an IPC symbol and complete the Action column with “NEW.”
- For an existing CPC main trunk entry or indexing entry where the existing IPC symbol needs to be changed, provide an updated IPC symbol and complete the Action column with “UPDATED.”
- For a (D) CPC entry or indexing entry complete the Action column with “DELETE.” IPC symbol does not need to be included in the IPC column.
- For an (N) 2000 series CPC entry which is positioned within the main trunk scheme (breakdown code) provide an IPC symbol and complete the action column with “NEW”.
- For an (N) 2000 series CPC entry positioned at the end of the CPC scheme (orthogonal code), with no IPC equivalent, complete the IPC column with “CPCONLY” and complete the action column with “NEW”.

NOTES:

- F symbols are not included in the CICL table above.
- T and M symbols are not included in the CICL table above unless a change to the existing IPC is desired.