

EUROPEAN PATENT OFFICE
U.S. PATENT AND TRADEMARK OFFICE

CPC NOTICE OF CHANGES 1077

DATE: MAY 1, 2021

PROJECT RP0241

The following classification changes will be effected by this Notice of Changes:

<u>Action</u>	<u>Subclass</u>	<u>Group(s)</u>
SCHEME:		
Symbols Deleted:	F16B	45/025
Symbols Deleted Pending Reclassification: (frozen (F))	Y10T	24/45272, 24/45277, 24/45283, 24/45288, 24/45293, 24/45298, 24/45304, 24/45309, 24/45314, 24/45319, 24/45325, 24/4533, 24/45335, 24/4534, 24/45346, 24/45351, 24/45356, 24/45361, 24/45366, 24/45372, 24/45377, 24/45382, 24/45387, 24/45393, 24/45398, 24/45403, 24/45408, 24/45414, 24/45419, 24/45424, 24/45429, 24/45435, 24/4544, 24/45445, 24/4545, 24/45455
Symbols New:	F16B	45/002, 45/005, 45/008, 45/012, 45/015, 45/021, 45/022, 45/023, 45/024, 45/026, 45/027, 45/028, 45/029, 45/031, 45/032, 45/033, 45/034, 45/035, 45/036, 45/037, 45/043, 45/045, 45/047, 45/049, 45/051, 45/053, 45/055, 45/057, 45/059
Titles Changed:	F16B	45/02, 45/04, 45/06
	F16G	11/14
Warnings New:	F16B	45/00, 45/002, 45/005, 45/02, 45/021, 45/022, 45/023, 45/024, 45/027, 45/031, 45/032, 45/033, 45/034, 45/035, 45/036, 45/037, 45/04, 45/043, 45/045, 45/049, 45/051, 45/053, 45/055, 45/057, 45/059
	Y10T	24/45272, 24/4764
DEFINITIONS:		
Definitions Deleted:	F16B	45/025
Definitions New:	F16B	45/002, 45/008, 45/012, 45/015, 45/021, 45/022, 45/023, 45/024, 45/026, 45/027, 45/028, 45/029, 45/031, 45/032, 45/033, 45/034, 45/035, 45/036, 45/037, 45/043, 45/045, 45/047, 45/049, 45/051, 45/053, 45/055, 45/057, 45/059
Definitions Modified:	F16B	45/00, 45/02, 45/04, 45/06
	F16G	11/14

No other subclasses/groups are impacted by this Notice of Changes.

CPC NOTICE OF CHANGES 1077

DATE: MAY 1, 2021

PROJECT RP0241

This Notice of Changes includes the following *[Check the ones included]:*

1. CLASSIFICATION SCHEME CHANGES

- A. New, Modified or Deleted Group(s)
- B. New, Modified or Deleted Warning(s)
- C. New, Modified or Deleted Note(s)
- D. New, Modified or Deleted Guidance Heading(s)

2. DEFINITIONS

- A. New or Modified Definitions (Full definition template)
- B. Modified or Deleted Definitions (Definitions Quick Fix)

3. REVISION CONCORDANCE LIST (RCL)

4. CHANGES TO THE CPC-TO-IPC CONCORDANCE LIST (CICL)

5. CHANGES TO THE CROSS-REFERENCE LIST (CRL)

CPC NOTICE OF CHANGES 1077

DATE: MAY 1, 2021

PROJECT RP0241

1. CLASSIFICATION SCHEME CHANGES

A. New, Modified or Deleted Group(s)

SUBCLASS F16B – DEVICES FOR FASTENING OR SECURING CONSTRUCTIONAL ELEMENTS OR MACHINE PARTS TOGETHER, e.g. NAILS, BOLTS, CIRCLIPS, CLAMPS, CLIPS, WEDGES, JOINTS OR JOINTING

<u>Type*</u>	<u>Symbol</u>	<u>Indent Level Number of dots (e.g. 0, 1, 2)</u>	<u>Title</u> “CPC only” text should normally be enclosed in {curly brackets}**	<u>Transferred to#</u>
C	F16B45/00	0	Hooks; Eyes (if the attaching parts or means are concerned, groups F16B 13/00, F16B 15/00, F16B 19/00, F16B 25/00, F16B 35/00, F16B 47/00 take precedence; for hanging pictures or the like A47G 1/16; towing hooks for ships B63B 21/58; for hoisting or hauling purposes B66C; hooks or eyes with integral parts designed to facilitate quick attachment to cables or ropes at any point F16G 11/14)	F16B45/00, F16B45/002, F16B45/005, F16B45/008, F16B45/012, F16B45/015
N	F16B45/002	1	{Eyes }	
N	F16B45/005	1	{ characterised by the material }	
N	F16B45/008	2	{ plastics }	
N	F16B45/012	2	{ wire }	
N	F16B45/015	2	{ sheet metal }	
C	F16B45/02	1	Hooks with pivoting {or elastically bending} closing member	F16B45/02, F16B45/005, F16B45/008, F16B45/012, F16B45/015, F16B45/021, F16B45/022, F16B45/023, F16B45/024, F16B45/026, F16B45/027, F16B45/028, F16B45/029, F16B45/031, F16B45/032, F16B45/033, F16B45/034, F16B45/035, F16B45/036, F16B45/037
Q	F16B45/021	2	{the closing member being operable remotely, e.g. by cables, chains or rods }	F16B45/021, F16B45/005, F16B45/008, F16B45/012, F16B45/015, F16B45/022, F16B45/023, F16B45/024, F16B45/026, F16B 45/027, F16B 45/028, F16B 45/029, F16B 45/031, F16B 45/032, F16B 45/033, F16B 45/034,

CPC NOTICE OF CHANGES 1077

DATE: MAY 1, 2021

PROJECT RP0241

<u>Type*</u>	<u>Symbol</u>	<u>Indent Level Number of dots (e.g. 0, 1, 2)</u>	<u>Title</u> <u>“CPC only” text should normally be enclosed in {curly brackets}**</u>	<u>Transferred to#</u>
				F16B 45/035, F16B 45/036, F16B45/043
N	F16B45/022	2	{the closing member pivoting about an axis lying in the plane of the hook}	
N	F16B45/023	2	{the closing member pivoting about an axis perpendicular to the plane of the hook}	
N	F16B45/024	2	{and having means biasing the closing member about the pivot}	
D	F16B45/025	2	{manoeuvrable remotely with a cable, chain, rod or the like}	<administrative transfer to F16B45/021>
N	F16B45/026	3	{and including a coil type spring}	
N	F16B45/027	2	{and having position-locking means for the closing member}	
N	F16B45/028	3	{the position-locking means being pivotally connected}	
N	F16B45/029	3	{the position-locking means being slidably mounted}	
N	F16B45/031	2	{the closing member closing when a structure to be secured is tensioned}	
N	F16B45/032	2	{whereby the closing member is slidable relative to the pivot}	
N	F16B45/033	2	{the closing member being revolvably mounted and having a disc shape}	
N	F16B45/034	2	{the closing member constituting the hook shaped portion of the hook}	
N	F16B45/035	2	{the hook forming a loop or ring when interlocked with the closing member, i.e. the entire structure of the hook being loop shaped}	
N	F16B45/036	2	{with an elastically bending closing member}	
N	F16B45/037	2	{Multiple locking cavities, each having a pivoting closing member}	
C	F16B45/04	1	Hooks with sliding closing member	F16B45/04, F16B45/005, F16B45/008, F16B45/012, F16B45/015, F16B45/043, F16B45/045, F16B45/047, F16B45/049, F16B45/051, F16B45/053, F16B45/055, F16B45/057, F16B 45/059
N	F16B45/043	2	{the closing member being operable remotely, e.g. by cables, chains or rods}	

CPC NOTICE OF CHANGES 1077

DATE: MAY 1, 2021

PROJECT RP0241

<u>Type*</u>	<u>Symbol</u>	<u>Indent Level Number of dots (e.g. 0, 1, 2)</u>	<u>Title</u> <u>“CPC only” text should normally be enclosed in {curly brackets}**</u>	<u>Transferred to#</u>
N	F16B45/045	2	{provided with position-locking means for the closing member}	
N	F16B45/047	3	{in the form of a threaded closing member}	
N	F16B45/049	2	{provided with means biasing the closing member}	
N	F16B45/051	2	{provided with a guide of the closing member encircling a shank of the hook}	
N	F16B45/053	2	{provided with a cavity in a shank of the hook forming a track or way for the closing member}	
N	F16B45/055	2	{the closing member constituting the hook-shaped portion of the hook}	
N	F16B45/057	2	{the hook forming a loop or ring when interlocked with the closing member, i.e. the entire structure of the hook being loop shaped}	
N	F16B45/059	2	{Multiple locking cavities, each having a sliding closing member}	
T	F16B45/06	1	Hooks with two symmetrically-pivoting hook parts { within the same locking cavity (F16B 45/035 takes precedence)}	

SUBCLASS F16G – BELTS, CABLES, OR ROPES, PREDOMINANTLY USED FOR DRIVING PURPOSES; CHAINS; FITTINGS PREDOMINANTLY USED THEREFOR

<u>Type*</u>	<u>Symbol</u>	<u>Indent Level Number of dots (e.g. 0, 1, 2)</u>	<u>Title</u> <u>“CPC only” text should normally be enclosed in {curly brackets}**</u>	<u>Transferred to#</u>
M	F16G 11/14	1	Devices or coupling-pieces designed for easy formation of adjustable loops, e.g. choker hooks; Hooks or eyes with integral parts designed to facilitate quick attachment to cables or ropes at any point, e.g. by forming loops	

CPC NOTICE OF CHANGES 1077

DATE: MAY 1, 2021

PROJECT RP0241

SUBCLASS Y10T – TECHNICAL SUBJECTS COVERED BY FORMER US CLASSIFICATION

<u>Type*</u>	<u>Symbol</u>	<u>Indent Level Number of dots (e.g. 0, 1, 2)</u>	<u>Title</u> “CPC only” text should normally be enclosed in {curly brackets}**	<u>Transferred to#</u>
F	Y10T24/45272	3	Projection passes through cavity then moves toward noninserted portion of its member to complete interlock [e.g., snap hook]	F16B45/00, F16B45/002, F16B45/005, F16B45/008, F16B45/012, F16B45/015, F16B45/02, F16B45/021, F16B45/022, F16B45/023, F16B45/024, F16B45/026, F16B45/027, F16B45/028, F16B45/029, F16B45/031, F16B45/032, F16B45/033, F16B45/034, F16B45/035, F16B45/036, F16B45/037, F16B45/04, F16B45/043, F16B45/045, F16B45/047, F16B45/049, F16B45/051, F16B45/053, F16B45/055, F16B45/057, F16B45/059, F16B45/06
F	Y10T24/45277	4	Entire projection member forms loop or ring when interlocked	F16B45/00, F16B45/002, F16B45/005, F16B45/008, F16B45/012, F16B45/015, F16B45/02, F16B45/021, F16B45/022, F16B45/023, F16B45/024, F16B45/026, F16B45/027, F16B45/028, F16B45/029, F16B45/031, F16B45/032, F16B45/033, F16B45/034, F16B45/035, F16B45/036, F16B45/037, F16B45/04, F16B45/043, F16B45/045, F16B45/047, F16B45/049, F16B45/051, F16B45/053, F16B45/055, F16B45/057, F16B45/059, F16B45/06
F	Y10T24/45283	5	Includes slidable gate closing entrance throat	F16B45/00, F16B45/002, F16B45/005, F16B45/008, F16B45/012, F16B45/015, F16B45/02, F16B45/021, F16B45/022, F16B45/023, F16B45/024, F16B45/026, F16B45/027, F16B45/028, F16B45/029, F16B45/031, F16B45/032, F16B45/033,

CPC NOTICE OF CHANGES 1077

DATE: MAY 1, 2021

PROJECT RP0241

<u>Type*</u>	<u>Symbol</u>	<u>Indent Level Number of dots (e.g. 0, 1, 2)</u>	<u>Title</u> “CPC only” text should normally be enclosed in {curly brackets}**	<u>Transferred to#</u>
				F16B45/034, F16B45/035, F16B45/036, F16B45/037, F16B45/04, F16B45/043, F16B45/045, F16B45/047, F16B45/049, F16B45/051, F16B45/053, F16B45/055, F16B45/057, F16B45/059, F16B45/06
F	Y10T24/45288	4	Hook type projection member	F16B45/00, F16B45/002, F16B45/005, F16B45/008, F16B45/012, F16B45/015, F16B45/02, F16B45/021, F16B45/022, F16B45/023, F16B45/024, F16B45/026, F16B45/027, F16B45/028, F16B45/029, F16B45/031, F16B45/032, F16B45/033, F16B45/034, F16B45/035, F16B45/036, F16B45/037, F16B45/04, F16B45/043, F16B45/045, F16B45/047, F16B45/049, F16B45/051, F16B45/053, F16B45/055, F16B45/057, F16B45/059, F16B45/06
F	Y10T24/45293	5	Plural hooks entering opposite sides of same cavity	F16B45/00, F16B45/002, F16B45/005, F16B45/008, F16B45/012, F16B45/015, F16B45/02, F16B45/021, F16B45/022, F16B45/023, F16B45/024, F16B45/026, F16B45/027, F16B45/028, F16B45/029, F16B45/031, F16B45/032, F16B45/033, F16B45/034, F16B45/035, F16B45/036, F16B45/037, F16B45/04, F16B45/043, F16B45/045, F16B45/047, F16B45/049, F16B45/051, F16B45/053, F16B45/055, F16B45/057, F16B45/059, F16B45/06
F	Y10T24/45298	6	Hooks formed solely from wire	F16B45/00, F16B45/002, F16B45/005, F16B45/008, F16B45/012, F16B45/015,

CPC NOTICE OF CHANGES 1077

DATE: MAY 1, 2021

PROJECT RP0241

<u>Type*</u>	<u>Symbol</u>	<u>Indent Level Number of dots (e.g. 0, 1, 2)</u>	<u>Title</u> “CPC only” text should normally be enclosed in {curly brackets}**	<u>Transferred to#</u>
				F16B45/02, F16B45/021, F16B45/022, F16B45/023, F16B45/024, F16B45/026, F16B45/027, F16B45/028, F16B45/029, F16B45/031, F16B45/032, F16B45/033, F16B45/034, F16B45/035, F16B45/036, F16B45/037, F16B45/04, F16B45/043, F16B45/045, F16B45/047, F16B45/049, F16B45/051, F16B45/053, F16B45/055, F16B45/057, F16B45/059, F16B45/06
F	Y10T24/45304	5	Noninserted portion of projection member includes movably connected gate for closing access throat	F16B45/00, F16B45/002, F16B45/005, F16B45/008, F16B45/012, F16B45/015, F16B45/02, F16B45/021, F16B45/022, F16B45/023, F16B45/024, F16B45/026, F16B45/027, F16B45/028, F16B45/029, F16B45/031, F16B45/032, F16B45/033, F16B45/034, F16B45/035, F16B45/036, F16B45/037, F16B45/04, F16B45/043, F16B45/045, F16B45/047, F16B45/049, F16B45/051, F16B45/053, F16B45/055, F16B45/057, F16B45/059, F16B45/06
F	Y10T24/45309	6	Threaded gate	F16B45/00, F16B45/002, F16B45/005, F16B45/008, F16B45/012, F16B45/015, F16B45/02, F16B45/021, F16B45/022, F16B45/023, F16B45/024, F16B45/026, F16B45/027, F16B45/028, F16B45/029, F16B45/031, F16B45/032, F16B45/033, F16B45/034, F16B45/035, F16B45/036, F16B45/037, F16B45/04, F16B45/043, F16B45/045, F16B45/047, F16B45/049, F16B45/051,

CPC NOTICE OF CHANGES 1077

DATE: MAY 1, 2021

PROJECT RP0241

<u>Type*</u>	<u>Symbol</u>	<u>Indent Level Number of dots (e.g. 0, 1, 2)</u>	<u>Title</u> “CPC only” text should normally be enclosed in {curly brackets}**	<u>Transferred to#</u>
				F16B45/053, F16B45/055, F16B45/057, F16B45/059, F16B45/06
F	Y10T24/45314	6	Revolvably mounted disc shaped gate	F16B45/00, F16B45/002, F16B45/005, F16B45/008, F16B45/012, F16B45/015, F16B45/02, F16B45/021, F16B45/022, F16B45/023, F16B45/024, F16B45/026, F16B45/027, F16B45/028, F16B45/029, F16B45/031, F16B45/032, F16B45/033, F16B45/034, F16B45/035, F16B45/036, F16B45/037, F16B45/04, F16B45/043, F16B45/045, F16B45/047, F16B45/049, F16B45/051, F16B45/053, F16B45/055, F16B45/057, F16B45/059, F16B45/06
F	Y10T24/45319	6	Pivotaly connected gate	F16B45/00, F16B45/002, F16B45/005, F16B45/008, F16B45/012, F16B45/015, F16B45/02, F16B45/021, F16B45/022, F16B45/023, F16B45/024, F16B45/026, F16B45/027, F16B45/028, F16B45/029, F16B45/031, F16B45/032, F16B45/033, F16B45/034, F16B45/035, F16B45/036, F16B45/037, F16B45/04, F16B45/043, F16B45/045, F16B45/047, F16B45/049, F16B45/051, F16B45/053, F16B45/055, F16B45/057, F16B45/059, F16B45/06
F	Y10T24/45325	7	Gate swings transversely to plane of hook	F16B45/00, F16B45/002, F16B45/005, F16B45/008, F16B45/012, F16B45/015, F16B45/02, F16B45/021, F16B45/022, F16B45/023, F16B45/024, F16B45/026, F16B45/027, F16B45/028, F16B45/029, F16B45/031,

CPC NOTICE OF CHANGES 1077

DATE: MAY 1, 2021

PROJECT RP0241

<u>Type*</u>	<u>Symbol</u>	<u>Indent Level Number of dots (e.g. 0, 1, 2)</u>	<u>Title</u> “CPC only” text should normally be enclosed in {curly brackets}**	<u>Transferred to#</u>
				F16B45/032, F16B45/033, F16B45/034, F16B45/035, F16B45/036, F16B45/037, F16B45/04, F16B45/043, F16B45/045, F16B45/047, F16B45/049, F16B45/051, F16B45/053, F16B45/055, F16B45/057, F16B45/059, F16B45/06
F	Y10T24/4533	7	Gate also slides relative to pivot	F16B45/00, F16B45/002, F16B45/005, F16B45/008, F16B45/012, F16B45/015, F16B45/02, F16B45/021, F16B45/022, F16B45/023, F16B45/024, F16B45/026, F16B45/027, F16B45/028, F16B45/029, F16B45/031, F16B45/032, F16B45/033, F16B45/034, F16B45/035, F16B45/036, F16B45/037, F16B45/04, F16B45/043, F16B45/045, F16B45/047, F16B45/049, F16B45/051, F16B45/053, F16B45/055, F16B45/057, F16B45/059, F16B45/06
F	Y10T24/45335	7	having means biasing gate about pivot	F16B45/00, F16B45/002, F16B45/005, F16B45/008, F16B45/012, F16B45/015, F16B45/02, F16B45/021, F16B45/022, F16B45/023, F16B45/024, F16B45/026, F16B45/027, F16B45/028, F16B45/029, F16B45/031, F16B45/032, F16B45/033, F16B45/034, F16B45/035, F16B45/036, F16B45/037, F16B45/04, F16B45/043, F16B45/045, F16B45/047, F16B45/049, F16B45/051, F16B45/053, F16B45/055, F16B45/057, F16B45/059, F16B45/06
F	Y10T24/4534	8	and position locking-means for gate	F16B45/00, F16B45/002, F16B45/005, F16B45/008,

CPC NOTICE OF CHANGES 1077

DATE: MAY 1, 2021

PROJECT RP0241

<u>Type*</u>	<u>Symbol</u>	<u>Indent Level Number of dots (e.g. 0, 1, 2)</u>	<u>Title</u> “CPC only” text should normally be enclosed in {curly brackets}**	<u>Transferred to#</u>
				F16B45/012, F16B45/015, F16B45/02, F16B45/021, F16B45/022, F16B45/023, F16B45/024, F16B45/026, F16B45/027, F16B45/028, F16B45/029, F16B45/031, F16B45/032, F16B45/033, F16B45/034, F16B45/035, F16B45/036, F16B45/037, F16B45/04, F16B45/043, F16B45/045, F16B45/047, F16B45/049, F16B45/051, F16B45/053, F16B45/055, F16B45/057, F16B45/059, F16B45/06
F	Y10T24/45346	8	Includes distinct biasing spring	F16B45/00, F16B45/002, F16B45/005, F16B45/008, F16B45/012, F16B45/015, F16B45/02, F16B45/021, F16B45/022, F16B45/023, F16B45/024, F16B45/026, F16B45/027, F16B45/028, F16B45/029, F16B45/031, F16B45/032, F16B45/033, F16B45/034, F16B45/035, F16B45/036, F16B45/037, F16B45/04, F16B45/043, F16B45/045, F16B45/047, F16B45/049, F16B45/051, F16B45/053, F16B45/055, F16B45/057, F16B45/059, F16B45/06
F	Y10T24/45351	9	Coil type spring	F16B45/00, F16B45/002, F16B45/005, F16B45/008, F16B45/012, F16B45/015, F16B45/02, F16B45/021, F16B45/022, F16B45/023, F16B45/024, F16B45/026, F16B45/027, F16B45/028, F16B45/029, F16B45/031, F16B45/032, F16B45/033, F16B45/034, F16B45/035, F16B45/036, F16B45/037, F16B45/04, F16B45/043, F16B45/045, F16B45/047,

CPC NOTICE OF CHANGES 1077

DATE: MAY 1, 2021

PROJECT RP0241

<u>Type*</u>	<u>Symbol</u>	<u>Indent Level Number of dots (e.g. 0, 1, 2)</u>	<u>Title</u> <u>“CPC only” text should normally be enclosed in {curly brackets}**</u>	<u>Transferred to#</u>
				F16B45/049, F16B45/051, F16B45/053, F16B45/055, F16B45/057, F16B45/059, F16B45/06
F	Y10T24/45356	10	Coiled about pivotal axis of gate	F16B45/00, F16B45/002, F16B45/005, F16B45/008, F16B45/012, F16B45/015, F16B45/02, F16B45/021, F16B45/022, F16B45/023, F16B45/024, F16B45/026, F16B45/027, F16B45/028, F16B45/029, F16B45/031, F16B45/032, F16B45/033, F16B45/034, F16B45/035, F16B45/036, F16B45/037, F16B45/04, F16B45/043, F16B45/045, F16B45/047, F16B45/049, F16B45/051, F16B45/053, F16B45/055, F16B45/057, F16B45/059, F16B45/06
F	Y10T24/45361	7	having position locking-means for gate	F16B45/00, F16B45/002, F16B45/005, F16B45/008, F16B45/012, F16B45/015, F16B45/02, F16B45/021, F16B45/022, F16B45/023, F16B45/024, F16B45/026, F16B45/027, F16B45/028, F16B45/029, F16B45/031, F16B45/032, F16B45/033, F16B45/034, F16B45/035, F16B45/036, F16B45/037, F16B45/04, F16B45/043, F16B45/045, F16B45/047, F16B45/049, F16B45/051, F16B45/053, F16B45/055, F16B45/057, F16B45/059, F16B45/06
F	Y10T24/45366	8	Locking-means pivotally connected	F16B45/00, F16B45/002, F16B45/005, F16B45/008, F16B45/012, F16B45/015, F16B45/02, F16B45/021, F16B45/022, F16B45/023, F16B45/024, F16B45/026, F16B45/027, F16B45/028,

CPC NOTICE OF CHANGES 1077

DATE: MAY 1, 2021

PROJECT RP0241

<u>Type*</u>	<u>Symbol</u>	<u>Indent Level Number of dots (e.g. 0, 1, 2)</u>	<u>Title</u> <u>“CPC only” text should normally be enclosed in {curly brackets}**</u>	<u>Transferred to#</u>
				F16B45/029, F16B45/031, F16B45/032, F16B45/033, F16B45/034, F16B45/035, F16B45/036, F16B45/037, F16B45/04, F16B45/043, F16B45/045, F16B45/047, F16B45/049, F16B45/051, F16B45/053, F16B45/055, F16B45/057, F16B45/059, F16B45/06
F	Y10T24/45372	8	Locking-means slidably mounted	F16B45/00, F16B45/002, F16B45/005, F16B45/008, F16B45/012, F16B45/015, F16B45/02, F16B45/021, F16B45/022, F16B45/023, F16B45/024, F16B45/026, F16B45/027, F16B45/028, F16B45/029, F16B45/031, F16B45/032, F16B45/033, F16B45/034, F16B45/035, F16B45/036, F16B45/037, F16B45/04, F16B45/043, F16B45/045, F16B45/047, F16B45/049, F16B45/051, F16B45/053, F16B45/055, F16B45/057, F16B45/059, F16B45/06
F	Y10T24/45377	7	Gate closes when structure-to-be-secured is tensioned	F16B45/00, F16B45/002, F16B45/005, F16B45/008, F16B45/012, F16B45/015, F16B45/02, F16B45/021, F16B45/022, F16B45/023, F16B45/024, F16B45/026, F16B45/027, F16B45/028, F16B45/029, F16B45/031, F16B45/032, F16B45/033, F16B45/034, F16B45/035, F16B45/036, F16B45/037, F16B45/04, F16B45/043, F16B45/045, F16B45/047, F16B45/049, F16B45/051, F16B45/053, F16B45/055, F16B45/057, F16B45/059, F16B45/06

CPC NOTICE OF CHANGES 1077

DATE: MAY 1, 2021

PROJECT RP0241

<u>Type*</u>	<u>Symbol</u>	<u>Indent Level Number of dots (e.g. 0, 1, 2)</u>	<u>Title</u> “CPC only” text should normally be enclosed in {curly brackets}**	<u>Transferred to#</u>
F	Y10T24/45382	6	Track or way guided gate	F16B45/00, F16B45/002, F16B45/005, F16B45/008, F16B45/012, F16B45/015, F16B45/02, F16B45/021, F16B45/022, F16B45/023, F16B45/024, F16B45/026, F16B45/027, F16B45/028, F16B45/029, F16B45/031, F16B45/032, F16B45/033, F16B45/034, F16B45/035, F16B45/036, F16B45/037, F16B45/04, F16B45/043, F16B45/045, F16B45/047, F16B45/049, F16B45/051, F16B45/053, F16B45/055, F16B45/057, F16B45/059, F16B45/06
F	Y10T24/45387	7	having means biasing gate	F16B45/00, F16B45/002, F16B45/005, F16B45/008, F16B45/012, F16B45/015, F16B45/02, F16B45/021, F16B45/022, F16B45/023, F16B45/024, F16B45/026, F16B45/027, F16B45/028, F16B45/029, F16B45/031, F16B45/032, F16B45/033, F16B45/034, F16B45/035, F16B45/036, F16B45/037, F16B45/04, F16B45/043, F16B45/045, F16B45/047, F16B45/049, F16B45/051, F16B45/053, F16B45/055, F16B45/057, F16B45/059, F16B45/06
F	Y10T24/45393	8	Guide of gate encircles shank	F16B45/00, F16B45/002, F16B45/005, F16B45/008, F16B45/012, F16B45/015, F16B45/02, F16B45/021, F16B45/022, F16B45/023, F16B45/024, F16B45/026, F16B45/027, F16B45/028, F16B45/029, F16B45/031, F16B45/032, F16B45/033, F16B45/034, F16B45/035, F16B45/036, F16B45/037,

CPC NOTICE OF CHANGES 1077

DATE: MAY 1, 2021

PROJECT RP0241

<u>Type*</u>	<u>Symbol</u>	<u>Indent Level Number of dots (e.g. 0, 1, 2)</u>	<u>Title</u> “CPC only” text should normally be enclosed in {curly brackets}**	<u>Transferred to#</u>
				F16B45/04, F16B45/043, F16B45/045, F16B45/047, F16B45/049, F16B45/051, F16B45/053, F16B45/055, F16B45/057, F16B45/059, F16B45/06
F	Y10T24/45398	8	Cavity in shank forms track or way	F16B45/00, F16B45/002, F16B45/005, F16B45/008, F16B45/012, F16B45/015, F16B45/02, F16B45/021, F16B45/022, F16B45/023, F16B45/024, F16B45/026, F16B45/027, F16B45/028, F16B45/029, F16B45/031, F16B45/032, F16B45/033, F16B45/034, F16B45/035, F16B45/036, F16B45/037, F16B45/04, F16B45/043, F16B45/045, F16B45/047, F16B45/049, F16B45/051, F16B45/053, F16B45/055, F16B45/057, F16B45/059, F16B45/06
F	Y10T24/45403	9	with position locking-means for gate	F16B45/00, F16B45/002, F16B45/005, F16B45/008, F16B45/012, F16B45/015, F16B45/02, F16B45/021, F16B45/022, F16B45/023, F16B45/024, F16B45/026, F16B45/027, F16B45/028, F16B45/029, F16B45/031, F16B45/032, F16B45/033, F16B45/034, F16B45/035, F16B45/036, F16B45/037, F16B45/04, F16B45/043, F16B45/045, F16B45/047, F16B45/049, F16B45/051, F16B45/053, F16B45/055, F16B45/057, F16B45/059, F16B45/06
F	Y10T24/45408	6	Resilient, self-biased gate	F16B45/00, F16B45/002, F16B45/005, F16B45/008, F16B45/012, F16B45/015, F16B45/02, F16B45/021, F16B45/022, F16B45/023,

CPC NOTICE OF CHANGES 1077

DATE: MAY 1, 2021

PROJECT RP0241

<u>Type*</u>	<u>Symbol</u>	<u>Indent Level Number of dots (e.g. 0, 1, 2)</u>	<u>Title</u> “CPC only” text should normally be enclosed in {curly brackets}**	<u>Transferred to#</u>
				F16B45/024, F16B45/026, F16B45/027, F16B45/028, F16B45/029, F16B45/031, F16B45/032, F16B45/033, F16B45/034, F16B45/035, F16B45/036, F16B45/037, F16B45/04, F16B45/043, F16B45/045, F16B45/047, F16B45/049, F16B45/051, F16B45/053, F16B45/055, F16B45/057, F16B45/059, F16B45/06
F	Y10T24/45414	7	with position locking-means for gate	F16B45/00, F16B45/002, F16B45/005, F16B45/008, F16B45/012, F16B45/015, F16B45/02, F16B45/021, F16B45/022, F16B45/023, F16B45/024, F16B45/026, F16B45/027, F16B45/028, F16B45/029, F16B45/031, F16B45/032, F16B45/033, F16B45/034, F16B45/035, F16B45/036, F16B45/037, F16B45/04, F16B45/043, F16B45/045, F16B45/047, F16B45/049, F16B45/051, F16B45/053, F16B45/055, F16B45/057, F16B45/059, F16B45/06
F	Y10T24/45419	7	Gate and hook formed from plastic	F16B45/00, F16B45/002, F16B45/005, F16B45/008, F16B45/012, F16B45/015, F16B45/02, F16B45/021, F16B45/022, F16B45/023, F16B45/024, F16B45/026, F16B45/027, F16B45/028, F16B45/029, F16B45/031, F16B45/032, F16B45/033, F16B45/034, F16B45/035, F16B45/036, F16B45/037, F16B45/04, F16B45/043, F16B45/045, F16B45/047, F16B45/049, F16B45/051, F16B45/053, F16B45/055,

CPC NOTICE OF CHANGES 1077

DATE: MAY 1, 2021

PROJECT RP0241

<u>Type*</u>	<u>Symbol</u>	<u>Indent Level Number of dots (e.g. 0, 1, 2)</u>	<u>Title</u> “CPC only” text should normally be enclosed in {curly brackets}**	<u>Transferred to#</u>
				F16B45/057, F16B45/059, F16B45/06
F	Y10T24/45424	7	Gate and hook formed solely from wire	F16B45/00, F16B45/002, F16B45/005, F16B45/008, F16B45/012, F16B45/015, F16B45/02, F16B45/021, F16B45/022, F16B45/023, F16B45/024, F16B45/026, F16B45/027, F16B45/028, F16B45/029, F16B45/031, F16B45/032, F16B45/033, F16B45/034, F16B45/035, F16B45/036, F16B45/037, F16B45/04, F16B45/043, F16B45/045, F16B45/047, F16B45/049, F16B45/051, F16B45/053, F16B45/055, F16B45/057, F16B45/059, F16B45/06
F	Y10T24/45429	7	Gate and hook formed from single piece of sheet metal	F16B45/00, F16B45/002, F16B45/005, F16B45/008, F16B45/012, F16B45/015, F16B45/02, F16B45/021, F16B45/022, F16B45/023, F16B45/024, F16B45/026, F16B45/027, F16B45/028, F16B45/029, F16B45/031, F16B45/032, F16B45/033, F16B45/034, F16B45/035, F16B45/036, F16B45/037, F16B45/04, F16B45/043, F16B45/045, F16B45/047, F16B45/049, F16B45/051, F16B45/053, F16B45/055, F16B45/057, F16B45/059, F16B45/06
F	Y10T24/45435	5	Projection pivotally attached to shank or mounting structure	F16B45/00, F16B45/002, F16B45/005, F16B45/008, F16B45/012, F16B45/015, F16B45/02, F16B45/021, F16B45/022, F16B45/023, F16B45/024, F16B45/026, F16B45/027, F16B45/028, F16B45/029, F16B45/031, F16B45/032, F16B45/033,

CPC NOTICE OF CHANGES 1077

DATE: MAY 1, 2021

PROJECT RP0241

<u>Type*</u>	<u>Symbol</u>	<u>Indent Level Number of dots (e.g. 0, 1, 2)</u>	<u>Title</u> “CPC only” text should normally be enclosed in {curly brackets}**	<u>Transferred to#</u>
				F16B45/034, F16B45/035, F16B45/036, F16B45/037, F16B45/04, F16B45/043, F16B45/045, F16B45/047, F16B45/049, F16B45/051, F16B45/053, F16B45/055, F16B45/057, F16B45/059, F16B45/06
F	Y10T24/4544	5	Projection slidably mounted to shank or mounting structure	F16B45/00, F16B45/002, F16B45/005, F16B45/008, F16B45/012, F16B45/015, F16B45/02, F16B45/021, F16B45/022, F16B45/023, F16B45/024, F16B45/026, F16B45/027, F16B45/028, F16B45/029, F16B45/031, F16B45/032, F16B45/033, F16B45/034, F16B45/035, F16B45/036, F16B45/037, F16B45/04, F16B45/043, F16B45/045, F16B45/047, F16B45/049, F16B45/051, F16B45/053, F16B45/055, F16B45/057, F16B45/059, F16B45/06
F	Y10T24/4545	5	Projection self-biased towards shank or mounting structure	F16B45/00, F16B45/002, F16B45/005, F16B45/008, F16B45/012, F16B45/015, F16B45/02, F16B45/021, F16B45/022, F16B45/023, F16B45/024, F16B45/026, F16B45/027, F16B45/028, F16B45/029, F16B45/031, F16B45/032, F16B45/033, F16B45/034, F16B45/035, F16B45/036, F16B45/037, F16B45/04, F16B45/043, F16B45/045, F16B45/047, F16B45/049, F16B45/051, F16B45/053, F16B45/055, F16B45/057, F16B45/059, F16B45/06
F	Y10T24/4545	6	and formed solely from wire	F16B45/00, F16B45/002, F16B45/005, F16B45/008, F16B45/012, F16B45/015,

CPC NOTICE OF CHANGES 1077

DATE: MAY 1, 2021

PROJECT RP0241

<u>Type*</u>	<u>Symbol</u>	<u>Indent Level Number of dots (e.g. 0, 1, 2)</u>	<u>Title</u> “CPC only” text should normally be enclosed in {curly brackets}**	<u>Transferred to#</u>
				F16B45/02, F16B45/021, F16B45/022, F16B45/023, F16B45/024, F16B45/026, F16B45/027, F16B45/028, F16B45/029, F16B45/031, F16B45/032, F16B45/033, F16B45/034, F16B45/035, F16B45/036, F16B45/037, F16B45/04, F16B45/043, F16B45/045, F16B45/047, F16B45/049, F16B45/051, F16B45/053, F16B45/055, F16B45/057, F16B45/059, F16B45/06
F	Y10T24/45455	7	Cooperating with relatively stationary wire gate	F16B45/00, F16B45/002, F16B45/005, F16B45/008, F16B45/012, F16B45/015, F16B45/02, F16B45/021, F16B45/022, F16B45/023, F16B45/024, F16B45/026, F16B45/027, F16B45/028, F16B45/029, F16B45/031, F16B45/032, F16B45/033, F16B45/034, F16B45/035, F16B45/036, F16B45/037, F16B45/04, F16B45/043, F16B45/045, F16B45/047, F16B45/049, F16B45/051, F16B45/053, F16B45/055, F16B45/057, F16B45/059, F16B45/06
C	Y10T24/4764	2	Ring-loop	Y10T24/4764, F16B45/00, F16B45/002, F16B45/005, F16B45/008, F16B45/012, F16B45/015, F16B45/02, F16B45/021, F16B45/022, F16B45/023, F16B45/024, F16B45/026, F16B45/027, F16B45/028, F16B45/029, F16B45/031, F16B45/032, F16B45/033, F16B45/034, F16B45/035, F16B45/036, F16B45/037, F16B45/04, F16B45/043, F16B45/045, F16B45/047, F16B45/049,

CPC NOTICE OF CHANGES 1077

DATE: MAY 1, 2021

PROJECT RP0241

<u>Type*</u>	<u>Symbol</u>	<u>Indent Level Number of dots (e.g. 0, 1, 2)</u>	<u>Title</u> “CPC only” text should normally be enclosed in {curly brackets}**	<u>Transferred to#</u>
				F16B45/051, F16B45/053, F16B45/055, F16B45/057, F16B45/059, F16B45/06

*N = new entries where reclassification into entries is involved; C = entries with modified file scope where reclassification of documents from the entries is involved; Q = new entries which are firstly populated with documents via administrative transfers from deleted (D) entries. Afterwards, the transferred documents into the Q entry will either stay or be moved to more appropriate entries, as determined by intellectual reclassification; T = existing entries with enlarged file scope, which receive documents from C or D entries, e.g. when a limiting reference is removed from the entry title; M = entries with no change to the file scope (no reclassification); D = deleted entries; F = frozen entries will be deleted once reclassification of documents from the entries is completed; U = entries that are unchanged.

NOTES:

- **No {curly brackets} are used for titles in CPC only subclasses, e.g. C12Y, A23Y; 2000 series symbol titles of groups found at the end of schemes (orthogonal codes); or the Y section titles. The {curly brackets} are used for 2000 series symbol titles found interspersed throughout the main trunk schemes (breakdown codes).
- U groups: it is obligatory to display the required “anchor” symbol (U group), i.e. the entry immediately preceding a new group or an array of new groups to be created (in case new groups are not clearly subgroups of C-type groups). Always include the symbol, indent level and title of the U group in the table above.
- All entry types should be included in the scheme changes table above for better understanding of the overall scheme change picture. Symbol, indent level, and title are required for all types.
- “Transferred to” column must be completed for all C, D, F, and Q type entries. F groups will be deleted once reclassification is completed.
- When multiple symbols are included in the “Transferred to” column, avoid using ranges of symbols in order to be as precise as possible.
- For administrative transfer of documents, the following text should be used: “<administrative transfer to XX>”, “<administrative transfer to XX and YY simultaneously>”, or “<administrative transfer to XX, YY, ...and ZZ simultaneously>” when administrative transfer of the same documents is to more than one place.
- Administrative transfer to main trunk groups is assumed to be the source allocation type, unless otherwise indicated.
- Administrative transfer to 2000/Y series groups is assumed to be “additional information”.
- If needed, instructions for allocation type should be indicated within the angle brackets using the abbreviations “ADD” or “INV”: <administrative transfer to XX ADD>, <administrative transfer to XX INV>, or <administrative transfer to XX ADD, YY INV, ... and ZZ ADD simultaneously>.
- In certain situations, the “D” entries of 2000-series or Y-series groups may not require a destination (“Transferred to”) symbol, however it is required to specify “<no transfer>” in the “Transferred to” column for such cases.
- For finalisation projects, the deleted “F” symbols should have <no transfer> in the “Transferred to” column.
- For more details about the types of scheme change, see CPC Guide.

CPC NOTICE OF CHANGES 1077

DATE: MAY 1, 2021

PROJECT RP0241

B. New, Modified or Deleted Warning(s)

SUBCLASS F16B – DEVICES FOR FASTENING OR SECURING CONSTRUCTIONAL ELEMENTS OR MACHINE PARTS TOGETHER, e.g. NAILS, BOLTS, CIRCLIPS, CLAMPS, CLIPS, WEDGES, JOINTS OR JOINTING

<u>Type*</u>	<u>Location</u>	<u>Old Warning</u>	<u>New/Modified Warning</u>
N	F16B 45/00		Group F16B 45/00 is impacted by reclassification into groups F16B 45/002, F16B 45/005, F16B 45/008, F16B 45/012 and F16B 45/015. All groups listed in this Warning should be considered in order to perform a complete search.
N	F16B 45/002		Group F16B 45/002 is incomplete pending reclassification of documents from group F16B 45/00. Groups F16B 45/00 and F16B 45/002 should be considered in order to perform a complete search.
N	F16B 45/005		Groups F16B 45/005, F16B 45/008, F16B 45/012, and F16B 45/015 are incomplete pending reclassification of documents from groups F16B 45/00, F16B 45/02, F16B 45/021 and F16B 45/04. All groups listed in this Warning should be considered in order to perform a complete search.
N	F16B 45/02		Group F16B 45/02 is impacted by reclassification into groups F16B 45/005, F16B 45/008, F16B 45/012, F16B 45/015, F16B 45/021, F16B 45/022, F16B 45/023, F16B 45/024, F16B 45/026, F16B 45/027, F16B 45/028, F16B 45/029, F16B 45/031, F16B 45/032, F16B 45/033, F16B 45/034, F16B 45/035, F16B 45/036 and F16B 45/037. All groups listed in this Warning should be considered in order to perform a complete search.
N	F16B 45/021		Group F16B 45/021 is incomplete pending reclassification of documents from groups F16B 45/02. Group F16B 45/021 is also impacted by reclassification into groups F16B 45/005, F16B 45/008, F16B 45/012, F16B 45/015, F16B 45/022, F16B 45/023, F16B 45/024, F16B 45/026, F16B 45/027, F16B 45/028, F16B 45/029, F16B 45/031, F16B 45/032,

CPC NOTICE OF CHANGES 1077

DATE: MAY 1, 2021

PROJECT RP0241

<u>Type*</u>	<u>Location</u>	<u>Old Warning</u>	<u>New/Modified Warning</u>
			F16B 45/033, F16B 45/034, F16B 45/035, F16B 45/036 and F16B45/037. All groups listed in this Warning should be considered in order to perform a complete search.
N	F16B 45/022		Group F16B 45/022 is incomplete pending reclassification of documents from group F16B 45/02. All groups listed in this Warning should be considered in order to perform a complete search.
N	F16B 45/023		Group F16B 45/023 is incomplete pending reclassification of documents from group F16B 45/02. All groups listed in this Warning should be considered in order to perform a complete search.
N	F16B 45/024		Groups F16B 45/024 and F16B 45/026 are incomplete pending reclassification of documents from group F16B 45/02. All groups listed in this Warning should be considered in order to perform a complete search.
N	F16B 45/027		Groups F16B 45/027, F16B 45/028 and F16B 45/029 are incomplete pending reclassification of documents from group F16B 45/02. All groups listed in this Warning should be considered in order to perform a complete search.
N	F16B 45/031		Group F16B 45/031 is incomplete pending reclassification of documents from group F16B 45/02. All groups listed in this Warning should be considered in order to perform a complete search.
N	F16B 45/032		Group F16B 45/032 is incomplete pending reclassification of documents from group F16B 45/02. All groups listed in this Warning should be considered in order to perform a complete search.
N	F16B 45/033		Group F16B 45/033 is incomplete pending reclassification of documents from group F16B 45/02. All groups listed in this Warning should be considered in order to perform a complete search.

CPC NOTICE OF CHANGES 1077

DATE: MAY 1, 2021

PROJECT RP0241

<u>Type*</u>	<u>Location</u>	<u>Old Warning</u>	<u>New/Modified Warning</u>
N	F16B 45/034		Group F16B 45/034 is incomplete pending reclassification of documents from group F16B 45/02. All groups listed in this Warning should be considered in order to perform a complete search.
N	F16B 45/035		Group F16B 45/035 is incomplete pending reclassification of documents from group F16B 45/02. All groups listed in this Warning should be considered in order to perform a complete search.
N	F16B 45/036		Group F16B 45/036 is incomplete pending reclassification of documents from group F16B 45/02. All groups listed in this Warning should be considered in order to perform a complete search.
N	F16B 45/037		Group F16B 45/037 is incomplete pending reclassification of documents from group F16B 45/02. All groups listed in this Warning should be considered in order to perform a complete search.
N	F16B 45/04		Group F16B 45/04 is impacted by reclassification into groups F16B 45/005, F16B 45/008, F16B 45/012, F16B 45/015, F16B 45/043, F16B 45/045, F16B 45/047, F16B 45/049, F16B 45/051, F16B 45/053, F16B 45/055, F16B 45/057 and F16B 45/059. All groups listed in this Warning should be considered in order to perform a complete search.
N	F16B 45/043		Group F16B 45/043 is incomplete pending reclassification of documents from group F16B 45/04. All groups listed in this Warning should be considered in order to perform a complete search.
N	F16B 45/045		Groups F16B 45/045 and F16B 45/047 are incomplete pending reclassification of documents from group F16B 45/04. Groups F16B 45/04 and F16B 45/045 should be considered in order to perform a complete search.

CPC NOTICE OF CHANGES 1077

DATE: MAY 1, 2021

PROJECT RP0241

<u>Type*</u>	<u>Location</u>	<u>Old Warning</u>	<u>New/Modified Warning</u>
N	F16B 45/049		Group F16B 45/049 is incomplete pending reclassification of documents from group F16B 45/04. Groups F16B 45/04 and F16B 45/049 should be considered in order to perform a complete search.
N	F16B 45/051		Group F16B 45/051 is incomplete pending reclassification of documents from group F16B 45/04. Groups F16B 45/04 and F16B 45/051 should be considered in order to perform a complete search.
N	F16B 45/053		Group F16B 45/053 is incomplete pending reclassification of documents from group F16B 45/04. Groups F16B 45/04 and F16B 45/053 should be considered in order to perform a complete search.
N	F16B 45/055		Group F16B 45/055 is incomplete pending reclassification of documents from group F16B 45/04. Groups F16B 45/04 and F16B 45/055 should be considered in order to perform a complete search.
N	F16B 45/057		Group F16B 45/057 is incomplete pending reclassification of documents from group F16B 45/04. Groups F16B 45/04 and F16B 45/057 should be considered in order to perform a complete search.
N	F16B 45/059		Group F16B 45/059 is incomplete pending reclassification of documents from group F16B 45/04. Groups F16B 45/04 and F16B 45/059 should be considered in order to perform a complete search.

SUBCLASS Y10T – TECHNICAL SUBJECTS COVERED BY FORMER US CLASSIFICATION

<u>Type*</u>	<u>Location</u>	<u>Old Warning</u>	<u>New/Modified Warning</u>
N	Y10T24/45272		Groups Y10T 24/45272 - Y10T24/45455 are no longer used for the classification of documents as of May 1, 2021. The content of this group is being reclassified into groups F16B 45/00, F16B 45/002, F16B

CPC NOTICE OF CHANGES 1077

DATE: MAY 1, 2021

PROJECT RP0241

<u>Type*</u>	<u>Location</u>	<u>Old Warning</u>	<u>New/Modified Warning</u>
			45/005, F16B 45/008, F16B 45/012, F16B 45/015, F16B 45/02, F16B 45/021, F16B 45/022, F16B 45/023, F16B 45/024, F16B 45/026, F16B 45/027, F16B 45/028, F16B 45/029, F16B 45/031, F16B 45/032, F16B 45/033, F16B 45/034, F16B 45/035, F16B 45/036, F16B 45/037, F16B 45/04, F16B 45/043, F16B 45/045, F16B 45/047, F16B 45/049, F16B 45/051, F16B 45/053, F16B 45/055, F16B 45/057, F16B 45/059 and F16B 45/06. All groups listed in this Warning should be considered in order to perform a complete search.
N	Y10T 24/4764		Group Y10T 24/4764 is impacted by reclassification into groups F16B 45/00, F16B 45/002, F16B 45/005, F16B 45/008, F16B 45/012, F16B 45/015, F16B 45/02, F16B 45/021, F16B 45/022, F16B 45/023, F16B 45/024, F16B 45/026, F16B 45/027, F16B 45/028, F16B 45/029, F16B 45/031, F16B 45/032, F16B 45/033, F16B 45/034, F16B 45/035, F16B 45/036, F16B 45/037, F16B 45/04, F16B 45/043, F16B 45/045, F16B 45/047, F16B 45/049, F16B 45/051, F16B 45/053, F16B 45/055, F16B 45/057, F16B 45/059 and F16B 45/06. All groups listed in this Warning should be considered in order to perform a complete search.

*N = new warning, M = modified warning, D = deleted warning

NOTE: The "Location" column only requires the symbol PRIOR to the location of the warning. No further directions such as "before" or "after" are required.

2. A. DEFINITIONS (new)

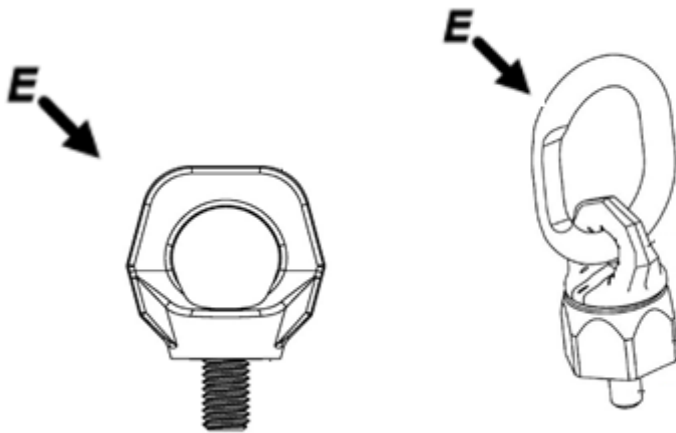
Insert: The following new Definitions.

F16B 45/002

Definition statement

This place covers:

The figures below are illustrative examples which fall within the scope of this subgroup. In the figures are shown examples of eyes E.

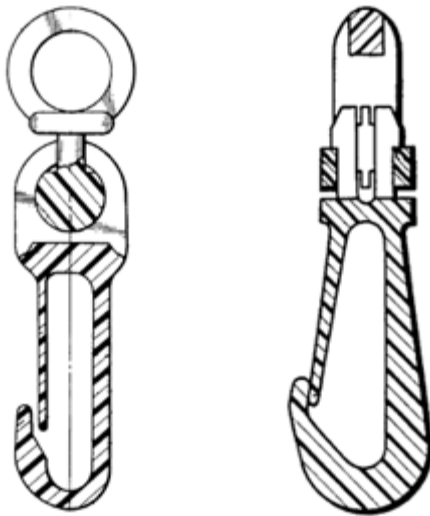


F16B 45/008

Definition statement

This place covers:

The figures below are illustrative examples which fall within the scope of this subgroup. In the figures are shown examples of a plastic hook.

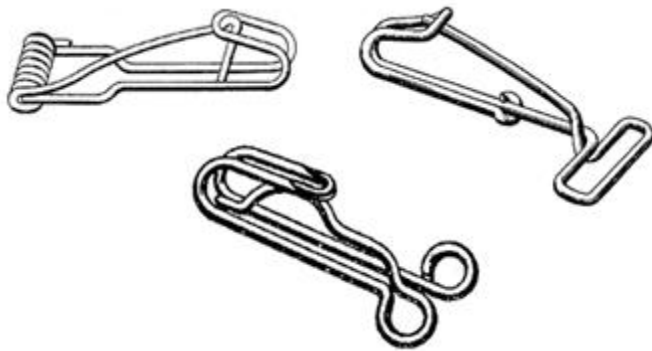


F16B 45/012

Definition statement

This place covers:

The figures below are illustrative examples which fall within the scope of this subgroup. In the figures are shown examples of a hook formed from a wire material.

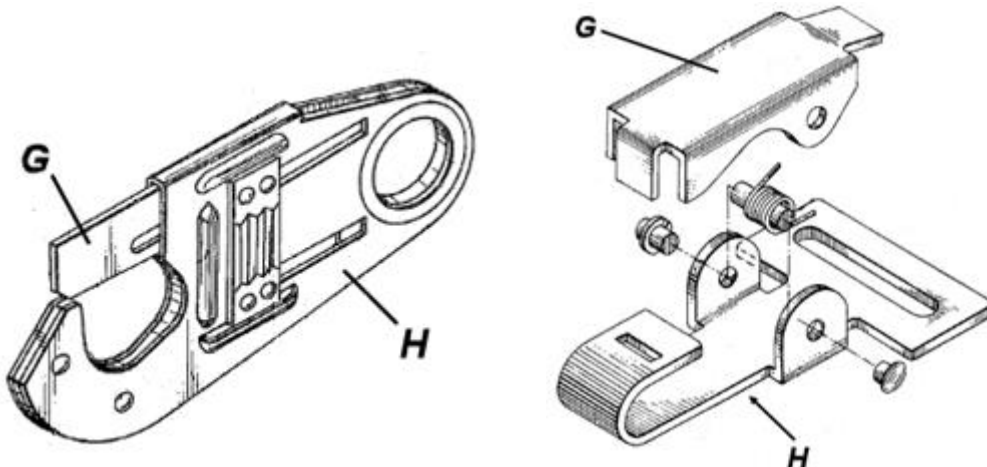


F16B 45/015

Definition statement

This place covers:

The figures below are illustrative examples which falls within the scope of this subgroup. In the figures, each of the closing members G and hook bodies H are formed from sheet metal.

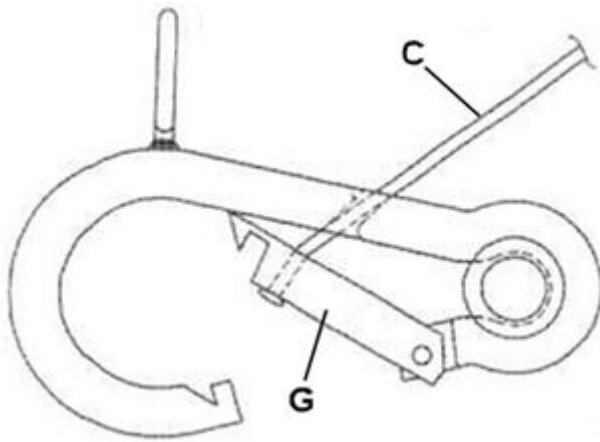


F16B 45/021

Definition statement

This place covers:

Illustrative example of the closing member G being maneuverable remotely with cable C.

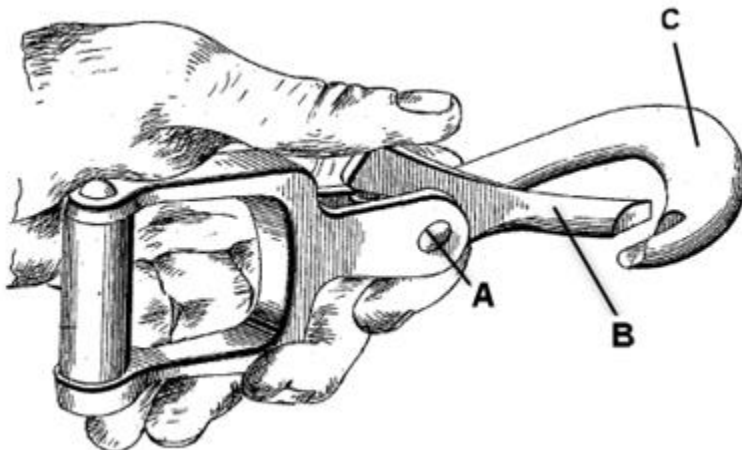


F16B 45/022

Definition statement

This place covers:

Illustrative example shows closing member B pivoting about axis A which lies in the plane of hook C.

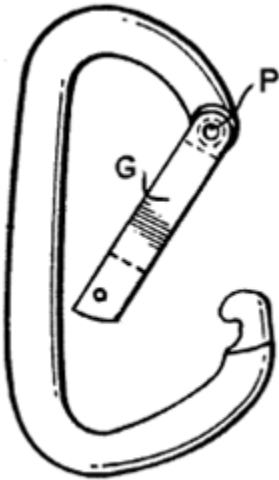


F16B 45/023

Definition statement

This place covers:

The following figure shows an example of a hook with closing member G which pivots about perpendicular axis P.

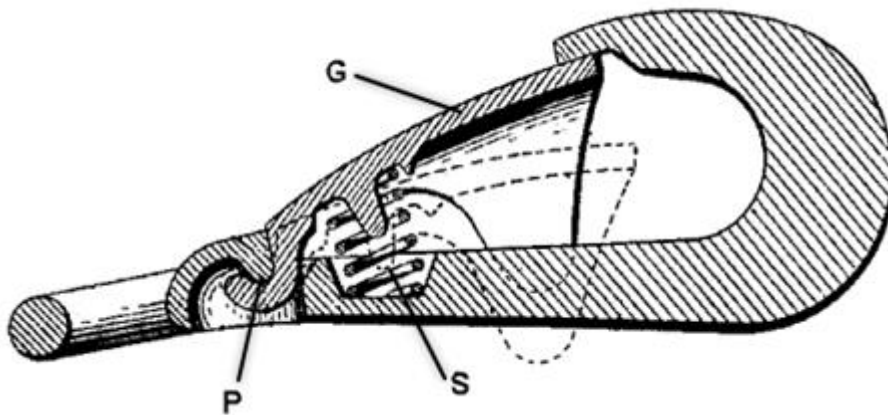


F16B 45/024

Definition statement

This place covers:

Illustrative example of a hook with spring S which biases closing member G about pivot P.

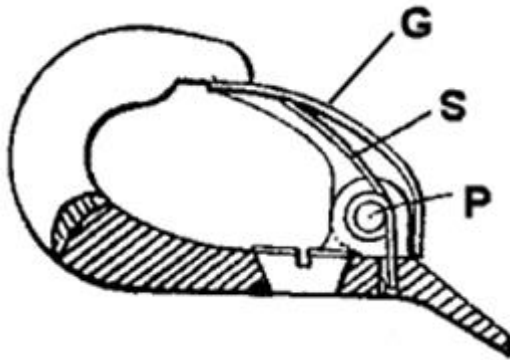


F16B 45/026

Definition statement

This place covers:

Illustrative example of a hook with coil spring S which biases closing member G about pivot P.

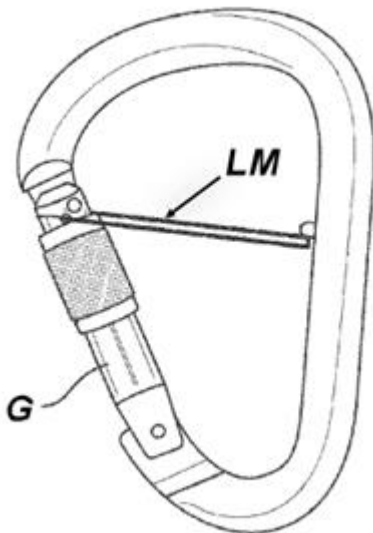


F16B 45/027

Definition statement

This place covers:

The exemplary figure below shows a hook where the position of closing member G is prevented from moving by locking means LM.

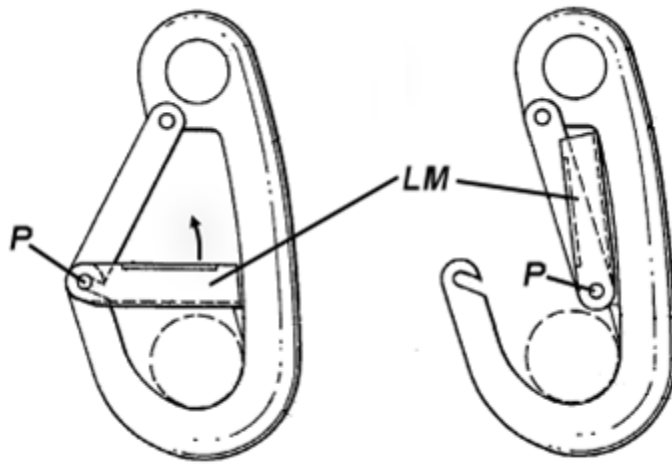


F16B 45/028

Definition statement

This place covers:

The exemplary figure below shows locking means LM being pivotally connect at pin P.

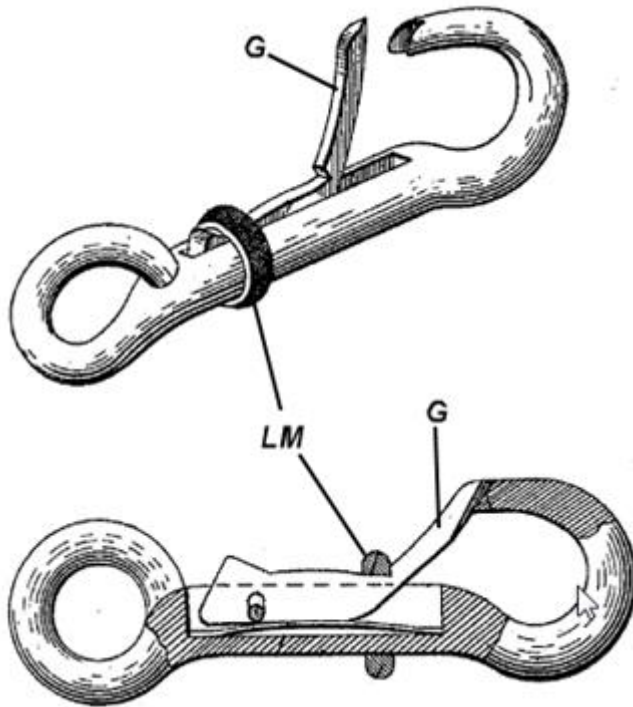


F16B 45/029

Definition statement

This place covers:

Illustrative example of a hook where locking means LM is slidably mounted to lock pivoting member G.

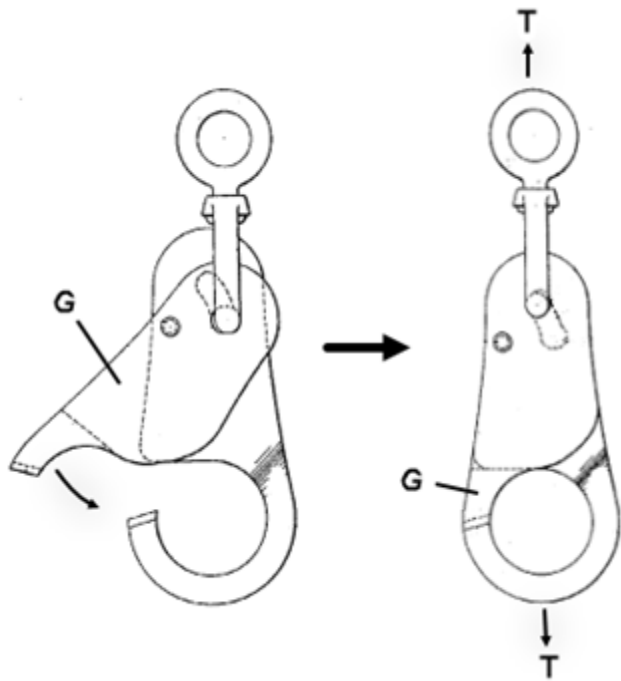


F16B 45/031

Definition statement

This place covers:

Illustrative example of a hook where closing member G closes when tension T is applied to the hook as shown.

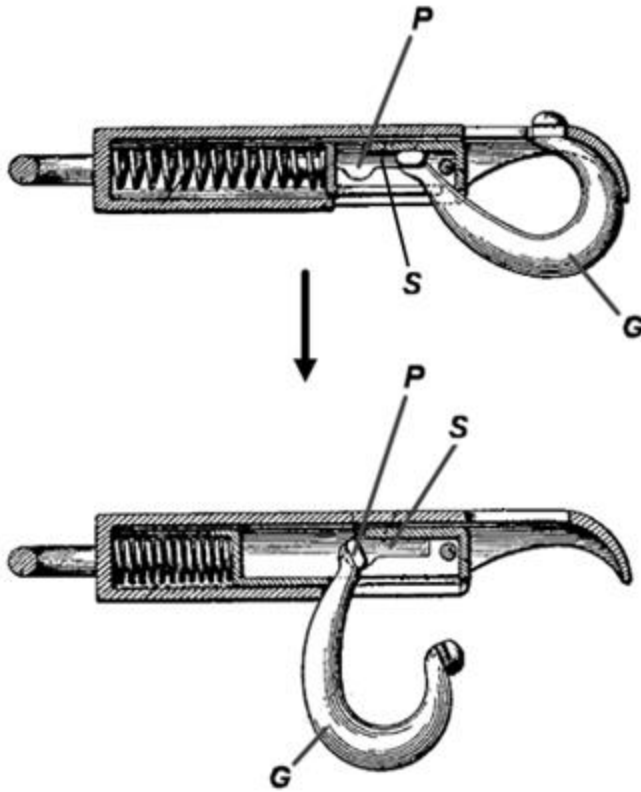


F16B 45/032

Definition statement

This place covers:

The figure below is an illustrative example which falls within the scope of this subgroup. In the figure, the closing member G is slidable along slot S which is relative to pivot point P.

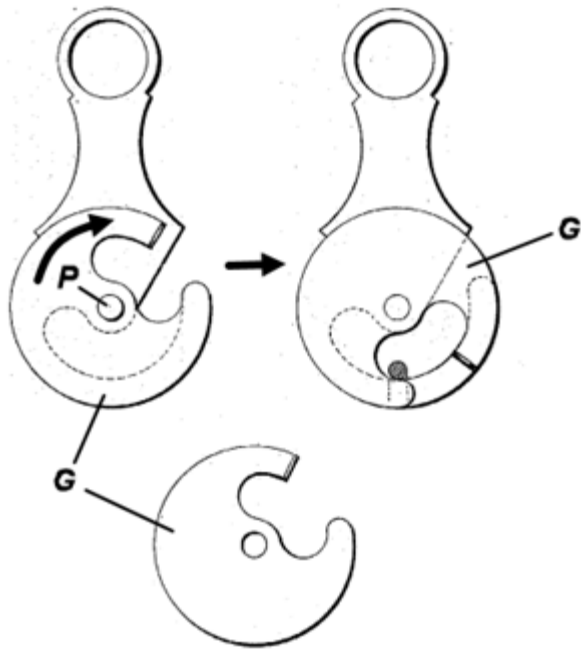


F16B 45/033

Definition statement

This place covers:

The figure below is an illustrative example which falls within the scope of this subgroup. In the figure, the closing member G is revolvably mounted to rotate about pin P, and is substantially in the shape of a disc.



DATE: MAY 1, 2021

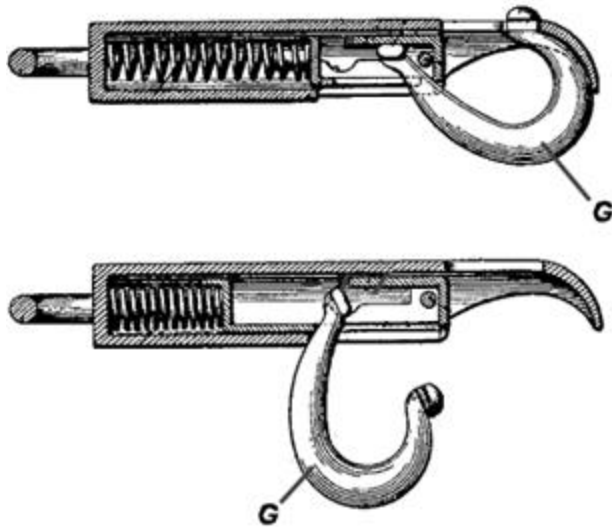
PROJECT RP0241

F16B 45/034

Definition statement

This place covers:

The figure below is an illustrative example which falls within the scope of this subgroup. In the figure, the closing member G is hook shaped.

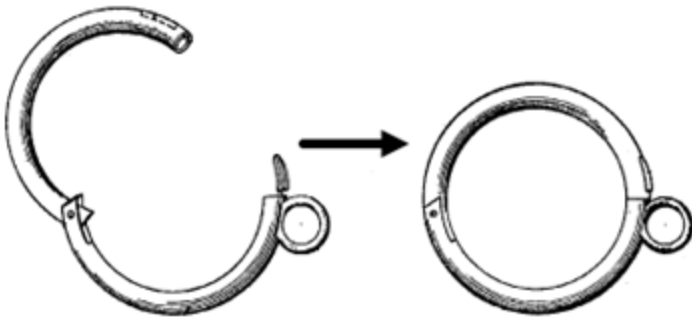


F16B 45/035

Definition statement

This place covers:

The figure below is an illustrative example which falls within the scope of this subgroup. In the figure, the hook forms as a loop or ring when interlocked.

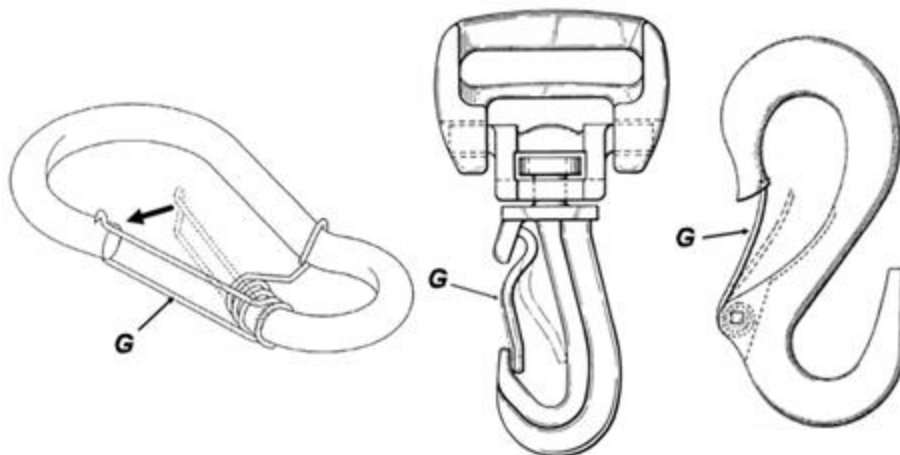


F16B 45/036

Definition statement

This place covers:

The figures below are illustrative examples which falls within the scope of this subgroup. In the figures, an closing member G elastically bends to an open position, and is self-biased to a closed position. The closing member G may be, e.g. of a wire, sheet, plastic, or integrally formed material.



DATE: MAY 1, 2021

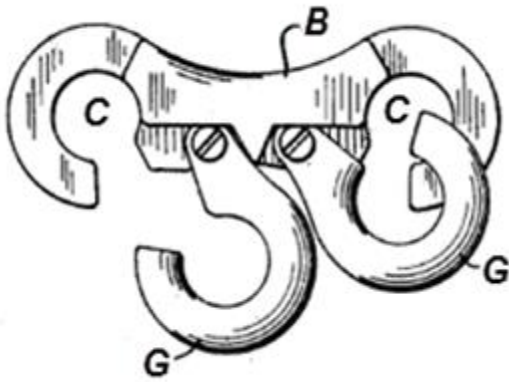
PROJECT RP0241

F16B 45/037

Definition statement

This place covers:

The figure below is an illustrative example which falls within the scope of this subgroup. In the figure, a main body B of the hook includes multiple locking cavities C, each cavity having a pivoting closing member G that enters its corresponding cavity C.



DATE: MAY 1, 2021

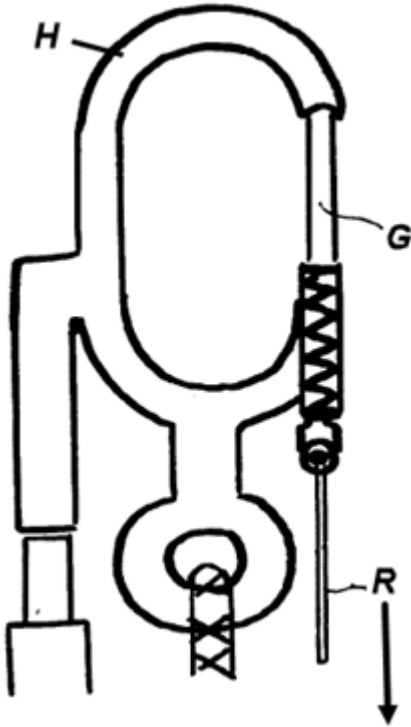
PROJECT RP0241

F16B 45/043

Definition statement

This place covers:

The figures below are illustrative examples which falls within the scope of this subgroup. In the figure, sliding closing member G is operable by pulling rod R in the direction of the arrow.

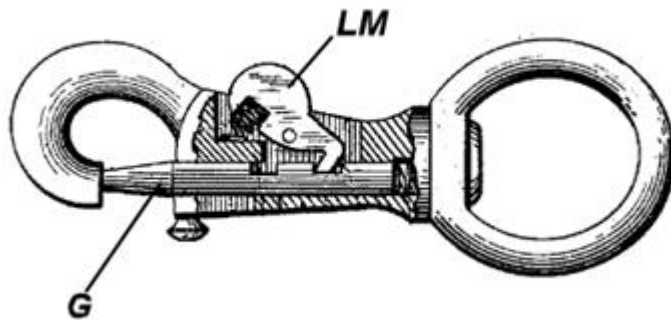


F16B 45/045

Definition statement

This place covers:

The figure below is an illustrative example which falls within the scope of this subgroup. In the figure, sliding closing member G is shown locked in a closed position by locking element LM.

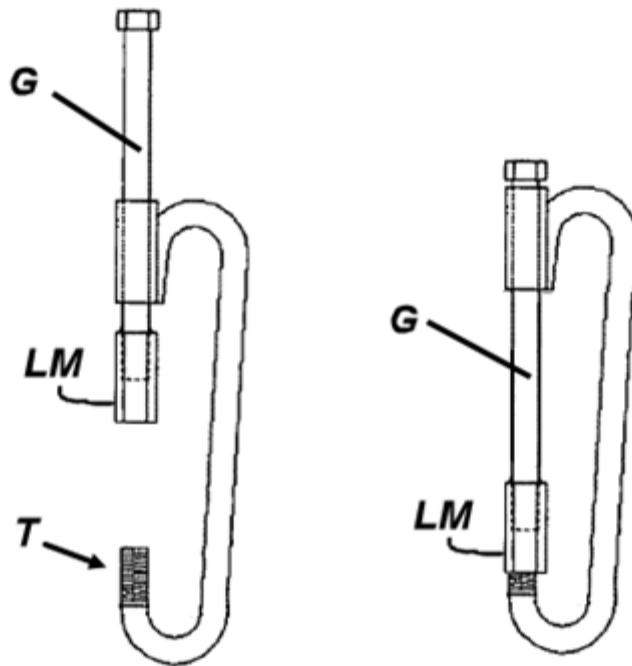


F16B 45/047

Definition statement

This place covers:

The figure below is an illustrative example which falls within the scope of this subgroup. In the figure, sliding closing member G is shown to lock in a closed position by a threaded locking element LM onto threaded end T.

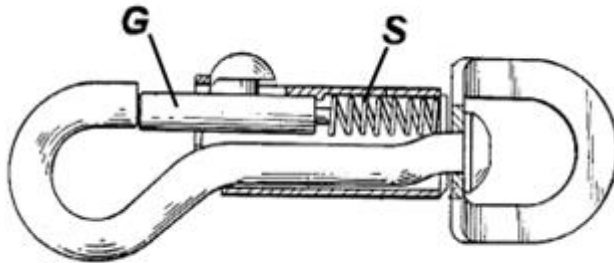


F16B 45/049

Definition statement

This place covers:

The figure below is an illustrative example which falls within the scope of this subgroup. In the figure, spring S biases the sliding closing member G in a closed position.

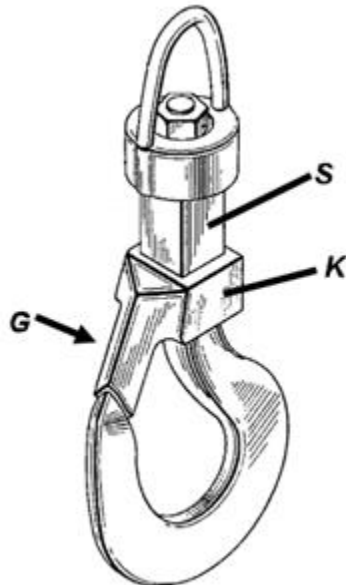


F16B 45/051

Definition statement

This place covers:

The figure below is an illustrative example which falls within the scope of this subgroup. In the figure, the sliding closing member G includes a guide K encircling the shank S.

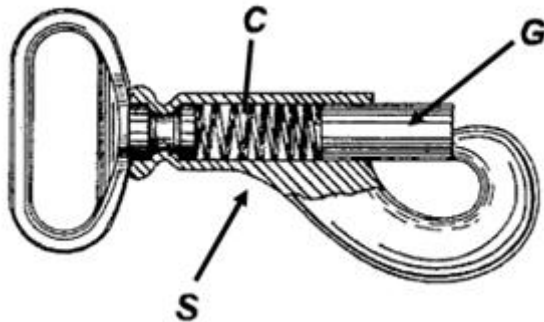


F16B 45/053

Definition statement

This place covers:

The figure below is an illustrative example which falls within the scope of this subgroup. In the figure, the shank S of the hook includes a cavity C forming a track or way for the closing member G.

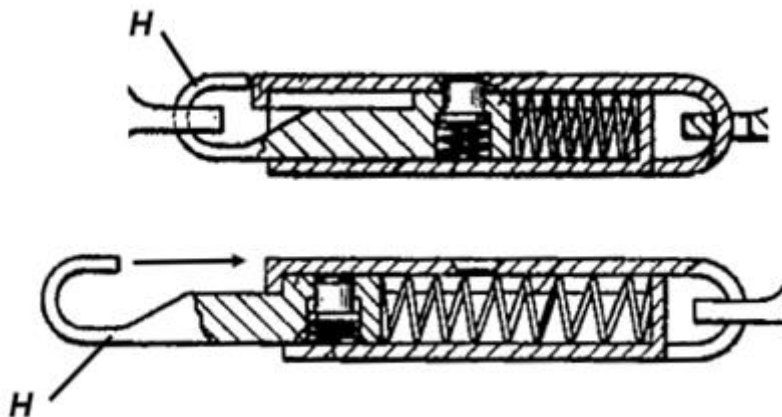


F16B 45/055

Definition statement

This place covers:

The figure below is an illustrative example which falls within the scope of this subgroup. In the figure, the hook shaped portion H of the hook functions as the closing member.



DATE: MAY 1, 2021

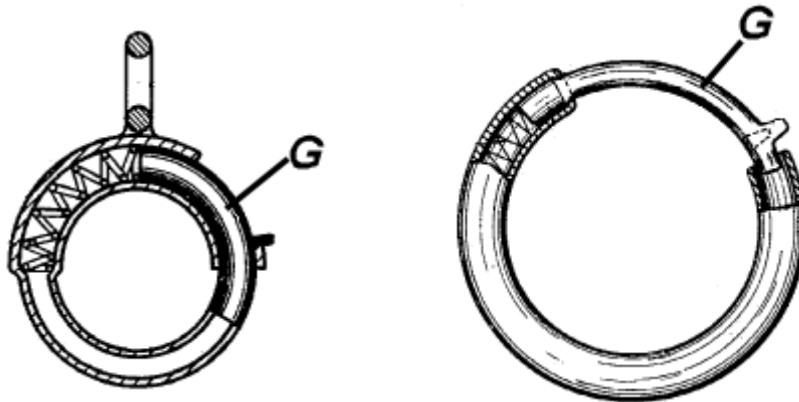
PROJECT RP0241

F16B 45/057

Definition statement

This place covers:

The figures below are an illustrative example which falls within the scope of this subgroup. In the figures, the hook forms a loop or ring shape when the sliding closing member G is interlocked.

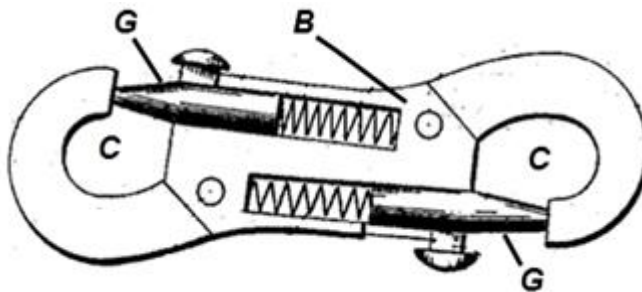


F16B 45/059

Definition statement

This place covers:

The figure below illustrates an example which falls within the scope of this subgroup. Hooks comprising multiple locking cavities C within a main body portion B of the hook in which a corresponding sliding closing member G enters each locking cavity C.



DATE: MAY 1, 2021

PROJECT RP0241

2. A. DEFINITIONS (modified)

F16B 45/00

References

Insert: The following new Limiting references section.

Limiting references

This place does not cover:

Dowels or other devices fastened in walls or the like by inserting them in holes made therein for that purpose	F16B13/00
Nails; Staples	F16B15/00
Bolts without screw-thread; Pins, including deformable elements; Rivets	F16B19/00
Screws that cut thread in the body into which they are screwed, e.g. wood screws	F16B25/00
Screw-bolts; Stay-bolts; Screw-threaded studs; Screws; Set screws	F16B35/00
Suction cups for attaching purposes; Equivalent means using adhesives	F16B47/00

Insert: The following new Special rules of classification section.

Special rules of classification

References A47G1/16, B63B21/58, B66C, F16G11/14 are non-limiting in the main group F16B45/00. CPC will be updated/corrected once this inconsistency is resolved in IPC.

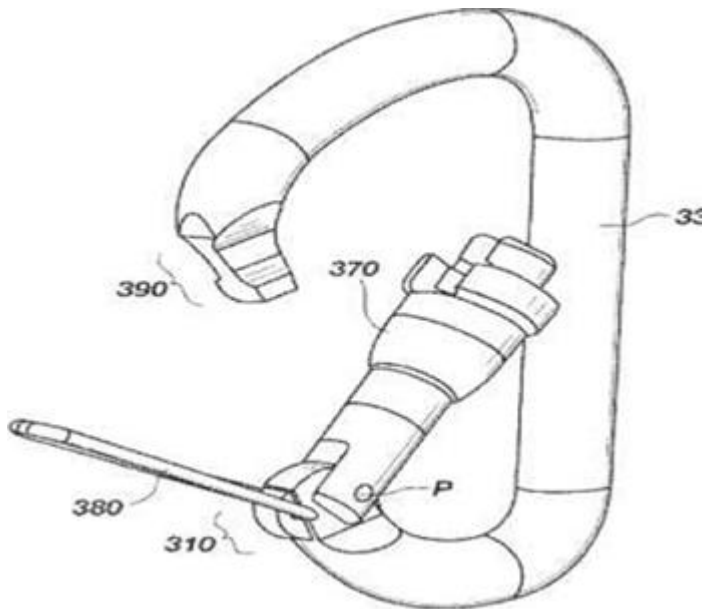
F16B 45/02

Definition statement

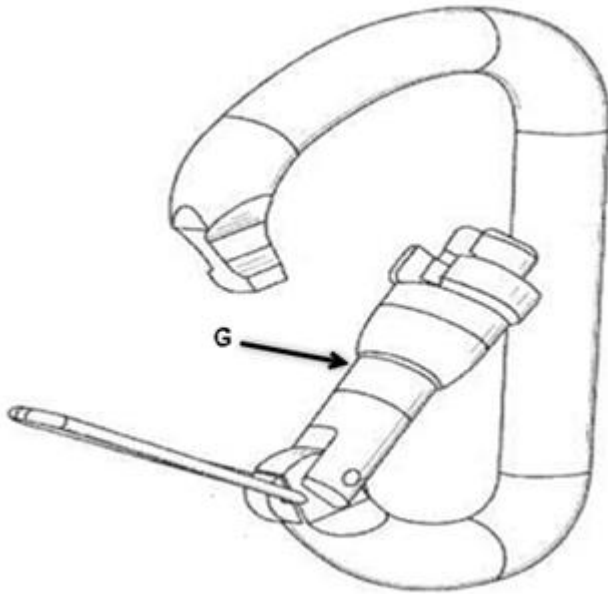
Replace: The existing Definition statement text with the following updated text.

Illustrative example of a hook with pivoting closing member (G).

Delete: The following image from the Definition statement.



Insert: The following new image in the Definition statement.



F16B 45/04

Definition statement

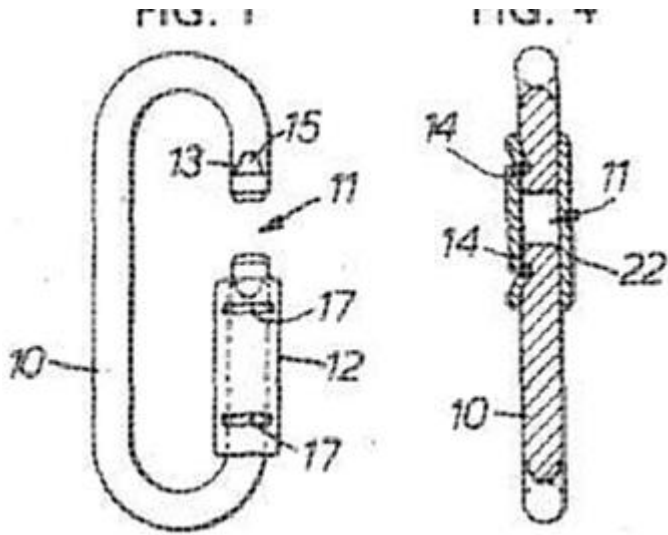
Replace: The existing Definition statement text with the following updated text.

Illustrative example of a hook with sliding closing member 12.

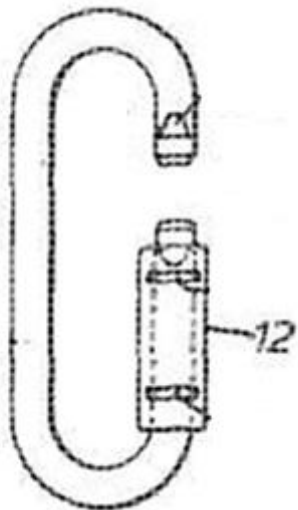
Delete: The following image from the Definition statement.

DATE: MAY 1, 2021

PROJECT RP0241



Insert: The following new image in the Definition statement.



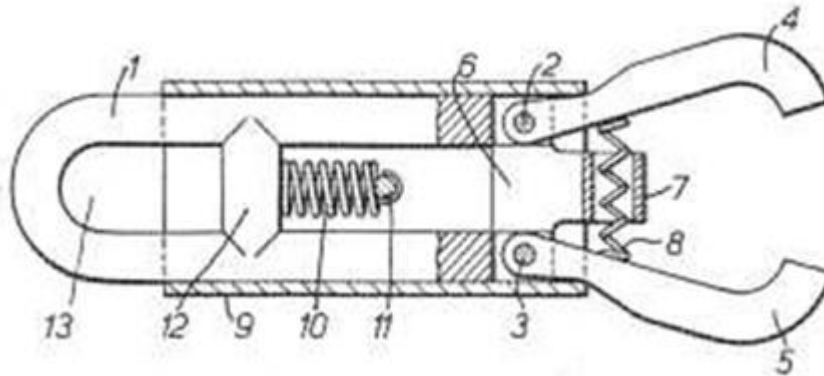
F16B 45/06

Definition statement

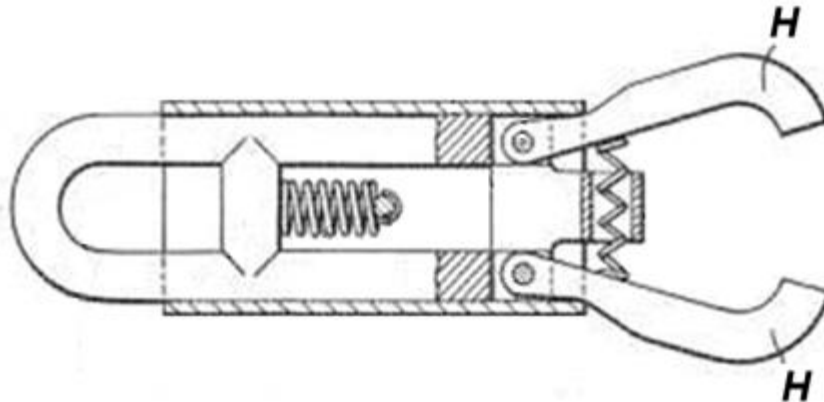
Replace: The existing Definition statement text with the following updated text.

Illustrative example of a hook including two symmetrically pivoting hook parts (H).

Delete: The following image from the Definition statement.



Insert: The following new image in the Definition statement.



Insert: The following new Limiting references section.

References

Limiting references

This place does not cover:

Hooks with a pivoting or elastically bending closing member the hook forming a loop or ring when interlocked with the closing member, i.e. the entire structure of the hook being loop shaped	F16B 45/035
---	-------------

F16G11/14

Definition statement

Replace: The existing Definition statement text with the following updated text.

Illustrative examples of subject matter classified in this group:

Delete: The following image from the Definition statement.

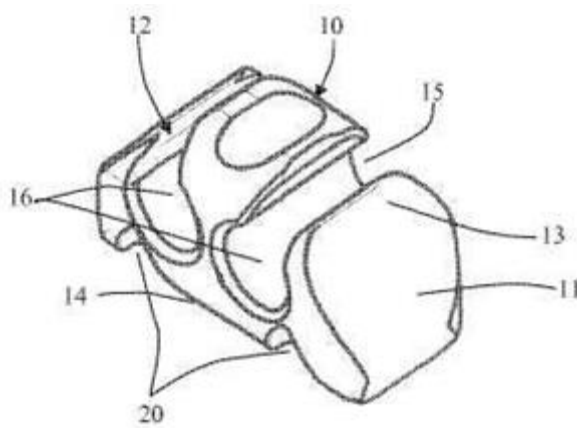
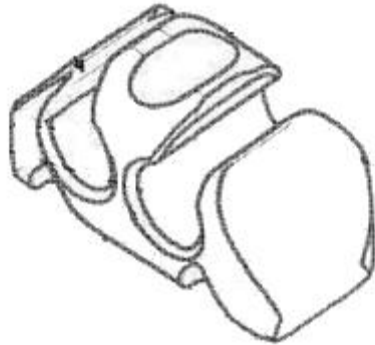
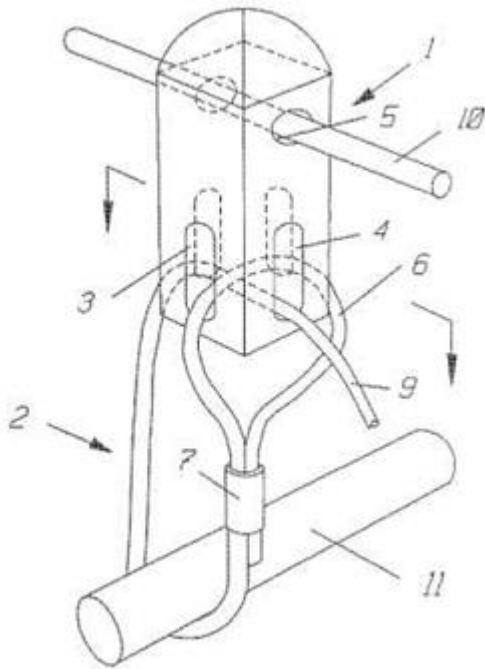


FIG. 7

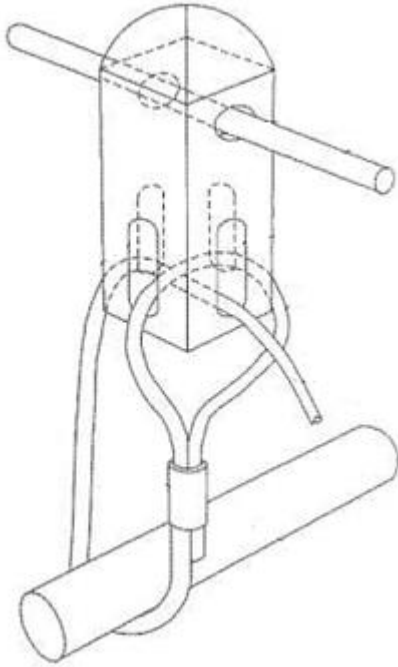
Insert: The following new image in the Definition statement.



Delete: The following image from the Definition statement.



Insert: The following new image in the Definition statement.



References

Informative references

Insert: The following two new references in the Informative references table.

Crane hooks	B66C 1/34
Hooks or eyes in general	F16B 45/00

CPC NOTICE OF CHANGES 1077

DATE: MAY 1, 2021

PROJECT RP0241

2. B. DEFINITIONS QUICK FIX

<u>Symbol</u>	<u>Location of change</u> (e.g., section title)	<u>Existing reference symbol or text</u>	<u>Action; New symbol; New text</u>
F16B 45/025			Delete the entire Definition.

NOTES:

- C. The table above is used for corrections or modifications to existing definitions, e.g. delete an entire definition or part thereof; propose new wording or modify wording of a section, change the symbol the definition is associated with, change or delete a reference symbol, etc.
- D. Do not delete (F) symbol definitions.

CPC NOTICE OF CHANGES 1077

DATE: MAY 1, 2021

PROJECT RP0241

3. REVISION CONCORDANCE LIST (RCL)

Type*	From CPC Symbol (existing)	To CPC Symbol(s)
C	F16B 45/00	F16B 45/00, F16B 45/002, F16B 45/005, F16B 45/008, F16B 45/012, F16B 45/015
C	F16B 45/02	F16B 45/02, F16B 45/005, F16B 45/008, F16B 45/012, F16B 45/015, F16B 45/021, F16B 45/022, F16B 45/023, F16B 45/024, F16B 45/026, F16B 45/027, F16B 45/028, F16B 45/029, F16B 45/031, F16B 45/032, F16B 45/033, F16B 45/034, F16B 45/035, F16B 45/036, F16B 45/037
Q	F16B 45/021	F16B 45/021, F16B 45/005, F16B 45/008, F16B 45/012, F16B 45/015, F16B 45/022, F16B 45/023, F16B 45/024, F16B 45/026, F16B 45/027, F16B 45/028, F16B 45/029, F16B 45/031, F16B 45/032, F16B 45/033, F16B 45/034, F16B 45/035, F16B 45/036, F16B 45/043
D	F16B 45/025	<administrative transfer to F16B 45/021>
C	F16B 45/04	F16B 45/04, F16B 45/005, F16B 45/008, F16B 45/012, F16B 45/015, F16B 45/043, F16B 45/045, F16B 45/047, F16B 45/049, F16B 45/051, F16B 45/053, F16B 45/055, F16B 45/057, F16B 45/059
F	Y10T 24/45272	F16B 45/00, F16B 45/002, F16B 45/005, F16B 45/008, F16B 45/012, F16B 45/015, F16B 45/02, F16B 45/021, F16B 45/022, F16B 45/023, F16B 45/024, F16B 45/026, F16B 45/027, F16B 45/028, F16B 45/029, F16B 45/031, F16B 45/032, F16B 45/033, F16B 45/034, F16B 45/035, F16B 45/036, F16B 45/037, F16B 45/04, F16B 45/043, F16B 45/045, F16B 45/047, F16B 45/049, F16B 45/051, F16B 45/053, F16B 45/055, F16B 45/057, F16B 45/059, F16B 45/06
F	Y10T 24/45277	F16B 45/00, F16B 45/002, F16B 45/005, F16B 45/008, F16B 45/012, F16B 45/015, F16B 45/02, F16B 45/021, F16B 45/022, F16B 45/023, F16B 45/024, F16B 45/026, F16B 45/027, F16B 45/028, F16B 45/029, F16B 45/031, F16B 45/032, F16B 45/033, F16B 45/034, F16B 45/035, F16B 45/036, F16B 45/037, F16B 45/04, F16B 45/043, F16B 45/045, F16B 45/047, F16B 45/049, F16B 45/051, F16B 45/053, F16B 45/055, F16B 45/057, F16B 45/059, F16B 45/06
F	Y10T 24/45283	F16B 45/00, F16B 45/002, F16B 45/005, F16B 45/008, F16B 45/012, F16B 45/015, F16B 45/02, F16B 45/021, F16B 45/022, F16B 45/023, F16B 45/024, F16B 45/026, F16B 45/027, F16B 45/028, F16B 45/029, F16B 45/031, F16B 45/032, F16B 45/033, F16B 45/034, F16B 45/035, F16B 45/036, F16B 45/037, F16B 45/04, F16B 45/043, F16B 45/045, F16B 45/047, F16B 45/049, F16B 45/051, F16B 45/053, F16B 45/055, F16B 45/057, F16B 45/059, F16B 45/06
F	Y10T 24/45288	F16B 45/00, F16B 45/002, F16B 45/005, F16B 45/008, F16B 45/012, F16B 45/015, F16B 45/02, F16B 45/021, F16B 45/022, F16B 45/023, F16B 45/024, F16B 45/026, F16B 45/027, F16B 45/028, F16B 45/029, F16B 45/031, F16B 45/032, F16B 45/033, F16B 45/034, F16B 45/035, F16B 45/036, F16B 45/037, F16B 45/04, F16B 45/043, F16B 45/045, F16B 45/047, F16B 45/049, F16B 45/051, F16B 45/053, F16B 45/055, F16B 45/057, F16B 45/059, F16B 45/06
F	Y10T 24/45293	F16B 45/00, F16B 45/002, F16B 45/005, F16B 45/008, F16B 45/012, F16B 45/015, F16B 45/02, F16B 45/021, F16B 45/022, F16B 45/023, F16B 45/024, F16B 45/026, F16B 45/027, F16B 45/028, F16B 45/029, F16B 45/031, F16B 45/032, F16B 45/033, F16B 45/034, F16B 45/035, F16B 45/036, F16B 45/037, F16B 45/04, F16B 45/043, F16B 45/045, F16B 45/047, F16B 45/049, F16B 45/051, F16B 45/053, F16B 45/055, F16B 45/057, F16B 45/059, F16B 45/06

CPC NOTICE OF CHANGES 1077

DATE: MAY 1, 2021

PROJECT RP0241

Type*	From CPC Symbol (existing)	To CPC Symbol(s)
F	Y10T 24/45445	F16B 45/00, F16B 45/002, F16B 45/005, F16B 45/008, F16B 45/012, F16B 45/015, F16B 45/02, F16B 45/021, F16B 45/022, F16B 45/023, F16B 45/024, F16B 45/026, F16B 45/027, F16B 45/028, F16B 45/029, F16B 45/031, F16B 45/032, F16B 45/033, F16B 45/034, F16B 45/035, F16B 45/036, F16B 45/037, F16B 45/04, F16B 45/043, F16B 45/045, F16B 45/047, F16B 45/049, F16B 45/051, F16B 45/053, F16B 45/055, F16B 45/057, F16B 45/059, F16B 45/06
F	Y10T 24/4545	F16B 45/00, F16B 45/002, F16B 45/005, F16B 45/008, F16B 45/012, F16B 45/015, F16B 45/02, F16B 45/021, F16B 45/022, F16B 45/023, F16B 45/024, F16B 45/026, F16B 45/027, F16B 45/028, F16B 45/029, F16B 45/031, F16B 45/032, F16B 45/033, F16B 45/034, F16B 45/035, F16B 45/036, F16B 45/037, F16B 45/04, F16B 45/043, F16B 45/045, F16B 45/047, F16B 45/049, F16B 45/051, F16B 45/053, F16B 45/055, F16B 45/057, F16B 45/059, F16B 45/06
F	Y10T 24/45455	F16B 45/00, F16B 45/002, F16B 45/005, F16B 45/008, F16B 45/012, F16B 45/015, F16B 45/02, F16B 45/021, F16B 45/022, F16B 45/023, F16B 45/024, F16B 45/026, F16B 45/027, F16B 45/028, F16B 45/029, F16B 45/031, F16B 45/032, F16B 45/033, F16B 45/034, F16B 45/035, F16B 45/036, F16B 45/037, F16B 45/04, F16B 45/043, F16B 45/045, F16B 45/047, F16B 45/049, F16B 45/051, F16B 45/053, F16B 45/055, F16B 45/057, F16B 45/059, F16B 45/06
C	Y10T 24/4764	Y10T 24/4764, F16B 45/00, F16B 45/002, F16B 45/005, F16B 45/008, F16B 45/012, F16B 45/015, F16B 45/02, F16B 45/021, F16B 45/022, F16B 45/023, F16B 45/024, F16B 45/026, F16B 45/027, F16B 45/028, F16B 45/029, F16B 45/031, F16B 45/032, F16B 45/033, F16B 45/034, F16B 45/035, F16B 45/036, F16B 45/037, F16B 45/04, F16B 45/043, F16B 45/045, F16B 45/047, F16B 45/049, F16B 45/051, F16B 45/053, F16B 45/055, F16B 45/057, F16B 45/059, F16B 45/06

* C = entries with modified file scope where reclassification of documents from the entries is involved; Q = new entries which are firstly populated with documents via administrative transfers from deleted (D) entries. Afterwards, the transferred documents into the Q entry will either stay or be moved to more appropriate entries, as determined by intellectual reclassification; D = deleted entries; F = frozen entries will be deleted once reclassification of documents from the entries is completed.

NOTES:

- Only C, D, F, and Q type entries are included in the table above.
- When multiple symbols are included in the “To” column, do not use ranges of symbols.
- For administrative transfer of documents, the following text should be used: “< administrative transfer to XX>”, “<administrative transfer to XX and YY simultaneously>”, or “<administrative transfer to XX, YY, ...and ZZ simultaneously>” when administrative transfer of the same documents is to more than one place.
- Administrative transfer to main trunk groups is assumed to be the source allocation type, unless otherwise indicated.
- Administrative transfer to 2000/Y series groups is assumed to be “additional information”.
- If needed, instructions for allocation type should be indicated within the angle brackets using the abbreviations “ADD” or “INV”: <administrative transfer to XX ADD>, <administrative transfer to XX INV>, or < administrative transfer to XX ADD, YY INV, ... and ZZ ADD simultaneously>.
- In certain situations, the “D” entries of 2000-series or Y-series groups may not require a destination (“To”) symbol, however it is required to specify “<no transfer>” in the “To” column for such cases.
- RCL is not needed for finalisation projects.

CPC NOTICE OF CHANGES 1077

DATE: MAY 1, 2021

PROJECT RP0241

4. CHANGES TO THE CPC-TO-IPC CONCORDANCE LIST (CICL)

CPC	IPC	Action*
F16B 45/002	F16B 45/00	NEW
F16B 45/005	F16B 45/00	NEW
F16B 45/008	F16B 45/00	NEW
F16B 45/012	F16B 45/00	NEW
F16B 45/015	F16B 45/00	NEW
F16B 45/021	F16B 45/02	NEW
F16B 45/022	F16B 45/02	NEW
F16B 45/023	F16B 45/02	NEW
F16B 45/024	F16B 45/02	NEW
F16B 45/025	F16B 45/02	DELETE
F16B 45/026	F16B 45/02	NEW
F16B 45/027	F16B 45/02	NEW
F16B 45/028	F16B 45/02	NEW
F16B 45/029	F16B 45/02	NEW
F16B 45/031	F16B 45/02	NEW
F16B 45/032	F16B 45/02	NEW
F16B 45/033	F16B 45/02	NEW
F16B 45/034	F16B 45/02	NEW
F16B 45/035	F16B 45/02	NEW
F16B 45/036	F16B 45/02	NEW
F16B 45/037	F16B 45/02	NEW
F16B 45/043	F16B 45/04	NEW
F16B 45/045	F16B 45/04	NEW
F16B 45/047	F16B 45/04	NEW
F16B 45/049	F16B 45/04	NEW
F16B 45/051	F16B 45/04	NEW
F16B 45/053	F16B 45/04	NEW
F16B 45/055	F16B 45/04	NEW
F16B 45/057	F16B 45/04	NEW
F16B 45/059	F16B 45/04	NEW

*Action column:

- For an (N) or (Q) entry, provide an IPC symbol and complete the Action column with “NEW.”
- For an existing CPC main trunk entry or indexing entry where the existing IPC symbol needs to be changed, provide an updated IPC symbol and complete the Action column with “UPDATED.”
- For a (D) CPC entry or indexing entry complete the Action column with “DELETE.” IPC symbol does not need to be included in the IPC column.
- For an (N) 2000 series CPC entry which is positioned within the main trunk scheme (breakdown code) provide an IPC symbol and complete the action column with “NEW”.
- For an (N) 2000 series CPC entry positioned at the end of the CPC scheme (orthogonal code), with no IPC equivalent, complete the IPC column with “CPCONLY” and complete the action column with “NEW”.

NOTES:

- F symbols are not included in the CICL table above.

T and M symbols are not included in the CICL table above unless a change to the existing IPC is desi