

EUROPEAN PATENT OFFICE
U.S. PATENT AND TRADEMARK OFFICE

CPC NOTICE OF CHANGES 1129

DATE: AUGUST 1, 2021

PROJECT RP0601

The following classification changes will be effected by this Notice of Changes:

<u>Action</u>	<u>Subclass</u>	<u>Group(s)</u>
SCHEME:		
Symbols New:	F25C	5/142
	F25C	2305/0221, 2305/024
Titles Changed:	F25C	1/08
Warnings New:	F25C	1/147
	F25C	5/14, 5/142
DEFINITIONS:		
Definitions New:	F25C	1/04, 1/045, 1/08, 1/12, 1/125, 1/14, 1/142, 1/145, 1/147, 1/243, 1/246
	F25C	5/04, 5/06, 5/14
Definitions Modified:	F25C	1/00, 1/06, 1/10, 1/22, 1/24
	F25C	5/02, 5/043, 5/046, 5/12

No other subclasses/groups are impacted by this Notice of Changes.

This Notice of Changes includes the following [Check the ones included]:

1. CLASSIFICATION SCHEME CHANGES

- A. New, Modified or Deleted Group(s)
- B. New, Modified or Deleted Warning(s)
- C. New, Modified or Deleted Note(s)
- D. New, Modified or Deleted Guidance Heading(s)

2. DEFINITIONS

- A. New or Modified Definitions (Full definition template)
- B. Modified or Deleted Definitions (Definitions Quick Fix)

3. REVISION CONCORDANCE LIST (RCL)

4. CHANGES TO THE CPC-TO-IPC CONCORDANCE LIST (CICL)

5. CHANGES TO THE CROSS-REFERENCE LIST (CRL)

CPC NOTICE OF CHANGES 1129

DATE: AUGUST 1, 2021

PROJECT RP0601

1. CLASSIFICATION SCHEME CHANGES

A. New, Modified or Deleted Group(s)

SUBCLASS F25C - PRODUCING, WORKING OR HANDLING ICE

<u>Type*</u>	<u>Symbol</u>	<u>Indent Level Number of dots (e.g. 0, 1, 2)</u>	<u>Title</u> <u>“CPC only” text should normally be enclosed in {curly brackets}**</u>	<u>Transferred to#</u>
U	F25C	Subclass	PRODUCING, WORKING OR HANDLING ICE	
M	F25C1/08	1	by immersing freezing chambers {, cylindrical bodies } or plates into water	
U	F25C1/145	3	from the inner walls of cooled bodies	
C	F25C1/147	4	by using augers	F25C1/147, F25C5/142
C	F25C5/14	1	Apparatus for shaping or finishing ice pieces, e.g. ice presses	F25C5/14, F25C5/142
N	F25C5/142	2	{extrusion of ice crystals}	
U	F25C2305/00	0	Special arrangements or features for working or handling ice	
C	F25C2305/022	1	Harvesting ice including rotating or tilting or pivoting of a mould or tray	F25C2305/022 F25C2305/0221 F25C2305/024
N	F25C2305/0221	2	rotating ice mould	
N	F25C2305/024	1	Rotating rake	

*N= new entries where reclassification into entries is involved; C= entries with modified file scope where reclassification of documents from the entries is involved; Q= new entries which are firstly populated with documents via administrative transfers from deleted (D) entries. Afterwards, the transferred documents into the Q entry will either stay or be moved to more appropriate entries, as determined by intellectual reclassification; T= existing entries with enlarged file scope, which receive documents from C or D entries, e.g. when a limiting reference is removed from the entry title; M = entries with no change to the file scope (no reclassification); D= deleted entries; F= frozen entries will be deleted once reclassification of documents from the entries is completed; U= entries that are unchanged.

NOTES:

- **No {curly brackets} are used for titles in CPC only subclasses, e.g. C12Y, A23Y; 2000 series symbol titles of groups found at the end of schemes (orthogonal codes); or the Y section titles. The {curly brackets} are used for 2000 series symbol titles found interspersed throughout the main trunk schemes (breakdown codes).
- U groups: it is obligatory to display the required “anchor” symbol (U group), i.e. the entry immediately preceding a new group or an array of new groups to be created (in case new groups are not clearly subgroups of C-type groups). Always include the symbol, indent level and title of the U group in the table above.
- All entry types should be included in the scheme changes table above for better understanding of the overall scheme change picture. Symbol, indent level, and title are required for all types.
- “Transferred to” column must be completed for all C, D, F, and Q type entries. F groups will be deleted once reclassification is completed.

CPC NOTICE OF CHANGES 1129

DATE: AUGUST 1, 2021

PROJECT RP0601

- When multiple symbols are included in the “Transferred to” column, avoid using ranges of symbols in order to be as precise as possible.
- For administrative transfer of documents, the following text should be used: “<administrative transfer to XX>”, “<administrative transfer to XX and YY simultaneously>”, or “<administrative transfer to XX, YY, ...and ZZ simultaneously>” when administrative transfer of the same documents is to more than one place.
- Administrative transfer to main trunk groups is assumed to be the source allocation type, unless otherwise indicated.
- Administrative transfer to 2000/Y series groups is assumed to be “additional information”.
- If needed, instructions for allocation type should be indicated within the angle brackets using the abbreviations “ADD” or “INV”: <administrative transfer to XX ADD>, <administrative transfer to XX INV>, or <administrative transfer to XX ADD, YY INV, ... and ZZ ADD simultaneously>.
- In certain situations, the “D” entries of 2000-series or Y-series groups may not require a destination (“Transferred to”) symbol, however it is required to specify “<no transfer>” in the “Transferred to” column for such cases.
- For finalisation projects, the deleted “F” symbols should have <no transfer> in the “Transferred to” column.
- For more details about the types of scheme change, see CPC Guide.

CPC NOTICE OF CHANGES 1129

DATE: AUGUST 1, 2021

PROJECT RP0601

B. New, Modified or Deleted Warning(s)

SUBCLASS F25C - PRODUCING, WORKING OR HANDLING ICE

<u>Type*</u>	<u>Location</u>	<u>Old Warning</u>	<u>New/Modified Warning</u>
N	F25C 1/147		Group F25C 1/147 is impacted by reclassification into group F25C 5/142. Groups F25C 1/147 and F25C 5/142 should be considered in order to perform a complete search.
N	F25C 5/14		Group F25C 5/14 is impacted by reclassification into group F25C 5/142. Groups F25C 5/14 and F25C 5/142 should be considered in order to perform a complete search.
N	F25C 5/142		Group F25C 5/142 is incomplete pending reclassification of documents from groups F25C 1/147 and F25C 5/14. Groups F25C 1/147, F25C 5/14, and F25C 5/142 should be considered in order to perform a complete search.

*N = new warning, M = modified warning, D = deleted warning

NOTE: The "Location" column only requires the symbol PRIOR to the location of the warning. No further directions such as "before" or "after" are required.

2. A. DEFINITIONS (New)

F25C1/04

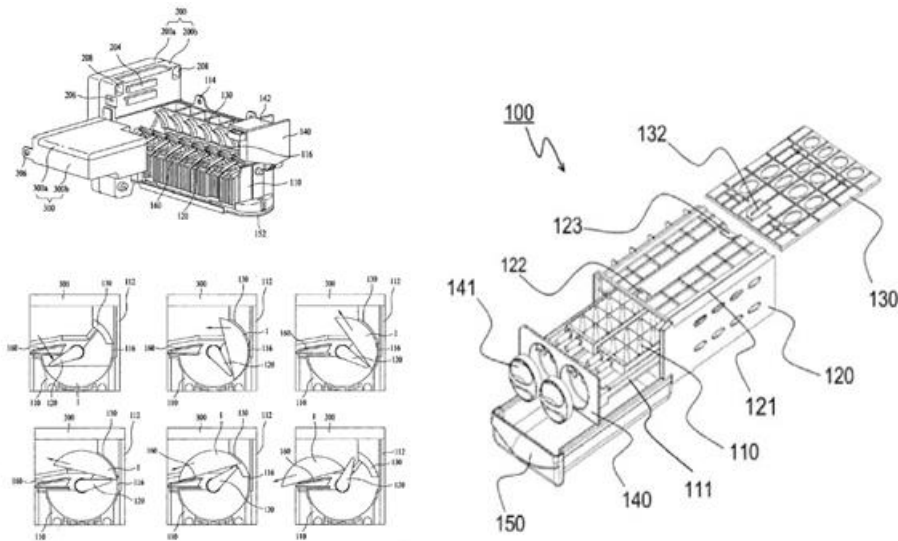
Definition statement

This place covers:

Automatic ice producing units using moulds which are not rotated or moved during freezing of the water.

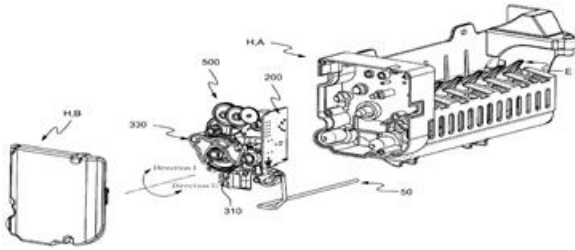
Drive units to harvest ice of automatic ice makers with stationary mould during freezing.

Illustrative example of subject matter classified in this group.



DATE: AUGUST 1, 2021

PROJECT RP0601



References

Informative references

Attention is drawn to the following places, which may be of interest for search:

Producing ice by using rotating or otherwise moving moulds	F25C1/10
Ice trays positioned manually inside a freezer after being filled manually with water	F25C1/24
Harvesting ice including rotating or tilting or pivoting of a mould or tray	F25C2305/022
Refrigerator units	F25C2400/10
Using Peltier effects	F25B2321/02
Fan speed control of evaporator fans	F25B2600/112
Forced air circulation	F25D17/065
Through special compartments	F25D2317/061
Along the inside of doors	F25D2317/062
With air guides	F25D2317/063
characterized by the air return	F25D2317/065
characterized by the air supply	F25D2317/066
characterized by the air ducts	F25D2317/067
characterized by the fans	F25D2317/068

Special rules of classification

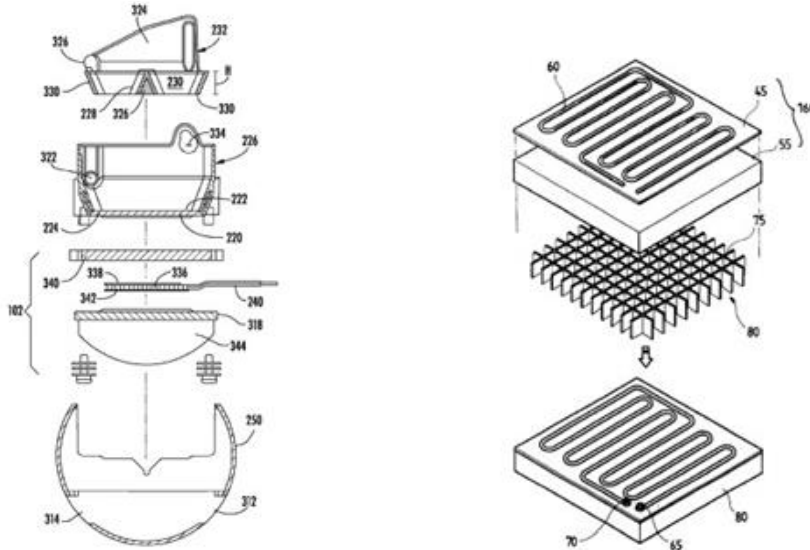
Multiple classification in F25C1/22 are necessary when constructional details of the mould itself are claimed.

Multiple classification in F25C1/04 and F25B when the mould is cooled by:

DATE: AUGUST 1, 2021

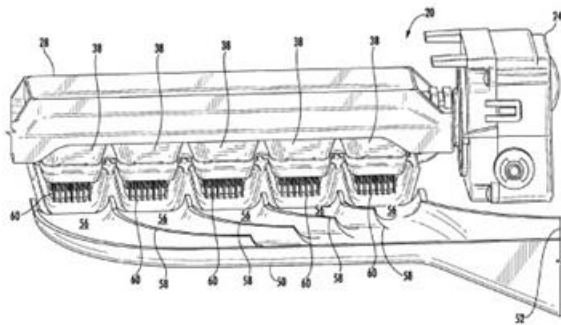
PROJECT RP0601

- a Peltier element (F25B21/02) or
- an evaporator (F25B39/02).



Multiple classification in F25C1/04 and F25D when the mould is cooled by

- forced air circulation (F25D17/065).



Multiple classification in F25C2400/10 when the automatic ice producing unit is placed inside a household refrigerator.

DATE: AUGUST 1, 2021

PROJECT RP0601

F25C1/045

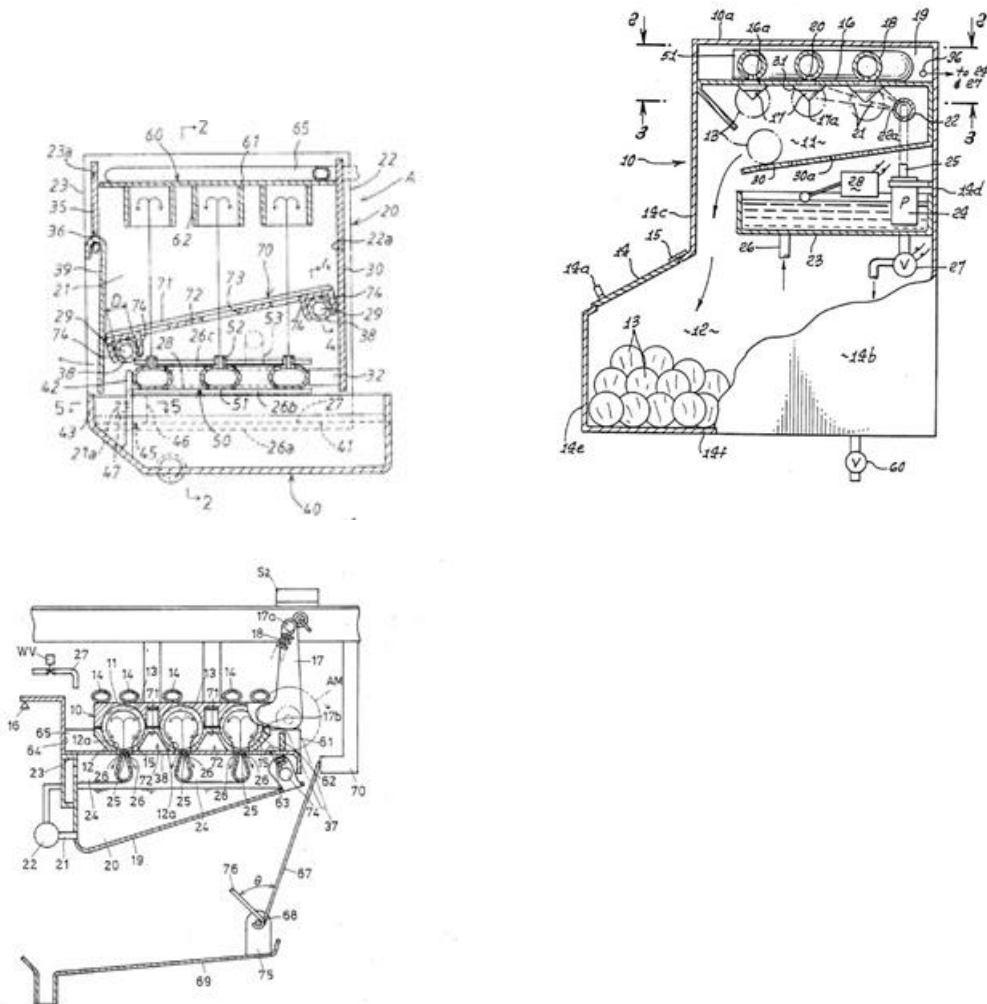
Definition statement

This place covers:

Automatic ice producing units using moulds which are not rotated or moved during freezing of the water, the mould has an open end pointing downwards.

Drive units to harvest ice for automatic ice makers with stationary mould during freezing, the mould with the open end pointing downwards.

Illustrative example of subject matter classified in this group.



DATE: AUGUST 1, 2021

PROJECT RP0601

References

Informative references

Attention is drawn to the following places, which may be of interest for search:

Harvesting ice including rotating or tilting or pivoting of a mould or tray	F25C2305/022
---	------------------------------

Special rules of classification

Multiple classification in F25C1/22 when constructional details of the mould itself are claimed.

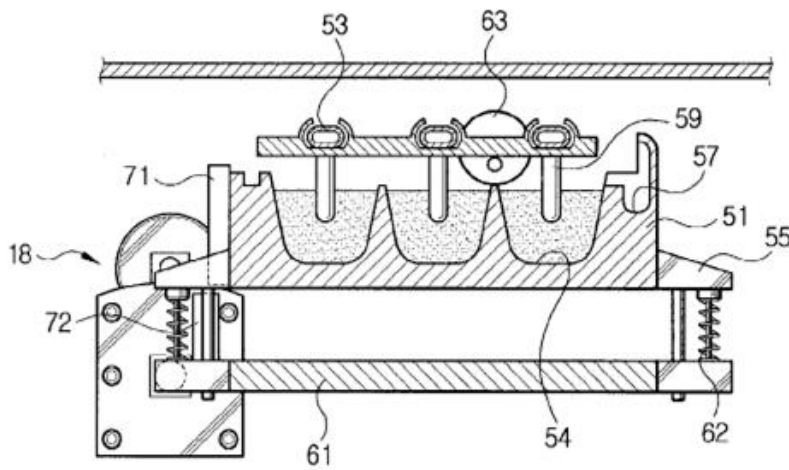
F25C1/08

Definition statement

This place covers:

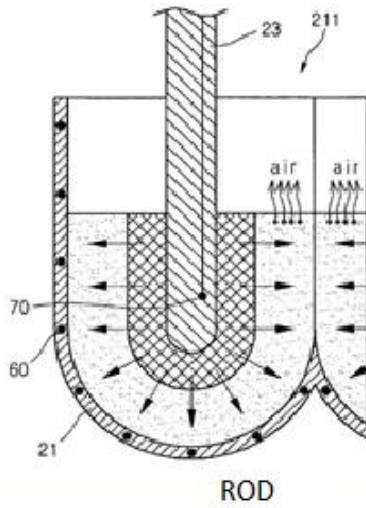
Producing ice by immersing cooling fingers, rods, conduits, pipes, chambers or plates into water.

Illustrative example of subject matter classified in this group.

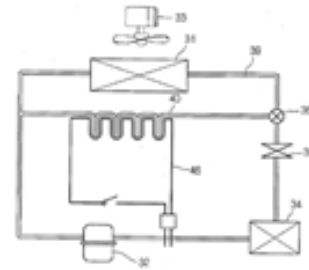


DATE: AUGUST 1, 2021

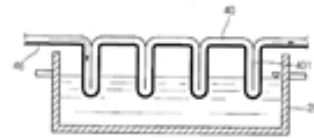
PROJECT RP0601



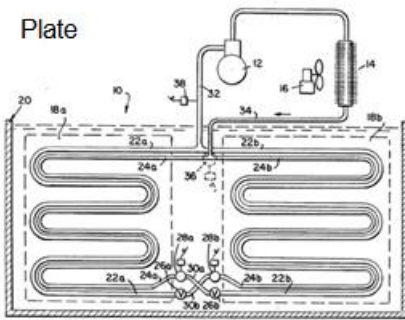
ROD



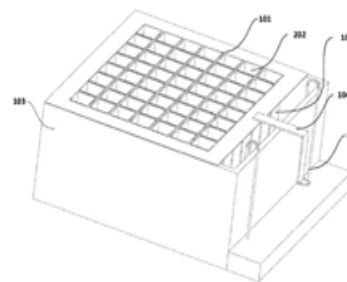
Evaporator



Plate



Chamber



Informative references

Attention is drawn to the following places, which may be of interest for search:

Producing ice by freezing water on cooled surfaces, e.g. to form slabs

[F25C1/12](#)

Relationships with other classification places

DATE: AUGUST 1, 2021

PROJECT RP0601

In this subgroup multiple classification in F25B21/02 for cooling the cold finger with a Peltier device is used.

In this subgroup multiple classification in F25B39/02 for cooling the cold finger with refrigerant evaporating in an evaporator.

F25C1/12

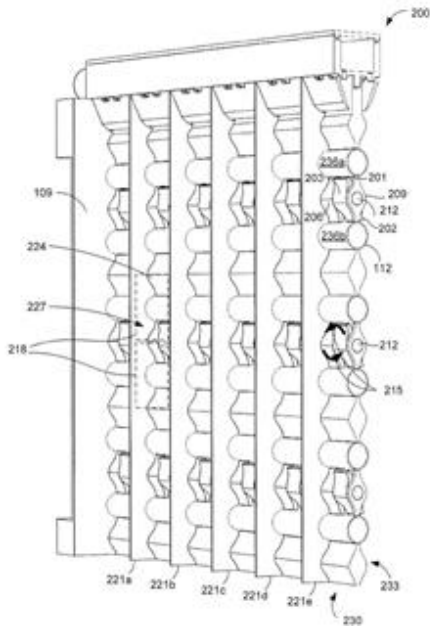
Definition statement

This place covers:

Producing ice by freezing water on cooled surfaces.

Ice slabs.

Illustrative example of subject matter classified in this group.



DATE: AUGUST 1, 2021

PROJECT RP0601

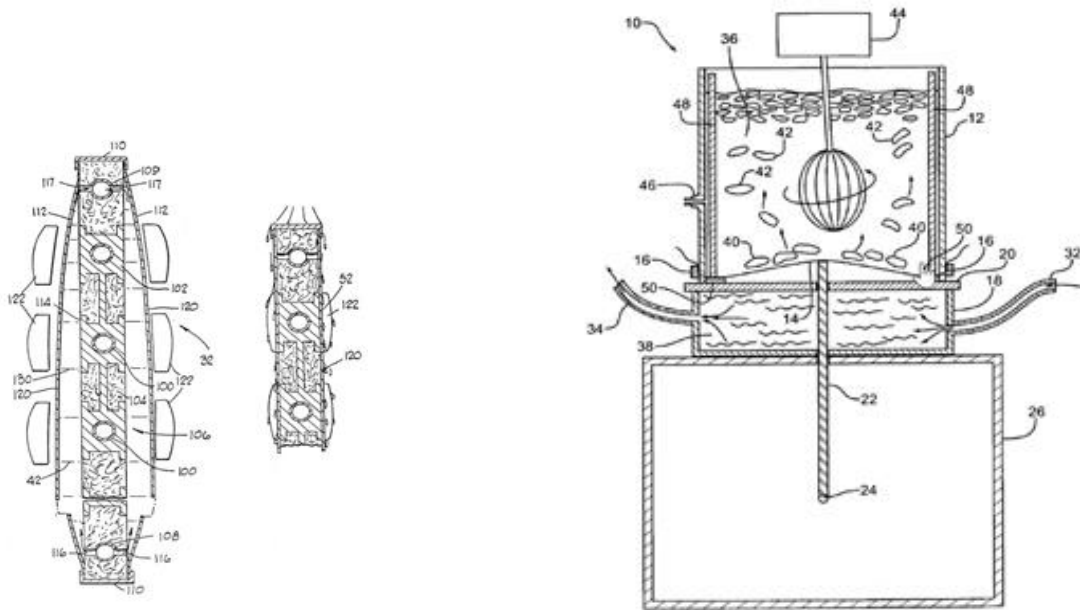
F25C1/125

Definition statement

This place covers:

Producing ice by freezing water on flexible surfaces.

Illustrative example of subject matter classified in this group.



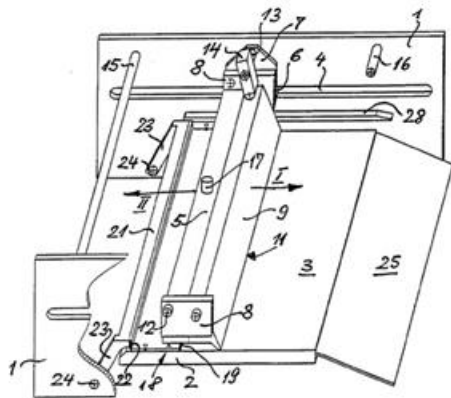
F25C1/14

Definition statement

This place covers:

Producing ice by freezing water on cooled flat surfaces to form thin sheets which are removed by scraping or wedging, e.g. in the form of flakes.

Illustrative example of subject matter classified in this group.



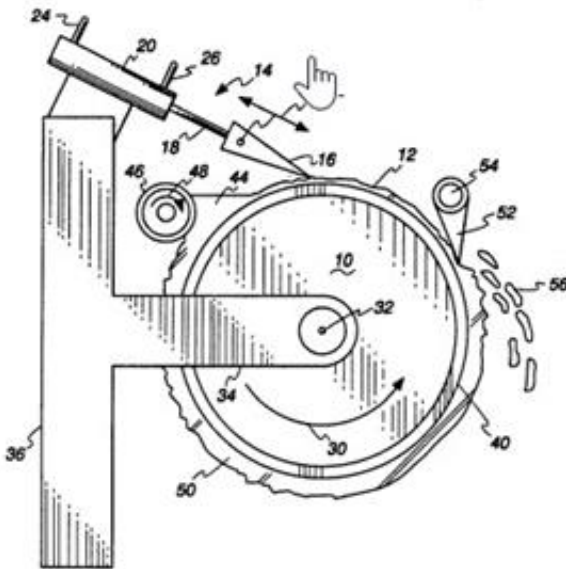
F25C1/142

Definition statement

This place covers:

Producing ice by freezing water on cooled surfaces to form thin sheets which are removed by scraping or wedging from the outer walls of cooled bodies.

Illustrative example of subject matter classified in this group.



DATE: AUGUST 1, 2021

PROJECT RP0601

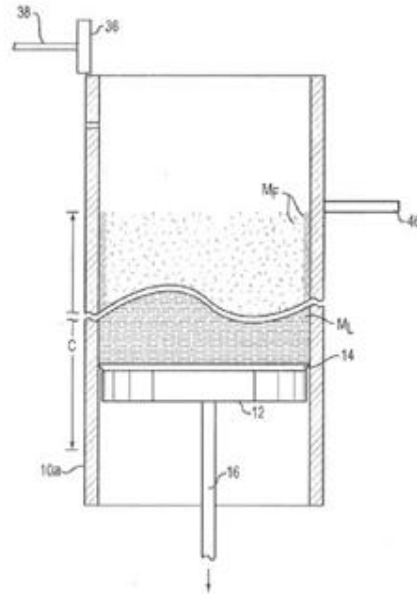
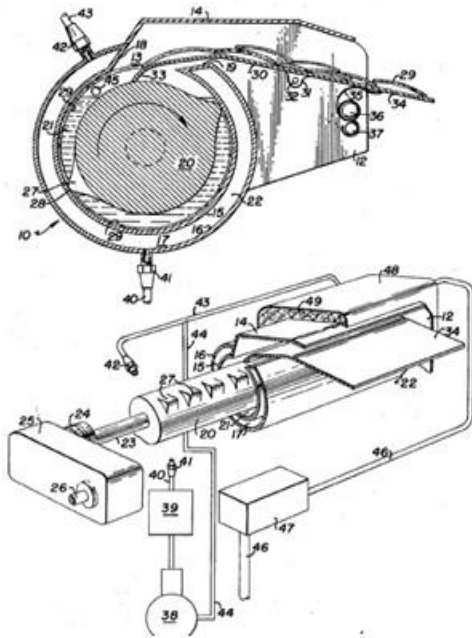
F25C1/145

Definition statement

This place covers:

Producing ice by freezing water on cooled surfaces to form thin sheets which are removed by scraping or wedging from the inner walls of cooled bodies.

Illustrative example of subject matter classified in this group.



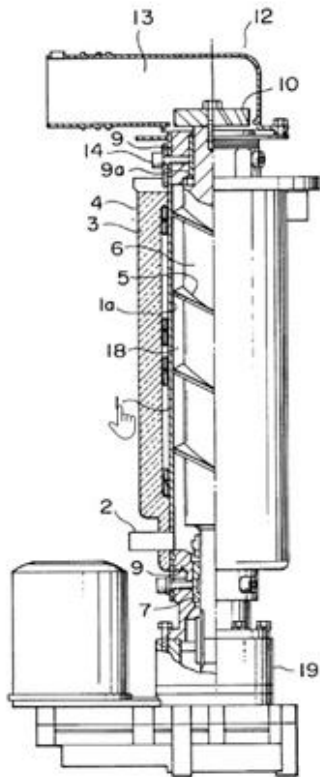
F25C1/147

Definition statement

This place covers:

Producing ice by freezing water to form thin sheets which are removed from the inner walls of cooled bodies by using augers.

Illustrative example of subject matter classified in this group.



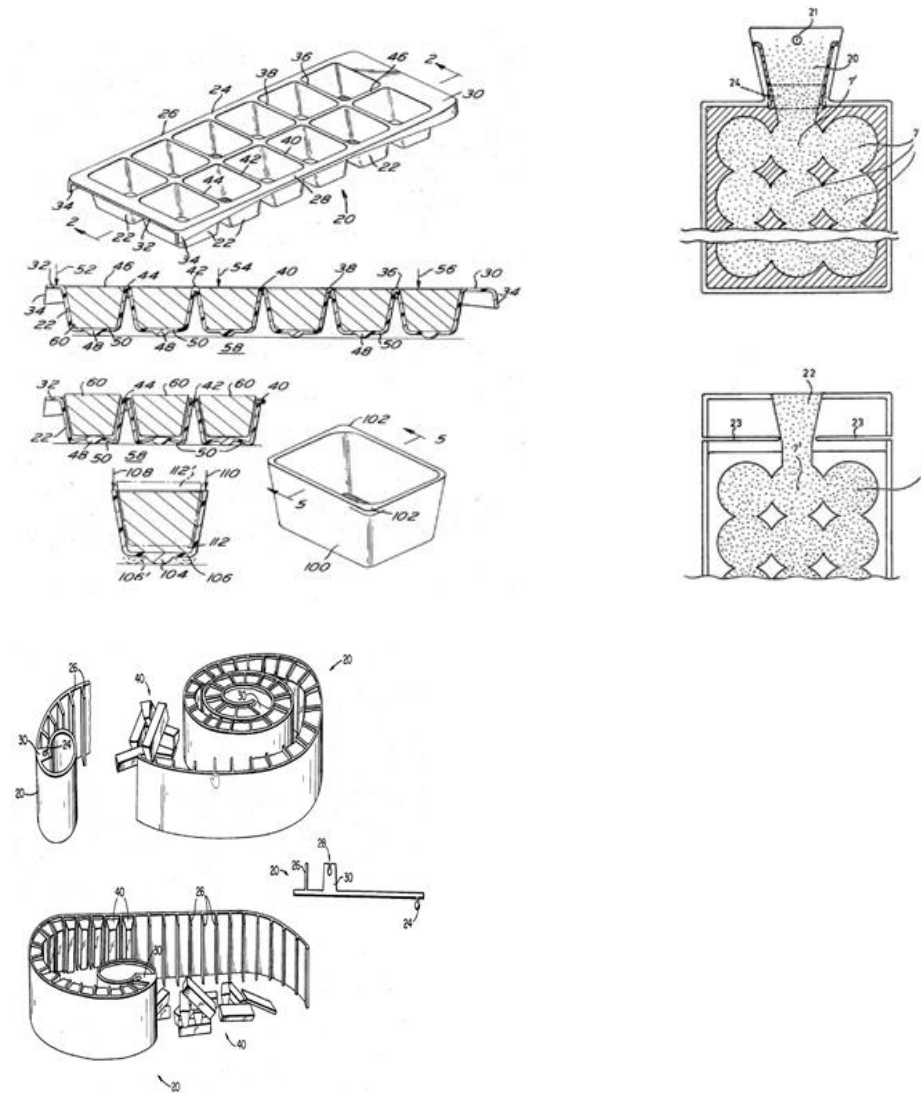
F25C1/243

Definition statement

This place covers:

Construction of moulds to be filled by water manually and placed inside refrigerators manually, the moulds made of plastics, e.g. silicone.

Illustrative example of subject matter classified in this group.



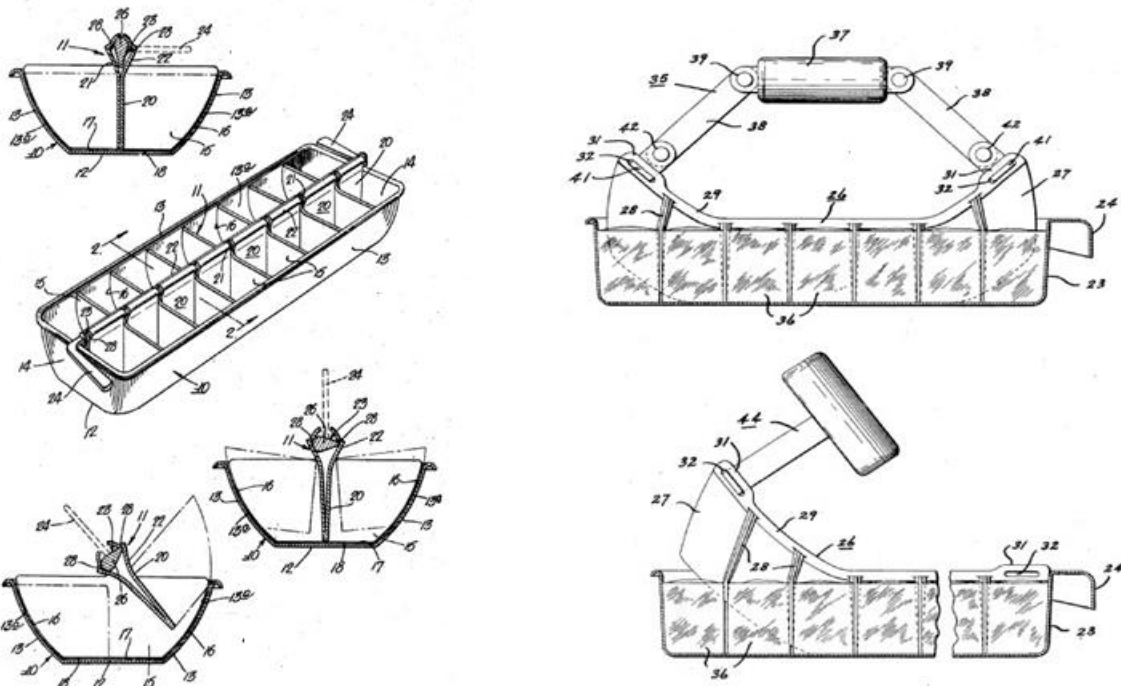
F25C1/246

Definition statement

This place covers:

Construction of moulds to be filled manually with water and placed manually inside a refrigerator, the mould has a separate grid structure.

Illustrative example of subject matter classified in this group.



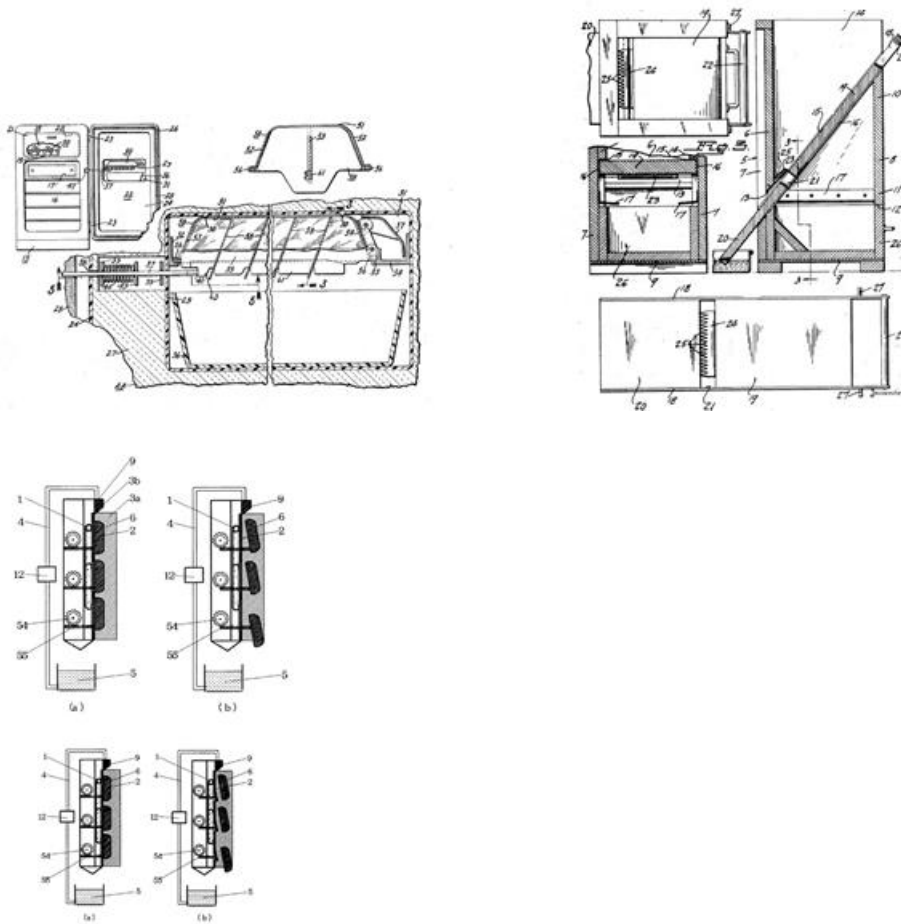
F25C5/04

Definition statement

This place covers:

Harvesting of ice by ejectors or pushing members without heating of the mould. Ice cutters.

Illustrative example of subject matter classified in this group.



References

Informative references

Attention is drawn to the following places, which may be of interest for search:

Producing ice by using stationary moulds	F25C1/04
Producing ice by heating bodies in contact with the ice	F25C5/08
Rotating rakes	F25C2305/024
Ice augers for drilling holes for ice-fishing	A01K97/01
Drilling ice or a formation covered by ice	E21B7/008

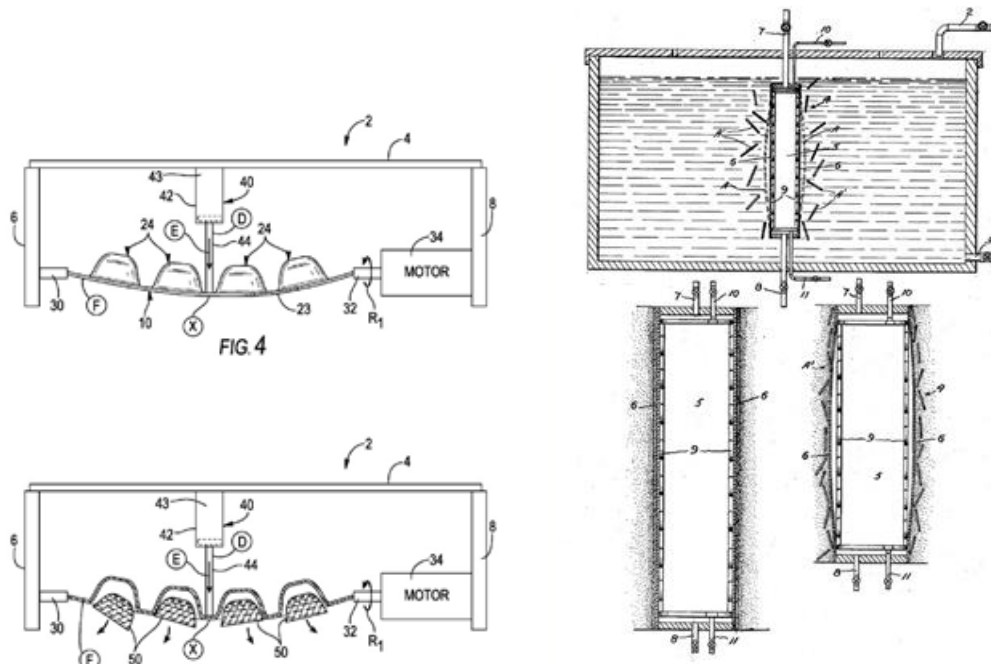
F25C5/06

Definition statement

This place covers:

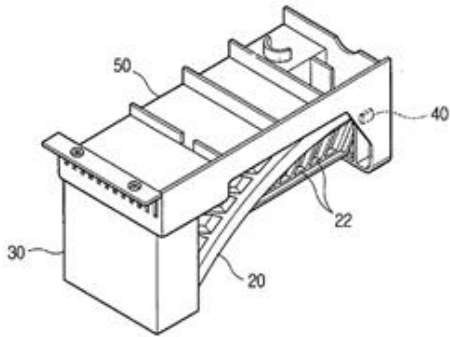
Apparatus for disintegrating, removing or harvesting ice by deforming bodies with which the ice is in contact, by deforming the mould, e.g. by twisting the mould or using inflatable members.

Illustrative example of subject matter classified in this group.



DATE: AUGUST 1, 2021

PROJECT RP0601



F25C5/14

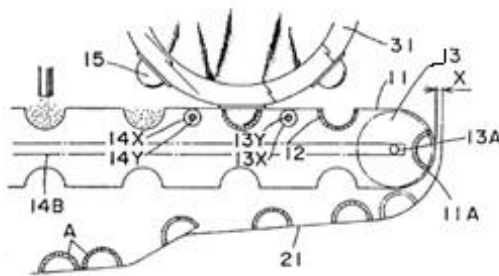
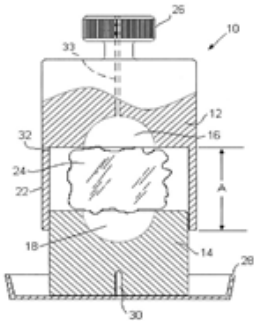
Definition statement

This place covers:

Moulding ice.

Scoring ice.

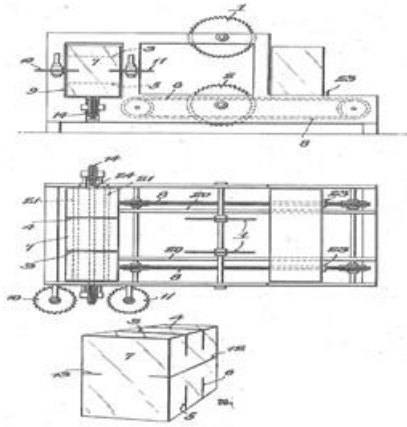
Illustrative example of subject matter classified in this group.



CPC NOTICE OF CHANGES 1129

DATE: AUGUST 1, 2021

PROJECT RP0601



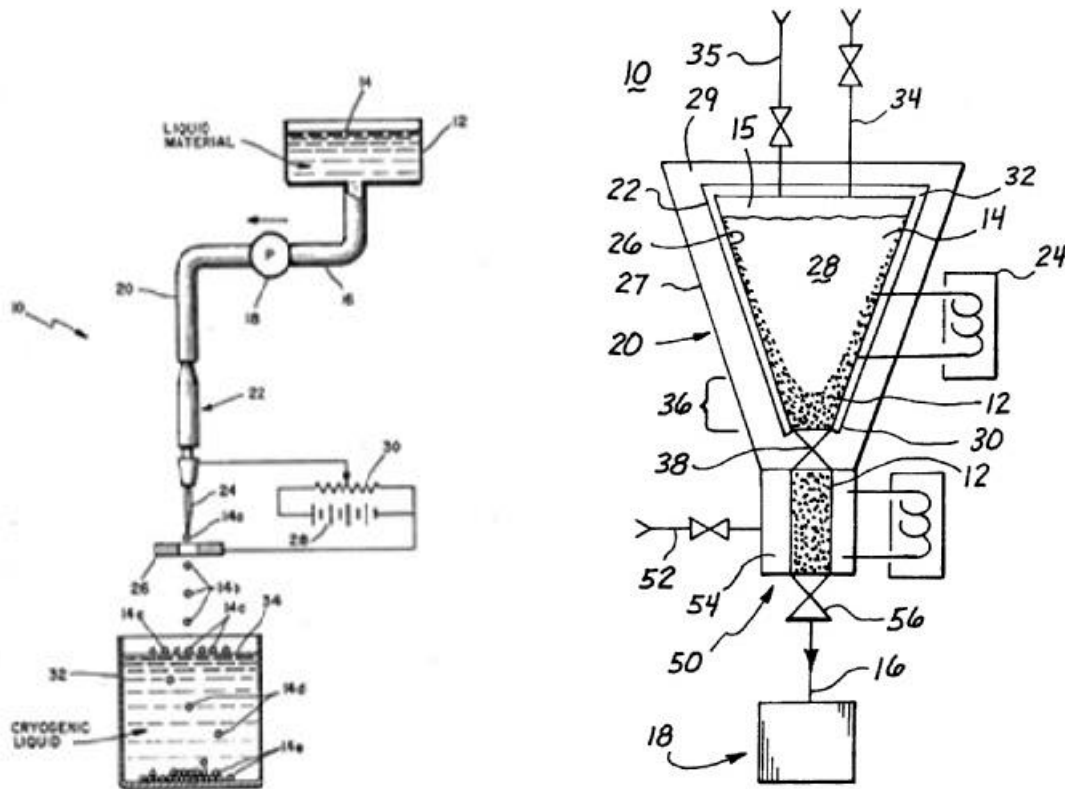
2. A. DEFINITIONS (modified)

F25C 1/00

Definition statement

Insert: New sentence and image into the existing Definition statement.

Illustrative example of subject matter classified in this group.



References

DATE: AUGUST 1, 2021

PROJECT RP0601

Informative references:Insert: The following new rows in the Informative references table:

Forced air circulation with compartments at different temperature	F25D17/065
Forced air circulation through special compartments	F25D2317/061
Forced air circulation with air guides	F25D2317/063
Forced air circulation characterized by the air return	F25D2317/065
Forced air circulation characterized by the air supply	F25D2317/066
Forced air circulation characterized by air ducts	F25D2317/067
Forced air circulation characterized by the fans	F25D2317/068

Insert: New Special rules of classification section and text.**Special rules of classification**

Multiple classification in F25D17/06 for the air flow to cool the ice mould.

Multiple classification in F25B21/02 for cooling the ice mould with a Peltier element.

Multiple classification in F25B39/02 for cooling the ice mould with an evaporator.

F25C 1/06**Definition statement**Replace: Existing Definition statement with the updated one below, including the new images.

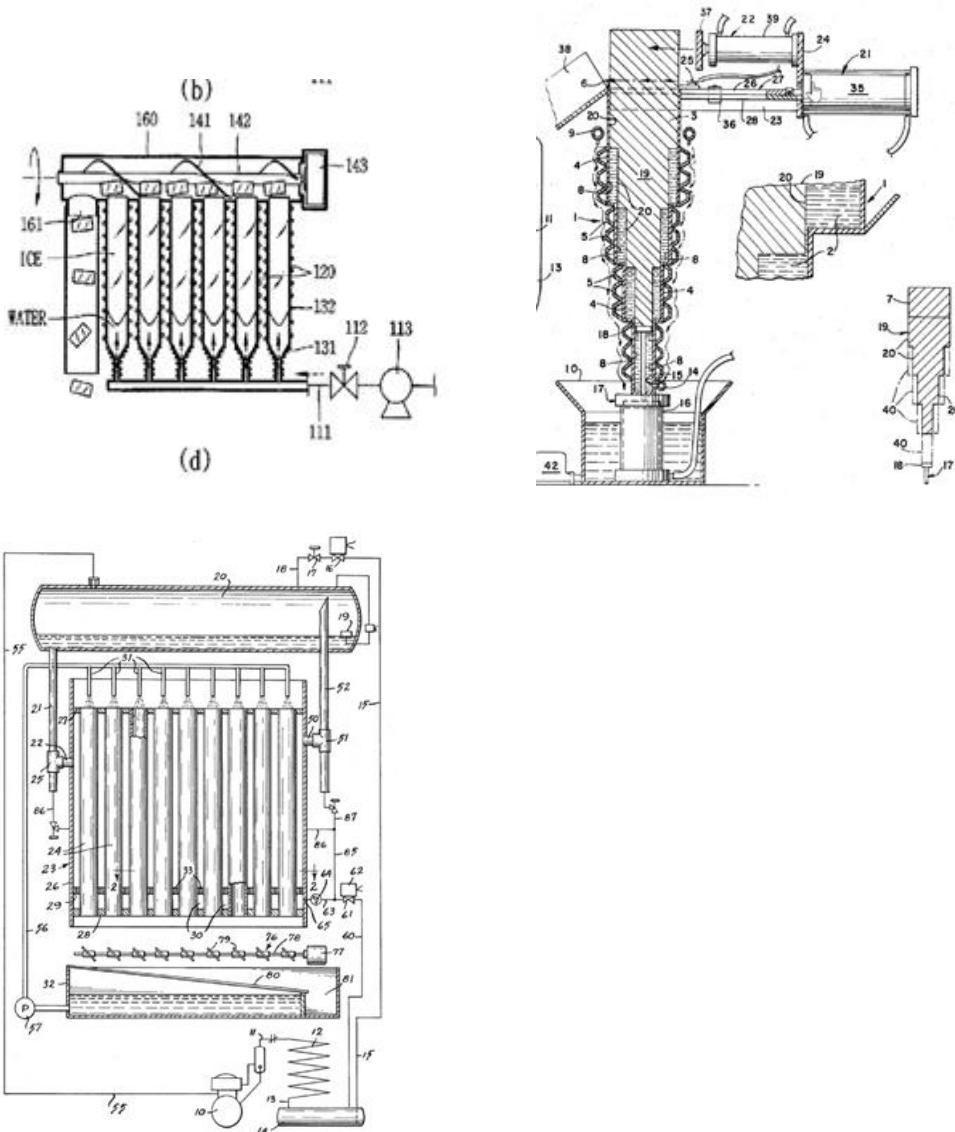
DATE: AUGUST 1, 2021

PROJECT RP0601

Automatic ice producing units using moulds which are not rotated or moved during freezing of the water, the mould is open or openable at both ends.

Production of bar-ice.

Illustrative example of subject matter classified in this group.



F25C1/10

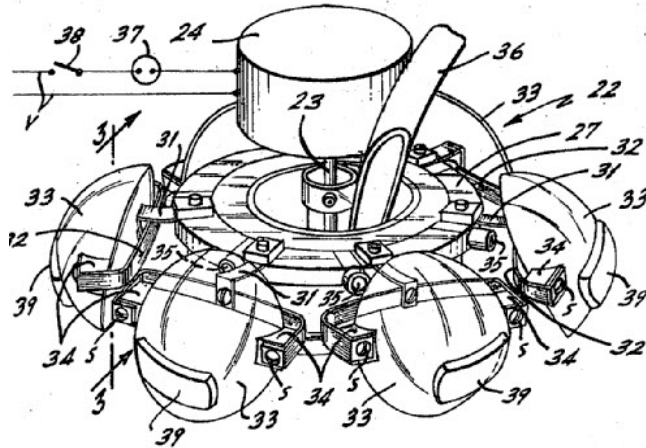
Definition statement

Replace: Existing Definition statement with the one below.

Insert: New images shown below:

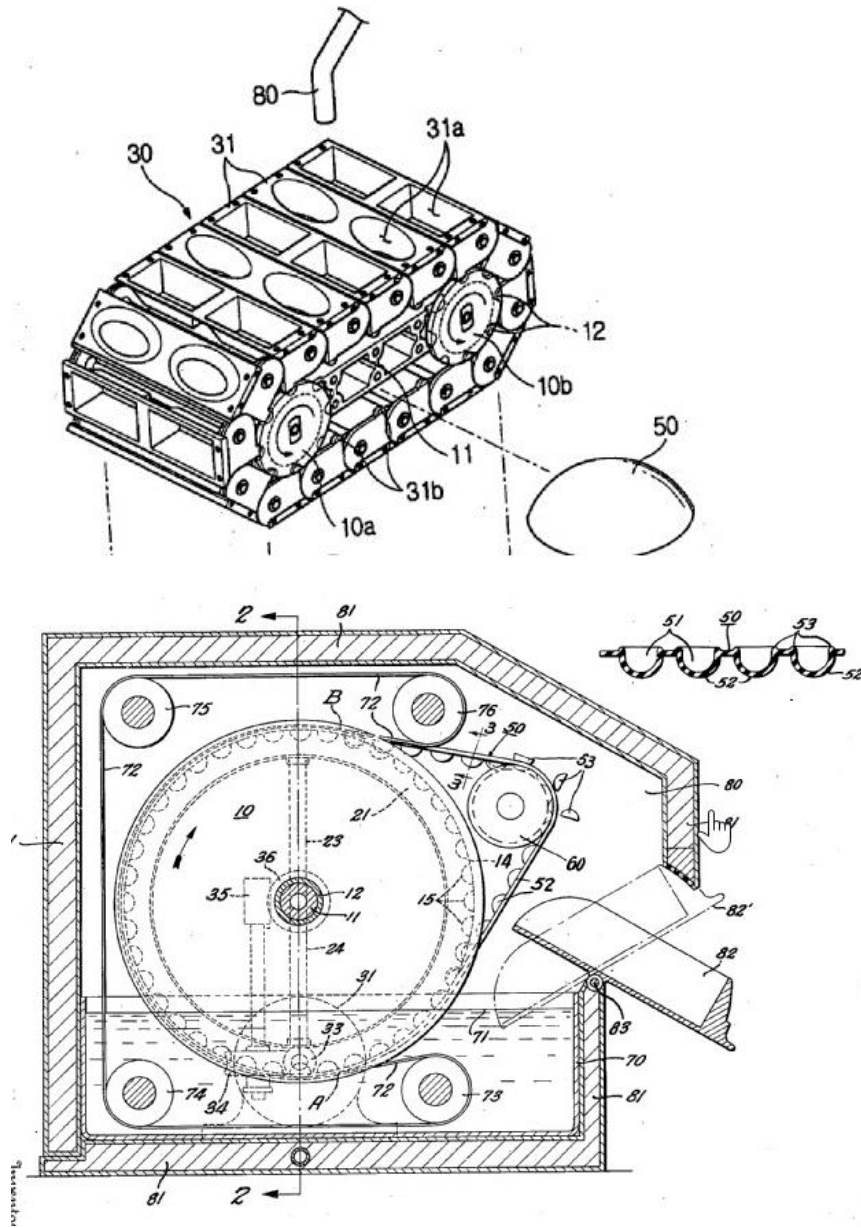
Producing ice by using rotating or otherwise moving moulds during freezing of water.

Illustrative example of subject matter classified in this group.



DATE: AUGUST 1, 2021

PROJECT RP0601



References

Insert: New Informative references section and table.

Informative references

Attention is drawn to the following places, which may be of interest for search:

DATE: AUGUST 1, 2021

PROJECT RP0601

By using stationary moulds	F25C1/04
----------------------------	----------

Special rules of classification

Replace: Existing Special rules of classification text with the modified text below:

Rotation of moulds during harvesting of ice is classified in [F25C5/02](#) or lower and [F25C2305/022](#).

F25C 1/22

Definition statement

Insert: New Definition statement.

Moulds for non-automatic ice production.

Constructional details of moulds of automatic ice production.

References

Informative references:

Insert: The word “by” after Metering and before Volume.

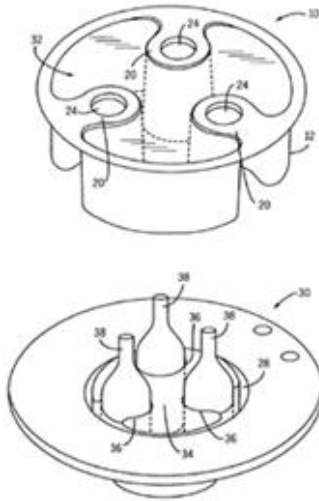
Metering by volume in general	G01F
-------------------------------	------

Insert: New Special rules of classification and new images.

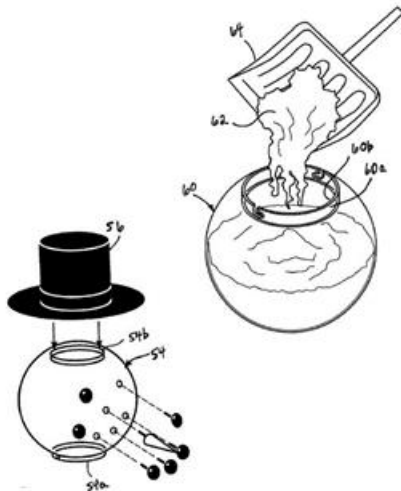
Special rules of classification

Multiple classification in F25C1/04 when an automatic ice producing unit with stationary mould is claimed.

Multiple classification in F25D3/08 when ice produced in mould is used to cool glasses, bottles, etc.



Multiple classification in F25C3/00 when mould is used to create a snow sculpture.



DATE: AUGUST 1, 2021

PROJECT RP0601

F25C1/24

Definition statement

Insert: New Definition statement.

Construction of moulds to be filled by tap water manually and placed inside refrigerators manually.

References

Insert: New Informative references section and table.

Informative references

Attention is drawn to the following places, which may be of interest for search:

Producing ice by using stationary moulds	F25C1/04
--	--------------------------

F25C 5/02

Definition statement

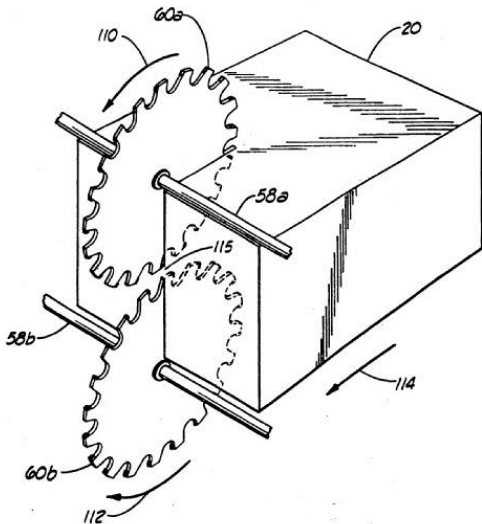
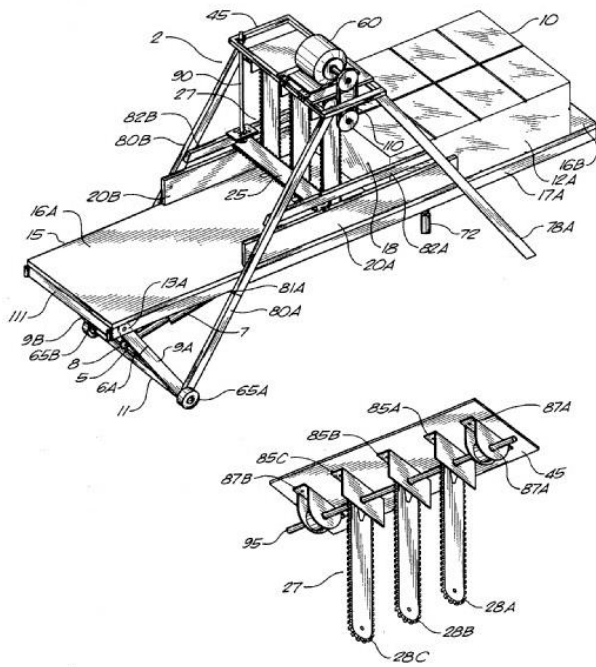
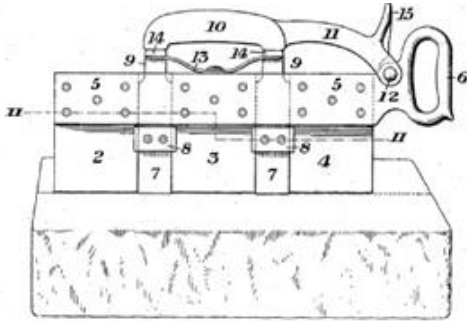
Insert: New Definition statement and images.

Apparatus for disintegrating, removing or harvesting ice by using saws.

Illustrative example of subject matter classified in this group.

DATE: AUGUST 1, 2021

PROJECT RP0601



DATE: AUGUST 1, 2021

PROJECT RP0601

References

Insert: New Informative references section and table.

Informative references

Attention is drawn to the following places, which may be of interest for search:

Producing ice by freezing water on cooled surfaces to form thin sheets which are removed by scraping or wedging	F25C1/14
Scoring of ice by saws	F25C5/14
Air guides	F25D

F25C5/043

Definition statement

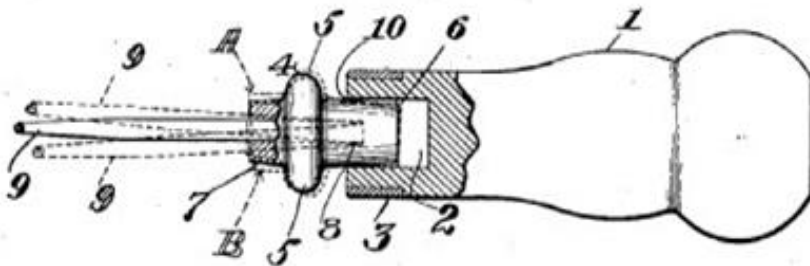
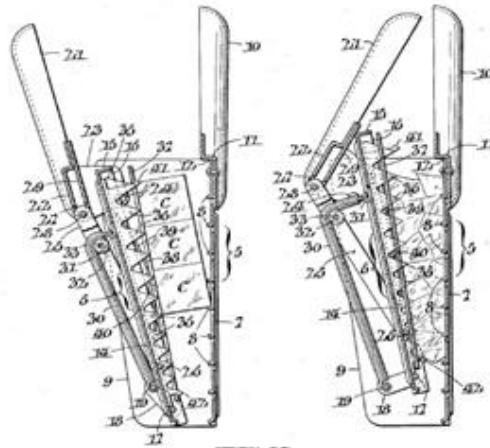
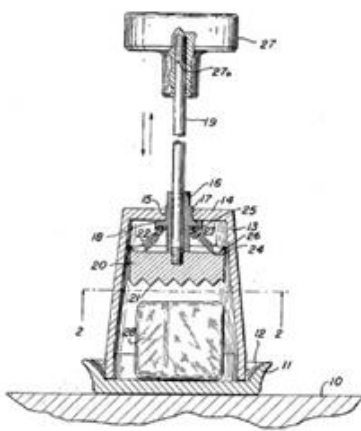
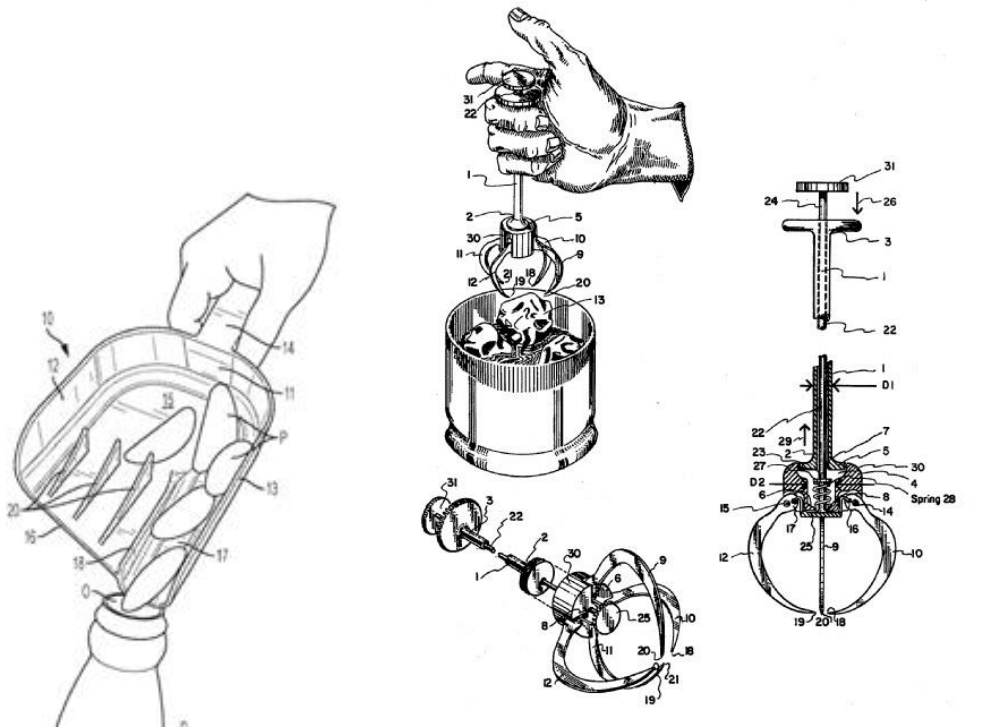
Insert: New Definition statement and images.

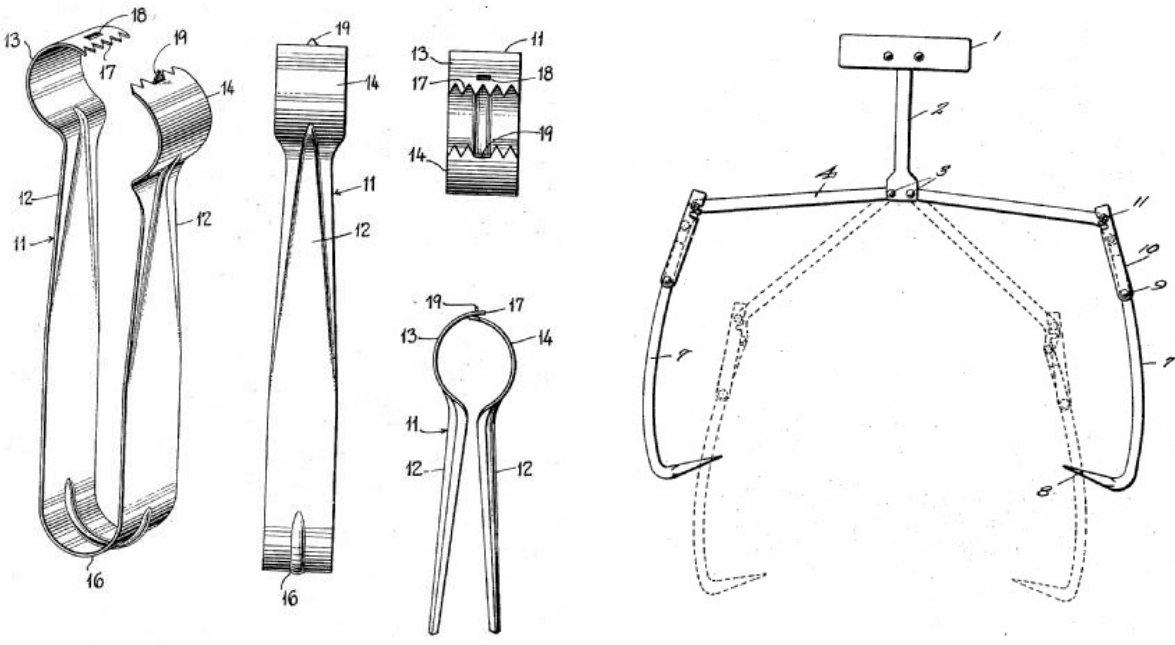
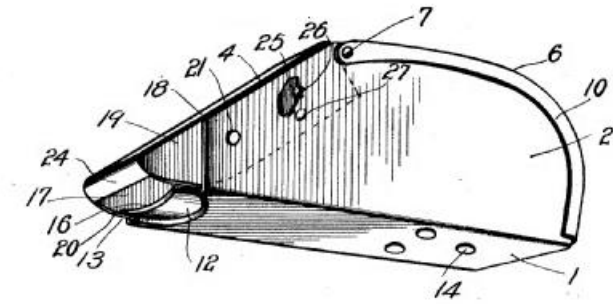
Hand tools for disintegrating, removing or harvesting ice cubes and blocks without the use of saws, by using other hand tools, e.g. ice picks, ice crushers, ice shavers.

Illustrative example of subject matter classified in this group.

DATE: AUGUST 1, 2021

PROJECT RP0601





References

Insert: New Informative references section and table.

Informative references

Attention is drawn to the following places, which may be of interest for search:

Ice-crusher machines	F25C5/046
Ice-shaving machines	F25C5/12
Snow removing devices	E04D13/106
Drilling ice or a formation covered by ice	E21B7/008

DATE: AUGUST 1, 2021

PROJECT RP0601

Working on surfaces of snow or ice in order to make them suitable for traffic or sporting purposes	E01H4/00
Accessories for ice-fishing (ice drilling)	A01K97/01
Brushes with a scraper	A46B15/0081
Other food tongs	A47G21/10
Guards or sheaths for hand cutting tools	B26B29/00
Life-saving equipment adapted to use on ice	B63C9/32

Glossary of terms

Replace: Lowercase “h” on hand with an upper case “H” as shown below:

Tools	Hand tools
-------	------------

F25C 5/046

Definition statement

Replace: Existing Definition statement with the one below.

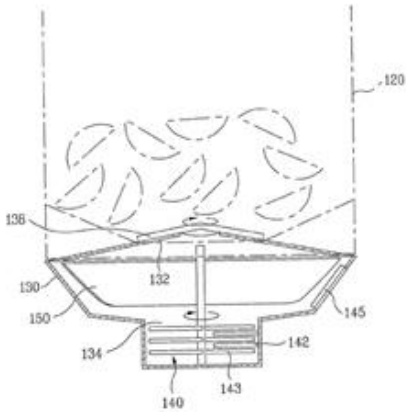
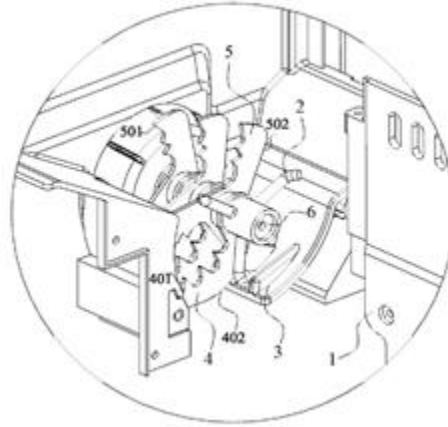
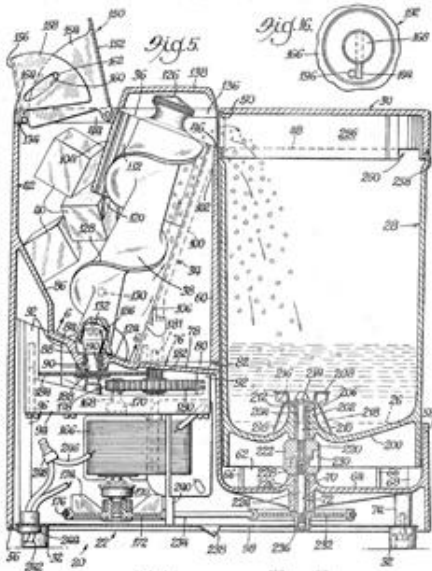
Insert: New images shown below:

Automatic ice-crushers and grinders.

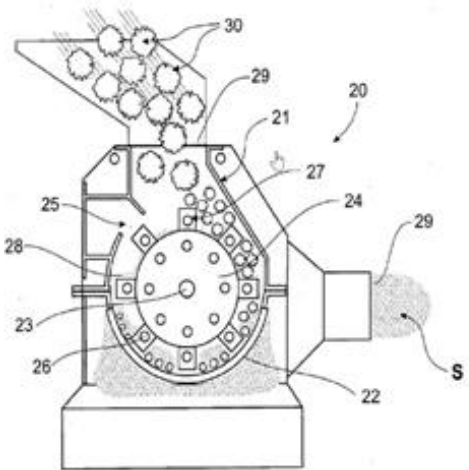
Illustrative example of subject matter classified in this group.

DATE: AUGUST 1, 2021

PROJECT RP0601



Grinder 145, crusher 140



DATE: AUGUST 1, 2021

PROJECT RP0601

References

Insert: New Informative references section and table.

Informative references

Attention is drawn to the following places, which may be of interest for search:

Ice crusher as hand tool for crushing ice cubes

F25C5/043

F25C5/12

Definition statement

Replace: Existing Definition statement with the one below.

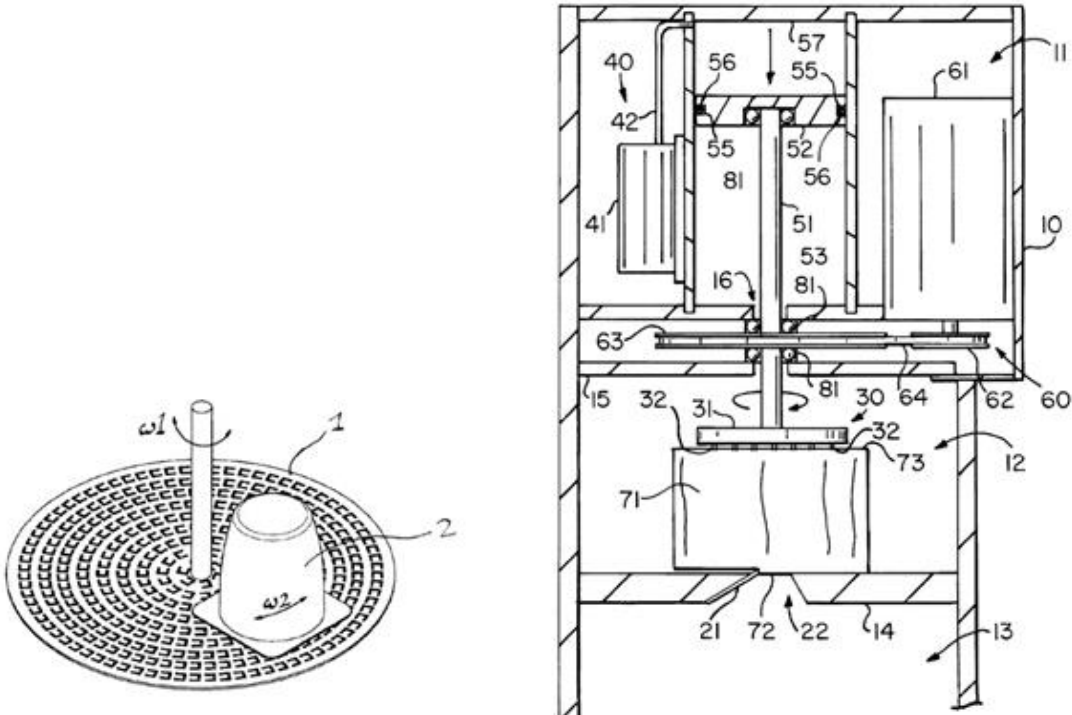
Insert: New images shown below:

Automatic ice-shaving machines producing flake ice and chip ice.

Illustrative example of subject matter classified in this group.

DATE: AUGUST 1, 2021

PROJECT RP0601



References

Informative references

Insert: New row to the Informative references table.

Ice shaver as a hand tool to shave ice	F25C5/043
--	---------------------------

Synonyms and Keywords

Replace: The Synonyms and Keywords text with the updated text below:

- Flake ice
- Chip ice
- Rasp

CPC NOTICE OF CHANGES 1129

DATE: AUGUST 1, 2021

PROJECT RP0601

3. REVISION CONCORDANCE LIST (RCL)

<u>Type*</u>	<u>From CPC Symbol (existing)</u>	<u>To CPC Symbol(s)</u>
C	F25C 1/147	F25C 1/147, F25C 5/142
C	F25C 5/14	F25C 5/14, F25C 5/142
C	F25C 2305/022	F25C 2305/022, F25C 2305/0221, F25C 2305/024

* C = entries with modified file scope where reclassification of documents from the entries is involved; Q = new entries which are firstly populated with documents via administrative transfers from deleted (D) entries. Afterwards, the transferred documents into the Q entry will either stay or be moved to more appropriate entries, as determined by intellectual reclassification; D = deleted entries; F = frozen entries will be deleted once reclassification of documents from the entries is completed.

NOTES:

- Only C, D, F, and Q type entries are included in the table above.
- When multiple symbols are included in the “To” column, do not use ranges of symbols.
- For administrative transfer of documents, the following text should be used: “< administrative transfer to XX>”, “<administrative transfer to XX and YY simultaneously>”, or “<administrative transfer to XX, YY, ...and ZZ simultaneously>” when administrative transfer of the same documents is to more than one place.
- Administrative transfer to main trunk groups is assumed to be the source allocation type, unless otherwise indicated.
- Administrative transfer to 2000/Y series groups is assumed to be “additional information”.
- If needed, instructions for allocation type should be indicated within the angle brackets using the abbreviations “ADD” or “INV”: <administrative transfer to XX ADD>, <administrative transfer to XX INV>, or < administrative transfer to XX ADD, YY INV, ... and ZZ ADD simultaneously>.
- In certain situations, the “D” entries of 2000-series or Y-series groups may not require a destination (“To”) symbol, however it is required to specify “<no transfer>” in the “To” column for such cases.
- RCL is not needed for finalisation projects.

CPC NOTICE OF CHANGES 1129

DATE: AUGUST 1, 2021

PROJECT RP0601

4. CHANGES TO THE CPC-TO-IPC CONCORDANCE LIST (CICL)

<u>CPC</u>	<u>IPC</u>	<u>Action*</u>
F25C 5/142	F25C 5/14	NEW
F25C 2305/0221	CPCONLY	NEW
F25C 2305/024	CPCONLY	NEW

*Action column:

- For an (N) or (Q) entry, provide an IPC symbol and complete the Action column with “NEW.”
- For an existing CPC main trunk entry or indexing entry where the existing IPC symbol needs to be changed, provide an updated IPC symbol and complete the Action column with “UPDATED.”
- For a (D) CPC entry or indexing entry complete the Action column with “DELETE.” IPC symbol does not need to be included in the IPC column.
- For an (N) 2000 series CPC entry which is positioned within the main trunk scheme (breakdown code) provide an IPC symbol and complete the action column with “NEW”.
- For an (N) 2000 series CPC entry positioned at the end of the CPC scheme (orthogonal code), with no IPC equivalent, complete the IPC column with “CPCONLY” and complete the action column with “NEW”.

NOTES:

- F symbols are not included in the CICL table above.
- T and M symbols are not included in the CICL table above unless a change to the existing IPC is desired.