

EUROPEAN PATENT OFFICE
U.S. PATENT AND TRADEMARK OFFICE

CPC NOTICE OF CHANGES 1256

DATE: FEBRUARY 1, 2022

PROJECT MP0506

The following classification changes will be effected by this Notice of Changes:

<u>Action</u>	<u>Subclass</u>	<u>Group(s)</u>
SCHEME:		
Titles Changed:	G06F	3/002, 3/007, 3/011, 3/027, 3/0304, 3/0312, 3/033, 3/045, 3/06
DEFINITIONS:		
Definitions Deleted:	G06F	3/0232
Definitions New:	G06F	3/0312
Definitions Modified:	G06F	3/002, 3/005, 3/007, 3/011, 3/012, 3/013, 3/014, 3/015, 3/016, 3/017, 3/018, 3/0202, 3/0205, 3/021, 3/0216, 3/0219, 3/0221, 3/0224, 3/0227, 3/0231, 3/0233, 3/0234, 3/0236, 3/0237, 3/0238, 3/027, 3/03, 3/0304, 3/0338, 3/0346, 3/03542, 3/03547, 3/0362, 3/038, 3/0393, 3/04142, 3/04144, 3/04146, 3/0416, 3/04162, 3/04164, 3/04166, 3/04184, 3/0423, 3/043, 3/0433, 3/0441, 3/0442, 3/0443, 3/0444, 3/0445, 3/0446, 3/0447, 3/0448, 3/045, 3/046, 3/0662, 3/1454, 3/1446, 3/147, 3/16, 3/162, 3/165, 3/167

This Notice of Changes includes the following [Check the ones included]:

1. CLASSIFICATION SCHEME CHANGES

- A. New, Modified or Deleted Group(s)
- B. New, Modified or Deleted Warning(s)
- C. New, Modified or Deleted Note(s)
- D. New, Modified or Deleted Guidance Heading(s)

2. DEFINITIONS

- A. New or Modified Definitions (Full definition template)
- B. Modified or Deleted Definitions (Definitions Quick Fix)

3. REVISION CONCORDANCE LIST (RCL)

4. CHANGES TO THE CPC-TO-IPC CONCORDANCE LIST (CICL)

5. CHANGES TO THE CROSS-REFERENCE LIST (CRL)

CPC NOTICE OF CHANGES 1256

DATE: FEBRUARY 1, 2022

PROJECT MP0506

1. CLASSIFICATION SCHEME CHANGES

A. New, Modified or Deleted Group(s)

SUBCLASS G06F - ELECTRIC DIGITAL DATA PROCESSING

<u>Type*</u>	<u>Symbol</u>	<u>Indent Level Number of dots (e.g. 0, 1, 2)</u>	<u>Title</u> <u>“CPC only” text should normally be enclosed in {curly brackets}**</u>	<u>Transferred to#</u>
M	G06F 3/002	1	{ Specific input/output arrangements not covered by G06F3/01 - G06F3/16 (other optical apparatus G02B 27/00)}	
M	G06F 3/007	1	{ Digital input from or digital output to memories of the shift register type }	
M	G06F3/011	2	{ Arrangements for interaction with the human body, e.g. for user immersion in virtual reality (blind teaching G09B21/00)}	
M	G06F3/027	4	for insertion of the decimal point	
M	G06F3/0304	3	{ Detection arrangements using opto-electronic means (constructional details of pointing devices not related to the detection arrangement using opto-electronic means G06F3/033; optical digitisers G06F3/042)}	
M	G06F3/0312	4	{ for tracking the rotation of a spherical or circular member, e.g. optical rotary encoders used in mice or trackballs using a tracking ball or in mouse scroll wheels (tracking relative movement in co-operation with a regularly or irregularly patterned surface, e.g. as in optical mice G06F3/0317; constructional details of scroll or thumb-wheels G06F3/0362; optical rotary encoders G01D5/3473)}	
M	G06F 3/033	3	Pointing devices displaced or positioned by the user {, e.g. mice, trackballs, pens or joysticks }; Accessories therefor (digitisers characterised by the transducing means G06F 3/041)	
M	G06F3/045	4	using resistive elements, e.g. a single continuous surface or two parallel surfaces put in contact	
M	G06F3/06	1	Digital input from, or digital output to, record carriers {, e.g. RAID, emulated record carriers or networked record carriers }	

*N = new entries where reclassification into entries is involved; C = entries with modified file scope where reclassification of documents from the entries is involved; Q = new entries which are firstly populated with documents via administrative transfers from deleted (D) entries. Afterwards, the transferred documents into the Q entry will either stay or be moved to more appropriate

CPC NOTICE OF CHANGES 1256

DATE: FEBRUARY 1, 2022

PROJECT MP0506

entries, as determined by intellectual reclassification; T= existing entries with enlarged file scope, which receive documents from C or D entries, e.g. when a limiting reference is removed from the entry title; M = entries with no change to the file scope (no reclassification); D = deleted entries; F = frozen entries will be deleted once reclassification of documents from the entries is completed; U = entries that are unchanged.

NOTES:

- **No {curly brackets} are used for titles in CPC only subclasses, e.g. C12Y, A23Y; 2000 series symbol titles of groups found at the end of schemes (orthogonal codes); or the Y section titles. The {curly brackets} are used for 2000 series symbol titles found interspersed throughout the main trunk schemes (breakdown codes).
- U groups: it is obligatory to display the required “anchor” symbol (U group), i.e. the entry immediately preceding a new group or an array of new groups to be created (in case new groups are not clearly subgroups of C-type groups). Always include the symbol, indent level and title of the U group in the table above.
- All entry types should be included in the scheme changes table above for better understanding of the overall scheme change picture. Symbol, indent level, and title are required for all types.
- “Transferred to” column must be completed for all C, D, F, and Q type entries. F groups will be deleted once reclassification is completed.
- When multiple symbols are included in the “Transferred to” column, avoid using ranges of symbols in order to be as precise as possible.
- For administrative transfer of documents, the following text should be used: “< administrative transfer to XX>”, “<administrative transfer to XX and YY simultaneously>”, or “<administrative transfer to XX, YY, ...and ZZ simultaneously>” when administrative transfer of the same documents is to more than one place.
- Administrative transfer to main trunk groups is assumed to be the source allocation type, unless otherwise indicated.
- Administrative transfer to 2000/Y series groups is assumed to be “additional information”.
- If needed, instructions for allocation type should be indicated within the angle brackets using the abbreviations “ADD” or “INV”: <administrative transfer to XX ADD> , <administrative transfer to XX INV>, or < administrative transfer to XX ADD, YY INV, ... and ZZ ADD simultaneously>.
- In certain situations, the “D” entries of 2000-series or Y-series groups may not require a destination (“Transferred to”) symbol, however it is required to specify “<no transfer>” in the “Transferred to” column for such cases.
- For finalisation projects, the deleted “F” symbols should have <no transfer> in the “Transferred to” column.
- For more details about the types of scheme change, see CPC Guide.

2. A. DEFINITIONS (new)

Insert: The following new Definition.

G06F 3/0312

Informative references

Attention is drawn to the following places, which may be of interest for search:

Thumb wheel switches	H01H 19/001
----------------------	-----------------------------

2. A. DEFINITIONS (Modified)

G06F 3/002

Definition statement

Delete: The last line of the Definition statement so that the updated Definition statement reads as follows.

Includes inter alia arrangements in which a barcode reader is used to input data to a computer and in particular drivers for barcode or QR code readers.

References

Limiting references

Replace: The existing Limiting references table with the following updated table.

Specific input/output arrangements	G06F 3/01- G06F 3/16
Other optical apparatus	G02B 27/00

Informative references

Replace: The existing Informative references table with the following updated table.

Viewers photographic printing	G03B
Electrography, magnetography	G03G
Constructional details of barcode readers	G06K 7/00
Reading of RFID record carriers	G06K 7/0008
Constructional details of RFID record carriers	G06K 19/07749
Use of barcode readers or RFIDs in data processing systems for business applications	G06Q

DATE: FEBRUARY 1, 2022

PROJECT MP0506

Wireless phone using NFC or a two-way short-range wireless interface	H04M 1/72412
Facsimile per se	H04N 1/00

G06F 3/005**References**

Delete: The entire Limiting references section.

Insert: The following new Informative references section.

Informative references

Attention is drawn to the following places, which may be of interest for search:

Tracking user body for computer input	G06F 3/011, G06F 3/017
Pointing device integrating a camera for tracking its own position with respect to an imaged reference surface or the surroundings	G06F 3/0304
Tracking a projected light spot generated by a light pen or a "laser pointer" indicating a position on a display surface	G06F 3/0386
Digitisers using a camera for tracking the position of objects with respect to an imaged reference surface	G06F 3/042
Recognising movements or behaviour, e.g. recognition of gestures, dynamic facial expressions; Lip-reading	G06V 40/20
Television cameras	H04N 5/225

DATE: FEBRUARY 1, 2022

PROJECT MP0506

G06F 3/007**References****Informative references**

Replace: The existing Informative references table with the following updated table.

Digital input from, or digital output to, record carriers	G06F 3/06
Digital stores in which the information is moved stepwise using magnetic elements and thin films in plane structure	G11C 19/08
Digital stores in which the information is moved stepwise using semiconductor elements	G11C 19/28
Organisation of a multiplicity of shift registers	G11C 19/287

G06F 3/011**References****Limiting references**

Replace: The existing Limiting references table with the following updated table.

Blind teaching	G09B 21/00
----------------	------------

DATE: FEBRUARY 1, 2022

PROJECT MP0506

Insert: The following new Informative references section.

Informative references

Attention is drawn to the following places, which may be of interest for search:

Measuring of parameters or motion of the human body or parts thereof for diagnostic purposes	A61B 5/00
For handicapped people in general	A61F 4/00
Games using an electronically generated display and player-operated input means	A63F 13/20
Robot control	B25J
Stereoscopic optical systems	G02B 30/00
Acquiring or recognising human faces, facial parts, facial sketches, facial expressions	G06V 40/16
Recognising human body or animal bodies	G06V 40/10
Tactile signalling	G08B
Virtual reality arrangements for interacting with music, including those with tactile feedback	G10H 1/00
For electrophonic musical instruments	G10H 1/344
Electronic switches characterised by the way in which the control signals are generated	H03K 17/94

G06F 3/012

References

Delete: The entire Limiting references section.

Insert: The following new Informative references section.

Informative references

Attention is drawn to the following places, which may be of interest for search:

Head-tracking for image generation in head-mounted display	G02B 27/0093, G02B 27/01
Use of head-tracking for image generation	G06T 7/00, G06T 11/00
3D image generation in augmented reality	G06T 19/006
Using viewer tracking	H04N 13/366

G06F 3/013

References

Limiting references

Replace: The existing Limiting references table with the following updated table.

Input arrangements based on nervous system activity detection	G06F 3/015
---	------------

DATE: FEBRUARY 1, 2022

PROJECT MP0506

Insert: The following new Informative references section.

Informative references

Attention is drawn to the following places, which may be of interest for search:

Apparatus for testing the eyes and instruments for examining the eyes	A61B 3/00
Instruments for determining or recording eye movement	A61B 3/113
Acquiring or recognising eyes	G06V 40/18

G06F 3/014

References

Delete: The entire Limiting references section.

Insert: The following new Informative references section.

Informative references

Attention is drawn to the following places, which may be of interest for search:

Finger worn arrangements for converting the position or the displacement of a member into a coded form	G06F 3/03 , G06F 2203/0331
--	---

DATE: FEBRUARY 1, 2022

PROJECT MP0506

G06F 3/015

References

Delete: The entire Limiting references section.

Insert: The following new Informative references section.

Informative references

Attention is drawn to the following places, which may be of interest for search:

Detecting bioelectric signals for diagnostic purpose	A61B 5/0006 , A61B 5/24
Bioelectrical control, e.g. myoelectric	A61F 2/72

G06F 3/016

References

Delete: The entire Limiting references section.

Insert: The following new Informative references section.

DATE: FEBRUARY 1, 2022

PROJECT MP0506

Informative references*Attention is drawn to the following places, which may be of interest for search:*

Passive (and non reconfigurable) feedback arrangements on a touchscreen, e.g. overlays with reliefs for indicating keys of a virtual keyboard	G06F 3/04886
Hand grip control means for manipulators	B25J 13/02
Tactile feedback for vehicle driver	B60W 50/16
Servo-motor systems giving the operating person a "feeling" of the response of the actuated device	F15B 13/14
Means for enhancing the operator's awareness of arrival of the controlling member (knob, handle) at a command or datum position; Providing feel, e.g. means for creating a counterforce	G05G 5/03
Tactile presentation of information, e.g. Braille display	G09B 21/001
Keyboards characterised by tactile feedback features	H01H 13/85
Piezoelectric actuators	H01L 41/09

G06F 3/017**References****Limiting references**Replace: The existing Limiting references table with the following updated table.

Gestures made on the surface of a digitiser and/or in close proximity to this surface for digitisers capable of touchless position sensing and/or measuring also the distance in the Z direction	G06F 3/04883
--	------------------------------

DATE: FEBRUARY 1, 2022

PROJECT MP0506

Informative references

Replace: The existing Informative references table with the following updated table.

Arrangements for interaction with the human body	G06F 3/011
Detection arrangements using opto-electronic means	G06F 3/0304
Input by means of (pointing) device or object moved freely in 3D space	G06F 3/0346
Acquiring or recognising (static) human faces, facial parts, facial sketches, facial expressions	G06V 40/16
Recognising movements or behaviour, e.g. recognition of gestures, dynamic facial expressions; Lip-reading	G06V 40/20
Lip-reading assisted speech recognition	G10L 15/24

Delete: The entire Special rules of classification section.

G06F 3/018**References**

Delete: The entire Limiting references section.

Insert: The following new Informative references section.

Informative references

Attention is drawn to the following places, which may be of interest for search:

Inputting characters	G06F 3/0233
Handling non-Latin characters, e.g. kana-to-kanji conversion	G06F 40/129
Processing of non-Latin text	G06F 40/53

DATE: FEBRUARY 1, 2022

PROJECT MP0506

G06F 3/0202**References**Delete: The entire Limiting references section.Insert: The following new Informative references section.**Informative references***Attention is drawn to the following places, which may be of interest for search:*

Special layout of keys	G06F 3/0219
Palm(wrist)-rests not integrated in the keyboard	A47B 21/0371
Wrist worn wrist rests	A61F 5/0118
Document holders for typewriters	B41J 29/15
Input/Output devices for watches	G04G 21/00
Details of keys/push buttons	H01H 3/12
Switches having rectilinearly-movable operating part or parts	H01H 13/00
Constructional details of keyboards having such switches	H01H 13/70
Electronic switching or gating i.e. not by contact-making or -braking	H03K 17/00
Proximity switches	H03K 17/945
Touch switches with electronic switching	H03K 17/96
Capacitive touch switches	H03K 17/962
Force resistance transducer	H03K 17/9625
Optical touch switches	H03K 17/9627
Piezo-electric touch switches	H03K 17/964
Resistive touch switches	H03K 17/9645

DATE: FEBRUARY 1, 2022

PROJECT MP0506

Keyboard, i.e. having a plurality of control members, with electronic switching	H03K 17/967
With optoelectronic devices	H03K 17/969
With magnetic movable elements	H03K 17/972
With capacitive movable elements	H03K 17/98

G06F 3/0205**References**

Delete: The entire Limiting references section.

Insert: The following new Informative references section.

Informative references

Attention is drawn to the following places, which may be of interest for search:

Integration of a mini joystick in a portable computer	G06F 1/169
Integration of a mini joystick in a keyboard	G06F 3/0213
Details of the interface with a computer	G06F 3/038
Joysticks with a pivotable rigid stick	G05G 9/047

DATE: FEBRUARY 1, 2022

PROJECT MP0506

G06F 3/021

References

Delete: The entire Limiting references section.

Insert: The following new Informative references section.

Informative references

Attention is drawn to the following places, which may be of interest for search:

Constructional details of barcode readers	G06K 7/00
---	---------------------------

G06F 3/0216

References

Limiting references

Delete: The following reference from the Limiting references table.

Keyboards characterized by ergonomic functions, e.g. for miniature keyboards	H01H 13/84
--	----------------------------

DATE: FEBRUARY 1, 2022

PROJECT MP0506

G06F 3/0219

References

Delete: The entire Limiting references section.

Insert: The following new Informative references section.

Informative references

Attention is drawn to the following places, which may be of interest for search:

Devices for teaching typing	G09B 13/00
-----------------------------	------------

G06F 3/0221

References

Limiting references

Delete: The following reference from the Limiting references table.

Keyboards characterized by the casing, e.g. sealed casings or casings reducible in size	H01H 13/86
---	------------

DATE: FEBRUARY 1, 2022

PROJECT MP0506

G06F 3/0224

References

Delete: The entire Limiting references section.

Insert: The following new Informative references section.

Informative references

Attention is drawn to the following places, which may be of interest for search:

Document holders for typewriters	B41J 29/15
----------------------------------	------------

G06F 3/0227

References

Limiting references

Replace: The existing Limiting references table with the following updated table.

Arrangements for converting discrete items of information into a coded form. Arrangements for converting the position or the displacement of a member into a coded form	G06F 3/023 - G06F 3/037
Arrangements for converting the position or the displacement of a member into a coded form	G06F 3/03

DATE: FEBRUARY 1, 2022

PROJECT MP0506

Insert: The following new Informative references section.

Informative references

Attention is drawn to the following places, which may be of interest for search:

Keyboards integrating additional peripherals	G06F 3/021
--	----------------------------

G06F 3/0231

Definition statement

Replace: The existing Definition statement text with the following updated text.

Constructional details related to the wireless link, e.g. position of the IR transmitter/receiver as well as protocol details for the wireless transmission of keyboard codes.

References

Delete: The entire Limiting references section.

Insert: The following new Informative references section.

Informative references

Attention is drawn to the following places, which may be of interest for search:

Means for saving power, monitoring of peripheral devices	G06F 1/325
Information transfer between I/O devices and CPU, e.g. on bus	G06F 13/38

DATE: FEBRUARY 1, 2022

PROJECT MP0506

Glossary of terms

Replace: The term “bluetooth” with “Bluetooth®” in the Glossary of terms table, so that it reads as follows.

Cordless keyboards	wireless keyboards; they are also often called according to the technology used: infrared keyboard, radio keyboard, WLAN keyboard, Bluetooth® keyboard
--------------------	--

G06F 3/0232

Delete: The entire section G06F 3/0232.

G06F 3/0233

References

Delete: The entire Limiting references section.

Insert: The following new Informative references section.

Informative references

Attention is drawn to the following places, which may be of interest for search:

Interaction with virtual keyboards displayed on a touchscreen	G06F 3/04886
---	------------------------------

DATE: FEBRUARY 1, 2022

PROJECT MP0506

G06F 3/0234

References

Delete: The entire Limiting references section.

Insert: The following new Informative references section.

Informative references

Attention is drawn to the following places, which may be of interest for search:

Character input using (e.g. 2 or 4 or 8) directional cursor keys for selecting characters in cooperation with displayed information	G06F 3/0236
---	-----------------------------

G06F 3/0236

References

Delete: The entire Limiting references section.

Insert: The following new Informative references section.

Informative references

Attention is drawn to the following places, which may be of interest for search:

Selecting from displayed items by using keys for other purposes than character input	G06F 3/0489
--	-----------------------------

DATE: FEBRUARY 1, 2022

PROJECT MP0506

G06F 3/0237

References

Delete: The entire Limiting references section.

Insert: The following new Informative references section.

Informative references

Attention is drawn to the following places, which may be of interest for search:

Converting codes to words or guess-ahead of partial word inputs	G06F 40/274
---	-----------------------------

G06F 3/0238

References

Limiting references

Replace: The existing Limiting references table with the following updated table.

Key guide holders	G06F 3/0224
-------------------	-----------------------------

DATE: FEBRUARY 1, 2022

PROJECT MP0506

Informative references

Insert: The following five new references in the existing Informative references table.

Virtual keyboards on a touchscreen	G06F 3/04886
Scrambling keyboard with display keys in electronically operated locks	G07C 9/00698
Scrambling keyboard in electronically banking systems (POS,ATM)	G07F
Switches with programmable display	H01H 9/181
Telephone set with programmable function keys	H04M 1/2472

G06F 3/027**References**

Delete: The entire Limiting references section.

Insert: The following new Informative references section.

Informative references

Attention is drawn to the following places, which may be of interest for search:

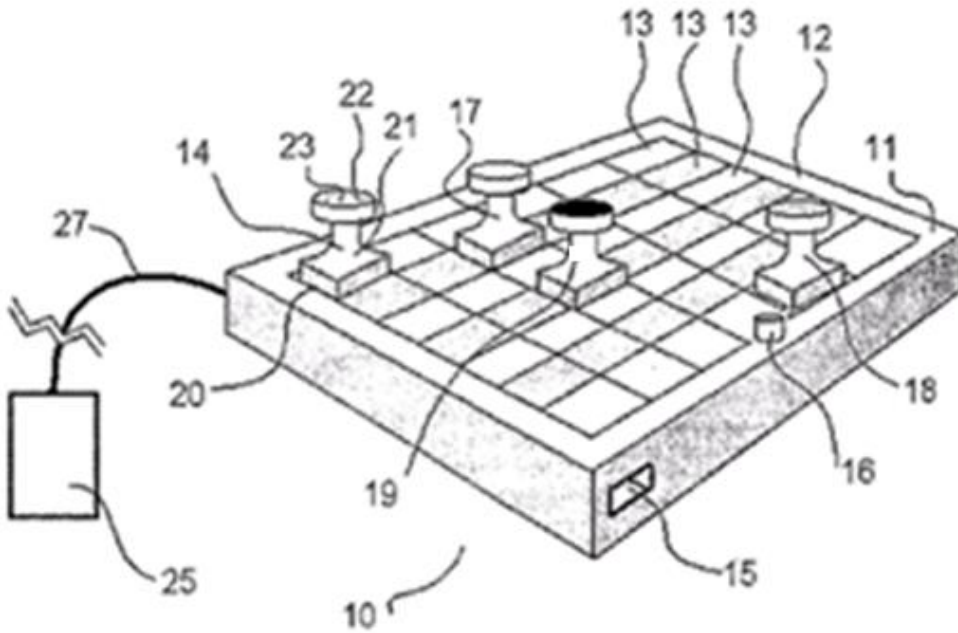
Display of decimal point	G06F 3/1407
Complete desk- top or hand- held calculators	G06F 15/02

Delete: The entire Special rules of classification section.

G06F 3/03

Definition statement

Replace: The existing image in the Definition statement with the following updated image.



References

Delete: The entire Limiting references section.

Insert: The following new Informative references section.

DATE: FEBRUARY 1, 2022

PROJECT MP0506

Informative references

Attention is drawn to the following places, which may be of interest for search:

Interaction with a tangible user interface other than detecting its location or displacement	G06F 3/00
Electronic game devices per se	A63K
Coordinate identification of nuclear particle tracks	G01T 5/02
Telemetry of coordinates	G08C 21/00

G06F 3/0304

Delete: The entire Definition statement.

Insert: The following new Relationships with other classification places section.

Relationships with other classification places

If the moving part is the sensor then the subject-matter belongs to [G06F 3/0304](#), if the observed target (e.g. finger) is moving then the subject-matter belongs to [G06F 3/042](#).

References**Limiting references**

Replace: The existing Limiting references table with the following updated table.

Constructional details of pointing devices not related to the detection arrangement using opto-electronic means	G06F 3/033
Digitisers using opto-electronic means	G06F 3/042

DATE: FEBRUARY 1, 2022

PROJECT MP0506

Insert: The following new Informative references section.

Informative references

Attention is drawn to the following places, which may be of interest for search:

Systems where the position detection is based on the raster scan of a cathode-ray tube (CRT) with a light pen	G06F 3/037
Measuring arrangements characterised by the use of optical means	G01B 11/00
Optical encoders	G01D 5/34
Position fixing using optical waves	G01S 5/16 , G01S 17/00
Prospecting or detecting by optical means	G01V 8/00
Static switches using electro-optical elements in general	H03K 17/78
Optical switches	H03K 17/941
Optical touch switches	H03K 17/9627

[G06F 3/0338](#)

References

Delete: The entire Limiting references section.

Insert: The following new Informative references section.

DATE: FEBRUARY 1, 2022

PROJECT MP0506

Informative references*Attention is drawn to the following places, which may be of interest for search:*

Integration of a mini joystick in a portable computer	G06F 1/169
Integration of a mini joystick in a keyboard	G06F 3/0213
Sliders, in which the moving part moves in a plane	G06F 3/03548
Details of the interface with a computer	G06F 3/038
Joysticks with a pivotable rigid stick	G05G 9/047
Switches with generally flat operating part depressible at different locations	H01H 25/041

G06F 3/0346**References**Delete: The entire Limiting references section.Insert: The following new Informative references section.**Informative references***Attention is drawn to the following places, which may be of interest for search:*

3D input gestures	G06F 3/017
Input devices using opto-electronic sensing	G06F 3/0304

DATE: FEBRUARY 1, 2022

PROJECT MP0506

G06F 3/03542

References

Delete: The entire Limiting references section.

Insert: The following new Informative references section.

Informative references

Attention is drawn to the following places, which may be of interest for search:

Pens comprising an optical sensor for 1 or 2 dimensional position detection	G06F 3/0304
Light emitting pointers per se used for marking with a light spot the pointed position from a distance	G06F 3/0346

DATE: FEBRUARY 1, 2022

PROJECT MP0506

G06F 3/03547

References

Delete: The entire Limiting references section.

Insert: The following new Informative references section.

Informative references

Attention is drawn to the following places, which may be of interest for search:

Digitisers	G06F 3/041
------------	----------------------------

DATE: FEBRUARY 1, 2022

PROJECT MP0506

G06F 3/0362**References**Delete: The entire Limiting references section.Insert: The following new Informative references section.**Informative references***Attention is drawn to the following places, which may be of interest for search:*

User controls for vehicle, e.g. dashboard knobs	B60K 37/06
Incremental encoders	G01D 5/244 , G01D 5/347
Sliding switches	H01H 15/00
Rotary encoding wheels - "thumb-wheel switches"	H01H 19/001

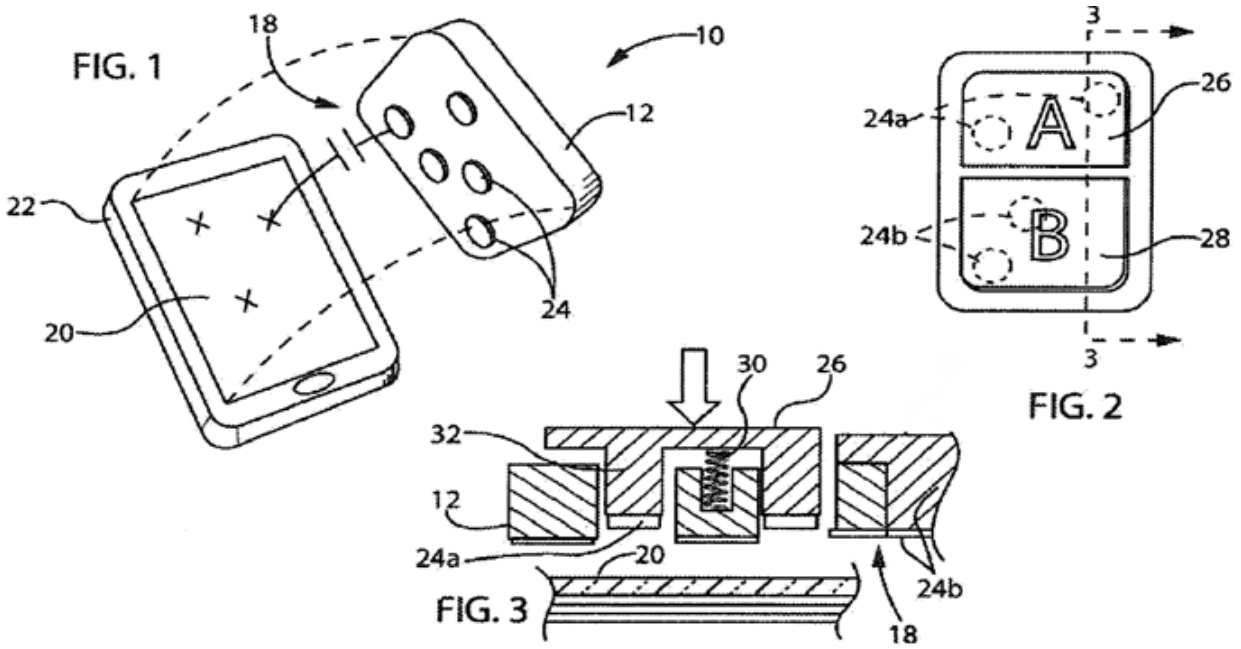
G06F 3/038**References**Delete: The entire Limiting references section.Insert: The following new Informative references section.**Informative references***Attention is drawn to the following places, which may be of interest for search:*

Control circuits or drivers for touchscreens or digitisers	G06F 3/0416
Graphical user interfaces (GUI) in general	G06F 3/048
Pointing device drivers modified to control cursor appearance or behaviour taking into account the presence of displayed objects	G06F 3/04812

G06F 3/0393

Definition statement

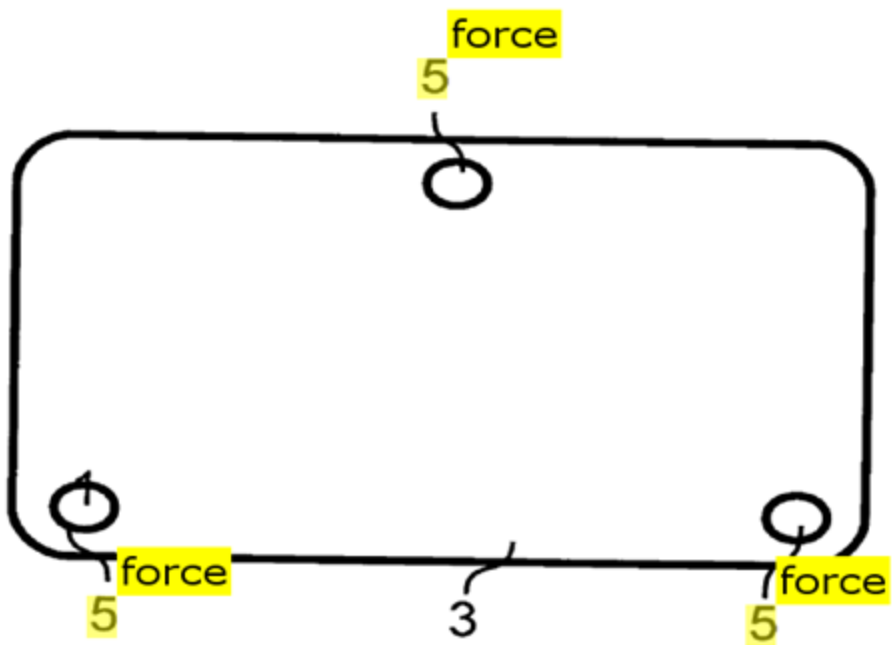
Replace: The existing image in the Definition statement with the following updated image.



G06F 3/04142

Definition statement

Replace: The existing images in the Definition statement with the following updated images.



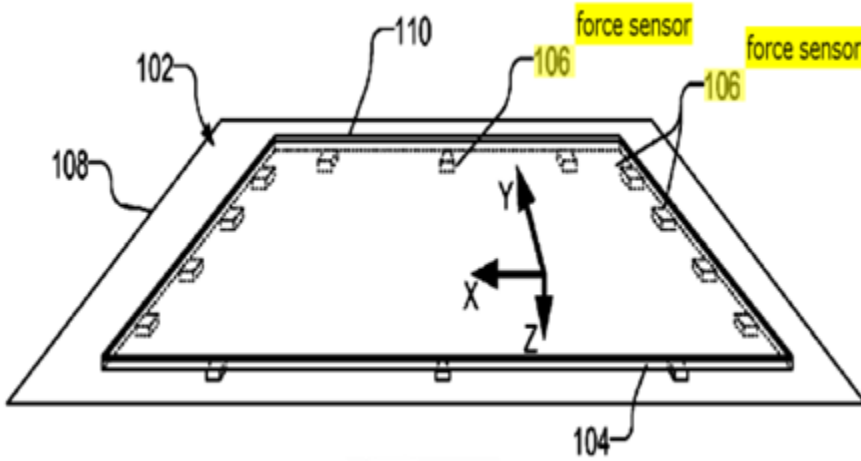
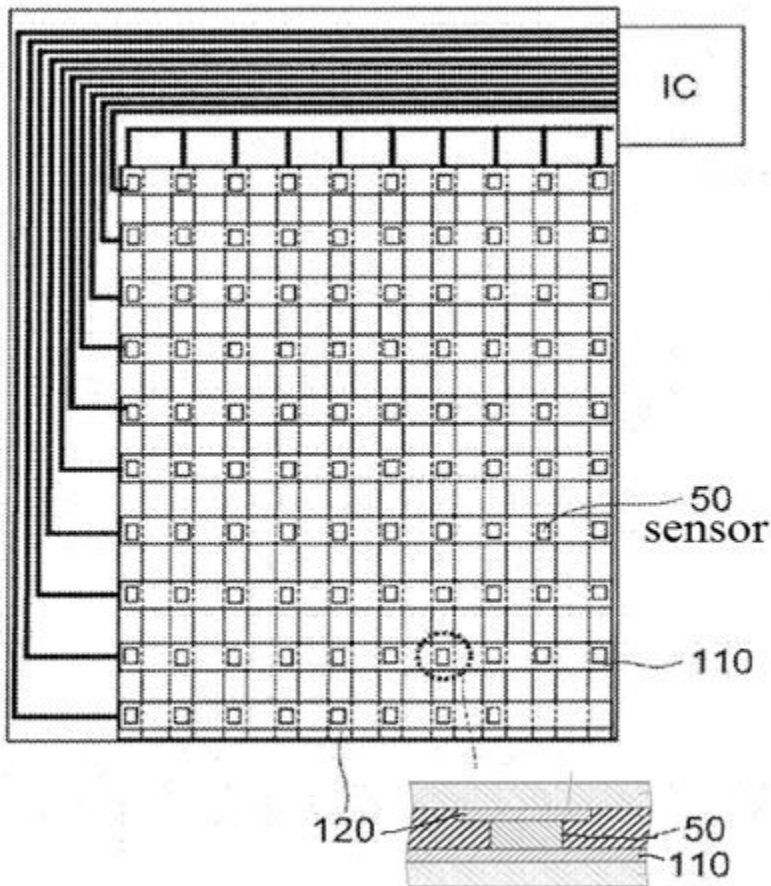


Fig. 3

G06F 3/04144

Definition statement

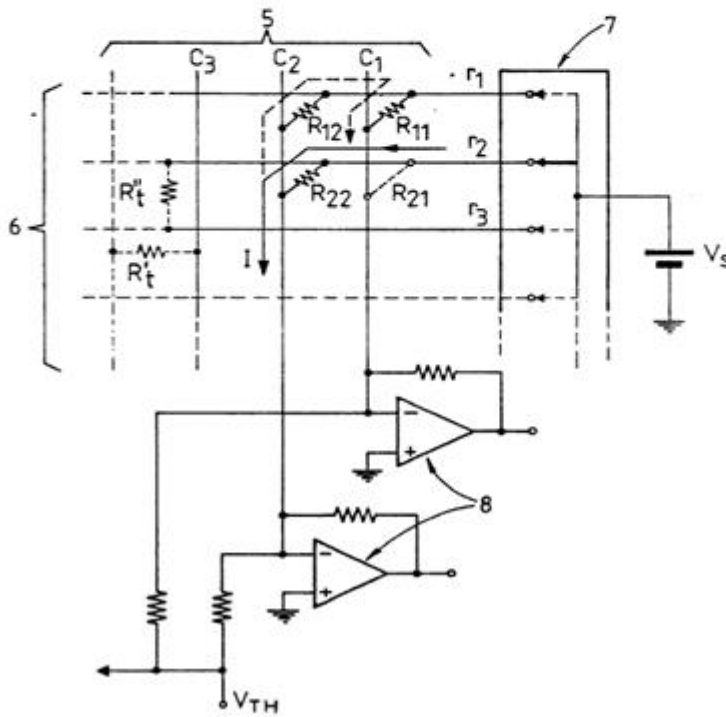
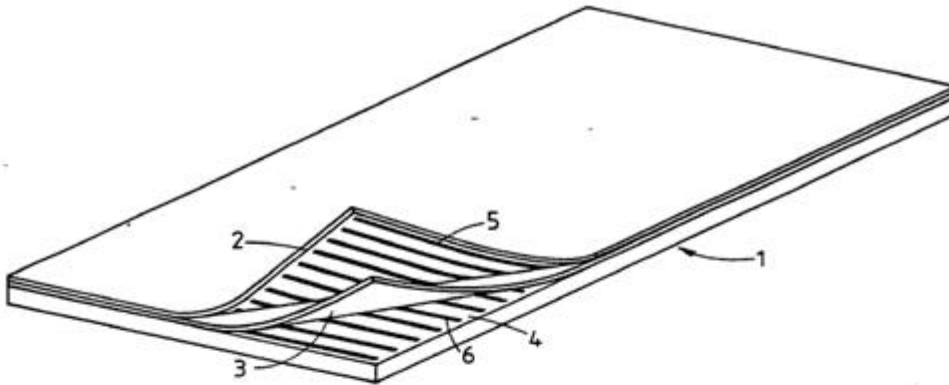
Replace: The existing image in the Definition statement with the following updated image.



G06F 3/04146

Definition statement

Replace: The existing image in the Definition statement with the following updated image.



CPC NOTICE OF CHANGES 1256

DATE: FEBRUARY 1, 2022

PROJECT MP0506

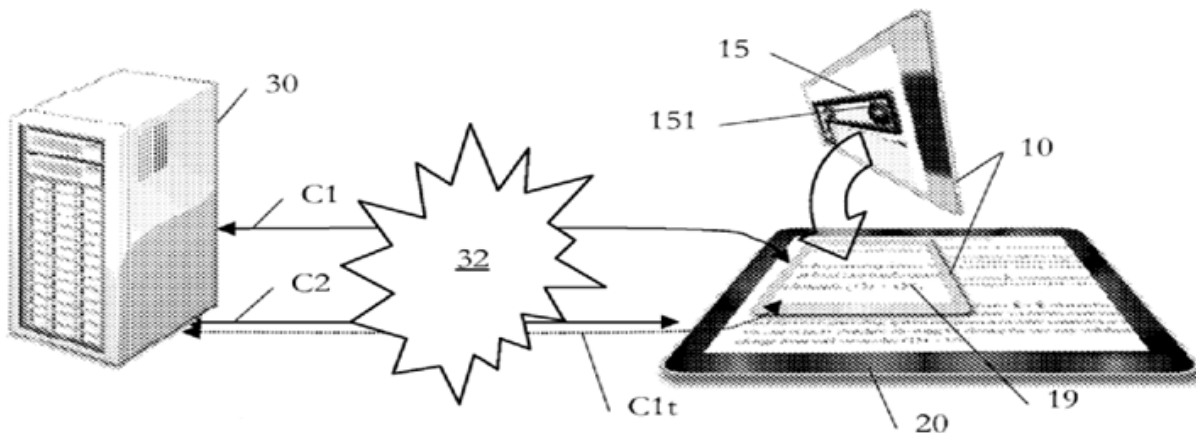
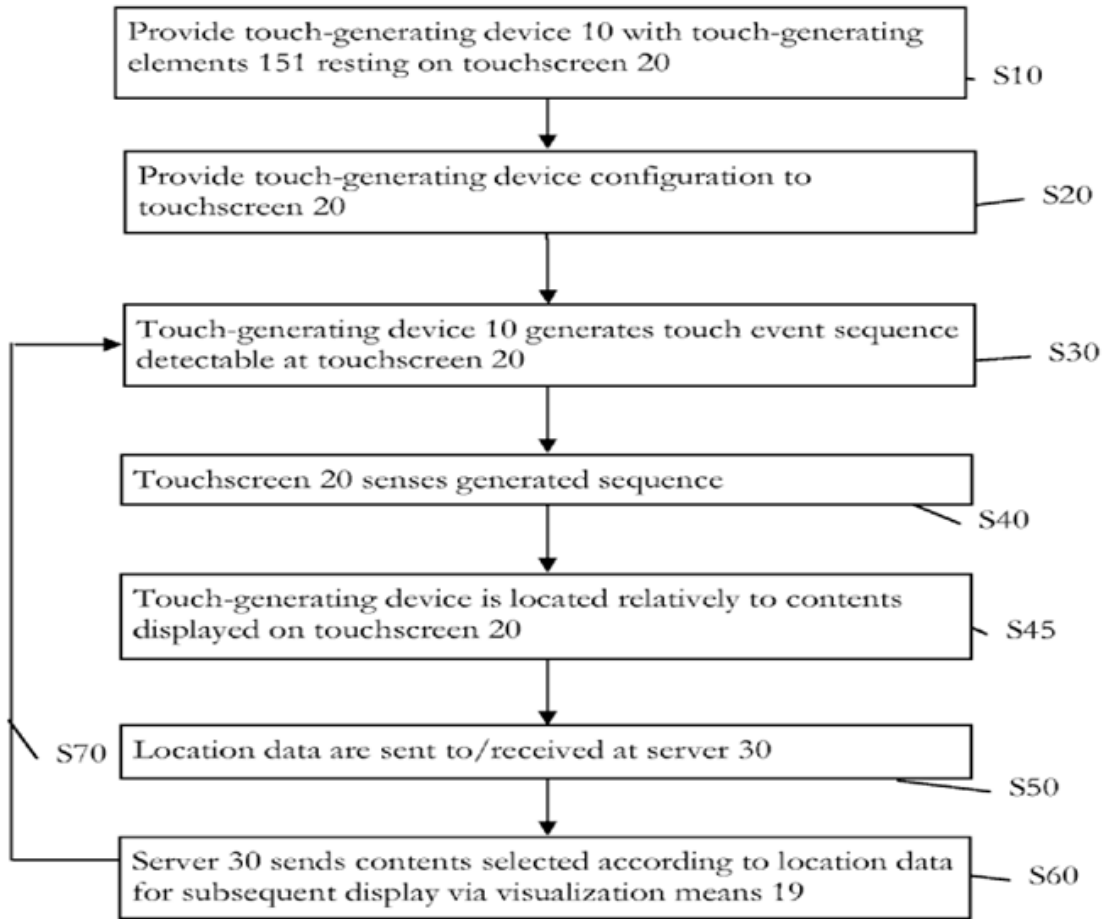
G06F 3/0416

Delete: The entire Special rules of classification section.

G06F 3/04162

Definition statement

Replace: The existing image in the Definition statement with the following updated image.



CPC NOTICE OF CHANGES 1256

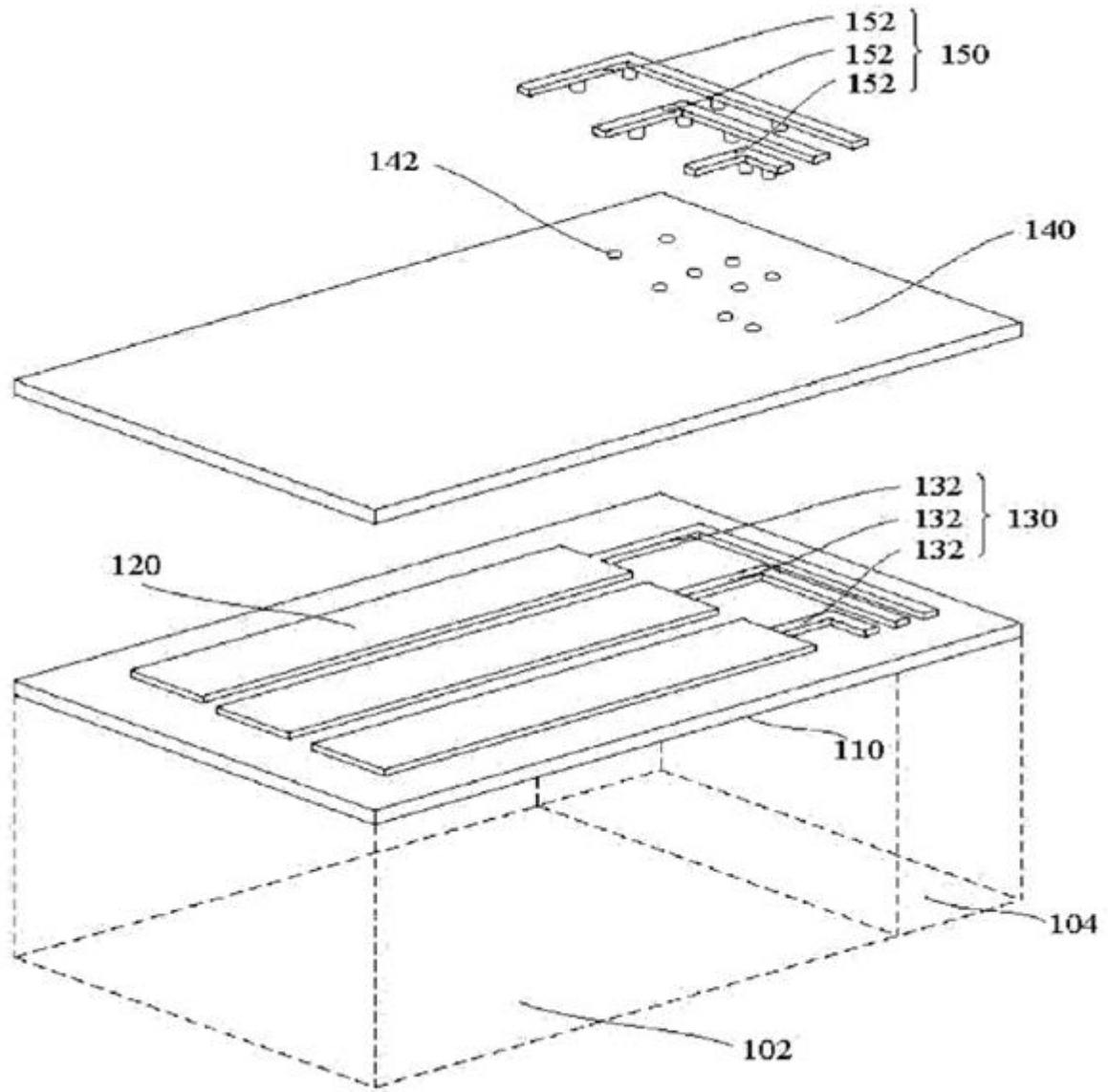
DATE: FEBRUARY 1, 2022

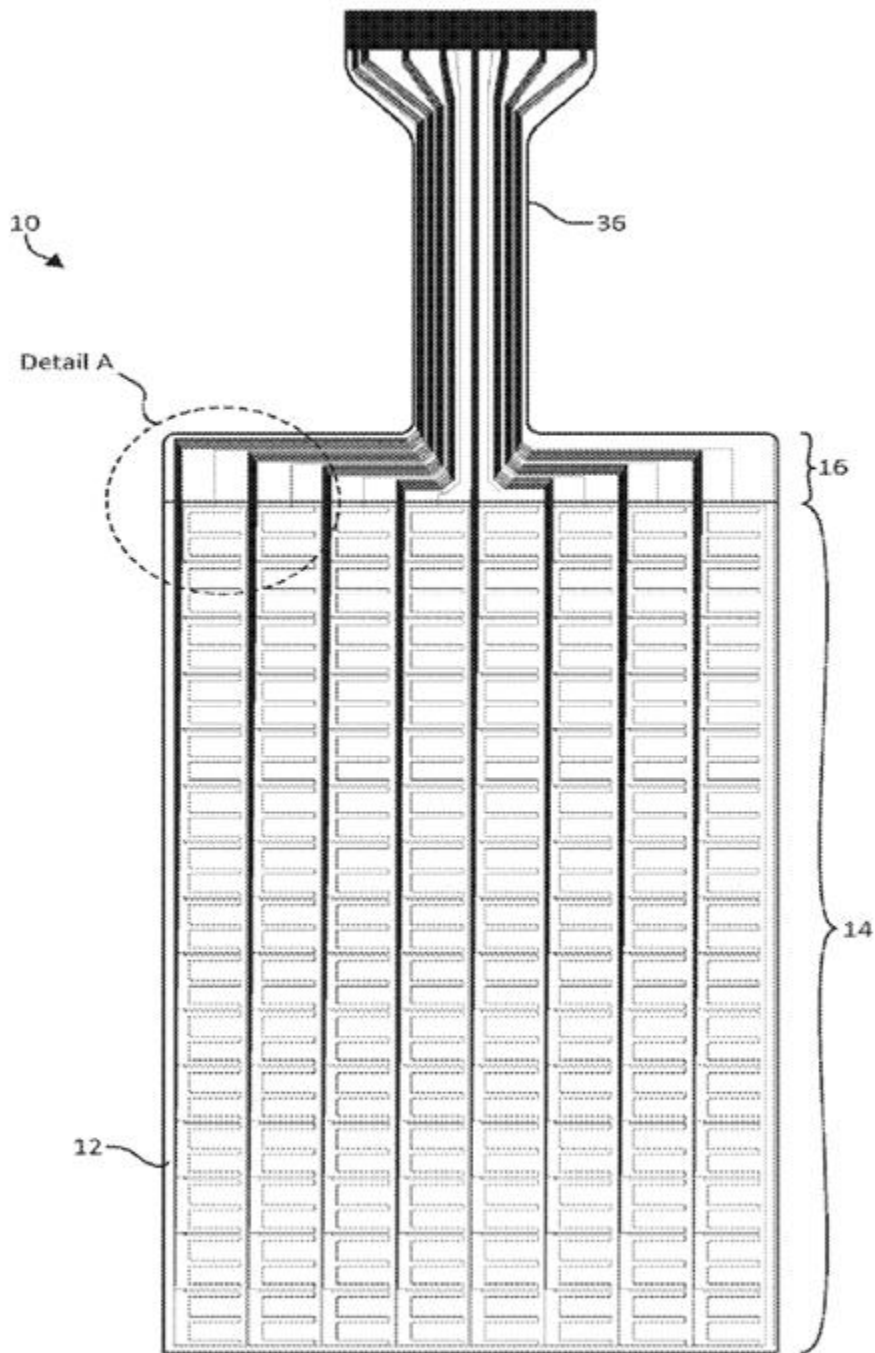
PROJECT MP0506

G06F 3/04164

Definition statement

Replace: The existing images in the Definition statement with the following updated images.

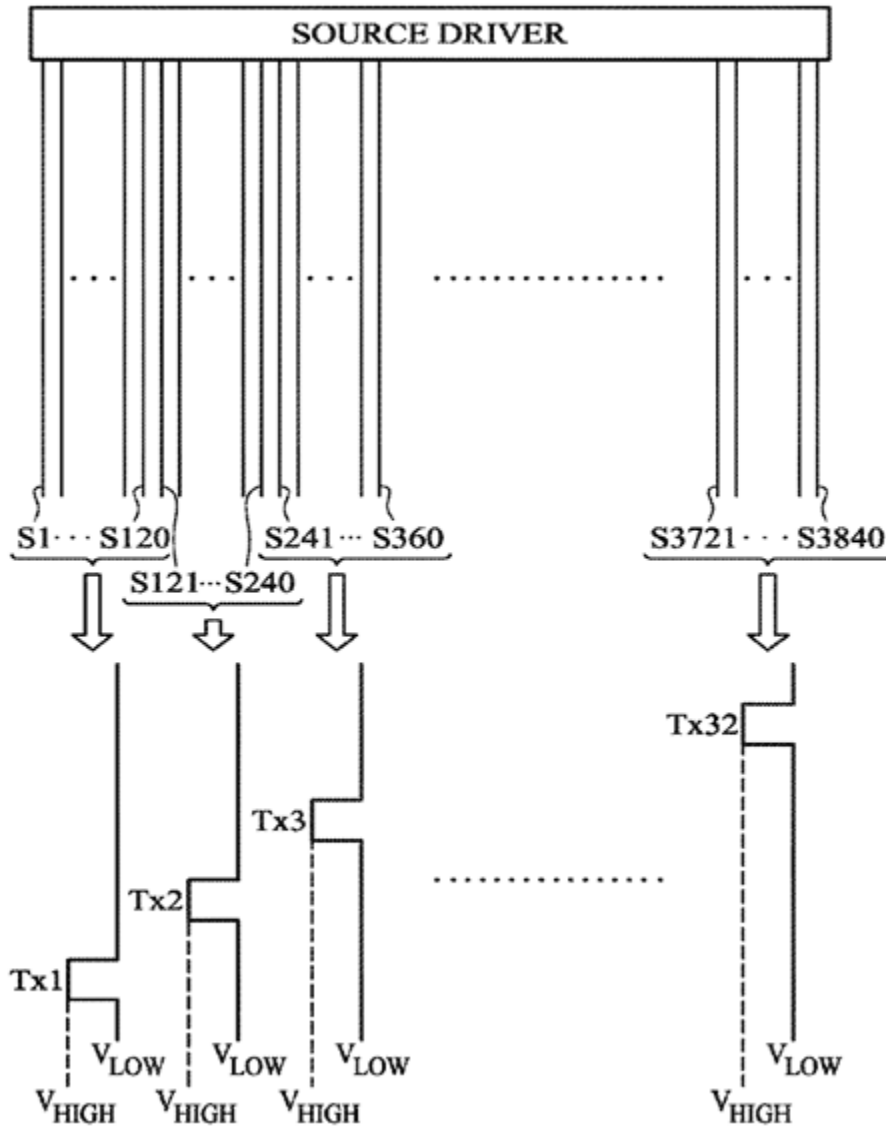




G06F 3/04166

Definition statement

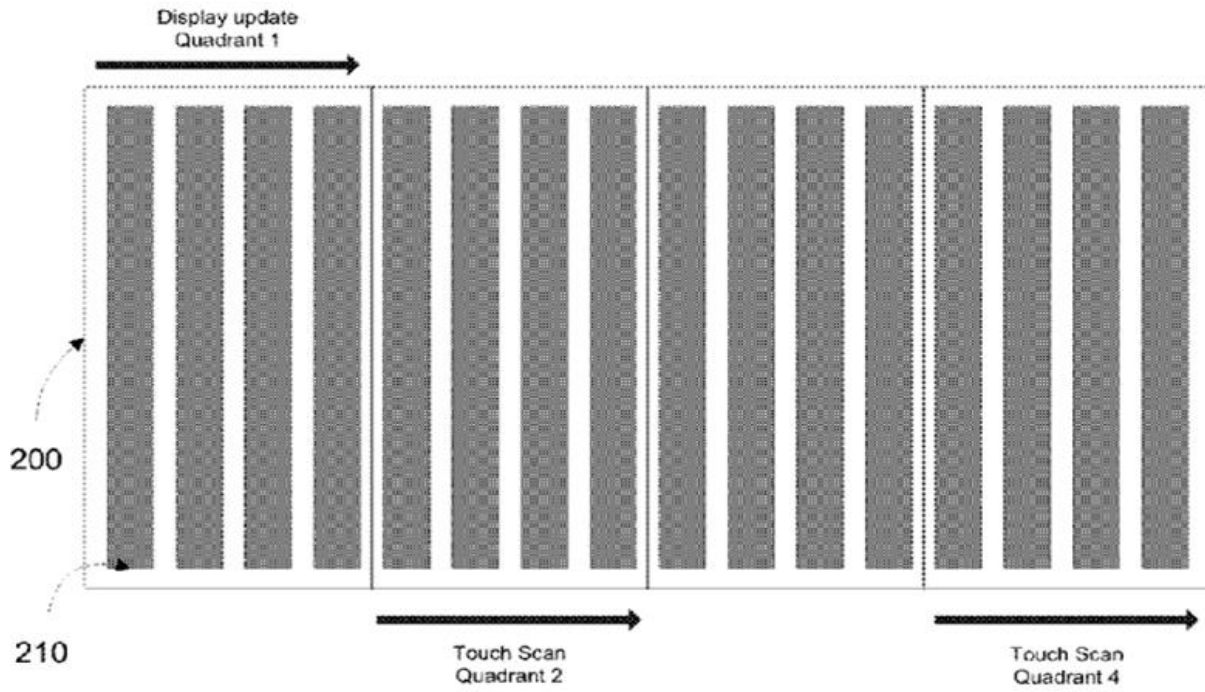
Replace: The existing image in the Definition statement with the following updated image.



G06F 3/04184

Definition statement

Replace: The existing image in the Definition statement with the following updated image.



DATE: FEBRUARY 1, 2022

PROJECT MP0506

G06F 3/0423

References

Delete: The entire Limiting references section.

Insert: The following new Informative references section.

Informative references

Attention is drawn to the following places, which may be of interest for search:

Details of moving scanning beam in optical scanners	G06K 7/10603
---	------------------------------

G06F 3/043

References

Delete: The entire Limiting references section.

Insert: The following new Informative references section.

Informative references

Attention is drawn to the following places, which may be of interest for search:

Infra/ultrasonic mechanical vibration generators	B06B 1/00
Manufacture of resonators or networks using SAW	H03H 3/08

DATE: FEBRUARY 1, 2022

PROJECT MP0506

G06F 3/0433

References

Delete: The entire Limiting references section.

Insert: The following new Informative references section.

Informative references

Attention is drawn to the following places, which may be of interest for search:

Documents where the movable member (finger or pen) generates the waves but has no acoustic source	G06F 3/043
Piezo-electric vibrators	H01L 41/09

DATE: FEBRUARY 1, 2022

PROJECT MP0506

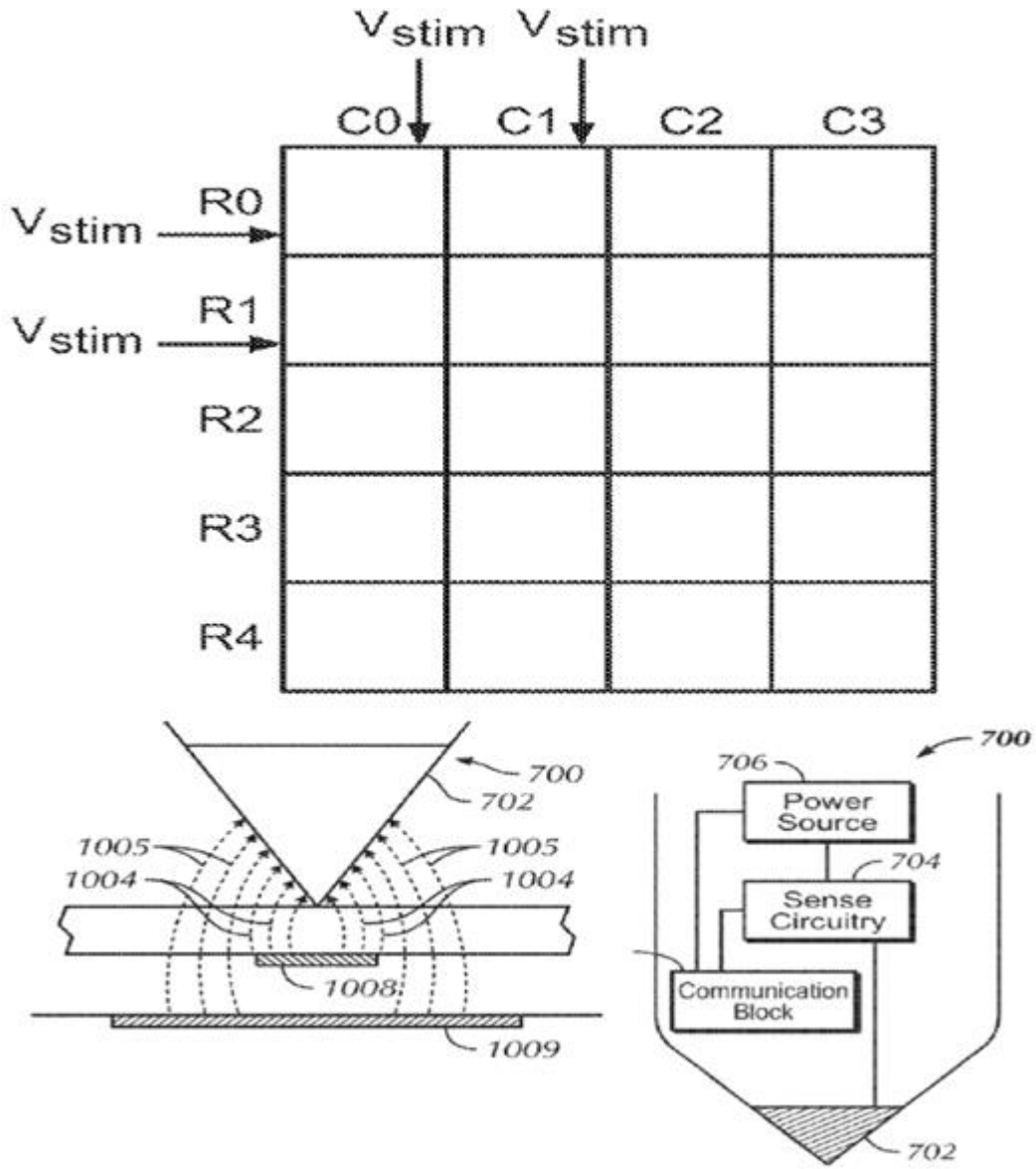
G06F 3/0441

Definition statement

Replace: The existing Definition statement text with the following updated text.

Digitisers using the capacitive coupling between the edge of a pointing pen or a similar sensing device and touch sensing conductors (electrodes) of the position sensing surface wherein the pen detects changes in electric potential of the conductors generated by the tablet (e.g. tablet driving signals).

Replace: The existing image in the Definition statement with the following updated image.



DATE: FEBRUARY 1, 2022

PROJECT MP0506

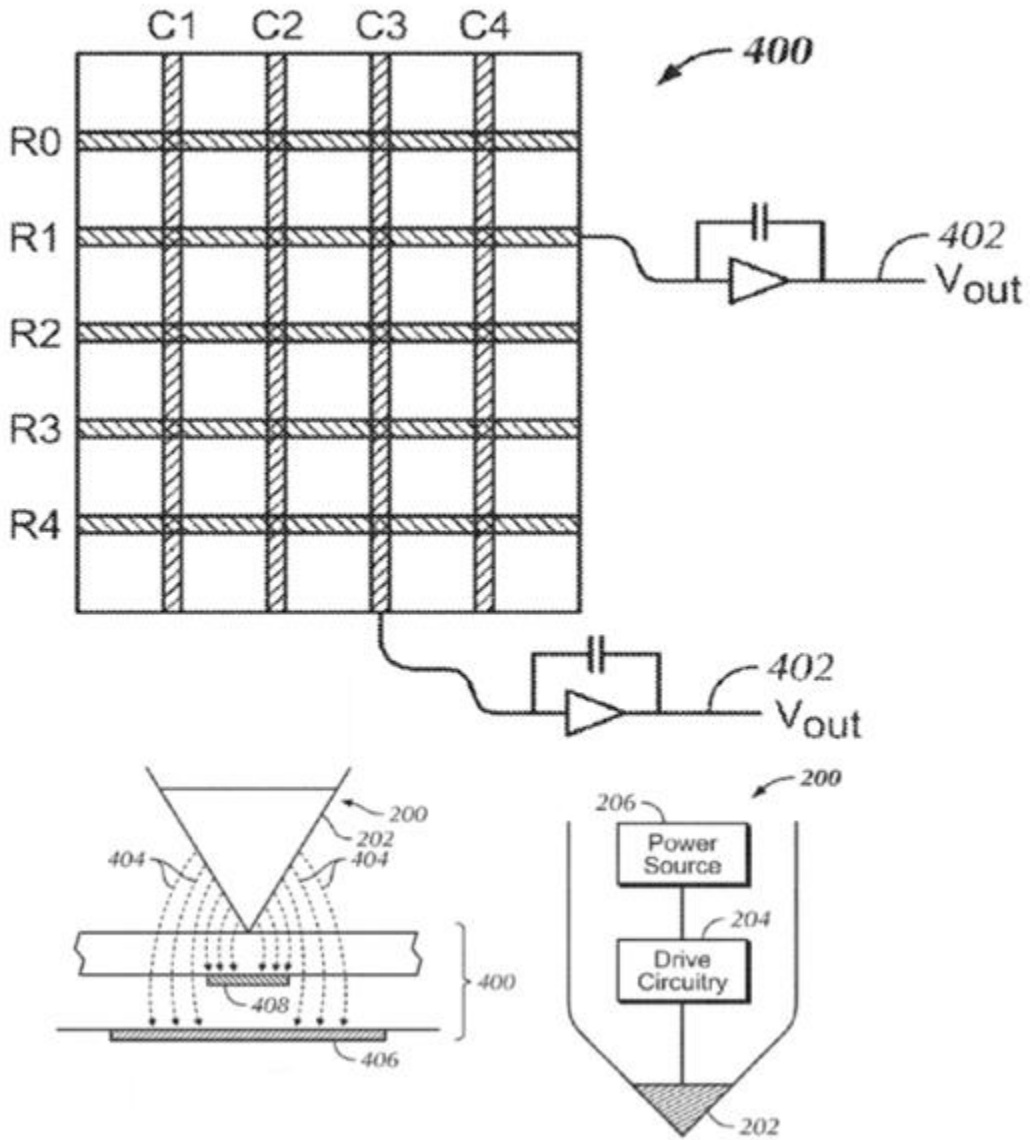
G06F 3/0442

Definition statement

Replace: The existing Definition statement text with the following updated text.

Digitisers using the capacitive coupling between the edge of a pointing pen or a similar input device and touch sensing conductors (electrodes) of the position sensing surface wherein active pens generate changes in electric potential of tablets, corresponding to JP FI: G06F3/044.

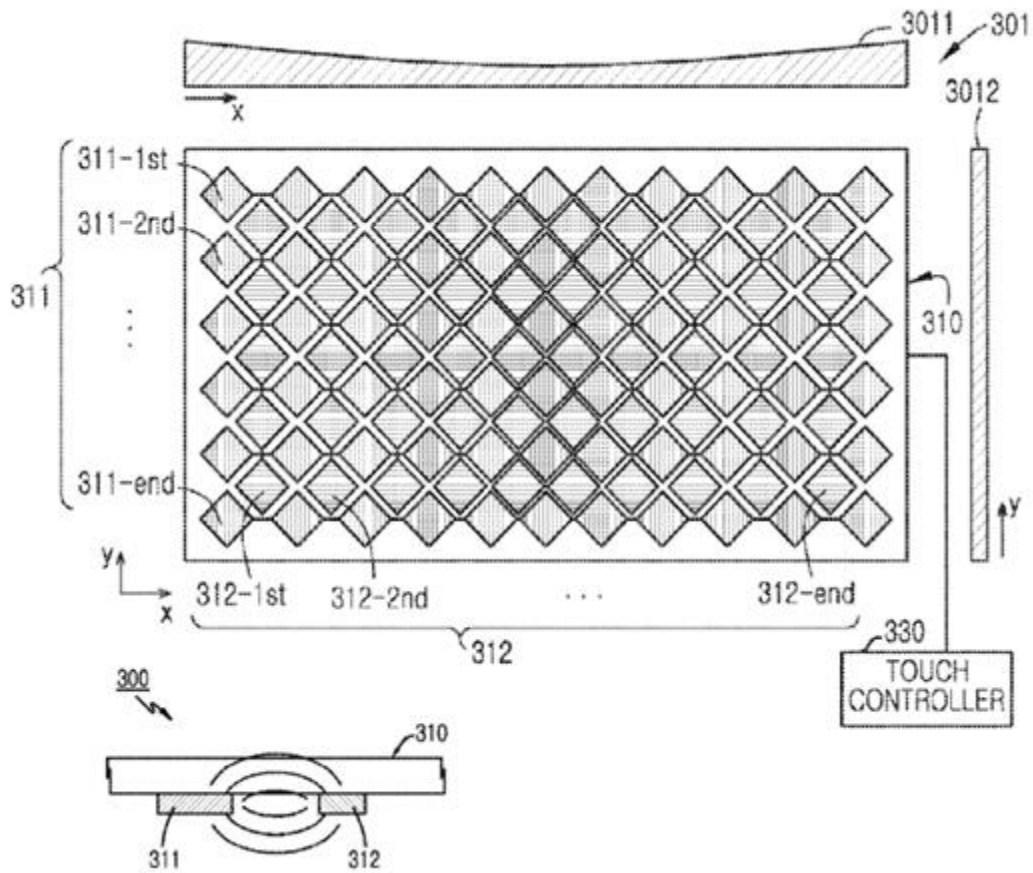
Replace: The existing image in the Definition statement with the following updated image.



G06F 3/0443

Definition statement

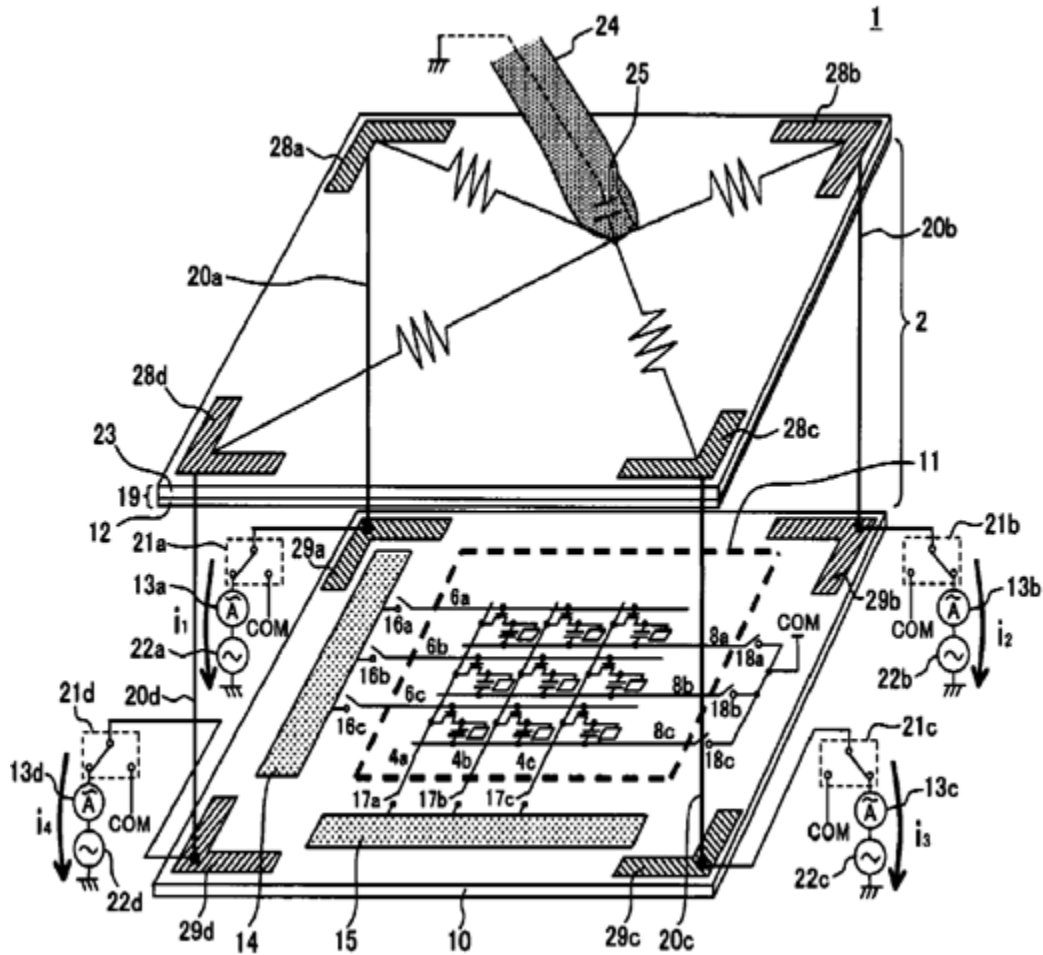
Replace: The existing image in the Definition statement with the following updated image.



G06F 3/0444

Definition statement

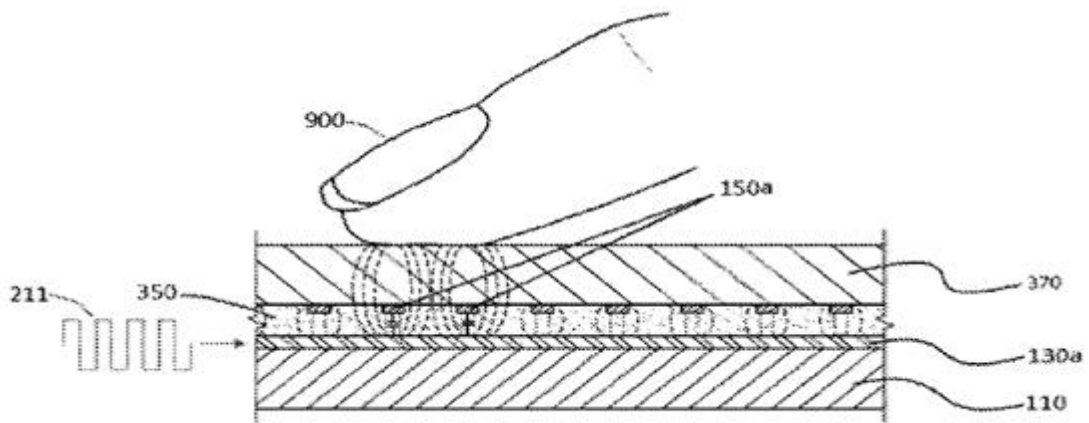
Replace: The existing image in the Definition statement with the following updated image.



G06F 3/0445

Definition statement

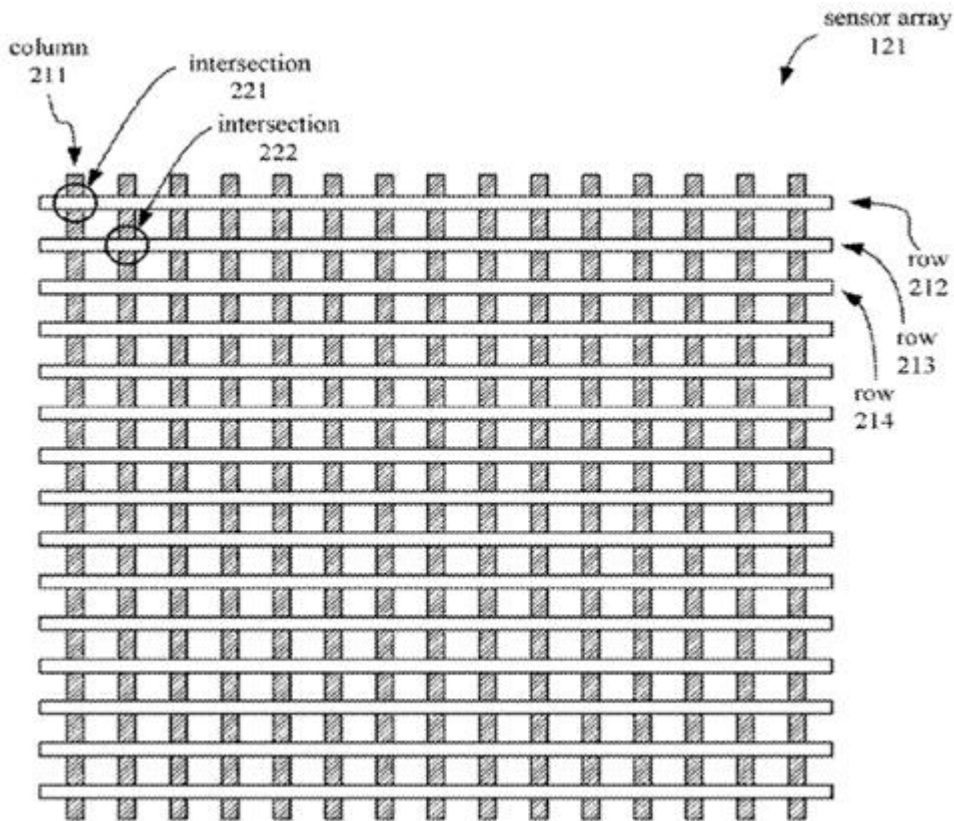
Replace: The existing image in the Definition statement with the following updated image.



G06F 3/0446

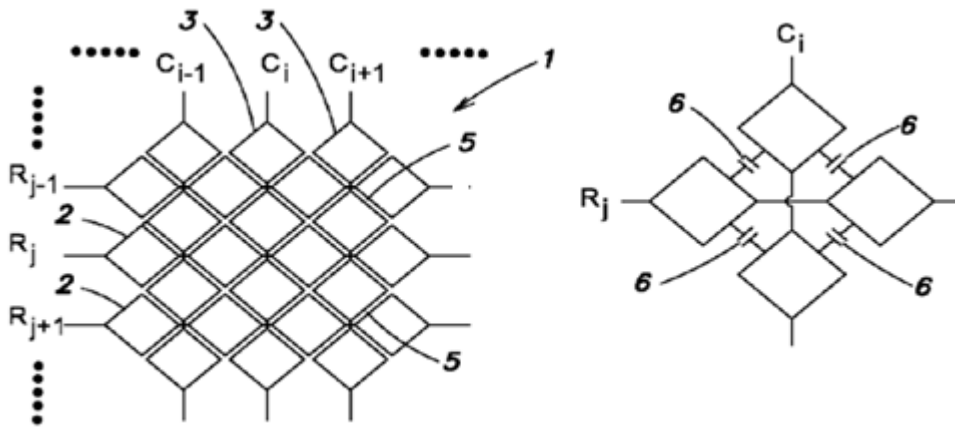
Definition statement

Replace: The existing image in the Definition statement with the following updated image.



DATE: FEBRUARY 1, 2022

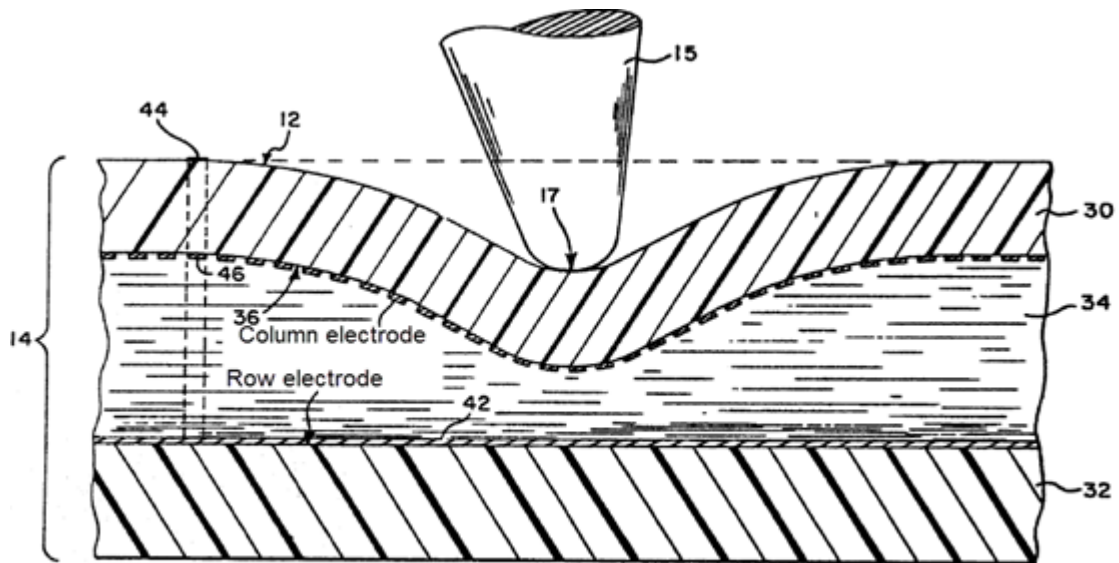
PROJECT MP0506



G06F 3/0447

Definition statement

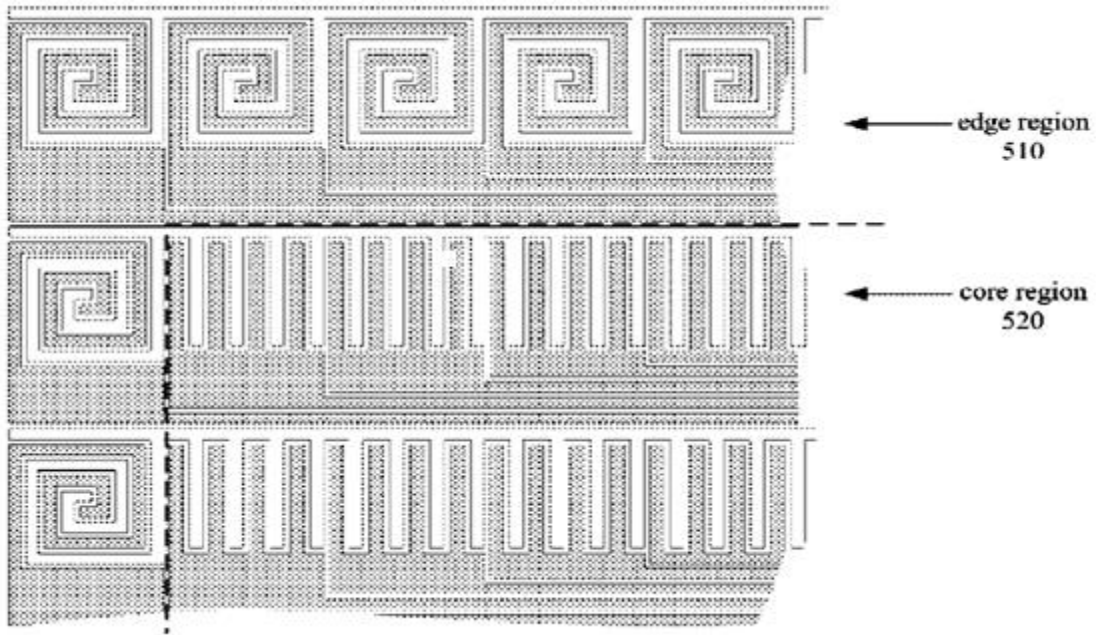
Replace: The existing image in the Definition statement with the following updated image.

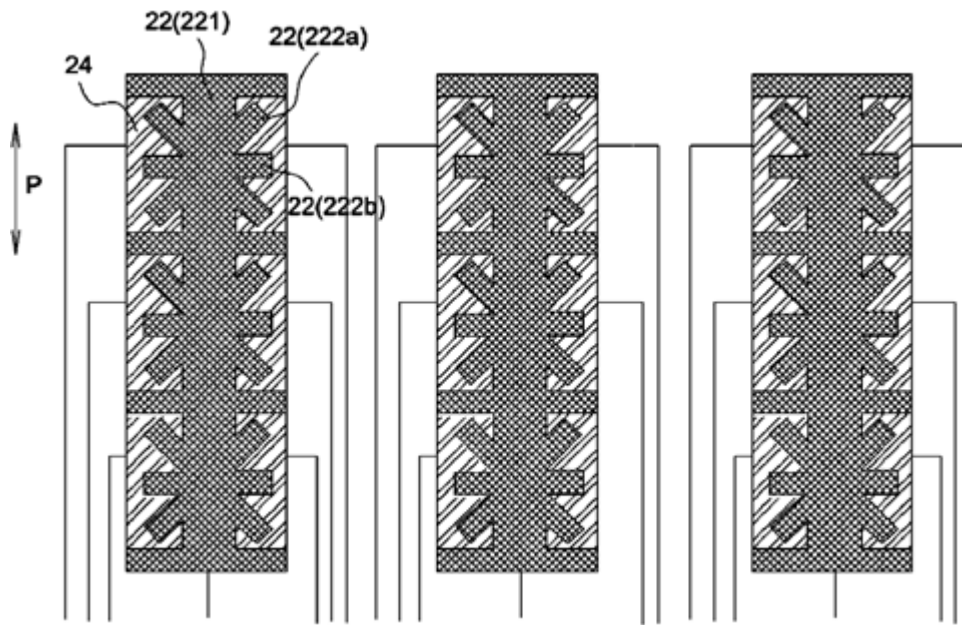


G06F 3/0448

Definition statement

Replace: The existing images in the Definition statement with the following updated images.





DATE: FEBRUARY 1, 2022

PROJECT MP0506

G06F 3/045

References

Delete: The entire Limiting references section.

Insert: The following new Informative references section.

Informative references

Attention is drawn to the following places, which may be of interest for search:

Resistive potentiometers	G01D 5/165
Resistive touch switches	H03K 17/9645

G06F 3/046

References

Delete: The entire Limiting references section.

Insert: The following new Informative references section.

Informative references

Attention is drawn to the following places, which may be of interest for search:

Means for converting the output of a sensing member to another variable by varying inductance	G01D 5/20
Electromagnetic proximity switches using a magnetic detector	H03K 17/95

DATE: FEBRUARY 1, 2022

PROJECT MP0506

G06F 3/0662

Definition statement

Delete: The numerals in the Definition statement so that the updated text reads as follows.

Storage virtualisation refers to:

- The act of abstracting, hiding, or isolating the internal functions of a storage (sub)system or service from applications, host computers, or general network resources, for the purpose of enabling application and network-independent management of storage or data.
- The application of virtualisation to storage services or devices for the purpose of aggregating functions or devices, hiding complexity, or adding new capabilities to lower level storage resources.

G06F 3/1454

Definition statement

Replace: The existing Definition statement text with the following updated text.

Also screen sharing where the framebuffer is sent to remote displays, as is commonly done in application sharing (well known as Virtual Network Computing (VNC)).

Examples:

- Remote display on X-windows terminals: the rendering is done centrally, and only the modified sections of the frame buffers are sent to the remote stations. This is a case of remote local display. There is no teledisplay in this case because the remote display stations are acting as terminals of the host.
- Teledisplay: A collaborative work support system that is performed on plural computers each of which is assigned for an operator, and supports collaborative work in which the plural computers display common data and each operator operates the displayed common data through his own computer.
- Sharing of display panel information between several screens in classrooms with a white board.

CPC NOTICE OF CHANGES 1256

DATE: FEBRUARY 1, 2022

PROJECT MP0506

Delete: The entire Special rules of classification section.

G06F 3/1446

Definition statement

Replace: The existing Definition statement text with the following updated text.

Illustrative example of subject matter classified in this group:

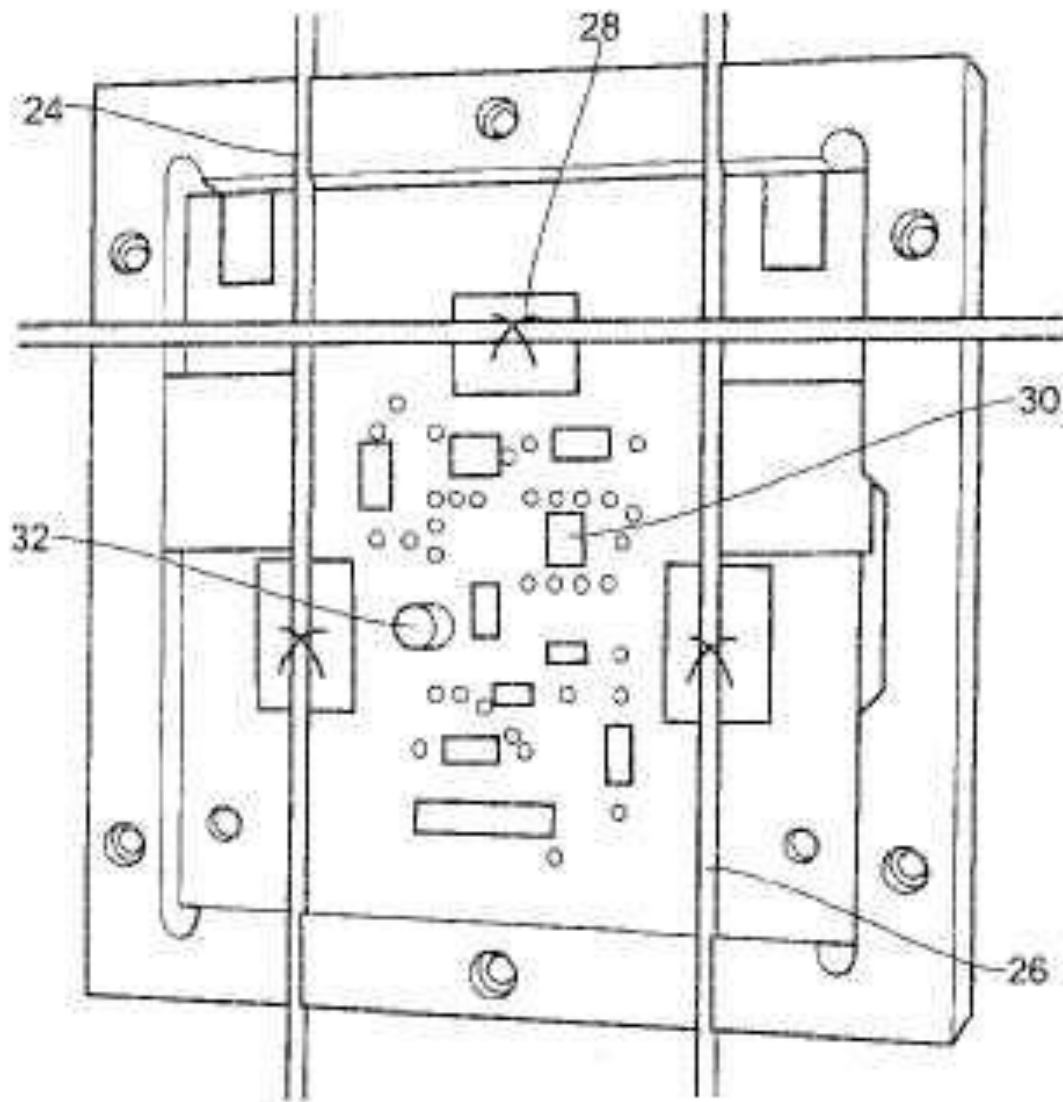


FIG. 3

G06F 3/147

Definition statement

Replace: The existing Definition statement text with the following updated text.

Display panels: LEDs, PDP, LCD, etc. Interconnection of POS (point of sales) terminals.

References

Delete: The entire Limiting references section.

Informative references

Insert: The following new reference in the existing Informative references table.

Arrangements of circuits for control of indicating devices using static means to present variable information	G09G
---	------

Delete: The entire Special rules of classification section.

DATE: FEBRUARY 1, 2022

PROJECT MP0506

G06F 3/16

References

Limiting references

Replace: The existing Limiting references table with the following updated table.

Speech processing	G10L
-------------------	------

Informative references

Delete: The following reference from the existing Informative references table.

Speech analysis or synthesis; speech recognition; speech or voice processing; speech or audio coding or decoding	G10L
--	------

G06F3/162

References

Delete: The entire Limiting references section.

Insert: The following new Informative references section.

DATE: FEBRUARY 1, 2022

PROJECT MP0506

Informative references

Attention is drawn to the following places, which may be of interest for search:

Interfacing to a peripheral in general	G06F13/385
CODECs per se	G10L19/16 , G10L19/24

Glossary of terms

Replace: The existing Glossary of terms text with the following updated text within a table.

CODEC	coding/decoding, compression/decompression of an audio signal
-------	---

Delete: The entire Synonyms and Keywords section.

DATE: FEBRUARY 1, 2022

PROJECT MP0506

G06F 3/165

Definition statement

Replace: The term “sytem” with “system” so that the Definition statement text reads as follows.

Management from a host of the audio device by means of the interface control for modifying the operation of the audio device. Only for control of the audio device/system from the host. Controlling the audio settings such as volume, mute or filters. Controlling the audio stream path (switch output destination). Switch on or off of computer audio devices. Controlling the audio play, pause or replay.

References

Delete: The entire Limiting references section.

Insert: The following new Relationships with other classification places section.

Relationships with other classification places

Dedicated to TV appliances: [H04N 7/00](#)

Control of streaming: [H04L 29/06](#)

Control of speech to text/text to speech conversion: [G10L 13/00](#) and [G10L 15/00](#)

G06F 3/167

References

Delete: The entire Limiting references section.

Insert: The following new Relationships with other classification places section.

Relationships with other classification places

User interaction and feedback in general: [G06F 3/01](#)

User interaction in a menu in general: [G06F 3/048](#)

Speech recognition per se: [G10L 15/26](#), [G10L 15/22](#)