

EUROPEAN PATENT OFFICE
U.S. PATENT AND TRADEMARK OFFICE

CPC NOTICE OF CHANGES 1304

DATE: MAY 1, 2022

PROJECT RP10402

The following classification changes will be effected by this Notice of Changes:

<u>Action</u>	<u>Subclass</u>	<u>Group(s)</u>
SCHEME:		
Symbols Deleted:	B60Q	2500/10
Symbols New:	B60Q	1/0495, 1/247, 1/249, 1/301, 1/3015, 1/303, 1/304, 1/324, 1/325, 1/381, 1/5035, 1/5037, 1/507, 1/508, 1/509, 1/535, 1/543, 1/544, 1/545, 1/547, 1/549
	B60Q	3/229, 3/731, 3/735
	B60Q	2500/30
	B60Q	2800/00, 2800/10, 2800/20, 2800/30
	B60Q	2900/40, 2900/50
Titles Changed:	B60Q	1/00, 1/0005, 1/0011, 1/0064, 1/007, 1/0076, 1/0088, 1/0094, 1/045, 1/0458, 1/0491, 1/06, 1/14, 1/1407, 1/1438, 1/245, 1/26, 1/2611, 1/2657, 1/2661, 1/2665, 1/2669, 1/2673, 1/2676, 1/268, 1/2684, 1/2688, 1/2696, 1/307, 1/323, 1/425, 1/44, 1/441, 1/46, 1/48, 1/503, 1/506, 1/52, 1/525, 1/54, 1/56
	B60Q	5/00, 5/006
	B60Q	9/00
	B60Q	11/00, 11/007
	B60Q	2400/10, 2400/50
Indents Changed:	B60Q	1/525
Warnings New:	B60Q	1/0491, 1/0495, 1/24, 1/245, 1/247, 1/249, 1/30, 1/301, 1/303, 1/304, 1/323, 1/324, 1/325, 1/38, 1/381, 1/50, 1/503, 1/5035, 1/507, 1/508, 1/509, 1/525, 1/535, 1/543, 1/544, 1/545, 1/547, 1/549
	B60Q	3/225, 3/229, 3/70, 3/731
	B60Q	2400/00, 2400/10, 2400/50
	B60Q	2500/00, 2500/30
	B60Q	2900/00, 2900/40, 2900/50
Warnings Modified:	B60Q	SUBCLASS
Notes Modified:	B60Q	SUBCLASS
DEFINITIONS:		

CPC NOTICE OF CHANGES 1304

DATE: MAY 1, 2022

PROJECT RP10402

<u>Action</u>	<u>Subclass</u>	<u>Group(s)</u>
Definitions New:	B60Q	1/0005, 1/0011, 1/0064, 1/007, 1/0076, 1/0088, 1/0094, 1/0408, 1/0425, 1/045, 1/0458, 1/0491, 1/0495, 1/06, 1/076, 1/08, 1/12, 1/14, 1/1407, 1/1423, 1/1438, 1/18, 1/24, 1/245, 1/247, 1/249, 1/26, 1/2611, 1/2657, 1/2665, 1/2669, 1/2673, 1/2676, 1/268, 1/2684, 1/2688, 1/2696, 1/301, 1/3015, 1/302, 1/303, 1/304, 1/307, 1/32, 1/425, 1/441, 1/46, 1/48, 1/50, 1/509, 1/52, 1/525, 1/54, 1/543, 1/544, 1/547, 1/549, 1/56
	B60Q	5/006
	B60Q	11/007
	B60Q	2400/10, 2400/50
	B60Q	2500/00
Definitions Modified:	B60Q	SUBCLASS
	B60Q	1/00
	B60Q	3/50, 3/68
	B60Q	9/00
	B60Q	11/00

The following subclasses/groups are also impacted by this Notice of Changes (indicate subclasses/groups outside of the project scope, such as those listed in the CRL): F21S 8/003

This Notice of Changes includes the following [Check the ones included]:

1. CLASSIFICATION SCHEME CHANGES

- A. New, Modified or Deleted Group(s)
- B. New, Modified or Deleted Warning(s)
- C. New, Modified or Deleted Note(s)
- D. New, Modified or Deleted Guidance Heading(s)

2. DEFINITIONS

- A. New or Modified Definitions (Full definition template)
- B. Modified or Deleted Definitions (Definitions Quick Fix)

3. REVISION CONCORDANCE LIST (RCL)

4. CHANGES TO THE CPC-TO-IPC CONCORDANCE LIST (CICL)

5. CHANGES TO THE CROSS-REFERENCE LIST (CRL)

CPC NOTICE OF CHANGES 1304

DATE: MAY 1, 2022

PROJECT RP10402

1. CLASSIFICATION SCHEME CHANGES

A. New, Modified or Deleted Group(s)

B60Q - ARRANGEMENT OF SIGNALLING OR LIGHTING DEVICES, THE MOUNTING OR SUPPORTING THEREOF OR CIRCUITS THEREFOR, FOR VEHICLES IN GENERAL

<u>Type*</u>	<u>Symbol</u>	<u>Indent Level Number of dots (e.g. 0, 1, 2)</u>	<u>Title</u> “CPC only” text should normally be enclosed in {curly brackets}**	<u>Transferred to#</u>
M	B60Q1/00	0	Arrangement of optical signalling or lighting devices, the mounting or supporting thereof or circuits therefor (for lighting vehicle interior B60Q 3/00)	
M	B60Q1/0005	1	{Devices preventing the lights from becoming dirty or damaged, e.g. protection grids or cleaning by air flow (windshield wipers for cleaning optical devices of vehicles B60S1/04)}	
M	B60Q1/0011	1	{with light guides for distributing the light between several lighting or signalling devices}	
M	B60Q1/0064	1	{with provision for maintenance, e.g. changing the light bulb (swivel arrangements B60Q1/0425)}	
M	B60Q 1/007	2	{via a removable cap}	
M	B60Q1/0076	1	{Switches therefor (B60Q1/1446, B60Q1/343, B60Q1/40 take precedence)}	
M	B60Q1/0088	1	{Details of electrical connections (B60Q1/305 takes precedence; electrical connection of the light source itself F21S41/192, F21S43/195)}	
M	B60Q1/0094	2	{Arrangement of electronic circuits separated from the light source, e.g. mounting of housings for starter circuits for discharge lamps (arrangements being part of the light source holder F21V17/06, F21S43/195)}	
M	B60Q1/045	4	{with provision for adjusting the alignment of the headlamp housing with respect to the vehicle body}	
M	B60Q1/0458	4	{the front cover being directly mounted onto the vehicle body}	

CPC NOTICE OF CHANGES 1304

DATE: MAY 1, 2022

PROJECT RP10402

<u>Type*</u>	<u>Symbol</u>	<u>Indent Level Number of dots (e.g. 0, 1, 2)</u>	<u>Title</u> <u>“CPC only” text should normally be enclosed in { curly brackets }**</u>	<u>Transferred to#</u>
C	B60Q1/0491	3	{Shock absorbing devices therefor}	B60Q1/0491, B60Q1/0495
N	B60Q1/0495	4	{Frangible brackets}	
M	B60Q1/06	3	adjustable, e.g. remotely-controlled from inside vehicle (B60Q1/05 takes precedence)	
M	B60Q1/14	3	having dimming means	
M	B60Q1/1407	4	{General lighting circuits comprising dimming circuits }	
M	B60Q1/1438	4	{Actuating means for dimming masks or screens }	
C	B60Q1/24	2	for lighting other areas than only the way ahead	B60Q1/24, B60Q1/245, B60Q1/247, B60Q1/249
T	B60Q1/245	3	{Searchlights, e.g. adjustable from within the vehicle (adjustable headlights B60Q1/06)}	
N	B60Q1/247	3	{for illuminating the close surroundings of the vehicle, e.g. to facilitate entry or exit (for reverse drive B60Q1/22; by opening a side door B60Q1/323)}	
N	B60Q1/249	3	{for illuminating the field of view of a sensor or camera }	
M	B60Q1/26	1	the devices being primarily intended to indicate the vehicle, or parts thereof, or to give signals, to other traffic	
M	B60Q1/2611	2	{Indicating devices mounted on the roof of the vehicle }	
M	B60Q1/2657	2	{mounted on a shaft, e.g. telescopic }	
M	B60Q1/2661	2	{mounted on parts having other functions (on wheels B60Q1/326)}	
M	B60Q1/2665	3	{on rear-view mirrors (lighting devices for vehicle interior on or for rear-view mirrors B60Q3/258)}	
M	B60Q1/2669	3	{on door or boot handles (lighting devices for vehicle interior on door handles B60Q3/267)}	
M	B60Q1/2673	3	{on parts worn by the driver, e.g. clothes, gloves or bags, specially adapted to provide auxiliary vehicle signalling }	

CPC NOTICE OF CHANGES 1304

DATE: MAY 1, 2022

PROJECT RP10402

<u>Type*</u>	<u>Symbol</u>	<u>Indent Level Number of dots (e.g. 0, 1, 2)</u>	<u>Title</u> <u>“CPC only” text should normally be enclosed in { curly brackets }**</u>	<u>Transferred to#</u>
M	B60Q1/2676	4	{Helmets }	
M	B60Q1/268	3	{on windscreens or windows (B60Q1/302 takes precedence; lighting devices for vehicle interior on or for windows B60Q3/208)}	
M	B60Q1/2684	3	{on wipers or windscreen washers }	
M	B60Q1/2688	3	{on exhaust pipes }	
M	B60Q1/2696	2	{Mounting of devices using LEDs }	
C	B60Q1/30	2	for indicating rear of vehicle, e.g. by means of reflecting surfaces	B60Q1/30, B60Q1/301, B60Q1/3015, B60Q1/303, B60Q1/304
N	B60Q1/301	3	{by means of surfaces, e.g. metal plate, reflecting the light of an external light source }	
N	B60Q1/3015	4	{combined with a lamp }	
U	B60Q1/302	3	{mounted in the vicinity, e.g. in the middle, of a rear window }	
N	B60Q1/303	3	{Rear fog lamps }	
N	B60Q1/304	3	{Adaptations of signalling devices having a part on the vehicle body and another on the boot door }	
M	B60Q1/307	3	{mounted on loading platforms }	
U	B60Q1/32	2	for indicating vehicle sides { , e.g. clearance lights }	
C	B60Q1/323	3	{on or for doors (illuminated exterior door handles B60Q1/2669; illuminated door locks E05B17/10)}	B60Q1/323, B60Q1/324, B60Q1/325
N	B60Q1/324	4	{for signalling that a door is open or intended to be opened }	
N	B60Q1/325	3	{on or for running boards or steps }	
C	B60Q1/38	3	using immovably-mounted light sources, e.g. fixed flashing lamps	B60Q1/38, B60Q1/381
N	B60Q1/381	4	{with several light sources activated in sequence, e.g. to create a sweep effect }	
M	B60Q1/425	5	{using a latching element for resetting a switching element }	
M	B60Q1/44	2	for indicating braking action {or preparation for braking, e.g. by detection of the foot approaching the brake pedal }	

CPC NOTICE OF CHANGES 1304

DATE: MAY 1, 2022

PROJECT RP10402

<u>Type*</u>	<u>Symbol</u>	<u>Indent Level Number of dots (e.g. 0, 1, 2)</u>	<u>Title</u> <u>“CPC only” text should normally be enclosed in {curly brackets}**</u>	<u>Transferred to#</u>
M	B60Q1/441	3	{Electric switches operable by the driver's pedals}	
M	B60Q1/46	2	for giving flashing caution signals during drive, other than signalling change of direction, e.g. flashing the headlights {or hazard lights}	
M	B60Q1/48	2	for parking purposes	
C	B60Q1/50	2	for indicating other intentions or conditions, e.g. request for waiting or overtaking	B60Q1/50, B60Q1/503, B60Q1/5035, B60Q1/5037, B60Q1/507, B60Q1/508, B60Q1/509, B60Q1/543, B60Q1/544, B60Q1/545, B60Q1/547, B60Q1/549
C	B60Q1/503	3	{using luminous text or symbol displays in or on the vehicle, e.g. static text}	B60Q1/503, B60Q1/5035, B60Q1/5037
N	B60Q1/5035	4	{electronic displays}	
N	B60Q1/5037	5	{the display content changing automatically, e.g. depending on traffic situation}	
M	B60Q1/506	3	{specific to silent vehicles, e.g. for warning that a hybrid or electric vehicle is approaching}	
N	B60Q1/507	3	{specific to autonomous vehicles}	
N	B60Q1/508	3	{specific to vehicles driving in fleets or convoys}	
N	B60Q1/509	3	{specific to unauthorised use, e.g. for indicating stolen vehicles or infringements of traffic rules}	
M	B60Q1/52	3	for indicating emergencies	
C	B60Q1/525	3	{automatically indicating risk of collision between vehicles in traffic or with pedestrians, e.g. after risk assessment using the vehicle sensor data}	B60Q1/525, B60Q1/535
N	B60Q1/535	4	{to prevent rear-end collisions, e.g. by indicating safety distance at the rear of the vehicle}	
M	B60Q1/54	3	for indicating speed {outside of the vehicle}	

CPC NOTICE OF CHANGES 1304

DATE: MAY 1, 2022

PROJECT RP10402

<u>Type*</u>	<u>Symbol</u>	<u>Indent Level Number of dots (e.g. 0, 1, 2)</u>	<u>Title</u> <u>“CPC only” text should normally be enclosed in {curly brackets}**</u>	<u>Transferred to#</u>
N	B60Q1/543	3	{for indicating other states or conditions of the vehicle (indicating taxis’ state of hire or fare G07B13/045)}	
N	B60Q1/544	3	{for indicating other states or conditions of the vehicle occupants, e.g. for indicating disabled occupants }	
N	B60Q1/545	3	{for indicating other traffic conditions, e.g. fog, heavy traffic }	
N	B60Q1/547	3	{for issuing requests to other traffic participants; for confirming to other traffic participants they can proceed, e.g. they can overtake }	
N	B60Q1/549	3	{for expressing greetings, gratitude or emotions }	
M	B60Q1/56	2	for illuminating registrations or the like {, e.g. for licence plates }	
U	B60Q3/20	1	for lighting specific fittings of passenger or driving compartments; mounted on specific fittings of passenger or driving compartments (lighting for dashboards B60Q3/10)	
C	B60Q3/225	2	Small compartments, e.g. glove compartments	B60Q3/225, B60Q3/229
N	B60Q3/229	3	{Cup holders }	
C	B60Q3/70	1	characterised by the purpose	B60Q3/70, B60Q3/731, B60Q3/735
U	B60Q3/72	2	for preventing the driver from being dazzled	
N	B60Q3/731	2	{for autonomous vehicle travel }	
N	B60Q3/735	3	{for preventing discomfort, e.g. for preventing motion sickness or for anticipating motion }	
M	B60Q5/00	0	Arrangement or adaptation of acoustic signal devices	
M	B60Q5/006	2	{indicating risk of collision between vehicles or with pedestrians }	
M	B60Q9/00	0	Arrangement or adaptation of signal devices not provided for in one of main groups B60Q 1/00 -	

CPC NOTICE OF CHANGES 1304

DATE: MAY 1, 2022

PROJECT RP10402

<u>Type*</u>	<u>Symbol</u>	<u>Indent Level Number of dots (e.g. 0, 1, 2)</u>	<u>Title</u> <u>“CPC only” text should normally be enclosed in { curly brackets }**</u>	<u>Transferred to#</u>
			B60Q 7/00 { , e.g. haptic signalling }	
M	B60Q11/00	0	Arrangement of monitoring devices for devices provided for in groups B60Q1/00 - B60Q9/00	
M	B60Q11/007	2	{ the lighting devices indicating change of drive direction }	
C	B60Q2400/00	0	Special features or arrangements of exterior signal lamps for vehicles	B60Q2400/00, B60Q2400/10, B60Q2400/50
T	B60Q2400/10	1	Electro- or photo- luminescent surfaces, e.g. signalling by way of electroluminescent strips or panels	
T	B60Q2400/50	1	Projected symbol or information, e.g. onto the road or car body	
C	B60Q2500/00	0	Special features or arrangements of vehicle interior lamps	B60Q2500/00, B60Q2500/30
D	B60Q2500/10	1	embedded in interior trim, e.g. integrated in headliner layers	<administrative transfer to B60Q3/54 INV>
U	B60Q2500/20	1	associated with air conditioning arrangements	
N	B60Q2500/30	1	Arrangements for illuminating different zones in the vehicle, e.g. front/rear, different seats	
N	B60Q2800/00	0	Features related to particular types of vehicles not otherwise provided for	
N	B60Q2800/10	1	Autonomous vehicles	
N	B60Q2800/20	1	Utility vehicles, e.g. for agriculture, construction work	
N	B60Q2800/30	1	Mass transport vehicles	
C	B60Q2900/00	0	Features of lamps not covered by other groups in B60Q	B60Q2900/00, B60Q2900/40, B60Q2900/50
U	B60Q2900/30	1	Lamps commanded by wireless transmissions	
N	B60Q2900/40	1	Several lamps activated in sequence, e.g. s sweep effect, progressive activation	
N	B60Q2900/50	1	Arrangements to reconfigure features of lighting or signalling devices, or to choose from a list of pre-defined settings	

CPC NOTICE OF CHANGES 1304

DATE: MAY 1, 2022

PROJECT RP10402

*N = new entries where reclassification into entries is involved; C = entries with modified file scope where reclassification of documents from the entries is involved; Q = new entries which are firstly populated with documents via administrative transfers from deleted (D) entries. Afterwards, the transferred documents into the Q entry will either stay or be moved to more appropriate entries, as determined by intellectual reclassification; T = existing entries with enlarged file scope, which receive documents from C or D entries, e.g. when a limiting reference is removed from the entry title; M = entries with no change to the file scope (no reclassification); D = deleted entries; F = frozen entries will be deleted once reclassification of documents from the entries is completed; U = entries that are unchanged.

NOTES:

- **No {curly brackets} are used for titles in CPC only subclasses, e.g. C12Y, A23Y; 2000 series symbol titles of groups found at the end of schemes (orthogonal codes); or the Y section titles. The {curly brackets} are used for 2000 series symbol titles found interspersed throughout the main trunk schemes (breakdown codes).
- U groups: it is obligatory to display the required “anchor” symbol (U group), i.e. the entry immediately preceding a new group or an array of new groups to be created (in case new groups are not clearly subgroups of C-type groups). Always include the symbol, indent level and title of the U group in the table above.
- All entry types should be included in the scheme changes table above for better understanding of the overall scheme change picture. Symbol, indent level, and title are required for all types.
- “Transferred to” column must be completed for all C, D, F, and Q type entries. F groups will be deleted once reclassification is completed.
- When multiple symbols are included in the “Transferred to” column, avoid using ranges of symbols in order to be as precise as possible.
- For administrative transfer of documents, the following text should be used: “<administrative transfer to XX>”, “<administrative transfer to XX and YY simultaneously>”, or “<administrative transfer to XX, YY, ...and ZZ simultaneously>” when administrative transfer of the same documents is to more than one place.
- Administrative transfer to main trunk groups is assumed to be the source allocation type, unless otherwise indicated.
- Administrative transfer to 2000/Y series groups is assumed to be “additional information”.
- If needed, instructions for allocation type should be indicated within the angle brackets using the abbreviations “ADD” or “INV”: <administrative transfer to XX ADD> , <administrative transfer to XX INV>, or < administrative transfer to XX ADD, YY INV, ... and ZZ ADD simultaneously>.
- In certain situations, the “D” entries of 2000-series or Y-series groups may not require a destination (“Transferred to”) symbol, however it is required to specify “<no transfer>” in the “Transferred to” column for such cases.
- For finalisation projects, the deleted “F” symbols should have <no transfer> in the “Transferred to” column.
- For more details about the types of scheme change, see CPC Guide.

CPC NOTICE OF CHANGES 1304

DATE: MAY 1, 2022

PROJECT RP10402

B. New, Modified or Deleted Warning(s)

B60Q - ARRANGEMENT OF SIGNALLING OR LIGHTING DEVICES, THE MOUNTING OR SUPPORTING THEREOF OR CIRCUITS THEREFOR, FOR VEHICLES IN GENERAL

<u>Type*</u>	<u>Location</u>	<u>Old Warning</u>	<u>New/Modified Warning</u>
M	B60Q	<p>1. The following IPC groups are not in the CPC scheme. The subject matter for these IPC groups is classified in the following CPC groups:</p> <p>B60Q1/128 covered by B60Q1/124</p> <p>B60Q1/132 covered by B60Q1/124</p> <p>B60Q1/136 covered by B60Q1/124</p> <p>2. In this subclass non-limiting references (in the sense of paragraph 39 of the Guide to the IPC) may still be displayed in the scheme.</p>	<p>The following IPC groups are not in the CPC scheme. The subject matter for these IPC groups is classified in the following CPC groups:</p> <p>B60Q1/128 covered by B60Q1/124</p> <p>B60Q1/132 covered by B60Q1/124</p> <p>B60Q1/136 covered by B60Q1/124</p>
N	B60Q 1/0491		Group B60Q 1/0491 is impacted by reclassification into group B60Q 1/0495. Groups B60Q 1/0491 and B60Q 1/0495 should be considered in order to perform a complete search.
N	B60Q 1/0495		Group B60Q 1/0495 is incomplete pending reclassification of documents from group B60Q 1/0491. Groups B60Q 1/0491 and B60Q 1/0495 should be considered in order to perform a complete search.
N	B60Q 1/24		Group B60Q 1/24 is impacted by reclassification into groups B60Q 1/245, B60Q 1/247 and B60Q 1/249. All groups listed in this Warning should be considered in order to perform a complete search.
N	B60Q 1/245		Group B60Q 1/245 is incomplete pending reclassification of documents from group B60Q 1/24. Groups B60Q 1/24 and B60Q 1/245 should be considered in order to perform a complete search.
N	B60Q 1/247		Group B60Q 1/247 is incomplete pending reclassification of documents from group B60Q 1/24. Groups

CPC NOTICE OF CHANGES 1304

DATE: MAY 1, 2022

PROJECT RP10402

<u>Type*</u>	<u>Location</u>	<u>Old Warning</u>	<u>New/Modified Warning</u>
			B60Q 1/24 and B60Q 1/247 should be considered in order to perform a complete search.
N	B60Q 1/249		Group B60Q 1/249 is incomplete pending reclassification of documents from group B60Q 1/24. Groups B60Q 1/24 and B60Q 1/249 should be considered in order to perform a complete search.
N	B60Q 1/30		Group B60Q 1/30 is impacted by reclassification into groups B60Q 1/301, B60Q 1/3015, B60Q 1/303 and B60Q 1/304. All groups listed in this Warning should be considered in order to perform a complete search.
N	B60Q 1/301		Groups B60Q 1/301 and B60Q 1/3015 are incomplete pending reclassification of documents from group B60Q 1/30. Groups B60Q 1/30, B60Q 1/301 and B60Q 1/3015 should be considered in order to perform a complete search.
N	B60Q 1/303		Group B60Q 1/303 is incomplete pending reclassification of documents from group B60Q 1/30. Groups B60Q 1/30 and B60Q 1/303 should be considered in order to perform a complete search.
N	B60Q 1/304		Group B60Q 1/304 is incomplete pending reclassification of documents from group B60Q 1/30. Groups B60Q 1/30 and B60Q 1/304 should be considered in order to perform a complete search.
N	B60Q 1/323		Group B60Q 1/323 is impacted by reclassification into groups B60Q 1/324 and B60Q 1/325. Groups B60Q 1/323, B60Q 1/324 and B60Q 1/325 should be considered in order to perform a complete search.
N	B60Q 1/324		Group B60Q 1/324 is incomplete pending reclassification of documents from group B60Q 1/323. Groups B60Q 1/323 and B60Q 1/324 should be considered in order to perform a complete search.
N	B60Q 1/325		Group B60Q 1/325 is incomplete pending reclassification of documents from group B60Q 1/323. Groups B60Q 1/323 and B60Q 1/325 should

CPC NOTICE OF CHANGES 1304

DATE: MAY 1, 2022

PROJECT RP10402

<u>Type*</u>	<u>Location</u>	<u>Old Warning</u>	<u>New/Modified Warning</u>
			be considered in order to perform a complete search.
N	B60Q 1/38		Group B60Q 1/38 is impacted by reclassification into group B60Q 1/381. Groups B60Q 1/38 and B60Q 1/381 should be considered in order to perform a complete search.
N	B60Q 1/381		Group B60Q 1/381 is incomplete pending reclassification of documents from group B60Q 1/38. Groups B60Q 1/38 and B60Q 1/381 should be considered in order to perform a complete search.
N	B60Q 1/50		Group B60Q 1/50 is impacted by reclassification into groups B60Q 1/503, B60Q1/5035, B60Q1/5037, B60Q 1/507, B60Q 1/508, B60Q 1/509, B60Q 1/543, B60Q 1/544, B60Q 1/545, B60Q 1/547 and B60Q 1/549. All groups listed in this Warning should be considered in order to perform a complete search.
N	B60Q 1/503		Group B60Q 1/503 is incomplete pending reclassification of documents from group B60Q 1/50. Group B60Q 1/503 is also impacted by reclassification into groups B60Q 1/5035 and B60Q 1/5037. All groups listed in this Warning should be considered in order to perform a complete search.
N	B60Q 1/5035		Groups B60Q 1/5035 and B60Q 1/5037 are incomplete pending reclassification of documents from groups B60Q 1/50 and B60Q 1/503. All groups listed in this warning should be considered in order to perform a complete search.
N	B60Q 1/507		Group B60Q 1/507 is incomplete pending reclassification of documents from group B60Q 1/50. Groups B60Q 1/50 and B60Q 1/507 should be considered in order to perform a complete search.
N	B60Q1/508		Group B60Q 1/508 is incomplete pending reclassification of documents from group B60Q 1/50. Groups B60Q 1/50 and B60Q 1/508 should be considered in order to perform a complete search.
N	B60Q 1/509		Group B60Q 1/509 is incomplete pending reclassification of documents

CPC NOTICE OF CHANGES 1304

DATE: MAY 1, 2022

PROJECT RP10402

<u>Type*</u>	<u>Location</u>	<u>Old Warning</u>	<u>New/Modified Warning</u>
			from group B60Q 1/50. Groups B60Q 1/50 and B60Q 1/509 should be considered in order to perform a complete search.
N	B60Q 1/525		Group B60Q 1/525 is impacted by reclassification into group B60Q 1/535. Groups B60Q 1/525 and B60Q 1/535 should be considered in order to perform a complete search.
N	B60Q 1/535		Group B60Q 1/535 is incomplete pending reclassification of documents from group B60Q 1/525. Groups B60Q 1/525 and B60Q 1/535 should be considered in order to perform a complete search.
N	B60Q 1/543		Group B60Q 1/543 is incomplete pending reclassification of documents from group B60Q 1/50. Groups B60Q 1/50 and B60Q 1/543 should be considered in order to perform a complete search.
N	B60Q 1/544		Group B60Q 1/544 is incomplete pending reclassification of documents from group B60Q 1/50. Groups B60Q 1/50 and B60Q 1/544 should be considered in order to perform a complete search.
N	B60Q 1/545		Group B60Q 1/545 is incomplete pending reclassification of documents from group B60Q 1/50. Groups B60Q 1/50 and B60Q 1/545 should be considered in order to perform a complete search.
N	B60Q 1/547		Group B60Q 1/547 is incomplete pending reclassification of documents from group B60Q 1/50. Groups B60Q 1/50 and B60Q 1/547 should be considered in order to perform a complete search.
N	B60Q 1/549		Group B60Q 1/549 is incomplete pending reclassification of documents from group B60Q 1/50. Groups B60Q 1/50 and B60Q 1/549 should be considered in order to perform a complete search.
N	B60Q 3/225		Group B60Q 3/225 is impacted by reclassification into group B60Q 3/229. Groups B60Q 3/225 and B60Q 3/229 should be considered in order to perform a complete search.
N	B60Q 3/229		Group B60Q 3/229 is incomplete pending reclassification of documents

CPC NOTICE OF CHANGES 1304

DATE: MAY 1, 2022

PROJECT RP10402

<u>Type*</u>	<u>Location</u>	<u>Old Warning</u>	<u>New/Modified Warning</u>
			from group B60Q 3/225. Groups B60Q 3/225 and B60Q 3/229 should be considered in order to perform a complete search.
N	B60Q3/70		Group B60Q 3/70 is impacted by reclassification into groups B60Q 3/731 and B60Q 3/735. Groups B60Q 3/70, B60Q 3/731 and B60Q 3/735 should be considered in order to perform a complete search.
N	B60Q3/731		Groups B60Q 3/731 and B60Q 3/735 are incomplete pending reclassification of documents from group B60Q 3/70. Groups B60Q 3/70, B60Q 3/731 and B60Q 3/735 should be considered in order to perform a complete search.
N	B60Q 2400/00		Group B60Q 2400/00 is impacted by reclassification into groups B60Q 2400/10 and B60Q 2400/50. Groups B60Q 2400/00, B60Q 2400/10 and B60Q 2400/50 should be considered in order to perform a complete search.
N	B60Q 2400/10		Group B60Q 2400/10 is incomplete pending reclassification of documents from group B60Q 2400/00. Groups B60Q 2400/00 and B60Q 2400/10 should be considered in order to perform a complete search.
N	B60Q 2400/50		Group B60Q 2400/50 is incomplete pending reclassification of documents from group B60Q 2400/00. Groups B60Q 2400/00 and B60Q 2400/50 should be considered in order to perform a complete search.
N	B60Q 2500/00		Group B60Q 2500/00 is impacted by reclassification into group B60Q 2500/30. Groups B60Q 2500/00 and B60Q 2500/30 should be considered in order to perform a complete search.
N	B60Q 2500/30		Group B60Q 2500/30 is incomplete pending reclassification of documents from group B60Q 2500/00. Groups B60Q 2500/00 and B60Q 2500/30 should be considered in order to perform a complete search.
N	B60Q 2900/00		Group B60Q 2900/00 is impacted by reclassification into groups B60Q 2900/40 and B60Q 2900/50. Groups B60Q 2900/00,

CPC NOTICE OF CHANGES 1304

DATE: MAY 1, 2022

PROJECT RP10402

<u>Type*</u>	<u>Location</u>	<u>Old Warning</u>	<u>New/Modified Warning</u>
			B60Q 2900/40 and B60Q 2900/50 should be considered in order to perform a complete search.
N	B60Q 2900/40		Group B60Q 2900/40 is incomplete pending reclassification of documents from group B60Q 2900/00. Groups B60Q 2900/00 and B60Q 2900/40 should be considered in order to perform a complete search.
N	B60Q 2900/50		Group B60Q 2900/50 is incomplete pending reclassification of documents from group B60Q 2900/00. Groups B60Q 2900/00 and B60Q 2900/50 should be considered in order to perform a complete search.

*N = new warning, M = modified warning, D = deleted warning

NOTE: The "Location" column only requires the symbol PRIOR to the location of the warning. No further directions such as "before" or "after" are required.

DATE: MAY 1, 2022

PROJECT RP10402

C. New, Modified or Deleted Note(s)

B60Q - ARRANGEMENT OF SIGNALLING OR LIGHTING DEVICES, THE MOUNTING OR SUPPORTING THEREOF OR CIRCUITS THEREFOR, FOR VEHICLES IN GENERAL

<u>Type*</u>	<u>Location</u>	<u>Old Note</u>	<u>New/Modified Note</u>
M	B60Q	<p>1. This subclass also covers the operation and control of lighting devices, for example:</p> <ul style="list-style-type: none"> • arrangement or adaptation of lighting switches or signal-initiating means for vehicles. - control of lighting devices in relation to the vehicle as a whole, e.g. for levelling, swivelling or aiming. <p>2. This subclass does not cover optical, mechanical, thermal or electrical arrangement of elements within lighting devices, which are covered by groups F21S41/00 – F21S45/00.</p> <p>3. Attention is drawn to the Note following the title of class B60.</p> <p>4. Attention is drawn to the following places:</p> <p>5.</p> <p>B60K28/00 Safety devices, e.g. sleeping driver B60R25/00 Anti-theft B62D Driving assistance B62D15/02 Steering aids B60K31/0008 Cruise control G01S Infrared night vision G01S13/931 Anti-collision G05D1/00 Automatic pilot G06K9/00 Pattern recognition G06T3/00 Image transformation G06T5/00 Image enhancement G06T7/00 Image analysis G08B21/00 Alarms in general G08G Traffic control</p>	<p>1. This subclass also <u>covers</u> the operation and control of lighting devices, for example:</p> <ul style="list-style-type: none"> • arrangement or adaptation of lighting switches or signal-initiating means for vehicles; • control of lighting devices in relation to the vehicle as a whole, e.g. for levelling, swivelling or aiming. <p>2. This subclass <u>does not cover</u> optical, mechanical, thermal or electrical arrangement of elements within lighting devices, which are covered by groups F21S 41/00-F21S 45/00.</p> <p>3. Attention is drawn to the Note following the title of class B60.</p>

CPC NOTICE OF CHANGES 1304

DATE: MAY 1, 2022

PROJECT RP10402

<u>Type*</u>	<u>Location</u>	<u>Old Note</u>	<u>New/Modified Note</u>
		G08G1/16 Anti-collision systems H04N Television systems	

*N = new note, M = modified note, D = deleted note

NOTE: The "Location" column only requires the symbol PRIOR to the location of the note. No further directions such as "before" or "after" are required.

DATE: MAY 1, 2022

PROJECT RP10402

2. A. DEFINITIONS (new)

Insert: The following new Definitions.

B60Q 1/0005

References

Limiting References:

This place does not cover:

Windshield wipers for cleaning optical devices of vehicles	B60S1/04
--	----------

Informative references:

Attention is drawn to the following places, which may be of interest for search:

Protecting lighting devices from damage in general	F21V15/00
Fastening of grids or protective cages in general	F21V17/00

B60Q 1/0011

Informative references:

Attention is drawn to the following places, which may be of interest for search:

Using light guides inside a single device	F21S41/24, F21S43/235
Light guides per se	G02B6/0001

DATE: MAY 1, 2022

PROJECT RP10402

B60Q 1/0064**Limiting References:***This place does not cover:*

Swivel arrangements	B60Q1/0425
---------------------	------------

Informative references:*Attention is drawn to the following places, which may be of interest for search:*

Fastening of light sources or lamp holders	F21S41/19, F21S43/19
Fastening of covers	F21S41/50
Changing light sources in general	F21V19/04

B60Q 1/007**Definition statement***This place covers*

Devices in which the cap has no mechanical link (no holding function) with the bulb

Informative references:*Attention is drawn to the following places, which may be of interest for search:*

Fastening of the light source by a cap holding the light source	F21S 41/19, F21S 43/19
---	---------------------------

DATE: MAY 1, 2022

PROJECT RP10402

B60Q 1/0076**References****Limiting References:***This place does not cover:*

Mechanically actuated switches for dimming of head lights	B60Q1/1446
Optical signalling or lighting devices with manually actuated switching arrangements for indicating change of drive direction	B60Q1/343
Optical signalling or lighting devices arrangements for indicating change of drive direction with mechanical automatic return	B60Q1/40

Informative references:*Attention is drawn to the following places, which may be of interest for search:*

Arrangements or fitting of control knobs on dashboard	B60K37/06
---	-----------

B60Q 1/0088**Definition statement***This place covers*

Connections to the vehicle power supply or connections of several lamp units with each other.

References**Limiting References:***This place does not cover:*

Details of electrical connections of indicating devices for towed vehicles	B60Q1/305
--	-----------

Electrical connection of the light source itself	F21S41/192, F21S43/195
--	---------------------------

Informative references:

Attention is drawn to the following places, which may be of interest for search:

Electrical connectors in general	H01R
----------------------------------	------

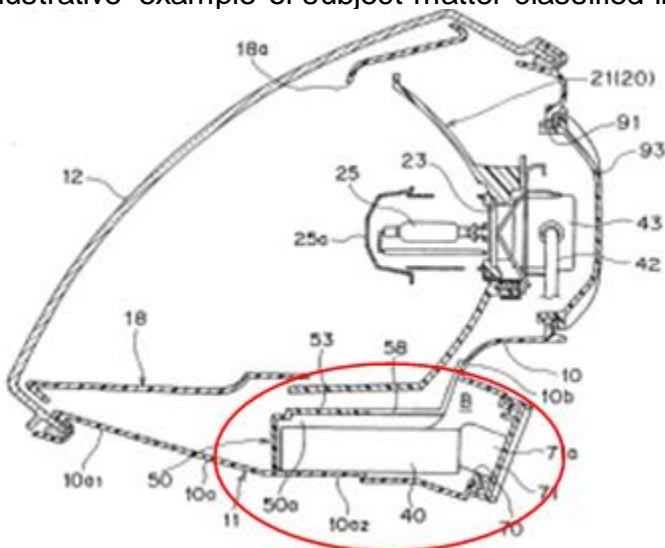
B60Q 1/0094

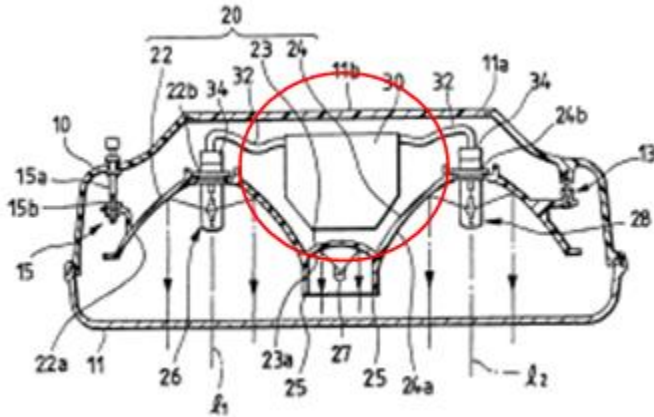
Definition statement

This place covers:

- position, mounting of the circuit unit in or outside the lamp unit
- connections between the circuit unit and the light source or the external power supply

Illustrative example of subject matter classified in this group.





References

Limiting References:

This place does not cover:

Arrangements of electronic circuits being part of the light source holder	F21V 17/06, F21S 43/195
---	----------------------------

Informative references:

Attention is drawn to the following places, which may be of interest for search:

Architecture or diagrams of electronic circuits for vehicle lamps	B60Q 1/1415, B60Q 1/1423, B60Q 1/143
Electronic circuits per se	H05B
Arrangement of electric circuit elements in or on lighting devices	F21V 23/00
Details of lamp holders, terminals or connectors	F21S 41/192

DATE: MAY 1, 2022

PROJECT RP10402

B60Q 1/0408**Relationships with other classification places**

Arrangements on headlights for positioning or indexing other vehicle parts (e.g. bumper cover or wing) are classified here and in the field relating to the other parts, e.g. B62D 25/00, B60R 19/00.

References**Limiting References:**

This place does not cover:

Shock absorbing devices therefor	B60Q1/0491
Retractable headlights	B60Q1/05
Integrated front ends	B62D25/00

B60Q 1/0425**Relationships with other classification places**

Arrangements in which the headlight can be entirely swivelled around an axis for instance to change the bulb are classified in this group. Small swivelling for adjustment purposes is covered by B60Q 1/045, B60Q 1/068.

B60Q 1/045**References****Informative references:**

Attention is drawn to the following places, which may be of interest for search:

Adjusting the light beam	B60Q 1/06
--------------------------	-----------

DATE: MAY 1, 2022

PROJECT RP10402

B60Q 1/0458**References*****Informative references:****Attention is drawn to the following places, which may be of interest for search:*

Mounting the cover on the housing	F21S 41/50
-----------------------------------	------------

B60Q 1/0491**Definition statement***This place covers:*

Shock absorbing devices located within or on the housing in order to minimize pedestrian injuries or minimize damages to the headlamp or the signal lamp.

Relationships with other classification places

Arrangements for preventing vibrations of the light source are classified in F21S41/19 for headlamps and in F21S43/19 for signal lamps and also in F21S45/10.

References***Informative references:****Attention is drawn to the following places, which may be of interest for search:*

Arrangements or fittings on vehicles for protecting or preventing injuries to pedestrians in case of accidents or other traffic risks	B60R 21/34
Shock absorbing devices in general	F16F 15/04
Resilient mounting of lighting devices in general	F21V 15/04
Safety devices structurally associated with lighting devices	F21V 25/00

DATE: MAY 1, 2022

PROJECT RP10402

B60Q 1/0495

References

Informative references:

Attention is drawn to the following places, which may be of interest for search:

Safety devices coming into action when lighting device is disturbed, dismantled or broken	F21V 25/02
---	------------

B60Q 1/06

References

Limiting References:

This place does not cover:

Retractable headlights	B60Q1/05
------------------------	----------

Informative references:

Attention is drawn to the following places, which may be of interest for search:

Controlling the distribution of the light emitted by acting on refractors	F21S 41/63
---	------------

B60Q 1/076

Special rules of classification

Details of automatic headlight adjustment systems which would otherwise be classified in B60Q 1/115 or B60Q 1/122 are instead classified in B60Q1/076 if the general features of the actuating means, e.g. motors, shafts, ball-joints are included.

DATE: MAY 1, 2022

PROJECT RP10402

B60Q 1/08

Special rules of classification

Documents in this group and its subgroups are also classified in [B60Q 2300/00](#) according to the parameters used for the automatic adjustment or switching. However, classification in [B60Q 2300/00](#) is only done for parameters whose contribution in the automatic process is clearly shown. Statements such as that "parameter x could be used for the adjustment" or "parameter x is measured by a sensor and fed into the control unit" without further details are not sufficient for classification in [B60Q 2300/00](#). [B60Q 2300/00](#) is only used for [B60Q 1/08](#) and its subgroups, [B60Q 1/1423](#) and [B60Q 1/143](#).

B60Q 1/12

Special rules of classification

Devices in which automatic cornering is done by an additional, separate headlamp are classified in [B60Q 1/12](#) and [B60Q 1/18](#).

B60Q 1/14

References

Informative references

Attention is drawn to the following places, which may be of interest for search:

Lighting power supply circuits in general	H05B
---	----------------------

DATE: MAY 1, 2022

PROJECT RP10402

B60Q 1/1407**References****Informative references**

Attention is drawn to the following places, which may be of interest for search:

Dimming circuits per se	B60Q1/1415
-------------------------	----------------------------

B60Q 1/1423**References****Informative references**

Attention is drawn to the following places, which may be of interest for search:

Lighting device activated by means of a sensor, e.g. motion or photodetectors	F21V 23/0442
---	------------------------------

Special rules of classification

Documents in this group and its subgroup [B60Q 1/143](#) are also classified in [B60Q 2300/00](#) according to the parameters used for the automatic adjustment or switching. However, classification in [B60Q 2300/00](#) is only done for parameters whose contribution in the automatic process is clearly shown. Statements such as that "parameter x could be used for the adjustment" or "parameter x is measured by a sensor and fed into the control unit" without further details are not sufficient for classification in [B60Q 2300/00](#). [B60Q 2300/00](#) is only used for [B60Q 1/08](#) and its subgroups, [B60Q 1/1423](#) and [B60Q 1/143](#).

DATE: MAY 1, 2022

PROJECT RP10402

B60Q 1/1438

References

Informative references

Attention is drawn to the following places, which may be of interest for search:

Variable light distribution by acting on screens as such
--

F21S 41/68

B60Q 1/18

References

Limiting References:

This place does not cover:

Bracket mounted headlights

B60Q 1/0483

Special rules of classification

Devices in which automatic cornering is done by an additional, separate headlamp are classified in [B60Q 1/12](#) and [B60Q 1/18](#).

B60Q 1/24

Special rules of classification

Cornering lights are classified in [B60Q 1/12](#).

DATE: MAY 1, 2022

PROJECT RP10402

B60Q 1/245

Definition statement

This place covers:

Arrangements for illuminating in which an entire spotlight or searchlight is moved as a unit.

Limiting References:

This place does not cover:

Adjustable headlights	B60Q 1/06
-----------------------	-----------

B60Q 1/247

References

Limiting References:

This place does not cover:

Lighting devices for reverse drive	B60Q 1/22
Lighting devices operated by opening a side door	B60Q 1/323

Informative references:

Attention is drawn to the following places, which may be of interest for search:

The light being emitted to facilitate access to the vehicle	F21W 2102/40
---	--------------

DATE: MAY 1, 2022

PROJECT RP10402

B60Q 1/249

Definition statement

This place covers:

Arrangements specifically adapted for illuminating, in visible or non-visible light, the field of view of sensors or cameras.

References

Informative references:

Attention is drawn to the following places, which may be of interest for search:

Lighting or signalling devices with sensors integrated in their housing	B60Q 1/0023
Constructional features of LIDAR systems, e.g. arrangements of optical elements	G01S 7/481

B60Q 1/26

References

Informative references:

Attention is drawn to the following places, which may be of interest for search:

Means for the lighting or illuminating of antennas, e.g. for purpose of warning	H01Q 1/06
---	-----------

DATE: MAY 1, 2022

PROJECT RP10402

B60Q 1/2611**References****Informative references:***Attention is drawn to the following places, which may be of interest for search:*

Flashing light sources in general	F21S 10/06
-----------------------------------	------------

B60Q 1/2657**References****Informative references:***Attention is drawn to the following places, which may be of interest for search:*

Lamps on antennas or powerlines	F21S 8/085
---------------------------------	------------

B60Q 1/2665**References****Limiting References:***This place does not cover:*

Lighting devices for vehicle interior on or for rear-view mirrors	B60Q 3/258
---	------------

Informative references:*Attention is drawn to the following places, which may be of interest for search:*

Rear-view mirror arrangements	B60R 1/02
Mirror assemblies combined with lamps	B60R 1/1207
Adaptations or arrangements of mirrors for use on cycles	B62J29/00

DATE: MAY 1, 2022

PROJECT RP10402

B60Q 1/2669**References****Limiting References:***This place does not cover:*

Lighting devices for vehicle interior on door handles	B60Q 3/267
---	------------

Informative references:*Attention is drawn to the following places, which may be of interest for search:*

Vehicle doors	B60J 5/00
Illuminating devices on or for locks or keys	E05B 17/10
Keyhole finders	E05B 15/08

B60Q 1/2673**Definition statement***This place covers:*

Portable lighting and signalling devices worn by a (motorcycle) driver or passenger and not mounted on the vehicle, whereby the device repeats or replaces a lighting or signalling function of the vehicle.

References**Informative references:***Attention is drawn to the following places, which may be of interest for search:*

Professional or sporting clothes with reflecting or luminous means	A41D 13/01
Protective gloves with reflecting or luminous means	A41D 19/0157

DATE: MAY 1, 2022

PROJECT RP10402

B60Q 1/2676**References*****Informative references:****Attention is drawn to the following places, which may be of interest for search:*

Helmets in general	A42B 3/00
Helmets with signalling or lighting devices	A42B 3/0433

B60Q 1/268**References*****Limiting References:****This place does not cover:*

For indicating rear of vehicle, e.g. by means of reflecting surfaces, and mounted in the vicinity, e.g. in the middle, of a rear window	B60Q 1/302
Lighting devices for vehicle interior on or for windows	B60Q 3/208

Informative references:*Attention is drawn to the following places, which may be of interest for search:*

Windows or windscreens in general	B60J 1/00
-----------------------------------	-----------

DATE: MAY 1, 2022

PROJECT RP10402

B60Q 1/2684

References

Informative references:

Attention is drawn to the following places, which may be of interest for search:

Vehicle wipers	B60S 1/04
Windscreen washers	B60S 1/46

B60Q 1/2688

References

Informative references:

Attention is drawn to the following places, which may be of interest for search:

Exhaust or silencing apparatuses in general	F01N
---	------

B60Q 1/2696

References

Informative references:

Attention is drawn to the following places, which may be of interest for search:

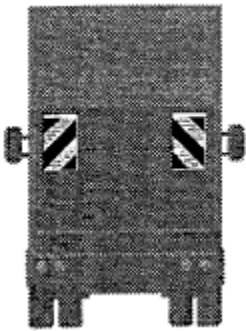
Fastening of LEDs on printed circuits	F21V 19/001
---------------------------------------	-------------

B60Q 1/301

Definition statement

This place covers:

Illustrative example (see two striped reflective surfaces) of subject matter classified in this group.



References

Informative references:

Attention is drawn to the following places, which may be of interest for search:

Vehicle signalling devices characterised by refractors	F21S 43/26
Vehicle signal lamp reflectors using total internal reflection	F21S 43/315
Reflex reflectors per se	G02B 5/12

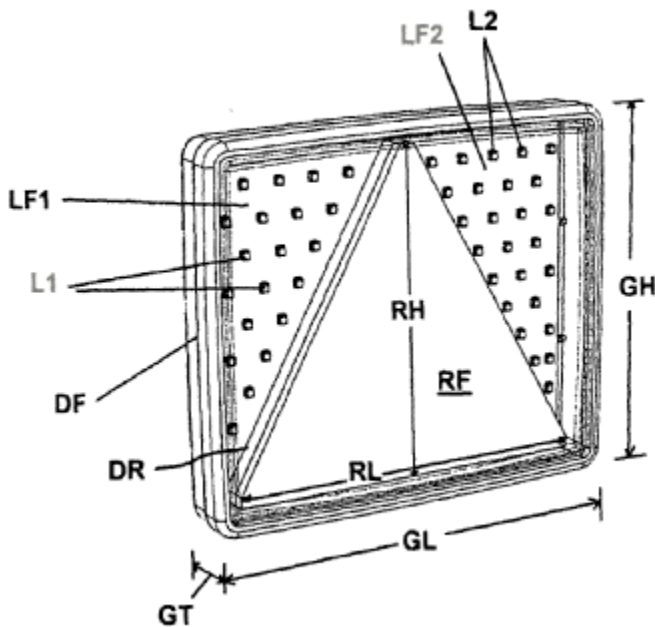
B60Q 1/3015

Definition statement

This place covers:

Illustrative example of subject matter classified in this group.

RF: Reflector Surface;
L1, L2: Light Sources



References

Informative references:

Attention is drawn to the following places, which may be of interest for search:

Vehicle signalling devices characterised by refractors	F21S43/26
Vehicle signal lamp reflectors using total internal reflection	F21S 43/315
Reflex reflectors per se	G02B 5/12

B60Q 1/302

References

Informative references:

Attention is drawn to the following places, which may be of interest for search:

The light being emitted to facilitate access to the vehicle	F21W 2102/40
Signalling devices specially adapted for vehicle exteriors, e.g. brake lamps, direction indicator lights or reversing lights	F21S 43/00

B60Q 1/303

References

Informative references:

Attention is drawn to the following places, which may be of interest for search:

Rear fog lights	F21W 2103/40
-----------------	--------------

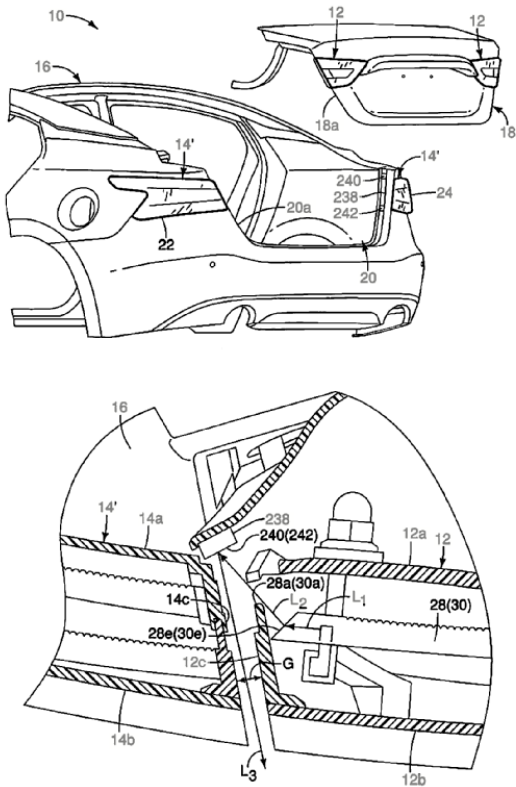
B60Q 1/304

Definition statement

This place covers:

Arrangements and controls of signalling devices having a part on the vehicle body and a part on the boot door, e.g. increasing light intensity of the lamp part located on the vehicle body when the boot door is open.

Illustrative example of subject matter classified in this group.



Informative references:

Attention is drawn to the following places, which may be of interest for search:

Hazard lights	F21W 2103/30
Brake lights	F21W 2103/35
Reversing lights	F21W 2103/45

DATE: MAY 1, 2022

PROJECT RP10402

B60Q 1/307

References

Informative references:

Attention is drawn to the following places, which may be of interest for search:

Warning signals on loading platforms of vehicles predominantly for transporting loads and modified to facilitate loading or unloading	B60P 1/4464
---	-------------

B60Q 1/32

References

Informative references:

Attention is drawn to the following places, which may be of interest for search:

Side marker lights	F21W 2103/15
--------------------	--------------

B60Q 1/425

References

Informative references:

Attention is drawn to the following places, which may be of interest for search:

Hand-actuated multifunction switches	B60Q1/1461
--------------------------------------	------------

DATE: MAY 1, 2022

PROJECT RP10402

B60Q 1/441

References

Informative references:

Attention is drawn to the following places, which may be of interest for search:

Electric switches in general	H01H
------------------------------	------

B60Q 1/46

References

Informative references:

Attention is drawn to the following places, which may be of interest for search:

Flashing lights in general	F21S 10/06
----------------------------	------------

B60Q 1/48

References

Informative references:

Attention is drawn to the following places, which may be of interest for search:

Warning arrangements in garages	E04H6/42
---------------------------------	----------

DATE: MAY 1, 2022

PROJECT RP10402

B60Q 1/50**Definition statement***This place covers:*

Arrangements and controls for providing signals to other traffic participants, whereby the purpose of the signal is not covered by other subgroups of B60Q 1/26.

Informative references:*Attention is drawn to the following places, which may be of interest for search:*

Illuminated devices on vehicles for advertisement or general information purposes	G09F 13/00, G09F 13/044, G09F 2013/227, G09F 21/04
Projection of signs from lighting devices, e.g. symbols or information being projected onto the road	B60Q 2400/50, F21W 2103/60

B60Q 1/509**Relationships with other classification places**

Optical devices indicating unauthorised use of vehicle to the vehicle exterior are classified in B60Q 1/509 and in B60R 25/10 and subgroups.

References**Informative references:***Attention is drawn to the following places, which may be of interest for search:*

Safety devices coming into action when lighting device is disturbed, dismantled, or broken	F21V 25/02
--	------------

DATE: MAY 1, 2022

PROJECT RP10402

B60Q 1/52**Definition statement***This place covers:*

Arrangements whereby an optical signal is given to other traffic when the vehicle is in a critical situation, such as involved in an accident, (partly) disabled, or airbags have been deployed.

References***References out of a residual place:****Examples of places in relation to which this place is residual:*

Signalling emergency braking	B60Q 1/444, B60Q 1/447
------------------------------	---------------------------

Informative references:*Attention is drawn to the following places, which may be of interest for search:*

Portable emergency signal devices	B60Q 7/00
Hazard lights	B60Q 1/46, F21W 2103/30
Projection of signs from lighting devices, e.g. symbols or information being projected onto the road	B60Q 2400/50, F21W 2103/60

Special rules of classification

Arrangements of signalling devices for emergency vehicles, such as light bars for ambulances or police vehicles are classified in B60Q 1/2611 only.

DATE: MAY 1, 2022

PROJECT RP10402

B60Q 1/525**Definition statement***This place covers:*

Arrangements for indicating to other traffic a potentially dangerous situation whereby the situation is not an emergency yet, i.e. an accident has not yet happened.

This place relates to driving situations other than parking.

The arrangements in this group assess the vehicle environment, e.g. distances to other traffic, lane departure, and automatically emit an external optical signal based on the evaluation of potentially dangerous situation such as a probable collision.

References**References out of a residual place:***Examples of places in relation to which this place is residual:*

External optical signalling while reversing	B60Q 1/22
Signalling emergency braking	B60Q 1/444, B60Q 1/447
External optical signalling while parking	B60Q 1/48

Informative references:*Attention is drawn to the following places, which may be of interest for search:*

Drive control systems for vehicles predicting or avoiding probable or impending collision	B60W 30/08
Systems using the reflection or reradiation of radio waves, e.g. radar systems	G01S 13/00
Systems using the reflection or reradiation of acoustic waves, e.g. sonar systems	G01S 15/00
Systems using the reflection or reradiation of electromagnetic waves other than radio waves, e.g. lidar systems	G01S 17/00
Control of position or course in two dimensions for land vehicles	G05D 1/021

CPC NOTICE OF CHANGES 1304

DATE: MAY 1, 2022

PROJECT RP10402

Traffic control systems relating to anti-collision
--

G08G 1/16

DATE: MAY 1, 2022

PROJECT RP10402

B60Q 1/54**Informative references:***Attention is drawn to the following places, which may be of interest for search:*

Automatic vehicle speed controlling fittings including unintended speed signalling devices to the vehicle driver	B60K 31/18
Illuminated devices on vehicles for advertisement or general information purposes	G09F 13/00, G09F 13/044, G09F 2013/227, G09F 21/04

B60Q 1/543**References****Limiting References:***This place does not cover:*

Indicating taxis' state of hire or fare	G07B 13/045
---	-------------

References out of a residual place:*Examples of places in relation to which this place is residual:*

Indicating silent vehicle	B60Q 1/506
Indicating autonomous driving	B60Q 1/507
Indicating driving in fleets or convoys	B60Q 1/508
Indicating unauthorised use, e.g. for indicating stolen vehicles or infringements of traffic rules	B60Q 1/509, B60R 25/10
External optical signalling for indicating an emergency, e.g. a disabled vehicle	B60Q 1/52

Informative references:*Attention is drawn to the following places, which may be of interest for search:*

Illuminated devices on vehicles for advertisement or general information purposes	G09F 13/00, G09F 13/044, G09F 2013/227, G09F 21/04
---	---

DATE: MAY 1, 2022

PROJECT RP10402

B60Q 1/544**References****References out of a residual place:***Examples of places in relation to which this place is residual:*

External optical signalling for indicating an emergency	B60Q 1/52
---	-----------

Informative references:*Attention is drawn to the following places, which may be of interest for search:*

Illuminated devices on vehicles for advertisement or general information purposes	G09F 13/00, G09F 13/044, G09F 2013/227, G09F 21/04
---	---

B60Q 1/547**Informative references:***Attention is drawn to the following places, which may be of interest for search:*

Illuminated devices on vehicles for advertisement or general information purposes	G09F 13/00, G09F 13/044, G09F 2013/227, G09F 21/04
---	---

B60Q 1/549**References****References out of a residual place:***Examples of places in relation to which this place is residual:*

External optical signalling for indicating an emergency	B60Q 1/52
External optical signalling for indicating a probable collision	B60Q 1/525

Informative references:*Attention is drawn to the following places, which may be of interest for search:*

CPC NOTICE OF CHANGES 1304

DATE: MAY 1, 2022

PROJECT RP10402

Illuminated devices on vehicles for advertisement or general information purposes	G09F 13/00, G09F 13/044, G09F 2013/227, G09F 21/04
Traffic control systems for road vehicles	G08G 1/00

B60Q 1/56

References

Informative references:

Attention is drawn to the following places, which may be of interest for search:

Licence plates	B60R 13/10
----------------	------------

B60Q 5/006

References

Informative references:

Attention is drawn to the following places, which may be of interest for search:

Radars designed for anti-collision purposes between land vehicles or between land vehicle and fixed obstacles	G01S13/931
Control of position or course in two dimensions for land vehicles	G05D1/021
Anti-collision systems for road vehicles	G08G1/16

DATE: MAY 1, 2022

PROJECT RP10402

B60Q 11/007**References*****Informative references:****Attention is drawn to the following places, which may be of interest for search:*

Arrangements or adaptations of optical signalling or lighting devices for indicating change of drive direction as such	B60Q 1/34
--	-----------

B60Q 2400/10**References*****Informative references:****Attention is drawn to the following places, which may be of interest for search:*

Vehicular signalling strips of light sources	F21S 43/15
Vehicular signalling light sources where the light is generated by photoluminescent material spaced from a primary light generating element	F21S 43/16
Elements containing photoluminescent material distinct from or spaced from the light source	F21V 9/30

B60Q 2400/50**References*****Informative references:****Attention is drawn to the following places, which may be of interest for search:*

Projection of signs from lighting devices, e.g. symbols or information being projected onto the road	F21W 2103/60
--	--------------

DATE: MAY 1, 2022

PROJECT RP10402

B60Q 2500/00

References

Informative references:

Attention is drawn to the following places, which may be of interest for search:

Interior vehicle lighting devices	F21W 2106/00
-----------------------------------	--------------

2. A. DEFINITIONS (modified)

B60Q

References

Insert: The following new Application-oriented references section.

Application-oriented references

Examples of places where the subject matter of this place is covered when specially adapted, used for a particular purpose, or incorporated in a larger system:

Arrangement of lighting devices for rail vehicles	B61D 29/00
Arrangement of optical signalling or lighting devices on cycles; Mounting or supporting thereof; Circuits therefor	B62J 6/00
Arrangements or adaptations of signalling or lighting devices on ships	B63B 45/00
Arrangements or adaptations of signal or lighting devices on aircrafts	B64D 47/02

Informative references:

Attention is drawn to the following places, which may be of interest for search:

Replace: The existing Informative references table with the following updated table.

Safety devices, e.g. sleeping driver	B60K28/00
Cruise control	B60K31/0008

CPC NOTICE OF CHANGES 1304

DATE: MAY 1, 2022

PROJECT RP10402

Arrangements of cameras in vehicles	B60R 1/00
Vehicle electric circuits in general	B60R 16/00
Anti-theft	B60R25/00
Driving assistance	B62D
Steering aids	B62D15/02
Mounting means	F16B
Lighting in general, lighting devices per se	F21, H05B
Lighting or signalling devices per se	F21S, F21V
Infrared night vision	G01S
Anti-collision	G01S13/931
Automatic pilot	G05D1/00
Pattern recognition	G06K9/00
Image transformation	G06T3/00
Image enhancement	G06T5/00
Image analysis	G06T7/00
Signalling in general	G08
Alarms in general	G08B21/00
Traffic control	G08G
Inter-vehicle communication for warning purposes	G08G 1/00
Anti-collision systems	G08G1/16
Illumination of logos, symbols, advertisement	G09F
Electric switches per se	H01H
Television systems	H04N
Electric lighting not otherwise provided for	H05B

B60Q 1/00

Replace: The existing Definition statement text with the following updated text.

Definition statement

This place covers:

The arrangement or adaptation of non-portable devices on vehicles dedicated to:

- illuminate areas outside of a vehicle in visible and non-visible wavelength range;
- give optical signals to the outside of the vehicle.

The mounting thereof, also for adjustable devices.

The circuits thereof.

The switches thereof.

The manual or automatic control and signal-initiating means thereof.

References:

Limiting references:

This place does not cover:

Delete: The following three references from the Limiting references table.

Assembling headlights on an assembly line	B62D 65/16
Calibration of headlight	G01M 11/06
Control circuits of light sources for camera capture	H05B 41/30

DATE: MAY 1, 2022

PROJECT RP10402

Informative references:

Attention is drawn to the following places, which may be of interest for search:

Insert: The following four new references in the Informative references table.

Assembling headlights on an assembly line	B62D 65/16
Calibration of headlight	G01M 11/06
Control circuits of light sources for camera capture	H05B 41/30
Circuit arrangements for electric light sources in general	H05B 47/00

B60Q 3/50

References:

Limiting references:

This place does not cover:

Delete: The following reference from the Limiting references table.

Fastening of component parts of lighting devices in general	F21V 17/00, F21V 19/00
---	---------------------------

DATE: MAY 1, 2022

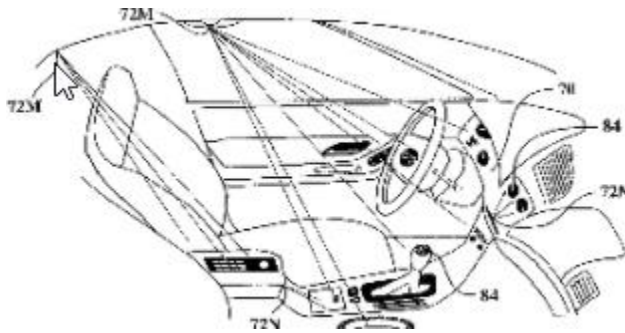
PROJECT RP10402

B60Q 3/68

Definition statement

This place covers:

Insert: The following new image in the Definition statement. Keep the currently existing text.



B60Q 9/00

References:

Delete: The entire Limiting references section.

Informative references:

Attention is drawn to the following places, which may be of interest for search:

Insert: The following new reference in the Informative references table.

Instruction means for parking or steering aid	B62D 15/027, B62D 15/029
---	-----------------------------

DATE: MAY 1, 2022

PROJECT RP10402

B60Q 11/00

References:

Delete: The entire Limiting references section.

Informative references:

Attention is drawn to the following places, which may be of interest for search:

Insert: The following two new references in the Informative references table.

Testing of alignment of vehicle headlights at manufacture	G01M 11/06
Testing of electric installations on road vehicle	G01R 31/006

CPC NOTICE OF CHANGES 1304

DATE: MAY 1, 2022

PROJECT RP10402

3. REVISION CONCORDANCE LIST (RCL)

<u>Type*</u>	<u>From CPC Symbol (existing)</u>	<u>To CPC Symbol(s)</u>
C	B60Q 1/0491	B60Q 1/0491, B60Q 1/0495
C	B60Q 1/24	B60Q 1/24, B60Q 1/245, B60Q 1/247, B60Q 1/249
C	B60Q 1/30	B60Q 1/30, B60Q 1/301, B60Q 1/3015, B60Q 1/303, B60Q 1/304
C	B60Q 1/323	B60Q 1/323, B60Q 1/324, B60Q 1/325
C	B60Q 1/38	B60Q 1/38, B60Q 1/381
C	B60Q 1/50	B60Q 1/50, B60Q 1/503, B60Q 1/5035, B60Q 1/5037, B60Q 1/507, B60Q 1/508, B60Q 1/509, B60Q 1/543, B60Q 1/544, B60Q 1/545, B60Q 1/547, B60Q 1/549
C	B60Q 1/503	B60Q 1/503, B60Q 1/5035, B60Q 1/5037
C	B60Q 1/525	B60Q 1/525, B60Q 1/535
C	B60Q 3/225	B60Q 3/225, B60Q 3/229
C	B60Q 3/70	B60Q 3/70, B60Q 3/731, B60Q 3/735
C	B60Q 2400/00	B60Q 2400/00, B60Q 2400/10, B60Q 2400/50
C	B60Q 2500/00	B60Q 2500/00, B60Q 2500/30
D	B60Q 2500/10	<administrative transfer to B60Q 3/54 INV>
C	B60Q 2900/00	B60Q 2900/00, B60Q 2900/40, B60Q 2900/50

* C = entries with modified file scope where reclassification of documents from the entries is involved; Q = new entries which are firstly populated with documents via administrative transfers from deleted (D) entries. Afterwards, the transferred documents into the Q entry will either stay or be moved to more appropriate entries, as determined by intellectual reclassification; D = deleted entries; F = frozen entries will be deleted once reclassification of documents from the entries is completed.

NOTES:

- Only C, D, F, and Q type entries are included in the table above.
- When multiple symbols are included in the “To” column, do not use ranges of symbols.
- For administrative transfer of documents, the following text should be used: “< administrative transfer to XX>”, “<administrative transfer to XX and YY simultaneously>”, or “<administrative transfer to XX, YY, ...and ZZ simultaneously>” when administrative transfer of the same documents is to more than one place.
- Administrative transfer to main trunk groups is assumed to be the source allocation type, unless otherwise indicated.
- Administrative transfer to 2000/Y series groups is assumed to be “additional information”.
- If needed, instructions for allocation type should be indicated within the angle brackets using the abbreviations “ADD” or “INV”: <administrative transfer to XX ADD>, <administrative transfer to XX INV>, or < administrative transfer to XX ADD, YY INV, ... and ZZ ADD simultaneously>.
- In certain situations, the “D” entries of 2000-series or Y-series groups may not require a destination (“To”)symbol, however it is required to specify “<no transfer>” in the “To” column for such cases.
- RCL is not needed for finalisation projects.

CPC NOTICE OF CHANGES 1304

DATE: MAY 1, 2022

PROJECT RP10402

4. CHANGES TO THE CPC-TO-IPC CONCORDANCE LIST (CICL)

<u>CPC</u>	<u>IPC</u>	<u>Action*</u>
B60Q 1/0495	B60Q 1/04	NEW
B60Q 1/247	B60Q 1/24	NEW
B60Q 1/249	B60Q 1/24	NEW
B60Q 1/301	B60Q 1/30	NEW
B60Q 1/3015	B60Q 1/30	NEW
B60Q 1/303	B60Q 1/30	NEW
B60Q 1/304	B60Q 1/30	NEW
B60Q 1/324	B60Q 1/32	NEW
B60Q 1/325	B60Q 1/32	NEW
B60Q 1/381	B60Q 1/38	NEW
B60Q 1/5035	B60Q 1/50	NEW
B60Q 1/5037	B60Q 1/50	NEW
B60Q 1/507	B60Q 1/50	NEW
B60Q 1/508	B60Q 1/50	NEW
B60Q 1/509	B60Q 1/50	NEW
B60Q 1/525	B60Q 1/50	UPDATE
B60Q 1/535	B60Q 1/50	NEW
B60Q 1/543	B60Q 1/50	NEW
B60Q 1/544	B60Q 1/50	NEW
B60Q 1/545	B60Q 1/50	NEW
B60Q 1/547	B60Q 1/50	NEW
B60Q 1/549	B60Q 1/50	NEW
B60Q 3/229	B60Q 3/225	NEW
B60Q 3/731	B60Q 3/70	NEW
B60Q 3/735	B60Q 3/70	NEW
B60Q 2500/10		DELETE
B60Q 2500/30	CPCONLY	NEW
B60Q 2800/00	CPCONLY	NEW
B60Q 2800/10	CPCONLY	NEW
B60Q 2800/20	CPCONLY	NEW
B60Q 2800/30	CPCONLY	NEW
B60Q 2900/40	CPCONLY	NEW
B60Q 2900/50	CPCONLY	NEW

*Action column:

- For an (N) or (Q) entry, provide an IPC symbol and complete the Action column with “NEW.”
- For an existing CPC main trunk entry or indexing entry where the existing IPC symbol needs to be changed, provide an updated IPC symbol and complete the Action column with “UPDATED.”
- For a (D) CPC entry or indexing entry complete the Action column with “DELETE.” IPC symbol does not need to be included in the IPC column.
- For an (N) 2000 series CPC entry which is positioned within the main trunk scheme (breakdown code) provide an IPC symbol and complete the action column with “NEW”.

CPC NOTICE OF CHANGES 1304

DATE: MAY 1, 2022

PROJECT RP10402

- For an (N) 2000 series CPC entry positioned at the end of the CPC scheme (orthogonal code), with no IPC equivalent, complete the IPC column with “CPCONLY” and complete the action column with “NEW”.

NOTES:

- F symbols are not included in the CICL table above.
- T and M symbols are not included in the CICL table above unless a change to the existing IPC is desired.

CPC NOTICE OF CHANGES 1304

DATE: MAY 1, 2022

PROJECT RP10402

5. CROSS-REFERENCE LIST (CRL)

Scheme references impacted by this revision project

<u>Location of reference to be changed</u>	<u>Referenced subclass or group to be changed</u>	<u>Action; New reference symbol; New text</u>
F21S 8/003	B60Q 1/24	<u>Replace</u> with B60Q 1/245

Definitions references impacted by this revision project

<u>Location of reference to be changed</u>	<u>Referenced subclass or group to be changed</u>	<u>Section of definition</u>	<u>Action; New reference symbol; New text</u>
F21S 8/003	Limiting references	B60Q 1/24	<u>Replace</u> with B60Q 1/245

NOTES:

- The CRL tables above are used for changes to locations **outside** of the project scope. Changes to references in scheme titles or definitions **inside** the project scope will be reflected in the “scheme change” template or one of the “definition” templates.
- In addition to other changes proposed in the tables above, in the column titled “Referenced subclass or group to be changed,” **referenced** D symbols should indicate an action of “delete” or should indicate a replacement symbol and **referenced** F symbols should indicate a replacement symbol.
- When a reference is deleted, text related to that reference will also be deleted unless other references or a range of references associated with the same text remain.