

EUROPEAN PATENT OFFICE  
U.S. PATENT AND TRADEMARK OFFICE

CPC NOTICE OF CHANGES 1396

DATE: FEBRUARY 1, 2023

PROJECT MP11921

**The following classification changes will be effected by this Notice of Changes :**

<b><u>Action</u></b>	<b><u>Subclass</u></b>	<b><u>Group(s)</u></b>
<b>SCHEME:</b>		
Titles Changed:	A41B	3/10
	A41B	5/00
	A41B	9/00, 9/04, 9/16
	A41B	11/12
	A41B	13/00
	A41F	1/00
	A41G	1/00
	A41G	9/00
	A41H	Subclass
	A41H	1/00, 1/06
	A41H	3/00, 3/02
	A41H	5/00
	A41H	9/00
	A41H	23/00
	A41H	25/00
	A41H	33/00
	A41H	37/00
	A41H	41/00
	A41H	42/00
	A41H	43/02, 43/04
Warnings New:	A41C	Subclass
Warning Modified:	A41B	Subclass
	A41D	Subclass
	A41F	Subclass
	A41G	Subclass
	A41H	Subclass
<b>DEFINITIONS:</b>		
Definitions New:	A41B	3/10
	A41H	3/00, 3/02
	A41H	9/00
	A41H	23/00

CPC NOTICE OF CHANGES 1396

DATE: FEBRUARY 1, 2023

PROJECT MP11921

	A41H	25/00
	A41H	33/00
	A41H	37/00
Definitions Modified:	A41B	1/02, 1/04, 1/10, 1/12
	A41B	3/00, 3/04, 3/12, 3/18
	A41B	5/00
	A41B	9/00, 9/02, 9/04, 9/08, 9/12, 9/14, 9/16
	A41B	11/08, 11/10, 11/12, 11/14
	A41B	13/00, 13/04, 13/06, 13/10
	A41B	15/00
	A41D	27/16
	A41F	1/00
	A41F	5/00
	A41F	9/00
	A41F	17/02
	A41F	19/00
	A41G	1/00, 1/04
	A41G	3/00
	A41G	5/00
	A41G	7/00
	A41G	9/00
	A41G	11/00
	A41H	Subclass
	A41H	1/00, 1/06
	A41H	5/00
	A41H	17/00
	A41H	37/06, 37/10
	A41H	41/00
	A41H	42/00
	A41H	43/00, 43/02, 43/04

**No other subclasses/groups are impacted by this Notice of Changes.**

**This Notice of Changes includes the following [Check the ones included]:**

CPC NOTICE OF CHANGES 1396

DATE: FEBRUARY 1, 2023

PROJECT MP11921

1. CLASSIFICATION SCHEME CHANGES

- A. New, Modified or Deleted Group(s)
- B. New, Modified or Deleted Warning(s)
- C. New, Modified or Deleted Note(s)
- D. New, Modified or Deleted Guidance Heading(s)

2. DEFINITIONS

- A. New or Modified Definitions (Full definition template)
- B. Modified or Deleted Definitions (Definitions Quick Fix)

3.  REVISION CONCORDANCE LIST (RCL)

4.  CHANGES TO THE CPC-TO-IPC CONCORDANCE LIST (CICL)

5.  CHANGES TO THE CROSS-REFERENCE LIST (CRL)

CPC NOTICE OF CHANGES 1396

DATE: FEBRUARY 1, 2023

PROJECT MP11921

1. CLASSIFICATION SCHEME CHANGES

A. New, Modified or Deleted Group(s)

**SUBCLASS A41B - SHIRTS; UNDERWEAR; BABY LINEN; HANDKERCHIEFS**

<u>Type*</u>	<u>Symbol</u>	<u>Indent Level</u> <u>Number of</u> <u>dots (e.g. 0, 1,</u> <u>2)</u>	<u>Title</u> <u>“CPC only” text should normally</u> <u>be</u> <u>enclosed in {curly brackets}**</u>	<u>Transferred to#</u>
U	A41B1/10	2	Closures (buttons A44B1/00; sleeve links A44B5/00)	
U	A41B3/00	0	Collars (A41B1/00 takes precedence)	
U	A41B3/04	1	fastening to shirts (collar-studs A44B3/00)	
M	A41B3/10	1	chemically stiffened	
M	A41B5/00	0	Fold-line formings for collars or cuffs	
M	A41B9/00	0	Undergarments (corsets A41C1/00; brassières A41C3/00)	
M	A41B9/04	1	Knickers for ladies, with or without inserted crotch or seat parts	
U	A41B9/08	1	Combined undergarments (panti-hose, body-stockings A41B11/14)	
U	A41B9/12	1	Protective undergarments (combined with swabs or absorbent pads or specially adapted for supporting them A61F13/15)	
M	A41B9/16	1	Shoulder-straps forming part of the undergarments	
U	A41B11/10	1	Stocking protectors (to be put in footwear A43B23/28)	
M	A41B11/12	1	Means at the upper end to keep the stockings up (A41B11/04 takes precedence; stocking suspenders A41F11/00)	
M	A41B13/00	0	Baby linen ({patients' garments specially adapted for babies A41D13/1272;} babies' napkins or holders therefor A61F13/15)	

CPC NOTICE OF CHANGES 1396

DATE: FEBRUARY 1, 2023

PROJECT MP11921

U	A41B13/04	1	Babies' pants (combined with swabs or absorbent pads or specially adapted for supporting them A61F13/15)	
---	-----------	---	--	--

**SUBCLASS A41F - GARMENT FASTENINGS; SUSPENDERS**

<u>Type*</u>	<u>Symbol</u>	<u>Indent Level</u> <u>Number of</u> <u>dots (e.g. 0, 1,</u> <u>2)</u>	<u>Title</u> <u>“CPC only” text should normally</u> <u>be</u> <u>enclosed in {curly brackets}**</u>	<u>Transferred to#</u>
M	A41F1/00	0	Fastening devices specially adapted for garments {(for pairing socks A41B11/002; for fur garments A41D5/006)}	

**SUBCLASS A41G - ARTIFICIAL FLOWERS; WIGS; MASKS; FEATHERS**

<u>Type*</u>	<u>Symbol</u>	<u>Indent Level</u> <u>Number of</u> <u>dots (e.g. 0, 1,</u> <u>2)</u>	<u>Title</u> <u>“CPC only” text should normally</u> <u>be</u> <u>enclosed in {curly brackets}**</u>	<u>Transferred to#</u>
M	A41G1/00	0	Artificial flowers, fruit, leaves, or trees (artificial Christmas trees A47G33/06); Garlands	
U	A41G3/00	0	Wigs (for dolls only A63H3/44)	
M	A41G9/00	0	Adornments of natural feathers; Working natural feathers (treatment of bed feathers B68G3/00)	

**SUBCLASS A41H - APPLIANCES OR METHODS FOR MAKING CLOTHES, e.g. FOR DRESS-MAKING OR FOR TAILORING, NOT OTHERWISE PROVIDED FOR**

<u>Type*</u>	<u>Symbol</u>	<u>Indent Level</u> <u>Number of</u> <u>dots (e.g. 0, 1,</u> <u>2)</u>	<u>Title</u> <u>“CPC only” text should normally</u> <u>be</u> <u>enclosed in {curly brackets}**</u>	<u>Transferred to#</u>
M	A41H	Subclass	APPLIANCES OR METHODS FOR MAKING CLOTHES, e.g. FOR DRESS-MAKING OR FOR	

## CPC NOTICE OF CHANGES 1396

DATE: FEBRUARY 1, 2023

PROJECT MP11921

			TAILORING, NOT OTHERWISE PROVIDED FOR	
M	A41H1/00	0	Measuring aids or methods	
M	A41H1/06	1	in combination with marking	
M	A41H3/00	0	Patterns for cutting-out; Methods of drafting or marking-out such patterns, e.g. on the cloth	
M	A41H3/02	1	Making patterns by copying	
M	A41H5/00	0	Dress forms; Bust forms; Stands	
M	A41H9/00	0	Devices or methods for trimming, levelling or straightening the hems of garments	
U	A41H17/00	0	Cushions for needles or pins (A41H19/00 takes precedence)	
M	A41H23/00	0	Devices for applying chalk; Sharpening or holding chalk	
M	A41H25/00	0	Appliances or methods for marking-out, perforating or making buttonholes	
M	A41H33/00	0	Machines or appliances for folding the edges of collars, cuffs or the like while manufacturing	
M	A41H37/00	0	Machines, appliances or methods for setting fastener-elements on garments	
M	A41H41/00	0	Machines or appliances for making garments from natural or artificial fur	
M	A41H42/00	0	Multi-step production lines for making clothes	
M	A41H43/02	1	Handling garment parts or blanks, e.g. feeding, piling, separating or reversing	
M	A41H43/04	1	Joining garment parts or blanks by gluing or welding (mending garments by adhesives or adhesive patches A41H27/00) {; Gluing presses }	

## CPC NOTICE OF CHANGES 1396

DATE: FEBRUARY 1, 2023

### PROJECT MP11921

\*N = new entries where reclassification into entries is involved; C = entries with modified file scope where reclassification of documents from the entries is involved; Q = new entries which are firstly populated with documents via administrative transfers from deleted (D) entries. Afterwards, the transferred documents into the Q entry will either stay or be moved to more appropriate entries, as determined by intellectual reclassification; T = existing entries with enlarged file scope, which receive documents from C or D entries, e.g. when a limiting reference is removed from the entry title; M = entries with no change to the file scope (no reclassification); D = deleted entries; F = frozen entries will be deleted once reclassification of documents from the entries is completed; U = entries that are unchanged.

#### NOTES:

- \*\*No {curly brackets} are used for titles in CPC only subclasses, e.g. C12Y, A23Y; 2000 series symbol titles of groups found at the end of schemes (orthogonal codes); or the Y section titles. The {curly brackets} are used for 2000 series symbol titles found interspersed throughout the main trunk schemes (breakdown codes).
- U groups: it is obligatory to display the required “anchor” symbol (U group), i.e. the entry immediately preceding a new group or an array of new groups to be created (in case new groups are not clearly subgroups of C-type groups). Always include the symbol, indent level and title of the U group in the table above.
- All entry types should be included in the scheme changes table above for better understanding of the overall scheme change picture. Symbol, indent level, and title are required for all types.
- “Transferred to” column must be completed for all C, D, F, and Q type entries. F groups will be deleted once reclassification is completed.
- When multiple symbols are included in the “Transferred to” column, avoid using ranges of symbols in order to be as precise as possible.
- For administrative transfer of documents, the following text should be used: “<administrative transfer to XX>”, “<administrative transfer to XX and YY simultaneously>”, or “<administrative transfer to XX, YY, ...and ZZ simultaneously>” when administrative transfer of the same documents is to more than one place.
- Administrative transfer to main trunk groups is assumed to be the source allocation type, unless otherwise indicated.
- Administrative transfer to 2000/Y series groups is assumed to be “additional information”.
- If needed, instructions for allocation type should be indicated within the angle brackets using the abbreviations “ADD” or “INV”: <administrative transfer to XX ADD> , <administrative transfer to XX INV>, or <administrative transfer to XX ADD, YY INV, ... and ZZ ADD simultaneously>.
- In certain situations, the “D” entries of 2000-series or Y-series groups may not require a destination (“Transferred to”) symbol, however it is required to specify “<no transfer>” in the “Transferred to” column for such cases.
- For finalization projects, the deleted “F” symbols should have <no transfer> in the “Transferred to” column.
- For more details about the types of scheme change, see CPC Guide.

DATE: FEBRUARY 1, 2023

PROJECT MP11921

B. New, Modified or Deleted Warning(s)**SUBCLASS A41B - SHIRTS; UNDERWEAR; BABY LINEN; HANDKERCHIEFS**

<u>Type*</u>	<u>Location</u>	<u>Old Warning</u>	<u>New/Modified Warning</u>
M	A41B	In this subclass non-limiting references (in the sense of paragraph 39 of the Guide to the IPC) may still be displayed in the scheme.	{ In this subclass, non-limiting references (in the sense of paragraph 39 of the Guide to the IPC) may still be displayed in the scheme. }

**SUBCLASS A41C - CORSETS; BRASSIÈRES**

<u>Type*</u>	<u>Location</u>	<u>Old Warning</u>	<u>New/Modified Warning</u>
N	A41C		{ In this subclass, non-limiting references (in the sense of paragraph 39 of the Guide to the IPC) may still be displayed in the scheme. }

**SUBCLASS A41D - OUTERWEAR; PROTECTIVE GARMENTS; ACCESSORIES**

<u>Type*</u>	<u>Location</u>	<u>Old Warning</u>	<u>New/Modified Warning</u>
M	A41D	In this subclass non-limiting references (in the sense of paragraph 39 of the Guide to the IPC) may still be displayed in the scheme.	{ In this subclass, non-limiting references (in the sense of paragraph 39 of the Guide to the IPC) may still be displayed in the scheme. }



CPC NOTICE OF CHANGES 1396

DATE: FEBRUARY 1, 2023

PROJECT MP11921

**SUBCLASS A41F- GARMENT FASTENINGS; SUSPENDERS**

<u>Type*</u>	<u>Location</u>	<u>Old Warning</u>	<u>New/Modified Warning</u>
M	A41F	In this subclass non-limiting references (in the sense of paragraph 39 of the Guide to the IPC) may still be displayed in the scheme.	{ In this subclass, non-limiting references (in the sense of paragraph 39 of the Guide to the IPC) may still be displayed in the scheme. }

**SUBCLASS A41G- ARTIFICIAL FLOWERS; WIGS; MASKS; FEATHERS**

<u>Type*</u>	<u>Location</u>	<u>Old Warning</u>	<u>New/Modified Warning</u>
M	A41G	In this subclass non-limiting references (in the sense of paragraph 39 of the Guide to the IPC) may still be displayed in the scheme.	{ In this subclass, non-limiting references (in the sense of paragraph 39 of the Guide to the IPC) may still be displayed in the scheme. }

**SUBCLASS A41H- APPLIANCES OR METHODS FOR MAKING CLOTHES, e.g. FOR DRESS-MAKING OR FOR TAILORING, NOT OTHERWISE PROVIDED FOR**

<u>Type*</u>	<u>Location</u>	<u>Old Warning</u>	<u>New/Modified Warning</u>
M	A41H	In this subclass non-limiting references (in the sense of paragraph 39 of the Guide to the IPC) may still be displayed in the scheme.	{ In this subclass, non-limiting references (in the sense of paragraph 39 of the Guide to the IPC) may still be displayed in the scheme. }

\*N = new warning, M = modified warning, D = deleted warning

NOTE: The “Location” column only requires the symbol PRIOR to the location of the warning. No further directions such as “before” or “after” are required.

## 2. A. DEFINITIONS (new)

Insert: The following new Definitions.

### A41B 3/10

#### References

#### Informative references

*Attention is drawn to the following places, which may be of interest for search:*

Processes for stiffening	D06
--------------------------	-----

### A41H 3/00

#### References

#### Informative references

*Attention is drawn to the following places, which may be of interest for search:*

Woven fabrics characterised by the special disposition of the warp or weft threads	D03D 13/00
--	------------

### A41H 3/02

#### References

#### Informative references

*Attention is drawn to the following places, which may be of interest for search:*

Tracing-wheels	A41H 11/00
----------------	------------

DATE: FEBRUARY 1, 2023

PROJECT MP11921

**A41H 9/00**

**References**

**References out of a residual place**

*Examples of places in relation to which this place is residual:*

On sewing machines	D05B
--------------------	------

**A41H 23/00**

**References**

**Informative references**

*Attention is drawn to the following places, which may be of interest for search:*

Writing or drawing implements	B43K
Articles for writing or drawing upon; Accessories for writing or drawing	B43L

**A41H 25/00**

**References**

**References out of a residual place:**

*Examples of places in relation to which this place is residual:*

By sewing	D05B
-----------	------

DATE: FEBRUARY 1, 2023

PROJECT MP11921

**A41H 33/00**

**References**

**Informative references**

*Attention is drawn to the following places, which may be of interest for search:*

Turning inside-out only	D06G 3/00
-------------------------	-----------

**A41H 37/00**

**References**

**References out of a residual place**

*Examples of places in relation to which this place is residual:*

For shoes	A43D 100/00
By sewing	D05B

## 2. A. DEFINITIONS (modified)

### A41B 1/02

#### References

Delete: The entire Limiting references section.

Insert: The following new Informative references section.

#### Informative references

*Attention is drawn to the following places, which may be of interest for search:*

Details of shirt fronts or front inserts	<a href="#">A41B1/18</a>
--	--------------------------

Replace: The existing Special rules of classification text with the following updated text.

#### Special rules of classification

Details of shirt-fronts, i.e. fastening of front inserts, are classified in [A41B1/18](#).

Shirts with front inserts, i.e. where the shirt is relevant, are classified in [A41B1/02](#).

### A41B 1/04

#### References

Delete: The entire Limiting references section.

DATE: FEBRUARY 1, 2023

PROJECT MP11921

Insert: The following new Informative references section.

**Informative references**

*Attention is drawn to the following places, which may be of interest for search:*

Trouser supports attached to the shirt, waistcoat	<a href="#">A41F5/00</a>
---	--------------------------

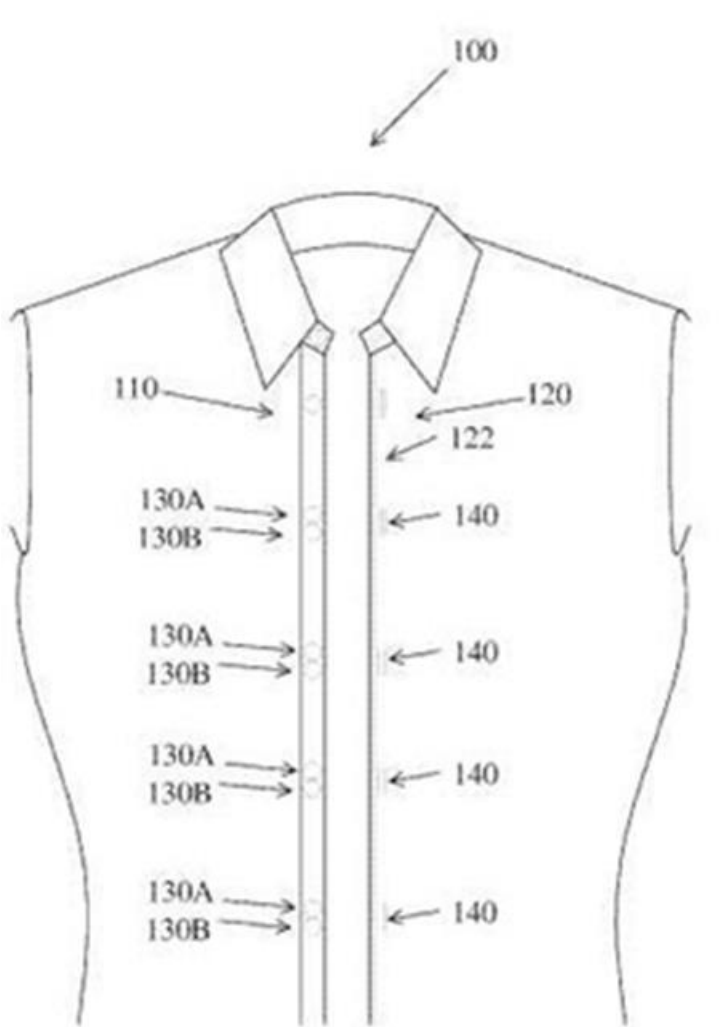
**A41B 1/10**

**Definition statement**

Replace: The existing Definition statement text and image with the following updated text and image.

Closures in shirts, not on collars or neckbands.

Illustrative example of subject matter classified in this group showing a dress shirt with switchable buttons.



**References**

Replace: The existing Limiting references table with the following updated table.

**Limiting references**

*This place does not cover:*

Buttons	<a href="#">A44B 1/00</a>
Sleeve links	<a href="#">A44B 5/00</a>

DATE: FEBRUARY 1, 2023

PROJECT MP11921

Insert: The following new Informative references section.

**Informative references**

*Attention is drawn to the following places, which may be of interest for search:*

Closures for collars or neckbands	<a href="#">A41B 3/02</a>
-----------------------------------	---------------------------

Delete: The entire Special rules of classification section.

**A41B 1/12**

**References**

Delete: The entire Limiting references section.

Insert: The following new Informative references section.

**Informative references**

*Attention is drawn to the following places, which may be of interest for search:*

Collars for shirts	<a href="#">A41B3/00</a>
Protectors for collars of outerwear	<a href="#">A41D27/16</a>
Cloth collars for outerwear	<a href="#">A41D27/18</a>



DATE: FEBRUARY 1, 2023

PROJECT MP11921

Replace: The existing Special rules of classification text with the following updated text.

**Special rules of classification**

Neckbands deal with the vertical part touching the neck and are classified in A41B1/12.

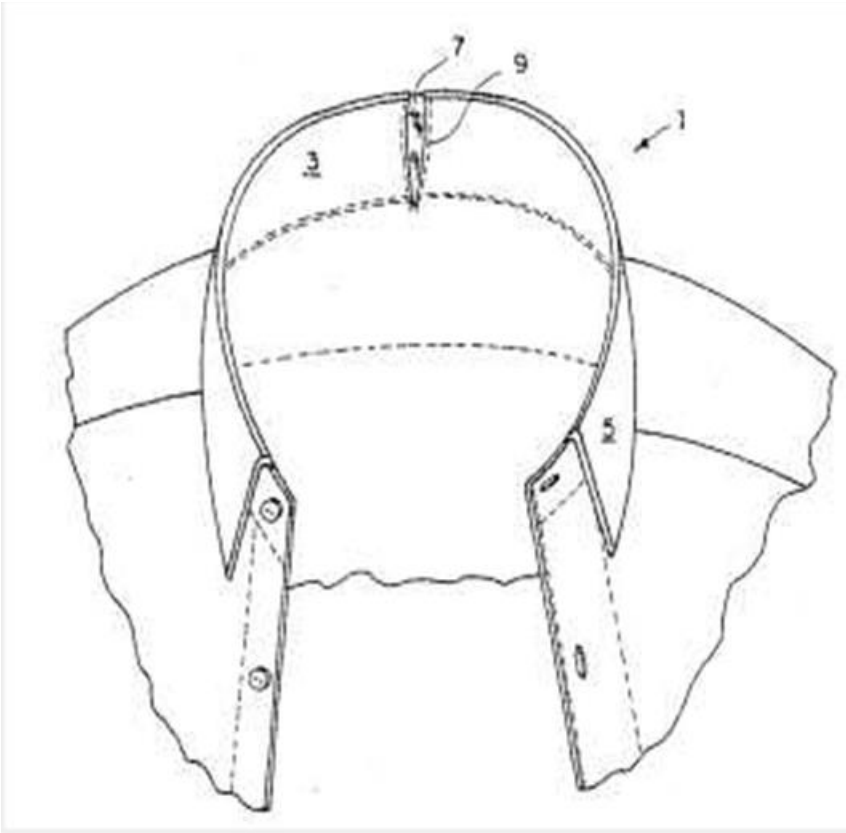
Collars deal with the folded part over the neckband and are classified in A41B3/00.

**A41B 3/00**

**Definition statement**

Replace: The existing Definition statement text and image with the following updated text and image.

Illustrative example of subject matter classified in this group showing an expandable shirt collar.



**References**

Replace: The existing Limiting references table with the following updated table.

**Limiting references**

*This place does not cover:*

Shirts	<a href="#">A41B1/00</a>
Shirt neckbands	<a href="#">A41B1/12</a>

DATE: FEBRUARY 1, 2023

PROJECT MP11921

Insert: The following new Informative references section.

**Informative references**

*Attention is drawn to the following places, which may be of interest for search:*

Cloth collars for outerwear	<a href="#">A41D27/18</a>
-----------------------------	---------------------------

Replace: The existing Special rules of classification text with the following updated text.

**Special rules of classification**

Vertical parts touching the neck are classified in [A41B 1/12](#).

Folded parts over the neckband are classified in [A41B 3/00](#).

**A41B 3/04**

**References**

Insert: The following new Limiting references section.

**Limiting references**

*This place does not cover:*

Collar-studs	<a href="#">A44B 3/00</a>
--------------	---------------------------

DATE: FEBRUARY 1, 2023

PROJECT MP11921

**A41B 3/12**

**References**

Delete: The entire Limiting references section.

Insert: The following new Informative references section.

**Informative references**

*Attention is drawn to the following places, which may be of interest for search:*

Neckties provided with holding devices	<a href="#">A41D25/003</a>
Neckties with ready-made knot with holding devices	<a href="#">A41D25/027</a>
Neckties with knot tied by the user attachable to collar	<a href="#">A41D25/12</a>

**A41B 3/18**

**Definition statement**

Replace: The existing Definition statement text with the following updated text.

Protectors for collars of shirts.

Illustrative example of subject matter classified in this group.

**References**

Delete: The entire Limiting references section.

DATE: FEBRUARY 1, 2023

PROJECT MP11921

Insert: The following new Informative references section.

**Informative references**

*Attention is drawn to the following places, which may be of interest for search:*

Protectors for collars of outerwear	<a href="#">A41D27/16</a>
-------------------------------------	---------------------------

Delete: The entire Special rules of classification section.

**A41B 5/00**

**References**

Insert: The following new Informative references section.

**Informative references**

*Attention is drawn to the following places, which may be of interest for search:*

Folding collar or cuff edges while manufacturing	<a href="#">A41H33/00</a>
--	---------------------------

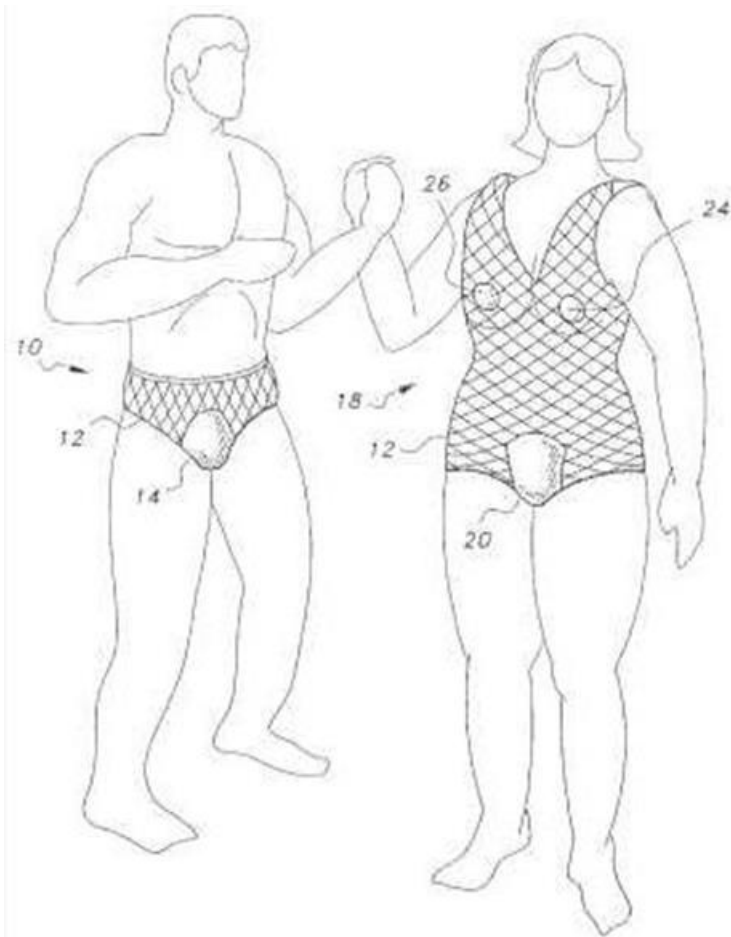
**A41B 9/00**

**Definition statement**

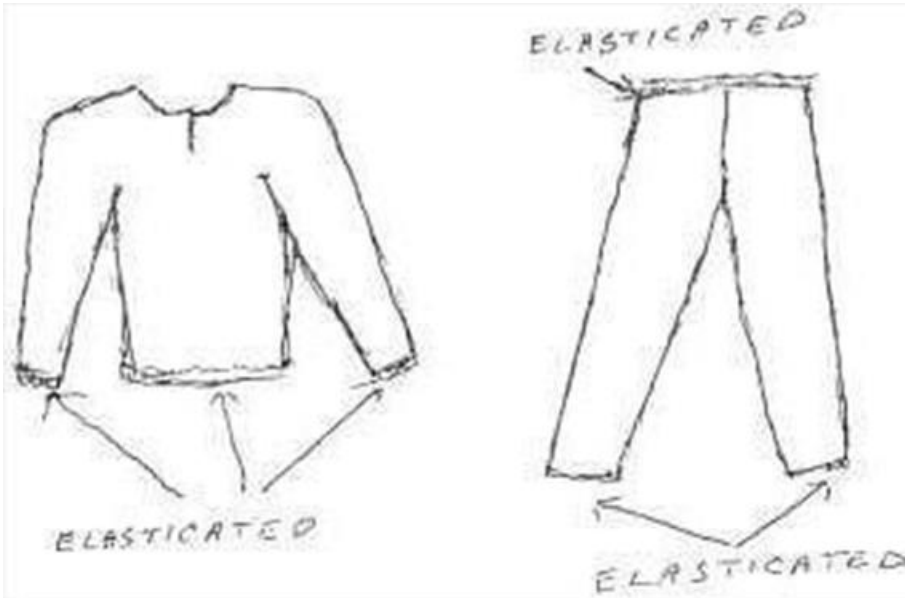
Replace: The existing Definition statement text and images with the following updated text and images.

Illustrative examples of subject matter classified in this group.

Illustrative example 1: Article of clothing providing increased air circulation



Illustrative example 2: Disposable thermal underwear



**References**

Replace: The existing Limiting references table with the following updated table.

**Limiting references**

*This place does not cover:*

Corsets	A41C 1/00
Brassières	A41C 3/00

Insert: The following new Informative references section.

DATE: FEBRUARY 1, 2023

PROJECT MP11921

**Informative references**

*Attention is drawn to the following places, which may be of interest for search:*

Selection of special materials for underwear	<a href="#">A41B 17/00</a>
Under-arm shields for outerwear and underwear, usually for absorbing sweat	<a href="#">A41D 27/13</a>

**A41B 9/02**

**References**

Delete: The entire Limiting references section.

Insert: The following new Informative references section.

**Informative references**

*Attention is drawn to the following places, which may be of interest for search:*

Incontinence pants	<a href="#">A61F5/44</a>
Absorbent pants	<a href="#">A61F13/496</a>

**A41B 9/04**

**References**

Delete: The entire Limiting references section.



DATE: FEBRUARY 1, 2023

PROJECT MP11921

Insert: The following new Informative references section.

**Informative references**

*Attention is drawn to the following places, which may be of interest for search:*

Menstrual panties	<a href="#">A61F13/496</a>
Garments adhered to body to support absorbent pads	<a href="#">A61F13/82</a>

**A41B 9/08**

**References**

Insert: The following new Limiting references section.

**Limiting references**

*This place does not cover:*

Panti-hose, body-stockings	<a href="#">A41B 11/14</a>
----------------------------	----------------------------

**A41B 9/12**

Replace: The existing Relationships text with the following updated text.

DATE: FEBRUARY 1, 2023

PROJECT MP11921

### Relationships with other classification places

Absorbent pads for external or internal application to the body and supporting or fastening means therefor are classified in [A61F 13/15](#).

Absorbent pads attaching to the body are classified in [A61F 13/82](#).

Additives (for odour) of absorbent pads are classified in [A61F 2013/8408](#).

Separate under-arm shields for underwear or outerwear, usually for absorbing sweat, are to be classified in group [A41D 27/13](#).

Underwear having shock protecting means are to be classified in group [A41B 9/12](#) and also in group [A41D 13/05](#); i.e. [A41D 13/0506](#) if protection is for the hip.

### References

#### Limiting references

Replace: The existing Limiting references table with the following updated table.

Protective undergarments combined with swabs or absorbent pads or specially adapted for supporting them	<a href="#">A61F 13/15</a>
---	----------------------------

#### Informative references

Delete: The following two references from the Informative references table.

Absorbent pads attaching to the body	<a href="#">A61F 13/82</a>
Additives (for odour) of absorbent pads	<a href="#">A61F 2013/8408</a>

DATE: FEBRUARY 1, 2023

PROJECT MP11921

**A41B 9/14**

**References**

Delete: The entire Limiting references section.

Insert: The following new Informative references section.

**Informative references**

*Attention is drawn to the following places, which may be of interest for search:*

Waistbands for trousers or skirts	<a href="#">A41F9/00</a>
-----------------------------------	--------------------------

**A41B 9/16**

**References**

Insert: The following new Informative references section.

**Informative references**

*Attention is drawn to the following places, which may be of interest for search:*

Shoulder-straps in general	<a href="#">A41F 15/00</a>
----------------------------	----------------------------

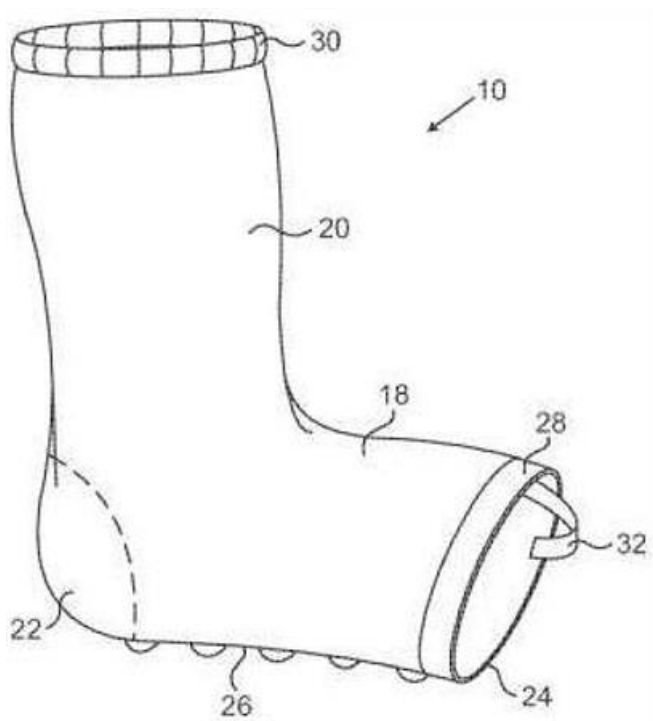
**A41B 11/08**

**Definition statement**

Replace: The existing Definition statement images and text with the following updated images and text.

Illustrative examples of subject matter classified in this group.

Illustrative example 1: Multipurpose open-toed stocking



DATE: FEBRUARY 1, 2023

PROJECT MP11921

Illustrative example 2: Improvements in or relating to socks or stockings



## References

Delete: The entire Limiting references section.

Insert: The following new Informative references section.

DATE: FEBRUARY 1, 2023

PROJECT MP11921

**Informative references**

*Attention is drawn to the following places, which may be of interest for search:*

Gaiters, spats	<a href="#">A41D17/00</a>
Overshoes	<a href="#">A43B3/16</a> , <a href="#">A43B5/18</a>
Hosiery with shin guards	<a href="#">A63B71/1225</a>

Replace: The existing Special rules of classification text with the following updated text.

**Special rules of classification**

Stockings without foot parts worn under garments or shoes are classified in [A41B1/08](#).

Gaiters/Spats worn over garments and/or shoes are classified in [A41D17/00](#).

Overshoes are classified in [A43B3/16](#), [A43B5/18](#).

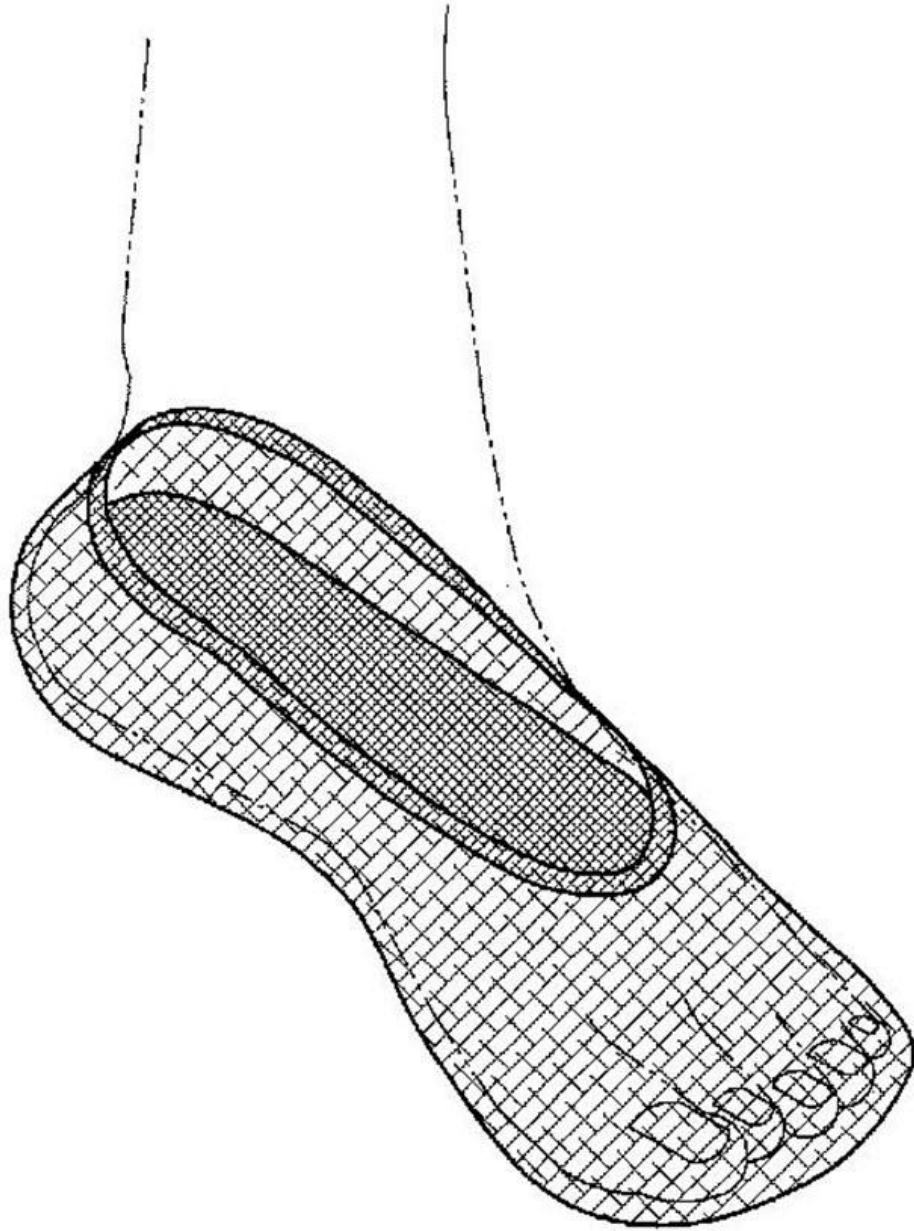
**A41B 11/10**

**Definition statement**

Replace: The existing Definition statement text and image with the following updated text and image.

Socks covering only foot parts, e.g. footies/shoe liners.

Illustrative example of subject matter classified in this group.



## References

Insert: The following new Limiting references section.

### Limiting references

*This place does not cover:*

Protectors to be put in footwear	<a href="#">A43B 23/28</a>
----------------------------------	----------------------------

Delete: The entire Special rules of classification section.

## A41B 11/12

### Definition statement

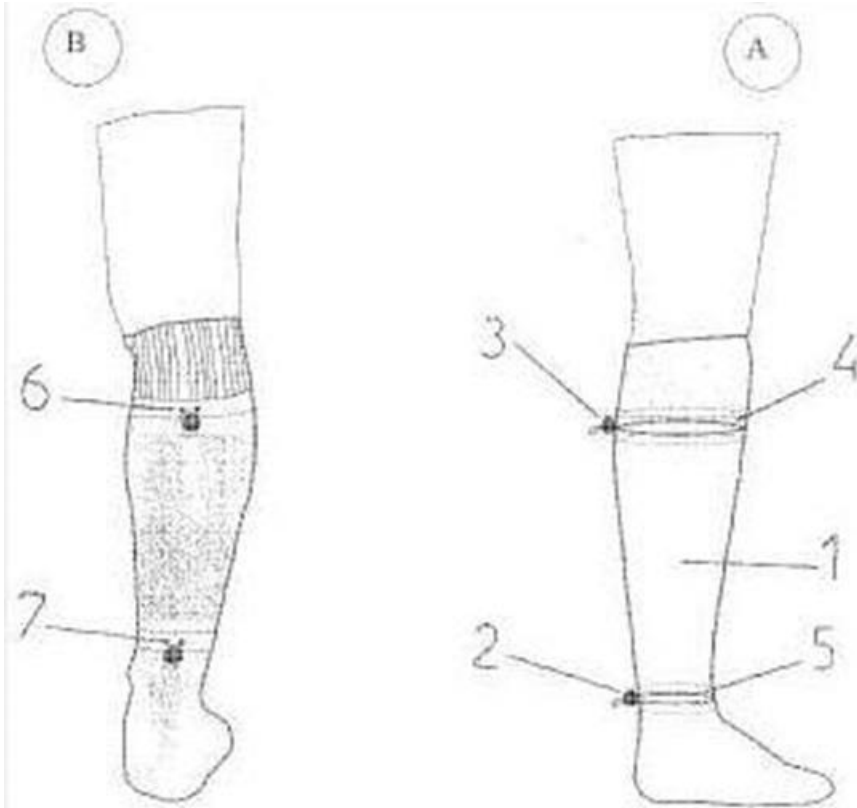
Replace: The existing Definition statement text and images with the following updated text and image.

Illustrative example of subject matter classified in this group shown as a sport sock for supporting football shin guards, the sock having two cords, fixed by cord stops, arranged in horizontal sleeves, one below the knee and another at the ankle, the cords exiting at the rear through eyelets.



DATE: FEBRUARY 1, 2023

PROJECT MP11921



**References**

Insert: The following new Limiting references section.

**Limiting references**

*This place does not cover:*

Reinforcements of the top of hosiery/stockings	<a href="#">A41B 11/04</a>
Stocking suspenders	<a href="#">A41F 11/00</a>

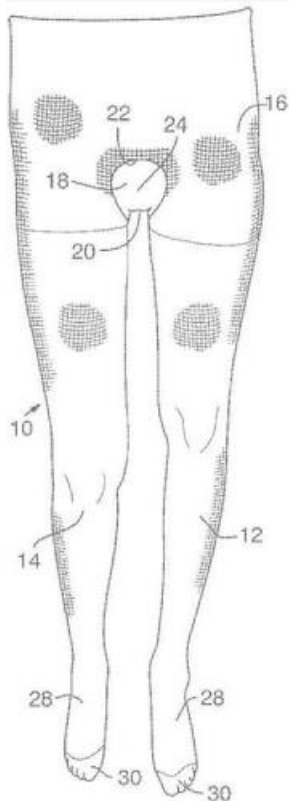
**A41B 11/14**

**Definition statement**

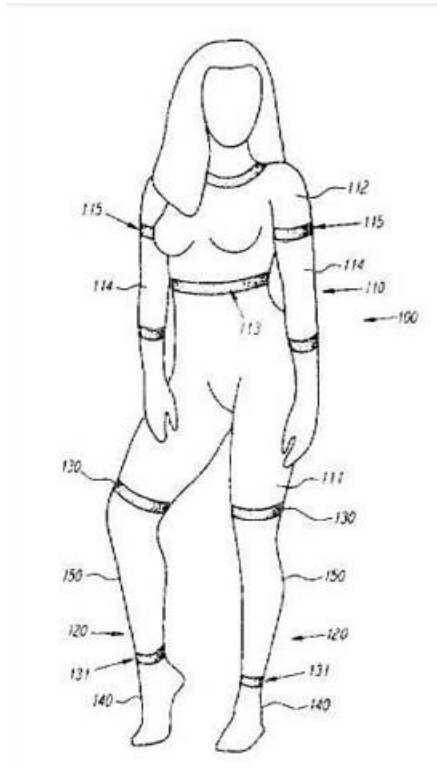
Replace: The existing Definition statement text and images with the following updated text and images.

Illustrative examples of subject matter classified in this group.

Illustrative example 1: Easy convenience anti-hose



Illustrative example 2: Detachable multisectional body stocking hosiery



Insert: The following new Relationships section.

**Relationships with other classification places**

Underwear panti-hose and underwear body stockings belong to [A41B11/14](#) and lower groups.

Sporting tights belong to [A41D1/08](#) and lower groups.

Professional or sportive protective overalls belong to [A41D13/02](#).

Sportive garments with embedded elastic bands but no compression belong to [A41D31/18](#).

Compression stockings belong to [A61F13/08](#).

## References

Delete: The entire Limiting references section.

Insert: The following new Informative references section.

### Informative references

*Attention is drawn to the following places, which may be of interest for search:*

Sportive tights	<a href="#">A41D1/08</a>
Professional or sportive protective overalls	<a href="#">A41D13/02</a>

Delete: The entire Special rules of classification section.

## A41B 13/00

### References

#### Limiting references

Delete: The following two rows from the Limiting references table.

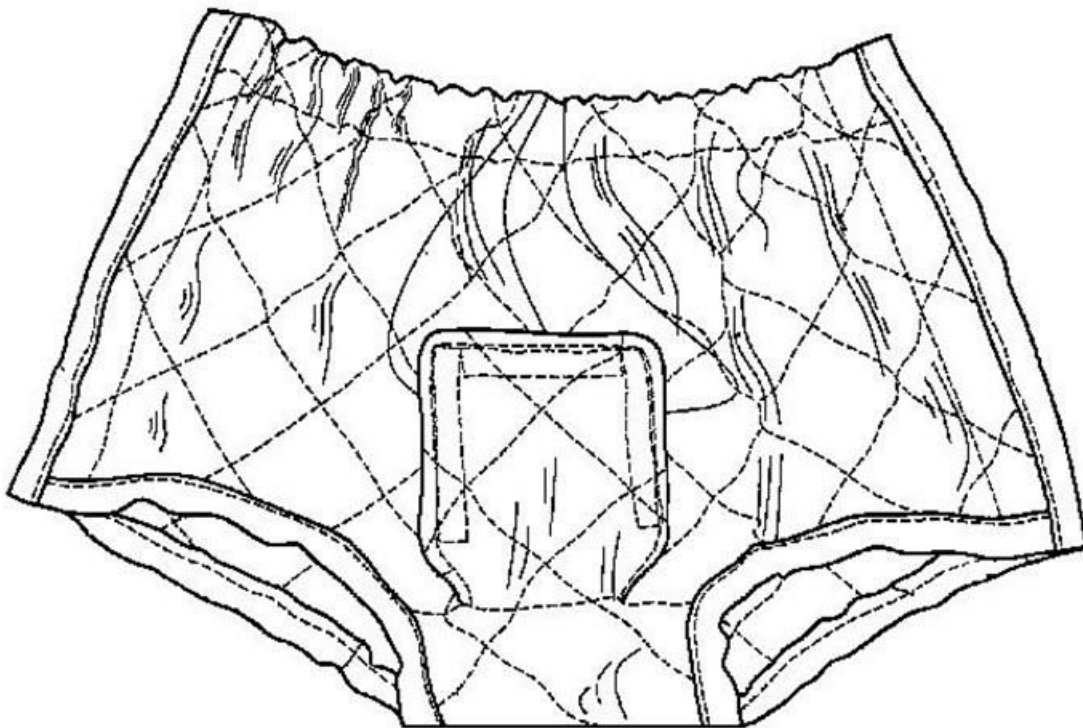
Nursery furniture, devices for guiding / supporting children	A47D 13/08
Devices for preventing children from falling out of bed, restraining devices	A47D 15/005

**A41B 13/04**

**Definition statement**

Replace: The existing image in the Definition statement with the following updated image.

Illustrative example of subject matter classified in this group.



DATE: FEBRUARY 1, 2023

PROJECT MP11921

**References**Insert: The following new Limiting references section.**Limiting references***This place does not cover:*

Baby's pants combined with swabs or absorbent pads or specially adapted for supporting them	<a href="#">A61F 13/15</a>
---	----------------------------

**A41B 13/06****References**Delete: The entire Limiting references section.Insert: The following new Informative references section.**Informative references***Attention is drawn to the following places, which may be of interest for search:*

Sleeping-bags with the shape of a garment used as pyjamas for adults	<a href="#">A41D10/00</a>
Blankets	<a href="#">A47G9/0223</a>
Travelling baby blanket	<a href="#">A47G9/068</a>
Sleeping bag	<a href="#">A47G9/08</a>

Delete: The entire Special rules of classification section.

DATE: FEBRUARY 1, 2023

PROJECT MP11921

## **A41B 13/10**

### **References**

Delete: The entire Limiting references section.

Insert: The following new Informative references section.

#### **Informative references**

*Attention is drawn to the following places, which may be of interest for search:*

Toilet/cosmetic protecting mantles, shoulder-shields, bibs (hairdresser)	<a href="#">A45D44/08</a>
Napkins attachable to clothing	<a href="#">A47G11/002</a>
Napkins with separate holding devices	<a href="#">A47G21/165</a>
Lap trays	<a href="#">A47G23/0608</a>
Surgical drapes	<a href="#">A61B46/00</a>

## **A41B 15/00**

### **Definition statement**

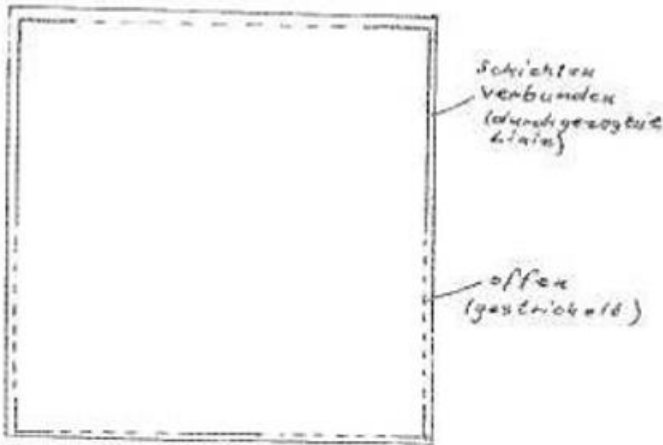
Replace: The existing Definition statement text and images with the following updated text and images.

Illustrative example of subject matter classified in this group.

DATE: FEBRUARY 1, 2023

PROJECT MP11921

Illustrative example 1: Handkerchief with improved hygiene, comprising two partially connected layers for filtering out virus-containing aerosols expelled during sneezing.



Illustrative example 2: Handkerchief with finger securing loop





DATE: FEBRUARY 1, 2023

PROJECT MP11921

## References

Delete: The entire Limiting references section.

Insert: The following new Informative references section.

### Informative references

*Attention is drawn to the following places, which may be of interest for search:*

Paper tissues	<a href="#">A47K10/16</a>
Cleaning or scouring pads, wipes containing detergent	<a href="#">C11D17/049</a>

Replace: In the second statement of the Special rules section, the term “class” with “classify”.

### Special rules of classification

For exterior protection on arm of clothing to use as handkerchief, classify in [A41D27/12](#) and [A41B15/00](#).

If it has the shape of an armband, classify additionally in [A41D20/00](#).

## [A41D 27/16](#)

### Definition statement

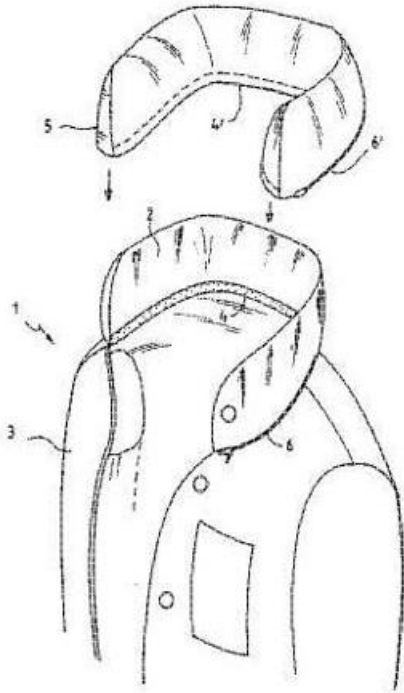
Replace: The existing Definition statement text and image with the following updated text and image.

Comprises protectors for collars of outerwear, not of shirts.

DATE: FEBRUARY 1, 2023

PROJECT MP11921

Illustrative example of subject matter classified in this group shown as an outdoor jacket having a detachable collar covering:



## References

Delete: The entire Limiting references section.

Insert: The following new Informative references section.

### Informative references

*Attention is drawn to the following places, which may be of interest for search:*

Protection of shirt collars	<a href="#">A41B3/18</a>
Protection of shirt cuffs	<a href="#">A41B7/12</a>

Replace: In both statements of the Special rules section, the term “class” with “classify”.

**Special rules of classification**

For protection of shirt collars, classify in [A41B3/18](#).

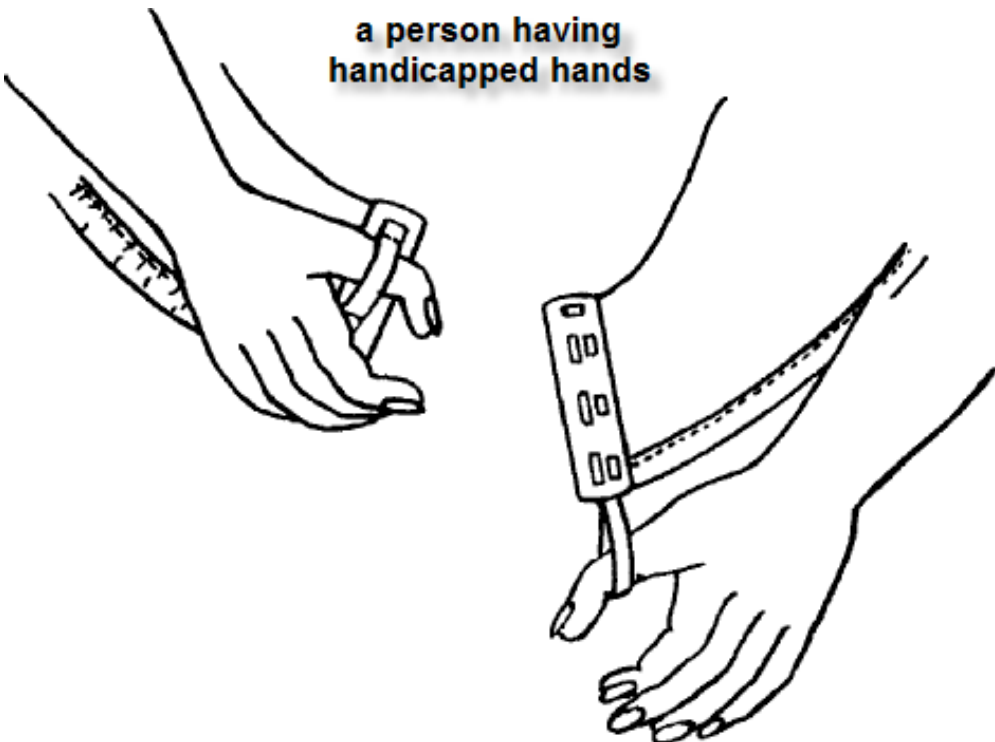
For protection of shirt cuffs, classify in [A41B7/12](#).

**A41F 1/00**

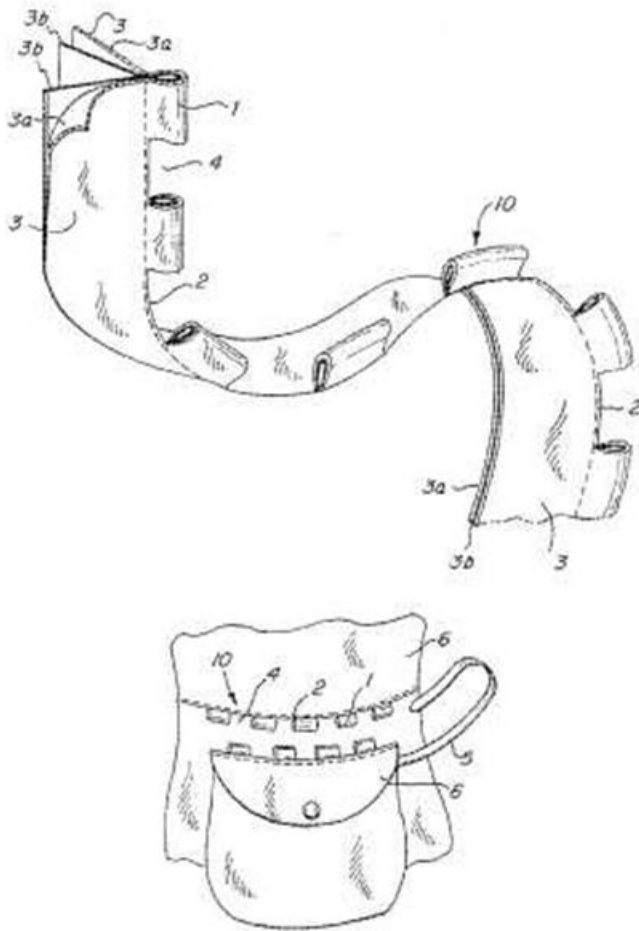
**Definition statement**

Replace: The existing Definition statement image and text with the following updated image and text.

Illustrative example of subject matter classified in this group.



Illustrative example 2: Flexible hinge connector



DATE: FEBRUARY 1, 2023

PROJECT MP11921

**References**Replace: The existing Limiting references table with the following updated table.**Limiting references***This place does not cover:*

For pairing socks	<a href="#">A41B 11/002</a>
For fur garments	<a href="#">A41D 5/006</a>

Insert: The following new Informative references section.**Informative references***Attention is drawn to the following places, which may be of interest for search:*

Fastening cuffs to shirts	<a href="#">A41B 7/04</a>
Fastening shirt cuffs to sleeves of jackets	<a href="#">A41B 7/06</a>
Fastening devices in general	<a href="#">A44B</a>
Straps, bands	<a href="#">A45C 13/30</a>
Carrying straps around neck	<a href="#">A45F 2003/002</a>
Carrying straps around waist	<a href="#">A45F 3/005</a>
Carrying straps	<a href="#">A45F 3/14</a>
Carriers for hand articles	<a href="#">A45F 5/00</a>
Fastening articles to the garment	<a href="#">A45F 5/02</a>
Carriers for holding garments	<a href="#">A45F 5/06</a>
Garment bags	<a href="#">A47G 25/54</a>
Orthopaedic slings, straps for holding arms	<a href="#">A61F 5/3746</a>

CPC NOTICE OF CHANGES 1396

DATE: FEBRUARY 1, 2023

PROJECT MP11921

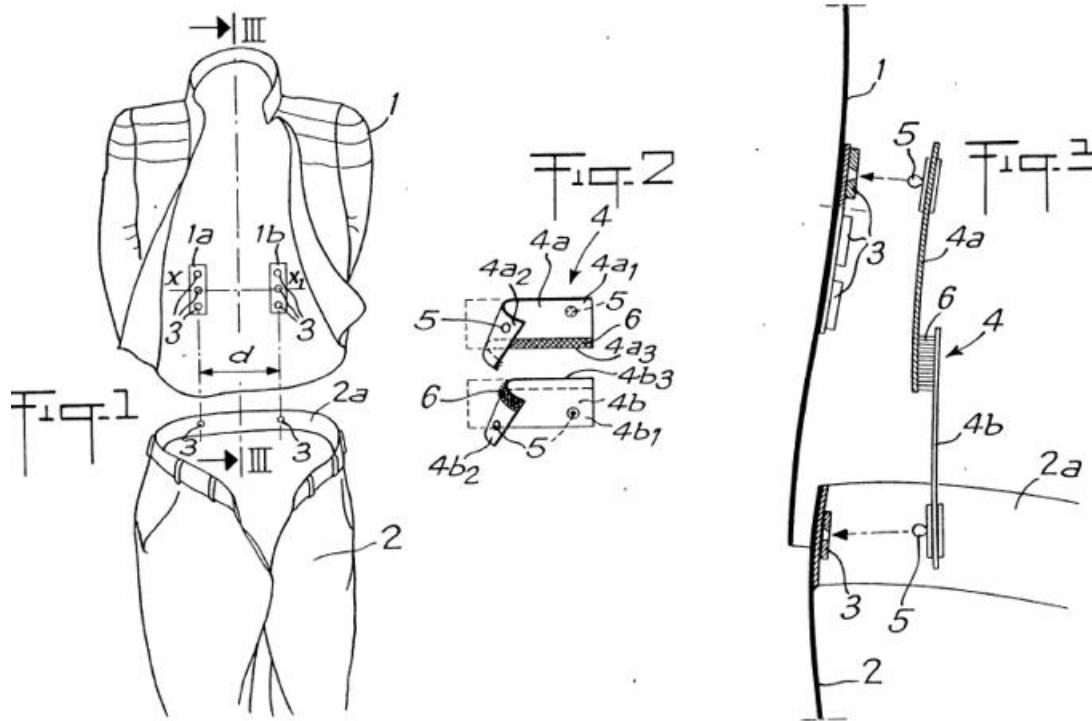
For babies' napkins	A61F 13/56
Packaging for clothing	B65D 85/18
Training garments for manipulating fasteners	G09B 25/00
Supports for musical instruments, straps	G10G 5/005

**A41F 5/00**

**Definition statement**

Replace: The existing image with the following updated image in the Definition statement.

Illustrative example of subject matter classified in this group.



**References**

Delete: The entire Limiting references section.

Insert: The following new Informative references section.

**Informative references**

*Attention is drawn to the following places, which may be of interest for search:*

Shirts exchangeably attached to underbodies, drawers	A41B1/06
--	----------

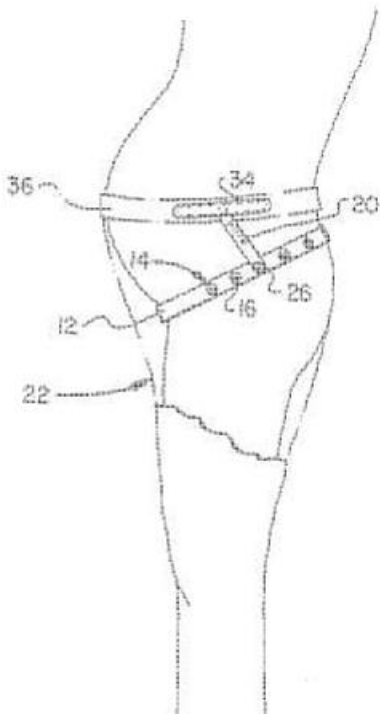
**A41F 9/00**

**Definition statement**

Replace: The existing Definition statement text and images with the following updated text and images.

Illustrative example of subject matter classified in this group.

Illustrative example 1: Trouser support system

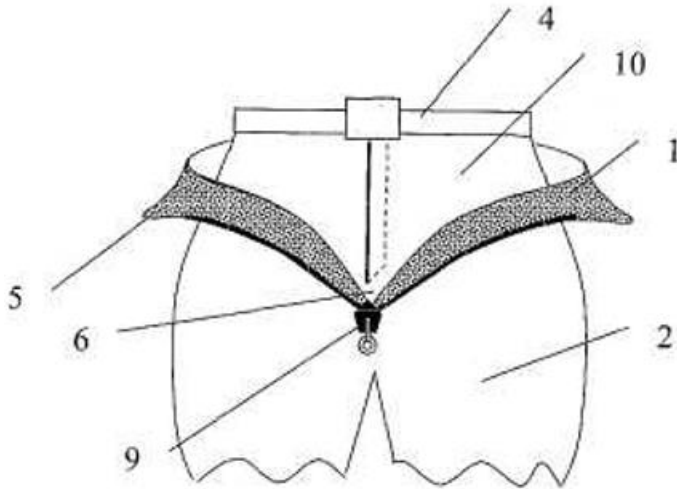


Illustrative example 2: Waist decorative cloth element



DATE: FEBRUARY 1, 2023

PROJECT MP11921



## References

Delete: The entire Limiting references section.

Insert: The following new Informative references section.

### Informative references

*Attention is drawn to the following places, which may be of interest for search:*

Garter belts for stockings	<a href="#">A41F11/00</a>
Waistbands forming part of undergarments	<a href="#">A41B9/14</a>

Replace: The term “class” with “classify” in each statement in the Special rules section.

### Special rules of classification

When girdle is used to support trouser or skirt, classify in [A41F9/00](#) and lower groups.

When girdle is used to shape body, classify in [A41C1/00](#) and lower groups.

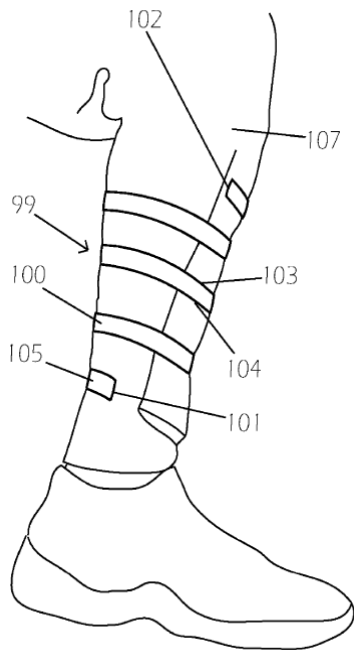
If girdle is further used to support stocking or socks, classify also in [A41F11/00](#).

## **A41F 17/02**

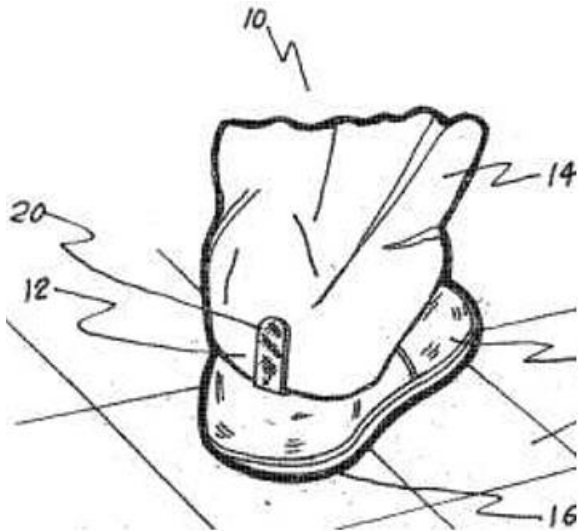
### **Definition statement**

Replace: The existing text and image with the following updated text and image. The first image in the section should remain as-is.

Illustrative examples of subject matter classified in this group:



Illustrative example 2: Pants cuff clip



## References

Delete: The entire Limiting references section.

Insert: The following new Informative references section.

### Informative references

*Attention is drawn to the following places, which may be of interest for search:*

Paper clips of flat sections	<a href="#">B42F1/06</a>
------------------------------	--------------------------

**A41F 19/00**

DATE: FEBRUARY 1, 2023

PROJECT MP11921

Insert: The following new Definition statement.

**Definition statement**

*This place covers:*

E.g., sleeves of long gloves fastening to biceps area.

**References**

Delete: The entire Limiting references section.

Insert: The following new Informative references section.

**Informative references**

*Attention is drawn to the following places, which may be of interest for search:*

Shirts exchangeably attached to underbodies, drawers	<a href="#">A41B1/06</a>
Fastening cuffs to shirts	<a href="#">A41B7/04</a>
Fastening shirt cuffs to sleeves of jackets	<a href="#">A41B7/06</a>

Delete: The entire Special rules of classification section.

DATE: FEBRUARY 1, 2023

PROJECT MP11921

**A41G 1/00**

**References**

Replace: The existing Limiting references table with the following updated table.

**Limiting references**

*This place does not cover:*

Artificial Christmas trees	<a href="#">A47G 33/06</a>
----------------------------	----------------------------

Insert: The following new Informative references section.

**Informative references**

*Attention is drawn to the following places, which may be of interest for search:*

Floral handling	<a href="#">A01G 5/06</a>
Christmas tree decorations	<a href="#">A47G 33/08</a>
Processes for producing ornamental bodies, natural ornaments and imitations	<a href="#">B44C 5/06</a>

Delete: The entire Special rules of classification section.

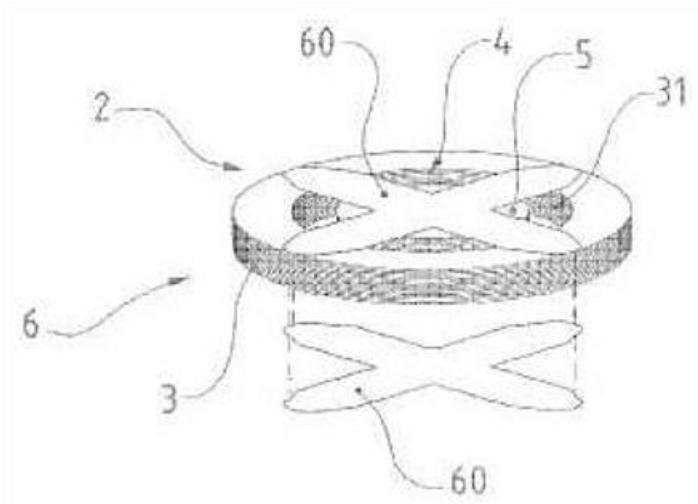
## A41G 1/04

### Definition statement

Replace: The existing Definition statement text and image with the following updated text and image.

Illustrative example of subject matter classified in this group.

Multicolour garland fabricating method for use in decoration field, involves taking garland in stack of sheet, taking another garland to ream another stack of sheet, and integrating ends of stacks to combine two garlands together.



### References

Delete: The entire Limiting references section.

Insert: The following new Informative references section.

DATE: FEBRUARY 1, 2023

PROJECT MP11921

**Informative references**

*Attention is drawn to the following places, which may be of interest for search:*

Floral handling	<a href="#">A01G5/06</a>
Decorative bow structures	<a href="#">D04D7/10</a>

Delete: The colon from the Glossary of terms section.

**Glossary of terms**

*In this place, the following terms or expressions are used with the meaning indicated:*

Garland	A wreath made of flowers, leaves, etc., worn on the head like a crown, or hung about an object for decoration.
---------	--

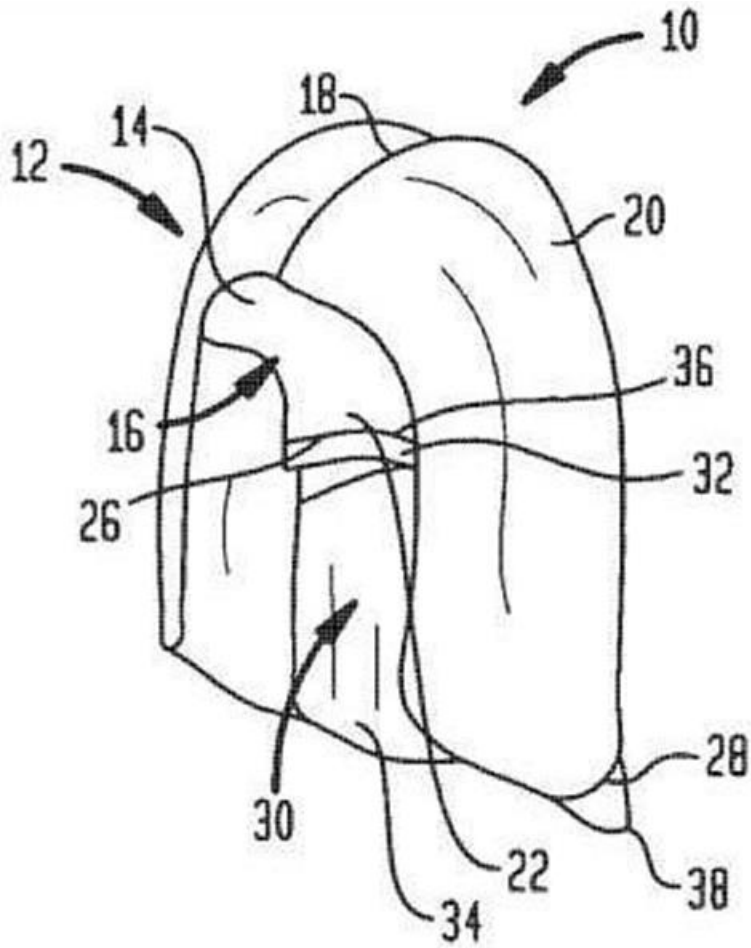
**A41G 3/00**

**Definition statement**

Replace: The existing Definition statement text and images with the following updated text and images.

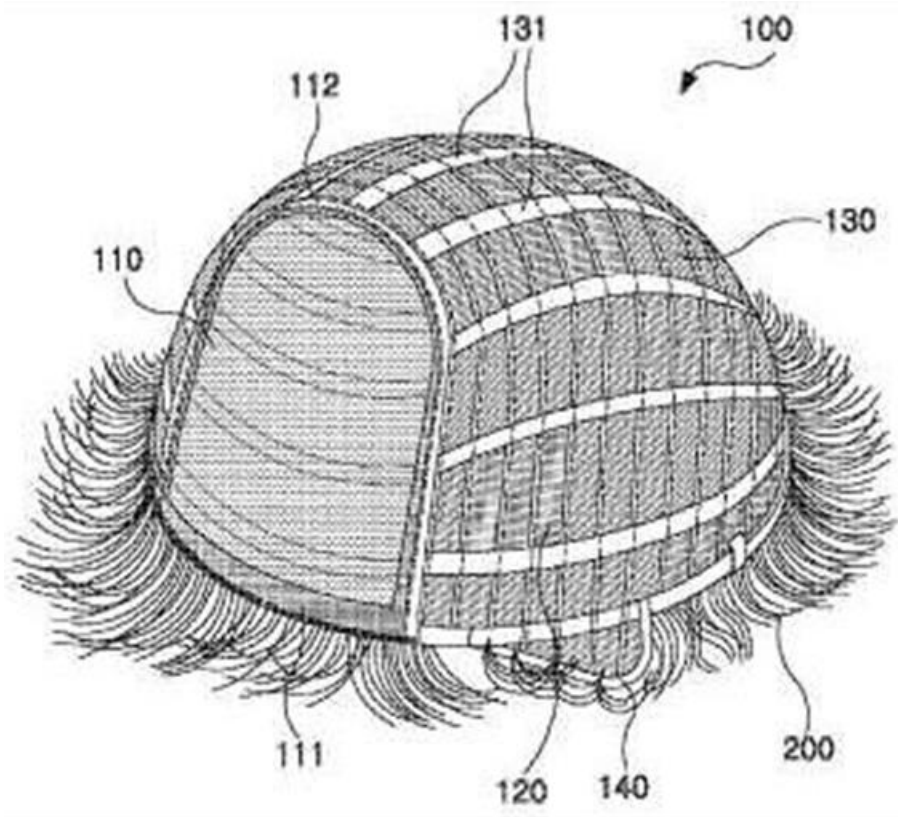
Illustrative example of subject matter classified in this group.

Illustrative example 1: Adjustable wig





Illustrative example 2: Wig comprising cap with nano-silver



## References

Insert: The following new Limiting references section.

### Limiting references

*This place does not cover:*

Wigs for dolls only	<a href="#">A63H 3/44</a>
---------------------	---------------------------

DATE: FEBRUARY 1, 2023

PROJECT MP11921

Replace: The existing Special rules of classification text with the following updated text.

**Special rules of classification**

Wigs covering complete hair area of head are classified in [A41G 3/00](#) and lower groups.

Hair pieces covering part of hair area of head (i.e. bald area) are classified in [A41G 5/00](#) and lower groups.

**A41G 5/00**

**References**

Delete: The entire Limiting references section.

Insert: The following new Informative references section.

**Informative references**

*Attention is drawn to the following places, which may be of interest for search:*

Hair fillers to simulate big hair volume when hair is up in a bun	<a href="#">A45D8/36</a>
---	--------------------------

Replace: The existing Special rules of classification text with the following updated text.

**Special rules of classification**

Wigs covering complete hair area of head, are classified in [A41G3/00](#) and lower groups.

Hair pieces covering part of hair area of head (i.e. bald area), are classified in [A41G5/00](#) and lower groups.

Hair pieces covering partial bald area are classified in [A41G5/0006](#).

**A41G 7/00**

**Definition statement**

Replace: The existing Definition statement text and image with the following updated text and image.

Illustrative example of subject matter classified in this group shown below is a decorative mask.



**References**

Delete: The entire Limiting references section.

Insert: The following new Informative references section.

**Informative references**

*Attention is drawn to the following places, which may be of interest for search:*

Costumes	<a href="#">A41D1/00</a>
Disguises for artists for life-like imitation of creatures	<a href="#">A63J7/005</a>

DATE: FEBRUARY 1, 2023

PROJECT MP11921

**A41G 9/00****References**

Replace: The existing Limiting references table with the following updated table.

**Limiting references**

*This place does not cover:*

Treatment of bed feathers	B68G 3/00
---------------------------	-----------

Insert: The following new Informative references section.

**Informative references**

*Attention is drawn to the following places, which may be of interest for search:*

Duvets	A47G 9/0207
Pillows	A47G 9/10
Loose filling materials for upholstery	B68G 1/00
Filling of cushions, mattresses	B68G 7/06
Non-woven fabrics formed by filamentary materials	D04H 3/02
Quilting and filling with feathers	D05B 11/005
Feather treatment in general	D06M, D06M 19/00

DATE: FEBRUARY 1, 2023

PROJECT MP11921

## A41G 11/00

### References

Delete: The entire Limiting references section.

Insert: The following new Informative references section.

### Informative references

*Attention is drawn to the following places, which may be of interest for search:*

Duvets	<a href="#">A47G9/0207</a>
Pillows	<a href="#">A47G9/10</a>
Loose filling materials for upholstery	<a href="#">B68G1/00</a>
Filling of cushions, mattresses	<a href="#">B68G7/06</a>
Non-woven fabrics formed by filamentary materials	<a href="#">D04H3/02</a>
Quilting and filling with feathers	<a href="#">D05B11/005</a>
Feather treatment in general	<a href="#">D06M19/00</a>

## A41H

### References

Delete: The entire Limiting references section.

DATE: FEBRUARY 1, 2023

PROJECT MP11921

Insert: The following new References out of a residual place section.

**References out of a residual place**

*Examples of places in relation to which this place is residual:*

Sewing-machines, sewing appliances, seam-ripping devices	D05B
--	------

Insert: The following new Informative references section.

**Informative references**

*Attention is drawn to the following places, which may be of interest for search:*

Cutting tools or machines in general	B26
Weaving, braiding, lace-making, knitting or tufting	D03 - D05
Cutting or otherwise severing textile materials	D06H7/00

**A41H 1/00**

**References**

Delete: The entire Limiting references section.

Insert: The following new Informative references section.

DATE: FEBRUARY 1, 2023

PROJECT MP11921

**Informative references**

*Attention is drawn to the following places, which may be of interest for search:*

Making patterns by modelling on the human body	<a href="#">A41H 3/04</a>
Measuring persons for identification purposes	<a href="#">A61B 5/117</a>
Measuring in general	<a href="#">G01B</a>

[A41H 1/06](#)

**References**

Delete: The entire Limiting references section.

Insert: The following new Informative references section.

**Informative references**

*Attention is drawn to the following places, which may be of interest for search:*

Marking per se	<a href="#">D06H 1/00</a>
Marking textile materials by passing a needle through the layers	<a href="#">D06H 1/003</a>

DATE: FEBRUARY 1, 2023

PROJECT MP11921

## A41H 5/00

### References

Delete: The entire Limiting references section.

Insert: The following new Informative references section.

### Informative references

*Attention is drawn to the following places, which may be of interest for search:*

Dummies, busts, or the like, e.g. for displaying garments	<a href="#">A47F 8/00</a>
Contour figures for displaying garments	<a href="#">A47F 8/02</a>

## A41H 17/00

### References

### Limiting references

Delete: The following reference from the Limiting references table.

Frames, stands for sewing machines	D05B 75/00
------------------------------------	------------

Insert: The following new Informative references section.



DATE: FEBRUARY 1, 2023

PROJECT MP11921

**Informative references**

*Attention is drawn to the following places, which may be of interest for search:*

Frames, stands for sewing machines	<a href="#">D05B 75/00</a>
------------------------------------	----------------------------

**A41H 37/06**

Insert: The following new Definition statement.

**Definition statement**

*This place covers:*

Machines, mostly for setting flies.

**References**

Replace: The existing Limiting references table with the following updated table.

**Limiting references**

*This place does not cover:*

Methods for setting fastener-elements on garments	<a href="#">A41H37/001</a>
Hand implements	<a href="#">A41H37/005</a>

DATE: FEBRUARY 1, 2023

PROJECT MP11921

Insert: The following new References out of a residual place section.

**References out of a residual place**

*Examples of places in relation to which this place is residual:*

Setting slide or glide fastener elements by sewing machine	<a href="#">D05B35/064</a>
--	----------------------------

Delete: The entire Special rules of classification section.

**A41H 37/10**

**References**

Replace: The existing Limiting references table with the following updated table.

**Limiting references**

*This place does not cover:*

Methods for setting fastener-elements on garments	<a href="#">A41H37/001</a>
Hand implements	<a href="#">A41H37/005</a>
Thread-like anchoring means avoiding the use of a separate needle and thread	<a href="#">A44B1/185</a>

Insert: The References out of a residual place section.

DATE: FEBRUARY 1, 2023

PROJECT MP11921

**References out of a residual place**

*Examples of places in relation to which this place is residual:*

Sewing apparatus for buttons	D05B 3/16
------------------------------	-----------

**A41H 41/00**

**References**

Delete: The entire Limiting references section.

Insert: The following new Informative references section.

**Informative references**

*Attention is drawn to the following places, which may be of interest for search:*

Fur garments	A41D 5/00
Making articles from leather	B68F 1/00
Manufacture and treatment of leather	C14B 1/00
Artificial leather	D06N 3/00

DATE: FEBRUARY 1, 2023

PROJECT MP11921

## A41H 42/00

Insert: The following new Definition statement section.

### Definition statement

*This place covers:*

The production lines of clothes and disposable garments (not to include diapers).

### References

Delete: The entire Limiting references section.

Insert: The following new References out of a residual place section.

### References out of a residual place

*Examples of places in relation to which this place is residual:*

Sewing units consisting of combinations of several sewing machines	D05B 25/00
--	------------

Insert: The following new Informative references section.

### Informative references

*Attention is drawn to the following places, which may be of interest for search:*

Apparatus or process for manufacturing of absorbent pads, e.g. diapers	A61F13/15577
Producing wearing apparel from plastics	B29D 99/0064
Factory control systems, data acquisition	G05B19/4183

Delete: The entire Special rules of classification section.

DATE: FEBRUARY 1, 2023

PROJECT MP11921

**A41H 43/00**

**References**

Delete: The entire Limiting references section.

Insert: The following new Informative references section.

**Informative references**

*Attention is drawn to the following places, which may be of interest for search:*

Cutting by laser beam	<a href="#">B23K26/00</a>
Cutting machines or appliances for use in the tailoring trade	<a href="#">B26F1/00</a>
Decorative bow structures	<a href="#">D04D7/10</a>
Cutting textiles	<a href="#">D06H7/00</a>

Delete: The entire Special rules of classification section.

**A41H 43/02**

**References**

Delete: The entire Limiting references section.

Insert: The following new Informative references section.

DATE: FEBRUARY 1, 2023

PROJECT MP11921

**Informative references***Attention is drawn to the following places, which may be of interest for search:*

Handling thin material in general	B65H
Web delivery incorporating cutting	B65H 35/00
Web delivery incorporating application of adhesive	B65H 37/04

**A41H 43/04****References**Delete: Each reference of the Limiting references table except the following reference.**Limiting references***This place does not cover:*

Mending garments by adhesives or adhesive patches	A41H 27/00
---	------------

Insert: The following new References out of a residual place section.**References out of a residual place***Examples of places in relation to which this place is residual:*

Joining during the manufacture of particular garments, except by gluing or welding, see relevant subclasses for those garments, e.g.	A41D
Hems or seams made by welding or gluing	A41D 27/245

DATE: FEBRUARY 1, 2023

PROJECT MP11921

Insert: The following new Informative references section.

### **Informative references**

*Attention is drawn to the following places, which may be of interest for search:*

Joining of preformed parts	<a href="#">B29C 65/00</a>
Ultrasonic welding	<a href="#">B29C 65/08</a>
Methods of joining or sewing machines with adhesive without thread	<a href="#">B29C65/48</a>
Joining of preformed parts using adhesive, characterised by the way of applying the adhesive	<a href="#">B29C 65/52</a>
Welding and severing	<a href="#">B29C 65/74</a>
Welding and severing by means of ultrasonic vibrations, using the same tool for welding and severing	<a href="#">B29C 65/7443</a>
Layered products using adhesive	<a href="#">B32B 7/12</a>
Laminating using adhesive	<a href="#">B32B 37/1284</a>
Adhesive processes in general	<a href="#">C09J 5/00</a>
Forming selvages by adhesion	<a href="#">D03D 47/50</a>
Joining by sewing	<a href="#">D05B</a>
Treating selvages or other edges	<a href="#">D06C 25/00</a>
Seaming textiles	<a href="#">D06H 5/00</a>
Thermal or chemical fixing of seams, hems and cuttings	<a href="#">D06M 23/18</a>

DATE: FEBRUARY 1, 2023

PROJECT MP11921

Replace: The existing Special rules of classification text with the following updated text.

**Special rules of classification**

Methods of joining or sewing machines with adhesive without thread are typically classified in [B29C 65/00](#) and in [A41H 43/04](#).