

EUROPEAN PATENT OFFICE  
U.S. PATENT AND TRADEMARK OFFICE

CPC NOTICE OF CHANGES 1402

DATE: FEBRUARY 1, 2023

PROJECT DP11899

The following classification changes will be effected by this Notice of Changes:

<u>Action</u>	<u>Subclass</u>	<u>Group(s)</u>
<b>DEFINITIONS:</b>		
Definitions New:	B01F	23/21, 23/213, 23/23, 23/232, 23/234, 23/235, 23/236, 23/2361, 23/41, 23/47, 23/60,
		25/27, 25/30, 25/31, 25/40, 25/44, 25/60, 25/85,
		27/00, 27/054, 27/072, 27/09, 27/091, 27/213, 27/231, 27/723, 27/83, 27/88
		29/00, 29/15, 29/32, 29/34, 29/60, 29/63, 29/83
		31/00, 31/40, 31/42, 31/445
		33/00, 33/12, 33/30, 33/40, 33/501, 33/502, 33/81, 33/83, 33/85, 33/87,
		35/10, 35/11, 35/12, 35/214, 35/50, 35/81, 35/83, 35/88
		2101/34
Definitions Modified:	B01F	Subclass

No other subclasses/groups are impacted by this Notice of Changes.

This Notice of Changes includes the following [Check the ones included]:

1. CLASSIFICATION SCHEME CHANGES

- A. New, Modified or Deleted Group(s)
- B. New, Modified or Deleted Warning(s)
- C. New, Modified or Deleted Note(s)
- D. New, Modified or Deleted Guidance Heading(s)

2. DEFINITIONS

- A. New or Modified Definitions (Full definition template)
- B. Modified or Deleted Definitions (Definitions Quick Fix)

3.  REVISION CONCORDANCE LIST (RCL)

4.  CHANGES TO THE CPC-TO-IPC CONCORDANCE LIST (CICL)

5.  CHANGES TO THE CROSS-REFERENCE LIST (CRL)

## 2. A. DEFINITIONS (new)

Insert: The following new Definitions:

### **B01F 23/21**

#### **References**

##### ***Informative references***

*Attention is drawn to the following places, which may be of interest for search:*

Dispensing two or more contents	<a href="#">B65D 83/68</a>
---------------------------------	----------------------------

### **B01F 23/213**

#### **References**

##### ***Application oriented references***

*Examples of places where the subject matter of this place is covered when specially adapted, used for a particular purpose, or incorporated in a larger system:*

Disinfection, sterilisation or deodorisation using sprayed or atomised substances	<a href="#">A61L 9/14</a>
For internal combustion engines	<a href="#">F01N 3/00</a>
Air-conditioned humidifier	<a href="#">F24F 6/00</a>

##### ***Informative references***

*Attention is drawn to the following places, which may be of interest for search:*

Evaporation by spraying	<a href="#">B01D 1/16</a>
-------------------------	---------------------------

DATE: FEBRUARY 1, 2023

PROJECT DP11899

## **B01F 23/23**

### **Definition statement**

*This place covers:*

Mixing by introducing the gas into the liquid media using a particular technique, e.g. to obtain a homogenised mixture including appropriate bubble sizes or to produce aerated fluids.

## **B01F 23/232**

### **References**

#### ***Informative references***

*Attention is drawn to the following places, which may be of interest for search:*

Distillation or related exchange processes in which liquids are contacted with gaseous media	<a href="#">B01D 3/00</a>
Jet regulators with aerating means	<a href="#">E03C 1/084</a>

## **B01F 23/234**

### **References**

#### **Application-oriented references**

*Examples of places where the subject matter of this place is covered when specially adapted, used for a particular purpose, or incorporated in a larger system:*

Aeration of stretches of water	<a href="#">C02F 7/00</a>
--------------------------------	---------------------------

DATE: FEBRUARY 1, 2023

PROJECT DP11899

**B01F 23/235****References*****Application-oriented references***

*Examples of places where the subject matter of this place is covered when specially adapted, used for a particular purpose, or incorporated in a larger system:*

For fire extinguishing materials	<a href="#">A62C 5/02</a>
----------------------------------	---------------------------

**B01F 23/236****References*****Application-oriented references***

*Examples of places where the subject matter of this place is covered when specially adapted, used for a particular purpose, or incorporated in a larger system:*

Mixing gases with non-alcoholic beverages	<a href="#">A23L 2/54</a>
---	---------------------------

***Informative references***

*Attention is drawn to the following places, which may be of interest for search:*

Effervescence-generating compositions used in mixing non-alcoholic beverages, e.g. carbon dioxide tablets	<a href="#">A23L 2/40</a>
Beer; Preparation of beer	<a href="#">C12C</a>
Impregnation of wine with carbon dioxide; Preparation of sparkling wine	<a href="#">C12G 1/06</a>
Preparation of other alcoholic beverages	<a href="#">C12G 3/00</a>

DATE: FEBRUARY 1, 2023

PROJECT DP11899

**B01F 23/2361****References****Informative references***Attention is drawn to the following places, which may be of interest for search:*

Filling containers with liquids or semi-liquids using counterpressure by preliminary filling with inert gases, e.g. carbon dioxide	<a href="#">B67C 3/10</a>
Apparatus utilising compressed air or other gas acting directly or indirectly on beverages in storage containers	<a href="#">B67D 1/04</a>

**B01F 23/41****References****Informative references***Attention is drawn to the following places, which may be of interest for search:*

Emulsion cosmetics or similar toilet preparations	<a href="#">A61K 8/06</a>
Emulsified medicinal preparations	<a href="#">A61K 9/107</a>
Use of substances as emulsifying, wetting, dispersing or foam-producing agents, e.g. emulsifiers	<a href="#">C09K 23/00</a>

**B01F 23/47****Glossary of terms***In this place, the following terms or expressions are used with the meaning indicated:*

High viscosity liquids	A high viscosity fluid is generally considered one with a viscosity above 2000 centipoise, such as the viscosity of bitumen measured at 25 deg.C.
------------------------	---

**B01F 23/60**

**References**

**Informative references**

*Attention is drawn to the following places, which may be of interest for search:*

Obtaining an average product from stored bulk material in connection with loading or unloading	<a href="#">B65G 69/10</a>
--	----------------------------

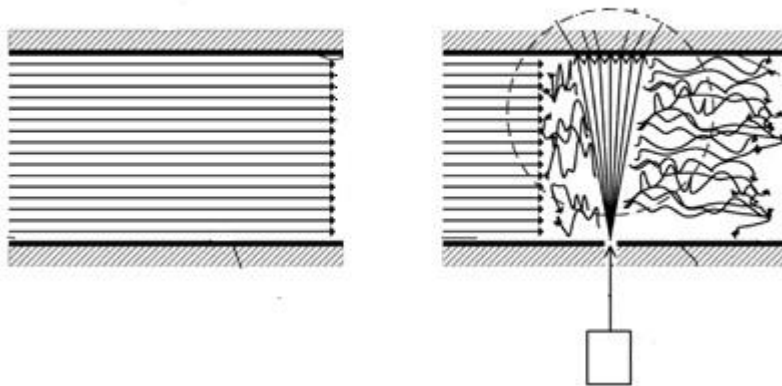
**B01F 25/27**

**Definition statement**

*This place covers:*

Mixing whereby the high-speed jetting components form a fluid stream which is used to agitate the contents flowing in a conduit, e.g. by directing the jet flow against each other.

Illustrative example of subject matter classified in this place:



## **B01F 25/30**

### **Definition statement**

*This place covers:*

Mixers wherein additional components are injected to a flowing main component without jetting the additional component.

### **Limiting references**

*This place does not cover:*

Mixing by creating a vortex flow, e.g. by tangential introduction of flow components	<a href="#">B01F 25/10</a>
--	----------------------------

## **B01F 25/31**

### **References**

#### **Application-oriented references**

*Examples of places where the subject matter of this place is covered when specially adapted, used for a particular purpose, or incorporated in a larger system:*

Mixing devices for gas burners	<a href="#">F23D 14/62</a>
--------------------------------	----------------------------

## **B01F 25/40**

### **Definition statement**

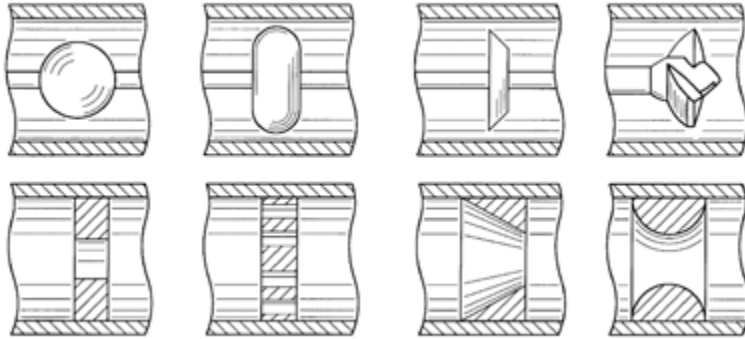
*This place covers:*

Mixers for the continuous mixing of material without moving components and is either by a change of direction of the flow or by splitting and recombining of the stream.

Illustrative examples of subject matter classified in this place:

DATE: FEBRUARY 1, 2023

PROJECT DP11899



**References**

**Limiting references**

*This place does not cover:*

Crushing, pulverizing or disintegrating, e.g. colloid mills	B02C
Multiple-way valves, e.g. mixing valves; Pipe fittings incorporating such valves; Arrangement of valves and flow lines specially adapted for mixing fluid	F16K 11/00

**Informative references**

*Attention is drawn to the following places, which may be of interest for search:*

Pump mixers of the centrifugal-pump type, i.e. turbo-mixers	B01F 25/64
---	------------

**B01F 25/44**

**Definition statement**

*This place covers:*

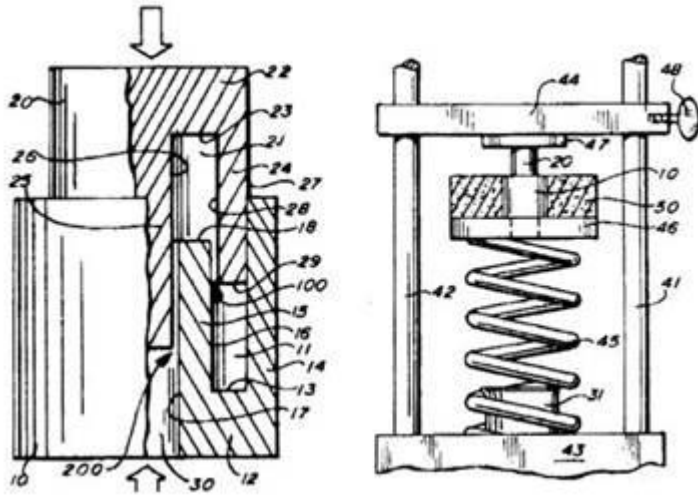
Mixers in which the pressing of the material through the orifices or interstitial spaces causes shear forces to mix the components.

Illustrative example of subject matter classified in this place:



DATE: FEBRUARY 1, 2023

PROJECT DP11899



**B01F 25/60**

**References**

**Informative references**

*Attention is drawn to the following places, which may be of interest for search:*

Pumps for liquids or elastic fluids; Positive displacement machines for liquids	F04
---	-----

**B01F 25/85**

**Definition statement**

*This place covers:*

Falling particle mixers whereby the particles are dropped on a flowing film of liquid which is created on the wall of a receptacle, e.g. to mix or avoid particles sticking to the wall.

DATE: FEBRUARY 1, 2023

PROJECT DP11899

**B01F 27/00****References*****Limiting references****This place does not cover:*

Magnetic mixers	<a href="#">B01F 33/45</a>
-----------------	----------------------------

***Application oriented references****Examples of places where the subject matter of this place is covered when specially adapted, used for a particular purpose, or incorporated in a larger system:*

Mixing; Kneading of plastics	<a href="#">B29B 7/00</a>
------------------------------	---------------------------

***Informative references****Attention is drawn to the following places, which may be of interest for search:*

Crushing, pulverizing or disintegrating in general; Milling grain	<a href="#">B02C</a>
Centrifugal mixers	<a href="#">B04B</a>
Machines or devices specially designed for dressing or handling the mould material by grinding, blending, mixing, kneading or stirring	<a href="#">B22C 5/04</a>
Multiple way valves, e.g. mixing valves; Pipe fittings incorporating such valves; Arrangement of valves and flow lines specially adapted for mixing fluid	<a href="#">F16K 11/00</a>

DATE: FEBRUARY 1, 2023

PROJECT DP11899

## **B01F 27/054**

### **References**

#### ***Informative references***

*Attention is drawn to the following places, which may be of interest for search:*

Stirrers having elements for co-operating with receptacle wall or bottom, e.g. for scraping the receptacle wall	<a href="#">B01F 27/091</a>
---	-----------------------------

## **B01F 27/072**

### **Definition statement**

*This place covers:*

Stirrers or stirring elements mounted to the shaft and their arrangement or position in relation to the rotating axis of the main shaft of the stirrer, e.g. oblique, parallel, perpendicular, directly mounted on the shaft or mounted on a rod connected to the shaft.

## **B01F 27/09**

### **Definition statement**

*This place covers:*

Mounting of stirrers and their arrangement or position with regard to the receptacle.

DATE: FEBRUARY 1, 2023

PROJECT DP11899

## **B01F 27/091**

### **References**

#### ***Informative references***

*Attention is drawn to the following places, which may be of interest for search:*

Pan-type mixers, i.e. mixers in which the stirring elements move along the bottom of a pan-shaped receptacle	<a href="#">B01F 27/82</a>
--	----------------------------

## **B01F 27/213**

### **References**

#### ***Informative references***

*Attention is drawn to the following places, which may be of interest for search:*

Couplings for transmitting rotation	<a href="#">F16D</a>
-------------------------------------	----------------------

## **B01F 27/231**

### **Definition statement**

*This place covers:*

Stirrers with a rotating axis which is movable during the mixing operation, e.g. to reach different areas of the mixing receptacle. The orientation of the fixed stirrer can be changed.

### **References**

#### ***Informative references***

*Attention is drawn to the following places, which may be of interest for search:*

The stirrers rotating about a substantially vertical axis being additionally moved radially, or oscillating about an axis perpendicular to the stirrer axis	B01F 27/83
---	------------

## B01F 27/723

### References

#### *Application oriented references*

*Examples of places where the subject matter of this place is covered when specially adapted, used for a particular purpose, or incorporated in a larger system:*

Mixing or kneading of plastics with intermeshing devices, e.g. intermeshing screws	B29B 7/48
--	-----------

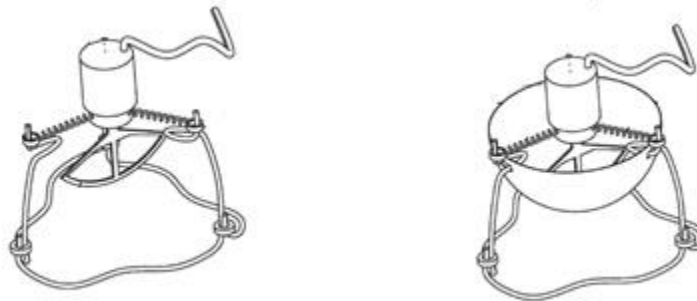
## B01F 27/83

### Definition statement

*This place covers:*

The stirrer oscillates about a horizontal axis due to the way the stirrer is connected to the mixer, e.g. by springs.

Illustrative example of subject matter classified in this place:



DATE: FEBRUARY 1, 2023

PROJECT DP11899

**References*****Informative references****Attention is drawn to the following places, which may be of interest for search:*

With a variable orientation of the rotor axis during mixing operation, e.g. with tiltable rotor axis	<a href="#">B01F 27/231</a>
With stirrers rotating about a substantially vertical axis and having planetary motion, i.e. rotating about their own axis and about sun axis	<a href="#">B01F 27/95</a>

**B01F 27/88****Definition statement***This place covers:*

Stirrers with a separate receptacle-stirrer unit, which can be connected to a drive, e.g. motor, when required.

**B01F 29/00****References*****Informative references****Attention is drawn to the following places, which may be of interest for search:*

Mixers with a mixing receptacle rotating alternately in opposite directions	<a href="#">B01F 31/10</a>
Safety arrangements	<a href="#">B01F 35/60</a>

DATE: FEBRUARY 1, 2023

PROJECT DP11899

## **B01F 29/15**

### **References**

#### ***Informative references***

*Attention is drawn to the following places, which may be of interest for search:*

Centrifuges per se	B04B
--------------------	------

## **B01F 29/32**

### **Definition statement**

*This place covers:*

Containers, e.g. separate tumblers or receptacles, which are specially adapted for coupling to the rotating frame of the mixer, e.g. by using an indentation on the container wall.

## **B01F 29/34**

### **Definition statement**

*This place covers:*

Package or container holders of the mixer which are shaped so as to hold the individual package or container.

**B01F 29/60**

**References**

***Application oriented references***

*Examples of places where the subject matter of this place is covered when specially adapted, used for a particular purpose, or incorporated in a larger system:*

Apparatus for tenderising meat, e.g. massaging ham by using tumblers or rotating drums	<a href="#">A22C 9/00</a>
--	---------------------------

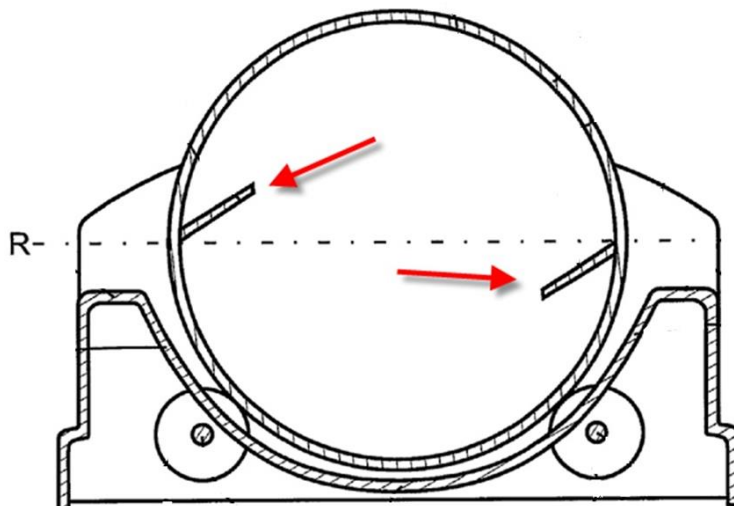
**B01F 29/63**

**Definition statement**

*This place covers:*

Mixers with stationary bars that are optionally fixed to the receptacle.

Illustrative example of subject matter classified in this place:





DATE: FEBRUARY 1, 2023

PROJECT DP11899

## **B01F 29/83**

### **References**

#### **Application oriented references**

*Examples of places where the subject matter of this place is covered when specially adapted, used for a particular purpose, or incorporated in a larger system:*

Mixing or kneading machines for the preparation of dough with inclined rotating mixing arms or levers	<a href="#">A21C 1/04</a>
---	---------------------------

## **B01F 31/00**

### **References**

#### **Informative references**

*Attention is drawn to the following places, which may be of interest for search:*

Safety arrangements	<a href="#">B01F 35/60</a>
---------------------	----------------------------

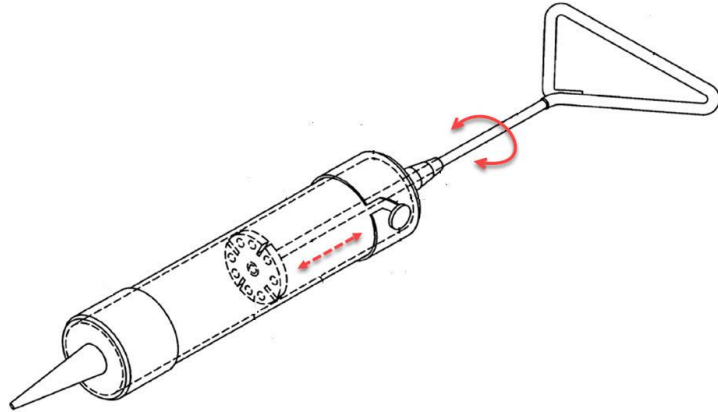
## **B01F 31/40**

### **Definition statement**

*This place covers:*

Mixers having a rotating stirrer whereby simultaneously an axial motion is imparted to the stirrer axis.

Illustrative example of subject matter classified in this place:



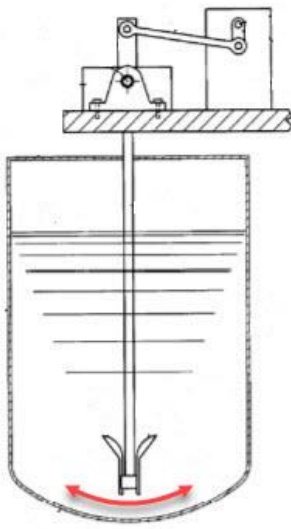
**B01F 31/42**

**Definition statement**

*This place covers:*

Mixers having a rotating stirrer whereby simultaneously a pendulum motion is imparted to the stirrer axis.

Illustrative example of subject matter classified in this place:



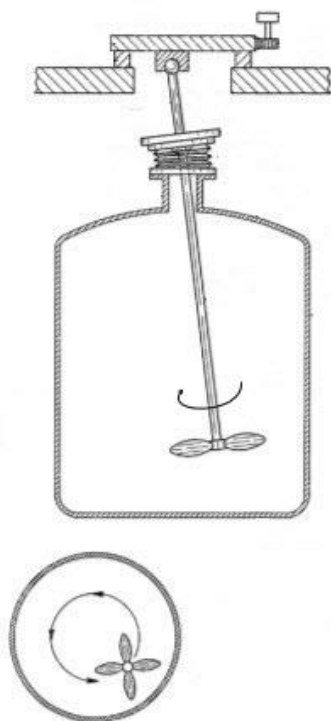
## **B01F 31/445**

### **Definition statement**

*This place covers:*

Mixers having a rotating stirrer and at the same time an oscillatory movement is imparted to the stirrer axis about an axis.

Illustrative example of subject matter classified in this place:



## **B01F 33/00**

### **References**

#### **Application-oriented references**

*Examples of places where the subject matter of this place is covered when specially adapted, used for a particular purpose, or incorporated in a larger system:*

DATE: FEBRUARY 1, 2023

PROJECT DP11899

Mixing or kneading machines for the preparation of dough with rollers	<a href="#">A21C 1/08</a>
Continuous mixing or kneading of plastics with mechanical mixing or kneading devices	<a href="#">B29B 7/30</a>

***Informative references***

*Attention is drawn to the following places, which may be of interest for search:*

Crushing or disintegrating by roller mills	<a href="#">B02C 4/00</a>
--	---------------------------

**B01F 33/12****References*****Informative references***

*Attention is drawn to the following places, which may be of interest for search:*

Micromixers using heat to mix or move the fluids	<a href="#">B01F 33/3033</a>
--	------------------------------

**B01F 33/30****Definition statement**

*This place covers:*

Mixers having transporting fluid channels with sizes in the micrometre range.

**References*****Application-oriented references***

*Examples of places where the subject matter of this place is covered when specially adapted, used for a particular purpose, or incorporated in a larger system:*

DATE: FEBRUARY 1, 2023

PROJECT DP11899

Processes or apparatus specially adapted for the manufacture or treatment of microstructural devices or systems	B81C
---	------

**Informative references**

Attention is drawn to the following places, which may be of interest for search:

Microstructural devices or systems	B81B
------------------------------------	------

**B01F 33/40****References****Application-oriented references**

Examples of places where the subject matter of this place is covered when specially adapted, used for a particular purpose, or incorporated in a larger system:

Apparatus specially adapted for being mounted on vehicles with provision for mixing cement during transport	B28C 5/42
---	-----------

**Informative references**

Attention is drawn to the following places, which may be of interest for search:

Jet mixers	B01F 25/20
Injector mixers	B01F 25/30
Aeration of stretches of water	C02F 7/00

**B01F 33/501****References****Application-oriented references**

DATE: FEBRUARY 1, 2023

PROJECT DP11899

*Examples of places where the subject matter of this place is covered when specially adapted, used for a particular purpose, or incorporated in a larger system:*

Machines for domestic use in mixing of food, not covered elsewhere, e.g. hand mixers used in kitchens	<a href="#">A47J 43/04</a>
---	----------------------------

## **B01F 33/502**

### **Definition statement**

*This place covers:*

Vehicle mounted mixing devices which cannot be separated from the movable vehicle.

### **References**

#### ***Application-oriented references***

*Examples of places where the subject matter of this place is covered when specially adapted, used for a particular purpose, or incorporated in a larger system:*

Apparatus specially adapted for being mounted on vehicles with provision for mixing cement during transport	<a href="#">B28C 5/42</a>
---	---------------------------

## **B01F 33/81**

### **Definition statement**

*This place covers:*

Mixers where the material is in a type of mixer, e.g. static mixer, then the material is moved into another similar mixer.

**B01F 33/83**

**References**

***Informative references***

*Attention is drawn to the following places, which may be of interest for search:*

Crushing, pulverising or disintegrating in general	B02C
--	------

**B01F 33/85**

**Definition statement**

*This place covers:*

Mixing plants where the receptacles are capable of moving through the plant to a plurality of locations for performing different mixing operations.

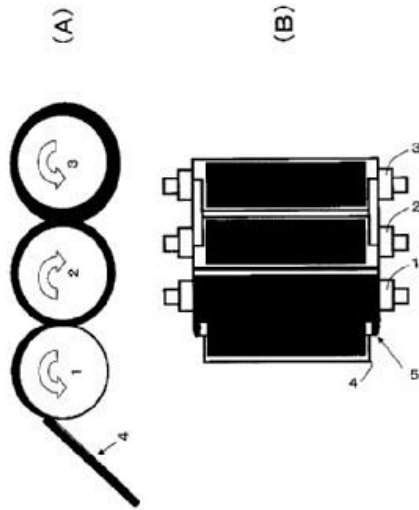
**B01F 33/87**

**Definition statement**

*This place covers:*

Mixers having at least one roller rotating around its longitudinal axis, typically having at least two rollers pressing against each other to homogenize and mix a material.

Illustrative example of subject matter classified in this place:



## References

### Application-oriented references

Examples of places where the subject matter of this place is covered when specially adapted, used for a particular purpose, or incorporated in a larger system:

Mixing or kneading machines for the preparation of dough with rollers	<a href="#">A21C 1/08</a>
Continuous mixing or kneading of plastics with rotary mixing or kneading devices	<a href="#">B29B 7/38</a>

### Informative references

Attention is drawn to the following places, which may be of interest for search:

Crushing or disintegrating by roller mills	<a href="#">B02C 4/00</a>
--	---------------------------

## B01F 35/10

### Definition statement

This place covers:



DATE: FEBRUARY 1, 2023

PROJECT DP11899

Maintenance of mixers includes any process of preserving the proper functioning of the mixers, e.g. washing, cleaning, repairing or replacing of mixers.

## References

### *Informative references*

*Attention is drawn to the following places, which may be of interest for search:*

Cleaning in general	B08B
---------------------	------

## B01F 35/11

### Definition statement

*This place covers:*

Maintenance of mixers by the application of fluids for maintenance purposes, e.g. using oil for lubrication of parts or using cleaning fluids for cleaning of mixers.

## B01F 35/12

### Definition statement

*This place covers:*

Maintenance of mixers by using mechanical means, e.g. knockers or scrapers to dislodge material that sticks to the surface of the mixer.

## **B01F 35/214**

### **References**

#### ***Informative references***

*Attention is drawn to the following places, which may be of interest for search:*

Measuring; Testing	G01
--------------------	-----

## **B01F 35/50**

### **Definition statement**

*This place covers:*

Receptacles specially adapted to mixing.

## **B01F 35/81**

### **Definition statement**

*This place covers:*

The ratio or gradient of the amount or flow rates of two or more materials to be mixed are varied to obtain a collection of several mixtures of different concentrations.

## **B01F 35/83**

### **Definition statement**

*This place covers:*

Controlling of the ratio of two or more flows of substances to be mixed whereby the operation is a continuous process.

DATE: FEBRUARY 1, 2023

PROJECT DP11899

## **B01F 35/88**

### **Definition statement**

*This place covers:*

Feeding of the material to be mixed whereby the operation is done in batches.

## **B01F 2101/34**

### **Glossary of terms**

*In this place, the following terms or expressions are used with the meaning indicated:*

Prill	a small aggregate or globule of a material, typically a dry sphere, formed from a melted liquid
-------	---

DATE: FEBRUARY 1, 2023

PROJECT DP11899

## 2. A. DEFINITIONS (modified)

### B01F

#### Definition statement

Replace: The word “homogenization” in the first and third paragraphs of the Definition statement with “homogenisation”. Additionally, replace “an” with “a” before “homogeneous” in the first paragraph. The text should appear as follows:

Agitation and/or homogenisation of products formed by a combination of two or more components with the purpose of obtaining a homogeneous composition or homogeneous conditions in the mass of material.

Stirring of a single material with the purpose of obtaining homogeneous conditions in the mass of material.

This subclass covers the mixing, agitation and homogenisation of materials, irrespective of the application in which it is produced, whenever the device and/or method is directed to achieve said desired effect.

#### References

##### Limiting references

Replace: The Limiting references table with the following new table:

Mixing paints	B44D 3/06
---------------	-----------

Insert: The following new Application oriented references section:

##### Application oriented references

*Examples of places where the subject matter of this place is covered when specially adapted, used for a particular purpose, or incorporated in a larger system:*

Mixing apparatus; Roller mills for preparing chocolate	A23G 1/10
Apparatus or methods for producing mixtures of cement with other substances, e.g. slurries, mortars, porous or fibrous compositions	B28C 5/00
Controlling the operation of apparatus for producing mixtures of clay or cement with other substances; Supplying or proportioning the ingredients for mixing clay or cement	B28C 7/00

DATE: FEBRUARY 1, 2023

PROJECT DP11899

with other substances; Discharging the mixture	
--	--

Insert: The following new Informative references section:

### Informative references

*Attention is drawn to the following places, which may be of interest for search:*

Disinfection, sterilisation or deodorisation of air	A61L 9/00
Granulation (with or without coating)	B01J 2/00
Chemical, physical or physico-chemical processes in general; Their relevant apparatus	B01J 19/00
Crushing, pulverising, disintegrating	B02
Flotation	B03D
Spraying apparatus; Atomising apparatus, e.g. aerosol manufacturing apparatus; Nozzles	B05B
Apparatus for applying fluent materials to surfaces, in general	B05C
Apparatus for enzymology or microbiology	C12M 1/00
Air-conditioning, air-humidification, ventilation	F24F
Drying	F26
Heat-exchange apparatus in which the heat-exchange media are contacted, e.g. cooling towers	F28C

### Special rules of classification

Replace: The entire Special rules text with the following revised text:

In general, devices and processes in which agitation or contact of materials is produced, the object of said agitation/contact being different than for obtaining a homogeneous mixture (e.g. mass transfer devices and processes, a mere contact of two or more different materials, devices or processes in which agitation/homogenisation is intrinsic to the process per se but it is not the primary purpose), are not classified in this subclass.

As a general rule, the following information is to be classified in its whole extent:

What is mixed, i.e. the phases of materials being mixed:  
groups B01F 21/00 and B01F 23/00.

How it is mixed: groups B01F 25/00, B01F 27/00, B01F 29/00,  
B01F 31/00 and B01F 33/00.

DATE: FEBRUARY 1, 2023

PROJECT DP11899

Auxiliary information: groups [B01F 35/00](#).

The use of substances used as emulsifying, wetting, dispersing or foam-producing agents is normally only classified in [C09K 23/00](#), except when the related devices for mixing are also disclosed.

With regard to the phases to be mixed, the following is to be observed:

- when only a general reference to the phases is indicated, only the indexing symbols [B01F 21/00](#) and [B01F 23/00](#) are used;
- if reference is made to the use of the device for any kind of mixtures, it is not classified in [B01F 21/00](#), [B01F 23/00](#), [B01F 21/00](#) or [B01F 23/00](#);
- when the application is of relevance (i.e. the type of product produced is claimed or the device is claimed for making a specific product) then it is also classified in the corresponding application field.