

EUROPEAN PATENT OFFICE  
U.S. PATENT AND TRADEMARK OFFICE

CPC NOTICE OF CHANGES 1420

DATE: MAY 1, 2023

PROJECT MP10334

**The following classification changes will be effected by this Notice of Changes:**

<u>Action</u>	<u>Subclass</u>	<u>Group(s)</u>
<b>SCHEME:</b>		
Titles Changed:	B64C	1/063, 1/22, 1/38, 1/403, 1/406
	B64C	3/36
	B64C	11/008
	B64C	25/423
	B64C	27/467, 27/473
	B64C	30/00
	B64C	39/06, 39/10
Indents Changed:	B64C	25/405, 2039/105
<b>DEFINITIONS:</b>		
Definitions Deleted: (no frozen (F) symbol definitions should be deleted)	B64C	29/0025, 29/0033,
Definitions New:	B64C	19/02, 27/14, 39/062
Definitions Modified:	B64C	1/063, 1/066, 1/10, 1/1492, 1/16, 1/20, 1/22, 1/38, 1/403, 1/406
	B64C	3/141, 3/182, 3/36, 3/48, 3/546,
	B64C	9/38
	B64C	11/008
	B64C	25/38, 25/423
	B64C	27/001, 27/467, 27/473, 27/52, 27/72
	B64C	31/028, 31/0285, 31/032
	B64C	33/02
	B64C	39/001, 39/026, 39/06, 39/064, 39/066, 39/068, 39/10

**No other subclasses/groups are impacted by this Notice of Changes.**

**This Notice of Changes includes the following [Check the ones included]:**

1. CLASSIFICATION SCHEME CHANGES

- A. New, Modified or Deleted Group(s)
- B. New, Modified or Deleted Warning(s)
- C. New, Modified or Deleted Note(s)
- D. New, Modified or Deleted Guidance Heading(s)

CPC NOTICE OF CHANGES 1420

DATE: MAY 1, 2023

PROJECT MP10334

2. DEFINITIONS

- A. New or Modified Definitions (Full definition template)
  - B. Modified or Deleted Definitions (Definitions Quick Fix)
3.  REVISION CONCORDANCE LIST (RCL)
4.  CHANGES TO THE CPC-TO-IPC CONCORDANCE LIST (CICL)
5.  CHANGES TO THE CROSS-REFERENCE LIST (CRL)

CPC NOTICE OF CHANGES 1420

DATE: MAY 1, 2023

PROJECT MP10334

1. CLASSIFICATION SCHEME CHANGES

A. New, Modified or Deleted Group(s)

**SUBCLASS B64C – AIRPLANES; HELICOPTERS**

<u>Type*</u>	<u>Symbol</u>	<u>Indent Level</u> <u>Number of</u> <u>dots (e.g. 0,</u> <u>1, 2)</u>	<u>Title</u> <u>“CPC only” text should normally be</u> <u>enclosed in {curly brackets}**</u>	<u>Transferred to#</u>
M	B64C 1/063	3	{Folding or collapsing to reduce overall dimensions, e.g. foldable tail booms }	
M	B64C 1/22	1	Other structures integral with fuselages to facilitate loading {, e.g. cargo bays, cranes }	
M	B64C 1/38	1	Constructions adapted to reduce effects of aerodynamic or other external heating	
M	B64C 1/403	2	{Arrangement of fasteners specially adapted therefor, e.g. of clips }	
M	B64C 1/406	3	{in combination with supports for lines, e.g. for pipes or cables }	
M	B64C 3/36	1	Structures adapted to reduce effects of aerodynamic or other external heating	
M	B64C 11/008	1	{ characterised by vibration absorbing or balancing means }	
M	B64C 25/405	2	{Powered wheels, e.g. for taxiing }	
M	B64C 25/423	3	{Braking devices acting by reaction of gaseous medium}	
M	B64C 27/467	3	Aerodynamic features	
M	B64C 27/473	3	Constructional features	
M	B64C 30/00	0	Supersonic type aircraft	
M	B64C 39/06	1	having disc- or ring-shaped wings	
M	B64C 39/10	1	All-wing aircraft	
M	B64C 2039/105	2	{of blended wing body type }	

\*N = new entries where reclassification into entries is involved; C = entries with modified file scope where reclassification of documents from the entries is involved; Q = new entries which are firstly populated with documents via administrative transfers from deleted (D) entries. Afterwards, the transferred documents into the Q entry will either stay or be moved to more appropriate entries, as determined by intellectual reclassification; T = existing entries with enlarged file scope, which receive documents from C or D entries, e.g. when a limiting reference is removed from the entry title; M = entries with no change to the file scope (no reclassification); D = deleted entries; F = frozen entries will be deleted once reclassification of documents from the entries is completed; U = entries that are unchanged.

NOTES:

## CPC NOTICE OF CHANGES 1420

DATE: MAY 1, 2023

PROJECT MP10334

- \*\*No {curly brackets} are used for titles in CPC only subclasses, e.g. C12Y, A23Y; 2000 series symbol titles of groups found at the end of schemes (orthogonal codes); or the Y section titles. The {curly brackets} are used for 2000 series symbol titles found interspersed throughout the main trunk schemes (breakdown codes).
- U groups: it is obligatory to display the required “anchor” symbol (U group), i.e. the entry immediately preceding a new group or an array of new groups to be created (in case new groups are not clearly subgroups of C-type groups). Always include the symbol, indent level and title of the U group in the table above.
- All entry types should be included in the scheme changes table above for better understanding of the overall scheme change picture. Symbol, indent level, and title are required for all types.
- “Transferred to” column must be completed for all C, D, F, and Q type entries. F groups will be deleted once reclassification is completed.
- When multiple symbols are included in the “Transferred to” column, avoid using ranges of symbols in order to be as precise as possible.
- For administrative transfer of documents, the following text should be used: “<administrative transfer to XX>”, “<administrative transfer to XX and YY simultaneously>”, or “<administrative transfer to XX, YY, ...and ZZ simultaneously>” when administrative transfer of the same documents is to more than one place.
- Administrative transfer to main trunk groups is assumed to be the source allocation type, unless otherwise indicated.
- Administrative transfer to 2000/Y series groups is assumed to be “additional information”.
- If needed, instructions for allocation type should be indicated within the angle brackets using the abbreviations “ADD” or “INV”: <administrative transfer to XX ADD>, <administrative transfer to XX INV>, or <administrative transfer to XX ADD, YY INV, ... and ZZ ADD simultaneously>.
- In certain situations, the “D” entries of 2000-series or Y-series groups may not require a destination (“Transferred to”) symbol, however it is required to specify “<no transfer>” in the “Transferred to” column for such cases.
- For finalisation projects, the deleted “F” symbols should have <no transfer> in the “Transferred to” column.
- For more details about the types of scheme change, see CPC Guide.

## 2. A. DEFINITIONS (new)

Insert: The following new Definitions.

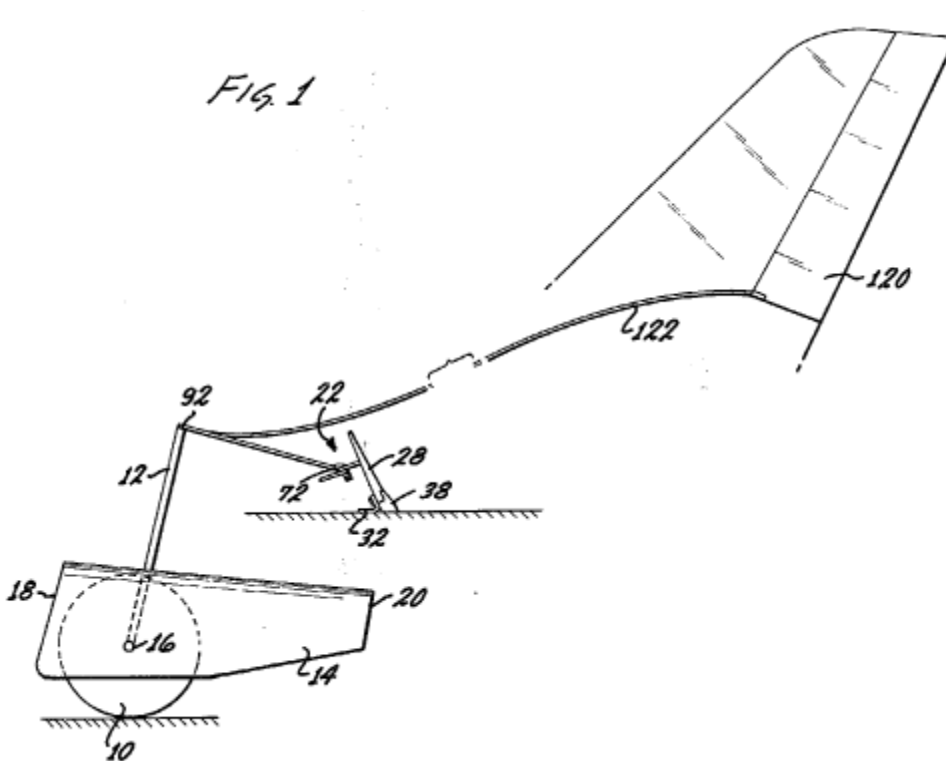
### B64C 19/02

#### Definition statement

*This place covers:*

Manual or automatic controller(s) on board one or more aircraft, embodying manual inputs or automatic control logic for aircraft sub-units of different type or different function, send(s) control signals to actuators of two or more aircraft sub-units, so that the sub-units act together to solve a particular problem or in response to a particular flying condition, e.g. in order to improve stability, comfort or safety, by managing the global dynamics of the one or more aircraft.

Illustrative examples of subject matter classified in this group:



DATE: MAY 1, 2023

PROJECT MP10334

### **Relationships with other classification places**

This area relates to aircraft control, function and dynamics of aircraft flying.

Classification concerning control of position, course or altitude will be placed in G05D 1/00.

### **References**

#### **Informative references**

*Attention is drawn to the following places, which may be of interest for search:*

Flying units formed by separate aircraft	<a href="#">B64C 37/02</a>
Aircraft towing aircraft	<a href="#">B64D 3/00</a>
Aircraft transported by aircraft	<a href="#">B64D 5/00</a>

### **Special rules of classification**

Dual control apparatuses should be placed in B64C 13/12.

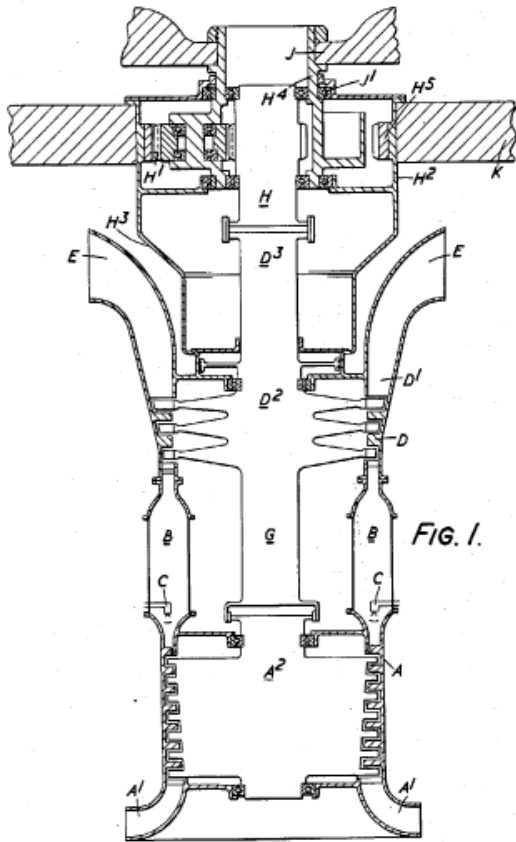
### **B64C27/14**

#### **Definition statement**

*This place covers:*

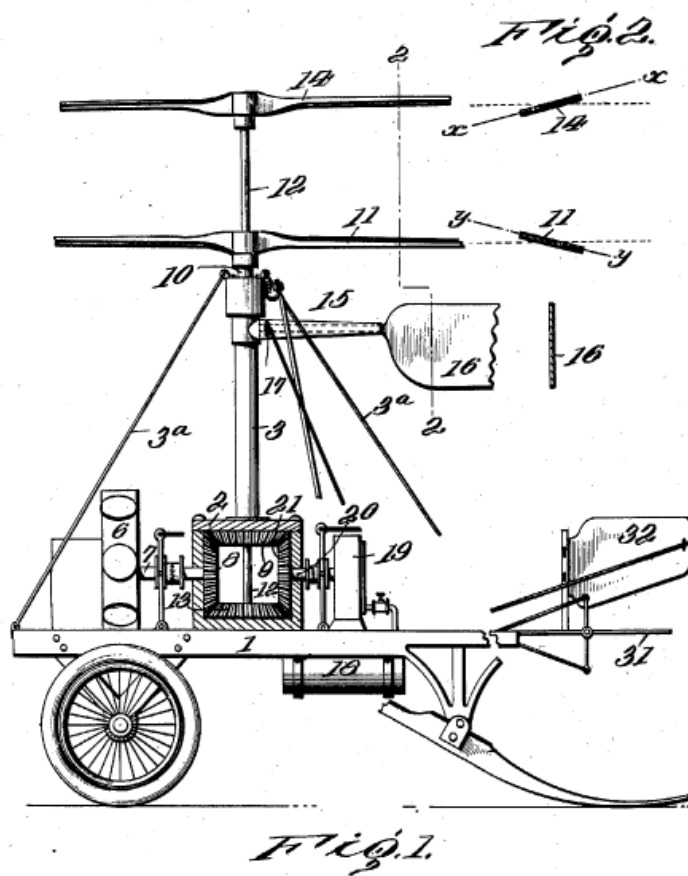
Drives which transfer motor output to the rotors at a generally 1:1 ratio.

Illustrative examples of subject matter classified in this group:



DATE: MAY 1, 2023

PROJECT MP10334



### Relationships with other classification places

Drives between a power plant and a rotor hub that use electricity should be placed in B64D 27/24.

### B64C 39/062

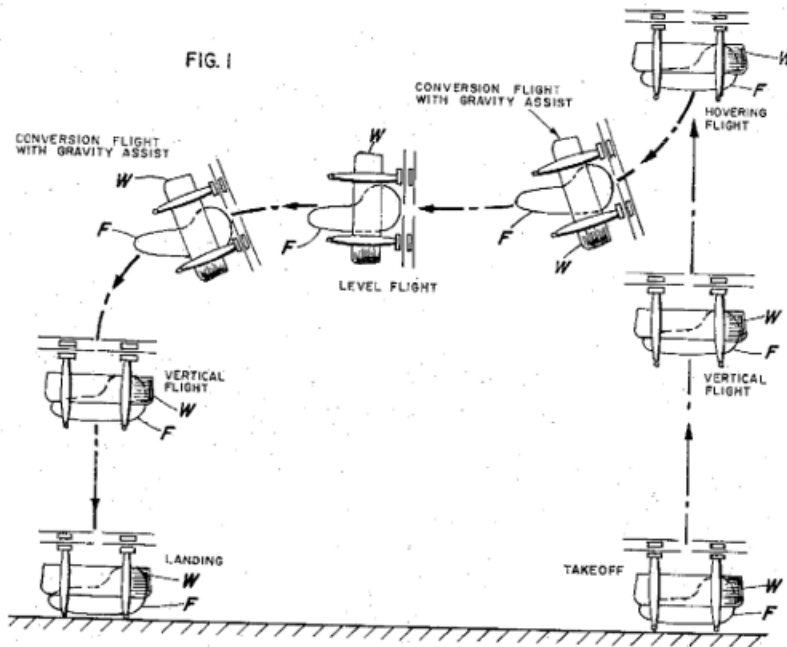
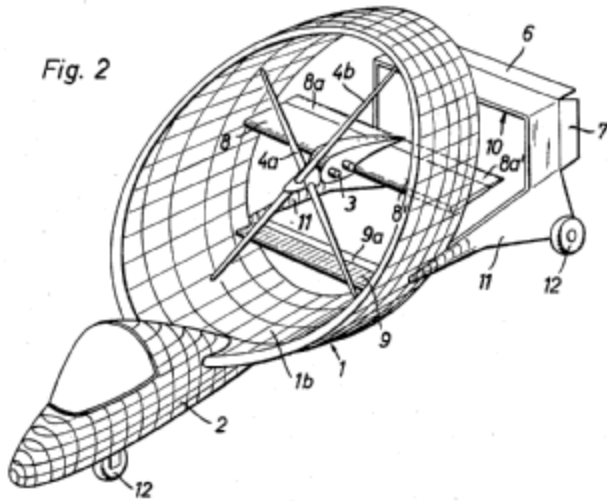
#### Definition statement

*This place covers:*

Aircraft having ring-shaped wings wherein the air flow in level flight is parallel to an axis of revolution of said ring

Illustrative examples of annular wings:





## 2. A. DEFINITIONS (modified)

### B64C 1/063

Delete: The entire Relationships with other classification places section.

### References

Delete: The entire Limiting references section.

Insert: The following new Informative references section.

#### Informative references

*Attention is drawn to the following places, which may be of interest for search:*

Parts of fuselage relatively moveable to reduce overall size for storage	B64C 1/30
Folding or collapsing wings	B64C 3/56

### B64C 1/066

### References

Delete: The entire Limiting references section.

Insert: The following new Informative references section.

DATE: MAY 1, 2023

PROJECT MP10334

**Informative references**

*Attention is drawn to the following places, which may be of interest for search:*

Sound or heat insulating mat assemblies for being positioned adjacent the fuselage outer skin	B64C 1/40
---	-----------

**B64C 1/10**

Delete: The entire Relationships with other classification places section.

**References**

Delete: The entire Limiting references section.

Insert: The following new Informative references section.

**Informative references**

*Attention is drawn to the following places, which may be of interest for search:*

Fuselage frames	B64C 1/061
Cabin dividers for class separation	B64D 11/0023

**B64C 1/1492**

**References**

Delete: The entire Limiting references section.

Insert: The following new Informative references section.

DATE: MAY 1, 2023

PROJECT MP10334

**Informative references**

*Attention is drawn to the following places, which may be of interest for search:*

Pyrotechnics for shattering canopies	<a href="#">B64C 1/32</a>
--------------------------------------	---------------------------

**B64C 1/16**

Delete: The entire Relationships from other classification places section.

Insert: The following new Informative references section.

**References**

**Informative references**

*Attention is drawn to the following places, which may be of interest for search:*

Aircraft characterised by piston type power plant within or attached to the fuselage	<a href="#">B64D 27/08</a>
Aircraft characterised by gas-turbine type power plant within or attached to the fuselage	<a href="#">B64D 27/14</a>
Aircraft characterised by jet type power plant within or attached to the fuselage	<a href="#">B64D 27/20</a>
Aircraft characterized by construction of power-plant mounting	<a href="#">B64D 27/26</a>

**B64C 1/20**

**Definition statement**

Replace: The period with a semicolon at the end of the first line of the Definition statement.

- Aircraft floors specially adapted to freight by virtue of location, strength and/or shape(s);

## References

Delete: The entire Limiting references section.

Insert: The following new Informative references section.

### Informative references

*Attention is drawn to the following places, which may be of interest for search:*

Roller trays, Power Drive Units (PDU), clamping devices and other devices for moving and/or securing freight	<a href="#">B64D 9/003</a>
--	----------------------------

## B64C 1/22

Delete: The entire Relationships with other classification places section.

## References

Delete: The entire Limiting references section.

Insert: The following new Informative references section.

### Informative references

*Attention is drawn to the following places, which may be of interest for search:*

Cargo door type ramps	<a href="#">B64C 1/1415</a>
Equipment for handling freight in aircraft	<a href="#">B64D 9/00</a>

DATE: MAY 1, 2023

PROJECT MP10334

## B64C 1/38

### Definition statement

Insert: A period at the end of the Definition statement.

Cooling of the external fuselage skin.

Delete: The entire Relationships with other classification places section.

### References

Delete: The entire Limiting references section.

Insert: The following new Informative references section.

### Informative references

*Attention is drawn to the following places, which may be of interest for search:*

Insulation mats or blankets adjacent the fuselage skin	<a href="#">B64C 1/40</a>
Structures adapted to reduce effects of aerodynamic or other external heating on wings	<a href="#">B64C 3/36</a>
Cooling structural parts of aircraft with air from an air-treatment apparatus (e.g. environmental control system) in the aircraft	<a href="#">B64D 13/006</a>

## B64C 1/403

### References

Delete: The entire Limiting references section.

DATE: MAY 1, 2023

PROJECT MP10334

### Informative references

Insert: The following new reference in the Informative references section.

Clips for sound or heat insulation in vehicles in general	<a href="#">B60R 13/0206</a>
---	------------------------------

### B64C 1/406

### References

Delete: The entire Limiting references section.

Insert: The following new Informative references section.

### Informative references

*Attention is drawn to the following places, which may be of interest for search:*

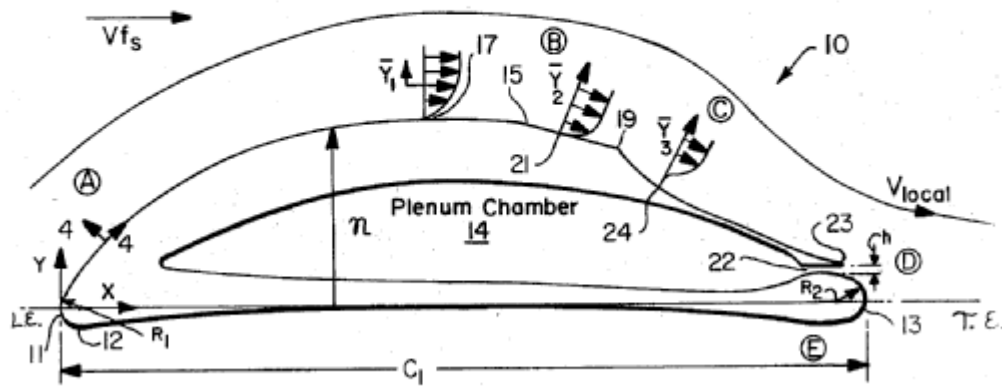
Arrangement of elements of electric or fluid circuits specially adapted for vehicles in general	<a href="#">B60R 16/00</a>
Supports for pipes, cables or protective tubing	<a href="#">F16L 3/00</a>
Installations of electric cables or lines in vehicles	<a href="#">H02G 3/00</a>

### B64C 3/141

### Definition statement

Replace: The existing Definition statement text and image with the following updated text and image.

Illustrative example of subject matter classified in this group:



99

**B64C 3/182**

Delete: The entire Relationships with other classification places section.

Delete: The entire Synonyms and Keywords section.

Insert: The following new Informative references section.

**References**

**Informative references**

*Attention is drawn to the following places, which may be of interest for search:*

Stringers or longerons for fuselages	<a href="#">B64C 1/064</a>
--------------------------------------	----------------------------

**B64C 3/36**

Delete: The entire Relationships with other classification places section.



DATE: MAY 1, 2023

PROJECT MP10334

## References

Delete: The entire Limiting references section.

Insert: The following new Informative references section.

### Informative references

*Attention is drawn to the following places, which may be of interest for search:*

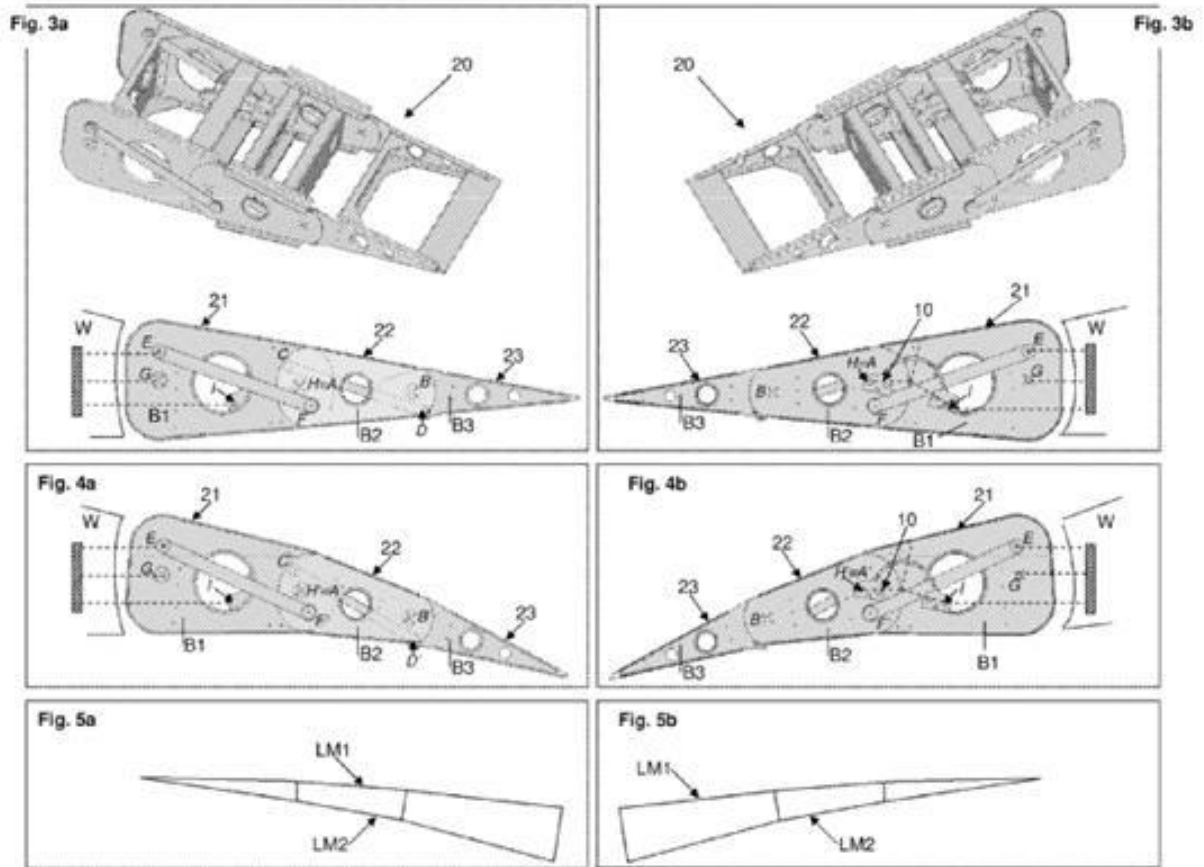
Constructions adapted to reduce effects of aerodynamic or other external heating of fuselage	<a href="#">B64C 1/38</a>
Cooling structural parts of aircraft with air from an air-treatment apparatus (e.g. environmental control system) in the aircraft	<a href="#">B64D 13/006</a>

### [B64C 3/48](#)

### Definition statement

Replace: The existing text with the following updated text.

Illustrative example of variation of camber by movable elements:



Replace: The existing text with the following updated text.

This subgroup also includes documents where additionally wing skins are elastic (morphing; see also Glossary of Terms):

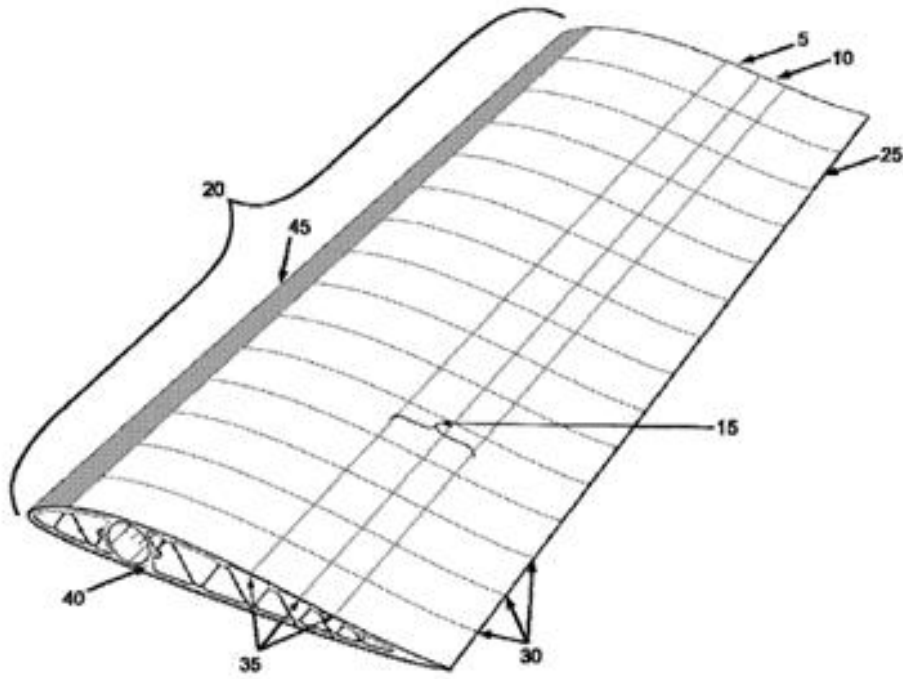


FIG. 1a

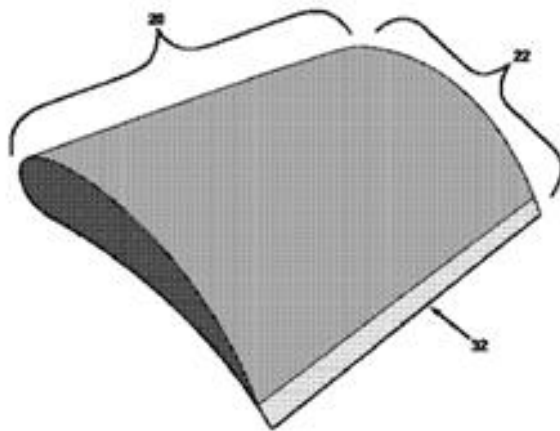


FIG. 1b

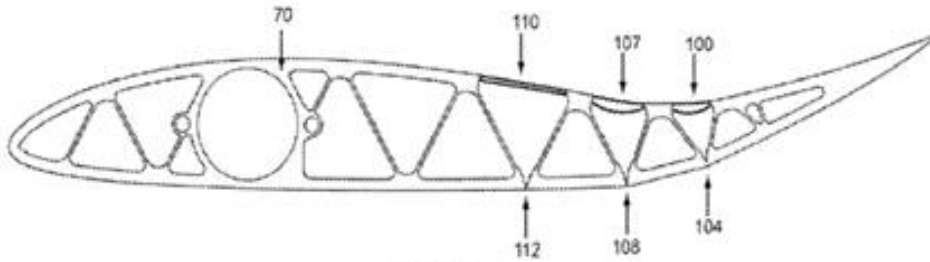


FIG. 3b

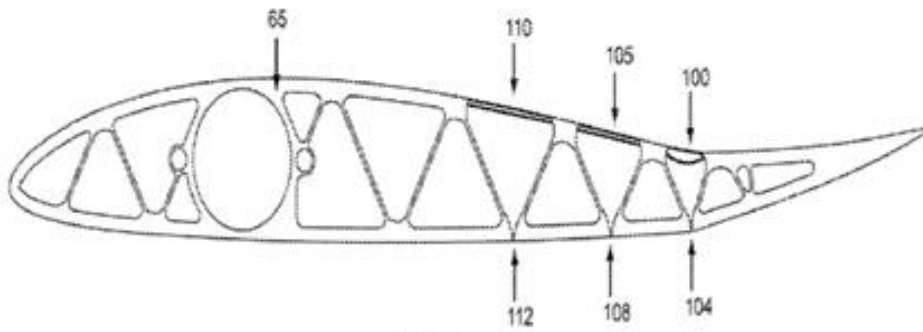


FIG. 3c

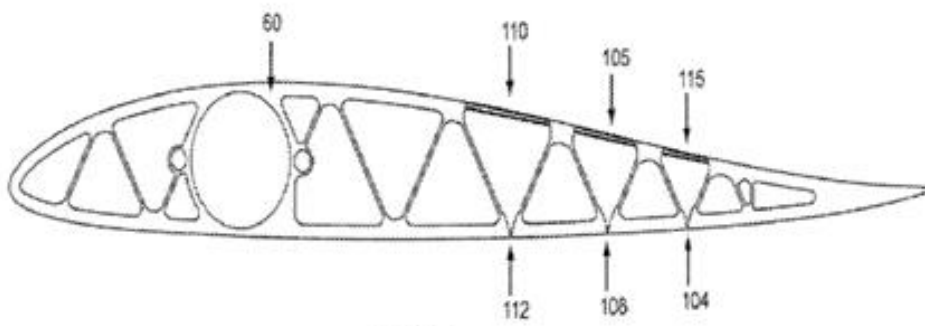


FIG. 3d

DATE: MAY 1, 2023

PROJECT MP10334

## References

Delete: The entire Limiting references section.

Insert: The following new Informative references section.

### Informative references

*Attention is drawn to the following places, which may be of interest for search:*

Connection of valves to elastic bodies	<a href="#">B60C 29/00</a>
Movable wing elements for deicing only	<a href="#">B64D 15/16</a> , <a href="#">B64D 15/163</a>
Inflatable elements for deicing only (e.g. inflatable leading edge boots)	<a href="#">B64D 15/166</a>

[B64C 3/546](#)

### Definition statement

Replace: The existing Definition statement text with the following updated text.

Folding wings or elements thereof to provide variable aerodynamic lift.

Illustrative example of subject matter classified in this group:

## References

Delete: The entire Limiting references section.

Insert: The following new Informative references section.

### Informative references

*Attention is drawn to the following places, which may be of interest for search:*

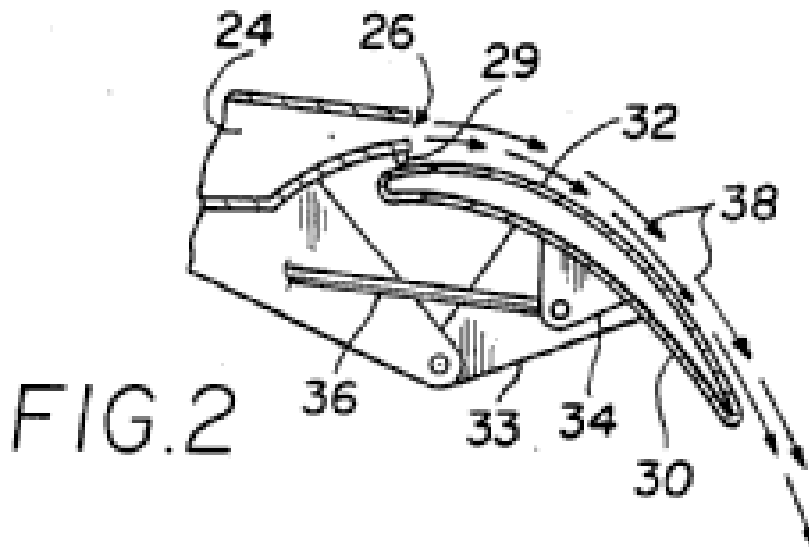
Folding wings or elements for reducing dimensions for storage purposes	B64C 3/56
--	-----------

**B64C 9/38**

### Definition statement

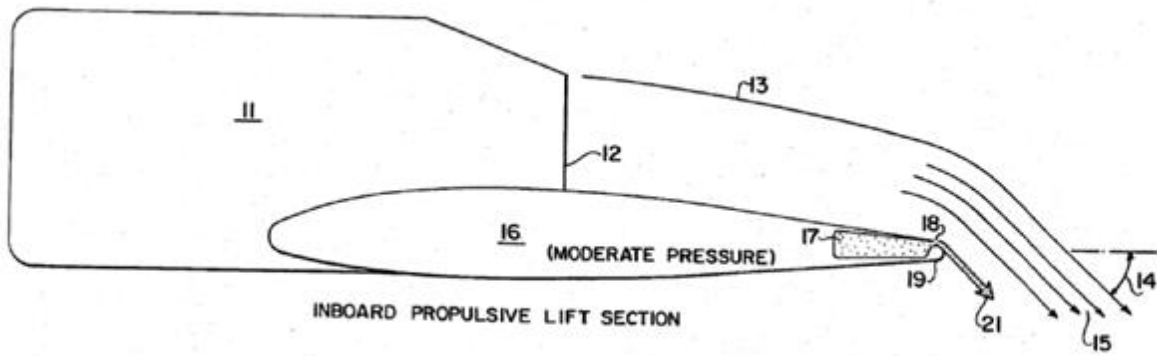
Replace: The existing text with the following updated text.

Illustrative examples of jet flaps:



Delete: The following text from the Definition statement.

Example (US 4398687):



**B64C 11/008**

**References**

Delete: The entire Limiting references section.

Insert: The following new Informative references section.

**Informative references**

*Attention is drawn to the following places, which may be of interest for search:*

Vibration damping devices for rotorcraft	<a href="#">B64C 27/001</a>
--	-----------------------------

DATE: MAY 1, 2023

PROJECT MP10334

**B64C 25/38**

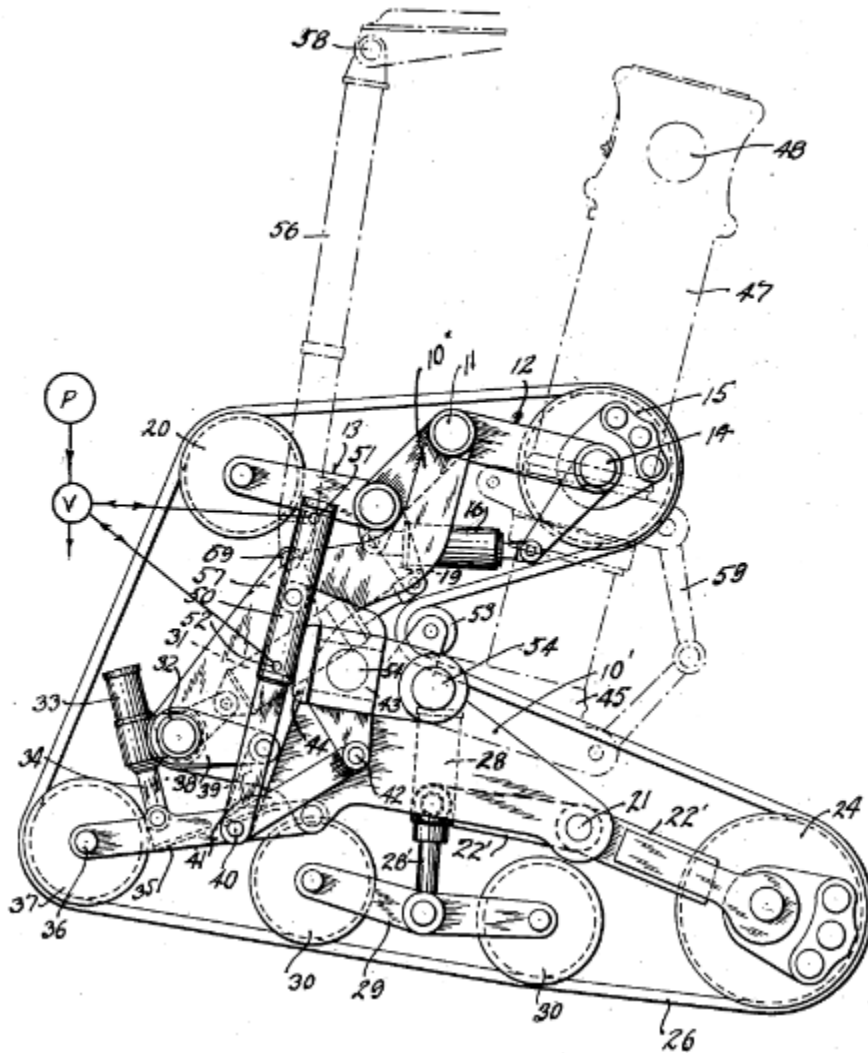
**Definition statement**

Insert: The following new text in the Definition statement.

Illustrative example of endless-track type ground-engaging element:

Replace: The existing image with the following updated image.





**B64C 25/423**

**References**

Delete: The entire Limiting references section.

Insert: The following new Informative references section.

DATE: MAY 1, 2023

PROJECT MP10334

**Informative references***Attention is drawn to the following places, which may be of interest for search:*

Using rockets	<a href="#">B64D 27/023</a>
Thrust reversers	<a href="#">B64D 33/04</a>

**Special rules of classification**Replace: The existing Special rules text with the following updated text.

Originally meant for covering, e.g. thrust reversers, it is no longer used in this respect.

Thrust reversers shall not be classified in this group.

**B64C 27/001****References**Delete: The entire Limiting references section.Insert: The following new Informative references section.**Informative references***Attention is drawn to the following places, which may be of interest for search:*

Rotor blade tips	<a href="#">B64C 27/463</a>
Blade adjustment mechanism including flaps mounted on blades	<a href="#">B64C 27/615</a>
Means acting on blades for blade adjustment	<a href="#">B64C 27/72</a>

DATE: MAY 1, 2023

PROJECT MP10334

## **B64C 27/467**

### **References**

Delete: The entire Limiting references section.

Insert: The following new Informative references section.

#### **Informative references**

*Attention is drawn to the following places, which may be of interest for search:*

Rotor blade tips	<a href="#">B64C 27/463</a>
------------------	-----------------------------

## **B64C 27/473**

Delete: The entire Relationships with other classification places section.

### **References**

Delete: The entire Limiting references section.

Insert: The following new Informative references section.

#### **Informative references**

*Attention is drawn to the following places, which may be of interest for search:*

Constructional features of propeller blades	<a href="#">B64C 11/20</a>
Rotor blade tips	<a href="#">B64C 27/463</a>
Rotors for wind motors	<a href="#">F03D</a>

DATE: MAY 1, 2023

PROJECT MP10334

**B64C 27/52****References**Insert: The following new Informative references section.**Informative references***Attention is drawn to the following places, which may be of interest for search:*

With forward-propulsion propellers pivotable to act as lifting rotors	<a href="#">B64C 27/28</a>
Mechanisms for controlling blade adjustment or movement relative to rotor head	<a href="#">B64C 27/54</a>
VTOL aircraft	<a href="#">B64C 29/00</a>

**B64C 27/72****References**Delete: The entire Limiting references section.Insert: The following new Informative references section.**Informative references***Attention is drawn to the following places, which may be of interest for search:*

Individual rotor blade control using flaps on the blades	<a href="#">B64C 27/615</a>
--	-----------------------------

**B64C 31/028****Definition statement**

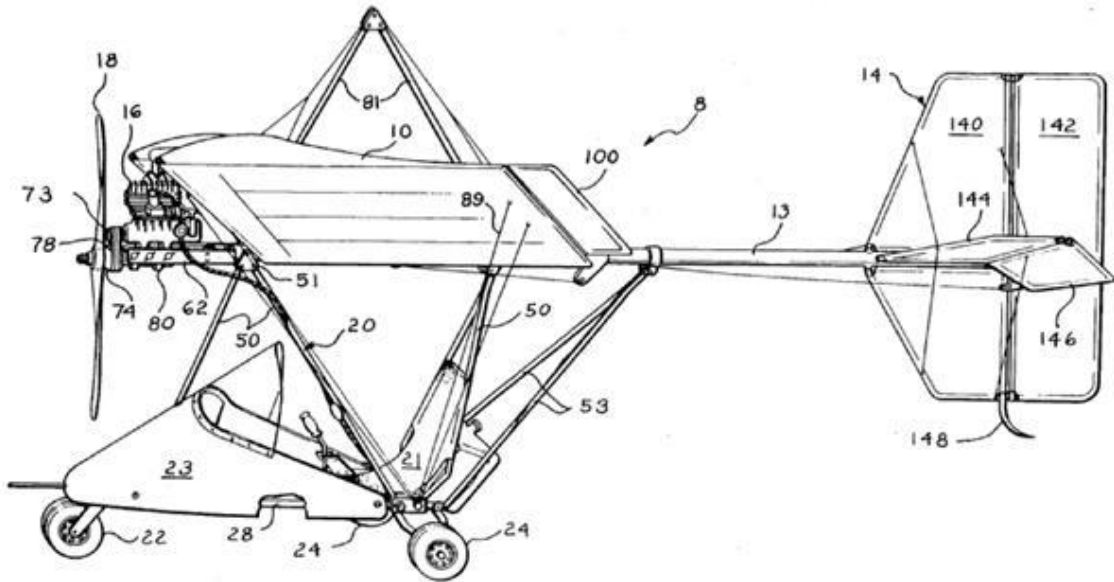
DATE: MAY 1, 2023

PROJECT MP10334

Replace: The existing text with the following updated text in the Definition statement.

Hang-glider-type aircraft; Microlight-type aircraft, i.e. mainly very simple and light, powered single or two-seat aircraft with an open frame fuselage, but also covers light, single or two-seat aircraft when the emphasis is on low weight and simplicity, and/or when described as an "ultralight", "microlight" or "light sport aircraft".

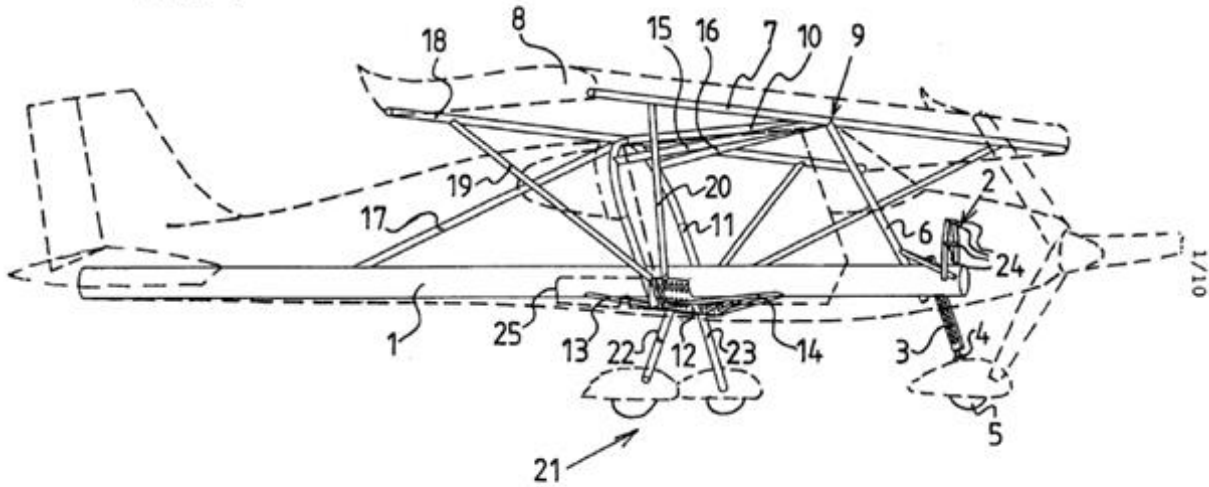
Illustrative examples of subject matter classified in this group:



Delete: The following text from the Definition statement.

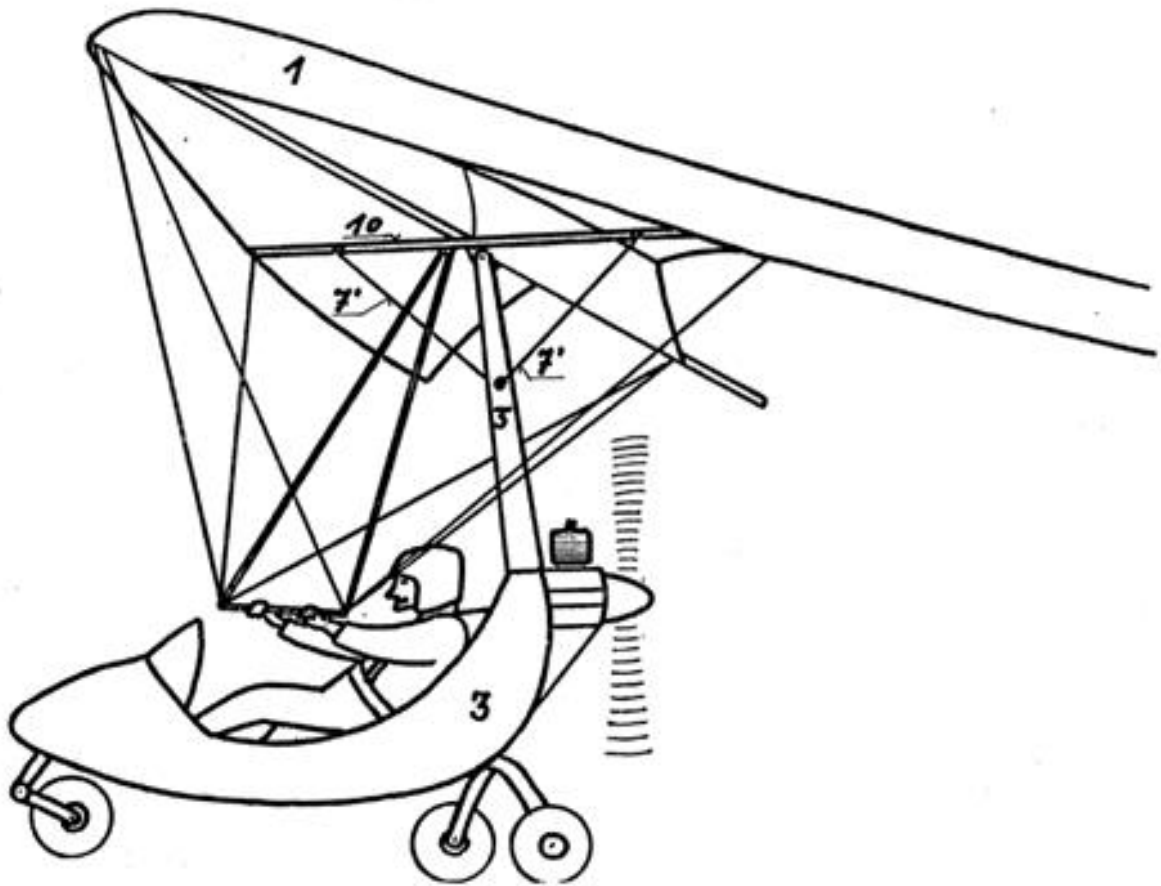
Example (WO2004094228):

FIG. 1



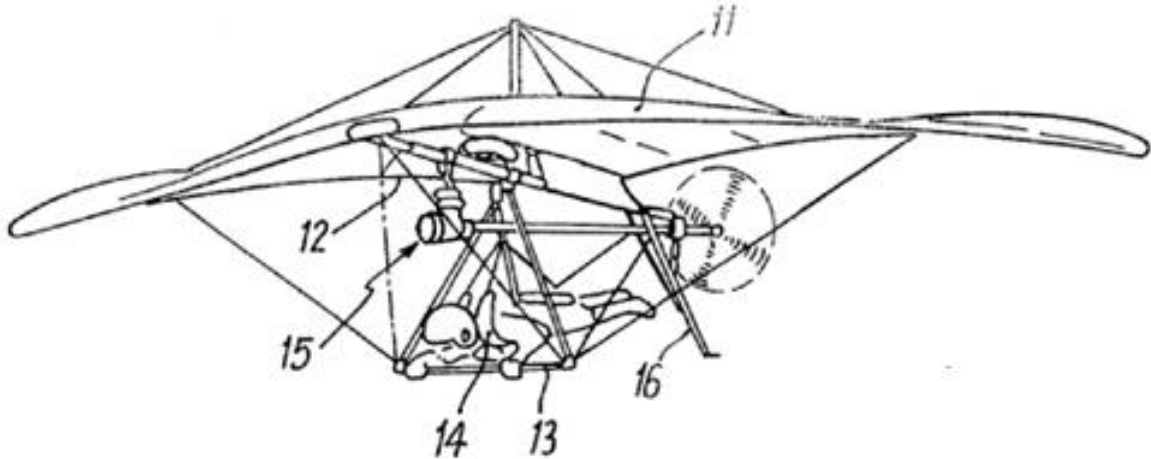
Replace: The existing text with the following updated text.

Example of "trike" or weight-shift controlled microlight:



Replace: The existing text with the following updated text.

Example of powered hang-glider:



Delete: The entire Limiting references section.

Delete: The entire Informative references section.

Delete: The entire Special rules section.

### **Synonyms and Keywords**

*In patent documents, the following abbreviations are often used:*

ULM	Avion ultra-léger motorisé
-----	----------------------------

Replace: The bulleted text in the Synonyms and Keywords section with the following updated text.

*In patent documents, the following words/expressions are often used as synonyms:*

- "ultralight aircraft", "light sport aircraft", "microlight aircraft" and "Ultraleichtflugzeug"(German)
- "trike"(English, German), "weight-shift control" and "gewichtskraftgesteuert" (German)



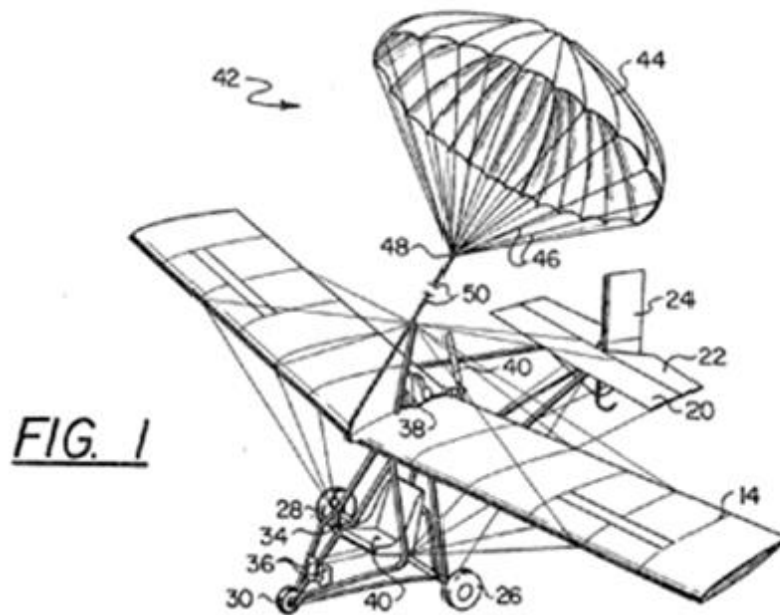
**B64C 31/0285**

**Definition statement**

Replace: The existing text and image with the following updated text and image.

For example (ballistic) parachute rescue systems specially adapted to microlight aircraft or hang-gliders.

Illustrative example of subject matter classified in this group:



Delete: The entire Relationships with other classification places section.

Insert: The following new Informative references section.

## References

### Informative references

Attention is drawn to the following places, which may be of interest for search:

Ejectable capsules	<a href="#">B64D 25/12</a>
--------------------	----------------------------

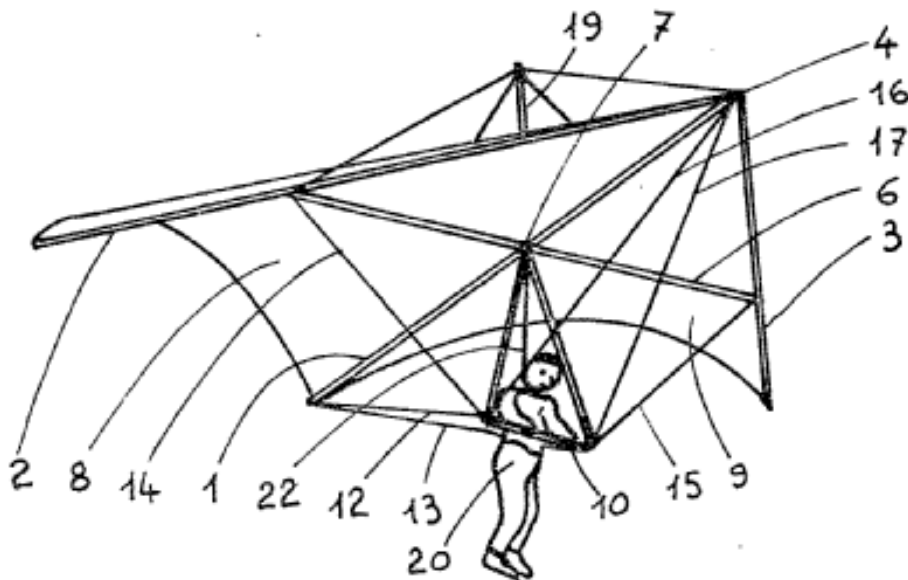
### B64C 31/032

#### Definition statement

Replace: The existing text with the following updated text.

Mainly unpowered hang-gliders with rigid, delta-shaped wings of the "Rogallo"-type.

Illustrative example of a delta-shaped wing:



Also covers powered, microlight aircraft when comprising details of such wings.

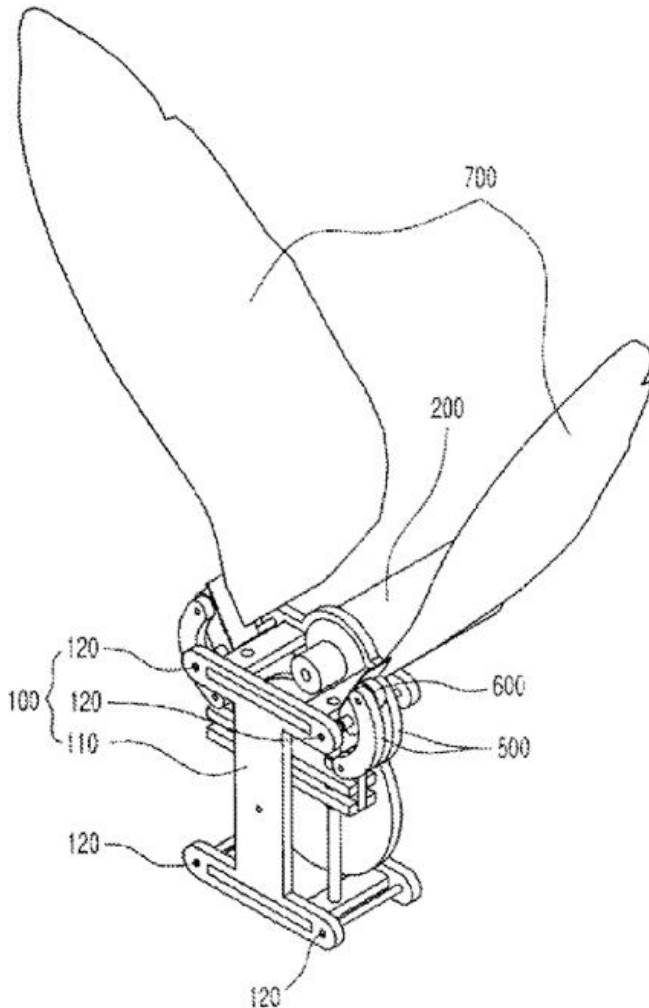
Delete: The entire Informative references section.

## B64C 33/02

### Definition statement

Replace: The existing text and image with the following updated text and image.

Illustrative example of ornithopter wings and actuating mechanism therefor:



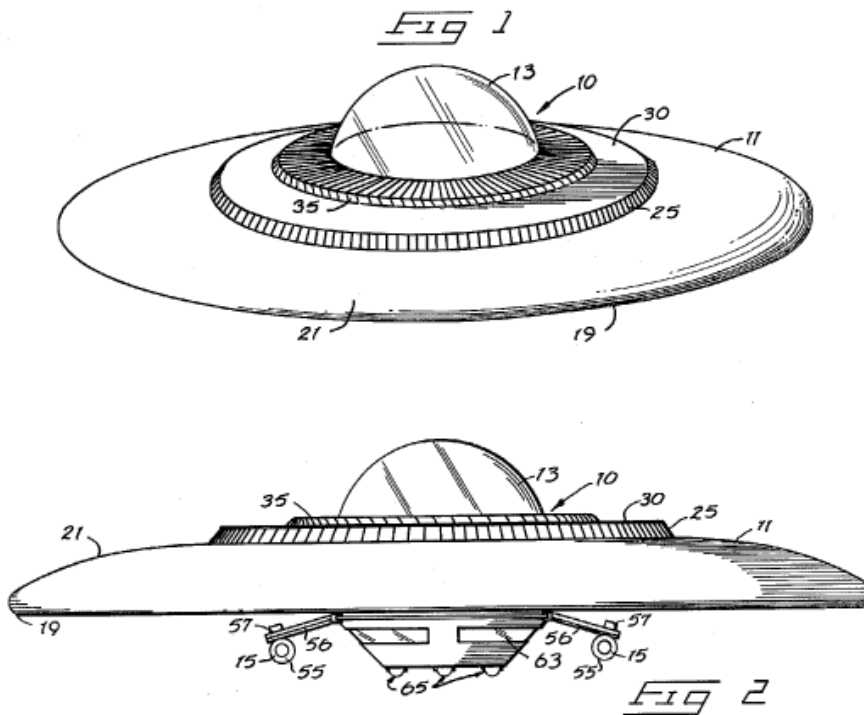
**B64C 39/001**

**Definition statement**

Replace: The existing text with the following updated text and image.

Flying vehicles characterised by sustainment without aerodynamic lift, engine thrust or buoyant gas. Lifting arrangements which violate the laws of physics, e.g. closed-loop systems.

Illustrative example of a flying saucer:



DATE: MAY 1, 2023

PROJECT MP10334

## References

Replace: The existing Informative references table with the following updated table.

### Informative references

*Attention is drawn to the following places, which may be of interest for search:*

Rotorcraft characterized by having shrouded rotors, e.g. flying platforms	<a href="#">B64C27/20</a>
Aircraft having disc or ring-shaped wings	<a href="#">B64C 39/06</a>
Aircraft having annular wings with radial airflow	<a href="#">B64C 39/064</a>
Inertia motors	<a href="#">F03G</a>

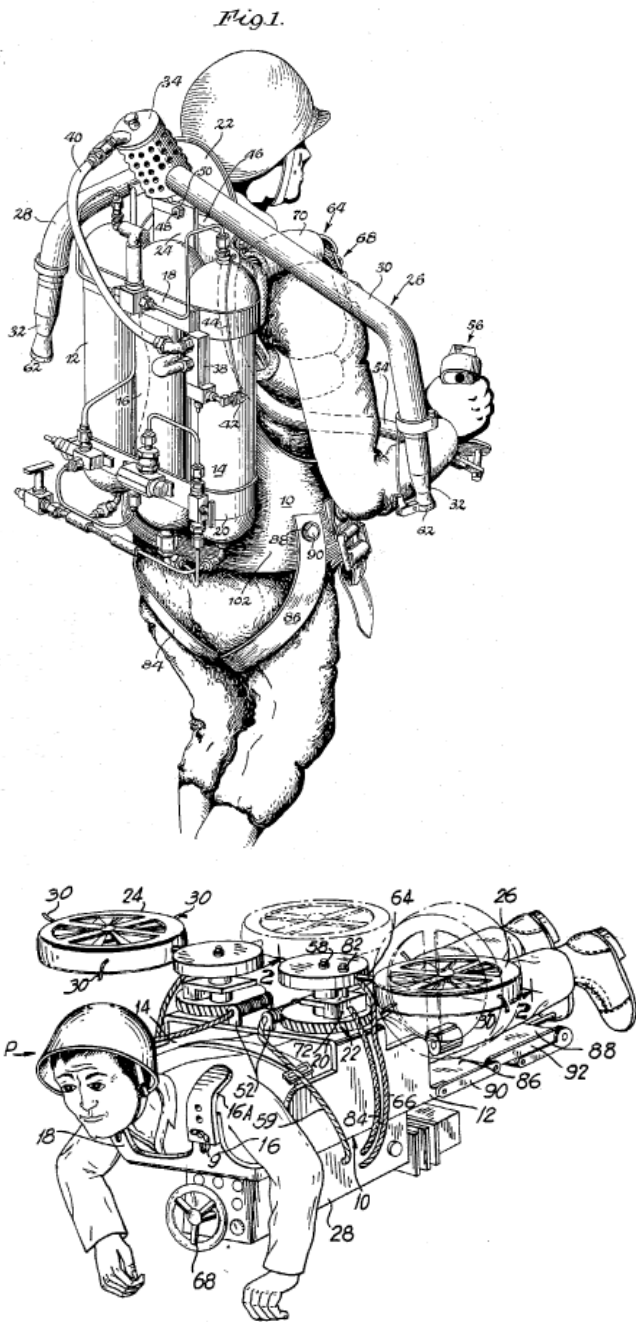
## B64C 39/026

### Definition statement

Replace: The existing text with the following updated text and images.

Devices including rotors, wings, propellers, turbojets to be "worn" by a user.

Illustrative examples of subject matter classified in this group:



Delete: The entire Relationships with other classification places section.

DATE: MAY 1, 2023

PROJECT MP10334

## References

Delete: The entire References out of a residual place section.

Insert: The following new Informative references section.

### Informative references

*Attention is drawn to the following places, which may be of interest for search:*

Sports garments, e.g. for skydiving	<a href="#">A41D 13/0015</a>
Power-driven personal watercraft for hydroflight sports	<a href="#">B63B 34/15</a>
Ornithopters	<a href="#">B64C 33/00</a>
Parachutes	<a href="#">B64D 17/00</a>
Rotary wing parachutes	<a href="#">B64D 19/02</a>

## B64C 39/06

### Definition statement

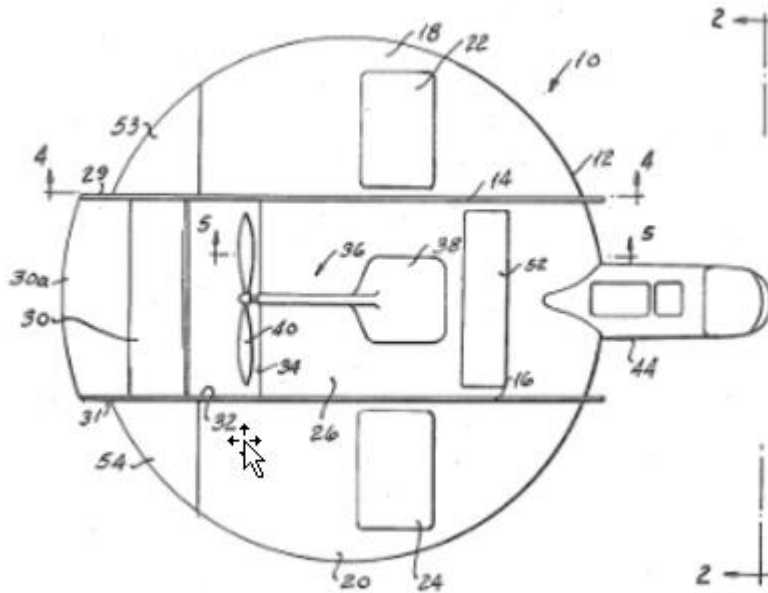
*This place covers:*

Illustrative example of subject matter classified in this group:

Replace: The existing image with the following updated image.

DATE: MAY 1, 2023

PROJECT MP10334



Delete: The entire Relationships with other classification places section.

### References

Delete: The entire Limiting references section.

Insert: The following new Informative references section.

### Informative references

*Attention is drawn to the following places, which may be of interest for search:*

Aircraft capable of landing or taking-off vertically, having its flight directional axis vertical when grounded	<a href="#">B64C 29/02</a>
Flying saucers	<a href="#">B64C 39/001</a>

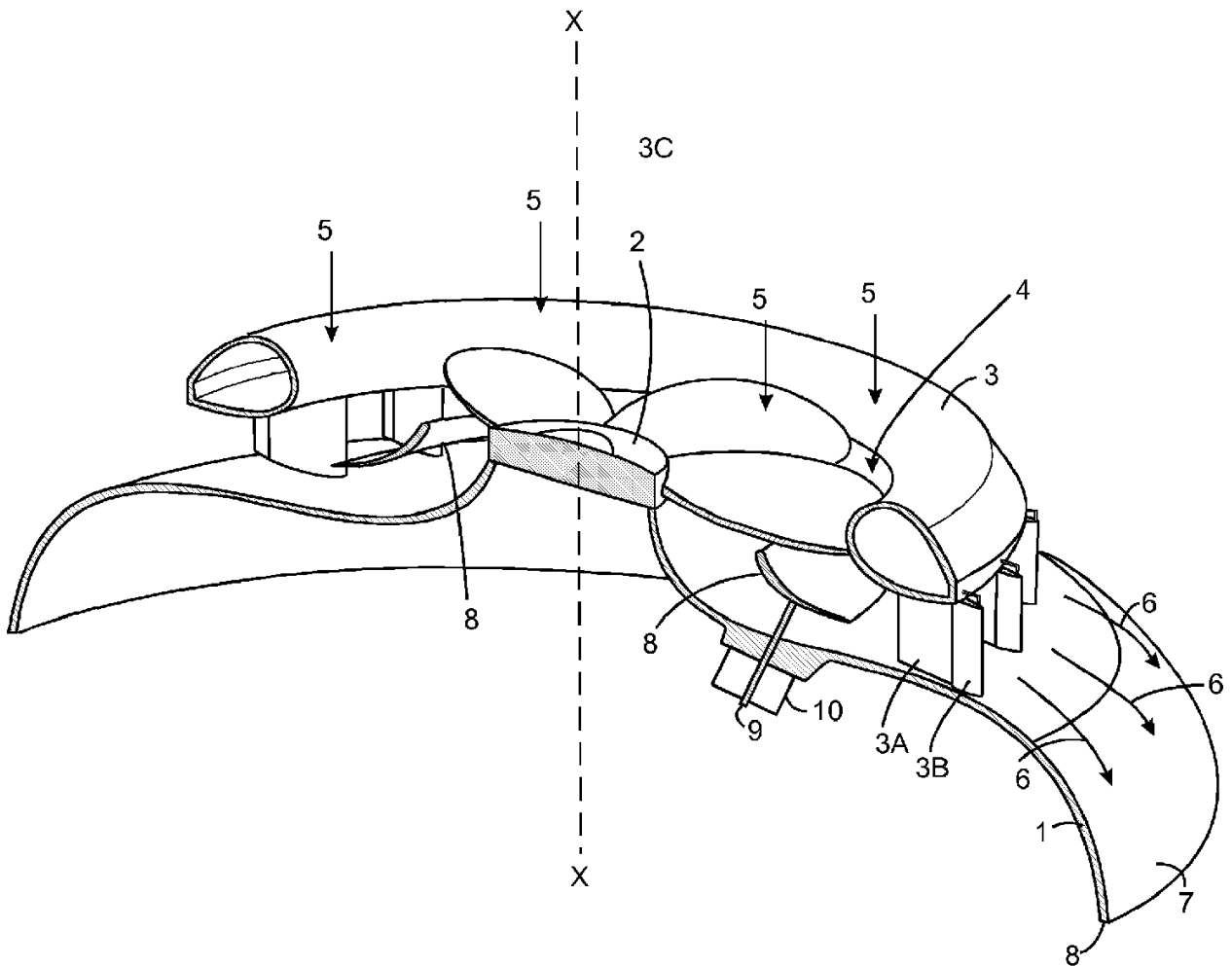


**B64C 39/064**

**Definition statement**

Replace: The existing text with the following updated text.

Illustrative example of annular wing with radial airflow:



Delete: The entire Relationships with other classification places section.

## References

Replace: The existing text in the Informative references table with the following updated text.

### Informative references

*Attention is drawn to the following places, which may be of interest for search:*

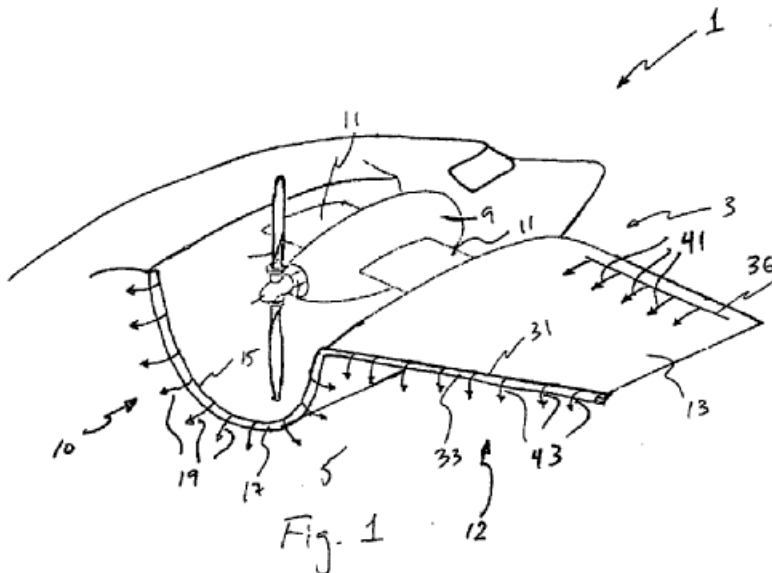
Flying saucers	<a href="#">B64C 39/001</a>
----------------	-----------------------------

### B64C 39/066

### Definition statement

Replace: The existing text and image with the following updated text and image.

Illustrative example of channel wings:



Delete: The entire Relationships with other classification places section.

DATE: MAY 1, 2023

PROJECT MP10334

## References

Insert: The following new Informative references section.

### Informative references

*Attention is drawn to the following places, which may be of interest for search:*

Frontal shape of wings	<a href="#">B64C 3/16</a>
------------------------	---------------------------

## B64C 39/068

### Definition statement

Replace: The existing text and image with the following updated text and image.

Illustrative example of multiple wings joined at the tips:

DATE: MAY1, 2023

PROJECT MP10334

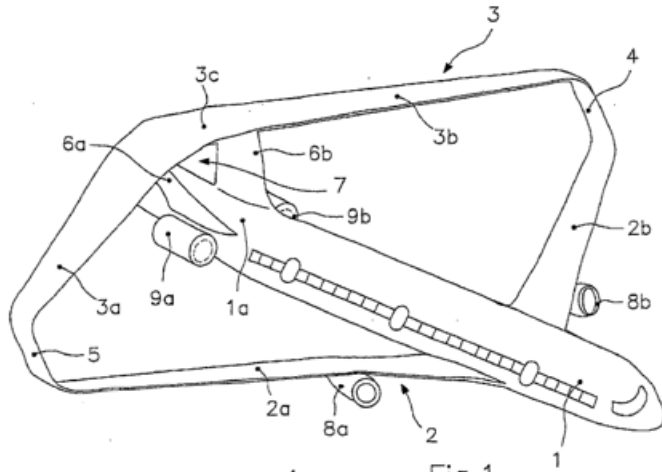


Fig.1

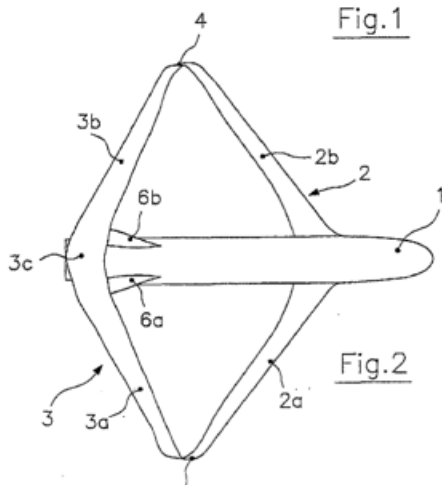


Fig.2

Delete: The entire Relationships with other classification places section.

## References

Insert: The following new Informative references section.

### Informative references

*Attention is drawn to the following places, which may be of interest for search:*

Frontal shape of wings	B64C 3/16
------------------------	-----------

DATE: MAY 1, 2023

PROJECT MP10334

**B64C 39/10**

**References**

Delete: The entire Limiting references section.

Insert: The following new Informative references section.

**Informative references**

*Attention is drawn to the following places, which may be of interest for search:*

Flying saucers	B64C 39/001
----------------	-------------

CPC NOTICE OF CHANGES 1420

DATE: MAY 1, 2023

PROJECT MP10334

2. B. DEFINITIONS QUICK FIX

Symbol	Location of change (e.g., section title)	Existing reference symbol or text	Action; New symbol; New text
B64C 29/0025			Delete the entire Definition.
B64C 29/0033			Delete the entire Definition.

**Notes:**

Use this Definitions Quick Fix (DQF) table to:

- Delete an entire definition
- Delete an entire section
- Change a reference symbol
- Delete a reference symbol
- Delete text in a References section
- Correct one error in spelling, article use, or verb tense

Otherwise, use the standard template.

*Reminder: Never delete F symbol definitions.*

CPC NOTICE OF CHANGES 1420

DATE: MAY 1, 2023

PROJECT MP10334

4. CHANGES TO THE CPC-TO-IPC CONCORDANCE LIST (CICL)

<u>CPC</u>	<u>IPC</u>	<u>Action*</u>
B64C 2039/105	B64C 39/10	UPDATED
B64C 25/405	B64C 25/32	UPDATED

\*Action column:

- For an (N) or (Q) entry, provide an IPC symbol and complete the Action column with "NEW."
- For an existing CPC main trunk entry or indexing entry where the existing IPC symbol needs to be changed, provide an updated IPC symbol and complete the Action column with "UPDATED."
- For a (D) CPC entry or indexing entry complete the Action column with "DELETE." IPC symbol does not need to be included in the IPC column.
- For an (N) 2000 series CPC entry which is positioned within the main trunk scheme (breakdown code) provide an IPC symbol and complete the action column with "NEW".
- For an (N) 2000 series CPC entry positioned at the end of the CPC scheme (orthogonal code), with no IPC equivalent, complete the IPC column with "CPCONLY" and complete the action column with "NEW".

NOTES:

- F symbols are not included in the CICL table above.
- T and M symbols are not included in the CICL table above unless a change to the existing IPC is desired.