

EUROPEAN PATENT OFFICE  
U.S. PATENT AND TRADEMARK OFFICE

CPC NOTICE OF CHANGES 1424

DATE: MAY 1, 2023

PROJECT RP11829

**The following classification changes will be effected by this Notice of Changes:**

<u>Action</u>	<u>Subclass</u>	<u>Group(s)</u>
<b>SCHEME:</b>		
Symbols Deleted:	G01J	2004/001, 2004/002, 2004/004, 2004/005, 2004/007, 2004/008
Titles Changed:	G01J	4/00
<b>DEFINITIONS:</b>		
Definitions New:	G01J	5/021, 5/022, 5/027, 5/0295, 5/047, 5/049, 5/068, 5/28, 5/46, 5/70
Definitions Modified:	G01J	4/00
	G01J	5/02, 5/03, 5/05

**No other subclasses/groups are impacted by this Notice of Changes.**

**This Notice of Changes includes the following [Check the ones included]:**

1. CLASSIFICATION SCHEME CHANGES

- A. New, Modified or Deleted Group(s)
- B. New, Modified or Deleted Warning(s)
- C. New, Modified or Deleted Note(s)
- D. New, Modified or Deleted Guidance Heading(s)

2. DEFINITIONS

- A. New or Modified Definitions (Full definition template)
- B. Modified or Deleted Definitions (Definitions Quick Fix)

3.  REVISION CONCORDANCE LIST (RCL)

4.  CHANGES TO THE CPC-TO-IPC CONCORDANCE LIST (CICL)

5.  CHANGES TO THE CROSS-REFERENCE LIST (CRL)

DATE: MAY 1, 2023

PROJECT RP11829

## 1. CLASSIFICATION SCHEME CHANGES

A. New, Modified or Deleted Group(s)**SUBCLASS G01J - MEASUREMENT OF INTENSITY, VELOCITY, SPECTRAL CONTENT, POLARISATION, PHASE OR PULSE CHARACTERISTICS OF INFRA-RED, VISIBLE OR ULTRA-VIOLET LIGHT; COLORIMETRY; RADIATION PYROMETRY**

<u>Type*</u>	<u>Symbol</u>	<u>Indent Level Number of dots (e.g. 0, 1, 2)</u>	<u>Title</u> “CPC only” text should normally be enclosed in {curly brackets}**	<u>Transferred to<sup>#</sup></u>
M	G01J4/00	0	Measuring polarisation of light	
D	G01J2004/001	1	{Devices }	<administrative transfer to G01J4/04>
D	G01J2004/002	2	{Selecting polarisation direction }	<administrative transfer to G01J4/04>
D	G01J2004/004	3	{sequential, i.e. time-divided }	<administrative transfer to G01J4/04>
D	G01J2004/005	3	{simultaneous, i.e. space-divided }	<administrative transfer to G01J4/02>
D	G01J2004/007	3	{Mechanical mounting }	<administrative transfer to G01J4/04>
D	G01J2004/008	1	{Polarisation rate }	<administrative transfer to G01J4/04>

\*N = new entries where reclassification into entries is involved; C = entries with modified file scope where reclassification of documents from the entries is involved; Q = new entries which are firstly populated with documents via administrative transfers from deleted (D) entries. Afterwards, the transferred documents into the Q entry will either stay or be moved to more appropriate entries, as determined by intellectual reclassification; T = existing entries with enlarged file scope, which receive documents from C or D entries, e.g. when a limiting reference is removed from the entry title; M = entries with no change to the file scope (no reclassification); D = deleted entries; F = frozen entries will be deleted once reclassification of documents from the entries is completed; U = entries that are unchanged.

## NOTES:

- \*\*No {curly brackets} are used for titles in CPC only subclasses, e.g. C12Y, A23Y; 2000 series symbol titles of groups found at the end of schemes (orthogonal codes); or the Y section titles. The {curly brackets} are used for 2000 series symbol titles found interspersed throughout the main trunk schemes (breakdown codes).
- U groups: it is obligatory to display the required “anchor” symbol (U group), i.e. the entry immediately preceding a new group or an array of new groups to be created (in case new groups are not clearly subgroups of C-type groups). Always include the symbol, indent level and title of the U group in the table above.
- All entry types should be included in the scheme changes table above for better understanding of the overall scheme change picture. Symbol, indent level, and title are required for all types.
- “Transferred to” column must be completed for all C, D, F, and Q type entries. F groups will be deleted once reclassification is completed.
- When multiple symbols are included in the “Transferred to” column, avoid using ranges of symbols in order to be as precise as possible.
- For administrative transfer of documents, the following text should be used: “<administrative transfer to XX>”, “<administrative transfer to XX and YY simultaneously>”, or “<administrative transfer to XX, YY, ...and ZZ simultaneously>” when administrative transfer of the same documents is to more than one place.

CPC NOTICE OF CHANGES 1424

DATE: MAY 1, 2023

PROJECT RP11829

- Administrative transfer to main trunk groups is assumed to be the source allocation type, unless otherwise indicated.
- Administrative transfer to 2000/Y series groups is assumed to be “additional information”.
- If needed, instructions for allocation type should be indicated within the angle brackets using the abbreviations “ADD” or “INV”: <administrative transfer to XX ADD>, <administrative transfer to XX INV>, or <administrative transfer to XX ADD, YY INV, ... and ZZ ADD simultaneously>.
- In certain situations, the “D” entries of 2000-series or Y-series groups may not require a destination (“Transferred to”) symbol, however it is required to specify “<no transfer>” in the “Transferred to” column for such cases.
- For finalization projects, the deleted “F” symbols should have <no transfer> in the “Transferred to” column.
- For more details about the types of scheme change, see CPC Guide.

DATE: MAY 1, 2023

PROJECT RP11829

## 2. A. DEFINITIONS (new)

Insert: The following new Definitions.

### G01J 5/021

#### References

#### Informative references

*Attention is drawn to the following places, which may be of interest for search:*

Ear thermometers	<a href="#">G01J5/0011</a>
Casings for tympanic thermometers	<a href="#">G01J5/049</a>

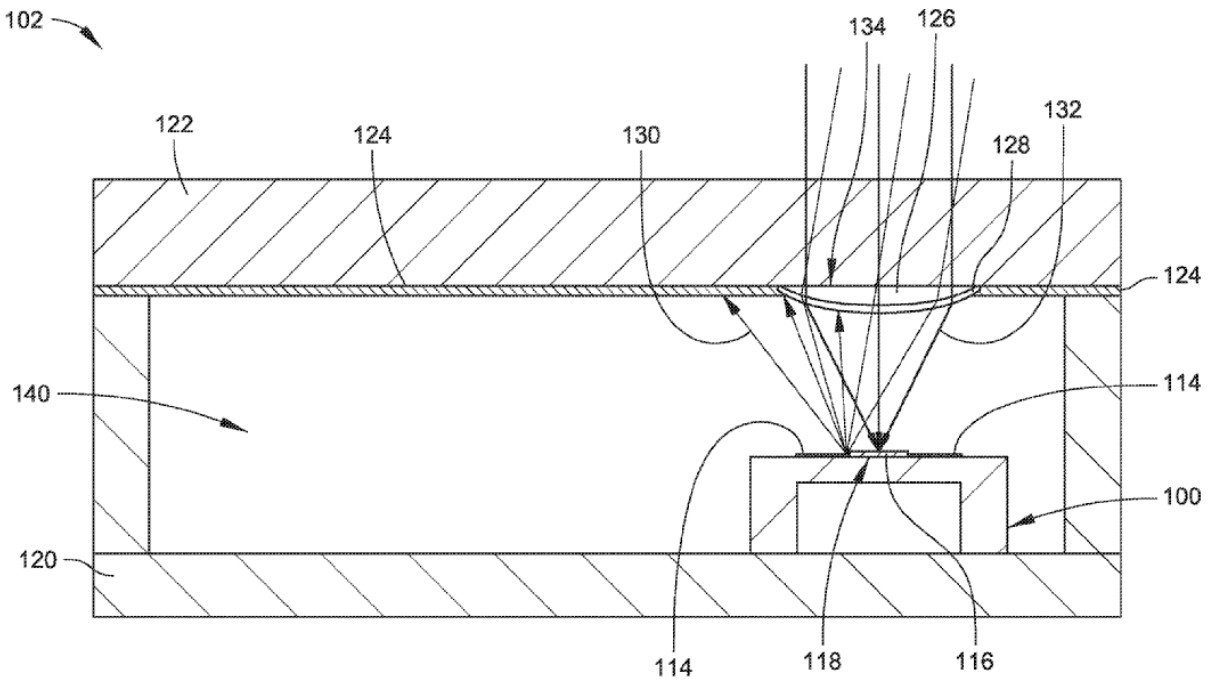
### G01J 5/022

#### Definition statement

*This place covers:*

Compact devices in “one piece”, e.g. integration or encapsulation of optical and sensing elements within a package.

Illustrative example of subject-matter classified in this group:



**G01J 5/027**

**Definition statement**

*This place covers:*

Devices using sensor-related data during measurement or analysis. For instance, information obtained from bar codes, visual signatures, etc. on the optical elements is used to identify a specific component and its properties.

**G01J 5/0295**

**Definition statement**

*This place covers:*

Pyroelectric null detectors using electrical balancing by a null detection method.

DATE: MAY 1, 2023

PROJECT RP11829

## G01J 5/047

### Definition statement

*This place covers:*

Constructional details of mountings allowing for translational and/or rotational sensor movement, e.g. rails.

## G01J 5/049

### References

#### Informative references

*Attention is drawn to the following places, which may be of interest for search:*

Ear thermometers	<a href="#">G01J5/0011</a>
Probe covers for thermometers, e.g. tympanic thermometers; Containers for probe covers; Disposable probes	<a href="#">G01J5/021</a>

## G01J 5/068

### Definition statement

*This place covers:*

Constructional arrangements for compensation of fluctuations caused by non-temperature environmental parameters (e.g. humidity, pressure or electromagnetic waves); controlling the atmosphere inside a pyrometer.

DATE: MAY 1, 2023

PROJECT RP11829

## References

### Informative references

*Attention is drawn to the following places, which may be of interest for search:*

Passive compensation of pyrometer measurements, e.g. using ambient temperature sensing or sensing of temperature within housing	<a href="#">G01J5/70</a>
---	--------------------------

## G01J 5/28

### Definition statement

*This place covers:*

All aspects of photoemissive cells, i.e. light-sensitive gas-filled or vacuum tubes that operate on the basis of the photoelectric effect, and photovoltaic cells generating voltage when light strikes the junction between a metal and a semiconductor or a junction between two different semiconductors, e.g. photodiodes operating in the photovoltaic mode.

### Synonyms and Keywords

*In patent documents, the following words/expressions are often used as synonyms:*

- “photoemissive cells” and “phototubes”
- “photovoltaic mode” and “zero-bias mode”

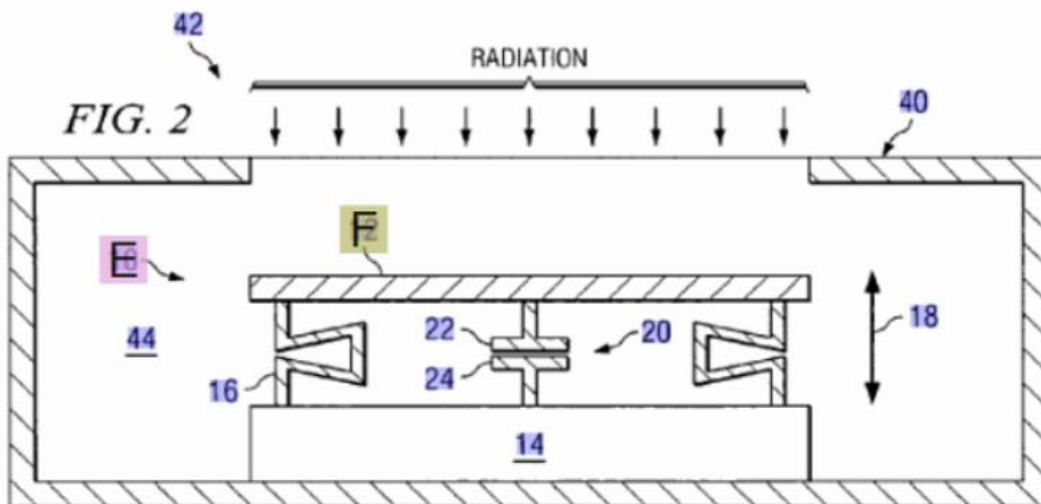
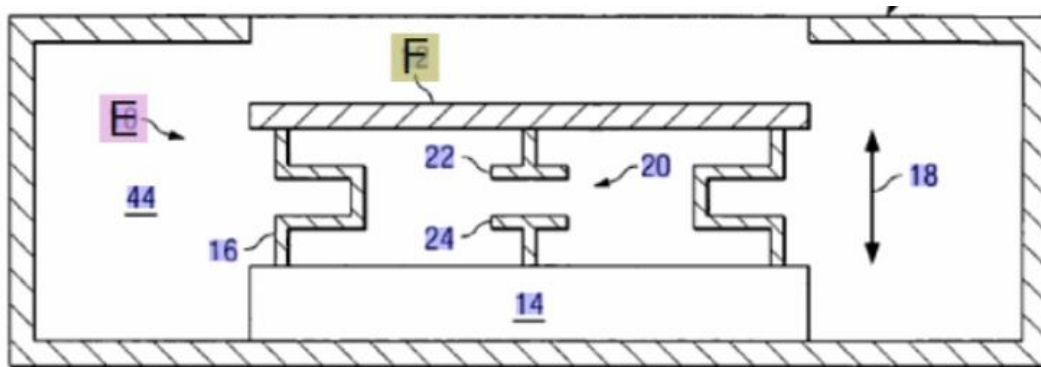
**G01J 5/46**

**Definition statement**

*This place covers:*

Radiometers measuring the radiant flux of radiation based on radiation pressure or the radiometer effect, e.g. light mills (Crookes radiometer), Nichols radiometer, MEMS radiometer.

Illustrative examples of subject-matter classified in this group:





DATE: MAY 1, 2023

PROJECT RP11829

## G01J 5/70

### Definition statement

*This place covers:*

Passive compensation using off-line or a posteriori calibration.

### References

#### Informative references

*Attention is drawn to the following places, which may be of interest for search:*

Ambient temperature sensor; Housing temperature sensor; Constructional details thereof	<a href="#">G01J5/064</a>
Constructional arrangements for compensation of fluctuations from humidity or other non-temperature environmental parameters	<a href="#">G01J5/068</a>

## 2. A. DEFINITIONS (modified)

### G01J 4/00

#### Relationships with other classification places

Replace: The existing Relationships text with the following updated text.

Ellipsometric devices which send a selectable polarized light on a sample (active device) and detect afterwards the effect of the sample on the polarization state of the input light are classified in [G01N 21/211](#). Documents about ellipsometry may only be classified in [G01J](#) if they present special or unusual ways of detecting polarization on the detection side.

### G01J 5/02

#### Definition statement

Insert: The following new line of text as the last line of the Definition statement.

Details about the functioning of non-contact temperature detection devices and processors for controlling such devices, e.g. [G01J 5/026](#).

### G01J 5/03

Insert: The following new Definition statement.

#### Definition statement

*This place covers:*

Devices (circuitry, memory, display, etc.) pertaining to the recording and indicating of thermal data from thermoelectric elements, resistors, thermistors, photo-emissive and photo-voltaic cells, e.g. video recording, display of thermal color temperature.

DATE: MAY 1, 2023

PROJECT RP11829

## References

Insert: The following two new references in the Informative references table.

### Informative references

*Attention is drawn to the following places, which may be of interest for search:*

Power supply, reading and writing arrangements, and addressing arrangements of memories	G11C
Semiconductor devices for storage (e.g. memory arrays)	H01L 27/00

### G01J 5/05

Replace: The existing Definition statement text with the following updated text.

#### Definition statement

*This place covers:*

Means for prevention or determination of dirt, dust, smog, or clogging, e.g. from combustion taking place in furnaces, from disturbing radiation collection. This also includes cleaning optical elements before or during measurements.

CPC NOTICE OF CHANGES 1424

DATE: MAY 1, 2023

PROJECT RP11829

3. REVISION CONCORDANCE LIST (RCL)

<u>Type*</u>	<u>From CPC Symbol (existing)</u>	<u>To CPC Symbol(s)</u>
D	G01J 2004/001	<administrative transfer to G01J 4/04>
D	G01J 2004/002	<administrative transfer to G01J 4/04>
D	G01J 2004/004	<administrative transfer to G01J 4/04>
D	G01J 2004/005	<administrative transfer to G01J 4/02>
D	G01J 2004/007	<administrative transfer to G01J 4/04>
D	G01J 2004/008	<administrative transfer to G01J 4/04>

\* C = entries with modified file scope where reclassification of documents from the entries is involved; Q = new entries which are firstly populated with documents via administrative transfers from deleted (D) entries. Afterwards, the transferred documents into the Q entry will either stay or be moved to more appropriate entries, as determined by intellectual reclassification; D = deleted entries; F = frozen entries will be deleted once reclassification of documents from the entries is completed.

NOTES:

- Only C, D, F, and Q type entries are included in the table above.
- When multiple symbols are included in the “To” column, do not use ranges of symbols.
- For administrative transfer of documents, the following text should be used: “<administrative transfer to XX>”, “<administrative transfer to XX and YY simultaneously>”, or “<administrative transfer to XX, YY, ...and ZZ simultaneously>” when administrative transfer of the same documents is to more than one place.
- Administrative transfer to main trunk groups is assumed to be the source allocation type, unless otherwise indicated.
- Administrative transfer to 2000/Y series groups is assumed to be “additional information”.
- If needed, instructions for allocation type should be indicated within the angle brackets using the abbreviations “ADD” or “INV”: <administrative transfer to XX ADD>, <administrative transfer to XX INV>, or <administrative transfer to XX ADD, YY INV, ... and ZZ ADD simultaneously>.
- In certain situations, the “D” entries of 2000-series or Y-series groups may not require a destination (“To”) symbol, however it is required to specify “<no transfer>” in the “To” column for such cases.
- RCL is not needed for finalisation projects.

CPC NOTICE OF CHANGES 1424

DATE: MAY 1, 2023

PROJECT RP11829

4. CHANGES TO THE CPC-TO-IPC CONCORDANCE LIST (CICL)

<u>CPC</u>	<u>IPC</u>	<u>Action*</u>
G01J 2004/001		DELETE
G01J 2004/002		DELETE
G01J 2004/004		DELETE
G01J 2004/005		DELETE
G01J 2004/007		DELETE
G01J 2004/008		DELETE

\*Action column:

- For an (N) or (Q) entry, provide an IPC symbol and complete the Action column with “NEW.”
- For an existing CPC main trunk entry or indexing entry where the existing IPC symbol needs to be changed, provide an updated IPC symbol and complete the Action column with “UPDATED.”
- For a (D) CPC entry or indexing entry complete the Action column with “DELETE.” IPC symbol does not need to be included in the IPC column.
- For an (N) 2000 series CPC entry which is positioned within the main trunk scheme (breakdown code) provide an IPC symbol and complete the action column with “NEW”.
- For an (N) 2000 series CPC entry positioned at the end of the CPC scheme (orthogonal code), with no IPC equivalent, complete the IPC column with “CPCONLY” and complete the action column with “NEW”.

NOTES:

- F symbols are not included in the CICL table above.
- T and M symbols are not included in the CICL table above unless a change to the existing IPC is desired.