

EUROPEAN PATENT OFFICE  
U.S. PATENT AND TRADEMARK OFFICE

CPC NOTICE OF CHANGES 1478

DATE: AUGUST 1, 2023

PROJECT RP10483

**The following classification changes will be effected by this Notice of Changes:**

<b><u>Action</u></b>	<b><u>Subclass</u></b>	<b><u>Group(s)</u></b>
<b>SCHEME:</b>		
Symbols Deleted:	E04B	1/34357, 1/34368, 1/34373, 1/34378, 2001/34389, 2001/34394, 1/40, 2001/405, 1/54
Symbols New:	E04B	1/34312, 1/34317, 1/3449, 1/345, 1/3455, 1/388, 2001/389, 1/541
Titles Changed:	E04B	1/0023, 1/19, 2001/2644, 2001/2676, 1/32, 1/343, 1/34331, 1/34336, 1/34869, 1/41, 1/49, 1/6183, 1/74, 1/82
	E04B	2/74, 2/78
	E04B	5/12
	E04B	7/00, 7/02
	E04B	9/32, 9/34
	E05B	65/0817
	F16B	15/0023
Indents Changed:	E04B	1/34363, 1/41, 1/4107, 1/4114, 1/4121, 1/4128, 1/4135, 1/4142, 1/415, 1/4157, 1/4164, 1/4171, 1/4178, 1/4185, 2001/4192, 1/48, 1/483, 1/486, 1/49
Warnings New:	E04B	1/343, 1/34305, 1/34315, 1/34384, 1/344, 1/3441, 1/3442, 1/3444, 1/3445, 1/3447, 1/3448, 1/3449, 1/345, 1/3455
Guidance Headings New:	E04B	2103/00
<b>DEFINITIONS:</b>		
Definitions Deleted: (no frozen (F) symbol definitions should be deleted)	E04B	1/34357, 1/34368, 1/40, 1/54
	E04B	2/78
Definitions New:	E04B	2001/2644, 2001/2676, 1/3447, 1/3455, 1/388, 1/541
	E05B	65/0817
Definitions Modified:	E04B	1/0023, 1/18, 1/19, 1/32, 1/343, 1/34305, 1/3431, 1/34315, 1/34321, 1/34326, 1/34336, 1/3445, 1/3448, 1/34869, 1/41, 1/4178, 1/49, 1/58, 1/82

CPC NOTICE OF CHANGES 1478

DATE: AUGUST 1, 2023

PROJECT RP10483

<u>Action</u>	<u>Subclass</u>	<u>Group(s)</u>
	E04B	2/00, 2/74
	E04B	5/12
	E04B	7/00, 7/02, 7/022, 7/107
	E04B	9/32, 9/34

**No other subclasses/groups are impacted by this Notice of Changes.**

**This Notice of Changes includes the following [Check the ones included]:**

1. CLASSIFICATION SCHEME CHANGES

- A. New, Modified or Deleted Group(s)
- B. New, Modified or Deleted Warning(s)
- C. New, Modified or Deleted Note(s)
- D. New, Modified or Deleted Guidance Heading(s)

2. DEFINITIONS

- A. New or Modified Definitions (Full definition template)
- B. Modified or Deleted Definitions (Definitions Quick Fix)

3.  REVISION CONCORDANCE LIST (RCL)

4.  CHANGES TO THE CPC-TO-IPC CONCORDANCE LIST (CICL)

5.  CHANGES TO THE CROSS-REFERENCE LIST (CRL)

CPC NOTICE OF CHANGES 1478

DATE: AUGUST 1, 2023

PROJECT RP10483

1. CLASSIFICATION SCHEME CHANGES

A. New, Modified or Deleted Group(s)

**SUBCLASS E04B - GENERAL BUILDING CONSTRUCTIONS; WALLS, e.g. PARTITIONS; ROOFS; FLOORS; CEILINGS; INSULATION OR OTHER PROTECTION OF BUILDINGS**

<u>Type*</u>	<u>Symbol</u>	<u>Indent Level</u> <u>Number of</u> <u>dots (e.g. 0, 1,</u> <u>2)</u>	<u>Title</u> <u>“CPC only” text should normally be</u> <u>enclosed in {curly brackets}**</u>	<u>Transferred to#</u>
M	E04B1/0023	1	{Building characterised by incorporated canalisations (E04B 1/34869 takes precedence)}	
M	E04B1/19	2	Three-dimensional framework structures	
M	E04B2001/2644	4	{Brackets, gussets or joining plates}	
M	E04B2001/2676	4	{Connector nodes}	
M	E04B1/32	1	Arched structures; Vaulted structures; Folded structures ({E04B1/345 takes precedence;}; vaulted roofs E04B7/08)	
C	E04B1/343	1	Structures characterised by movable, separable, or collapsible parts, e.g. for transport (movable roof parts E04B7/16; floatable buildings B63B; small prefabricated buildings, transportable as a whole, E04H1/12; small garages E04H6/02; tents or canopies, in general E04H15/00)	E04B 1/343, E04B 1/34305, E04B 1/3431, E04B 1/34312, E04B 1/34315, E04B 1/34317, E04B 1/34321, E04B 1/34326, E04B 1/34331, E04B 1/34384, E04B 1/344, E04B 1/3441, E04B 1/3442, E04B 1/3444, E04B 1/3445, E04B 1/3447, E04B 1/3448, E04B 1/3449, E04B 1/345, E04B 1/3455
T	E04B1/34305	2	{telescopic}	
T	E04B1/3431	3	{with only one level of nesting}	
N	E04B1/34312	3	{Vertical telescopic structures}	
T	E04B1/34315	2	{characterised by separable parts}	
N	E04B1/34317	3	{Set of building elements forming a self-contained package for transport before assembly}	
T	E04B1/34321	3	{mainly constituted by panels}	
T	E04B1/34326	3	{mainly constituted by longitudinal elements}	
T	E04B1/34331	3	{mainly constituted by three-dimensional elements}	

## CPC NOTICE OF CHANGES 1478

DATE: AUGUST 1, 2023

## PROJECT RP10483

M	E04B1/34336	2	{Structures movable as a whole, e.g. mobile home structures (vehicles comprising living accommodation for people, e.g. caravans, camping or like vehicles B60P 3/32)}	
D	E04B1/34357	2	{Foldable or retractable structures}	<administrative transfer to E04B1/343>
M	E04B1/34363	2	{with provisions to raise or lower the whole structure}	
D	E04B1/34368	3	{Wheeled arch-type structures}	<administrative transfer to E04B1/3455>
D	E04B1/34373	4	{collapsible}	<administrative transfer to E04B1/3455>
D	E04B1/34378	3	{Structures deriving their rigidity from concertina folds}	<administrative transfer to E04B1/3449>
T	E04B1/34384	2	{Assembling details for foldable, separable, collapsible or retractable structures}	
D	E04B2001/34389	2	{Set of building elements forming a self-contained package for transport before assembly}	<administrative transfer to E04B1/34317>
D	E04B2001/34394	2	{Vertical telescopic structures}	<administrative transfer to E04B1/34312>
C	E04B1/344	2	with hinged parts	E04B1/344, E04B1/3449
T	E04B1/3441	3	{with articulated bar-shaped elements}	
C	E04B1/3442	3	{folding out from a core cell}	E04B1/3442, E04B1/3449
C	E04B1/3444	4	{with only lateral unfolding}	E04B1/3444, E04B1/3449
C	E04B1/3445	3	{foldable in a flat stack of parallel panels}	E04B1/3445, E04B1/3449
T	E04B1/3447	4	{Portal- or saddle-shaped structures}	
T	E04B1/3448	3	{with rotating shell-forming segments}	
Q	E04B1/3449	3	{with living hinge (E04B1/345 takes precedence)}	E04B1/345, E04B1/3449
N	E04B1/345	3	{Structures deriving their rigidity from concertina folds}	
N	E04B1/3455	2	{Wheeled arch-type structures}	
M	E04B1/34869	2	{Elements for special technical purposes, e.g. with a sanitary equipment}	
U	E04B1/38	1	Connections for building structures in general	
U	E04B2001/386	2	{Nailable or screwable inserts for foam panels}	
N	E04B1/388	2	{Separate connecting elements (Connecting devices specially adapted for embedding in	

CPC NOTICE OF CHANGES 1478

DATE: AUGUST 1, 2023

PROJECT RP10483

			concrete E04B1/41; Dowels, i.e. members adapted to penetrate the surfaces of two parts and to take the shear stresses E04B1/48)}	
N	E04B2001/389	3	{Brackets}	
D	E04B1/40	2	{Separate connecting elements (for forms, falsework, or shutterings E04G17/00; releasable clips or clamps, hooks, wedges, wall-dowels, nails, bolts, rivets, screws, wood-screws F16B)}	<administrative transfer to E04B1/388>
D	E04B2001/405	3	{Brackets}	<administrative transfer to E04B2001/389>
M	E04B1/41	2	Connecting devices specially adapted for embedding in concrete or masonry ({joist hangers E04B1/2612; shear dowels E04B1/483; } spacers {other than masonry wall ties} for cavity walls E04B2/30, E04B2/44; connectors for reinforcing elements E04C5/16; fastening frames to the border of openings E06B1/56)	
M	E04B1/4107	3	{Longitudinal elements having an open profile, with the opening parallel to the concrete or masonry surface, i.e. anchoring rails}	
M	E04B1/4114	3	{Elements with sockets (E04B1/4107 takes precedence)}	
M	E04B1/4121	4	{with internal threads or non-adjustable captive nuts}	
M	E04B1/4128	4	{receiving adjustable or removal nuts}	
M	E04B1/4135	4	{receiving removal bolt heads (E04B1/415 takes precedence)}	
M	E04B1/4142	4	{with transverse hook- or loop-receiving parts (E04B1/415 takes precedence)}	
M	E04B1/415	4	{with captive and extendable anchoring parts, e.g. spring-loaded bolts, hanging rings}	
M	E04B1/4157	3	{Longitudinally-externally threaded elements extending from the concrete or masonry, e.g. anchoring bolt with embedded head}	
M	E04B1/4164	4	{with an adjustment sleeve}	
M	E04B1/4171	3	{Nailable or non-threaded screwable elements (dowels F16B13/00)}	
M	E04B1/4178	3	{Masonry wall ties (with insulation-layer locating devices E04B1/7616; replacing or adding wall ties E04G23/0222)}	
M	E04B1/4185	4	{for cavity walls with both wall leaves made of masonry (spacers for permanent forms E04B2/86)}	

CPC NOTICE OF CHANGES 1478

DATE: AUGUST 1, 2023

PROJECT RP10483

M	E04B2001/4192	3	{attached to concrete reinforcing elements, e.g. rods or wires}	
M	E04B1/48	2	Dowels, i.e. members adapted to penetrate the surfaces of two parts and to take the shear stresses	
M	E04B1/483	3	{Shear dowels to be embedded in concrete}	
M	E04B1/486	3	{Shear dowels for wood (E04B1/49 takes precedence)}	
M	E04B1/49	3	with self-penetrating parts, e.g. claw dowels	
D	E04B1/54	2	{Joints substantially without separate connecting elements, e.g. jointing by inter-engagement (welded, glued, or the like joints, in general F16B)}	<administrative transfer to E04B1/541>
N	E04B1/541	2	{Joints substantially without separate connecting elements, e.g. jointing by inter-engagement}	
M	E04B1/6183	5	{with rotatable locking means co-operating with a recess}	
M	E04B1/74	2	Heat, sound or noise insulation, absorption, or reflection (forms of, or arrangements in, rooms for influencing or directing sound E04B 1/99); Other building methods affording favourable thermal or acoustical conditions, e.g. accumulating of heat within walls (fire protection E04B 1/94; elements chiefly adapted for structural purposes E04C 1/00 - E04C 3/00; chiefly adapted for surface coverings E04F 13/00; as underlayers for floor coverings E04F 15/18; closures for wall or like openings E06B)	
M	E04B1/82	3	specifically with respect to sound only ({of floors or ceilings E04B9/001; } noise damping in ducts or channels E04F17/00; noise damping in general G10K11/16)	
M	E04B2/74	1	Removable non-load-bearing partitions; Partitions with a free upper edge (framed panels E04C 2/38)	
M	E04B2/78	3	characterised by special cross-section of the frame members {as far as important for securing wall panels to a framework with or without the help of cover-strips}	
M	E04B5/12	2	with wooden beams (E04B 5/14 takes precedence)	
M	E04B7/00	0	Roofs; Roof construction with regard to insulation (structures for roofs as well as for floors E04B 5/00; ceilings E04B 9/00; greenhouses A01G 9/14; large containers having floating covers B65D 88/34; roof trusses, truss-like structures, joists E04C 3/02; roof coverings E04D)	

## CPC NOTICE OF CHANGES 1478

DATE: AUGUST 1, 2023

## PROJECT RP10483

M	E04B7/02	1	with plane sloping surfaces, e.g. saddle roofs (E04B7/12 takes precedence)	
M	E04B9/32	1	Translucent ceilings, i.e. permitting both the transmission and diffusion of light ({E04B9/303 and} E04B9/34 takes precedence; lighting F21)	
M	E04B9/34	1	{Grid-like or} open-work ceilings, e.g. lattice type {box-like modules, acoustic baffles} (E04B9/30 takes precedence)	

**SUBCLASS E05B - LOCKS; ACCESSORIES THEREFOR; HANDCUFFS**

<u>Type*</u>	<u>Symbol</u>	<u>Indent Level Number of dots (e.g. 0, 1, 2)</u>	<u>Title</u> <u>“CPC only” text should normally be enclosed in {curly brackets}**</u>	<u>Transferred to#</u>
M	E05B65/0817	3	{with additional movement, e.g. toggle, overcenter, excentric}	

**SUBCLASS F16B - DEVICES FOR FASTENING OR SECURING CONSTRUCTIONAL ELEMENTS OR MACHINE PARTS TOGETHER, e.g. NAILS, BOLTS, CIRCLIPS, CLAMPS, CLIPS, WEDGES, JOINTS OR JOINTING**

<u>Type*</u>	<u>Symbol</u>	<u>Indent Level Number of dots (e.g. 0, 1, 2)</u>	<u>Title</u> <u>“CPC only” text should normally be enclosed in {curly brackets}**</u>	<u>Transferred to#</u>
M	F16B15/0023	1	{Nail plates}	

\*N = new entries where reclassification into entries is involved; C = entries with modified file scope where reclassification of documents from the entries is involved; Q = new entries which are firstly populated with documents via administrative transfers from deleted (D) entries. Afterwards, the transferred documents into the Q entry will either stay or be moved to more appropriate entries, as determined by intellectual reclassification; T = existing entries with enlarged file scope, which receive documents from C or D entries, e.g. when a limiting reference is removed from the entry title; M = entries with no change to the file scope (no reclassification); D = deleted entries; F = frozen entries will be deleted once reclassification of documents from the entries is completed; U = entries that are unchanged.

## NOTES:

- \*\*No {curly brackets} are used for titles in CPC only subclasses, e.g. C12Y, A23Y; 2000 series symbol titles of groups found at the end of schemes (orthogonal codes); or the Y section titles. The {curly brackets} are used for 2000 series symbol titles found interspersed throughout the main trunk schemes (breakdown codes).
- U groups: it is obligatory to display the required “anchor” symbol (U group), i.e. the entry immediately preceding a new group or an array of new groups to be created (in case new groups are not clearly subgroups of C-type groups). Always include the symbol, indent level and title of the U group in the table above.
- All entry types should be included in the scheme changes table above for better understanding of the overall scheme change picture. Symbol, indent level, and title are required for all types.

## CPC NOTICE OF CHANGES 1478

DATE: AUGUST 1, 2023

### PROJECT RP10483

- “Transferred to” column must be completed for all C, D, F, and Q type entries. F groups will be deleted once reclassification is completed.
- When multiple symbols are included in the “Transferred to” column, avoid using ranges of symbols in order to be as precise as possible.
- For administrative transfer of documents, the following text should be used: “<administrative transfer to XX>”, “<administrative transfer to XX and YY simultaneously>”, or “<administrative transfer to XX, YY, ...and ZZ simultaneously>” when administrative transfer of the same documents is to more than one place.
- Administrative transfer to main trunk groups is assumed to be the source allocation type, unless otherwise indicated.
- Administrative transfer to 2000/Y series groups is assumed to be “additional information”.
- If needed, instructions for allocation type should be indicated within the angle brackets using the abbreviations “ADD” or “INV”: <administrative transfer to XX ADD>, <administrative transfer to XX INV>, or <administrative transfer to XX ADD, YY INV, ... and ZZ ADD simultaneously>.
- In certain situations, the “D” entries of 2000-series or Y-series groups may not require a destination (“Transferred to”) symbol, however it is required to specify “<no transfer>” in the “Transferred to” column for such cases.
- For finalization projects, the deleted “F” symbols should have <no transfer> in the “Transferred to” column.
- For more details about the types of scheme change, see CPC Guide.



CPC NOTICE OF CHANGES 1478

DATE: AUGUST 1, 2023

PROJECT RP10483

B. New, Modified or Deleted Warning notice(s)

**SUBCLASS E04B - GENERAL BUILDING CONSTRUCTIONS; WALLS, e.g. PARTITIONS; ROOFS; FLOORS; CEILING; INSULATION OR OTHER PROTECTION OF BUILDINGS**

<u>Type*</u>	<u>Location</u>	<u>Old Warning notice</u>	<u>New/Modified Warning</u>
N	E04B1/343		Group E04B 1/343 is impacted by reclassification into groups E04B 1/34305, E04B 1/3431, E04B 1/34312, E04B 1/34315, E04B 1/34317, E04B 1/34321, E04B 1/34326, E04B 1/34331, E04B 1/34384, E04B 1/344, E04B 1/3441, E04B 1/3442-E04B 1/3444, E04B 1/3445, E04B 1/3447, E04B 1/3448, E04B 1/3449, E04B 1/345 and E04B 1/3455. All groups listed in this Warning should be considered in order to perform a complete search.
N	E04B1/34305		Groups E04B 1/34305 - E04B 1/34312 are incomplete pending reclassification of documents from group E04B 1/343. All groups listed in this Warning should be considered in order to perform a complete search.
N	E04B1/34315		Groups E04B 1/34315 - E04B 1/34331 are incomplete pending reclassification of documents from group E04B 1/343. All groups listed in this Warning should be considered in order to perform a complete search.
N	E04B1/34384		Group E04B 1/34384 is incomplete pending reclassification of documents from group E04B 1/343. Groups E04B 1/343 and E04B 1/34384 should be considered in order to perform a complete search.
N	E04B1/344		Group E04B 1/344 is incomplete pending reclassification of documents from group E04B 1/343. Group E04B 1/344 is also impacted by reclassification into group E04B 1/3449. Groups E04B 1/343, E04B 1/344 and E04B 1/3449 should be considered in order to perform a complete search.
N	E04B1/3441		Group E04B 1/3441 is incomplete pending reclassification of documents from group E04B 1/343. Groups E04B 1/343 and E04B 1/3441 should be considered in order to perform a complete search.
N	E04B1/3442		Group E04B 1/3442 is incomplete pending reclassification of documents from group E04B 1/343. Group E04B 1/3442 is also impacted by reclassification into group E04B 1/3449. Groups E04B 1/343, E04B 1/3442 and E04B 1/3449 should be considered in order to perform a complete search.
N	E04B1/3444		Group E04B 1/3444 is incomplete pending reclassification of documents from group E04B 1/343. Group E04B 1/3444 is also impacted by reclassification into group E04B 1/3449.

CPC NOTICE OF CHANGES 1478

DATE: AUGUST 1, 2023

PROJECT RP10483

			Groups E04B 1/343, E04B 1/3444 and E04B 1/3449 should be considered in order to perform a complete search.
N	E04B1/3445		Group E04B 1/3445 is incomplete pending reclassification of documents from group E04B 1/343. Group E04B 1/3445 is also impacted by reclassification into group E04B 1/3449. Groups E04B 1/343, E04B 1/3445 and E04B 1/3449 should be considered in order to perform a complete search.
N	E04B1/3447		Group E04B 1/3447 is incomplete pending reclassification of documents from group E04B 1/343. Groups E04B 1/343 and E04B 1/3447 should be considered in order to perform a complete search.
N	E04B1/3448		Group E04B 1/3448 is incomplete pending reclassification of documents from group E04B 1/343. Groups E04B 1/343 and E04B 1/3448 should be considered in order to perform a complete search.
N	E04B1/3449		Group E04B 1/3449 is incomplete pending reclassification of documents from groups E04B 1/343, E04B 1/344, E04B 1/3442, E04B 1/3444 and E04B 1/3445. Group E04B 1/3449 is also impacted by reclassification into group E04B 1/345. All groups listed in this Warning should be considered in order to perform a complete search.
N	E04B1/345		Group E04B 1/345 is incomplete pending reclassification of documents from groups E04B 1/343 and E04B 1/3449. Groups E04B 1/343, E04B 1/3449 and E04B 1/345 should be considered in order to perform a complete search.
N	E04B1/3455		Group E04B 1/3455 is incomplete pending reclassification of documents from group E04B 1/343. Groups E04B 1/343 and E04B 1/3455 should be considered in order to perform a complete search.

\*N = new warning, M = modified warning, D = deleted warning

NOTE: The "Location" column only requires the symbol PRIOR to the location of the warning. No further directions such as "before" or "after" are required.

CPC NOTICE OF CHANGES 1478

DATE: AUGUST 1, 2023

PROJECT RP10483

D. New, Modified or Deleted Guidance Heading(s)

**SUBCLASS E04B - GENERAL BUILDING CONSTRUCTIONS; WALLS, e.g. PARTITIONS; ROOFS; FLOORS; CEILINGS; INSULATION OR OTHER PROTECTION OF BUILDINGS**

<u>Type*</u>	<u>Location</u>	<u>Old Guidance Heading</u>	<u>New/Modified Guidance Heading</u>
N	E04B2103/00 – E04B2103/00		INDEXING SCHEME ASSOCIATED WITH E04B1/00 – E04B9/00, RELATING TO MATERIAL CONSTITUTION OF SLABS, SHEETS OR THE LIKE

\*N = new guidance heading, M =modified guidance heading, D = deleted guidance heading

NOTES:

- The “Location” column requires the symbol AFTER the guidance heading location. No further directions such as “before” or “after” are required.
- In cases where there may be confusion as to whether a new group falls within the scope of a guidance heading, indicate the guidance heading and whether the group does or does not go with the guidance heading. This can be included in the “Location” column. For example, the guidance heading “Compounds containing carbon together with sulfur, selenium or tellurium with or without hydrogen, halogens, oxygen or nitrogen” encompasses groups C07C 301/00-395/00 only. If a new group C07C 398/00 is proposed and is included in the guidance heading scope, indicate this in the “Location” column as follows: 398/00 to be included under the guidance heading: “Compounds containing carbon together with sulfur, selenium or tellurium with or without hydrogen, halogens, oxygen or nitrogen.”

DATE: AUGUST 1, 2023

PROJECT RP10483

## 2. A. DEFINITIONS (new)

Insert: The following new Definitions:

### **E04B 2001/2644**

#### **References**

##### ***Informative references***

*Attention is drawn to the following places, which may be of interest for search:*

Interlocking connectors, e.g. with hooks or dovetails, added to the elongated wooden members	<a href="#">E04B 2001/2628</a>
--	--------------------------------

### **E04B 2001/2676**

#### **References**

##### ***Informative references***

*Attention is drawn to the following places, which may be of interest for search:*

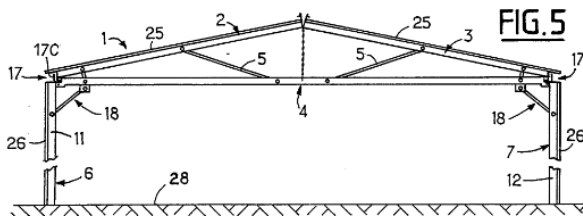
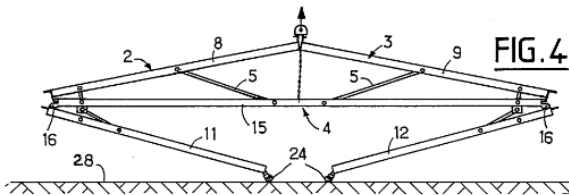
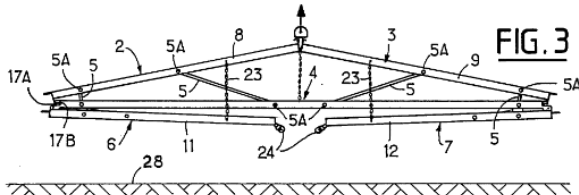
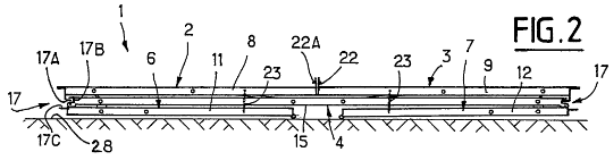
Connection node with interlocking of specially shaped wooden members, e.g. puzzle type connection	<a href="#">E04B 2001/262</a>
---	-------------------------------

**E04B 1/3447**

**Definition statement**

*This place covers:*

Illustrative example of the subject matter classified in this subgroup:



DATE: AUGUST 1, 2023

PROJECT RP10483

**E04B 1/3455****References*****Informative references****Attention is drawn to the following places, which may be of interest for search:*

Roofs with movables sections	<a href="#">E04B 7/16</a>
Greenhouses with sliding roofs	<a href="#">A01G 9/16</a>
Weather protection for road works	<a href="#">E01C 23/03</a>
Weather protection for building works	<a href="#">E04G 21/28</a>
Swimming pools with movable roof sections	<a href="#">E04H 3/165</a>

**Special rules of classification**

Half-arches wheeled at one extremity against a building wall and at the other end on the ground are also classified here.

**E04B 1/388****References*****Limiting references****This place does not cover:*

Connecting devices specially adapted for embedding in concrete	<a href="#">E04B 1/41</a>
Dowels, i.e. members adapted to penetrate the surfaces of two parts and to take the shear stresses	<a href="#">E04B 1/48</a>

***Informative references****Attention is drawn to the following places, which may be of interest for search:*

Connecting or other auxiliary members for forms, falsework structures or shutterings	<a href="#">E04G 17/00</a>
--	----------------------------

DATE: AUGUST 1, 2023

PROJECT RP10483

Releasable clips or clamps, hooks, wedges, wall-dowels, nails, bolts, rivets, screws, wood-screws	F16B
---	------

## E04B 1/541

### References

#### *Informative references*

*Attention is drawn to the following places, which may be of interest for search:*

Welded, glued or the like joints, in general	F16B
--	------

## E05B 65/0817

### References

#### *Informative references*

*Attention is drawn to the following places, which may be of interest for search:*

Connections between frontal surfaces of slab-shaped building elements with rotatable locking means co-operating with a recess	E04B 1/6183
Toggle fasteners in general	E05C 19/14

DATE: AUGUST 1, 2023

PROJECT RP10483

## 2. A. DEFINITIONS (modified)

**E04B 1/0023**

### References

#### *Limiting references*

Delete: The following seven rows from the Limiting references table:

Building envelopes with canalisations for insulation purposes	<a href="#">E04B 1/74</a>
Special adaptation of floor structures for incorporating ducts	<a href="#">E04B 5/48</a>
Domestic plumbing installations for combinations of baths, showers, sinks, wash-basins, closets, urinals, or the like	<a href="#">E03C 1/01</a>
Slab-shaped or panel-shaped building elements for locating conduits	<a href="#">E04C 2/52</a>
Vertical ducts	<a href="#">E04F 17/00</a>
Canalisation per se	<a href="#">F16L</a>
Conduits for ventilation, heating systems or air-conditioning	<a href="#">F24F</a>

Insert: The following new Informative references section:

#### *Informative references*

*Attention is drawn to the following places, which may be of interest for search:*

Building envelopes with canalisations for insulation purposes	<a href="#">E04B 1/74</a>
Special adaptation of floor structures for incorporating ducts	<a href="#">E04B 5/48</a>
Domestic plumbing installations for combinations of baths, showers, sinks, wash-basins, closets, urinals, or the like	<a href="#">E03C 1/01</a>
Slab-shaped or panel-shaped building elements for locating conduits	<a href="#">E04C 2/52</a>
Vertical ducts	<a href="#">E04F 17/00</a>
Canalisation per se	<a href="#">F16L</a>
Conduits for ventilation, heating systems or air-conditioning	<a href="#">F24F</a>



DATE: AUGUST 1, 2023

PROJECT RP10483

**E04B 1/18****References*****Limiting references***Delete: The following two Limiting references table rows:

Connection of bar-shaped building elements, i.e. of smaller cross-section	<a href="#">E04B 1/58</a>
Log cabins	<a href="#">E04B 2/701</a>

Insert: The following new Informative references section:***Informative references****Attention is drawn to the following places, which may be of interest for search:*

Connection of bar-shaped building elements, i.e. of smaller cross-section	<a href="#">E04B 1/58</a>
Log cabins	<a href="#">E04B 2/701</a>

**Special rules of classification**Replace: The semicolon at the end of the first paragraph with a period so that the entire Special rules section appears as follows:

Structures made from a horizontal or vertical juxtaposition of elongated elements other than wood are classified in [E04B 1/18](#).

Structures made from a juxtaposition of porticos or stacks of frames are only classified in [E04B 1/18](#), irrespective of the material of the elongated elements.

DATE: AUGUST 1, 2023

PROJECT RP10483

## E04B 1/19

### Definition statement

Insert: The text “, wherein the frames are not habitable or accessible upon construction.” at the end of the Definition statement text so that the entire text reads as follows:

Space frames, i.e. truss-like lightweight structures constructed from interconnected struts in a geometric pattern spanning a large area, with either short struts connected at the nodes or continuous struts folded at the nodes, wherein the frames are not habitable or accessible upon construction.

### References

Delete: The entire Limiting references section.

### Informative references

Insert: The following two rows into the Informative references:

Vaulted roof structures with folded or grid-like formations acting as shell structures	E04B 7/10
Cosmonautic vehicles	B64G 1/00

### Special rules of classification

Replace: The semicolon between sentences with a period so that the Special rules section text appears as follows:

Documents showing large parts of the space frame are classified here, even if they show details of component parts or their connections. Use [E04B 1/1903](#) - [E04B 2001/1996](#) for classifying additional information of the details of the component parts of the space frame, their connections and the type of space frame for the documents classified in [E04B 1/19](#).

DATE: AUGUST 1, 2023

PROJECT RP10483

**E04B 1/32****References****Limiting references**

Replace: The symbol in the first row of the Limiting references table so that the row appears as follows:

Structures deriving their rigidity from concertina folds	<a href="#">E04B 1/345</a>
--	----------------------------

**Special rules of classification**

Insert: A period at the end of the second paragraph as well as a new third paragraph so that the Special rules text reads as follows:

Use [E04B 2001/3217](#) - [E04B 2001/3294](#) for classifying additional information of the component parts, their connections and the type of structures of the documents classified in [E04B 1/32](#) - [E04B 1/3211](#).

Do not use [E04B 2001/0061](#) to classify the documents of [E04B 1/32](#) - [E04B 1/3211](#).

Looping references between E04B 1/32 and E04B 7/08 have been identified. Until this inconsistency is resolved in IPC, the current classification practice in CPC is as follows: the reference to E04B 7/08 is considered limiting.

**E04B 1/343****References**

Delete: The entire Limiting references section.

Insert: The following new Informative references section:

**Informative references**

*Attention is drawn to the following places, which may be of interest for search:*

Movable roof parts	<a href="#">E04B 7/16</a>
Floatable buildings	<a href="#">B63B</a>
Containers	<a href="#">B65G</a>

DATE: AUGUST 1, 2023

PROJECT RP10483

Small prefabricated buildings, transportable as a whole	E04H 1/12
Small garages	E04H 6/02
Tents or canopies, in general	E04H 15/00

Insert: The following new Special rules section:

**Special rules of classification**

References E04B 7/16, B63B, B65G, E04H 1/12, E04H 6/02 and E04H 15/00 are non-limiting in subgroup E04B 1/343. CPC will be corrected once this inconsistency is resolved in IPC.

Looping references between E04B 1/343 and E04H 6/02 have been identified. Until this inconsistency is resolved in IPC, the current classification practice in CPC is as follows: both references are considered informative.

**E04B 1/34305**

**References**

***Informative references***

Replace: The symbol in the first row of the Informative references table so that the row appears as follows:

Telescopic wheeled arched structures	E04B 1/3455
--------------------------------------	-------------

**Special rules of classification**

Replace: The semicolon at the end of the first paragraph with a period and delete the second paragraph so that the Special rules text appears as follows:

Structures with more than one telescopic section extendable each from different surfaces of the structure, or with telescopic sections comprising two or more nested sub-sections are classified here.

DATE: AUGUST 1, 2023

PROJECT RP10483

## **E04B 1/3431**

### **Definition statement**

Insert: A period at the end of the text so that the Definition statement text appears as follows:

Structure with a single telescopic section extendable horizontally from a side of the structure or vertically from the top or bottom of the structure.

Delete: The Special rules of classification section.

## **E04B 1/34315**

### **Special rules of classification**

Delete: The second paragraph so that the Special rules text appears as follows:

Structures formed of a combination of structural elongated elements and structural panels are classified here.

## **E04B 1/34321**

### **Special rules of classification**

Delete: The first paragraph so that the Special rules text appears as follows:

Use [E04B 1/61](#) - [E04B 2001/6195](#) for classifying additional information of the details of the connections of the panels.

## **E04B 1/34326**

### **Special rules of classification**

Delete: The first paragraph so that the Special rules text appears as follows:

Use [E04B 1/58](#) - [E04B 2001/5893](#) for classifying additional information of the details of the connections of the longitudinal elements.

DATE: AUGUST 1, 2023

PROJECT RP10483

## E04B 1/34336

### Definition statement

Insert: A period at the end of the Definition statement text so it appears as follows:

Mobile home structures.

### References

#### Limiting references

Delete: The following row from the Limiting references table:

Structures composed of a number of box-like units	<a href="#">E04B 1/348</a>
---	----------------------------

Insert: The following new Informative references section:

#### **Informative references**

*Attention is drawn to the following places, which may be of interest for search:*

Structures composed of a number of box-like units	<a href="#">E04B 1/348</a>
---	----------------------------

Delete: The entire Special rules of classification section.

## E04B 1/3445

Delete: The entire Special rules of classification section.

DATE: AUGUST 1, 2023

PROJECT RP10483

**E04B 1/3448**

**Definition statement**

Replace: The existing Definition statement with the following revised text and new images.

Structures with rotating shell-forming segments, e.g. armadillo plates type structure.

Illustrative example of the subject matter classified in this subgroup:

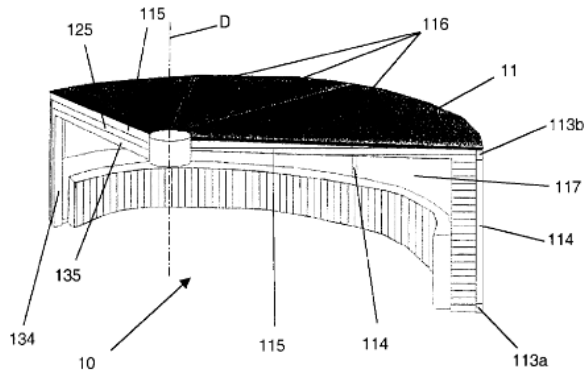


figure 1

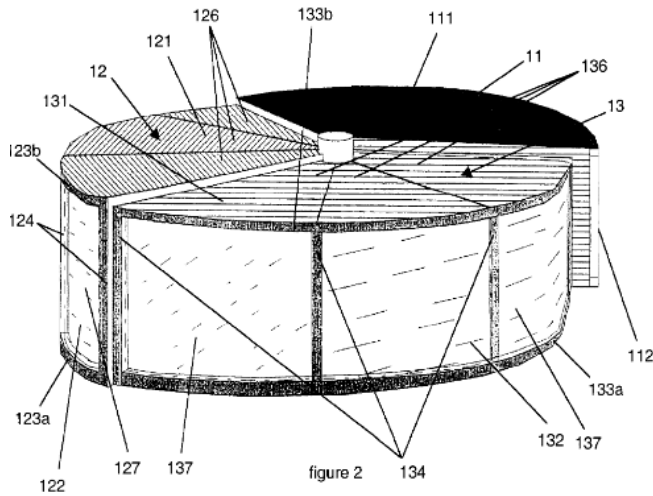


figure 2

DATE: AUGUST 1, 2023

PROJECT RP10483

**E04B 1/34869****Definition statement**

Insert: A period at the end of the Definition statement text so that it appears as follows:

Structures composed of units comprising at least considerable parts of two sides of a room where the units are pre-fitted for special technical purposes, e.g. with pre-fitted piping, plumbing, sanitary equipment or electrical wiring.

**References**

Delete: The entire Limiting references section.

**Informative references**

Insert: The following four new rows into the Informative references table:

Combination of baths, douches, sinks, wash-basins, closets or urinals	<a href="#">A47K 4/00</a>
Plumbing installations for baths, douches, or the like	<a href="#">E03C 1/01</a>
Panels serving for locating conduits	<a href="#">E04C 2/521</a>
Ducts for receiving installation lines	<a href="#">E04F 17/08</a>

**E04B 1/41****References****Limiting references**

Delete: The following two rows from the Limiting references table:

Supporting devices for connector reinforcing rods for concrete walls	<a href="#">E04G 21/125</a>
Spacers between rows of masonry blocks	<a href="#">E04G 21/1841,</a>



DATE: AUGUST 1, 2023

PROJECT RP10483

	E04B 2002/0282
--	-------------------

Insert: The following new Informative references section:

**Informative references**

*Attention is drawn to the following places, which may be of interest for search:*

Supporting devices for connector reinforcing rods for concrete walls	E04G 21/125
Spacers between rows of masonry blocks	E04G 21/1841, E04B 2002/0282

**E04B 1/4178**

**References**

**Limiting references**

Delete: The following row from the Limiting references table:

Masonry blocs with integrated spacers or masonry walls with spacers not located in the masonry joints	E04B 2/02
---	-----------

**Informative references**

Insert: The following new row into the Informative references table:

Masonry blocs with integrated spacers or masonry walls with spacers not located in the masonry joints	E04B 2/02
---	-----------

DATE: AUGUST 1, 2023

PROJECT RP10483

**E04B 1/49**

**References**

Delete: The entire Limiting references section.

Insert: The following new Informative references section:

***Informative references***

Attention is drawn to the following places, which may be of interest for search:

Nail plates	<a href="#">F16B 15/0023</a>
-------------	------------------------------

**E04B 1/58**

**References**

***Informative references***

Insert: The following new row into the Informative references table:

Structures comprising elongated load-supporting parts, e.g. columns, girders, skeletons	<a href="#">E04B1/18</a>
---	--------------------------

**E04B 1/82**

**Definition statement**

Replace: The existing Definition statement text with the following revised text:

Sound insulation for building constructions in general or for building structures which are not restricted either to walls or floors or ceilings or roofs.

**References**

***Limiting references***

Delete: The following five rows from the Limiting references table:

DATE: AUGUST 1, 2023

PROJECT RP10483

Partition walls with special measures for sound insulation	<a href="#">E04B 2/7403</a> , <a href="#">E04B 2/7409</a>
Insulating elements of car bodies	<a href="#">B60R 13/08</a>
Sound insulation of flooring	<a href="#">E04F 15/20</a>
Sound damping devices for pipes	<a href="#">F16L 55/033</a>
Noise damping in general	<a href="#">G10K 11/00</a>

Insert: The following new Informative references section:

### **Informative references**

*Attention is drawn to the following places, which may be of interest for search:*

Partition walls with special measures for sound insulation	<a href="#">E04B 2/7403</a> , <a href="#">E04B 2/7409</a>
Insulating elements of car bodies	<a href="#">B60R 13/08</a>
Sound insulation of flooring	<a href="#">E04F 15/20</a>
Sound damping devices for pipes	<a href="#">F16L 55/033</a>
Noise damping in general	<a href="#">G10K 11/16</a>

### **Special rules of classification**

Insert: A new second paragraph into the Special rules section so that the complete Special rules text appears as follows:

Use [E04B 2001/741](#) - [E04B 2001/748](#) and [E04B 2001/8245](#) - [E04B 2001/8495](#) for classifying additional information of the documents classified in [E04B 1/82](#) - [E04B 1/90](#).

Reference [G10K 11/16](#) is non-limiting in subgroup [E04B 1/82](#). CPC will be corrected once this inconsistency is resolved in IPC.

DATE: AUGUST 1, 2023

PROJECT RP10483

**E04B 2/00****References****Limiting references**

Delete: The following three rows from the Limiting references table:

Connections for building structures in general	<a href="#">E04B 1/38</a>
Insulation for buildings in general	<a href="#">E04B 1/74</a>
Retaining walls	<a href="#">E02D 29/02</a>

Insert: The following new Informative references section:

**Informative references**

*Attention is drawn to the following places, which may be of interest for search:*

Connections for building structures in general	<a href="#">E04B 1/38</a>
Insulation for buildings in general	<a href="#">E04B 1/62</a>
Heat, sound or noise insulation, absorption, or reflection	<a href="#">E04B 1/74</a>
Retaining walls	<a href="#">E02D 29/02</a>

**Special rules of classification**

Replace: The first paragraph and insert a new paragraph at the end of the existing text so that the Special rules text appears as follows:

Load-bearing walls made from panels, e.g. pre-fabricated walls, are classified in [E04B 1/02](#) - [E04B 1/14](#).

Load-bearing or non-load-bearing walls built-up from layers of building elements, e.g. brick or block walls, are classified in [E04B 2/02](#) - [E04B 2/54](#).

Load-bearing walls having a framework or a pillarwork, and walls incorporating load-bearing elongated members, are classified in [E04B 2/56](#) - [E04B 2/709](#).

Non-load-bearing walls made of panels or posts and panels are classified in [E04B 2/72](#) - [E04B 2/828](#).

Load-bearing or non-load-bearing walls made by casting, pouring or tamping in situ are classified in [E04B 2/84](#) - [E04B 2/8664](#).

DATE: AUGUST 1, 2023

PROJECT RP10483

References E04B 1/38 and E04B 1/62 are non-limiting in main group E04B 2/00. CPC will be corrected once this inconsistency is resolved in IPC.

## **E04B 2/74**

Insert: The following new Definition statement:

### **Definition statement**

*This place covers:*

E.g., modular coordination.

### **Special rules of classification**

Replace: The existing Special rules text with the following revised text:

Documents with tables, shelving and similar items associated with a partition wall should be additionally classified in furniture groups, e.g. in A47B for tables or desks.

Reference E04C 2/38 is non-limiting in subgroup E04B 2/74. CPC will be corrected once this inconsistency is resolved in IPC.

## **E04B 5/12**

Insert: The following new Definition statement:

### **Definition statement**

*This place covers:*

Also means for supporting beams.

### **References**

#### ***Limiting references***

Replace: The existing Limiting references table with the following revised table:

DATE: AUGUST 1, 2023

PROJECT RP10483

Load-carrying floor structures formed substantially of prefabricated units with beams or girders laid in two directions	E04B 5/14
---	-----------

***Informative references***

Replace: The existing Informative references table with the following revised table:

Wooden joists hangers	E04B 1/2612
Wooden beams	E04C 3/12
Shores or struts	E04G 25/00

**E04B 7/00****References*****Limiting references***

Replace: The existing Limiting references table with the following revised table:

Structures for roofs, in particular for flat roofs, as well as for floors	E04B5/00
Ceilings, i.e. suspended ceilings	E04B9/00
Greenhouses	A01G9/14
Large containers having floating covers	B65D88/34
Roof trusses per se, truss-like structures	E04C3/02
Roof coverings	E04D

DATE: AUGUST 1, 2023

PROJECT RP10483

**Informative references**Insert: The following four new rows into the Informative references table:

Three-dimensional frameworks	E04B1/19
Arched girders or portal frames	E04C3/38
Sunshades; Awnings	E04F10/00
Tents or canopies, in general	E04F15/00

**E04B 7/02****References****Limiting references**Delete: The following row from the Limiting references table:

Canopies	E04F 10/00
----------	------------

Insert: The following new Informative references section:**Informative references***Attention is drawn to the following places, which may be of interest for search:*

Sunshades, e.g. made of flexible canopy materials	E04F 10/00
---	------------

DATE: AUGUST 1, 2023

PROJECT RP10483

**E04B 7/022****References*****Informative references***

Replace: The term “trusslike” with “truss-like” in the first table row and delete the second part of the symbol ranges in both rows so that the table appears as follows:

Roof trusses per se, truss-like structures	E04C 3/02
Arched girders or portal frames	E04C 3/38

**E04B 7/107****References*****Informative references***

Replace: The symbol in the second row of the Informative references table so that it appears as follows:

Structures deriving their rigidity from concertina folds	E04B 1/345
--	------------

**E04B 9/32****References*****Limiting references***

Replace: The existing Limiting references table with the following revised table:

Suspended or false ceilings comprising a flexible tensioned membrane secured to the supporting construction and/or to the adjacent walls	E04B 9/303
Grid-like or open-work ceilings, e.g. lattice type ceilings	E04B 9/34
Lighting	F21



DATE: AUGUST 1, 2023

PROJECT RP10483

***Informative references***

Delete: The following row from the Informative references table:

Suspended or false ceilings comprising a flexible tensioned membrane secured to the supporting construction and/or to the adjacent walls.	E04B 9/303
---	------------

**E04B 9/34****References*****Limiting references***

Replace: The existing Limiting references table with the following revised table:

Details of ceiling edges	E04B 9/30
--------------------------	-----------

***Informative references***

Replace: The existing Informative references table with the following revised table:

Sound or noise insulation in buildings	E04B 1/74, E04B 1/82
Slab shaped sound absorbing elements for buildings	E04B 1/86
Grids for lighting devices	F21V
Methods or devices for protecting against or damping noise	G10K 11/00

CPC NOTICE OF CHANGES 1478

DATE: AUGUST 1, 2023

PROJECT RP10483

2. B. DEFINITIONS QUICK FIX

<b><u>Symbol</u></b>	<b><u>Location of change</u></b> (e.g., section title)	<b><u>Existing reference symbol or text</u></b>	<b><u>Action; New symbol; New text</u></b>
E04B 1/34357			<u>Delete</u> the entire Definition.
E04B 1/34368			<u>Delete</u> the entire Definition.
E04B 1/40			<u>Delete</u> the entire Definition.
E04B 1/54			<u>Delete</u> the entire Definition.
E04B 2/78			<u>Delete</u> the entire Definition.

NOTES:

- The table above is used for corrections or modifications to existing definitions, e.g. delete an entire definition or part thereof; propose new wording or modify wording of a section, change the symbol the definition is associated with, change or delete a reference symbol, etc.
- Do not delete (F) symbol definitions.

CPC NOTICE OF CHANGES 1478

DATE: AUGUST 1, 2023

PROJECT RP10483

3. REVISION CONCORDANCE LIST (RCL)

<u>Type*</u>	<u>From CPC Symbol (existing)</u>	<u>To CPC Symbol(s)</u>
C	E04B 1/343	E04B 1/343, E04B 1/34305, E04B 1/3431, E04B 1/34312, E04B 1/34315, E04B 1/34317, E04B 1/34321, E04B 1/34326, E04B 1/34331, E04B 1/34384, E04B 1/344, E04B 1/3441, E04B 1/3442, E04B 1/3444, E04B 1/3445, E04B 1/3447, E04B 1/3448, E04B 1/3449, E04B 1/345, E04B 1/3455
D	E04B 1/34357	<administrative transfer to E04B 1/343>
D	E04B 1/34368	<administrative transfer to E04B 1/3455>
D	E04B 1/34373	<administrative transfer to E04B 1/3455>
D	E04B 1/34378	<administrative transfer to E04B 1/3449>
D	E04B 2001/34389	<administrative transfer to E04B 1/34317>
D	E04B 2001/34394	<administrative transfer to E04B 1/34312>
C	E04B 1/344	E04B 1/344, E04B 1/3449
C	E04B 1/3442	E04B 1/3442, E04B 1/3449
C	E04B 1/3444	E04B 1/3444, E04B 1/3449
C	E04B 1/3445	E04B 1/3445, E04B 1/3449
Q	E04B 1/3449	E04B 1/345, E04B 1/3449
D	E04B 1/40	<administrative transfer to E04B 1/388>
D	E04B 2001/405	<administrative transfer to E04B 2001/389>
D	E04B 1/54	<administrative transfer to E04B 1/541>

\* C = entries with modified file scope where reclassification of documents from the entries is involved; Q = new entries which are firstly populated with documents via administrative transfers from deleted (D) entries. Afterwards, the transferred documents into the Q entry will either stay or be moved to more appropriate entries, as determined by intellectual reclassification; D = deleted entries; F = frozen entries will be deleted once reclassification of documents from the entries is completed.

NOTES:

- Only C, D, F, and Q type entries are included in the table above.
- When multiple symbols are included in the “To” column, do not use ranges of symbols.
- For administrative transfer of documents, the following text should be used: “< administrative transfer to XX>”, “<administrative transfer to XX and YY simultaneously>”, or “<administrative transfer to XX, YY, ...and ZZ simultaneously>” when administrative transfer of the same documents is to more than one place.
- Administrative transfer to main trunk groups is assumed to be the source allocation type, unless otherwise indicated.
- Administrative transfer to 2000/Y series groups is assumed to be “additional information”.
- If needed, instructions for allocation type should be indicated within the angle brackets using the abbreviations “ADD” or “INV”: <administrative transfer to XX ADD>, <administrative transfer to XX INV>, or < administrative transfer to XX ADD, YY INV, ... and ZZ ADD simultaneously>.
- In certain situations, the “D” entries of 2000-series or Y-series groups may not require a destination (“To”) symbol, however it is required to specify “<no transfer>” in the “To” column for such cases.
- RCL is not needed for finalisation projects.

CPC NOTICE OF CHANGES 1478

DATE: AUGUST 1, 2023

PROJECT RP10483

4. CHANGES TO THE CPC-TO-IPC CONCORDANCE LIST (CICL)

<u>CPC</u>	<u>IPC</u>	<u>Action*</u>
E04B 1/34312	E04B 1/343	NEW
E04B 1/34317	E04B 1/343	NEW
E04B 1/34357		DELETE
E04B 1/34368		DELETE
E04B 1/34373		DELETE
E04B 1/34378		DELETE
E04B 2001/34389		DELETE
E04B 2001/34394		DELETE
E04B 1/3449	E04B 1/344	NEW
E04B 1/345	E04B 1/344	NEW
E04B 1/3455	E04B 1/343	NEW
E04B 1/388	E04B 1/38	NEW
E04B 2001/389	E04B 1/38	NEW
E04B 1/40		DELETE
E04B 2001/405		DELETE
E04B 1/54		DELETE
E04B 1/541	E04B 1/38	NEW

\*Action column:

- For an (N) or (Q) entry, provide an IPC symbol and complete the Action column with “NEW.”
- For an existing CPC main trunk entry or indexing entry where the existing IPC symbol needs to be changed, provide an updated IPC symbol and complete the Action column with “UPDATED.”
- For a (D) CPC entry or indexing entry complete the Action column with “DELETE.” IPC symbol does not need to be included in the IPC column.
- For an (N) 2000 series CPC entry which is positioned within the main trunk scheme (breakdown code) provide an IPC symbol and complete the action column with “NEW”.
- For an (N) 2000 series CPC entry positioned at the end of the CPC scheme (orthogonal code), with no IPC equivalent, complete the IPC column with “CPCONLY” and complete the action column with “NEW”.

NOTES:

- F symbols are not included in the CICL table above.
- T and M symbols are not included in the CICL table above unless a change to the existing IPC is desired.