

EUROPEAN PATENT OFFICE
U.S. PATENT AND TRADEMARK OFFICE

CPC NOTICE OF CHANGES 1481

DATE: AUGUST 1, 2023

PROJECT MP11749

The following classification changes will be effected by this Notice of Changes:

<u>Action</u>	<u>Subclass</u>	<u>Group(s)</u>
SCHEME:		
Titles Changed:	B23B	31/1072, 31/1073, 31/22, 31/223, 31/226
Indents Changed:	B23B	31/223, 31/226
DEFINITIONS:		
Definitions New:	B23B	31/1073, 31/22, 31/223, 31/226
Definitions Modified:	B23B	31/1071, 31/1072

No other subclasses/groups are impacted by this Notice of Changes.

This Notice of Changes includes the following [Check the ones included]:

1. CLASSIFICATION SCHEME CHANGES

- A. New, Modified or Deleted Group(s)
- B. New, Modified or Deleted Warning(s)
- C. New, Modified or Deleted Note(s)
- D. New, Modified or Deleted Guidance Heading(s)

2. DEFINITIONS

- A. New or Modified Definitions (Full definition template)
- B. Modified or Deleted Definitions (Definitions Quick Fix)

3. REVISION CONCORDANCE LIST (RCL)

4. CHANGES TO THE CPC-TO-IPC CONCORDANCE LIST (CICL)

5. CHANGES TO THE CROSS-REFERENCE LIST (CRL)

CPC NOTICE OF CHANGES 1481

DATE: AUGUST 1, 2023

PROJECT MP11749

1. CLASSIFICATION SCHEME CHANGES

A. New, Modified or Deleted Group(s)

SUBCLASS B23B- TURNING; BORING

Type*	Symbol	Indent Level Number of dots (e.g. 0, 1, 2)	Title “CPC only” text should normally be enclosed in {curly brackets}**	Transferred to#
M	B23B 31/1072	4	{Retention by axially or circumferentially oriented cylindrical elements (cylindrical elements acting as jaws B23B 31/223)}	
M	B23B 31/1073	4	{Retention by conical elements (conical elements acting as jaws B23B 31/226)}	
M	B23B 31/22	4	Jaws in the form of balls	
M	B23B 31/223	4	{Jaws in the form of cylindrical elements }	
M	B23B 31/226	4	{Jaws in the form of conical elements }	

*N = new entries where reclassification into entries is involved; C = entries with modified file scope where reclassification of documents from the entries is involved; Q = new entries which are firstly populated with documents via administrative transfers from deleted (D) entries. Afterwards, the transferred documents into the Q entry will either stay or be moved to more appropriate entries, as determined by intellectual reclassification; T = existing entries with enlarged file scope, which receive documents from C or D entries, e.g. when a limiting reference is removed from the entry title; M = entries with no change to the file scope (no reclassification); D = deleted entries; F = frozen entries will be deleted once reclassification of documents from the entries is completed; U = entries that are unchanged.

NOTES:

- **No {curly brackets} are used for titles in CPC only subclasses, e.g. C12Y, A23Y; 2000 series symbol titles of groups found at the end of schemes (orthogonal codes); or the Y section titles. The {curly brackets} are used for 2000 series symbol titles found interspersed throughout the main trunk schemes (breakdown codes).
- U groups: it is obligatory to display the required “anchor” symbol (U group), i.e. the entry immediately preceding a new group or an array of new groups to be created (in case new groups are not clearly subgroups of C-type groups). Always include the symbol, indent level and title of the U group in the table above.
- All entry types should be included in the scheme changes table above for better understanding of the overall scheme change picture. Symbol, indent level, and title are required for all types.
- “Transferred to” column must be completed for all C, D, F, and Q type entries. F groups will be deleted once reclassification is completed.
- When multiple symbols are included in the “Transferred to” column, avoid using ranges of symbols in order to be as precise as possible.
- For administrative transfer of documents, the following text should be used: “<administrative transfer to XX>”, “<administrative transfer to XX and YY simultaneously>”, or “<administrative transfer to XX, YY, ...and ZZ simultaneously>” when administrative transfer of the same documents is to more than one place.
- Administrative transfer to main trunk groups is assumed to be the source allocation type, unless otherwise indicated.
- Administrative transfer to 2000/Y series groups is assumed to be “additional information”.
- If needed, instructions for allocation type should be indicated within the angle brackets using the abbreviations “ADD” or “INV”: <administrative transfer to XX ADD> , <administrative transfer to XX INV>, or <administrative transfer to XX ADD, YY INV, ... and ZZ ADD simultaneously>.
- In certain situations, the “D” entries of 2000-series or Y-series groups may not require a destination (“Transferred to”) symbol, however it is required to specify “<no transfer>” in the “Transferred to” column for such cases.
- For finalization projects, the deleted “F” symbols should have <no transfer> in the “Transferred to” column.

CPC NOTICE OF CHANGES 1481

DATE: AUGUST 1, 2023

PROJECT MP11749

- For more details about the types of scheme change, see CPC Guide.

2. A. DEFINITIONS (new)

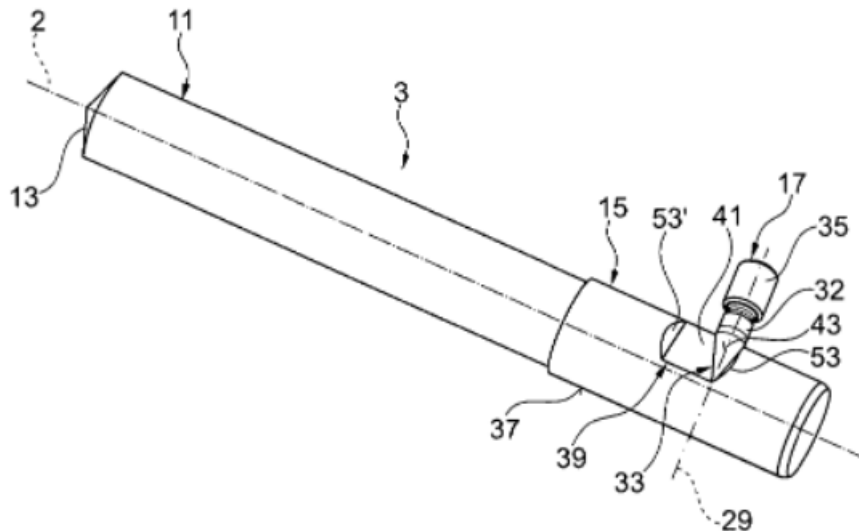
Insert: The following new definitions.

B23B 31/1073

Definition statement

This place covers:

Illustrative example of subject matter classified in this group:



Chuck with conical detents. To be classified in this group, the conical elements should enter a groove or recess in the shank being held.

Relationships with other classification places

B23B 31/1073 is used for conical elements to hold the shank of the tool where the shank has a depression or groove to receive the conical elements.

B23B 31/226 is used for conical elements which form jaws in which the shank is solid and the conical elements that form jaws abut the outer circumference of the shank.

References

Limiting references

This place does not cover:

Conical elements acting as jaws	B23B 31/226
---------------------------------	-----------------------------

B23B 31/22

Definition statement

This place covers:

Illustrative example of subject matter classified in this group:

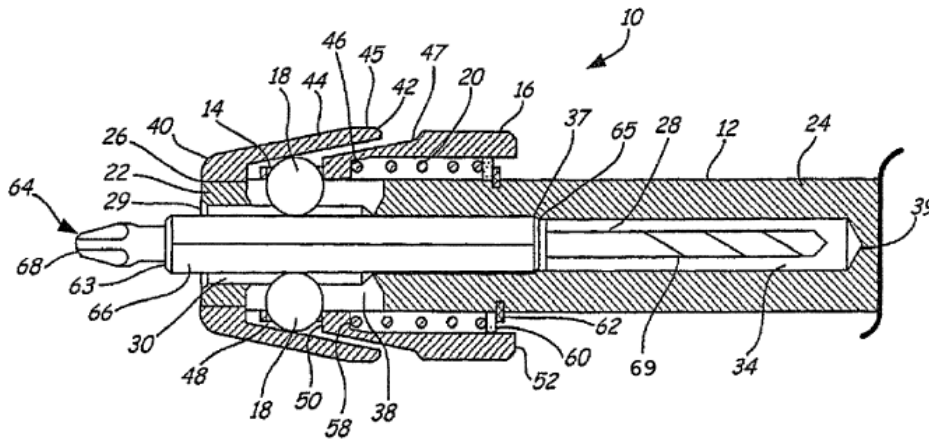


FIG. 2

Chuck with balls that are used as jaws. To be classified in this group, the balls should contact a solid outer surface of the shank being held.

Relationships with other classification places

B23B 31/1071 is used for retention balls to hold the shank of the tool where the shank has a depression or groove to receive the ball.

B23B 31/22 is used for balls which form jaws in which the shank is solid and the balls that form jaws abut the outer circumference of the shank.

References

Informative references

Attention is drawn to the following places, which may be of interest for search:

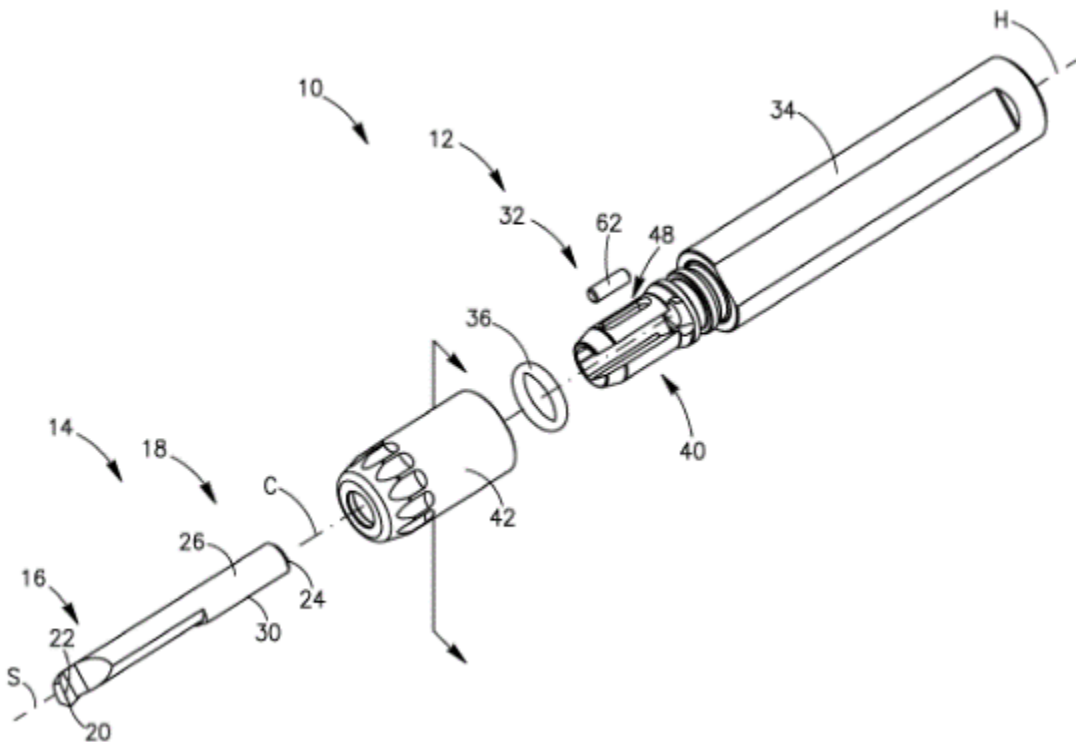
Retention by balls acting as detents	B23B 31/1071
--------------------------------------	--------------

B23B 31/223

Definition statement

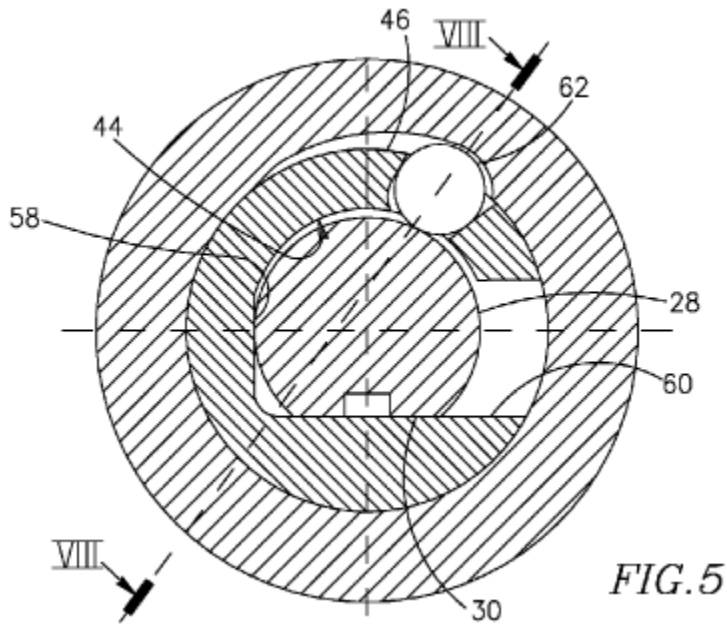
This place covers:

Illustrative example of subject matter classified in this group:



DATE: AUGUST 1, 2023

PROJECT MP11749



Chuck with axial or circumferential cylindrical elements used as jaws. To be classified in this group, the cylindrical elements should contact a solid outer surface of the shank being held.

Relationships with other classification places

B23B 31/1072 is used for cylindrical elements to hold the shank of the tool where the shank has a depression or groove to receive the cylindrical elements.

B23B 31/223 is used for cylindrical elements which form jaws in which the shank is solid and the cylindrical elements that form jaws about the outer circumference of the shank.

References

Informative references

Attention is drawn to the following places, which may be of interest for search:

Retention by axially or circumferentially oriented cylindrical elements acting as detents	B23B 31/1072
---	------------------------------

B23B 31/226

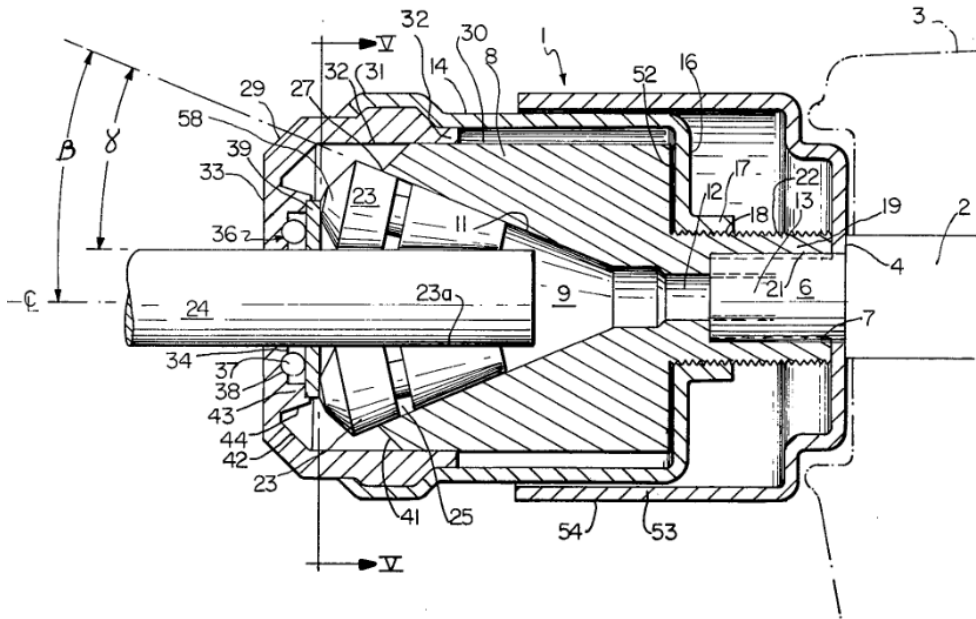
Definition statement

DATE: AUGUST 1, 2023

PROJECT MP11749

This place covers:

Illustrative example of subject matter classified in this group:



Chuck with conical elements used as jaws. To be classified in this group, the conical elements should contact a solid outer surface of the shank being held.

Relationships with other classification places

B23B 31/1073 is used for conical elements to hold the shank of the tool where the shank has a depression or groove to receive the conical elements.

B23B 31/226 is used for conical elements which form jaws in which the shank is solid and the conical elements that form jaws abut the outer circumference of the shank.

References

Informative references

Attention is drawn to the following places, which may be of interest for search:

Retention by conical elements acting as detents	B23B 31/1073
---	------------------------------

CPC NOTICE OF CHANGES 1481

DATE: AUGUST 1, 2023

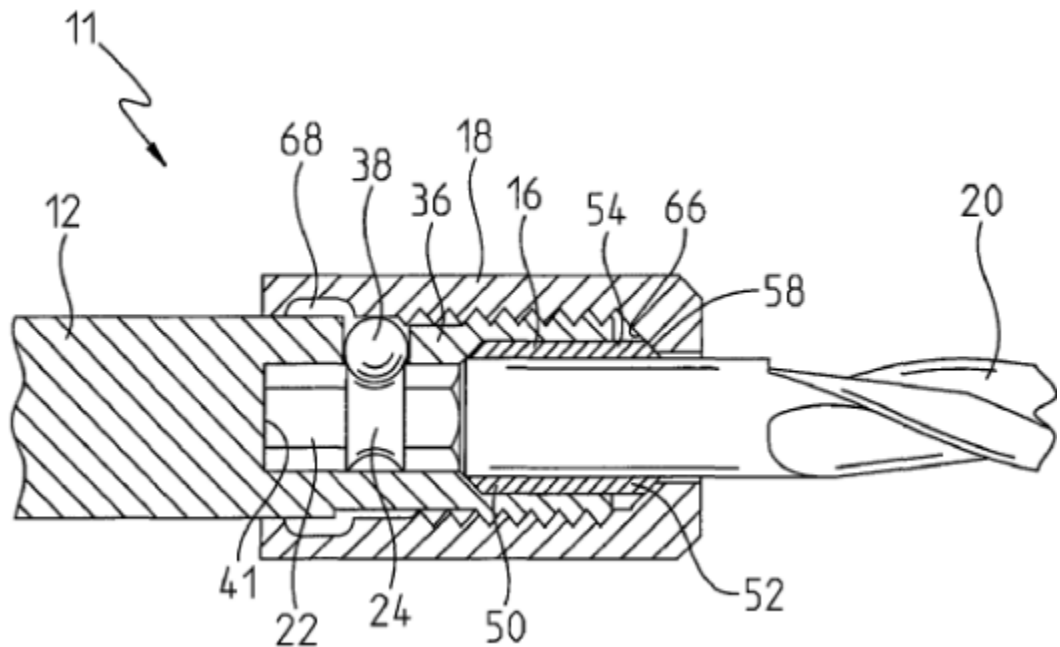
PROJECT MP11749

2. A. DEFINITIONS (modified)

B23B 31/1071

Definition statement

Replace: The existing image and text with the following updated image and text:



Chuck with ball detents (38). To be classified in this group, the balls should enter a groove or recess in the shank being held.

Insert: A new Relationships with other classification places section:

Relationships with other classification places

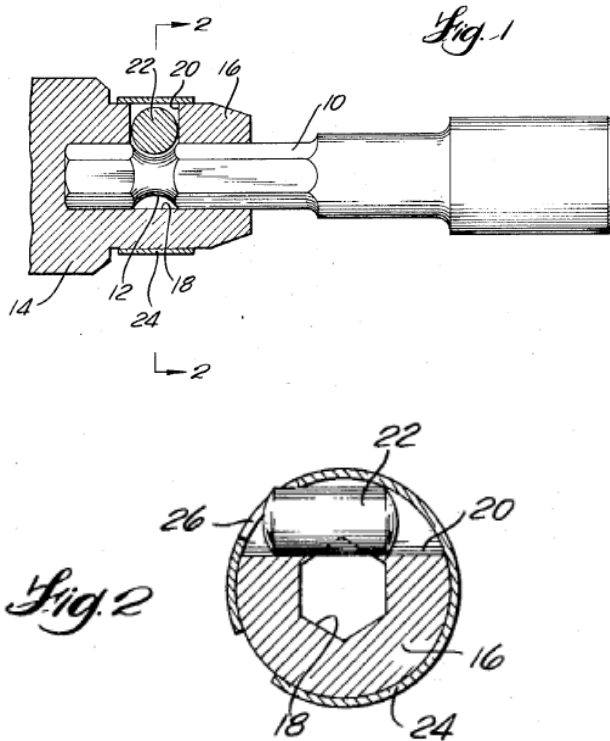
B23B 31/1071 is used for retention balls to hold the shank of the tool where the shank has a depression or groove to receive the ball.

B23B 31/22 is used for balls which form jaws in which the shank is solid and the balls that form jaws about the outer circumference of the shank.

B23B 31/1072

Definition statement

Replace: The existing image and text with the following updated image and text:



Chuck with axial or circumferential cylindrical detents. To be classified in this group, the cylindrical detents should enter a groove or recess in the shank being held.

Insert: A new Relationships with other classification places section:

Relationships with other classification places

B23B 31/1072 is used for cylindrical elements to hold the shank of the tool where the shank has a depression or groove to receive the cylindrical elements.

B23B 31/223 is used for cylindrical elements which form jaws in which the shank is solid and the cylindrical elements that form jaws about the outer circumference of the shank.

CPC NOTICE OF CHANGES 1481

DATE: AUGUST 1, 2023

PROJECT MP11749

4. CHANGES TO THE CPC-TO-IPC CONCORDANCE LIST (CICL)

<u>CPC</u>	<u>IPC</u>	<u>Action*</u>
B23B 31/223	B23B 31/12	UPDATED
B23B 31/226	B23B 31/12	UPDATED

* Action column:

- For an (N) or (Q) entry, provide an IPC symbol and complete the Action column with “NEW.”
- For an existing CPC main trunk entry or indexing entry where the existing IPC symbol needs to be changed, provide an updated IPC symbol and complete the Action column with “UPDATED.”
- For a (D) CPC entry or indexing entry complete the Action column with “DELETE.” IPC symbol does not need to be included in the IPC column.
- For an (N) 2000 series CPC entry which is positioned within the main trunk scheme (breakdown code) provide an IPC symbol and complete the action column with “NEW”.
- For an (N) 2000 series CPC entry positioned at the end of the CPC scheme (orthogonal code), with no IPC equivalent, complete the IPC column with “CPCONLY” and complete the action column with “NEW”.

NOTES:

- F symbols are not included in the CICL table above.
- T and M symbols are not included in the CICL table above unless a change to the existing IPC is desired.