

EUROPEAN PATENT OFFICE
U.S. PATENT AND TRADEMARK OFFICE

CPC NOTICE OF CHANGES 1561

DATE: JANUARY 1, 2024

PROJECT MP12212

The following classification changes will be effected by this Notice of Changes:

<u>Action</u>	<u>Subclass</u>	<u>Group(s)</u>
SCHEME:		
Titles Changed:	A24F	40/65
	A43B	3/48
	A44B	18/00
	A63F	9/32
	A63F	13/327, 13/355
	G04R	20/14
	G09G	SUBCLASS
	H01H	2219/0023
	H01L	31/0747, 31/075
	H04H	20/95
	H04M	1/72436
	H04N	21/234, 21/4363, 21/438, 21/44
DEFINITIONS:		
Definitions Modified:	A41H	37/001
	A44B	SUBCLASS, 18/00, 18/0069
	A47G	1/1606, 27/0481
	A63B	43/005
	A63F	13/327
	B25F	SUBCLASS
	B43K	25/00
	B65D	5/4275, 33/24
	B68G	7/12
	G09G	SUBCLASS
	H01L	31/0747, 31/075, 31/077
	H04M	1/72412
	H04N	21/2381, 21/436
	H04R	2201/109
	H04W	12/00, 12/121, 12/122

No other subclasses/groups are impacted by this Notice of Changes.

This Notice of Changes includes the following [Check the ones included]:

1. CLASSIFICATION SCHEME CHANGES

- A. New, Modified or Deleted Group(s)
- B. New, Modified or Deleted Warning(s)
- C. New, Modified or Deleted Note(s)

CPC NOTICE OF CHANGES 1561

DATE: JANUARY 1, 2024

PROJECT MP12212

D. New, Modified or Deleted Guidance Heading(s)

2. DEFINITIONS

A. New or Modified Definitions (Full definition template)

B. Modified or Deleted Definitions (Definitions Quick Fix)

3. REVISION CONCORDANCE LIST (RCL)

4. CHANGES TO THE CPC-TO-IPC CONCORDANCE LIST (CICL)

5. CHANGES TO THE CROSS-REFERENCE LIST (CRL)

CPC NOTICE OF CHANGES 1561

DATE: JANUARY 1, 2024

PROJECT MP12212

1. CLASSIFICATION SCHEME CHANGES

A. New, Modified or Deleted Group(s)

SUBCLASS A24F - SMOKERS' REQUISITES; MATCH BOXES; SIMULATED SMOKING DEVICES

<u>Type*</u>	<u>Symbol</u>	<u>Indent Level Number of dots (e.g. 0, 1, 2)</u>	<u>Title</u> “CPC only” text should normally be enclosed in {curly brackets}**	<u>Transferred to#</u>
M	A24F40/65	1	Devices with integrated communication means, e.g. wireless communication means	

SUBCLASS A43B - CHARACTERISTIC FEATURES OF FOOTWEAR; PARTS OF FOOTWEAR

<u>Type*</u>	<u>Symbol</u>	<u>Indent Level Number of dots (e.g. 0, 1, 2)</u>	<u>Title</u> “CPC only” text should normally be enclosed in {curly brackets}**	<u>Transferred to#</u>
M	A43B3/48	2	with transmitting devices, e.g. GSM or Wi-Fi®	

SUBCLASS A44B - BUTTONS, PINS, BUCKLES, SLIDE FASTENERS, OR THE LIKE

<u>Type*</u>	<u>Symbol</u>	<u>Indent Level Number of dots (e.g. 0, 1, 2)</u>	<u>Title</u> “CPC only” text should normally be enclosed in {curly brackets}**	<u>Transferred to#</u>
M	A44B18/00	0	Fasteners of the touch-and-close type; Making such fasteners	

SUBCLASS A63F - CARD, BOARD, OR ROULETTE GAMES; INDOOR GAMES USING SMALL MOVING PLAYING BODIES; VIDEO GAMES; GAMES NOT OTHERWISE PROVIDED FOR

<u>Type*</u>	<u>Symbol</u>	<u>Indent Level Number of dots (e.g. 0, 1, 2)</u>	<u>Title</u> “CPC only” text should normally be enclosed in {curly brackets}**	<u>Transferred to#</u>
M	A63F9/32	1	Games with a collection of long sticks, e.g. pick-up sticks (A63F9/30 takes precedence)	
M	A63F13/327	3	using wireless networks, e.g. Wi-Fi® or piconet	
M	A63F13/355	3	Performing operations on behalf of clients with restricted processing capabilities, e.g. servers transform changing game scene into an encoded video stream for transmitting to a mobile phone or a thin client	

SUBCLASS G04R - RADIO-CONTROLLED TIME-PIECES

CPC NOTICE OF CHANGES 1561

DATE: JANUARY 1, 2024

PROJECT MP12212

<u>Type*</u>	<u>Symbol</u>	<u>Indent Level</u> <u>Number of dots</u> <u>(e.g. 0, 1, 2)</u>	<u>Title</u> <u>“CPC only” text should normally be</u> <u>enclosed in {curly brackets}**</u>	<u>Transferred to#</u>
M	G04R20/14	1	the radio signal being a telecommunication standard signal, e.g. GSM	

SUBCLASS G09G - ARRANGEMENTS OR CIRCUITS FOR CONTROL OF INDICATING DEVICES USING STATIC MEANS TO PRESENT VARIABLE INFORMATION

<u>Type*</u>	<u>Symbol</u>	<u>Indent Level</u> <u>Number of dots</u> <u>(e.g. 0, 1, 2)</u>	<u>Title</u> <u>“CPC only” text should normally be</u> <u>enclosed in {curly brackets}**</u>	<u>Transferred to#</u>
M	G09G	Subclass	ARRANGEMENTS OR CIRCUITS FOR CONTROL OF INDICATING DEVICES USING STATIC MEANS TO PRESENT VARIABLE INFORMATION (arrangements for transferring data between digital computers and displays G06F 3/14; static indicating arrangements comprising an association of a number of separate sources or light control cells G09F 9/00; static indicating arrangements comprising integral associations of a number of light sources H01J, H01K, H01L, H05B 33/12; scanning, transmission or reproduction of documents or the like, e.g. facsimile transmission, details thereof H04N 1/00)	

SUBCLASS H01H - ELECTRIC SWITCHES; RELAYS; SELECTORS; EMERGENCY PROTECTIVE DEVICES

<u>Type*</u>	<u>Symbol</u>	<u>Indent Level</u> <u>Number of dots</u> <u>(e.g. 0, 1, 2)</u>	<u>Title</u> <u>“CPC only” text should normally be</u> <u>enclosed in {curly brackets}**</u>	<u>Transferred to#</u>
M	H01H2219/002 3	2	Images formed with electrophoretic technology, e.g. by charged pigment particles rearranged by applied electric field, e.g. electronic paper or e-paper, active ink	

SUBCLASS H01L - SEMICONDUCTOR DEVICES NOT COVERED BY CLASS H10

<u>Type*</u>	<u>Symbol</u>	<u>Indent Level</u> <u>Number of dots</u> <u>(e.g. 0, 1, 2)</u>	<u>Title</u> <u>“CPC only” text should normally be</u> <u>enclosed in {curly brackets}**</u>	<u>Transferred to#</u>
M	H01L31/0747	5	comprising a heterojunction of crystalline and amorphous materials, e.g. heterojunction with intrinsic thin layer	
M	H01L31/075	3	the potential barriers being only of the PIN type, e.g. amorphous silicon PIN solar cells	

CPC NOTICE OF CHANGES 1561

DATE: JANUARY 1, 2024

PROJECT MP12212

SUBCLASS H04H - BROADCAST COMMUNICATION

<u>Type*</u>	<u>Symbol</u>	<u>Indent Level</u> <u>Number of dots</u> <u>(e.g. 0, 1, 2)</u>	<u>Title</u> <u>“CPC only” text should normally be</u> <u>enclosed in {curly brackets}**</u>	<u>Transferred to#</u>
M	H04H20/95	2	characterised by a specific format, e.g. an encoded audio stream	

SUBCLASS H04M - TELEPHONIC COMMUNICATION

<u>Type*</u>	<u>Symbol</u>	<u>Indent Level</u> <u>Number of dots</u> <u>(e.g. 0, 1, 2)</u>	<u>Title</u> <u>“CPC only” text should normally be</u> <u>enclosed in {curly brackets}**</u>	<u>Transferred to#</u>
M	H04M1/72436	5	for text messaging, e.g. short messaging services [SMS] or e-mails	

SUBCLASS H04N - PICTORIAL COMMUNICATION, e.g. TELEVISION

<u>Type*</u>	<u>Symbol</u>	<u>Indent Level</u> <u>Number of dots</u> <u>(e.g. 0, 1, 2)</u>	<u>Title</u> <u>“CPC only” text should normally be</u> <u>enclosed in {curly brackets}**</u>	<u>Transferred to#</u>
M	H04N21/234	3	Processing of video elementary streams, e.g. splicing of video streams or manipulating encoded video stream scene graphs	
M	H04N21/4363	4	Adapting the video stream to a specific local network, e.g. a Bluetooth@network	
M	H04N21/438	3	Interfacing the downstream path of the transmission network originating from a server, e.g. retrieving encoded video stream packets from an IP network	
M	H04N21/44	3	Processing of video elementary streams, e.g. splicing a video clip retrieved from local storage with an incoming video stream or rendering scenes according to encoded video stream scene graphs	

*N = new entries where reclassification into entries is involved; C = entries with modified file scope where reclassification of documents from the entries is involved; Q = new entries which are firstly populated with documents via administrative transfers from deleted (D) entries. Afterwards, the transferred documents into the Q entry will either stay or be moved to more appropriate entries, as determined by intellectual reclassification; T = existing entries with enlarged file scope, which receive documents from C or D entries, e.g. when a limiting reference is removed from the entry title; M = entries with no change to the file scope (no reclassification); D = deleted entries; F = frozen entries will be deleted once reclassification of documents from the entries is completed; U = entries that are unchanged.

NOTES:

- **No {curly brackets} are used for titles in CPC only subclasses, e.g. C12Y, A23Y; 2000 series symbol titles of groups found at the end of schemes (orthogonal codes); or the Y section titles. The {curly brackets} are used for 2000 series symbol titles found interspersed throughout the main trunk schemes (breakdown codes).
- U groups: it is obligatory to display the required “anchor” symbol (U group), i.e. the entry immediately preceding a new group or an array of new groups to be created (in case new groups are not clearly subgroups of C-type groups). Always include the symbol, indent level and title of the U group in the table above.

CPC NOTICE OF CHANGES 1561

DATE: JANUARY 1, 2024

PROJECT MP12212

- All entry types should be included in the scheme changes table above for better understanding of the overall scheme change picture. Symbol, indent level, and title are required for all types.
- “Transferred to” column must be completed for all C, D, F, and Q type entries. F groups will be deleted once reclassification is completed.
- When multiple symbols are included in the “Transferred to” column, avoid using ranges of symbols in order to be as precise as possible.
- For administrative transfer of documents, the following text should be used: “<administrative transfer to XX>”, “<administrative transfer to XX and YY simultaneously>”, or “<administrative transfer to XX, YY, ...and ZZ simultaneously>” when administrative transfer of the same documents is to more than one place.
- Administrative transfer to main trunk groups is assumed to be the source allocation type, unless otherwise indicated.
- Administrative transfer to 2000/Y series groups is assumed to be “additional information”.
- If needed, instructions for allocation type should be indicated within the angle brackets using the abbreviations “ADD” or “INV”: <administrative transfer to XX ADD> , <administrative transfer to XX INV>, or <administrative transfer to XX ADD, YY INV, ... and ZZ ADD simultaneously>.
- In certain situations, the “D” entries of 2000-series or Y-series groups may not require a destination (“Transferred to”) symbol, however it is required to specify “<no transfer>” in the “Transferred to” column for such cases.
- For finalization projects, the deleted “F” symbols should have <no transfer> in the “Transferred to” column.
- For more details about the types of scheme change, see CPC Guide.

2. A. DEFINITIONS (modified)

A41H 37/001

Special rules of classification

Replace: The existing Special rules text with the following updated text.

For setting buttons, buckles, snap, hook-and-loop fasteners, etc.

A44B

Definition statement

Replace: The following line beginning with “Making slide fasteners...” with the following updated line. The rest of the section should remain as-is.

Making slide fasteners, touch-and-close fasteners (e.g. hook-and-loop or barb-and-pile fabrics) and other fasteners of this subclass.

Relationships with other classification places

Replace: The following line from the Relationships text with the following updated text.

General relationship of [A44B](#) with subclasses for accoutrements, garments or haberdashery.

References

Limiting references

This place does not cover:

Replace: The existing Limiting references table with the following updated table.

Fastening devices specially adapted for specific types of garments	A41F
--	----------------------

CPC NOTICE OF CHANGES 1561

DATE: JANUARY 1, 2024

PROJECT MP12212

Buttonholes or eyelets for buttonholes	A41F 1/02
Corset fasteners	A41F 1/04
Glove fasteners	A41F 1/06
Garter fasteners	A41F 1/08
Belts, girdles or waistbands for trousers or skirts	A41F 9/00
Thumbtacks	B43M 15/00
Devices for fastening or securing constructional elements or machine parts together	F16B
Hand-manipulated hooks or eyes (e.g. swivel hook for dog leash)	F16B 45/00

Insert: The following new Informative references section.

Informative references

Attention is drawn to the following places, which may be of interest for search:

For garments in general	A41D
For protective aprons having fastening devices	A41D 13/04
For neckties having fastening or holding devices associated with the knot or collar	A41D 25/00
For hats having fastening devices	A42B 1/00
For head covering fastening means other than hatpins	A42B 7/00
For laces in general and for footwear having fastening devices	A43C
For machines, tools, equipment or methods for setting fasteners on footwear	A43D 100/00
For brooches or clips having decorative or ornamental aspects	A44C 1/00
For medals or badges having pin fastening devices	A44C 3/00
For hair-holding devices	A45D 8/00
For work bench type holding clamps	B25B 5/00

CPC NOTICE OF CHANGES 1561

DATE: JANUARY 1, 2024

PROJECT MP12212

For paper clips or like paper fasteners for temporarily attaching sheets together	B42F 1/02
For elements specially adapted for fastening, fixing or finishing upholstery	B68G 7/12
For sewing apparatus or machines with mechanism for lateral movement of the needle or the work or both for making ornamental pattern seams, for sewing buttonholes, for reinforcing openings or for fastening articles (e.g. buttons) by sewing	D05B 3/00
For sewing needles	D05B 85/00
For hand operated latches or bolts for doors or windows (e.g. door hooks)	E05C

Special rules of classification

Replace: The existing Special rules text with the following updated text.

This subclass covers buckles, hook-and-loop or slide fasteners whether used as haberdashery (i.e. for clothing) or otherwise only if there's no other class for the specific application.

Please note that there are also additional symbols in [A44D](#) other than the ones relating to Indexing Code mirror.

For classification of additional functions or features the non-Mirror Indexing Code symbols of [A44D](#) should be used.

Decorative mock-fastening devices that do not function as fasteners (e.g. ornamental buttons on coats, fake zippers on clothing), but that look like the fasteners or one of their essential parts covered by [A44B](#), are classified within the main groups of this subclass that provide for the fasteners they are intended to resemble.

Reference A43C is non-limiting in the subclass [A43B](#). CPC will be corrected once this inconsistency is resolved in IPC.

DATE: JANUARY 1, 2024

PROJECT MP12212

A44B 18/00**References****Limiting references***This place does not cover:*Replace: The existing Limiting references table with the following updated table.

Method of manufacturing hook-and-loop fasteners for absorbing pads	A61F 13/15756
Hook-and-loop fasteners for absorbing pads, diapers	A61F 13/62
Cleaning, use of a film provided with piles of nanorange to prevent fouling or dust deposits	B08B
Bundling articles with straps	B65B 13/027
Delivering devices	B65H 35/00
Basic microstructures	B81B 2203/00, B81B 3/0005
Manufacturing micro- or nanostructures	B81C
Arrays of nanoscale structures	B81C 1/00031
Nanostructures	B82B 1/00, B82B 3/00
Adhesive with protrusions	C09J
Adhesive in form of film/foils	C09J 7/00
Joining sheets by hook-and-loop	F16B 5/07
Suction cups for attachment and equivalent means using adhesives	F16B 47/00
Nanofibers	B82Y 30/00

DATE: JANUARY 1, 2024

PROJECT MP12212

Special rules of classification

Replace: The existing Special rules text with the following updated text.

This subclass covers hook-and-loop fasteners whether used as haberdashery (i.e. for clothing) or otherwise only if there's no other class for the specific application (see Informative References).

This subclass does not cover piles with nanometer dimension (also called "dry adhesive", surface treatment, van de Waals force), it's not a hook-and-loop fastener as there's no counterpart for fastening.

Adhesive in form of film/foils	C09J 7/00
Adhesive with protrusions	C09J
Nanofibers	B82Y 30/00

A44B 18/0069

References

Limiting references

This place does not cover:

Replace: The existing Limiting references table with the following update table.

Joining sheets by hook-and-loop fasteners	F16B 5/07
---	-----------

A47G 1/1606

Definition statement

Replace: The term "Velcro" in the paragraph of the Definition statement with "hook-and-loop fastener". The images in the section should remain as-is.

Devices comprising a member to be fixed to a wall or the like surface and a member to be fixed to a picture, the shape of each member is specially adapted

DATE: JANUARY 1, 2024

PROJECT MP12212

to the shape of the other, e.g. a male and a female member, hook-and-loop fastener. "Specially adapted" is to be interpreted as differing from the conventional wall fasteners as nails, screws, etc. and the conventional picture fasteners as suspension cords, loops, eyes etc. The picture member might be an integral part of the picture (frame).

A47G 27/0481

Definition statement

Replace: The term "Velcro" in the Definition statement with "hook-and-loop fastener".

Means for interconnecting carpet tiles e.g. seaming strips (hook-and-loop fastener), zippers, hooks, hinges, sewing.

A63B 43/005

References

Informative references

Attention is drawn to the following places, which may be of interest for search:

Replace: The term "Velcro" with "hook-and-loop fasteners" in the Informative references table.

(Sports equipment in general) with adhesive type surfaces, e.g. hook-and-loop fasteners	A63B 2209/10
---	------------------------------

A63F 13/327

Definition statement

Replace: The existing Definition statement text with the following updated text. Leave the image as-is.

DATE: JANUARY 1, 2024

PROJECT MP12212

Arrangements for locally connecting game devices using an air interface.

Connections based on standardized protocols are used such as WiFi® or Bluetooth®.

Connections based on game device specific protocols using for example the Infrared interface of hand-held devices.

References

Informative references

Attention is drawn to the following places, which may be of interest for search:

Replace: The existing Informative references table with the following updated table.

Transmission through free space	H04B 10/11
Small-scale wireless networks; Flat hierarchical wireless networks	H04W 84/10

B25F

References

Limiting references

This place does not cover:

Replace: The existing Limiting references table with the following updated table.

Combinations or associations of metal-working machines, not directed to a particular result; Details, components or accessories for machine tools	B23Q
---	----------------------

DATE: JANUARY 1, 2024

PROJECT MP12212

References out of a residual place

Examples of places in relation to which this place is residual:

Replace: The existing References out of a residual place table with the following updated table.

Hand-held or like portable drilling machines and constructional features of components specially designed for boring or drilling machines	B23B 45/00, B23B 47/00
Tools or bench devices not otherwise provided for, for fastening, connecting, disengaging or holding	B25B
Hand tools not covered by any other group in subclass B25B	B25B 33/00
Hand-held nailing or stapling tools; Manually-operated portable stapling tools	B25C
Percussive tools	B25D
Handles of portable power-driven percussive tools	B25D 17/04
Hand- or power-operated combination tools for opening closed containers, e.g. comprising cork-screws, can piercers, crown-cap removers	B67B 7/44

Glossary of terms

In this place, the following terms or expressions are used with the meaning indicated:

Replace: The text in the following two references with the following updated text.

Association of power-driven tools	A power-driven object having two or more tools, which are designed to perform different specific tasks, e.g. a rotary power tool with exchangeable tools for boring, milling, grinding, polishing, etc.
Combination hand tools	Manually operated object involving two, or possibly more than two (but a confined number of), clearly defined purposes (having two or more tools put together for different purposes), e.g. multi-plier tool.

B43K 25/00

Definition statement

Replace: The existing Definition statement text with the following updated text.

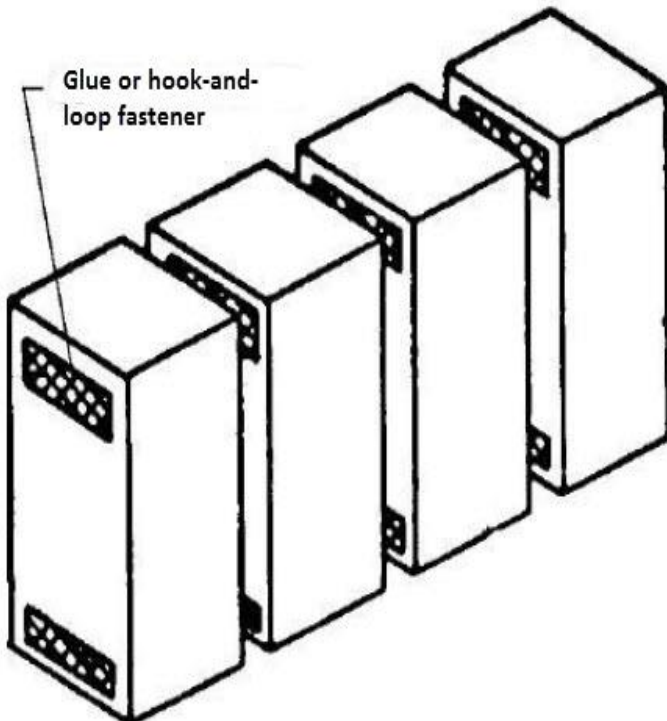
- attaching means for attaching writing implements to wearing apparel or objects, like e.g. tether, magnet, necklace, chain, ring, hook-and-loop fabric or clips.

B65D 5/4275

Definition statement

Replace: The existing Definition statement text and image with the following updated text and image.

Illustrative example of subject matter classified in this group (glue or hook-and-loop fastener):



Relationships with other classification places

Replace: The existing Relationships text with the following updated text.

For hook-and-loop fasteners add [B65D 2313/02](#).

B65D 33/24

References

Limiting references

This place does not cover:

Replace: The existing Limiting references table with the following updated table.

Riveting; Dovetailing; Screwing; Using press buttons or slide fasteners	B65D 33/25
---	----------------------------

Insert: The following new Informative references section.

Informative references

Attention is drawn to the following places, which may be of interest for search:

Force of static electricity; Two resilient self-closing bands	B65D 33/30
Hook-and-loop fastener bands	B65D 2313/02
Magnetic	B65D 2313/04

DATE: JANUARY 1, 2024

PROJECT MP12212

B68G 7/12

Definition statement

Replace: The existing Definition statement text with the following updated text.

Methods/processes for attaching or fastening upholstery in general, if not otherwise provided for:

- e.g. covers to upholstery or their frame;
- e.g. fixing handles on mattresses;
- e.g. placing attaching means, e.g. hook-and-loop bands, during the moulding;
- e.g. fixing median bands on mattresses

H01L 31/0747

Definition statement

Replace: The existing Definition statement text with the following updated text. The images should remain as-is.

Heterojunction photovoltaic devices wherein the heterojunction barrier consists in two different group IV materials with different crystalline structures (with or without a thin intrinsic interlayer in-between).

Illustrative example of the subject matter classified in H01L 31/0747:

References

Delete: The entire Limiting references section.

Informative references

Attention is drawn to the following places, which may be of interest for search:

Insert: The following new reference in the Informative references table.

P-i-n solar cells with the intrinsic part composed of one amorphous sublayer and one microcrystalline sublayer, both being absorption layers (meaning of similar thicknesses)	H01L 31/075
---	-------------

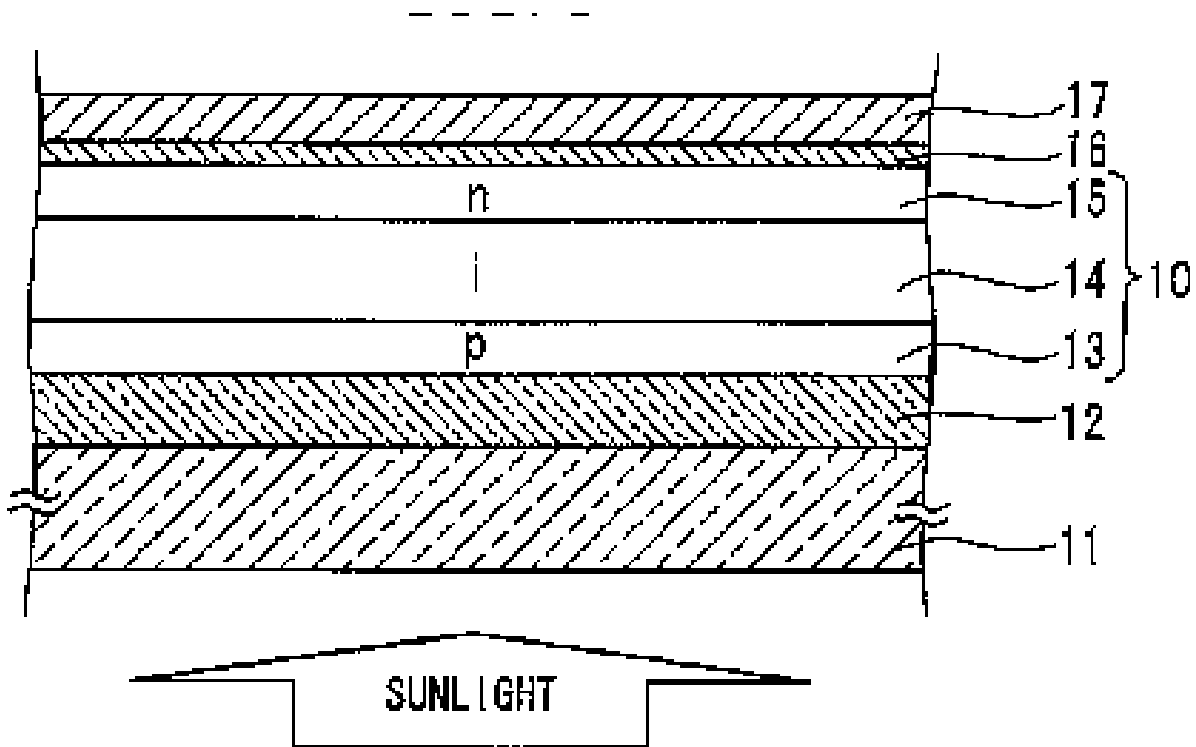
H01L 31/075

Definition statement

Replace: The existing Definition statement text and image with the following updated text and image.

- Photovoltaic devices wherein the potential barrier consists of a p-i-n structure, the intrinsic layer being the light absorbing layer.

Illustrative example of the subject matter classified in H01L 31/075:



DATE: JANUARY 1, 2024

PROJECT MP12212

Most solar cells having p-i-n structure are made of a-Si with a thicker i layer between thinner p and n layers.

Special rules of classification

Replace: The existing Special rules text with the following updated text.

p-n structures including a very thin intrinsic inter-layer, which is not the absorbing layer of the structure are considered to be PN heterojunctions, which are covered by group [H01L 31/0747](#).

If all p, i and n layers are crystalline, i.e. poly- or monocrystalline, not microcrystalline, then [H01L 31/077](#).

H01L 31/077

References

Delete: The entire Limiting references section.

Informative references

Attention is drawn to the following places, which may be of interest for search:

Insert: The following new reference in the Informative references table.

P-n structure with very thin intrinsic interlayer which does not act as the absorbing region of the structures	H01L 31/0747
--	------------------------------

H04M 1/72412

Definition statement

Replace: The existing Definition statement text with the following updated text. The image should remain as-is.

Extended functionality obtained by connecting external accessories via short-range radio links, e.g. Bluetooth®.

DATE: JANUARY 1, 2024

PROJECT MP12212

Illustrative example of the subject matter classified in H04M 1/72412:

A mobile phone 10 operating as a master performs a request to establish a piconet with a computer 21, a printer 22, a PDA 23, and a headset 24 located in an operating range 20 allowing direct connection. The computer 21 can form another piconet with a speaker 30.

H04N 21/2381

References

Insert: The following new Informative references section.

Informative references

Attention is drawn to the following places, which may be of interest for search:

Adapting the video stream to a specific local network, e.g. a Bluetooth® network	H04N 21/4363
--	------------------------------

H04N 21/436

Definition statement

Replace: The existing Definition statement text with the following updated text.

- A series of interfaces allowing to communicate with cards and peripheral devices. It includes for example the DVB common interface, secure local communication, e.g. with a smart card or a video recorder, via IEEE 1394 connection to other video devices.
- Communication aspects with these devices when the client becomes a home server.

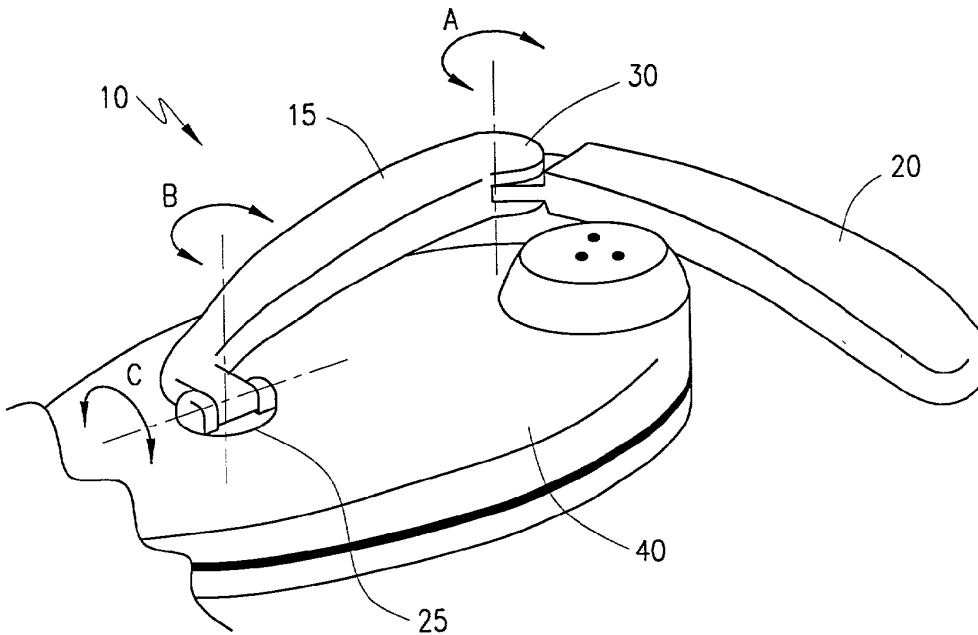
H04R 2201/109

Definition statement

Replace: The existing Definition statement with the following updated statement.

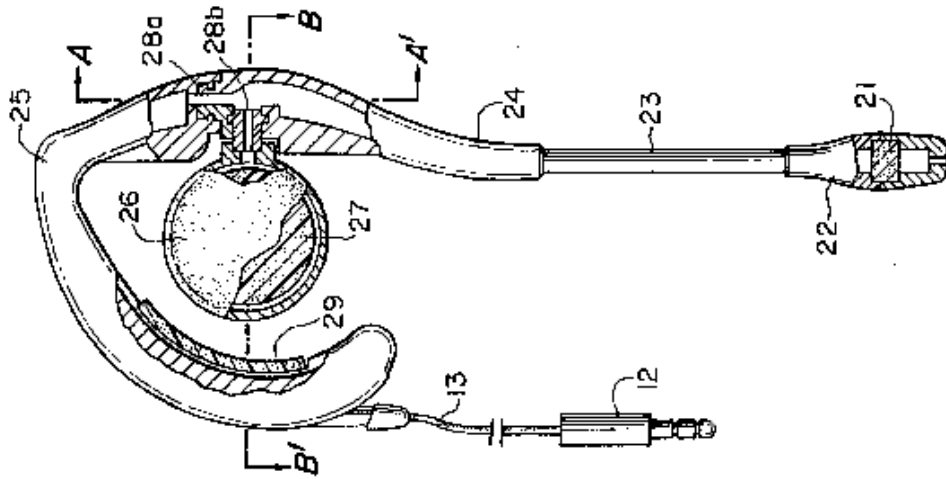
First illustrative example of the subject matter classified in H04R2201/109:

1. Monophonic: rotatable joint 25 enables rotation about axes B and C.



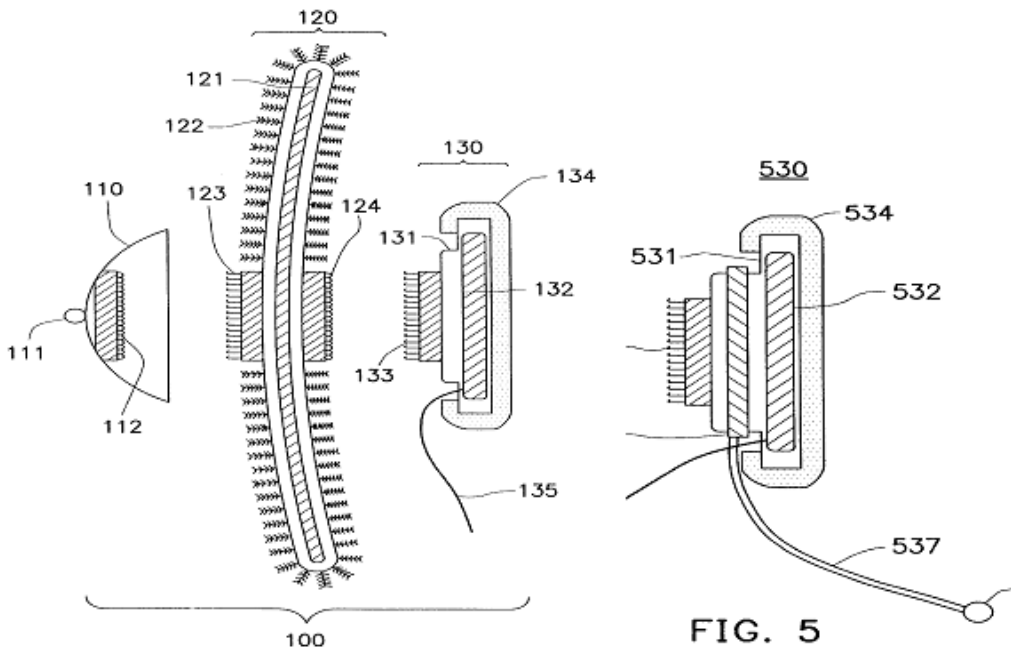
Second illustrative example of subject matter classified in H04R2201/109:

2. Monophonic: rotatable joints 28a and 28b enable rotation of the microphone arm 24 and of the earpiece, respectively.



Third illustrative example of subject matter classified in H04R2201/109:

3. Stereophonic earpieces are releasably mounted using hook-and-loop type fastener.



H04W 12/00

Definition statement

Delete: The term “[NFC]” from the first paragraph of the Definition statement, so that the updated statement appears as follows.

Security arrangements for wireless communications networks, e.g. wireless sensor networks, self-organizing wireless networks, wireless local loop, and for near field communication networks.

It covers:

- protecting privacy or anonymity
- protecting confidentiality
- key management
- authentication
- access security
- integrity
- fraud detection and prevention
- mobile application security
- using identity modules
- secure pairing of devices
- context-dependent security
- lawful interception

Synonyms and Keywords

In patent documents, the following abbreviations are often used:

Replace: The existing Synonyms and Keywords table with the following updated table.

2G	Second Generation
3G	Third Generation
4G	Fourth Generation
5G	Fifth Generation

CPC NOTICE OF CHANGES 1561

DATE: JANUARY 1, 2024

PROJECT MP12212

ACL	Access Control List
AP	Access Point
API	Application Programming Interface
botnet	Robot Network
Cell ID	Cell IDentity
DoS	Denial of Service
DDoS	Distributed Denial of Service
EAP	Extensible Authentication Protocol
EAP-AKA	Extensible Authentication Protocol-Authentication and Key Agreement
EAP-SIM	Extensible Authentication Protocol-Subscriber Identity Module
EAP-TLS	Extensible Authentication Protocol-Transport Layer Security
eSIM	Embedded Subscriber Identity Module
eSE	Embedded Secure Element
eSSID	Extended Service Set IDentifier
eUICC	Embedded Universal Integrated Circuit Card
GBA	Generic Bootstrapping Architecture
GSM-AKA	Global System for Mobile Communications-Authentication and Key Agreement
ID	IDentity or IDentifier
IEEE 802.1x	Institute of Electrical and Electronics Engineers standard 802.1x.
ICC-ID	Integrated Circuit Card IDentifier
IMEI	International Mobile Equipment Identifier
IMSI	International Mobile Subscriber Identity
ISIM	IMS (IP Multimedia Subsystem) Subscriber Identity Module
LI	Lawful or Legal Interception
M2M	Machine-to-Machine
MCIM	Machine-to-machine Communication Identity Module

CPC NOTICE OF CHANGES 1561

DATE: JANUARY 1, 2024

PROJECT MP12212

MEID	Mobile Equipment IDentifier
MITM	Man-In-The-Middle
MSIN	Mobile Subscriber Identification Number
MSISDN	Mobile Station International Subscriber Directory Number
Multi-SIM	Multiple SIMs
MTM	Mobile Trusted Module
NAS	Non-Access Stratum
NFC	Near Field Communication
OAuth	Open Authorisation
OpenID	Open IDentity
OOB	out of band
OTAR	Over-The-Air Rekeying
P2P	peer-to-peer
PCID	Provisional Connectivity IDentity
PII	Personally Identifiable Information
QR	Quick Response
RBAC	Role Based Access Control
RF	Radio Frequency
RFID	Radio Frequency IDentifier
RRC	Radio Resource Control
RTT	Round Trip Time
RUIM	Removable User Identity Module
SE	Secure Element
SIM	Subscriber Identity Module
SMS	Short Message Service
SSID	Service Set IDentifier
TMSI	Temporary Mobile Station Identity
UICC	Universal Integrated Circuit Card

DATE: JANUARY 1, 2024

PROJECT MP12212

UMTS-AKA	Universal Mobile Telecommunications System-Authentication and Key Agreement
USB	Universal Serial Bus
USIM	Universal Subscriber Identity Module
WEP	Wired Equivalent Privacy
Wi-Fi®	Wireless Fidelity
WLAN	Wireless Local Area Network
WPA™	Wi-Fi Protected Access®
WPS	Wi-Fi Protected Setup™

H04W 12/121**Definition statement**

Replace: The existing Definition statement text with the following updated text.

Security arrangements specially adapted for wireless communication networks for wireless intrusion detection and protection, comprising:

- Detecting or preventing intrusions using identifiers in general for example a MAC address, or a Bluetooth® address, or
- Detecting or preventing intrusions using radio fingerprints identifiers.

H04W 12/122**Definition statement**

Replace: The existing Definition statement text with the following updated text.

Security arrangements specially adapted for wireless communication networks for countermeasures against attacks, e.g. to protect against rogue devices, comprising:

- Protecting against bidding down or downgrading attacks,

CPC NOTICE OF CHANGES 1561

DATE: JANUARY 1, 2024

PROJECT MP12212

- Protecting against rogue WLAN AP or cellular Base Station spoofing legitimate APs or base stations,
- Protecting against wireless short range (e.g. RFID, NFC, Bluetooth®) man-in-the-middle [MITM] or wireless relay attacks,
- Protecting against selfish nodes dropping legitimate packets or impersonating other nodes,
- Isolating malicious wireless devices or malicious wireless traffic, or
- Quarantining malicious wireless devices or dropping malicious wireless traffic.

CPC NOTICE OF CHANGES 1561

DATE: JANUARY 1, 2024

PROJECT MP12212

2. B. DEFINITIONS QUICK FIX

<u>Symbol</u>	<u>Location of change</u> (e.g., section title)	<u>Existing reference symbol or text</u>	<u>Action; New symbol; New text</u>
G09G	Limiting references	Optical devices or arrangements using movable or deformable optical elements for controlling the intensity of light, e.g. displays based on the rotation of particles under the influence of an external field, e.g. twisting microsphere displays (gyricons®) G02B 26/02	<u>Replace</u> with: Optical devices or arrangements using movable or deformable optical elements for controlling the intensity of light, e.g. displays based on the rotation of particles under the influence of an external field, e.g. twisting microsphere displays G02B 26/02

NOTES:

- The table above is used for corrections or modifications to existing definitions, e.g. delete an entire definition or part thereof; propose new wording or modify wording of a section, change the symbol the definition is associated with, change or delete a reference symbol, etc.
- Do not delete (F) symbol definitions.