

EUROPEAN PATENT OFFICE
U.S. PATENT AND TRADEMARK OFFICE

CPC NOTICE OF CHANGES 1563

DATE: JANUARY 1, 2024

PROJECT RP12197

The following classification changes will be effected by this Notice of Changes:

<u>Action</u>	<u>Subclass</u>	<u>Group(s)</u>
SCHEME:		
Symbols Deleted:	G06T	3/0006, 3/0012, 3/0018, 3/0025, 3/0031, 3/0037, 3/0043, 3/005, 3/0056, 3/0062, 3/0068, 3/0075, 3/0081, 3/0087, 3/0093
Symbols New:	G06T	3/02, 3/04, 3/047, 3/053, 3/06, 3/067, 3/073, 3/08, 3/10, 3/12, 3/14, 3/147, 3/153, 3/16, 3/18
Titles Changed:	G06T	3/00, 3/20, 3/40, 3/4007, 3/4015, 3/4023, 3/403, 3/4038, 3/4046, 3/4053, 3/4061, 3/4069, 3/4076, 3/4084, 3/4092, 3/60, 3/602, 3/604, 3/606, 3/608
Definitions Deleted: (no frozen (F) symbol definitions should be deleted)	G06T	3/0006, 3/0012, 3/0018, 3/0025, 3/0031, 3/0037, 3/0043, 3/005, 3/0056, 3/0062, 3/0068, 3/0081, 3/0087, 3/0093
Definitions New:	G06T	3/02, 3/04, 3/047, 3/053, 3/06, 3/067, 3/073, 3/08, 3/10, 3/12, 3/14, 3/153, 3/16, 3/18
Definitions Modified:	G06T	3/40, 3/4007, 3/4015, 3/4023, 3/403, 3/4038, 3/4046, 3/4053, 3/4069, 3/4076, 3/4084, 3/4092, 3/602, 3/606, 3/608

The following subclasses/groups are also impacted by this Notice of Changes (indicate subclasses/groups outside of the project scope, such as those listed in the CRL): A61B 5/7425, A61B 6/5229, G06T 7/30, G06T 13/00, G06T 13/80, G06T 15/00, G06T 15/10, G06T 17/05, G06T 19/00

This Notice of Changes includes the following:

1. CLASSIFICATION SCHEME CHANGES

- A. New, Modified or Deleted Group(s)
- B. New, Modified or Deleted Warning(s)
- C. New, Modified or Deleted Note(s)
- D. New, Modified or Deleted Guidance Heading(s)

2. DEFINITIONS

- A. New or Modified Definitions (Full definition template)
- B. Modified or Deleted Definitions (Definitions Quick Fix)

3. REVISION CONCORDANCE LIST (RCL)

4. CHANGES TO THE CPC-TO-IPC CONCORDANCE LIST (CICL)

5. CHANGES TO THE CROSS-REFERENCE LIST (CRL)

DATE: JANUARY 1, 2024

PROJECT RP12197

1. CLASSIFICATION SCHEME CHANGES

A. New, Modified or Deleted Group(s)

SUBCLASS G06T - IMAGE DATA PROCESSING OR GENERATION, IN GENERAL

<u>Type*</u>	<u>Symbol</u>	<u>Indent Level</u> <u>Number of dots</u> <u>(e.g. 0, 1, 2)</u>	<u>Title</u> <u>“CPC only” text should normally be</u> <u>enclosed in {curly brackets}**</u>	<u>Transferred to#</u>
M	G06T 3/00	0	Geometric image transformations in the plane of the image	
D	G06T 3/0006	1	{Affine transformations (G06T 3/4038, G06T 3/0068 take precedence)}	<administrative transfer to G06T 3/02>
D	G06T 3/0012	1	{Context preserving transformation, e.g. by using an importance map (G06T 3/0062 takes precedence)}	<administrative transfer to G06T 3/04>
D	G06T 3/0018	2	{Fisheye, wide-angle transformation}	<administrative transfer to G06T 3/047>
D	G06T 3/0025	2	{Detail-in-context presentation (G06T 3/0018 takes precedence)}	<administrative transfer to G06T 3/053>
D	G06T 3/0031	1	{for topological mapping of a higher dimensional structure on a lower dimensional surface}	<administrative transfer to G06T 3/06>
D	G06T 3/0037	2	{Reshaping or unfolding a 3D tree structure onto a 2D plane}	<administrative transfer to G06T 3/067>
D	G06T 3/0043	2	{Surface of revolution to planar image transformation}	<administrative transfer to G06T 3/073>
D	G06T 3/005	1	{for projecting an image on a non-planar surface, e.g. a geodetic screen}	<administrative transfer to G06T 3/08>
D	G06T 3/0056	1	{the transformation method being selected according to the characteristics of the input image}	<administrative transfer to G06T 3/10>
D	G06T 3/0062	1	{Panospheric to cylindrical image transformation}	<administrative transfer to G06T 3/12>
D	G06T 3/0068	1	{for image registration, e.g. elastic snapping}	<administrative transfer to G06T 3/14>
D	G06T 3/0075	2	{using affine transformations}	<administrative transfer to G06T 3/147>
D	G06T 3/0081	2	{by elastic snapping}	<administrative transfer to G06T 3/153>
D	G06T 3/0087	1	{Spatio-temporal transformations, e.g. video cubism}	<administrative transfer to G06T 3/16>
D	G06T 3/0093	1	{for image warping, i.e. transforming by individually repositioning each pixel}	<administrative transfer to G06T 3/18>
N	G06T 3/02	1	Affine transformations (for image registration G06T 3/147; for image mosaicing G06T 3/4038)	
N	G06T 3/04	1	Context-preserving transformations, e.g. by using an importance map	

CPC NOTICE OF CHANGES 1563

DATE: JANUARY 1, 2024

PROJECT RP12197

			(panospheric to cylindrical image transformations G06T 3/12)	
N	G06T 3/047	2	Fisheye or wide-angle transformations	
N	G06T 3/053	2	Detail-in-context presentations (fisheye or wide-angle transformations G06T 3/047)	
N	G06T 3/06	1	Topological mapping of higher dimensional structures onto lower dimensional surfaces	
N	G06T 3/067	2	Reshaping or unfolding 3D tree structures onto 2D planes	
N	G06T 3/073	2	Transforming surfaces of revolution to planar images, e.g. cylindrical surfaces to planar images	
N	G06T 3/08	1	Projecting images onto non-planar surfaces, e.g. geodetic screens	
N	G06T 3/10	1	Selection of transformation methods according to the characteristics of the input images	
N	G06T 3/12	1	Panospheric to cylindrical image transformations	
N	G06T 3/14	1	Transformations for image registration, e.g. adjusting or mapping for a alignment of images	
N	G06T 3/147	2	using affine transformations	
N	G06T 3/153	2	using elastic snapping	
N	G06T 3/16	1	Spatio-temporal transformations, e.g. video cubism	
N	G06T 3/18	1	Image warping, e.g. rearranging pixels individually	
M	G06T 3/20	1	Linear translation of whole images or parts thereof, e.g. panning	
M	G06T 3/40	1	Scaling of whole images or parts thereof, e.g. expanding or contracting	
M	G06T 3/4007	2	based on interpolation, e.g. bilinear interpolation (image demosaicing G06T 3/4015; edge-driven or edge-based scaling G06T 3/403)	
M	G06T 3/4015	2	Image demosaicing, e.g. colour filter arrays [CFA] or Bayer patterns	
M	G06T 3/4023	2	based on decimating pixels or lines of pixels; based on inserting pixels or lines of pixels	
M	G06T 3/403	2	Edge-driven scaling; Edge-based scaling	
M	G06T 3/4038	2	Image mosaicing, e.g. composing plane images from plane sub-images	
M	G06T 3/4046	2	using neural networks	

CPC NOTICE OF CHANGES 1563

DATE: JANUARY 1, 2024

PROJECT RP12197

M	G06T 3/4053	2	based on super-resolution, i.e. the output image resolution being higher than the sensor resolution	
M	G06T 3/4061	3	by injecting details from different spectral ranges	
M	G06T 3/4069	3	by subpixel displacements	
M	G06T 3/4076	3	using the original low-resolution images to iteratively correct the high-resolution images	
M	G06T 3/4084	2	in the transform domain, e.g. fast Fourier transform [FFT] domain scaling	
M	G06T 3/4092	2	Image resolution transcoding, e.g. by using client-server architectures	
M	G06T 3/60	1	Rotation of whole images or parts thereof	
M	G06T 3/602	2	by block rotation, e.g. by recursive reversal or rotation	
M	G06T 3/604	2	using coordinate rotation digital computer [CORDIC] devices	
M	G06T 3/606	2	by memory addressing or mapping	
M	G06T 3/608	2	by skew deformation, e.g. two-pass or three-pass rotation	

*N = new entries where reclassification into entries is involved; C = entries with modified file scope where reclassification of documents from the entries is involved; Q = new entries which are firstly populated with documents via administrative transfers from deleted (D) entries. Afterwards, the transferred documents into the Q entry will either stay or be moved to more appropriate entries, as determined by intellectual reclassification; T = existing entries with enlarged file scope, which receive documents from C or D entries, e.g. when a limiting reference is removed from the entry title; M = entries with no change to the file scope (no reclassification); D = deleted entries; F = frozen entries will be deleted once reclassification of documents from the entries is completed; U = entries that are unchanged.

NOTES:

- **No {curly brackets} are used for titles in CPC only subclasses, e.g. C12Y, A23Y; 2000 series symbol titles of groups found at the end of schemes (orthogonal codes); or the Y section titles. The {curly brackets} are used for 2000 series symbol titles found interspersed throughout the main trunk schemes (breakdown codes).
- U groups: it is obligatory to display the required “anchor” symbol (U group), i.e. the entry immediately preceding a new group or an array of new groups to be created (in case new groups are not clearly subgroups of C-type groups). Always include the symbol, indent level and title of the U group in the table above.
- All entry types should be included in the scheme changes table above for better understanding of the overall scheme change picture. Symbol, indent level, and title are required for all types.
- “Transferred to” column must be completed for all C, D, F, and Q type entries. F groups will be deleted once reclassification is completed.
- When multiple symbols are included in the “Transferred to” column, avoid using ranges of symbols in order to be as precise as possible.
- For administrative transfer of documents, the following text should be used: “<administrative transfer to XX>”, “<administrative transfer to XX and YY simultaneously>”, or “<administrative transfer to XX, YY, ...and ZZ simultaneously>” when administrative transfer of the same documents is to more than one place.

CPC NOTICE OF CHANGES 1563

DATE: JANUARY 1, 2024

PROJECT RP12197

- Administrative transfer to main trunk groups is assumed to be the source allocation type, unless otherwise indicated.
- Administrative transfer to 2000/Y series groups is assumed to be “additional information”.
- If needed, instructions for allocation type should be indicated within the angle brackets using the abbreviations “ADD” or “INV”: <administrative transfer to XX ADD> , <administrative transfer to XX INV>, or <administrative transfer to XX ADD, YY INV, ... and ZZ ADD simultaneously>.
- In certain situations, the “D” entries of 2000-series or Y-series groups may not require a destination (“Transferred to”) symbol, however it is required to specify “<no transfer>” in the “Transferred to” column for such cases.
- For finalization projects, the deleted “F” symbols should have <no transfer> in the “Transferred to” column.
- For more details about the types of scheme change, see CPC Guide.

2. A. DEFINITIONS (new)

Insert: The following new Definitions.

G06T 3/02

Definition statement

This place covers:

Scaling and rotation.

References

Limiting references

This place does not cover:

Affine transformations for image registration, e.g. elastic snapping	G06T 3/147
Affine transformations for image mosaicing	G06T 3/4038

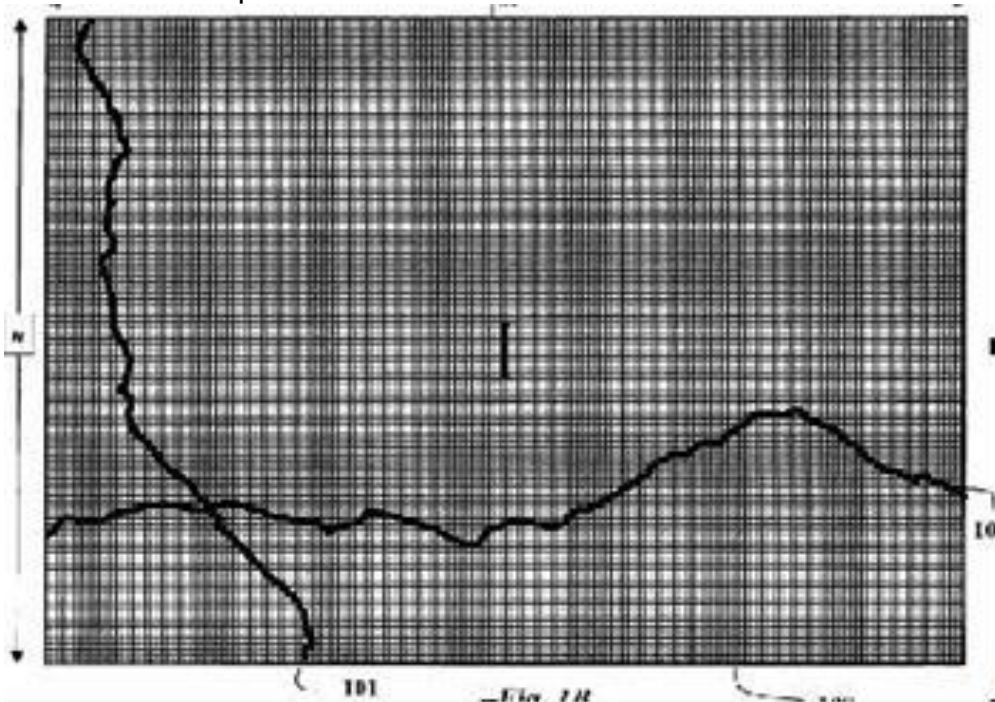
G06T 3/04

Definition statement

This place covers:

- Selective warping according to an importance map; Smart image reduction.
- Seam carving; Liquid resizing; Image retargeting.

Illustrative example:



References

Limiting references

This place does not cover:

Panospheric to cylindrical image transformation	G06T 3/12
---	-----------

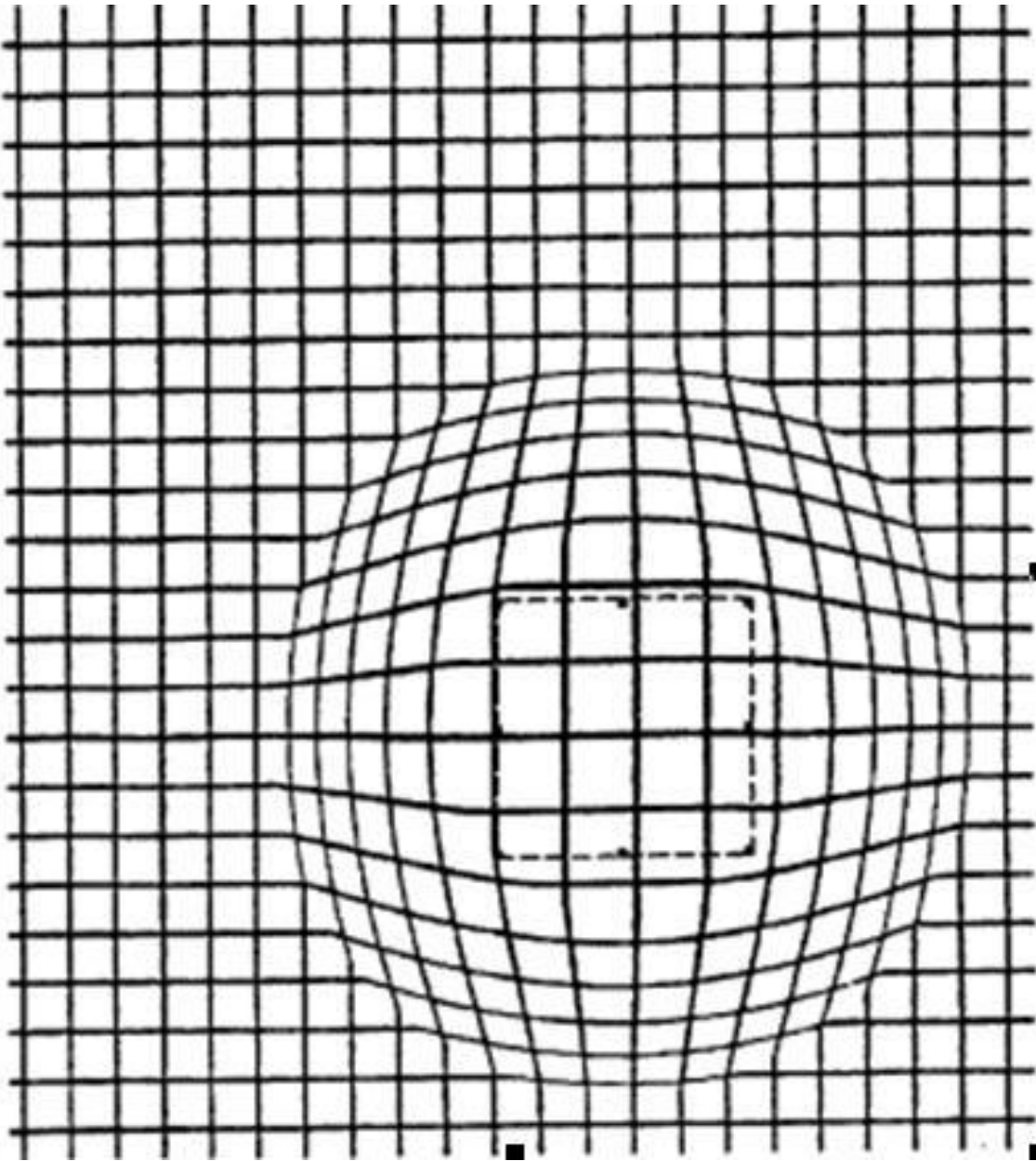
G06T 3/047

Definition statement

This place covers:

Establishing a lens for a region-of-interest.

Illustrative example:



G06T 3/053

Definition statement

This place covers:

- Side or corner panels; Perspective wall.
- Document lens.

Illustrative example:

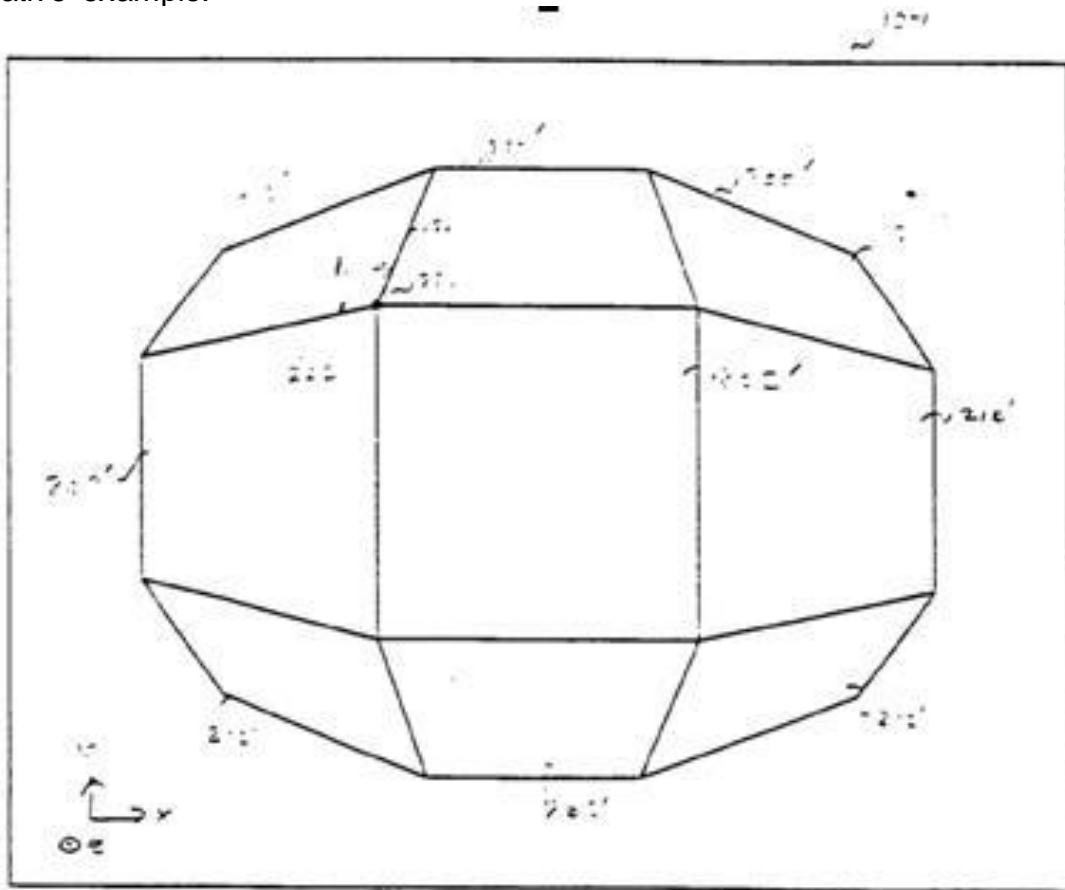


FIG. 5

References

Limiting references

This place does not cover:

Fisheye, wide-angle transformation	G06T 3/047
------------------------------------	------------

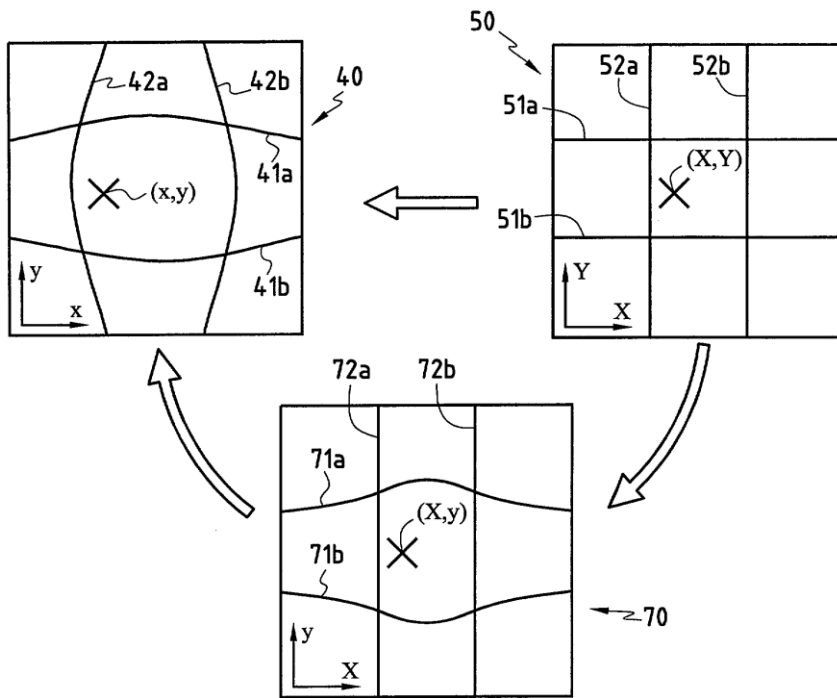
G06T 3/06

Definition statement

This place covers:

Flattening the scanned image of a bound book.

Illustrative example:



References

Informative references

Attention is drawn to the following places, which may be of interest for search:

Panospheric to cylindrical image transformation	G06T 3/12
Texture mapping	G06T 15/04
Manipulating 3D models or images for computer graphics	G06T 19/00

[G06T 3/067](#)

Definition statement

This place covers:

Curved planar reformation [CPR].

[G06T 3/073](#)

Definition statement

This place covers:

Mapping a surface of revolution to a plane, e.g. mapping a pot or a can to a plane.

Illustrative example:

DATE: JANUARY 1, 2024

PROJECT RP12197

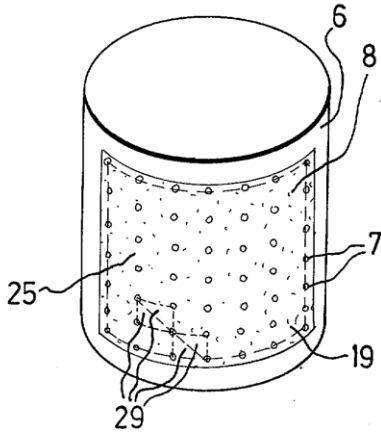


Fig 8

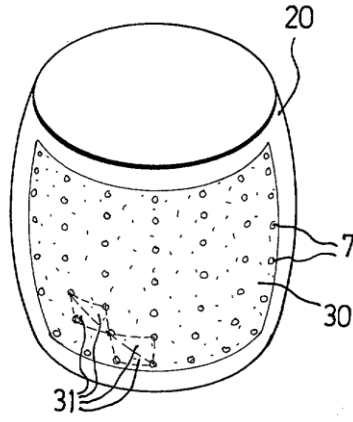
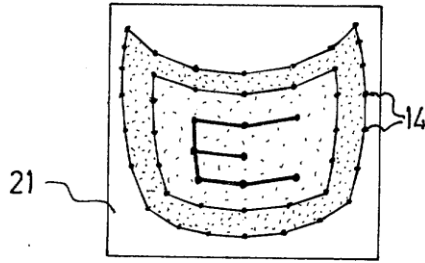
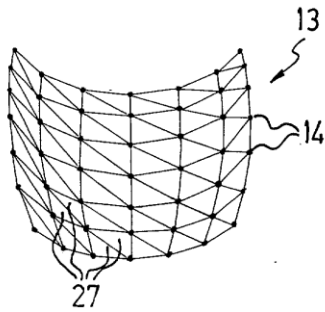


Fig 9



DATE: JANUARY 1, 2024

PROJECT RP12197

G06T 3/08

Definition statement

This place covers:

- Geometric image transformation for projecting an image on a multi-projectors system or on a geodetic screen; Dome imaging.
- Geometric image transformation for projecting an image through multi-planar displays.

References

Informative references

Attention is drawn to the following places, which may be of interest for search:

Texture mapping	G06T 15/04
-----------------	----------------------------

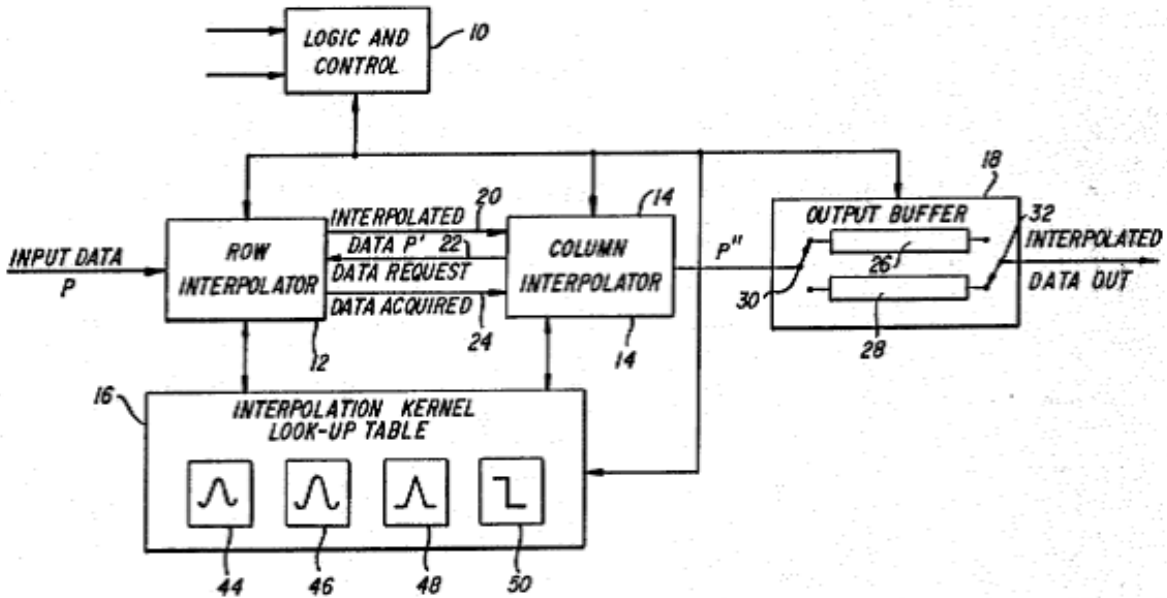
G06T 3/10

Definition statement

This place covers:

- Selection of the interpolation method depending on the scale factor.
- Selection of the interpolation method depending on media type or image appearance characteristics.

Illustrative example:



G06T 3/12

Definition statement

This place covers:

- Omnidirectional or hyperboloidal to cylindrical image transformation or mapping; Catadioptric transformation, e.g. images from surveillance cameras.
- Panospheric image transformation or mapping by using the output of a multiple cameras system.

Illustrative example:

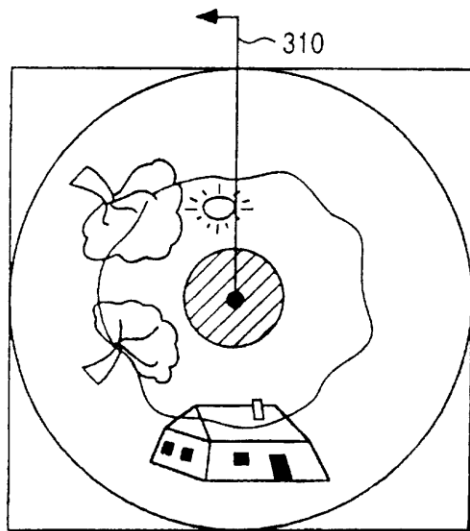
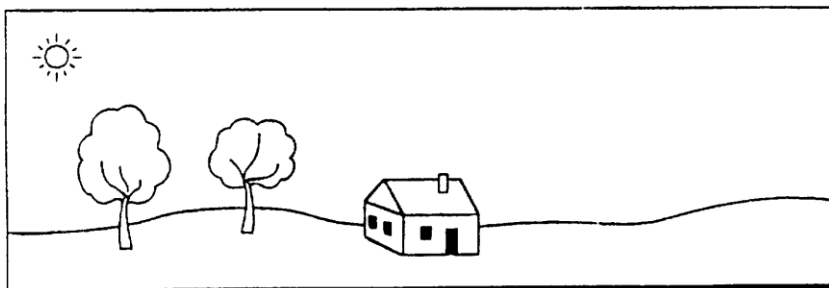


FIG. 3B



DATE: JANUARY 1, 2024

PROJECT RP12197

G06T 3/14

Definition statement

This place covers:

Geometric image transformation for

- iterative image registration
- spline-based image registration
- mutual-information-based registration
- phase correlation or FFT-based methods
- using fiducial points, e.g. landmarks
- maximised mutual information-based methods

References

Informative references

Attention is drawn to the following places, which may be of interest for search:

Determination of transform parameters for the alignment of images, i.e. image registration	G06T 7/30
--	-----------

G06T 3/153

Definition statement

This place covers:

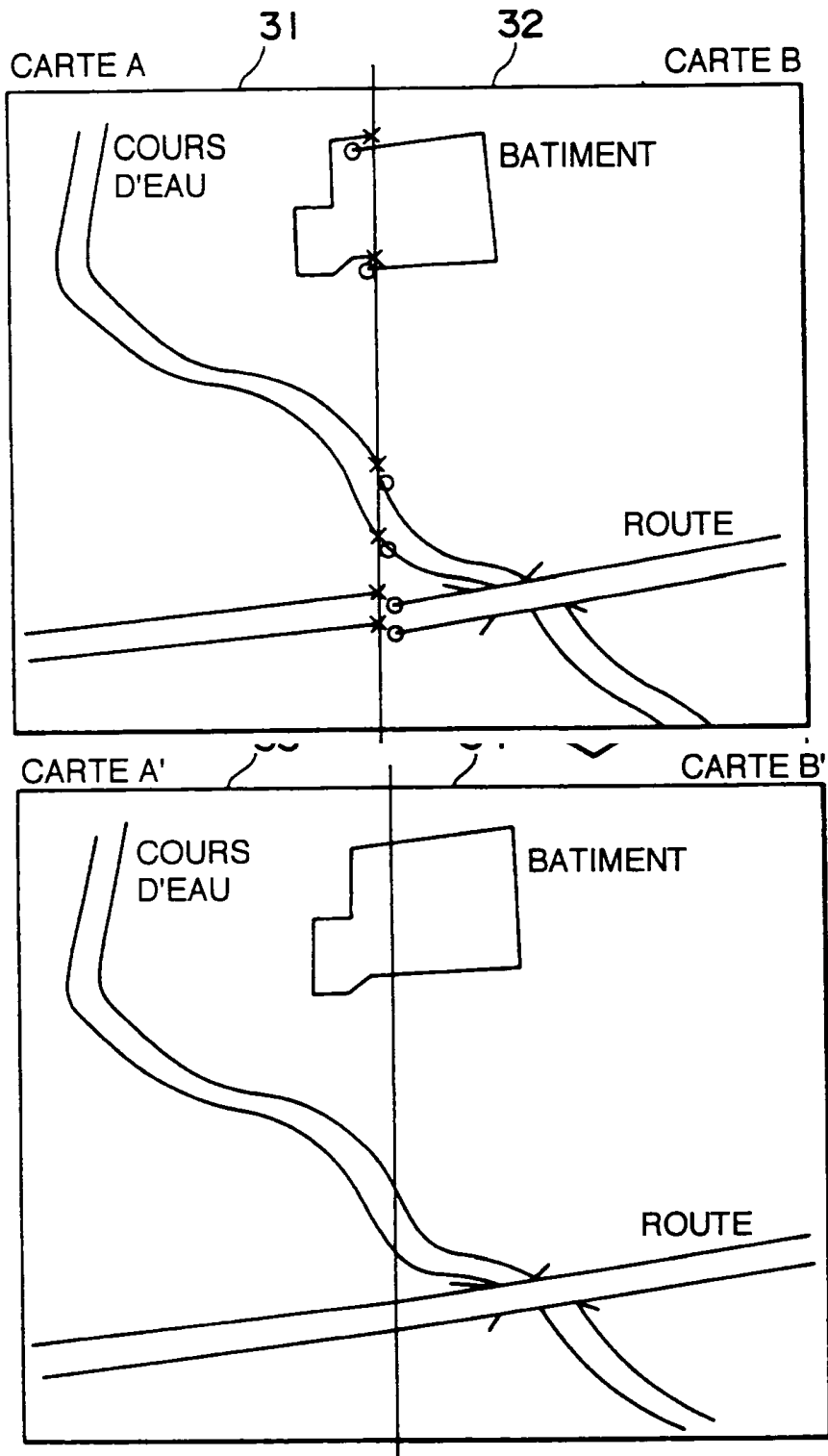
- Elastic mapping or snapping or matching; Deformable mapping.
- Diffeomorphic representations of deformations to control the image registration process.

Illustrative example:

CPC NOTICE OF CHANGES 1563

DATE: JANUARY 1, 2024

PROJECT RP12197



DATE: JANUARY 1, 2024

PROJECT RP12197

G06T 3/16

Definition statement

This place covers:

- Video cubism; Video cube.
- Dynamic panoramic video.
- Stylized video cubes.

G06T 3/18

References

Informative references

Attention is drawn to the following places, which may be of interest for search:

Image animation	G06T 13/00
-----------------	----------------------------

2. A. DEFINITIONS (modified)

G06T 3/40

References:

Delete: The entire Limiting references section.

Insert: The following new Informative references section.

Informative references

Attention is drawn to the following places, which may be of interest for search:

Polynomial surface description for image modeling	G06T 17/30
Scanning, transmission or reproduction of documents involving modification of image resolution	H04N 1/393 ; H04N 1/3875 ; H04N 1/40068
Studio circuits for television systems involving alteration of picture size or orientation	H04N 5/2628
Frame rate conversion; De-interlacing	H04N 7/01

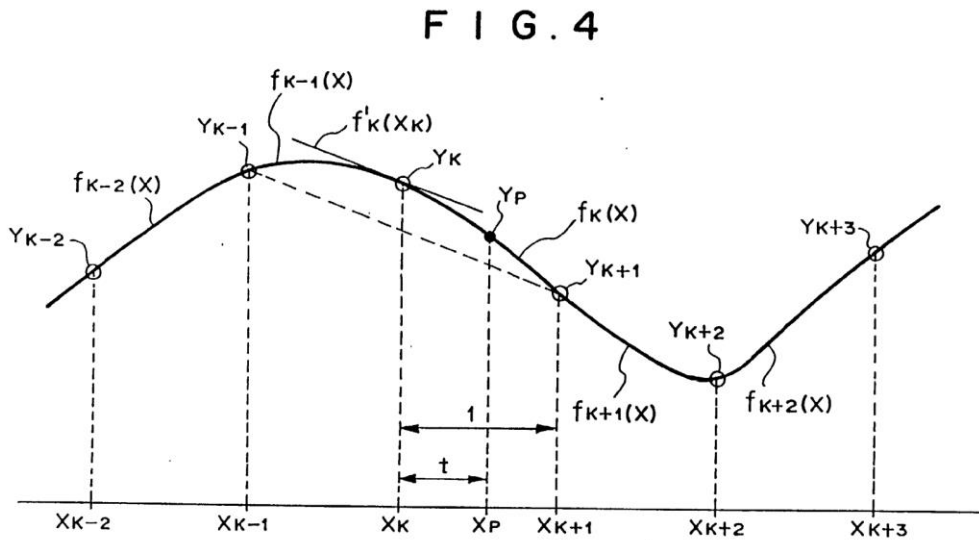
G06T 3/4007

Definition statement

Delete: The text in the parentheses, so that the updated Definition statement reads as follows.

- Linear or bi-linear or tetrahedral or cubic image interpolation.
- Adaptive interpolation, e.g. the coefficients of the interpolation depend on the pattern of the local structure.

Illustrative example - Third order spline interpolation:



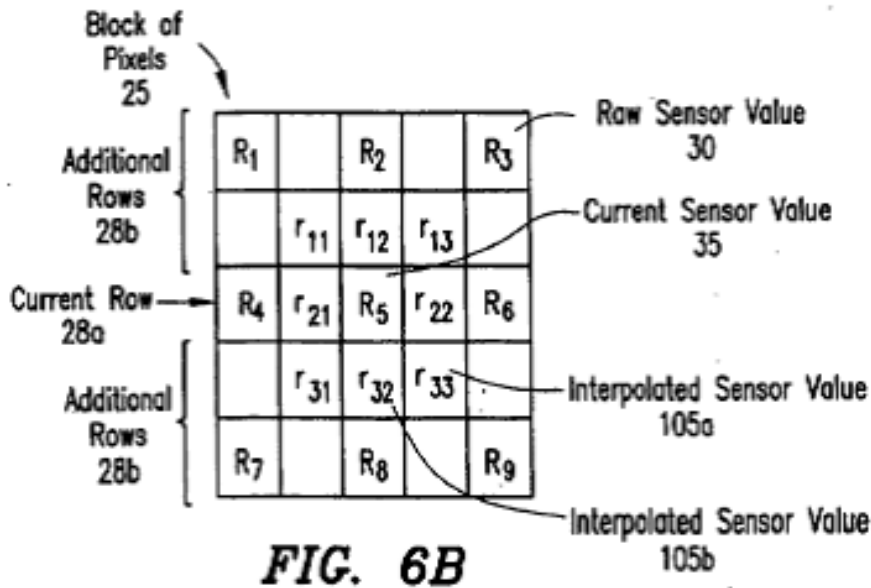
G06T 3/4015

Definition statement

Delete: The text in the parentheses, so that the updated Definition statement reads as follows.

- CFA demosaicing or demosaicking or interpolating.
- Bayer pattern.
- Colour-separated images, i.e. one colour in each image quadrant.

Illustrative examples - Image demosaicing:

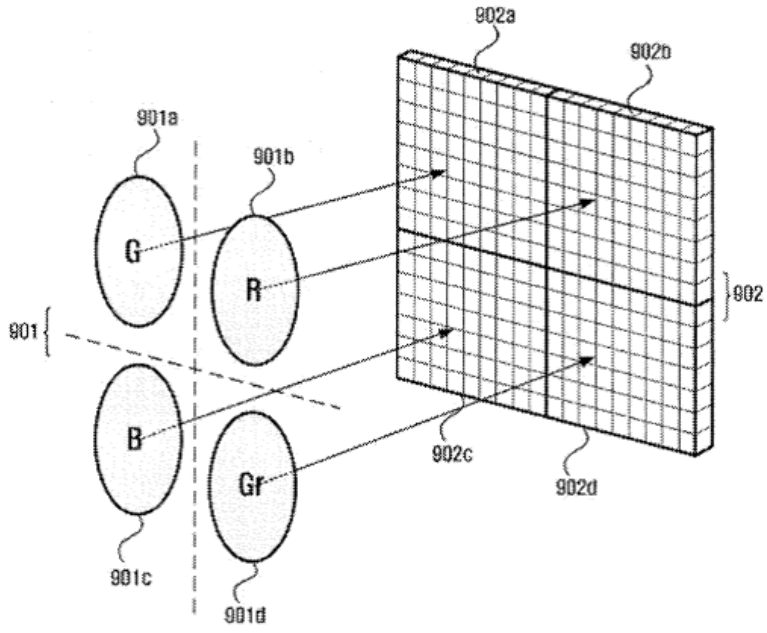


- Colour-separated image:

CPC NOTICE OF CHANGES 1563

DATE: JANUARY 1, 2024

PROJECT RP12197



DATE: JANUARY 1, 2024

PROJECT RP12197

G06T 3/4023

Definition statement

Delete: The text in the parentheses, so that the updated Definition statement reads as follows. Leave the image as-is.

- Pixel or row deletion or removal.
- Pixel or row insertion or duplication or replication.
- Decimating FIR filters.
- Array indexes or tables, e.g. LUT.

Illustrative example - Decimating by using two arrays of indexes:

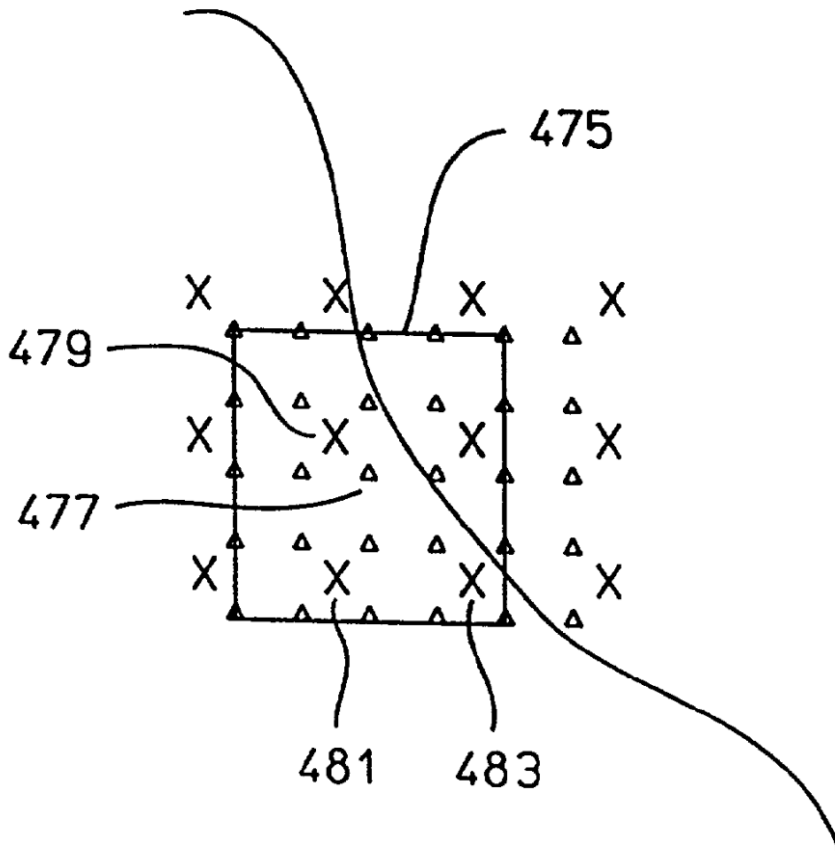
G06T 3/403

Definition statement

Delete: The text in the parentheses, so that the updated Definition statement reads as follows.

- Edge adaptive or directed or dependent or following or preserving interpolation; Edge preservation.
- Edge map injecting or projecting or combining or superimposing.

Illustrative example - Correcting for abnormalities next to boundaries:



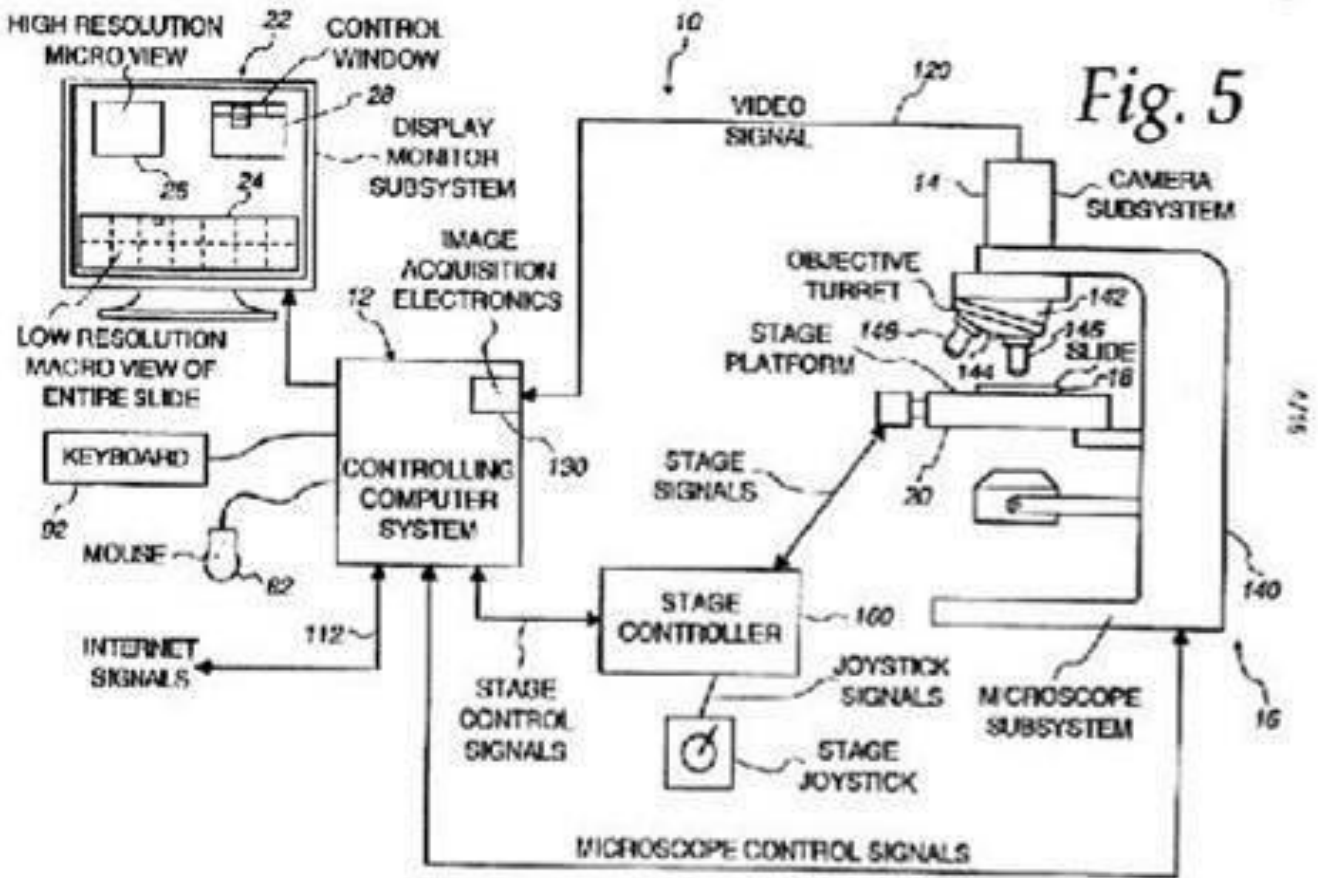
G06T 3/4038

Definition statement

Delete: The text in the parentheses, so that the updated Definition statement reads as follows.

- Image mosaicing or mosaiking.
- Panorama views.
- Mosaic of video sequences; Salient video still; Video collage or synopsis.

Illustrative example - Image mosaicing for microscopy applications:



G06T3/4046

Definition statement

CPC NOTICE OF CHANGES 1563

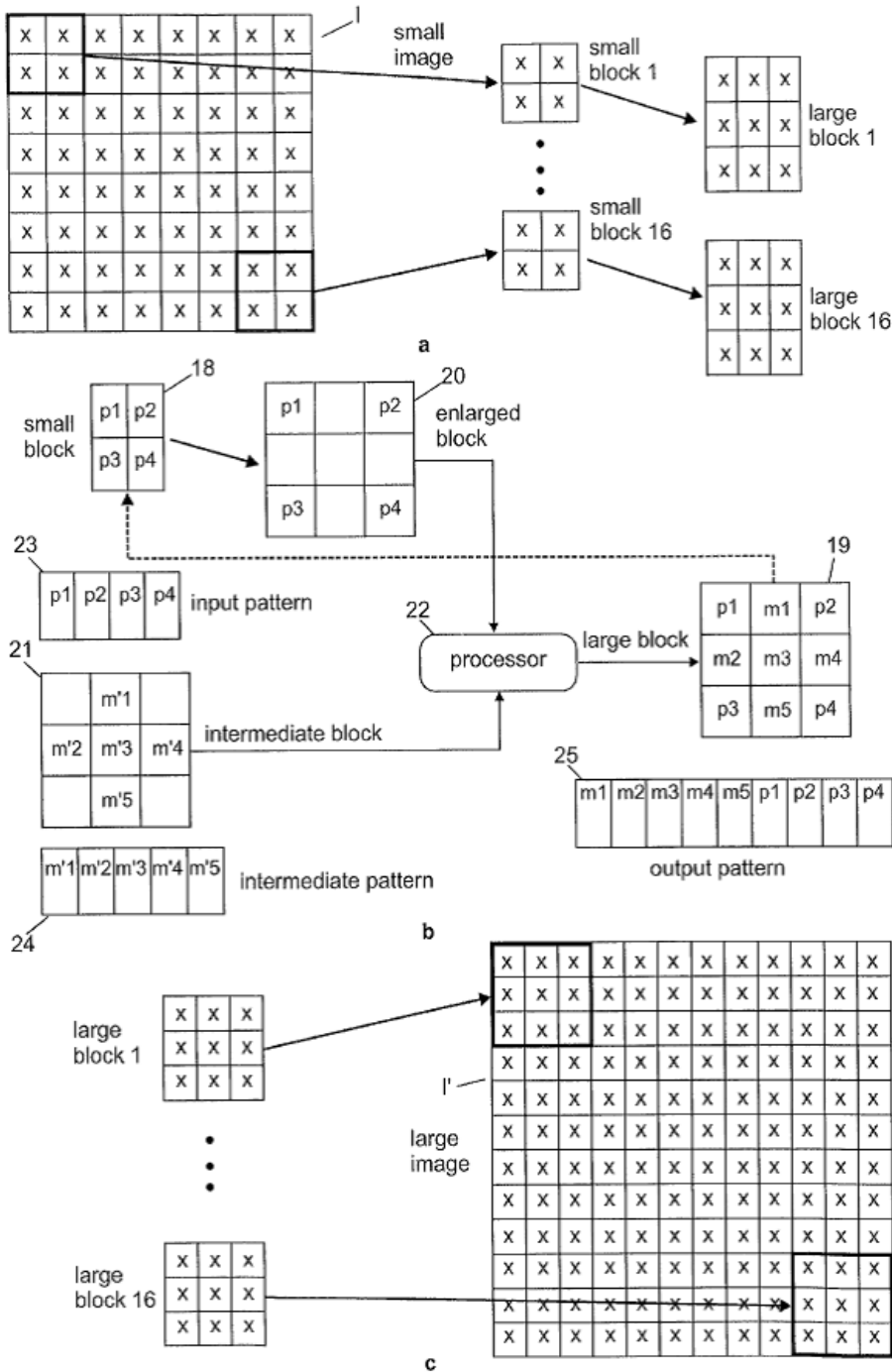
DATE: JANUARY 1, 2024

PROJECT RP12197

Delete: The text in the parentheses, so that the updated Definition statement reads as follows.

- Using neural networks specially adapted for image interpolation.
- Using neural networks specially adapted for interpolation coefficient selection.

Illustrative example - Using a neural network to select the coefficients of a polynomial interpolation:



References

Delete: The entire Limiting references section.

DATE: JANUARY 1, 2024

PROJECT RP12197

Insert: The following new Informative references section.

Informative references

Attention is drawn to the following places, which may be of interest for search:

Computing arrangements using neural networks	G06N 3/02
--	---------------------------

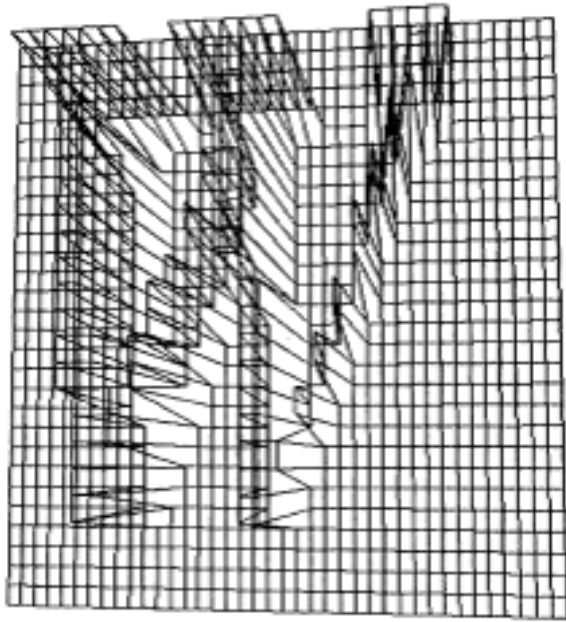
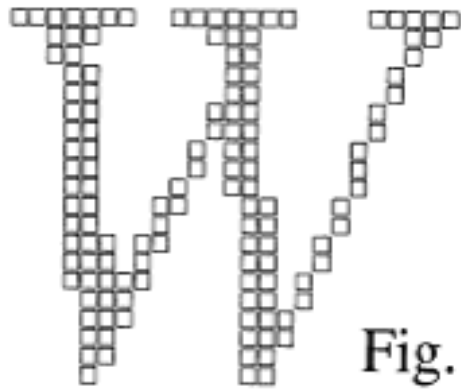
G06T 3/4053

Definition statement

Delete: The text in the parentheses, so that the updated Definition statement reads as follows.

- Super resolution by fitting the pixel intensity to a mathematical function.
- Super resolution from image sequences; Images or frames addition or coaddition or combination.
- Super resolution by iteratively applying constraints, e.g. energy reduction, on the transform domain and inverse transforming.

Illustrative example - fitting a mathematical function and resampling:



References

Delete: The entire Limiting references section.

Insert: The following new Informative references section.

Informative references

Attention is drawn to the following places, which may be of interest for search:

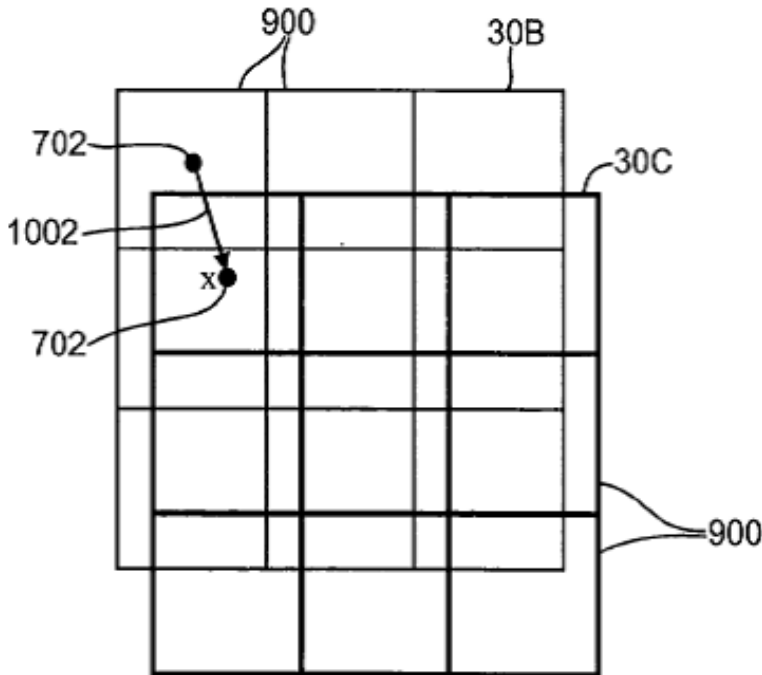
Image enhancement or restoration using two or more images, e.g. averaging or subtraction	G06T 5/50
--	---------------------------

G06T 3/4069

Definition statement

Delete: The text in the parentheses, so that the updated Definition statement reads as follows.

Illustrative example of subject matter covered in this group - Displaying sub-frames at spatially offset positions:



CPC NOTICE OF CHANGES 1563

DATE: JANUARY 1, 2024

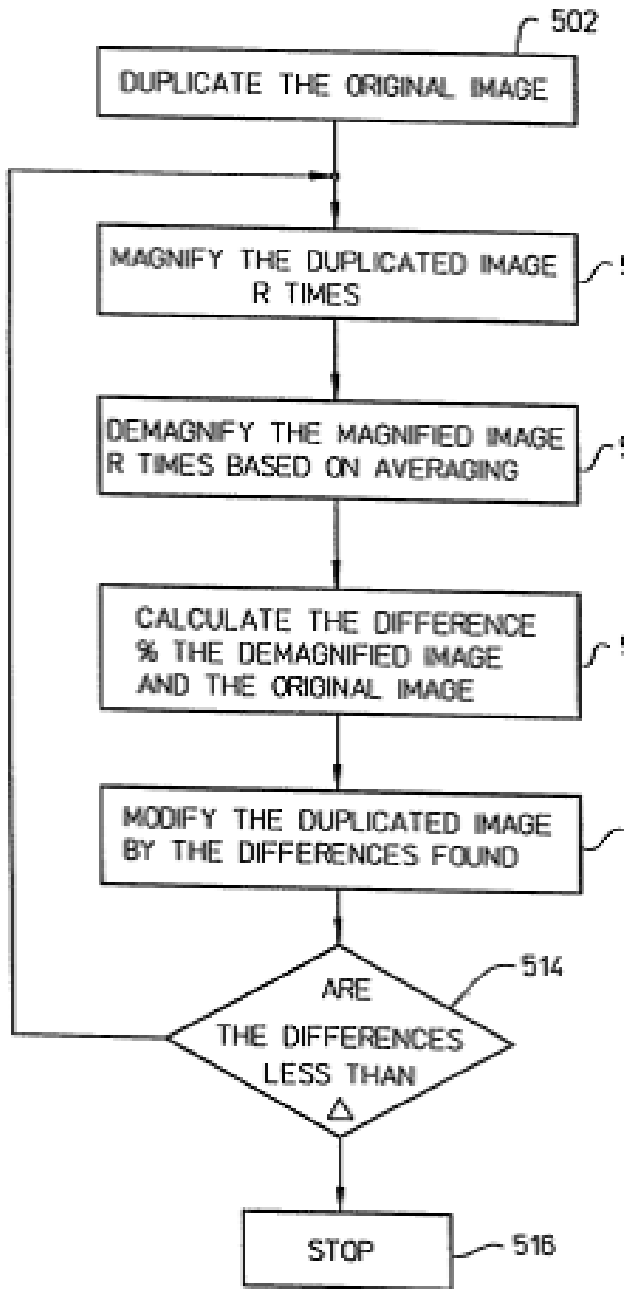
PROJECT RP12197

G06T 3/4076

Definition statement

Delete: The text in the parentheses, so that the updated Definition statement reads as follows.

Illustrative example of subject matter classified in this group - Iterative correction of the high-resolution image:



DATE: JANUARY 1, 2024

PROJECT RP12197

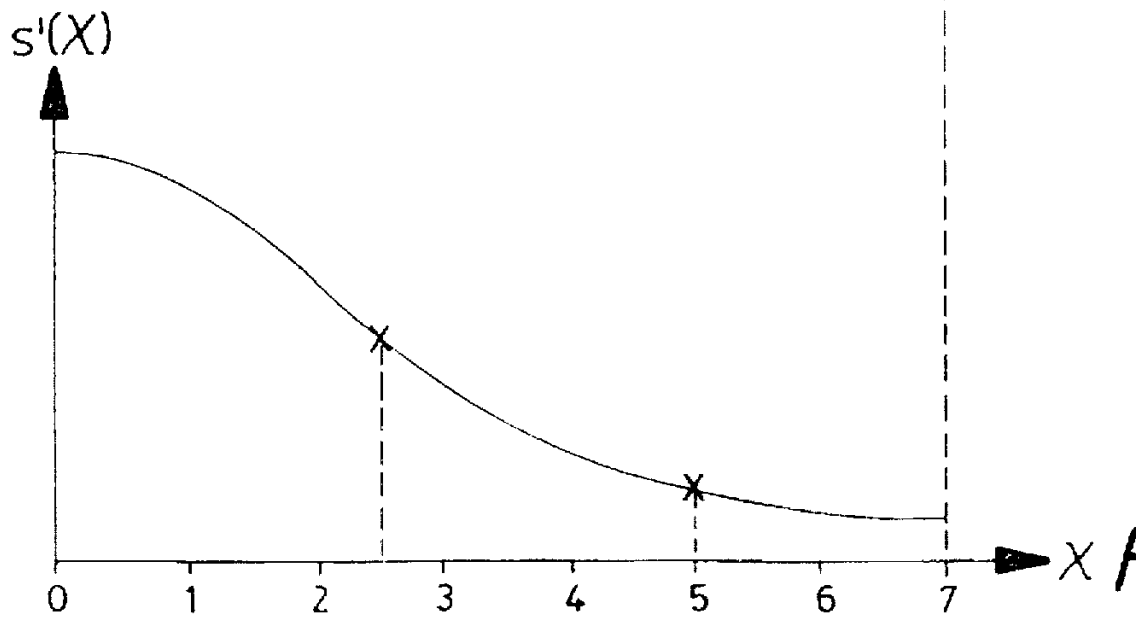
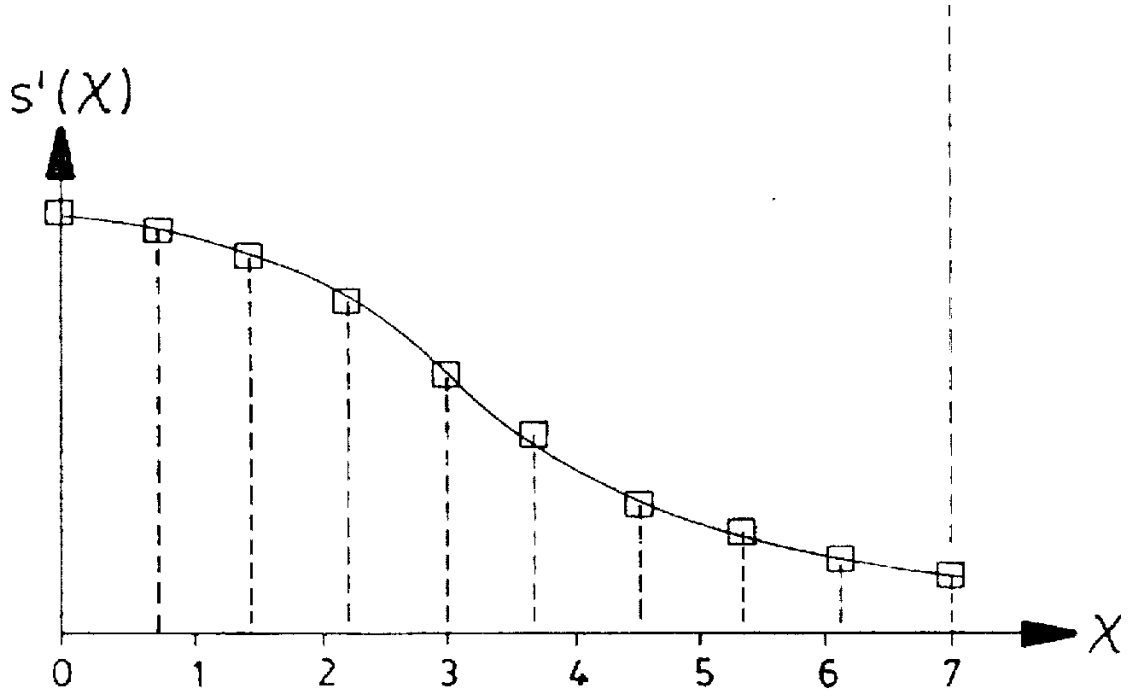
G06T 3/4084

Definition statement

Delete: The text in the parentheses, so that the updated Definition statement reads as follows.

- DCT coefficients decimation or insertion for image scaling.
- Zero padding DCT coefficients for image scaling.
- Downscaling by selecting a specific Wavelet subband.

Illustrative example - Enlargement / reduction through DCT interpolation / decimation:



DATE: JANUARY 1, 2024

PROJECT RP12197

G06T 3/4092

Definition statement

Delete: The text in the parentheses, so that the updated Definition statement reads as follows. Leave the image as-is.

Adapting the image resolution to the client's capabilities.

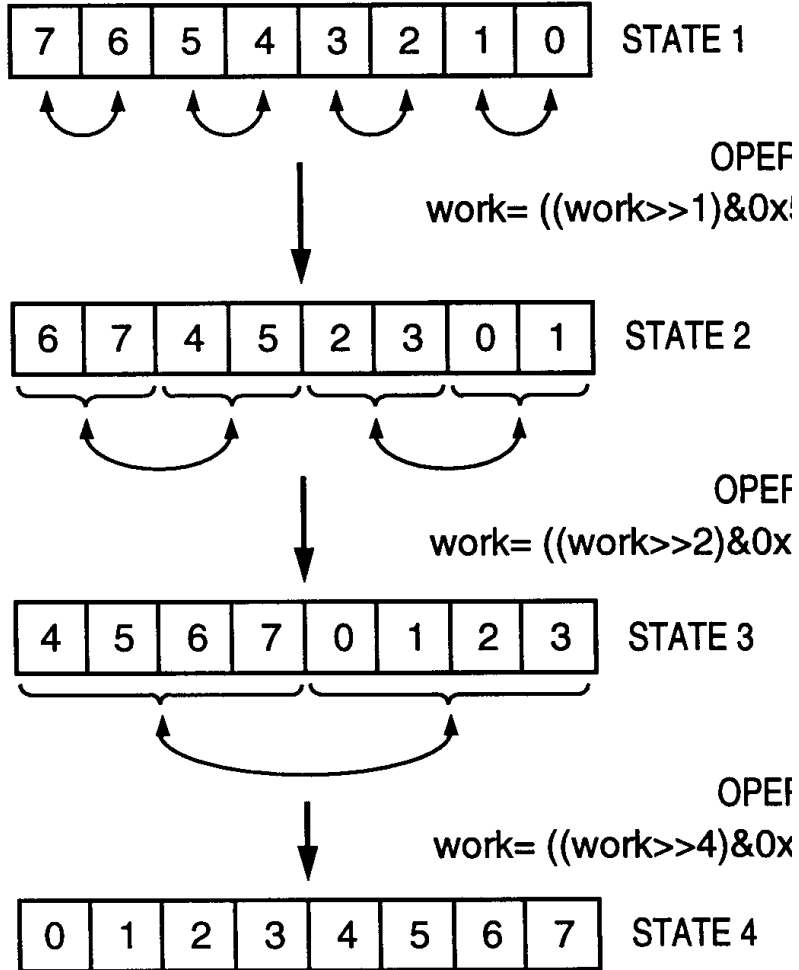
Illustrative example - The processing unit is coupled downstream from video cross-point switcher for generating additionally scaled video streams by additional video scaling on initially scaled video stream:

G06T 3/602

Definition statement

Delete: The text in the parentheses, so that the updated Definition statement reads as follows.

Illustrative example - Rotation by recursive reversing:



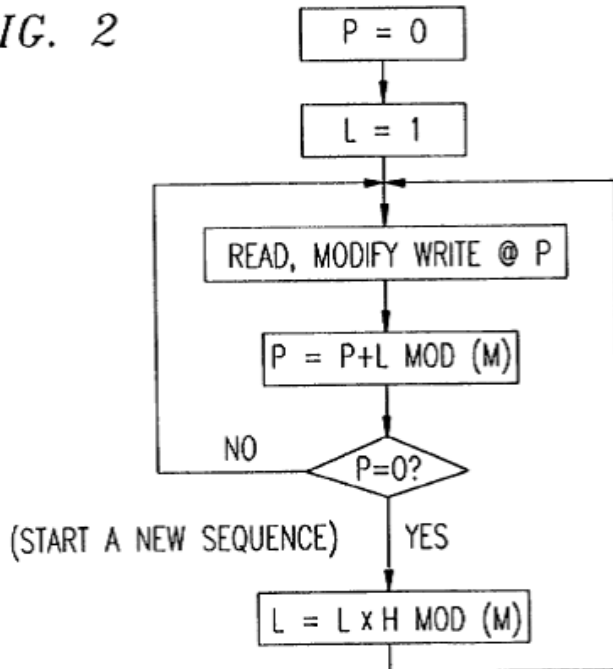
G06T 3/606

Definition statement

Delete: The text in the parentheses, so that the updated Definition statement reads as follows.

Illustrative example - Continuous read-transpose-write:

FIG. 2



G06T 3/608

Definition statement

Delete: The text in the parentheses, so that the updated Definition statement reads as follows.

- Shift processing
- Rotation by shearing.

Illustrative example - Image rotation by two-pass de-skewing:

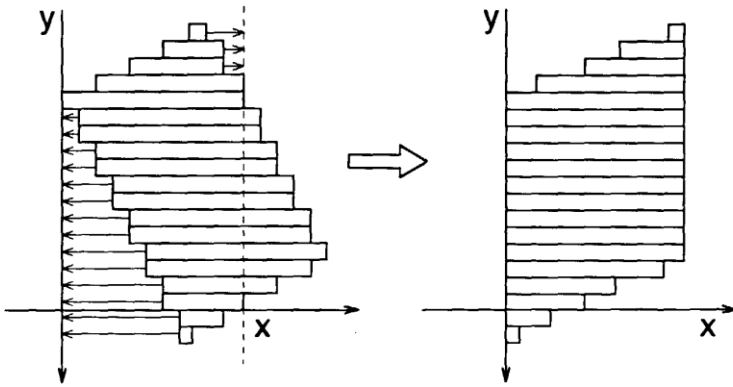
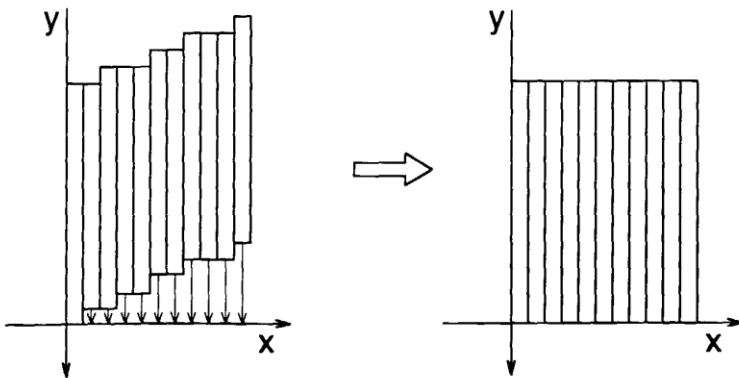


FIG. 3 (c)

FIG. 3 (d)



CPC NOTICE OF CHANGES 1563

DATE: JANUARY 1, 2024

PROJECT RP12197

2. B. DEFINITIONS QUICK FIX

<u>Symbol</u>	<u>Location of change</u> (e.g., section title)	<u>Existing reference symbol or text</u>	<u>Action; New symbol; New text</u>
G06T3/0006	Entire Definition		Delete the entire Definition.
G06T3/0012	Entire Definition		Delete the entire Definition.
G06T3/0018	Entire Definition		Delete the entire Definition.
G06T3/0025	Entire Definition		Delete the entire Definition.
G06T3/0031	Entire Definition		Delete the entire Definition.
G06T3/0037	Entire Definition		Delete the entire Definition.
G06T3/0043	Entire Definition		Delete the entire Definition.
G06T3/005	Entire Definition		Delete the entire Definition.
G06T3/0056	Entire Definition		Delete the entire Definition.
G06T3/0062	Entire Definition		Delete the entire Definition.
G06T3/0068	Entire Definition		Delete the entire Definition.
G06T3/0081	Entire Definition		Delete the entire Definition.
G06T3/0087	Entire Definition		Delete the entire Definition.
G06T3/0093	Entire Definition		Delete the entire Definition.

NOTES:

- The table above is used for corrections or modifications to existing definitions, e.g. delete an entire definition or part thereof; propose new wording or modify wording of a section, change the symbol the definition is associated with, change or delete a reference symbol, etc.
- Do not delete (F) symbol definitions.

CPC NOTICE OF CHANGES 1563

DATE: JANUARY 1, 2024

PROJECT RP12197

3. REVISION CONCORDANCE LIST (RCL)

Type*	From CPC Symbol (existing)	To CPC Symbol(s)
D	G06T 3/0006	<administrative transfer to G06T 3/02>
D	G06T 3/0012	<administrative transfer to G06T 3/04>
D	G06T 3/0018	<administrative transfer to G06T 3/047>
D	G06T 3/0025	<administrative transfer to G06T 3/053>
D	G06T 3/0031	<administrative transfer to G06T 3/06>
D	G06T 3/0037	<administrative transfer to G06T 3/067>
D	G06T 3/0043	<administrative transfer to G06T 3/073>
D	G06T 3/005	<administrative transfer to G06T 3/08>
D	G06T 3/0056	<administrative transfer to G06T 3/10>
D	G06T 3/0062	<administrative transfer to G06T 3/12>
D	G06T 3/0068	<administrative transfer to G06T 3/14>
D	G06T 3/0075	<administrative transfer to G06T 3/147>
D	G06T 3/0081	<administrative transfer to G06T 3/153>
D	G06T 3/0087	<administrative transfer to G06T 3/16>
D	G06T 3/0093	<administrative transfer to G06T 3/18>

* C = entries with modified file scope where reclassification of documents from the entries is involved; Q = new entries which are firstly populated with documents via administrative transfers from deleted (D) entries. Afterwards, the transferred documents into the Q entry will either stay or be moved to more appropriate entries, as determined by intellectual reclassification; D = deleted entries; F = frozen entries will be deleted once reclassification of documents from the entries is completed.

NOTES:

- Only C, D, F, and Q type entries are included in the table above.
- When multiple symbols are included in the “To” column, do not use ranges of symbols.
- For administrative transfer of documents, the following text should be used: “< administrative transfer to XX>”, “<administrative transfer to XX and YY simultaneously>”, or “<administrative transfer to XX, YY, ...and ZZ simultaneously>” when administrative transfer of the same documents is to more than one place.
- Administrative transfer to main trunk groups is assumed to be the source allocation type, unless otherwise indicated.
- Administrative transfer to 2000/Y series groups is assumed to be “additional information”.
- If needed, instructions for allocation type should be indicated within the angle brackets using the abbreviations “ADD” or “INV”: <administrative transfer to XX ADD>, <administrative transfer to XX INV>, or < administrative transfer to XX ADD, YY INV, ... and ZZ ADD simultaneously>.
- In certain situations, the “D” entries of 2000-series or Y-series groups may not require a destination (“To”)symbol, however it is required to specify “<no transfer>” in the “To” column for such cases.
- RCL is not needed for finalisation projects.

CPC NOTICE OF CHANGES 1563

DATE: JANUARY 1, 2024

PROJECT RP12197

4. CHANGES TO THE CPC-TO-IPC CONCORDANCE LIST (CICL)

<u>CPC</u>	<u>IPC</u>	<u>Action*</u>
G06T 3/0006		DELETE
G06T 3/0012		DELETE
G06T 3/0018		DELETE
G06T 3/0025		DELETE
G06T 3/0031		DELETE
G06T 3/0037		DELETE
G06T 3/0043		DELETE
G06T 3/005		DELETE
G06T 3/0056		DELETE
G06T 3/0062		DELETE
G06T 3/0068		DELETE
G06T 3/0075		DELETE
G06T 3/0081		DELETE
G06T 3/0087		DELETE
G06T 3/0093		DELETE
G06T 3/02	G06T 3/02	NEW
G06T 3/04	G06T 3/04	NEW
G06T 3/047	G06T 3/047	NEW
G06T 3/053	G06T 3/053	NEW
G06T 3/06	G06T 3/06	NEW
G06T 3/067	G06T 3/067	NEW
G06T 3/073	G06T 3/073	NEW
G06T 3/08	G06T 3/08	NEW
G06T 3/10	G06T 3/10	NEW
G06T 3/12	G06T 3/12	NEW
G06T 3/14	G06T 3/14	NEW
G06T 3/147	G06T 3/147	NEW
G06T 3/153	G06T 3/153	NEW
G06T 3/16	G06T 3/16	NEW
G06T 3/18	G06T 3/18	NEW
G06T 3/4007	G06T 3/4007	UPDATE
G06T 3/4015	G06T 3/4015	UPDATE
G06T 3/4023	G06T 3/4023	UPDATE
G06T 3/403	G06T 3/403	UPDATE
G06T 3/4038	G06T 3/4038	UPDATE
G06T 3/4046	G06T 3/4046	UPDATE
G06T 3/4053	G06T 3/4053	UPDATE
G06T 3/4061	G06T 3/4061	UPDATE
G06T 3/4069	G06T 3/4069	UPDATE
G06T 3/4076	G06T 3/4076	UPDATE
G06T 3/4084	G06T 3/4084	UPDATE
G06T 3/4092	G06T 3/4092	UPDATE

CPC NOTICE OF CHANGES 1563

DATE: JANUARY 1, 2024

PROJECT RP12197

<u>CPC</u>	<u>IPC</u>	<u>Action*</u>
G06T 3/602	G06T 3/602	UPDATE
G06T 3/604	G06T 3/604	UPDATE
G06T 3/606	G06T 3/606	UPDATE
G06T 3/608	G06T 3/608	UPDATE

*Action column:

- For an (N) or (Q) entry, provide an IPC symbol and complete the Action column with “NEW.”
- For an existing CPC main trunk entry or indexing entry where the existing IPC symbol needs to be changed, provide an updated IPC symbol and complete the Action column with “UPDATED.”
- For a (D) CPC entry or indexing entry complete the Action column with “DELETE.” IPC symbol does not need to be included in the IPC column.
- For an (N) 2000 series CPC entry which is positioned within the main trunk scheme (breakdown code) provide an IPC symbol and complete the action column with “NEW”.
- For an (N) 2000 series CPC entry positioned at the end of the CPC scheme (orthogonal code), with no IPC equivalent, complete the IPC column with “CPCONLY” and complete the action column with “NEW”.

NOTES:

- F symbols are not included in the CICL table above.
- T and M symbols are not included in the CICL table above unless a change to the existing IPC is desired.

CPC NOTICE OF CHANGES 1563

DATE: JANUARY 1, 2024

PROJECT RP12197

5. CROSS-REFERENCE LIST (CRL)

Scheme references impacted by this revision project

<u>Location of reference to be changed</u>	<u>Referenced subclass or group to be changed</u>	<u>Action; New reference symbol; New text</u>
A61B 5/7425	G06T 3/0068	G06T 3/14

Definitions references impacted by this revision project

<u>Location of reference to be changed</u>	<u>Referenced subclass or group to be changed</u>	<u>Section of definition</u>	<u>Action; New reference symbol; New text</u>
A61B 6/5229	G06T 3/0068	Informative references	G06T 3/14
G06T 7/30	G06T 3/0068	Informative references	G06T 3/14
G06T 13/00	G06T 3/0093	Informative references	G06T 3/18
G06T 13/80	G06T 3/0093	Informative references	G06T 3/18
G06T 15/00	G06T 3/0031	Special rules of classification	G06T 3/06
G06T 15/10	G06T 3/005	Special rules of classification	G06T 3/08
G06T 17/05	G06T 3/0068	Informative references	G06T 3/14
G06T 19/00	G06T 3/0031	Special rules of classification	G06T 3/06
G06T 19/00	G06T 3/005	Special rules of classification	G06T 3/08

NOTES:

- The CRL tables above are used for changes to locations **outside** of the project scope. Changes to references in scheme titles or definitions **inside** the project scope will be reflected in the “scheme change” template or one of the “definition” templates.
- In addition to other changes proposed in the tables above, in the column titled “Referenced subclass or group to be changed,” **referenced D** symbols should indicate an action of “delete” or should indicate a replacement symbol and **referenced F** symbols should indicate a replacement symbol.
- When a reference is deleted, text related to that reference will also be deleted unless other references or a range of references associated with the same text remain.