

EUROPEAN PATENT OFFICE
U.S. PATENT AND TRADEMARK OFFICE

CPC NOTICE OF CHANGES 346

DATE: JANUARY 1, 2017

PROJECT RP0408

The following classification changes will be effected by this Notice of Changes:

<u>Action</u>	<u>Subclass</u>	<u>Group(s)</u>
Symbols deleted:	A47B	88/0003
	A47B	2088/0007
	A47B	2088/0011
	A47B	88/0014
	A47B	88/0018
	A47B	88/0022
	A47B	88/0025
	A47B	88/0029
	A47B	2088/0033
	A47B	2088/0037
	A47B	2088/004
	A47B	88/0044
	A47B	2088/0048
	A47B	88/0051
	A47B	88/0055
	A47B	2088/0059
	A47B	2088/0062
	A47B	2088/0066
	A47B	2088/007
	A47B	2088/0074
	A47B	2088/0077
	A47B	2088/0081
	A47B	88/0085
	A47B	2088/0088
	A47B	2088/0092
	A47B	2088/0096
	A47B	88/02
	A47B	2088/023
	A47B	2088/026
	A47B	88/04
	A47B	2088/0403
	A47B	88/0407
	A47B	88/0411
	A47B	88/0414
	A47B	88/0418
	A47B	88/0422
	A47B	2088/0425
	A47B	2088/0429
	A47B	2088/0433
	A47B	2088/0437
	A47B	88/044

CPC NOTICE OF CHANGES 346

DATE: JANUARY 1, 2017

PROJECT RP0408

<u>Action</u>	<u>Subclass</u>	<u>Group(s)</u>
	A47B	2088/0444
	A47B	2088/0448
	A47B	88/0451
	A47B	88/0455
	A47B	2088/0459
	A47B	88/0462
	A47B	88/0466
	A47B	88/047
	A47B	2088/0474
	A47B	88/0477
	A47B	88/0481
	A47B	88/0485
	A47B	2088/0488
	A47B	2088/0492
	A47B	2088/0496
	A47B	88/06
	A47B	88/08
	A47B	88/10
	A47B	88/12
	A47B	88/14
	A47B	88/16
	A47B	88/18
	A47B	88/20
	A47B	2088/202
	A47B	2088/205
	A47B	2088/207
	A47B	88/22
	A47B	2210/0086
	A47B	2210/0089
Symbols newly created:	A47B	88/40
	A47B	2088/401
	A47B	2088/4015
	A47B	88/402
	A47B	88/403
	A47B	88/407
	A47B	88/41
	A47B	88/413
	A47B	88/417
	A47B	88/42
	A47B	2088/421
	A47B	2088/422
	A47B	88/423
	A47B	2088/4235
	A47B	88/427
	A47B	2088/4272

CPC NOTICE OF CHANGES 346

DATE: JANUARY 1, 2017

PROJECT RP0408

<u>Action</u>	<u>Subclass</u>	<u>Group(s)</u>
	A47B	2088/4274
	A47B	2088/4276
	A47B	2088/4278
	A47B	88/43
	A47B	88/433
	A47B	88/437
	A47B	88/44
	A47B	88/443
	A47B	88/447
	A47B	88/45
	A47B	88/453
	A47B	88/457
	A47B	88/46
	A47B	88/463
	A47B	88/467
	A47B	2088/4675
	A47B	88/47
	A47B	88/473
	A47B	88/477
	A47B	88/48
	A47B	88/483
	A47B	88/487
	A47B	88/49
	A47B	88/493
	A47B	88/497
	A47B	88/50
	A47B	88/53
	A47B	88/57
	A47B	88/60
	A47B	88/70
	A47B	88/75
	A47B	2088/76
	A47B	88/80
	A47B	88/90
	A47B	2088/901
	A47B	2088/902
	A47B	88/906
	A47B	88/913
	A47B	88/919
	A47B	88/925
	A47B	88/931
	A47B	88/938
	A47B	2088/939
	A47B	2088/94
	A47B	88/941
	A47B	88/9412

CPC NOTICE OF CHANGES 346

DATE: JANUARY 1, 2017

PROJECT RP0408

<u>Action</u>	<u>Subclass</u>	<u>Group(s)</u>
	A47B	88/9414
	A47B	88/9416
	A47B	88/9418
	A47B	88/944
	A47B	2088/9441
	A47B	88/95
	A47B	2088/951
	A47B	2088/952
	A47B	2088/953
	A47B	2088/954
	A47B	2088/955
	A47B	88/956
	A47B	88/963
	A47B	88/969
	A47B	88/975
	A47B	2088/976
	A47B	2088/977
	A47B	88/981
	A47B	88/988
	A47B	88/994
Title wording change:	A47B	88/00
	E05F	5/00
Modified Definitions:	A47B	88/00
	E05F	5/00
Deleted Definitions:	A47B	88/0018
	A47B	88/0022
	A47B	88/0025
	A47B	88/0029
	A47B	88/02
	A47B	88/04
	A47B	88/0422
	A47B	88/044
	A47B	88/0451
	A47B	88/0455
	A47B	88/0462
	A47B	88/0485
	A47B	88/06
	A47B	88/08
	A47B	88/10
	A47B	88/12
	A47B	88/14
	A47B	88/18
	A47B	88/20

CPC NOTICE OF CHANGES 346

DATE: JANUARY 1, 2017

PROJECT RP0408

<u>Action</u>	<u>Subclass</u>	<u>Group(s)</u>
New Definitions:	A47B	88/40
	A47B	88/402
	A47B	88/417
	A47B	88/42
	A47B	88/427
	A47B	88/43
	A47B	88/433
	A47B	88/48
	A47B	88/483
	A47B	88/487
	A47B	88/49
	A47B	88/493
	A47B	88/60
	A47B	88/70
	A47B	88/90
	A47B	88/9412
	A47B	88/9414
	A47B	88/9416
	A47B	88/9418
Scheme Warning Notices to be added:	A47B	88/00
	A47B	88/40
	A47B	88/44
	A47B	88/453
	A47B	88/473
	A47B	88/483
	A47B	88/487
	A47B	88/497
	A47B	88/90
	A47B	88/969
	A47B	88/981
	A47B	88/988
	A47B	88/994
	E05F	5/00

The following subclasses/groups are also impacted by this Notice of Changes: A47F, A47G, A47L, F16C, F24C

This Notice of Changes includes the following [Check the ones included]:

1. CLASSIFICATION SCHEME CHANGES
 - A. New, Modified or Deleted Group(s)

CPC NOTICE OF CHANGES 346

DATE: JANUARY 1, 2017

PROJECT RP0408

- B. New, Modified or Deleted Warning Notice(s)
 - C. New, Modified or Deleted Note(s)
 - D. New, Modified or Deleted Guidance Heading(s)
2. DEFINITIONS (New or Modified)
- A. DEFINITIONS (Full definition template)
 - B. DEFINITIONS (Definitions Quick Fix)
3. REVISION CONCORDANCE LIST (RCL)
4. CHANGES TO THE CPC-TO-IPC CONCORDANCE LIST (CICL)
5. CROSS-REFERENCE LIST (CRL)

CPC NOTICE OF CHANGES 346

DATE: JANUARY 1, 2017

PROJECT RP0408

1. CLASSIFICATION SCHEME CHANGES

A. New, Modified or Deleted Group(s)**SUBCLASS A47B– TABLES; DESKS; OFFICE FURNITURE; CABINETS; DRAWERS; GENERAL DETAILS OF FURNITURE**

Type*	Symbol	Indent Level Number of dots (e.g. 0, 1, 2)	Title (new or modified) "CPC only" text should normally be enclosed in {curly brackets}**	Transferred to#
C	A47B88/00	0	Drawers for tables, cabinets or like furniture; Guides for drawers (A47B63/02 takes precedence; drawers coupled to doors A47B96/16)	A47B88/00, A47B88/90, A47B88/969, A47B88/981, A47B88/988, A47B88/994
D	A47B88/0003	1	{Drawers being made of one piece of material, e.g. moulded or formed from sheet material having at least four-folding lines}	<administrative transfer to A47B88/906>
D	A47B2088/0007	1	{Drawers having additional side walls mountable on existing side walls}	<administrative transfer to A47B88/925>
D	A47B2088/0011	1	{Covers for drawers preventing access to the interior}	<administrative transfer to A47B88/919>
D	A47B88/0014	1	{Drawers being constructed from two or more parts}	<administrative transfer to A47B88/941>
D	A47B88/0018	2	{with at least two sides foldable or hinged}	<administrative transfer to A47B88/9412>
D	A47B88/0022	3	{connecting first side panel to bottom panel, back panel to bottom panel and second side panel to bottom by three folding lines}	<administrative transfer to A47B88/9414>
D	A47B88/0025	3	{connecting first side panel to back panel and back panel to second side panel by two folding lines}	<administrative transfer to A47B88/9416>
D	A47B88/0029	3	{connecting first side panel to bottom and second side panel to bottom panel by two folding lines}	<administrative transfer to A47B88/9418>
D	A47B2088/0033	2	{Drawers being held together by tension rods or elements}	<administrative transfer to A47B88/931>
D	A47B2088/0037	2	{Corner connectors for drawers}	<administrative transfer to A47B2088/902>
D	A47B2088/004	2	{Connectors between bottom wall and side walls}	<administrative transfer to A47B88/913>
D	A47B88/0044	1	{Drawers characterized by the front panel arrangements}	<administrative transfer to A47B88/944>

CPC NOTICE OF CHANGES 346

DATE: JANUARY 1, 2017

PROJECT RP0408

Type*	Symbol	Indent Level Number of dots (e.g. 0, 1, 2)	Title (new or modified) “CPC only” text should normally be enclosed in {curly brackets}**	Transferred to#
D	A47B2088/0048	2	{the front panel being less wide than the drawer}	<administrative transfer to A47B2088/9441>
D	A47B88/0051	2	{Specific connection means for the drawer front}	<administrative transfer to A47B88/95>
D	A47B88/0055	3	{for allowing adjustment of the front panel}	<administrative transfer to A47B88/956>
D	A47B2088/0059	3	{having male and female interlocking parts}	<administrative transfer to A47B2088/951>
D	A47B2088/0062	3	{having two parts and using a screw}	<administrative transfer to A47B2088/952>
D	A47B2088/0066	3	{fastening the front panel to a metal sheet side wall}	<administrative transfer to A47B2088/953>
D	A47B2088/007	3	{fastening the front panel by a sprung bolt, latch or lock-bolt}	<administrative transfer to A47B2088/954>
D	A47B2088/0074	3	{fastening the front panel using a toggle-lever}	<administrative transfer to A47B2088/955>
D	A47B2088/0077	1	{Drawers having a gasket or sealing means arranged on the front panel}	<administrative transfer to A47B88/963>
D	A47B2088/0081	1	{Drawers having a lifting mechanism}	<administrative transfer to A47B2088/901>
D	A47B88/0085	1	{Railings for drawers}	<administrative transfer to A47B88/931>
D	A47B2088/0088	2	{Connection means for railings}	<administrative transfer to A47B88/938>
D	A47B2088/0092	3	{to the front panel of a drawer}	<administrative transfer to A47B2088/939>
D	A47B2088/0096	3	{to the back wall of a drawer}	<administrative transfer to A47B2088/94>
D	A47B88/02	1	Coupled drawers	<administrative transfer to A47B88/70>
D	A47B2088/023	2	{Secondary drawer being in or above a primary drawer}	<administrative transfer to A47B88/75>
D	A47B2088/026	3	{Coupling means therefor}	<administrative transfer to A47B2088/76>
D	A47B88/04	1	Sliding drawers; Slides or guides therefor	<administrative transfer to A47B88/40>
D	A47B2088/0403	2	{Drawers being extractable on at least two sides of the cabinet}	<administrative transfer to A47B88/403>
D	A47B88/0407	2	{adjustably or detachably mounted in a cabinet or under a table top or the like}	<administrative transfer to A47B88/407>

CPC NOTICE OF CHANGES 346

DATE: JANUARY 1, 2017

PROJECT RP0408

Type*	Symbol	Indent Level Number of dots (e.g. 0, 1, 2)	Title (new or modified) “CPC only” text should normally be enclosed in {curly brackets}**	Transferred to#
D	A47B88/0411	2	{Drawers with castors, rollers or wheels, supported directly on a surface below, e.g. on a floor, shelf or desktop}	<administrative transfer to A47B88/41>
D	A47B88/0414	2	{electrically operated}	<administrative transfer to A47B88/457>
D	A47B88/0418	2	{Fastening devices for slides or guides}	<administrative transfer to A47B88/423>
D	A47B88/0422	3	{at drawer side}	<administrative transfer to A47B88/427>
D	A47B2088/0425	4	{ensuring a correct connection at the moment when the drawer is coupled to the drawer rail}	<administrative transfer to A47B2088/4272>
D	A47B2088/0429	4	{the drawer being detachable as a whole from a slide frame}	<administrative transfer to A47B2088/4274>
D	A47B2088/0433	4	{at drawer front via latch means or locking lever}	<administrative transfer to A47B2088/4276>
D	A47B2088/0437	4	{Quick-release clip}	<administrative transfer to A47B2088/4278>
D	A47B88/044	3	{at cabinet side}	<administrative transfer to A47B88/43>
D	A47B2088/0444	3	{having a latch mechanism coupling or disconnecting a drawer with drawer side slide from the rest of the slide members}	<administrative transfer to A47B2088/4235>
D	A47B2088/0448	2	{Slides or guides for wire baskets}	<administrative transfer to A47B2088/401>
D	A47B88/0451	2	{Profiled walls having grooves or protuberances for supporting multiple drawers}	<administrative transfer to A47B88/417>
D	A47B88/0455	2	{Profiles or supporting structures for supporting single drawers (A47B88/044 takes precedence)}	<administrative transfer to A47B88/402>
D	A47B2088/0459	2	{with magnets holding the drawer in closed position}	<administrative transfer to A47B2088/4015>
D	A47B88/0462	2	{with a couple of pivotally retractable roller supporting arms at the backside of the drawer}	<administrative transfer to A47B88/433>
D	A47B88/0466	2	{Rollers for slides or guides}	<administrative transfer to A47B88/437>
D	A47B88/047	2	{self-closing}	<administrative transfer to A47B88/467>
D	A47B2088/0474	3	{with detent or emboss on slide}	<administrative transfer to A47B2088/4675>

CPC NOTICE OF CHANGES 346

DATE: JANUARY 1, 2017

PROJECT RP0408

<u>Type*</u>	<u>Symbol</u>	<u>Indent Level Number of dots (e.g. 0, 1, 2)</u>	<u>Title (new or modified)</u> <u>“CPC only” text should normally be enclosed in {curly brackets}**</u>	<u>Transferred to#</u>
D	A47B88/0477	2	{Self-opening, e.g. by touch-latch, touch-touch or push push movements}	<administrative transfer to A47B88/463>
D	A47B88/0481	2	{both self-closing and self-opening}	<administrative transfer to A47B88/47>
D	A47B88/0485	2	{Vertically-oriented drawers}	<administrative transfer to A47B88/42>
D	A47B2088/0488	3	{the bottom, cabinet side slide having a U-shape section opening upwards}	<administrative transfer to A47B2088/421>
D	A47B2088/0492	3	{Fittings for connecting the front panel}	<administrative transfer to A47B2088/422>
D	A47B2088/0496	2	{Furniture base drawers or drawers with plinths}	<administrative transfer to A47B88/413>
D	A47B88/06	2	Drawers which can be rotated while or after sliding out	<administrative transfer to A47B88/48>
D	A47B88/08	2	with double extensible guides or parts	<administrative transfer to A47B88/49>
D	A47B88/10	3	with rollers, ball bearings, wheels, or the like	<administrative transfer to A47B88/493>
D	A47B88/12	2	with other guiding mechanisms	<administrative transfer to A47B88/483>
D	A47B88/14	3	with rollers, ball bearings, wheels, or the like	<administrative transfer to A47B88/487>
D	A47B88/16	2	with devices to prevent complete withdrawal	<administrative transfer to A47B88/57>
D	A47B88/18	1	Drawers tiltably or pivotally arranged	<administrative transfer to A47B88/60>
D	A47B88/20	1	Drawers with compartments {(partitions for show shelves A47F5/005)}	<administrative transfer to A47B88/90>
D	A47B2088/202	2	{Partition walls and holders therefore}	<administrative transfer to A47B88/975>
D	A47B2088/205	3	{with separate holders}	<administrative transfer to A47B2088/976>
D	A47B2088/207	3	{with stamped sheet metal holding the partition walls}	<administrative transfer to A47B2088/977>
D	A47B88/22	1	Concealed drawers	<administrative transfer to A47B88/80>
Q	A47B88/40	1	Sliding drawers; Slides or guides therefor	A47B88/40, A47B88/44, A47B88/443, A47B88/447, A47B88/45, A47B88/453, A47B88/46, A47B88/473, A47B88/477
N	A47B2088/401	2	{Slides or guides for wire baskets}	

CPC NOTICE OF CHANGES 346

DATE: JANUARY 1, 2017

PROJECT RP0408

<u>Type*</u>	<u>Symbol</u>	<u>Indent Level</u> <u>Number of dots</u> <u>(e.g. 0, 1, 2)</u>	<u>Title</u> <u>(new or modified)</u> <u>“CPC only” text should normally be enclosed in {curly brackets}**</u>	<u>Transferred to#</u>
N	A47B2088/4015	2	{with magnets holding the drawer in closed position}	
N	A47B88/402	2	{Profiles or supporting structures for supporting single drawers}	
N	A47B88/403	2	Drawer slides being extractable on two or more sides of the cabinet	
N	A47B88/407	2	Adjustably or detachably mounted drawers (A47B88/423 takes precedence)	
N	A47B88/41	2	Drawers with castors, rollers or wheels, supported directly on a surface below, e.g. on a floor, shelf or desktop	
N	A47B88/413	2	Drawers slidable into a space provided between furniture body and floor, e.g. plinth drawers	
N	A47B88/417	2	Profiled cabinet walls with grooves or protuberances for supporting drawers	
N	A47B88/42	2	Vertically-oriented drawers, i.e. drawers where the height exceeds the width	
N	A47B2088/421	3	{the bottom, cabinet side slide having a U-shape section opening upwards}	
N	A47B2088/422	3	{Fittings for connecting the front panel}	
N	A47B88/423	2	Fastening devices for slides or guides	
N	A47B2088/4235	3	{having a latch mechanism coupling or disconnecting a drawer with drawer side slide from the rest of the slide members}	
N	A47B88/427	3	at drawer side	
N	A47B2088/4272	4	{ensuring a correct connection at the moment when the drawer is coupled to the drawer rail}	
N	A47B2088/4274	4	{the drawer being detachable as a whole from a slide frame}	
N	A47B2088/4276	4	{at drawer front via latch means or locking lever}	
N	A47B2088/4278	4	{Quick-release clip}	
N	A47B88/43	3	at cabinet side	
N	A47B88/433	2	Drawers with a couple of pivotally retractable, roller-supporting arms at the rear of the drawer, e.g. for curved slides or guides	
N	A47B88/437	2	Rollers for slides or guides	
N	A47B88/44	2	Sequencing or synchronisation of drawer slides or functional units	

CPC NOTICE OF CHANGES 346

DATE: JANUARY 1, 2017

PROJECT RP0408

<u>Type*</u>	<u>Symbol</u>	<u>Indent Level</u> <u>Number of dots</u> <u>(e.g. 0, 1, 2)</u>	<u>Title</u> <u>(new or modified)</u> <u>“CPC only” text should normally be enclosed in {curly brackets}**</u>	<u>Transferred to#</u>
N	A47B88/443	3	Successive movement of rails within drawer slides, i.e. at least one rail element is not moving during the movement of other elements	
N	A47B88/447	3	Simultaneous movement of rails within drawer slides, i.e. with a coordination of movement with all rail elements moving at the same time	
N	A47B88/45	3	Synchronisation of cooperating drawer slides, i.e. with a coordination of the rail movement of different drawer slides	
N	A47B88/453	2	Actuated drawers	
N	A47B88/457	3	operated by electrically-powered actuation means	
N	A47B88/46	3	operated by mechanically-stored energy, e.g. by springs	
N	A47B88/463	4	self-opening	
N	A47B88/467	4	self-closing	
N	A47B2088/4675	5	{with detent or emboss on slide}	
N	A47B88/47	4	having both self-opening and self-closing mechanisms which interact with each other	
N	A47B88/473	2	Braking devices, e.g. linear or rotational dampers or friction brakes; Buffers; End stops	
N	A47B88/477	3	Buffers; End stops	
N	A47B88/48	2	Drawers which can be rotated while or after sliding out	
Q	A47B88/483	2	with single extensible guides or parts	A47B88/483, A47B88/497
Q	A47B88/487	3	with rollers, ball bearings, wheels, or the like	A47B88/487, A47B88/497
N	A47B88/49	2	with double extensible guides or parts	
N	A47B88/493	3	with rollers, ball bearings, wheels, or the like	
N	A47B88/497	2	with other guiding mechanisms, e.g. scissor mechanisms	
N	A47B88/50	1	Safety devices or the like for drawers (locks specially adapted for a plurality of drawers E05B 65/46)	
N	A47B88/53	2	preventing unintentional closing, e.g. anti-pinch devices	

CPC NOTICE OF CHANGES 346

DATE: JANUARY 1, 2017

PROJECT RP0408

<u>Type*</u>	<u>Symbol</u>	<u>Indent Level</u> <u>Number</u> <u>of dots</u> <u>(e.g. 0,</u> <u>1, 2)</u>	<u>Title</u> <u>(new or modified)</u> <u>“CPC only” text should normally be</u> <u>enclosed in {curly brackets}**</u>	<u>Transferred to#</u>
N	A47B88/57	2	preventing complete withdrawal of the drawer	
N	A47B88/60	1	Tiltably- or pivotally-arranged drawers	
N	A47B88/70	1	Coupled drawers	
N	A47B88/75	2	the secondary drawer being in or above the primary drawer	
N	A47B2088/76	3	{Coupling means therefor}	
N	A47B88/80	1	Concealed drawers	
Q	A47B88/90	1	Constructional details of drawers	A47B88/90, A47B88/969, A47B88/981, A47B88/988, A47B88/994
N	A47B2088/901	2	{Drawers having a lifting mechanism}	
N	A47B2088/902	2	{Corner connectors for drawers}	
N	A47B88/906	2	Drawers being made of one piece of material, e.g. formed from folded sheet material or moulded	
N	A47B88/913	2	Drawers in which among the side walls, the rear wall or the bottom panel, at least one is connected to another one of these elements through a living hinge	
N	A47B88/919	2	Accessories or additional elements for drawers, e.g. drawer lighting (drawers having organising or sorting means A47B88/969)	
N	A47B88/925	3	Additional side walls mountable on existing side walls	
N	A47B88/931	3	Rails or rods mounted above the drawer walls, e.g. for stabilisation of the drawer or for suspension of the content	
N	A47B88/938	4	Means for connecting rails or rods to drawers	
N	A47B2088/939	3	{to the front panel of a drawer}	
N	A47B2088/94	3	{to the back wall of a drawer}	
N	A47B88/941	2	{Drawers being constructed from two or more parts}	
N	A47B88/9412	3	{with at least two sides foldable or hinged}	
N	A47B88/9414	4	{connecting first side panel to bottom panel, back panel to bottom panel and second side panel to bottom by three folding lines}	

CPC NOTICE OF CHANGES 346

DATE: JANUARY 1, 2017

PROJECT RP0408

<u>Type*</u>	<u>Symbol</u>	<u>Indent Level Number of dots (e.g. 0, 1, 2)</u>	<u>Title (new or modified)</u> <u>"CPC only" text should normally be enclosed in {curly brackets}**</u>	<u>Transferred to#</u>
N	A47B88/9416	4	{connecting first side panel to back panel and back panel to second side panel by two folding lines}	
N	A47B88/9418	4	{connecting first side panel to bottom and second side panel to bottom panel by two folding lines}	
N	A47B88/944	2	Drawers characterised by the front panel	
N	A47B2088/9441	3	{the front panel being less wide than the drawer}	
N	A47B88/95	3	characterised by connection means for the front panel	
N	A47B2088/951	4	{having male and female interlocking parts}	
N	A47B2088/952	4	{having two parts and using a screw}	
N	A47B2088/953	4	{fastening the front panel to a metal sheet side wall}	
N	A47B2088/954	4	{fastening the front panel by a sprung bolt, latch or lock-bolt}	
N	A47B2088/955	4	{fastening the front panel using a toggle-lever}	
N	A47B88/956	4	for enabling adjustment of the front panel	
N	A47B88/963	3	having sealing means, e.g. gaskets	
N	A47B88/969	2	Drawers having means for organising or sorting the content	
N	A47B88/975	3	in the form of repositionable partition walls	
N	A47B2088/976	3	{with separate holders}	
N	A47B2088/977	3	{with stamped sheet metal holding the partition walls}	
N	A47B88/981	3	in the form of vertical separation posts	
N	A47B88/988	3	in the form of holders for positioning specific articles	
N	A47B88/994	3	in the form of trays or inserts	
D	A47B2210/0086	1	<i>Drawer safety devices</i>	<administrative transfer to A47B88/50>
D	A47B2210/0089	2	<i>Safety devices for drawers, e.g. anti-pinch</i>	<administrative transfer to A47B88/53>

CPC NOTICE OF CHANGES 346

DATE: JANUARY 1, 2017

PROJECT RP0408

SUBCLASS E05F – DEVICES FOR MOVING WINGS INTO OPEN OR CLOSED POSITION; CHECKS FOR WINGS; WING FITTINGS NOT OTHERWISE PROVIDED FOR, CONCERNED WITH THE FUNCTIONING OF THE WING

<u>Type*</u>	<u>Symbol</u>	<u>Indent Level Number of dots (e.g. 0, 1, 2)</u>	<u>Title (new or modified)</u> <u>“CPC only” text should normally be enclosed in {curly brackets}**</u>	<u>Transferred to#</u>
C	E05F5/00	0	Braking devices, e.g. checks; Stops; Buffers (construction of pneumatic or liquid braking devices E05F3/00; braking devices, buffers or end stops on drawers for tables, cabinets or like furniture A47B88/473; combined with devices for holding wings open E05C17/00; devices for limiting opening of wings or for holding wings open by a movable member extending between frame and wing E05C17/04)	E05F 5/00, A47B88/473, A47B88/477

*N = new entries where reclassification into entries is involved; C = entries with modified file scope where reclassification of documents from the entries is involved; Q = new entries which are firstly populated with documents via administrative transfers from deleted (D) entries. Afterwards, the transferred documents into the Q entry will either stay or be moved to more appropriate entries, as determined by intellectual reclassification; E= existing entries with enlarged file scope, which receive documents from C or D entries, e.g. when a limiting reference is removed from the entry title; M = entries with no change to the file scope (no reclassification); D = deleted entries; F = frozen entries will be deleted once reclassification of documents from the entries is completed; U = entries that are unchanged.

NOTES:

- **No { curly brackets } are used for titles in CPC only subclasses, e.g. C12Y, A23Y; 2000 series symbol titles of groups found at the end of schemes (orthogonal codes); or the Y section titles. The { curly brackets } are used for 2000 series symbol titles found interspersed throughout the main trunk schemes (breakdown codes).
- For U groups, the minimum requirement is to include the U group located immediately prior to the N group or N group array, in order to show the N group hierarchy and improve the readability and understanding of the scheme. Always include the symbol, indent level and title of the U group in the table above.
- All entry types should be included in the scheme changes table above for better understanding of the overall scheme change picture. Symbol, indent level, and title are required for all types except “D” which requires only a symbol.
- #“Transferred to” column must be completed for all C, D, F, and Q type entries. F groups will be deleted once reclassification is completed.
- When multiple symbols are included in the “Transferred to” column, avoid using ranges of symbols in order to be as precise as possible.
- For administrative transfer of documents, the following text should be used: “< administrative transfer to XX>” or “<administrative transfer to XX and YY simultaneously>” when administrative transfer of the same documents is to more than one place.
- Administrative transfer to main trunk groups is assumed to be “invention information”, unless otherwise indicated, and to 2000 series groups is assumed to be “additional information”.

CPC NOTICE OF CHANGES 346

DATE: JANUARY 1, 2017

PROJECT RP0408

B. New, Modified or Deleted Warning notice(s)

SUBCLASS A47B– TABLES; DESKS; OFFICE FURNITURE; CABINETS; DRAWERS; GENERAL DETAILS OF FURNITURE

<u>Type*</u>	<u>Location</u>	<u>Old Warning notice</u>	<u>New/Modified Warning notice</u>
N	A47B88/00		Group A47B88/00 is impacted by reclassification into groups A47B88/90, A47B88/969, A47B88/981, A47B88/988, and A47B88/994. All groups listed in this Warning should be considered in order to perform a complete search.
N	A47B88/40		Group A47B88/40 is impacted by reclassification into groups A47B88/44, A47B88/443, A47B88/447, A47B88/45, A47B88/453, A47B88/46, A47B88/473, and A47B88/477. All groups listed in this Warning should be considered in order to perform a complete search.
N	A47B88/44		Groups A47B88/44, A47B88/443, A47B88/447, and A47B88/45 are incomplete pending reclassification of documents from group A47B88/40. All groups listed in this Warning should be considered in order to perform a complete search.
N	A47B88/453		Groups A47B88/453 and A47B88/46 are incomplete pending reclassification of documents from group A47B88/40. Groups A47B88/453, A47B88/46, and A47B88/40 should be considered in order to perform a complete search.
N	A47B88/473		Groups A47B88/473 and A47B88/477 are incomplete pending reclassification of documents from groups A47B88/40 and E05F5/00. All groups listed in this Warning should be considered in order to perform a complete search.
N	A47B88/483		Group A47B88/483 is impacted by reclassification of documents into group A47B88/497. Groups A47B88/483 and A47B88/497 should be considered in order to perform a complete search.
N	A47B88/487		Group A47B88/487 is impacted by reclassification of documents into group A47B88/497. Groups A47B88/487 and A47B88/497 should be considered in order to perform a complete search.
N	A47B88/497		Group A47B88/497 is incomplete pending reclassification of documents from groups A47B88/483 and A47B88/487. Groups A47B88/483, A47B88/487, and A47B88/497 should be considered in order to perform a complete search.
N	A47B88/90		Group A47B88/90 is incomplete pending reclassification of documents from group A47B88/00. Group A47B88/90 is also impacted by reclassification into groups A47B88/969, A47B88/981, A47B88/988, and A47B88/994. All groups listed in this Warning should be considered in order to perform a complete search.
N	A47B88/969		Groups A47B88/969 is incomplete pending reclassification of documents from groups A47B88/00 and A47B88/90. Groups A47B88/00, A47B88/90, and A47B88/969 should be considered in order to perform a complete search.

CPC NOTICE OF CHANGES 346

DATE: JANUARY 1, 2017

PROJECT RP0408

<u>Type*</u>	<u>Location</u>	<u>Old Warning notice</u>	<u>New/Modified Warning notice</u>
N	A47B88/981		Groups A47B88/981 is incomplete pending reclassification of documents from groups A47B88/00 and A47B88/90. Groups A47B88/00, A47B88/90, and A47B88/981 should be considered in order to perform a complete search.
N	A47B88/988		Groups A47B88/988 is incomplete pending reclassification of documents from groups A47B88/00 and A47B88/90. Groups A47B88/00, A47B88/90, and A47B88/988 should be considered in order to perform a complete search.
N	A47B88/994		Groups A47B88/994 is incomplete pending reclassification of documents from groups A47B88/00 and A47B88/90. Groups A47B88/00, A47B88/90, and A47B88/994 should be considered in order to perform a complete search.

SUBCLASS E05F – DEVICES FOR MOVING WINGS INTO OPEN OR CLOSED POSITION; CHECKS FOR WINGS; WING FITTINGS NOT OTHERWISE PROVIDED FOR, CONCERNED WITH THE FUNCTIONING OF THE WING

<u>Type*</u>	<u>Location</u>	<u>Old Warning notice</u>	<u>New/Modified Warning notice</u>
N	E05F5/00		Group E05F5/00 is impacted by reclassification into groups A47B88/473 and A47B88/477. Groups E05F5/00, A47B88/473, and A47B88/477 should be considered in order to perform a complete search.

*N = new warning, M = modified warning, D = deleted warning

NOTE: The “Location” column only requires the symbol PRIOR to the location of the warning. No further directions such as “before” or “after” are required.

2. A. DEFINITIONS

(Definitions Modified)

A47B88/00

Definition statement

Delete: The patent number below the existing image.

US4923321

Limiting References

Insert: The following new row in the Limiting references table.

Drawers coupled to doors	A47B96/16
--------------------------	---------------------------

Informative references

Delete: The following row from the Informative references table.

Drawers coupled to doors	A47B96/16
--------------------------	---------------------------

E05F5/00

Delete: The entire Relationships section shown below.

Relationships with other classification places

Construction of braking devices integrated in openers and closers, including self-closing hinges, in E05F3/00.

Delete: The entire Informative references section shown below.

Informative references

Braking devices combined with devices for holding the wing	E05C17/00
Devices for limiting opening of wings	E05C17/04

Insert: The new Limiting references section shown below.

Limiting references

This place does not cover:

Braking devices, buffers or end stops on drawers for tables, cabinets or like furniture	A47B88/473
Braking devices combined with devices for holding the wing	E05C17/00
Devices for limiting opening of wings	E05C17/04
Construction of pneumatic or liquid braking devices	E05F3/00

(Definitions New)

Insert the following new definitions.

A47B88/40

References

Informative references

Attention is drawn to the following places, which may be of interest for search:

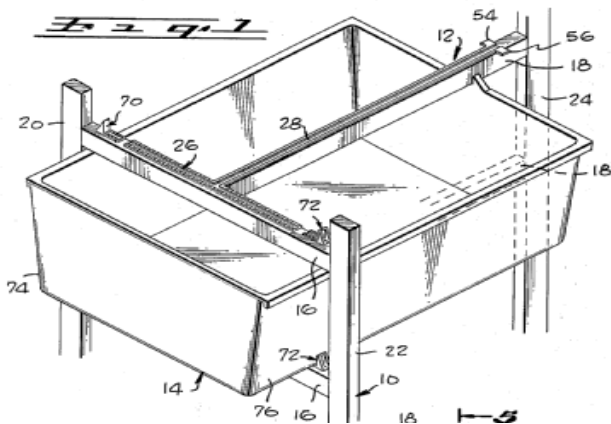
Linear slides in general	F16C 29/00
Drawers for fridges	F25D 25/024

A47B88/402

Definition statement

This place covers:

Illustrative example of subject matter classified in [A47B88/402](#):



References

Informative References

Attention is drawn to the following places, which may be of interest for search:

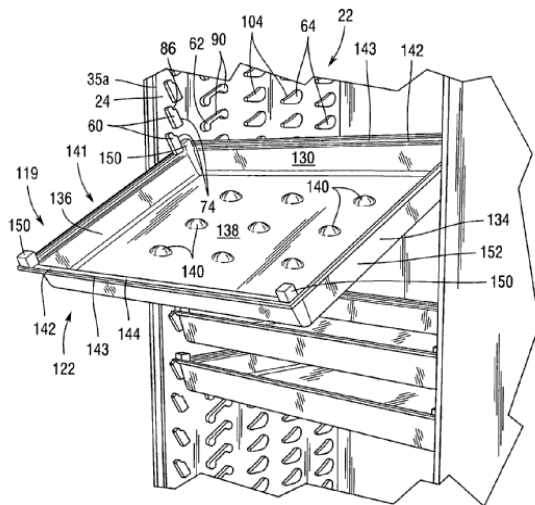
Slides or guides with fastening devices at cabinet side	A47B88/43
---	---------------------------

A47B88/417

Definition statement

This place covers:

Illustrative example of subject matter classified in [A47B88/417](#):



A47B88/42

Definition statement

This place covers:

Illustrative example of subject matter classified in [A47B88/42](#):

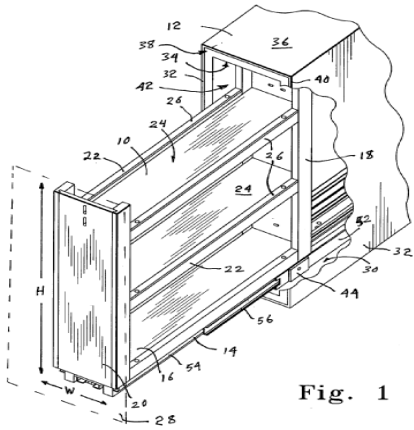


Fig. 1

References

Informative references

Attention is drawn to the following places, which may be of interest for search:

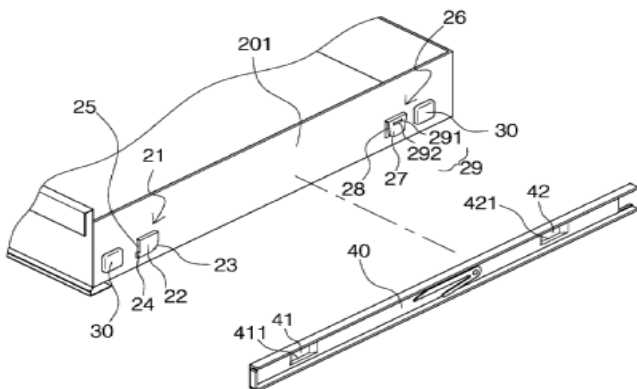
Cabinet systems, e.g. consisting of cabinets arranged in a row with means to open or close passages between adjacent cabinets	A47B53/02
---	---------------------------

A47B88/427

Definition statement

This place covers:

Illustrative example of subject matter classified in [A47B88/427](#):



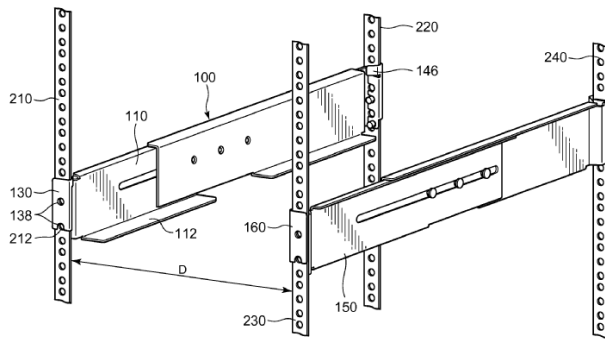
A47B88/43

Definition statement

This place covers:

Illustrative example of subject matter classified in [A47B88/43](#):

FIG. 6

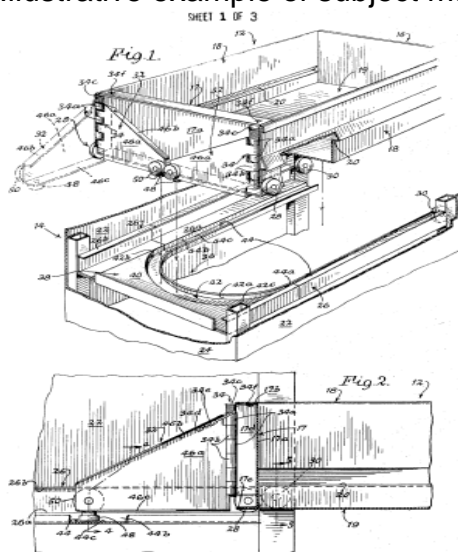


A47B88/433

Definition statement

This place covers:

Illustrative example of subject matter classified in [A47B88/433](#):

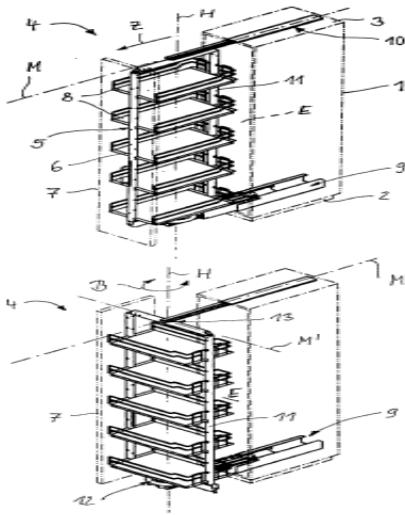


A47B88/48

Definition statement

This place covers:

Illustrative example of subject matter classified in [A47B88/48](#):

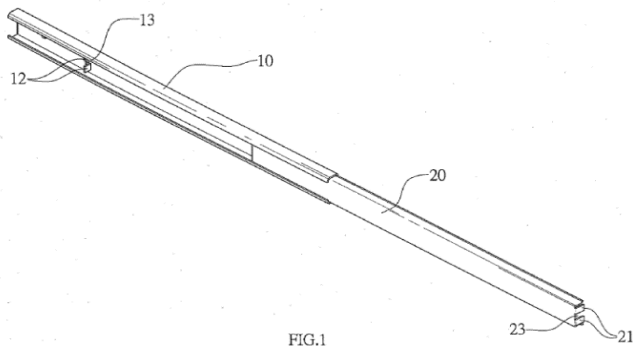


A47B88/483

Definition statement

This place covers:

Single extensible slides and similar arrangements



References

Informative references

Attention is drawn to the following places, which may be of interest for search:

Linear slides in general	F16C29/00
--------------------------	---------------------------

A47B88/487

References

Informative references

Attention is drawn to the following places, which may be of interest for search:

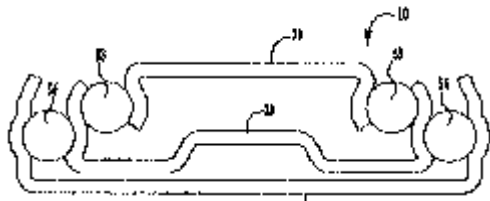
Linear slides in general	F16C29/00
--------------------------	---------------------------

A47B88/49

Definition statement

This place covers:

Illustrative example of subject matter classified in [A47B88/49](#):



Informative references

Attention is drawn to the following places, which may be of interest for search:

Linear slides in general	F16C29/00
--------------------------	---------------------------

A47B88/493

Informative references

Attention is drawn to the following places, which may be of interest for search:

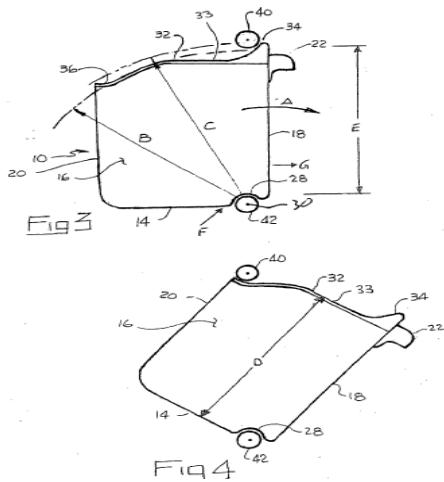
Linear slides in general	F16C29/00
--------------------------	---------------------------

A47B88/60

Definition statement

This place covers:

Illustrative example of subject matter classified in [A47B88/60](#):



References

Informative references

Attention is drawn to the following places, which may be of interest for search:

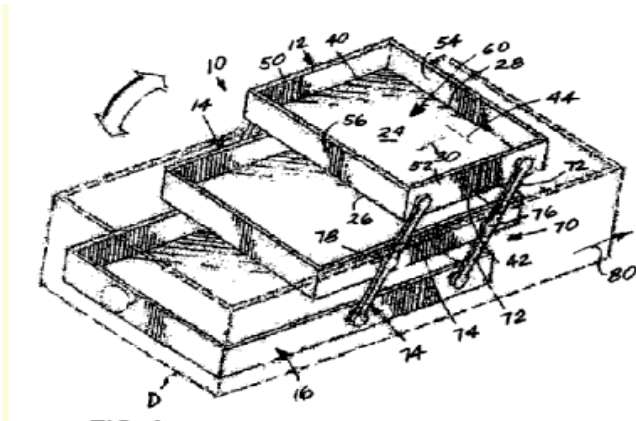
Cabinets, racks or shelf units, having one or more surfaces adapted to be brought into position for use by extending or pivoting by displacement in a vertical plane: by rotating about a horizontal axis	A47B46/005
---	----------------------------

A47B88/70

Definition statement

This place covers:

Illustrative example of subject matter classified in [A47B88/70](#)



A47B88/90

References

Informative references

Attention is drawn to the following places, which may be of interest for search:

Partitions for show shelves	A47F5/005
Cabinets, racks or shelf units with means for adjusting partitions horizontally	A47B57/58 - A47B57/588
Book troughs, accessories specially adapted for book storing	A47B65/00

A47B88/9412

References

Informative references

Attention is drawn to the following places, which may be of interest for search:

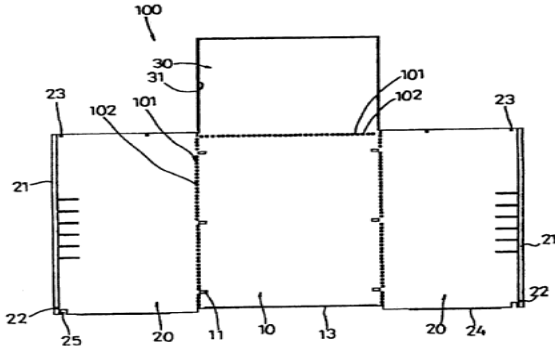
Furniture panels or like furniture elements with a continuous layer allowing folding	A47B96/202
--	----------------------------

A47B88/9414

Definition statement

This place covers:

Illustrative example of subject matter classified in [A47B88/9414](#)



References

Informative references

Attention is drawn to the following places, which may be of interest for search:

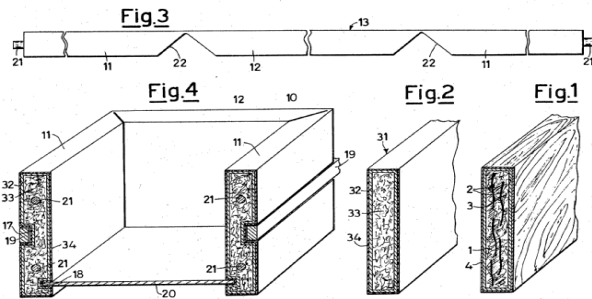
Furniture panels or like furniture elements with a continuous layer allowing folding	A47B96/202
--	----------------------------

A47B88/9416

Definition statement

This place covers:

Illustrative example of subject matter classified in [A47B88/9416](#)



References

Informative references

Attention is drawn to the following places, which may be of interest for search:

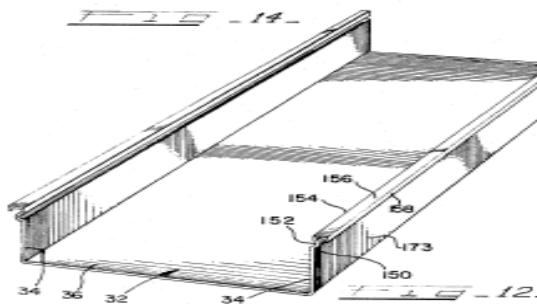
Furniture panels or like furniture elements with a continuous layer allowing folding	A47B96/202
--	----------------------------

A47B88/9418

Definition statement

This place covers:

Illustrative example of subject matter classified in [A47B88/9418](#)



References

Informative references

Attention is drawn to the following places, which may be of interest for search:

Furniture panels or like furniture elements with a continuous layer allowing folding	A47B96/202
--	----------------------------

CPC NOTICE OF CHANGES 346

DATE: JANUARY 1, 2017

PROJECT RP0408

2. B. DEFINITIONS QUICK FIX

<u>Symbol</u>	<u>Location of change</u> (e.g., section title)	<u>Existing reference symbol or text</u>	<u>Action; New symbol; New text</u>
A47B88/0018			Delete symbol and entire definition.
A47B88/0022			Delete symbol and entire definition.
A47B88/0025			Delete symbol and entire definition.
A47B88/0029			Delete symbol and entire definition.
A47B88/02			Delete symbol and entire definition.
A47B88/04			Delete symbol and entire definition.
A47B88/0422			Delete symbol and entire definition.
A47B88/044			Delete symbol and entire definition.
A47B88/0451			Delete symbol and entire definition.
A47B88/0455			Delete symbol and entire definition.
A47B88/0462			Delete symbol and entire definition.
A47B88/0485			Delete symbol and entire definition.
A47B88/06			Delete symbol and entire definition.
A47B88/08			Delete symbol and entire definition.
A47B88/10			Delete symbol and entire definition.
A47B88/12			Delete symbol and entire definition.
A47B88/14			Delete symbol and entire definition.
A47B88/18			Delete symbol and entire definition.
A47B88/20			Delete symbol and entire definition.

NOTES:

- The table above is used for corrections or modifications to existing definitions, e.g. delete an entire definition or part thereof; propose new wording or modify wording of a section, change the symbol the definition is associated with, change or delete a reference symbol, etc.
- Do not delete (F) symbol definitions.

CPC NOTICE OF CHANGES 346

DATE: JANUARY 1, 2017

PROJECT RP0408

3. REVISION CONCORDANCE LIST (RCL)

Type*	From CPC Symbol (existing)	To CPC Symbol(s)
C	A47B88/00	A47B88/00, A47B88/90, A47B88/969, A47B88/981, A47B88/988, A47B88/994
D	A47B88/0003	<administrative transfer to A47B88/906>
D	A47B2088/0007	<administrative transfer to A47B88/925>
D	A47B2088/0011	<administrative transfer to A47B88/919>
D	A47B88/0014	<administrative transfer to A47B88/941>
D	A47B88/0018	<administrative transfer to A47B88/9412>
D	A47B88/0022	<administrative transfer to A47B88/9414>
D	A47B88/0025	<administrative transfer to A47B88/9416>
D	A47B88/0029	<administrative transfer to A47B88/9418>
D	A47B2088/0033	<administrative transfer to A47B88/931>
D	A47B2088/0037	<administrative transfer to A47B2088/902>
D	A47B2088/004	<administrative transfer to A47B88/913>
D	A47B88/0044	<administrative transfer to A47B88/944>
D	A47B2088/0048	<administrative transfer to A47B2088/9441>
D	A47B88/0051	<administrative transfer to A47B88/95>
D	A47B88/0055	<administrative transfer to A47B88/956>
D	A47B2088/0059	<administrative transfer to A47B2088/951>
D	A47B2088/0062	<administrative transfer to A47B2088/952>
D	A47B2088/0066	<administrative transfer to A47B2088/953>
D	A47B2088/007	<administrative transfer to A47B2088/954>
D	A47B2088/0074	<administrative transfer to A47B2088/955>
D	A47B2088/0077	<administrative transfer to A47B88/963>
D	A47B2088/0081	<administrative transfer to A47B2088/901>
D	A47B88/0085	<administrative transfer to A47B88/931>
D	A47B2088/0088	<administrative transfer to A47B88/938>
D	A47B2088/0092	<administrative transfer to A47B2088/939>
D	A47B2088/0096	<administrative transfer to A47B2088/94>
D	A47B88/02	<administrative transfer to A47B88/70>
D	A47B2088/023	<administrative transfer to A47B88/75>
D	A47B2088/026	<administrative transfer to A47B2088/76>
D	A47B88/04	<administrative transfer to A47B88/40>
D	A47B2088/0403	<administrative transfer to A47B88/403>
D	A47B88/0407	<administrative transfer to A47B88/407>
D	A47B88/0411	<administrative transfer to A47B88/41>
D	A47B88/0414	<administrative transfer to A47B88/457>
D	A47B88/0418	<administrative transfer to A47B88/423>
D	A47B88/0422	<administrative transfer to A47B88/427>
D	A47B2088/0425	<administrative transfer to A47B2088/4272>
D	A47B2088/0429	<administrative transfer to A47B2088/4274>
D	A47B2088/0433	<administrative transfer to A47B2088/4276>
D	A47B2088/0437	<administrative transfer to A47B2088/4278>
D	A47B88/044	<administrative transfer to A47B88/43>
D	A47B2088/0444	<administrative transfer to A47B2088/4235>

CPC NOTICE OF CHANGES 346

DATE: JANUARY 1, 2017

PROJECT RP0408

Type*	From CPC Symbol (existing)	To CPC Symbol(s)
D	A47B2088/0448	<administrative transfer to A47B2088/401>
D	A47B88/0451	<administrative transfer to A47B88/417>
D	A47B88/0455	<administrative transfer to A47B88/402>
D	A47B2088/0459	<administrative transfer to A47B2088/4015>
D	A47B88/0462	<administrative transfer to A47B88/433>
D	A47B88/0466	<administrative transfer to A47B88/437>
D	A47B88/047	<administrative transfer to A47B88/467>
D	A47B2088/0474	<administrative transfer to A47B2088/4675>
D	A47B88/0477	<administrative transfer to A47B88/463>
D	A47B88/0481	<administrative transfer to A47B88/47>
D	A47B88/0485	<administrative transfer to A47B88/42>
D	A47B2088/0488	<administrative transfer to A47B2088/421>
D	A47B2088/0492	<administrative transfer to A47B2088/422>
D	A47B2088/0496	<administrative transfer to A47B88/413>
D	A47B88/06	<administrative transfer to A47B88/48>
D	A47B88/08	<administrative transfer to A47B88/49>
D	A47B88/10	<administrative transfer to A47B88/493>
D	A47B88/12	<administrative transfer to A47B88/483 >
D	A47B88/14	<administrative transfer to A47B88/487 >
D	A47B88/16	<administrative transfer to A47B88/57>
D	A47B88/18	<administrative transfer to A47B88/60>
D	A47B88/20	<administrative transfer to A47B88/90>
D	A47B2088/202	<administrative transfer to A47B88/975>
D	A47B2088/205	<administrative transfer to A47B2088/976>
D	A47B2088/207	<administrative transfer to A47B2088/977>
D	A47B88/22	<administrative transfer to A47B88/80>
Q	A47B88/40	A47B88/40, A47B88/44, A47B88/443, A47B88/447, A47B88/45, A47B88/453, A47B88/46, A47B88/473, A47B88/477,
Q	A47B88/483	A47B88/483, A47B88/497
Q	A47B88/487	A47B88/487, A47B88/497
Q	A47B88/90	A47B88/90, A47B88/969, A47B88/981, A47B88/988, A47B88/994
D	A47B2210/0086	<administrative transfer to A47B88/50>
D	A47B2210/0089	<administrative transfer to A47B88/53>
C	E05F 5/00	E05F 5/00, A47B88/473, A47B88/477

* C = entries with modified file scope where reclassification of documents from the entries is involved; Q = new entries which are firstly populated with documents via administrative transfers from deleted (D) entries. Afterwards, the transferred documents into the Q entry will either stay or be moved to more appropriate entries, as determined by intellectual reclassification; D = deleted entries.

NOTES:

- Only C, D, F and Q type entries are included in the table above.
- When multiple symbols are included in the “To” column, avoid using ranges of symbols in order to be as precise as possible.
- For administrative transfer of documents, the following text should be used: “< administrative transfer to XX>” or “<administrative transfer to XX and YY simultaneously>” when administrative transfer of the same documents is to more than one place.
- Administrative transfer to main trunk groups is assumed to be “invention information”, unless otherwise indicated, and to 2000 series groups is assumed to be “additional information”.

CPC NOTICE OF CHANGES 346

DATE: JANUARY 1, 2017

PROJECT RP0408

4. CHANGES TO THE CPC-TO-IPC CONCORDANCE LIST (CICL)

<u>CPC</u>	<u>IPC</u>	<u>Action*</u>
A47B88/0003		DELETE
A47B2088/0007		DELETE
A47B2088/0011		DELETE
A47B88/0014		DELETE
A47B88/0018		DELETE
A47B88/0022		DELETE
A47B88/0025		DELETE
A47B88/0029		DELETE
A47B2088/0033		DELETE
A47B2088/0037		DELETE
A47B2088/004		DELETE
A47B88/0044		DELETE
A47B2088/0048		DELETE
A47B88/0051		DELETE
A47B88/0055		DELETE
A47B2088/0059		DELETE
A47B2088/0062		DELETE
A47B2088/0066		DELETE
A47B2088/007		DELETE
A47B2088/0074		DELETE
A47B2088/0077		DELETE
A47B2088/0081		DELETE
A47B88/0085		DELETE
A47B2088/0088		DELETE
A47B2088/0092		DELETE
A47B2088/0096		DELETE
A47B88/02		DELETE
A47B2088/023		DELETE
A47B2088/026		DELETE
A47B88/04		DELETE
A47B2088/0403		DELETE
A47B88/0407		DELETE
A47B88/0411		DELETE
A47B88/0414		DELETE
A47B88/0418		DELETE
A47B88/0422		DELETE
A47B2088/0425		DELETE
A47B2088/0429		DELETE
A47B2088/0433		DELETE
A47B2088/0437		DELETE
A47B88/044		DELETE
A47B2088/0444		DELETE

CPC NOTICE OF CHANGES 346

DATE: JANUARY 1, 2017

PROJECT RP0408

<u>CPC</u>	<u>IPC</u>	<u>Action*</u>
A47B2088/0448		DELETE
A47B88/0451		DELETE
A47B88/0455		DELETE
A47B2088/0459		DELETE
A47B88/0462		DELETE
A47B88/0466		DELETE
A47B88/047		DELETE
A47B2088/0474		DELETE
A47B88/0477		DELETE
A47B88/0481		DELETE
A47B88/0485		DELETE
A47B2088/0488		DELETE
A47B2088/0492		DELETE
A47B2088/0496		DELETE
A47B88/06		DELETE
A47B88/08		DELETE
A47B88/10		DELETE
A47B88/12		DELETE
A47B88/14		DELETE
A47B88/16		DELETE
A47B88/18		DELETE
A47B88/20		DELETE
A47B2088/202		DELETE
A47B2088/205		DELETE
A47B2088/207		DELETE
A47B88/22		DELETE
A47B88/40	A47B88/40	NEW
A47B2088/401	A47B88/40	NEW
A47B2088/4015	A47B88/40	NEW
A47B88/402	A47B88/40	NEW
A47B88/403	A47B88/403	NEW
A47B88/407	A47B88/407	NEW
A47B88/41	A47B88/41	NEW
A47B88/413	A47B88/413	NEW
A47B88/417	A47B88/417	NEW
A47B88/42	A47B88/42	NEW
A47B2088/421	A47B88/42	NEW
A47B2088/422	A47B88/42	NEW
A47B88/423	A47B88/423	NEW
A47B2088/4235	A47B88/423	NEW
A47B88/427	A47B88/427	NEW
A47B2088/4272	A47B88/427	NEW
A47B2088/4274	A47B88/427	NEW

CPC NOTICE OF CHANGES 346

DATE: JANUARY 1, 2017

PROJECT RP0408

<u>CPC</u>	<u>IPC</u>	<u>Action*</u>
A47B2088/4276	A47B88/427	NEW
A47B2088/4278	A47B88/427	NEW
A47B88/43	A47B88/43	NEW
A47B88/433	A47B88/433	NEW
A47B88/437	A47B88/437	NEW
A47B88/44	A47B88/44	NEW
A47B88/443	A47B88/443	NEW
A47B88/447	A47B88/447	NEW
A47B88/45	A47B88/45	NEW
A47B88/453	A47B88/453	NEW
A47B88/457	A47B88/457	NEW
A47B88/46	A47B88/46	NEW
A47B88/463	A47B88/463	NEW
A47B88/467	A47B88/467	NEW
A47B2088/4675	A47B88/467	NEW
A47B88/47	A47B88/47	NEW
A47B88/473	A47B88/473	NEW
A47B88/477	A47B88/477	NEW
A47B88/48	A47B88/48	NEW
A47B88/483	A47B88/483	NEW
A47B88/487	A47B88/487	NEW
A47B88/49	A47B88/49	NEW
A47B88/493	A47B88/493	NEW
A47B88/497	A47B88/497	NEW
A47B88/50	A47B88/50	NEW
A47B88/53	A47B88/53	NEW
A47B88/57	A47B88/57	NEW
A47B88/60	A47B88/60	NEW
A47B88/70	A47B88/70	NEW
A47B88/75	A47B88/75	NEW
A47B2088/76	A47B88/75	NEW
A47B88/80	A47B88/80	NEW
A47B88/90	A47B88/90	NEW
A47B2088/901	A47B88/90	NEW
A47B2088/902	A47B88/90	NEW
A47B88/906	A47B88/906	NEW
A47B88/913	A47B88/913	NEW
A47B88/919	A47B88/919	NEW
A47B88/925	A47B88/925	NEW
A47B88/931	A47B88/931	NEW
A47B88/938	A47B88/938	NEW
A47B2088/939	A47B88/919	NEW
A47B2088/94	A47B88/919	NEW

CPC NOTICE OF CHANGES 346

DATE: JANUARY 1, 2017

PROJECT RP0408

<u>CPC</u>	<u>IPC</u>	<u>Action*</u>
A47B88/941	A47B88/90	NEW
A47B88/9412	A47B88/90	NEW
A47B88/9414	A47B88/90	NEW
A47B88/9416	A47B88/90	NEW
A47B88/9418	A47B88/90	NEW
A47B88/944	A47B88/944	NEW
A47B2088/9441	A47B88/944	NEW
A47B88/95	A47B88/95	NEW
A47B2088/951	A47B88/95	NEW
A47B2088/952	A47B88/95	NEW
A47B2088/953	A47B88/95	NEW
A47B2088/954	A47B88/95	NEW
A47B2088/955	A47B88/95	NEW
A47B88/956	A47B88/956	NEW
A47B88/963	A47B88/963	NEW
A47B88/969	A47B88/969	NEW
A47B88/975	A47B88/975	NEW
A47B2088/976	A47B88/969	NEW
A47B2088/977	A47B88/969	NEW
A47B88/981	A47B88/981	NEW
A47B88/988	A47B88/988	NEW
A47B88/994	A47B88/994	NEW
A47B2210/0086		DELETE
A47B2210/0089		DELETE

*Action column:

- For an (N) or (Q) entry, provide an IPC symbol and complete the Action column with “NEW.”
- For an existing CPC main trunk entry or indexing entry where the existing IPC symbol needs to be changed, provide an updated IPC symbol and complete the Action column with “UPDATED.”
- For a (D) CPC entry or indexing entry complete the Action column with “DELETE.” IPC symbol does not need to be included in the IPC column.
- For an (N) 2000 series CPC entry which is positioned within the main trunk scheme (breakdown code) provide an IPC symbol and complete the action column with “NEW”.
- For an (N) 2000 series CPC entry positioned at the end of the CPC scheme (orthogonal code), with no IPC equivalent, complete the IPC column with “CPCONLY” and complete the action column with “NEW”.

NOTES:

- F symbols are not included in the CICL table above.
- E and M symbols are not included in the CICL table above unless a change to the existing IPC is desired.

CPC NOTICE OF CHANGES 346

DATE: JANUARY 1, 2017

PROJECT RP0408

5. CROSS-REFERENCE LIST (CRL)

Scheme references impacted by this revision project

<u>Location of reference to be changed</u>	<u>Referenced subclass or group to be changed</u>	<u>Action; New reference symbol; New text</u>
A47B96/202	A47B88/0018	A47B88/9412
A47F5/005	drawers with compartments A47B88/20	constructional details of drawers A47B88/90

Definitions references impacted by this revision project

<u>Location of reference to be changed</u>	<u>Referenced subclass or group to be changed</u>	<u>Section of definition</u>	<u>Action; New reference symbol; New text</u>
A47F5/0037	A47B88/06	Informative references	A47B88/48
A47F5/0037	A47B88/18	Informative references	A47B88/60
A47F5/005	drawers with compartments A47B88/20	Informative references	constructional details of drawers A47B88/90
A47G21/14	drawers with compartments A47B88/20	Informative references	constructional details of drawers A47B88/90
A47L15/501	A47B88/04	Informative references	A47B88/40
F16C13/00	A47B88/10, A47B88/14	Application-oriented references	A47B88/487, A47B88/493, A47B88/497
F16C29/00	A47B88/04	Application-oriented references	A47B88/40
F24C15/16	A47B88/04	Informative references	A47B88/40

NOTES:

- The CRL tables above are used for changes to locations **outside** of the project scope. Changes to references in scheme titles or definitions **inside** the project scope will be reflected in the “scheme change” template or one of the “definition” templates.
- In addition to other changes proposed in the tables above, in the column titled “Referenced subclass or group to be changed,” **referenced** D symbols should indicate an action of “delete” or should indicate a replacement symbol and **referenced** F symbols should indicate a replacement symbol.
- When a reference is deleted, text related to that reference will also be deleted unless other references or a range of references associated with the same text remain.