

EUROPEAN PATENT OFFICE  
U.S. PATENT AND TRADEMARK OFFICE

CPC NOTICE OF CHANGES 401

DATE: MAY 1, 2017

PROJECT RP0074

**The following classification changes will be effected by this Notice of Changes:**

<u>Action*</u>	<u>Subclass</u>	<u>Group(s)</u>	
<b>Symbols newly created:</b>	A47D	1/0081	
	A47D	1/0083	
	A47D	1/0085	
	A47D	1/023	
	A47D	3/001	
<b>Title wording change:</b>	A47D	1/008	
	A47D	1/04	
	A47D	3/00	
<b>New Definitions:</b>	A47D	1/008	
	A47D	1/0081	
	A47D	1/0083	
	A47D	1/0085	
	A47D	1/02	
	A47D	1/023	
	A47D	3/001	
<b>Modified Definitions:</b>	A47D	3/00	
<b>Scheme Warning Notices to be added/modified:</b>	A47D	1/008	
	A47D	1/0081	
	A47D	1/0083	
	A47D	1/0085	
	A47D	1/02	
	A47D	1/023	
	A47D	3/00	
	A47D	3/001	

**No other subclasses/groups are impacted by this Notice of Changes.**

**This Notice of Changes includes the following [Check the ones included]:**

1. CLASSIFICATION SCHEME CHANGES
  - A. New, Modified or Deleted Group(s)
  - B. New, Modified or Deleted Warning Notice(s)

CPC NOTICE OF CHANGES 401

DATE: MAY 1, 2017

PROJECT RP0074

- C. New, Modified or Deleted Note(s)
- D. New, Modified or Deleted Guidance Heading(s)
- 2. DEFINITIONS (New or Modified)
  - A. DEFINITIONS (Full definition template)
  - B. DEFINITIONS (Definitions Quick Fix)
- 3.  REVISION CONCORDANCE LIST (RCL)
- 4.  CHANGES TO THE CPC-TO-IPC CONCORDANCE LIST (CICL)
- 5.  CROSS-REFERENCE LIST (CRL)

CPC NOTICE OF CHANGES 401

DATE: MAY 1, 2017

PROJECT RP0074

1. CLASSIFICATION SCHEME CHANGES

A. New, Modified or Deleted Group(s)

**SUBCLASS A47D FURNITURE SPECIALLY ADAPTED FOR CHILDREN (school benches or desks A47B 39/00, A47B 41/00)**

<u>Type*</u>	<u>Symbol</u>	<u>Indent Level Number of dots (e.g. 0, 1, 2)</u>	<u>Title (new or modified)</u> <u>“CPC only” text should normally be enclosed in {curly brackets}**</u>	<u>Transferred to<sup>#</sup></u>
U	A47D 1/006	1	{dismountable}	
C	A47D 1/008	1	{with trays (combinations of chairs and tables A47B 83/02; children’s chairs combined with tables A47D 3/00)}	A47D 1/008, A47D 1/0081, A47D 1/0083, A47D 1/0085
N	A47D 1/0081	2	{adjustable}	
N	A47D 1/0083	2	{movable to inoperative position}	
N	A47D 1/0085	2	{removable}	
C	A47D 1/02	1	Foldable chairs {(foldable rocking-chairs A47D 13/10)}	A47D 1/02, A47D 1/023
N	A47D 1/023	2	{of high chair type}	
M	A47D 1/04	1	convertible from a high chair to a low one {, e.g.} by reversing	
C	A47D 3/00	0	Children’s tables {(school forms A47B 39/00; school desks or tables A47B 41/00)}	A47D 3/00, A47D 3/001
N	A47D 3/001	1	{surrounding the seat}	

\*N = new entries where reclassification into entries is involved; C = entries with modified file scope where reclassification of documents from the entries is involved; Q = new entries which are firstly populated with documents via administrative transfers from deleted (D) entries. Afterwards, the transferred documents into the Q entry will either stay or be moved to more appropriate entries, as determined by intellectual reclassification; E= existing entries with enlarged file scope, which receive documents from C or D entries, e.g. when a limiting reference is removed from the entry title; M = entries with no change to the file scope (no reclassification); D = deleted entries; F = frozen entries will be deleted once reclassification of documents from the entries is completed; U = entries that are unchanged.

NOTES:

- \*\*No {curly brackets} are used for titles in CPC only subclasses, e.g. C12Y, A23Y; 2000 series symbol titles of groups found at the end of schemes (orthogonal codes); or the Y section titles. The {curly brackets} are used for 2000 series symbol titles found interspersed throughout the main trunk schemes (breakdown codes).

## CPC NOTICE OF CHANGES 401

DATE: MAY 1, 2017

PROJECT RP0074

- For U groups, the minimum requirement is to include the U group located immediately prior to the N group or N group array, in order to show the N group hierarchy and improve the readability and understanding of the scheme. Always include the symbol, indent level and title of the U group in the table above.
- All entry types should be included in the scheme changes table above for better understanding of the overall scheme change picture. Symbol, indent level, and title are required for all types except “D” which requires only a symbol.
- #“Transferred to” column must be completed for all C, D, F, and Q type entries. F groups will be deleted once reclassification is completed.
- When multiple symbols are included in the “Transferred to” column, avoid using ranges of symbols in order to be as precise as possible.
- For administrative transfer of documents, the following text should be used: “< administrative transfer to XX>” or “<administrative transfer to XX and YY simultaneously>” when administrative transfer of the same documents is to more than one place.
- Administrative transfer to main trunk groups is assumed to be “invention information”, unless otherwise indicated, and to 2000 series groups is assumed to be “additional information”.

CPC NOTICE OF CHANGES 401

DATE: MAY 1, 2017

PROJECT RP0074

B. New, Modified or Deleted Warning notice(s)

**SUBCLASS A47D FURNITURE SPECIALLY ADAPTED FOR CHILDREN (school benches or desks A47B 39/00, A47B 41/00)**

<u>Type*</u>	<u>Location</u>	<u>Old Warning notice</u>	<u>New/Modified Warning notice</u>
N	A47D1/008		Group A47D1/008 is impacted by reclassification into groups A47D1/0081, A47D1/0083 and A47D1/0085. Groups A47D1/008 and A47D1/0081, A47D1/0083 and A47D1/0085 should be considered in order to perform a complete search
N	A47D 1/0081		Group A47D 1/0081 is incomplete pending reclassification of documents from group A47D 1/008. Groups A47D 1/008 and A47D 1/0081 should be considered in order to perform a complete search.
N	A47D 1/0083		Group A47D 1/0083 is incomplete pending reclassification of documents from group A47D 1/008. Groups A47D 1/008 and A47D 1/0083 should be considered in order to perform a complete search.
N	A47D 1/0085		Group A47D 1/0085 is incomplete pending reclassification of documents from group A47D 1/008. Groups A47D 1/008 and A47D 1/0085 should be considered in order to perform a complete search.
N	A47D1/02		Group A47D1/02 is impacted by reclassification into group A47D1/023. Groups A47D1/02 and A47D1/023 should be considered in order to perform a complete search
N	A47D 1/023		Group A47D 1/023 is incomplete pending reclassification of documents from group A47D 1/02. Groups A47D 1/02 and A47D 1/023 should be considered in order to perform a complete search.
N	A47D3/00		Group A47D3/00 is impacted by reclassification into group A47D3/001. Groups A47D3/00 and A47D3/001 should be considered in order to perform a complete search
N	A47D 3/001		Group A47D 3/001 is incomplete pending reclassification of documents from group A47D 3/00. Groups A47D 3/00 and A47D 3/001 should be

CPC NOTICE OF CHANGES 401

DATE: MAY 1, 2017

PROJECT RP0074

<u>Type*</u>	<u>Location</u>	<u>Old Warning notice</u>	<u>New/Modified Warning notice</u>
			considered in order to perform a complete search.

\*N = new warning, M = modified warning, D = deleted warning

NOTE: The "Location" column only requires the symbol PRIOR to the location of the warning. No further directions such as "before" or "after" are required.

DATE: MAY 1, 2017

PROJECT RP0074

## 2. A. DEFINITIONS (New)

### A47D 1/008

**{with trays (combinations of chairs and tables A47B 83/02; children's chairs combined with tables A47D 3/00)}**

#### Definition statement

*This place covers:*

Subject matter including a chair and an attached tray. The tray is an element having a horizontal surface (at least in an operative or use position) configured to support articles on top of it. In general, the tray is relatively small (a table encircling a chair is not considered a tray; see the references below) so that the supporting structure of the chair and tray is not substantially larger than required to support a chair alone. The tray is attached to only a single chair.

#### References

##### Limiting references

*This place does not cover:*

Children's chairs combined with tables	<a href="#">A47D 3/00</a>
Combinations of chairs and tables	<a href="#">A47B 83/02</a>

DATE: MAY 1, 2017

PROJECT RP0074

## **A47D 1/0081**

**{adjustable}**

### **Definition statement**

*This place covers:*

Subject matter in which the tray can be moved between and fixed in a plurality of use positions relative to the chair seat without the use of tools.



DATE: MAY 1, 2017

PROJECT RP0074

## **A47D 1/0083**

**{movable to inoperative position}**

### **Definition statement**

*This place covers:*

Subject matter in which the tray is movable to a position in which it is not usable (e.g., due to its normally horizontal surface lying in a vertical plane) while remaining attached to the chair.

DATE: MAY 1, 2017

PROJECT RP0074

## **A47D 1/0085**

**{removable}**

### **Definition statement**

*This place covers:*

Subject matter in which the tray is constructed so as to allow separation of the tray from the chair without destroying either one.

DATE: MAY 1, 2017

PROJECT RP0074

## **A47D 1/02**

### **Foldable chairs {(foldable rocking-chairs A47D 13/10)}**

#### **Definition statement**

*This place covers:*

Subject matter in which the chair is configured so as to allow collapse (e.g., for storage) of the chair into a form that occupies less volume than its normal use form by relative pivotal movement of parts of the chair while the parts remain attached to each other.

#### **References**

##### **Limiting references**

*This place does not cover:*

foldable rocking-chairs	<a href="#">A47D 13/10</a>
-------------------------	----------------------------

DATE: MAY 1, 2017

PROJECT RP0074

## **A47D 1/023**

**{of high chair type}**

### **Definition statement**

*This place covers:*

Subject matter in which the seat of the chair is located, in normal use, at a height such that the feet of a seated child are typically at a substantial distance above the surface (e.g., floor) supporting the chair.

DATE: MAY 1, 2017

PROJECT RP0074

## A47D3/00 (modified)

**Children's tables {(school desks or tables A47B41/00; school forms A47B39/00)}**

### Definition statement

DELETE: Existing Definition Statement including table

ADD: Children's tables if not provided in other part of the classification

ADD: References section, with Limiting and Informative references as indicated below

### References

#### Limiting references

*This place does not cover:*

School forms; Benches or forms combined with desks	<a href="#">A47B39/00</a>
School desks or tables	<a href="#">A47B41/00</a>

#### Informative references

*Attention is drawn to the following places, which may be of interest for search:*

Dressing-tables	<a href="#">A47D5/00</a>
Children's chairs convertible into tables	<a href="#">A47D11/002</a>

## A47D 3/001

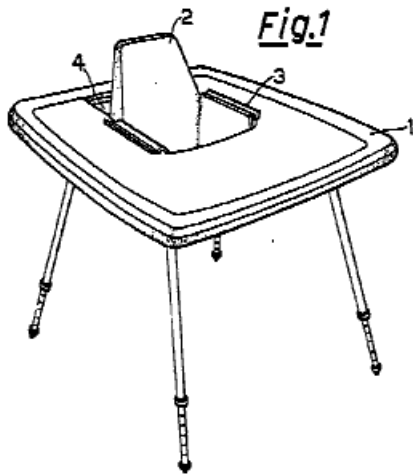
{surrounding the seat}

### Definition statement

*This place covers:*

Subject matter including a table that surrounds a seat attached to the table.

Illustrative example of subject matter classified in A47B 3/001:  
GB1077198 fig. 1



CPC NOTICE OF CHANGES 401

DATE: MAY 1, 2017

PROJECT RP0074

3. REVISION CONCORDANCE LIST (RCL)

<u>Type*</u>	<u>From CPC Symbol (existing)</u>	<u>To CPC Symbol(s)</u>
C	A47D 1/008	A47D 1/008 A47D 1/0081 A47D 1/0083 A47D 1/0085
C	A47D 1/02	A47D 1/02 A47D 1/023
C	A47D 3/00	A47D 3/00 A47D 3/001

\* C = entries with modified file scope where reclassification of documents from the entries is involved; Q = new entries which are firstly populated with documents via administrative transfers from deleted (D) entries. Afterwards, the transferred documents into the Q entry will either stay or be moved to more appropriate entries, as determined by intellectual reclassification; D = deleted entries.

NOTES:

- Only C, D, F and Q type entries are included in the table above.
- When multiple symbols are included in the “To” column, avoid using ranges of symbols in order to be as precise as possible.
- For administrative transfer of documents, the following text should be used: “< administrative transfer to XX>” or “<administrative transfer to XX and YY simultaneously>” when administrative transfer of the same documents is to more than one place.
- Administrative transfer to main trunk groups is assumed to be “invention information”, unless otherwise indicated, and to 2000 series groups is assumed to be “additional information”.

CPC NOTICE OF CHANGES 401

DATE: MAY 1, 2017

PROJECT RP0074

4. CHANGES TO THE CPC-TO-IPC CONCORDANCE LIST (CICL)

<u>CPC</u>	<u>IPC</u>	<u>Action*</u>
A47D 1/0081	A47D 1/00	NEW
A47D 1/0083	A47D 1/00	NEW
A47D 1/0085	A47D 1/00	NEW
A47D 1/023	A47D 1/02	NEW
A47D 3/001	A47D 3/00	NEW

\*Action column:

- For an (N) or (Q) entry, provide an IPC symbol and complete the Action column with “NEW.”
- For an existing CPC main trunk entry or indexing entry where the existing IPC symbol needs to be changed, provide an updated IPC symbol and complete the Action column with “UPDATED.”
- For a (D) CPC entry or indexing entry complete the Action column with “DELETE.” IPC symbol does not need to be included in the IPC column.
- For an (N) 2000 series CPC entry which is positioned within the main trunk scheme (breakdown code) provide an IPC symbol and complete the action column with “NEW”.
- For an (N) 2000 series CPC entry positioned at the end of the CPC scheme (orthogonal code), with no IPC equivalent, complete the IPC column with “CPCONLY” and complete the action column with “NEW”.

NOTES:

- F symbols are not included in the CICL table above.
- E and M symbols are not included in the CICL table above unless a change to the existing IPC is desired.