

EUROPEAN PATENT OFFICE  
U.S. PATENT AND TRADEMARK OFFICE

CPC NOTICE OF CHANGES 499

DATE: MAY 1, 2018

PROJECT RP0438

**The following classification changes will be effected by this Notice of Changes:**

<u>Action</u>	<u>Subclass</u>	<u>Group(s)</u>
<b>SCHEME:</b>		
Titles Changed:	F41B	11/71
Warnings New:	F41B	11/57
	F41B	11/71
Warnings Modified:	F41B	subclass
<b>DEFINITIONS:</b>		
Definitions New:		
	F41B	11/53
	F41B	11/57
	F41B	11/60
	F41B	11/682
	F41B	11/721
	F41B	11/722
	F41B	11/723
	F41B	11/724
	F41B	11/80
	F41B	11/85
	F41B	11/87
Definitions Modified:	F41B	subclass
	F41B	11/00
	F41B	11/50
	F41B	11/51
	F41B	11/52
	F41B	11/54
	F41B	11/55
	F41B	11/56
	F41B	11/62
	F41B	11/64
	F41B	11/641
	F41B	11/642
	F41B	11/643
	F41B	11/644
	F41B	11/645
	F41B	11/646
	F41B	11/647
	F41B	11/648
	F41B	11/66
	F41B	11/68

CPC NOTICE OF CHANGES 499

DATE: MAY 1, 2018

PROJECT RP0438

<u>Action</u>	<u>Subclass</u>	<u>Group(s)</u>
	F41B	11/681
	F41B	11/683
	F41B	11/73
	F41B	11/81
	F41B	11/83
	F41B	11/89

**No other subclasses/groups are impacted by this Notice of Changes.**

1. CLASSIFICATION SCHEME CHANGES

- A. New, Modified or Deleted Group(s)
- B. New, Modified or Deleted Warning(s)
- C. New, Modified or Deleted Note(s)
- D. New, Modified or Deleted Guidance Heading(s)

2. DEFINITIONS

- A. New or Modified Definitions (Full definition template)
- B. Modified or Deleted Definitions (Definitions Quick Fix)

- 3.  REVISION CONCORDANCE LIST (RCL)
- 4.  CHANGES TO THE CPC-TO-IPC CONCORDANCE LIST (CICL)
- 5.  CHANGES TO THE CROSS-REFERENCE LIST (CRL)

CPC NOTICE OF CHANGES 499

DATE: MAY 1, 2018

PROJECT RP0438

1. CLASSIFICATION SCHEME CHANGES

A. New, Modified or Deleted Group(s)

**SUBCLASS F41B - WEAPONS FOR PROJECTING MISSILES WITHOUT USE OF EXPLOSIVE OR COMBUSTIBLE PROPELLANT CHARGE; WEAPONS NOT OTHERWISE PROVIDED FOR (projectiles for fishing, e.g. fish-spears, A01K 81/00; sports implements for throwing A63B 65/00, e.g. boomerangs A63B 65/08; stationary apparatus for projecting sports balls, e.g. tennis balls, A63B 69/40; throwing or slinging toys A63H 33/18; knives, axes B26B; projectiles or missiles other than those incorporating springs as projecting means F42B 6/00)**

<u>Type*</u>	<u>Symbol</u>	<u>Indent Level Number of dots (e.g. 0, 1, 2)</u>	<u>Title (new or modified)</u> <u>“CPC only” text should normally be enclosed in {curly brackets}**</u>	<u>Transferred to<sup>#</sup></u>
C	F41B 11/57	2	Electronic or electric systems for feeding or loading (F41B 11/53 takes precedence)	F41B 11/57, F41B 11/71
E	F41B 11/71	2	Electric or electronic control systems, e.g. for safety purposes	

\*N = new entries where reclassification into entries is involved; C = entries with modified file scope where reclassification of documents from the entries is involved; Q = new entries which are firstly populated with documents via administrative transfers from deleted (D) entries. Afterwards, the transferred documents into the Q entry will either stay or be moved to more appropriate entries, as determined by intellectual reclassification; E= existing entries with enlarged file scope, which receive documents from C or D entries, e.g. when a limiting reference is removed from the entry title; M = entries with no change to the file scope (no reclassification); D = deleted entries; F = frozen entries will be deleted once reclassification of documents from the entries is completed; U = entries that are unchanged.

NOTES:

- \*\*No {curly brackets} are used for titles in CPC only subclasses, e.g. C12Y, A23Y; 2000 series symbol titles of groups found at the end of schemes (orthogonal codes); or the Y section titles. The {curly brackets} are used for 2000 series symbol titles found interspersed throughout the main trunk schemes (breakdown codes).
- For U groups, the minimum requirement is to include the U group located immediately prior to the N group or N group array, in order to show the N group hierarchy and improve the readability and understanding of the scheme. Always include the symbol, indent level and title of the U group in the table above.
- All entry types should be included in the scheme changes table above for better understanding of the overall scheme change picture. Symbol, indent level, and title are required for all types except “D” which requires only a symbol.
- #“Transferred to” column must be completed for all C, D, F, and Q type entries. F groups will be deleted once reclassification is completed.
- When multiple symbols are included in the “Transferred to” column, avoid using ranges of symbols in order to be as precise as possible.
- For administrative transfer of documents, the following text should be used: “< administrative transfer to XX>” or “<administrative transfer to XX and YY simultaneously>” when administrative transfer of the same documents is to more than one place.
- Administrative transfer to main trunk groups is assumed to be “invention information”, unless otherwise indicated, and to 2000 series groups is assumed to be “additional information”.

CPC NOTICE OF CHANGES 499

DATE: MAY 1, 2018

PROJECT RP0438

B. New, Modified or Deleted Warning notice(s)

**SUBCLASS F41B - WEAPONS FOR PROJECTING MISSILES WITHOUT USE OF EXPLOSIVE OR COMBUSTIBLE PROPELLANT CHARGE; WEAPONS NOT OTHERWISE PROVIDED FOR (projectiles for fishing, e.g. fish-spears, A01K 81/00; sports implements for throwing A63B 65/00, e.g. boomerangs A63B 65/08; stationary apparatus for projecting sports balls, e.g. tennis balls, A63B 69/40; throwing or slinging toys A63H 33/18; knives, axes B26B; projectiles or missiles other than those incorporating springs as projecting means F42B 6/00)**

<u>Type*</u>	<u>Location</u>	<u>Old Warning notice</u>	<u>New/Modified Warning notice</u>
N	F41B 11/57		Group F41B 11/57 is impacted by reclassification into group F41B 11/71. Groups F41B 11/57 and F41B 11/71 should be considered in order to perform a complete search.
N	F41B 11/71		Group F41B 11/71 is incomplete pending reclassification of documents from groups F41B 11/57 Groups F41B 11/57 and F41B 11/71 should be considered in order to perform a complete search.
M	F41B	The following IPC groups are not used in the CPC scheme. Subject matter covered by these groups is classified in the following CPC groups:  F41B 5/16 covered by F41B 5/18 covered by F41B 5/20 covered by F41B 5/22 covered by	The following IPC groups are not used in the CPC scheme. Subject matter covered by these groups is classified in the following CPC groups:  F41B 5/16 covered by F41B5/1473 F41B 5/18 covered by F41B5/1469 F41B 5/20 covered by F41B5/1426 F41B 5/22 covered by F41B5/143

NOTE: The "Location" column only requires the symbol PRIOR to the location of the warning. No further directions such as "before" or "after"

## 2. A. DEFINITIONS (New)

Insert the following new definitions.

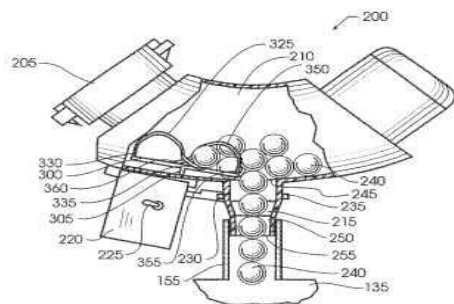
### F41B 11/53

#### Definition statement

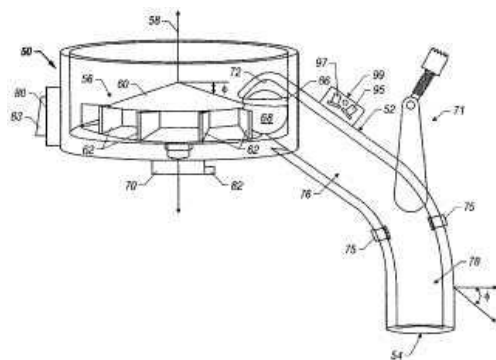
*This place covers:*

The hopper contains secondary means to assist the gravity powered feeding of the projectiles, such as:

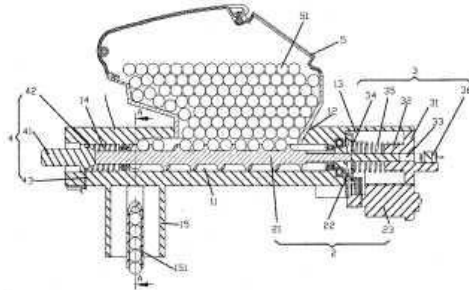
- An agitator to avoid/release jams at the exit opening of the hopper



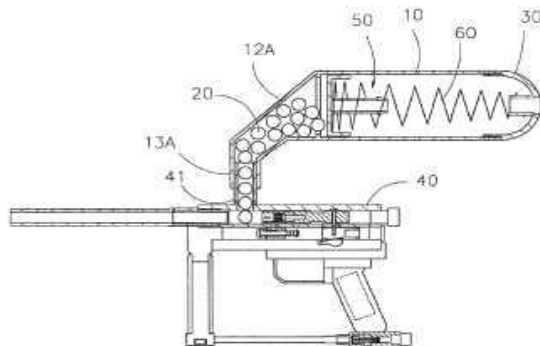
- A rotor-type device force-feeding the projectiles through the exit opening of the hopper



- A screw-type conveyor force-feeding the projectiles through the exit opening of the hopper



- Linear pusher force-feeding the projectiles through the exit opening of the hopper



## F41B 11/57

### Definition statement

*This place covers:*

Electric systems for powering of motors for the active force feeding or loading of the projectiles, except for the hoppers having motorised agitation and/or feed assisting means (precedence of [F41B11/53](#)).

Electronic systems for the control of active force feeding or loading systems, except for the hoppers having motorised agitation and/or feed assisting means (precedence of [F41B11/53](#)).

DATE: MAY 1, 2018

PROJECT RP0438

## References

### Limiting references

*This place does not cover:*

for controlling motorised feed assisting means associated with the projectile magazine
--

<a href="#">F41B 11/53</a>
----------------------------

### Informative references

*Attention is drawn to the following places, which may be of interest for search:*

Electronic safeties for compressed-gas guns
---

<a href="#">F41B11/71</a>
---------------------------

## F41B11/60

### Definition statement

*This place covers:*

Residual group including compressed-gas guns with particular means for supplying compressed gas which are not covered in any of the groups [F41B11/62](#) – [F41B11/684](#).

## F41B 11/682

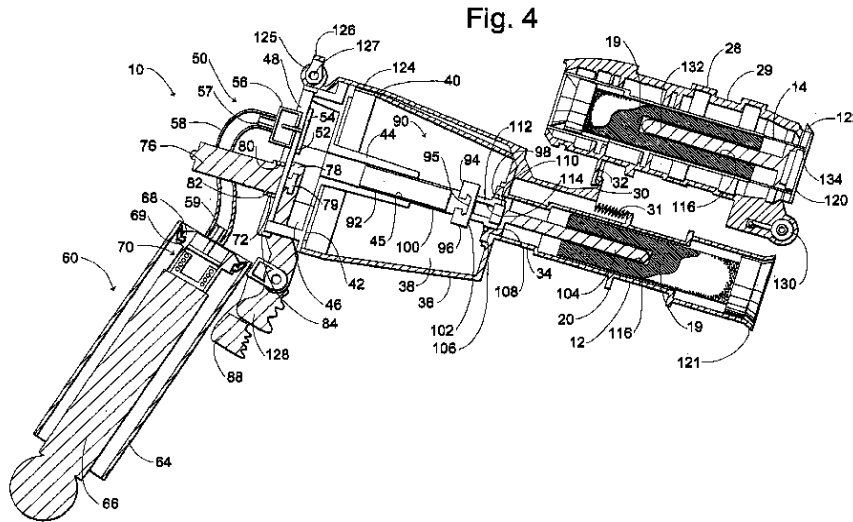
### Definition statement

*This place covers:*

Air guns with integral or permanently attached pressure accumulation tanks for storing the atmospheric air compressed by a pump or compressor. This group contains documents wherein the teaching is specifically aimed at the particular shape/arrangement/configuration/material of the pressure accumulation tank per se.

DATE: MAY 1, 2018

PROJECT RP0438



## References

### Informative references

*Attention is drawn to the following places, which may be of interest for search:*

Exchangeable or refillable gas cartridges for use in air guns	F41B 11/62
---	------------

### Special rules of classification

Every single air gun classified in the groups F41B11/68 and below will inherently comprise a pressure accumulation tank. Classification will be given in this group only, if the tank as such is specially adapted or relevant for the invention.

Lever-action guns per se	F41C 7/06
--------------------------	-----------

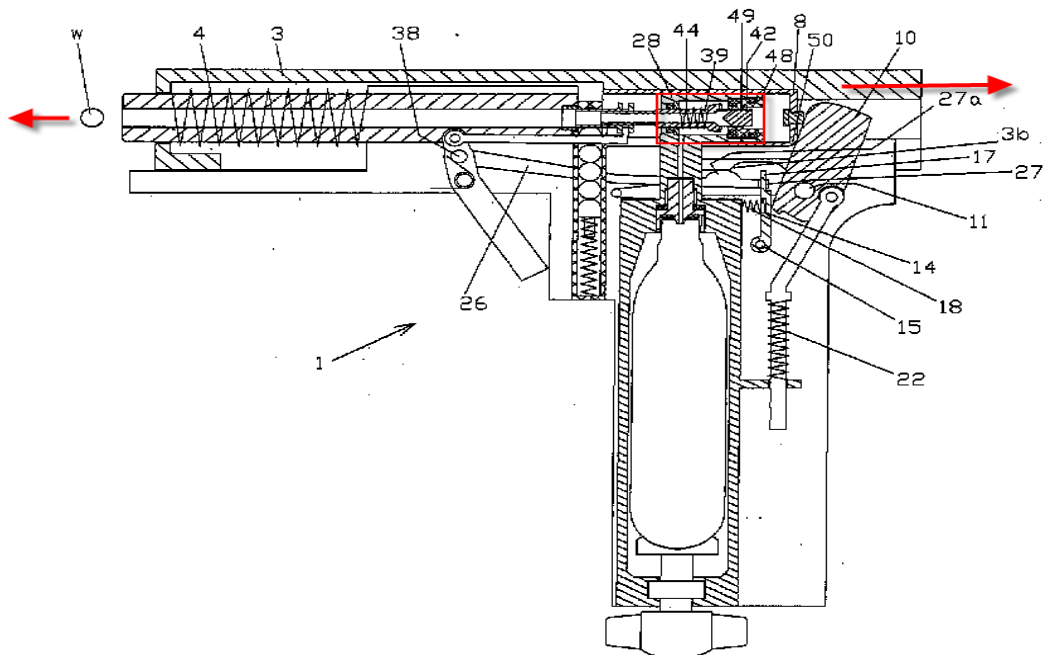


## F41B 11/721

### Definition statement

*This place covers:*

Compressed gas gun comprising a single valve performing the dual function of firing the projectile and feeding or loading the consecutive projectile in a (semi-)automatic compressed gas gun.

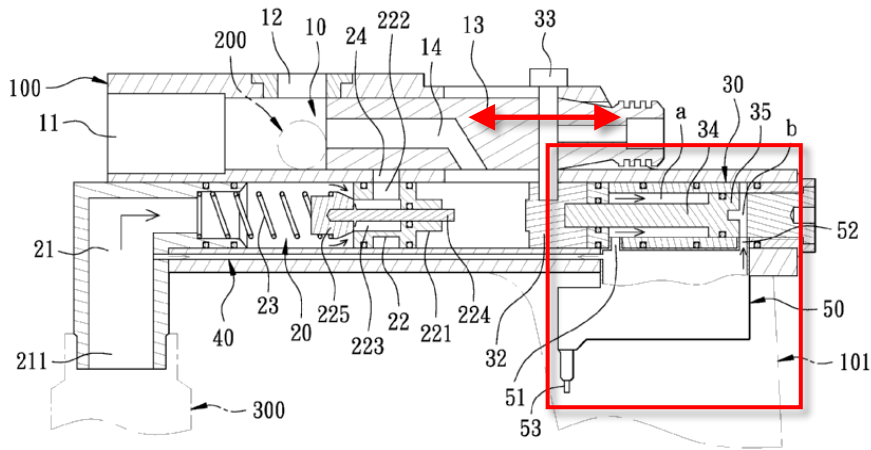


## F41B11/722

### Definition statement

*This place covers:*

A valve in a compressed gas gun, the valve being a dedicated valve for performing the function of feeding or loading of the consecutive projectile in a (semi-)automatic compressed gas gun.

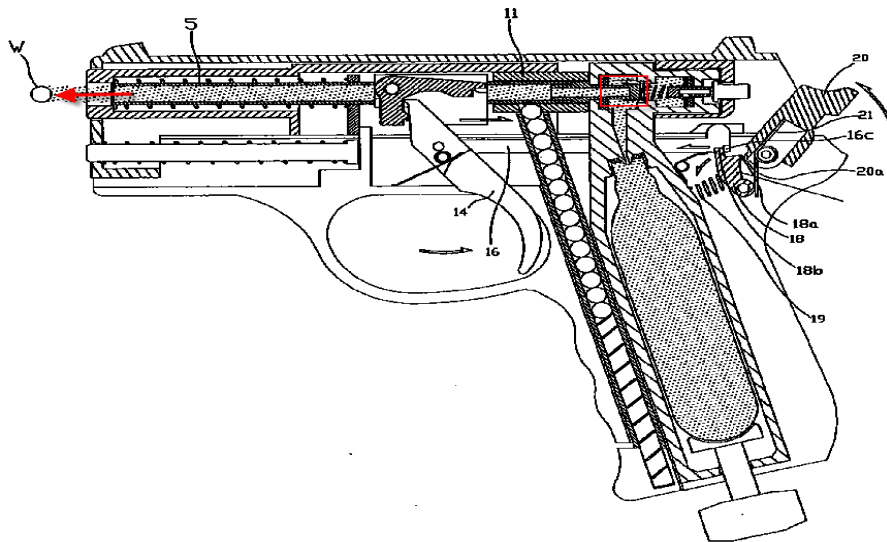


## F41B 11/723

### Definition statement

*This place covers:*

A valve in a compressed gas gun, the valve being a valve specifically dedicated for performing the function of firing the projectile.



DATE: MAY 1, 2018

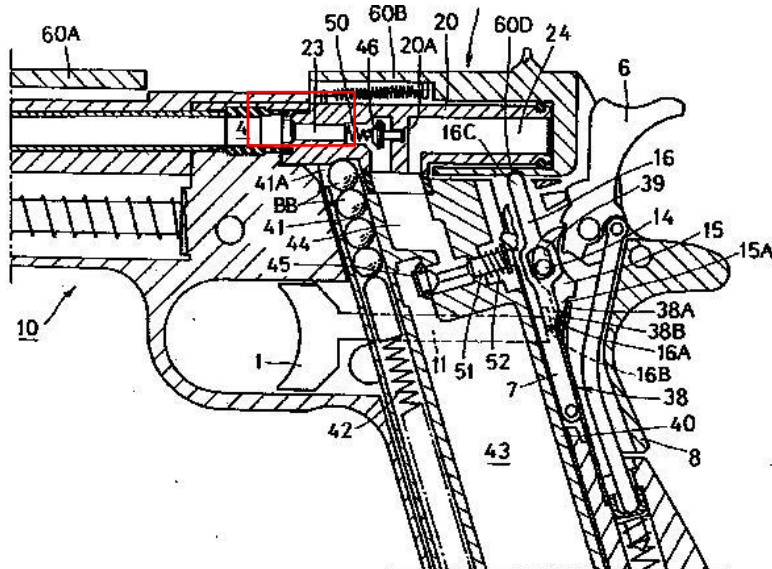
PROJECT RP0438

## F41B11/724

### Definition statement

*This place covers:*

A valve in a compressed air gun situated on the pneumatic path between the over-pressurised compressed gas source, i.e. accumulation tank, gas cartridge, piston-cylinder, and the firing chamber reducing the pressure to a predefined pressure. The aim is to achieve pressure regulation for reliably ensuring constant fire power, to reduce the firing power to levels accepted under national laws or to levels corresponding to competition regulations.



## F41B11/80

### Definition statement

*This place covers:*

Residual group including compressed-gas guns for particular purposes not covered by [F41B11/81](#) – [F41B11/89](#).

DATE: MAY 1, 2018

PROJECT RP0438

## F41B 11/85

### Definition statement

*This place covers:*

Compressed gas guns specifically designed for the intended use as a launcher for hypodermic projectiles, e.g.:

- projectiles used in the veterinary field for delivering medication to an animal from a distance.

### References

#### Informative references

*Attention is drawn to the following places, which may be of interest for search:*

Hypodermic projectiles	<a href="#">F42B 12/54</a>
Electrical discharge weapons, e.g. for stunning, such as tasers	<a href="#">F41H 13/0012</a>

### Special rules of classification

This group being a pure application related group, any document classified here must also be classified in one of the groups defining the compressed gas gun by its structure or function.

## F41B 11/87

### Definition statement

*This place covers:*

Compressed gas guns specifically designed for the intended use in industry, e.g. for cleaning/descaling of ovens, furnaces, kilns or pipes where burning residues or slag is removed by impacting it with projectiles propelled by pneumatic launchers.

DATE: MAY 1, 2018

PROJECT RP0438

## References

### Informative references

*Attention is drawn to the following places, which may be of interest for search:*

Hand-held nailing tools operated by fluid pressure	<a href="#">B25C 1/04</a>
--	---------------------------

### Special rules of classification

This group being a pure application related group, any document classified here must also be classified in one of the groups defining the compressed gas gun by its structure or function.

## 2. A. DEFINITIONS (Modified)

### F41B 11/50

#### Definition statement

Delete: The existing Definition statement paragraph.

Containers for holding a plurality of missiles to be projected by a compressed gas gun, i.e. magazines. Devices or mechanisms for sequentially bringing such missiles from an external magazine into the gun frame/casing/housing/receiver, i. e. feeding arrangements. Devices or mechanisms for sequentially bringing such missiles into the position inside the compressed gas gun ready to be projected ("firing" chamber), i.e. loading arrangements.

Insert: The following three replacement Definition statement paragraphs followed by three separate headings and images.

Containers for holding a plurality of missiles to be projected by a compressed gas gun, i.e. magazines.

Devices or mechanisms for sequentially bringing such missiles from an external magazine into the gun frame/casing/housing/receiver, i.e. feeding arrangements.

Devices or mechanisms for sequentially bringing such missiles into the position inside the compressed gas gun ready to be projected ("firing" chamber), i.e. loading arrangements.



DATE: MAY 1, 2018

PROJECT RP0438

## Limiting references

Delete: The entire existing Limiting references section – heading, text, and table.

### *Limiting references*

*This place does not cover:*

Electronic or electric systems in air guns, e.g. for safety purposes, for feeding or loading	F41B11/00E
--	------------

## F41B 11/51

### Definition statement

Delete: The existing Definition statement.

Magazines integrally formed with the gun, i.e. the magazine is not removable. The missiles to be projected by the compressed gas gun are inserted and stored directly in a space/cavity formed in the gun.

Insert: The following two paragraphs followed by two new images.

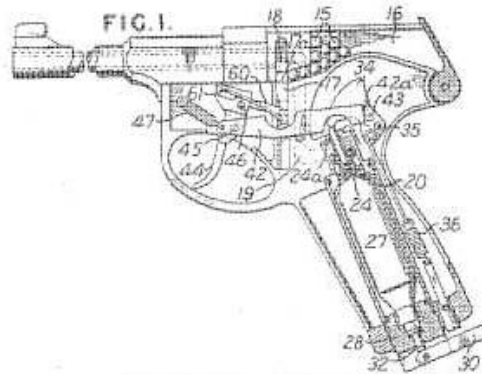
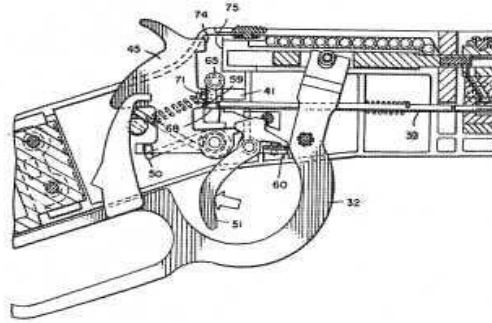
Magazines integrally formed with the gun, i.e. the magazine is not removable.

The missiles to be projected by the compressed gas gun are inserted and stored directly in a space/cavity formed in the gun.



DATE: MAY 1, 2018

PROJECT RP0438



## F41B 11/52

### Definition statement

Delete: The entire existing Definition statement.

Insert: The following replacement Definition statement and new image.

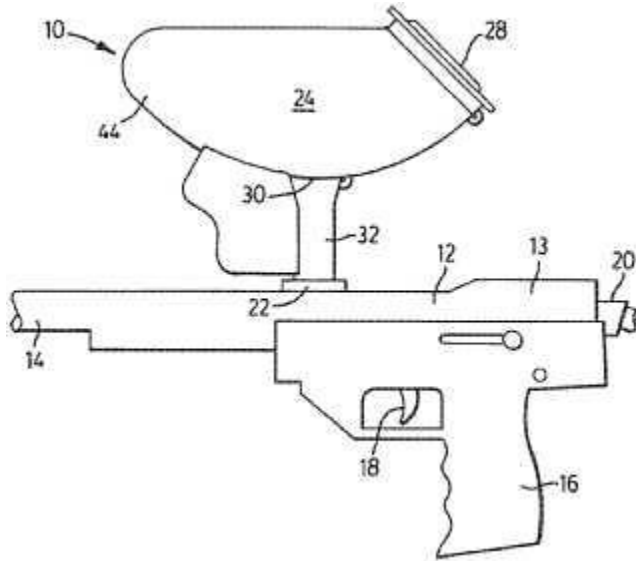
Magazines holding projectiles in a removable magazine above the gun housing which implies the following:

- the projectiles will be fed primarily by gravity;

DATE: MAY 1, 2018

PROJECT RP0438

- the projectiles are spherical so that there is no need for orienting the projectiles in a specific way for feeding or loading.



## F41B 11/54

### Definition statement

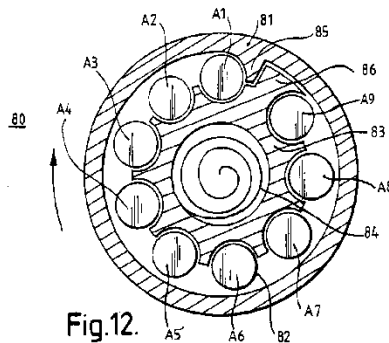
Delete: The entire existing Definition statement.

The projectiles are stored in an ordered fashion, i.e. the order in which the projectiles will be discharged is pre-defined. Drum magazines can be in any of the known types, e.g.: - Stationary drum, the projectiles being force fed out of the drum by a spring/motor, the projectiles being arranged around the periphery of the drum. - Stationary drum, the projectiles being force fed out of the drum by a spring/motor, the projectiles being arranged in a spiralling fashion. - Revolver type drum, the drum rotating incrementally, the rotation being indexed so as to position the projectile to be fired in alignment with the firing chamber

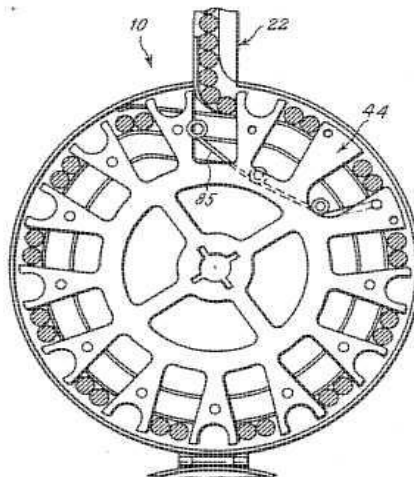
Insert: The following new Definition statement and three new images.

The projectiles are stored in an ordered fashion, i.e. the order in which the projectiles will be discharged is pre-defined. Drum magazines can be in any of the known types, for example:

- Stationary drum, the projectiles being force fed out of the drum by a spring/motor, the projectiles being arranged around the periphery of the drum.



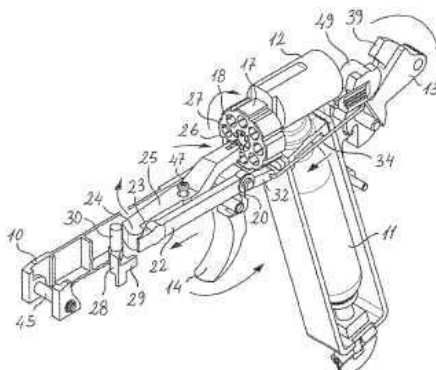
- Stationary drum, the projectiles being force fed out of the drum by a spring/motor, the projectiles being arranged in a spiralling fashion.



DATE: MAY 1, 2018

PROJECT RP0438

Revolver type drum, the drum rotating incrementally, the rotation being indexed so as to position the projectile to be fired in alignment with the firing chamber.

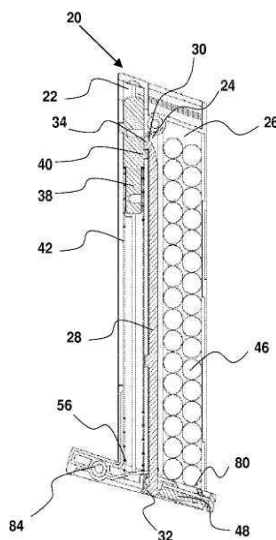


## F41B 11/55

### Definition statement

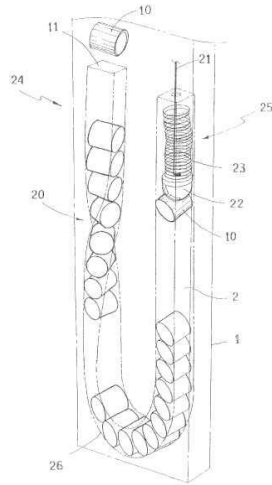
Insert: The following two new headings and three images under the existing paragraph in the Definition statement section.

- Box magazines

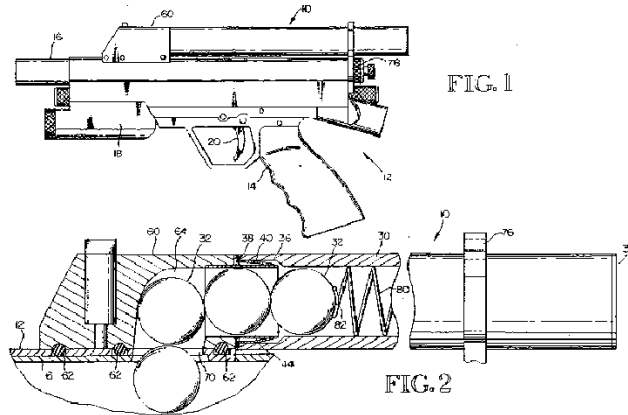


DATE: MAY 1, 2018

PROJECT RP0438



- Tubular magazine



## Limiting references

Delete: The entire Limiting references section.

### Limiting references

*This place does not cover.*

Magazines formed integrally in the gun at the position where the box magazine of a firearm would be
---

F41B 11/51
------------

## Informative references

Insert: The following new row in the existing Informative references table.

Magazines formed integrally in the gun	F41B 11/51
--	------------

## F41B 11/56

### Definition statement

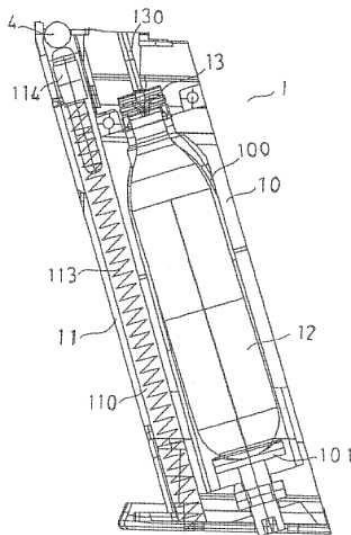
Delete: The existing Definition statement paragraph.

The removable magazine carrying the projectiles also carries a exchangeable or refillable pressurized cartridge such as a CO<sub>2</sub> cartridge, usually for soft-air guns.

Insert: The following replacement paragraph.

The removable magazine carrying the projectiles also carries an exchangeable or refillable pressurised cartridge such as a CO<sub>2</sub> cartridge, usually for soft-air guns.

Insert: The following new image under the Definition statement paragraph.



DATE: MAY 1, 2018

PROJECT RP0438

Insert: The following new Informative references section.

## References

### Informative references

*Attention is drawn to the following places, which may be of interest for search:*

Magazines formed integrally in the gun adjacent to a space for a gas cartridge
--

F41B 11/51
------------

## F41B 11/62

### Definition statement

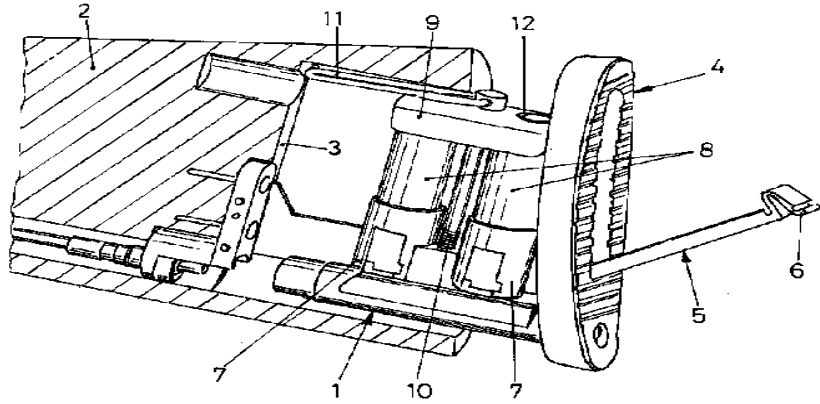
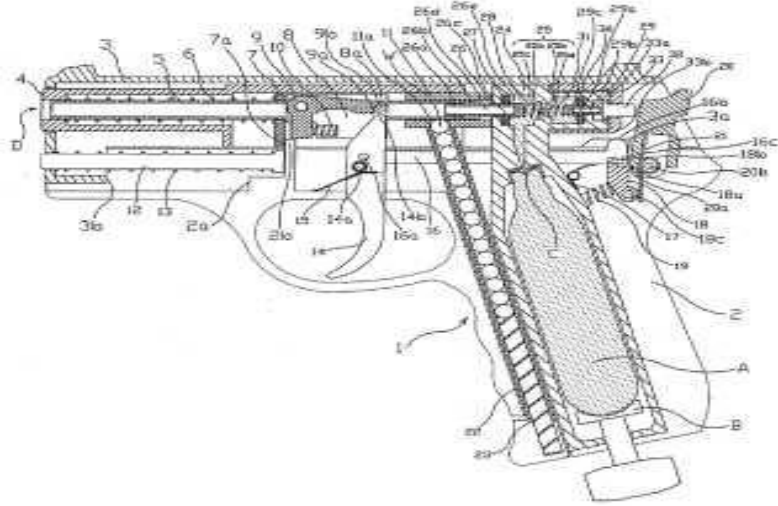
Delete: The existing Definition statement.

Compressed gas guns, wherein the pre-compressed gas is stored in an exchangeable/refillable gas cartridge, which can be housed either inside the gun body (housing, hand grip, magazine or stock) or alternatively in a gas reservoir which is connectable by a gas tight connection to the pneumatic components of gun body, the gun reservoir being either mounted on the gun or carried by the shooter.

Insert: The following new Definition statement followed by two headings and two images under each heading.

Compressed gas guns, wherein the pre-compressed gas is stored in an exchangeable/refillable gas cartridge, which can be housed either:

- Inside the gun body (housing, hand grip, magazine or stock)



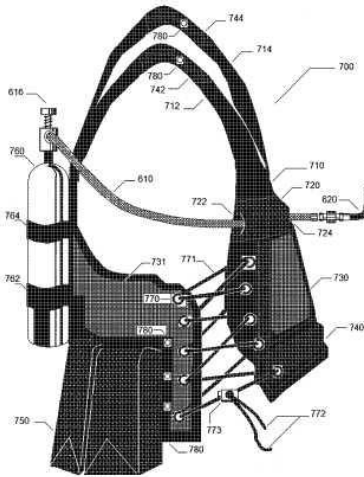
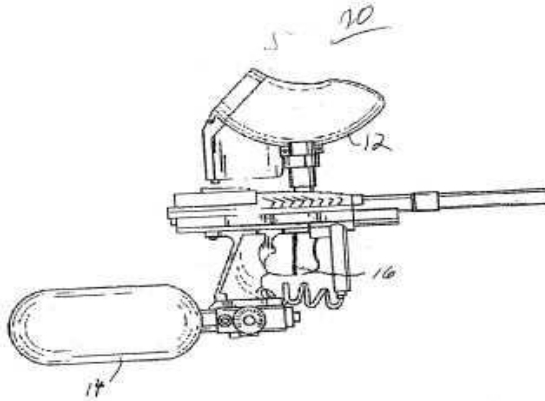


CPC NOTICE OF CHANGES 499

DATE: MAY 1, 2018

PROJECT RP0438

- Or alternatively in a gas reservoir which is connectable by a gas tight connection to the pneumatic components of gun body, the gun reservoir being either mounted on the gun or carried by the shooter



DATE: MAY 1, 2018

PROJECT RP0438

## Limiting references

Delete: The entire existing Limiting references section.

### **Limiting references**

*This place does not cover:*

Air guns adapted to discharge harpoons	F41B11/08
Arrangement of valves in, or valves specially adapted for, air guns	F41B11/32

Insert: The following new Informative references section.

### **Informative references**

*Attention is drawn to the following places, which may be of interest for search:*

Valves or valve arrangements for regulating gas pressures for loading, feeding or firing the projectile	F41B11/72
---	-----------

## **F41B 11/64**

### **Definition statement**

Delete: The last sentence in the existing Definition statement paragraph.

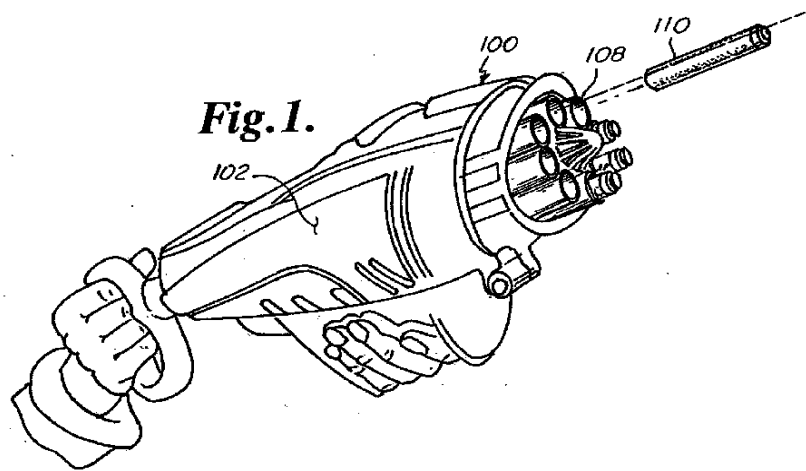
The piston is either hand operated or spring operated

Insert: The following sentence as the replacement last sentence in the Definition statement paragraph.

The piston is either:

Insert: The following two headings and two images under the Definition statement paragraph (as shown below).

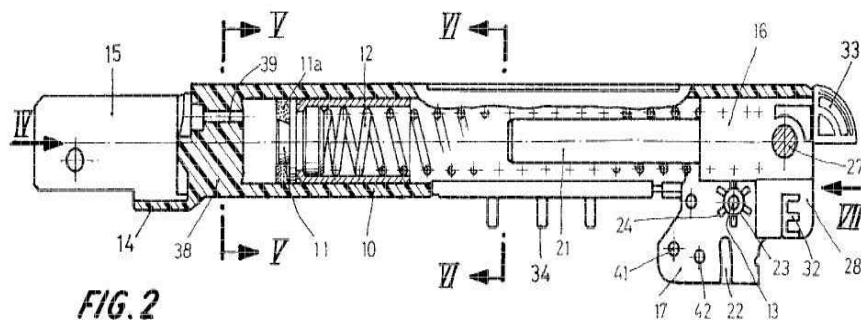
- hand operated or



DATE: MAY 1, 2018

PROJECT RP0438

- spring operated



Insert: The following new Relationships with other classification places section.

### Relationships with other classification places statement

The airguns classified in group [F41B11/64](#) (and its subgroups) and in group [F41B11/68](#) (and its subgroups) are structurally very similar to each other, always comprising an air piston, means for actuating said piston to compress the air, valve arrangements and triggering means.

The classification criteria are the following:

- If the compressor stroke is effected at the moment of firing — then [F41B11/64](#).
- If the compressor stroke is effected before firing and the gas is stored in a compression chamber or accumulation tank — then [F41B11/68](#).
- If the trigger activates the compressor arrangement — then [F41B11/64](#).
- If the trigger activates the opening of the discharge valve — then [F41B11/68](#).

DATE: MAY 1, 2018

PROJECT RP0438

Delete: The entire existing Limiting references section.

### Limiting references

*This place does not cover.*

The electric driving motor aspects	F41B11/00E
Compressed gas guns with pressure supplied by a gas cartridge	F41B11/06
Compressed gas guns having precompressed air before he firing	F41B11/26
Toys launching a projectile by air pressure	F41B 11/89
Shooting devices for shooting or hurling games	A63F 9/0252

Insert: The following new Informative references section.

### Informative references

*Attention is drawn to the following places, which may be of interest for search:*

Compressed gas guns with pressure supplied by a gas cartridge	<a href="#">F41B11/62</a>
Compressed gas guns having precompressed air before the firing	<a href="#">F41B11/68</a>
Electronic or electric systems, e.g. electric drive motor aspects	<a href="#">F41B11/71</a>
Toys launching a projectile by air pressure	<a href="#">F41B11/89</a>
Shooting devices for shooting or hurling games	<a href="#">A63F9/0252</a>

DATE: MAY 1, 2018

PROJECT RP0438

Delete: The entire existing Special rules section.

The airguns in F41B11/12 (and its subgroups) and in F41B11/26 (and its subgroups) are structurally very similar to each other, always comprising an air piston, means for actuating said piston to compress the air, valve arrangements and triggering means.

The classification criteria are the following:

IF the compressor stroke is effected at the moment of firing  
THEN F41B11/12

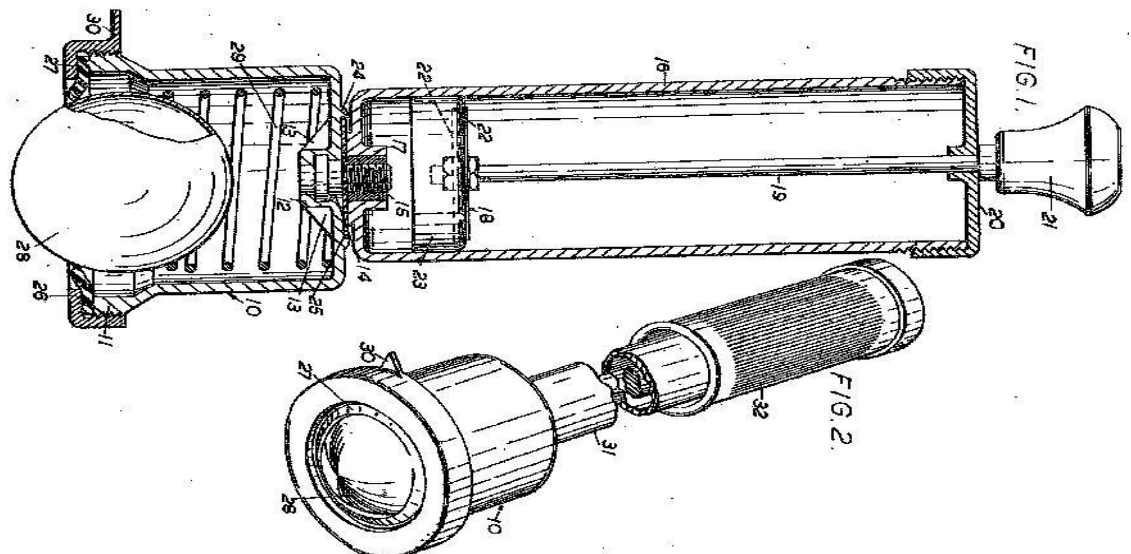
IF the compressor stroke is effected before firing and the gas is stored  
in a compression chamber or accumulation tank THEN F41B11/26

IF the trigger activates the compressor arrangement THEN F41B11/12.

## F41B 11/641

### Definition statement

Insert: The following new image under the Definition statement paragraph.



## Limiting references

Delete: From the row in the Limiting references table, the following invalid symbol.

F41B11/28

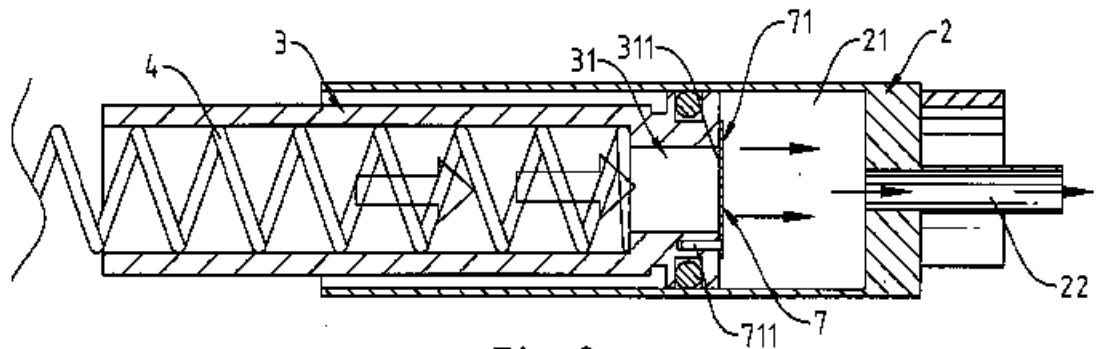
Insert: In the Limiting references table, the following replacement symbol.

F41B11/681

## F41B 11/642

### Definition statement

Insert: The following new image under the existing Definition statement paragraph.



## F41B 11/643

### Definition statement

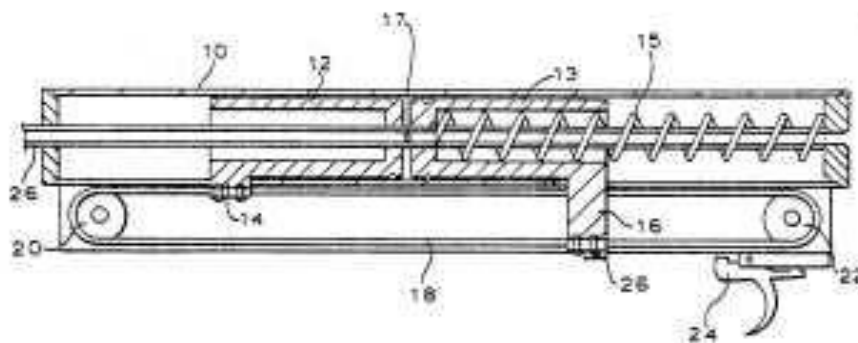
Insert: The following new image under the existing Definition statement paragraph.



## F41B 11/644

### Definition statement

Insert: The following new image under the existing Definition statement paragraph.

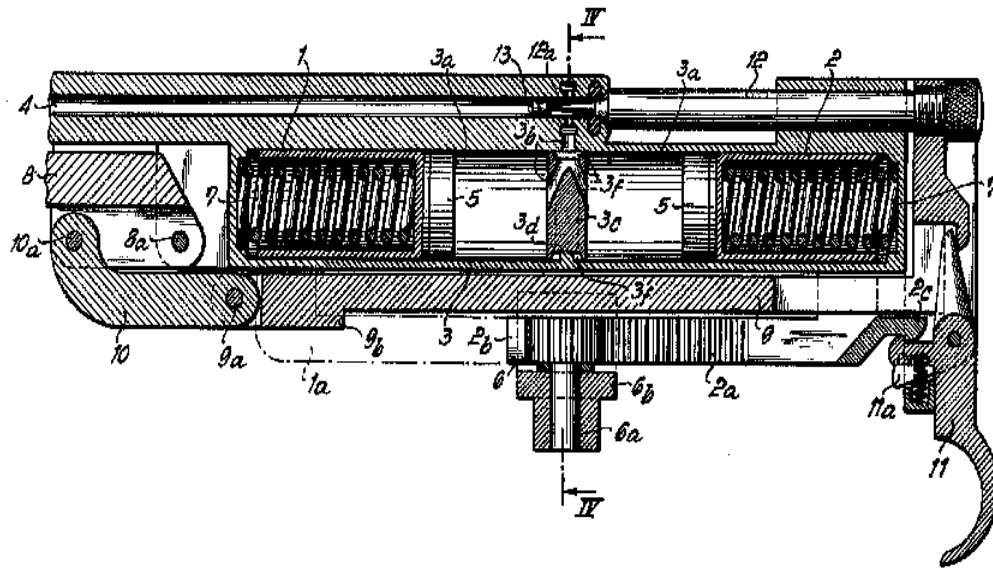




## F41B 11/645

### Definition statement

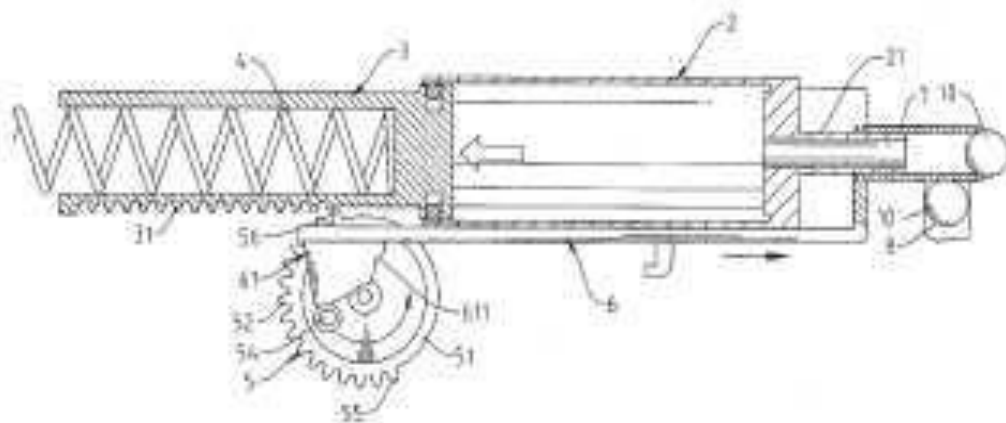
Insert: The following new image under the existing Definition statement paragraph.

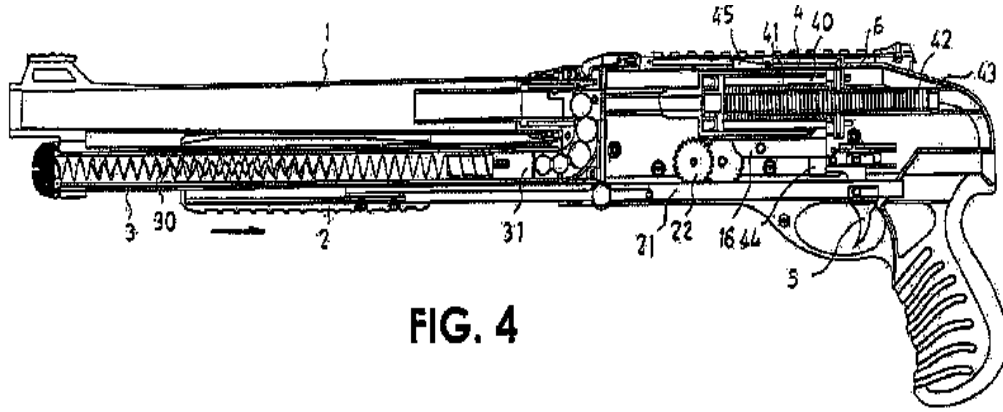


## F41B 11/646

### Definition statement

Insert: The following two new images under the existing Definition statement paragraph.





**FIG. 4**

Delete: The entire existing Limiting references section.

**Limiting references**

*This place does not cover.*

Pumping arrangements for pre-compressing air for storing it in a pressurised air storage tank	F41B11/28
---	-----------

**Informative references**

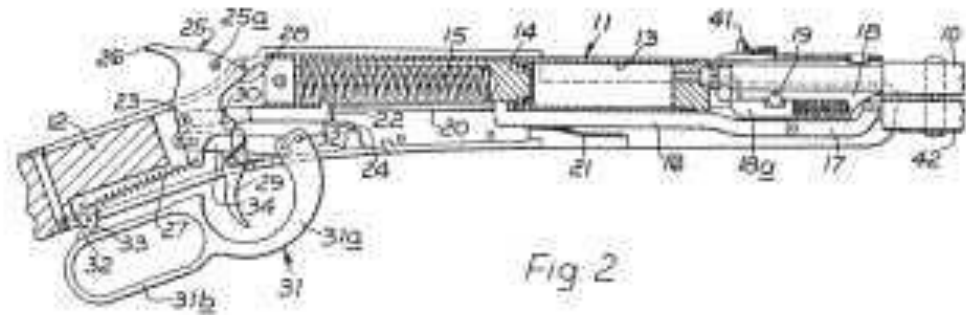
Insert: In the existing Informative references table, the following new row.

Pumping arrangements for pre-compressing air for storing it in a pressurised air storage tank	F41B11/681
---	------------

## F41B 11/647

### Definition statement

Insert: The following new image under the existing Definition statement paragraph.



Delete: The entire existing Limiting references section.

### Limiting references

*This place does not cover:*

Rocking-lever activated pumping arrangements for pre-compressing air for storing it in a pressurised air storage tank	F41B 11/30
---	------------

### Informative references

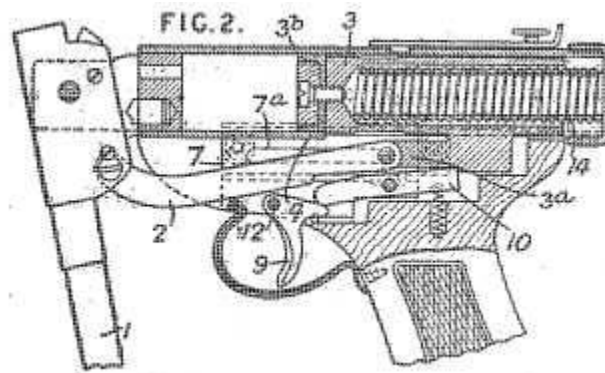
Insert: In the existing Informative references table, the following new row.

Rocker lever activated pumping arrangements for pre-compressing air for storing it in a pressurised air storage tank	F41B 11/683
--	-------------

## F41B 11/648

### Definition statement

Insert: The following new image under the existing Definition statement paragraph.



Delete: The entire existing Limiting references section.

### Limiting References

*This place does not cover.*

Breakdown mechanism for cocking a spring in a spring operated piston airgun	F41B11/22
---	-----------

### Informative references

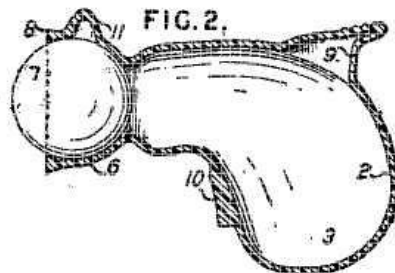
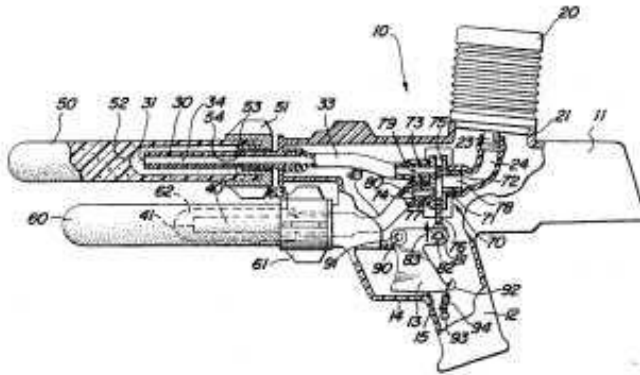
Insert: In the existing Informative references table, the following new row.

Breakdown activated pumping arrangements for pre-compressing air for storing it into a pressurised air storage tank	F41B 11/684
---	-------------

## F41B 11/66

### Definition statement

Insert: The following two new images under the existing Definition statement paragraph.



Delete: The entire existing Limiting references section.

### Limiting References

*This place does not cover.*

Bellow or bulb activated pumping arrangements for pre-compressing air for storing it into a pressurised air storage tank

F41B11/28

### Informative references

Insert: The following new row in the existing Informative references table.

Bellow or bulb activated pumping arrangements for pre-compressing air for storing it into a pressurised air storage tank	F41B11/681
--	------------

### F41B 11/68

#### Definition statement

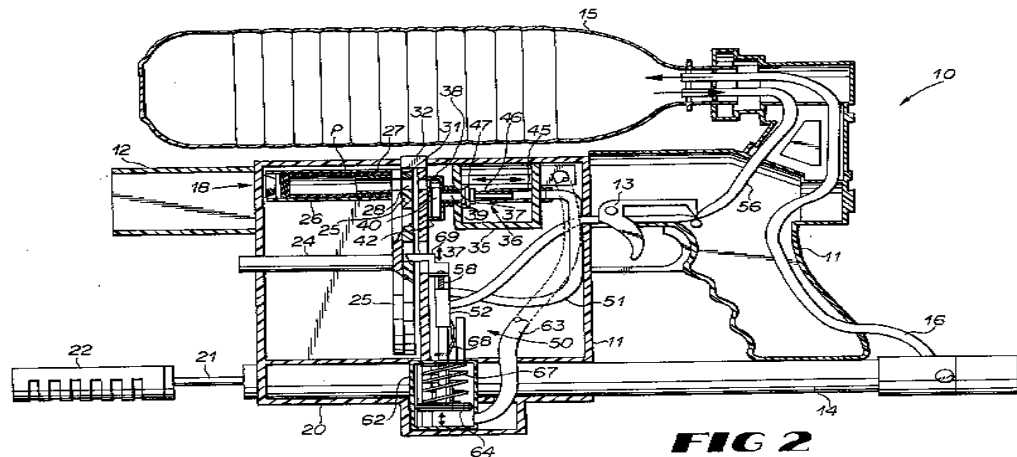
Delete: The following invalid symbol from the existing Definition statement paragraph.

F41B11/06

Insert: The following replacement symbol.

F41B11/62

Insert: The following new image under the Definition statement paragraph.



DATE: MAY 1, 2018

PROJECT RP0438

Insert: The following new Relationships with other classification places section.

**Relationships with other classification places**

The airguns classified in group in [F41B11/64](#) (and its subgroups) and in group [F41B11/68](#) (and its subgroups) are structurally very similar to each other, always comprising an air piston, means for actuating said piston to compress the air, valve arrangements and triggering means. The classification criteria are the following:

- If the compressor stroke is effected at the moment of firing — then [F41B11/64](#).
- If the compressor stroke is effected before firing and the gas is stored in a compression chamber or accumulation tank — then [F41B11/68](#).
- If the trigger activates the compressor arrangement — then [F41B11/64](#).
- If the trigger activates the opening of the discharge valve — then [F41B11/68](#).

**Limiting references**

Insert: The following new row in the Limiting references table.

Compressed gas guns characterised by the supply of compressed gas with pressure supplied by a gas cartridge	<a href="#">F41B 11/62</a>
---	----------------------------

Delete: The following four existing rows in the Limiting references table.

Airguns with pressure supplied by gas cartridge	<a href="#">F41B11/06</a>
Airguns adapted to discharge harpoons	<a href="#">F41B11/08</a>
Airguns having an air piston effecting a compressor stroke during the firing of each shot	<a href="#">F41B11/12</a>
Arrangement of valves in, or valves specially adapted for, air guns	<a href="#">F41B11/32</a>

DATE: MAY 1, 2018

PROJECT RP0438

Insert: The following new Informative references section.

### **Informative references**

*Attention is drawn to the following places, which may be of interest for search:*

Airguns with pressure supplied by gas cartridge	F41B11/62
Airguns adapted to discharge harpoons	F41B11/83
Airguns having an air piston effecting a compressor stroke during the firing of each shot	F41B11/64
Arrangement of valves in, or valves specially adapted for, air guns	F41B11/72

Delete: The entire existing Special rules of classification section.

### **Special rules of classification**

The airguns in F41B11/12 (and its subgroups) and in F41B11/26 (and its subgroups) are structurally very similar to each other, always comprising an air piston, means for actuating said piston to compress the air, valve arrangements and triggering means.

The classification criteria are the following:

IF the compressor stroke is effected at the moment of firing  
THEN F41B11/12

IF the compressor stroke is effected before firing and the gas is stored in a compression chamber or accumulation tank then F41B11/26

IF the trigger activates the compressor arrangement then F41B11/12.

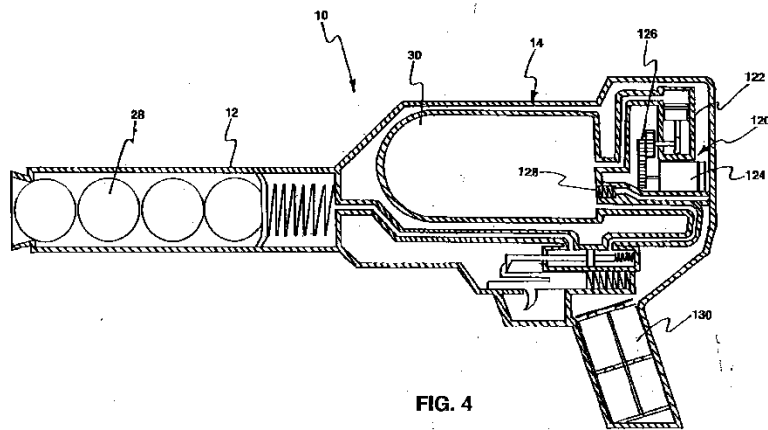
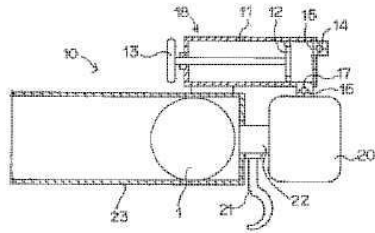
IF the trigger activates the opening of the discharge valve  
then F41B11/26.



## F41B 11/681

### Definition statement

Insert: The following two new images under the existing Definition statement paragraphs.



DATE: MAY 1, 2018

PROJECT RP0438

Delete: The entire existing Limiting references section.

**Limiting references**

*This place does not cover.*

The electric driving motor aspects	F41B11/00E
Exchangeable/refillable gas cartridges for use in air guns	F41B11/06
Arrangements for putting the spring under tension, in airguns with a spring loaded compressor piston	F41B11

Insert: The following three new rows in the existing Informative references table.

**Informative references**

*Attention is drawn to the following places, which may be of interest for search:*

Exchangeable/refillable gas cartridges for use in air guns	F41B11/62
Arrangements for putting the spring under tension, in airguns with a spring loaded compressor piston	F41B 11/646
Electronic or electric systems, e.g. electric drive motor aspects	F41B 11/71

## F41B 11/683

### Definition statement

Delete: The existing Definition statement paragraph.

A rocking lever being directly mechanically linked to a piston arrangement, so as to compress the air inside the compressed air storage tank, i.e. the piston itself is pressure accumulation tank.

Insert: The following replacement Definition statement paragraph.

A rocking lever being directly mechanically linked to a piston arrangement, so as to compress the air inside the compressed air storage tank, i.e. the piston itself is one of the boundaries of the pressure accumulation tank.

Insert: The following two new images under the replacement Definition statement paragraph.

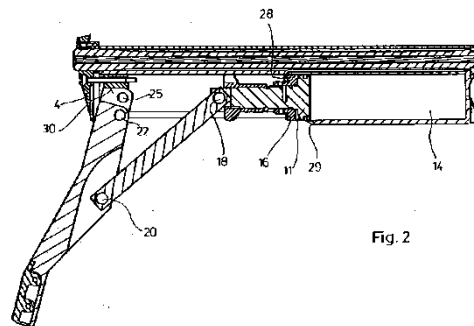


Fig. 2

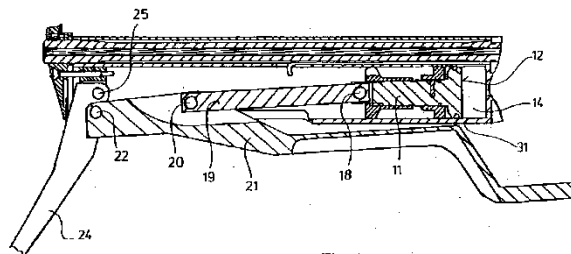


Fig. 3

DATE: MAY 1, 2018

PROJECT RP0438

Delete: The entire existing Limiting references section.

**Limiting references**

*This place does not cover:*

Rocking lever mechanism for cocking a spring in a spring operated piston airgun	F41B11/20
---	-----------

**Informative references**

Insert: In the existing Informative references table the following new row.

Rocking lever mechanism for cocking a spring in a spring operated piston airgun	F41B 11/647
---	-------------

**F41B 11/73**

**Definition statement**

Delete: The last sentence (shown below) from the Definition statement paragraph.

This group contains documents wherein the teaching is specifically aimed\_at the particular shape, arrangement, configuration or material of the sealing arrangement.

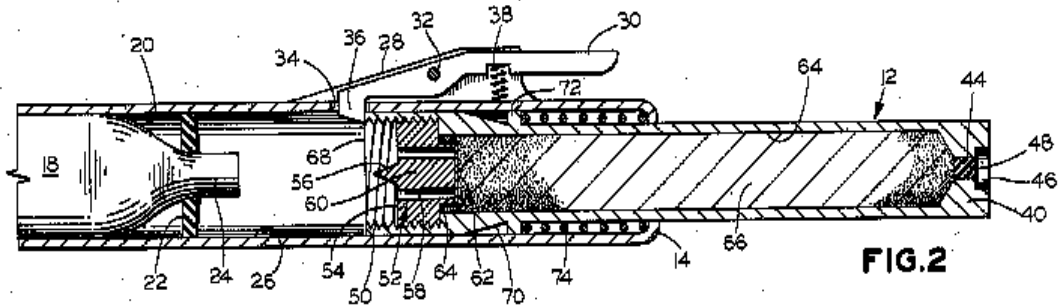
Insert: The following sentence as the new second paragraph in the Definition statement section.

This group contains documents wherein the teaching is specifically aimed\_at the particular shape, arrangement, configuration or material of the sealing arrangement.



Insert: The following new image in the Definition statement section under the second existing bulleted statement (as shown below).

- by spreading the powder directly from a nozzle.



Delete: The entire Limiting references section.

### Limiting references

*This place does not cover:*

Gas-blowing apparatus, e.g. for tear gas	F41H 9/04
Apparatus for generating artificial fog or smoke screens	F41H 9/06

### Informative references

Insert: The following two new rows to the existing Informative references section.

Gas-blowing apparatus, e.g. for tear gas	F41H 9/04
Apparatus for generating artificial fog or smoke screens	F41H 9/06

DATE: MAY 1, 2018

PROJECT RP0438

## F41B 11/83

### Definition statement

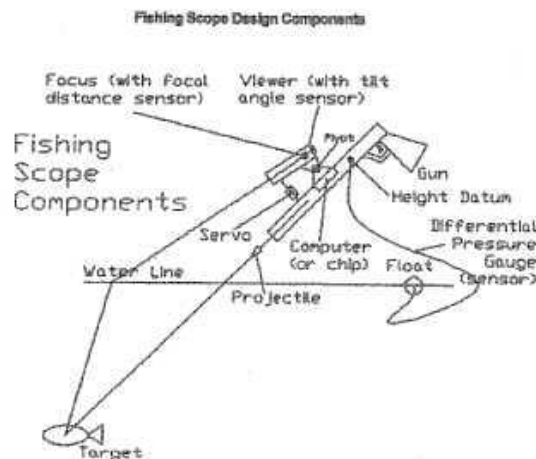
Delete: From the existing Definition statement paragraph, the second sentence.

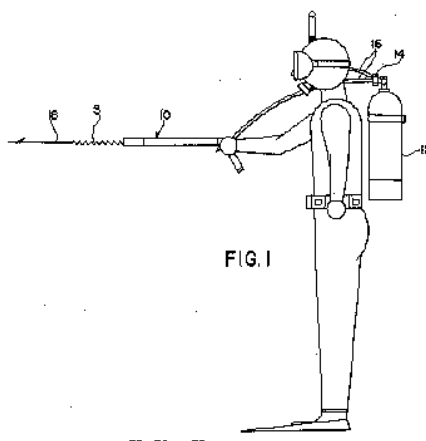
The group includes both, devices for use by divers in submerged condition or by fishers standing on land/ship and propelling the harpoon/spear into the water.

Insert: The following sentence as the new second paragraph in the Definition statement section.

The group includes both, devices for use by divers in submerged condition or by fishers standing on land/ship and propelling the harpoon/spear into the water.

Insert: The following two new images below the new second paragraph in the Definition statement section.





### Informative references

Insert: The following two new rows in the existing Informative references table.

Equipment for hunting fish under water	A01K 81/00
Spring guns adapted to discharge harpoons	F41B 7/04

Delete: The existing row in the Informative references table.

Fishing with projectile	A01K 81/00
-------------------------	------------

### Synonyms and Keywords

Insert: The following preamble under the existing Synonyms and Keywords heading.

*In patent documents, the following words/expressions are often used as synonyms:*



DATE: MAY 1, 2018

PROJECT RP0438

## F41B 11/89

### Definition statement

Insert: The following sentence at the end of the existing Definition statement paragraph (after the closing period).

The term "toy gun" is often erroneously used in order to differentiate the air gun from a firearm, see also special rule of classification below.

Delete: The entire existing Limiting references section.

### Limiting references

*This place does not cover:*

Air guns having a deformable bellows or bulb pressed during the firing	F41B11/24
Starting or launching devices for toy aircraft; Arrangements on toy aircraft for starting or launching	A63H 27/14

### Informative references

Insert: In the existing Informative references table, the following two new rows.

Air guns having a deformable bellows or bulb pressed during the firing	F41B11/66
Starting or launching devices for toy aircraft; Arrangements on toy aircraft for starting or launching	A63H 27/14

DATE: MAY 1, 2018

PROJECT RP0438

## Special rules of classification

Delete: From the existing Special rules of classification paragraph, the following sentence.

The mere use of the term toy gun in the publication does not imply classification in this group. If the compressed-gas gun is clearly a sports gun, a training or simulation gun it should not be classified in this group.

Insert: The following sentence as the second paragraph in the Special rules of classification section.

The mere use of the term toy gun in the publication does not imply classification in this group. If the compressed-gas gun is clearly a sports gun, a training or simulation gun it should not be classified in this group.

## Glossary of terms

Delete: From the existing row in the Glossary of terms table, the following words.

special rule of classification below

Insert: In the existing row in the Glossary of terms table, the following words.

special rules of classification above

CPC NOTICE OF CHANGES 499

DATE: MAY 1, 2018

PROJECT RP0438

B. DEFINITIONS QUICK FIX

<u>Symbol</u>	<u>Location of change</u> (e.g., section title)	<u>Existing reference symbol or text</u>	<u>Action; New symbol; New text</u>
F41B (subclass)	Limiting references	Hand-held or body-worn self-defence devices using repellent gases or chemicals F41H 9/10  Electrical discharge weapons F41H 13/0012  Directed energy weapons F41H 13/0043  Devices generating an electromagnetic pulse F41H 13/0093	<b>Delete</b> the following <u>four</u> rows from the existing Limiting references table.  Hand-held or body-worn self-defence devices using repellent gases or chemicals F41H 9/10  Electrical discharge weapons F41H 13/0012  Directed energy weapons F41H 13/0043  Devices generating an electromagnetic pulse F41H 13/0093
F41B (subclass)			<b>Insert</b> the following <u>new</u> Informative references section.  <b><i>Informative references</i></b> <i>Attention is drawn to the following places, which may be of interest for search:</i>  Hand-held or body-worn self-defence devices using repellent gases or chemicals F41H 9/10  Electrical discharge weapons F41H 13/0012  Directed energy weapons F41H 13/0043  Devices generating an electromagnetic pulse F41H 13/0093

CPC NOTICE OF CHANGES 499

DATE: MAY 1, 2018

PROJECT RP0438

F41B 11/00	Limiting references	<p>Devices for dispensing balls, e.g. from a reservoir A63B 47/002</p> <p>Stationary arranged devices for projecting balls A63B 69/40</p> <p>Hand-held nailing tools operated by fluid pressure B25C 1/04</p>	<p><b>Delete</b> the entire Limiting references section – heading, table, and rows.</p> <p><b>Limiting references</b> <i>This place does not cover:</i></p> <p>Devices for dispensing balls, e.g. from a reservoir A63B 47/002</p> <p>Stationary arranged devices for projecting balls A63B 69/40</p> <p>Hand-held nailing tools operated by fluid pressure B25C 1/04</p>
F41B 11/00	Informative references		<p><b>Insert</b> the following <u>three new</u> rows in the existing Informative references table.</p> <p>Devices for dispensing balls, e.g. from a reservoir <b>A63B 47/002</b></p> <p>Stationary arranged devices for projecting balls <b>A63B 69/40</b></p> <p>Hand-held nailing tools operated by fluid pressure <b>B25C 1/04</b></p>

NOTES:

- The table above is used for corrections or modifications to existing definitions, e.g. delete an entire definition or part thereof; propose new wording or modify wording of a section, change the symbol the definition is associated with, change or delete a reference symbol, etc.
- Do not delete (F) symbol definitions.

CPC NOTICE OF CHANGES 499

DATE: MAY 1, 2018

PROJECT RP0438

3. REVISION CONCORDANCE LIST (RCL)

<u>Type*</u>	<u>From CPC Symbol (existing)</u>	<u>To CPC Symbol(s)</u>
C	F41B 11/57	F41B 11/57, F41B 11/71

\* C = entries with modified file scope where reclassification of documents from the entries is involved; Q = new entries which are firstly populated with documents via administrative transfers from deleted (D) entries. Afterwards, the transferred documents into the Q entry will either stay or be moved to more appropriate entries, as determined by intellectual reclassification; D = deleted entries.

NOTES:

- Only C, D, F and Q type entries are included in the table above.
- When multiple symbols are included in the “To” column, avoid using ranges of symbols in order to be as precise as possible.
- For administrative transfer of documents, the following text should be used: “< administrative transfer to XX>” or “<administrative transfer to XX and YY simultaneously>” when administrative transfer of the same documents is to more than one place.
- Administrative transfer to main trunk groups is assumed to be “invention information”, unless otherwise indicated, and to 2000 series groups is assumed to be “additional information”.