

EUROPEAN PATENT OFFICE
U.S. PATENT AND TRADEMARK OFFICE

CPC NOTICE OF CHANGES 656

DATE: MAY 1, 2019

PROJECT RP0129

The following classification changes will be effected by this Notice of Changes:

<u>Action</u>	<u>Subclass</u>	<u>Group(s)</u>
SCHEME:		
Symbols New:	A61M	35/10, 35/20, 35/25, 35/30
Titles Changed:	A61M	35/00, 35/003, 35/006
Warnings New:	A61M	35/00, 35/10, 35/20, 35/25, 35/30
DEFINITIONS:		
Definitions New:	A61M	35/10, 35/20, 35/25, 25/30
Definitions Modified:	A61M	35/00, 35/003, 35/006

No other subclasses/groups are impacted by this Notice of Changes.

This Notice of Changes includes the following:

1. CLASSIFICATION SCHEME CHANGES

- A. New, Modified or Deleted Group(s)
- B. New, Modified or Deleted Warning(s)
- C. New, Modified or Deleted Note(s)
- D. New, Modified or Deleted Guidance Heading(s)

2. DEFINITIONS

- A. New or Modified Definitions (Full definition template)
- B. Modified or Deleted Definitions (Definitions Quick Fix)

3. REVISION CONCORDANCE LIST (RCL)

4. CHANGES TO THE CPC-TO-IPC CONCORDANCE LIST (CICL)

5. CHANGES TO THE CROSS-REFERENCE LIST (CRL)

CPC NOTICE OF CHANGES 656

DATE: MAY 1, 2019

PROJECT RP0129

1. CLASSIFICATION SCHEME CHANGES

A. New, Modified or Deleted Group(s)

SUBCLASS A61M – DEVICES FOR INTRODUCING MEDIA INTO, OR ONTO, THE BODY (introducing media into or onto the bodies of animals A61D7/00; means for inserting tampons A61F13/26; devices for administering food or medicines orally A61J; containers for collecting, storing or administering blood or medical fluids A61J1/05); DEVICES FOR TRANSDUCING BODY MEDIA OR FOR TAKING MEDIA FROM THE BODY (surgery A61B; chemical aspects of surgical articles A61L); DEVICES FOR PRODUCING OR ENDING SLEEP OR STUPOR

<u>Type*</u>	<u>Symbol</u>	<u>Indent Level</u> <u>Number of dots</u> <u>(e.g. 0, 1, 2)</u>	<u>Title</u> <u>(new or modified)</u> <u>“CPC only” text should normally be enclosed</u> <u>in {curly brackets}**</u>	<u>Transferred to#</u>
C	A61M 35/00	0	Devices for applying {, e.g. spreading,} media, e.g. remedies, on the human body (devices for handling toilet or cosmetic substances A45D; absorbent pads, e.g. swabs {for medical use}, A61F13/15)	A61M 35/00, A61M 35/10, A61M 35/20, A61M 35/25, A61M 35/30
M	A61M 35/003	1	{Portable hand-held applicators having means for dispensing or spreading integral media (hand-held massage devices with liquid delivery A61H7/003)}	
M	A61M 35/006	2	{using sponges, foams, absorbent pads or swabs as spreading means}	
N	A61M 35/10	1	{Wearable devices, e.g. garments, glasses or masks}	
N	A61M 35/20	1	{Non-portable devices, e.g. spraying booths}	
N	A61M 35/25	2	{specially adapted for the application of sunscreen, tanning or self-tanning lotions}	
N	A61M 35/30	1	{Gas therapy for therapeutic treatment of the skin}	

*N = new entries where reclassification into entries is involved; C = entries with modified file scope where reclassification of documents from the entries is involved; Q = new entries which are firstly populated with documents via administrative transfers from deleted (D) entries. Afterwards, the transferred documents into the Q entry will either stay or be moved to more appropriate entries, as determined by intellectual reclassification; E= existing entries with enlarged file scope, which receive documents from C or D entries, e.g. when a limiting reference is removed from the entry title; M = entries with no change to the file scope (no reclassification); D = deleted entries; F = frozen entries will be deleted once reclassification of documents from the entries is completed; U = entries that are unchanged.

NOTES:

- **No {curly brackets} are used for titles in CPC only subclasses, e.g. C12Y, A23Y; 2000 series symbol titles of groups found at the end of schemes (orthogonal codes); or the Y section titles. The {curly brackets} are used for 2000 series symbol titles found interspersed throughout the main trunk schemes (breakdown codes).
- For U groups, the minimum requirement is to include the U group located immediately prior to the N group or N group array, in order to show the N group hierarchy and improve the readability and understanding of the scheme. Always include the symbol, indent level and title of the U group in the table above.
- All entry types should be included in the scheme changes table above for better understanding of the overall scheme change picture. Symbol, indent level, and title are required for all types except “D” which requires only a symbol.

CPC NOTICE OF CHANGES 656

DATE: MAY 1, 2019

PROJECT RP0129

- #“Transferred to” column must be completed for all C, D, F, and Q type entries. F groups will be deleted once reclassification is completed.
- When multiple symbols are included in the “Transferred to” column, avoid using ranges of symbols in order to be as precise as possible.
- For administrative transfer of documents, the following text should be used: “< administrative transfer to XX>” or “<administrative transfer to XX and YY simultaneously>” when administrative transfer of the same documents is to more than one place.
- Administrative transfer to main trunk groups is assumed to be “invention information”, unless otherwise indicated, and to 2000 series groups is assumed to be “additional information”.

CPC NOTICE OF CHANGES 656

DATE: MAY 1, 2019

PROJECT RP0129

B. New, Modified or Deleted Warning notice(s)

SUBCLASS A61M – DEVICES FOR INTRODUCING MEDIA INTO, OR ONTO, THE BODY (introducing media into or onto the bodies of animals A61D7/00; means for inserting tampons A61F13/26; devices for administering food or medicines orally A61J; containers for collecting, storing or administering blood or medical fluids A61J1/05); DEVICES FOR TRANSDUCING BODY MEDIA OR FOR TAKING MEDIA FROM THE BODY (surgery A61B; chemical aspects of surgical articles A61L); DEVICES FOR PRODUCING OR ENDING SLEEP OR STUPOR

<u>Type*</u>	<u>Location</u>	<u>Old Warning notice</u>	<u>New/Modified Warning notice</u>
N	A61M 35/00		Group A61M 35/00 is impacted by reclassification into groups A61M 35/10, A61M 35/20, A61M 35/25, and A61M 35/30. All groups listed in this Warning should be considered in order to perform a complete search.
N	A61M 35/10		Group A61M 35/10 is incomplete pending reclassification of documents from group A61M 35/00. Groups A61M 35/00 and A61M 35/10 should be considered in order to perform a complete search.
N	A61M 35/20		Group A61M 35/20 is incomplete pending reclassification of documents from group A61M 35/00. Groups A61M 35/00 and A61M 35/20 should be considered in order to perform a complete search.
N	A61M 35/25		Group A61M 35/25 is incomplete pending reclassification of documents from group A61M 35/00. Groups A61M 35/00 and A61M 35/25 should be considered in order to perform a complete search.
N	A61M 35/30		Group A61M 35/30 is incomplete pending reclassification of documents from group A61M 35/00. Groups A61M 35/00 and A61M 35/30 should be considered in order to perform a complete search.

*N = new warning, M = modified warning, D = deleted warning

NOTE: The “Location” column only requires the symbol PRIOR to the location of the warning. No further directions such as “before” or “after” are required.

DATE: MAY 1, 2019

PROJECT RP0129

2. A. DEFINITIONS (new)

Insert: The following new Definitions.

A61M 35/10

Definition statement

This group covers:

For example:

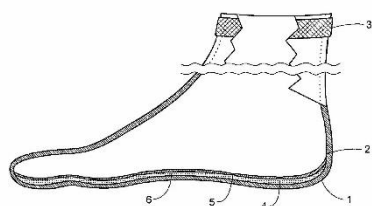


FIG. 1

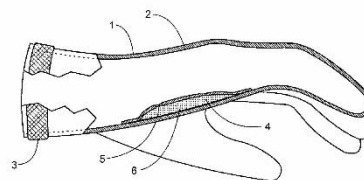


FIG. 3

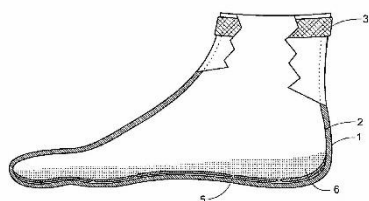


FIG. 2

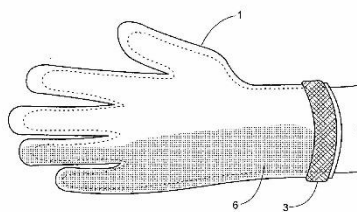


FIG. 4

Informative references

Attention is drawn to the following places, which may be of interest for search:

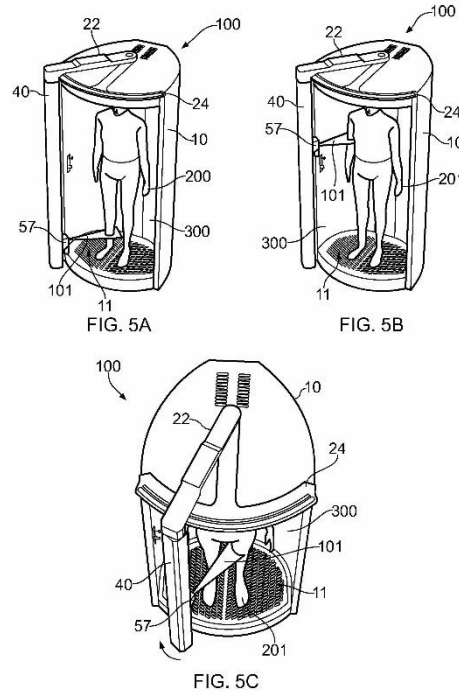
Garments, in general	A41D 1/00
Garments for therapeutic use	A41D 2400/32
Hats, caps, hoods, in general	A42B 1/00
Goggles, in general	A61F 9/02
Eye masks, in general	A61F 9/04
Bandages or dressings	A61F 13/00
Glasses, in general	G02C

A61M 35/20

Definition statement

This group covers:

For example:



Informative references

Attention is drawn to the following places, which may be of interest for search:

Spraying apparatus, in general	B05B
Coin operated apparatus for spraying fluids, in general	G07F 13/08

DATE: MAY 1, 2019

PROJECT RP0129

A61M35/25

Informative references

Attention is drawn to the following places, which may be of interest for search:

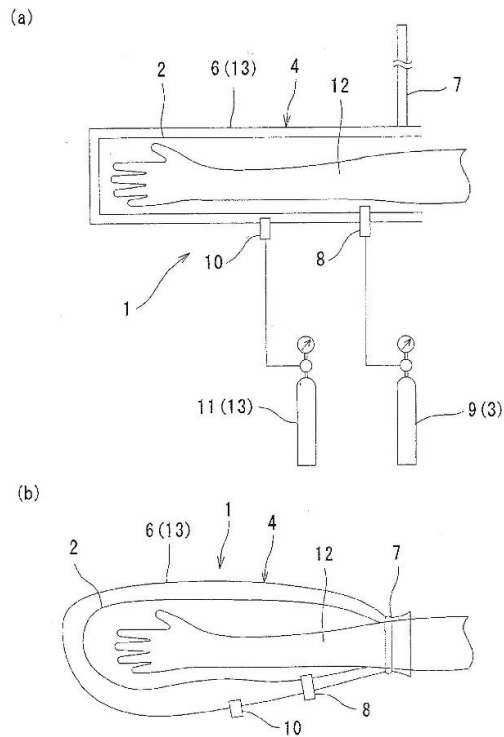
Apparatus for tanning the skin using electromagnetic radiation	A61N 5/0614
Spraying apparatus, in general	B05B
Coin operated apparatus for spraying fluids, in general	G07F 13/08

A61M 35/30

Definition statement

This group covers:

For example:



14

Informative references

Attention is drawn to the following places, which may be of interest for search:

Bathing devices, in general	A61H 33/00
Baths for specific parts of the body, in general	A61H 35/00

2. A. DEFINITIONS (modified)

Insert: The following changes into the existing Definitions.

A61M 35/00

Definition statement

Delete: The following bullets from the Definition statement:

- Devices only for applying drugs onto the body.
- Booths for spraying tanning lotions onto the body.

Insert: The following paragraphs in the Definition statement.

This place covers:

Devices only for applying drugs, including antiseptics, sun protection lotions and self-tanning lotions onto the body and onto wounds.

This group does not cover devices which enhance the permeability of the skin, for example by iontophoresis or phonophoresis.

References

Limiting References

This group does not cover:

Delete: The following rows from the *Limiting references* table:

Baths	A61H 35/00
Salt baths	A61H 33/04

Replace: The text for reference A61F 13/15 with:

Absorbent pads, e.g. swabs, for medical use, in general	A61F 13/15
---	----------------------------

DATE: MAY 1, 2019

PROJECT RP0129

Informative references*Attention is drawn to the following places, which may be of interest for search:***Delete:** The following rows from the *Informative references* table:

Apparatus for tanning the skin	A61N 5/0614
Spraying apparatus	B05B
Coin operated apparatus for spraying fluids	G07F 13/08

Insert: The following rows into the *Limiting references* table:

Bathing devices, in general	A61H 33/00
Baths for specific parts of the body, in general	A61H 35/00
Apparatus for applying media using vibrations	A61M 37/0092
Apparatus for iontophoresis	A61N 1/30

A61M35/003**Definition statement***This place covers:***Replace:** The existing paragraph with the following new paragraph:

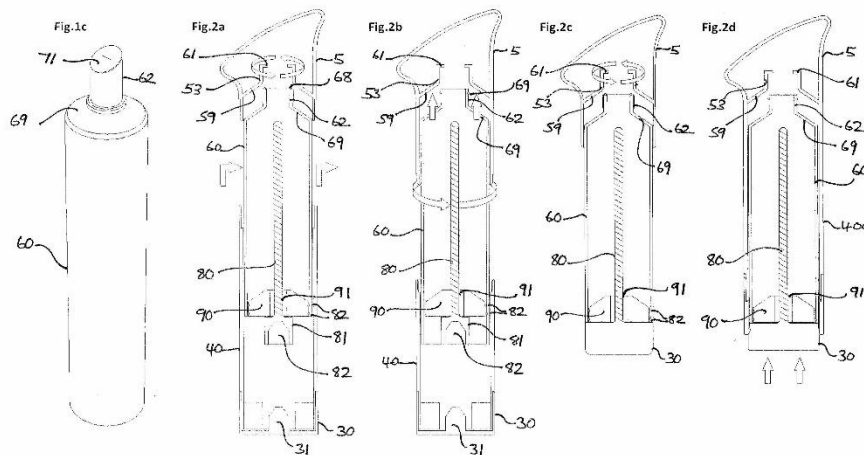
Handheld devices only for applying drugs, including antiseptics, onto the body and onto wounds. The drug to be applied is an integral part of the applicator.

DATE: MAY 1, 2019

PROJECT RP0129

Insert: The following heading and illustration.

For example:



References

Limiting references

This place does not cover:

Delete: The following rows from the *Limiting references* table:

Apparatus for iontophoresis	A61N 1/30
Hand tools for applying fluent material to surfaces, in general	B05C 17/00
Container closures with pads or like contents-applying means, in general	B65D 47/42

Delete: The symbol [A61H 2201/105](#) and the comma after the symbol [A61H 7/003](#) in the following row in the *Limiting references* table.

Hand-held massage devices with liquid delivery	A61H 7/003 , A61H 2201/105
--	---

DATE: MAY 1, 2019

PROJECT RP0129

Insert: The following new rows into a new *Informative references* section and table.

Informative references

Attention is drawn to the following places, which may be of interest for search:

Apparatus with means for delivering media, e.g. drugs or cosmetics	A61H 2201/105
Hand tools for applying fluent material to surfaces, in general	B05C 17/00
Container closures with pads or like contents-applying means, in general	B65D 47/42

A61M35/006

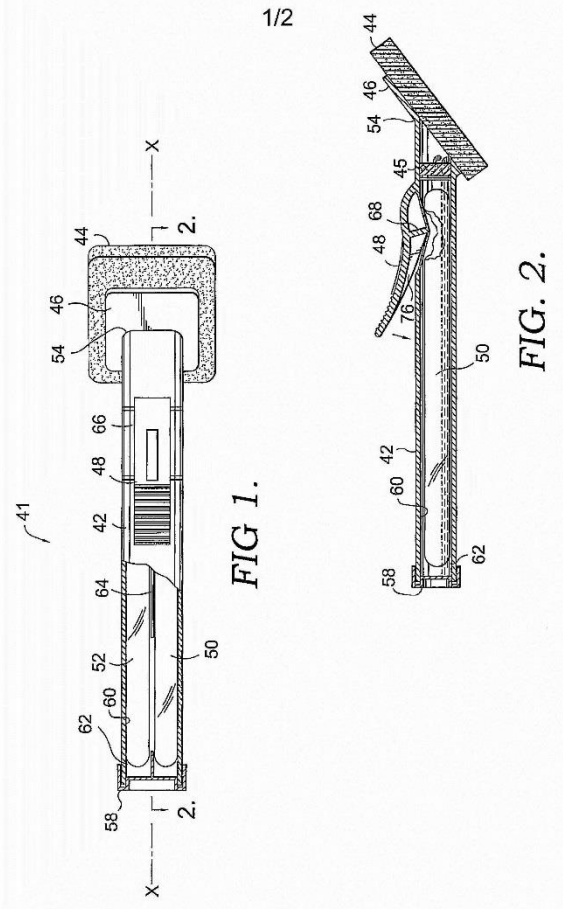
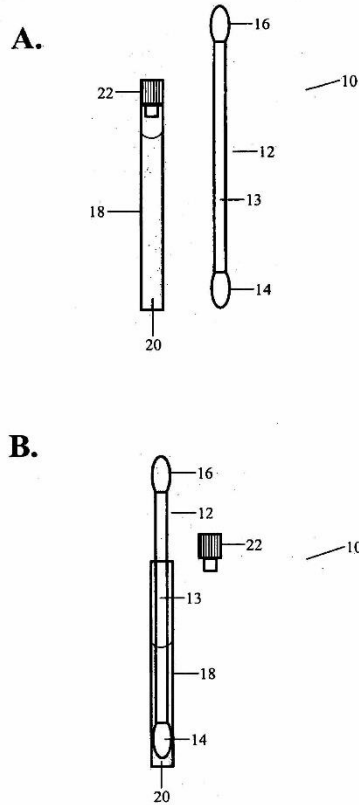
Insert: The following new paragraph, heading (“For example”) and two diagrams into a *new Definition statement* section.

Definition statement

This group covers:

Portable hand-held applicators using sponges, foams or absorbent pads or swabs specifically used as spreading means, however not absorbent pads or swabs in general.

For example:



References

Limiting References

This group does not cover:

Delete: The entire *Limiting references* section and the following row from the *Limiting references* table:

Absorbent pads, e.g. swabs, for medical use, in general	A61F13/00 , A61F13/38
---	---

CPC NOTICE OF CHANGES 656

DATE: MAY 1, 2019

PROJECT RP0129

3. REVISION CONCORDANCE LIST (RCL)

<u>Type*</u>	<u>From CPC Symbol (existing)</u>	<u>To CPC Symbol(s)</u>
C	A61M35/00	A61M35/00, A61M35/10, A61M35/20, A61M35/25, A61M35/30

* C = entries with modified file scope where reclassification of documents from the entries is involved; Q = new entries which are firstly populated with documents via administrative transfers from deleted (D) entries. Afterwards, the transferred documents into the Q entry will either stay or be moved to more appropriate entries, as determined by intellectual reclassification; D = deleted entries.

NOTES:

- Only C, D, and Q type entries are included in the table above.
- When multiple symbols are included in the “To” column, avoid using ranges of symbols in order to be as precise as possible.
- For administrative transfer of documents, the following text should be used: “< administrative transfer to XX>” or “<administrative transfer to XX and YY simultaneously>” when administrative transfer of the same documents is to more than one place.
- Administrative transfer to main trunk groups is assumed to be “invention information”, unless otherwise indicated, and to 2000 series groups is assumed to be “additional information”.

CPC NOTICE OF CHANGES 656

DATE: MAY 1, 2019

PROJECT RP0129

4. CHANGES TO THE CPC-TO-IPC CONCORDANCE LIST (CICL)

<u>CPC</u>	<u>IPC</u>	<u>Action*</u>
A61M35/10	A61M35/00	NEW
A61M35/20	A61M35/00	NEW
A61M35/25	A61M35/00	NEW
A61M35/30	A61M35/00	NEW

*Action column:

- For an (N) or (Q) entry, provide an IPC symbol and complete the Action column with "NEW."
- For an existing CPC main trunk entry or indexing entry where the existing IPC symbol needs to be changed, provide an updated IPC symbol and complete the Action column with "UPDATED."
- For a (D) CPC entry or indexing entry complete the Action column with "DELETE." IPC symbol does not need to be included in the IPC column.
- For an (N) 2000 series CPC entry which is positioned within the main trunk scheme (breakdown code) provide an IPC symbol and complete the action column with "NEW".
- For an (N) 2000 series CPC entry positioned at the end of the CPC scheme (orthogonal code), with no IPC equivalent, complete the IPC column with "CPCONLY" and complete the action column with "NEW".

NOTES:

- F symbols are not included in the CICL table above.
- E and M symbols are not included in the CICL table above unless a change to the existing IPC is desired.