

EUROPEAN PATENT OFFICE
U.S. PATENT AND TRADEMARK OFFICE

CPC NOTICE OF CHANGES 688

DATE: MAY 1, 2019

PROJECT RP0221

The following classification changes will be effected by this Notice of Changes:

<u>Action</u>	<u>Subclass</u>	<u>Group(s)</u>
SCHEME:		
Symbols Deleted:	A01G	2013/002
Symbols New:	A01G	9/249
Titles Changed:	A01G	2003/023
	A01G	7/04
	A01G	2009/003, 9/006, 9/128, 9/20, 9/24, 9/26
	A01G	17/08, 17/085
	A01G	25/026
	A01G	31/042, 31/045, 31/047
Warnings New:	A01G	7/045
	A01G	9/249, 9/26
DEFINITIONS:		
Definitions New:	A01G	3/025
	A01G	7/045
	A01G	9/033, 9/20, 9/24, 9/249, 9/26

No other subclasses/groups are impacted by this Notice of Changes.

This Notice of Changes includes the following [Check the ones included]:

1. CLASSIFICATION SCHEME CHANGES

- A. New, Modified or Deleted Group(s)
- B. New, Modified or Deleted Warning(s)
- C. New, Modified or Deleted Note(s)
- D. New, Modified or Deleted Guidance Heading(s)

2. DEFINITIONS

- A. New or Modified Definitions (Full definition template)
- B. Modified or Deleted Definitions (Definitions Quick Fix)

3. REVISION CONCORDANCE LIST (RCL)

4. CHANGES TO THE CPC-TO-IPC CONCORDANCE LIST (CICL)

5. CHANGES TO THE CROSS-REFERENCE LIST (CRL)

CPC NOTICE OF CHANGES 688

DATE: MAY 1, 2019

PROJECT RP0221

1. CLASSIFICATION SCHEME CHANGES

A. New, Modified or Deleted Group(s)

SUBCLASS A01G - HORTICULTURE; CULTIVATION OF VEGETABLES, FLOWERS, RICE, FRUIT, VINES, HOPS OR SEAWEED; FORESTRY; WATERING (picking of fruits, vegetables, hops, or the like A01D46/00; plant reproduction by tissue culture techniques A01H4/00; devices for topping or skinning onions or flower bulbs A23N15/08; propagating unicellular algae C12N1/12; plant cell culture C12N5/00)

<u>Type*</u>	<u>Symbol</u>	<u>Indent Level Number of dots (e.g. 0, 1, 2)</u>	<u>Title (new or modified)</u> <u>“CPC only” text should normally be enclosed in {curly brackets}**</u>	<u>Transferred to#</u>
M	A01G 2003/023	2	{ with means for grasping or collecting the cut objects }	
M	A01G 7/04	1	Electric or magnetic {or acoustic} treatment of plants for promoting growth	
M	A01G 2009/003	1	{ Receptacles consisting of separable sections, e.g. for allowing easy removal of the plant }	
M	A01G 9/006	1	{ Labels or label holders specially adapted for plant receptacles }	
M	A01G 9/128	2	{ Fixing of plants to supports, e.g. by means of clips (tying devices in trellis-work A01G 17/08) }	
M	A01G 9/20	1	Forcing-frames; Lights {, i.e. glass panels covering the forcing }	
M	A01G 9/24	1	Devices {or systems} for heating, ventilating, regulating temperature {, illuminating}, or watering, in greenhouses, forcing-frames, or the like	
U	A01G 2009/248	2	{ with distillation of water }	
N	A01G 9/249	2	{ Lighting means (with special arrangements for promoting growth A01G7/045) }	
C	A01G 9/26	2	Electric devices {(A01G 9/249 takes precedence)}	A01G 7/045, A01G 9/249, A01G 9/26
D	A01G 2013/002	1	{ Wind breakers }	<administrative transfer to A01G 13/0225>
T	A01G 13/0225	2	{ Wind breakers, i.e. devices providing lateral protection of the plants }	
M	A01G 17/08	3	Tools {e.g. clips} for attaching hops, vines, or boughs to trellis-work; Tying devices	
M	A01G 17/085	4	{ Espalier machines; Tying machines }	
M	A01G 25/026	2	{ Apparatus or processes for fitting the drippers to the hoses or the pipes }	
M	A01G 31/042	3	{ with containers travelling on a belt or the like, or conveyed by chains }	
M	A01G 31/045	3	{ with containers guided along a rail }	

CPC NOTICE OF CHANGES 688

DATE: MAY 1, 2019

PROJECT RP0221

<u>Type*</u>	<u>Symbol</u>	<u>Indent Level Number of dots (e.g. 0, 1, 2)</u>	<u>Title (new or modified)</u> <u>“CPC only” text should normally be enclosed in {curly brackets}**</u>	<u>Transferred to#</u>
M	A01G 31/047	3	{ with containers inside rotating drums or rotating around a horizontal axis, e.g. carousels }	

*N = new entries where reclassification into entries is involved; C = entries with modified file scope where reclassification of documents from the entries is involved; Q = new entries which are firstly populated with documents via administrative transfers from deleted (D) entries. Afterwards, the transferred documents into the Q entry will either stay or be moved to more appropriate entries, as determined by intellectual reclassification; T= existing entries with enlarged file scope, which receive documents from C or D entries, e.g. when a limiting reference is removed from the entry title; M = entries with no change to the file scope (no reclassification); D = deleted entries; F = frozen entries will be deleted once reclassification of documents from the entries is completed; U = entries that are unchanged.

NOTES:

- **No {curly brackets} are used for titles in CPC only subclasses, e.g. C12Y, A23Y; 2000 series symbol titles of groups found at the end of schemes (orthogonal codes); or the Y section titles. The {curly brackets} are used for 2000 series symbol titles found interspersed throughout the main trunk schemes (breakdown codes).
- U groups: it is obligatory to display the required “anchor” symbol (U group), i.e. the entry immediately preceding a new group or an array of new groups to be created (in case new groups are not clearly subgroups of C-type groups). Always include the symbol, indent level and title of the U group in the table above.
- All entry types should be included in the scheme changes table above for better understanding of the overall scheme change picture. Symbol, indent level, and title are required for all types.
- “Transferred to” column must be completed for all C, D, F, and Q type entries. F groups will be deleted once reclassification is completed.
- When multiple symbols are included in the “Transferred to” column, avoid using ranges of symbols in order to be as precise as possible.
- For administrative transfer of documents, the following text should be used: “< administrative transfer to XX>”, “<administrative transfer to XX and YY simultaneously>”, or “<administrative transfer to XX, YY ...and ZZ simultaneously>” when administrative transfer of the same documents is to more than one place.
- Administrative transfer to main trunk groups is assumed to be the source allocation type, unless otherwise indicated.
- Administrative transfer to 2000/Y series groups is assumed to be “additional information”.
- If needed, instructions for allocation type should be indicated within the angle brackets using the abbreviations “ADD” or “INV”: <administrative transfer to XX ADD> , <administrative transfer to XX INV>, or < administrative transfer to XX ADD, YY INV, ... and ZZ ADD simultaneously>.
- In certain situations, the “D” entries of 2000-series or Y-series groups may not require a destination (“Transferred to”) symbol, however it is required to specify “<no transfer>” in the “Transferred to” column for such cases.
- For finalisation projects, the deleted “F” symbols should have <no transfer> in the “Transferred to” column.
- For more details about the types of scheme change, see CPC Guide.

CPC NOTICE OF CHANGES 688

DATE: MAY 1, 2019

PROJECT RP0221

B. New, Modified or Deleted Warning notice(s)

SUBCLASS A01G - HORTICULTURE; CULTIVATION OF VEGETABLES, FLOWERS, RICE, FRUIT, VINES, HOPS OR SEAWEED; FORESTRY; WATERING (picking of fruits, vegetables, hops, or the like A01D46/00; plant reproduction by tissue culture techniques A01H4/00; devices for topping or skinning onions or flower bulbs A23N15/08; propagating unicellular algae C12N1/12; plant cell culture C12N5/00)

<u>Type*</u>	<u>Location</u>	<u>Old Warning notice</u>	<u>New/Modified Warning notice</u>
N	A01G 7/045		Group A01G 7/045 is incomplete pending reclassification of documents from group A01G 9/26. Groups A01G 9/26 and A01G 7/045 should be considered in order to perform a complete search
N	A01G 9/249		Group A01G 9/249 is incomplete pending reclassification of documents from group A01G 9/26. Groups A01G 9/26 and A01G 9/249 should be considered in order to perform a complete search.
N	A01G 9/26		Group A01G 9/26 is impacted by reclassification into groups A01G 9/249 and A01G 7/045. Groups A01G 9/26, A01G 9/249, and A01G 7/045 should be considered in order to perform a complete search.

*N = new warning, M = modified warning, D = deleted warning

NOTE: The "Location" column only requires the symbol PRIOR to the location of the warning. No further directions such as "before" or "after" are required.

DATE: MAY 1, 2019

PROJECT RP0221

2. A. DEFINITIONS (New)

Insert the following NEW definitions.

A01G 3/025

References

Application-oriented references

Examples of places where the subject matter of this place is covered when specially adapted, used for a particular purpose, or incorporated in a larger system:

Motor-driven blades	A01G3/0335
---------------------	----------------------------

A01G 7/045

Definition statement

This place covers:

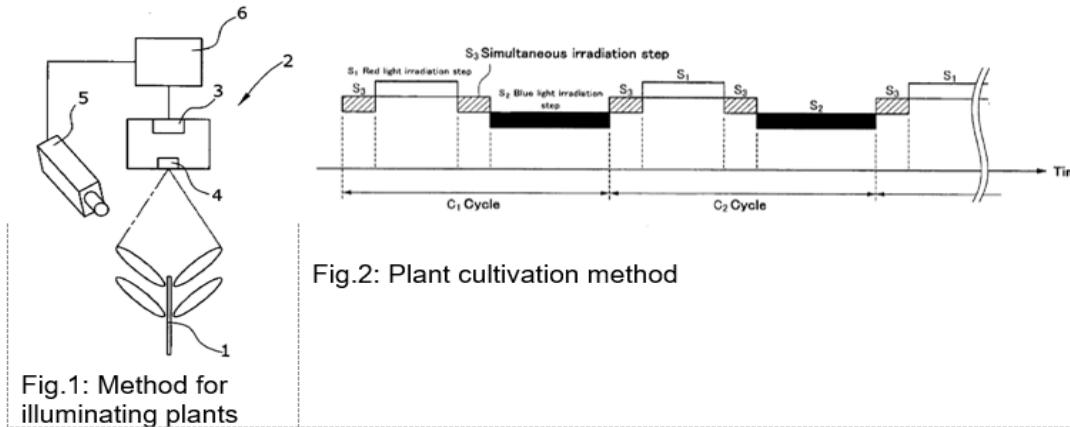
- Illumination means for controlling plant photomorphogenesis, i.e. plant morphology, photoperiodism, or phototropism; for example: illumination means for inducing or delaying flowering, fruiting, bolting, etc.;
- Illumination means for varying the light properties other than the propagation direction, depending on the plant cultivated; for example: illumination means with variable wavelength spectrum, intensity, polarization;

Illumination systems where illumination is controlled by measurements taken in the plant's direct environment, e.g. by cameras, light sensors, etc. (illustration in Fig.1);

Illumination methods for plants, e.g. lighting recipes (illustration in Fig.2).

DATE: MAY 1, 2019

PROJECT RP0221



References

Informative references

Attention is drawn to the following places, which may be of interest for search:

Lighting systems for greenhouses	A01G 9/249
----------------------------------	----------------------------

A01G 9/033

References

Informative references

Attention is drawn to the following places, which may be of interest for search:

Constructional aspect of greening roofs	E04D 11/002
---	-----------------------------

A01G 9/20

Definition statement

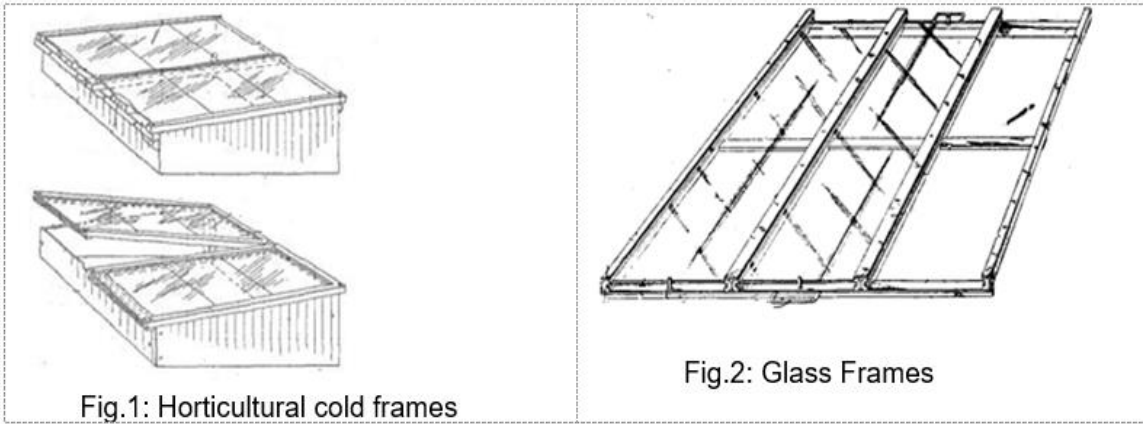
This place covers:

Low gardening beds, with covering frames like glass panes, for forcing or propagating young plants (illustration in Fig.1).

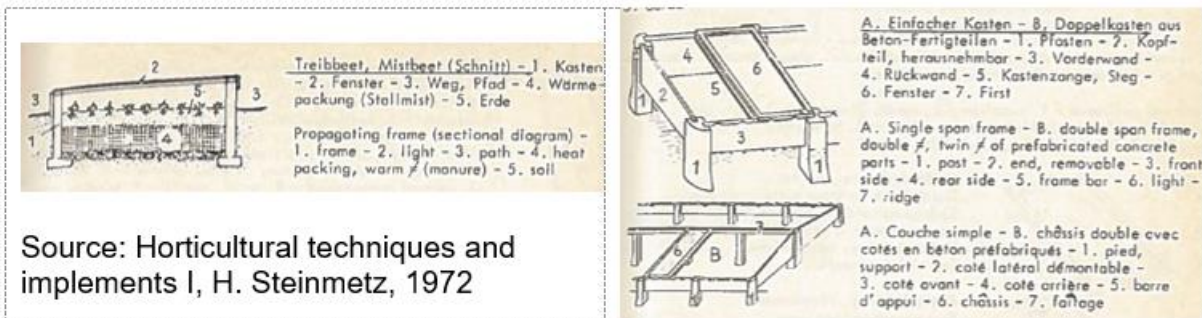
Covering frames for use in forcing-frames, e.g. glass frames, etc. (illustration in Fig.2).

DATE: MAY 1, 2019

PROJECT RP0221



Important note: the term "light" is an outdated term referring to said glass frames and has nothing to do with artificial lighting (see the Figures below: the "lights" with reference signs 2 and 6).



Source: Horticultural techniques and implements I, H. Steinmetz, 1972

References

Informative references

Attention is drawn to the following places, which may be of interest for search:

Lighting treatment of plants	A01G 7/045
Lighting systems for greenhouses	A01G 9/249
Raised beds; Planting beds	A01G 9/28
Tunnels	A01G 13/0231
Greenhouses	A01G 9/14

DATE: MAY 1, 2019

PROJECT RP0221

Synonyms and Keywords

In patent documents, the following words/expressions are often used as synonyms:

- “forcing frames”, “horticultural frames”, “garden frames”, “cold frames”, propagating frames”, “hotbeds”

A01G 9/24

Definition statement

This place covers:

Systems or devices for managing the environment in greenhouses, forcing-frames or the like, such as:

Ventilating systems for greenhouses or the like.

Heating systems.
Air-conditioning systems.

Illumination arrangements other than for a lighting treatment of the plant.

Watering arrangements of plants cultivated in greenhouses or the like.

A01G 9/249

Definition statement

This place covers:

Spatial arrangements of lamps for controlling the light propagation direction towards the plants, e.g. to increase photosynthetic activity, such as:

Vertical lamp arrays (illustration in Fig.1),

Lighting means for illuminating the bottom leaves,

Movable illumination means, etc.

Illumination systems with structural features for controlling the light propagation direction towards the plants, such as:

DATE: MAY 1, 2019

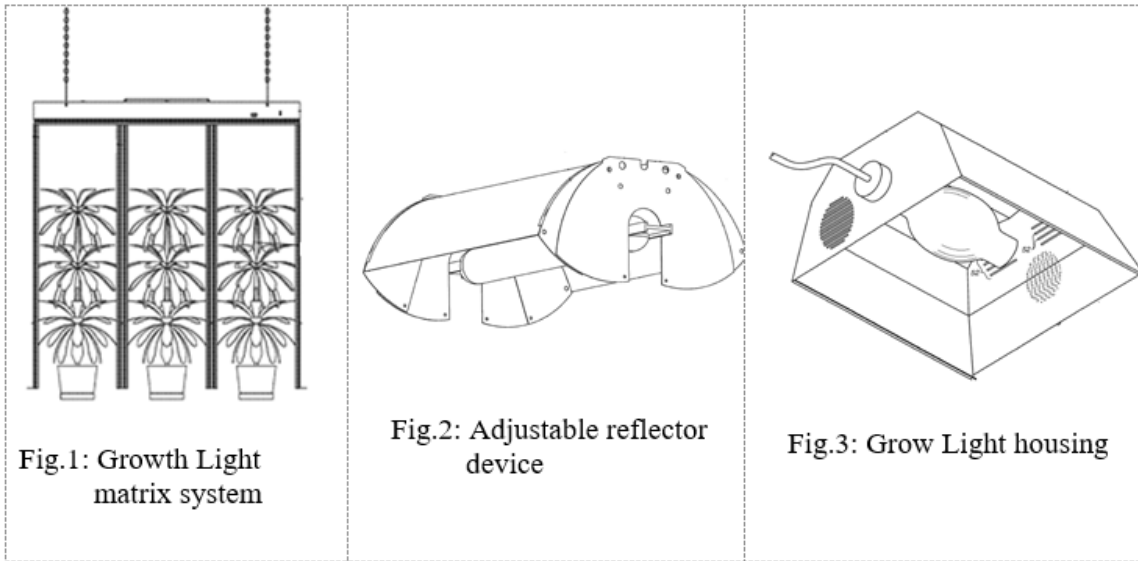
PROJECT RP0221

Screens, shades in association with horticultural lamps;

Horticultural lamps with lenses;

Horticultural lamps with reflectors (illustration in Fig.2), etc.

Horticultural illumination systems with cooling means (illustration in Fig.3).



References

Limiting references

This place does not cover:

Lighting treatment of plants	A01G 7/045
------------------------------	----------------------------

Informative references

Attention is drawn to the following places, which may be of interest for search:

Reflectors for light sources	F21V 7/00
Cooling arrangements for lighting devices	F21V 29/50

DATE: MAY 1, 2019

PROJECT RP0221

A01G 9/26

References

Limiting references

This place does not cover:

Lighting means	A01G 9/249
----------------	----------------------------

CPC NOTICE OF CHANGES 688

DATE: MAY 1, 2019

PROJECT RP0221

3. REVISION CONCORDANCE LIST (RCL)

Type*	From CPC Symbol (existing)	To CPC Symbol(s)
C	A01G 9/26	A01G 7/045, A01G 9/249, A01G 9/26
D	A01G 2013/002	<administrative transfer to A01G 13/0225>

* C = entries with modified file scope where reclassification of documents from the entries is involved; Q = new entries which are firstly populated with documents via administrative transfers from deleted (D) entries. Afterwards, the transferred documents into the Q entry will either stay or be moved to more appropriate entries, as determined by intellectual reclassification; D = deleted entries.

NOTES:

- Only C, D, F and Q type entries are included in the table above.
- When multiple symbols are included in the “To” column, avoid using ranges of symbols in order to be as precise as possible.
- For administrative transfer of documents, the following text should be used: “< administrative transfer to XX>” or “<administrative transfer to XX and YY simultaneously>” when administrative transfer of the same documents is to more than one place.
- Administrative transfer to main trunk groups is assumed to be “invention information”, unless otherwise indicated, and to 2000 series groups is assumed to be “additional information”.

CPC NOTICE OF CHANGES 688

DATE: MAY 1, 2019

PROJECT RP0221

4. CHANGES TO THE CPC-TO-IPC CONCORDANCE LIST (CICL)

<u>CPC</u>	<u>IPC</u>	<u>Action*</u>
A01G 9/249	A01G 9/24	NEW
A01G 2013/002		DELETE

*Action column:

- For an (N) or (Q) entry, provide an IPC symbol and complete the Action column with “NEW.”
- For an existing CPC main trunk entry or indexing entry where the existing IPC symbol needs to be changed, provide an updated IPC symbol and complete the Action column with “UPDATED.”
- For a (D) CPC entry or indexing entry complete the Action column with “DELETE.” IPC symbol does not need to be included in the IPC column.
- For an (N) 2000 series CPC entry which is positioned within the main trunk scheme (breakdown code) provide an IPC symbol and complete the action column with “NEW”.
- For an (N) 2000 series CPC entry positioned at the end of the CPC scheme (orthogonal code), with no IPC equivalent, complete the IPC column with “CPCONLY” and complete the action column with “NEW”.

NOTES:

- F symbols are not included in the CICL table above.
- T and M symbols are not included in the CICL table above unless a change to the existing IPC is desired.