

EUROPEAN PATENT OFFICE
U.S. PATENT AND TRADEMARK OFFICE

CPC NOTICE OF CHANGES 768

DATE: JANUARY 1, 2020

PROJECT RP0619

The following classification changes will be effected by this Notice of Changes:

<u>Action</u>	<u>Subclass</u>	<u>Group(s)</u>
SCHEME:		
Symbols Deleted Pending Reclassification: (frozen (F))	A24F	47/002, 47/004, 47/006, 47/008
Symbols New:	A24C	5/01
	A24D	1/20, 1/22
	A24D	3/17
	A24F	15/01, 15/015
	A24F	40/00, 40/05, 40/10, 40/20, 40/30, 40/40, 40/42, 40/44, 40/46, 40/465, 40/48, 40/485, 40/49, 40/50, 40/51, 40/53, 40/57, 40/60, 40/65, 40/70, 40/80, 40/85, 40/90, 40/95
	A24F	42/00, 42/10, 42/20, 42/60, 42/80, 42/90
Titles Changed:	A24	CLASS
	A24B	15/00, 15/167
	A24C	5/32, 5/47, 5/52, 5/56
	A24D	3/00, 3/048
	A24F	SUBCLASS
	A24F	1/00
	A24F	13/04, 13/30
	A24F	15/00, 15/005, 15/02
	A24F	25/00
	A24F	27/00, 27/08, 27/14
	A24F	47/00
Warnings Deleted:	A24F	SUBCLASS
Warnings New:	A24B	3/14
	A24C	5/01, 5/3406
	A24D	1/00, 1/14, 1/20, 1/22
	A24D	3/04, 3/17

CPC NOTICE OF CHANGES 768

DATE: JANUARY 1, 2020

PROJECT RP0619

<u>Action</u>	<u>Subclass</u>	<u>Group(s)</u>
	A24F	15/00, 15/01,15/04, 15/06, 15/08, 15/12, 15/20
	A24F	40/00, 40/05, 40/10, 40/20, 40/30, 40/40, 40/50,40/60, 40/65, 40/70, 40/80, 40/85, 40/90
	A24F	42/00, 42/10, 42/20, 42/60, 42/80, 42/90
	A24F	47/00, 47/002, 47/004, 47/006, 47/008
Notes New:	A24	CLASS
Guidance Headings Deleted:	A24F	19/00 - 47/008
Guidance Headings New:	A24F	40/00 - 42/90
DEFINITIONS:		
Definitions New:	A24C	5/32, 5/47, 5/52, 5/56
	A24D	1/20, 1/22
	A24F	13/04
	A24F	27/08, 27/14
Definitions Modified:	A24B	15/00
	A24C	SUBCLASS
	A24C	1/00
	A24C	5/00
	A24D	SUBCLASS
	A24D	1/00
	A24D	3/04, 3/048
	A24F	SUBCLASS
	A24F	15/00, 15/02
	A24F	25/00
	A24F	27/00
	A24F	47/00

The following subclasses/groups are also impacted by this Notice of Changes: A61M, H05B

This Notice of Changes includes the following [Check the ones included]:

1. CLASSIFICATION SCHEME CHANGES

- A. New, Modified or Deleted Group(s)
- B. New, Modified or Deleted Warning(s)
- C. New, Modified or Deleted Note(s)

CPC NOTICE OF CHANGES 768

DATE: JANUARY 1, 2020

PROJECT RP0619

D. New, Modified or Deleted Guidance Heading(s)

2. DEFINITIONS

A. New or Modified Definitions (Full definition template)

B. Modified or Deleted Definitions (Definitions Quick Fix)

3. REVISION CONCORDANCE LIST (RCL)

4. CHANGES TO THE CPC-TO-IPC CONCORDANCE LIST (CICL)

5. CHANGES TO THE CROSS-REFERENCE LIST (CRL)

CPC NOTICE OF CHANGES 768

DATE: JANUARY 1, 2020

PROJECT RP0619

1. CLASSIFICATION SCHEME CHANGES

A. New, Modified or Deleted Group(s)

CLASS A24 - TOBACCO; CIGARS; CIGARETTES; SMOKERS' REQUISITES

<u>Type*</u>	<u>Symbol</u>	<u>Indent Level Number of dots (e.g. 0, 1, 2)</u>	<u>Title</u> <u>“CPC only” text should normally be enclosed in {curly brackets}**</u>	<u>Transferred to#</u>
M	A24	CLASS	TOBACCO; CIGARS; CIGARETTES; SIMULATED SMOKING DEVICES; SMOKERS' REQUISITES	

SUBCLASS A24B - MANUFACTURE OR PREPARATION OF TOBACCO FOR SMOKING OR CHEWING; TOBACCO; SNUFF

<u>Type*</u>	<u>Symbol</u>	<u>Indent Level Number of dots (e.g. 0, 1, 2)</u>	<u>Title</u> <u>“CPC only” text should normally be enclosed in {curly brackets}**</u>	<u>Transferred to#</u>
C	A24B3/14	1	Forming reconstituted tobacco products, e.g. wrapper materials, sheets, imitation leaves, rods, cakes; Forms of such products (delustering A24C1/40; tobacco or cigarette paper D21H)	A24B3/14, A24C5/01
M	A24B 15/00	0	Chemical features or treatment of tobacco; Tobacco substitutes, e.g. in liquid form (A24B 3/00 takes precedence)	
U	A24B 15/16	2	of tobacco substitutes	
M	A24B 15/167	3	in liquid or vaporisable form, e.g. liquid compositions for electronic cigarettes	

SUBCLASS A24C - MACHINES FOR MAKING CIGARS OR CIGARETTES

<u>Type*</u>	<u>Symbol</u>	<u>Indent Level Number of dots (e.g. 0, 1, 2)</u>	<u>Title</u> <u>“CPC only” text should normally be enclosed in {curly brackets}**</u>	<u>Transferred to#</u>
U	A24C 5/00	0	Making cigarettes; Making tipping materials for, or attaching filters or mouthpieces to, cigars or cigarettes	
U	A24C5/007	2	{Perforating}	
N	A24C 5/01	1	Making cigarettes for simulated smoking devices	

CPC NOTICE OF CHANGES 768

DATE: JANUARY 1, 2020

PROJECT RP0619

<u>Type*</u>	<u>Symbol</u>	<u>Indent Level Number of dots (e.g. 0, 1, 2)</u>	<u>Title</u> <u>“CPC only” text should normally be enclosed in {curly brackets}**</u>	<u>Transferred to#</u>
M	A24C 5/32	1	Separating, ordering, counting or examining cigarettes (in relation to packaging B65B 19/00); Regulating the feeding of tobacco according to rod or cigarette condition	
U	A24C 5/34	2	Examining cigarettes or the rod, e.g. for regulating the feeding of tobacco; Removing defective cigarettes	
C	A24C5/3406	3	{Controlling cigarette combustion}	A24C5/3406, A24F40/80, A24F 42/90
M	A24C 5/47	1	Attaching filters or mouthpieces to cigars or cigarettes, e.g. inserting filters into cigarettes or their mouthpieces (A24C 5/52 takes precedence)	
M	A24C 5/52	1	Incorporating filters or mouthpieces into a cigarette rod or a tobacco rod	
M	A24C 5/56	1	Making tipping materials, e.g. sheet cork for mouthpieces of cigars or cigarettes, by mechanical means	

SUBCLASS A24D - CIGARS; CIGARETTES; TOBACCO SMOKE FILTERS; MOUTHPIECES FOR CIGARS OR CIGARETTES; MANUFACTURE OF TOBACCO SMOKE FILTERS OR MOUTHPIECES

<u>Type*</u>	<u>Symbol</u>	<u>Indent Level Number of dots (e.g. 0, 1, 2)</u>	<u>Title</u> <u>“CPC only” text should normally be enclosed in {curly brackets}**</u>	<u>Transferred to#</u>
C	A24D 1/00	0	Cigars; Cigarettes	A24D 1/00, A24D 1/20, A24D1/22
C	A24D1/14	1	Tobacco cartridges for pipes	A24D1/14, A24D 1/20
U	A24D1/18	1	Selection of materials, other than tobacco, suitable for smoking	
N	A24D 1/20	1	Cigarettes specially adapted for simulated smoking devices	
N	A24D 1/22	1	Cigarettes with integrated combustible heat sources, e.g. with carbonaceous heat sources	
M	A24D 3/00	0	Tobacco smoke filters, e.g. filter-tips, filtering inserts; Filters specially adapted for simulated smoking devices; Mouthpieces for cigars or cigarettes (for pipes, for cigar or cigarette holders A24F 7/00)	
U	A24D3/0287	3	{for composite filters}	

CPC NOTICE OF CHANGES 768

DATE: JANUARY 1, 2020

PROJECT RP0619

<u>Type*</u>	<u>Symbol</u>	<u>Indent Level Number of dots (e.g. 0, 1, 2)</u>	<u>Title</u> <u>“CPC only” text should normally be enclosed in {curly brackets}**</u>	<u>Transferred to#</u>
C	A24D3/04	1	Tobacco smoke filters characterised by their shape or structure	A24D3/04, A24D3/17
C	A24D3/041	2	{with adjustable means for modifying the degree of filtration of the filter}	A24D3/041, A24D3/17
C	A24D3/043	2	{with ventilation means, e.g. air dilution (A24D3/041 takes precedence)}	A24D3/043, A24D3/17
C	A24D3/045	2	{with smoke acceleration means, e.g. impact-filters}	A24D3/045, A24D3/17
C	A24D3/046	2	{with electrical or magnetical filtering means}	A24D3/046, A24D3/17
C	A24D3/048	2	{containing additives}	A24D3/048, A24D3/17
U	A24D3/166	3	{Silicic acid or silicates}	
N	A24D 3/17	1	Filters specially adapted for simulated smoking devices	

SUBCLASS A24F - SMOKERS' REQUISITES; MATCH BOXES (lighters F23Q)

<u>Type*</u>	<u>Symbol</u>	<u>Indent Level Number of dots (e.g. 0, 1, 2)</u>	<u>Title</u> <u>“CPC only” text should normally be enclosed in {curly brackets}**</u>	<u>Transferred to#</u>
M	A24F	Subclass	SMOKERS' REQUISITES; MATCH BOXES; SIMULATED SMOKING DEVICES (inhaling appliances for medical purposes, shaped like cigars, cigarettes or pipes A61M 15/06)	
M	A24F 1/00	0	Tobacco pipes	
M	A24F 13/04	2	with arrangements for cleaning or cooling the smoke	
U	A24F 13/24	1	Cigar cutters, slitters, or perforators, e.g. combined with lighters	
M	A24F 13/30	1	Arrangements for producing smoke images or rings	
C	A24F 15/00	0	Receptacles or boxes specially adapted for cigars, cigarettes, simulated smoking devices or cigarettes therefor (adaptations for use in vehicles B60N 3/12; packages specially adapted for cigarettes B65D 85/10)	A24F 15/00, A24F 15/01, A24F 15/015
M	A24F15/005	1	{with means for limiting the frequency of smoking, e.g. with time-control, counting means}	

CPC NOTICE OF CHANGES 768

DATE: JANUARY 1, 2020

PROJECT RP0619

<u>Type*</u>	<u>Symbol</u>	<u>Indent Level Number of dots (e.g. 0, 1, 2)</u>	<u>Title</u> <u>“CPC only” text should normally be enclosed in {curly brackets}**</u>	<u>Transferred to#</u>
N	A24F 15/01	1	pecially adapted for simulated smoking devices or cigarettes therefor (battery charging means structurally associated with the case A24F 40/95)	
N	A24F 15/015	2	with means for refilling of liquid inhalable precursors	
M	A24F15/02	1	for domestic use {(A24F15/005 takes precedence)}	
C	A24F15/04	2	with appliances for releasing a single cigar or cigarette	A24F15/04, A24F 15/01, A24F 15/015
C	A24F15/06	2	with means for offering (A24F15/04 takes precedence)	A24F15/06, A24F 15/01, A24F 15/015
C	A24F15/08	2	combined with other objects	A24F15/08, A24F 15/01, A24F 15/015
U	A24F15/10	3	with lighters	
C	A24F15/12	1	for pocket use {(A24F15/005 takes precedence)}	A24F15/12, A24F 15/01, A24F 15/015
C	A24F15/14	2	with appliances for releasing a single cigar or cigarette	A24F15/14, A24F 15/01, A24F 15/015
C	A24F15/16	2	with means for offering (A24F15/14 takes precedence)	A24F15/16, A24F 15/01, A24F 15/015
C	A24F15/18	2	combined with other objects	A24F15/18, A24F 15/01, A24F 15/015
C	A24F15/20	1	with separate compartments for each cigar or cigarette {(A24F15/005 takes precedence)}	A24F15/20, A24F 15/01, A24F 15/015
U	A24F 17/00	0	Receptacles for cigarette papers	
M	A24F 25/00	0	Devices used by the smoker for controlling the moisture content of, or for scenting, cigars, cigarettes or tobacco	
M	A24F 27/00	0	Match receptacles or boxes (composition of strike-surfaces, matches C06F)	
M	A24F 27/08	1	Stands for match-boxes	
M	A24F 27/14	1	Match dispensers; Dispensers for matches arranged on strips	
U	A24F 31/00	0	Pipe-spills; Devices for splitting matches	
N	A24F 40/00	0	Electrically operated smoking devices; Component parts thereof; Manufacture thereof; Maintenance or testing thereof; Charging means specially adapted therefor	
N	A24F 40/05	1	Devices without heating means	
N	A24F 40/10	1	Devices using liquid inhalable precursors	
N	A24F 40/20	1	Devices using solid inhalable precursors	
N	A24F 40/30	1	Devices using two or more structurally separated inhalable precursors, e.g. using two liquid precursors in two cartridges	

CPC NOTICE OF CHANGES 768

DATE: JANUARY 1, 2020

PROJECT RP0619

<u>Type*</u>	<u>Symbol</u>	<u>Indent Level Number of dots (e.g. 0, 1, 2)</u>	<u>Title</u> <u>“CPC only” text should normally be enclosed in {curly brackets}**</u>	<u>Transferred to#</u>
N	A24F 40/40	1	Constructional details, e.g. connection of cartridges and battery parts	
N	A24F 40/42	2	Cartridges or containers for inhalable precursors	
N	A24F 40/44	2	Wicks	
N	A24F 40/46	2	Shape or structure of electric heating means	
N	A24F 40/465	3	specially adapted for induction heating	
N	A24F 40/48	2	Fluid transfer means, e.g. pumps	
N	A24F 40/485	3	Valves; Apertures	
N	A24F 40/49	2	Child proofing	
N	A24F 40/50	1	Control or monitoring	
N	A24F 40/51	2	Arrangement of sensors	
N	A24F 40/53	2	Monitoring, e.g. fault detection	
N	A24F 40/57	2	Temperature control	
N	A24F 40/60	1	Devices with integrated user interfaces	
N	A24F 40/65	1	Devices with integrated communication means, e.g. Wi-Fi	
N	A24F 40/70	1	Manufacture	
N	A24F 40/80	1	Testing	
N	A24F 40/85	1	Maintenance, e.g. cleaning	
N	A24F 40/90	1	Arrangements or methods specially adapted for charging batteries thereof	
N	A24F 40/95	2	structurally associated with cases	
N	A24F 42/00	0	Simulated smoking devices other than electrically operated; Component parts thereof; Manufacture or testing thereof	
N	A24F 42/10	1	Devices with chemical heating means	
N	A24F 42/20	1	Devices without heating means	
N	A24F 42/60	1	Constructional details	
N	A24F 42/80	1	Manufacture	
N	A24F 42/90	1	Testing	
C	A24F 47/00	0	Smokers' requisites not otherwise provided for	A24F 47/00, A24D 3/17, A24F 15/00, A24F 15/01, A24F 15/015, A24F 40/00, A24F 40/05, A24F 40/10, A24F 40/20, A24F 40/30, A24F 40/40, A24F 40/42, A24F 40/44, A24F 40/46, A24F 40/465, A24F 40/48, A24F 40/485, A24F 40/49, A24F 40/50, A24F 40/51, A24F 40/53, A24F 40/57, A24F 40/60, A24F 40/65, A24F 40/70, A24F 40/80, A24F 40/85, A24F 40/90, A24F 40/95, A24F 42/00,

CPC NOTICE OF CHANGES 768

DATE: JANUARY 1, 2020

PROJECT RP0619

<u>Type*</u>	<u>Symbol</u>	<u>Indent Level Number of dots (e.g. 0, 1, 2)</u>	<u>Title</u> <u>“CPC only” text should normally be enclosed in {curly brackets}**</u>	<u>Transferred to#</u>
				A24F 42/20, A24F 42/60, A24F 42/80, A24F 42/90
F	A24F47/002	1	{ Simulated smoking devices, e.g. imitation cigarettes (inhaling appliances for medical use shaped like cigars, cigarettes or pipes A61M15/06) }	A24D 3/17, A24F 15/00, A24F 15/01, A24F 15/015, A24F 40/00, A24F 40/05, A24F 40/10, A24F 40/20, A24F 40/30, A24F 40/40, A24F 40/42, A24F 40/44, A24F 40/46, A24F 40/465, A24F 40/48, A24F 40/485, A24F 40/49, A24F 40/50, A24F 40/51, A24F 40/53, A24F 40/57, A24F 40/60, A24F 40/65, A24F 40/70, A24F 40/80, A24F 40/85, A24F 40/90, A24F 40/95, A24F 42/00, A24F 42/20, A24F 42/60, A24F 42/80, A24F 42/90
F	A24F47/004	2	{ with heating means, e.g. carbon fuel (chemical features A24B15/165) }	A24D 3/17, A24C 5/01, A24D 1/22, A24F 15/00, A24F 15/01, A24F 15/015, A24F 40/00, A24F 40/05, A24F 40/10, A24F 40/20, A24F 40/30, A24F 40/40, A24F 40/42, A24F 40/44, A24F 40/46, A24F 40/465, A24F 40/48, A24F 40/485, A24F 40/49, A24F 40/50, A24F 40/51, A24F 40/53, A24F 40/57, A24F 40/60, A24F 40/65, A24F 40/70, A24F 40/80, A24F 40/85, A24F 40/90, A24F 40/95, A24F 42/00, A24F 42/10, A24F 42/60, A24F 42/80, A24F 42/90
F	A24F47/006	3	{ with chemical heating means }	A24D 3/17, A24C 5/01, A24D 1/22, A24F 15/00, A24F 15/01, A24F 15/015, A24F 42/00, A24F 42/10, A24F 42/60, A24F 42/80, A24F 42/90
F	A24F47/008	3	{ with electrical heating means }	A24D 3/17, A24C 5/01, A24D 1/22, A24F 15/00, A24F 15/01, A24F 15/015, A24F 40/00, A24F 40/05, A24F 40/10, A24F 40/20,

CPC NOTICE OF CHANGES 768

DATE: JANUARY 1, 2020

PROJECT RP0619

<u>Type*</u>	<u>Symbol</u>	<u>Indent Level Number of dots (e.g. 0, 1, 2)</u>	<u>Title</u> “CPC only” text should normally be enclosed in {curly brackets}**	<u>Transferred to#</u>
				A24F 40/30, A24F 40/40, A24F 40/42, A24F 40/44, A24F 40/46, A24F 40/465, A24F 40/48, A24F 40/485, A24F 40/49, A24F 40/50, A24F 40/51, A24F 40/53, A24F 40/57, A24F 40/60, A24F 40/65, A24F 40/70, A24F 40/80, A24F 40/85, A24F 40/90, A24F 40/95

*N = new entries where reclassification into entries is involved; C = entries with modified file scope where reclassification of documents from the entries is involved; Q = new entries which are firstly populated with documents via administrative transfers from deleted (D) entries. Afterwards, the transferred documents into the Q entry will either stay or be moved to more appropriate entries, as determined by intellectual reclassification; T= existing entries with enlarged file scope, which receive documents from C or D entries, e.g. when a limiting reference is removed from the entry title; M = entries with no change to the file scope (no reclassification); D = deleted entries; F = frozen entries will be deleted once reclassification of documents from the entries is completed; U = entries that are unchanged.

NOTES:

- **No {curly brackets} are used for titles in CPC only subclasses, e.g. C12Y, A23Y; 2000 series symbol titles of groups found at the end of schemes (orthogonal codes); or the Y section titles. The {curly brackets} are used for 2000 series symbol titles found interspersed throughout the main trunk schemes (breakdown codes).
- U groups: it is obligatory to display the required “anchor” symbol (U group), i.e. the entry immediately preceding a new group or an array of new groups to be created (in case new groups are not clearly subgroups of C-type groups). Always include the symbol, indent level and title of the U group in the table above.
- All entry types should be included in the scheme changes table above for better understanding of the overall scheme change picture. Symbol, indent level, and title are required for all types .
- “Transferred to” column must be completed for all C, D, F, and Q type entries. F groups will be deleted once reclassification is completed.
- When multiple symbols are included in the “Transferred to” column, avoid using ranges of symbols in order to be as precise as possible.
- For administrative transfer of documents, the following text should be used: “< administrative transfer to XX>”, “<administrative transfer to XX and YY simultaneously>”, or “<administrative transfer to XX, YY, ...and ZZ simultaneously>” when administrative transfer of the same documents is to more than one place.
- Administrative transfer to main trunk groups is assumed to be the source allocation type, unless otherwise indicated.
- Administrative transfer to 2000/Y series groups is assumed to be “additional information”.
- If needed, instructions for allocation type should be indicated within the angle brackets using the abbreviations “ADD” or “INV”: <administrative transfer to XX ADD> , <administrative transfer to XX INV>, or < administrative transfer to XX ADD, YY INV, ... and ZZ ADD simultaneously>.
- In certain situations, the “D” entries of 2000-series or Y-series groups may not require a destination (“Transferred to”) symbol, however it is required to specify “<no transfer>” in the “Transferred to” column for such cases.
- For finalisation projects, the deleted “F” symbols should have <no transfer> in the “Transferred to” column.
- For more details about the types of scheme change, see CPC Guide.

CPC NOTICE OF CHANGES 768

DATE: JANUARY 1, 2020

PROJECT RP0619

B. New, Modified or Deleted Warning(s)

SUBCLASS A24B - MANUFACTURE OR PREPARATION OF TOBACCO FOR SMOKING OR CHEWING; TOBACCO; SNUFF

<u>Type*</u>	<u>Location</u>	<u>Old Warning</u>	<u>New/Modified Warning</u>
N	A24B 3/14		Group A24B 3/14 is impacted by reclassification into group A24C 5/01. Groups A24B 3/14 and A24C 5/01 should be considered in order to perform a complete search.

SUBCLASS A24C - MACHINES FOR MAKING CIGARS OR CIGARETTES

<u>Type*</u>	<u>Location</u>	<u>Old Warning</u>	<u>New/Modified Warning</u>
N	A24C 5/01		Group A24C 5/01 is incomplete pending reclassification of documents from groups A24B 3/14, A24F 47/004, A24F 47/006, and A24F 47/008. All groups listed in this Warning should be considered in order to perform a complete search.
N	A24C 5/3406		Group A24C 5/3406 is impacted by reclassification into groups A24F 40/80 and A24F 42/90. Groups A24C 5/3406, A24F 40/80, and A24F 42/90 should be considered in order to perform a complete search.

SUBCLASS A24D - CIGARS; CIGARETTES; TOBACCO SMOKE FILTERS; MOUTHPIECES FOR CIGARS OR CIGARETTES; MANUFACTURE OF TOBACCO SMOKE FILTERS OR MOUTHPIECES

<u>Type*</u>	<u>Location</u>	<u>Old Warning</u>	<u>New/Modified Warning</u>
N	A24D 1/00		Group A24D 1/00 is impacted by reclassification into groups A24D 1/20 and A24D 1/22. Groups A24D 1/00, A24D 1/20, and A24D 1/22 should be considered in order to perform a complete search.
N	A24D 1/14		Group A24D 1/14 is impacted by reclassification into group A24D 1/20. Groups A24D 1/14 and A24D 1/20 should be considered in order to perform a complete search.

CPC NOTICE OF CHANGES 768

DATE: JANUARY 1, 2020

PROJECT RP0619

<u>Type*</u>	<u>Location</u>	<u>Old Warning</u>	<u>New/Modified Warning</u>
N	A24D 1/20		Group A24D 1/20 is incomplete pending reclassification of documents from groups A24D 1/00 and A24D 1/14. Groups A24D 1/00, A24D 1/14, and A24D 1/20 should be considered in order to perform a complete search.
N	A24D 1/22		Group A24D 1/22 is incomplete pending reclassification of documents from groups A24D 1/00, A24F 47/004, A24F 47/006, and A24F 47/008. All groups listed in this Warning should be considered in order to perform a complete search.
N	A24D 3/04		Groups A24D 3/04, A24D 3/041, A24D 3/043, A24D 3/045, A24D 3/046 and A24D 3/048 are impacted by reclassification into group A24D 3/17. All groups listed in this Warning should be considered in order to perform a complete search.
N	A24D 3/17		Group A24D 3/17 is incomplete pending reclassification of documents from groups A24D 3/04, A24D 3/041, A24D 3/043, A24D 3/045, A24D 3/046, A24D 3/048, A24F 47/00, A24F 47/002, A24F 47/004, A24F 47/006, and A24F 47/008. All groups listed in this Warning should be considered in order to perform a complete search.

SUBCLASS A24F - SMOKERS' REQUISITES; MATCH BOXES (lighters F23Q)

<u>Type*</u>	<u>Location</u>	<u>Old Warning</u>	<u>New/Modified Warning</u>
D	A24F	In this subclass non-limiting references (in the sense of paragraph 39 of the Guide to the IPC) may still be displayed in the scheme.	
N	A24F 15/00		Group A24F 15/00 is incomplete pending reclassification of documents from groups A24F 47/00, A24F 47/002, A24F 47/004, A24F 47/006, and A24F 47/008. Group A24F 15/00 is also impacted by reclassification into groups A24F 15/01 and A24F 15/015. All groups listed in this Warning should

CPC NOTICE OF CHANGES 768

DATE: JANUARY 1, 2020

PROJECT RP0619

<u>Type*</u>	<u>Location</u>	<u>Old Warning</u>	<u>New/Modified Warning</u>
			be considered in order to perform a complete search.
N	A24F 15/01		Groups A24F 15/01 and A24F 15/015 are incomplete pending reclassification of documents from groups A24F 15/00, A24F 15/04, A24F 15/06, A24F 15/08, A24F 15/12, A24F 15/14, A24F 15/16, A24F 15/18, A24F 15/20, A24F 47/00, A24F 47/002, A24F 47/004, A24F 47/006, and A24F 47/008. All groups listed in this Warning should be considered in order to perform a complete search.
N	A24F 15/04		Group A24F 15/04 is impacted by reclassification into groups A24F 15/01 and A24F 15/015. Groups A24F 15/04, A24F 15/01, and A24F 15/015 should be considered in order to perform a complete search.
N	A24F 15/06		Group A24F 15/06 is impacted by reclassification into groups A24F 15/01 and A24F 15/015. Groups A24F 15/06, A24F 15/01, and A24F 15/015 should be considered in order to perform a complete search.
N	A24F 15/08		Group A24F 15/08 is impacted by reclassification into groups A24F 15/01 and A24F 15/015. Groups A24F 15/08, A24F 15/01, and A24F 15/015 should be considered in order to perform a complete search.
N	A24F 15/12		Groups A24F 15/12, A24F 15/14, A24F 15/16 and A24F 15/18 are impacted by reclassification into groups A24F 15/01 and A24F 15/015. All groups listed in this Warning should be considered in order to perform a complete search.
N	A24F 15/20		Group A24F 15/20 is impacted by reclassification into groups A24F 15/01 and A24F 15/015. Groups A24F 15/20, A24F 15/01, and A24F 15/015 should be considered in order to perform a complete search.
N	A24F 40/00		Group A24F 40/00 is incomplete pending reclassification of documents from groups A24F 47/00, A24F 47/002, A24F 47/004, and A24F 47/008. All groups listed in this

CPC NOTICE OF CHANGES 768

DATE: JANUARY 1, 2020

PROJECT RP0619

<u>Type*</u>	<u>Location</u>	<u>Old Warning</u>	<u>New/Modified Warning</u>
			Warning should be considered in order to perform a complete search.
N	A24F 40/05		Group A24F 40/05 is incomplete pending reclassification of documents from groups A24F 47/00, A24F 47/002, A24F 47/004, and A24F 47/008. All groups listed in this Warning should be considered in order to perform a complete search.
N	A24F 40/10		Group A24F 40/10 is incomplete pending reclassification of documents from groups A24F 47/00, A24F 47/002, A24F 47/004, and A24F 47/008. All groups listed in this Warning should be considered in order to perform a complete search.
N	A24F 40/20		Group A24F 40/20 is incomplete pending reclassification of documents from groups A24F 47/00, A24F 47/002, A24F 47/004, and A24F 47/008. All groups listed in this Warning should be considered in order to perform a complete search.
N	A24F 40/30		Group A24F 40/30 is incomplete pending reclassification of documents from groups A24F 47/00, A24F 47/002, A24F 47/004, and A24F 47/008. All groups listed in this Warning should be considered in order to perform a complete search.
N	A24F 40/40		Groups A24F 40/40, A24F 40/42, A24F 40/44, A24F 40/46, A24F 40/465, A24F 40/48, A24F 40/485 and A24F 40/49 are incomplete pending reclassification of documents from groups A24F 47/00, A24F 47/002, A24F 47/004, and A24F 47/008. All groups listed in this Warning should be considered in order to perform a complete search.
N	A24F 40/50		Groups A24F 40/50, A24F 40/51, A24F 40/53 and A24F 40/57 are incomplete pending reclassification of documents from groups A24F 47/00, A24F 47/002, A24F 47/004, and A24F 47/008. All groups listed in this Warning should be considered in order to perform a complete search.
N	A24F 40/60		Group A24F 40/60 is incomplete pending reclassification of documents from groups A24F 47/00,

CPC NOTICE OF CHANGES 768

DATE: JANUARY 1, 2020

PROJECT RP0619

<u>Type*</u>	<u>Location</u>	<u>Old Warning</u>	<u>New/Modified Warning</u>
			A24F 47/002, A24F 47/004, and A24F 47/008. All groups listed in this Warning should be considered in order to perform a complete search.
N	A24F 40/65		Group A24F 40/65 is incomplete pending reclassification of documents from groups A24F 47/00, A24F 47/002, A24F 47/004, and A24F 47/008. All groups listed in this Warning should be considered in order to perform a complete search.
N	A24F 40/70		Group A24F 40/70 is incomplete pending reclassification of documents from groups A24F 47/00, A24F 47/002, A24F 47/004, and A24F 47/008. All groups listed in this Warning should be considered in order to perform a complete search.
N	A24F 40/80		Group A24F 40/80 is incomplete pending reclassification of documents from groups A24C 5/3406, A24F 47/00, A24F 47/002, A24F 47/004, and A24F 47/008. All groups listed in this Warning should be considered in order to perform a complete search.
N	A24F 40/85		Group A24F 40/85 is incomplete pending reclassification of documents from groups A24F 47/00, A24F 47/002, A24F 47/004, and A24F 47/008. All groups listed in this Warning should be considered in order to perform a complete search.
N	A24F 40/90		Group A24F 40/90 and A24F 40/95 are incomplete pending reclassification of documents from groups A24F 47/00, A24F 47/002, A24F 47/004, and A24F 47/008. All groups listed in this Warning should be considered in order to perform a complete search.
N	A24F 42/00		Group A24F 42/00 is incomplete pending reclassification of documents from groups A24F 47/00, A24F 47/002, A24F 47/004, and A24F 47/006. All groups listed in this Warning should be considered in order to perform a complete search.
N	A24F 42/10		Group A24F 42/10 is incomplete pending reclassification of documents from groups A24F 47/004 and

CPC NOTICE OF CHANGES 768

DATE: JANUARY 1, 2020

PROJECT RP0619

<u>Type*</u>	<u>Location</u>	<u>Old Warning</u>	<u>New/Modified Warning</u>
			A24F 47/006. Groups A24F 47/004, A24F 47/006, and A24F 42/10 should be considered in order to perform a complete search.
N	A24F 42/20		Group A24F 42/20 is incomplete pending reclassification of documents from groups A24F 47/00 and A24F 47/002. Groups A24F 47/00, A24F 47/002, and A24F 42/20 should be considered in order to perform a complete search.
N	A24F 42/60		Group A24F 42/60 is incomplete pending reclassification of documents from groups A24F 47/00, A24F 47/002, A24F 47/004, and A24F 47/006. All groups listed in this Warning should be considered in order to perform a complete search.
N	A24F 42/80		Group A24F 42/80 is incomplete pending reclassification of documents from groups A24F 47/00, A24F 47/002, A24F 47/004, and A24F 47/006. All groups listed in this Warning should be considered in order to perform a complete search.
N	A24F 42/90		Group A24F 42/90 is incomplete pending reclassification of documents from groups A24C 5/3406, A24F 47/00, A24F 47/002, A24F 47/004, and A24F 47/006. All groups listed in this Warning should be considered in order to perform a complete search.
N	A24F 47/00		Group A24F 47/00 is impacted by reclassification into groups A24D 3/17, A24F 15/00, A24F 15/01, A24F 15/015, A24F 40/00, A24F 40/05, A24F 40/10, A24F 40/20, A24F 40/30, A24F 40/40, A24F 40/42, A24F 40/44, A24F 40/46, A24F 40/465, A24F 40/48, A24F 40/485, A24F 40/49, A24F 40/50, A24F 40/51, A24F 40/53, A24F 40/57, A24F 40/60, A24F 40/65, A24F 40/70, A24F 40/80, A24F 40/85, A24F 40/90, A24F 40/95, A24F 42/00, A24F 42/20, A24F 42/60, A24F 42/80, and A24F 42/90. All groups listed in this Warning should

CPC NOTICE OF CHANGES 768

DATE: JANUARY 1, 2020

PROJECT RP0619

<u>Type*</u>	<u>Location</u>	<u>Old Warning</u>	<u>New/Modified Warning</u>
N	A24F 47/002		<p>be considered in order to perform a complete search.</p> <p>Group A24F 47/002 is no longer used for the classification of documents as of January 1, 2020. The content of this group is being reclassified into groups A24D 3/17, A24F 15/00, A24F 15/01, A24F 15/015, A24F 40/00, A24F 40/05, A24F 40/10, A24F 40/20, A24F 40/30, A24F 40/40, A24F 40/42, A24F 40/44, A24F 40/46, A24F 40/465, A24F 40/48, A24F 40/485, A24F 40/49, A24F 40/50, A24F 40/51, A24F 40/53, A24F 40/57, A24F 40/60, A24F 40/65, A24F 40/70, A24F 40/80, A24F 40/85, A24F 40/90, A24F 40/95, A24F 42/00, A24F 42/20, A24F 42/60, A24F 42/80, and A24F 42/90. All groups listed in this Warning should be considered in order to perform a complete search.</p>
N	A24F 47/004		<p>Group A24F 47/004 is no longer used for the classification of documents as of January 1, 2020. The content of this group is being reclassified into groups A24D 3/17, A24C 5/01, A24D 1/22, A24F 15/00, A24F 15/01, A24F 15/015, A24F 40/00, A24F 40/05, A24F 40/10, A24F 40/20, A24F 40/30, A24F 40/40, A24F 40/42, A24F 40/44, A24F 40/46, A24F 40/465, A24F 40/48, A24F 40/485, A24F 40/49, A24F 40/50, A24F 40/51, A24F 40/53, A24F 40/57, A24F 40/60, A24F 40/65, A24F 40/70, A24F 40/80, A24F 40/85, A24F 40/90, A24F 40/95, A24F 42/00, A24F 42/10, A24F 42/60, A24F 42/80, and A24F 42/90. All groups listed in this Warning should be considered in order to perform a complete search.</p>

CPC NOTICE OF CHANGES 768

DATE: JANUARY 1, 2020

PROJECT RP0619

<u>Type*</u>	<u>Location</u>	<u>Old Warning</u>	<u>New/Modified Warning</u>
N	A24F 47/006		Group A24F 47/006 is no longer used for the classification of documents as of January 1, 2020. The content of this group is being reclassified into groups A24D 3/17, A24C 5/01, A24D 1/22, A24F 15/00, A24F 15/01, A24F 15/015, A24F 42/00, A24F 42/10, A24F 42/60, A24F 42/80, and A24F 42/90. All groups listed in this Warning should be considered in order to perform a complete search.
N	A24F 47/008		Group A24F 47/008 is no longer used for the classification of documents as of January 1, 2020. The content of this group is being reclassified into groups A24D 3/17, A24C 5/01, A24D 1/22, A24F 15/00, A24F 15/01, A24F 15/015, A24F 40/00, A24F 40/05, A24F 40/10, A24F 40/20, A24F 40/30, A24F 40/40, A24F 40/42, A24F 40/44, A24F 40/46, A24F 40/465, A24F 40/48, A24F 40/485, A24F 40/49, A24F 40/50, A24F 40/51, A24F 40/53, A24F 40/57, A24F 40/60, A24F 40/65, A24F 40/70, A24F 40/80, A24F 40/85, A24F 40/90, and A24F 40/95. All groups listed in this Warning should be considered in order to perform a complete search.

*N = new warning, M = modified warning, D = deleted warning

NOTE: The "Location" column only requires the symbol PRIOR to the location of the warning. No further directions such as "before" or "after" are required.

CPC NOTICE OF CHANGES 768

DATE: JANUARY 1, 2020

PROJECT RP0619

C. New, Modified or Deleted Note(s)

CLASS A24 - SMOKERS' REQUISITES; MATCH BOXES (lighters F23Q)

<u>Type*</u>	<u>Location</u>	<u>Old Note</u>	<u>New/Modified Note</u>
N	A24		<p>In this class, the following terms or expressions are used with the meaning indicated:</p> <ol style="list-style-type: none"> 1. “simulated smoking devices” means devices simulating the act of smoking without burning tobacco, e.g. so called electronic cigarettes; <ul style="list-style-type: none"> • “cigarette” means: <ol style="list-style-type: none"> a. a small tube of wrapper containing tobacco or tobacco substitutes which people smoke by igniting it directly and where the tobacco (or the tobacco substitute) is burned; b. in a broader sense it also means a small tube of wrapper, containing tobacco or tobacco substitutes, which is associated with a heat source at manufacturing or inserted by the user in a device containing a heat source and where the tobacco (or the tobacco substitute) is heated without being burned. In this broader sense, the word “rod” often also is used in place of cigarette.

*N = new note, M = modified note, D = deleted note

NOTE: The “Location” column only requires the symbol PRIOR to the location of the note. No further directions such as “before” or “after” are required.

CPC NOTICE OF CHANGES 768

DATE: JANUARY 1, 2020

PROJECT RP0619

D. New, Modified or Deleted Guidance Heading(s)

SUBCLASS A24F - SMOKERS' REQUISITES; MATCH BOXES (lighters F23Q)

<u>Type*</u>	<u>Location</u>	<u>Old Guidance Heading</u>	<u>New/Modified Guidance Heading</u>
D	A24F 19/00 - A24F 47/008	Other smokers' requisites	
N	A24F 40/00 – A24F 42/90		<u>Insert the following new Guidance Heading:</u> Simulated smoking devices

*N = new guidance heading, M =modified guidance heading, D = deleted guidance heading

NOTES:

- The "Location" column requires the symbol AFTER the guidance heading location. No further directions such as "before" or "after" are required.
- In cases where there may be confusion as to whether a new group falls within the scope of a guidance heading, indicate the guidance heading and whether the group does or does not go with the guidance heading. This can be included in the "Location" column. For example, the guidance heading "Compounds containing carbon together with sulfur, selenium or tellurium with or without hydrogen, halogens, oxygen or nitrogen" encompasses groups C07C 301/00-395/00 only. If a new group C07C 398/00 is proposed and is included in the guidance heading scope, indicate this in the "Location" column as follows: 398/00 to be included under the guidance heading: "Compounds containing carbon together with sulfur, selenium or tellurium with or without hydrogen, halogens, oxygen or nitrogen."

DATE: JANUARY 1, 2020

PROJECT RP0619

2. A. DEFINITIONS (new)

Insert the following new Definitions.

A24C5/32

References

Limiting References:

This place does not cover:

Separating, ordering, counting or examining cigarettes in relation to packaging	B65B 19/00
---	------------

Informative references:

Attention is drawn to the following places, which may be of interest for search:

Investigating or analysing materials by determining their chemical or physical properties	G01N
Controlling in general	G05

DATE: JANUARY 1, 2020

PROJECT RP0619

A24C5/47

References

Limiting References:

This place does not cover:

Incorporating filters or mouthpieces into a cigarette rod or a tobacco rod	A24C5/52
--	--------------------------

Informative references:

Attention is drawn to the following places, which may be of interest for search:

Filters, their manufacture, mouthpieces	A24D3/00
---	--------------------------

CPC NOTICE OF CHANGES 768

DATE: JANUARY 1, 2020

PROJECT RP0619

A24C5/52

References

Informative references:

Attention is drawn to the following places, which may be of interest for search:

Filters, their manufacture, mouthpieces	A24D3/00
---	--------------------------

CPC NOTICE OF CHANGES 768

DATE: JANUARY 1, 2020

PROJECT RP0619

A24C5/56

References

Informative references:

Attention is drawn to the following places, which may be of interest for search:

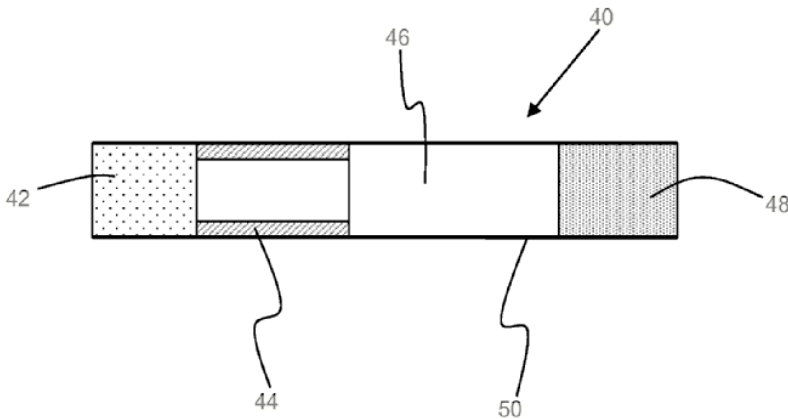
Chemical part of making tipping material	C08
Wrapping papers for cigarettes	D21H

A24D1/20

Definition statement

This place covers:

Cigarettes to be inserted into simulated smoking devices where the cigarettes are heated by a heat source of the device.



Legend:

- 40: cigarette
- 42: tobacco or tobacco substitute segment
- 44: hollow tube
- 46: filter
- 48: mouthpiece
- 50: wrapper

References

Informative references:

Attention is drawn to the following places, which may be of interest for search:

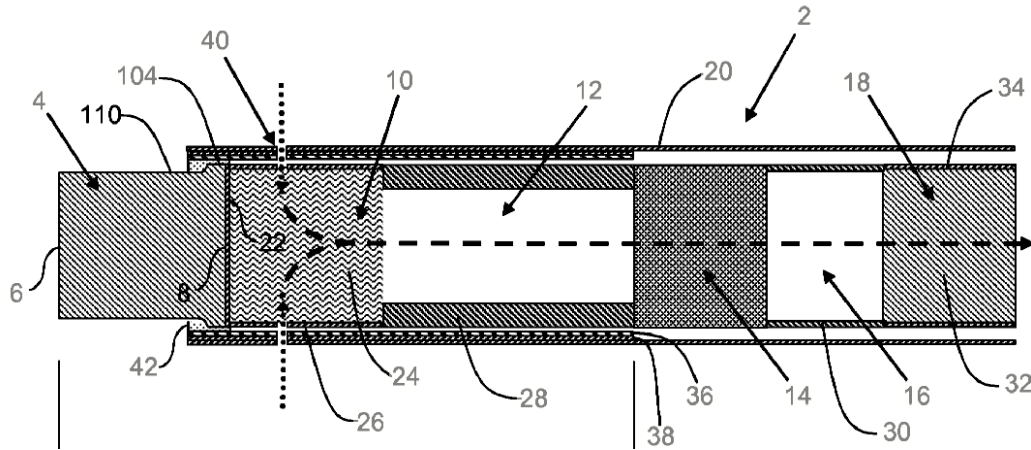
Making cigarettes for simulated smoking devices	A24C 5/01
Simulated smoking devices	A24F 40/00 , A24F 42/00

A24D1/22

Definition statement

This place covers:

Cigarettes with an integrated combustable heat source which heats the tobacco (substitute) without burning it (to produce an aerosol) in the act of simulated smoking



Legend:

- 2: cigarette
- 4: heat source
- 10: tobacco or tobacco substitute segment
- 12: hollow tube
- 14: aerosol cooling element
- 16: spacer
- 18: mouthpiece, filter
- 20: wrapper

CPC NOTICE OF CHANGES 768

DATE: JANUARY 1, 2020

PROJECT RP0619

A24F13/04

References

Informative references:

Attention is drawn to the following places, which may be of interest for search:

Hookahs	A24F1/30
---------	--------------------------

CPC NOTICE OF CHANGES 768

DATE: JANUARY 1, 2020

PROJECT RP0619

A24F27/08

References

Informative references:

Attention is drawn to the following places, which may be of interest for search:

Receptacles for matches or match-boxes to be supported on the wall	A24F27/10
--	---------------------------

CPC NOTICE OF CHANGES 768

DATE: JANUARY 1, 2020

PROJECT RP0619

A24F27/14

References

Informative references:

Attention is drawn to the following places, which may be of interest for search:

Dispensing aspects in general	B65D 83/00
-------------------------------	----------------------------

DATE: JANUARY 1, 2020

PROJECT RP0619

2. A. DEFINITIONS (modified)

A24C

Insert: the following **new** Glossary of terms section.

Glossary of terms

In this place, the following terms or expressions are used with the meaning indicated:

Cigarette	“cigarette” means: (1) a small tube of wrapper containing tobacco or tobacco substitutes which people smoke by igniting it directly and where the tobacco (or the tobacco substitute) is burned; (2) in a broader sense it also means a small tube of wrapper containing tobacco or tobacco substitutes which is associated with a heat source at manufacturing or inserted by the user in a device containing a heat source, and where the tobacco (or the tobacco substitute) is heated without being burned. In this broader sense, the word “rod” is also often used in place of cigarette.
Simulated smoking device	“simulated smoking devices” means devices simulating the act of smoking without burning tobacco, e.g. so called electronic cigarettes

A24D

Insert: the following **new** Glossary of terms section.

Glossary of terms

In this place, the following terms or expressions are used with the meaning indicated:

Cigarette	“cigarette” means: (1) a small tube of wrapper containing tobacco or tobacco substitutes which people smoke by igniting it directly and where the tobacco (or the tobacco substitute) is burned; (2) in a broader sense it also means a small tube of wrapper containing tobacco or tobacco substitutes which is associated with a heat source at manufacturing or inserted by the user in a device containing a heat source, and where the tobacco
-----------	---

CPC NOTICE OF CHANGES 768

DATE: JANUARY 1, 2020

PROJECT RP0619

	(or the tobacco substitute) is heated without being burned. In this broader sense, the word “rod” is also often used in place of cigarette.
Simulated smoking device	“simulated smoking devices” means devices simulating the act of smoking without burning tobacco, e.g. so called electronic cigarettes

CPC NOTICE OF CHANGES 768

DATE: JANUARY 1, 2020

PROJECT RP0619

2. B. DEFINITIONS QUICK FIX

<u>Symbol</u>	<u>Location of change</u> (e.g., section title)	<u>Existing reference symbol or text</u>	<u>Action; New symbol; New text</u>
A24B15/00	Limiting references	A24D1/02	Delete this reference from the Limiting references table.
A24B15/00	Special rules of classification	A24D1/02	Replace the existing text with the following. Chemical features of cigarette wrappers, including indirect addition of an additive in the wrapper or tipping paper are classified in A24D 1/02 .
A24C1/00	Limiting references	A24F47/002	Delete the entire row from the Limiting references table.
A24C5/00	Limiting references		Delete the entire Limiting references section.
A24C5/00			Insert a new Informative references section with the following text: Informative references <i>Attention is drawn to the following places, which may be of interest for search:</i> Cigarettes as products per se are classified in A24D1/00 Making filters is classified in A24D3/02
A24D1/00	Limiting references		Delete the entire Limiting references section.
A24D1/00	Informative references		Insert the following two new references in the Informative references table: Manufacture of cigars or cigarettes A24C Simulated smoking devices A24F40/00 , A24F42/00
A24D3/04	Limiting references		Delete the entire Limiting references section.

CPC NOTICE OF CHANGES 768

DATE: JANUARY 1, 2020

PROJECT RP0619

<u>Symbol</u>	<u>Location of change</u> (e.g., section title)	<u>Existing reference symbol or text</u>	<u>Action; New symbol; New text</u>
A24D3/04			<p>Insert a new Special rules of classification section with the following text:</p> <p>Special rules of classification</p> <p>Manufacture of tobacco smoke filters is classified in A24D3/02</p> <p>Chemical aspects of filter materials are classified in A24D3/06</p>
A24D3/048	Limiting references		Delete the entire Limiting references section.
A24D3/048			<p>Insert a new Informative references section with the following text:</p> <p>Informative references</p> <p><i>Attention is drawn to the following places, which may be of interest for search:</i></p> <p>Additive composition A24D3/061</p>
A24F	Definition statement		<p>Replace text “Imitation cigarettes” with the following text:</p> <p>Simulated smoking devices</p>
A24F	Limiting references	F23Q	Delete the entire reference from the Limiting references table.
A24F	Limiting references		<p>Insert the following new reference in the Limiting references table.</p> <p>Inhaling appliances for medical purposes, shaped like cigars, cigarettes or pipes A61M15/06</p>
A24F			Insert a new Informative references section with the following text:

CPC NOTICE OF CHANGES 768

DATE: JANUARY 1, 2020

PROJECT RP0619

<u>Symbol</u>	<u>Location of change</u> (e.g., section title)	<u>Existing reference symbol or text</u>	<u>Action; New symbol; New text</u>
			<p>Informative references</p> <p><i>Attention is drawn to the following places, which may be of interest for search:</i></p> <p>Lighters F23Q</p>
A24F15/00	Limiting references	B65D	<p>Replace the existing reference with the following.</p> <p>Packages specially adapted for cigarettes B65D 85/10</p>
A24F15/00	Limiting references		<p>Insert the following new reference in the Limiting references section.</p> <p>Adaptations of receptacles or boxes for use in vehicles B60N 3/12</p>
A24F15/02	Limiting references	B60N3/12	<p>Delete the entire reference from the Limiting references table.</p>
A24F25/00	Limiting references		<p>Delete the entire Limiting references section.</p>
A24F25/00			<p>Insert a new Informative references section with the following text:</p> <p>Informative references</p> <p><i>Attention is drawn to the following places, which may be of interest for search:</i></p> <p>Humidifying tobacco in the factory is classified in A24B3/04</p>
A24F27/00	Limiting references	B65D	<p>Delete this reference from the Limiting references table.</p>
A24F27/00			<p>Insert a new Informative references section with the following text:</p> <p>Informative references</p>

CPC NOTICE OF CHANGES 768

DATE: JANUARY 1, 2020

PROJECT RP0619

<u>Symbol</u>	<u>Location of change</u> (e.g., section title)	<u>Existing reference symbol or text</u>	<u>Action; New symbol; New text</u>
			<p><i>Attention is drawn to the following places, which may be of interest for search:</i></p> <p>Packages B65D</p>
A24F47/00	Definition statement		<p>Replace the first line in the Definition statement section with the following.</p> <p>Smokers' requisites which cannot be classified elsewhere</p>
A24F47/00	Limiting references	B65B69/0033	<p>Delete the entire Limiting references section.</p>
A24F47/00			<p>Insert a new References out of a residual place section with the following text:</p> <p>References out of a residual place</p> <p><i>Examples of places in relation to which this place is residual:</i></p> <p>Devices for opening cigarette packages B65B69/0033</p>

NOTES:

- The table above is used for corrections or modifications to existing definitions, e.g. delete an entire definition or part thereof; propose new wording or modify wording of a section, change the symbol the definition is associated with, change or delete a reference symbol, etc.
- Do not delete (F) symbol definitions.

CPC NOTICE OF CHANGES 768

DATE: JANUARY 1, 2020

PROJECT RP0619

3. REVISION CONCORDANCE LIST (RCL)

Type*	From CPC Symbol (existing)	To CPC Symbol(s)
C	A24B 3/14	A24B 3/14, A24C 5/01
C	A24C 5/3406	A24C 5/3406, A24F 40/80, A24F 42/90
C	A24D 1/00	A24D 1/00, A24D 1/20, A24D 1/22
C	A24D 1/14	A24D 1/14, A24D 1/20
C	A24D 3/04	A24D 3/04, A24D 3/17
C	A24D 3/041	A24D 3/041, A24D 3/17
C	A24D 3/043	A24D 3/043, A24D 3/17
C	A24D 3/045	A24D 3/045, A24D 3/17
C	A24D 3/046	A24D 3/046, A24D 3/17
C	A24D 3/048	A24D 3/048, A24D 3/17
C	A24F 15/00	A24F 15/00, A24F 15/01, A24F 15/015
C	A24F 15/04	A24F 15/04, A24F 15/01, A24F 15/015
C	A24F 15/06	A24F 15/06, A24F 15/01, A24F 15/015
C	A24F 15/08	A24F 15/08, A24F 15/01, A24F 15/015
C	A24F 15/12	A24F 15/12, A24F 15/01, A24F 15/015
C	A24F 15/14	A24F 15/14, A24F 15/01, A24F 15/015
C	A24F 15/16	A24F 15/16, A24F 15/01, A24F 15/015
C	A24F 15/18	A24F 15/18, A24F 15/01, A24F 15/015
C	A24F 15/20	A24F 15/20, A24F 15/01, A24F 15/015
C	A24F 47/00	A24F 47/00, A24D 3/17, A24F 15/00, A24F 15/01, A24F 15/015, A24F 40/00, A24F 40/05, A24F 40/10, A24F 40/20, A24F 40/30, A24F 40/40, A24F 40/42, A24F 40/44, A24F 40/46, A24F 40/465, A24F 40/48, A24F 40/485, A24F 40/49, A24F 40/50, A24F 40/51, A24F 40/53, A24F 40/57, A24F 40/60, A24F 40/65, A24F 40/70, A24F 40/80, A24F 40/85, A24F 40/90, A24F 40/95, A24F 42/00, A24F 42/20, A24F 42/60, A24F 42/80, A24F 42/90
F	A24F 47/002	A24D 3/17, A24F 15/00, A24F 15/01, A24F 15/015, A24F 40/00, A24F 40/05, A24F 40/10, A24F 40/20, A24F 40/30, A24F 40/40, A24F 40/42, A24F 40/44, A24F 40/46, A24F 40/465, A24F 40/48, A24F 40/485, A24F 40/49, A24F 40/50, A24F 40/51, A24F 40/53, A24F 40/57, A24F 40/60, A24F 40/65, A24F 40/70, A24F 40/80, A24F 40/85, A24F 40/90, A24F 40/95, A24F 42/00, A24F 42/20, A24F 42/60, A24F 42/80, A24F 42/90
F	A24F 47/004	A24D 3/17, A24C 5/01, A24D 1/22, A24F 15/00, A24F 15/01, A24F 15/015, A24F 40/00, A24F 40/05, A24F 40/10, A24F 40/20, A24F 40/30, A24F 40/40, A24F 40/42, A24F 40/44, A24F 40/46, A24F 40/465, A24F 40/48, A24F 40/485, A24F 40/49, A24F 40/50, A24F 40/51, A24F 40/53, A24F 40/57, A24F 40/60, A24F 40/65, A24F 40/70, A24F 40/80, A24F 40/85, A24F 40/90, A24F 40/95, A24F 42/00, A24F 42/10, A24F 42/60, A24F 42/80, A24F 42/90
F	A24F 47/006	A24D 3/17, A24C 5/01, A24D 1/22, A24F 15/00, A24F 15/01, A24F 15/015, A24F 42/00, A24F 42/10, A24F 42/60, A24F 42/80, A24F 42/90

CPC NOTICE OF CHANGES 768

DATE: JANUARY 1, 2020

PROJECT RP0619

Type*	From CPC Symbol (existing)	To CPC Symbol(s)
F	A24F 47/008	A24D 3/17, A24C 5/01, A24D 1/22, A24F 15/00, A24F 15/01, A24F 15/015, A24F 40/00, A24F 40/05, A24F 40/10, A24F 40/20, A24F 40/30, A24F 40/40, A24F 40/42, A24F 40/44, A24F 40/46, A24F 40/465, A24F 40/48, A24F 40/485, A24F 40/49, A24F 40/50, A24F 40/51, A24F 40/53, A24F 40/57, A24F 40/60, A24F 40/65, A24F 40/70, A24F 40/80, A24F 40/85, A24F 40/90, A24F 40/95

* C = entries with modified file scope where reclassification of documents from the entries is involved; Q = new entries which are firstly populated with documents via administrative transfers from deleted (D) entries. Afterwards, the transferred documents into the Q entry will either stay or be moved to more appropriate entries, as determined by intellectual reclassification; D = deleted entries; F = frozen entries will be deleted once reclassification of documents from the entries is completed.

NOTES:

- Only C, D, F, and Q type entries are included in the table above.
- When multiple symbols are included in the “To” column, do not use ranges of symbols.
- For administrative transfer of documents, the following text should be used: “< administrative transfer to XX>”, “<administrative transfer to XX and YY simultaneously>”, or “<administrative transfer to XX, YY, ...and ZZ simultaneously>” when administrative transfer of the same documents is to more than one place.
- Administrative transfer to main trunk groups is assumed to be the source allocation type, unless otherwise indicated.
- Administrative transfer to 2000/Y series groups is assumed to be “additional information”.
- If needed, instructions for allocation type should be indicated within the angle brackets using the abbreviations “ADD” or “INV”: <administrative transfer to XX ADD>, <administrative transfer to XX INV>, or < administrative transfer to XX ADD, YY INV, ... and ZZ ADD simultaneously>.
- In certain situations, the “D” entries of 2000-series or Y-series groups may not require a destination (“To”) symbol, however it is required to specify “<no transfer>” in the “To” column for such cases.
- RCL is not needed for finalisation projects.

CPC NOTICE OF CHANGES 768

DATE: JANUARY 1, 2020

PROJECT RP0619

4. CHANGES TO THE CPC-TO-IPC CONCORDANCE LIST (CICL)

<u>CPC</u>	<u>IPC</u>	<u>Action*</u>
A24B 15/167	A24B 15/167	UPDATE
A24C 5/01	A24C 5/01	NEW
A24D 1/20	A24D 1/20	NEW
A24D 1/22	A24D 1/22	NEW
A24D 3/17	A24D 3/17	NEW
A24F 15/01	A24F 15/01	NEW
A24F 15/015	A24F 15/015	NEW
A24F 40/00	A24F 40/00	NEW
A24F 40/05	A24F 40/05	NEW
A24F 40/10	A24F 40/10	NEW
A24F 40/20	A24F 40/20	NEW
A24F 40/30	A24F 40/30	NEW
A24F 40/40	A24F 40/40	NEW
A24F 40/42	A24F 40/42	NEW
A24F 40/44	A24F 40/44	NEW
A24F 40/46	A24F 40/46	NEW
A24F 40/465	A24F 40/465	NEW
A24F 40/48	A24F 40/48	NEW
A24F 40/485	A24F 40/485	NEW
A24F 40/49	A24F 40/49	NEW
A24F 40/50	A24F 40/50	NEW
A24F 40/51	A24F 40/51	NEW
A24F 40/53	A24F 40/53	NEW
A24F 40/57	A24F 40/57	NEW
A24F 40/60	A24F 40/60	NEW
A24F 40/65	A24F 40/65	NEW
A24F 40/70	A24F 40/70	NEW
A24F 40/80	A24F 40/80	NEW
A24F 40/85	A24F 40/85	NEW
A24F 40/90	A24F 40/90	NEW
A24F 40/95	A24F 40/95	NEW
A24F 42/00	A24F 42/00	NEW
A24F 42/10	A24F 42/10	NEW
A24F 42/20	A24F 42/20	NEW
A24F 42/60	A24F 42/60	NEW
A24F 42/80	A24F 42/80	NEW
A24F 42/90	A24F 42/90	NEW

*Action column:

- For an (N) or (Q) entry, provide an IPC symbol and complete the Action column with “NEW.”
- For an existing CPC main trunk entry or indexing entry where the existing IPC symbol needs to be changed, provide an updated IPC symbol and complete the Action column with “UPDATED.”
- For a (D) CPC entry or indexing entry complete the Action column with “DELETE.” IPC symbol does not need to be included in the IPC column.

CPC NOTICE OF CHANGES 768

DATE: JANUARY 1, 2020

PROJECT RP0619

- For an (N) 2000 series CPC entry which is positioned within the main trunk scheme (breakdown code) provide an IPC symbol and complete the action column with “NEW”.
- For an (N) 2000 series CPC entry positioned at the end of the CPC scheme (orthogonal code), with no IPC equivalent, complete the IPC column with “CPCONLY” and complete the action column with “NEW”.

NOTES:

- F symbols are not included in the CICL table above.
- T and M symbols are not included in the CICL table above unless a change to the existing IPC is desired.

CPC NOTICE OF CHANGES 768

DATE: JANUARY 1, 2020

PROJECT RP0619

5. CROSS-REFERENCE LIST (CRL)

Scheme references impacted by this revision project

<u>Location of reference to be changed</u>	<u>Referenced subclass or group to be changed</u>	<u>Action; New reference symbol; New text</u>
A61M15/06	A24F47/002	Delete the following text from the title: {(simulated smoking devices, e.g. imitation cigarettes, A24F47/002)}

Definitions references impacted by this revision project

<u>Location of reference to be changed</u>	<u>Referenced subclass or group to be changed</u>	<u>Section of definition</u>	<u>Action; New reference symbol; New text</u>
A61M15/06	A24F47/002	Informative references	Replace A24F47/002 with the following. A24F40/00, A24F42/00
H05B3/00	A24F47/008	Application-oriented references	Replace A24F47/008 with the following. A24F40/00

NOTES:

- The CRL tables above are used for changes to locations **outside** of the project scope. Changes to references in scheme titles or definitions **inside** the project scope will be reflected in the “scheme change” template or one of the “definition” templates.
- In addition to other changes proposed in the tables above, in the column titled “Referenced subclass or group to be changed,” **referenced D** symbols should indicate an action of “delete” or should indicate a replacement symbol and **referenced F** symbols should indicate a replacement symbol.
- When a reference is deleted, text related to that reference will also be deleted unless other references or a range of references associated with the same text remain.