

EUROPEAN PATENT OFFICE  
U.S. PATENT AND TRADEMARK OFFICE

CPC NOTICE OF CHANGES 804

DATE: JANUARY 1, 2020

PROJECT MP0440

The following classification changes will be effected by this Notice of Changes:

<u>Action</u>	<u>Subclass</u>	<u>Group(s)</u>
<b>SCHEME:</b>		
Titles Changed:	B60C	13/00
	B60C	25/00, 25/05,
	B60C	27/00, 27/08, 27/10, 27/22
<b>DEFINITIONS:</b>		
Definitions New:	B60C	11/22
	B60C	25/00, 25/01, 25/02, 25/025, 25/04, 25/05, 25/12, 25/122, 25/125, 25/128, 25/13, 25/132, 25/135, 25/138, 25/14, 25/142, 25/145, 25/16, 25/18
	B60C	27/00, 27/02, 27/04, 27/045, 27/06, 27/08, 27/10, 27/12, 27/14, 27/145, 27/16, 27/18, 27/20, 27/22
	B60C	29/00
	B60C	99/00

No other subclasses/groups are impacted by this Notice of Changes.

1. CLASSIFICATION SCHEME CHANGES

- A. New, Modified or Deleted Group(s)
- B. New, Modified or Deleted Warning(s)
- C. New, Modified or Deleted Note(s)
- D. New, Modified or Deleted Guidance Heading(s)

2. DEFINITIONS

- A. New or Modified Definitions (Full definition template)
- B. Modified or Deleted Definitions (Definitions Quick Fix)

- 3.  REVISION CONCORDANCE LIST (RCL)
- 4.  CHANGES TO THE CPC-TO-IPC CONCORDANCE LIST (CICL)
- 5.  CHANGES TO THE CROSS-REFERENCE LIST (CRL)

## CPC NOTICE OF CHANGES 804

DATE: JANUARY 1, 2020

PROJECT MP0440

## 1. CLASSIFICATION SCHEME CHANGES

A. New, Modified or Deleted Group(s)

**SUBCLASS B60C - VEHICLE TYRES (manufacture B29); TYRE INFLATION; TYRE CHANGING OR REPAIRING; REPAIRING, OR CONNECTING VALVES TO, INFLATABLE ELASTIC BODIES IN GENERAL; DEVICES OR ARRANGEMENTS RELATED TO TYRES (testing of tyres G01M17/02)**

<u>Type*</u>	<u>Symbol</u>	<u>Indent Level Number of dots (e.g. 0, 1, 2)</u>	<u>Title</u> <u>“CPC only” text should normally be enclosed in {curly brackets}**</u>	<u>Transferred to<sup>#</sup></u>
M	B60C 13/00	0	Tyre sidewalls; Protecting, decorating, marking, or the like, thereof (B60C 17/08 takes precedence; tyre shoulders B60C 11/01; removable tyre sidewall trim rings B60B 7/01)	
M	B60C 25/00	0	Apparatus or tools adapted for mounting, removing, repairing or inspecting tyres (apparatus or tools characterised by the means for holding wheels or parts thereof B60B30/00)	
M	B60C 25/05	2	Machines {, i.e. motorized devices, e.g. for mounting, demounting (matching of tyres with rims, i.e. conjoint balancing G01M 1/30)}	
M	B60C 27/00	0	Non-skid devices temporarily attachable to resilient tyres or resiliently-tyred wheels	
M	B60C 27/08	2	involving lugs or rings taking up wear {, e.g. chain links, chain connectors }	
M	B60C 27/10	2	having tensioning means	
M	B60C 27/22	1	for tandem tyres (endless-track features {B62D 55/24})	

\*N = new entries where reclassification into entries is involved; C = entries with modified file scope where reclassification of documents from the entries is involved; Q = new entries which are firstly populated with documents via administrative transfers from deleted (D) entries. Afterwards, the transferred documents into the Q entry will either stay or be moved to more appropriate entries, as determined by intellectual reclassification; T= existing entries with enlarged file scope, which receive documents from C or D entries, e.g. when a limiting reference is removed from the entry title; M = entries with no change to the file scope (no reclassification); D = deleted entries; F = frozen entries will be deleted once reclassification of documents from the entries is completed; U = entries that are unchanged.

## NOTES:

- \*\*No {curly brackets} are used for titles in CPC only subclasses, e.g. C12Y, A23Y; 2000 series symbol titles of groups found at the end of schemes (orthogonal codes); or the Y section titles. The {curly brackets} are used for 2000 series symbol titles found interspersed throughout the main trunk schemes (breakdown codes).
- U groups: it is obligatory to display the required “anchor” symbol (U group), i.e. the entry immediately preceding a new group or an array of new groups to be created (in case new groups are not clearly subgroups of C-type groups). Always include the symbol, indent level and title of the U group in the table above.
- All entry types should be included in the scheme changes table above for better understanding of the overall scheme change picture. Symbol, indent level, and title are required for all types .

## CPC NOTICE OF CHANGES 804

DATE: JANUARY 1, 2020

### PROJECT MP0440

- “Transferred to” column must be completed for all C, D, F, and Q type entries. F groups will be deleted once reclassification is completed.
- When multiple symbols are included in the “Transferred to” column, avoid using ranges of symbols in order to be as precise as possible.
- For administrative transfer of documents, the following text should be used: “< administrative transfer to XX>”, “<administrative transfer to XX and YY simultaneously>”, or “<administrative transfer to XX, YY, ...and ZZ simultaneously>” when administrative transfer of the same documents is to more than one place.
- Administrative transfer to main trunk groups is assumed to be the source allocation type, unless otherwise indicated.
- Administrative transfer to 2000/Y series groups is assumed to be “additional information”.
- If needed, instructions for allocation type should be indicated within the angle brackets using the abbreviations “ADD” or “INV”: <administrative transfer to XX ADD> , <administrative transfer to XX INV>, or < administrative transfer to XX ADD, YY INV, ... and ZZ ADD simultaneously>.
- In certain situations, the “D” entries of 2000-series or Y-series groups may not require a destination (“Transferred to”) symbol, however it is required to specify “<no transfer>” in the “Transferred to” column for such cases.
- For finalisation projects, the deleted “F” symbols should have <no transfer> in the “Transferred to” column.
- For more details about the types of scheme change, see CPC Guide.

## 2. A. DEFINITIONS (NEW)

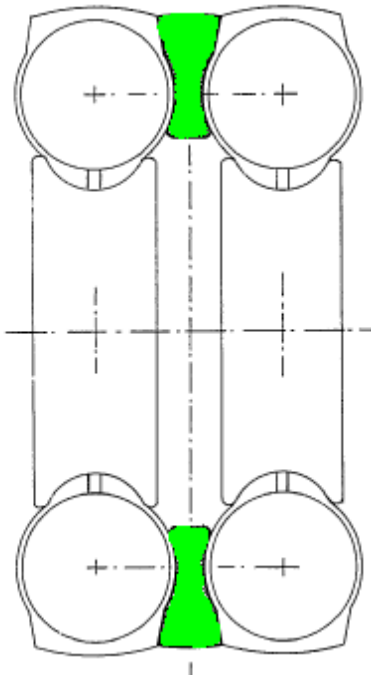
**Insert:** the following new Definitions.

### **B60C11/22**

#### **Definition statement**

*This place covers:*

Example:



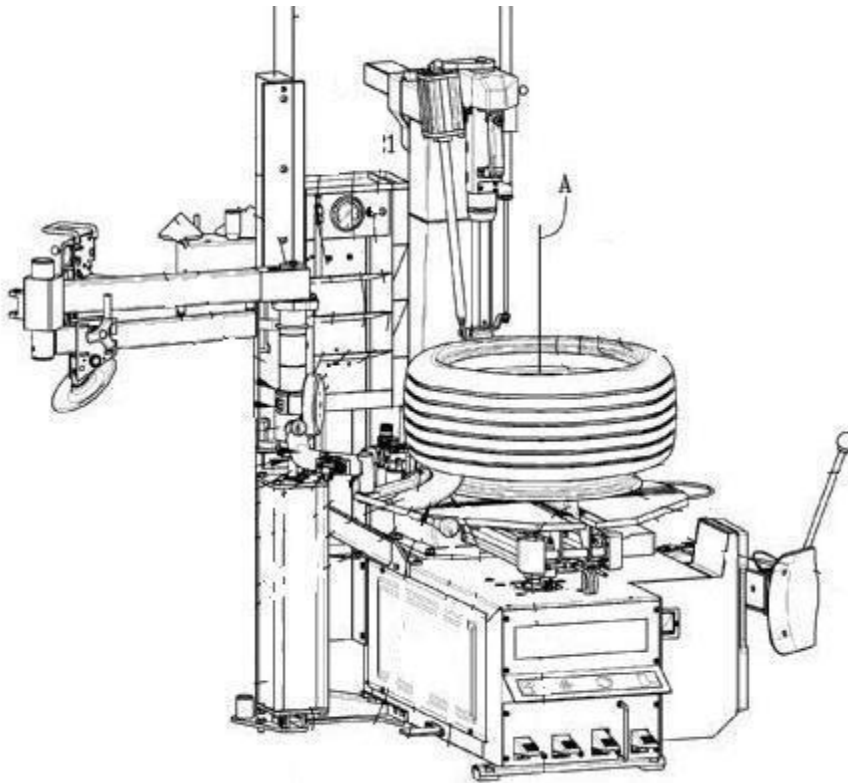
## B60C25/00

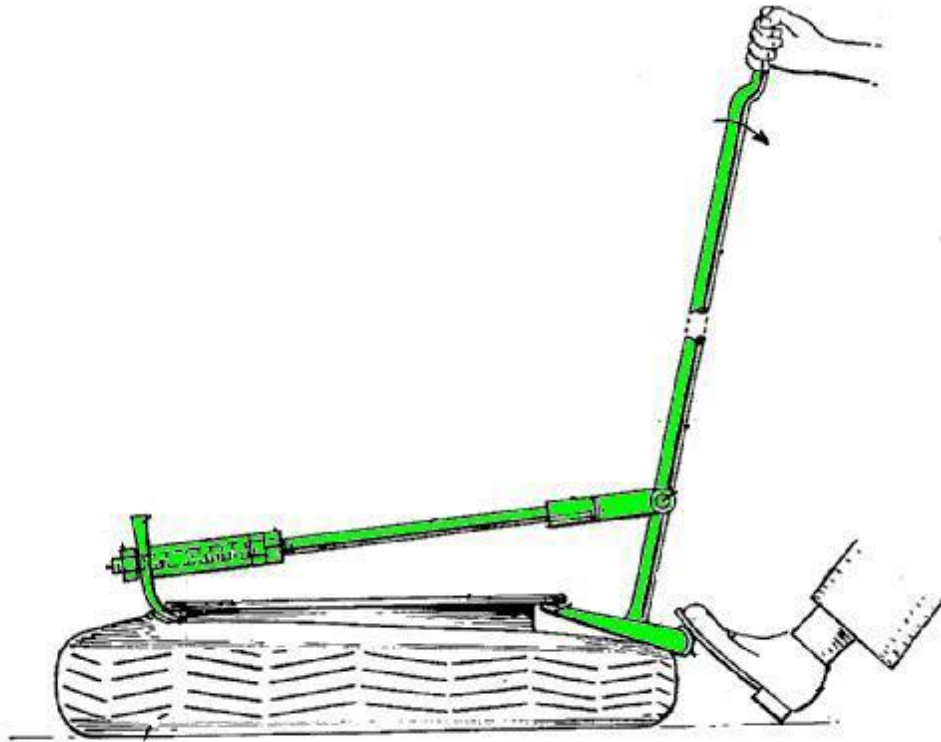
### Definition statement

*This place covers:*

- Hand-tools and machines for mounting or demounting a tyre on/ from a rim portion.
- Demounting machines also include separation of tyres from rims by destroying one or both parts.

Example:





## References

### Limiting references

*This place does not cover:*

apparatus or tools characterised by the means for holding wheels or parts thereof
---

<a href="#">B60B30/00</a>
---------------------------

### Informative references

*Attention is drawn to the following places, which may be of interest for search:*

Rims per se
-------------

<a href="#">B60B21/00</a>
---------------------------

Hand-tools or machines for mounting or demounting wheels to/ from a vehicle axle
--

<a href="#">B60B29/00</a>
---------------------------

CPC NOTICE OF CHANGES 804

DATE: JANUARY 1, 2020

PROJECT MP0440

Balancing of wheels	<a href="#">G01M1/045</a>
Compensation of unbalance or matching of tyres	<a href="#">G01M1/30</a>
Compensation of unbalance by removing material from the tyre tread	<a href="#">G01M1/34</a>

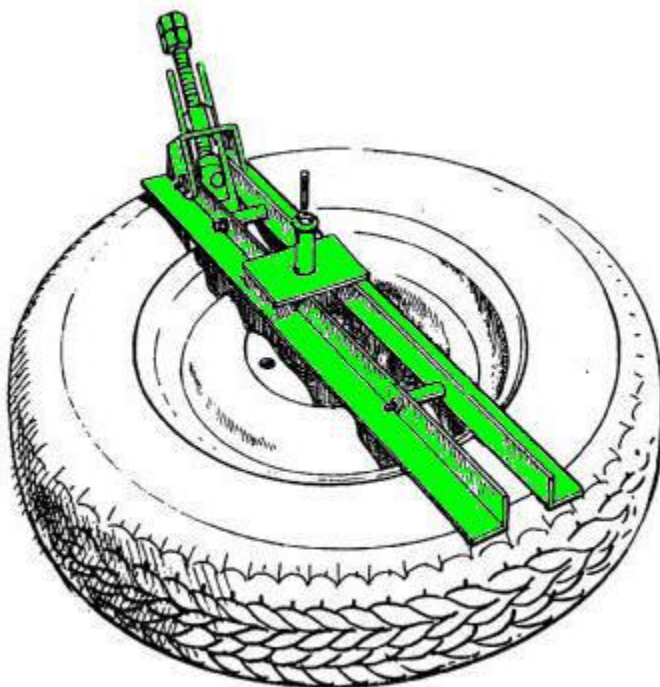
**B60C25/01**

**Definition statement**

*This place covers:*

Devices for manually mounting or demounting tyres to/ from rims.

Example:



**References**

**Informative references**

*Attention is drawn to the following places, which may be of interest for search:*

Machines for mounting or demounting tyres to/ from rims
---

<a href="#">B60C25/05</a>
---------------------------



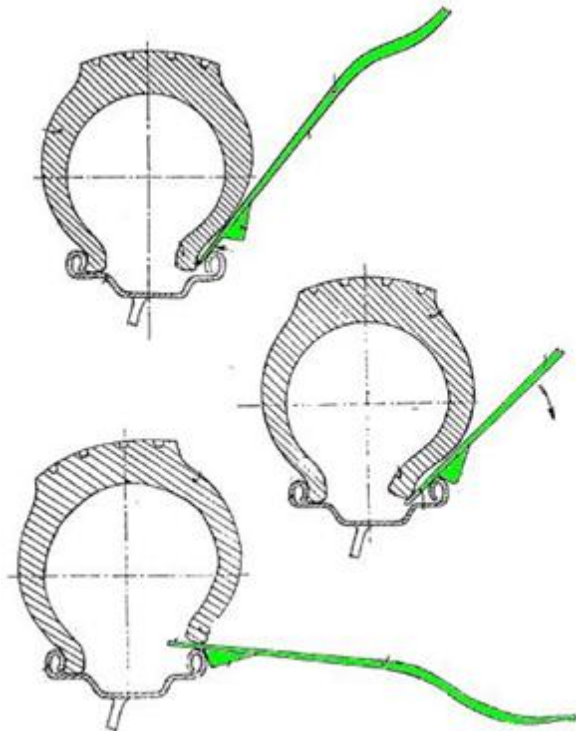
## B60C25/02

### Definition statement

*This place covers:*

Tyre levers or similar hand-tools for manually mounting or demounting tyres to/from rims.

Example:



### References

#### Informative references

*Attention is drawn to the following places, which may be of interest for search:*

Machines for mounting/demounting tyres to/from rims
---

B60C25/05
-----------

### Special rules of classification

Only hand-tools are classified here.

CPC NOTICE OF CHANGES 804

DATE: JANUARY 1, 2020

PROJECT MP0440

Reference B60C25/05 is non-limiting in the subgroup B60C25/02. CPC will be corrected once this inconsistency is resolved in IPC.

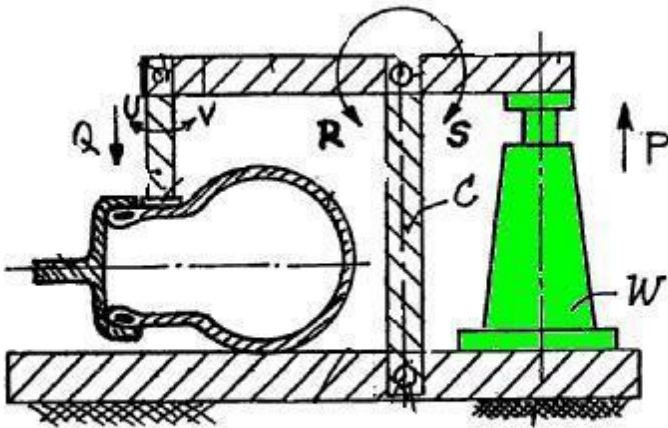
**B60C25/025**

**Definition statement**

*This place covers:*

Hand-tools provided with a jack for manually mounting/demounting tyres to/from rims.

Example:



**References**

**Informative references**

*Attention is drawn to the following places, which may be of interest for search:*

Machine operated devices	<a href="#">B60C25/05</a>
--------------------------	---------------------------

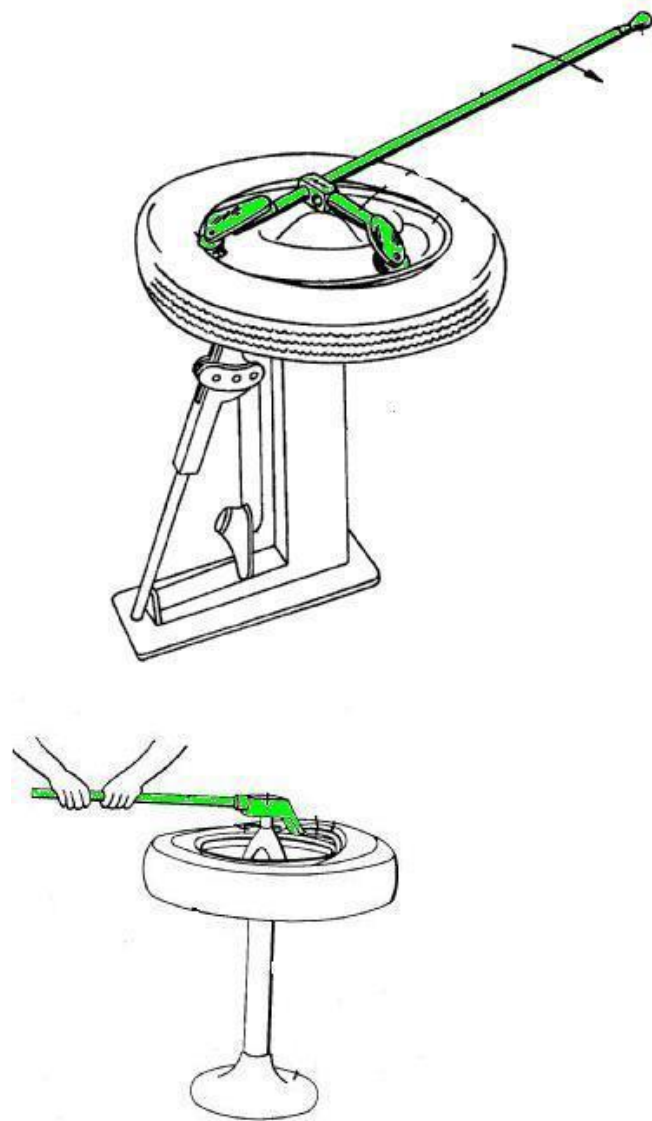
**B60C25/04**

**Definition statement**

*This place covers:*

The hand-tools are pivotable around the wheel axis or movable along the rim edge for manually mounting/demounting tyres to/from rims.

Example:



CPC NOTICE OF CHANGES 804

DATE: JANUARY 1, 2020

PROJECT MP0440

**References**

**Informative references**

*Attention is drawn to the following places, which may be of interest for search:*

Machine operated device	<a href="#">B60C25/05</a>
-------------------------	---------------------------

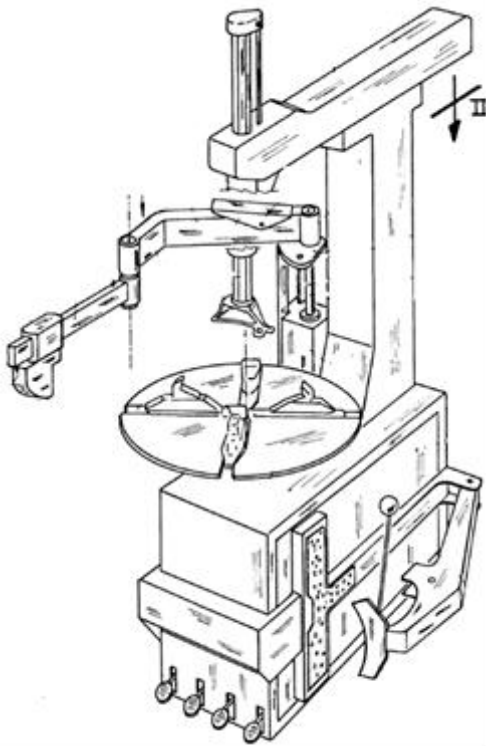
## B60C25/05

### Definition statement

*This place covers:*

Machines and motorized apparatus for mounting/ demounting tyres on/ from rims.

Example:



### References

#### Limiting references

*This place does not cover:*

Matching of tyres
-------------------

<a href="#">G01M1/30</a>
--------------------------

#### Informative references

*Attention is drawn to the following places, which may be of interest for search:*

Means for holding vehicle wheels or parts thereof	B60B30/00
Hand-tools for mounting/ demounting tyres on/ from rims	B60C25/01

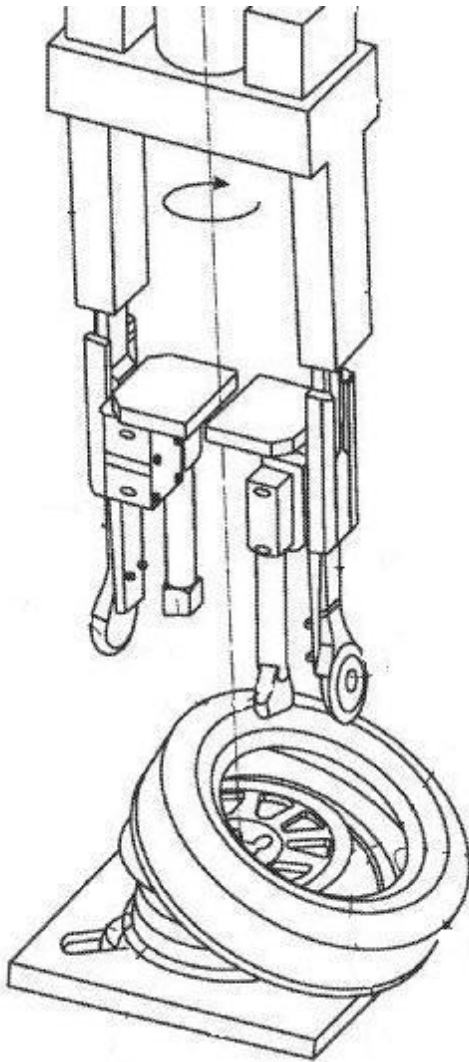
## B60C25/12

### Definition statement

*This place covers:*

Machines for only seating the beads of the tyre.

Example:



CPC NOTICE OF CHANGES 804

DATE: JANUARY 1, 2020

PROJECT MP0440

**Glossary of terms**

*In this place, the following terms or expressions are used with the meaning indicated:*

seating the beads	bringing the bead portion of the tyre in contact with the inner side of the rim, but not in sealing contact with the rim flange. The bead portions are only within the rim well
-------------------	---



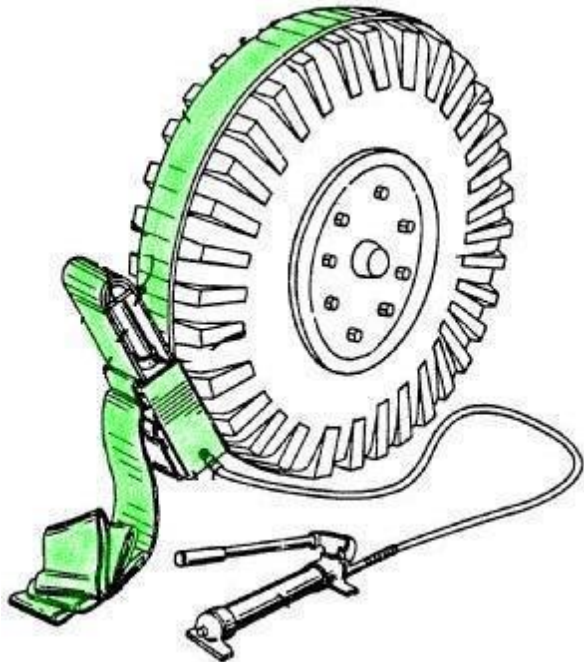
## **B60C25/122**

### **Definition statement**

*This place covers:*

Seating of the beads is done by acting on the tyre tread portion.

Example:



### **Special rules of classification**

Classification should be done in B60C25/14 for locating the bead portions onto the sealing surface of the rim.

### **Glossary of terms**

*In this place, the following terms or expressions are used with the meaning indicated:*

seating the beads	bringing the bead portion of the tyre in contact with the inner side of the rim, but not in sealing contact with the rim flange. The bead portions are only within the rim well
-------------------	---

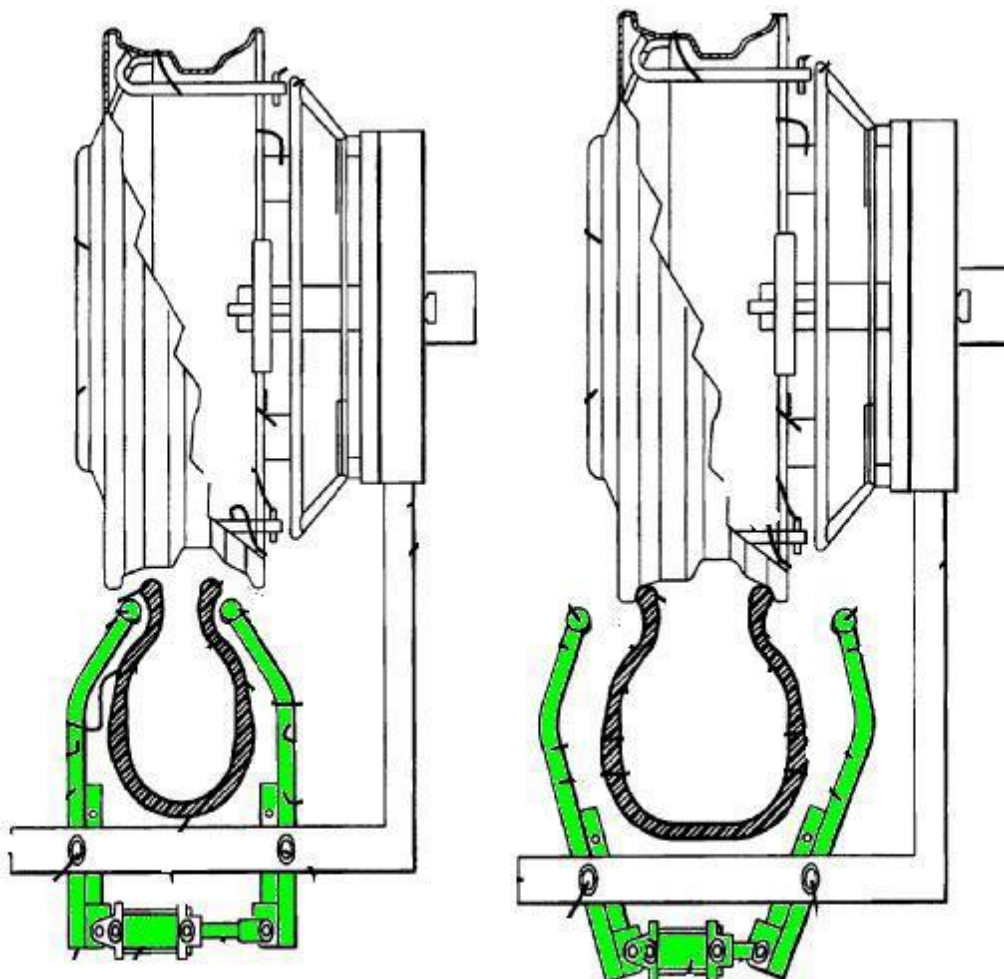
**B60C25/125**

**Definition statement**

*This place covers:*

Machines for only breaking the beads.

Example:



CPC NOTICE OF CHANGES 804

DATE: JANUARY 1, 2020

PROJECT MP0440

**References**

**Informative references**

*Attention is drawn to the following places, which may be of interest for search:*

Separating the tyre from the rim by destroying the tyre	<a href="#">B60C25/0524</a>
---	-----------------------------

**Glossary of terms**

*In this place, the following terms or expressions are used with the meaning indicated:*

Breaking the beads	dismantling the contact of the bead portion of the tyre from the bead seat of the rim portion
--------------------	---

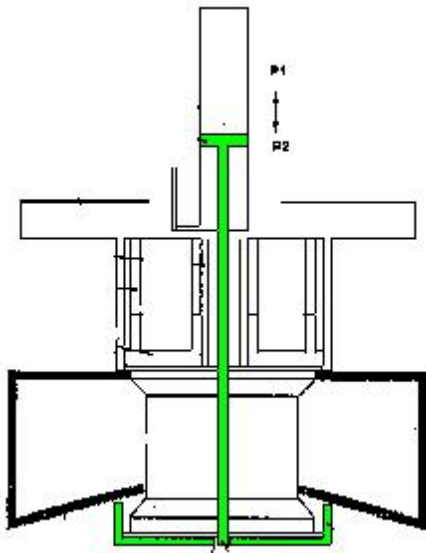
## B60C25/128

### Definition statement

*This place covers:*

Machines for only breaking the beads while acting axially on the whole circumference of the bead portion of the tyre.

Example:



### References

#### Informative references

*Attention is drawn to the following places, which may be of interest for search:*

Separating the tyre from the rim by destroying the tyre	<a href="#">B60C25/0524</a>
---	-----------------------------

### Glossary of terms

*In this place, the following terms or expressions are used with the meaning indicated:*

Breaking the beads	dismantling the contact of bead portion of the tyre from the bead seat of the rim portion
--------------------	---

## B60C25/13

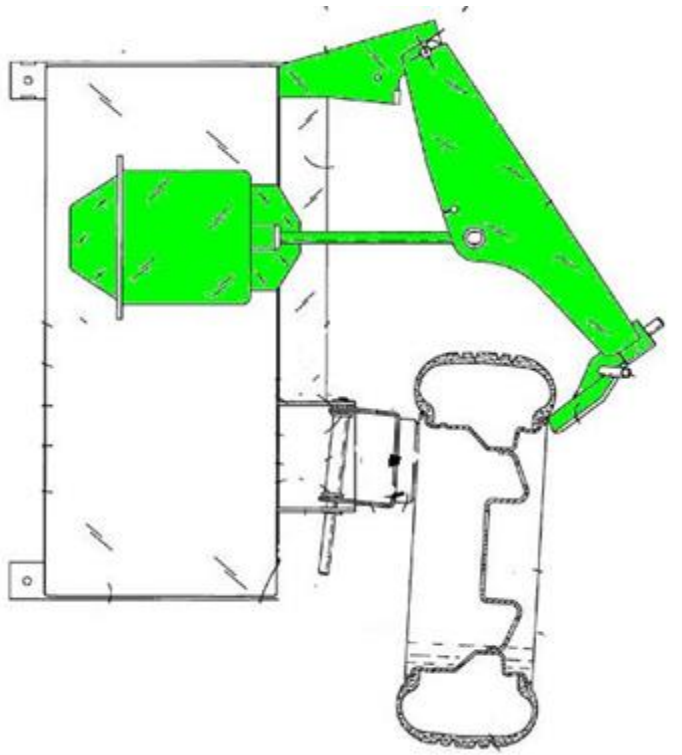
### Definition statement

*This place covers:*

Machines for only breaking the beads while acting axially at localised areas of the bead portion of the tyre.

Normally an additional device is present at the side of a tyre removing machine comprising a tool, e.g. a blade for axially pressing on localized areas of the bead region in order to break the beads.

Example:



CPC NOTICE OF CHANGES 804

DATE: JANUARY 1, 2020

PROJECT MP0440

**References**

**Informative references**

*Attention is drawn to the following places, which may be of interest for search:*

Separating the tyre from the rim by destroying the tyre	<a href="#">B60C25/0524</a>
---	-----------------------------

**Glossary of terms**

*In this place, the following terms or expressions are used with the meaning indicated:*

Breaking the beads	dismantling the contact of bead portion of the tyre from the bead seat of the rim portion
--------------------	---

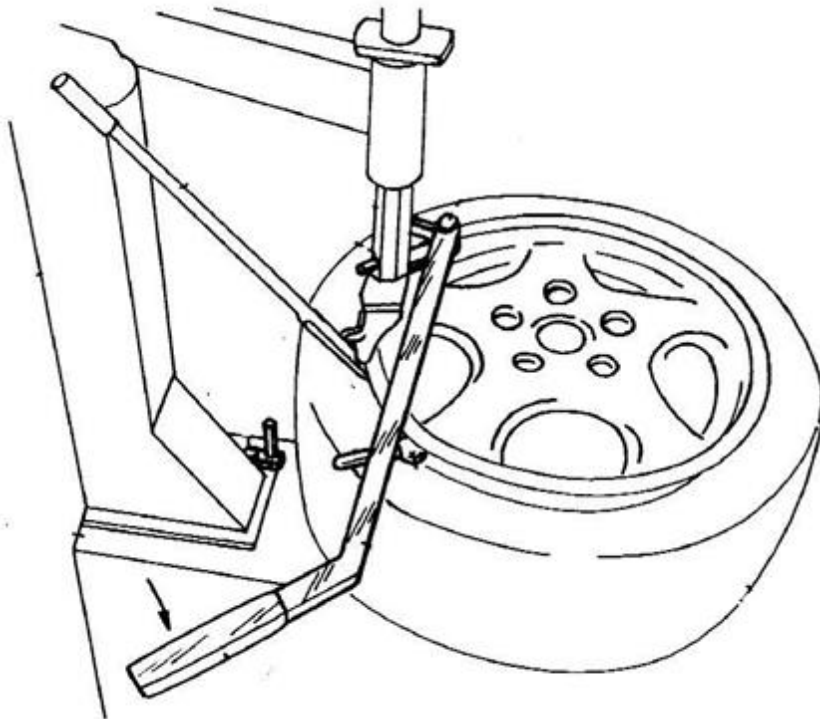
## B60C25/132

### Definition statement

*This place covers:*

- Machines for mounting/ demounting tyres to/ from rims.
- Pulling the bead portion of the tyre over the rim edge is done by the machine.

Example:



### References

### Limiting references

*This place does not cover:*

Machines for only seating the beads	<a href="#">B60C 25/12</a>
Machines for only breaking the beads	<a href="#">B60C 25/125</a>
Machines for locating provisionally the beads of tubeless tyres against the sealing surfaces of the rims	<a href="#">B60C 25/145</a>

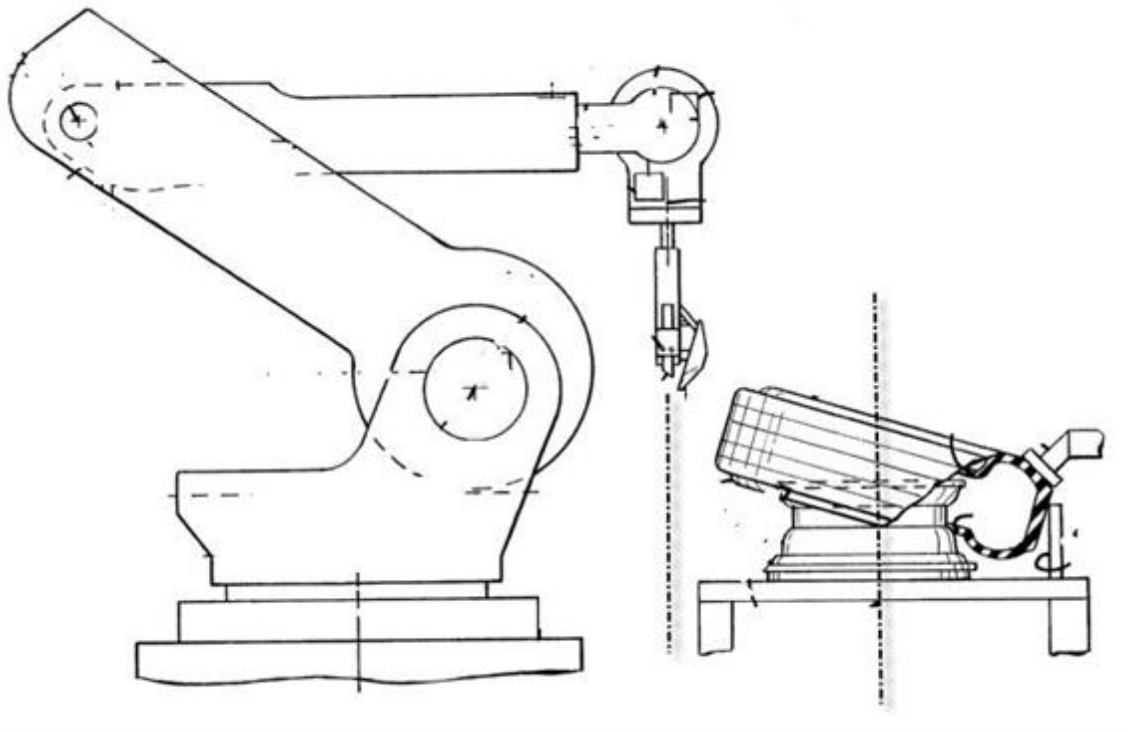
**B60C25/135**

**Definition statement**

*This place covers:*

Machines wherein the tool, or the support of the tyre is movable along the wheel axis.

Example:





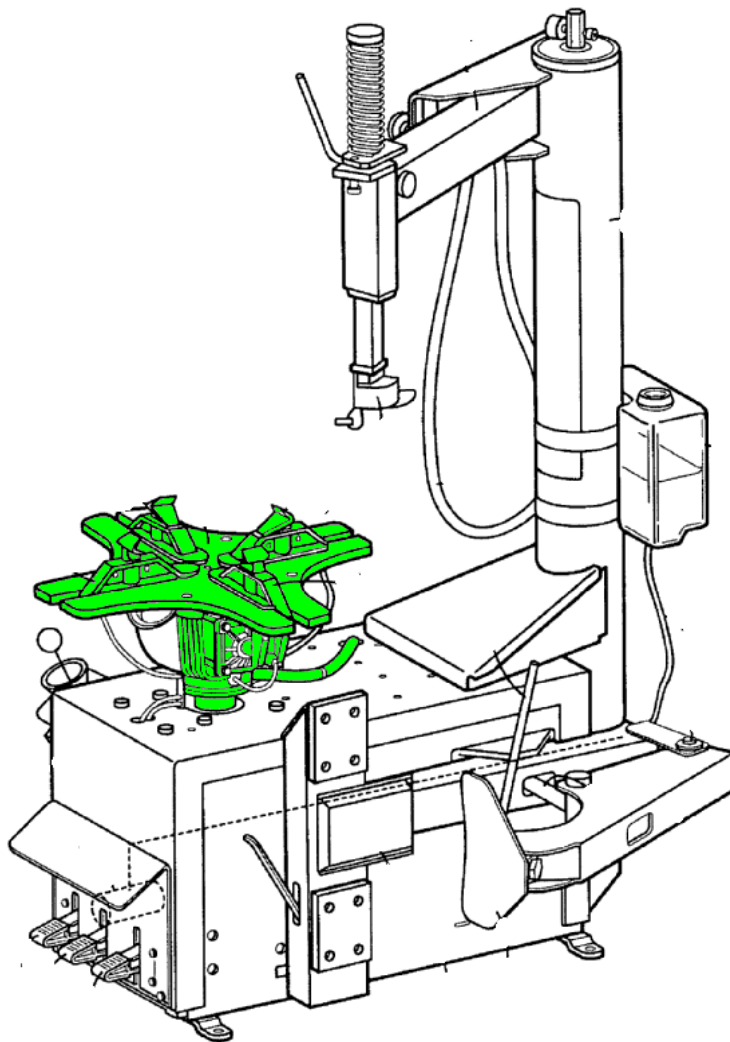
**B60C25/138**

**Definition statement**

*This place covers:*

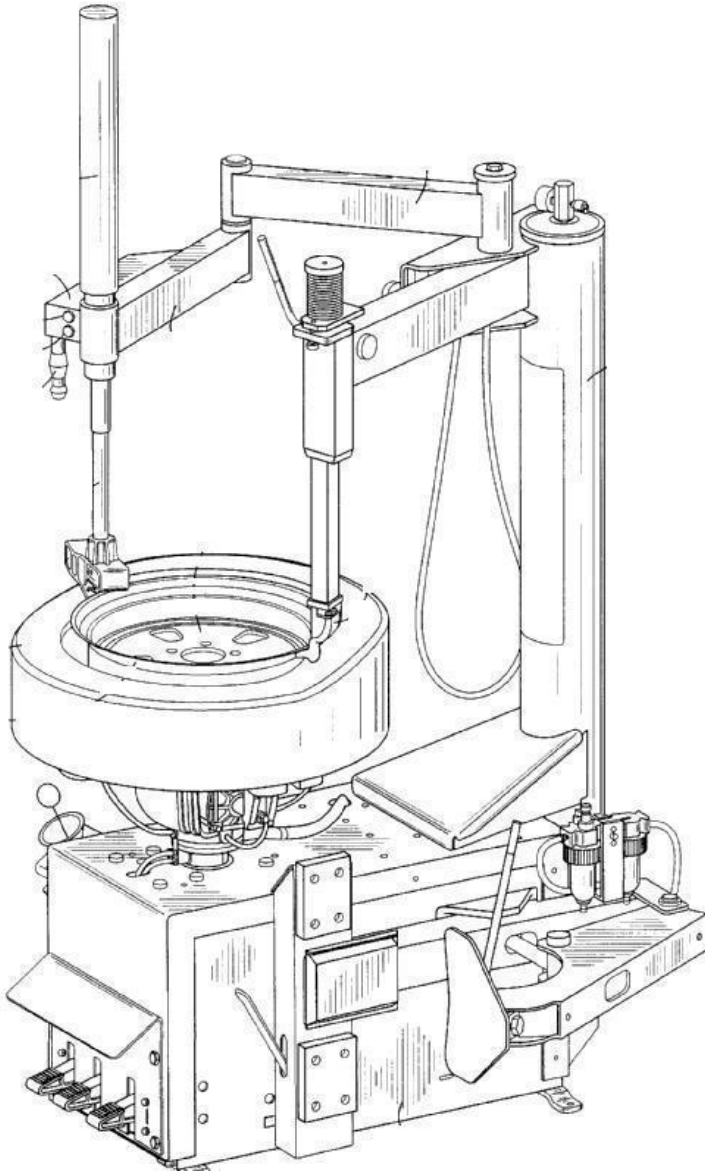
Machines with a rotating support (turntable) for the rim portion or a machine tool providing a rotary motion.

Examples:



DATE: JANUARY 1, 2020

PROJECT MP0440



**References**

**Informative references**

*Attention is drawn to the following places, which may be of interest for search:*

Means for holding wheels or parts thereof, also with turntables	<a href="#">B60B 30/00</a>
---	----------------------------

CPC NOTICE OF CHANGES 804

DATE: JANUARY 1, 2020

PROJECT MP0440

## **Synonyms and Keywords**

*In patent documents, the following words/expressions are often used as synonyms:*

- turntable
- self-centering device
- rotary support
- clamping device

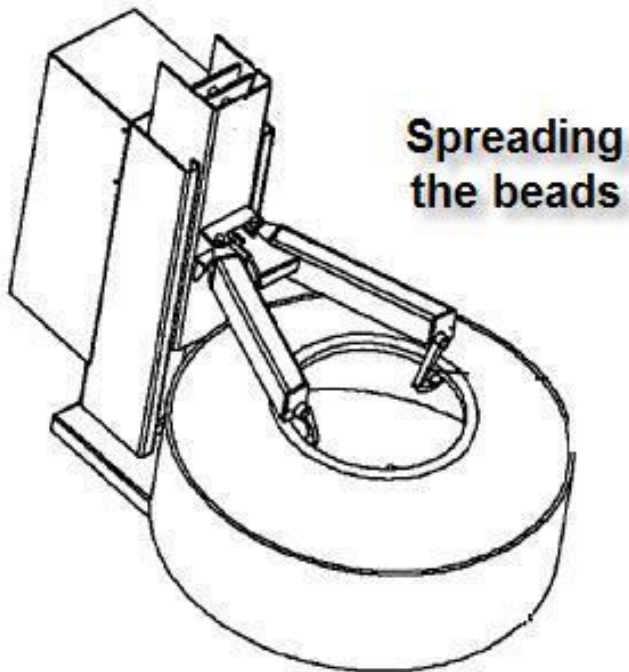
**B60C25/14**

**Definition statement**

*This place covers:*

- Devices for spreading the tyres.
- Devices for locating the tyre beads in the rim well.

Example:



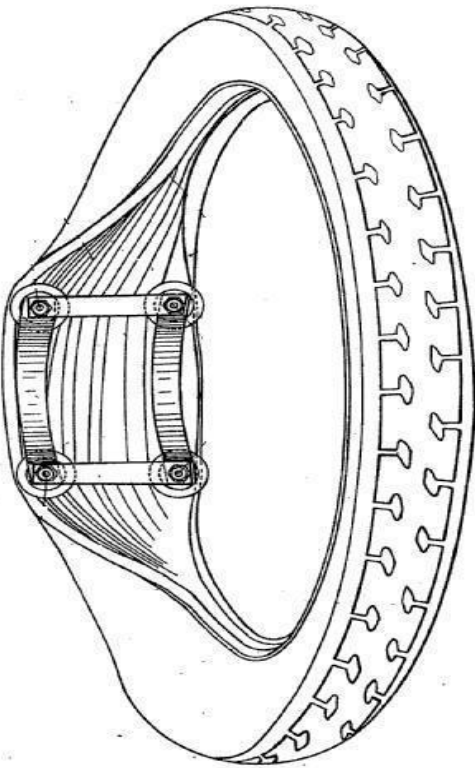
**B60C25/142**

**Definition statement**

*This place covers:*

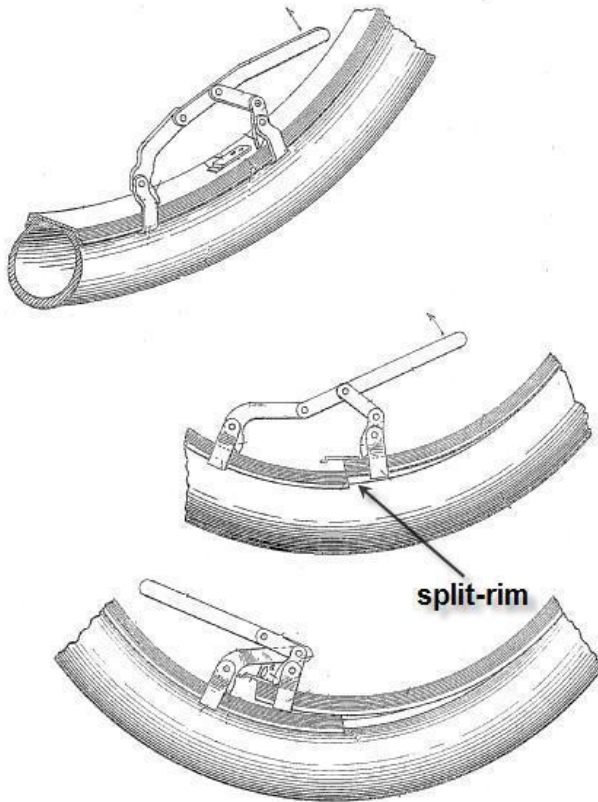
- Devices for spreading the tyres.
- Devices for expanding or tightening split-rims.

Example:



DATE: JANUARY 1, 2020

PROJECT MP0440



## References

Informative references

*Attention is drawn to the following places, which may be of interest for search:*

inspecting tyres
------------------

<a href="#">B60C25/002</a>
----------------------------

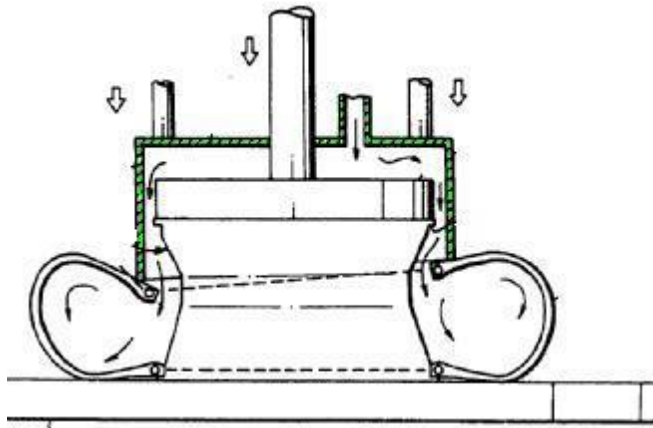
**B60C25/145**

**Definition statement**

*This place covers:*

Devices for locating the bead portions of the tyre against the sealing surface of the rim portion by applying air pressure.

Example:



**References**

**Informative references**

*Attention is drawn to the following places, which may be of interest for search:*

Tyre inflation devices	<a href="#">B60S5/04</a>
Air pumps per se	<a href="#">F04</a>

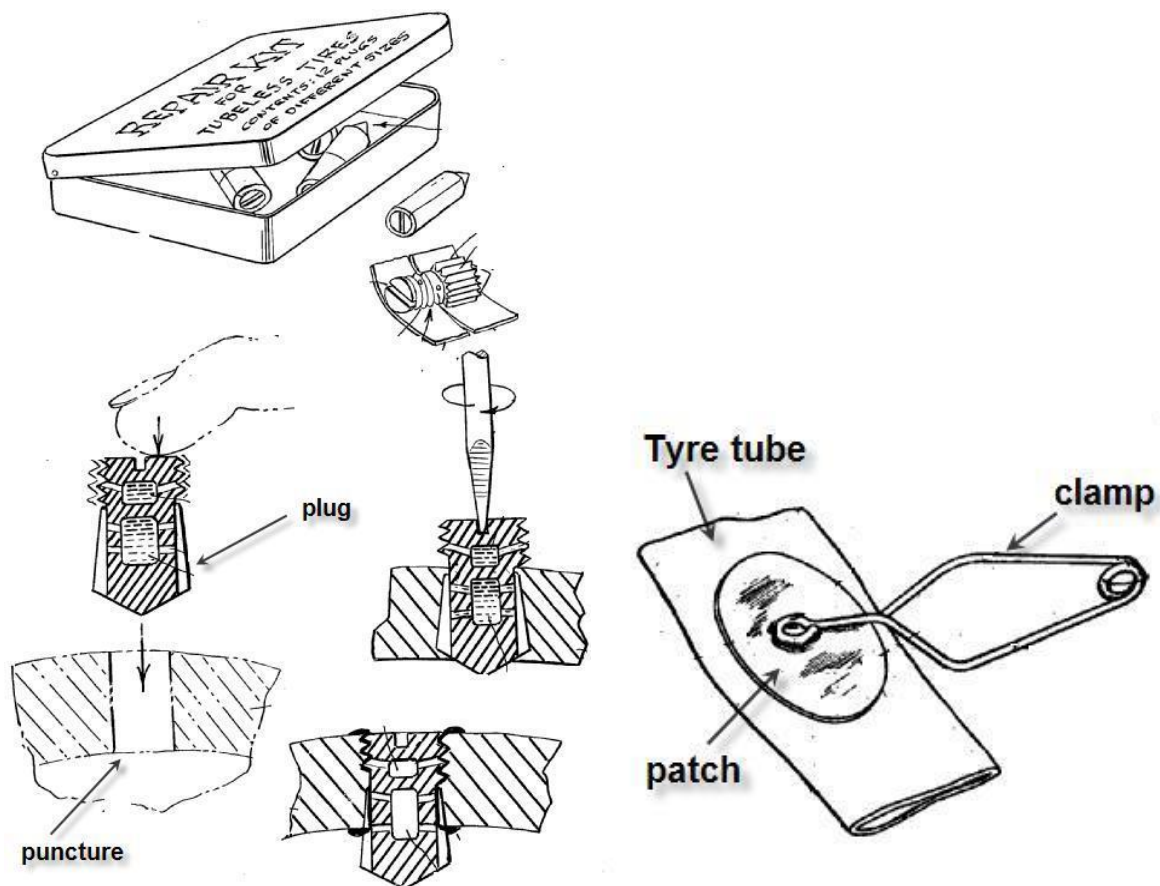
## B60C25/16

### Definition statement

*This place covers:*

Devices and tools for repairing minor defects on damaged tyres by applying patches, inserting plugs etc.

Example:



### References

#### Informative references

*Attention is drawn to the following places, which may be of interest for search:*

Applying sealant agents (Tyre-fit systems)

[B29C73/166](#)



Patches or plugs per se
-------------------------

<a href="#">B29C 73/10</a>
----------------------------

### **Special rules of classification**

Tools for repairing tyres are also classified in B29C 73/08 and B29C 73/12.

### **Synonyms and Keywords**

*In patent documents, the following words/expressions are often used as synonyms:*

- patch
- plug

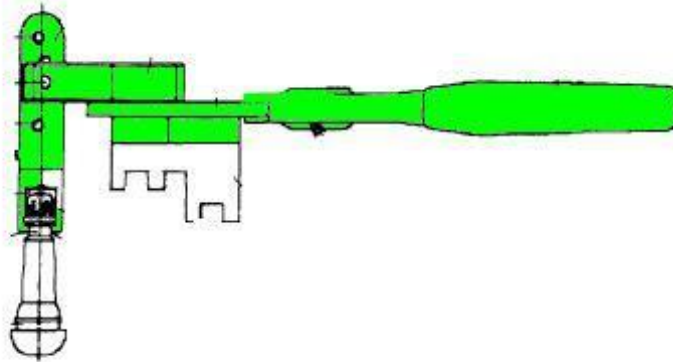
## **B60C25/18**

### **Definition statement**

*This place covers:*

Apparatus and tools for mounting or demounting air valves on/ from wheel rims.

Example:



### **References**

#### **Informative references**

Attention is drawn to the following places, which may be of interest for search:

Air valves adapted for tyres or rims
--------------------------------------

<a href="#">B60C29/00</a>
---------------------------

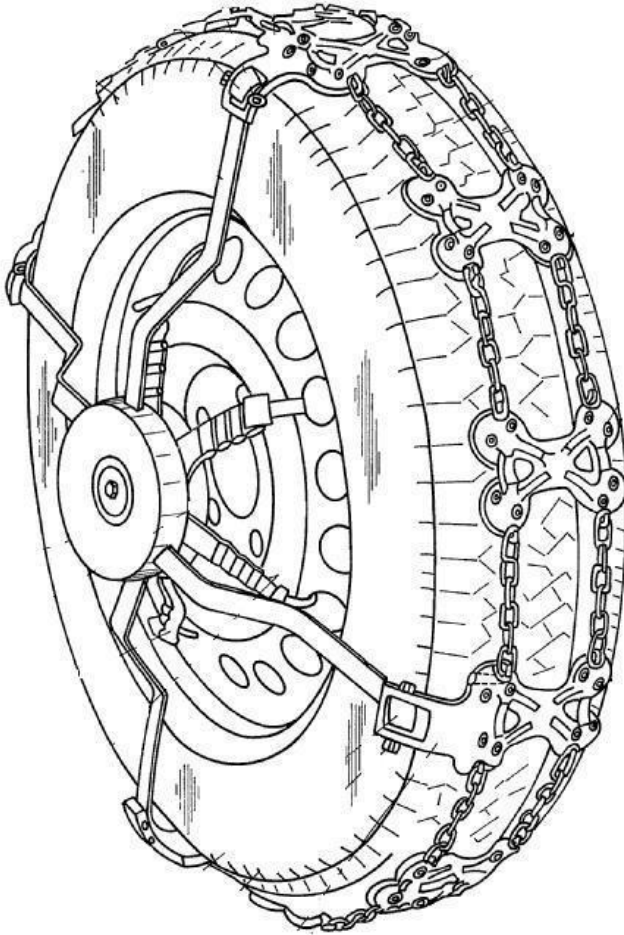
**B60C27/00**

**Definition statement**

*This place covers:*

Non-skid devices temporary attachable to tyre treads of a vehicle in order to enhance the traction of the vehicle.

Example:



CPC NOTICE OF CHANGES 804

DATE: JANUARY 1, 2020

PROJECT MP0440

**References**

**Informative references**

*Attention is drawn to the following places, which may be of interest for search:*

Wheels or wheel attachments designed for increasing traction e.g. spade lugs	<a href="#">B60B15/00</a>
anti-skid devices mounted to the body frame of the vehicle e.g. rotatable chain wheels	<a href="#">B60B39/003</a>
particle dispensing devices in front of the tyres	<a href="#">B60B39/02</a>
endless track devices	<a href="#">B62D55/00</a>

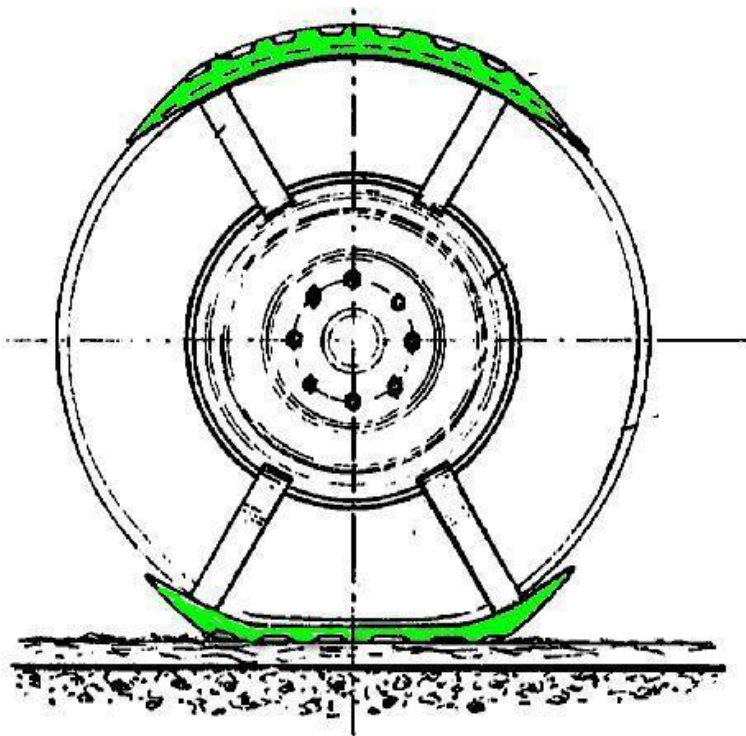
## B60C27/02

### Definition statement

*This place covers:*

The anti-skid device extends over restricted arcuate parts of the tread without being interconnected in the circumferential direction of the tyre.

Example:



### References

Limiting references

*This place does not cover:*

Ground-engaging plate-like traction elements
--

B60C27/20
-----------

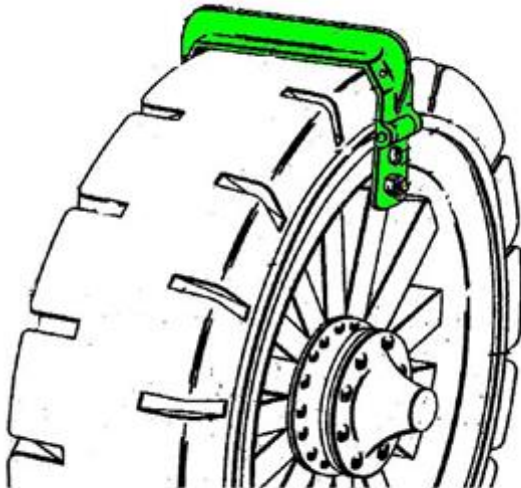
## **B60C27/04**

### **Definition statement**

*This place covers:*

The ground-engaging part of the anti-skid device is rigid and not elastic.

Example:



### **Synonyms and Keywords**

*In patent documents, the following words/expressions are often used as synonyms:*

- yoke
- cleat
- gripping shoe
- traction shoe

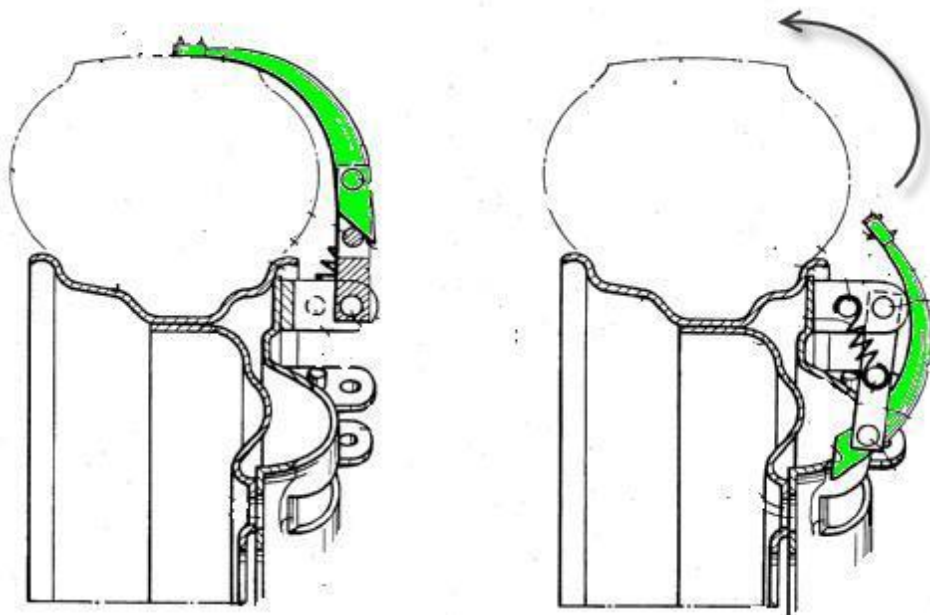
**B60C27/045**

**Definition statement**

*This place covers:*

Retractable devices for increasing the traction of the tyre, wherein the device comes into contact with the tread of the tyre.

Example:



**References**

**Limiting references**

*This place does not cover:*

Retractable devices which do not come in contact with the tread but stay besides the tyre	B60B15/00
---	-----------

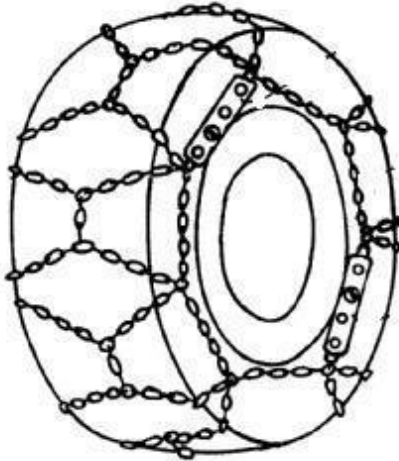
## B60C27/06

### Definition statement

*This place covers:*

Anti-skid devices extending over the whole circumference of the tread portion of the tyre.

Example:



### References

#### Limiting references

*This place does not cover:*

Devices comprising ground-engaging plate-like elements	<a href="#">B60C27/20</a>
--	---------------------------

#### Informative References

Attention is drawn to the following places, which may be of interest for search:

Devices with traction enhancing elements at localised parts of the tread without any connection between these parts on the circumference of the tyre	<a href="#">B60C27/02</a>
--	---------------------------



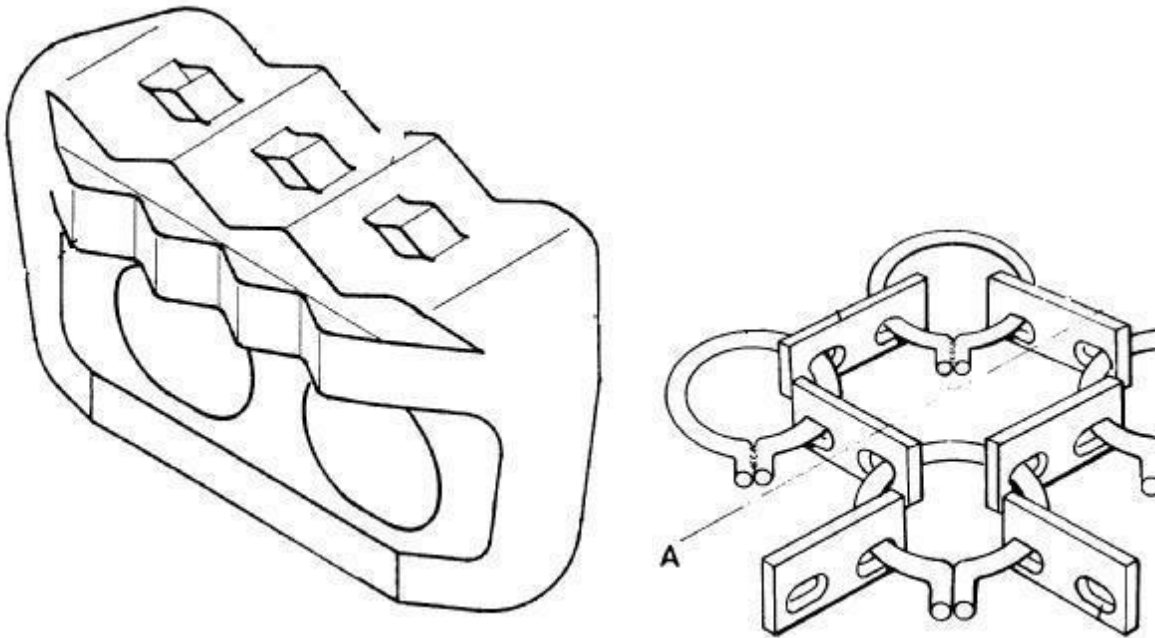
## B60C27/08

### Definition statement

*This place covers:*

All different parts of the traction enhancing part of the anti-skid device such as chain links, chain connectors, stud links, etc.

Example:



### References

#### Informative references

*Attention is drawn to the following places, which may be of interest for search:*

Chain elements per se, e.g. for hoisting equipment
--

<a href="#">F16G15/00</a>
---------------------------

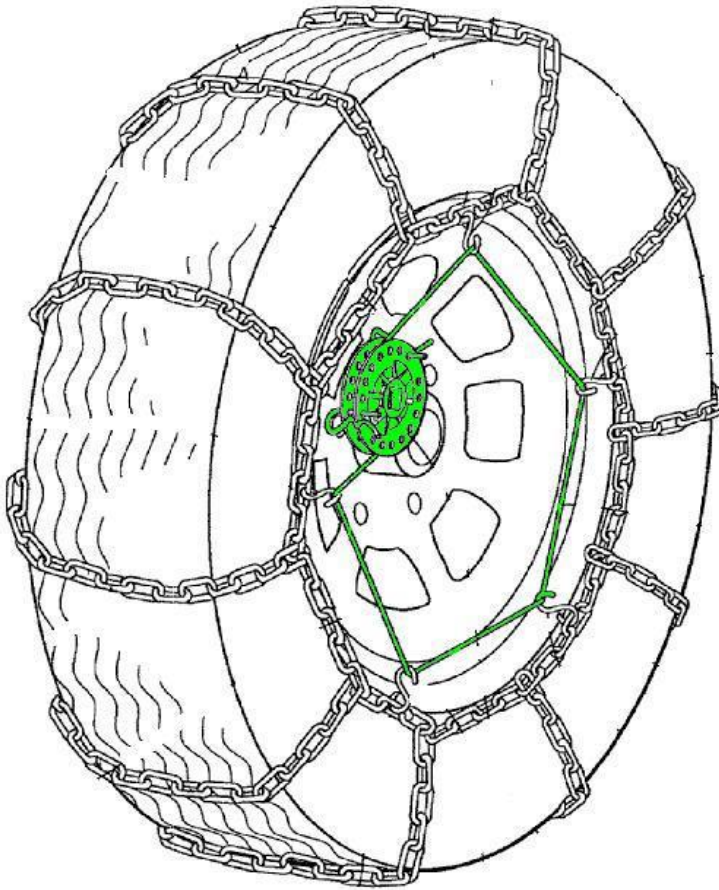
## B60C27/10

### Definition statement

*This place covers:*

All parts for tensioning the anti-skid device to the respective tyre or wheel, e.g. pawl and ratchet means, rotatable hooks, etc.

Example:



### References

Informative references

*Attention is drawn to the following places, which may be of interest for search:*

CPC NOTICE OF CHANGES 804

DATE: JANUARY 1, 2020

PROJECT MP0440

**Synonyms and Keywords**

*In patent documents, the following words/expressions are often used as synonyms:*

- pawl
- ratchet
- reel
- turnbuckle

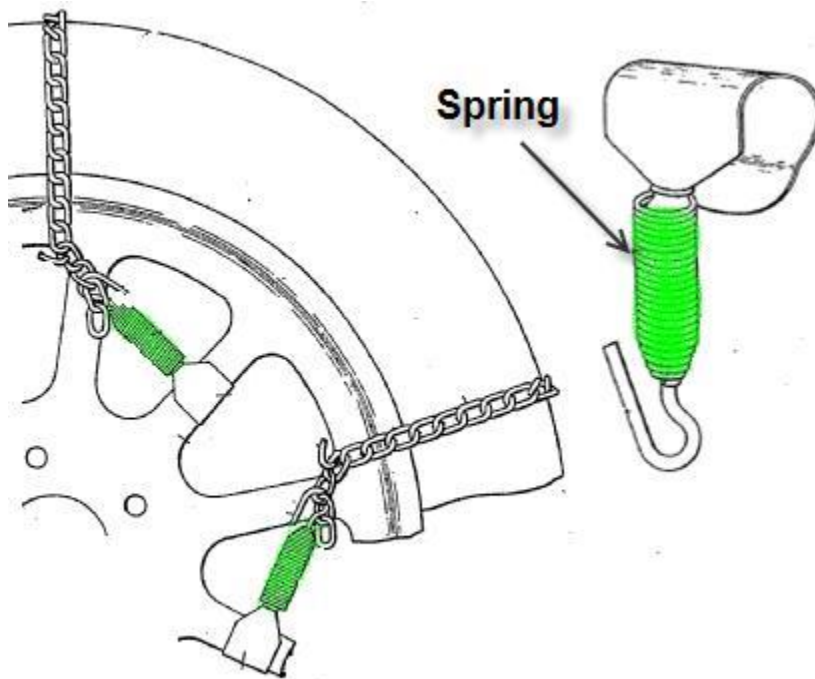
**B60C27/12**

**Definition statement**

*This place covers:*

All resilient and elastic tensioning means e.g. comprising springs, elastic rings, elastic blocks of vulcanised rubber, etc.

Example:



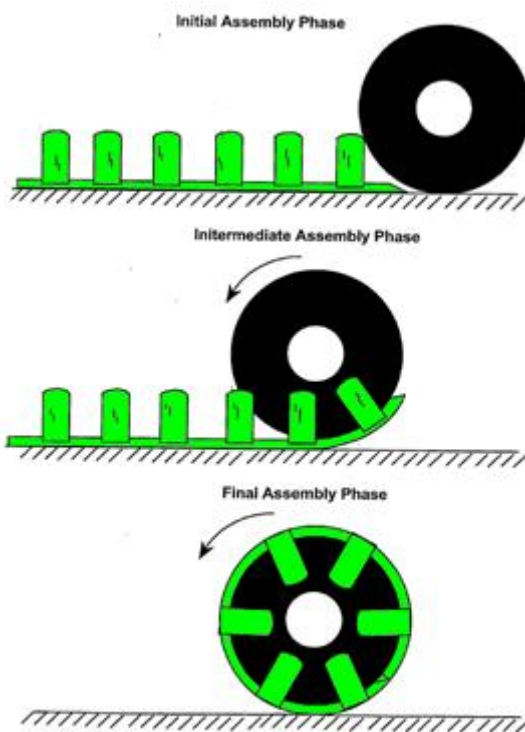
**B60C27/14**

**Definition statement**

*This place covers:*

The anti-skid device is automatically attachable to the tyre of the vehicle.

Example:



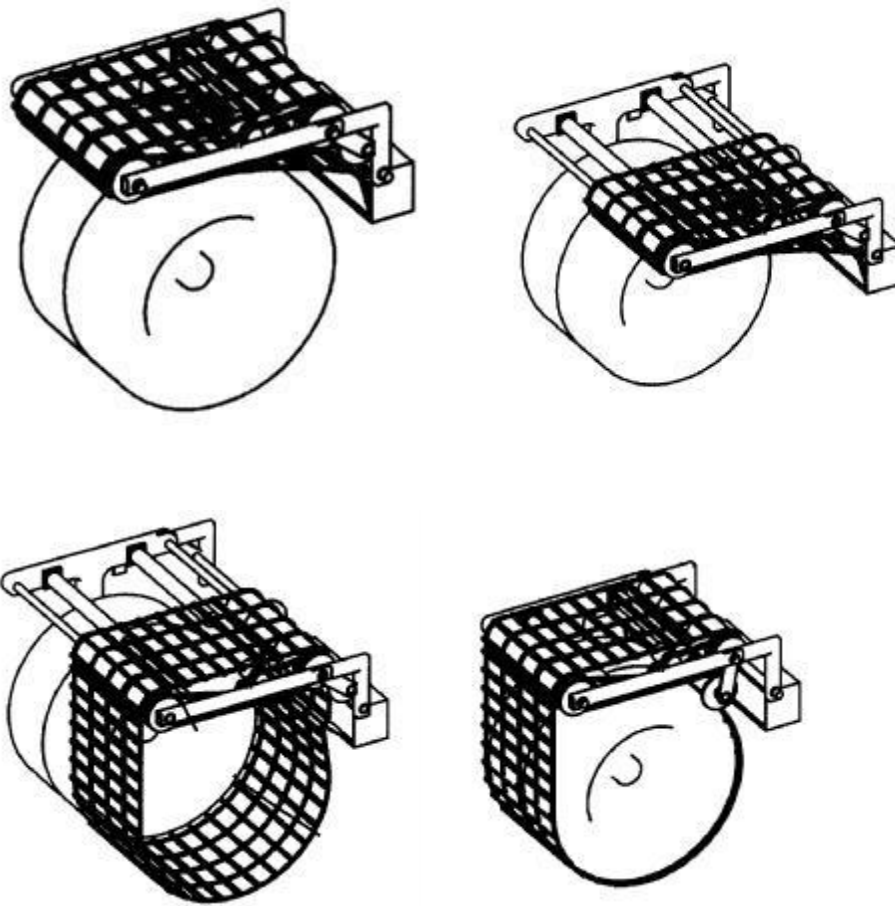
**B60C27/145**

**Definition statement**

*This place covers:*

The anti-skid device is applied around the tyre tread from a point connected to the body frame of the vehicle.

Example:



## References

### Informative references

*Attention is drawn to the following places, which may be of interest for search:*

Vehicle mounted non-skid devices with no fixation or contact to the tyre tread portion
--

<a href="#">B60B39/00</a>
---------------------------

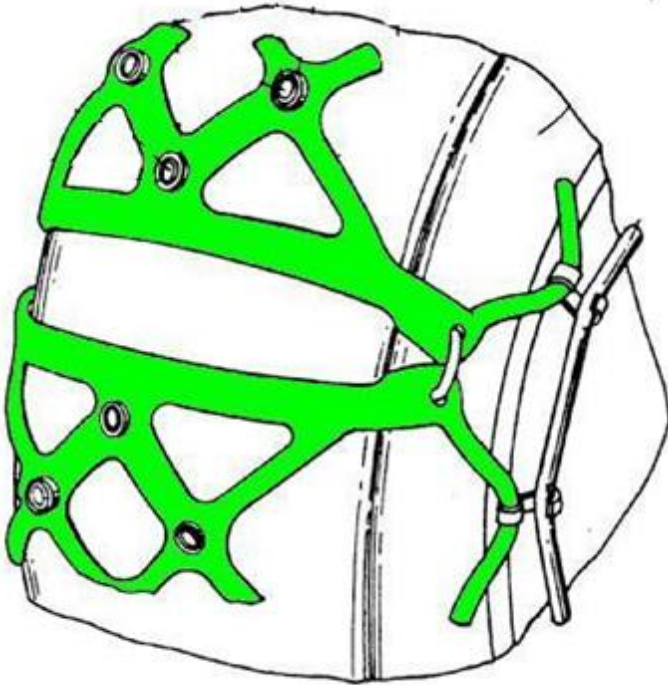
### B60C27/16

#### Definition statement

*This place covers:*

The traction enhancing elements are formed of close material e.g. rubber material, synthetic mats, leather, etc. extending over enlarged areas of the tread portion.

Example:

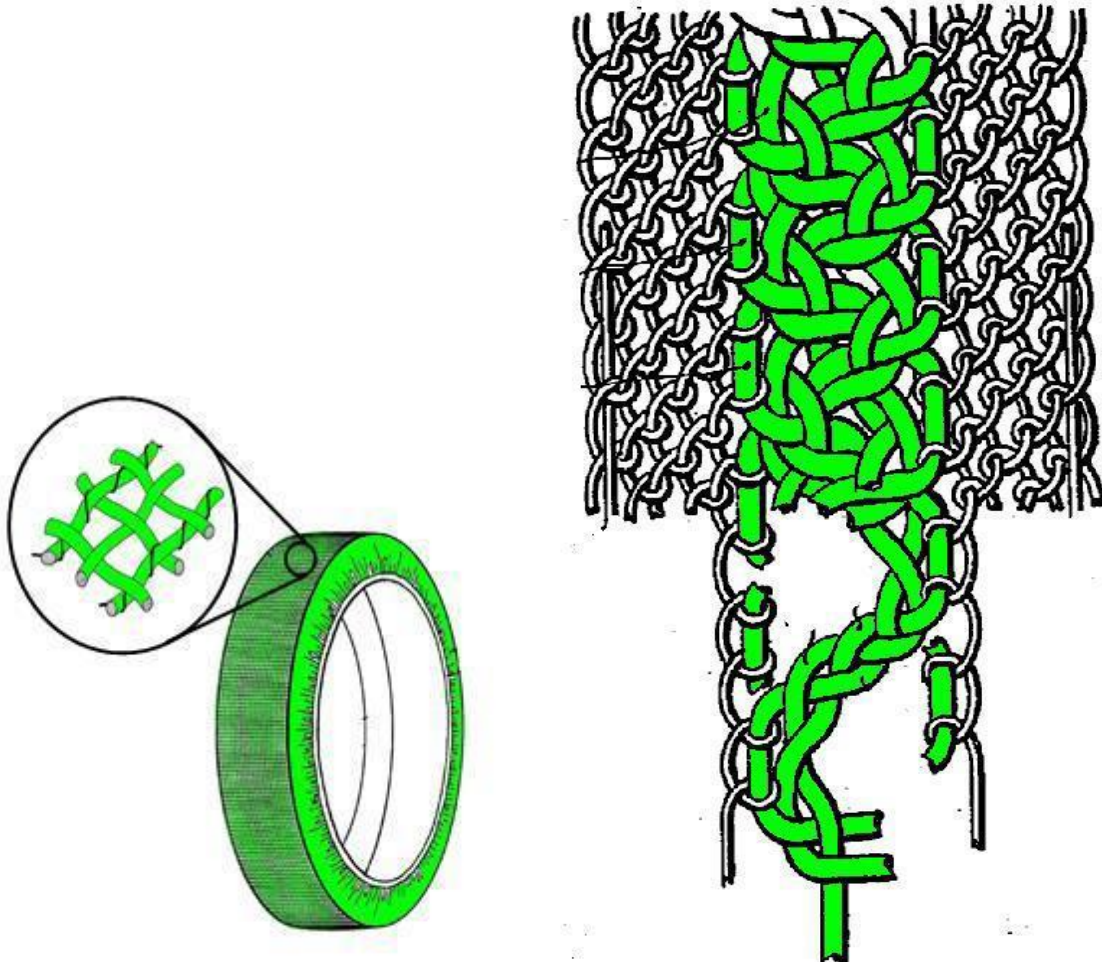


**B60C27/18**

**Definition statement**

*This place covers:*

The anti-skid device is made of fabric material, e.g. woven wire, textile filaments, cordura etc.



**References**

**Informative references**

*Attention is drawn to the following places, which may be of interest for search:*

Fabrics per se	D04B1/00
Patterned fabrics or articles made by weft knitting processes	D04B1/10



DATE: JANUARY 1, 2020

PROJECT MP0440

Warp knitting processes or fabrics defined by such processes
--

<a href="#">D04B21/00</a>
---------------------------

## **Synonyms and Keywords**

*In patent documents, the following words/expressions are often used as synonyms:*

- canvas
- cloth
- woven
- non-woven
- textile
- cordura
- warp
- weft
- knit
- twill

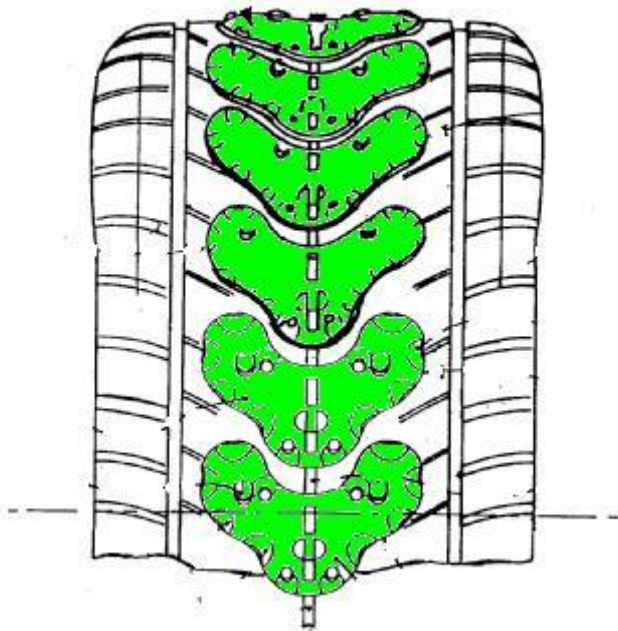
## **B60C27/20**

### **Definition statement**

*This place covers:*

The ground-engaging parts being interconnected plate-like elements arranged on the circumference of the tread portion.

Example:



### **Special rules of classification**

Devices extending over restricted arcuate parts of the tread are only classified in B60C 27/02.

Devices on restricted arcuate part of tread with rigid traction enhancing parts are only classified in B60C 27/04.

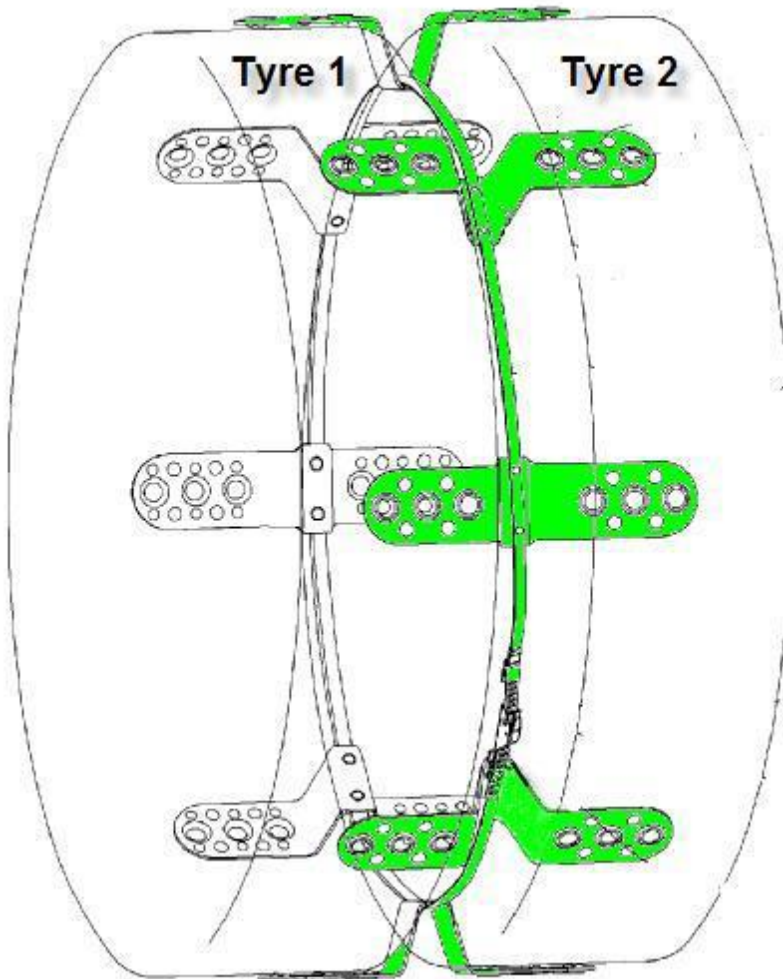
**B60C27/22**

**Definition statement**

*This place covers:*

Anti-skid devices applicable to tandem tyres on the same axis.

Example:



DATE: JANUARY 1, 2020

PROJECT MP0440

## References

### Limiting references

*This place does not cover:*

endless track features between two wheels of different axes	<a href="#">B62D55/24</a>
---	---------------------------

### Glossary of terms

*In this place, the following terms or expressions are used with the meaning indicated:*

tandem tyres	tyres located on the same axis one next to the other. Often used by lorries or trucks
--------------	---

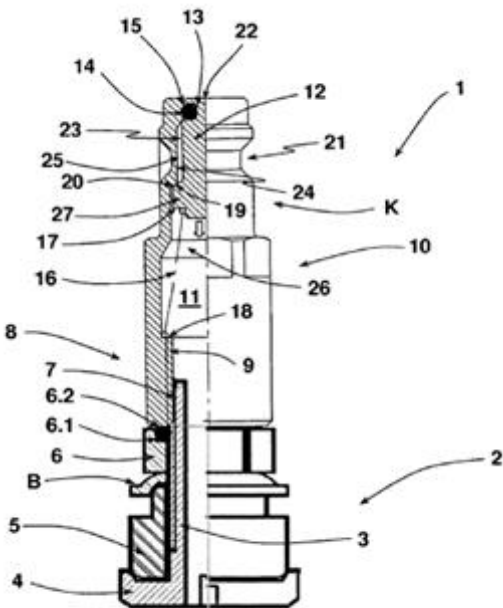
DATE: JANUARY 1, 2020

PROJECT MP0440

**B60C29/00****Definition statement***This place covers:*

- tyre valves per se.
- connection of the valve to the rim or the tyre.
- accessories for valves (hose connections, caps, pressure relief devices).

Example:

**References**

Informative references

*Attention is drawn to the following places, which may be of interest for search:*

auto-repairing devices or arrangements (e.g. by introducing sealing compositions into the tyre)	<a href="#">B29C73/16</a>
devices for measuring tyre pressure mounted in the vehicle	<a href="#">B60C23/00</a>
supplying air for tyre inflation	<a href="#">B60S5/04</a>
pumps actuated by muscle power	<a href="#">F04B33/00</a>
valves per se, valve dust caps	<a href="#">F16K</a>
check valves for inflatable bodies, e.g. tyres	<a href="#">F16K15/20</a>

CPC NOTICE OF CHANGES 804

DATE: JANUARY 1, 2020

PROJECT MP0440

couplings of the quick acting type (e.g. valve connectors)	<a href="#">F16L37/00</a>
devices for measuring tyre pressure (e.g. hand-held pressure gauges)	<a href="#">G01L17/00</a>

**References out of a residual place**

*Examples of places in relation to which this place is residual:*

Tools for mounting or demounting valves	<a href="#">B60C 25/18</a>
---	----------------------------

**Special rules of classification**

References B60C25/18 and F16K are non-limiting in the subgroup B60C29/00. CPC will be corrected once this inconsistency is resolved in IPC.

DATE: JANUARY 1, 2020

PROJECT MP0440

## **B60C99/00**

### **Definition statement**

*This place covers:*

- tyres for special use.
- simulation or design methods for tyres.