

EUROPEAN PATENT OFFICE  
U.S. PATENT AND TRADEMARK OFFICE

CPC NOTICE OF CHANGES 846

DATE: MAY 1, 2020

PROJECT RP0128

**The following classification changes will be effected by this Notice of Changes:**

<u>Action</u>	<u>Subclass</u>	<u>Group(s)</u>
<b>SCHEME:</b>		
Symbols Deleted:	B65D	2081/001, 2081/002, 2081/004, 2081/005, 2081/007, 2081/008
Symbols Deleted Pending Reclassification: (frozen (F))	B65D	33/2591
Symbols New:	B65D	33/2584, 33/2585, 33/2586, 33/25865, 33/2587, 33/2588, 33/2589, 33/259
	B65D	57/002, 57/003, 57/004, 57/005, 57/006
	B65D	79/008, 79/0081, 79/0084, 79/0087
	B65D	85/8049, 85/8052, 85/8055, 85/8058, 85/8061, 85/8064, 85/8067
Titles Changed:	B65D	33/2508, 33/2516, 33/34
	B65D	79/005
	B65D	85/8043
Warnings New:	B65D	33/2508, 33/2591, 33/34
	B65D	57/00, 57/002
	B65D	79/005, 79/008, 79/0087
	B65D	85/8043, 85/8046, 85/8049, 85/8052, 85/8055, 85/8058, 85/8061, 85/8064, 85/8067
Notes Deleted:	B65D	85/84
Notes Modified:	B65D	85/00
<b>DEFINITIONS:</b>		
Definitions New:	B65D	33/2585, 33/2586, 33/25865, 33/2587, 33/2588, 33/2589, 33/259
		57/003, 57/004, 57/005, 57/006, 79/0081, 79/0084, 79/0087
		85/8049, 85/8052, 85/8055, 85/8058, 85/8061, 85/8064, 85/8067
Definitions Modified:	B65D	33/2508, 33/2516, 33/34
	B65D	57/00
	B65D	85/8043

**The following subclasses/groups are also impacted by this Notice of Changes: A44B**

CPC NOTICE OF CHANGES 846

DATE: MAY 1, 2020

PROJECT RP0128

**This Notice of Changes includes the following [Check the ones included]:**

1. CLASSIFICATION SCHEME CHANGES

- A. New, Modified or Deleted Group(s)
- B. New, Modified or Deleted Warning(s)
- C. New, Modified or Deleted Note(s)
- D. New, Modified or Deleted Guidance Heading(s)

2. DEFINITIONS

- A. New or Modified Definitions (Full definition template)
- B. Modified or Deleted Definitions (Definitions Quick Fix)

- 3.  REVISION CONCORDANCE LIST (RCL)
- 4.  CHANGES TO THE CPC-TO-IPC CONCORDANCE LIST (CICL)
- 5.  CHANGES TO THE CROSS-REFERENCE LIST (CRL)

CPC NOTICE OF CHANGES 846

DATE: MAY 1, 2020

PROJECT RP0128

1. CLASSIFICATION SCHEME CHANGES

A. New, Modified or Deleted Group(s)

**SUBCLASS B65D - CONTAINERS FOR STORAGE OR TRANSPORT OF ARTICLES OR MATERIALS, e.g. BAGS, BARRELS, BOTTLES, BOXES, CANS, CARTONS, CRATES, DRUMS, JARS, TANKS, HOPPERS, FORWARDING CONTAINERS; ACCESSORIES, CLOSURES, OR FITTINGS THEREFOR; PACKAGING ELEMENTS; PACKAGES**

<u>Type*</u>	<u>Symbol</u>	<u>Indent Level Number of dots (e.g. 0, 1, 2)</u>	<u>Title (new or modified) "CPC only" text should normally be enclosed in {curly brackets}**</u>	<u>Transferred to#</u>
T	B65D 33/2508	3	{using slide fasteners with interlocking members having a substantially uniform section throughout the length of the fastener; Sliders therefor}	
T	B65D 33/2516	4	{comprising tamper-indicating means, e.g. located within the fastener (provided in the slider B65D 33/2585)}	
T	B65D 33/2583	5	{the slide fastener being attached to one wall only}	
N	B65D 33/2584	4	{characterized by the slider}	
N	B65D 33/2585	5	{being provided with tamper-indicating means}	
N	B65D 33/2586	5	{being provided with a separating plow}	
N	B65D 33/25865	6	{reaching between the interlocking fastener profiles}	
N	B65D 33/2587	5	{the slider being made out of a plurality of pieces}	
N	B65D 33/2588	5	{being provided with flexing or moving parts}	
N	B65D 33/2589	4	{Bag or slide fastener details cooperating with the slider, e.g. details for removing or installing the slider}	
N	B65D 33/259	5	{End stops}	
F	B65D 33/2591	3	{using slide fasteners with interlocking members having a substantially uniform section throughout the length of the fastener and operated with a slider}	B65D 33/2508, B65D 33/2516, B65D 33/2525, B65D 33/2533, B65D 33/2541, B65D 33/255, B65D 33/2558, B65D 33/2566, B65D 33/2575 B65D 33/2583,

CPC NOTICE OF CHANGES 846

DATE: MAY 1, 2020

PROJECT RP0128

<u>Type*</u>	<u>Symbol</u>	<u>Indent Level Number of dots (e.g. 0, 1, 2)</u>	<u>Title (new or modified) "CPC only" text should normally be enclosed in {curly brackets}**</u>	<u>Transferred to#</u>
				B65D 33/2584, B65D 33/2585, B65D 33/2586, B65D 33/25865, B65D 33/2587, B65D 33/2588, B65D 33/2589, B65D 33/259
C	B65D 33/34	2	with special means for indicating unauthorised opening {(B65D 33/2516, B65D 33/2585 take precedence)}	B65D 33/2585, B65D 33/34
C	B65D 57/00	0	Internal frames or supports for flexible articles, e.g. stiffeners; Separators for articles packaged in stacks or groups, e.g. for preventing adhesion of sticky articles {(B65D 71/70 takes precedence)}	B65D 57/00, B65D 57/002, B65D 57/003, B65D 57/004, B65D 57/005, B65D 57/006
N	B65D 57/002	1	{Separators for articles packaged in stacks or groups, e.g. stacked or nested}	
N	B65D 57/003	2	{for horizontally placed articles, i.e. for stacked or nested articles}	
N	B65D 57/004	3	{the articles being substantially flat panels, e.g. wooden planks}	
N	B65D 57/005	2	{Separators for vertically placed articles}	
N	B65D 57/006	3	{the articles being substantially flat panels, e.g. wooden planks or photovoltaic panels}	
C	B65D 79/005	1	{Packages having deformable parts for indicating or neutralizing internal pressure-variations by other means than venting}	B65D 79/005, B65D 79/008, B65D 79/0081, B65D 79/0084, B65D 79/0087
N	B65D 79/008	2	{the deformable part being located in a rigid or semi-rigid container, e.g. in bottles or jars}	
N	B65D 79/0081	3	{in the bottom part thereof}	
N	B65D 79/0084	3	{in the sidewall or shoulder part thereof}	
N	B65D 79/0087	2	{the deformable part being located in a closure, e.g. in caps or lids}	

CPC NOTICE OF CHANGES 846

DATE: MAY 1, 2020

PROJECT RP0128

<b>Type*</b>	<b>Symbol</b>	<b>Indent Level Number of dots (e.g. 0, 1, 2)</b>	<b>Title (new or modified) "CPC only" text should normally be enclosed in {curly brackets}**</b>	<b>Transferred to#</b>
U	B65D 81/00		Containers, packaging elements, or packages, for contents presenting particular transport or storage problems, or adapted to be used for non-packaging purposes after removal of contents	
D	B65D 2081/001			<administrative transfer to B65D85/804>
D	B65D 2081/002			<administrative transfer to B65D85/808>
D	B65D 2081/004			<administrative transfer to B65D85/812>
D	B65D 2081/005			<administrative transfer to B65D85/8085>
D	B65D 2081/007			<administrative transfer to B65D85/8043>
D	B65D 2081/008			<administrative transfer to B65D85/816>
C	B65D 85/8043	3	{Packages adapted to allow liquid to pass through the contents (B65D 85/808 takes precedence; filters or reusable cartridges for coffee or tea makers, not used as packages A47J 31/06)}	B65D 85/8043, B65D 85/8049, B65D 85/8052, B65D 85/8055, B65D 85/8058, B65D 85/8061, B65D 85/8064, B65D 85/8067
C	B65D 85/8046	4	{Pods, i.e. closed containers made only of filter paper or similar material}	B65D 85/8046, B65D 85/8049, B65D 85/8052, B65D 85/8055, B65D 85/8058, B65D 85/8061, B65D 85/8064, B65D 85/8067
N	B65D 85/8049	4	{Details of the inlet}	
N	B65D 85/8052	4	{Details of the outlet}	
N	B65D 85/8055	4	{Means for influencing the liquid flow inside the package}	
N	B65D 85/8058	4	{Coding means for the contents}	
N	B65D 85/8061	4	{Filters}	
N	B65D 85/8064	4	{Sealing means for the interface with the processing machine}	
N	B65D 85/8067	4	{Packages for several ingredients}	

\*N = new entries where reclassification into entries is involved; C = entries with modified file scope where reclassification of documents from the entries is involved; Q = new entries which are firstly populated with documents via administrative transfers from deleted (D) entries. Afterwards, the transferred documents into the Q entry will either stay or be moved to more appropriate entries, as determined by intellectual reclassification; T= existing entries with enlarged file scope, which receive documents from C or D entries, e.g. when a limiting reference is removed from the entry title; M = entries with no change to the file scope (no reclassification); D = deleted entries; F = frozen entries will be deleted once reclassification of documents from the entries is completed; U = entries that are unchanged.

## CPC NOTICE OF CHANGES 846

DATE: MAY 1, 2020

PROJECT RP0128

### NOTES:

- \*\*No {curly brackets} are used for titles in CPC only subclasses, e.g. C12Y, A23Y; 2000 series symbol titles of groups found at the end of schemes (orthogonal codes); or the Y section titles. The {curly brackets} are used for 2000 series symbol titles found interspersed throughout the main trunk schemes (breakdown codes).
- U groups: it is obligatory to display the required “anchor” symbol (U group), i.e. the entry immediately preceding a new group or an array of new groups to be created (in case new groups are not clearly subgroups of C-type groups). Always include the symbol, indent level and title of the U group in the table above.
- All entry types should be included in the scheme changes table above for better understanding of the overall scheme change picture. Symbol, indent level, and title are required for all types.
- “Transferred to” column must be completed for all C, D, F, and Q type entries. F groups will be deleted once reclassification is completed.
- When multiple symbols are included in the “Transferred to” column, avoid using ranges of symbols in order to be as precise as possible.
- For administrative transfer of documents, the following text should be used: “< administrative transfer to XX>”, “<administrative transfer to XX and YY simultaneously>”, or “<administrative transfer to XX, YY, ...and ZZ simultaneously>” when administrative transfer of the same documents is to more than one place.
- Administrative transfer to main trunk groups is assumed to be the source allocation type, unless otherwise indicated.
- Administrative transfer to 2000/Y series groups is assumed to be “additional information”.
- If needed, instructions for allocation type should be indicated within the angle brackets using the abbreviations “ADD” or “INV”: <administrative transfer to XX ADD> , <administrative transfer to XX INV>, or < administrative transfer to XX ADD, YY INV, ... and ZZ ADD simultaneously>.
- In certain situations, the “D” entries of 2000-series or Y-series groups may not require a destination (“Transferred to”) symbol, however it is required to specify “<no transfer>” in the “Transferred to” column for such cases.
- For finalisation projects, the deleted “F” symbols should have <no transfer> in the “Transferred to” column.
- For more details about the types of scheme change, see CPC Guide.

CPC NOTICE OF CHANGES 846

DATE: MAY 1, 2020

PROJECT RP0128

B. New, Modified or Deleted Warning notice(s)

**SUBCLASS B65D - CONTAINERS FOR STORAGE OR TRANSPORT OF ARTICLES OR MATERIALS, e.g. BAGS, BARRELS, BOTTLES, BOXES, CANS, CARTONS, CRATES, DRUMS, JARS, TANKS, HOPPERS, FORWARDING CONTAINERS; ACCESSORIES, CLOSURES, OR FITTINGS THEREFOR; PACKAGING ELEMENTS; PACKAGES**

<u>Type*</u>	<u>Location</u>	<u>Old Warning notice</u>	<u>New/Modified Warning notice</u>
N	B65D 33/2508		Groups B65D 33/2508 - B65D 33/259 are incomplete pending reclassification of documents from group B65D 33/2591. Groups B65D 33/2508 - B65D33/259 and B65D 33/2591 should be considered in order to perform a complete search.
N	B65D 33/2591		Group B65D 33/2591 is no longer used for the classification of documents as of February 1, 2020. The content of this group is being reclassified into groups B65D 33/2508 - B65D 33/259. All groups listed in this Warning should be considered in order to perform a complete search.
N	B65D 33/34		Group B65D 33/34 is impacted by reclassification into group B65D 33/2585. Groups B65D 33/34 and B65D 33/2585 should be considered in order to perform a complete search.
N	B65D 57/00		Group B65D 57/00 is impacted by reclassification into groups B65D 57/00 - B65D 57/006. All groups listed in this Warning should be considered in order to perform a complete search.
N	B65D 57/002		Groups B65D 57/002 – B65D 57/006 are incomplete pending reclassification of documents from group B65D57/00. Groups B65D 57/002 – B65D 57/006 and B65D 57/00 should be considered in order to perform a complete search.
N	B65D 79/005		Group B65D 79/005 is impacted by reclassification into groups B65D 79/005 - B65D 79/0087. All groups listed in this Warning should be considered in order to perform a complete search.
N	B65D 79/008		Groups B65D 79/008 – B65D 79/0084 are incomplete pending reclassification of documents from group B65D 79/005. Groups B65D

CPC NOTICE OF CHANGES 846

DATE: MAY 1, 2020

PROJECT RP0128

<u>Type*</u>	<u>Location</u>	<u>Old Warning notice</u>	<u>New/Modified Warning notice</u>
			79/008 – B65D 79/0084 and B65D 79/005 should be considered in order to perform a complete search.
N	B65D 79/0087		Group B65D 79/0087 is incomplete pending reclassification of documents from group B65D 79/005. Groups B65D 79/0087 and B65D 79/005 should be considered in order to perform a complete search.
N	B65D 85/8043		Group B65D 85/8043 is impacted by reclassification into groups B65D 85/8043 and B65D 85/8049 -B65D 85/8067. All groups listed in this Warning should be considered in order to perform a complete search.
N	B65D 85/8046		Group B65D 85/8046 is impacted by reclassification into groups B65D 85/8046 -B65D 85/8067. All groups listed in this Warning should be considered in order to perform a complete search.
N	B65D 85/8049		Group B65D 85/8049 is incomplete pending reclassification of documents from groups B65D 85/8043 and B65D 85/8046. Groups B65D 85/8043, B65D 85/8046, and B65D 85/8049 should be considered in order to perform a complete search.
N	B65D 85/8052		Group B65D 85/8052 is incomplete pending reclassification of documents from groups B65D 85/8043 and B65D 85/8046. Groups B65D 85/8043, B65D 85/8046, and B65D 85/8052 should be considered in order to perform a complete search.
N	B65D 85/8055		Group B65D 85/8055 is incomplete pending reclassification of documents from groups B65D 85/8043 and B65D 85/8046. Groups B65D 85/8043, B65D 85/8046, and B65D 85/8055 should be considered in order to perform a complete search.
N	B65D 85/8058		Group B65D 85/8058 is incomplete pending reclassification of documents from groups B65D 85/8043 and B65D 85/8046. Groups B65D 85/8043, B65D 85/8046, and B65D 85/8058 should be considered in order to perform a complete search.



CPC NOTICE OF CHANGES 846

DATE: MAY 1, 2020

PROJECT RP0128

<u>Type*</u>	<u>Location</u>	<u>Old Warning notice</u>	<u>New/Modified Warning notice</u>
N	B65D 85/8061		Group B65D 85/8061 is incomplete pending reclassification of documents from groups B65D 85/8043 and B65D 85/8046. Groups B65D 85/8043, B65D 85/8046, and B65D 85/8061 should be considered in order to perform a complete search.
N	B65D 85/8064		Group B65D 85/8064 is incomplete pending reclassification of documents from groups B65D 85/8043 and B65D 85/8046. Groups B65D 85/8043, B65D 85/8046, and B65D 85/8064 should be considered in order to perform a complete search.
N	B65D 85/8067		Group B65D 85/8067 is incomplete pending reclassification of documents from groups B65D 85/8043 and B65D 85/8046. Groups B65D 85/8043, B65D 85/8046, and B65D 85/8067 should be considered in order to perform a complete search.

\*N = new warning, M = modified warning, D = deleted warning

NOTE: The "Location" column only requires the symbol PRIOR to the location of the warning. No further directions such as "before" or "after" are required.

CPC NOTICE OF CHANGES 846

DATE: MAY 1, 2020

PROJECT RP0128

C. New, Modified or Deleted Note(s)

**SUBCLASS B65D - CONTAINERS FOR STORAGE OR TRANSPORT OF ARTICLES OR MATERIALS, e.g. BAGS, BARRELS, BOTTLES, BOXES, CANS, CARTONS, CRATES, DRUMS, JARS, TANKS, HOPPERS, FORWARDING CONTAINERS; ACCESSORIES, CLOSURES, OR FITTINGS THEREFOR; PACKAGING ELEMENTS; PACKAGES**

<u>Type*</u>	<u>Location</u>	<u>Old Note</u>	<u>New/Modified Note</u>
M	B65D 85/00	Attention is drawn to Note (4) following the title of this subclass	Attention is drawn to Note (5) following the title of this subclass.
D	B65D 85/84	<b>NOTE</b> Attention is drawn to Note (11) following the Subclass Index	<u>Delete</u> the existing note.

\*N = new note, M = modified note, D = deleted note

NOTE: The "Location" column only requires the symbol PRIOR to the location of the note. No further directions such as "before" or "after" are required.

## 2. A. DEFINITIONS (new)

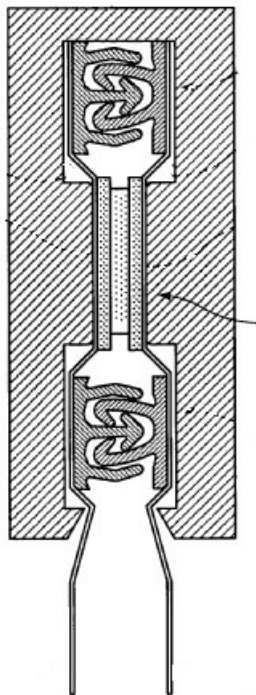
**Insert** the following new Definitions.

### **B65D33/2585**

#### **Definition statement**

*This place covers:*

Illustrative example of subject matter classified in this group.



#### **References**

##### **Informative references**

*Attention is drawn to the following places, which may be of interest for search:*

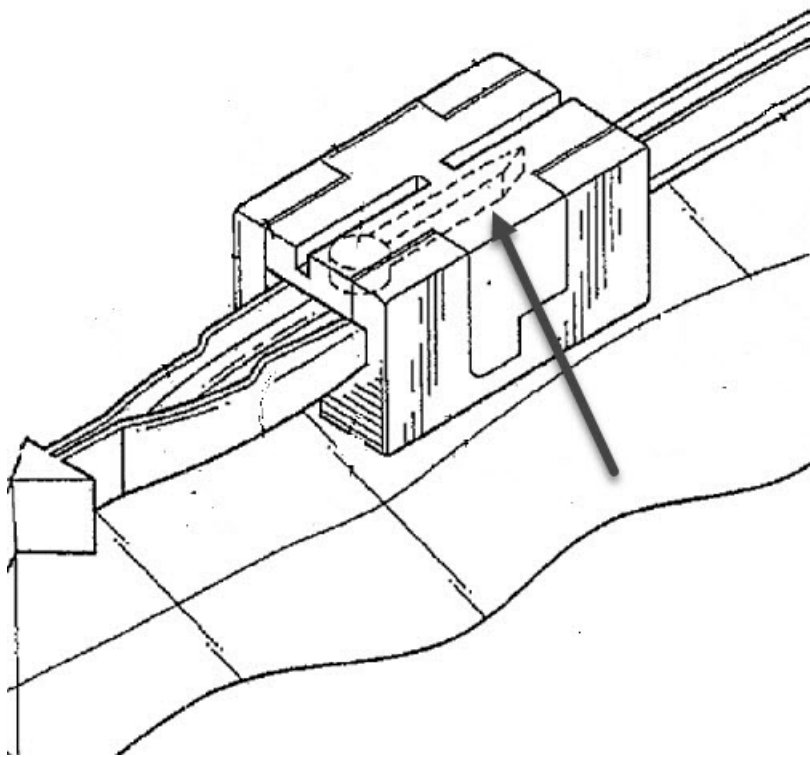
With special means for indicating unauthorized opening	B65D 33/34
--	------------

**B65D33/2586**

**Definition statement**

*This place covers:*

Illustrative example of subject matter classified in this group.

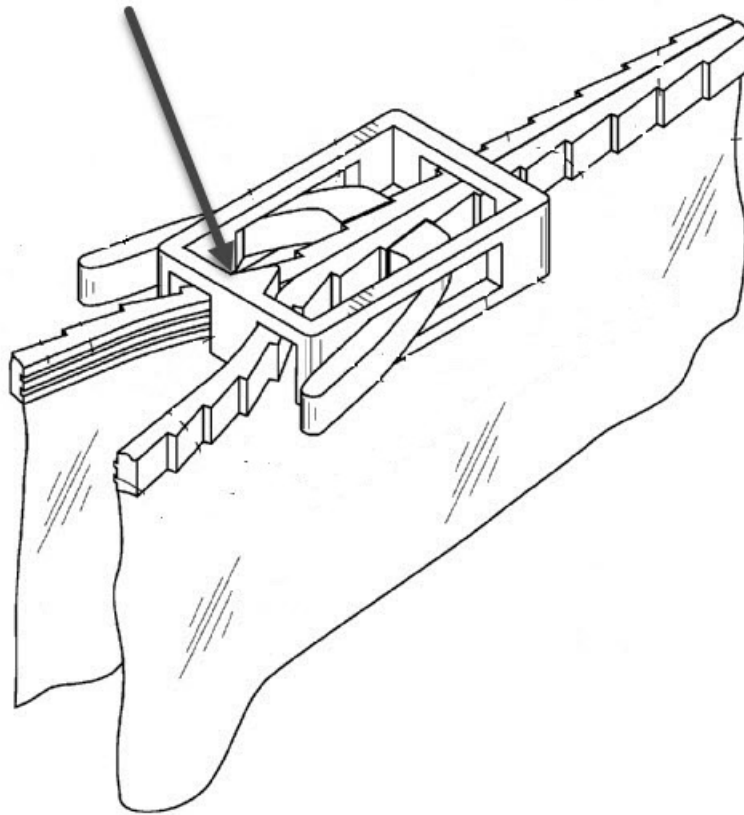


**B65D33/25865**

**Definition statement**

*This place covers:*

Illustrative example of subject matter classified in this group.

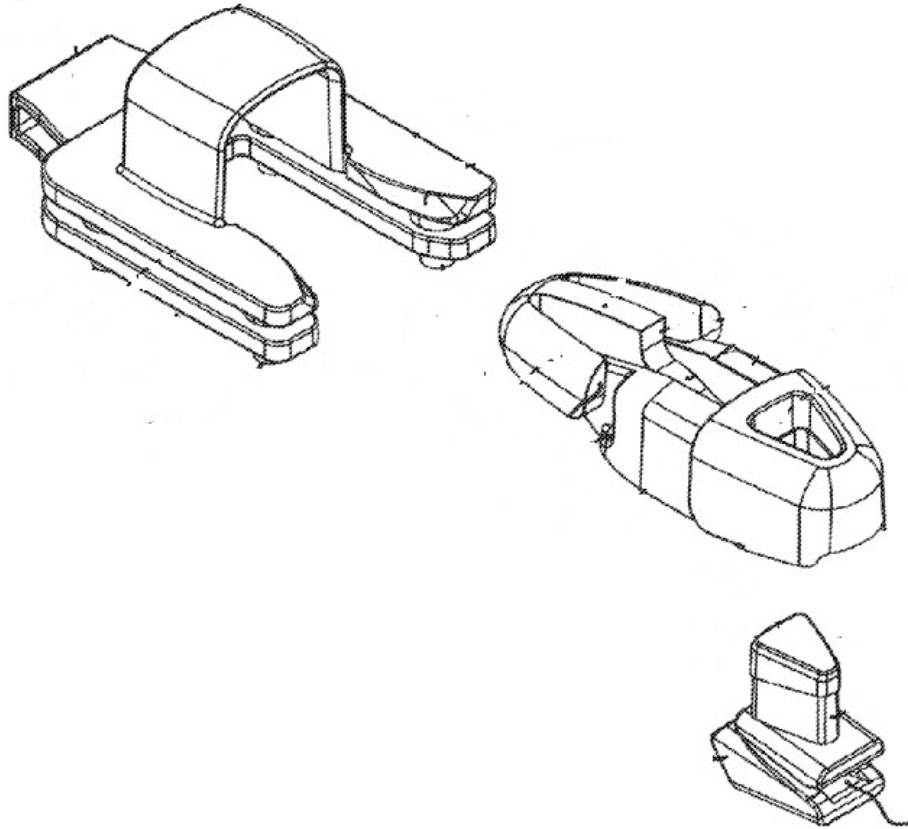


**B65D33/2587**

**Definition statement**

*This place covers:*

Illustrative example of subject matter classified in this group.

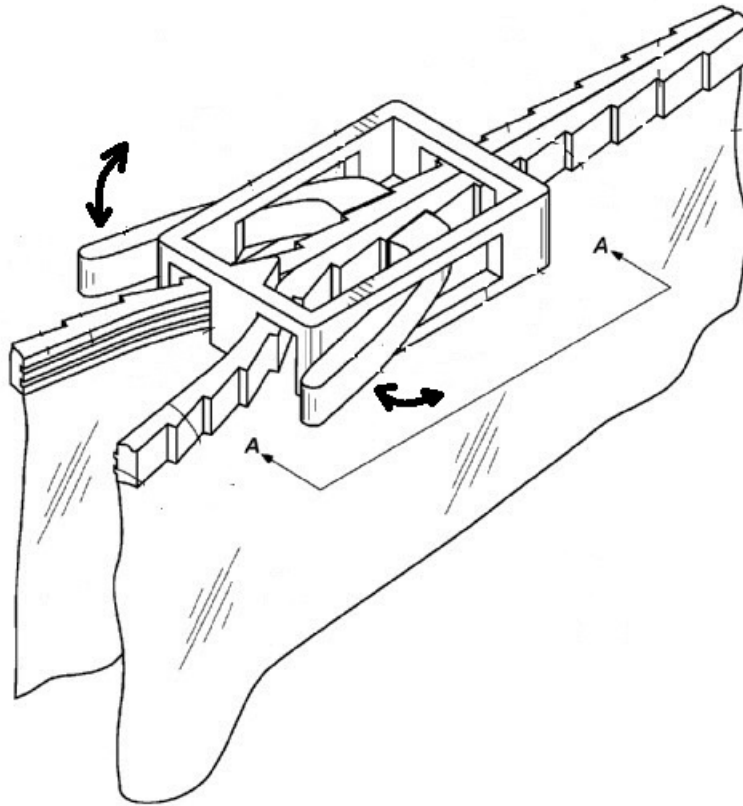


**B65D33/2588**

**Definition statement**

*This place covers:*

Illustrative example of subject matter classified in this group.

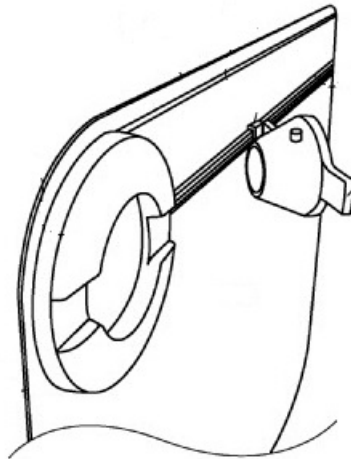
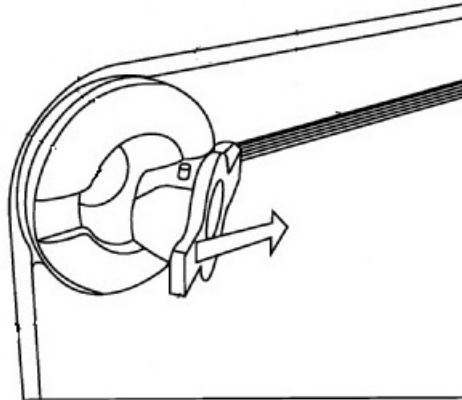


**B65D33/2589**

**Definition statement**

*This place covers:*

Illustrative example of subject matter classified in this group.



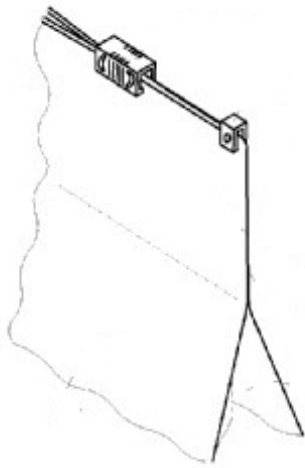


**B65D33/259**

**Definition statement**

*This place covers:*

Illustrative example of subject matter classified in this group.

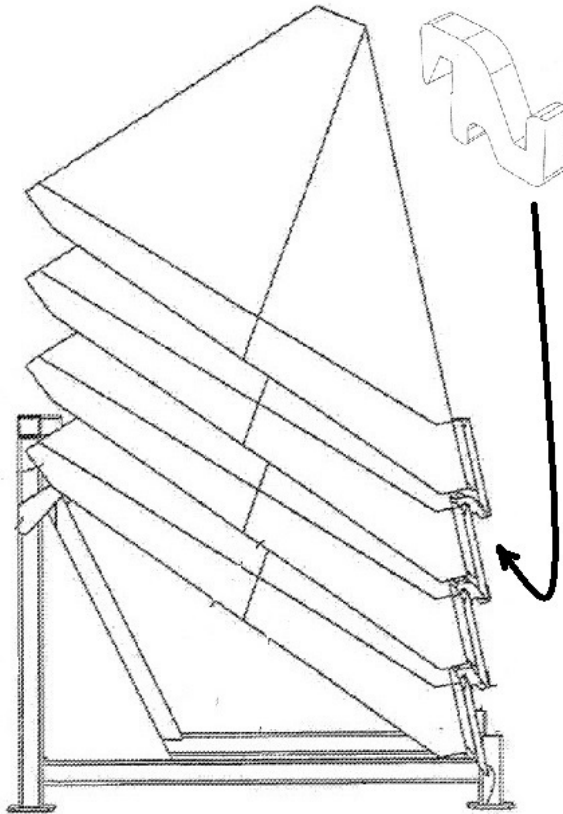


**B65D57/003**

**Definition statement**

*This place covers:*

Illustrative example of subject matter classified in this group.



**References**

**Informative references**

*Attention is drawn to the following places, which may be of interest for search:*

Trays provided with projection or recesses in order to assemble multiple articles, e.g. intermediate elements for stacking	<a href="#">B65D71/70</a>
Spacers or "stickers" for drying wood or similar material	<a href="#">F26B25/18</a>

DATE: MAY 1, 2020

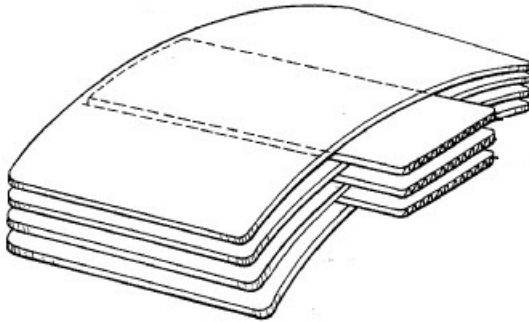
PROJECT RP0128

## **B65D57/004**

### **Definition statement**

*This place covers:*

Illustrative example of subject matter classified in this group.



### **References**

Informative references

*Attention is drawn to the following places, which may be of interest for search:*

Spacers or "stickers" for drying wood or similar material
---

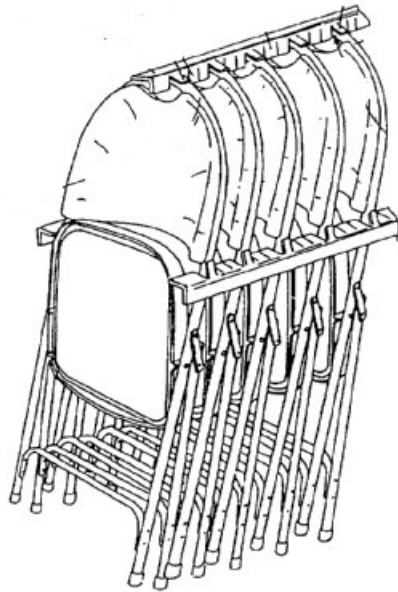
<a href="#">F26B25/18</a>
---------------------------

**B65D57/005**

**Definition statement**

*This place covers:*

Illustrative example of subject matter classified in this group.

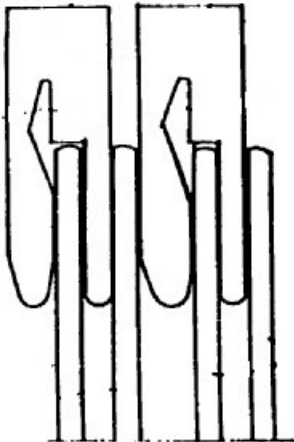
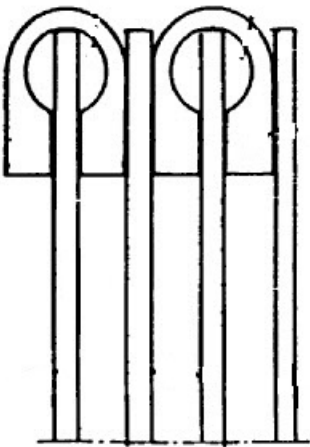


**B65D57/006**

**Definition statement**

*This place covers:*

Illustrative example of subject matter classified in this group.

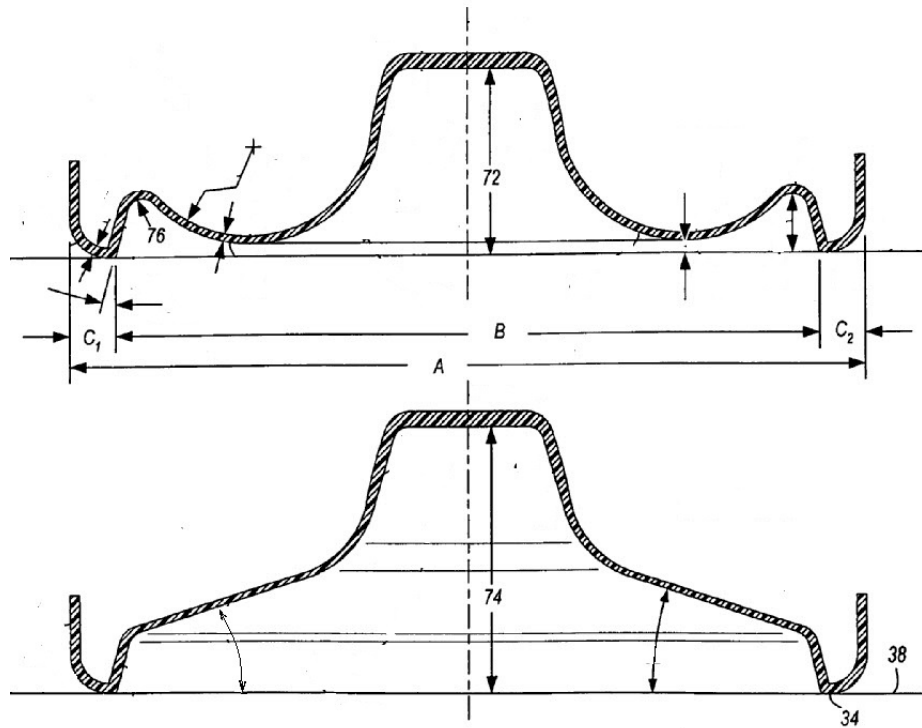


**B65D79/0081**

**Definition statement**

*This place covers:*

Illustrative example of subject matter classified in this group.



**References**

Informative references

*Attention is drawn to the following places, which may be of interest for search:*

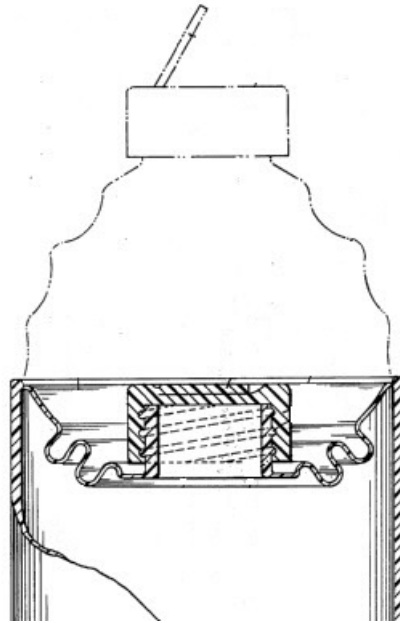
Bottom construction of bottles or similar	<a href="#">B65D 1/0261</a>
---	-----------------------------

**B65D79/0084**

**Definition statement**

*This place covers:*

Illustrative example of subject matter classified in this group.



**References**

**Informative references**

*Attention is drawn to the following places, which may be of interest for search:*

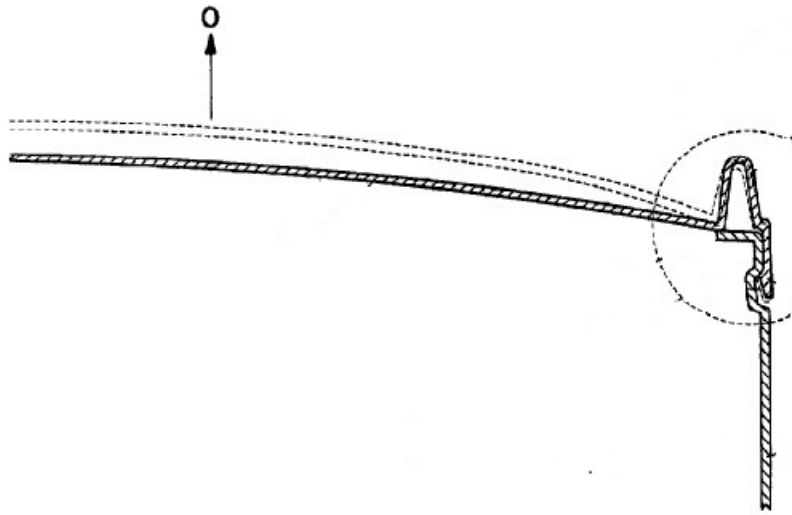
Foldable bottles	<a href="#">B65D 1/0292</a>
------------------	-----------------------------

**B65D79/0087**

**Definition statement**

*This place covers:*

Illustrative example of subject matter classified in this group.



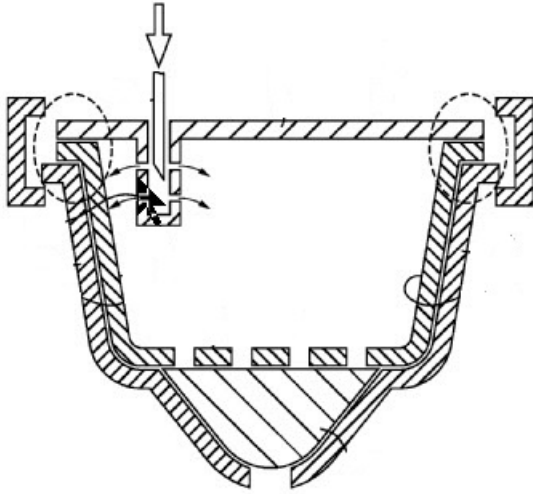


**B65D85/8049**

**Definition statement**

*This place covers:*

Illustrative example of subject matter classified in this group.

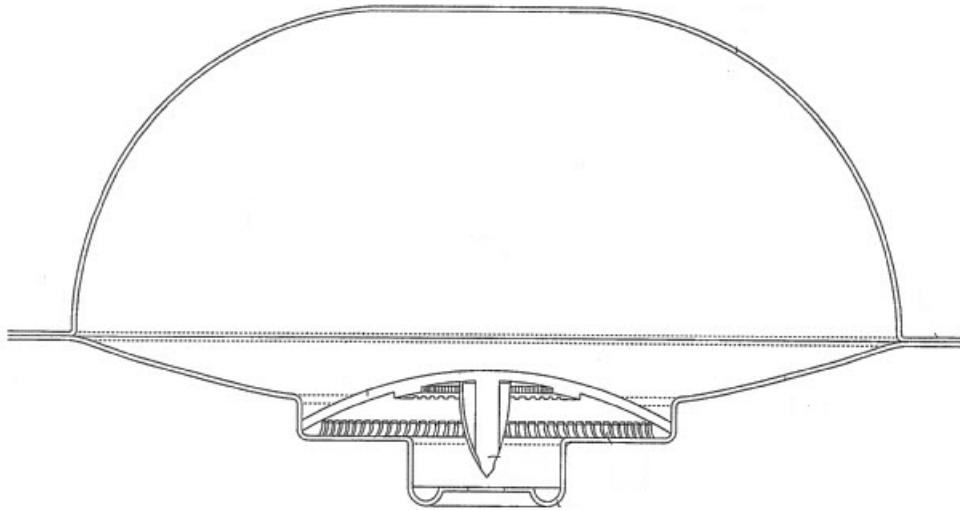


**B65D85/8052**

**Definition statement**

*This place covers:*

Illustrative example of subject matter classified in this group.

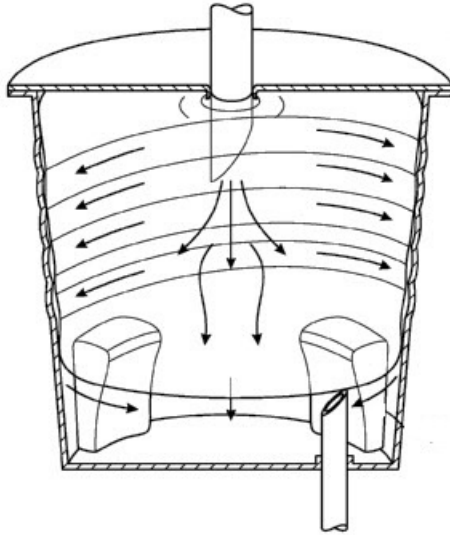


**B65D85/8055**

**Definition statement**

*This place covers:*

Illustrative example of subject matter classified in this group.

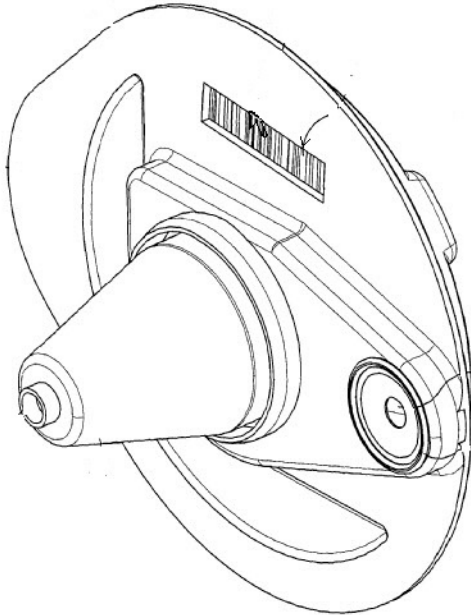


**B65D85/8058**

**Definition statement**

*This place covers:*

Illustrative example of subject matter classified in this group.

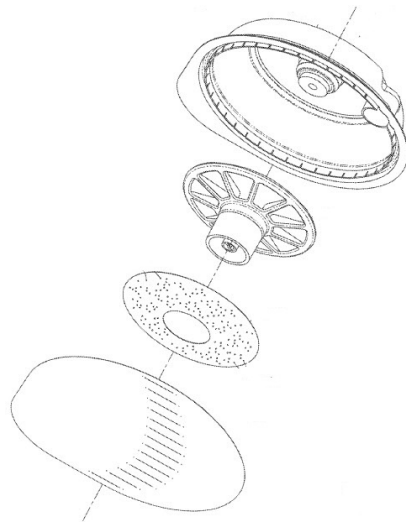


**B65D85/8061**

**Definition statement**

*This place covers:*

Illustrative example of subject matter classified in this group.

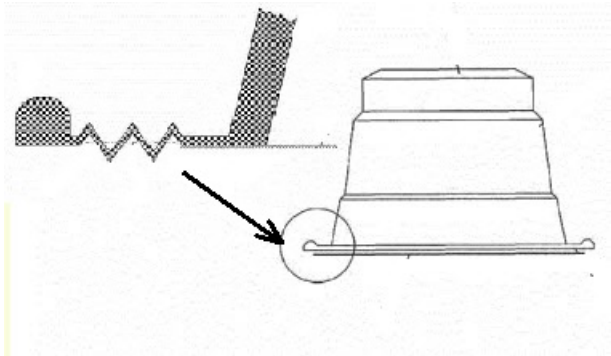


**B65D85/8064**

**Definition statement**

*This place covers:*

Illustrative example of subject matter classified in this group.

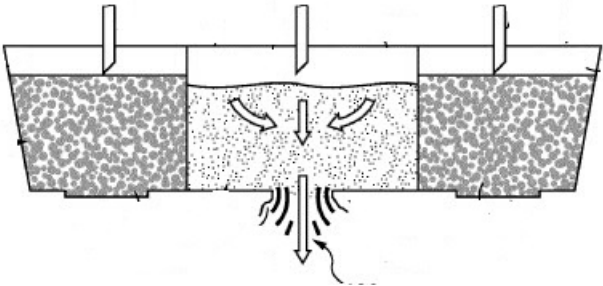


**B65D85/8067**

**Definition statement**

*This place covers:*

Illustrative example of subject matter classified in this group.



## 2. A. DEFINITIONS (modified)

### B65D33/2508

#### Definition statement

*This place covers:*

**Insert** the following new text in the Definition statement.

The use of a slide fastener as end or aperture closing arrangements or devices for sacks or bags, whereby the slide fastener is characterized by a pair of elongated interlocking members which are closed by a sliding action, either manually or by using a slider.

#### References

**Delete** the entire Limiting references section.

**Insert** the following new Informative references section.

#### Informative references

*Attention is drawn to the following places, which may be of interest for search:*

Slide fasteners per se	<a href="#">A44B19/00</a>
Making of slide fasteners	<a href="#">B29D5/00</a> , <a href="#">B29L2005/00</a>
Making reclosable bags with interengaging elements	<a href="#">B31B70/81</a> , <a href="#">B31B2160/10</a>
Applying profile strips to bags	<a href="#">B65B61/188</a>

DATE: MAY 1, 2020

PROJECT RP0128

## **B65D33/2516**

**Insert** the following new Limiting references section.

### **References**

### **Limiting references**

*This place does not cover:*

Tamper-indicating means provided in the slider	<a href="#">B65D33/2585</a>
--	-----------------------------

## **B65D33/34**

### **References**

### **Limiting references**

*This place does not cover:*

**Replace** the existing Limiting references table with the following table.

End- or aperture-closing arrangements using riveting, dovetailing, screwing press buttons or slide fasteners and comprising tamper-indicating means	<a href="#">B65D33/2516</a>
Slider being provided with tamper-indicating means	<a href="#">B65D33/2585</a>



DATE: MAY 1, 2020

PROJECT RP0128

**B65D57/00**

**References**

**Limiting references**

*This place does not cover:*

**Replace** the existing Limiting references table with the following table.

Trays provided with projections or recesses in order to assemble multiple articles	B65D71/70
--	-----------

**Insert** the following new References out of a residual place section.

**References out of a residual place**

*Examples of places in relation to which this place is residual:*

Internal frames for bags	B65D33/02
Spacers or 'stickers' for drying wood or similar material	F26B25/18, F26B25/185

**B65D85/8043**

**References**

**Limiting references**

*This place does not cover:*

**Replace** the existing second row (Apparatus for brewing ...A47J31/0668) in the Limiting references table with the following new row.

CPC NOTICE OF CHANGES 846

DATE: MAY 1, 2020

PROJECT RP0128

Filters or reusable cartridges for coffee or tea makers, not used as packages
---

<a href="#">A47J31/06</a>
---------------------------

CPC NOTICE OF CHANGES 846

DATE: MAY 1, 2020

PROJECT RP0128

3. REVISION CONCORDANCE LIST (RCL)

<u>Type*</u>	<u>From CPC Symbol (existing)</u>	<u>To CPC Symbol(s)</u>
F	B65D 33/2591	B65D 33/2508, B65D 33/2516, B65D 33/2525, B65D 33/2533, B65D 33/2541, B65D 33/255, B65D 33/2558, B65D 33/2566, B65D 33/2575 B65D 33/2583, B65D 33/2584, B65D 33/2585, B65D 33/2586, B65D 33/25865, B65D 33/2587, B65D 33/2588, B65D 33/2589, B65D 33/259
C	B65D 33/34	B65D 33/2585, B65D 33/34
C	B65D 57/00	B65D 57/00, B65D 57/002, B65D 57/003, B65D 57/004, B65D 57/005, B65D 57/006
C	B65D 79/005	B65D 79/005, B65D 79/008, B65D 79/0081, B65D 79/0084, B65D 79/0087
D	B65D 2081/001	<administrative transfer to B65D85/804>
D	B65D 2081/002	<administrative transfer to B65D85/808>
D	B65D 2081/004	<administrative transfer to B65D85/812>
D	B65D 2081/005	<administrative transfer to B65D85/8085>
D	B65D 2081/007	<administrative transfer to B65D85/8043>
D	B65D 2081/008	<administrative transfer to B65D85/816>
C	B65D 85/8043	B65D 85/8043, B65D 85/8049, B65D 85/8052, B65D 85/8055, B65D 85/8058, B65D 85/8061, B65D 85/8064, B65D 85/8067
C	B65D 85/8046	B65D 85/8046, B65D 85/8049, B65D 85/8052, B65D 85/8055, B65D 85/8058, B65D 85/8061, B65D 85/8064, B65D 85/8067

\* C = entries with modified file scope where reclassification of documents from the entries is involved; Q = new entries which are firstly populated with documents via administrative transfers from deleted (D) entries. Afterwards, the transferred documents into the Q entry will either stay or be moved to more appropriate entries, as determined by intellectual reclassification; D = deleted entries; F = frozen entries will be deleted once reclassification of documents from the entries is completed.

NOTES:

- Only C, D, F, and Q type entries are included in the table above.
- When multiple symbols are included in the “To” column, do not use ranges of symbols.
- For administrative transfer of documents, the following text should be used: “< administrative transfer to XX>”, “<administrative transfer to XX and YY simultaneously>”, or “<administrative transfer to XX, YY, ...and ZZ simultaneously>” when administrative transfer of the same documents is to more than one place.
- Administrative transfer to main trunk groups is assumed to be the source allocation type, unless otherwise indicated.

CPC NOTICE OF CHANGES 846

DATE: MAY 1, 2020

PROJECT RP0128

- Administrative transfer to 2000/Y series groups is assumed to be “additional information”.
- If needed, instructions for allocation type should be indicated within the angle brackets using the abbreviations “ADD” or “INV”: <administrative transfer to XX ADD>, <administrative transfer to XX INV>, or < administrative transfer to XX ADD, YY INV, ... and ZZ ADD simultaneously>.
- In certain situations, the “D” entries of 2000-series or Y-series groups may not require a destination (“To”) symbol, however it is required to specify “<no transfer>” in the “To” column for such cases.
- RCL is not needed for finalisation projects.

CPC NOTICE OF CHANGES 846

DATE: MAY 1, 2020

PROJECT RP0128

4. CHANGES TO THE CPC-TO-IPC CONCORDANCE LIST (CICL)

<u>CPC</u>	<u>IPC</u>	<u>Action*</u>
B65D 33/2584	B65D 33/25	NEW
B65D 33/2585	B65D 33/25	NEW
B65D 33/2586	B65D 33/25	NEW
B65D 33/25865	B65D 33/25	NEW
B65D 33/2587	B65D 33/25	NEW
B65D 33/2588	B65D 33/25	NEW
B65D 33/2589	B65D 33/25	NEW
B65D 33/259	B65D 33/25	NEW
B65D 57/002	B65D 57/00	NEW
B65D 57/003	B65D 57/00	NEW
B65D 57/004	B65D 57/00	NEW
B65D 57/005	B65D 57/00	NEW
B65D 57/006	B65D 57/00	NEW
B65D 79/008	B65D 79/00	NEW
B65D 79/0081	B65D 79/00	NEW
B65D 79/0084	B65D 79/00	NEW
B65D 79/0087	B65D 79/00	NEW
B65D 2081/001		DELETE
B65D 2081/002		DELETE
B65D 2081/004		DELETE
B65D 2081/005		DELETE
B65D 2081/007		DELETE
B65D 2081/008		DELETE
B65D 85/8049	B65D 85/804	NEW
B65D 85/8052	B65D 85/804	NEW
B65D 85/8055	B65D 85/804	NEW
B65D 85/8058	B65D 85/804	NEW
B65D 85/8061	B65D 85/804	NEW
B65D 85/8064	B65D 85/804	NEW
B65D 85/8067	B65D 85/804	NEW

\*Action column:

- For an (N) or (Q) entry, provide an IPC symbol and complete the Action column with “NEW.”
- For an existing CPC main trunk entry or indexing entry where the existing IPC symbol needs to be changed, provide an updated IPC symbol and complete the Action column with “UPDATED.”
- For a (D) CPC entry or indexing entry complete the Action column with “DELETE.” IPC symbol does not need to be included in the IPC column.
- For an (N) 2000 series CPC entry which is positioned within the main trunk scheme (breakdown code) provide an IPC symbol and complete the action column with “NEW”.
- For an (N) 2000 series CPC entry positioned at the end of the CPC scheme (orthogonal code), with no IPC equivalent, complete the IPC column with “CPCONLY” and complete the action column with “NEW”.

NOTES:

- F symbols are not included in the CICL table above.
- T and M symbols are not included in the CICL table above unless a change to the existing IPC is desired

CPC NOTICE OF CHANGES 846

DATE: MAY 1, 2020

PROJECT RP0128

5. CROSS-REFERENCE LIST (CRL)

Scheme references impacted by this revision project

<u>Location of reference to be changed</u>	<u>Referenced subclass or group to be changed</u>	<u>Action; New reference symbol; New text</u>
A44B 19/267	B65D 33/2591	B65D 33/2508

Definitions references impacted by this revision project

<u>Location of reference to be changed</u>	<u>Referenced subclass or group to be changed</u>	<u>Section of definition</u>	<u>Action; New reference symbol; New text</u>
A44B 19/00	B65D 33/2591	Limiting references	B65D 33/2508
A44B 19/16	B65D 33/2591	Limiting references	B65D 33/2508
A44B 19/267	B65D 33/2591	Limiting references	B65D 33/2508
A44B 19/32	B65D 33/2591	Limiting references	B65D 33/2508
A44B 19/36	B65D 33/2591	Limiting references	B65D 33/2508

NOTES:

- The CRL tables above are used for changes to locations **outside** of the project scope. Changes to references in scheme titles or definitions **inside** the project scope will be reflected in the “scheme change” template or one of the “definition” templates.
- In addition to other changes proposed in the tables above, in the column titled “Referenced subclass or group to be changed,” **referenced** D symbols should indicate an action of “delete” or should indicate a replacement symbol and **referenced** F symbols should indicate a replacement symbol.
- When a reference is deleted, text related to that reference will also be deleted unless other references or a range of references associated with the same text remain.