

EUROPEAN PATENT OFFICE
U.S. PATENT AND TRADEMARK OFFICE

CPC NOTICE OF CHANGES 929

DATE: AUGUST 1, 2020

PROJECT MP0465

The following classification changes will be effected by this Notice of Changes:

<u>Action</u>	<u>Subclass</u>	<u>Group(s)</u>
SCHEME:		
Titles Changed:	A01K	1/015, 1/12
	A01K	5/0128, 5/025
	A01K	7/06
	A01K	13/002
	A01K	15/02, 15/025, 15/029
	A01K	23/00
	A01K	29/00
	A01K	31/002, 31/10, 31/16
	A01K	89/00
Indents Changed:	A01K	5/025
DEFINITIONS:		
Definitions New:	A01K	1/0035, 1/0041, 1/0088, 1/0094, 1/0245, 1/0254, 1/0263, 1/0272, 1/0281
	A01K	5/0121, 5/0128, 5/0135, 5/0142
	A01K	7/005, 7/027
	A01K	11/003, 11/008
	A01K	15/026
	A01K	27/001, 27/002
Definitions Modified:	A01K	1/0005, 1/0017, 1/0029, 1/007, 1/0082, 1/01, 1/0107, 1/0128, 1/0132, 1/015, 1/0157, 1/0158, 1/0227, 1/0236, 1/029, 1/031, 1/033, 1/034, 1/035, 1/0356, 1/04, 1/06, 1/0613, 1/10, 1/105, 1/12, 1/126
	A01K	3/00, 3/002
	A01K	5/001, 5/002, 5/004, 5/008, 5/01, 5/0107, 5/0114, 5/015, 5/02, 5/0216, 5/0225, 5/0266, 5/0275, 5/0291
	A01K	7/00, 7/025, 7/06
	A01K	9/00, 9/005
	A01K	11/002, 11/006, 11/007
	A01K	13/00, 13/001, 13/002, 13/003, 13/004, 13/005, 13/006, 13/007
	A01K	14/00
	A01K	15/003, 15/006, 15/02, 15/021, 15/023, 15/024, 15/025, 15/027, 15/029, 15/04
	A01K	17/00
	A01K	23/00, 23/005
	A01K	25/00
	A01K	27/00, 27/007, 27/009
	A01K	29/00, 29/005
	A01K	31/00, 31/002, 31/005, 31/007, 31/02, 31/04, 31/07, 31/08, 31/10, 31/12, 31/16
	A01K	35/00
	A01K	39/012, 39/0213, 39/06

CPC NOTICE OF CHANGES 929

DATE: AUGUST 1, 2020

PROJECT MP0465

<u>Action</u>	<u>Subclass</u>	<u>Group(s)</u>
	A01K	43/00
	A01K	45/00, 45/007
	A01K	47/00, 47/06
	A01K	51/00
	A01K	53/00
	A01K	67/033
	A01K	73/00, 73/02, 73/06
	A01K	89/00

No other subclasses/groups are impacted by this Notice of Changes.

This Notice of Changes includes the following *[Check the ones included]:*

1. CLASSIFICATION SCHEME CHANGES

- A. New, Modified or Deleted Group(s)
- B. New, Modified or Deleted Warning(s)
- C. New, Modified or Deleted Note(s)
- D. New, Modified or Deleted Guidance Heading(s)

2. DEFINITIONS

- A. New or Modified Definitions (Full definition template)
- B. Modified or Deleted Definitions (Definitions Quick Fix)

- 3. REVISION CONCORDANCE LIST (RCL)
- 4. CHANGES TO THE CPC-TO-IPC CONCORDANCE LIST (CICL)
- 5. CHANGES TO THE CROSS-REFERENCE LIST (CRL)

CPC NOTICE OF CHANGES 929

DATE: AUGUST 1, 2020

PROJECT MP0465

1. CLASSIFICATION SCHEME CHANGES

A. New, Modified or Deleted Group(s)**SUBCLASS A01K - ANIMAL HUSBANDRY; CARE OF BIRDS, FISHES, INSECTS; FISHING; REARING OR BREEDING ANIMALS, NOT OTHERWISE PROVIDED FOR; NEW BREEDS OF ANIMALS**

<u>Type*</u>	<u>Symbol</u>	<u>Indent Level Number of dots (e.g. 0, 1, 2)</u>	<u>Title</u> <u>“CPC only” text should normally be enclosed in {curly brackets}**</u>	<u>Transferred to[#]</u>
M	A01K 1/015	1	Floor coverings, e.g. bedding-down sheets {; Stable floors}	
M	A01K1/12	1	Milking stations	
M	A01K5/0128	3	{Pet feeders including liners; liners therefor; Means for holding liners to pet feeders}	
M	A01K5/025	2	{with doors or lids activated by the animals to access feeding place or trough}	
M	A01K7/06	2	actuated by the animal {(for poultry A01K 39/0213)}	
M	A01K13/002	1	{Curry-combs; Brushes (shearing sheep B26B19/24)}	
M	A01K15/02	1	Training or exercising equipment, e.g. mazes or labyrinths for animals (A01K15/04 takes precedence){; Electric shock devices (circuits therefor H03K3/537); Toys specially adapted for animals}	
M	A01K15/025	2	{Toys specially adapted for animals}	
M	A01K15/029	2	{Electric or similar shock devices, e.g. prods}	
M	A01K23/00	0	Manure or urine pouches	
M	A01K29/00	0	Other apparatus for animal husbandry	
U	A01K29/005	1	{Monitoring or measuring activity, e.g. detecting heat or mating}	
M	A01K31/002	1	{Poultry cages, e.g. transport boxes (Harvesting or transport of poultry A01K45/005)}	
M	A01K31/10	1	Doors; Trap-doors	
M	A01K31/16	2	Laying nests for poultry; Egg collecting	
M	A01K89/00	0	Reels	

*N = new entries where reclassification into entries is involved; C = entries with modified file scope where reclassification of documents from the entries is involved; Q = new entries which are firstly populated with documents via administrative transfers from deleted (D) entries. Afterwards, the transferred documents into the Q entry will either stay or be moved to more appropriate entries, as determined by intellectual reclassification; T= existing entries with enlarged file scope, which receive documents from C or D entries, e.g. when a limiting reference is removed from the entry title; M = entries with no change to the file scope (no reclassification); D = deleted entries; F = frozen entries will be deleted once reclassification of documents from the entries is completed; U = entries that are unchanged.

2. A. DEFINITIONS (new)

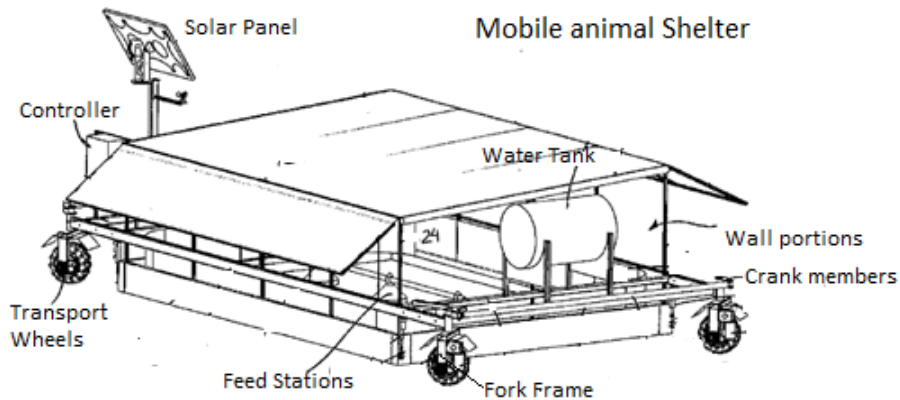
A01K1/0035

Definition statement

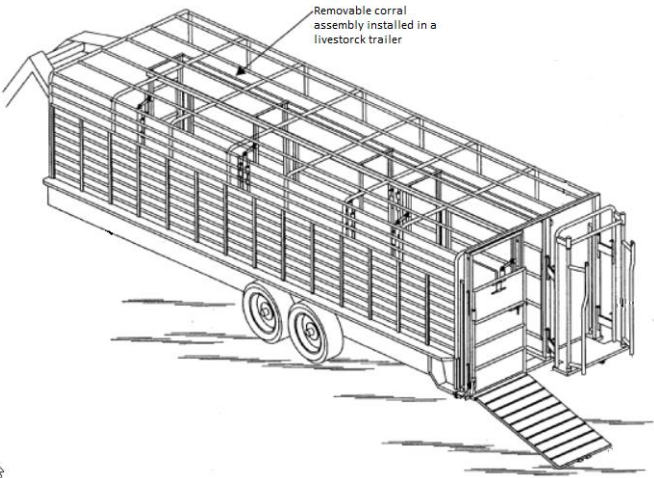
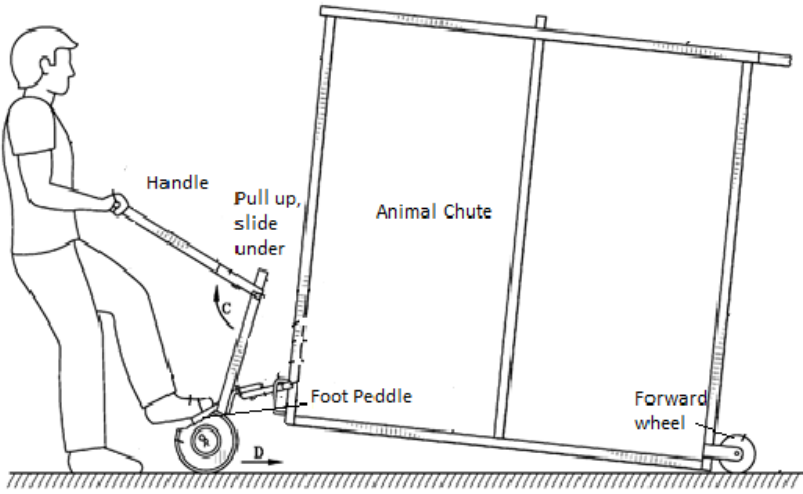
This place covers:

Shelters specially adapted for being transported and placed where needed. These shelters can be portable, collapsible, and modular, can include feeding, watering and an outdoor space and can be moved by the provision of wheels, towing hooks and the like.

These shelters are intended to be built or installed in situ for animals on the way and/or to be transported and installed in the place where needed to give shelter to animals.



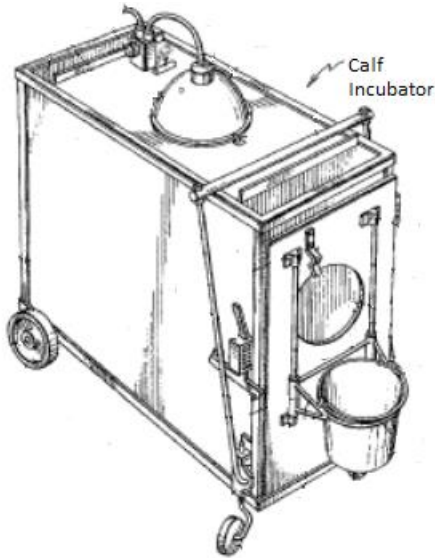
Chute puller and chute



4

DATE: AUGUST 1, 2020

PROJECT MP0465



Relationships with other classification places

This group does not cover the transport (e.g. carrying) of small-size animals (e.g. pets), which is covered by group A01K1/0236.

This group does not cover vehicles or trailers for the transport of big-sized animals which is covered by group B60P3/04.

References

Informative references

Attention is drawn to the following places, which may be of interest for search:

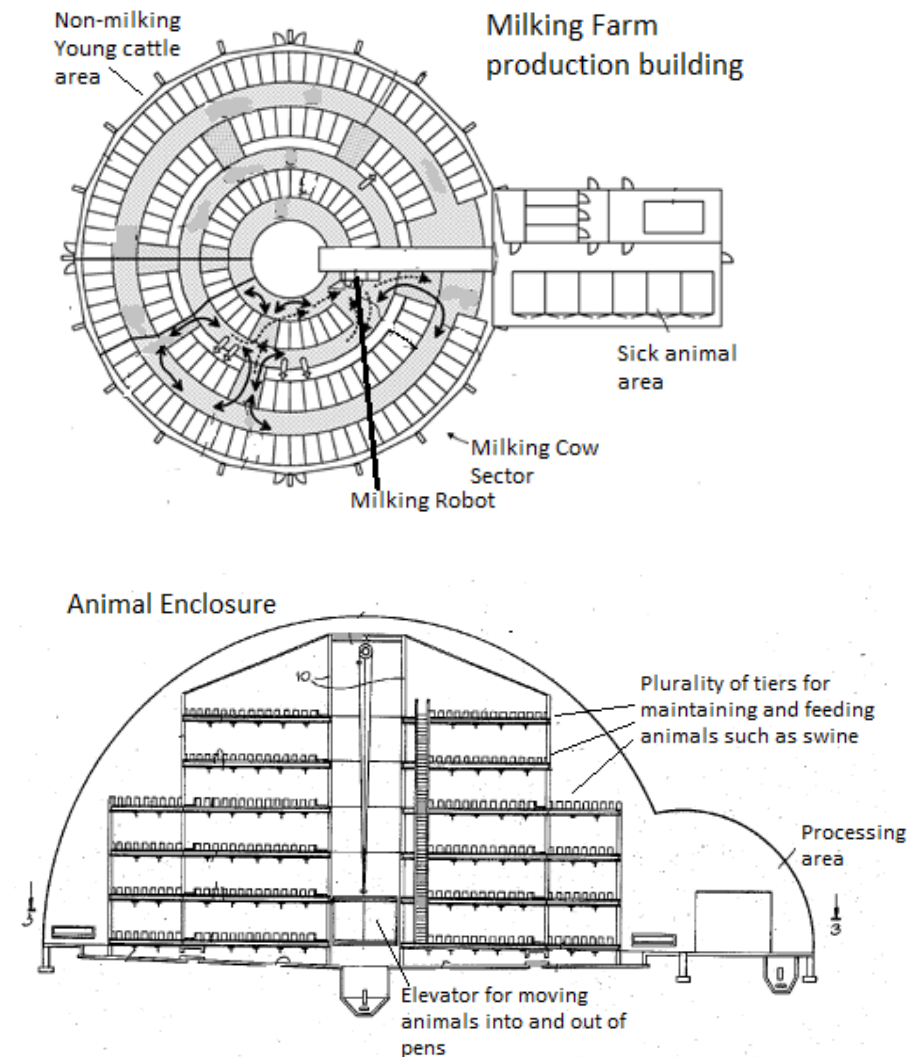
Transport boxes, bags, cages, baskets, harnesses for animals	A01K1/0236
Pasturing equipment, outdoor corrals or fences	A01K3/00
Vehicles for transporting animals	B60P3/04

A01K1/0041

Definition statement

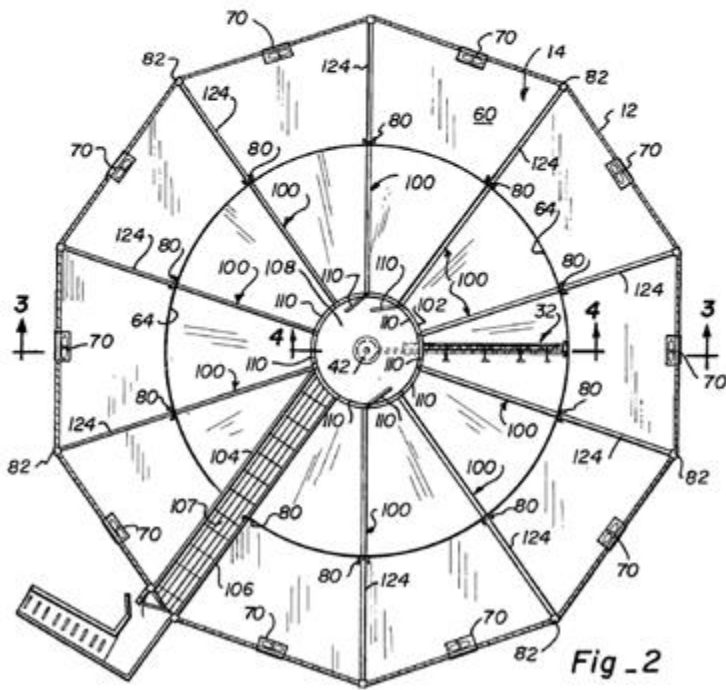
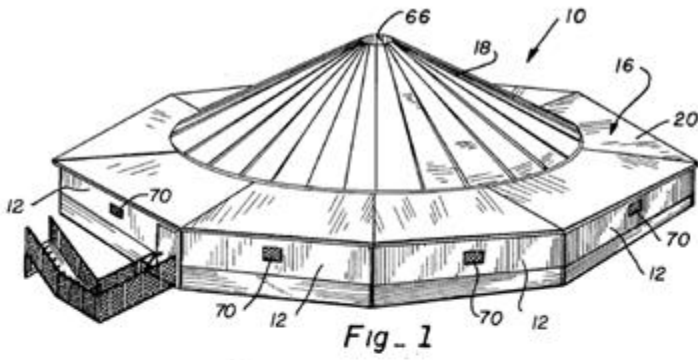
This place covers:

Buildings for housing animals comprising a mainly circular or round shape or rotating, e.g. circular plan view or round walls. These buildings can be rotary, can comprise flat walls forming a kind of circumference, e.g. hexagonal, octagonal, and decagonal, can be oval, can be connected to other structures and can be for individual or multiple animals.



DATE: AUGUST 1, 2020

PROJECT MP0465



DATE: AUGUST 1, 2020

PROJECT MP0465

References

Informative References

Attention is drawn to the following places, which may be of interest for search:

Fences and corrals for outdoor use	A01K3/00
Milking carousels	A01K1/126
Rotary buildings	E04B1/346

A01K1/0088

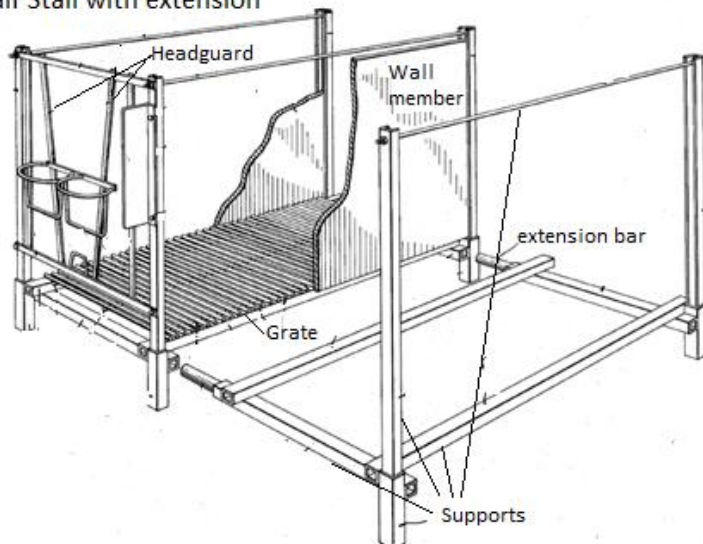
Definition statement

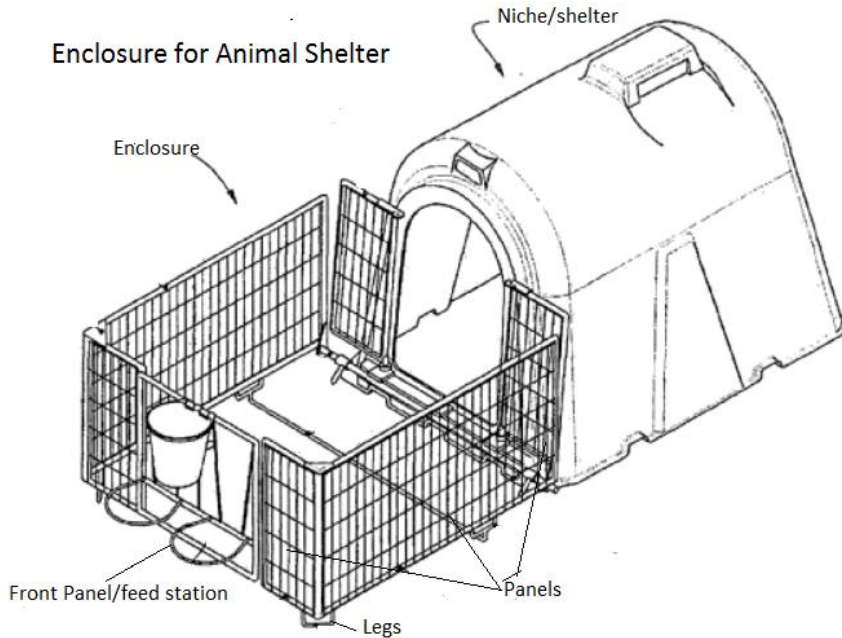
This place covers:

Shelters specially adapted for young farm animals, especially calves. These shelters can be transportable, collapsible, modular, can include warming or cooling means, feeding, watering and an outdoor space. Boxes for containing one calf.

Small igloos for animal.

Calf Stall with extension





Relationships with other classification places

Farrowing pens, e.g. wherein young piglets are raised often including devices for preventing the sow to lie on the piglets, are covered in A01K1/0218.

References

Informative References

Attention is drawn to the following places, which may be of interest for search:

Farrowing pens	A01K1/0218
----------------	----------------------------

A01K1/0094

Definition statement

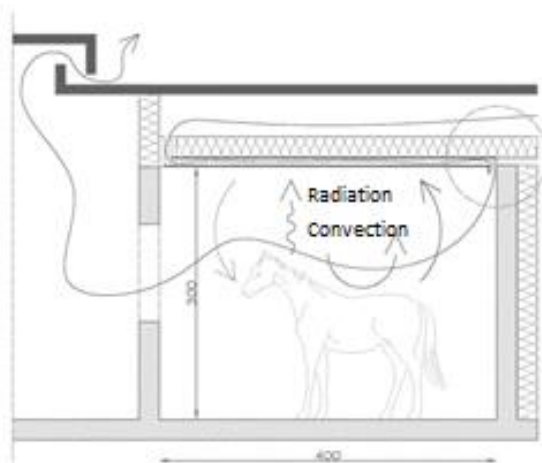
This place covers:

Enclosures directed for raising horses. These enclosures can include cooling or warming, feeding and/or watering and can be individual or multiple horses.

Structures to be installed in stalls for horses, e.g. to prevent crib biting.

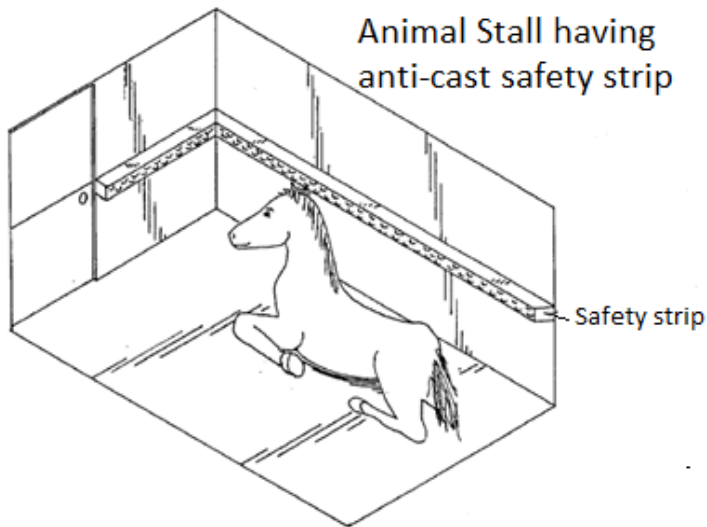
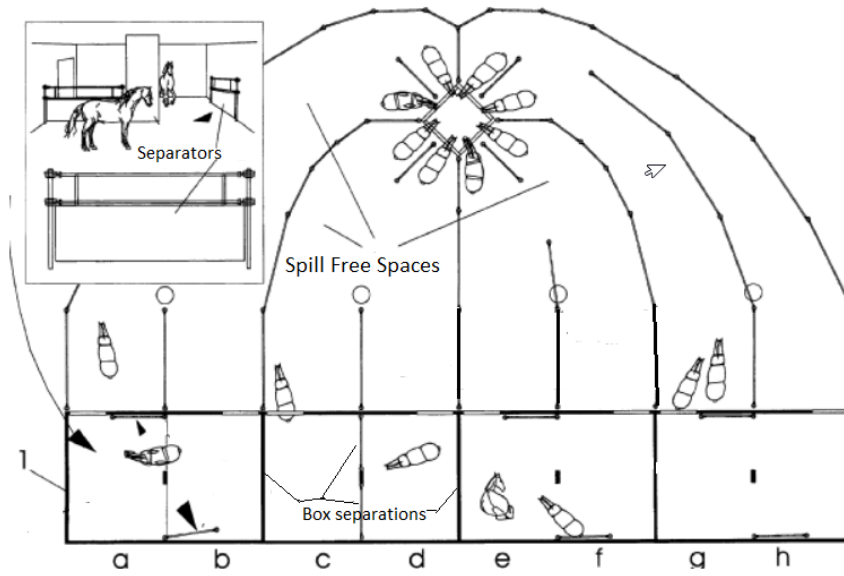
Gates especially designed for horse stalls.

Horse protectors and safety kerbing in doors, walls or buildings, e.g. skirting or stable bank.



DATE: AUGUST 1, 2020

PROJECT MP0465



References

Informative References

Attention is drawn to the following places, which may be of interest for search:

Transportable or mobile animal shelters

[A01K 1/0035](#)

Transport boxes, bags, cages, baskets, harnesses for animals	A01K1/0236
Containment apparatus for transport in automobiles	A01K1/0272
Vehicles adapted for transporting animals	B60P3/04

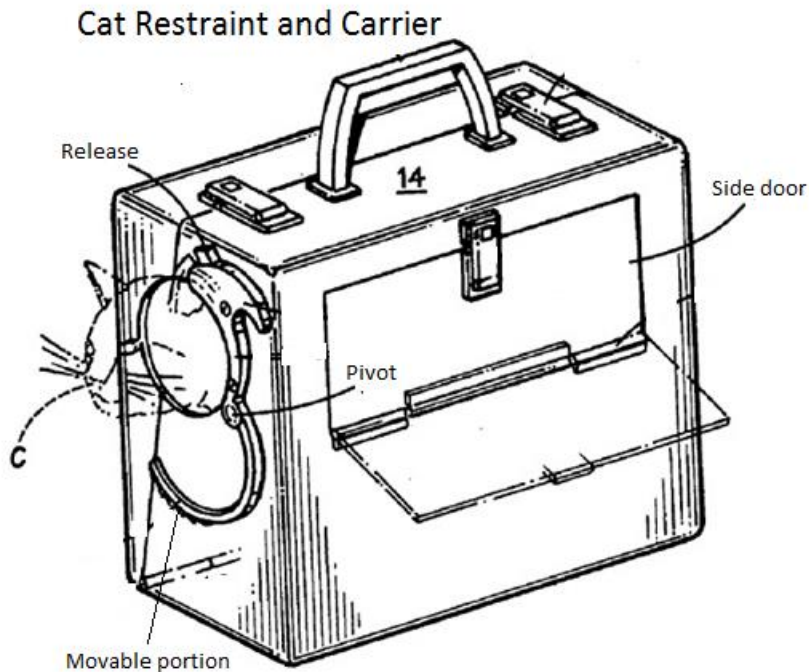
A01K1/0245

Definition statement

This place covers:

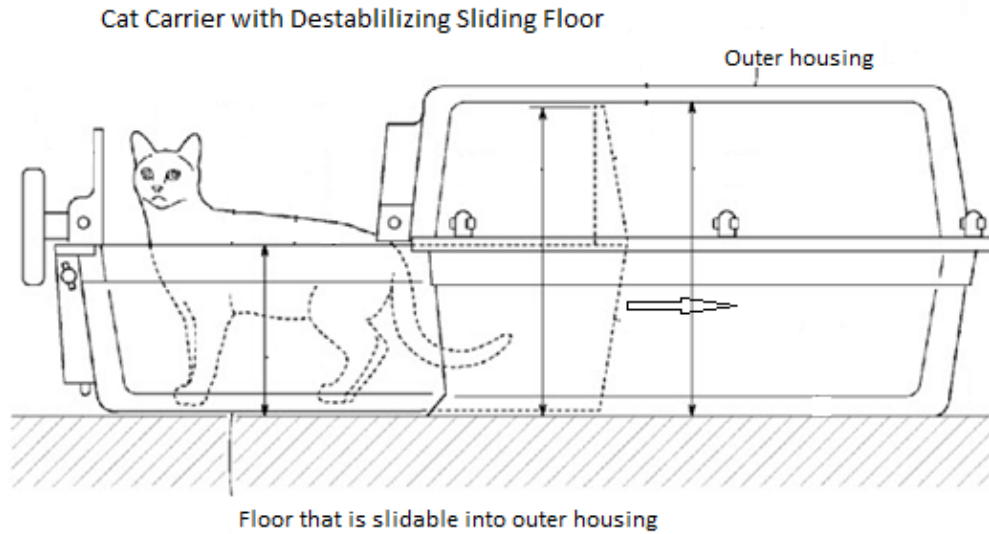
Rigid containers for transporting animals which can be intended for transport by hand, in automobiles, airplanes, trains, ships or shipping containers or any other means for transportation.

The boxes/cages can also have provisions for food/water, ventilation, etc.



DATE: AUGUST 1, 2020

PROJECT MP0465



References

Informative References

Attention is drawn to the following places, which may be of interest for search:

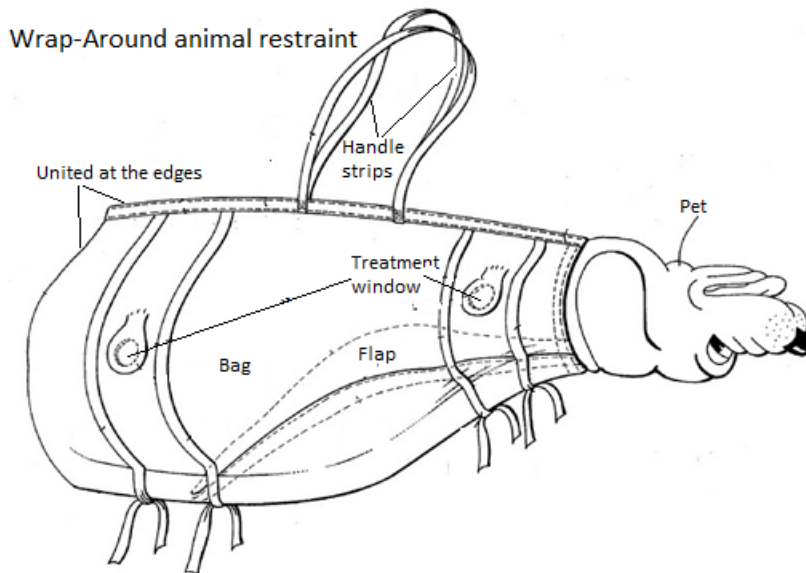
Boxes, bags, cages, baskets, harnesses especially adapted for transport in or on automobiles	A01K1/0272
Boxes, bags, cages, baskets, harnesses especially adapted for transport in or on bicycles or motorcycles	A01K1/0281
Boxes, bags, cages, baskets, harnesses especially adapted for carrying the animal on the body of a person	A01K1/029
Railway wagons adapted for carrying animals	B61D3/163
Vehicles adapted for transporting animals	B60P3/04

A01K1/0254

Definition statement

This place covers:

Bags, baskets or similar not rigid/flexible containers for transporting animals which can have handles or shoulder straps for carrying and can leave parts of the animal outside.



References

Informative References

Attention is drawn to the following places, which may be of interest for search:

Boxes, bags, cages, baskets, harnesses especially adapted for transport in or on automobiles	A01K1/0272
Boxes, bags, cages, baskets, harnesses especially adapted for transport in or on bicycles or motorcycles	A01K1/0281
Boxes, bags, cages, baskets, harnesses especially adapted for carrying the animal on the body of a person	A01K1/029

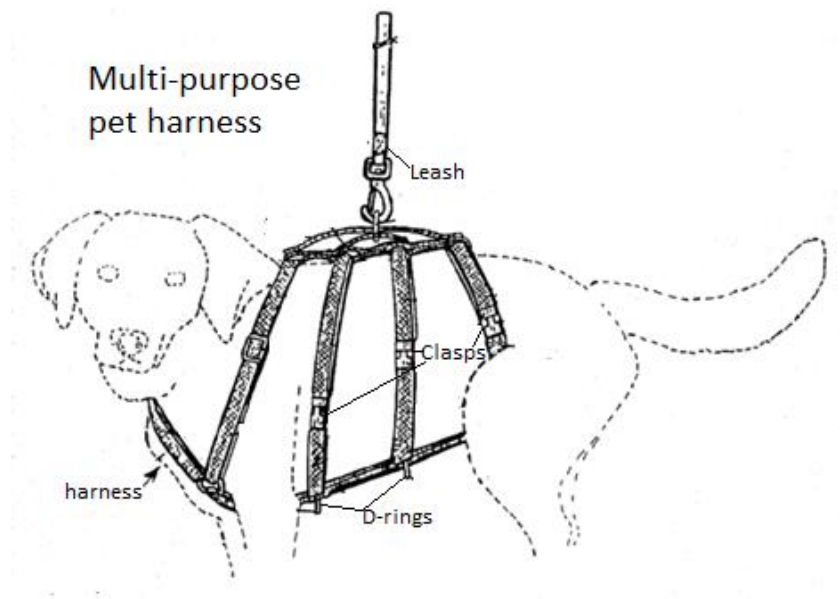
A01K1/0263

Definition statement

This place covers:

Harnesses for transporting, carrying or lifting animals.

These harnesses can be attachable to a seatbelt system.



References

Informative References

Attention is drawn to the following places, which may be of interest for search:

Safety belts or body harnesses in vehicles specially adapted for children or animals	B60R22/10
Harnesses	A01K27/002

DATE: AUGUST 1, 2020

PROJECT MP0465

A01K1/0272

Definition statement

This place covers:

Restraining means adapted to carry animals in or on automobiles, which can be interacting with the safety belt, passenger seat, trunk or luggage compartment, trailer or the like.

The restraining means can be a box, a bag, a cage, a basket, a harness or the like which can be either connected to the safety belt or built together with it, can be adapted for transport in the trunk of an automobile and /or can be intended to be transported in or on a car, bus, (fork-) truck, tractor, etc.

This group only covers (road) transport in wheeled motor vehicles.

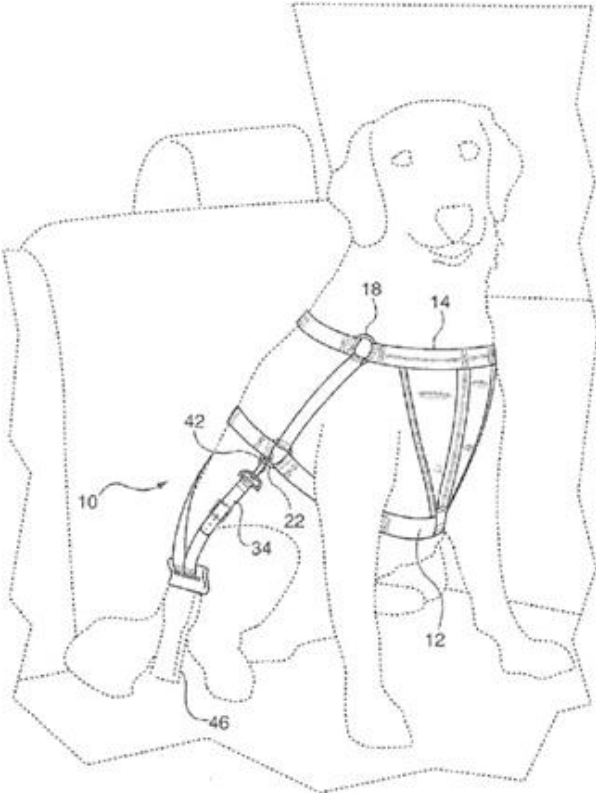
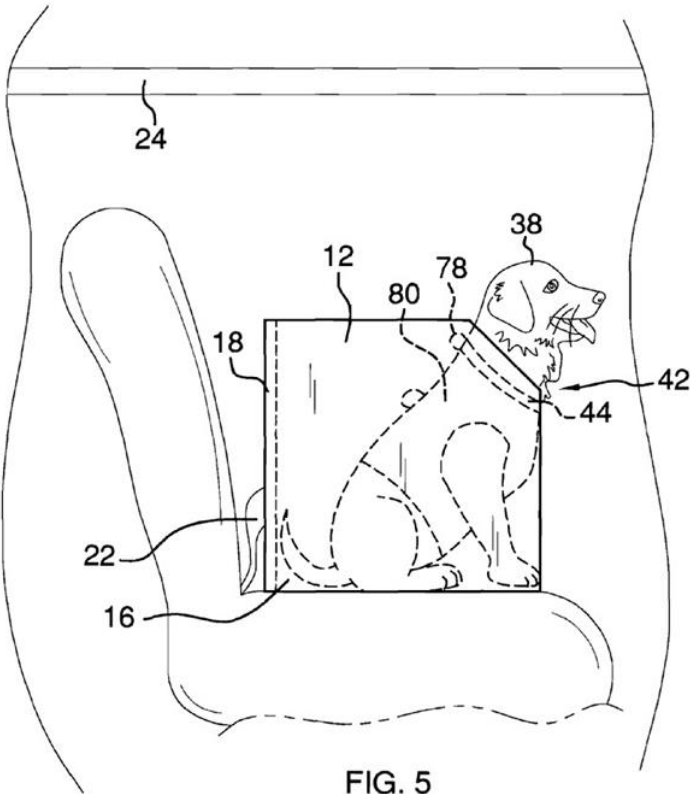


FIG. 1



DATE: AUGUST 1, 2020

PROJECT MP0465

Relationships with other classification places

This group does not include transport in airplanes, ships, trains, motorbikes, bicycles, etc.

References

Informative References

Attention is drawn to the following places, which may be of interest for search:

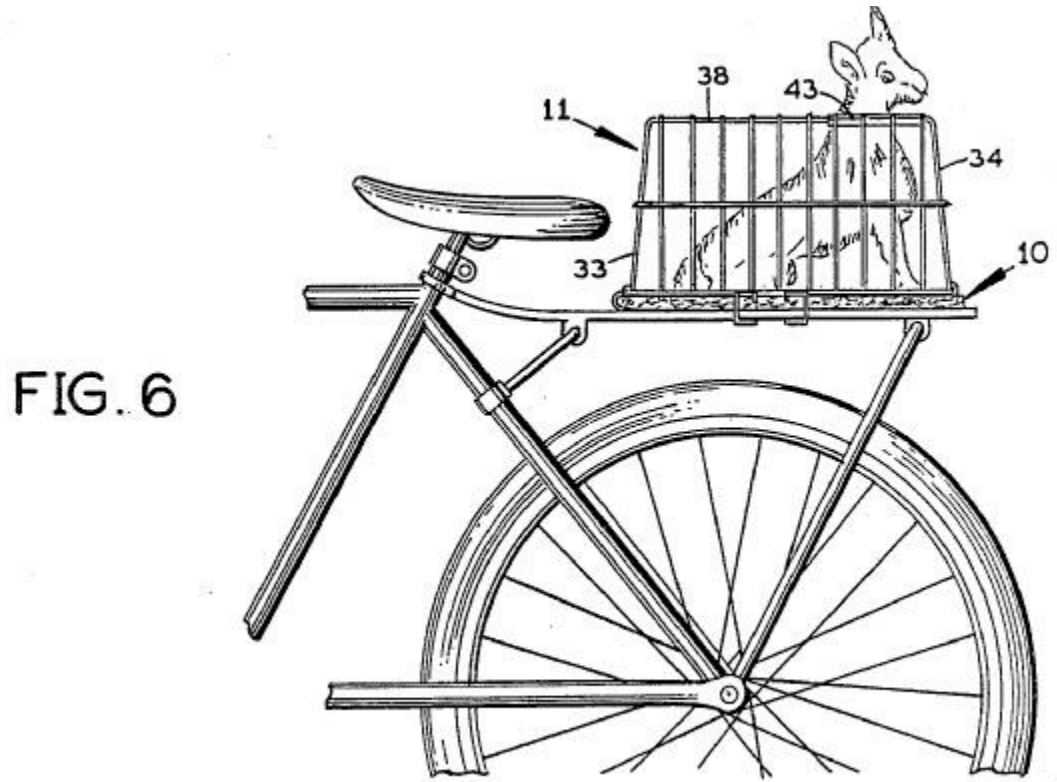
Safety belts or body harnesses in vehicles specially adapted for children or animals	B60R22/10
Loading or unloading vehicles	B65G67/00
Not permanently installed loading ramps	B65G69/30
Loading ramps mounted on a vehicle	B60P1/43

A01K1/0281

Definition statement

This place covers:

Restraining means specially adapted for carrying animals in or on bicycles or motorbikes which can be a box, a bag, a cage, a basket, a harness or the like.



A01K5/0121

Definition statement

This place covers:

Pet feeders for using one or several times before disposal which can be intended for travelling. These pet feeders can contain food and be covered by a film before use.

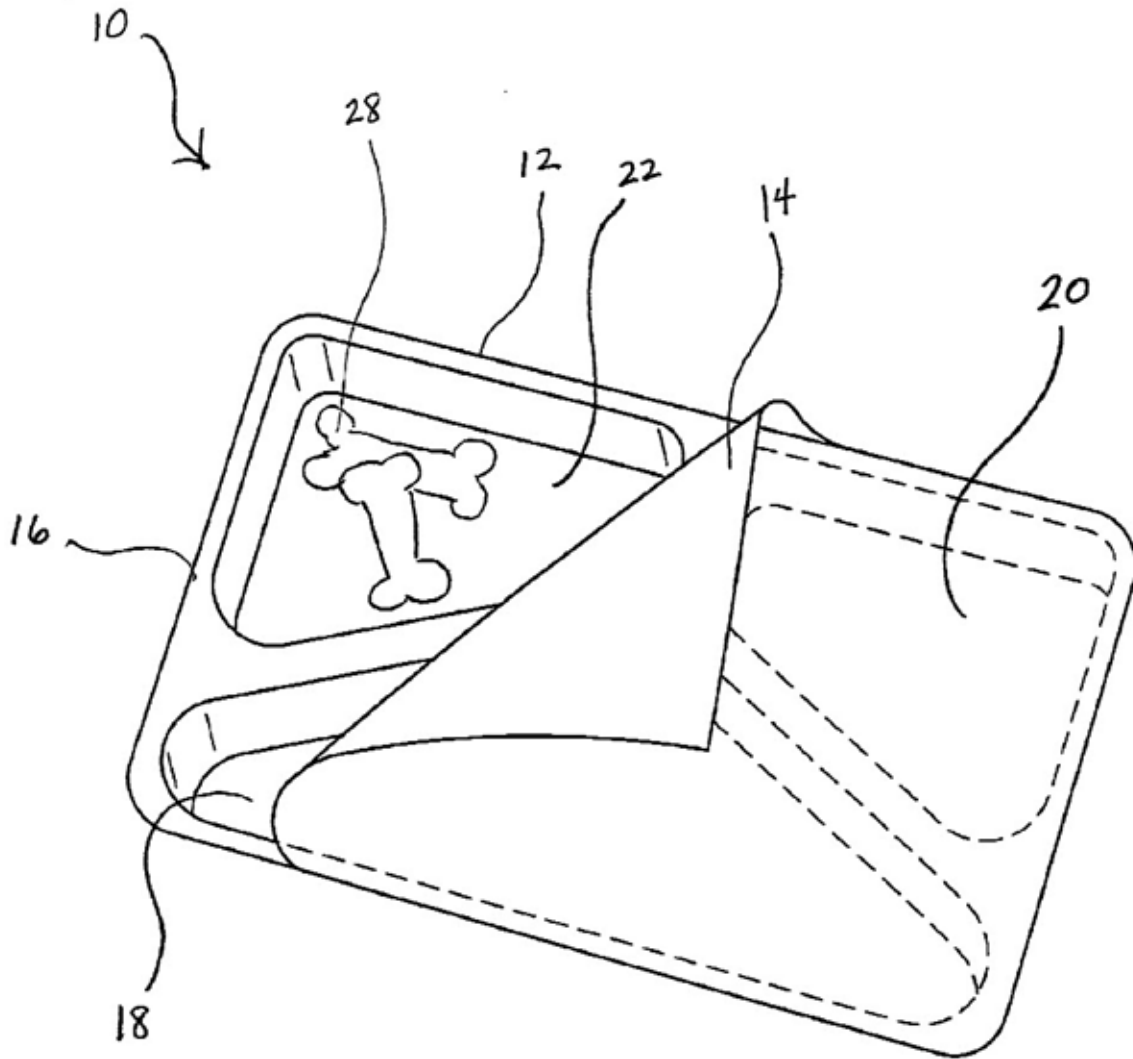


Fig. 1

References

Informative References

Attention is drawn to the following places, which may be of interest for search:

Disposable liners	A01K5/0128
-------------------	----------------------------

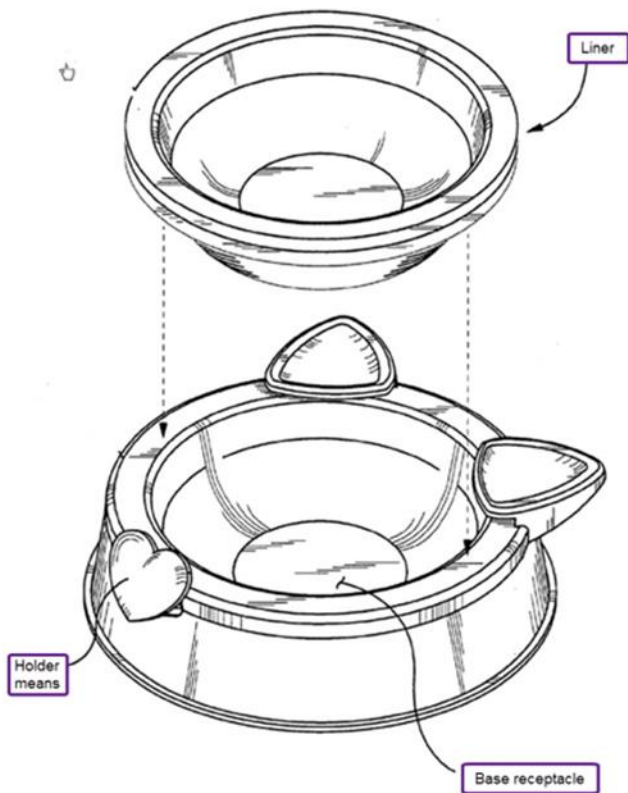
A01K5/0128

Definition statement

This place covers:

Pet food containers intended for liner or a single liner therefor.

Means to hold a liner in a pet food container.



A01K5/0135

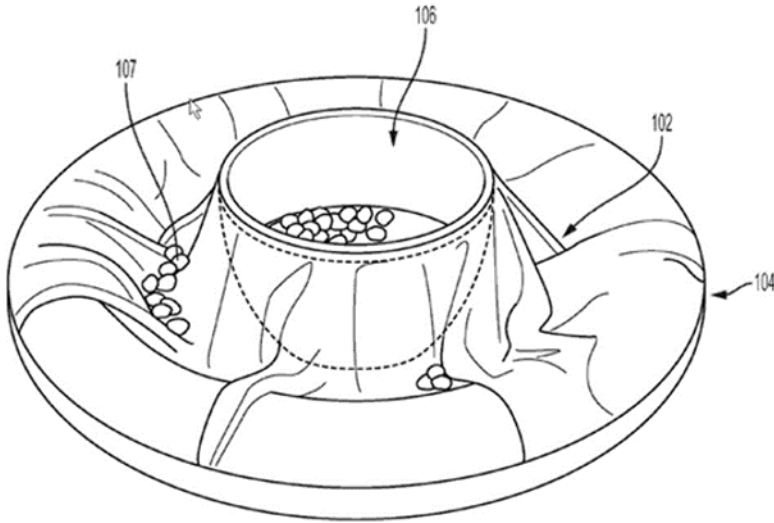
Definition statement

This place covers:

Pet containers with means for avoiding spilling the contained food.

DATE: AUGUST 1, 2020

PROJECT MP0465

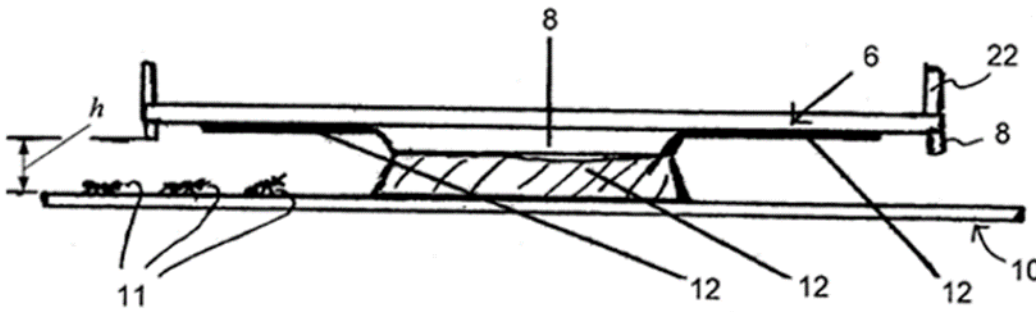


A01K5/0142

Definition statement

This place covers:

Pet food containers with means to prevent other animals or insects from accessing the food contained. The pet food containers can have provisions for raising a height of the food container, provisions for trapping or repelling insects that attempt to access the food, surface features preventing insect access, etc.



References

Informative References

Attention is drawn to the following places, which may be of interest for search:

With doors or lids activated by the animals to access feeding place or trough

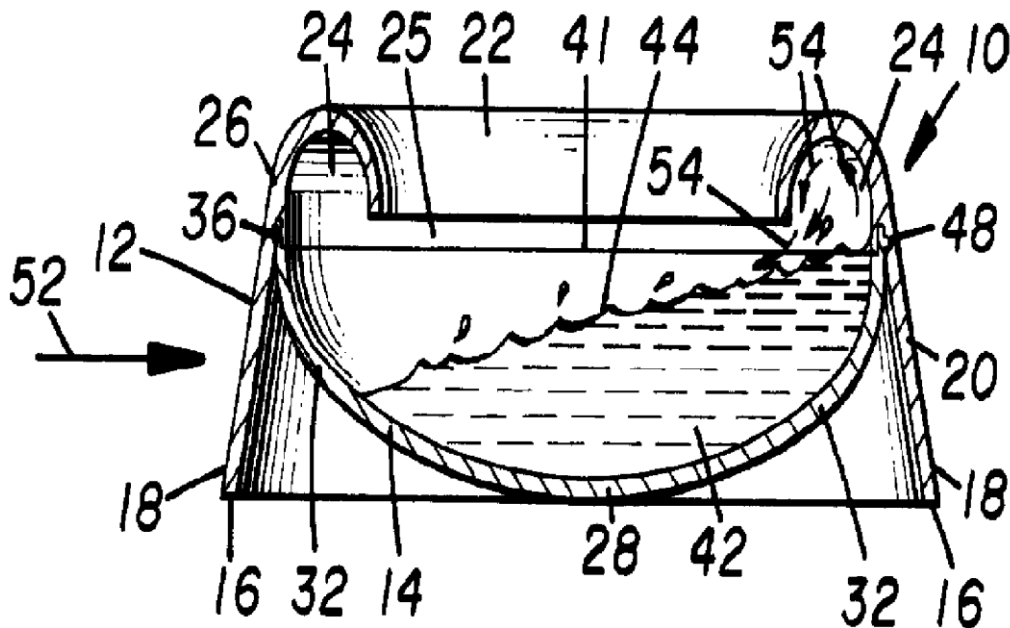
A01K 5/025

A01K7/005

Definition statement

This place covers:

Drinking bowls for animals having features preventing egress of liquid, usually for when the animal is drinking from the bowl.



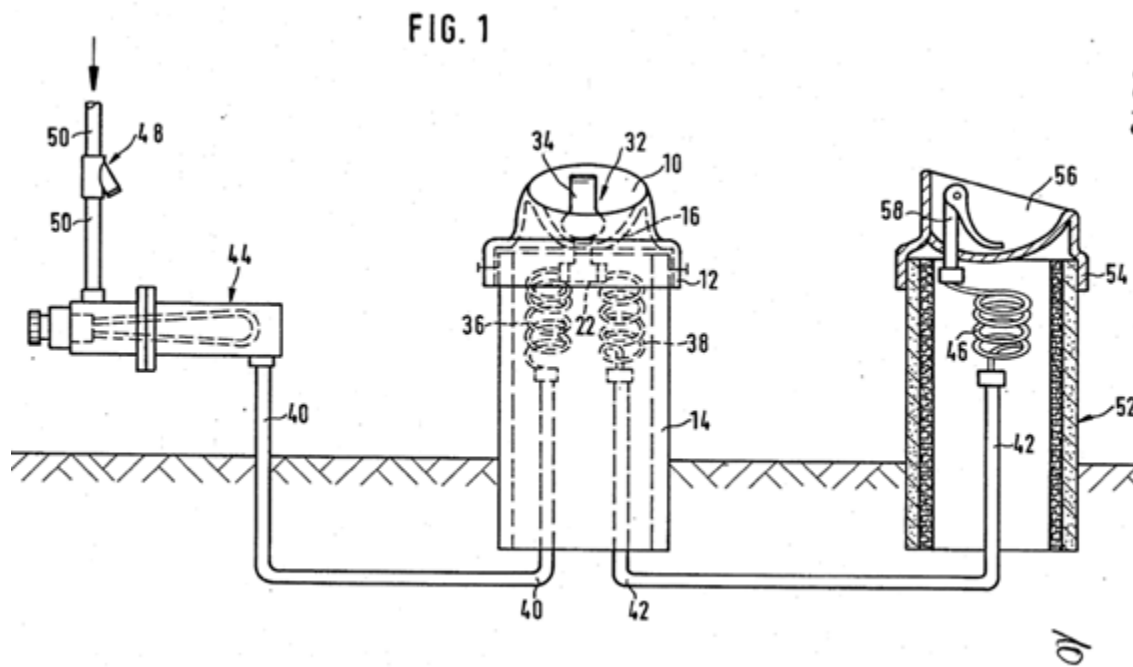
A01K7/027

Definition statement

This place covers:

Watering devices where a heating and/or insulating aspect is included.

The watering devices can include anti-burst devices, e.g. expansion plugs.



References

Informative References

Attention is drawn to the following places, which may be of interest for search:

DATE: AUGUST 1, 2020

PROJECT MP0465

Ice-fishing hole heater	A01K 97/01
-------------------------	----------------------------

A01K11/003

Definition statement

This place covers:

Ear-tags combined with means for taking tissue samples.

References

Informative References

Attention is drawn to the following places, which may be of interest for search:

Instruments for taking cell samples or for biopsy	A61B10/02
Means for severing sample	A61B10/0266

A01K11/008

Definition statement

This place covers:

Methods for locating animals with GPS, usually by incorporating GPS technology within animal transponders, unique identifiers, etc.

Position detectors that acquire positional information using a global navigation satellite system (GNSS) on the domestic animals.

DATE: AUGUST 1, 2020

PROJECT MP0465

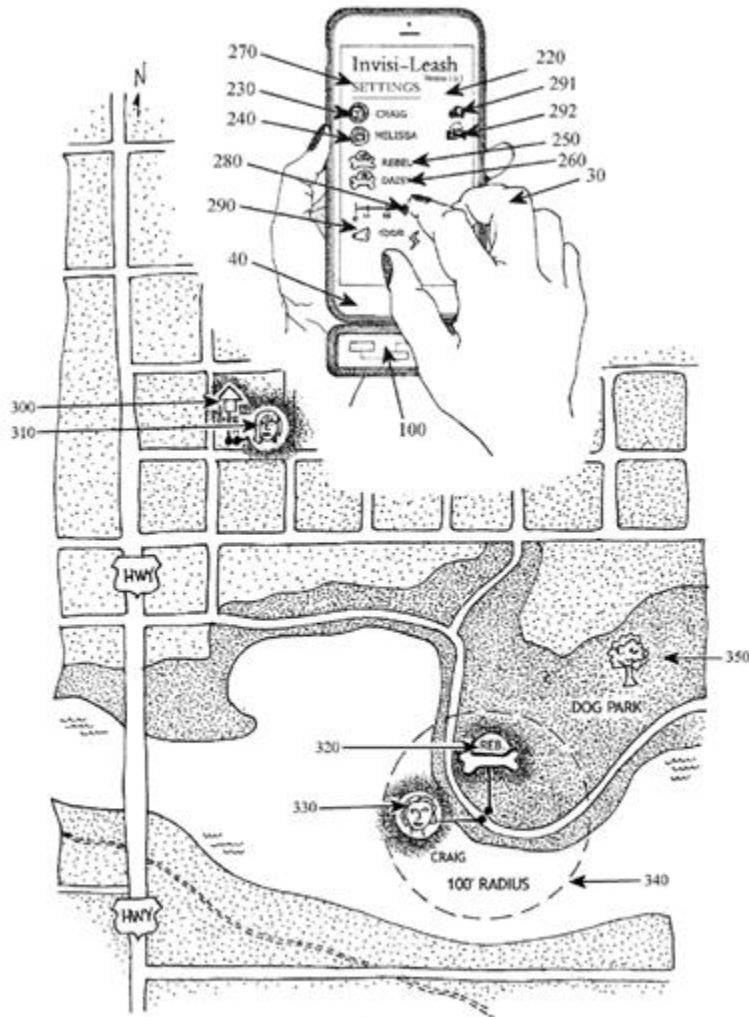


FIG. 6

References

Informative References

Attention is drawn to the following places, which may be of interest for search:

Anti-evasion devices

[A01K15/023](#)

Relationships with other classification places

DATE: AUGUST 1, 2020

PROJECT MP0465

Collars or similar articles with GPS for locating animals, e.g. locating pets outside specific areas, are covered by group A01K11/008.

Collars or similar articles for anti-evasion purpose, normally associated to one or more areas and adapted for pets, are covered by group A01K15/023.

Collars or similar articles with anti-barking devices are covered by group A01K15/022.

A01K15/026

Definition statement

This place covers:

Toys for pets that are constructed for chewing by an animal.

Toys may have raised, depressed, or other surface features that aid in dental health of pets or enhance the attractiveness of the toy to a pet.

References

Informative References

Attention is drawn to the following places, which may be of interest for search:

Composition of toys made of animal feeding-stuffs per se	A23K
--	----------------------

A01K27/001

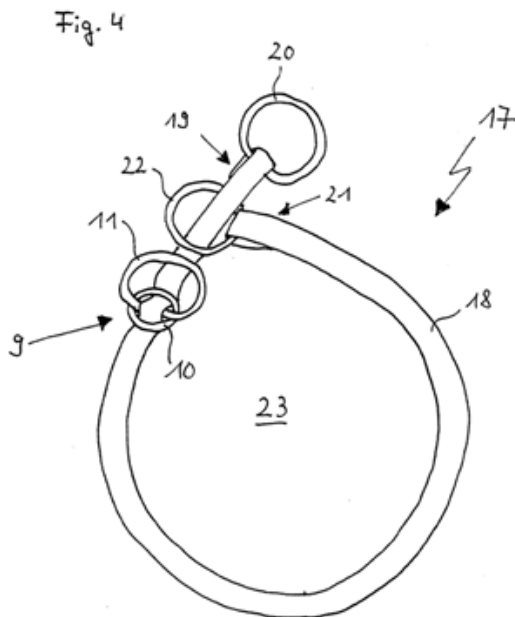
Definition statement

This place covers:

Collars for dogs or the like which can be extendable, chocking, etc. These collars can be attachable to leashes and/or harnesses, can have multiple or sliding attachment points and can be adapted to different sizes.

Double collars.

Collars extended into leashes e.g. for better control by pulling neck.



References

Informative References

Attention is drawn to the following places, which may be of interest for search:

Pokes, toggles, hobbles or the like used independently of stall	A01K15/04
Head harness	A01K27/002

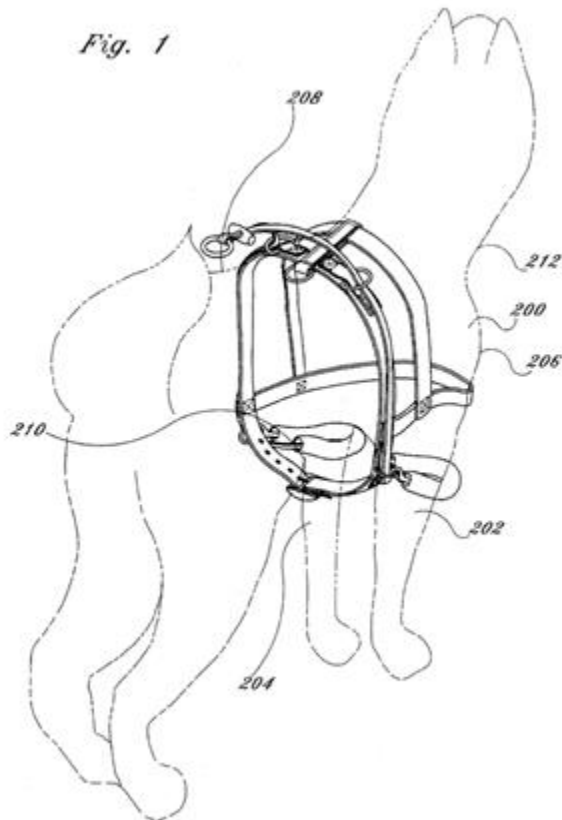
A01K27/002

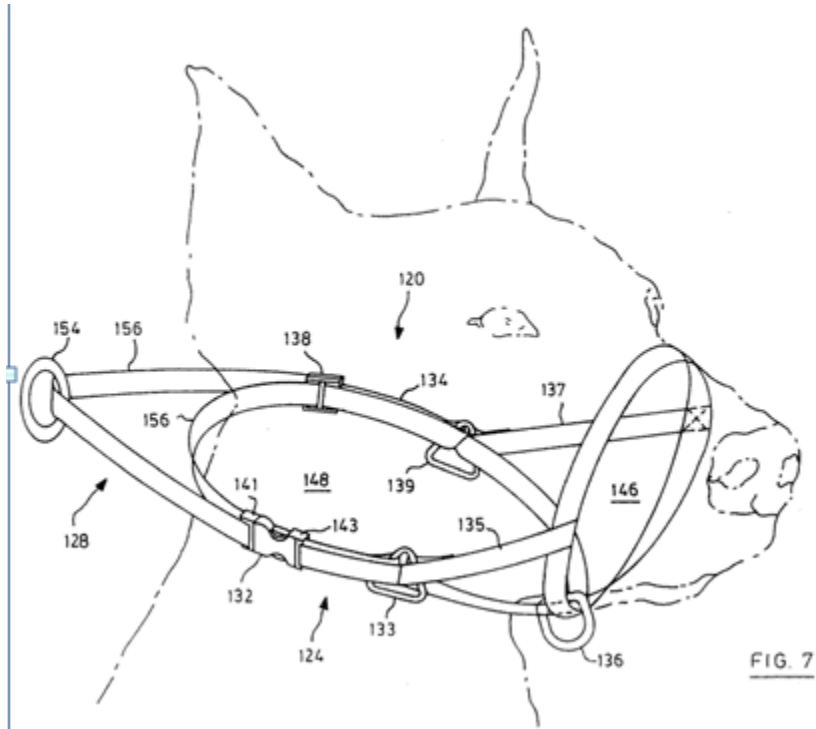
Definition statement

This place covers:

Harnesses intended for guiding or controlling the animal, e.g. while walking.

Head harnesses, e.g. muzzle-like that do not interfere with an animal opening its mouth, intended for guiding and/or controlling the animal.





References

Informative References

Attention is drawn to the following places, which may be of interest for search:

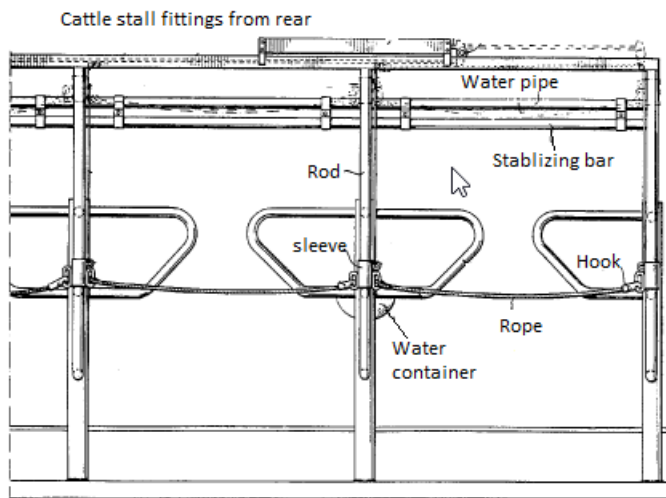
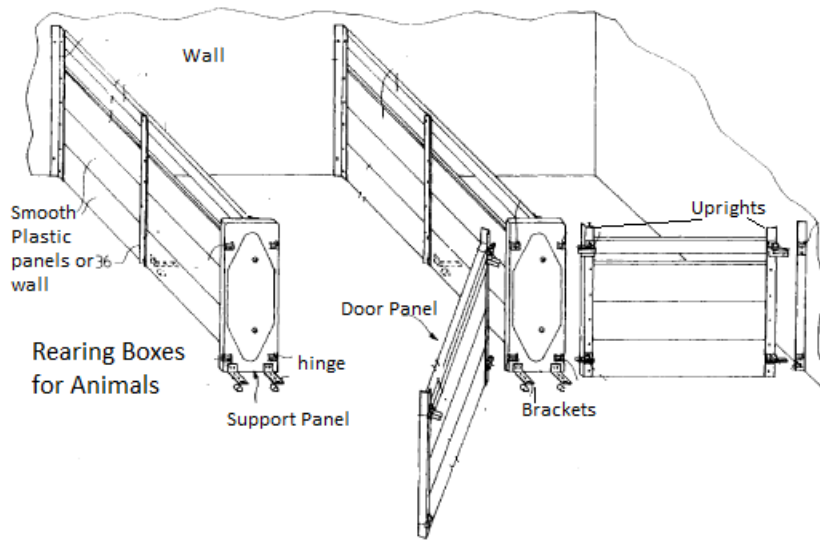
Harnesses for transporting, carrying or lifting animals	A01K1/0263
Muzzles	A01K25/00
Devices in connection with horse harness	B68B1/00
Traction harness for horses	B68B3/00

2. A. DEFINITIONS (modified)

A01K1/0005

Definition statement

Replace: Existing images and the image tag text with the new images below.



References

DATE: AUGUST 1, 2020

PROJECT MP0465

Insert: The following new row.

Informative references

Attention is drawn to the following places, which may be of interest for search:

Walls, e.g. partitions for buildings	E04B2/00
--------------------------------------	--------------------------

A01K1/0236

Replace: Existing Definition statement and images with the new statement and images below.

Definition statement

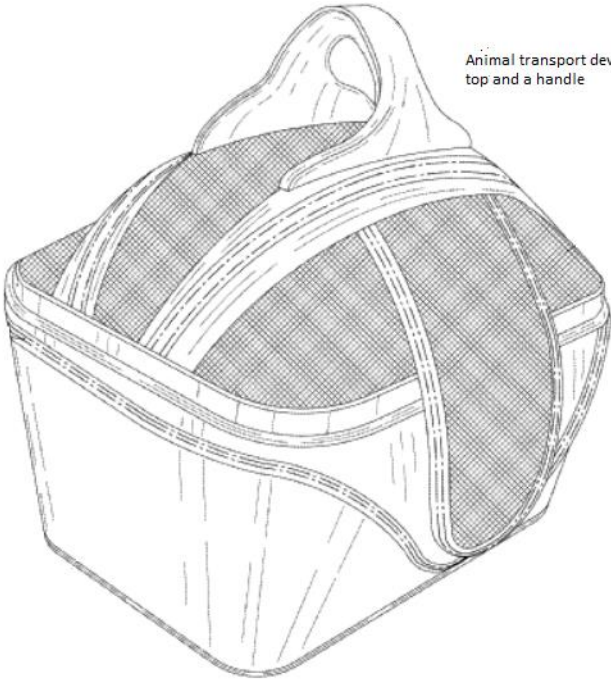
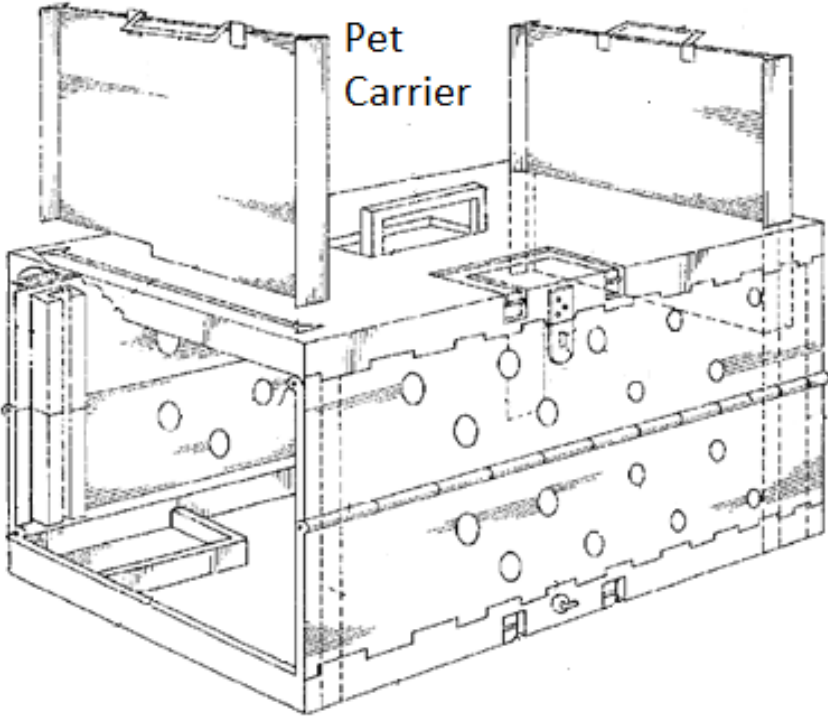
This place covers:

Devices for transporting animals from one place to another by hand or inside a transport e.g. in automobile or trailer, by plane, by train, etc.

Transportation boxes for pets which can be collapsible, demountable, can have fastening means for mounting on the seat of an automobile and/or can be worn by the user.

Harness/Restraining system for animals which can be connected to the safety belt system.

Containing devices which can be suitable for transportation; shipping, by air, truck etc., and/or can include an animal tying device



DATE: AUGUST 1, 2020

PROJECT MP0465



References

Insert: New informative references section and table shown below.

Informative References

Attention is drawn to the following places, which may be of interest for search:

Transportable or movable animal shelters	A01K1/0035
Devices for transporting live fish	A01K63/02
Vehicles for transporting animals	B60P3/04
Safety belts or body harnesses in vehicles specially adapted for children or animals	B60R22/10
Animals walking aid, e.g. wheelchair	A61D3/00
Containers for living organisms	B65D85/50
Containers of polygonal cross-section, e.g. boxes, cartons, trays	B65D5/00

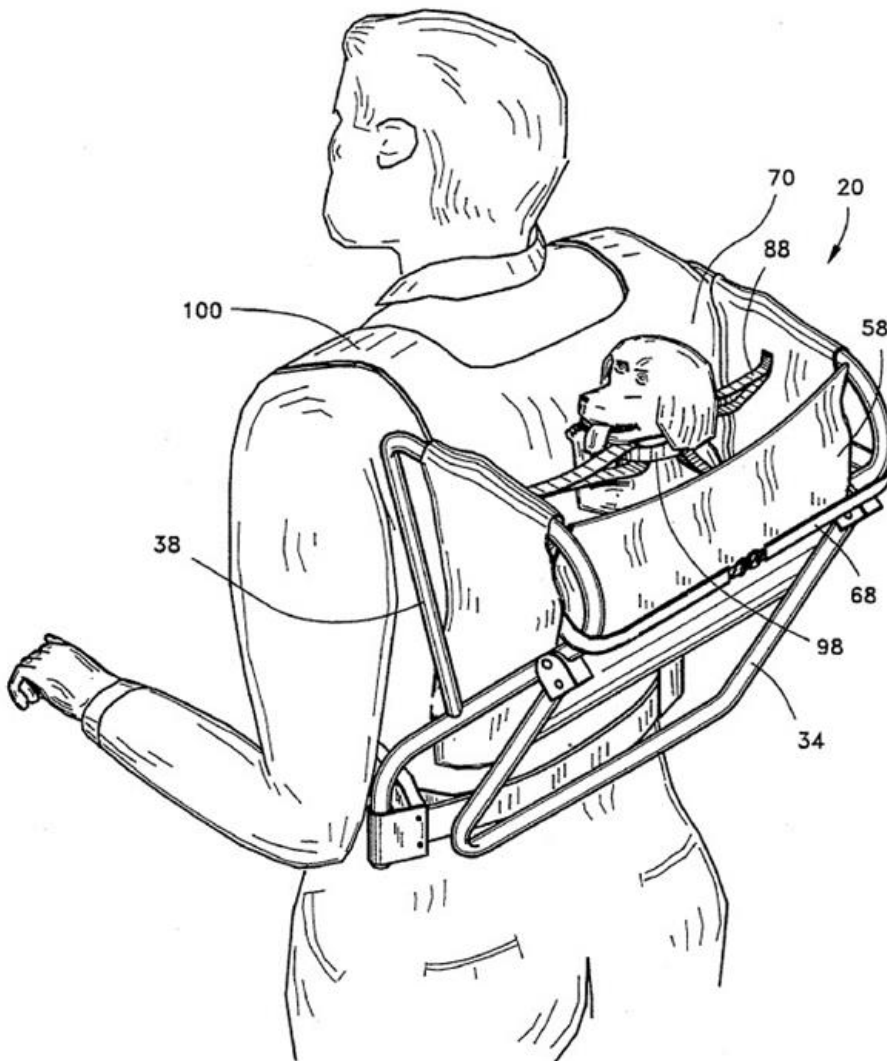
A01K1/029

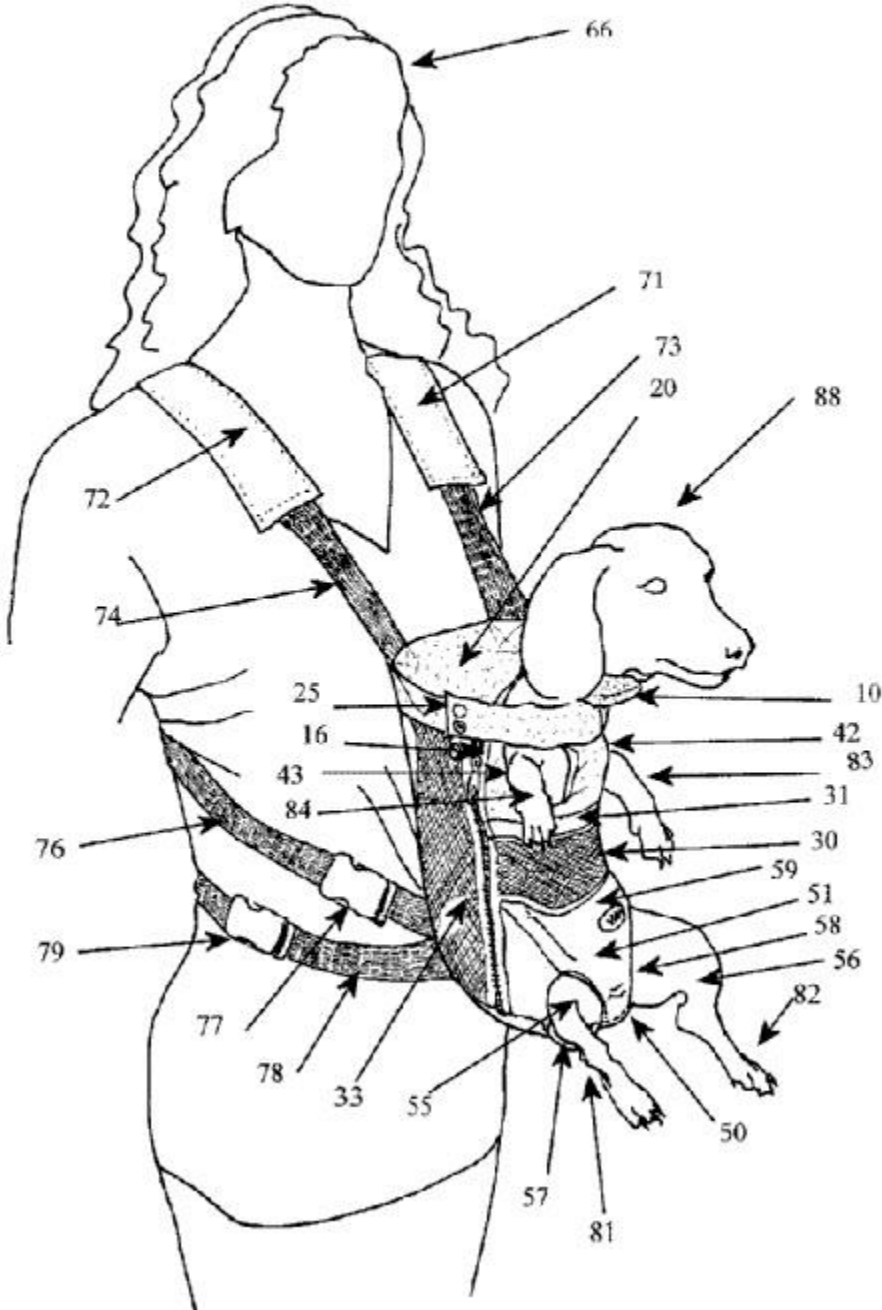
Insert: New Definition statement and images shown below.

Definition statement

This place covers:

Means for carrying animals on the body of a person which can be on the back, the breast, or any part of the body (but not just lifted by the hands). These means can be a cage, a bag, a harness, or any structure for supporting an animal.





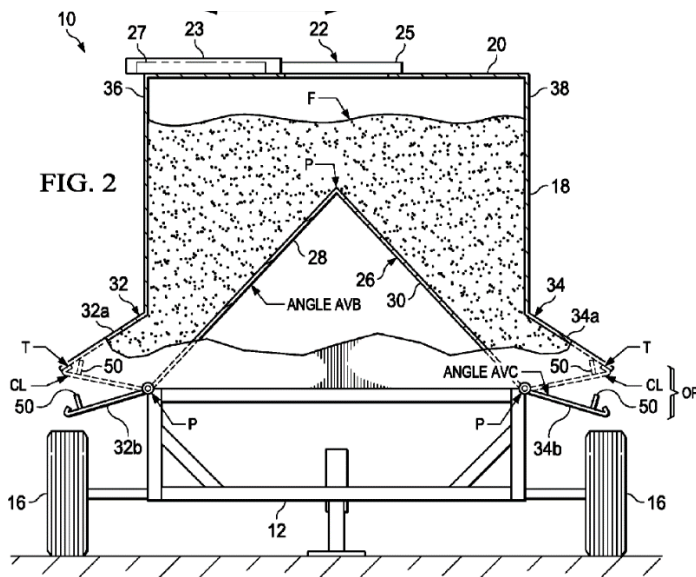
A01K5/0107

Definition statement

Delete: The text from the first line “, e.g. (round) hay racks, etc.”

Delete: Existing image and image tag text.

Insert: The following new image.



A01K7/00

Definition statement

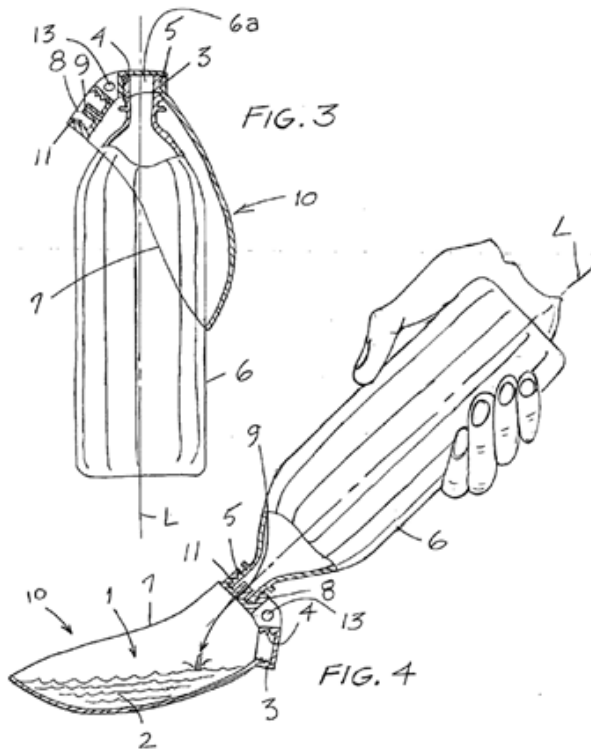
Replace: The first two paragraphs, including the bullet point, of the Definition statement with the following two paragraphs.

Watering equipment for animals, e.g. troughs, buckets, bowls, etc, which can be portable, foldable, elevated, collapsible, etc.

The watering devices can include fastening means, temperature controlling systems, anti-freeze, etc.

Delete: Existing image and image tag text.

Insert: The following new image.



References

Informative references

Replace: The existing text for the following two table entries in the Informative references table so that the entries appear as shown below.

Drinking appliances for poultry or other birds	A01K39/02
Combined feeding and drinking appliances for poultry or other birds	A01K39/04

DATE: AUGUST 1, 2020

PROJECT MP0465

A01K15/003

Definition statement

- Replace: The word “may” with “which can” in the first and third paragraphs.
- Replace: The word “may” with “can” in the 8th paragraph.
- Delete: Image tag text below the image.

References

- Insert: The following new row to the Informative references table.

Informative references

Attention is drawn to the following places, which may be of interest for search:

Electric shock devices for controlling animals	A01K15/029
--	----------------------------

A01K15/029

References

- Delete: Limiting references section and table.
- Insert: New Informative reference section and table.

Informative References

Attention is drawn to the following places, which may be of interest for search:

Crowding gates or barriers	A01K1/0029
Electrified wire fencing	A01K3/005
Non-electrical means for controlling animals	A01K15/003
Anti-barking devices	A01K15/022
Anti-evasion devices	A01K15/023
Collars with electric shock	A01K27/009

DATE: AUGUST 1, 2020

PROJECT MP0465

Scaring or repelling devices using electric shocks	A01M29/24
Circuits for electric shock devices	H03K3/537
Sticks with electric stunning-means	F41B15/04
Circuits providing pulse voltage when touched	H05C1/06

A01K29/00

Definition statement

Replace: Existing first paragraph with the following new paragraph:

Monitoring of farm animals.

Delete: Image tag text below the image.

References

Delete: Limiting references section and table

Informative references

Replace: Existing text with the following new text in the following entry in Informative references:

Portable steps, e.g. dog ramps	A01K1/035
--------------------------------	---------------------------

Insert: The following new rows to the Informative references table.

Structures for monitoring or investigating laboratory animal's behaviour; Experimental structures or proceeding for all animals	A01K1/031
Remote monitoring of patients using telemetry	A61B5/0002
Measuring for diagnostic purposes	A61B5/107
Detecting heat, i.e. oestrus, mating, pregnancy or birth	A61D17/00
Measuring in general	G01B
Apparatus for weighing livestock	G01G17/08

DATE: AUGUST 1, 2020

PROJECT MP0465

A01K29/005

Definition statement

Delete: The fifth paragraph from the Definition statement.

Insert: The following new fifth and sixth paragraphs in the Definition statement:

Devices for monitoring animal health, e.g. temperature, location, etc.

Bio-sensors.

Delete: The image tag text from below the image.

References

Insert: The following new Application-oriented references section and table.

Application-oriented references

Examples of places where the subject matter of this place is covered when specially adapted, used for a particular purpose, or incorporated in a larger system:

Detecting birth of animals	A61D 17/00
----------------------------	------------

Insert: The following new Informative references section and table.

Informative references

Attention is drawn to the following places, which may be of interest for search:

Horses monitor for training	A01K15/027
Data processing Agriculture/Fishing	G06Q50/02
Experimental structures or proceeding for all animals	A01K1/031
Gait analysis	A61B5/112
Detecting heat, i.e. oestrus	A61D17/002

A01K67/033

Insert: The following new Definition statement and image.

Definition statement

This place covers:

Devices, systems or methods for breeding invertebrates e.g. insects. Therefore it also covers the rearing or breeding of so-called “predatory insects”.
Insect farms.

FIG. 3

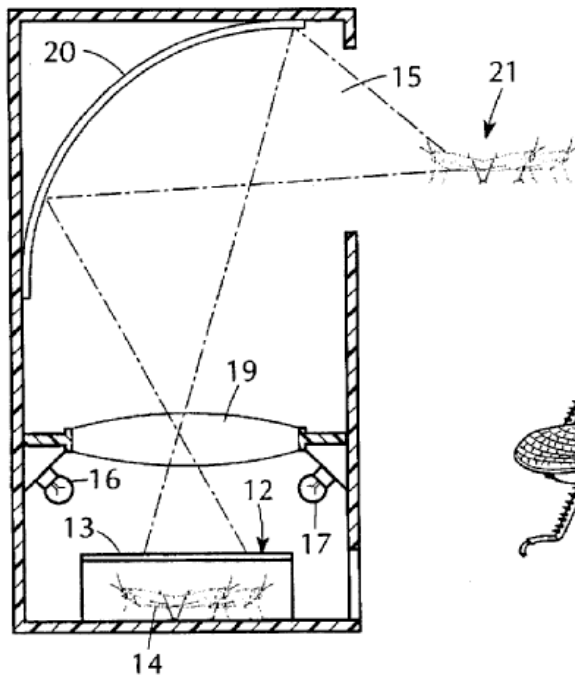
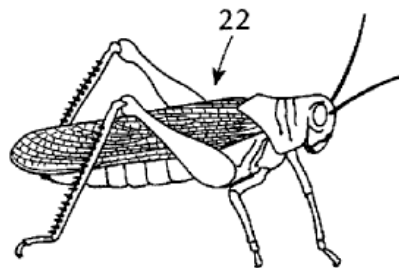


FIG. 4



Insert: The following new Relationships with other classification places section and text.

Relationships with other classification places

DATE: AUGUST 1, 2020

PROJECT MP0465

This group covers the rearing or breeding of invertebrates, e.g. of insects. Therefore it also covers the rearing or breeding of so-called “predatory insects”, which are used against pest crops and animal parasites. The usage of insects for biocides or pest repellants is classified in group A01N 63/14.

References

Replace: Existing Informative references table with the one below.

Informative references

Attention is drawn to the following places, which may be of interest for search:

Stationary means for catching or killing insects	A01M1/00
Biocides, pest repellents or attractants, or plant growth regulators containing insects; Substances produced thereby or obtained therefrom	A01N63/14
Medicinal preparations containing arthropods	A61K35/63
Aircraft dropping, releasing, ejecting powdered, liquid or gaseous matter	B64D1/16
Biocides, pest repellents or attractants from animal material	A01N63/00
Biological treatment of water, waste water or sewage characterised by use of animals and plants	C02F3/327
Containers, packaging elements or packages, for living organisms	B65D85/50
Animal feeding-stuffs from material of animal origin	A23K10/20
Feeding-stuffs for insects	A23K50/90

Insert: The following new Glossary of terms.

Glossary of terms

In this place, the following terms or expressions are used with the meaning indicated:

Frass	Insect “manure” often mixed with undigested food.
-------	---

CPC NOTICE OF CHANGES 929

DATE: AUGUST 1, 2020

PROJECT MP0465

2. B. DEFINITIONS QUICK FIX

<u>Symbol</u>	<u>Location of change</u> (e.g., section title)	<u>Existing reference symbol or text</u>	<u>Action; New symbol; New text</u>
A01K1/0017	Informative ref.		<p>Insert new Informative references section and the following entries:</p> <p>Outdoor gates in connection with a fence A01K3/00</p> <p>Serving doors; passing-through doors; pet doors E06B7/32</p>
A01K1/0029	Definition statement		<p>Insert after Barrier for preventing passage of livestock:</p> <ul style="list-style-type: none"> • Poultry agitators. • Drones or helicopters influencing the motion of the herd.
A01K1/007	Informative ref.		<p>Insert: New Informative references table and the following entry:</p> <p>Roller blinds E06B9/40</p>
A01K1/0082	Informative ref.		<p>Insert: New Informative references table and the following entries:</p> <p>Floor coverings with floor heating or cooling A01K1/0158</p> <p>Heating/cooling for medical/therapeutical treatment of human body A61F7/00</p>

CPC NOTICE OF CHANGES 929

DATE: AUGUST 1, 2020

PROJECT MP0465

A01K1/01	Informative ref.		<p>Insert:</p> <p>Mixing or agitating manure, dung B01F2215/0003</p> <p>Refuse receptacles B65F1/00</p> <p>Machines for cleaning floors, carpets, furniture, walls, or wall coverings A47L11/00</p>
A01K1/0107	Definition statement		<p>Insert after Device for training animals...:</p> <p>Paw-cleaning litter mat, e.g. magnetic pet litter system.</p>
A01K1/0128	Definition statement	<p>Barn and pit floor scrapers and details therefore, e.g. coupling etc. may be attachable to a conventional vehicle, e.g. tractor etc. Component structures, e.g. scraper blades.</p>	<p>Replace existing with :</p> <p>Barn and pit floor scrapers and details therefore, e.g. coupling etc.</p> <ul style="list-style-type: none"> • may be attachable to a conventional vehicle, e.g. tractor etc. • may be autonomous <p>Component structures, e.g. scraper blades or similar.</p>
A01K1/0128	Informative ref.		<p>Insert Informative reference table with:</p> <p>Machines for cleaning floors, carpets, furniture, walls, or wall coverings A47L11/00</p>
A01K1/0132	Informative ref.		<p>Insert Informative reference table with:</p> <p>Conveyors comprising a cyclically-moving, e.g. reciprocating, carrier or impeller B65G25/00</p>

CPC NOTICE OF CHANGES 929

DATE: AUGUST 1, 2020

PROJECT MP0465

A01K1/015	Definition statement		<p>Insert at end of statement after “may be automatic”:</p> <p>Mechanical manipulation of bedding material, e.g. spreading, cleaning, filtering, conditioning, turning, mixing, collecting etc.</p> <ul style="list-style-type: none"> • may be manual, automatic, autonomous. • may be for livestock stalls and/or chicken runs. <p>Stable floor cleaning.</p>
A01K1/015	Limiting References	<p>Floors for poultry housings A01K31/007</p>	<p>Delete:</p> <p>Limiting reference table</p>
A01K1/015	Informative ref.	<p>Heating arrangements A01K31/20 Arrangements for heating or lighting in, or attached to... A01K63/06</p>	<p>Replace with:</p> <p>Heating arrangements in chicken coops or houses A01K31/20</p> <p>Arrangements for heating or lighting in receptacles for live fish A01K63/06</p>
A01K1/015	Informative ref.		<p>Insert:</p> <p>Floors for poultry housings A01K31/007</p> <p>Floors, Floor construction with regard to insulation E04B5/00</p>

CPC NOTICE OF CHANGES 929

DATE: AUGUST 1, 2020

PROJECT MP0465

<p>A01K1/0157</p>	<p>Definition statement</p>	<p>Mats and pet-sheets for use in animal stables or cages.</p> <ul style="list-style-type: none"> •may be absorbing liquid, odour adsorbing, e.g. liquid permeable top sheet, etc. •may be moisture proof, washable, etc. •may contain disinfectant etc. <p>Devices for cleaning cat's paws, e.g. magnetic pet litter system.</p> <p>Floor covering for animal stables, may be suitable for covering floor/walls, e.g. animal matress.</p>	<p>Replace with:</p> <p>Mats and sheets for use in animal stables or cages.</p> <ul style="list-style-type: none"> • may be absorbing liquid, odour adsorbing, e.g. liquid permeable top sheet, etc. • may be moisture proof, washable, etc. • may contain disinfectant etc. <p>Floor covering for animal stables, may be suitable for covering floor/walls, e.g. animal matress.</p> <p>For stables, connectable or individual sleeping mats.</p>
-------------------	-----------------------------	---	---

CPC NOTICE OF CHANGES 929

DATE: AUGUST 1, 2020

PROJECT MP0465

A01K1/0157	Relationship with other classification places		<p>Insert Relationship with other classification places section and the following text:</p> <p>This group covers mats used mainly for stalls, like cubicles, mostly intended to improve comfort when lying, e.g. matrass.</p> <p>This group does not cover sheets to be used as toilets for pets which belong to A01K1/0107.</p> <p>This group does not cover sleeping matrass for pets, e.g. dogs, which belong to A01K1/0353.</p>
A01K1/0157	Informative ref.		<p>Insert Informative references table and the following:</p> <p>Absorbent mats for pet toilets; Mats for cleaning paws, especially cat's litter A01K1/0107</p> <p>Dog beds A01K1/0353</p>
A01K1/0158	Informative ref.		<p>Insert Informative references table and the following:</p> <p>Climate control systems for pet cages A01K1/033</p> <p>Farrowing pens with heating floor A01K1/0218</p>
A01K1/0227	Informative ref.		<p>Insert Informative references table and the following:</p> <p>Animal shelters especially adapted for keeping young cattle, i.e. calves A01K1/0088</p>

CPC NOTICE OF CHANGES 929

DATE: AUGUST 1, 2020

PROJECT MP0465

A01K1/031	Definition statement		<p>Insert at the bottom of Definition statement after Rack systems for cages:</p> <p>Structures for monitoring or investigating laboratory animals' behavior.</p> <p>Experimental structures or proceeding for all animals.</p>
A01K1/031	Informative ref.		<p>Insert new Informative references table and the following entries:</p> <p>Labyrinths or maze for laboratory animals A01K15/02</p> <p>Movement measuring of laboratory animals, e.g. activity A61B5/1105</p> <p>Devices for anaesthetizing animals by gases or vapors; Inhaling devices A61D7/04</p> <p>Clinical application for non-human patients A61B6/508</p> <p>Slaughtering or stunning by means of gas A22B3/005</p>
A01K1/033	Definition statement	Animal play-units and all-in-one animal houses	<p>Replace with:</p> <p>Pet crates or cages.</p>

CPC NOTICE OF CHANGES 929

DATE: AUGUST 1, 2020

PROJECT MP0465

A01K1/033	Informative ref.		<p>Insert Informative references section and table with the following references:</p> <p>Transport devices for animals A01K1/0236</p> <p>Cages for rabbits A01K1/032</p> <p>Cages for laboratory animals A01K1/031</p> <p>Cages for poultry A01K31/002, A01K31/17</p> <p>Cages, e.g. for singing birds A01K31/06</p> <p>Devices for use in keeping domestic animals A01K1/035</p> <p>Toys for animals A01K15/025</p>
A01K1/033	Special rules of classification		<p>Insert Special rules of classification section and the following text:</p> <p>Animal play-units comprising entertainment areas, even if also comprising rest surfaces, are covered by A01K1/035.</p>
A01K1/034	Definition statement		<p>Insert at the end of definition statement:</p> <p>Dog-hotel.</p>
A01K1/035	Definition statement	<p>Details of (laboratory-) caging system.</p> <p>Structures for monitoring or investigating laboratory animals' behavior.</p>	<p>Replace first two paragraphs with:</p> <p>Details of caging system.</p> <p>Animal play-units, multi-purpose structure, e.g. rest and playing combined pet house and all in one animal houses.</p>

CPC NOTICE OF CHANGES 929

DATE: AUGUST 1, 2020

PROJECT MP0465

A01K1/035	Informative ref.		<p>Insert:</p> <p>Cages for laboratory animals; Cages for measuring metabolism of animals A01K1/031</p> <p>Toys for animals A01K15/025</p> <p>Scratching devices, e.g. for cats A01K15/024</p>
A01K1/035	Informative ref.	Serving doors, Passing through doors E06B7/32	<p>Replace:</p> <p>Serving doors, Passing through doors, Pet doors E06B7/32.</p>
A01K1/0356	Definition statement	Feeding and/or drinking devices adapted for small animal cages, e.g. bird cages, etc.	<p>Replace with:</p> <p>Feeding and/or drinking devices adapted for small animal cages.</p>
A01K1/0356	Limiting references	For birds A01K31/06	<p>Replace with:</p> <p>Cages, e.g. for singing birds A01K31/06</p>
A01K1/0356	Informative ref.	Feeding devices A01K39/01 Foe solid feed, e.g. grit-cake holders A01K39/0106	Delete
A01K1/04	Definition statement	Means for attaching chains or the like to a fixed structure, to the ground or to a vehicle.	<p>Replace with:</p> <p>Means for attaching chains or the like to a fixed structure, to the ground or to a vehicle, e.g. bicycle.</p> <p>(Dog) leash attachments, e.g. to vehicle or to bicycle.</p>

CPC NOTICE OF CHANGES 929

DATE: AUGUST 1, 2020

PROJECT MP0465

A01K1/04	Informative ref.		<p>Insert:</p> <p>Boxes, bags, harnesses for transport in or on automobiles A01K1/0272.</p> <p>Boxes, bags, harnesses for transport in or on bicycles or motorcycles A01K1/0281.</p>
A01K1/06	Informative ref.		<p>Insert:</p> <p>Devices for impeding movement; Devices for impeding passage through fencing , e.g. hobbles or the like; Anti-kicking devices A01K15/04</p>
A01K1/0613	Definition statement		<p>Insert at the end of the Definition statement:</p> <p>Loading ramps for animals.</p>
A01K1/0613	Informative ref.		<p>Insert:</p> <p>Loading or unloading transport vehicles B60P1/04</p> <p>Devices for use in keeping domestic animals A01K1/035</p>
A01K1/10	Definition statement	Barriers or containers for feeding roughage, indoors, or outdoors (except for poultry or small animals)	<p>Replace:</p> <p>Barriers for feeding roughage, indoors, or outdoors (except for poultry or small animals).</p>
A01K1/10	Informative ref.		<p>Insert:</p> <p>Movable feed barriers A01K1/105</p> <p>Feed bags or nets A01K5/008</p>
A01K1/105	Definition statement		<p>Insert at the end of the Definition statement:</p> <p>(Autonomous) trolley pushing feed back to fence.</p>

CPC NOTICE OF CHANGES 929

DATE: AUGUST 1, 2020

PROJECT MP0465

A01K1/105	Informative ref.		Insert Informative references section and table: Automatic devices with stable trolley for distributing feed A01K5/0266
A01K1/12	Limiting References		Delete Limiting references section and table.
A01K1/12	Informative references		Insert: Devices for milking A01J1/00 - A01J9/00
A01K1/126	Informative ref.		Insert Informative references section and table: Rotary buildings E04B1/346 Rotary, round or circular animal barns A01K1/0041
A01K3/00	Informative ref.		Insert: Gates for obstructing traffic E01F13/00
A01K3/002	Informative ref.	Cats or dog houses A01K3/005	Replace: Electrified wire fencing A01K3/005
A01K3/002	Informative ref.		Insert: Cattle guards connected to the permanent way E01B17/00
A01K5/001	Informative ref.		Insert Informative references section and table: Mixing cattle, poultry, stock or game food B01F2215/0008
A01K5/002	Definition statement		Delete: Patent number EP-A-699388

CPC NOTICE OF CHANGES 929

DATE: AUGUST 1, 2020

PROJECT MP0465

A01K5/002	Informative ref.		Insert Informative references section and table: Mixers; stirrers rotating about a horizontal / inclined axis B01F7/02
A01K5/004	Informative ref.		Insert Informative references section and table: Mixers; stirrers rotating about a vertical axis B01F7/16
A01K5/008	Definition Statement	Feed bags, mostly for horses.	Replace: Feed bags or nets, mostly for horses.
A01K5/008	Informative ref.		Insert: Feed racks A01K1/10 Feed troughs; Feed pails A01K5/01 Sucking apparatus for young stock A01K9/00
A01K5/01	Definition statement	Racks for feeding bales of hay	Delete
A01K5/01	Limiting Reference		Delete limiting reference table
A01K5/01	Informative ref.		Insert: Feed racks A01K1/10 Apparatus for treating silage, e.g. upgrading with water A23N17/008
A01K5/0114	Definition statement	Pet food toys, e.g. toy ball feeder, treat dispensing toy, etc	Delete
A01K5/0114	Informative ref.	None	Insert Informative references section and table: Toys for animals A01K15/025

CPC NOTICE OF CHANGES 929

DATE: AUGUST 1, 2020

PROJECT MP0465

A01K5/015	Definition statement		Insert at end of Definition statement: Also liquid minerals supplement holder for licking.
A01K5/02	Definition statement		Delete: Patent number EP-A-1161861
A01K5/02	Informative ref.	Feeding devices A01K39/01 Filling automatically A01K39/012 Combined feeding and drinking appliances A01K39/04	Replace: Feeding devices for poultry or other birds A01K39/01 Feeding devices for poultry or other birds filling automatically A01K39/012 Combined feeding and drinking appliances for poultry or other birds A01K39/04
A01K5/0216	Definition statement		Insert at the end of the Definition statement: Supply of liquid and solid mixture of animal feedstuffs, e.g. water pipe for pig's fodder.
A01K5/0216	Informative ref.		Insert: Teats or nipples for young stock A01K9/005 Nipple drinkers for poultry or other birds A01K39/0213 Mixing, e.g. dissolving, emulsifying, dispersing B01F
A01K5/0225	Informative ref.	Automatic devices A01K5/02	Replace: Automatic feeding devices A01K5/02
A01K5/0266	Informative ref.	Feeding devices A01K39/01	Replace: Feeding devices for poultry or other birds A01K39/01

CPC NOTICE OF CHANGES 929

DATE: AUGUST 1, 2020

PROJECT MP0465

A01K5/0266	Informative ref.		<p>Insert:</p> <p>Feed racks with movable feed barriers, slides or fences A01K1/105</p>
A01K5/0275	Informative ref.	<p>Automatic devices A01K7/02</p> <p>Feeding devices A01K39/01</p> <p>Filling automatically A01K39/012</p>	<p>Replace:</p> <p>Automatic drinking devices for stock or game A01K7/02</p> <p>Feeding devices for poultry or other birds A01K39/01</p> <p>Feeding devices for poultry or other birds filling automatically A01K39/012</p>
A01K5/0291	Informative ref.	Feeding devices A01K61/80	<p>Replace:</p> <p>Aquatic animals feeding devices A01K61/80</p>
A01K7/025	Definition statement	<p>Watering devices where a heating and/or insulating aspect or a tank aspect is included. Details or systems for tanks or containers, e.g. connections therefor, etc. Devices may include filters, troughs or valves, etc. Heating and cooling devices, e.g. cooling disk, electrical heater, etc. Anti-freeze devices, (ice-fishing hole heater). Thermal insulation means. Devices may include anti-burst devices, e.g. expansion plugs.</p>	<p>Replace entire Definition statement with:</p> <p>Watering devices where a tank aspect is included.</p> <p>Details or systems for tanks or containers, e.g. connections therefor, etc.</p> <p>Devices may include filters, troughs or valves, etc.</p>

CPC NOTICE OF CHANGES 929

DATE: AUGUST 1, 2020

PROJECT MP0465

A01K7/06	Definition statement		<p>Insert at end of Definition statement:</p> <p>Valves for liquids actuated by adult animals.</p> <p>No pump present, only a valve to open the flow.</p>
A01K7/06	Informative ref.		<p>Insert:</p> <p>Teats or nipples A01K9/005</p> <p>Pumps actuated by the drinking animal A01K7/022</p> <p>Automatic devices for the distribution of liquid fodder A01K5/0216</p>
A01K9/00	Definition statement		<p>Insert at end of Definition statement:</p> <p>Buckets with suction nipples for calves.</p>
A01K9/005	Informative ref.		<p>Insert Informative references section and table:</p> <p>Automatic watering devices actuated by the animal A01K7/06</p> <p>Automatic devices for the Distribution of liquid fodder A01K5/0216</p> <p>Teats or nipples for poultry or other birds A01K39/0213</p>
A01K11/002	Informative ref.		<p>Insert Informative references section and table:</p> <p>Devices for piercing the ear-lobes A44C7/001</p>

CPC NOTICE OF CHANGES 929

DATE: AUGUST 1, 2020

PROJECT MP0465

A01K11/006	Informative ref.		<p>Insert:</p> <p>Anti-evasion devices for animals A01K15/023</p> <p>Portable transmitters to be carried on the body H04B1/0343</p> <p>Remote monitoring of patients using telemetry A61B5/0002</p> <p>Identification means for patients or instruments, e.g. tags using electromagnetic means, e.g. transponders A61B90/98</p>
A01K11/007	Informative ref.		<p>Insert Informative references section and table:</p> <p>Surgical instruments for veterinary use A61D1/00</p> <p>Rumen, e.g. rumen bolus as medicinal preparation A61K9/0068</p>
A01K13/00	Definition statement		<p>Insert at end of Definition statement:</p> <p>Cutting claws.</p> <p>Wellness treatments e.g. sauna, IR treatment.</p>

CPC NOTICE OF CHANGES 929

DATE: AUGUST 1, 2020

PROJECT MP0465

A01K13/00	Informative ref.		<p>Insert:</p> <p>Devices for impeding movement; Devices for impeding passage through fencing A01K15/04</p> <p>Heating/cooling appliances for medical/therapeutical treatment of the human body A61F7/00</p> <p>Devices for trimming, cutting, cauterising beaks, spurs, or the like, of poultry or other birds A61D1/005</p> <p>Nail clippers or cutters A45D29/02</p> <p>Cropping devices for tails or ears A61D1/04</p> <p>Hand-held cutting tools B26B Surgical instruments for veterinary use A61D1/00</p> <p>Removing feet or hooves from carcasses A22B5/0058</p>
A01K13/001	Informative ref.	Hoof cleaners A01L11/00	Delete

CPC NOTICE OF CHANGES 929

DATE: AUGUST 1, 2020

PROJECT MP0465

A01K13/001	Informative ref.		<p>Insert:</p> <p>Apparatus or use of substances for the care of hoofs A01L15/00</p> <p>Cleaning cow's teats A01J7/04</p> <p>Apparatus for drying solid materials or objects at rest F26B9/00</p> <p>Body-drying implements ; Toilet paper; Holders therefor A47K10/00</p> <p>Domestic washing or cleaning A47L</p>
A01K13/002	Definition statement	Chemical sheep shearing, e.g. by applying coatings.	<p>Replace with:</p> <p>Toothbrush.</p> <p>Hair removal with curry-combs or similar.</p>
A01K13/002	Informative ref.		<p>Insert:</p> <p>Rubbing-posts A01K13/004</p> <p>Removing fleece from live sheep or similar animals A01K14/00</p> <p>Hand-held cutting tools B26B</p> <p>Hair combs for care of the hair A45D24/00</p> <p>Retractable or collapsible bristle carriers arranged in the brush body A46B7/023</p> <p>Apparatus or use of substances for the care of hoofs A01L15/00</p> <p>Instruments for treating animal's teeth A61D5/00</p>

CPC NOTICE OF CHANGES 929

DATE: AUGUST 1, 2020

PROJECT MP0465

A01K13/003	Definition statement	Animal collar or pendant with pesticide	Delete
A01K13/003	Informative ref.		Insert: Leads or collars with insecticide-dispensing means A01K27/007
A01K13/004	Definition statement		Insert at end of Definition statement: Rubbing-posts with fluid dispenser (oiler).
A01K13/004	Informative ref.	Curry-combs, shearing sheep chemically A01K13/002	Replace with: Curry-combs; Brushes A01K13/002
A01K13/004	Informative ref.	Scratching devices A01K15/024	Replace with: Scratching devices e.g. cats A01K15/024
A01K13/005	Definition statement		Insert at the end of the Definition statement: Horse tail braid or similar.
A01K13/005	Informative ref.		Insert Informative references section and table: Tail holders as part of harness B68B5/04
A01K13/006	Informative ref.	Protective covers B68C5/00	Replace: Covers for animals when working B68C5/00
A01K13/006	Informative ref.		Insert: Heat protectors B68C2005/005 Horse protectors B68B7/00
A01K13/007	Informative ref.		Insert Informative references section and table: Hoof caring A01L15/00

CPC NOTICE OF CHANGES 929

DATE: AUGUST 1, 2020

PROJECT MP0465

A01K14/00	Definition statement	Sheep-shearing apparatus	Replace: Chemical sheep shearing, e.g. by applying coatings.
A01K14/00	Informative ref.		Insert Informative references section and table: Clippers or shavers of the reciprocating-cutter-type B26B19/02 Clippers or shavers specially adapted for shearing animals, e.g. sheep B26B19/24 Curry-combs; Brushes A01K13/002
A01K15/006	Definition statement	Collars for animals, for restraining their movement, e.g. against biting, licking their own skin, etc.	Delete
A01K15/006	Informative ref.		Insert Informative references section and table: Protective coverings A01K13/006
A01K15/02	Definition statement		Insert at end of Definition statement: Training for smell detection e.g. to follow clues, detect drugs, etc. Sniffer dogs training.

CPC NOTICE OF CHANGES 929

DATE: AUGUST 1, 2020

PROJECT MP0465

A01K15/02	Informative ref.		<p>Insert:</p> <p>Racing or riding sports equipment or accessories A63K3/00</p> <p>Biological systems specially adapted for detection of landmines, e.g. with detection by animals or plants F41H11/132</p> <p>Investigating fuels, explosives G01N33/22</p> <p>Hunting appliances A01M31/00</p>
A01K15/021	Informative ref.		<p>Insert Informative references section and table:</p> <p>Alarm systems for ensuring the safety of persons G08B21/02</p> <p>Transmission of position information to remote stations G01S5/0009</p> <p>Recognition of animal voices G10L17/26</p>

CPC NOTICE OF CHANGES 929

DATE: AUGUST 1, 2020

PROJECT MP0465

A01K15/021	Special rules of classification	None	<p>Insert Special rules of classification section and the following:</p> <p>Collars or similar with GPS for locating animals, including pets outside specific areas are covered in A01K11/008.</p> <p>Collars or similar for anti-evasion purpose, associated normally to one or more areas and adapted for pets are covered in A01K15/023.</p> <p>Collars or similar with anti-barking device are covered in A01K15/022.</p> <p>Collars or similar with electric-shock or other correction means, not related to areas or barking, are covered in A01K27/009.</p>
A01K15/023	Informative ref.		<p>Insert Informative references section and table:</p> <p>Automatic identification systems for animals incorporating GPS A01K11/008</p> <p>Burglar, theft or intruder alarms G08B13/00</p>
A01K15/024	Informative ref.		<p>Insert Informative references section and table:</p> <p>Rubbing posts A01K13/004</p> <p>Curry-combs; Brushes A01K13/002</p> <p>Absorbent pads characterised by the use for animals A61F2013/15186</p>

CPC NOTICE OF CHANGES 929

DATE: AUGUST 1, 2020

PROJECT MP0465

A01K15/024	Special rules for classification		<p>Insert Special rules of classification section and the following:</p> <p>When the scratching action is meant for the body of the animal that rubs itself, then it is considered a rubbing post and is covered by A01K13/004.</p> <p>If the scraping action is done to the animal, not by the animal itself, then it is considered like a comb and is covered by A01K13/002.</p> <p>When the scratching post is interpreted as used for the filing of claws, not for scratching the body, it is covered by A01K15/024.</p>
A01K15/025	Informative ref.		<p>Insert Informative references section and table:</p> <p>Chewable toys e.g. for dental care of pets A01K15/026</p> <p>Devices for use in keeping domestic animals A01K1/035</p> <p>Toys A63H</p>
A01K15/027	Definition statement		<p>Insert in definition statement under “may include monitoring systems:</p> <ul style="list-style-type: none"> • may include tracking, e.g. GPS. <p>Systems for improving the performance of horses during races and/or providing feedback during training such as gait characteristics, fatigue, lameness, heart rate, breathing, etc.</p>

CPC NOTICE OF CHANGES 929

DATE: AUGUST 1, 2020

PROJECT MP0465

<p>A01K15/027</p>	<p>Informative ref.</p>		<p>Insert Informative references section and table:</p> <p>Gait analysis A61B5/112</p> <p>Race-courses ; Race tracks A63K1/00</p> <p>Race-courses; Race tracks for greyhounds or other dogs A63K1/02</p> <p>Equestrian hurdles A63K3/046</p> <p>Registering, indicating or recording the time of events or elapsed time G07C1/24</p> <p>Training appliances or apparatus for special sports simulating the movement of horses A63B69/04</p>
<p>A01K15/04</p>	<p>Definition statement</p>	<p>Anti-kicking devices for cows. Restraining devices, e.g. grooming restraining device for dogs, etc. Animal harnesses. (Dog) leash attachments, e.g. to vehicle. Passage trough fencing, e.g. one way animal gate, fence security system, etc. Cuffs for restraining animals, e.g. leg cuffs. Head restraining devices.</p>	<p>Replace:</p> <p>Anti-kicking devices for cows. Restraining devices, e.g. grooming restraining device for dogs, etc.</p> <p>Passage through fencing, e.g. one way animal gate, fence security system, etc.</p> <p>Cuffs for restraining animals, e.g. leg cuffs. Head restraining devices.</p>

CPC NOTICE OF CHANGES 929

DATE: AUGUST 1, 2020

PROJECT MP0465

A01K15/04	Informative ref.		<p>Insert Informative references section and table:</p> <p>Animal harnesses A01K27/002</p> <p>Animal leads and leashes A01K27/003</p> <p>Transport devices for animals A01K1/0236</p> <p>Devices for immobilisation or restraint of animals A01K1/0613</p> <p>Protective coverings A01K13/006</p> <p>Boxes, bags, cages, baskets, harnesses especially adapted for transport in or on automobiles A01K1/0272</p> <p>Tethering-poles or the like A01K1/04</p>
A01K17/00	Definition statement	Cutting claws, e.g. for birds.	Delete
A01K17/00	Informative ref.		<p>Insert:</p> <p>Devices for grooming or caring of animals A01K13/00</p> <p>Surgical instruments for veterinary use A61D1/00</p>
A01K23/00	Limiting References	picking up dog excrement from the ground E01H1/1206	Delete Limiting reference section and table.
A01K23/00	Informative references		<p>Insert:</p> <p>Picking up dog excrement from the ground E01H1/1206</p>

CPC NOTICE OF CHANGES 929

DATE: AUGUST 1, 2020

PROJECT MP0465

<p>A01K23/005</p>	<p>Definition statement</p>	<p>Manure collecting devices used independently from the animal, e.g. waste scooper devices.</p> <p>Pet excrement scoop, may be in combination with a (plastic) bag.</p> <ul style="list-style-type: none"> • may comprise an elongated handle. • pick-up waste bag, used without any tools. <p>Leash mounted storage device.</p>	<p>Replace:</p> <p>Manure collecting devices used independently from the animal, e.g. waste scooper devices (not to scoop the ground).</p> <p>Pet excrement scoop, may be in combination with a (plastic) bag.</p> <ul style="list-style-type: none"> • may comprise an elongated handle. • pick-up waste bag, used without any tools.
<p>A01K23/005</p>	<p>Informative ref.</p>		<p>Insert Informative references section and table:</p> <p>Leads or collars with pockets or similar for carrying accessories A01K27/008</p> <p>Hand implements for picking up excrements E01H1/1206</p> <p>Refuse receptacles B65F1/00</p> <p>Flexible refuse bags or sacks B65F1/0006</p> <p>Types of refuse collected: dog dirt B65F2240/136</p> <p>Hand implements having means for storing bags or the like E01H2001/128</p> <p>Hand implements having means for storing used bags E01H2001/1286</p>

CPC NOTICE OF CHANGES 929

DATE: AUGUST 1, 2020

PROJECT MP0465

A01K23/005	Relationship with other classification places		<p>Insert Relationships with other classification places section and the following:</p> <p>When the waste is picked from the ground it belongs in E01H1/1206.</p> <p>When the waste is picked before falling on the ground it belongs in A01K23/005.</p> <p>When only a flexible bag is used to remove excrement it belongs to B65F1/0006.</p>
A01K25/00	Definition statement		<p>Insert at end of Definition statement:</p> <p>Prevention of bite function must be present.</p>
A01K25/00	Informative ref.		<p>Insert Informative references section and table:</p> <p>Harnesses A01K27/002</p>
A01K27/00	Definition statement	<ul style="list-style-type: none"> • may be in combination with leads or harnesses (A01K 15/04). <p>Devices may be intended for children.</p>	<p>Replace:</p> <ul style="list-style-type: none"> • may be in combination with leads or harnesses <p>Material for leash, harness or collar.</p>
A01K27/00	Informative ref.	Harnesses B68B1/00	<p>Replace:</p> <p>Devices in connection with harness, for hitching, reining, training, breaking or quietening horses or other traction animals B68B1/00</p>

CPC NOTICE OF CHANGES 929

DATE: AUGUST 1, 2020

PROJECT MP0465

A01K27/00	Informative ref.		<p>Insert:</p> <p>Accessories for children's furniture, e.g. safety belts A47D15/00</p> <p> Holders or carriers for hand articles A45F5/00</p> <p>Safety harnesses for already walking children A47D13/086</p>
A01K27/007	Definition statement		<p>Insert at end of Definition statement:</p> <p>Collar may contain flea-repelling material or insecticide, etc.</p>
A01K27/007	Informative ref.		<p>Insert Informative references section and table:</p> <p>Devices for applying insecticides or medication A01K13/003</p> <p>Pest-repellants A01N25/00</p>
A01K27/009	Relationship with other classification places		<p>Insert Relationships with other classification places and the following:</p> <p>Collars in combination with anti-barking A01K15/022</p> <p>Anti-evasion devices A01K15/023</p>

CPC NOTICE OF CHANGES 929

DATE: AUGUST 1, 2020

PROJECT MP0465

A01K27/009	Special rules of classification		<p>Insert Special rules of classification and the following:</p> <p>Collars or similar with GPS for locating animals, including pets outside specific areas are covered in A01K11/008.</p> <p>Collars or similar for anti-evasion purpose, associated normally to one or more areas and adapted for pets are covered in A01K15/023.</p> <p>Collars or similar with anti-barking device are covered in A01K15/022.</p> <p>Collars or similar with electric-shock or other correction means, not related to areas or barking, are covered in A01K27/009.</p>
A01K31/00	Definition statement	Buildings may include heating, cooling and ventilating means. Curtain control devices for poultry houses.	<p>Replace:</p> <p>Poultry house ventilation</p> <ul style="list-style-type: none"> • Buildings may include heating, cooling and ventilating means. <p>Curtain control devices for poultry houses.</p>
A01K31/00	Informative ref.	Air-conditioning A01K1/0047	<p>Replace:</p> <p>Air-conditioning, ventilation of animal housings A01K1/0047</p>
A01K31/002	Definition statement	Means and devices for (un-) loading poultry.	Delete last line of Def statement
A01K31/002	Limiting ref.	Poultry transport A01K45/005	<p>Replace:</p> <p>Harvesting or transport of poultry A01K45/005</p>

CPC NOTICE OF CHANGES 929

DATE: AUGUST 1, 2020

PROJECT MP0465

A01K31/002	Informative ref.	Transportable cages A01K31/07 Collapsible cages A01K31/08	Replace: Transportable cages for singing birds A01K31/07 Collapsible cages for singing birds A01K31/08
A01K31/005	Informative ref.	Feeding devices A01K39/01	Replace: Feeding devices for poultry or other birds A01K39/01
A01K31/007	Informative ref.		Insert Informative references and table: Dropping-boards; Devices for removing excrement A01K31/04
A01K31/02	Definition statement	Trap doors, may be automatically closing.	Delete
A01K31/04	Definition statement	Bedding material, collecting and dispensing means thereof, recycling methods.	Delete
A01K31/04	Informative ref.		Insert: Floor coverings, e.g. bedding-down sheets A01K1/015
A01K31/04	Informative ref.	Floors A01K31/007 Cages A01K31/06	Replace: Floors for poultry cages A01K31/007 Cages for singing birds A01K31/06
A01K31/07	Informative ref.		Insert Informative references table and section: Poultry cages, e.g. transport boxes A01K31/002
A01K31/08	Informative ref.	Cages A01K31/06	Replace: Cages for singing birds A01K31/06

CPC NOTICE OF CHANGES 929

DATE: AUGUST 1, 2020

PROJECT MP0465

A01K31/10	Definition statement	Trap-doors for bird-houses.	Replace: Trap-doors for bird-houses can close automatically.
A01K31/10	Limiting References		Delete Limiting references section and table.
A01K31/10	Informative References		Insert: For laying-nests A01K31/16
A01K31/12	Informative ref.	Cages A01K31/06	Replace: Cages for singing birds A01K31/06
A01K31/16	Limiting References		Delete Limiting references section and table.
A01K31/16	Informative References		Insert: Nest floors A01K31/007
A01K35/00	Informative ref.		Insert Informative references section and table: Marking of animals A01K11/00
A01K39/012	Definition statement	Device may be liquid-feeding, e.g. for hummingbirds. Devices may include prevention means for another animals to feed.	Replace: Feeders with multiple levels.
A01K39/012	Informative ref.		Insert: Drinkers especially adapted for feeding hummingbirds A01K39/0206 Means for preventing other animals or insects from eating also A01K39/0113

CPC NOTICE OF CHANGES 929

DATE: AUGUST 1, 2020

PROJECT MP0465

A01K39/0213	Informative ref.		<p>Insert Informative references section and table:</p> <p>Watering equipment for stock or game actuated by the animal A01K7/06</p> <p>Teats or nipples for young stock A01K9/005</p>
A01K39/06	Informative ref.	<p>Cages A01K31/00</p> <p>Feeding devices A01K39/01</p>	<p>Replace:</p> <p>Cages for housing birds A01K31/00</p> <p>Feeding devices for poultry or other birds A01K39/01</p>
A01K43/00	Informative ref.		<p>Insert:</p> <p>Packaging or unpacking eggs B65B23/02</p> <p>Manipulating eggs to be packed using grippers B65B23/08</p> <p>Printing on 3D objects B41J3/4073</p> <p>Printing apparatus or machines for printing on curved surfaces of essentially spherical, or part-spherical, articles B41F17/30</p>
A01K45/00	Definition statement	Influencing or measuring biological activity, e.g. by electrical field.	<p>Replace with:</p> <p>Influencing or measuring biological activity, e.g. by electrical field, blue light.</p> <p>Irradiation to increase egg/meat production.</p>

CPC NOTICE OF CHANGES 929

DATE: AUGUST 1, 2020

PROJECT MP0465

A01K45/00	Informative ref.	Cages A01K31/06 Artificial insemination A61D19/02	Replace: Cages for singing birds A01K31/06 Instruments or methods for reproduction or fertilisation for artificial insemination A61D19/02
A01K45/00	Informative ref.		Insert: Injecting or otherwise treating hatching eggs A01K45/007
A01K45/007	Informative ref.		Insert Informative references section and table: Vaccination appliances A61D1/025 Syringes A61M5/178 Bioreactors for cultivation of avian eggs C12M21/10
A01K47/00	Informative ref.		Insert Informative references section and table: Products from apiculture, e.g. royal jelly or pollen A23L21/20
A01K47/06	Definition statement	Pollinating systems.	Replace: Pollinating systems (removing pollen from the bees when returning, e.g. brush at the entrance).
A01K47/06	Informative ref.		Insert Informative references section and table: Honey collection A01K59/00
A01K51/00	Definition statement	Means for supplying fresh water for the bees.	Replace: Appliances against parasites, e.g. varroa

CPC NOTICE OF CHANGES 929

DATE: AUGUST 1, 2020

PROJECT MP0465

A01K51/00	Informative ref.		Insert Informative references section and table: Feeding or drinking appliances for bees A01K53/00
A01K53/00	Definition statement		Insert at the end of the Definition statement: Means for supplying fresh water for the bees.
A01K73/00	Informative ref.		Insert Informative references section and table: Cleaning or keeping clear the surface of open water E02B15/00 Vessels for collecting pollution from open water B63B35/32
A01K73/02	Informative ref.		Insert Informative references section and table: Fishing vessels B63B35/14 Fishing trawlers B63B35/16
A01K73/06	Informative ref.		Insert: Fishing trawlers adapted to dragging nets aboard B63B35/18 Fishing trawlers adapted to hoisting nets aboard B63B35/20
A01K89/00	Limiting References	Devices for casting lines A01K91/02	Delete Limiting references section and table
A01K89/00	Informative references		Insert Informative references section and table: Devices for casting lines A01K91/02

NOTES:

CPC NOTICE OF CHANGES 929

DATE: AUGUST 1, 2020

PROJECT MP0465

- The table above is used for corrections or modifications to existing definitions, e.g. delete an entire definition or part thereof; propose new wording or modify wording of a section, change the symbol the definition is associated with, change or delete a reference symbol, etc.
- Do not delete (F) symbol definitions.