

EUROPEAN PATENT OFFICE  
U.S. PATENT AND TRADEMARK OFFICE

CPC NOTICE OF CHANGES 968

DATE: JANUARY 1, 2021

PROJECT RP0697

The following classification changes will be effected by this Notice of Changes:

| <u>Action</u>     | <u>Subclass</u> | <u>Group(s)</u>  |
|-------------------|-----------------|--|
| <b>SCHEME:</b>    |                 |  |
| Symbols Deleted:  | A61B            | 5/04, 5/04001, 5/04002, 5/04004, 5/04005, 5/04007, 5/04008, 5/04009, 5/04011, 5/04012, 5/04014, 5/04015, 5/04017, 5/04018, 5/0402, 5/04021, 5/04023, 5/04025, 5/04026, 5/04028, 5/0404, 5/0408, 5/04082, 5/04085, 5/04087, 5/0416, 5/042, 5/0421, 5/0422, 5/0424, 5/0428, 5/04282, 5/04284, 5/04286, 5/04288, 5/0432, 5/04325, 5/0436, 5/04365, 5/044, 5/0444, 5/0448, 5/04485, 5/0452, 5/04525, 5/0456, 5/046, 5/0464, 5/0468, 5/0472, 5/0476, 5/0478, 5/048, 5/0482, 5/0484, 5/04842, 5/04845, 5/04847, 5/0488, 5/04882, 5/04884, 5/04886, 5/04888, 5/0492, 5/0496, 5/0555   |
| Symbols New:      | A61B            | 5/24, 5/2415, 5/242, 5/243, 5/245, 5/246, 5/248, 5/25, 5/251, 5/252, 5/254, 5/256, 5/257, 5/259, 5/26, 5/262, 5/263, 5/265, 5/266, 5/268, 5/27, 5/271, 5/273, 5/274, 5/276, 5/277, 5/279, 5/28, 5/282, 5/283, 5/285, 5/287, 5/288, 5/29, 5/291, 5/293, 5/294, 5/296, 5/297, 5/30, 5/301, 5/302, 5/303, 5/304, 5/305, 5/307, 5/308, 5/31, 5/311, 5/313, 5/315, 5/316, 5/318, 5/319, 5/321, 5/322, 5/324, 5/325, 5/327, 5/329, 5/33, 5/332, 5/333, 5/335, 5/336, 5/337, 5/338, 5/339, 5/341, 5/343, 5/344, 5/346, 5/347, 5/349, 5/35, 5/352, 5/353, 5/355, 5/357, 5/358, 5/36, 5/361, 5/363, 5/364, 5/366, 5/367, 5/369, 5/37, 5/372, 5/374, 5/375, 5/377, 5/378, 5/38, 5/381, 5/383, 5/384, 5/386, 5/388, 5/389, 5/391, 5/392, 5/394, 5/395, 5/397, 5/398 |
| Titles Changed:   | A61B            | 5/00, 5/05, 5/0507, 5/0515, 5/0522, 5/0531, 5/0532, 5/0533, 5/0534, 5/0535, 5/0536, 5/0537, 5/0538, 5/12, 5/228, 5/4029, 5/4064, 5/4519, 5/486, 5/6832, 5/7225, 5/7235, 5/725, 5/7271, 5/7278, 5/7282, 5/742   |
|                   | A61B            | 7/023  |
|                   | A61B            | 2562/0209  |
| Warnings Deleted: | A61B            | 5/0488, 5/04888, 5/4851  |
|                   | A61F            | 2002/482, 2/68, 2/70, 2/72   |

CPC NOTICE OF CHANGES 968

DATE: JANUARY 1, 2021

PROJECT RP0697

| <u>Action</u>         | <u>Subclass</u> | <u>Group(s)</u>  |
|-----------------------|-----------------|--|
| Warnings New:         | A61B            | 5/0295, 5/0535, 5/242, 5/248, 5/25, 5/251, 5/26, 5/262, 5/263, 5/271, 5/276, 5/277, 5/279, 5/283, 5/29, 5/293, 5/294, 5/297, 5/30, 5/305, 5/307, 5/316, 5/321, 5/329, 5/33, 5/338, 5/343, 5/346, 5/367, 5/369, 5/37, 5/372, 5/377, 5/383, 5/384, 5/386, 5/388, 5/395, 5/397, 5/398                               |
| Notes New:            | A61B            | 5/00   |
| <b>DEFINITIONS:</b>   |                 |  |
| Definitions Deleted:  | A61B            | 5/04, 5/04001, 5/04004, 5/04005, 5/04012, 5/04014, 5/0402, 5/0404, 5/0408, 5/04082, 5/04085, 5/04087, 5/042, 5/0422, 5/0424, 5/04282, 5/04286, 5/04288, 5/0432, 5/04325, 5/044, 5/0448, 5/04485, 5/0452, 5/0456, 5/0464, 5/0476, 5/0478, 5/048, 5/0482, 5/0484, 5/04845, 5/0488, 5/04888, 5/0492, 5/0496, 5/0555 |
| Definitions New:      | A61B            | 5/24, 5/242, 5/25, 5/252, 5/259, 5/276, 5/282, 5/283, 5/287, 5/288, 5/30, 5/301, 5/303, 5/304, 5/316, 5/318, 5/332, 5/333, 5/335, 5/339, 5/349, 5/352, 5/363, 5/369, 5/374, 5/375, 5/377, 5/38, 5/389, 5/398   |
| Definitions Modified: | A61B            | Subclass   |
|                       | A61B            | 3/113  |
|                       | A61B            | 5/0245, 5/05, 5/0531, 5/0534, 5/0535, 5/0536, 5/0537, 5/11, 5/12, 5/16, 5/202, 5/4029, 5/4058, 5/4064, 5/42, 5/4519, 5/4851, 5/486, 5/4893, 5/6803, 5/6811, 5/6814, 5/6825, 5/6832, 5/6834, 5/704  |
|                       | A61B            | 6/04, 6/0407, 6/0414, 6/461, 6/486, 6/501, 6/503, 6/506, 6/5288  |
|                       | A61B            | 7/023  |
|                       | A61B            | 8/0816, 8/0883, 8/461  |
|                       | A61B            | 17/1626, 17/7092   |

The following subclasses/groups are also impacted by this Notice of Changes: A61F, A61G, A61N, G01D, G01R, G06F, G06K, H03F

This Notice of Changes includes the following [Check the ones included]:

1. CLASSIFICATION SCHEME CHANGES

- A. New, Modified or Deleted Group(s)
- B. New, Modified or Deleted Warning(s)
- C. New, Modified or Deleted Note(s)
- D. New, Modified or Deleted Guidance Heading(s)

CPC NOTICE OF CHANGES 968

DATE: JANUARY 1, 2021

PROJECT RP0697

2. DEFINITIONS

- A. New or Modified Definitions (Full definition template)
  - B. Modified or Deleted Definitions (Definitions Quick Fix)
3.  REVISION CONCORDANCE LIST (RCL)
  4.  CHANGES TO THE CPC-TO-IPC CONCORDANCE LIST (CICL)
  5.  CHANGES TO THE CROSS-REFERENCE LIST (CRL)

## CPC NOTICE OF CHANGES 968

DATE: JANUARY 1, 2021

PROJECT RP0697

## 1. CLASSIFICATION SCHEME CHANGES

A. New, Modified or Deleted Group(s)

**SUBCLASS A61B – DIAGNOSIS; SURGERY; IDENTIFICATION (analysing biological material G01N, e.g. G01N 33/48; obtaining records using waves other than optical waves, in general G03B 42/00)**

| <u>Type*</u> | <u>Symbol</u> | <u>Indent Level</u><br><u>Number of</u><br><u>dots (e.g.</u><br><u>0, 1, 2)</u> | <u>Title</u><br><u>“CPC only” text should normally be</u><br><u>enclosed in {curly brackets}**</u>   | <u>Transferred to#</u>                  |
|--------------|---------------|---|--|---|
| M            | A61B5/00      | 0   | Measuring for diagnostic purposes (radiation diagnosis A61B 6/00; diagnosis by ultrasonic, sonic or infrasonic waves A61B 8/00); Identification of persons |   |
| D            | A61B5/04      | 1   | Measuring bioelectric signals of the body or parts thereof   | <administrative transfer to A61B5/24>   |
| D            | A61B5/04001   | 2   | {adapted to neuroelectric signals, e.g. nerve impulses}  | <administrative transfer to A61B5/24>   |
| D            | A61B5/04002   | 2   | {Measuring direct current (D.C.) or slowly varying biopotentials}  | <administrative transfer to A61B5/2415> |
| D            | A61B5/04004   | 2   | {Input circuits for EEG-, or EMG-signals}  | <administrative transfer to A61B5/30>   |
| D            | A61B5/04005   | 2   | {Detecting magnetic fields produced by bio-electric currents (measuring magnetic variables in general G01R 33/00)}   | <administrative transfer to A61B5/242>  |
| D            | A61B5/04007   | 3   | {specially adapted for magnetocardiographic signals}   | <administrative transfer to A61B5/243>  |
| D            | A61B5/04008   | 3   | {specially adapted for magneto-encephalographic signals}   | <administrative transfer to A61B5/245>  |
| D            | A61B5/04009   | 4   | {using evoked response}  | <administrative transfer to A61B5/246>  |
| D            | A61B5/04011   | 2   | {Vector-cardiography}  | <administrative transfer to A61B5/341>  |
| D            | A61B5/04012   | 2   | {Analysis of electro-cardiograms, electro-encephalograms, electro-myograms}  | <administrative transfer to A61B5/316>  |
| D            | A61B5/04014   | 3   | {by measuring frequency distribution using a set of filters (arrangements for analysing frequency spectra in general G01R 23/00)}                          | <administrative transfer to A61B5/316>  |
| D            | A61B5/04015   | 4   | {provided with alarm devices}  | <administrative transfer to A61B5/316>  |
| D            | A61B5/04017   | 3   | {by using digital filtering}   | <administrative transfer to A61B5/316>  |
| D            | A61B5/04018   | 4   | {provided with alarm devices}  | <administrative transfer to A61B5/316>  |

## CPC NOTICE OF CHANGES 968

DATE: JANUARY 1, 2021

PROJECT RP0697

| <b>Type*</b> | <b>Symbol</b> | <b>Indent Level<br/>Number of<br/>dots (e.g.<br/>0, 1, 2)</b> | <b>Title<br/>“CPC only” text should normally be<br/>enclosed in {curly brackets}**</b>  | <b>Transferred to#</b>                  |
|--------------|---------------|---|---|---|
| D            | A61B5/0402    | 2   | Electrocardiography, i.e. ECG   | <administrative transfer to A61B5/318>  |
| D            | A61B5/04021   | 3   | {ECG simulator circuits}  | <administrative transfer to A61B5/319>  |
| D            | A61B5/04023   | 3   | {Physical templates or devices for measuring ECG waveforms, e.g. an electrocardiograph ruler or caliper (A61B 5/04525 takes precedence)}                                | <administrative transfer to A61B5/322>  |
| D            | A61B5/04025   | 3   | {Preparing electrode site, e.g. by abrasion}  | <administrative transfer to A61B5/325>  |
| D            | A61B5/04026   | 3   | {Means for providing electrolyte, e.g. syringes}  | <administrative transfer to A61B5/324>  |
| D            | A61B5/04028   | 3   | {Generation of artificial ECG signals based on measured signals, e.g. to compensate for missing leads}  | <administrative transfer to A61B5/327>  |
| D            | A61B5/0404    | 3   | Hand-held devices   | <administrative transfer to A61B 5/332> |
| D            | A61B5/0408    | 3   | Electrodes specially adapted therefor (for foetal cardiography A61B 5/0448; for electroencephalograph signals A61B 5/0478; for electromyography A61B 5/0492)            | <administrative transfer to A61B 5/25>  |
| D            | A61B5/04082   | 4   | {attached by means of suction}  | <administrative transfer to A61B5/252>  |
| D            | A61B5/04085   | 4   | {Multiple electrode holders (A61B5/04286, A61B5/0422 take precedence)}  | <administrative transfer to A61B5/282>  |
| D            | A61B5/04087   | 4   | {using conductive adhesive means}   | <administrative transfer to A61B5/259>  |
| D            | A61B5/0416    | 4   | connected by means of snap fasteners  | <administrative transfer to A61B5/274>  |
| D            | A61B5/042     | 4   | for introducing into the body   | <administrative transfer to A61B5/283>  |
| D            | A61B5/0421    | 5   | {Endotracheal, oesophageal or gastric probes}   | <administrative transfer to A61B5/285>  |
| D            | A61B5/0422    | 5   | {Multiple electrode holders}  | <administrative transfer to A61B5/287>  |
| D            | A61B5/0424    | 4   | Protection against electrode failure  | <administrative transfer to A61B5/276>  |
| D            | A61B5/0428    | 3   | Input circuits specially adapted therefor   | <administrative transfer to A61B5/30>   |
| D            | A61B5/04282   | 4   | {using insulating or floating elements, e.g. transformers, opto-couplers (transformers for specific applications H01F 38/00; amplifiers H03F; optocouplers H04B 10/80)} | <administrative transfer to A61B5/301>  |

## CPC NOTICE OF CHANGES 968

DATE: JANUARY 1, 2021

PROJECT RP0697

| <b>Type*</b> | <b>Symbol</b> | <b>Indent Level<br/>Number of<br/>dots (e.g.<br/>0, 1, 2)</b> | <b>Title<br/>“CPC only” text should normally be<br/>enclosed in {curly brackets}**</b>  | <b>Transferred to#</b>                 |
|--------------|---------------|---|---|--|
| D            | A61B5/04284   | 4   | {Capacitive or ionised electrodes, e.g. MOSFET}   | <administrative transfer to A61B5/302> |
| D            | A61B5/04286   | 4   | {Patient cord assembly, e.g. cable harness}   | <administrative transfer to A61B5/303> |
| D            | A61B5/04288   | 4   | {Switching circuits}  | <administrative transfer to A61B5/304> |
| D            | A61B5/0432    | 3   | Recording apparatus specially adapted therefor  | <administrative transfer to A61B5/333> |
| D            | A61B5/04325   | 4   | {using integrated circuit memory devices}   | <administrative transfer to A61B5/335> |
| D            | A61B5/0436    | 4   | Magnetic recording apparatus  | <administrative transfer to A61B5/336> |
| D            | A61B5/04365   | 5   | {Playback at speeds other than the recording speed}   | <administrative transfer to A61B5/337> |
| D            | A61B5/044     | 3   | Displays specially adapted therefor {(arrangements for displaying electric variables or waveforms, e.g. cathode-ray oscilloscopes, G01R 13/00)}                                 | <administrative transfer to A61B5/339> |
| D            | A61B5/0444    | 3   | Foetal cardiography   | <administrative transfer to A61B5/344> |
| D            | A61B5/0448    | 4   | Electrodes specially adapted therefor, e.g. scalp electrodes  | <administrative transfer to A61B5/288> |
| D            | A61B5/04485   | 5   | {attached by means of suction}  | <administrative transfer to A61B5/252> |
| D            | A61B5/0452    | 3   | Detecting specific parameters of the electrocardiograph cycle   | <administrative transfer to A61B5/349> |
| D            | A61B5/04525   | 4   | {by template matching}  | <administrative transfer to A61B5/35>  |
| D            | A61B5/0456    | 4   | Detecting R peaks, e.g. for synchronising diagnostic apparatus {(physiological signal analysis for synchronising or triggering a measurement or image acquisition A61B 5/7285)} | <administrative transfer to A61B5/352> |
| D            | A61B5/046     | 4   | Detecting fibrillation  | <administrative transfer to A61B5/361> |
| D            | A61B5/0464    | 4   | Detecting tachycardia or bradycardia  | <administrative transfer to A61B5/363> |
| D            | A61B5/0468    | 4   | Detecting abnormal ECG interval {, e.g. extrasystoles, ectopic heartbeats}  | <administrative transfer to A61B5/364> |
| D            | A61B5/0472    | 4   | Detecting abnormal QRS complex {, e.g. widening}  | <administrative transfer to A61B5/366> |
| D            | A61B5/0476    | 2   | Electroencephalography {(devices for psychotechnics A61B 5/16)}   | <administrative transfer to A61B5/369> |
| D            | A61B5/0478    | 3   | Electrodes specially adapted therefor   | <administrative transfer to A61B5/291> |

## CPC NOTICE OF CHANGES 968

DATE: JANUARY 1, 2021

PROJECT RP0697

| <b>Type*</b> | <b>Symbol</b> | <b>Indent Level<br/>Number of<br/>dots (e.g.<br/>0, 1, 2)</b> | <b>Title<br/>“CPC only” text should normally be<br/>enclosed in {curly brackets}**</b>   | <b>Transferred to#</b>                 |
|--------------|---------------|---|--|--|
| D            | A61B5/048     | 3   | Detecting the frequency distribution of signals {(analysing frequency spectra in general G01R 23/00)}  | <administrative transfer to A61B5/374> |
| D            | A61B5/0482    | 3   | using biofeedback {(biofeedback <u>per se</u> A61B 5/486)}   | <administrative transfer to A61B5/375> |
| D            | A61B5/0484    | 3   | using evoked response  | <administrative transfer to A61B5/377> |
| D            | A61B5/04842   | 4   | {visually}   | <administrative transfer to A61B5/378> |
| D            | A61B5/04845   | 4   | {acoustically or auditory}   | <administrative transfer to A61B5/38>  |
| D            | A61B5/04847   | 4   | {olfactory or gustatory}   | <administrative transfer to A61B5/381> |
| D            | A61B5/0488    | 2   | Electromyography   | <administrative transfer to A61B5/389> |
| D            | A61B5/04882   | 3   | { of genito-urinary organs }   | <administrative transfer to A61B5/391> |
| D            | A61B5/04884   | 3   | {Detecting gastro-intestinal contractions}   | <administrative transfer to A61B5/392> |
| D            | A61B5/04886   | 3   | { specially adapted for electroglottography or electropalatography }   | <administrative transfer to A61B5/394> |
| D            | A61B5/04888   | 3   | {Control of prosthetics}   | <administrative transfer to A61B5/389> |
| D            | A61B5/0492    | 3   | Electrodes specially adapted therefor, e.g. needle electrodes  | <administrative transfer to A61B5/296> |
| D            | A61B5/0496    | 2   | Electro-oculography, e.g. detecting nystagmus {(measuring or inducing nystagmus A61B 5/4863)}  | <administrative transfer to A61B5/398> |
| M            | A61B5/05      | 1   | Detecting, measuring or recording for diagnosis by means of electric currents or magnetic fields; Measuring using microwaves or radio waves (impedance plethysmography A61B 5/0295; measuring movement of the entire body or parts thereof A61B 5/11; detecting, measuring or recording bioelectric or biomagnetic signals of the body or parts thereof A61B 5/24) |  |
| M            | A61B5/0507    | 2   | using microwaves or terahertz waves  |  |
| M            | A61B5/0515    | 2   | Magnetic particle imaging  |  |
| M            | A61B5/0522    | 2   | Magnetic induction tomography  |  |
| U            | A61B5/053     | 2   | Measuring electrical impedance or conductance of a portion of the body   |  |
| M            | A61B5/0531    | 3   | Measuring skin impedance   |  |

## CPC NOTICE OF CHANGES 968

DATE: JANUARY 1, 2021

PROJECT RP0697

| <b>Type*</b> | <b>Symbol</b> | <b>Indent Level<br/>Number of<br/>dots (e.g.<br/>0, 1, 2)</b> | <b>Title<br/>“CPC only” text should normally be<br/>enclosed in {curly brackets}**</b>            | <b>Transferred to#</b>                 |
|--------------|---------------|---|---|--|
| M            | A61B5/0532    | 4   | especially adapted for acupuncture or moxibustion   |  |
| M            | A61B5/0533    | 4   | Measuring galvanic skin response  |  |
| M            | A61B5/0534    | 3   | for testing vitality of teeth   |  |
| C            | A61B5/0535    | 3   | Impedance plethysmography (for measuring blood flow A61B 5/0295)                                  | A61B5/0535, A61B5/0295                 |
| M            | A61B5/0536    | 3   | Impedance imaging, e.g. by tomography   |  |
| M            | A61B5/0537    | 3   | Measuring body composition by impedance, e.g. tissue hydration or fat content                     |  |
| M            | A61B5/0538    | 3   | invasively, e.g. using a catheter   |  |
| T            | A61B5/055     | 2   | involving electronic [EMR] or nuclear [NMR] magnetic resonance, e.g. magnetic resonance imaging   |  |
| D            | A61B5/0555    | 3   | {Means for positioning of patients (for radiation diagnosis or therapy A61B6/04)}                 | <administrative transfer to A61B5/055> |
| M            | A61B5/12      | 1   | Audiometry  |  |
| M            | A61B5/228     | 3   | {of masticatory organs, e.g. detecting dental force}  |  |
| N            | A61B5/24      | 1   | Detecting, measuring or recording bioelectric or biomagnetic signals of the body or parts thereof |  |
| N            | A61B5/2415    | 2   | {Measuring direct current [DC] or slowly varying biopotentials}                                   |  |
| Q            | A61B5/242     | 2   | Detecting biomagnetic fields, e.g. magnetic fields produced by bioelectric currents               | A61B5/242, A61B5/248                   |
| N            | A61B5/243     | 3   | especially adapted for magnetocardiographic [MCG] signals   |  |
| N            | A61B5/245     | 3   | especially adapted for magnetoencephalographic [MEG] signals                                      |  |
| N            | A61B5/246     | 4   | using evoked responses  |  |
| N            | A61B5/248     | 3   | especially adapted for magnetoneurographic [MNG] signals, e.g. magnetospinographic [MSG] signals  |  |



## CPC NOTICE OF CHANGES 968

DATE: JANUARY 1, 2021

PROJECT RP0697

| <b>Type*</b> | <b>Symbol</b> | <b>Indent Level<br/>Number of<br/>dots (e.g.<br/>0, 1, 2)</b> | <b>Title<br/>“CPC only” text should normally be<br/>enclosed in {curly brackets}**</b>   | <b>Transferred to#</b>  |
|--------------|---------------|---|--|---|
| Q            | A61B5/25      | 2   | Bioelectric electrodes therefor  | A61B5/25, A61B5/251,<br>A61B5/254, A61B5/256,<br>A61B5/257, A61B5/26,<br>A61B5/262, A61B5/263,<br>A61B5/265, A61B5/266,<br>A61B5/268, A61B5/27,<br>A61B5/271, A61B5/273,<br>A61B5/274, A61B5/276,<br>A61B5/277, A61B5/279,<br>A61B5/28, A61B5/29,<br>A61B5/293, A61B5/294,<br>A61B5/297 |
| N            | A61B5/251     | 3   | Means for maintaining electrode contact<br>with the body   |   |
| N            | A61B5/252     | 4   | by suction   |   |
| N            | A61B5/254     | 4   | by clips   |   |
| N            | A61B5/256     | 4   | Wearable electrodes, e.g. having straps<br>or bands  |   |
| N            | A61B5/257     | 4   | using adhesive means, e.g. adhesive<br>pads or tapes   |   |
| N            | A61B5/259     | 5   | using conductive adhesive means, e.g.<br>gels  |   |
| N            | A61B5/26      | 3   | maintaining contact between the body<br>and the electrodes by the action of the<br>subjects, e.g. by placing the body on the<br>electrodes or by grasping the electrodes |   |
| N            | A61B5/262     | 3   | Needle electrodes  |   |
| N            | A61B5/263     | 3   | characterised by the electrode materials   |   |
| N            | A61B5/265     | 4   | containing silver or silver chloride   |   |
| N            | A61B5/266     | 4   | containing electrolytes, conductive gels<br>or pastes  |   |
| N            | A61B5/268     | 4   | containing conductive polymers, e.g.<br>PEDOT:PSS polymers   |   |
| N            | A61B5/27      | 4   | Conductive fabrics or textiles   |   |
| N            | A61B5/271     | 3   | Arrangements of electrodes with cords,<br>cables or leads, e.g. single leads or<br>patient cord assemblies   |   |
| N            | A61B5/273     | 4   | Connection of cords, cables or leads to<br>electrodes  |   |
| N            | A61B5/274     | 5   | using snap or button fasteners   |   |
| N            | A61B5/276     | 3   | Protection against electrode failure   |   |
| N            | A61B5/277     | 3   | Capacitive electrodes  |   |
| N            | A61B5/279     | 3   | specially adapted for particular uses  |   |
| N            | A61B5/28      | 4   | for electrocardiography [ECG]  |   |

## CPC NOTICE OF CHANGES 968

DATE: JANUARY 1, 2021

PROJECT RP0697

| <b>Type*</b> | <b>Symbol</b> | <b>Indent Level<br/>Number of<br/>dots (e.g.<br/>0, 1, 2)</b> | <b>Title<br/>“CPC only” text should normally be<br/>enclosed in {curly brackets}**</b>                 | <b>Transferred to#</b>   |
|--------------|---------------|---|--|--|
| N            | A61B5/282     | 5   | Holders for multiple electrodes (for introduction into the body A61B 5/287)                            |  |
| Q            | A61B5/283     | 5   | Invasive   | A61B5/29, A61B5/293, A61B5/283   |
| N            | A61B5/285     | 6   | Endotracheal, oesophageal or gastric probes  |  |
| N            | A61B5/287     | 6   | Holders for multiple electrodes, e.g. electrode catheters for electrophysiological study [EPS]         |  |
| N            | A61B5/288     | 6   | for foetal cardiography, e.g. scalp electrodes   |  |
| N            | A61B5/29      | 6   | for permanent or long-term implantation  |  |
| N            | A61B5/291     | 4   | for electroencephalography [EEG]   |  |
| N            | A61B5/293     | 5   | Invasive   |  |
| N            | A61B5/294     | 4   | for nerve conduction study [NCS]   |  |
| N            | A61B5/296     | 4   | for electromyography [EMG]   |  |
| N            | A61B5/297     | 4   | for electrooculography [EOG]: for electroretinography [ERG]  |  |
| Q            | A61B5/30      | 2   | Input circuits therefor  | A61B5/30, A61B5/305, A61B5/307, A61B5/308, A61B5/31, A61B5/311, A61B5/313, A61B5/315 |
| N            | A61B5/301     | 3   | providing electrical separation, e.g. by using isolating transformers or optocouplers                  |  |
| N            | A61B5/302     | 3   | for capacitive or ionised electrodes, e.g. metal-oxide-semiconductor field-effect transistors [MOSFET] |  |
| N            | A61B5/303     | 3   | {Patient cord assembly, e.g. cable harness}  |  |
| N            | A61B5/304     | 3   | Switching circuits   |  |
| N            | A61B5/305     | 3   | Common mode rejection  |  |
| N            | A61B5/307     | 3   | specially adapted for particular uses  |  |
| N            | A61B5/308     | 4   | for electrocardiography [ECG]  |  |
| N            | A61B5/31      | 4   | for electroencephalography [EEG]   |  |
| N            | A61B5/311     | 4   | for nerve conduction study [NCS]   |  |
| N            | A61B5/313     | 4   | for electromyography [EMG]   |  |
| N            | A61B5/315     | 4   | for electrooculography [EOG]; for electroretinography [ERG]  |  |

## CPC NOTICE OF CHANGES 968

DATE: JANUARY 1, 2021

PROJECT RP0697

| <b>Type*</b> | <b>Symbol</b> | <b>Indent Level<br/>Number of<br/>dots (e.g.<br/>0, 1, 2)</b> | <b>Title<br/>“CPC only” text should normally be<br/>enclosed in {curly brackets}**</b>   | <b>Transferred to#</b>  |
|--------------|---------------|---|--|---|
| Q            | A61B5/316     | 2   | Modalities, i.e. specific diagnostic methods   | A61B5/316, A61B5/321, A61B5/329, A61B5/33, A61B5/338, A61B5/343, A61B5/346, A61B5/347, A61B5/353, A61B5/355, A61B5/357, A61B5/358, A61B5/36, A61B5/367, A61B5/388, A61B5/395, A61B5/397 |
| N            | A61B5/318     | 3   | Heart-related electrical modalities, e.g. electrocardiography [ECG]  |   |
| N            | A61B5/319     | 4   | Circuits for simulating ECG signals  |   |
| N            | A61B5/321     | 4   | Accessories or supplementary instruments therefor, e.g. cord hangers   |   |
| N            | A61B5/322     | 5   | Physical templates or devices for measuring ECG waveforms, e.g. electrocardiograph rulers or calipers (by template matching A61B 5/35) |   |
| N            | A61B5/324     | 5   | Means for providing electrolytes, e.g. syringes  |   |
| N            | A61B5/325     | 4   | Preparing electrode sites, e.g. by abrasion  |   |
| N            | A61B5/327     | 4   | Generation of artificial ECG signals based on measured signals, e.g. to compensate for missing leads                                   |   |
| N            | A61B5/329     | 4   | Load diagnosis, e.g. cardiac stress tests  |   |
| N            | A61B5/33      | 4   | specially adapted for cooperation with other devices   |   |
| N            | A61B5/332     | 4   | Portable devices specially adapted therefor  |   |
| N            | A61B5/333     | 4   | Recording apparatus especially adapted therefor  |   |
| N            | A61B5/335     | 5   | using integrated circuit memory devices  |   |
| N            | A61B5/336     | 5   | Magnetic recording apparatus   |   |
| N            | A61B5/337     | 6   | {Playback at speeds other than the recording speed}  |   |
| N            | A61B5/338     | 5   | Recording by printing on paper   |   |
| N            | A61B5/339     | 4   | Displays especially adapted therefor   |   |
| N            | A61B5/341     | 5   | Vectorcardiography [VCG]   |   |
| N            | A61B5/343     | 5   | Potential distribution indication  |   |
| N            | A61B5/344     | 4   | Foetal cardiography  |   |
| N            | A61B5/346     | 4   | Analysis of electrocardiograms   |   |
| N            | A61B5/347     | 5   | Detecting the frequency distribution of signals  |   |

## CPC NOTICE OF CHANGES 968

DATE: JANUARY 1, 2021

PROJECT RP0697

| <b>Type*</b> | <b>Symbol</b> | <b>Indent Level<br/>Number of<br/>dots (e.g.<br/>0, 1, 2)</b> | <b>Title<br/>“CPC only” text should normally be<br/>enclosed in {curly brackets}**</b>                   | <b>Transferred to#</b>                                     |
|--------------|---------------|---|--|--|
| N            | A61B5/349     | 5   | Detecting specific parameters of the electrocardiograph cycle  |  |
| N            | A61B5/35      | 6   | by template matching   |  |
| N            | A61B5/352     | 6   | Detecting R peaks, e.g. for synchronising diagnostic apparatus;<br>Estimating R-R interval               |  |
| N            | A61B5/353     | 6   | Detecting P-waves  |  |
| N            | A61B5/355     | 6   | Detecting T-waves  |  |
| N            | A61B5/357     | 6   | Detecting U-waves  |  |
| N            | A61B5/358     | 6   | Detecting ST segments  |  |
| N            | A61B5/36      | 6   | Detecting PQ interval, PR interval or QT interval  |  |
| N            | A61B5/361     | 6   | Detecting fibrillation   |  |
| N            | A61B5/363     | 6   | Detecting tachycardia or bradycardia   |  |
| N            | A61B5/364     | 6   | Detecting abnormal ECG interval, e.g. extrasystoles, ectopic heartbeats                                  |  |
| N            | A61B5/366     | 6   | Detecting abnormal QRS complex, e.g. widening  |  |
| N            | A61B5/367     | 4   | Electrophysiological study [EPS], e.g. electrical activation mapping or electro-anatomical mapping       |  |
| Q            | A61B5/369     | 3   | Electroencephalography [EEG] (devices for psychotechnics A61B 5/16)                                      | A61B5/369, A61B5/37,<br>A61B5/372, A61B5/384,<br>A61B5/386 |
| N            | A61B5/37      | 4   | Intracranial electroencephalography [IC-EEG], e.g. electrocorticography [ECoG]                           |  |
| N            | A61B5/372     | 4   | Analysis of electroencephalograms  |  |
| N            | A61B5/374     | 5   | Detecting the frequency distribution of signals, e.g. detecting delta, theta, alpha, beta or gamma waves |  |
| N            | A61B5/375     | 4   | using biofeedback  |  |
| Q            | A61B5/377     | 4   | using evoked responses   | A61B5/377, A61B5/383                                       |
| N            | A61B5/378     | 5   | Visual stimuli   |  |
| N            | A61B5/38      | 5   | Acoustic or auditory stimuli   |  |
| N            | A61B5/381     | 5   | Olfactory or gustatory stimuli   |  |
| N            | A61B5/383     | 5   | Somatosensory stimuli, e.g. electric stimulation   |  |
| N            | A61B5/384     | 4   | Recording apparatus or displays specially adapted therefor   |  |
| N            | A61B5/386     | 4   | Accessories or supplementary instruments therefor  |  |
| N            | A61B5/388     | 3   | Nerve conduction study, e.g. detecting action potential of peripheral nerves                             |  |
| N            | A61B5/389     | 3   | Electromyography [EMG]   |  |
| N            | A61B5/391     | 4   | of genito-urinary organs   |  |

## CPC NOTICE OF CHANGES 968

DATE: JANUARY 1, 2021

PROJECT RP0697

| <b>Type*</b> | <b>Symbol</b> | <b>Indent Level<br/>Number of<br/>dots (e.g.<br/>0, 1, 2)</b> | <b>Title<br/>“CPC only” text should normally be<br/>enclosed in {curly brackets}**</b>  | <b>Transferred to#</b> |
|--------------|---------------|---|---|------------------------|
| N            | A61B5/392     | 4   | Detecting gastrointestinal contractions   |                        |
| N            | A61B5/394     | 4   | pecially adapted for electroglottography or electropalatography   |                        |
| N            | A61B5/395     | 4   | Details of stimulation, e.g. nerve stimulation to elicit EMG response   |                        |
| N            | A61B5/397     | 4   | Analysis of electromyograms   |                        |
| Q            | A61B5/398     | 3   | Electrooculography [EOG], e.g. detecting nystagmus;<br>Electroretinography [ERG]  | A61B5/398, A61B5/297   |
| M            | A61B5/4029    | 2   | {for evaluating the peripheral nervous systems (A61B 5/24 takes precedence)}  |                        |
| M            | A61B5/4064    | 3   | {Evaluating the brain (A61B 5/031, A61B 5/369, A61B 5/14553 take precedence)}   |                        |
| M            | A61B5/4519    | 2   | {Muscles (A61B 5/389, A61B 5/224 take precedence)}  |                        |
| M            | A61B5/486     | 2   | {Bio-feedback (A61B 5/375 takes precedence)}  |                        |
| M            | A61B5/6832    | 4   | {using adhesives (A61B 5/259 takes precedence)}   |                        |
| M            | A61B5/7225    | 2   | {Details of analog processing, e.g. isolation amplifier, gain or sensitivity adjustment, filtering, baseline or drift compensation (A61B 5/30, A61B 5/316 take precedence; transformers for specific applications H01F 38/00; amplifiers H03F)} |                        |
| M            | A61B5/7235    | 2   | {Details of waveform analysis (A61B 5/349 takes precedence)}  |                        |
| M            | A61B5/725     | 3   | {using specific filters therefor, e.g. Kalman or adaptive filters (A61B 5/316 take precedence)}   |                        |
| M            | A61B5/7271    | 2   | {Specific aspects of physiological measurement analysis (A61B 5/316, A61B 5/349 and A61B 5/374 take precedence)}  |                        |
| M            | A61B5/7278    | 3   | {Artificial waveform generation or derivation, e.g. synthesising signals from measured signals (A61B 5/327 takes precedence)}   |                        |
| M            | A61B5/7282    | 3   | {Event detection, e.g. detecting unique waveforms indicative of a medical condition (A61B 5/4094, A61B 5/4818, A61B 5/349, A61B 5/0823 take precedence)}  |                        |

## CPC NOTICE OF CHANGES 968

DATE: JANUARY 1, 2021

PROJECT RP0697

| <b>Type*</b> | <b>Symbol</b> | <b>Indent Level<br/>Number of<br/>dots (e.g.<br/>0, 1, 2)</b> | <b>Title<br/>“CPC only” text should normally be<br/>enclosed in {curly brackets}**</b>                      | <b>Transferred to#</b> |
|--------------|---------------|---|---|------------------------|
| M            | A61B5/742     | 2   | {using visual displays (A61B 5/339 takes precedence)}   |                        |
| M            | A61B7/023     | 2   | {for introduction into the body, e.g. into the oesophagus (oesophageal ECG probes A61B 5/285)}              |                        |
| M            | A61B2562/0209 | 2   | Special features of electrodes classified in A61B5/24, A61B5/25, A61B5/283, A61B5/291, A61B5/296, A61B5/053 |                        |

\*N = new entries where reclassification into entries is involved; C = entries with modified file scope where reclassification of documents from the entries is involved; Q = new entries which are firstly populated with documents via administrative transfers from deleted (D) entries. Afterwards, the transferred documents into the Q entry will either stay or be moved to more appropriate entries, as determined by intellectual reclassification; T= existing entries with enlarged file scope, which receive documents from C or D entries, e.g. when a limiting reference is removed from the entry title; M = entries with no change to the file scope (no reclassification); D = deleted entries; F = frozen entries will be deleted once reclassification of documents from the entries is completed; U = entries that are unchanged.

## NOTES:

- \*\*No {curly brackets} are used for titles in CPC only subclasses, e.g. C12Y, A23Y; 2000 series symbol titles of groups found at the end of schemes (orthogonal codes); or the Y section titles. The {curly brackets} are used for 2000 series symbol titles found interspersed throughout the main trunk schemes (breakdown codes).
- U groups: it is obligatory to display the required “anchor” symbol (U group), i.e. the entry immediately preceding a new group or an array of new groups to be created (in case new groups are not clearly subgroups of C-type groups). Always include the symbol, indent level and title of the U group in the table above.
- All entry types should be included in the scheme changes table above for better understanding of the overall scheme change picture. Symbol, indent level, and title are required for all types.
- “Transferred to” column must be completed for all C, D, F, and Q type entries. F groups will be deleted once reclassification is completed.
- When multiple symbols are included in the “Transferred to” column, avoid using ranges of symbols in order to be as precise as possible.
- For administrative transfer of documents, the following text should be used: “< administrative transfer to XX>”, “<administrative transfer to XX and YY simultaneously>”, or “<administrative transfer to XX, YY ...and ZZ simultaneously>” when administrative transfer of the same documents is to more than one place.
- Administrative transfer to main trunk groups is assumed to be the source allocation type, unless otherwise indicated.
- Administrative transfer to 2000/Y series groups is assumed to be “additional information”.
- If needed, instructions for allocation type should be indicated within the angle brackets using the abbreviations “ADD” or “INV”: <administrative transfer to XX ADD>, <administrative transfer to XX INV>, or < administrative transfer to XX ADD, YY INV, ... and ZZ ADD simultaneously>.
- In certain situations, the “D” entries of 2000-series or Y-series groups may not require a destination (“Transferred to”) symbol, however it is required to specify “<no transfer>” in the “Transferred to” column for such cases.
- For finalisation projects, the deleted “F” symbols should have <no transfer> in the “Transferred to” column.
- For more details about the types of scheme change, see CPC Guide.

## CPC NOTICE OF CHANGES 968

DATE: JANUARY 1, 2021

PROJECT RP0697

B. New, Modified or Deleted Warning(s)

**SUBCLASS A61B – DIAGNOSIS; SURGERY; IDENTIFICATION (analysing biological material G01N, e.g. G01N 33/48; obtaining records using waves other than optical waves, in general G03B 42/00)**

| <u>Type*</u> | <u>Location</u> | <u>Old Warning</u>  | <u>New/Modified Warning</u>  |
|--------------|-----------------|---|--|
| N            | A61B 5/0295     |   | Group A61B 5/0295 is incomplete pending reclassification of documents from group A61B 5/0535. Groups A61B 5/0535 and A61B 5/0295 should be considered in order to perform a complete search. |
| D            | A61B 5/0488     | Group A61B 5/0488 is incomplete pending reclassification of documents from group A61B 5/04888. Groups A61B 5/0488 and A61B 5/04888 should be considered in order to perform a complete search.  | <u>Delete</u> the entire warning.  |
| D            | A61B 5/04888    | Group A61B 5/04888 is no longer used for the classification of documents as of January 1, 2019. The content of this groups is being reclassified into groups A61B 5/0488, A61B 5/4851, A61F 2002/482 and A61F 2/72. All groups listed in this Warning should be considered in order to perform a complete search. | <u>Delete</u> the entire warning.  |
| N            | A61B 5/0535     |   | Group A61B 5/0535 is impacted by reclassification into group A61B 5/0295. Groups A61B 5/0535 and A61B 5/0295 should be considered in order to perform a complete search.                     |
| N            | A61B 5/242      |   | Group A61B 5/242 is impacted by reclassification into group A61B 5/248. Groups A61B 5/242 and A61B 5/248 should be considered in order to perform a complete search.                         |
| N            | A61B 5/248      |   | Group A61B 5/248 is incomplete pending reclassification of documents from group A61B 5/242. Groups A61B 5/242 and A61B 5/248 should be considered in order to perform a complete search.     |

CPC NOTICE OF CHANGES 968

DATE: JANUARY 1, 2021

PROJECT RP0697

| <b>Type*</b> | <b>Location</b> | <b>Old Warning</b> | <b>New/Modified Warning</b>  |
|--------------|-----------------|--------------------|--|
| N            | A61B 5/25       |                    | Group A61B 5/25 is impacted by reclassification into groups A61B 5/251, A61B 5/254, A61B 5/256, A61B 5/257, A61B 5/26, A61B 5/262, A61B 5/263, A61B 5/265, A61B 5/266, A61B 5/268, A61B 5/27, A61B 5/271, A61B 5/273, A61B 5/274, A61B 5/276, A61B 5/277, A61B 5/279, A61B 5/28, A61B 5/29, A61B 5/293, A61B 5/294 and A61B 5/297. All groups listed in this Warning should be considered in order to perform a complete search. |
| N            | A61B 5/251      |                    | Groups A61B 5/251, A61B 5/254, A61B 5/256 and A61B 5/257 are incomplete pending reclassification of documents from group A61B 5/25. All groups listed in this Warning should be considered in order to perform a complete search.  |
| N            | A61B 5/26       |                    | Group A61B 5/26 is incomplete pending reclassification of documents from group A61B 5/25. Groups A61B 5/25 and A61B 5/26 should be considered in order to perform a complete search.   |
| N            | A61B 5/262      |                    | Group A61B 5/262 is incomplete pending reclassification of documents from group A61B 5/25. Groups A61B 5/25 and A61B 5/262 should be considered in order to perform a complete search.   |
| N            | A61B 5/263      |                    | Groups A61B 5/263-A61B 5/27 are incomplete pending reclassification of documents from group A61B 5/25. All groups listed in this Warning should be considered in order to perform a complete search.   |
| N            | A61B 5/271      |                    | Groups A61B 5/271-A61B 5/274 are incomplete pending reclassification of documents from group A61B 5/25. All groups listed in this Warning should be considered in order to perform a complete search.  |
| N            | A61B 5/276      |                    | Group A61B 5/276 is incomplete pending reclassification of documents from group A61B 5/25. Groups A61B 5/25 and A61B 5/276 should be considered in order to perform a complete search.   |
| N            | A61B 5/277      |                    | Group A61B 5/277 is incomplete pending reclassification of documents from group A61B 5/25. Groups A61B 5/25 and A61B 5/277 should be considered in order to perform a complete search.   |



CPC NOTICE OF CHANGES 968

DATE: JANUARY 1, 2021

PROJECT RP0697

| <b>Type*</b> | <b>Location</b> | <b>Old Warning</b> | <b>New/Modified Warning</b>   |
|--------------|-----------------|--------------------|---|
| N            | A61B 5/279      |                    | Groups A61B 5/279, A61B 5/28, A61B5/29, A61B 5/293 and A61B 5/294 are incomplete pending reclassification of documents from group A61B 5/25. All groups listed in this Warning should be considered in order to perform a complete search.      |
| N            | A61B 5/283      |                    | Group A61B 5/283 is impacted by reclassification into groups A61B 5/29 and A61B 5/293. Groups A61B 5/283, A61B 5/29 and A61B 5/293 should be considered in order to perform a complete search.  |
| N            | A61B 5/29       |                    | Group A61B 5/29 is incomplete pending reclassification of documents from groups A61B 5/25 and A61B 5/283. Groups A61B 5/25, A61B 5/283 and A61B 5/29 should be considered in order to perform a complete search.                                |
| N            | A61B 5/293      |                    | Group A61B 5/293 is incomplete pending reclassification of documents from groups A61B 5/25 and A61B 5/283. Groups A61B 5/25, A61B 5/283 and A61B 5/293 should be considered in order to perform a complete search.                              |
| N            | A61B5/294       |                    | Group A61B 5/294 is incomplete pending reclassification of documents from groups A61B 5/25. Groups A61B 5/25 and A61B 5/294 should be considered in order to perform a complete search.   |
| N            | A61B 5/297      |                    | Group A61B 5/297 is incomplete pending reclassification of documents from groups A61B 5/25 and A61B 5/398. Groups A61B 5/25, A61B 5/398 and A61B 5/297 should be considered in order to perform a complete search.                              |
| N            | A61B 5/30       |                    | Group A61B 5/30 is impacted by reclassification into groups A61B 5/305, A61B 5/307, A61B 5/308, A61B 5/31, A61B 5/311, A61B 5/313 and A61B 5/315. All groups listed in this Warning should be considered in order to perform a complete search. |
| N            | A61B 5/305      |                    | Group A61B 5/305 is incomplete pending reclassification of documents from group A61B 5/30. Groups A61B 5/30 and A61B 5/305 should be considered in order to perform a complete search.  |
| N            | A61B 5/307      |                    | Groups A61B 5/307-A61B 5/315 are incomplete pending reclassification of documents from group A61B 5/30. All groups listed in this Warning should be considered in order to perform a complete search.   |

CPC NOTICE OF CHANGES 968

DATE: JANUARY 1, 2021

PROJECT RP0697

| <b>Type*</b> | <b>Location</b> | <b>Old Warning</b> | <b>New/Modified Warning</b>   |
|--------------|-----------------|--------------------|---|
| N            | A61B 5/316      |                    | Group A61B 5/316 is impacted by reclassification into groups A61B 5/321, A61B 5/329, A61B 5/33, A61B 5/338, A61B 5/343, A61B 5/346, A61B 5/347, A61B 5/353, A61B 5/355, A61B 5/357, A61B 5/358, A61B 5/36, A61B 5/367, A61B 5/388, A61B 5/395 and A61B 5/397. All groups listed in this Warning should be considered in order to perform a complete search. |
| N            | A61B 5/321      |                    | Group A61B 5/321 is incomplete pending reclassification of documents from group A61B 5/316. Groups A61B 5/316 and A61B 5/321 should be considered in order to perform a complete search.  |
| N            | A61B 5/329      |                    | Group A61B 5/329 is incomplete pending reclassification of documents from group A61B 5/316. Groups A61B 5/316 and A61B 5/329 should be considered in order to perform a complete search.  |
| N            | A61B 5/33       |                    | Group A61B 5/33 is incomplete pending reclassification of documents from group A61B 5/316. Groups A61B 5/316 and A61B 5/33 should be considered in order to perform a complete search.  |
| N            | A61B 5/338      |                    | Group A61B 5/338 is incomplete pending reclassification of documents from group A61B 5/316. Groups A61B 5/316 and A61B 5/338 should be considered in order to perform a complete search.  |
| N            | A61B 5/343      |                    | Group A61B 5/343 is incomplete pending reclassification of documents from group A61B 5/316. Groups A61B 5/316 and A61B 5/343 should be considered in order to perform a complete search.  |
| N            | A61B 5/346      |                    | Groups A61B 5/346, A61B 5/347, A61B 5/353, A61B 5/355, A61B 5/357, A61B 5/358 and A61B 5/36 are incomplete pending reclassification of documents from group A61B 5/316. All groups listed in this Warning should be considered in order to perform a complete search.   |
| N            | A61B 5/367      |                    | Group A61B 5/367 is incomplete pending reclassification of documents from group A61B 5/316. Groups A61B 5/316 and A61B 5/367 should be considered in order to perform a complete search.  |
| N            | A61B 5/369      |                    | Group A61B 5/369 is impacted by reclassification into groups A61B 5/37, A61B 5/372, A61B 5/384 and A61B 5/386. All groups listed in this Warning should be considered in order to perform a complete search.  |

CPC NOTICE OF CHANGES 968

DATE: JANUARY 1, 2021

PROJECT RP0697

| <b>Type*</b> | <b>Location</b> | <b>Old Warning</b> | <b>New/Modified Warning</b>  |
|--------------|-----------------|--------------------|--|
| N            | A61B 5/37       |                    | Group A61B 5/37 is incomplete pending reclassification of documents from group A61B 5/369. Groups A61B 5/369 and A61B 5/37 should be considered in order to perform a complete search.   |
| N            | A61B 5/372      |                    | Group A61B 5/372 is incomplete pending reclassification of documents from group A61B 5/369. Groups A61B 5/369 and A61B 5/372 should be considered in order to perform a complete search. |
| N            | A61B 5/377      |                    | Group A61B 5/377 is impacted by reclassification into group A61B 5/383. Groups A61B 5/377 and A61B 5/383 should be considered in order to perform a complete search.                     |
| N            | A61B 5/383      |                    | Group A61B 5/383 is incomplete pending reclassification of documents from group A61B 5/377. Groups A61B 5/377 and A61B 5/383 should be considered in order to perform a complete search. |
| N            | A61B 5/384      |                    | Group A61B 5/384 is incomplete pending reclassification of documents from group A61B 5/369. Groups A61B 5/369 and A61B 5/384 should be considered in order to perform a complete search. |
| N            | A61B 5/386      |                    | Group A61B 5/386 is incomplete pending reclassification of documents from group A61B 5/369. Groups A61B 5/369 and A61B 5/386 should be considered in order to perform a complete search. |
| N            | A61B 5/388      |                    | Group A61B 5/388 is incomplete pending reclassification of documents from group A61B 5/316. Groups A61B 5/316 and A61B 5/388 should be considered in order to perform a complete search. |
| N            | A61B 5/395      |                    | Group A61B 5/395 is incomplete pending reclassification of documents from group A61B 5/316. Groups A61B 5/316 and A61B 5/395 should be considered in order to perform a complete search. |
| N            | A61B 5/397      |                    | Group A61B 5/397 is incomplete pending reclassification of documents from group A61B 5/316. Groups A61B 5/316 and A61B 5/397 should be considered in order to perform a complete search. |
| N            | A61B 5/398      |                    | Group A61B 5/398 is impacted by reclassification into group A61B 5/297. Groups A61B 5/398 and A61B 5/297 should be considered in order to perform a complete search.                     |

## CPC NOTICE OF CHANGES 968

DATE: JANUARY 1, 2021

PROJECT RP0697

| <u>Type*</u> | <u>Location</u> | <u>Old Warning</u>  | <u>New/Modified Warning</u>       |
|--------------|-----------------|---|-----------------------------------|
| D            | A61B5/4851      | <u>WARNING</u><br>Group A61B 5/4851 is incomplete pending reclassification of documents from group A61B 5/04888.<br>Groups A61B 5/4851 and A61B 5/04888 should be considered in order to perform a complete search. | <u>Delete the entire warning.</u> |

**SUBCLASS A61F - FILTERS IMPLANTABLE INTO BLOOD VESSELS; PROSTHESES; DEVICES PROVIDING PATENCY TO, OR PREVENTING COLLAPSING OF, TUBULAR STRUCTURES OF THE BODY, e.g. STENTS; ORTHOPAEDIC, NURSING OR CONTRACEPTIVE DEVICES; FOMENTATION; TREATMENT OR PROTECTION OF EYES OR EARS; BANDAGES, DRESSINGS OR ABSORBENT PADS; FIRST-AID KITS (dental prosthetics A61C)**

| <u>Type*</u> | <u>Location</u> | <u>Old Warning</u>   | <u>New/Modified Warning</u>       |
|--------------|-----------------|--|-----------------------------------|
| D            | A61F 2002/482   | <u>WARNING</u><br>Group A61F 2002/482 is incomplete pending reclassification of documents from group A61B 5/04888. Groups A61B 5/04888 and A61F 2002/482 should be considered in order to perform a complete search. | <u>Delete the entire warning.</u> |
| D            | A61F 2/68       | <u>WARNING</u><br>Group A61F 2/68 is impacted by reclassification into group A61F 2/70. Groups A61F 2/68 and A61F 2/70 should be considered in order to perform a complete search.                                   | <u>Delete the entire warning.</u> |
| D            | A61F 2/70       | <u>WARNING</u><br>Group A61F 2/70 is incomplete pending reclassification of documents from group A61F 2/68. Groups A61F 2/70 and A61F 2/68 should be considered in order to perform a complete search.               | <u>Delete the entire warning.</u> |
| D            | A61F 2/72       | <u>WARNING</u><br>Group A61F 2/72 is incomplete pending reclassification of documents from group A61B 5/04888. Groups A61B 5/04888 and A61F 2/72 should be considered in order to perform a complete search.         | <u>Delete the entire warning.</u> |

\*N = new warning, M = modified warning, D = deleted warning

## NOTES:

- The "Location" column requires the symbol AFTER the guidance heading location. No further directions such as "before" or "after" are required.
- In cases where there may be confusion as to whether a new group falls within the scope of a guidance heading, indicate the guidance heading and whether the group does or does not go with the guidance heading. This can be included in

CPC NOTICE OF CHANGES 968

DATE: JANUARY 1, 2021

PROJECT RP0697

the “Location” column. For example, the guidance heading “Compounds containing carbon together with sulfur, selenium or tellurium with or without hydrogen, halogens, oxygen or nitrogen” encompasses groups C07C 301/00-395/00 only. If a new group C07C 398/00 is proposed and is included in the guidance heading scope, indicate this in the “Location” column as follows: 398/00 to be included under the guidance heading: “Compounds containing carbon together with sulfur, selenium or tellurium with or without hydrogen, halogens, oxygen or nitrogen.”

CPC NOTICE OF CHANGES 968

DATE: JANUARY 1, 2021

PROJECT RP0697

C. New, Modified or Deleted Note(s)

**SUBCLASS A61B – DIAGNOSIS; SURGERY; IDENTIFICATION (analysing biological material G01N, e.g. G01N 33/48; obtaining records using waves other than optical waves, in general G03B 42/00)**

| <u>Type*</u> | <u>Location</u> | <u>Old Note</u> | <u>New/Modified Note</u>   |
|--------------|-----------------|-----------------|--|
| N            | A61B5/00        |                 | <p><u>Insert</u> the following <u>new</u> note.</p> <p>In this group, the following term is used with the meaning indicated:</p> <p>"measuring" <u>covers</u> also detecting or recording.</p> |

\*N = new note, M = modified note, D = deleted note

NOTE: The "Location" column only requires the symbol PRIOR to the location of the note. No further directions such as "before" or "after" are required.

DATE: JANUARY 1, 2021

PROJECT RP0697

## 2. A. DEFINITIONS (new)

Insert the following new definitions.

### A61B5/24

#### Definition statement

*This place covers:*

Apparatus for measuring, detecting or recording bioelectric or biomagnetic signals generated by the body or parts thereof. The measurement does not require application of an electric current or voltage nor application of an electromagnetic or magnetic field. Apparatus for ambulatory or long-term monitoring of bioelectric signals. Apparatus for measuring combined with analysis of bioelectric signals for diagnosis.

#### References

#### Informative references

*Attention is drawn to the following places, which may be of interest for search:*

|  |  |
|--|--|
| Details of electrodes specially adapted for in-vivo measurements, e.g. for impedance measurements  | <a href="#">A61B2562/0209</a>  |
| Medicinal preparations involving or responsive to electricity, magnetism or acoustic waves   | <a href="#">A61K9/0009</a>   |
| Electrodes for electrotherapy implanted or inserted into the body; for stimulating the brain; spinal or peripheral nerve electrodes; nerve electrodes not otherwise provided for | <a href="#">A61N1/0529</a> -<br><a href="#">A61N1/0539</a> ,<br><a href="#">A61N1/0551</a> |
| Controlling electrotherapy using a physiological parameter, e.g. heart potential   | <a href="#">A61N1/365</a>  |
| Electrotherapy combined with monitoring a physiological parameter  | <a href="#">A61N1/3702</a>   |
| Electrically-conducting adhesives  | <a href="#">C09J9/02</a>   |
| Indicating or recording in connection with measuring in general  | <a href="#">G01D</a>   |
| Measuring or recording or electrical currents or voltages in general   | <a href="#">G01R13/00</a>  |
| Recording with possibility of play-back  | <a href="#">G11B</a>   |
| ICT specially adapted for the operation of medical equipment or devices  | <a href="#">G16H40/60</a>  |
| ICT specially adapted for mining of medical data, e.g. analysing previous cases of other patients  | <a href="#">G16H50/70</a>  |

DATE: JANUARY 1, 2021

PROJECT RP0697

|  |                           |
|--|---------------------------|
| Emergency protective circuit arrangements                  | <a href="#">H02H</a>      |
| Amplifiers   | <a href="#">H03F</a>      |
| Interference or noise suppression in transmissions systems | <a href="#">H04B15/00</a> |

### Special rules of classification

Apparatus for detecting, measuring or recording neuroelectric signals combined with stimulation of neural tissue is classified in A61B 5/24 and the respective A61N subgroup.

### A61B5/242

#### Definition statement

*This place covers:*

Apparatus and methods for detecting electromagnetic fields generated by the body or biomagnetic signals.

#### References

##### Informative references

*Attention is drawn to the following places, which may be of interest for search:*

|   |                           |
|---|---------------------------|
| Measuring magnetic variables in general | <a href="#">G01R33/00</a> |
|---|---------------------------|

### A61B5/25

#### Definition statement

*This place covers:*

Constructional details of electrodes

#### References

##### Informative references

*Attention is drawn to the following places, which may be of interest for search:*

|  |  |
|--|--|
| Electrodes for bioimpedance measurements                         | <a href="#">A61B5/053</a> -<br><a href="#">A61B5/0537</a> ,<br><a href="#">A61B2562/0209</a> |
| Probe or electrodes for electrosurgery                           | <a href="#">A61B18/14</a>  |
| Manufacturing methods specially adapted for producing electrodes | <a href="#">A61B2562/125</a>   |



DATE: JANUARY 1, 2021

PROJECT RP0697

|  |                                       |
|--|---------------------------------------|
| Electrodes for stimulation in electrotherapy | <a href="#">A61N1/04 - A61N1/0597</a> |
|--|---------------------------------------|

### Special rules of classification

Where the electrode(s) is(are) adapted for both measuring and applying therapy classification in this group and the corresponding therapy or electrosurgical group takes place.

### A61B5/252

#### References

##### *Informative references*

*Attention is drawn to the following places, which may be of interest for search:*

|   |                           |
|---|---------------------------|
| Means for maintaining contact with the body by using a vacuum | <a href="#">A61B5/683</a> |
|---|---------------------------|

### A61B5/259

#### Definition statement

*This place covers:*

Conductive adhesive or gels for improving the electrical contact between the electrode and the skin or body surface

#### References

##### *Informative references*

*Attention is drawn to the following places, which may be of interest for search:*

|  |                          |
|--|--------------------------|
| Adhesives characterised by being electroconductive | <a href="#">C09J9/02</a> |
|--|--------------------------|

### A61B5/276

#### Definition statement

*This place covers:*

Apparatus for detecting electrode failure or electrode disconnection from patient. Also called lead failure.

DATE: JANUARY 1, 2021

PROJECT RP0697

**References*****Informative references****Attention is drawn to the following places, which may be of interest for search:*

|   |                            |
|---|----------------------------|
| Monitoring or maintaining sensor contact pressure | <a href="#">A61B5/6843</a> |
|---|----------------------------|

**A61B5/282****Definition statement***This place covers:*

Arrangements of multiple ECG electrodes mounted on a single substrate, e.g. a flexible strap. Arrangements of multiple electrodes joined by a cable. Arrangements of multiple ECG electrodes mounted or fixed on an item of clothing, e.g. vest.

**References*****Limiting references****This place does not cover:*

|                                |                            |
|--------------------------------|----------------------------|
| For introduction into the body | <a href="#">A61B 5/287</a> |
|--------------------------------|----------------------------|

***Informative references****Attention is drawn to the following places, which may be of interest for search:*

|   |                           |
|---|---------------------------|
| Patient cord assembly, e.g. cable harness | <a href="#">A61B5/303</a> |
|---|---------------------------|

**A61B5/283****Definition statement***This place covers:*

Details of ECG electrodes specially adapted to be introduced into the body. All types of apparatus, e.g. catheters, guidewires, probes or implanted devices for introducing ECG electrodes into the body. Electrodes for epicardial or endocardial measurements of ECG or electrograms.

DATE: JANUARY 1, 2021

PROJECT RP0697

**References*****Informative references****Attention is drawn to the following places, which may be of interest for search:*

|   |  |
|---|--|
| Constructional details of invasive sensing devices  | <a href="#">A61B5/6847</a> -<br><a href="#">A61B5/6866</a> |
| Electrodes for electrotherapy for implantation or insertion into the body, epicardial or endocardial electrodes | <a href="#">A61N1/0587</a> -<br><a href="#">A61N1/0597</a> |

**A61B5/287****Definition statement***This place covers:*

Multiple electrodes on a single holder, e.g. multiple electrodes on a catheter.

**References*****Informative references****Attention is drawn to the following places, which may be of interest for search:*

|                              |                            |
|------------------------------|----------------------------|
| Sensors mounted on catheters | <a href="#">A61B5/6852</a> |
|------------------------------|----------------------------|

**A61B5/288****References*****Informative references****Attention is drawn to the following places, which may be of interest for search:*

|  |  |
|--|--|
| Sensors for measuring characteristics of blood specially adapted for foetal tissue | <a href="#">A61B5/1464</a> ,<br><a href="#">A61B5/1482</a> |
| Anchoring means for maintaining sensor contact with the body, e.g. barbs           | <a href="#">A61B5/6839</a>                                 |

DATE: JANUARY 1, 2021

PROJECT RP0697

**A61B5/30****Definition statement***This place covers:*

Input circuits specially adapted for EEG, ECG or EMG signals, e.g. for filtering, amplification, switching.

**A61B5/301****Definition statement***This place covers:*

Means for the electrical isolation of the patient side electrodes from the mains power supply, e.g. using an isolation transformer or optocoupler.

**References****Informative references***Attention is drawn to the following places, which may be of interest for search:*

|  |                           |
|--|---------------------------|
| Coupling light guides with opto-electronic elements                | <a href="#">G02B6/42</a>  |
| Adaptations of transformers for specific applications of functions | <a href="#">H01F38/00</a> |
| Amplifiers using electroluminescent element or photocell           | <a href="#">H03F17/00</a> |

**A61B5/303****References****Informative references***Attention is drawn to the following places, which may be of interest for search:*

|  |                              |
|--|------------------------------|
| Arrangements of sensors with cables or leads, e.g. cable harnesses | <a href="#">A61B2562/221</a> |
|--|------------------------------|

**A61B5/304****Definition statement***This place covers:*

Apparatus for switching the connection of ECG leads to the monitor or analysis unit, e.g. using a multiplexer.

DATE: JANUARY 1, 2021

PROJECT RP0697

**References****Informative references***Attention is drawn to the following places, which may be of interest for search:*

|   |                              |
|---|------------------------------|
| Modular apparatus with a separable interface unit, e.g. for transmission or switching signals | <a href="#">A61B2560/045</a> |
|---|------------------------------|

**A61B5/316****References****Informative references***Attention is drawn to the following places, which may be of interest for search:*

|   |                           |
|---|---------------------------|
| Evaluating the central nervous system for particular diseases | <a href="#">A61B5/40</a>  |
| Evaluating the musculoskeletal system                         | <a href="#">A61B5/45</a>  |
| Arrangements for analysing frequency spectra in general       | <a href="#">G01R23/00</a> |

**A61B5/318****Definition statement***This place covers:*

Apparatus for detecting, measuring or recording ECG signals on the surface of the body. Apparatus for detecting, measuring or recording electrograms from the heart surface or from within the heart. Apparatus for long-term or ambulatory monitoring of ECG. Apparatus for measuring ECG combined with analysis of the ECG to obtain a diagnosis.

**References****Informative references***Attention is drawn to the following places, which may be of interest for search:*

|   |                            |
|---|----------------------------|
| Remote monitoring of patient with the measured ECG signals being transmitted from the patient to a remote monitor or site | <a href="#">A61B5/0006</a> |
| Controlling electrotherapy using a physiological parameter, e.g. heart potential  | <a href="#">A61N1/365</a>  |

DATE: JANUARY 1, 2021

PROJECT RP0697

**A61B5/332****Definition statement***This place covers:*

Hand-held or portable apparatus for detecting, measuring or recording.

**References****Informative references***Attention is drawn to the following places, which may be of interest for search:*

|   |                               |
|---|-------------------------------|
| Hand-held or portable apparatus for detecting, measuring or recording | <a href="#">A61B2560/0468</a> |
|---|-------------------------------|

**A61B5/333****Definition statement***This place covers:*

Recording apparatus specially adapted for long-term or ambulatory recording of ECG, e.g. 24 hour recording, Holter monitors.

**References****Informative references***Attention is drawn to the following places, which may be of interest for search:*

|                           |                          |
|---------------------------|--------------------------|
| Recording measured values | <a href="#">G01D9/00</a> |
|---------------------------|--------------------------|

**A61B5/335****Definition statement***This place covers:*

Integrated circuit memory devices may be built into the device or may comprise removable memory chips, e.g. flash memory stick.

**References****Informative references***Attention is drawn to the following places, which may be of interest for search:*

|                          |                           |
|--------------------------|---------------------------|
| Solid state data loggers | <a href="#">G01D9/005</a> |
|--------------------------|---------------------------|

DATE: JANUARY 1, 2021

PROJECT RP0697

**A61B5/339****References****Informative references**

*Attention is drawn to the following places, which may be of interest for search:*

|   |                           |
|---|---------------------------|
| Arrangements for displaying electric variables or waveforms, e.g. cathode-ray oscilloscopes | <a href="#">G01R13/00</a> |
| Output arrangements for digital computers, output to a display device                       | <a href="#">G06F3/14</a>  |

**A61B5/349****Definition statement**

*This place covers:*

Apparatus for detecting, measuring or recording ECG in combination with analysis of specific parameters of the electrocardiograph cycle in order to determine a diagnosis, e.g. analysis of ST segment elevation for determining ischaemia. Includes analysis of epicardial or endocardial electrograms for diagnosis.

**References****Informative references**

*Attention is drawn to the following places, which may be of interest for search:*

|   |                           |
|---|---------------------------|
| Controlling electrotherapy by using a physiological parameter, e.g. heart potential | <a href="#">A61N1/365</a> |
| Methods or arrangements for recognising patterns in general                         | <a href="#">G06K9/00</a>  |

**A61B5/352****References****Informative references**

*Attention is drawn to the following places, which may be of interest for search:*

|  |                             |
|--|-----------------------------|
| Physiological signal analysis for synchronising or triggering a measurement or image acquisition | <a href="#">A61B 5/7285</a> |
| Circuit arrangements for obtaining a series of X-ray photographs                                 | <a href="#">H05G1/60</a>    |

DATE: JANUARY 1, 2021

PROJECT RP0697

**A61B5/363****References****Informative references***Attention is drawn to the following places, which may be of interest for search:*

|   |                             |
|---|-----------------------------|
| Devices provided with high/low alarm device | <a href="#">A61B5/02455</a> |
|---|-----------------------------|

**A61B5/369****Definition statement***This place covers:*

Apparatus for detecting, measuring or recording electroencephalographic signals (EEG) for diagnosis. Apparatus for measuring combined with analysis of signals for determining a diagnosis, e.g. for determining a seizure.

**References****Limiting references***This place does not cover:*

|  |                          |
|--|--------------------------|
| Devices for psychotechnics, e.g. for determining the psychological state | <a href="#">A61B5/16</a> |
|--|--------------------------|

**Informative references***Attention is drawn to the following places, which may be of interest for search:*

|  |                             |
|--|-----------------------------|
| Evaluating the central nervous system  | <a href="#">A61B5/4076</a>  |
| Devices or methods to cause a change in the state of consciousness   | <a href="#">A61M21/00</a>   |
| Evaluating the central nervous system  | <a href="#">A61M2230/10</a> |
| Measuring EEG of a user of sports apparatus  | <a href="#">A63B2230/10</a> |
| Input arrangements for computers based on nervous system activity, e.g. brain machine interfaces using EEG | <a href="#">G06F3/015</a>   |
| Methods or arrangements for recognising patterns in general  | <a href="#">G06K9/00</a>    |



DATE: JANUARY 1, 2021

PROJECT RP0697

**A61B5/374****References*****Informative references***

*Attention is drawn to the following places, which may be of interest for search:*

|  |                           |
|--|---------------------------|
| Analysing frequency spectra in general | <a href="#">G01R23/00</a> |
|--|---------------------------|

**A61B5/375****References*****Informative references***

*Attention is drawn to the following places, which may be of interest for search:*

|                    |                           |
|--------------------|---------------------------|
| Biofeedback per se | <a href="#">A61B5/486</a> |
|--------------------|---------------------------|

**A61B5/377****Definition statement**

*This place covers:*

Apparatus for detecting, measuring or recording EEG that has been evoked in response to the application of a stimulus.

**A61B5/38****Definition statement**

*This place covers:*

Using a sound, acoustic or audible stimulus to evoke an EEG response.

**References*****Informative references***

*Attention is drawn to the following places, which may be of interest for search:*

|  |                          |
|--|--------------------------|
| Audiometry with electric or electronic apparatus, e.g. using evoked EEG response | <a href="#">A61B5/12</a> |
|--|--------------------------|

DATE: JANUARY 1, 2021

PROJECT RP0697

**A61B5/389****References****Informative references**

*Attention is drawn to the following places, which may be of interest for search:*

|   |                              |
|---|------------------------------|
| Electrical operating or control means of prostheses implantable into the body                     | <a href="#">A61F2002/482</a> |
| Electrical operating or control means of prostheses not implantable in the body, e.g. myoelectric | <a href="#">A61F2/72</a>     |

**A61B5/398****Definition statement**

*This place covers:*

Apparatus for detecting, measuring or recording electro-oculographic signals or electroretinographic signals.

**References****Informative references**

*Attention is drawn to the following places, which may be of interest for search:*

|                                 |                            |
|---------------------------------|----------------------------|
| Measuring or inducing nystagmus | <a href="#">A61B5/4863</a> |
|---------------------------------|----------------------------|

## 2. A. DEFINITIONS (modified)

Modify the following definitions.

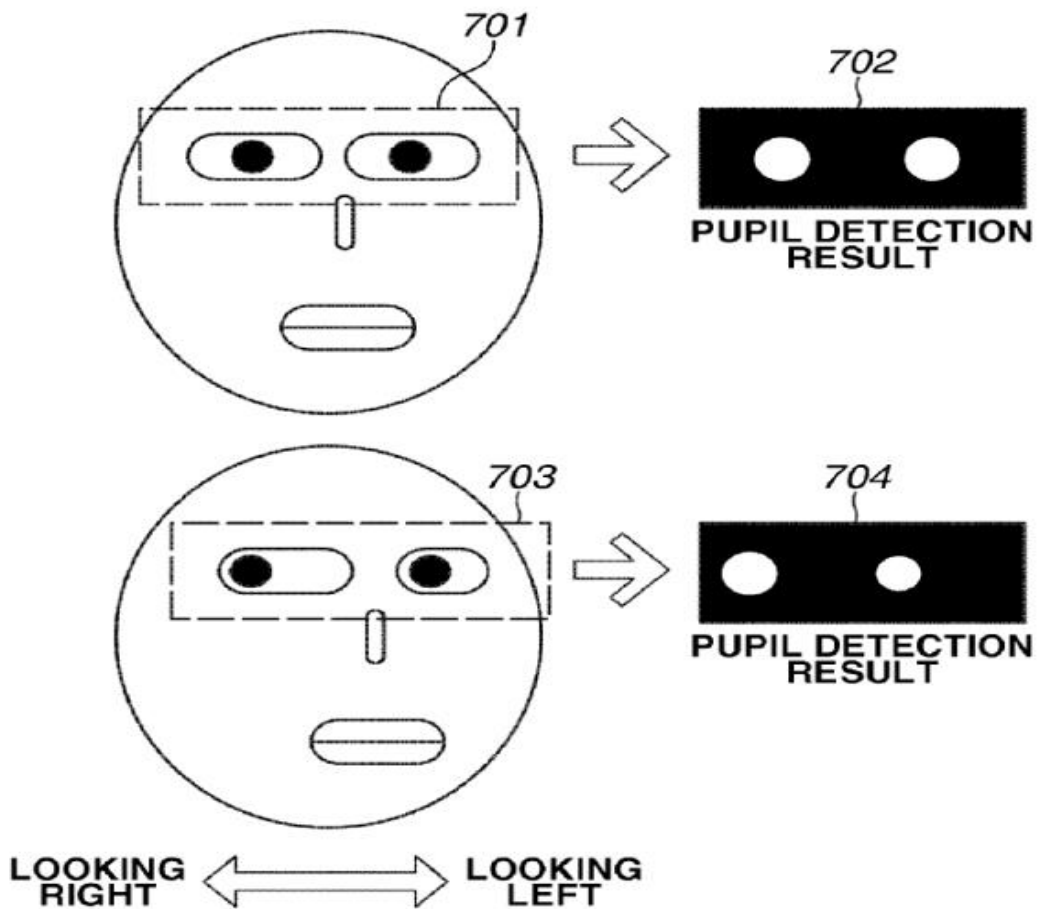
### A61B3/113

#### Definition statement

*This place covers:*

Eye tracking mainly for diagnostic purposes.

Example: Using imagine processing.



DATE: JANUARY 1, 2021

PROJECT RP0697

**Informative references**

Replace: The existing first reference “For measurement of nystagmus A61B 5/4863” with the following updated reference.

|  |   |
|--|---|
| Electrooculography [EOG], e.g. detecting nystagmus | <a href="#">A61B5/398</a> ,<br><a href="#">A61B5/4863</a> |
|--|---|

**A61B5/0245**

**References**

**Limiting references**

Delete: The entire existing “Limiting references” section.

**Informative references**

Replace: The entire “Informative references” table with the following updated table.

|   |                               |
|---|-------------------------------|
| Bioelectric electrodes therefor                               | <a href="#">A61B5/28</a>      |
| Detecting specific parameters of the electrocardiograph cycle | <a href="#">A61B5/349</a>     |
| Apparatus with built-in electrodes                            | <a href="#">A61B2560/0468</a> |

**A61B5/05**

**References**

**Limiting references**

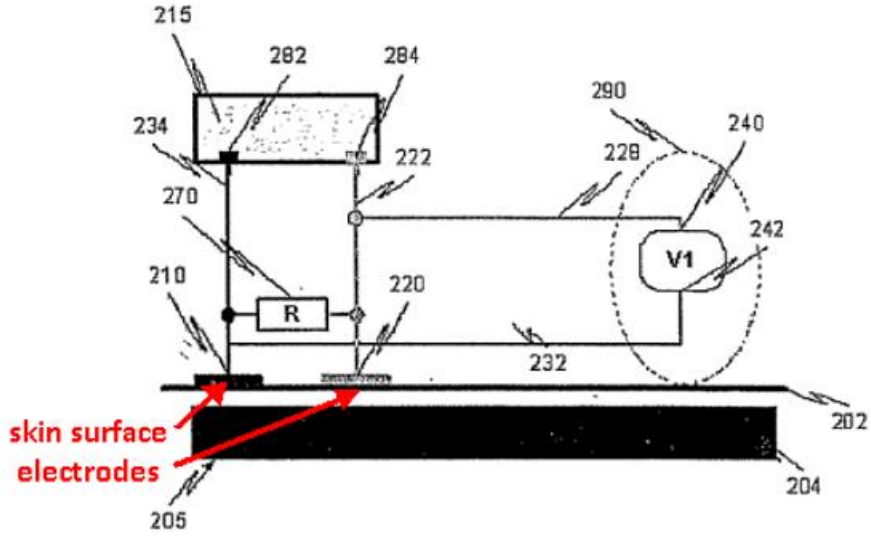
Replace: The entire “Limiting references” table with the following updated table.

|   |                            |
|---|----------------------------|
| Impedance plethysmography   | <a href="#">A61B5/0295</a> |
| Detecting, measuring or recording bioelectric or biomagnetic signals of the body or parts thereof | <a href="#">A61B5/24</a>   |
| Detecting movement of the body  | <a href="#">A61B5/11</a>   |

**A61B5/0531**

**Definition statement**

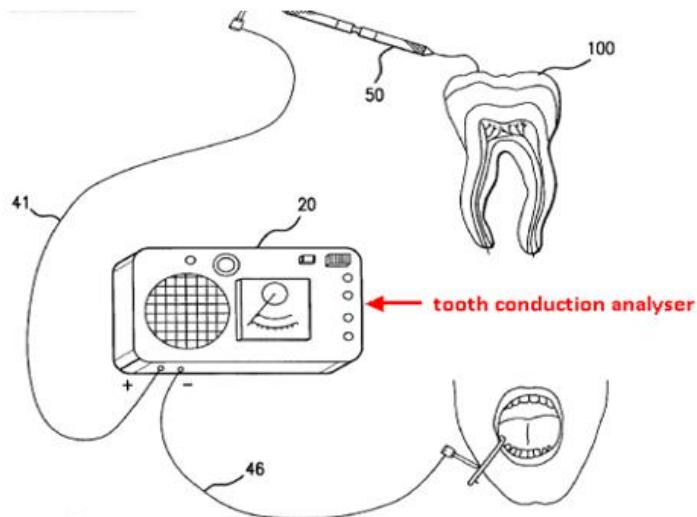
Replace: The existing image with the updated image shown below.



**A61B5/0534**

**Definition statement**

Replace: The existing image with the updated image shown below.



**References**

**Limiting references**

Delete: The entire existing “Limiting references” section.

**Informative references**

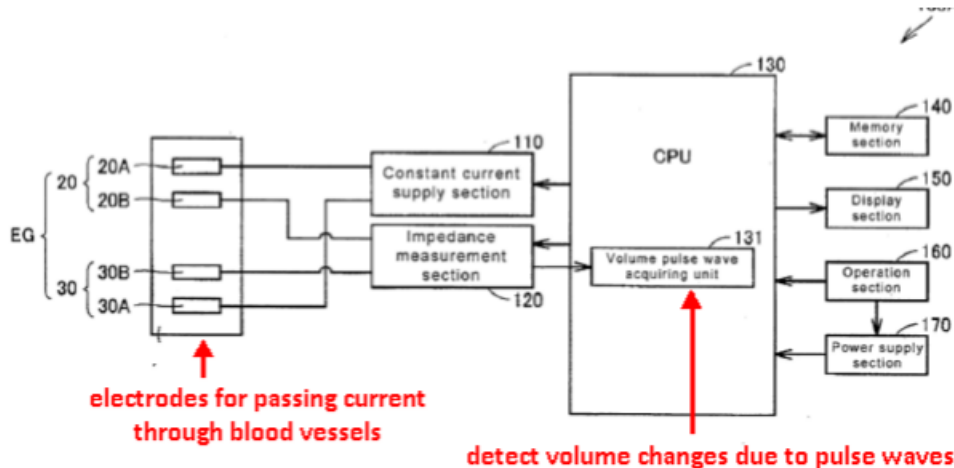
Insert: The following new reference in the existing “Informative references” table.

|                    |          |
|--------------------|----------|
| Dental radiography | A61B6/14 |
|--------------------|----------|

**A61B5/0535**

**Definition statement**

Replace: The existing image with the updated image shown below.



**References**

Insert: The following new “Limiting references” section.

**Limiting references**

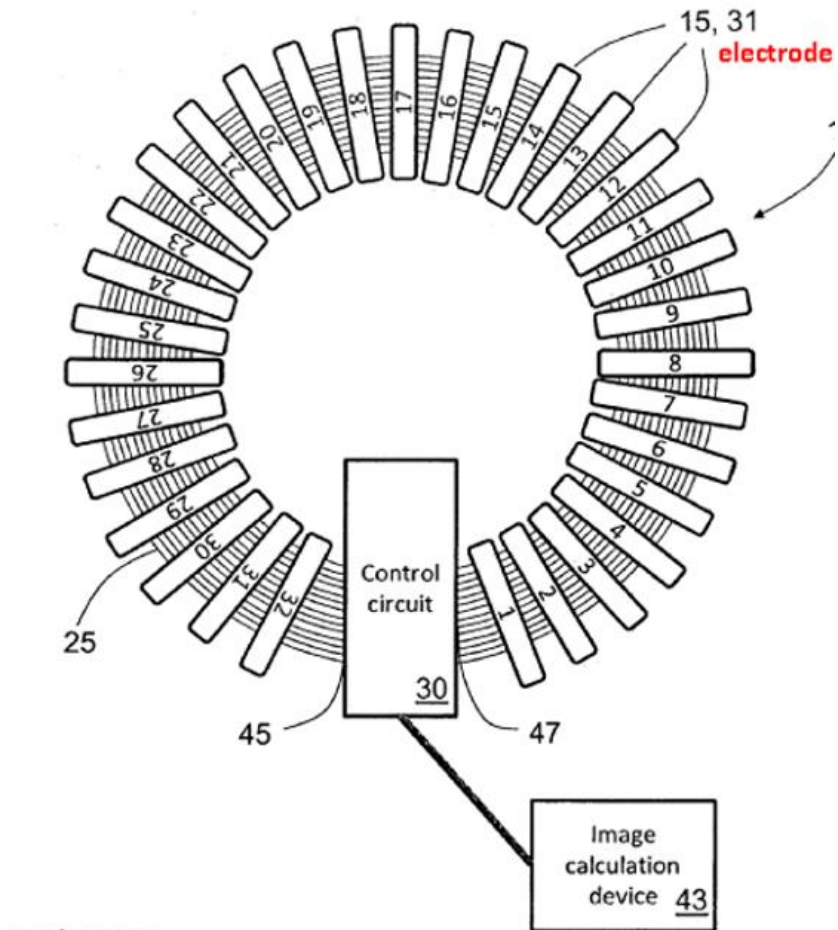
*This place does not cover:*

|  |            |
|--|------------|
| Impedance plethysmography for measuring blood flow | A61B5/0295 |
|--|------------|

**A61B5/0536**

**Definition statement**

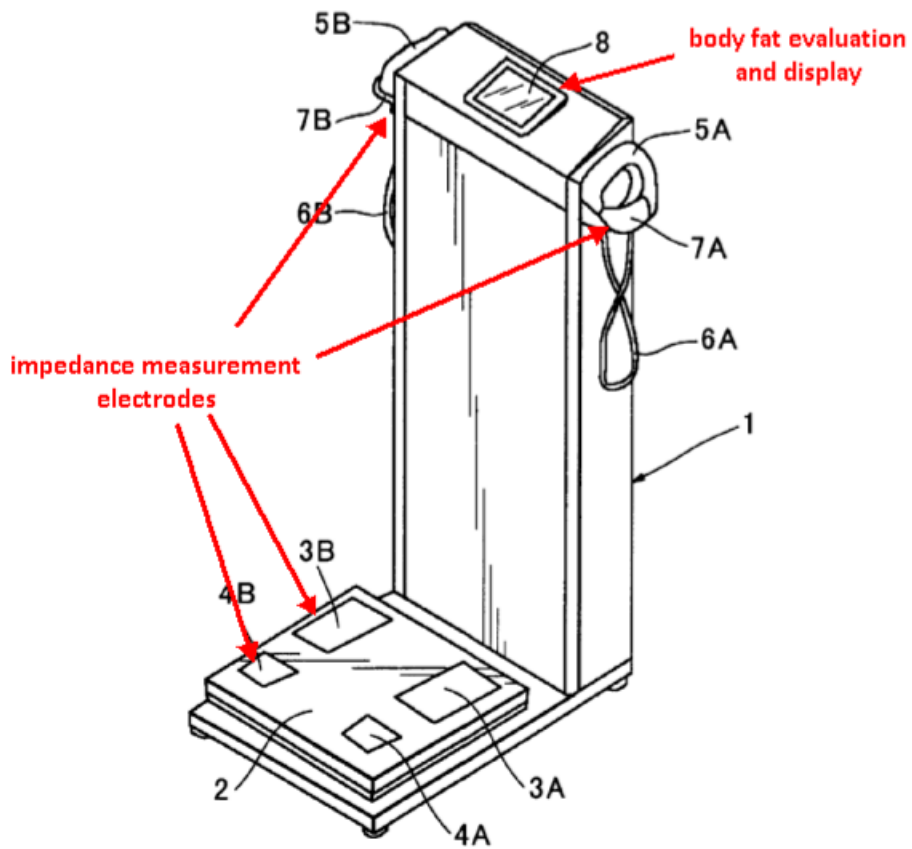
Replace: The existing image with the updated image shown below.



**A61B5/0537**

**Definition statement**

Replace: The existing image with the updated image shown below.



**A61B5/11**

**References**

**Limiting references**

Replace: The entire existing "Limiting references" table, text, then another table with the following updated single table.



## CPC NOTICE OF CHANGES 968

DATE: JANUARY 1, 2021

PROJECT RP0697

|   |                        |
|---|------------------------|
| Detecting, measuring or recording pulse rate or heart rate  | A61B5/02,<br>A61B5/024 |
| Measuring for testing the shape, pattern, size or movement of the body or parts thereof for podologic studies during locomotion | A61B5/1038             |
| Measuring movement for compensation of motion artefacts   | A61B5/721              |

**Informative references**

Replace: The entire existing “Informative references” table with the following updated table.

|  |  |
|--|--|
| Measuring eye movement, e.g. using eye trackers                                    | A61B3/113  |
| Measuring circulation of blood, e.g. blood flow                                    | A61B5/026,<br>A61B6/504,<br>A61B8/06               |
| Plethysmography  | A61B5/0535,<br>A61B5/0806                          |
| Measuring movement of foreign bodies, e.g. tracking of catheters                   | A61B5/06,<br>A61B6/12,<br>A61B8/0833,<br>A61B34/20 |
| Detecting, measuring or recording respiratory frequency                            | A61B5/0816   |
| Testing reaction times   | A61B5/162  |
| Ergometry or measuring muscular strength   | A61B5/22   |
| Bioelectric electrodes for electrooculography [EOG]: for electroretinography [ERG] | A61B5/297  |
| Measuring or inducing nystagmus  | A61B5/4863   |
| Detecting organic movements or changes using ultrasonic, sonic or infrasonic waves | A61B8/08   |

DATE: JANUARY 1, 2021

PROJECT RP0697

|                               |                          |
|-------------------------------|--------------------------|
| Pleximeters                   | A61B9/00                 |
| Measuring movement in general | G01, G01P,<br>G01C, G01B |

**A61B5/12****References****Limiting references**

Delete: The entire existing “Limiting references” section.

**Informative references**

Replace: All of the existing references in the entire “Informative references” table with the following updated references.

|   |                         |
|---|-------------------------|
| Otoscopes   | A61B1/227               |
| Evaluating sense of balance                               | A61B5/4023              |
| Electroencephalography using acoustic or auditory stimuli | A61B5/38                |
| Tinnitus treatment  | A61F11/00,<br>H04R25/75 |
| Testing of hearing device using in-ear measurements       | H04R29/00               |

**A61B5/16****Informative references**

Replace: All of the existing references in the entire “Informative references” table with the following updated references.

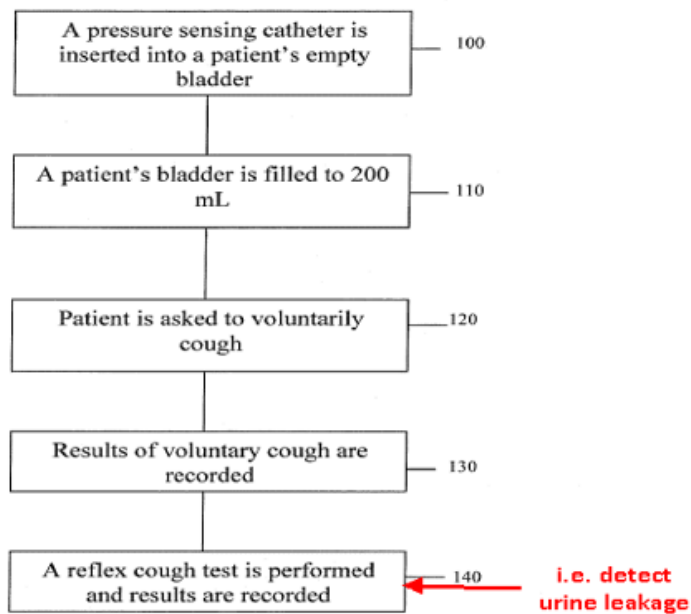
|   |            |
|---|------------|
| Detecting using light   | A61B5/0059 |
| Measuring movement of the body or parts thereof for determining motor skills                      | A61B5/1124 |
| Detecting, measuring or recording bioelectric or biomagnetic signals of the body or parts thereof | A61B5/24   |

|  |                           |
|--|---------------------------|
| Detecting using MRI  | <a href="#">A61B5/055</a> |
| Devices or methods to cause a change in the state of consciousness | <a href="#">A61M21/00</a> |

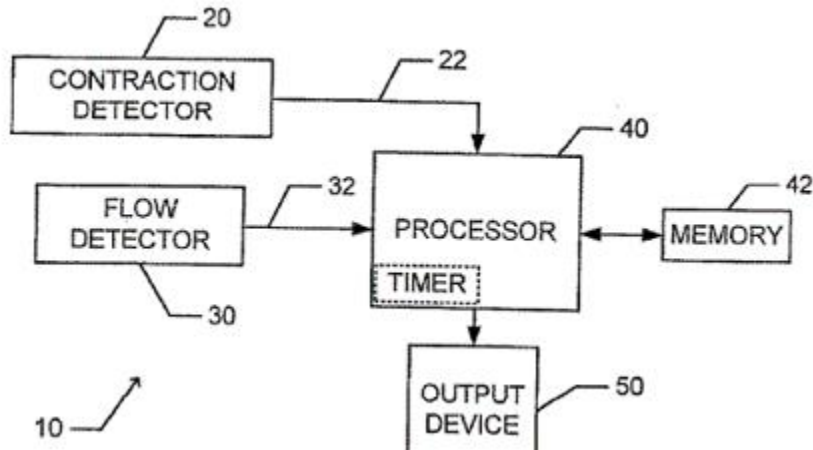
**A61B5/202**

**Definition statement**

Replace: The existing images with the updated images shown below.



Detection of urine flow:



**Limiting references**

Delete: The entire existing “Limiting references” section.

**Informative references**

Insert: The following two new references in the existing “Informative references” table.

|  |                             |
|--|-----------------------------|
| Assessing bladder internal pressure                                | <a href="#">A61B5/205</a>   |
| Electromyography of genito-urinary organ                           | <a href="#">A61B5/391</a>   |
| Electrical stimulation of urinary organs to alleviate incontinence | <a href="#">A61N1/36007</a> |

**A61B5/4058**

**Limiting references**

Delete: The following two references from the existing “Informative references” table.

|           |   |
|-----------|---|
| EEG       | <a href="#">A61B 5/0476</a>                                 |
| Using MRI | <a href="#">G01R 33/4806,</a><br><a href="#">G01N 24/08</a> |

DATE: JANUARY 1, 2021

PROJECT RP0697

Insert: The following new “Informative references” section.

### Informative references

*Attention is drawn to the following places, which may be of interest for search:*

|                              |  |
|------------------------------|--|
| Electroencephalography [EEG] | <a href="#">A61B5/369</a>                                  |
| Using MRI                    | <a href="#">G01R33/4806</a> ,<br><a href="#">G01N24/08</a> |

**A61B5/4064**

### References

#### Limiting references

Replace: All of the references in the existing “Limiting references” table with the following references.

|  |                             |
|--|-----------------------------|
| Intracranial pressure measurements                           | <a href="#">A61B5/031</a>   |
| Using optical sensors, specially adapted for cerebral tissue | <a href="#">A61B5/14553</a> |
| Electroencephalography [EEG]                                 | <a href="#">A61B5/369</a>   |

### Informative references

Insert: The following new “Informative references” section.

### Informative references

*Attention is drawn to the following places, which may be of interest for search:*

|                            |                          |
|----------------------------|--------------------------|
| Devices for psychotechnics | <a href="#">A61B5/16</a> |
|----------------------------|--------------------------|

DATE: JANUARY 1, 2021

PROJECT RP0697

**A61B5/42**

**References**

**Limiting references**

Delete: Only the symbol “A61B 8/12” from the existing reference so the reference reads as shown below.

|                            |                          |
|----------------------------|--------------------------|
| Gastrointestinal endoscopy | <a href="#">A61B1/00</a> |
|----------------------------|--------------------------|

Delete: The following two existing references from the “Limiting references” table.

|   |                              |
|---|------------------------------|
| Catheters for measuring non-vascular pressure | <a href="#">A61B 5/036</a>   |
| EMG in gastro-intestinal tract                | <a href="#">A61B 5/04884</a> |

**Informative references**

Insert: The following new “Informative references” section.

**Informative references**

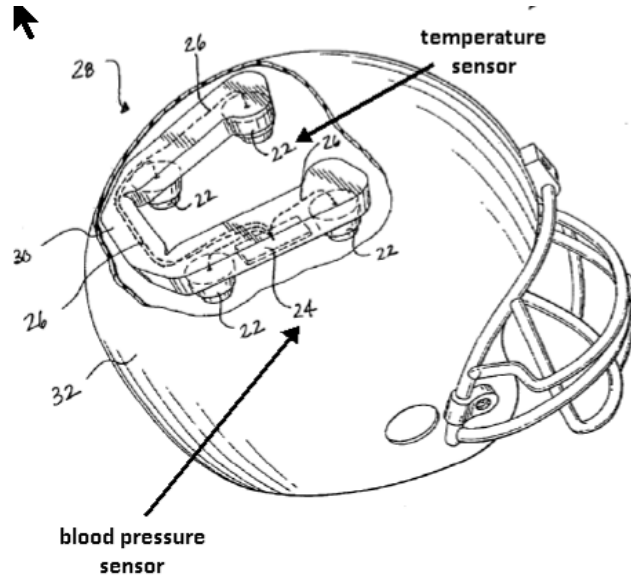
*Attention is drawn to the following places, which may be of interest for search:*

|  |                           |
|--|---------------------------|
| Diagnosis using ultrasonic, sonic or infrasonic waves in body cavities or body tracts, e.g. by using catheters | <a href="#">A61B8/12</a>  |
| Catheters for measuring non-vascular pressure  | <a href="#">A61B5/036</a> |
| Detecting gastrointestinal contractions  | <a href="#">A61B5/392</a> |

**A61B5/6803**

**Definition statement**

Replace: The existing image with the updated image shown below



**References**

**Limiting references**

Replace: In the existing “Limiting references” table the symbol “A61B 5/0448” with the updated symbol shown in the row below.

|                                       |                           |
|---------------------------------------|---------------------------|
| Sensors to be placed on foetus’s head | <a href="#">A61B5/288</a> |
|---------------------------------------|---------------------------|

**A61B5/6814**

**References**

**Limiting references**

Delete: The entire existing “Limiting references” section.

DATE: JANUARY 1, 2021

PROJECT RP0697

### Informative references

Insert: The following new “Informative references” section.

#### Informative references

*Attention is drawn to the following places, which may be of interest for search:*

|  |                            |
|--|----------------------------|
| Sensor attached to the head of a foetus                                  | <a href="#">A61B5/288</a>  |
| Sensors mounted on head-worn items, e.g. helmets, headphones or goggles. | <a href="#">A61B5/6803</a> |

**A61B5/6825**

### Limiting references

Delete: The entire existing “Limiting references” section.

### Informative references

Insert: The following new “Informative references” section.

#### Informative references

*Attention is drawn to the following places, which may be of interest for search:*

|                       |                            |
|-----------------------|----------------------------|
| Portable ECG devices  | <a href="#">A61B5/332</a>  |
| Detecting hand motion | <a href="#">A61B5/1125</a> |
| Detecting hand force  | <a href="#">A61B5/225</a>  |
| Gloves with sensors   | <a href="#">A61B5/6806</a> |

**A61B5/6834**

### References

### Limiting references

Delete: The entire existing “Limiting references” section.



**Informative references**

Insert: The following new “Informative references” section.

**Informative references**

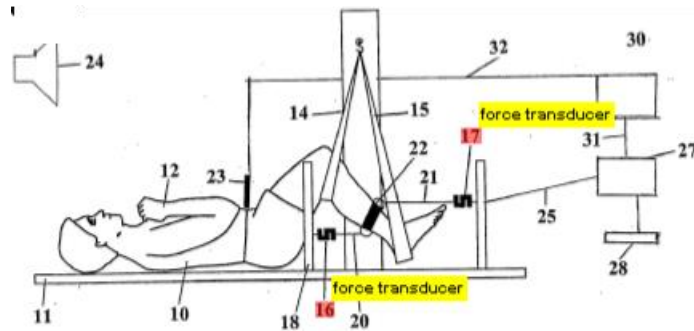
*Attention is drawn to the following places, which may be of interest for search:*

|  |                            |
|--|----------------------------|
| Measurement carried out while applying suction                       | <a href="#">A61B5/0055</a> |
| ECG electrodes, including foetal ECG electrodes, attached by suction | <a href="#">A61B5/252</a>  |

**A61B5/704**

**Definition statement**

Replace: The existing image in the Definition statement section with following updated image.



**References**

**Limiting references**

Delete: The entire existing “Limiting references” section.

**Informative references**

Insert: The following new “Informative references” section.

DATE: JANUARY 1, 2021

PROJECT RP0697

**Informative references**

*Attention is drawn to the following places, which may be of interest for search:*

|  |   |
|--|---|
| Means for positioning patients (MRI, CT) | <a href="#">A61B5/055</a> ,<br><a href="#">A61B6/04</a> |
|--|---|

**A61B6/0407**

**Definition statement**

Delete: From the “Definition statement” section the number located under the existing image.

[US2012023671]

**References**

**Informative references**

Delete: From the existing “Informative references” table the reference shown below.

|   |            |
|---|------------|
| Means for positioning patients in magnetic resonance tomography | A61B5/0555 |
|---|------------|

Insert: The following new reference in the existing “Informative references” table.

|   |                           |
|---|---------------------------|
| Involving electronic [EMR] or nuclear [NMR] magnetic resonance, e.g. magnetic resonance imaging | <a href="#">A61B5/055</a> |
|---|---------------------------|

DATE: JANUARY 1, 2021

PROJECT RP0697

## A61B6/486

### Definition statement

Delete: From the “Definition statement” section the following number located under the existing image.

[DE102010041443]

### Informative references

Replace: The existing reference symbol “A61B 5/0402” with the symbol shown in the row below.

|     |           |
|-----|-----------|
| ECG | A61B5/318 |
|-----|-----------|

### Special rules of classification

Replace: In the “Special rules of classification” section, in the third bulleted statement, the symbol “(A61B 5/0402)” with the following updated symbol.

(A61B5/318)

## A61B6/503

### Definition statement

Delete: The entire “Definition statement” section.

### Informative references

Replace: In the “Informative references” table only the symbol in the reference shown below.

|                     |           |
|---------------------|-----------|
| Electrocardiography | A61B5/318 |
|---------------------|-----------|

DATE: JANUARY 1, 2021

PROJECT RP0697

**A61B6/5288****Informative references**

Replace: In the “Informative references” table, only the symbol in the following reference.

|                    |                           |
|--------------------|---------------------------|
| Electrocardiograms | <a href="#">A61B5/318</a> |
|--------------------|---------------------------|

**Special rules of classification**

Replace: The existing “Special rules of classification” section with the following updated section.

The physiological signal is typically an electrocardiogram (ECG) [A61B5/318](#) or a device to measure the cardiac cycle [A61B5/0803](#).

As an example, a radiation diagnostic device with synchronous acquisition of projection data with a C-arm ([A61B6/4441](#)) and an ECG ([A61B5/318](#)) wherein the projection data is retrospectively associated to a certain cardiac phase ([A61B6/5288](#)) to reconstruct a temporal series of images ([A61B6/486](#)) of the heart ([A61B6/503](#)) in different cardiac phases.

**A61B17/1626****Definition statement**

Delete: From the “Definition statement”, section the following text.

Example (WO03013372):

**Informative references**

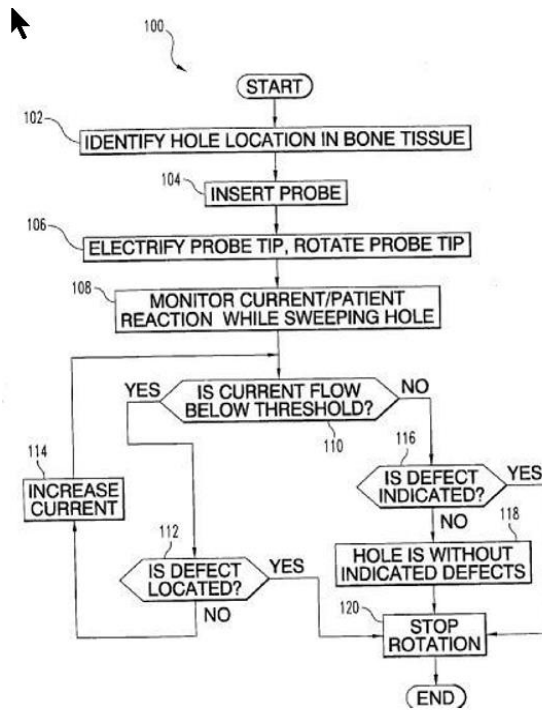
Replace: In the “Informative references” table the existing symbol “[A61B 5/0488](#),” with the updated symbol “[A61B5/389](#)” shown in the references below.

|                                      |  |
|--------------------------------------|--|
| Checking screw impingement on nerves | <a href="#">A61B5/389</a> ,<br><a href="#">A61B17/7092</a> |
|--------------------------------------|--|

**A61B17/7092**

**Definition statement**

Replace: The existing image with the updated image shown below.



**Limiting references**

Insert: The following new “Limiting references” section.

**Limiting references**

*This place does not cover:*

|                              |                              |
|------------------------------|------------------------------|
| Pedicle drill depth limiters | <a href="#">A61B 17/1626</a> |
|------------------------------|------------------------------|

**Informative references**

Replace: In the “Informative references” table the existing symbol “A61B 5/0488” with the updated symbol shown in the reference row below.

|   |                           |
|---|---------------------------|
| Electromyography for checking screw impingement on nerves | <a href="#">A61B5/389</a> |
|---|---------------------------|

CPC NOTICE OF CHANGES 968

DATE: JANUARY 1, 2021

PROJECT RP0697

2. B. DEFINITIONS QUICK FIX

| <u>Symbol</u> | <u>Location of change</u><br>(e.g., section title) | <u>Existing reference symbol or text</u> | <u>Action; New symbol; New text</u>   |
|---------------|--|--|---|
| A61B          | Special rules of classification                    | A61B5/04                                 | Replace in the “Special rules of classification” section the symbol “A61B5/04” with the following updated symbol.<br><br>A61B5/24 |
| A61B5/04      |  |  | Delete the entire definition.   |
| A61B5/04001   |  |  | Delete the entire definition.   |
| A61B5/04004   |  |  | Delete the entire definition.   |
| A61B5/04005   |  |  | Delete the entire definition.   |
| A61B5/04012   |  |  | Delete the entire definition.   |
| A61B5/04014   |  |  | Delete the entire definition.   |
| A61B5/0402    |  |  | Delete the entire definition.   |
| A61B5/0404    |  |  | Delete the entire definition.   |
| A61B5/0408    |  |  | Delete the entire definition.   |
| A61B5/04082   |  |  | Delete the entire definition.   |
| A61B5/04085   |  |  | Delete the entire definition.   |
| A61B5/04087   |  |  | Delete the entire definition.   |
| A61B5/042     |  |  | Delete the entire definition.   |
| A61B5/0422    |  |  | Delete the entire definition.   |
| A61B5/0424    |  |  | Delete the entire definition.   |
| A61B5/04282   |  |  | Delete the entire definition.   |

CPC NOTICE OF CHANGES 968

DATE: JANUARY 1, 2021

PROJECT RP0697

| <u>Symbol</u> | <u>Location of change</u><br>(e.g., section title) | <u>Existing reference symbol or text</u> | <u>Action; New symbol; New text</u>  |
|---------------|--|--|--------------------------------------|
| A61B5/04286   |  |  | <u>Delete</u> the entire definition. |
| A61B5/04288   |  |  | <u>Delete</u> the entire definition. |
| A61B5/0432    |  |  | <u>Delete</u> the entire definition. |
| A61B5/04325   |  |  | <u>Delete</u> the entire definition. |
| A61B5/044     |  |  | <u>Delete</u> the entire definition. |
| A61B5/0448    |  |  | <u>Delete</u> the entire definition. |
| A61B5/04485   |  |  | <u>Delete</u> the entire definition. |
| A61B5/0452    |  |  | <u>Delete</u> the entire definition. |
| A61B5/0456    |  |  | <u>Delete</u> the entire definition. |
| A61B5/0464    |  |  | <u>Delete</u> the entire definition. |
| A61B5/0476    |  |  | <u>Delete</u> the entire definition. |
| A61B5/0478    |  |  | <u>Delete</u> the entire definition. |
| A61B5/048     |  |  | <u>Delete</u> the entire definition. |
| A61B5/0482    |  |  | <u>Delete</u> the entire definition. |
| A61B5/0484    |  |  | <u>Delete</u> the entire definition. |
| A61B5/04845   |  |  | <u>Delete</u> the entire definition. |
| A61B5/0488    |  |  | <u>Delete</u> the entire definition. |
| A61B5/04888   |  |  | <u>Delete</u> the entire definition. |
| A61B5/0492    |  |  | <u>Delete</u> the entire definition. |
| A61B5/0496    |  |  | <u>Delete</u> the entire definition. |

## CPC NOTICE OF CHANGES 968

DATE: JANUARY 1, 2021

PROJECT RP0697

| <u>Symbol</u> | <u>Location of change</u><br>(e.g., section title) | <u>Existing reference symbol or text</u>  | <u>Action; New symbol; New text</u>   |
|---------------|--|---|---|
| A61B5/0555    |  |   | <u>Delete</u> the entire definition.  |
| A61B5/4029    | Limiting References                                | For evaluating the sensory system<br>A61B5/04001  | <u>Replace</u> the existing reference in the “Limiting references” table with the following updated reference.<br><br>Detecting, measuring or recording bioelectric or biomagnetic signals of the body or parts thereof A61B5/24    |
| A61B5/4519    | Limiting References                                | Electromyography<br>A61B 5/0488   | <u>Replace</u> the existing reference in the “Limiting references” table with the following updated reference.<br><br>Electromyography [EMG]<br>A61B 5/389  |
| A61B5/4851    | Informative References                             | Detecting, measuring or recording bioelectric signals of the body or parts thereof<br>A61B 5/04 | <u>Replace</u> the existing reference in the “informative references” table with the following updated reference.<br><br>Detecting, measuring or recording bioelectric or biomagnetic signals of the body or parts thereof A61B5/24 |
| A61B5/486     | Limiting References                                | Electroencephalography using biofeedback<br>A61B 5/0482   | <u>Replace</u> in the “Limiting references” table <u>only the symbol</u> with the following updated symbol.<br><br>A61B 5/375   |
| A61B5/4893    | Informative References                             | Examining nerves<br>A61B 5/04001,<br>A61B 5/40  | <u>Replace</u> in the “Informative references” table the symbol “A61B 5/04001” with the following updated symbol.<br><br>A61B 5/24  |



## CPC NOTICE OF CHANGES 968

DATE: JANUARY 1, 2021

PROJECT RP0697

| <u>Symbol</u> | <u>Location of change</u><br>(e.g., section title) | <u>Existing reference symbol or text</u>                                      | <u>Action; New symbol; New text</u>  |
|---------------|--|---|--|
| A61B5/6811    | Informative References                             | Electromyography<br>A61B5/0488  | <u>Replace</u> in the “Informative references” table the existing symbol with the following symbol.<br><br>A61B5/389   |
| A61B5/6832    | Limiting References                                | Using conductive adhesive means<br>A61B 5/04087                               | <u>Replace</u> in the “Limiting references” table the existing reference with the following updated reference.<br><br>Using conductive adhesive means, e.g. gels A61B5/259   |
| A61B6/04      | Informative References                             | Means for positioning patients in magnetic resonance tomography<br>A61B5/0555 | <u>Replace</u> in the “Informative references” table the existing reference with the following updated reference.<br><br>Involving electronic [EMR] or nuclear [NMR] magnetic resonance, e.g. magnetic resonance imaging A61B5/055 |
| A61B6/0414    | Informative References                             | Means for positioning patients in magnetic resonance tomography<br>A61B5/0555 | <u>Replace</u> in the “Informative references” table the existing reference with the following updated reference.<br><br>Involving electronic [EMR] or nuclear [NMR] magnetic resonance, e.g. magnetic resonance imaging A61B5/055 |
| A61B6/461     | Informative References                             | Displays for electrocardiography<br>A61B5/044                                 | <u>Replace</u> in the “Informative references” table <u>only</u> the existing symbol with the following symbol.<br><br>A61B 5/339  |

## CPC NOTICE OF CHANGES 968

DATE: JANUARY 1, 2021

PROJECT RP0697

| <u>Symbol</u> | <u>Location of change</u><br>(e.g., section title) | <u>Existing reference symbol or text</u>              | <u>Action; New symbol; New text</u>  |
|---------------|--|---|--|
| A61B6/501     | Informative References                             | Electroencephalography<br>A61B5/0476                  | <u>Replace</u> in the “Informative references” table <u>only</u> the existing symbol with the following symbol.<br><br>A61B5/369   |
| A61B6/506     | Informative References                             | Nerve diagnosis<br>A61B5/04001,<br>A61B5/40           | <u>Replace</u> in the “Informative references” table the two existing symbols with the following updated symbols.<br><br>A61B5/24, A61B5/40                                    |
| A61B7/023     | Limiting References                                | Oesophageal ECG probes<br>A61B 5/0421                 | <u>Replace</u> in the “Limiting references” table the entire reference with the following updated reference.<br><br>Endotracheal, oesophageal or gastric probes      A61B5/285 |
| A61B8/0816    | Informative References                             | Diagnosis using electro-encephalography<br>A61B5/0476 | <u>Replace</u> in the “Informative references” table the existing symbol with the following symbol.<br><br>A61B5/369   |
| A61B8/0883    | Informative References                             | Electrocardiography<br>A61B5/0402                     | <u>Replace</u> in the “Informative references” table the existing symbol with the following symbol.<br><br>A61B5/318   |
| A61B8/461     | Informative References                             | Displays for electrocardiography<br>A61B5/044         | <u>Replace</u> in the “Informative references” table the existing symbol with the following symbol.<br><br>A61B5/339   |

CPC NOTICE OF CHANGES 968

DATE: JANUARY 1, 2021

PROJECT RP0697

3. REVISION CONCORDANCE LIST (RCL)

| <b>Type*</b> | <b>From CPC Symbol<br/>(existing)</b> | <b>To CPC Symbol(s)</b>                  |
|--------------|---------------------------------------|--|
| D            | A61B 5/04                             | <administrative transfer to A61B 5/24>   |
| D            | A61B 5/04001                          | <administrative transfer to A61B 5/24>   |
| D            | A61B 5/04002                          | <administrative transfer to A61B 5/2415> |
| D            | A61B 5/04004                          | <administrative transfer to A61B 5/30>   |
| D            | A61B 5/04005                          | <administrative transfer to A61B 5/242>  |
| D            | A61B 5/04007                          | <administrative transfer to A61B 5/243>  |
| D            | A61B 5/04008                          | <administrative transfer to A61B 5/245>  |
| D            | A61B 5/04009                          | <administrative transfer to A61B 5/246>  |
| D            | A61B 5/04011                          | <administrative transfer to A61B 5/341>  |
| D            | A61B 5/04012                          | <administrative transfer to A61B 5/316>  |
| D            | A61B 5/04014                          | <administrative transfer to A61B 5/316>  |
| D            | A61B 5/04015                          | <administrative transfer to A61B 5/316>  |
| D            | A61B 5/04017                          | <administrative transfer to A61B 5/316>  |
| D            | A61B 5/04018                          | <administrative transfer to A61B 5/316>  |
| D            | A61B 5/0402                           | <administrative transfer to A61B 5/318>  |
| D            | A61B 5/04021                          | <administrative transfer to A61B 5/319>  |
| D            | A61B 5/04023                          | <administrative transfer to A61B 5/322>  |
| D            | A61B 5/04025                          | <administrative transfer to A61B 5/325>  |
| D            | A61B 5/04026                          | <administrative transfer to A61B 5/324>  |
| D            | A61B 5/04028                          | <administrative transfer to A61B 5/327>  |
| D            | A61B 5/0404                           | <administrative transfer to A61B 5/332>  |
| D            | A61B 5/0408                           | <administrative transfer to A61B 5/25>   |
| D            | A61B 5/04082                          | <administrative transfer to A61B 5/252>  |
| D            | A61B 5/04085                          | <administrative transfer to A61B 5/282>  |
| D            | A61B 5/04087                          | <administrative transfer to A61B 5/259>  |
| D            | A61B 5/0416                           | <administrative transfer to A61B 5/274>  |
| D            | A61B 5/042                            | <administrative transfer to A61B 5/283>  |
| D            | A61B 5/0421                           | <administrative transfer to A61B 5/285>  |
| D            | A61B 5/0422                           | <administrative transfer to A61B 5/287>  |
| D            | A61B 5/0424                           | <administrative transfer to A61B 5/276>  |
| D            | A61B 5/0428                           | <administrative transfer to A61B 5/30>   |
| D            | A61B 5/04282                          | <administrative transfer to A61B 5/301>  |
| D            | A61B 5/04284                          | <administrative transfer to A61B 5/302>  |
| D            | A61B 5/04286                          | <administrative transfer to A61B 5/303>  |
| D            | A61B 5/04288                          | <administrative transfer to A61B 5/304>  |
| D            | A61B 5/0432                           | <administrative transfer to A61B 5/333>  |
| D            | A61B 5/04325                          | <administrative transfer to A61B 5/335>  |
| D            | A61B 5/0436                           | <administrative transfer to A61B 5/336>  |
| D            | A61B 5/04365                          | <administrative transfer to A61B 5/337>  |
| D            | A61B 5/044                            | <administrative transfer to A61B 5/339>  |
| D            | A61B 5/0444                           | <administrative transfer to A61B 5/344>  |
| D            | A61B 5/0448                           | <administrative transfer to A61B 5/288>  |
| D            | A61B 5/04485                          | <administrative transfer to A61B 5/252>  |
| D            | A61B 5/0452                           | <administrative transfer to A61B 5/349>  |
| D            | A61B 5/04525                          | <administrative transfer to A61B 5/35>   |
| D            | A61B 5/0456                           | <administrative transfer to A61B 5/352>  |

## CPC NOTICE OF CHANGES 968

DATE: JANUARY 1, 2021

PROJECT RP0697

| <b>Type*</b> | <b>From CPC Symbol<br/>(existing)</b> | <b>To CPC Symbol(s)</b>   |
|--------------|---------------------------------------|---|
| D            | A61B 5/046                            | <administrative transfer to A61B 5/361>   |
| D            | A61B 5/0464                           | <administrative transfer to A61B 5/363>   |
| D            | A61B 5/0468                           | <administrative transfer to A61B 5/364>   |
| D            | A61B 5/0472                           | <administrative transfer to A61B 5/366>   |
| D            | A61B 5/0476                           | <administrative transfer to A61B 5/369>   |
| D            | A61B 5/0478                           | <administrative transfer to A61B 5/291>   |
| D            | A61B 5/048                            | <administrative transfer to A61B 5/374>   |
| D            | A61B 5/0482                           | <administrative transfer to A61B 5/375>   |
| D            | A61B 5/0484                           | <administrative transfer to A61B 5/377>   |
| D            | A61B 5/04842                          | <administrative transfer to A61B 5/378>   |
| D            | A61B 5/04845                          | <administrative transfer to A61B 5/38>  |
| D            | A61B 5/04847                          | <administrative transfer to A61B 5/381>   |
| D            | A61B 5/0488                           | <administrative transfer to A61B 5/389>   |
| D            | A61B 5/04882                          | <administrative transfer to A61B 5/391>   |
| D            | A61B 5/04884                          | <administrative transfer to A61B 5/392>   |
| D            | A61B 5/04886                          | <administrative transfer to A61B 5/394>   |
| D            | A61B 5/04888                          | <administrative transfer to A61B 5/389>   |
| D            | A61B 5/0492                           | <administrative transfer to A61B 5/296>   |
| D            | A61B 5/0496                           | <administrative transfer to A61B 5/398>   |
| C            | A61B 5/0535                           | A61B 5/0535, A61B 5/0295  |
| D            | A61B 5/0555                           | <administrative transfer to A61B 5/055>   |
| Q            | A61B 5/242                            | A61B 5/242, A61B 5/248  |
| Q            | A61B 5/25                             | A61B 5/25, A61B 5/251, A61B 5/254, A61B 5/256, A61B 5/257, A61B 5/26, A61B 5/262, A61B 5/263, A61B 5/265, A61B 5/266, A61B 5/268, A61B 5/27, A61B 5/271, A61B 5/273, A61B 5/274, A61B 5/276, A61B 5/277, A61B 5/279, A61B 5/28, A61B 5/29, A61B 5/293, A61B 5/294, A61B 5/297 |
| Q            | A61B 5/283                            | A61B 5/29, A61B 5/293, A61B 5/283   |
| Q            | A61B 5/30                             | A61B 5/30, A61B 5/305, A61B 5/307, A61B 5/308, A61B 5/31, A61B 5/311, A61B 5/313, A61B 5/315  |
| Q            | A61B 5/316                            | A61B 5/316, A61B 5/321, A61B 5/329, A61B 5/33, A61B 5/338, A61B 5/343, A61B 5/346, A61B 5/347, A61B 5/353, A61B 5/355, A61B 5/357, A61B 5/358, A61B 5/36, A61B 5/367, A61B 5/388, A61B 5/395, A61B 5/397  |
| Q            | A61B 5/369                            | A61B 5/369, A61B 5/37, A61B 5/372, A61B 5/384, A61B 5/386   |
| Q            | A61B 5/377                            | A61B 5/377, A61B 5/383  |
| Q            | A61B 5/398                            | A61B 5/398, A61B 5/297  |

\* C = entries with modified file scope where reclassification of documents from the entries is involved; Q = new entries which are firstly populated with documents via administrative transfers from deleted (D) entries. Afterwards, the transferred documents into the Q entry will either stay or be moved to more appropriate entries, as determined by intellectual reclassification; D = deleted entries; F = frozen entries will be deleted once reclassification of documents from the entries is completed.

## NOTES:

- Only C, D, F, and Q type entries are included in the table above.
- When multiple symbols are included in the “To” column, do not use ranges of symbols.
- For administrative transfer of documents, the following text should be used: “< administrative transfer to XX>”, “<administrative transfer to XX and YY simultaneously>”, or “<administrative transfer to XX, YY, ...and ZZ simultaneously>” when administrative transfer of the same documents is to more than one place.
- Administrative transfer to main trunk groups is assumed to be the source allocation type, unless otherwise indicated.

CPC NOTICE OF CHANGES 968

DATE: JANUARY 1, 2021

PROJECT RP0697

- Administrative transfer to 2000/Y series groups is assumed to be “additional information”.
- If needed, instructions for allocation type should be indicated within the angle brackets using the abbreviations “ADD” or “INV”: <administrative transfer to XX ADD>, <administrative transfer to XX INV>, or < administrative transfer to XX ADD, YY INV, ... and ZZ ADD simultaneously>.
- In certain situations, the “D” entries of 2000-series or Y-series groups may not require a destination (“To”) symbol, however it is required to specify “<no transfer>” in the “To” column for such cases.
- RCL is not needed for finalisation projects.

CPC NOTICE OF CHANGES 968

DATE: JANUARY 1, 2021

PROJECT RP0697

4. CHANGES TO THE CPC-TO-IPC CONCORDANCE LIST (CICL)

| <u>CPC</u>   | <u>IPC</u> | <u>Action*</u> |
|--------------|------------|----------------|
| A61B 5/04    |            | DELETE         |
| A61B 5/04001 |            | DELETE         |
| A61B 5/04002 |            | DELETE         |
| A61B 5/04004 |            | DELETE         |
| A61B 5/04005 |            | DELETE         |
| A61B 5/04007 |            | DELETE         |
| A61B 5/04008 |            | DELETE         |
| A61B 5/04009 |            | DELETE         |
| A61B 5/04011 |            | DELETE         |
| A61B 5/04012 |            | DELETE         |
| A61B 5/04014 |            | DELETE         |
| A61B 5/04015 |            | DELETE         |
| A61B 5/04017 |            | DELETE         |
| A61B 5/04018 |            | DELETE         |
| A61B 5/0402  |            | DELETE         |
| A61B 5/04021 |            | DELETE         |
| A61B 5/04023 |            | DELETE         |
| A61B 5/04025 |            | DELETE         |
| A61B 5/04026 |            | DELETE         |
| A61B 5/04028 |            | DELETE         |
| A61B 5/0404  |            | DELETE         |
| A61B 5/0408  |            | DELETE         |
| A61B 5/04082 |            | DELETE         |
| A61B 5/04085 |            | DELETE         |
| A61B 5/04087 |            | DELETE         |
| A61B 5/0416  |            | DELETE         |
| A61B 5/042   |            | DELETE         |
| A61B 5/0421  |            | DELETE         |
| A61B 5/0422  |            | DELETE         |
| A61B 5/0424  |            | DELETE         |
| A61B 5/0428  |            | DELETE         |
| A61B 5/04282 |            | DELETE         |
| A61B 5/04284 |            | DELETE         |
| A61B 5/04286 |            | DELETE         |
| A61B 5/04288 |            | DELETE         |
| A61B 5/0432  |            | DELETE         |
| A61B 5/04325 |            | DELETE         |
| A61B 5/0436  |            | DELETE         |
| A61B 5/04365 |            | DELETE         |
| A61B 5/044   |            | DELETE         |
| A61B 5/0444  |            | DELETE         |
| A61B 5/0448  |            | DELETE         |

CPC NOTICE OF CHANGES 968

DATE: JANUARY 1, 2021

PROJECT RP0697

| <u>CPC</u>   | <u>IPC</u>  | <u>Action*</u> |
|--------------|-------------|----------------|
| A61B 5/04485 |             | DELETE         |
| A61B 5/0452  |             | DELETE         |
| A61B 5/04525 |             | DELETE         |
| A61B 5/0456  |             | DELETE         |
| A61B 5/046   |             | DELETE         |
| A61B 5/0464  |             | DELETE         |
| A61B 5/0468  |             | DELETE         |
| A61B 5/0472  |             | DELETE         |
| A61B 5/0476  |             | DELETE         |
| A61B 5/0478  |             | DELETE         |
| A61B 5/048   |             | DELETE         |
| A61B 5/0482  |             | DELETE         |
| A61B 5/0484  |             | DELETE         |
| A61B 5/04842 |             | DELETE         |
| A61B 5/04845 |             | DELETE         |
| A61B 5/04847 |             | DELETE         |
| A61B 5/0488  |             | DELETE         |
| A61B 5/04882 |             | DELETE         |
| A61B 5/04884 |             | DELETE         |
| A61B 5/04886 |             | DELETE         |
| A61B 5/04888 |             | DELETE         |
| A61B 5/0492  |             | DELETE         |
| A61B 5/0496  |             | DELETE         |
| A61B 5/0507  | A61B 5/0507 | UPDATE         |
| A61B 5/0515  | A61B 5/0515 | UPDATE         |
| A61B 5/0522  | A61B 5/0522 | UPDATE         |
| A61B 5/0531  | A61B 5/0531 | UPDATE         |
| A61B 5/0532  | A61B 5/0532 | UPDATE         |
| A61B 5/0533  | A61B 5/0533 | UPDATE         |
| A61B5/0534   | A61B5/0534  | UPDATE         |
| A61B 5/0535  | A61B 5/0535 | UPDATE         |
| A61B 5/0536  | A61B 5/0536 | UPDATE         |
| A61B 5/0537  | A61B 5/0537 | UPDATE         |
| A61B5/0538   | A61B5/0538  | UPDATE         |
| A61B 5/0555  |             | DELETE         |
| A61B 5/24    | A61B 5/24   | NEW            |
| A61B 5/2415  | A61B5/24    | NEW            |
| A61B 5/242   | A61B 5/242  | NEW            |
| A61B 5/243   | A61B 5/243  | NEW            |
| A61B 5/245   | A61B 5/245  | NEW            |
| A61B 5/246   | A61B 5/246  | NEW            |
| A61B 5/248   | A61B 5/248  | NEW            |
| A61B 5/25    | A61B 5/25   | NEW            |
| A61B 5/251   | A61B 5/251  | NEW            |

CPC NOTICE OF CHANGES 968

DATE: JANUARY 1, 2021

PROJECT RP0697

| <u>CPC</u> | <u>IPC</u> | <u>Action*</u> |
|------------|------------|----------------|
| A61B 5/252 | A61B 5/252 | NEW            |
| A61B 5/254 | A61B 5/254 | NEW            |
| A61B 5/256 | A61B 5/256 | NEW            |
| A61B 5/257 | A61B 5/257 | NEW            |
| A61B 5/259 | A61B 5/259 | NEW            |
| A61B 5/26  | A61B 5/26  | NEW            |
| A61B 5/262 | A61B 5/262 | NEW            |
| A61B 5/263 | A61B 5/263 | NEW            |
| A61B 5/265 | A61B 5/265 | NEW            |
| A61B 5/266 | A61B 5/266 | NEW            |
| A61B 5/268 | A61B 5/268 | NEW            |
| A61B 5/27  | A61B 5/27  | NEW            |
| A61B 5/271 | A61B 5/271 | NEW            |
| A61B 5/273 | A61B 5/273 | NEW            |
| A61B 5/274 | A61B 5/274 | NEW            |
| A61B 5/276 | A61B 5/276 | NEW            |
| A61B 5/277 | A61B 5/277 | NEW            |
| A61B 5/279 | A61B 5/279 | NEW            |
| A61B 5/28  | A61B 5/28  | NEW            |
| A61B 5/282 | A61B 5/282 | NEW            |
| A61B 5/283 | A61B 5/283 | NEW            |
| A61B 5/285 | A61B 5/285 | NEW            |
| A61B 5/287 | A61B 5/287 | NEW            |
| A61B 5/288 | A61B 5/288 | NEW            |
| A61B 5/29  | A61B 5/29  | NEW            |
| A61B 5/291 | A61B 5/291 | NEW            |
| A61B 5/293 | A61B 5/293 | NEW            |
| A61B 5/294 | A61B 5/294 | NEW            |
| A61B 5/296 | A61B 5/296 | NEW            |
| A61B 5/297 | A61B 5/297 | NEW            |
| A61B 5/30  | A61B 5/30  | NEW            |
| A61B 5/301 | A61B 5/301 | NEW            |
| A61B 5/302 | A61B 5/302 | NEW            |
| A61B 5/303 | A61B5/30   | NEW            |
| A61B 5/304 | A61B 5/304 | NEW            |
| A61B 5/305 | A61B 5/305 | NEW            |
| A61B 5/307 | A61B 5/307 | NEW            |
| A61B 5/308 | A61B 5/308 | NEW            |
| A61B 5/31  | A61B 5/31  | NEW            |
| A61B 5/311 | A61B 5/311 | NEW            |
| A61B 5/313 | A61B 5/313 | NEW            |
| A61B 5/315 | A61B 5/315 | NEW            |
| A61B 5/316 | A61B 5/316 | NEW            |
| A61B 5/318 | A61B 5/318 | NEW            |



CPC NOTICE OF CHANGES 968

DATE: JANUARY 1, 2021

PROJECT RP0697

| <u>CPC</u> | <u>IPC</u> | <u>Action*</u> |
|------------|------------|----------------|
| A61B 5/319 | A61B 5/319 | NEW            |
| A61B 5/321 | A61B 5/321 | NEW            |
| A61B 5/322 | A61B 5/322 | NEW            |
| A61B 5/324 | A61B 5/324 | NEW            |
| A61B 5/325 | A61B 5/325 | NEW            |
| A61B 5/327 | A61B 5/327 | NEW            |
| A61B 5/329 | A61B 5/329 | NEW            |
| A61B 5/33  | A61B 5/33  | NEW            |
| A61B 5/332 | A61B 5/332 | NEW            |
| A61B 5/333 | A61B 5/333 | NEW            |
| A61B 5/335 | A61B 5/335 | NEW            |
| A61B 5/336 | A61B 5/336 | NEW            |
| A61B 5/337 | A61B5/336  | NEW            |
| A61B 5/338 | A61B 5/338 | NEW            |
| A61B 5/339 | A61B 5/339 | NEW            |
| A61B 5/341 | A61B 5/341 | NEW            |
| A61B 5/343 | A61B 5/343 | NEW            |
| A61B 5/344 | A61B 5/344 | NEW            |
| A61B 5/346 | A61B 5/346 | NEW            |
| A61B 5/347 | A61B 5/347 | NEW            |
| A61B 5/349 | A61B 5/349 | NEW            |
| A61B 5/35  | A61B 5/35  | NEW            |
| A61B 5/352 | A61B 5/352 | NEW            |
| A61B 5/353 | A61B 5/353 | NEW            |
| A61B 5/355 | A61B 5/355 | NEW            |
| A61B 5/357 | A61B 5/357 | NEW            |
| A61B 5/358 | A61B 5/358 | NEW            |
| A61B 5/36  | A61B 5/36  | NEW            |
| A61B 5/361 | A61B 5/361 | NEW            |
| A61B 5/363 | A61B 5/363 | NEW            |
| A61B 5/364 | A61B 5/364 | NEW            |
| A61B 5/366 | A61B 5/366 | NEW            |
| A61B 5/367 | A61B 5/367 | NEW            |
| A61B 5/369 | A61B 5/369 | NEW            |
| A61B 5/37  | A61B 5/37  | NEW            |
| A61B 5/372 | A61B 5/372 | NEW            |
| A61B 5/374 | A61B 5/374 | NEW            |
| A61B 5/375 | A61B 5/375 | NEW            |
| A61B 5/377 | A61B 5/377 | NEW            |
| A61B 5/378 | A61B 5/378 | NEW            |
| A61B 5/38  | A61B 5/38  | NEW            |
| A61B 5/381 | A61B 5/381 | NEW            |
| A61B 5/383 | A61B 5/383 | NEW            |
| A61B 5/384 | A61B 5/384 | NEW            |

CPC NOTICE OF CHANGES 968

DATE: JANUARY 1, 2021

PROJECT RP0697

| <u>CPC</u> | <u>IPC</u> | <u>Action*</u> |
|------------|------------|----------------|
| A61B 5/386 | A61B 5/386 | NEW            |
| A61B 5/388 | A61B 5/388 | NEW            |
| A61B 5/389 | A61B 5/389 | NEW            |
| A61B 5/391 | A61B 5/391 | NEW            |
| A61B 5/392 | A61B 5/392 | NEW            |
| A61B 5/394 | A61B 5/394 | NEW            |
| A61B 5/395 | A61B 5/395 | NEW            |
| A61B 5/397 | A61B 5/397 | NEW            |
| A61B 5/398 | A61B 5/398 | NEW            |

\*Action column:

- For an (N) or (Q) entry, provide an IPC symbol and complete the Action column with “NEW.”
- For an existing CPC main trunk entry or indexing entry where the existing IPC symbol needs to be changed, provide an updated IPC symbol and complete the Action column with “UPDATED.”
- For a (D) CPC entry or indexing entry complete the Action column with “DELETE.” IPC symbol does not need to be included in the IPC column.
- For an (N) 2000 series CPC entry which is positioned within the main trunk scheme (breakdown code) provide an IPC symbol and complete the action column with “NEW”.
- For an (N) 2000 series CPC entry positioned at the end of the CPC scheme (orthogonal code), with no IPC equivalent, complete the IPC column with “CPCONLY” and complete the action column with “NEW”.

NOTES:

- F symbols are not included in the CICL table above.
- T and M symbols are not included in the CICL table above unless a change to the existing IPC is desired.

\*Action column:

- For an (N) or (Q) entry, provide an IPC symbol and complete the Action column with “NEW.”
- For an existing CPC main trunk entry or indexing entry where the existing IPC symbol needs to be changed, provide an updated IPC symbol and complete the Action column with “UPDATED.”
- For a (D) CPC entry or indexing entry complete the Action column with “DELETE.” IPC symbol does not need to be included in the IPC column.
- For an (N) 2000 series CPC entry which is positioned within the main trunk scheme (breakdown code) provide an IPC symbol and complete the action column with “NEW”.
- For an (N) 2000 series CPC entry positioned at the end of the CPC scheme (orthogonal code), with no IPC equivalent, complete the IPC column with “CPCONLY” and complete the action column with “NEW”.

NOTES:

- F symbols are not included in the CICL table above.
- T and M symbols are not included in the CICL table above unless a change to the existing IPC is desired.

CPC NOTICE OF CHANGES 968

DATE: JANUARY 1, 2021

PROJECT RP0697

5. CROSS-REFERENCE LIST (CRL)

Scheme references impacted by this revision project

| <u>Location of reference to be changed</u> | <u>Referenced subclass or group to be changed</u> | <u>Action; New reference symbol; New text</u>                           |
|--|---|---|
| G01R19/00                                  | A61B5/04  | Replace the existing symbol with the following symbol.<br><br>A61B5/24  |
| G06K9/0057                                 | A61B5/0476  | Replace the existing symbol with the following symbol.<br><br>A61B5/369 |

Definitions references impacted by this revision project

| <u>Location of reference to be changed</u> | <u>Referenced subclass or group to be changed</u> | <u>Section of definition</u>                   | <u>Action; New reference symbol; New text</u>                           |
|--|---|--|---|
| A61F2/72                                   | A61B5/04  | Informative references                         | Replace the existing symbol with the following symbol.<br><br>A61B5/24  |
| A61F2/72                                   | A61B5/0488  | Informative references                         | Replace the existing symbol with the following symbol.<br><br>A61B5/389 |
| A61F2/72                                   | A61B5/0488  | Relationships with other classification places | Replace the existing symbol with the following symbol.<br><br>A61B5/389 |
| A61F 2002/482                              | A61B5/04  | Informative references                         | Replace the existing symbol with the following symbol.<br><br>A61B5/24  |
| A61F 2002/482                              | A61B5/0488  | Informative references                         | Replace the existing symbol with the following symbol.<br><br>A61B5/389 |
| A61G13/00                                  | A61B5/0555  | Informative references                         | Replace the existing symbol with the following symbol.<br><br>A61B5/055 |

CPC NOTICE OF CHANGES 968

DATE: JANUARY 1, 2021

PROJECT RP0697

| <u>Location of reference to be changed</u> | <u>Referenced subclass or group to be changed</u> | <u>Section of definition</u> | <u>Action; New reference symbol; New text</u>                                  |
|--|---|------------------------------|--|
| A61N                                       | A61B5/04  | Informative references       | <u>Replace</u> the existing symbol with the following symbol.<br><br>A61B5/24  |
| A61N1/00                                   | A61B5/0452  | Informative references       | <u>Replace</u> the existing symbol with the following symbol.<br><br>A61B5/349 |
| A61N1/00                                   | A61B5/0488  | Informative references       | <u>Replace</u> the existing symbol with the following symbol.<br><br>A61B5/389 |
| A61N1/00                                   | A61B5/04882                                       | Informative references       | <u>Replace</u> the existing symbol with the following symbol.<br><br>A61B5/391 |
| A61N1/00                                   | A61B5/04884                                       | Informative references       | <u>Replace</u> the existing symbol with the following symbol.<br><br>A61B5/392 |
| A61N1/04                                   | A61B5/0408  | Informative references       | <u>Replace</u> the existing symbol with the following symbol.<br><br>A61B5/25  |
| A61N1/04                                   | A61B5/0478  | Informative references       | <u>Replace</u> the existing symbol with the following symbol.<br><br>A61B5/291 |
| A61N1/04                                   | A61B5/0492  | Informative references       | <u>Replace</u> the existing symbol with the following symbol.<br><br>A61B5/296 |
| G01D                                       | A61B5/04325                                       | Informative references       | <u>Replace</u> the existing symbol with the following symbol.<br><br>A61B5/335 |
| G01D9/00                                   | A61B5/04325                                       | Definition statement         | <u>Replace</u> the existing symbol with the following symbol.<br><br>A61B5/335 |

## CPC NOTICE OF CHANGES 968

DATE: JANUARY 1, 2021

PROJECT RP0697

| <u>Location of reference to be changed</u> | <u>Referenced subclass or group to be changed</u> | <u>Section of definition</u>    | <u>Action; New reference symbol; New text</u>                                  |
|--|---|---------------------------------|--|
| G01D9/00                                   | A61B5/04325                                       | Informative references          | <u>Replace</u> the existing symbol with the following symbol.<br><br>A61B5/335 |
| G01R                                       | A61B5/04  | Application-oriented references | <u>Replace</u> the existing symbol with the following symbol.<br><br>A61B5/24  |
| G01R33/20                                  | A61B5/0555  | Informative references          | <u>Delete</u> the entire reference (text and symbol).                          |
| G06F3/015                                  | A61B5/04  | Limiting references             | <u>Replace</u> the existing symbol with the following symbol.<br><br>A61B5/24  |
| H03F                                       | A61B5/04  | Limiting references             | <u>Replace</u> the existing symbol with the following symbol.<br><br>A61B5/24  |
| H03F3/38                                   | A61B5/04  | Application-oriented references | <u>Replace</u> the existing symbol with the following symbol.<br><br>A61B5/24  |

## NOTES:

- The CRL tables above are used for changes to locations outside of the project scope. Changes to references in scheme titles or definitions inside the project scope will be reflected in the “scheme change” template or one of the “definition” templates.
- In addition to other changes proposed in the tables above, in the column titled “Referenced subclass or group to be changed,” referenced D symbols should indicate an action of “delete” or should indicate a replacement symbol and referenced F symbols should indicate a replacement symbol.
- When a reference is deleted, text related to that reference will also be deleted unless other references or a range of references associated with the same text remain.