

## A23N

**MACHINES OR APPARATUS FOR TREATING HARVESTED FRUIT, VEGETABLES OR FLOWER BULBS IN BULK, NOT OTHERWISE PROVIDED FOR; PEELING VEGETABLES OR FRUIT IN BULK; APPARATUS FOR PREPARING ANIMAL FEEDING- STUFFS (machines for cutting straw or fodder [A01F 29/00](#); disintegrating, e.g. shredding, [B02C](#); severing, e.g. cutting, splitting, slicing [B26B](#), [B26D](#))**

### Definition statement

*This place covers:*

Apparatus for post-harvest processing of fruit, vegetables or flower bulbs in bulk, or on an industrial scale ([A23N 1/00](#) - [A23N 15/00](#)); Apparatus for preparing fodder for feeding animals ([A23N 17/00](#))

### References

#### Limiting references

*This place does not cover:*

Agricultural machinery, such as harvesters	<a href="#">A01D</a>
Household devices	<a href="#">A47J</a>
Treatment of grain	<a href="#">B02B</a>
Processing sugar containing produce	<a href="#">C13B</a>

#### Informative references

*Attention is drawn to the following places, which may be of interest for search:*

Machines for cutting straw or fodder	<a href="#">A01F 29/00</a>
Disintegrating, e.g. shredding in general	<a href="#">B02C</a>
Severing, e.g. cutting, splitting, slicing	<a href="#">B26B</a> , <a href="#">B26D</a>
Extracting presses in general	<a href="#">B30B</a>

## A23N 1/00

**Machines or apparatus for extracting juice (preparation of non-alcoholic beverages, e.g. by adding ingredients to fruit or vegetable juices, [A23L 2/00](#); apparatus for making beverages [A47J 31/00](#) {; centrifuges [B04B](#)}; extracting presses [B30B](#))**

### References

#### Limiting references

*This place does not cover:*

Extraction of juice (processes)	<a href="#">A23L 2/04</a>
Household devices for extracting juice	<a href="#">A47J 19/00</a>
Production of sugar juices	<a href="#">C13B 10/00</a>

**Informative references**

Attention is drawn to the following places, which may be of interest for search:

Preparation of non-alcoholic beverages, e.g. by adding ingredients to fruit or vegetable juices	<a href="#">A23L 2/00</a>
Apparatus for making beverages	<a href="#">A47J 31/00</a>
Centrifuges as such	<a href="#">B04B</a>
Extracting presses in general	<a href="#">B30B</a>

**Special rules of classification**

Apparatus for post-harvest processing of fruit, vegetables or flower bulbs in bulk, or on an industrial scale ([A23N 1/00](#) - [A23N 15/00](#)); Apparatus for preparing fodder for feeding animals ([A23N 17/00](#))

**A23N 1/003**

{especially for citrus fruits}

**Definition statement**

*This place covers:*

Machines or apparatus for extracting juice in bulk, or on an industrial scale, dedicated for citrus fruit

**References****Limiting references**

*This place does not cover:*

Extraction processes of juice from citrus fruit	<a href="#">A23L 2/06</a>
Household devices	<a href="#">A47J 19/00</a>

**A23N 3/00**

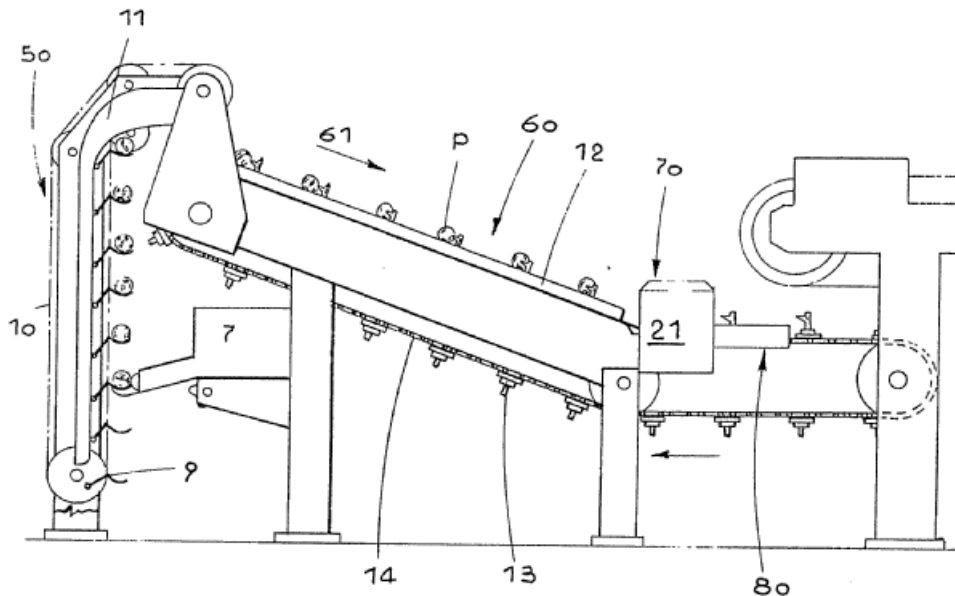
**Machines for coring or stoning fruit, characterised by their feeding device ([A23N 4/00](#) takes precedence {; kitchen devices for stoning fruit [A47J 25/00](#)})**

**Definition statement**

*This place covers:*

Machines for coring or stoning fruit in bulk, or on an industrial scale, characterised by their feeding device

Illustrative example of subject matter classified in this group:



(source: Fig. 4 of EP0056790 A1)

**References**

**Limiting references**

*This place does not cover:*

Machines for coring or stoning characterised by their stoning or seed removing device	<a href="#">A23N 4/00</a>
Kitchen devices for stoning fruit	<a href="#">A47J 25/00</a>

**Informative references**

*Attention is drawn to the following places, which may be of interest for search:*

Conveyors	<a href="#">B65G</a>
-----------	----------------------

**A23N 3/02**

**with feeder-drums**

**References**

**Informative references**

*Attention is drawn to the following places, which may be of interest for search:*

Screw or rotary spiral conveyors	<a href="#">B65G 33/00</a>
----------------------------------	----------------------------

## A23N 3/04

with endless feeder-belts

### References

#### Informative references

Attention is drawn to the following places, which may be of interest for search:

Conveyors having endless load-conveying surfaces	<a href="#">B65G 15/00</a>
--	----------------------------

## A23N 3/06

with feeder-tables

### References

#### Informative references

Attention is drawn to the following places, which may be of interest for search:

Conveyors comprising a cyclically-moving, e.g. reciprocating, carrier or impeller which is disengaged from the load during the return part of its movement	<a href="#">B65G 25/00</a>
--	----------------------------

## A23N 4/00

**Machines for stoning fruit or removing seed-containing sections from fruit, characterised by their stoning or removing device (for peeling fruit and removing seed-containing sections [A23N 7/08](#); domestic devices for stoning fruit [A47J 23/00](#), for coring fruit [A47J 25/00](#))**

### Definition statement

*This place covers:*

Machines for stoning fruit or removing seed-containing sections from fruit in bulk, or on an industrial scale, characterised by their stoning or removing device

### References

#### Limiting references

*This place does not cover:*

Apparatus for peeling fruit and removing seed-containing sections for coring fruit	<a href="#">A23N 7/08</a>
Domestic devices for stoning fruit	<a href="#">A47J 23/00</a>
Domestic devices for coring fruit	<a href="#">A47J 25/00</a>

#### Informative references

Attention is drawn to the following places, which may be of interest for search:

Apparatus for peeling fruit and removing seed-containing sections	<a href="#">A23N 7/08</a>
Arrangements for guiding hand cutting tools in general	<a href="#">B26B 29/06</a>

Cutters in general	<a href="#">B26D 1/00</a>
Details of apparatus for cutting, cutting-out, stamping-out, punching, perforating, or severing by means other than cutting	<a href="#">B26D 7/00</a>
Punching tools or dies, cutting-out knives or dies in general	<a href="#">B26F</a>

## A23N 4/02

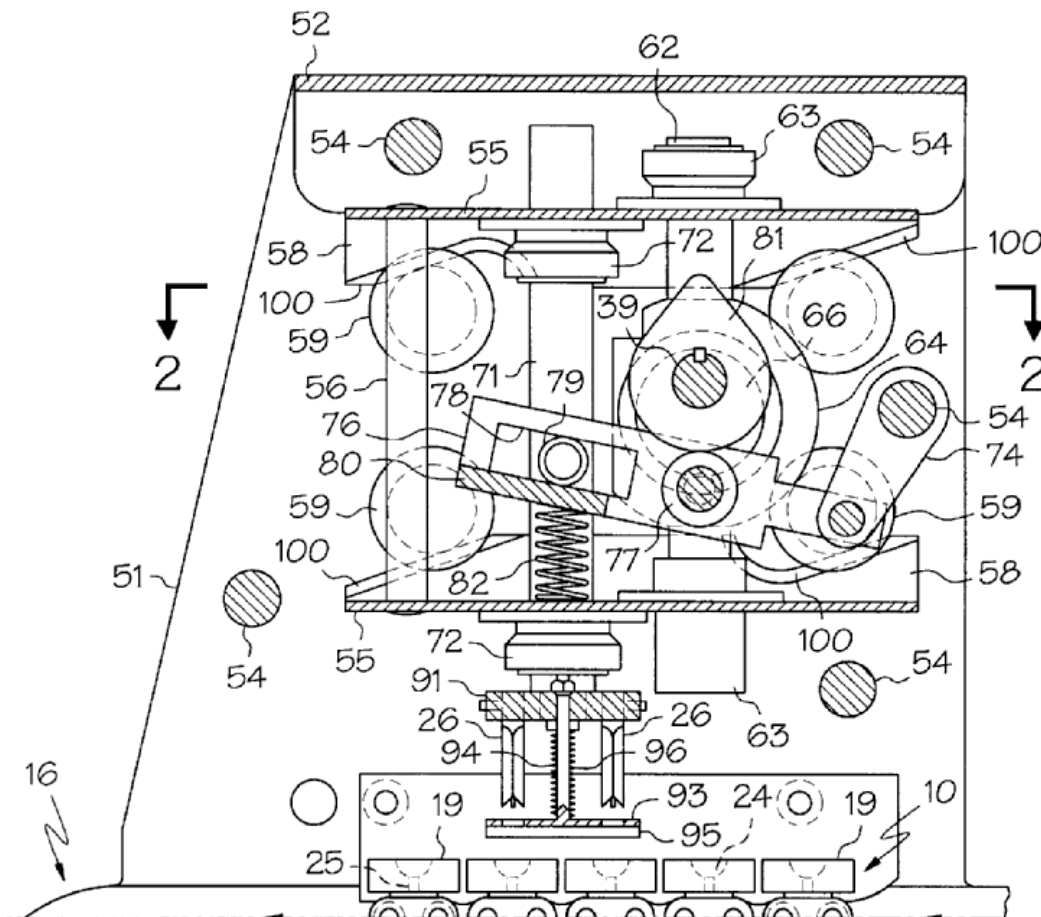
### for stoning fruit

#### Definition statement

*This place covers:*

Machines for stoning fruit in bulk, or on an industrial scale, characterised by their stoning device

Illustrative example of subject matter classified in this group:



(source: Fig. 1 of US5992310 A)

#### References

#### Limiting references

*This place does not cover:*

Peeling fruit and removing seed-containing sections for coring fruit	<a href="#">A23N 7/08</a>
--	---------------------------

Domestic devices for stoning fruit	<a href="#">A47J 23/00</a>
------------------------------------	----------------------------

### **Informative references**

*Attention is drawn to the following places, which may be of interest for search:*

Peeling fruit and removing seed-containing sections	<a href="#">A23N 7/08</a>
Details of apparatus for cutting, cutting-out, stamping-out, punching, perforating, or severing by means other than cutting	<a href="#">B26D 7/00</a>

### **Synonyms and Keywords**

Stone	core, kernel, nut, seed
-------	-------------------------

## **A23N 4/12**

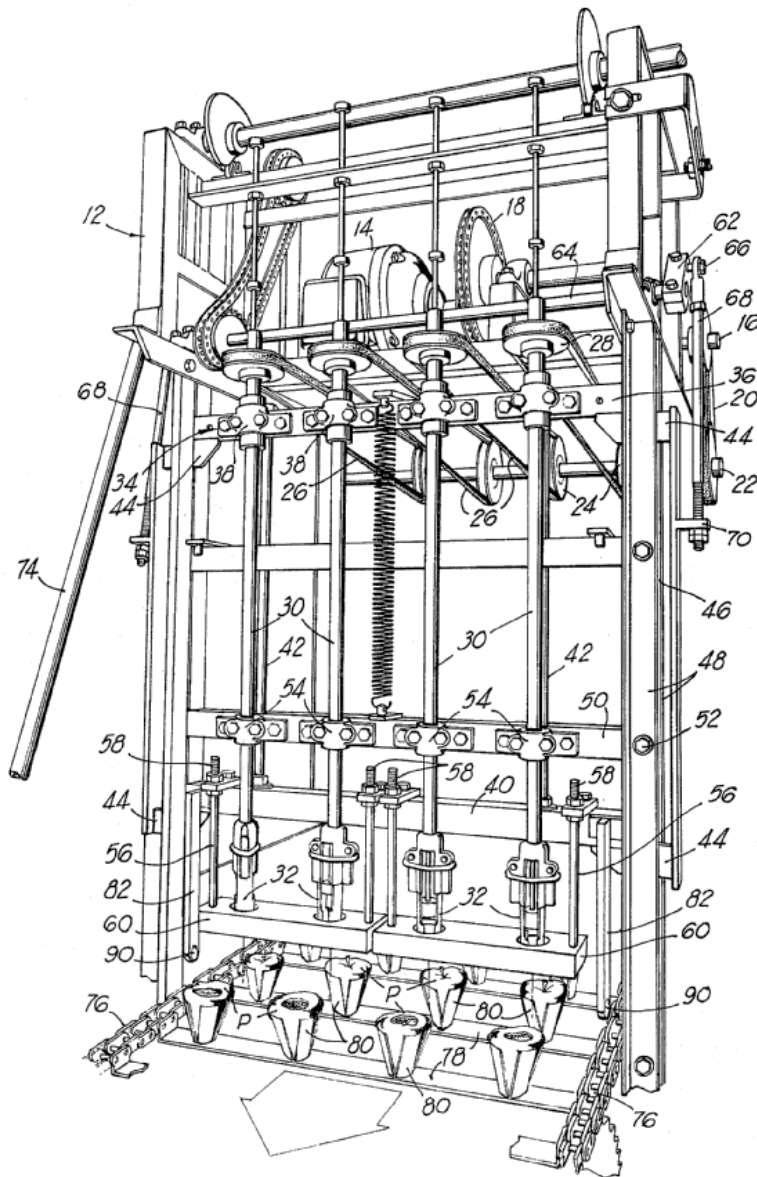
**for coring fruit {(for household appliances [B26B](#))}**

### **Definition statement**

*This place covers:*

Machines for removing seed-containing sections from fruit in bulk, or on an industrial scale, characterised by their removing device, and not suitable for stoning

Illustrative example of subject matter classified in this group:



(source: Fig. 1 of US4416195 A)

**References**

**Limiting references**

*This place does not cover:*

Peeling fruit and removing seed-containing sections for coring fruit	<a href="#">A23N 7/08</a>
Domestic devices for stoning fruit	<a href="#">A47J 23/00</a>
Domestic devices for coring fruit	<a href="#">A47J 25/00</a>

**Informative references**

*Attention is drawn to the following places, which may be of interest for search:*

Peeling fruit and removing seed-containing sections	<a href="#">A23N 7/08</a>
---	---------------------------

For household appliances	<a href="#">B26B</a>
Details of apparatus for cutting, cutting-out, stamping-out, punching, perforating, or severing by means other than cutting	<a href="#">B26D 7/00</a>

## A23N 5/00

Machines for hulling, husking or cracking nuts {(household nutcrackers [A47J 43/26](#))}

### Definition statement

*This place covers:*

Machines for hulling, husking or cracking nuts in bulk, or on an industrial scale

### References

#### Limiting references

*This place does not cover:*

Household nutcrackers	<a href="#">A47J 43/26</a>
-----------------------	----------------------------

## A23N 5/004

{for palmnuts ([A23N 5/002](#) and [A23N 5/08](#) take precedence)}

### Definition statement

*This place covers:*

Machines for hulling, husking or cracking of in particular palmnuts in bulk, or on an industrial scale

### References

#### Limiting references

*This place does not cover:*

Machines for skinning nut kernels	<a href="#">A23N 5/002</a>
Machines for removing fleshy or fibrous hulls of nuts	<a href="#">A23N 5/08</a>
Household nutcrackers	<a href="#">A47J 43/26</a>

## A23N 5/006

{for chestnuts ([A23N 5/002](#) and [A23N 5/08](#) take precedence)}

### Definition statement

*This place covers:*

Machines for hulling, husking or cracking chestnuts in bulk, or on an industrial scale



**References****Limiting references***This place does not cover:*

Machines for skinning nut kernels	<a href="#">A23N 5/002</a>
Machines for removing fleshy or fibrous hulls of nuts	<a href="#">A23N 5/08</a>
Household nutcrackers	<a href="#">A47J 43/26</a>

**A23N 5/008****{for almonds ([A23N 5/002](#) and [A23N 5/08](#) take precedence)}****Definition statement***This place covers:*

Machines for hulling, husking for almonds etc. in bulk, or on an industrial scale

**References****Limiting references***This place does not cover:*

Machines for skinning nut kernels	<a href="#">A23N 5/002</a>
Machines for removing fleshy or fibrous hulls of nuts	<a href="#">A23N 5/08</a>
Household nutcrackers	<a href="#">A47J 43/26</a>

**Special rules of classification**

other nuts with like processes: cashew nuts

**A23N 5/08****for removing fleshy or fibrous hulls of nuts (for peanuts [A23N 5/01](#))****Definition statement***This place covers:*

Machines for removing fleshy or fibrous hulls of nuts in bulk or on an industrial scale

**References****Limiting references***This place does not cover:*

Stoning of fruit in general	<a href="#">A23N 4/02</a>
Machines for removing the hull from peanuts	<a href="#">A23N 5/01</a>

## A23N 7/00

Peeling vegetables or fruit (devices for skinning onions [A23N 15/08](#); {peeling by non-mechanical means [A23P](#)}; peeling machines of the household type [A47J 17/00](#))

### Definition statement

*This place covers:*

Machines for peeling vegetables or fruit in bulk, or on an industrial scale

### References

#### Limiting references

*This place does not cover:*

Devices for skinning onions	<a href="#">A23N 15/08</a>
Peeling by non-mechanical means	<a href="#">A23P</a>
Peeling machines of the household type	<a href="#">A47J 17/00</a>

#### Informative references

*Attention is drawn to the following places, which may be of interest for search:*

Splitting layers from work by peeling off	<a href="#">B26D 3/28</a>
---	---------------------------

### Synonyms and Keywords

Peel	outer skin of fruit and vegetables
------	------------------------------------

## A23N 7/002

{Peeling pineapples ([A23N 7/005](#) and [A23N 7/01](#) take precedence)}

### Definition statement

*This place covers:*

Machines for peeling pineapples, in bulk, or on an industrial scale

### References

#### Limiting references

*This place does not cover:*

Peeling machines of the household type	<a href="#">A47J 17/00</a>
--	----------------------------

#### Informative references

*Attention is drawn to the following places, which may be of interest for search:*

Peeling with steam	<a href="#">A23N 7/005</a>
Peeling using chemical substances, e.g.lye	<a href="#">A23N 7/01</a>

## A23N 7/02

Peeling potatoes, apples or similarly shaped vegetables or fruit ([A23N 7/005](#) and} [A23N 7/01](#) take precedence)

### Definition statement

*This place covers:*

Machines for peeling potatoes, apples or similarly shaped vegetables or fruit in bulk, or on an industrial scale

### References

#### Limiting references

*This place does not cover:*

Peeling machines of the household type	<a href="#">A47J 17/00</a>
--	----------------------------

#### Informative references

*Attention is drawn to the following places, which may be of interest for search:*

Peeling with steam	<a href="#">A23N 7/005</a>
Peeling using chemical substances, e.g.lye	<a href="#">A23N 7/01</a>
Cutting of fruit	<a href="#">B26D 3/26</a>

## A23N 7/04

Peeling asparagus (}{[A23N 7/005](#) and} [A23N 7/01](#) take precedence)

### Definition statement

*This place covers:*

Machines for peeling asparagus in bulk, or on an industrial scale

### References

#### Limiting references

*This place does not cover:*

Peeling with steam	<a href="#">A23N 7/005</a>
Peeling using chemical substances, e.g.lye	<a href="#">A23N 7/01</a>
Peeling machines of the household type	<a href="#">A47J 17/00</a>

#### Informative references

*Attention is drawn to the following places, which may be of interest for search:*

Cutting of fruit	<a href="#">B26D 3/26</a>
------------------	---------------------------

## A23N 7/10

### Driving mechanisms

#### Definition statement

*This place covers:*

Driving mechanisms used in machines for peeling vegetables or fruit in bulk, or on an industrial scale

#### Relationships with other classification places

Cutting devices in general [B26D](#)

#### References

##### Limiting references

*This place does not cover:*

Peeling machines of the household type	<a href="#">A47J 17/00</a>
--	----------------------------

## A23N 11/00

### Removing pith from stems

#### Definition statement

*This place covers:*

Apparatus for removing pith from stems

#### References

##### Limiting references

*This place does not cover:*

Coring of fruit or vegetables	<a href="#">A23N 4/12</a>
-------------------------------	---------------------------

### Glossary of terms

*In this place, the following terms or expressions are used with the meaning indicated:*

Pith	The soft internal tissue of a plant part; esp. a central cylinder of parenchyma in a stem or root
------	---

## A23N 12/00

Machines for cleaning, blanching, drying or roasting fruits or vegetables, e.g. coffee, cocoa, nuts (methods for treating, e.g. roasting, coffee or cocoa, [A23F](#), [A23G](#); cleaning, e.g. washing, or drying grain [B02B 1/00](#); separating solids from solids for cleaning [B07B](#); cleaning in general [B08B](#); heating devices per se, see the relevant classes, e.g. [F24](#); drying machines in general [F26B](#))

### Definition statement

*This place covers:*

Machines for cleaning, blanching, drying or roasting fruits or vegetables, e.g. coffee, cocoa, nuts in bulk, or on an industrial scale

### Relationships with other classification places

Devices and methods for treating, e.g. roasting, coffee or cocoa, [A23F](#), [A23G](#), as far as they also allow processing other matter of plant origin

### References

#### Informative references

*Attention is drawn to the following places, which may be of interest for search:*

Roasting, coffee or cocoa	<a href="#">A23F</a> , <a href="#">A23G</a>
Cleaning, e.g. washing, or drying grain	<a href="#">B02B 1/00</a>
Separating solids from solids for cleaning	<a href="#">B07B</a>
Cleaning in general	<a href="#">B08B</a>
Heating devices per se, see the relevant classes	<a href="#">F24</a>
Drying machines in general	<a href="#">F26B</a>

## A23N 12/02

for washing or blanching ([A23N 12/06](#) takes precedence; blanching methods [A23B 7/06](#))

### Definition statement

*This place covers:*

Machines for washing or blanching fruits or vegetables on an industrial scale; with or without washing aids, such as brushes etc.

### References

#### Limiting references

*This place does not cover:*

Combined with subsequent drying	<a href="#">A23N 12/06</a>
Domestic devices for washing vegetables or the like	<a href="#">A47J 43/24</a>
Washing grain	<a href="#">B02B 1/04</a>

**Informative references**

Attention is drawn to the following places, which may be of interest for search:

Blanching methods	<a href="#">A23B 7/06</a>
Washing granular, powdered or lumpy materials or wet separating in general	<a href="#">B03B 5/00</a>

**A23N 12/04****for blanching****Definition statement**

*This place covers:*

Machines for blanching (exclusively)

**Relationships with other classification places**

Documents relating to blanching methods in [A23B 7/06](#) may also comprise claims to blanching machines

**References****Limiting references**

*This place does not cover:*

Blanching methods as such	<a href="#">A23B 7/06</a>
---------------------------	---------------------------

**Glossary of terms**

*In this place, the following terms or expressions are used with the meaning indicated:*

Blanching	short term heating for inactivating enzymes, removing gas inclusions, etc.
-----------	--

**Synonyms and Keywords**

Inactivating	de-activating, de-naturing
--------------	----------------------------

**A23N 12/08****for drying or roasting ([A23N 12/06](#) takes precedence)****Definition statement**

*This place covers:*

Machines for drying or roasting of fruit and vegetables in bulk, or on an industrial scale

**References****Limiting references**

*This place does not cover:*

Machines for washing or blanching, combined with subsequent drying	<a href="#">A23N 12/06</a>
--	----------------------------

Beverage-making apparatus with incorporated grinding or roasting means for coffee	<a href="#">A47J 31/42</a>
Coffee mills combined with roasting devices	<a href="#">A47J 42/52</a>

### Informative references

Attention is drawn to the following places, which may be of interest for search:

Domestic devices for roasting	<a href="#">A47J 37/00</a>
-------------------------------	----------------------------

## A23N 15/00

**Machines or apparatus for other treatment of fruits or vegetables for human purposes; Machines or apparatus for topping or skinning flower bulbs {(treatment of coffee, other than drying or roasting [A23F](#); treatment of cocoa [A23G 1/02](#))}**

### References

#### Limiting references

This place does not cover:

Machines for processing fruit or vegetables, as defined therein	<a href="#">A23N 12/00</a>
Machines for treatment of cocoa	<a href="#">A23G 1/02</a>

### Informative references

Attention is drawn to the following places, which may be of interest for search:

Treatment of tea or coffee, other than drying or roasting	<a href="#">A23F</a>
---	----------------------

### Special rules of classification

Machines or apparatus for other treatment of fruits or vegetables for human purposes in bulk, or on an industrial scale, not provided for in other subclasses ([A23N 15/02](#) - [A23N 15/06](#));

Machines or apparatus for topping or skinning flower bulbs in bulk, or on an industrial scale ([A23N 15/08](#))

## A23N 15/02

**for stemming, piercing, or stripping fruit {(for household appliances [A47J 21/00](#))}; Removing sprouts of potatoes**

### Definition statement

This place covers:

Machines for stemming, piercing, or stripping fruit in bulk, or on an industrial scale; Removing sprouts of potatoes

## References

### Limiting references

*This place does not cover:*

Vintaging machines	<a href="#">A01D 46/28</a>
Household appliances for removing stalks	<a href="#">A47J 21/00</a>

### Informative references

*Attention is drawn to the following places, which may be of interest for search:*

Separating solids in general	<a href="#">B07B</a>
------------------------------	----------------------

## A23N 15/04

Devices for topping fruit or vegetables (topping onions [A23N 15/08](#))

### Definition statement

*This place covers:*

Devices for topping fruit or vegetables in bulk, or on an industrial scale

### Relationships with other classification places

Cutting in general [B26D](#)

## References

### Limiting references

*This place does not cover:*

Machines for topping onions	<a href="#">A23N 15/08</a>
-----------------------------	----------------------------

### Informative references

*Attention is drawn to the following places, which may be of interest for search:*

Cutting fruit or vegetables in general	<a href="#">B26D 3/26</a>
--	---------------------------

## A23N 15/06

Devices for other treatment of fruit, e.g. marking, maturing, polishing

### Definition statement

*This place covers:*

Devices for other post-harvest treatment of fruit e.g. marking, maturing, polishing in bulk, or on an industrial scale



## References

### Limiting references

*This place does not cover:*

Machines for other processing fruit or vegetables, as defined therein	<a href="#">A23N 15/00</a> - <a href="#">A23N 15/04</a> ; <a href="#">A23N 15/08</a> - <a href="#">A23N 15/10</a>
---	---

## Special rules of classification

Only to be used when none of the other classes in [A23N](#), [A01D](#) applies, and the document is directed to processing fruit or vegetables only

## Glossary of terms

*In this place, the following terms or expressions are used with the meaning indicated:*

polishing	providing the surface with a smoother and, if possible, shiny appearance, in particular by polishing aids such as cloths etc.
-----------	---

## A23N 15/08

### Devices for topping or skinning onions or flower bulbs

#### Definition statement

*This place covers:*

Devices for topping or skinning onions or flower bulbs in bulk, or on an industrial scale

#### Relationships with other classification places

Cutting in general [B26D](#)

## References

### Informative references

*Attention is drawn to the following places, which may be of interest for search:*

Topping fruit or vegetables in general	<a href="#">A23N 15/04</a>
Cutting fruit or vegetables in general	<a href="#">B26D 3/26</a>

## A23N 15/10

### for shelling peas or beans

#### Definition statement

*This place covers:*

Devices for shelling peas or beans

#### Relationships with other classification places

Combine harvesters: [A01D 41/00](#), may comprise shelling devices

## References

### Limiting references

*This place does not cover:*

Apparatus for shelling peanuts	<a href="#">A23N 5/01</a>
--------------------------------	---------------------------

### Informative references

*Attention is drawn to the following places, which may be of interest for search:*

Apparatus for shelling of nuts	<a href="#">A23N 5/00</a>
--------------------------------	---------------------------

## A23N 17/00

**Apparatus specially adapted for preparing animal feeding-stuffs {(automatic devices for the distribution of liquid fodder for stock or game [A01K 5/0216](#); sucking apparatus for young stock [A01K 9/00](#))}**

### Definition statement

*This place covers:*

Apparatus specially adapted for preparing animal feeding-stuffs in bulk, or on industrial scale

### Relationships with other classification places

apparatus for working or shaping of foodstuff in general: [A23P](#)

## References

### Limiting references

*This place does not cover:*

Preparation methods for animal feeding-stuffs, and their products:	<a href="#">A23K</a>
--	----------------------

### Informative references

*Attention is drawn to the following places, which may be of interest for search:*

Automatic devices for the distribution of liquid fodder for stock or game	<a href="#">A01K 5/0216</a>
Sucking apparatus for young stock	<a href="#">A01K 9/00</a>

## A23N 17/001

**{by treating with chemicals, e.g. ammoniac, sodium hydroxide (processes [A23K 10/32](#))}**

### Definition statement

*This place covers:*

Apparatus specially adapted for preparing animal feeding-stuffs in bulk, by treating with chemicals, e.g. ammoniac, sodium hydroxide

## References

### Informative references

Attention is drawn to the following places, which may be of interest for search:

Related processes	<a href="#">A23K 10/32</a> - <a href="#">A23K 20/30</a> , <a href="#">A23K 50/00</a> - <a href="#">A23K 50/90</a>
-------------------	--

## A23N 17/002

{for treating of meat, fish waste or the like}

### Definition statement

*This place covers:*

Apparatus specially adapted for treating of meat, fish waste or the like for preparing animal feeding-stuffs in bulk

### Relationships with other classification places

Apparatus for processing meat, fish etc. for human consumption: [A22C](#)

## References

### Limiting references

*This place does not cover:*

Animal feeding stuffs from meat, fish or bones	<a href="#">A23K 10/20</a> - <a href="#">A23K 10/26</a>
--	---

## A23N 17/004

{for treating by application of heat, e.g. by means of potato cookers (drying [F26B](#))}

### Definition statement

*This place covers:*

Apparatus specially adapted for preparing animal feeding-stuffs with treating by application of heat, e.g. by means of potato cookers

## References

### Limiting references

*This place does not cover:*

Preservation of materials to produce animal feeding-stuffs	<a href="#">A23K 30/00</a>
--	----------------------------

### Informative references

Attention is drawn to the following places, which may be of interest for search:

Drying and roasting of fruit or vegetables	<a href="#">A23N 12/08</a>
Drying apparatus in general	<a href="#">F26B</a>

**A23N 17/005**

{for shaping by moulding, extrusion, pressing, e.g. pellet-mills (processes [A23K 40/00](#); presses in general [B30B](#))}

**Definition statement**

*This place covers:*

Apparatus specially adapted for preparing animal feeding-stuffs with shaping by moulding, extrusion, pressing, e.g. pellet-mills

**References****Limiting references**

*This place does not cover:*

Processes for shaping animal foods and their products	<a href="#">A23K 40/00</a>
---	----------------------------

**Informative references**

*Attention is drawn to the following places, which may be of interest for search:*

Apparatus for shaping or moulding of foodstuff in general	<a href="#">A23P 30/00</a>
Shaping of materials in general:	<a href="#">B29C</a>
Presses in general	<a href="#">B30B</a>

**A23N 17/007**

{for mixing feeding-stuff components}

**Definition statement**

*This place covers:*

Apparatus specially adapted for mixing feeding-stuff components in bulk

**References****Limiting references**

*This place does not cover:*

Fodder distributors with mixers or shredders	<a href="#">A01K 5/001</a>
--	----------------------------

**Informative references**

*Attention is drawn to the following places, which may be of interest for search:*

Mixing in general	<a href="#">B01F</a>
-------------------	----------------------

**A23N 17/02**

**Fodder mashers (household implements for mashing potatoes or other foodstuffs [A47J 19/04](#))**

**Definition statement**

*This place covers:*

Fodder mashers for producing animal foodstuffs in bulk, e.g. in industrial scale

**References****Limiting references**

*This place does not cover:*

Household implements for mashing potatoes or other foodstuffs	<a href="#">A47J 19/04</a>
---	----------------------------

**Informative references**

*Attention is drawn to the following places, which may be of interest for search:*

Crushing or disintegrating in general	<a href="#">B02C</a>
---------------------------------------	----------------------