

## A41F

### GARMENT FASTENINGS; SUSPENDERS

#### Special rules of classification

Machines, appliances or methods for making a particular article of apparel should be classified in the relevant group for the machine, appliance or method concerned in [A41H](#) and also as additional information with the relevant symbol of the particular article of apparel concerned in [A41B](#) - [A41F](#).

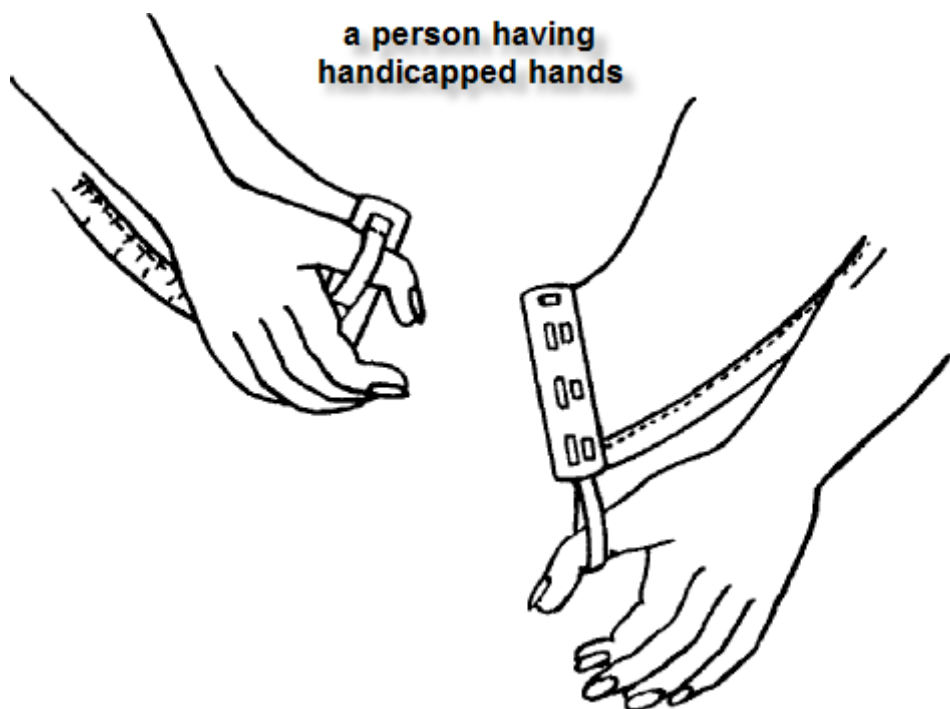
#### A41F 1/00

Fastening devices specially adapted for garments {(for pairing socks [A41B 11/002](#); for fur garments [A41D 5/006](#))}

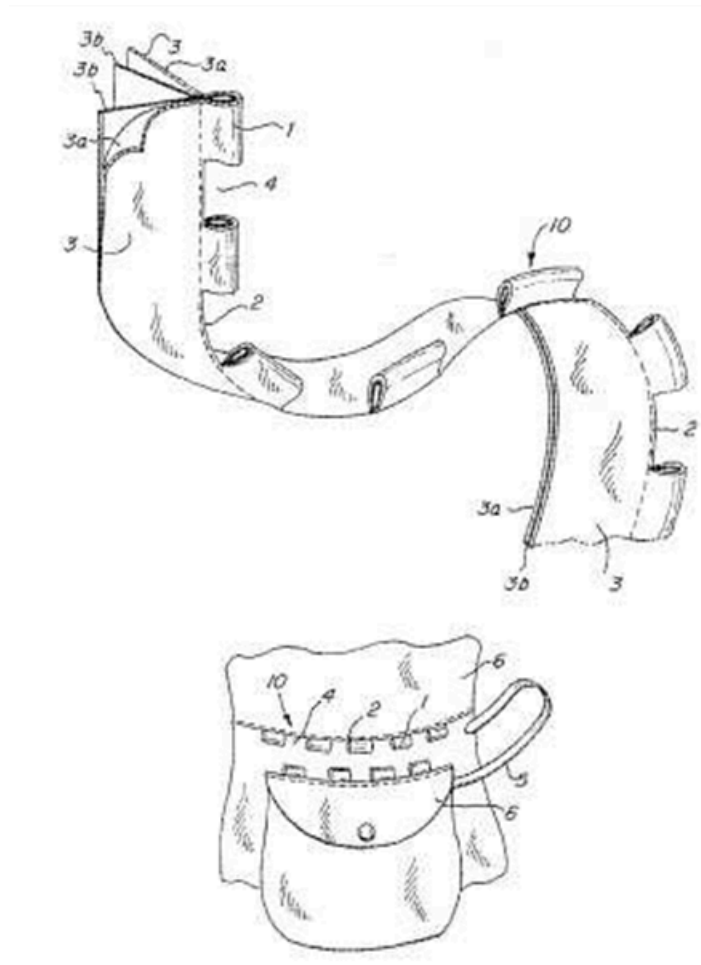
#### Definition statement

*This place covers:*

Illustrative example of subject matter classified in this group.



Illustrative example 2: Flexible hinge connector



## References

### Limiting references

*This place does not cover:*

For pairing socks	<a href="#">A41B 11/002</a>
For fur garments	<a href="#">A41D 5/006</a>

### Informative references

*Attention is drawn to the following places, which may be of interest for search:*

Fastening cuffs to shirts	<a href="#">A41B 7/04</a>
Fastening shirt cuffs to sleeves of jackets	<a href="#">A41B 7/06</a>
Fastening devices in general	<a href="#">A44B</a>
Straps, bands	<a href="#">A45C 13/30</a>
Carrying straps around neck	<a href="#">A45F 2003/002</a>
Carrying straps around waist	<a href="#">A45F 3/005</a>
Carrying straps	<a href="#">A45F 3/14</a>
Carriers for hand articles	<a href="#">A45F 5/00</a>

Fastening articles to the garment	<a href="#">A45F 5/02</a>
Carriers for holding garments	<a href="#">A45F 5/06</a>
Garment bags	<a href="#">A47G 25/54</a>
Orthopaedic slings, straps for holding arms	<a href="#">A61F 5/3746</a>
For babies' napkins	<a href="#">A61F 13/56</a>
Packaging for clothing	<a href="#">B65D 85/18</a>
Training garments for manipulating fasteners	<a href="#">G09B 25/00</a>
Supports for musical instruments, straps	<a href="#">G10G 5/005</a>

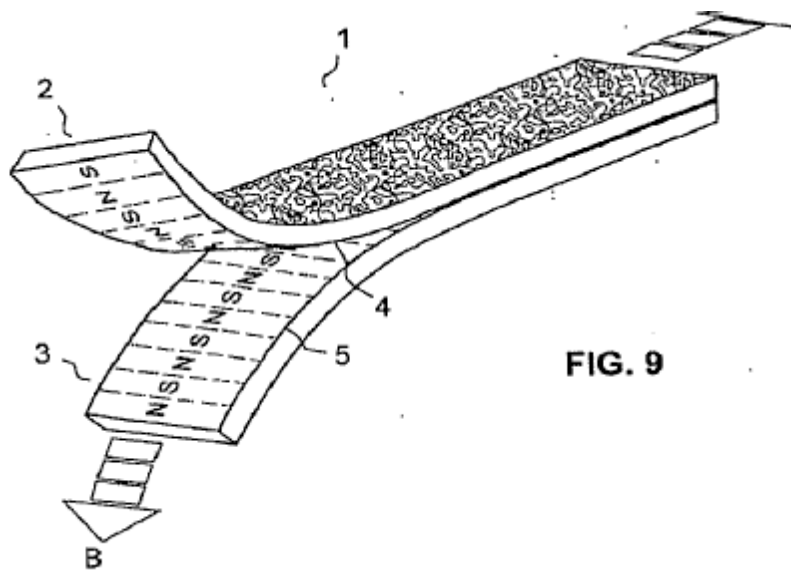
**A41F 1/002**

**{Magnetic fastening devices}**

**Definition statement**

*This place covers:*

Illustrative example of subject matter classified in this group.



**FIG. 9**

**References**

**Limiting references**

*This place does not cover:*

Magnetic fastening for accessories	<a href="#">A45C 13/1069</a>
------------------------------------	------------------------------

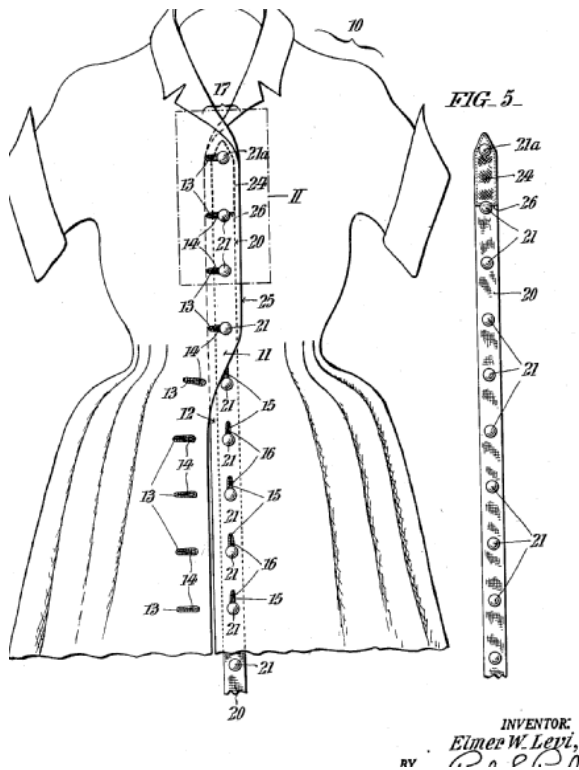
## A41F 1/004

{Strips of buttons}

### Definition statement

This place covers:

Illustrative example of subject matter classified in this group.



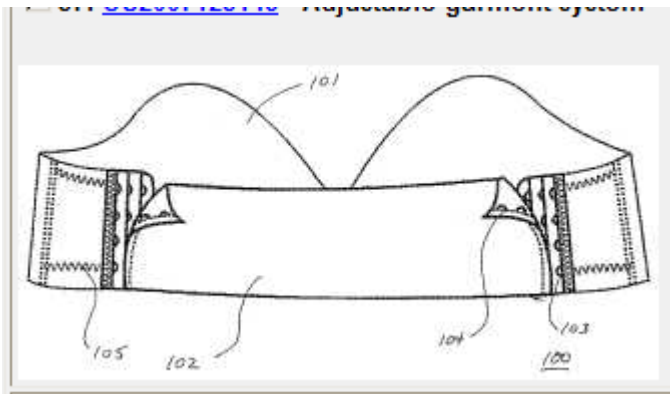
## A41F 1/006

{Brassière fasteners}

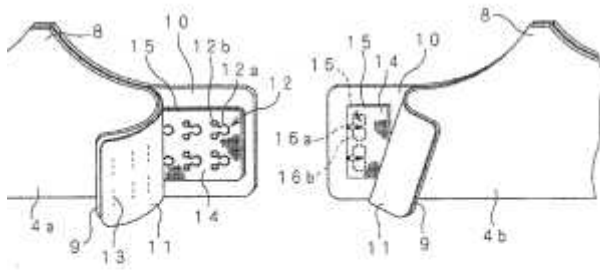
### Definition statement

This place covers:

Illustrative example of subject matter classified in this group.



Definition statement



### Special rules of classification

Comprises only back fasteners of brassieres.

For front fastening of brassieres class only in [A41C 3/02](#).

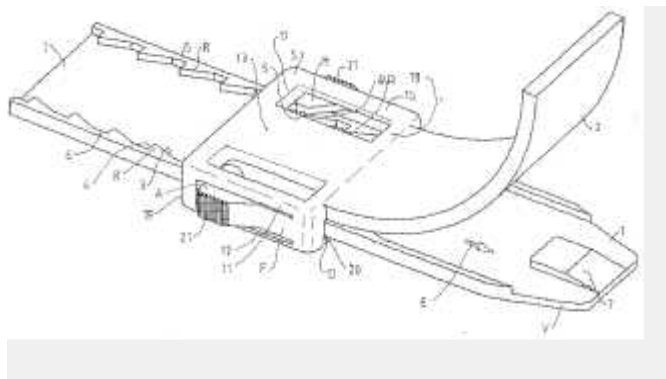
### A41F 1/008

{Adjustable fasteners comprising a track and a slide member (expandable or adjustable belts or girdles [A41F 9/02](#))}

### Definition statement

*This place covers:*

Illustrative example of subject matter classified in this group.



### References

#### Limiting references

*This place does not cover:*

Expandable or adjustable belts or girdles	<a href="#">A41F 9/02</a>
---	---------------------------

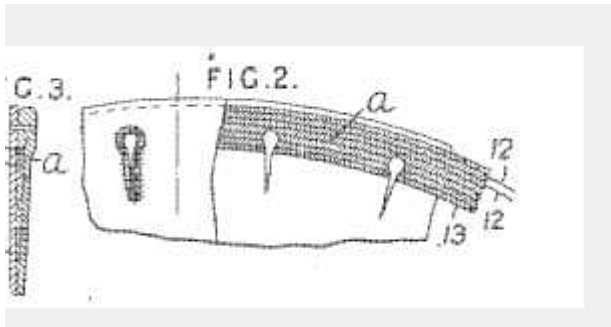
## A41F 1/02

### Buttonholes; Eyelets for buttonholes

#### Definition statement

*This place covers:*

Illustrative example of subject matter classified in this group.



## A41F 1/04

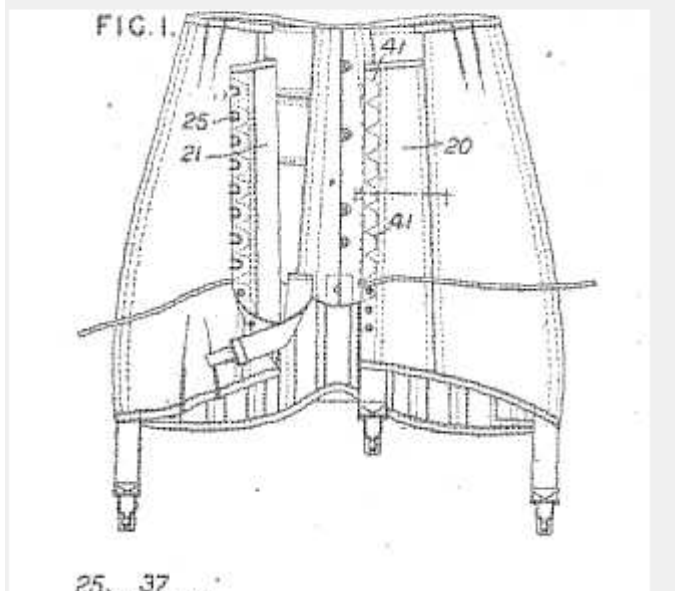
### Corset fasteners

#### Definition statement

*This place covers:*

Illustrative example of subject matter classified in this group.

62. [GB560999](#) - Improvements relating to closures for corsets and similar garments



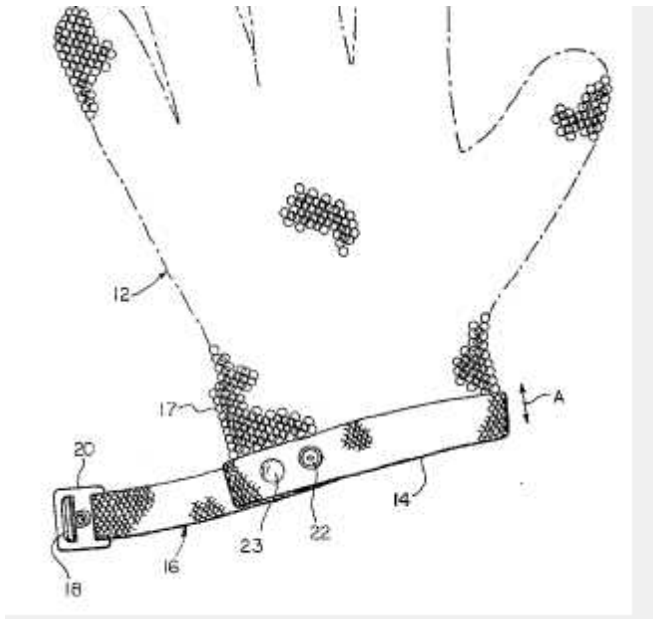
## A41F 1/06

### Glove fasteners

#### Definition statement

*This place covers:*

Illustrative example of subject matter classified in this group.



#### Special rules of classification

For fastening glove in cuff area (but not to another garment), class only in [A41F 1/06](#) and [A41D 19/0048](#).

For fastening glove in other area, class only in [A41F 1/06](#).

For fastening glove to another garment class in [A41D 19/0041](#).

## A41F 1/08

### Garter fasteners

#### Special rules of classification

Not used, class in [A41F 11/00](#).

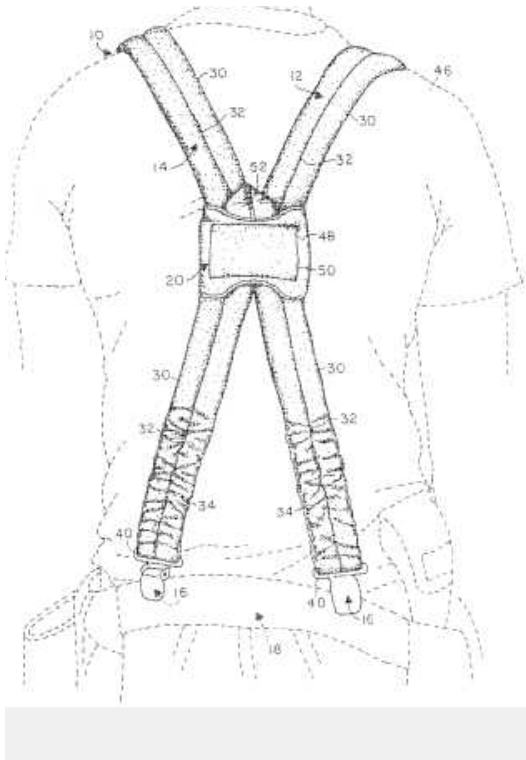
## A41F 3/00

### Braces

#### Definition statement

*This place covers:*

Illustrative example of subject matter classified in this group.



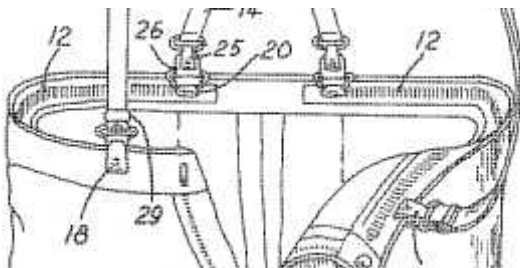
## A41F 3/02

### Strips, tongues, or the like, for attaching to the trousers

#### Definition statement

*This place covers:*

Illustrative example of subject matter classified in this group.





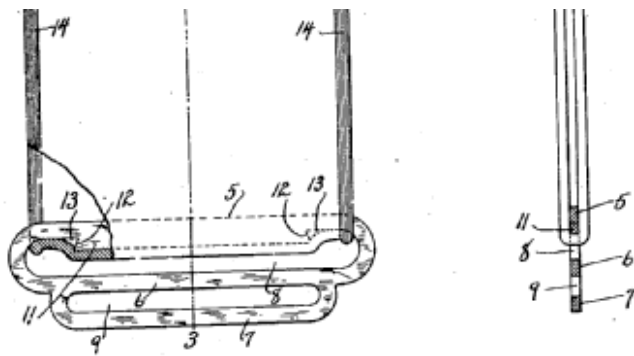
**A41F 3/04**

**Means for joining the strips, tongues, or the like, to the body of the braces**

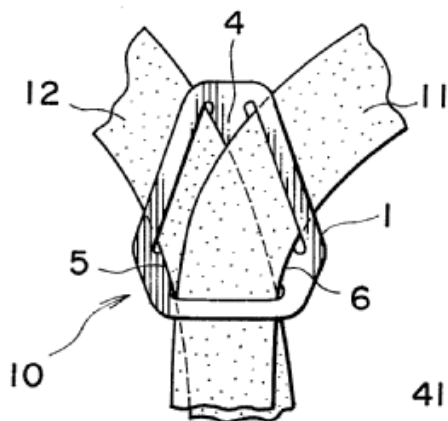
**Definition statement**

*This place covers:*

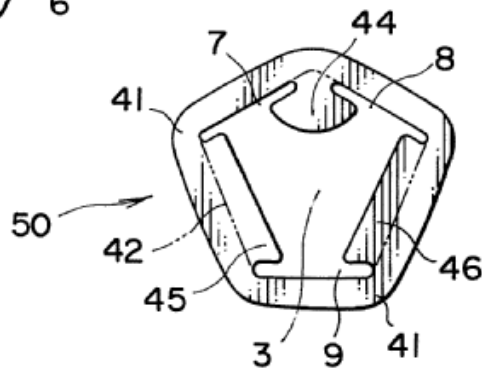
Illustrative example of subject matter classified in this group.



*Inventor.*  
*Jerome R. La Vigne*  
*Sydney Carl Nichols*  
*Attys*

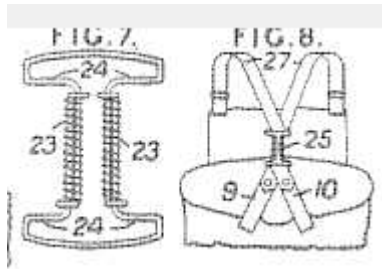


**FIG. 4**

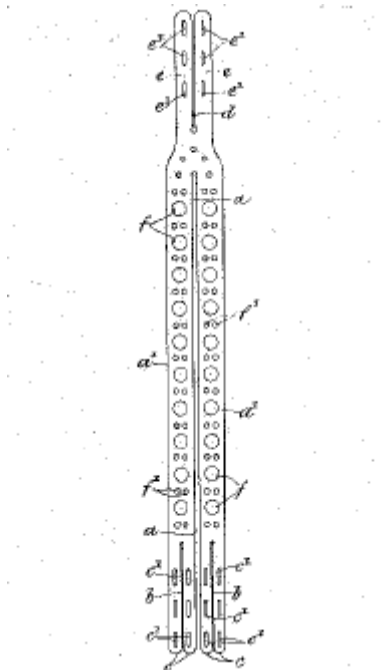


**A41F 3/045****{using springs}****Definition statement***This place covers:*

Illustrative example of subject matter classified in this group.

**A41F 3/06****Means for rendering braces pliable; Elastic elements for braces; Braces completely made of rubber****Definition statement***This place covers:*

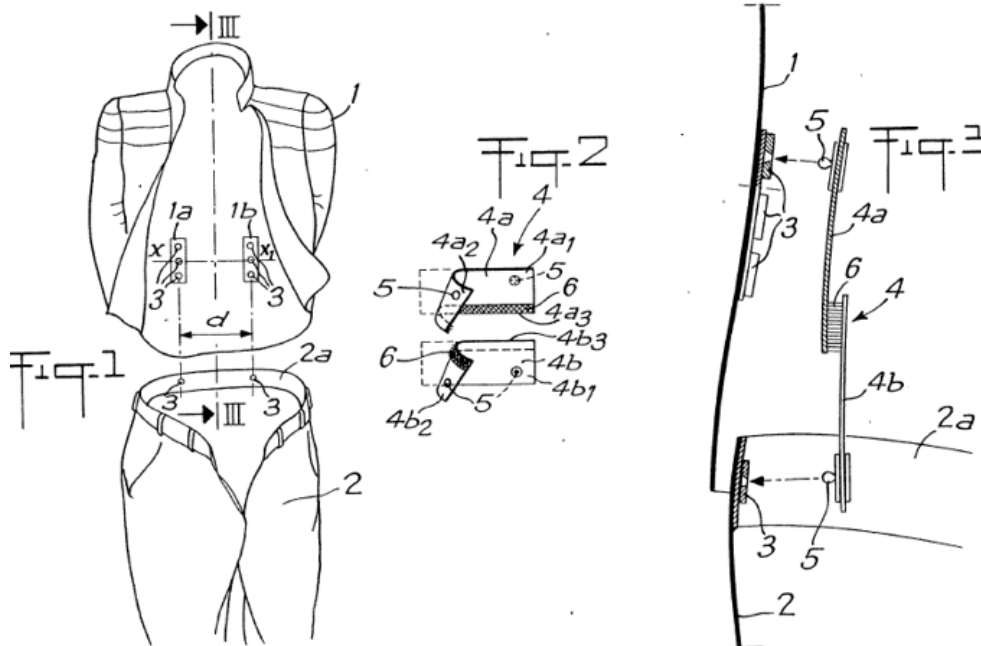
Illustrative example of subject matter classified in this group.



**A41F 5/00****Trouser supports attached to the shirt, waistcoat, or the like****Definition statement**

*This place covers:*

Illustrative example of subject matter classified in this group.

**References****Informative references**

Attention is drawn to the following places, which may be of interest for search:

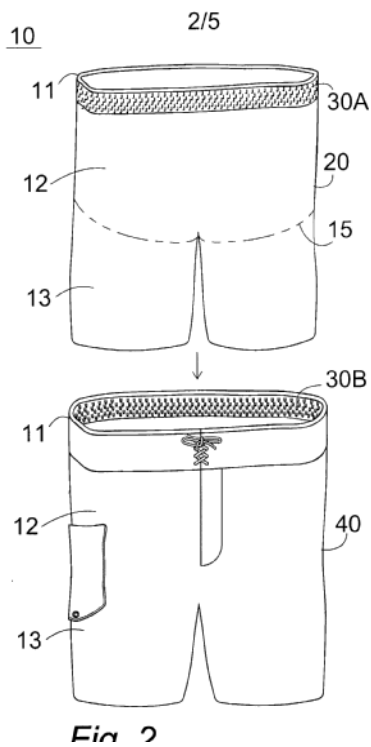
Shirts exchangeably attached to underbodies, drawers
--

<a href="#">A41B 1/06</a>
---------------------------

**A41F 7/00****Devices for connecting underpants to trousers****Definition statement**

*This place covers:*

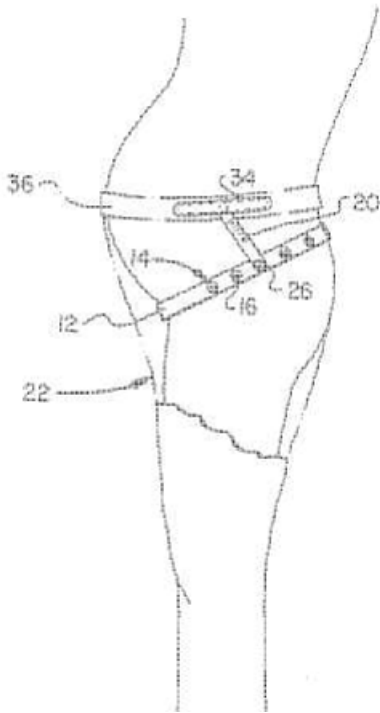
Illustrative example of subject matter classified in this group.

**A41F 9/00****Belts, girdles, or waistbands for trousers or skirts****Definition statement**

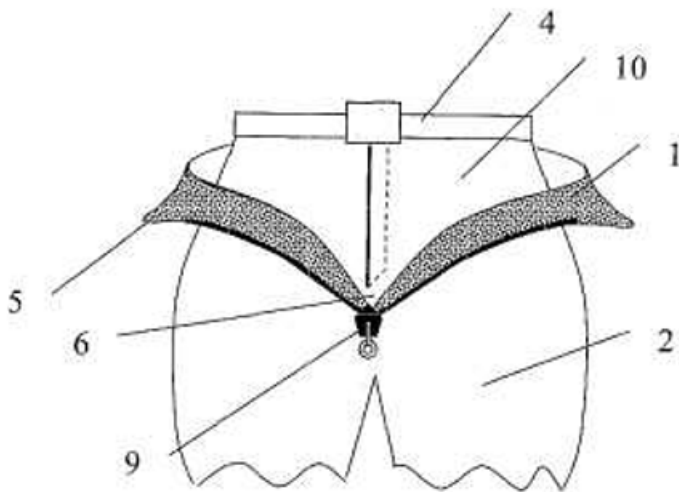
*This place covers:*

Illustrative example of subject matter classified in this group.

Illustrative example 1: Trouser support system



Illustrative example 2: Waist decorative cloth element



## References

### Informative references

Attention is drawn to the following places, which may be of interest for search:

Garter belts for stockings	<a href="#">A41F 11/00</a>
Waistbands forming part of undergarments	<a href="#">A41B 9/14</a>

### Special rules of classification

When girdle is used to support trouser or skirt, classify in [A41F 9/00](#) and lower groups.

When girdle is used to shape body, classify in [A41C 1/00](#) and lower groups.

If girdle is further used to support stocking or socks, classify also in [A41F 11/00](#).

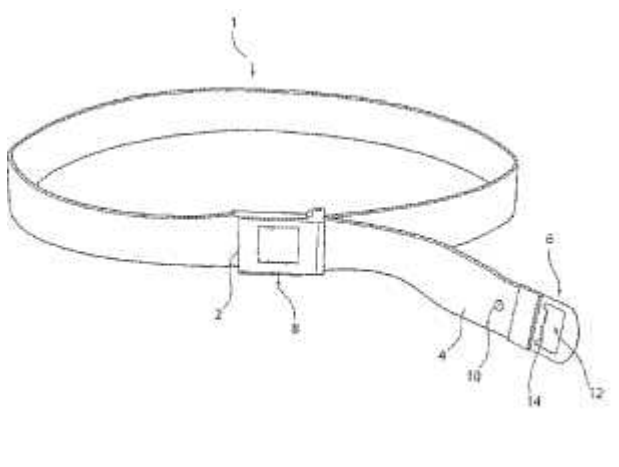
## A41F 9/002

### {Free belts}

#### Definition statement

*This place covers:*

Illustrative example of subject matter classified in this group.



#### References

##### Limiting references

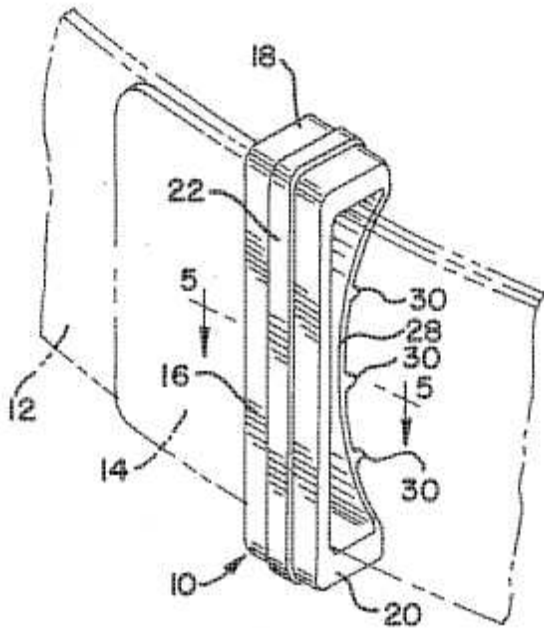
*This place does not cover:*

Dog's collars	<a href="#">A01K 27/00</a>
Workbelts to carry tools	<a href="#">B25H 3/00</a>
Belts to carry guns (police)	<a href="#">F41C 33/046</a>

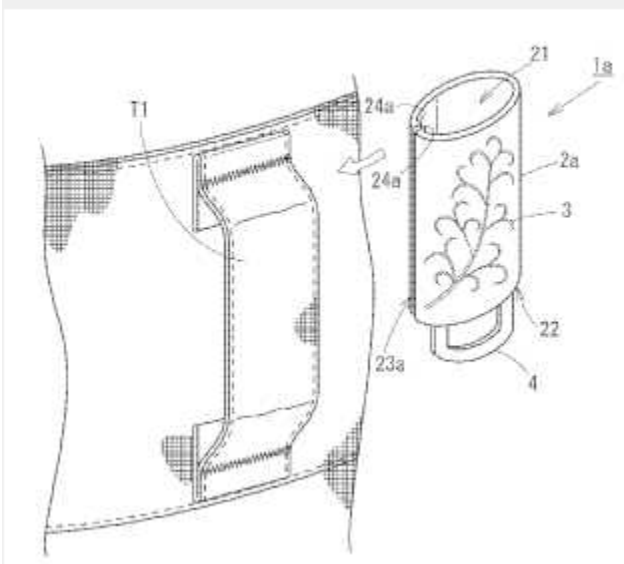
**A41F 9/007****{Belt loops}****Definition statement**

*This place covers:*

Illustrative example of subject matter classified in this group.



□ 12. [WO2007029477](#) - ORNAMENT



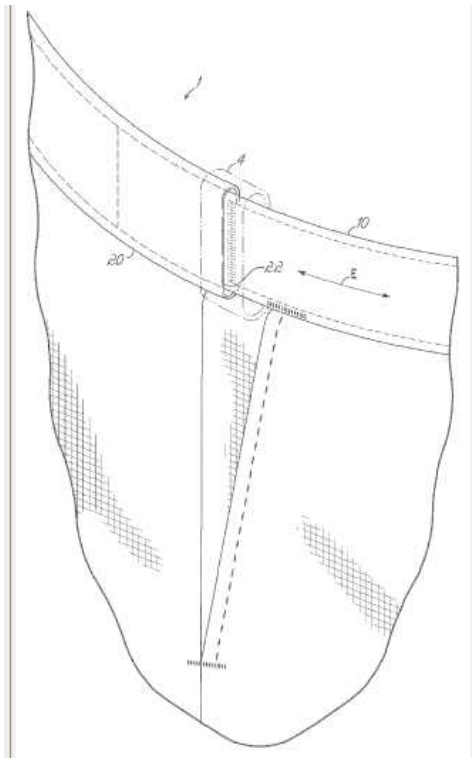
## A41F 9/02

**Expansible or adjustable belts or girdles {; Adjustable fasteners comprising a track and a slide member ([A41F 1/008](#), [A41F 9/002](#) take precedence)}**

### Definition statement

*This place covers:*

Illustrative example of subject matter classified in this group.



### References

#### Limiting references

*This place does not cover:*

Adjustable fasteners comprising a track and a slide member	<a href="#">A41F 1/008</a>
Free belts	<a href="#">A41F 9/002</a>

### Special rules of classification

When girdle is used to support trouser or skirt, class in [A41F 9/00](#) and lower groups.

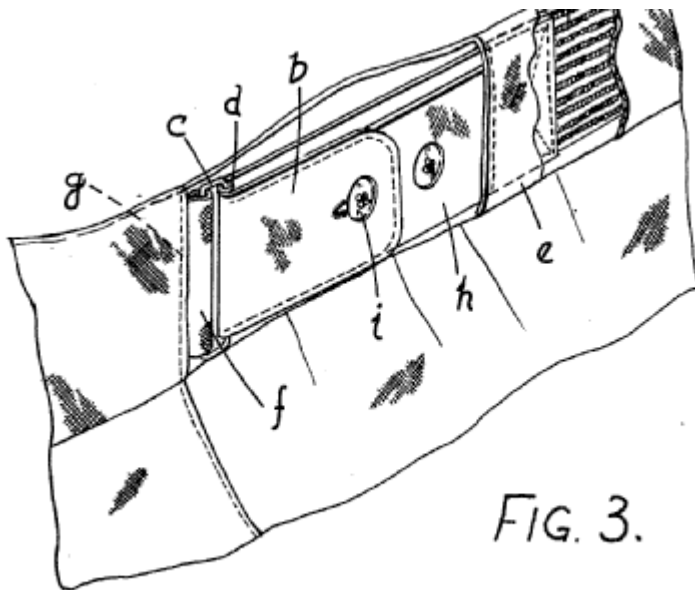
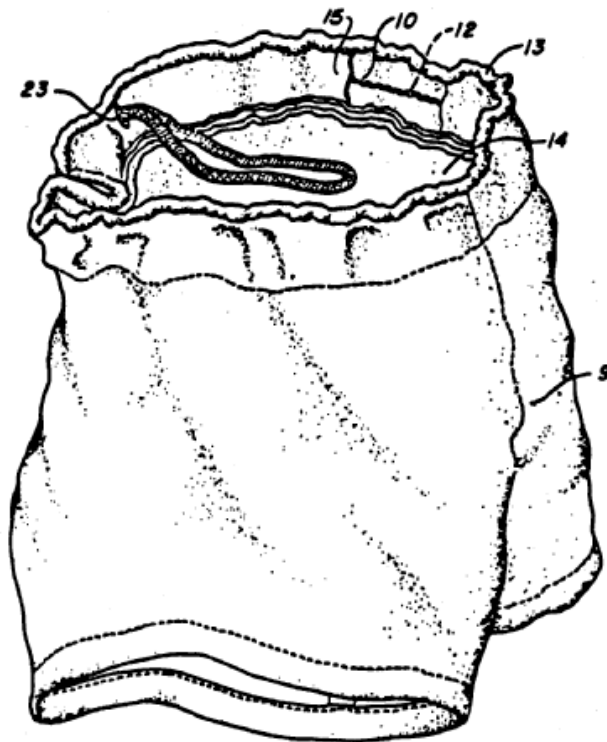
When girdle is used to shape body, class in [A41C 1/00](#) and lower groups.

If girdle is further used to support stocking or socks, class also in [A41F 11/00](#).



**A41F 9/025****{Adjustable belts or girdles}****Definition statement***This place covers:*

Illustrative example of subject matter classified in this group.

**Special rules of classification**

Comprises drawstrings inside pants.

When girdle is used to support trouser or skirt, class in [A41F 9/00](#) and lower groups.

When girdle is used to shape body, class in [A41C 1/00](#) and lower groups.

If girdle is further used to support stocking or socks, class also in [A41F 11/00](#).

For closures of garments using straps or ties (no drawstrings inside waist of pants), class in [A41D 2300/33](#).

## **A41F 11/00**

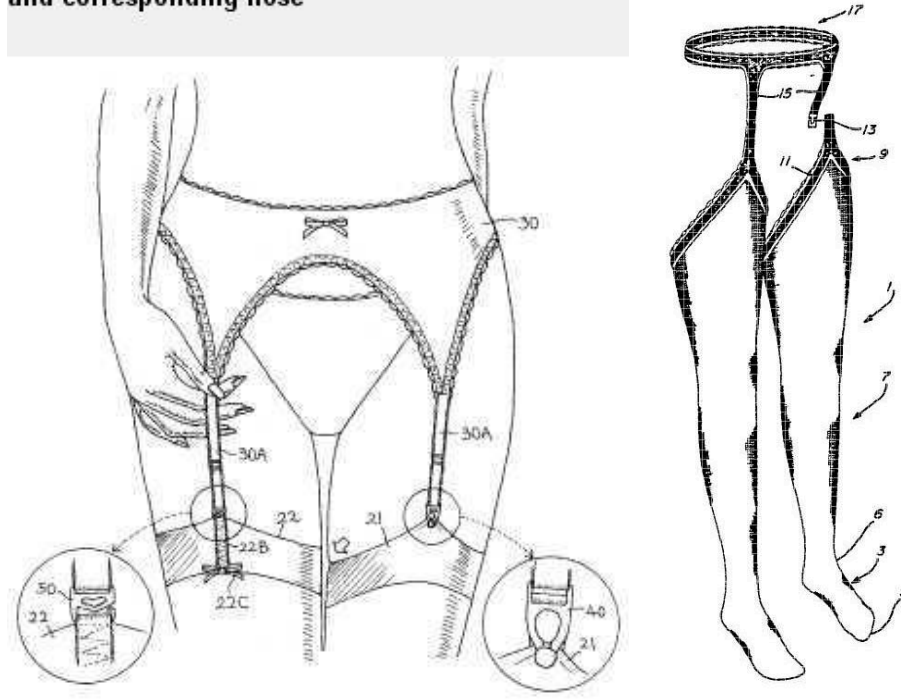
### **Stocking or sock suspenders**

#### **Definition statement**

*This place covers:*

Illustrative example of subject matter classified in this group.

□ 2. [US2010205721](#) - Hose-holding undergarment and corresponding hose □ 68. [EP0344921](#) - Ladies stockings.



#### **Special rules of classification**

When suspension done by a different device from the stocking, classify in [A41F 11/00](#) and lower groups.

When suspension is integral with stocking classify in [A41B 11/12](#) and lower groups.

When stocking is adapted to allow separate garter to fasten, class in [A41B 11/12](#) and [A41F 11/00](#) and lower groups and also as additional information in [A41B 11/12](#).

Comprises garter belts.

For stocking or socks supports other than suspenders, classify in [A41F 13/00](#).

If girdle is further used to support stocking or socks, classify also as additional information in [A41F 11/00](#).

When girdle is used to support trouser or skirt, classify in [A41F 9/00](#) and lower groups.

When girdle is used to shape body, classify in [A41C 1/00](#) and lower groups.

### **Glossary of terms**

*In this place, the following terms or expressions are used with the meaning indicated:*

Garter	A band worn round the leg, either above or below the knee, to keep the stocking from falling down.
Garter belt	A suspender-belt

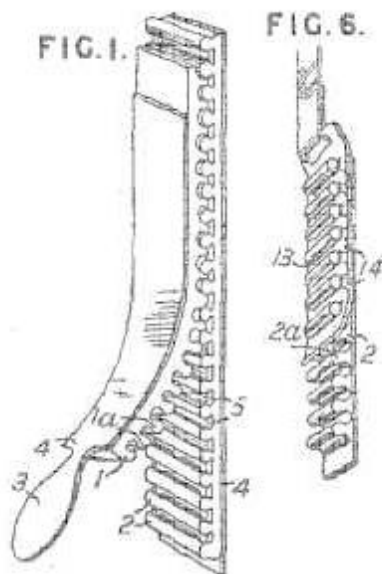
## **A41F 11/02**

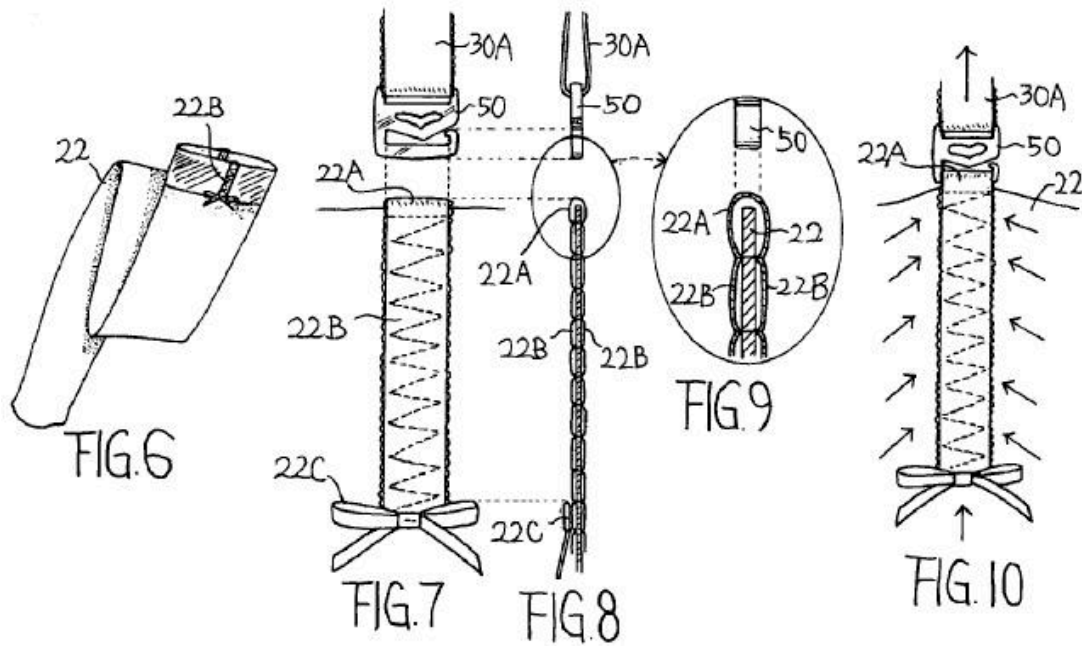
### **Devices for attaching the stocking or sock to the suspender**

#### **Definition statement**

*This place covers:*

Illustrative example of subject matter classified in this group.





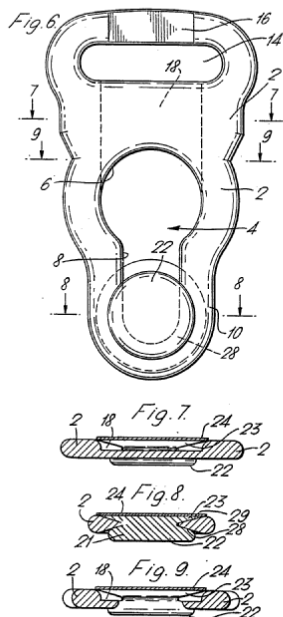
**A41F 11/04**  
**of the stud-and-loop type**

**Definition statement**

*This place covers:*

Illustrative example of subject matter classified in this group.

1155300 COMPLETE SPECIFICATION  
 3 SHEETS This drawing is a reproduction of  
 the Original on a reduced scale  
 Sheet 2



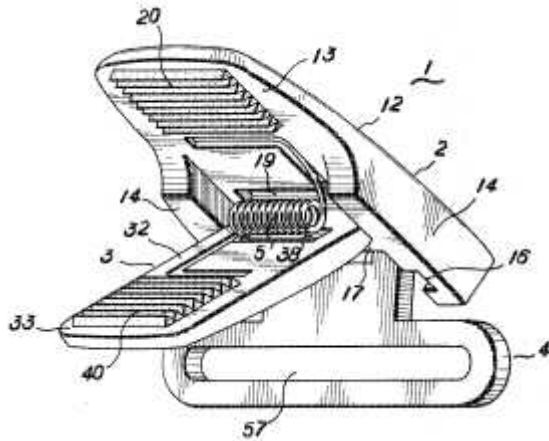
## A41F 11/06

### Pivoted-jaw clips

#### Definition statement

*This place covers:*

Illustrative example of subject matter classified in this group.



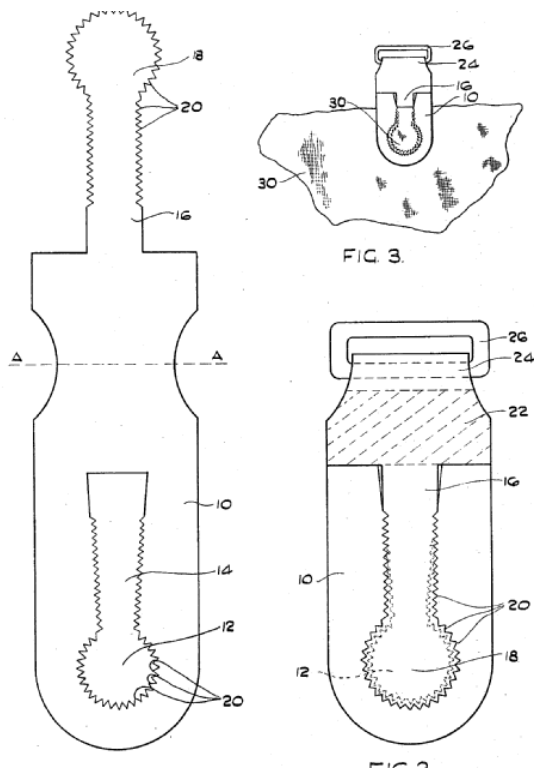
## A41F 11/08

### consisting of one part

#### Definition statement

*This place covers:*

Illustrative example of subject matter classified in this group.



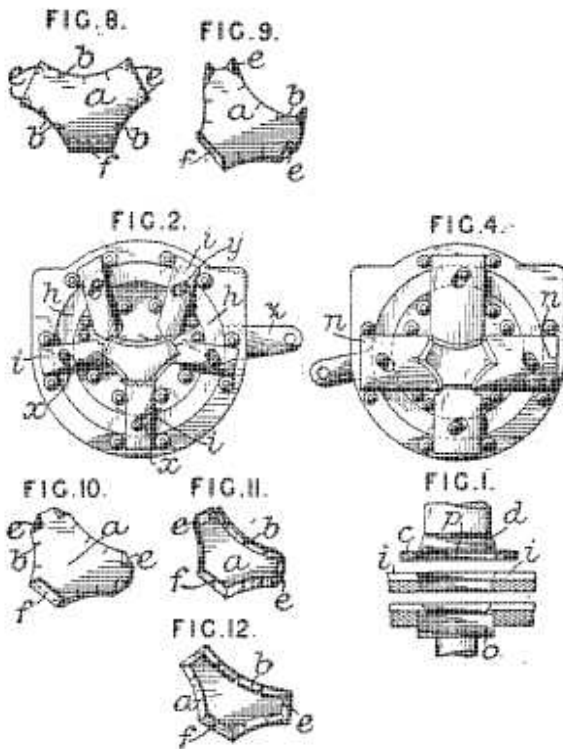
## A41F 11/10

### Shields or like intermediate members

#### Definition statement

*This place covers:*

Illustrative example of subject matter classified in this group.



## A41F 11/12

with devices for adjusting the length

### Definition statement

*This place covers:*

Illustrative example of subject matter classified in this group.

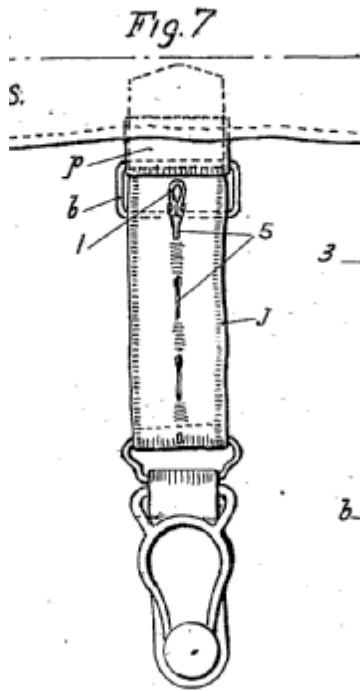


Fig. 8

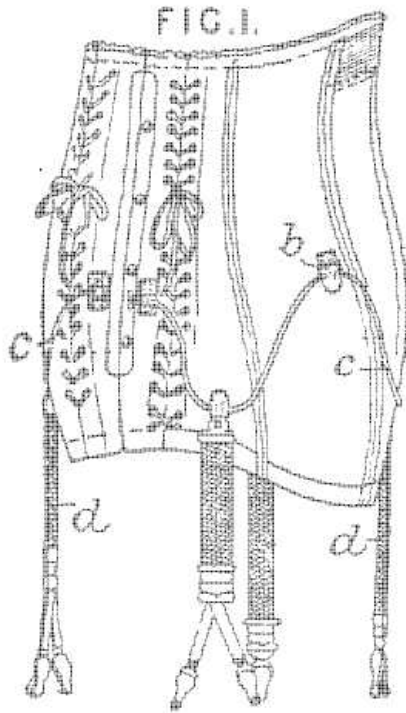
## A41F 11/14

Means for fastening the suspender to the garment, e.g. trousers, underpants

### Definition statement

*This place covers:*

Illustrative example of subject matter classified in this group.





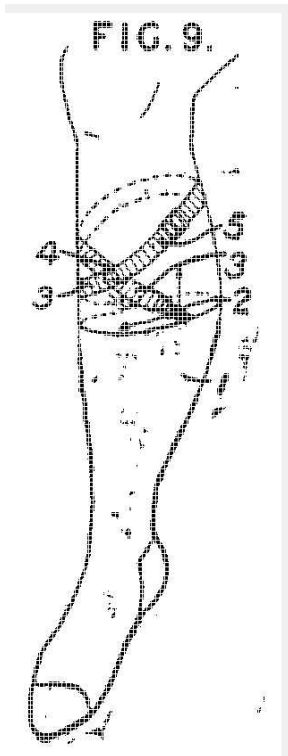
## A41F 11/16

### Garters

#### Definition statement

*This place covers:*

Illustrative example of subject matter classified in this group.



#### Special rules of classification

For garter belts class in [A41F 11/00](#).

#### Glossary of terms

*In this place, the following terms or expressions are used with the meaning indicated:*

Garter	A band worn round the leg, either above or below the knee, to keep the stocking from falling down.
Garter belt	A suspender-belt

## A41F 11/18

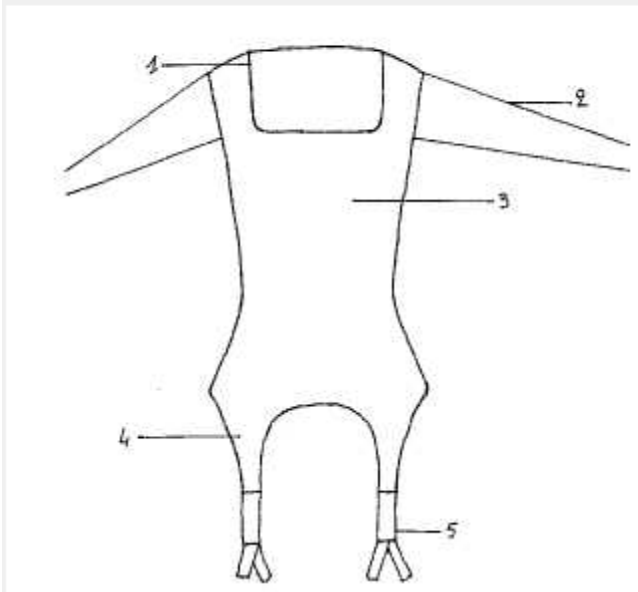
Means for fastening the stocking directly to the undergarment

### Definition statement

*This place covers:*

Illustrative example of subject matter classified in this group.

□ 8. [FR2738463](#) - (A3) Ladies garment combining body and suspender belt



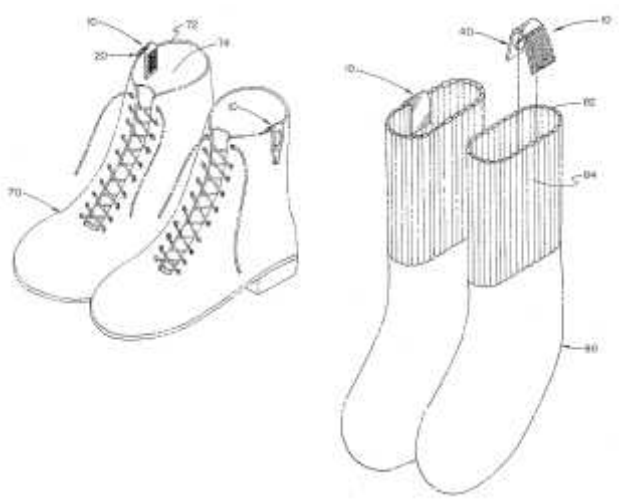
### Special rules of classification

Applies to overgarments also.

**A41F 13/00****Other devices for supporting or holding stockings or socks during wear****Definition statement**

*This place covers:*

Illustrative example of subject matter classified in this group.

**Special rules of classification**

Comprises stocking or sock supports other than suspenders.

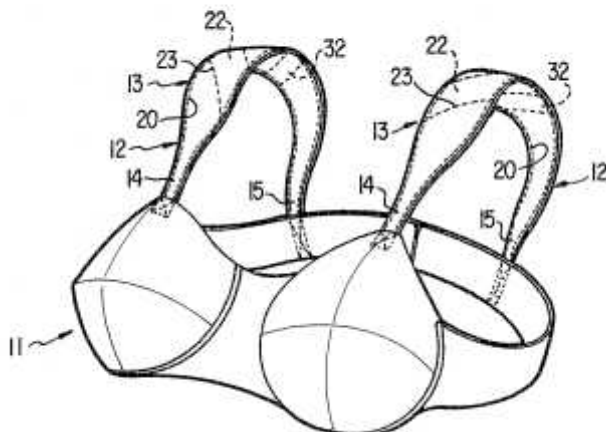
For stocking or sock suspenders class in [A41F 11/00](#) and lower groups.

**A41F 15/00****Shoulder or like straps****Definition statement**

*This place covers:*

Illustrative example of subject matter classified in this group.

44. [US4100924](#) - Shoulder strap

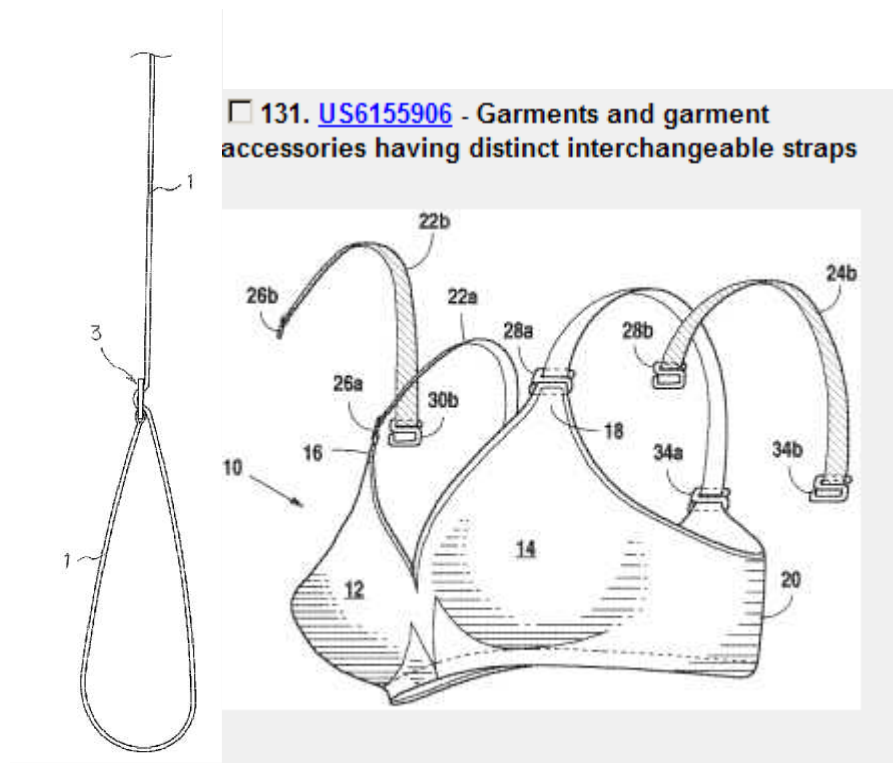


## A41F 15/002

{separable or adjustable}

### Definition statement

This place covers:



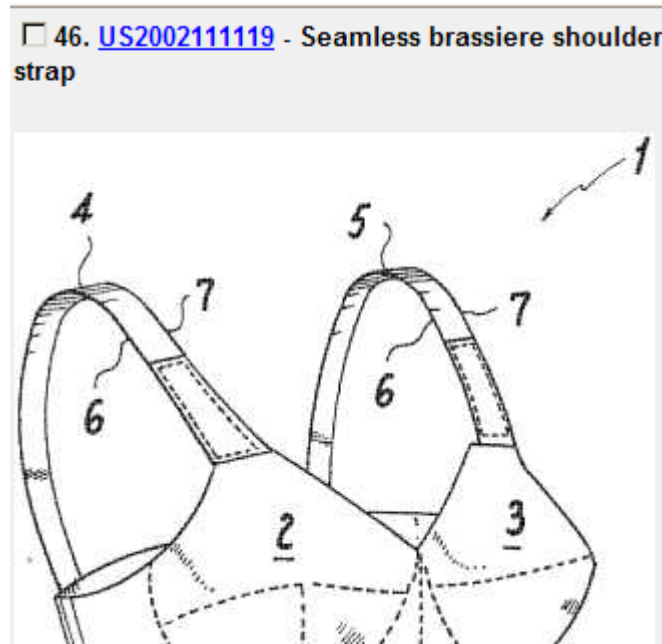
## A41F 15/005

{Tapes for shoulder straps}

### Definition statement

*This place covers:*

Illustrative example of subject matter classified in this group.



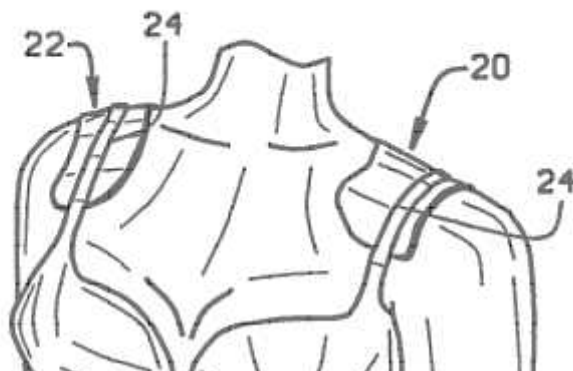
## A41F 15/007

{Shoulder cushioning attachments}

### Definition statement

*This place covers:*

83. [WO9639057](#) - ORTHOTIC EPAULET FOR ALLEVIATING DISCOMFORT FROM BRASSIERE STRAPS



## References

### Limiting references

*This place does not cover:*

Shaping shoulder-pads	<a href="#">A41D 27/26</a>
-----------------------	----------------------------

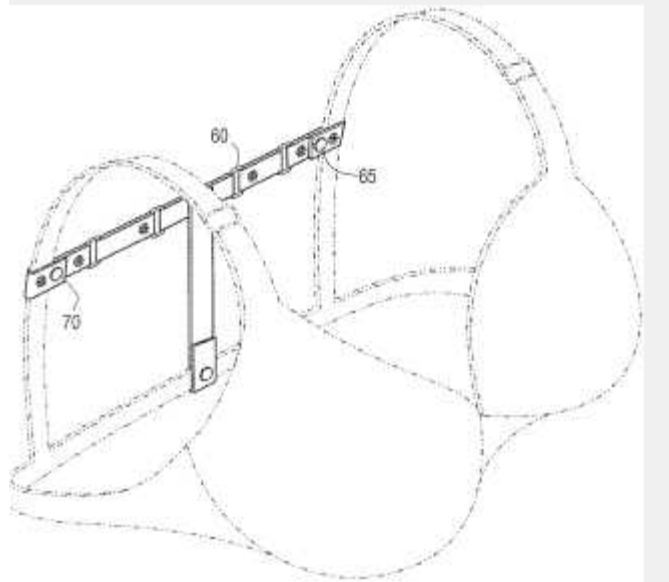
## A41F 15/02

### Means for retaining the straps in position

### Definition statement

*This place covers:*

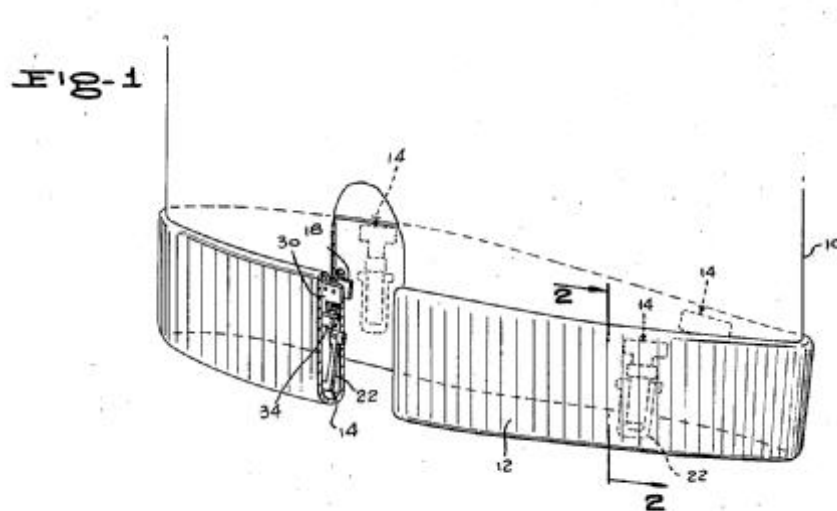
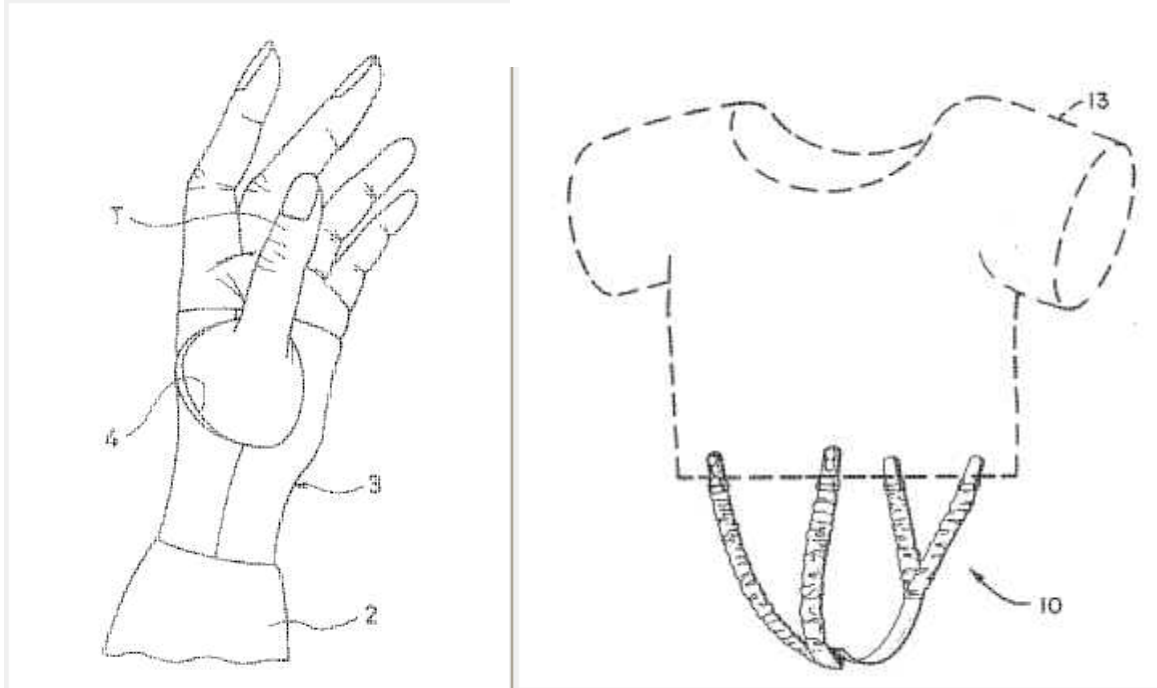
36. [US6135853](#) - Bra strap concealer apparatus



**A41F 17/00****Means for holding-down garments****Definition statement**

*This place covers:*

49. [JP6136601](#) - LONG-SLEEVE WEAR

**Special rules of classification**

Comprises devices to hold down bottom edges or sleeve ends of shirts or blouses.

For fastening the trouser cuff to the shoe class in [A41F 17/00](#) and [A41D 1/06](#).

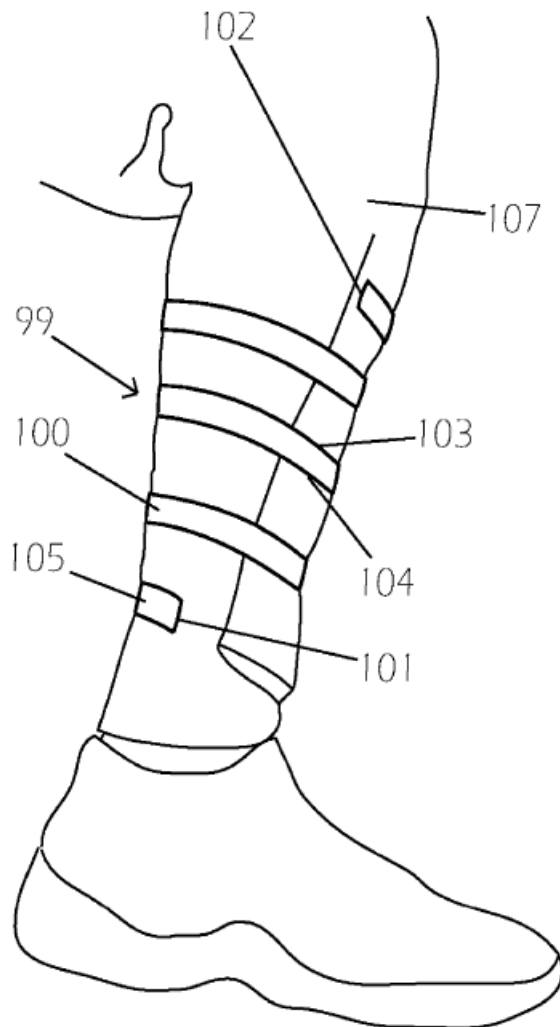
## A41F 17/02

### Clips or the like for trousers or skirts, e.g. for cyclists

#### Definition statement

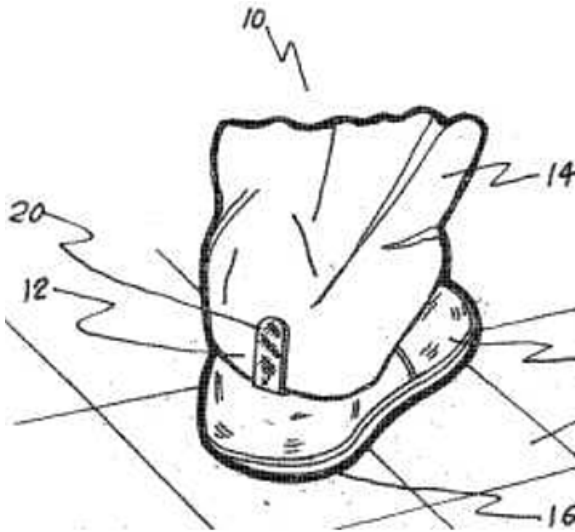
*This place covers:*

Illustrative examples of subject matter classified in this group:





Illustrative example 2: Pants cuff clip



## References

### Informative references

Attention is drawn to the following places, which may be of interest for search:

Paper clips of flat sections	<a href="#">B42F 1/06</a>
------------------------------	---------------------------

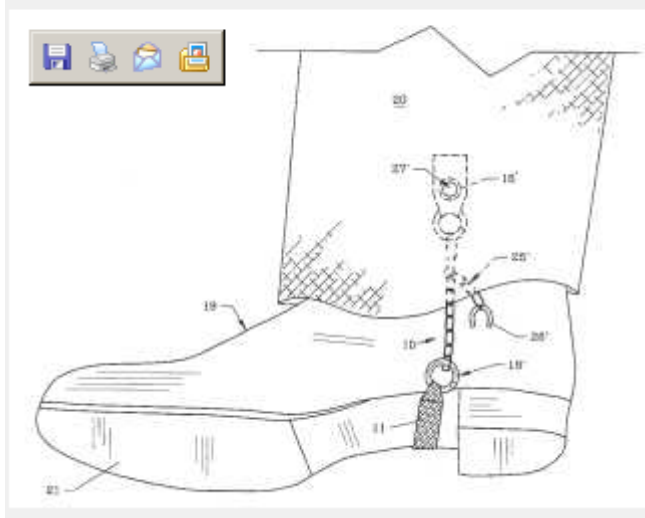
## A41F 17/04

### Straps on the lower end of legs of trousers

## Definition statement

This place covers:

28. [US5542156](#) - Trousler leg retaining device



## References

### Limiting references

*This place does not cover:*

Fastening means for gaiters	<a href="#">A41D 17/005</a>
-----------------------------	-----------------------------

## A41F 19/00

### Garment suspenders not otherwise provided for

### Definition statement

*This place covers:*

E.g., sleeves of long gloves fastening to biceps area.

## References

### Informative references

*Attention is drawn to the following places, which may be of interest for search:*

Shirts exchangeably attached to underbodies, drawers	<a href="#">A41B 1/06</a>
Fastening cuffs to shirts	<a href="#">A41B 7/04</a>
Fastening shirt cuffs to sleeves of jackets	<a href="#">A41B 7/06</a>

## A41F 19/005

{Means for adjusting the length of sleeves}

### Definition statement

*This place covers:*

Illustrative example of subject matter classified in this group.

