

A41G**ARTIFICIAL FLOWERS; WIGS; MASKS; FEATHERS****A41G 1/00**

Artificial flowers, fruit, leaves, or trees (artificial Christmas trees [A47G 33/06](#));
Garlands

References**Limiting references**

This place does not cover:

Artificial Christmas trees	A47G 33/06
----------------------------	----------------------------

Informative references

Attention is drawn to the following places, which may be of interest for search:

Floral handling	A01G 5/06
Christmas tree decorations	A47G 33/08
Processes for producing ornamental bodies, natural ornaments and imitations	B44C 5/06

Glossary of terms

In this place, the following terms or expressions are used with the meaning indicated:

Garland	A wreath made of flowers, leaves, etc., worn on the head like a crown, or hung about an object for decoration.
---------	--

A41G 1/001

{characterised by their special functions}

References**Limiting references**

This place does not cover:

Floral handling	A01G 5/06
Christmas tree decorations	A47G 33/08
Processes for producing ornamental bodies, natural ornaments and imitations	B44C 5/06

A41G 1/005**{luminous or luminescent}****References*****Limiting references****This place does not cover:*

Decoration with light effects, holograms	B44F 1/10
Lighting with household decorative objects	F21V 33/0028
Indicating arrangements with diodes	G09F 9/33
Illuminated signs, luminous advertising being electroluminescent	G09F 13/22
Circuits for light sources, controlling	H05B 47/105

A41G 1/006**{Diffusing perfume or the like}****References*****Limiting references****This place does not cover:*

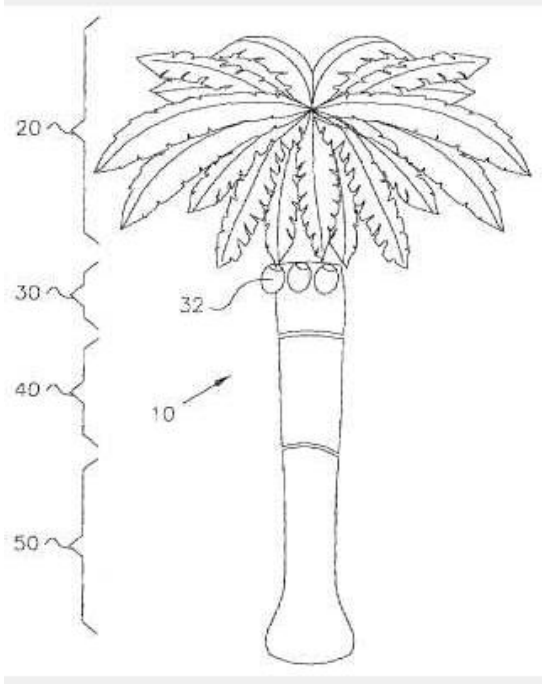
Holders for deodorisation	A61L 9/12
Scents	C11B 9/00

A41G 1/007**{Artificial trees}****Definition statement**

This place covers:

Illustrative example of subject matter classified in this group.

□ 44. [US7226645](#) - Portable personal palm tree

**References*****Limiting references***

This place does not cover:

Artificial Christmas trees	A47G 33/06
----------------------------	----------------------------

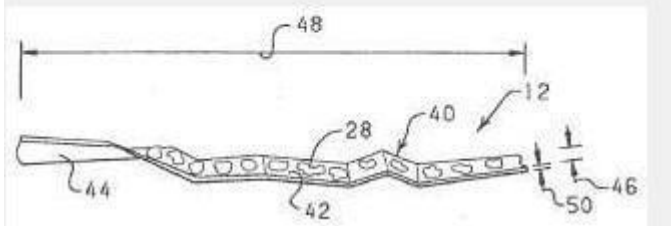
Special rules of classification

Does not comprise artificial Christmas trees

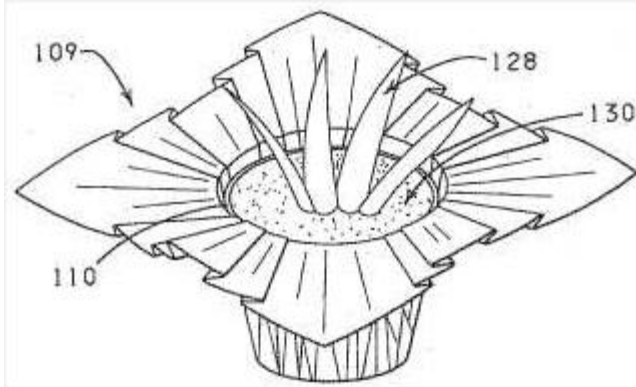
A41G 1/009**{Artificial grass (surfaces simulating grass [E01C 13/08](#))}****Definition statement***This place covers:*

Illustrative example of subject matter classified in this group.

□ 53. [US2008053045](#) - Method for making contoured decorative grass



□ 51. [US2008107838](#) - Decorative Grass Having Optical Effect

**References****Limiting references***This place does not cover:*

Floral handling	A01G 5/06
Christmas tree decorations	A47G 33/08
Processes for producing ornamental bodies, natural ornaments and imitations	B44C 5/06
Formation of filaments	D01D 5/42
Flexible sheet glued on macromolecular material, characterized by backing	D06N 7/0036
Models for demonstration purposes (trees, rocks,..)	G09B 25/08

Special rules of classification

Comprises artificial grass blades shapes and artificial grass simulating sheets, often used for decorating plants or flower pots.

Does not comprise under surface layered constructions simulating grass fields.

For artificial turf with under surface layered construction simulating grass fields, often including drainage systems, forward to [E01C 13/08](#).

Glossary of terms

In this place, the following terms or expressions are used with the meaning indicated:

Turf	A sod of grass, with the roots and earth adhering.
------	--

A41G 1/04

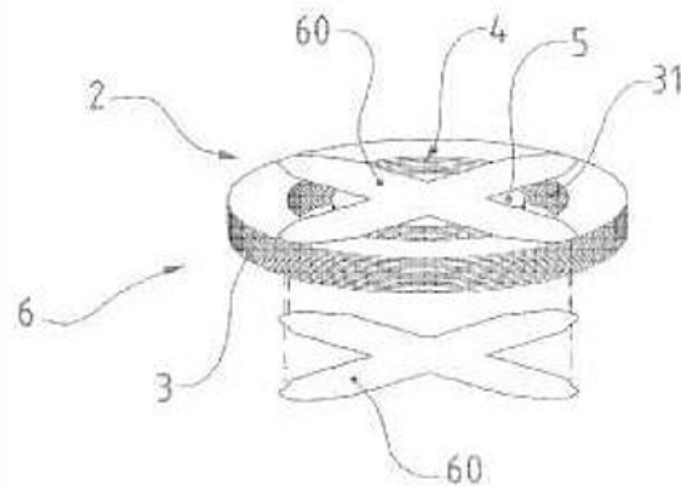
Garlands; Assembly of garlands

Definition statement

This place covers:

Illustrative example of subject matter classified in this group.

Multicolour garland fabricating method for use in decoration field, involves taking garland in stack of sheet, taking another garland to ream another stack of sheet, and integrating ends of stacks to combine two garlands together.



References

Informative references

Attention is drawn to the following places, which may be of interest for search:

Floral handling	A01G 5/06
Decorative bow structures	D04D 7/10

Glossary of terms

In this place, the following terms or expressions are used with the meaning indicated:

Garland	A wreath made of flowers, leaves, etc., worn on the head like a crown, or hung about an object for decoration.
---------	--

A41G 3/00

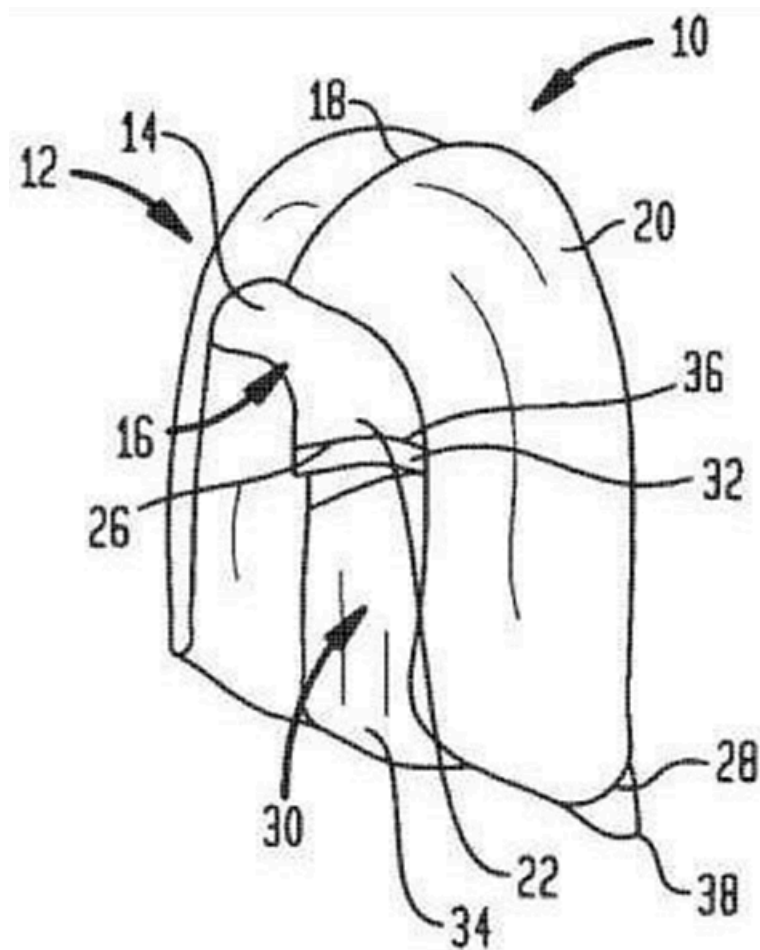
Wigs (for dolls only [A63H 3/44](#))

Definition statement

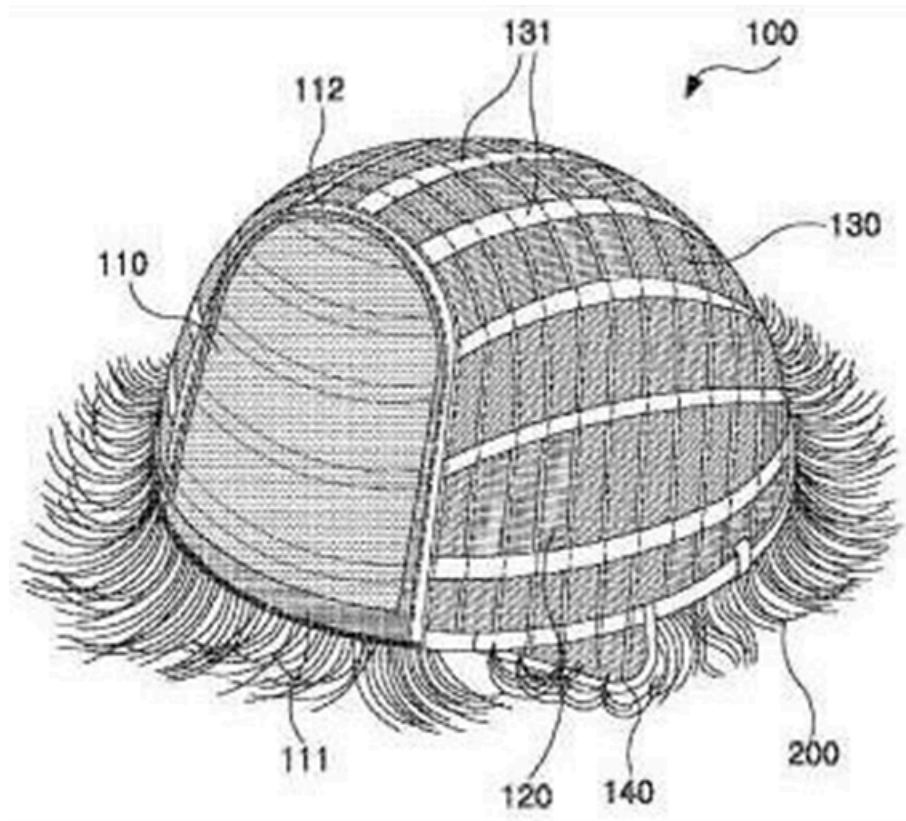
This place covers:

Illustrative example of subject matter classified in this group.

Illustrative example 1: Adjustable wig



Illustrative example 2: Wig comprising cap with nano-silver



References

Limiting references

This place does not cover:

Wigs for dolls only	A63H 3/44
---------------------	---------------------------

Special rules of classification

Wigs covering complete hair area of head are classified in [A41G 3/00](#) and lower groups.

Hair pieces covering part of hair area of head (i.e. bald area) are classified in [A41G 5/00](#) and lower groups.

A41G 3/005

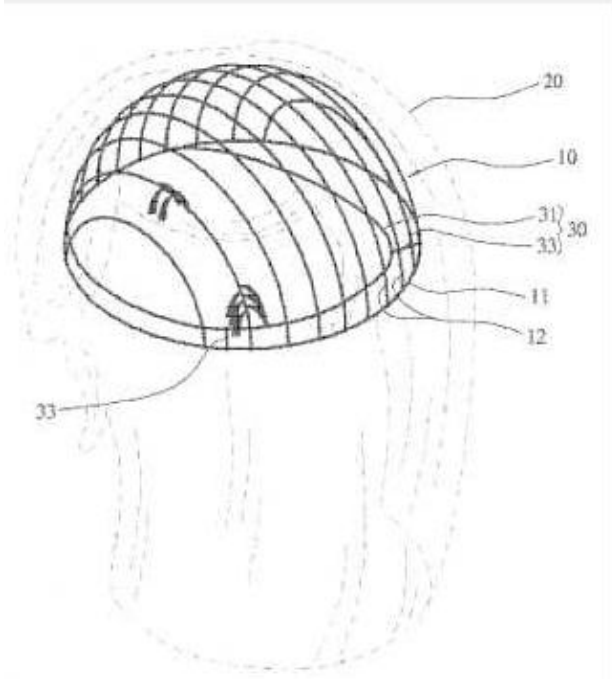
{made of a net structure}

Definition statement

This place covers:

Illustrative example of subject matter classified in this group.

□ 16. [WO2007123330](#) - WIG USING HAIRNET



A41G 3/0058

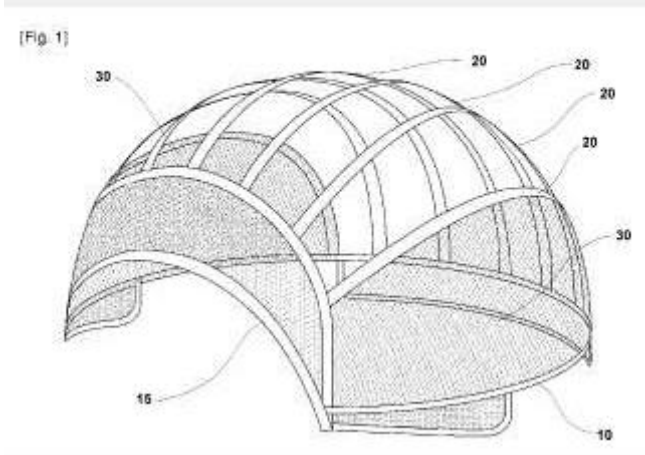
{made of a frame structure}

Definition statement

This place covers:

Illustrative example of subject matter classified in this group.

5. [WO2010044511](#) - FRAME FOR WIG



A41G 3/0066**{Planting hair on bases for wigs}****Definition statement***This place covers:*

Illustrative example of subject matter classified in this group.

**References****Limiting references***This place does not cover:*

Rooting hair in wigs	D05C 15/02
----------------------	----------------------------

A41G 3/0083**{Filaments for making wigs (artificial filaments [D01F 6/00](#))}****References****Limiting references***This place does not cover:*

Artificial filaments	D01F 6/00
----------------------	---------------------------

A41G 3/0091**{Sweat absorbing means or deodorants}****References****Limiting references***This place does not cover:*

Deodorisation of air	A61L 9/00
Body deodorants	A61Q 15/00

A41G 5/00**Hair pieces, inserts, rolls, pads, or the like; Toupées****References****Informative references***Attention is drawn to the following places, which may be of interest for search:*

Hair fillers to simulate big hair volume when hair is up in a bun	A45D 8/36
---	---------------------------

Special rules of classification

Wigs covering complete hair area of head, are classified in [A41G 3/00](#) and lower groups.

Hair pieces covering part of hair area of head (i.e. bald area), are classified in [A41G 5/00](#) and lower groups.

Hair pieces covering partial bald area are classified in [A41G 5/0006](#).

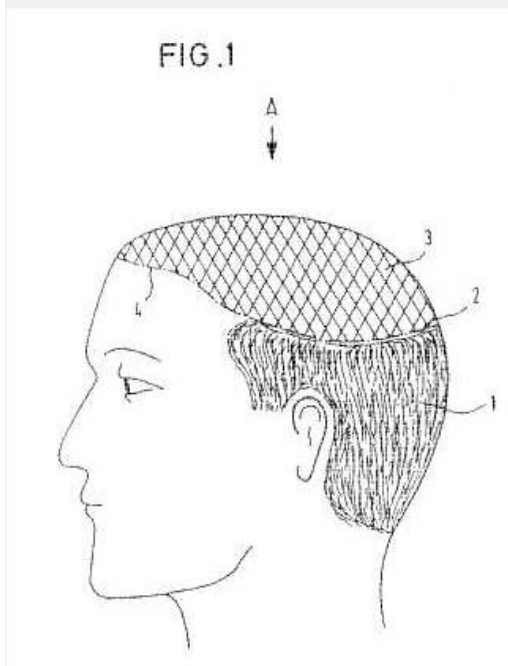
Glossary of terms*In this place, the following terms or expressions are used with the meaning indicated:*

Toupée	A patch of false hair or small wig to cover a bald place.
--------	---

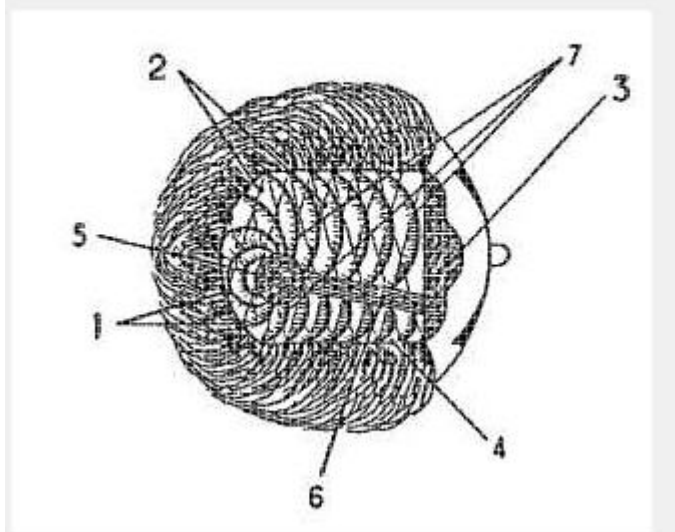
A41G 5/0006**{Toupées covering a bald portion of the head}****Definition statement***This place covers:*

Illustrative example of subject matter classified in this group.

□ 44. [DE3913768](#) - (A1) Toupee wearing acclimatisation - in three suggested stages



□ 34. [FR2734456](#) - (A1) Made to measure hair piece fixed to hair by small washers to cover baldness

**Special rules of classification**For wigs covering complete hair area of head, class in [A41G 3/00](#) and lower groups.

For hair pieces covering part of hair area of head (i.e. bald area), class in [A41G 5/00](#) and lower groups.

For covering partial bald area class in [A41G 5/0006](#).

Glossary of terms

In this place, the following terms or expressions are used with the meaning indicated:

Toupée	A patch of false hair or small wig to cover a bald place.
--------	---

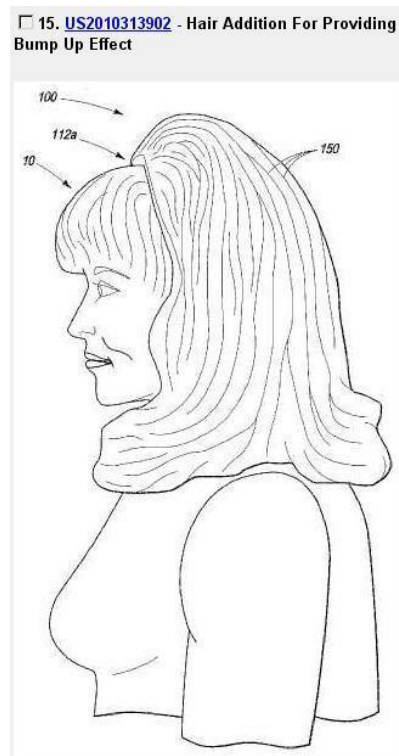
A41G 5/004

{Hair pieces}

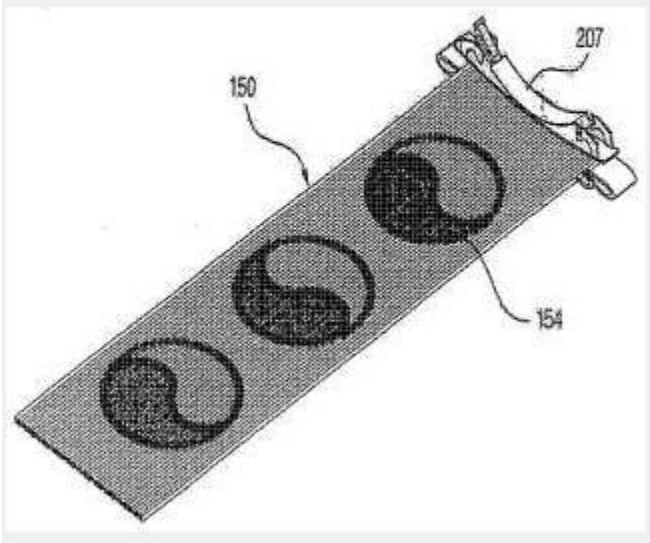
Definition statement

This place covers:

Illustrative example of subject matter classified in this group.



□ 40. [US2007119469](#) - Decorated hair pieces and method for decorating hair pieces



References

Informative references

Attention is drawn to the following places, which may be of interest for search:

Hair straps; Hair rings	A45D 8/36
Devices for colouring or bleaching separated strands of hair	A45D 19/012
Eyelash make-up	A61Q 1/10
Hair styling	A61Q 5/065

Special rules of classification

For wigs covering complete hair area of head, class in [A41G 3/00](#) and lower groups.

For hair pieces covering part of hair area of head (i.e. bald area), class in [A41G 5/00](#) and lower groups.

For covering partial bald area class in [A41G 5/0006](#).

For forming hair extensions from bundles of hair class in [A41G 5/0046](#).

For hair pieces held by head covering or headband, class in [A41G 5/0093](#).

For hair extensions alone class in [A41G 5/004](#), but when hair extension is characterized by the fastening technique, class only in [A41G 5/0053](#) and lower groups and not in [A41G 5/004](#).

A41G 5/0046

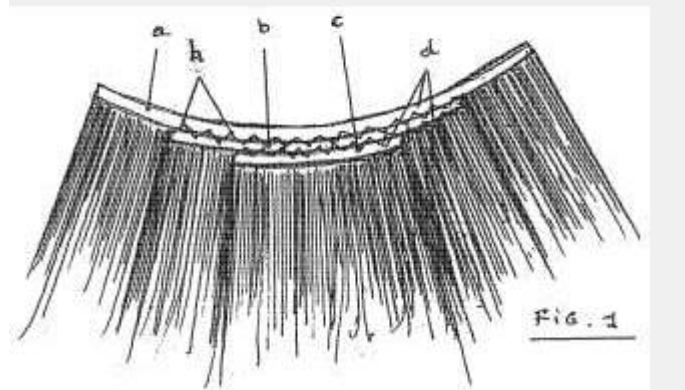
{forming hair extensions from bundles of hair}

Definition statement

This place covers:

Illustrative example of subject matter classified in this group.

□ 13. [EP1980167](#) - Hair extension device made up of a series of offset strips of hair



A41G 5/0053

{Fastening thereof}

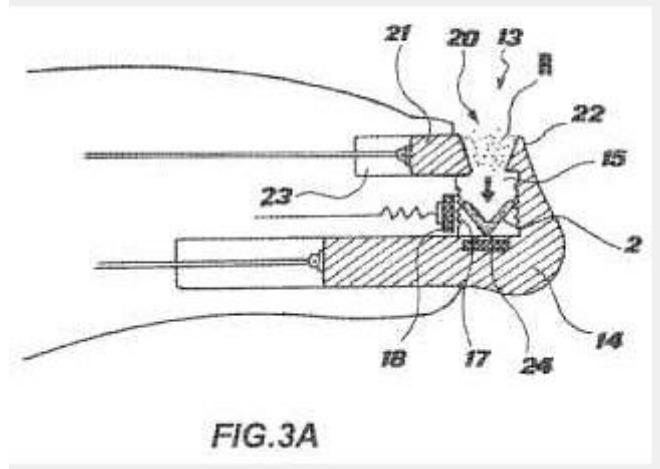
Special rules of classification

For hair extensions alone class in [A41G 5/004](#), but when hair extension is characterized by the fastening technique, class only in [A41G 5/0053](#) and lower groups and not in [A41G 5/004](#).

A41G 5/0086**{Applicators or tools for applying hair extensions}****Definition statement***This place covers:*

Illustrative example of subject matter classified in this group.

□ 11. [WO2009013691](#) - (A2 A3) HAIR EXTENSION, METHOD OF APPLICATION THEREOF AND DEVICE FOR APPLYING HAIR EXTENSIONS

**References****Limiting references***This place does not cover:*

Joining of preformed plastic parts, by heating	B29C 65/18
Joining of preformed plastic parts, by internal stresses, i.e. shrinking	B29C 65/68

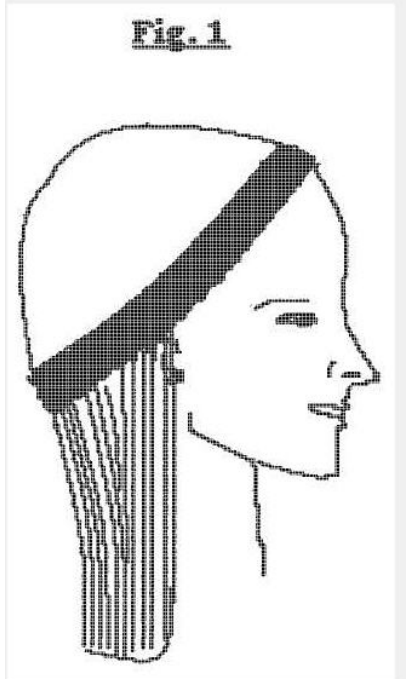
Special rules of classification

Comprises also hair extension removal tools

A41G 5/0093**{Hair accessories connected to a head covering, e.g. scarf}****Definition statement***This place covers:*

Illustrative example of subject matter classified in this group.

□ 24. [EP2178407](#) - (A1 B1) HEADBAND COMPRISING HAIR WEFTS

**Special rules of classification**

Comprises hair pieces held by head covering or headband.

A41G 7/00**Masks or dominoes for concealing identity, e.g. for theatrical use****Definition statement***This place covers:*

Illustrative example of subject matter classified in this group shown below is a decorative mask.



References

Informative references

Attention is drawn to the following places, which may be of interest for search:

Costumes	A41D 1/00
Disguises for artists for life-like imitation of creatures	A63J 7/005

Glossary of terms

In this place, the following terms or expressions are used with the meaning indicated:

Domino	A kind of loose cloak, app. of Venetian origin, chiefly worn at masquerades, with a small mask covering the upper part of the face, by persons not personating a character, sometimes applied to the half-mask itself.
--------	--

A41G 9/00

Adornments of natural feathers; Working natural feathers (treatment of bed feathers [B68G 3/00](#))

References

Limiting references

This place does not cover:

Treatment of bed feathers	B68G 3/00
---------------------------	---------------------------

Informative references

Attention is drawn to the following places, which may be of interest for search:

Duvets	A47G 9/0207
Pillows	A47G 9/10
Loose filling materials for upholstery	B68G 1/00
Filling of cushions, mattresses	B68G 7/06
Non-woven fabrics formed by filamentary materials	D04H 3/02
Quilting and filling with feathers	D05B 11/005
Feather treatment in general	D06M , D06M 19/00

A41G 11/00

Artificial feathers

References

Informative references

Attention is drawn to the following places, which may be of interest for search:

Duvets	A47G 9/0207
Pillows	A47G 9/10

Loose filling materials for upholstery	B68G 1/00
Filling of cushions, mattresses	B68G 7/06
Non-woven fabrics formed by filamentary materials	D04H 3/02
Quilting and filling with feathers	D05B 11/005
Feather treatment in general	D06M 19/00