

A44C

PERSONAL ADORNMENTS, e.g. JEWELLERY; COINS

Special rules of classification

For classification of additional functions or features the non-mirror Indexing Code symbols of [A44D](#) should be used.

A44C 1/00

Brooches or clips in their decorative or ornamental aspect

References

Limiting references

This place does not cover:

| | |
|--------------------------------------|-----------------------------|
| Brooches with a safety pin fastening | A44B 9/16 |
| Recycling | B09B 3/00 |
| Bio-degradable packaging materials | B65D 65/466 |
| Localisation means | G01S 5/12 |

Special rules of classification

Comprises brooches in their decorative aspect. For brooches with a safety pin class in [A44B 9/16](#).
Comprises decorative ornaments or jewellery to be fastened on clothing.

A44C 3/001

{Badges}

References

Limiting references

This place does not cover:

| | |
|--------------------------------------|----------------------------|
| Brooches in their decorative aspect | A44C 1/00 |
| Buttons for fastening | A44B 1/00 |
| Brooches with a safety pin fastening | A44B 9/16 |
| Identification means | G09F 3/00 |
| Fastening for badge label | G09F 3/207 |

Special rules of classification

In American English "Button" is used for "Badge", correct class for Badges is [A44C 3/001](#).

For removable buttons that look like badges but are used as a fastener, class in [A44B 1/18](#) and in [A44C 3/001](#).

If they fasten through a safety pin, should also be classed in [A44B 9/16](#).

Glossary of terms

In this place, the following terms or expressions are used with the meaning indicated:

| | |
|--------|--|
| Button | A knob or stud of metal or other material sewn or fixed by a shank or neck to articles of dress, usually for the purpose of fastening one part of the dress to another by passing through a button-hole, but often merely for ornament. |
| Badge | Any distinctive device, emblem, or mark worn to indicate a person's affiliation, rank, office, name, etc., or membership of an organization or support for a cause; also a small piece of metal, card, plastic, etc., bearing a distinguishing design or words and often worn purely for ornament. |

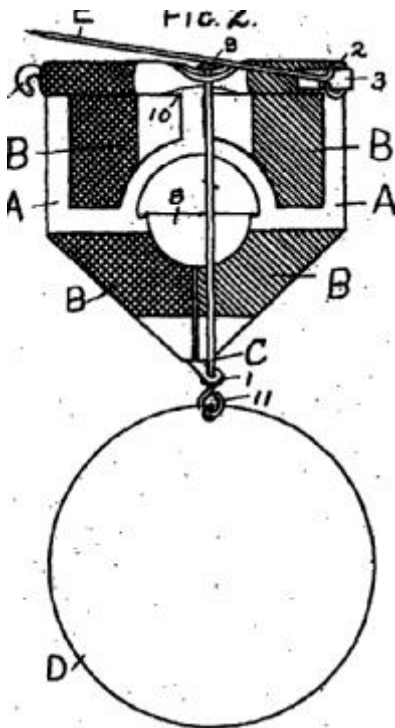
A44C 3/002

{Honorific badges, e.g. ribbon holders for decoration}

Definition statement

This place covers:

Illustrative example of subject matter classified in this group.



Special rules of classification

Comprises honorific medals held as badges. For medals suspended from chains or ribbons, class in [A44C 3/004](#) and lower groups.

A44C 3/004

{Medals}

Special rules of classification

Comprises only medals which are suspended from chain or ribbon. For honorific medals hold as badges, class in [A44C 3/002](#).

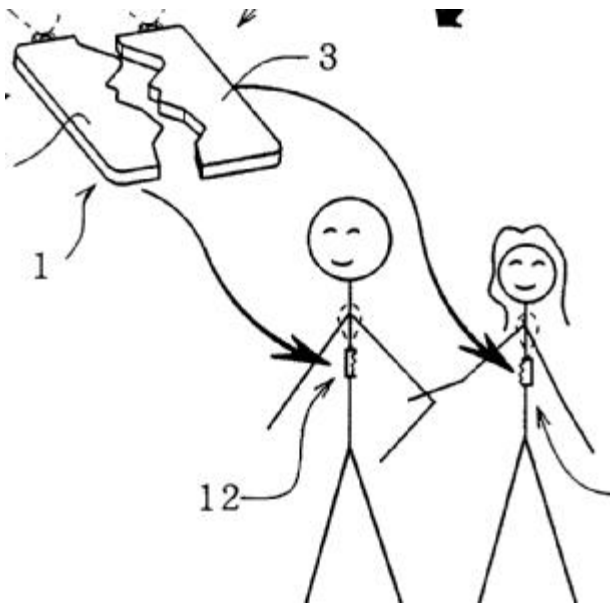
A44C 3/007

{which can be separated into parts, e.g. to be worn by two persons}

Definition statement

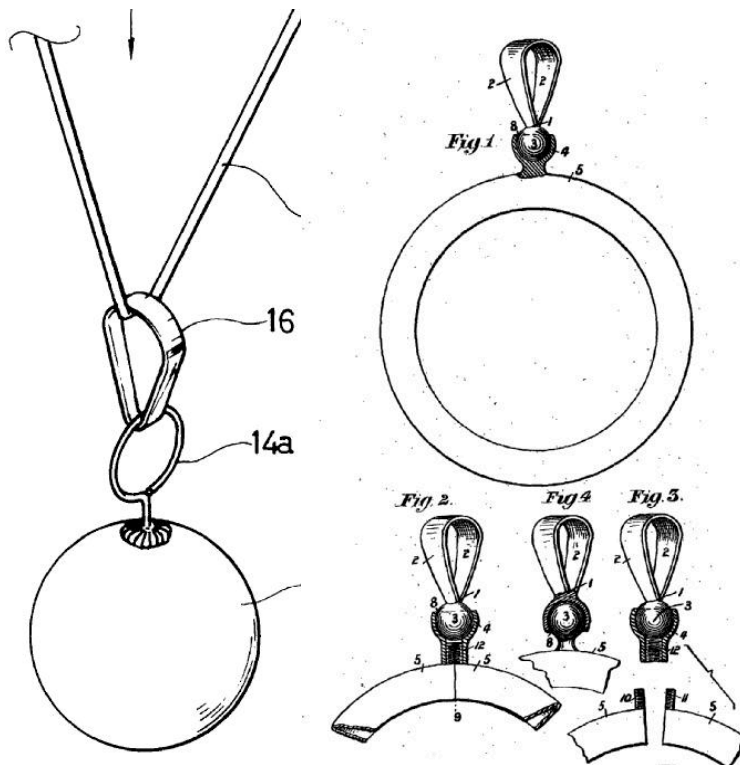
This place covers:

Illustrative example of subject matter classified in this group.



A44C 3/008**{Suspension loops or rings}****Definition statement***This place covers:*

Illustrative example of subject matter classified in this group.

**Special rules of classification**

Contains also suspension loops or rings for pendants.

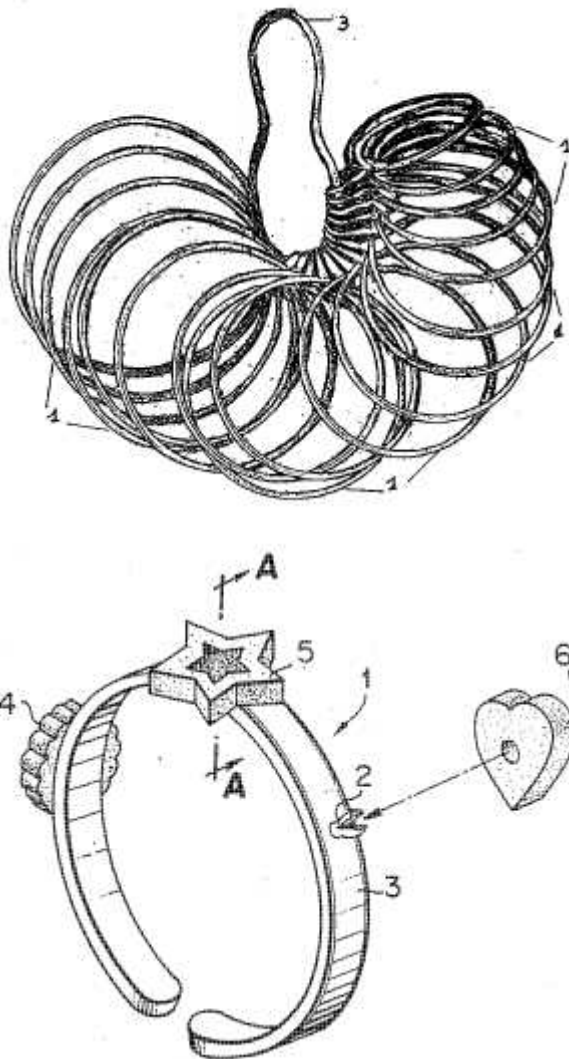
A44C 5/00

Bracelets; Wrist-watch straps; Fastenings for bracelets or wrist-watch straps
 {(settings for holding gems or the like [A44C 17/02](#); devices for putting-on or pulling-off bracelets [A47G 25/901](#))}

Definition statement

This place covers:

Illustrative example of subject matter classified in this group.



References

Limiting references

This place does not cover:

| | |
|---|-----------------------------|
| Devices for putting-on or pulling-off bracelets | A44C 17/02 |
| Settings for holding gems or the like | A47G 25/901 |

| | |
|---|---|
| Ratchet type straps (for bundling or identification), that cannot be opened | B65B 13/027 , B65D 63/1072 , E05B 75/00 , F16L 3/2334 , F16B 2/08 , G07C 9/20 , G09F 3/03 |
|---|---|

A44C 5/0007

{Bracelets specially adapted for other functions or with means for attaching other articles}

References

Limiting references

This place does not cover:

| | |
|---------------------------------------|-----------------------------|
| Wearable computers | G06F 1/163 |
| Transmitters carried on body | H04B 1/0343 |
| Transceivers / phones carried on body | H04B 1/385 |

A44C 5/0015

{providing information, e.g. bracelets with calendars (identification bracelets [G09F 3/005](#))}

References

Limiting references

This place does not cover:

| | |
|--|---|
| Bracelets combined with games | A63F 2009/0021 |
| Ratchet- type straps (for bundling or identification), that cannot be opened | B65B 13/027 , B65D 63/1072 , E05B 75/00 , F16L 3/2334 , F16B 2/08 , G07C 9/20 , G09F 3/03 |
| Localisation means | G01S 5/12 |
| Abaccus | G06C 1/00 |
| Hand computing conversion | G06G 1/0068 |
| Calendars | G09D 3/04 |
| Devices using visible light signalling for partner search | S08B5/36W14 |

A44C 5/0023**{for therapeutic purposes}****References****Limiting references***This place does not cover:*

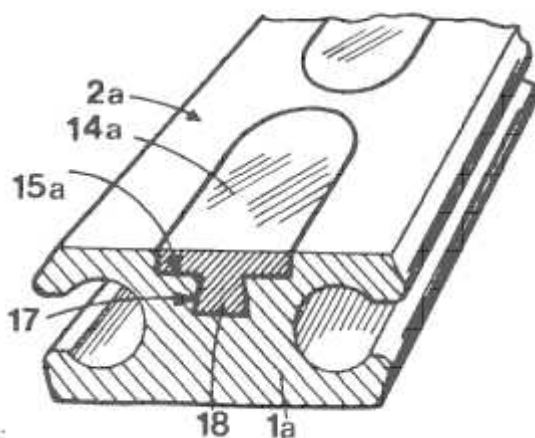
| | |
|---|------------------------------|
| Detecting pulse rate with devices worn on patient | A61B 5/02438 |
|---|------------------------------|

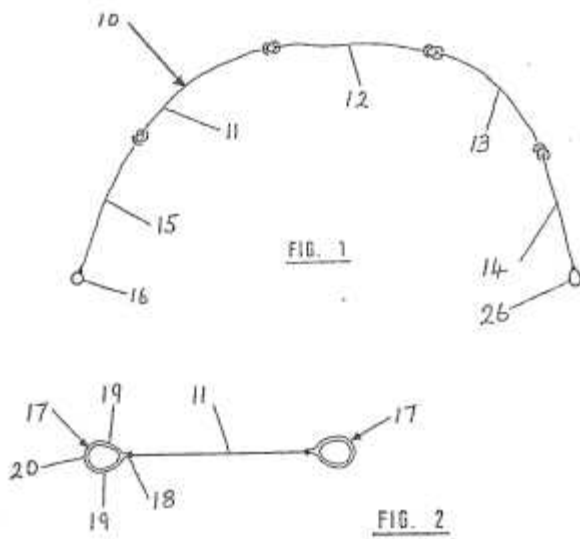
A44C 5/0053**{Flexible straps}****References****Limiting references***This place does not cover:*

| | |
|--|---|
| Ratchet- type straps (for bundling or identification), that cannot be opened | B65B 13/027 , B65D 63/1072 , E05B 75/00 , F16B 2/08 , F16L 3/2334 , G07C 9/20 , G09F 3/03 |
|--|---|

A44C 5/02**Link constructions****Definition statement***This place covers:*

Illustrative example of subject matter classified in this group.

FIG. 3



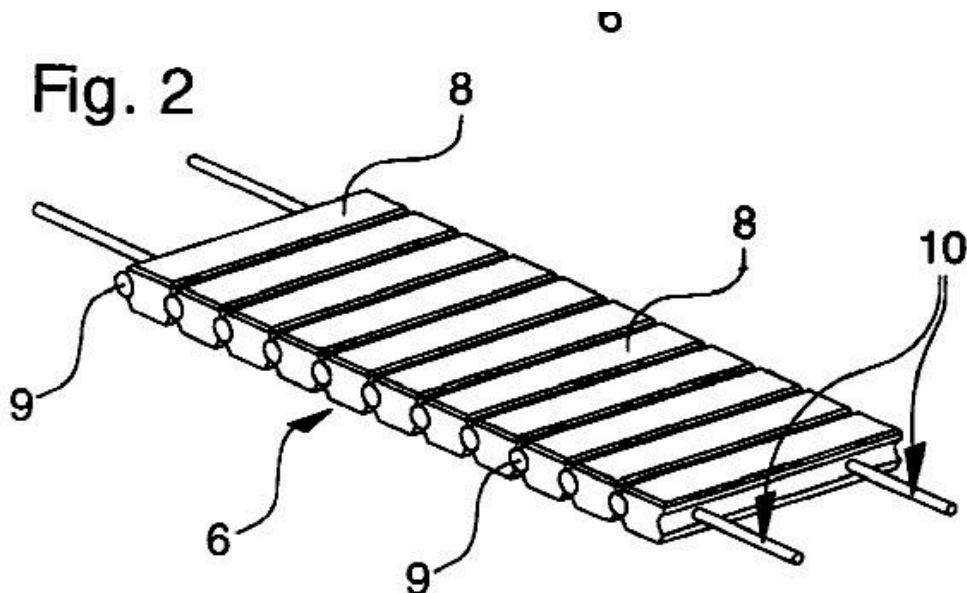
A44C 5/022

{with links threaded on at least one filamentary core (ornamental chains made of pearls [A44C 11/002](#))}

Definition statement

This place covers:

Illustrative example of subject matter classified in this group.



References

Limiting references

This place does not cover:

| | |
|----------------------------------|-----------------------------|
| Ornamental chains made of pearls | A44C 11/002 |
|----------------------------------|-----------------------------|

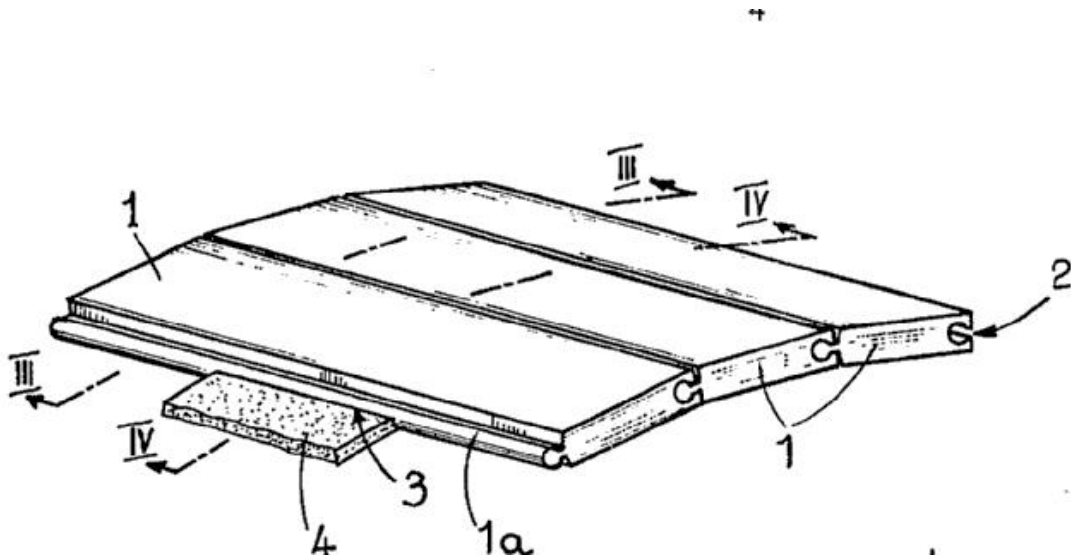
A44C 5/025

{with links threaded on a band}

Definition statement

This place covers:

Illustrative example of subject matter classified in this group.



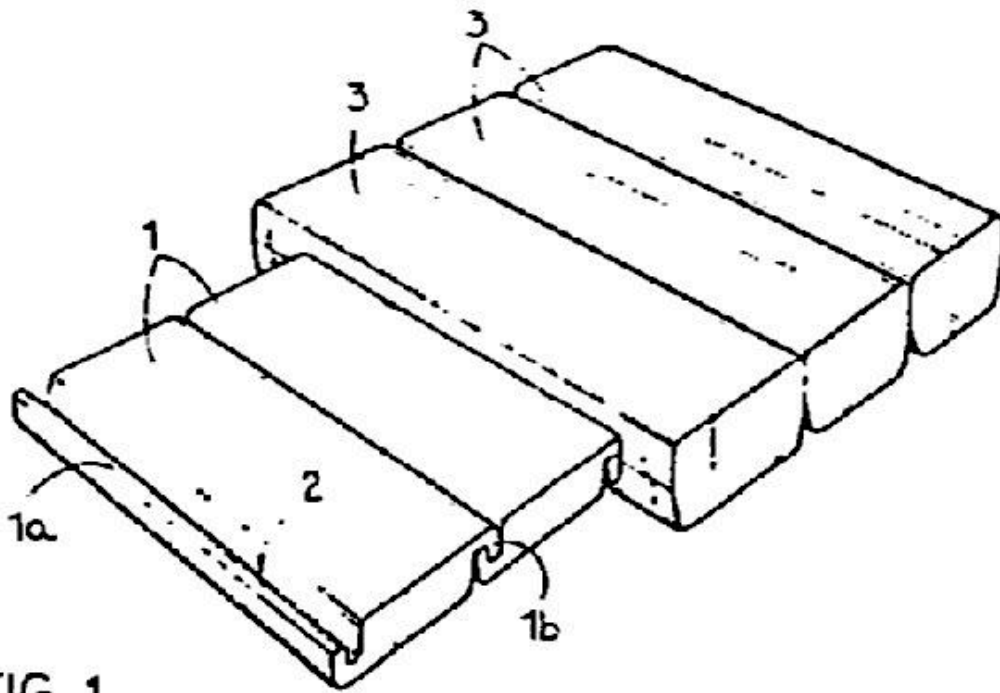
A44C 5/027

{the band also made of links}

Definition statement

This place covers:

Illustrative example of subject matter classified in this group.



A44C 5/06

having lazy-tongs

Definition statement

This place covers:

Illustrative example of subject matter classified in this group.

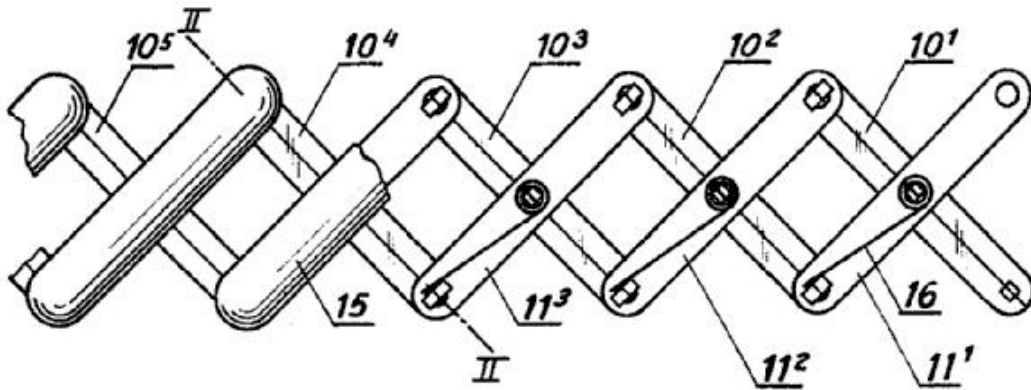


Fig. 1

A44C 5/08

having separate links

Definition statement

This place covers:

Illustrative example of subject matter classified in this group.

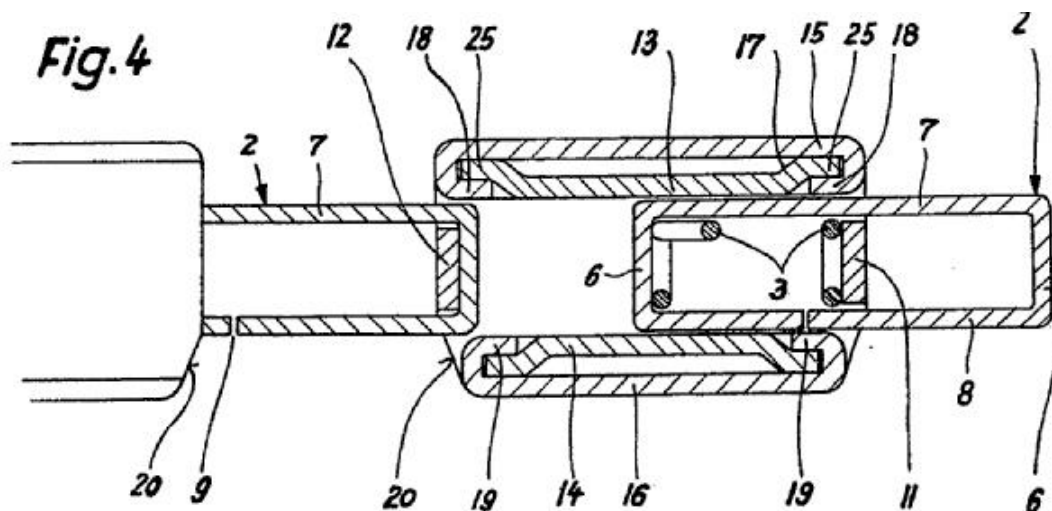


Fig. 4

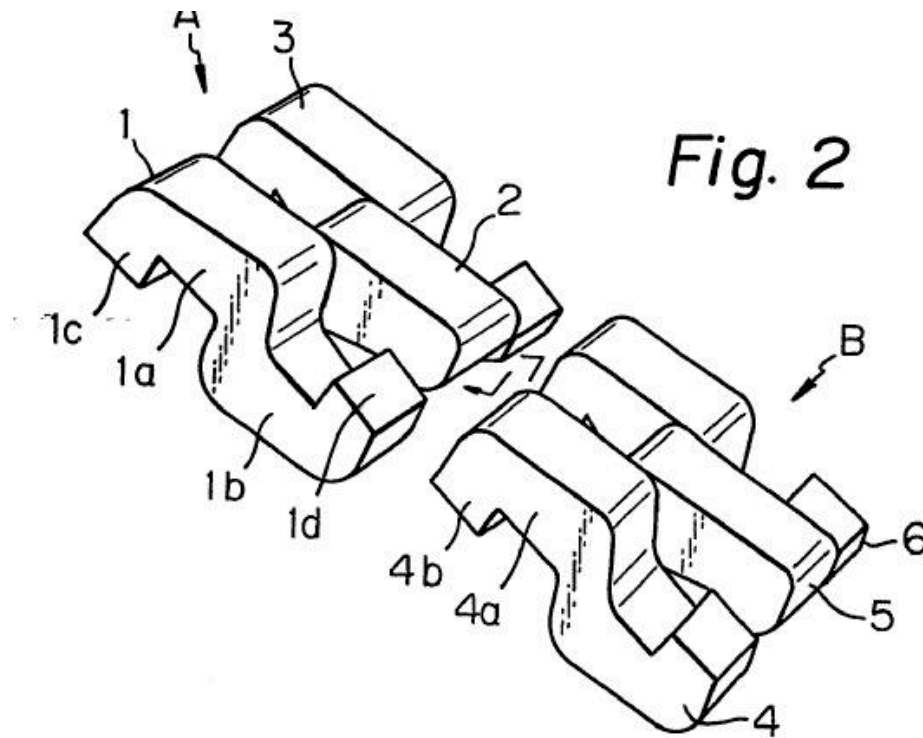
A44C 5/102

{with links made of one piece with integral connecting means}

Definition statement

This place covers:

Illustrative example of subject matter classified in this group.

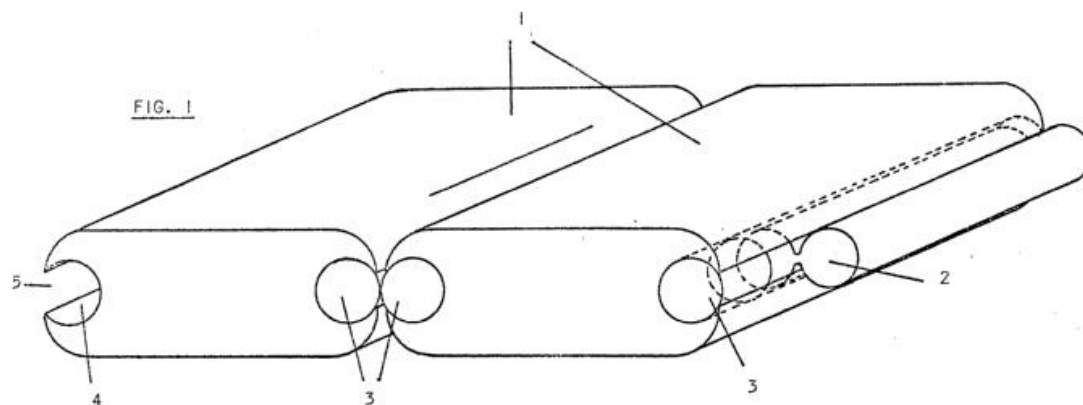
**A44C 5/105**

{with links made of one piece and linked together by one connecting element}

Definition statement

This place covers:

Illustrative example of subject matter classified in this group.



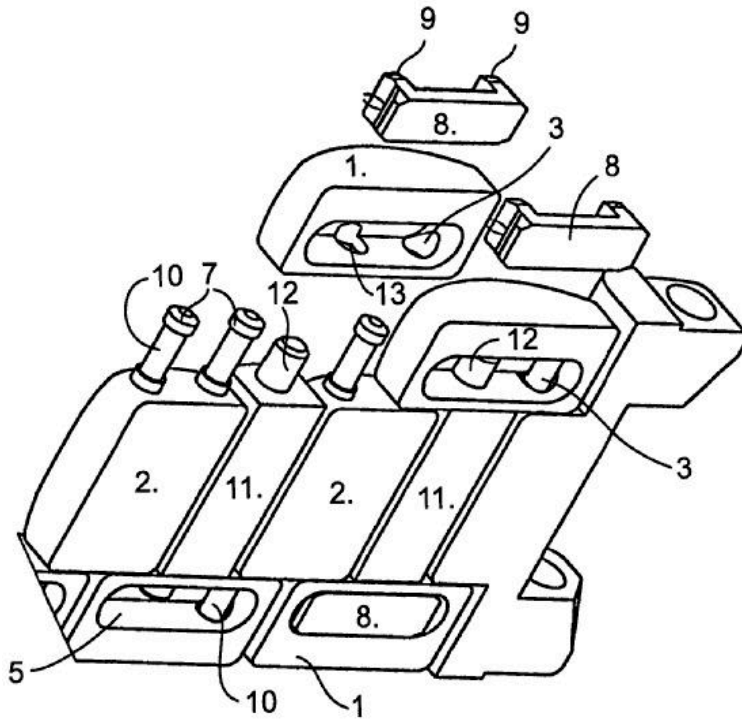
A44C 5/107

{with links made of more than two elements including connecting elements}

Definition statement

This place covers:

Illustrative example of subject matter classified in this group.



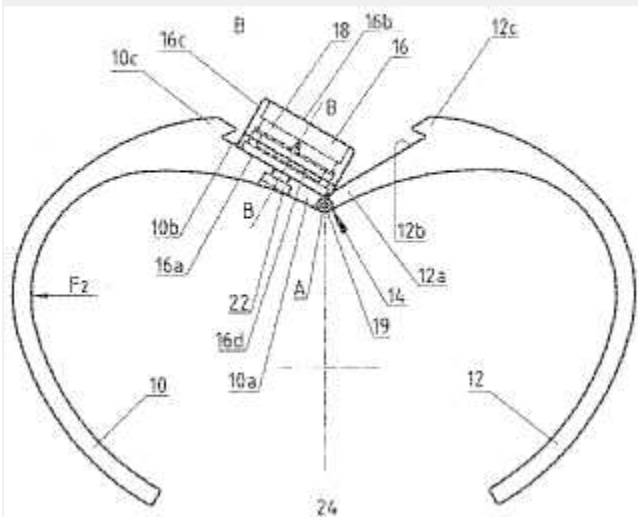
A44C 5/12

C-spring-type bracelets or wrist-watch holders

Definition statement

This place covers:

42. [EP1275319](#) - Articulated open ring



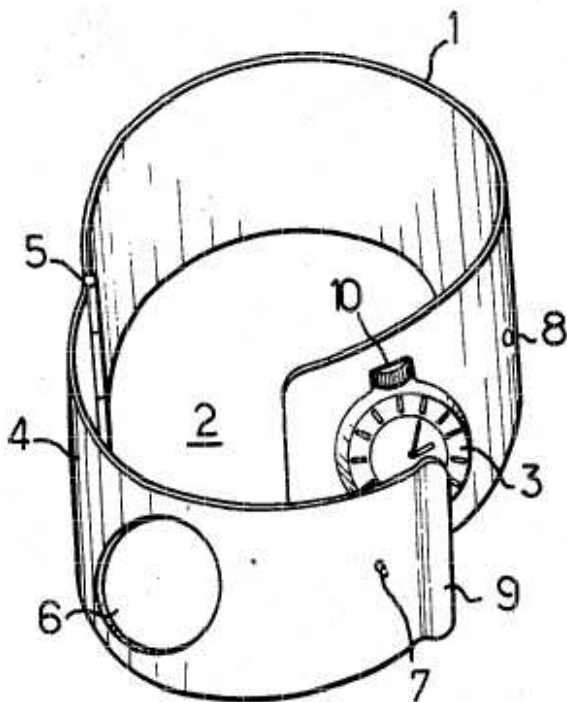
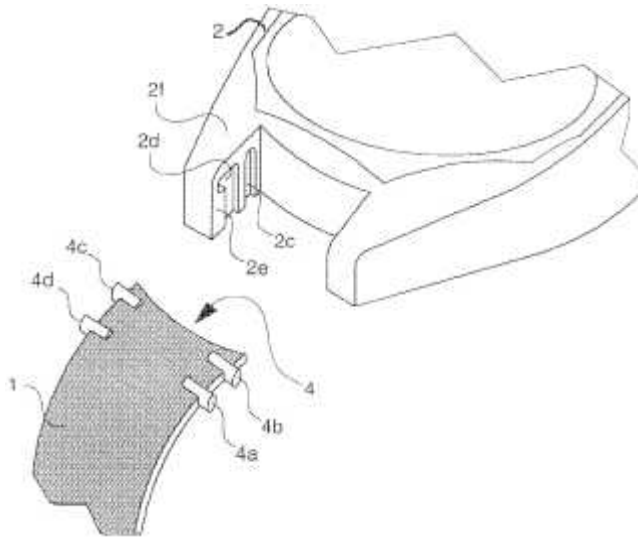
A44C 5/14

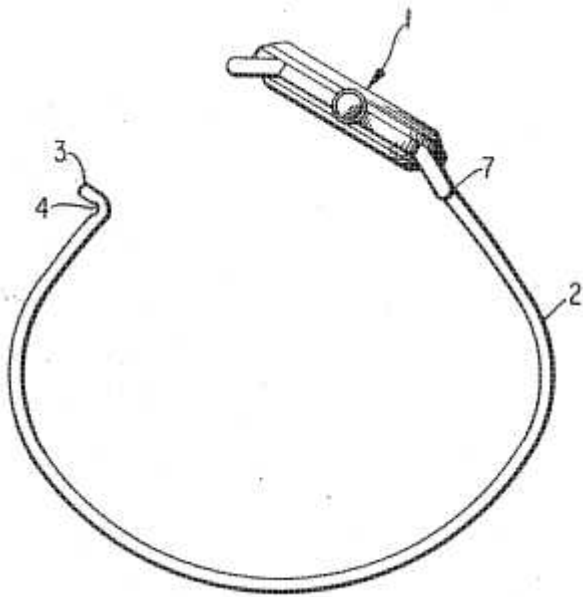
characterised by the way of fastening to a wrist-watch or the like

Definition statement

This place covers:

Illustrative example of subject matter classified in this group.





References

Limiting references

This place does not cover:

| | |
|-------------------------------------|--|
| Fastening of bracelet to watch case | G04B 37/1486 , G04B 37/16 |
| Ornamentation in watches | G04B 47/042 |

Special rules of classification

Irrespective of giving this class or not, always forward to watch cases in [G04B 37/1486](#).

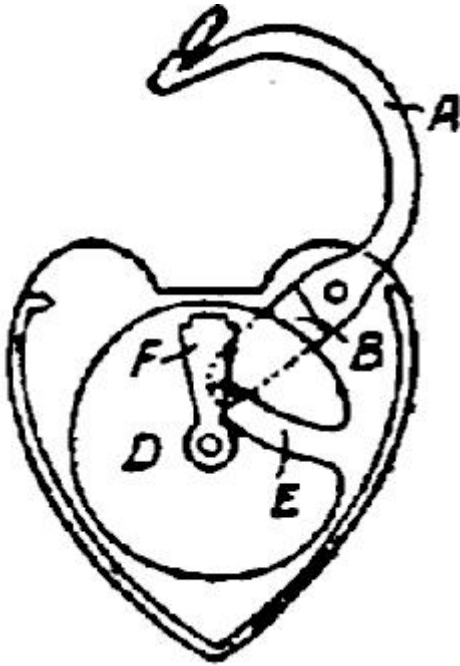
A44C 5/2004

{Padlocks}

Definition statement

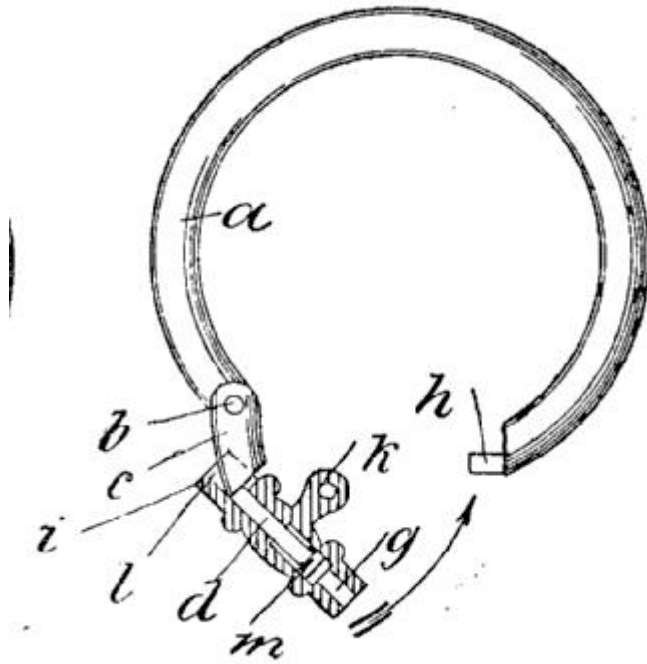
This place covers:

Illustrative example of subject matter classified in this group.

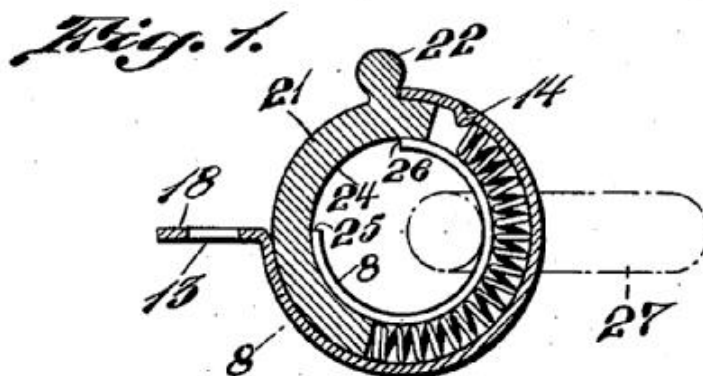


A44C 5/2009**{of the ring type}****Definition statement***This place covers:*

Illustrative example of subject matter classified in this group.

**A44C 5/2014****{of the spring ring type}****Definition statement***This place covers:*

Illustrative example of subject matter classified in this group.

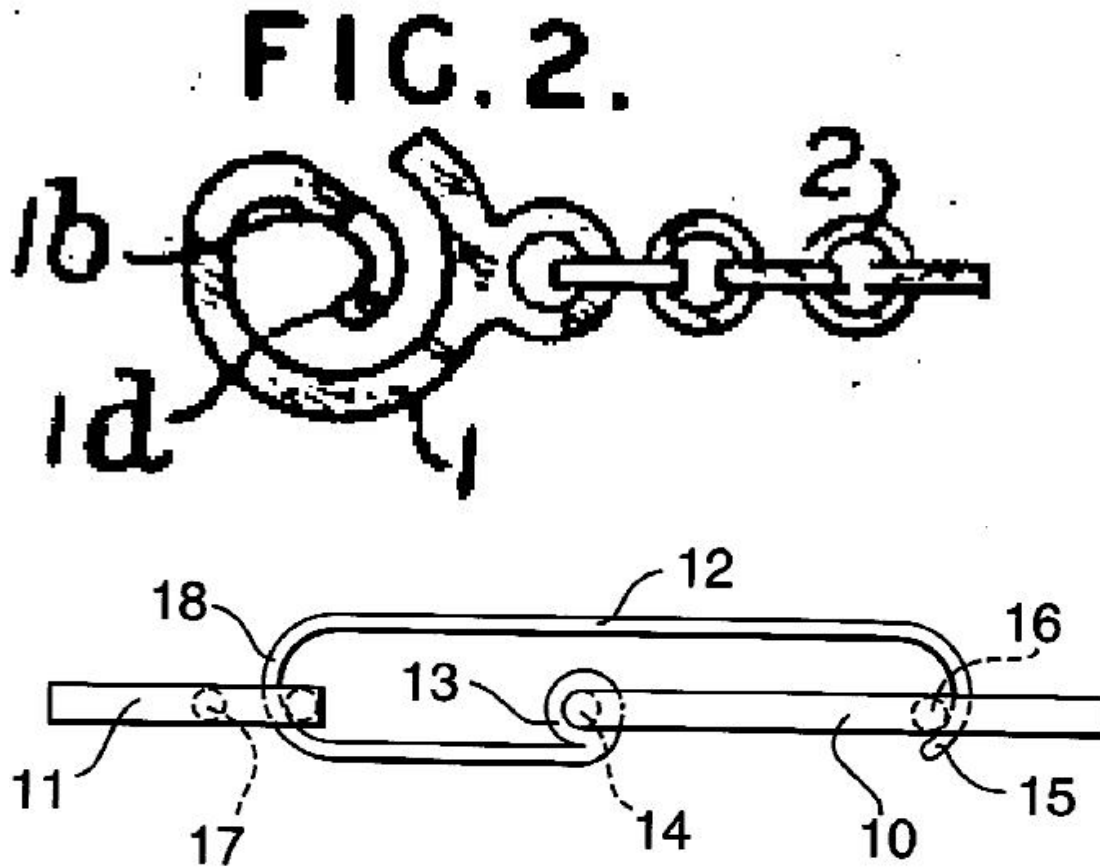


A44C 5/2019

{Hooks}

Definition statement*This place covers:*

Illustrative example of subject matter classified in this group.



A44C 5/2023

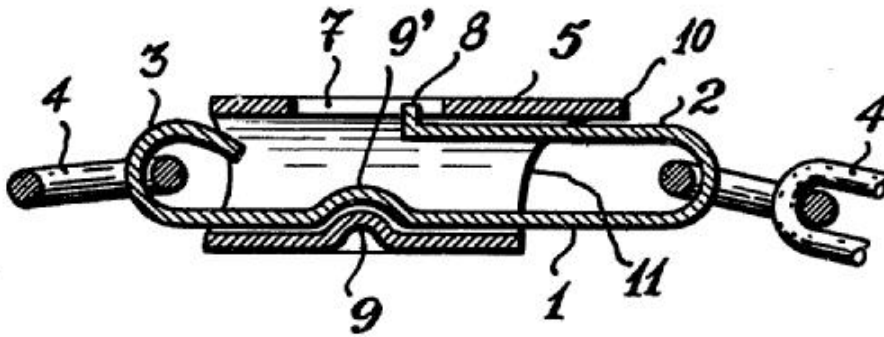
{Sliding hooks}

Definition statement

This place covers:

Illustrative example of subject matter classified in this group.

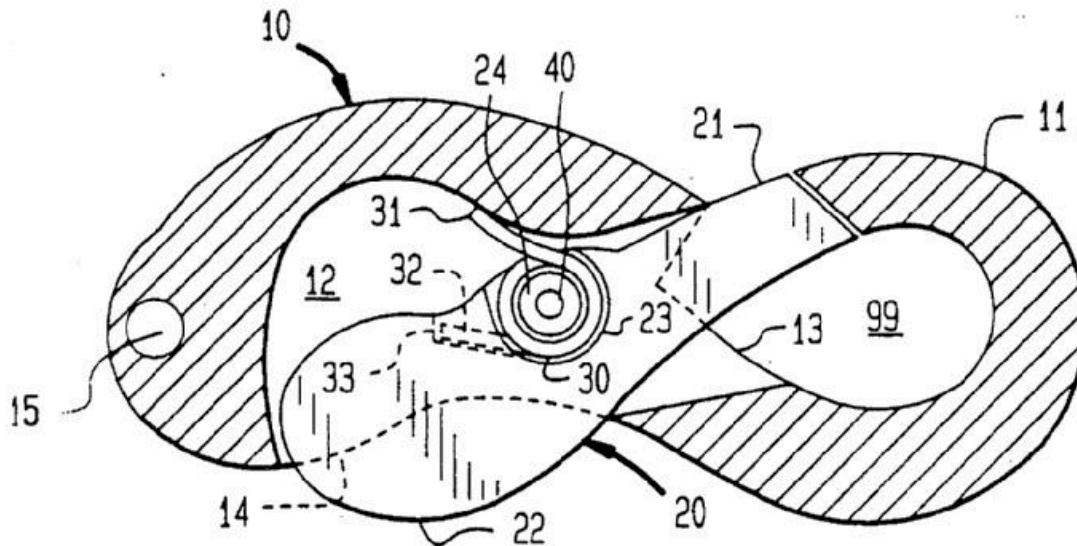
Abb. 1



A44C 5/2038**{Swivels}****Definition statement**

This place covers:

Illustrative example of subject matter classified in this group.

**Special rules of classification**

Comprises swivels with springs

Glossary of terms

In this place, the following terms or expressions are used with the meaning indicated:

| | |
|--------|---|
| Swivel | A simple fastening device made so that each half or part of the swivel itself can turn independently; e.g. a ring or staple with two parts where one is turning on a pin or the like. |
|--------|---|

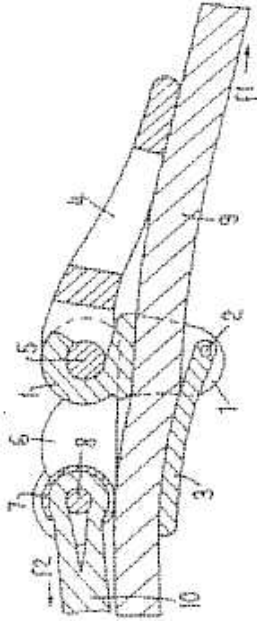
A44C 5/2042

{Fasteners provided with a turnable clamping lever}

Definition statement

This place covers:

140. [JP1158204](#) - CLAMPING TOOL



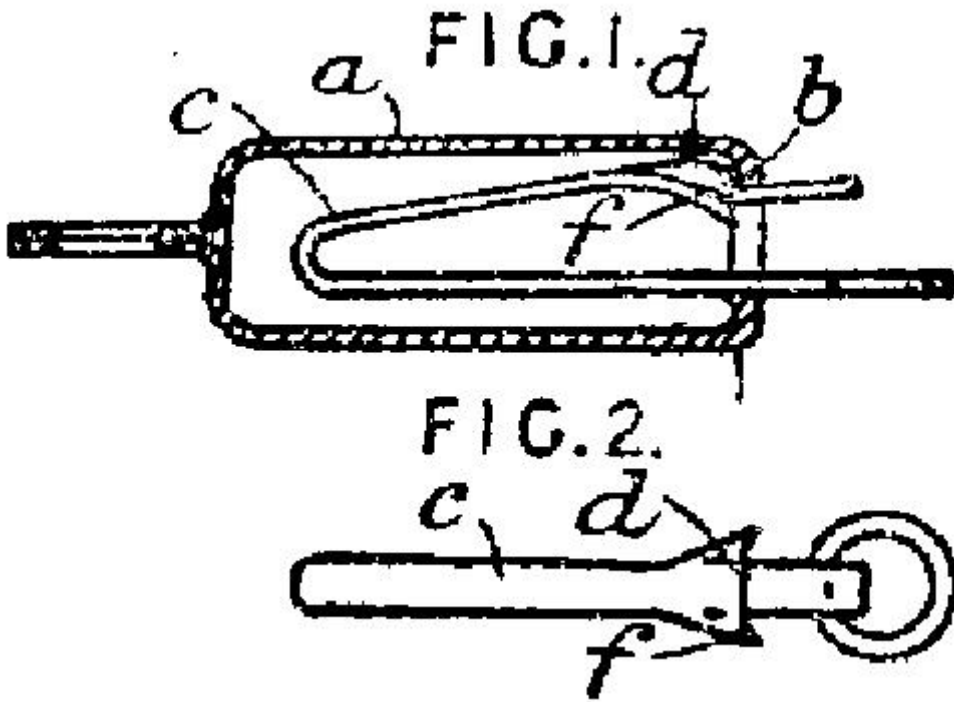
A44C 5/2047

{Fasteners provided with a V-shaped spring-tongue male member}

Definition statement

This place covers:

Illustrative example of subject matter classified in this group.

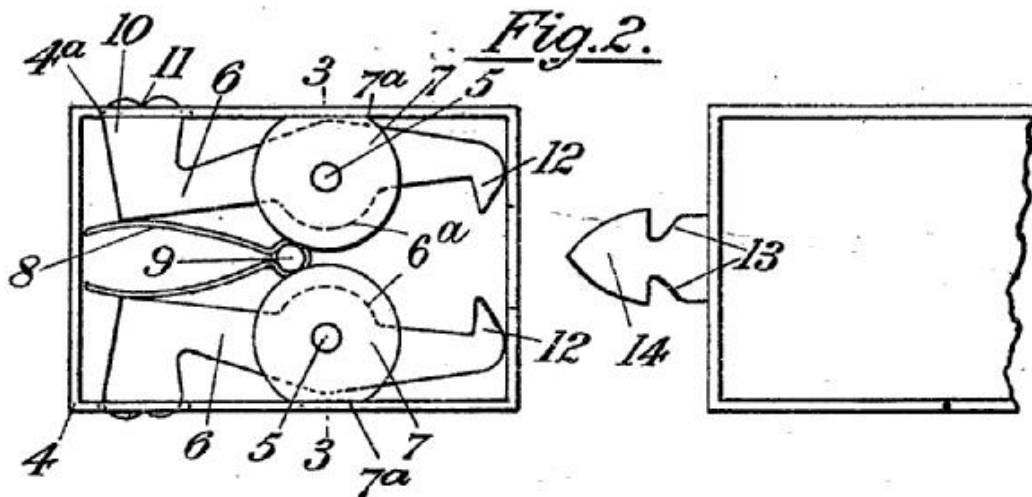


A44C 5/2052

{Fasteners provided with at least one push-button acting parallel to the main plane of the fastener and perpendicularly to the direction of the fastening ([A44C 5/2047](#) takes precedence)}

Definition statement

This place covers:

**Special rules of classification**

When push button is present, class in [A44C 5/2052](#). When there's no push button but only locking means, class in [A44C 5/2066](#).

A44C 5/2057

{Fasteners locked by sliding or rotating of the male element of the fastener;
Turn-button fasteners}

Definition statement

This place covers:

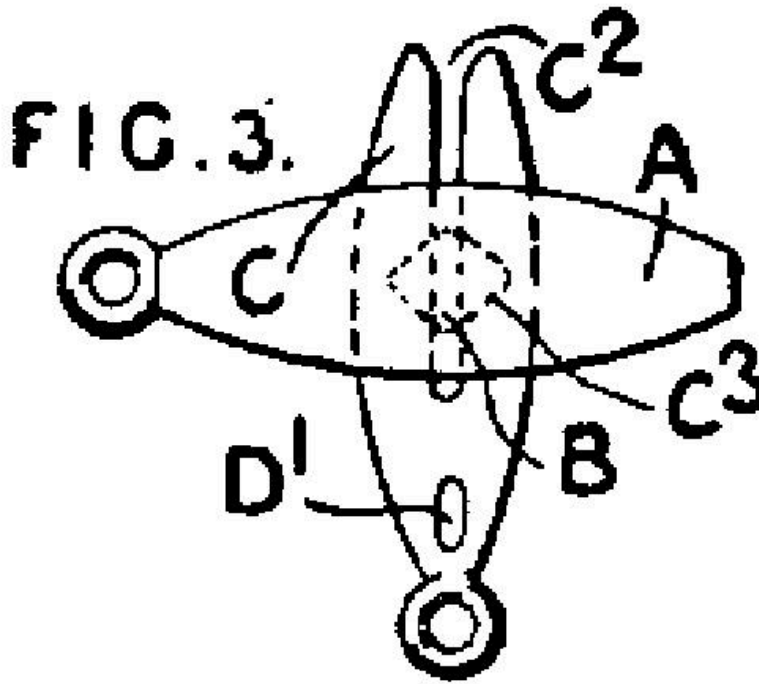
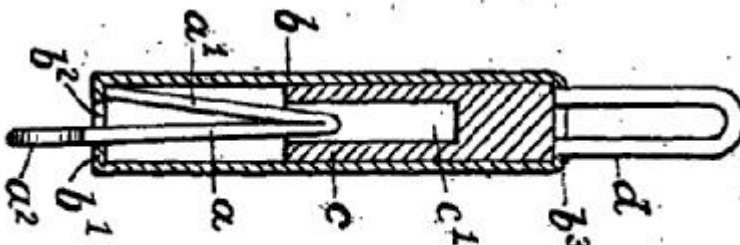
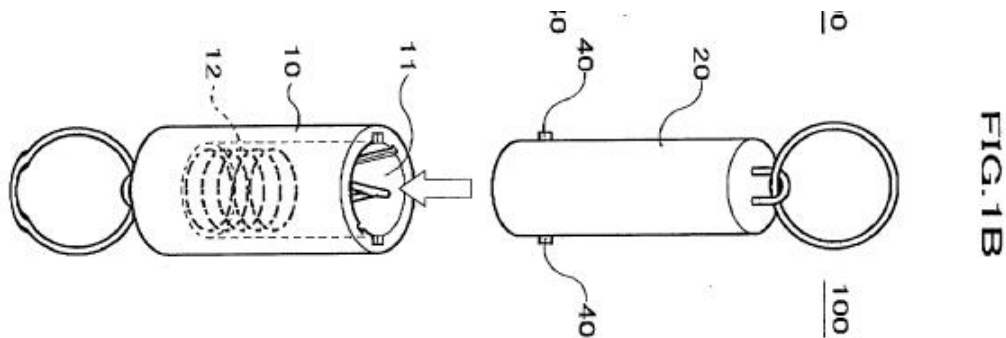
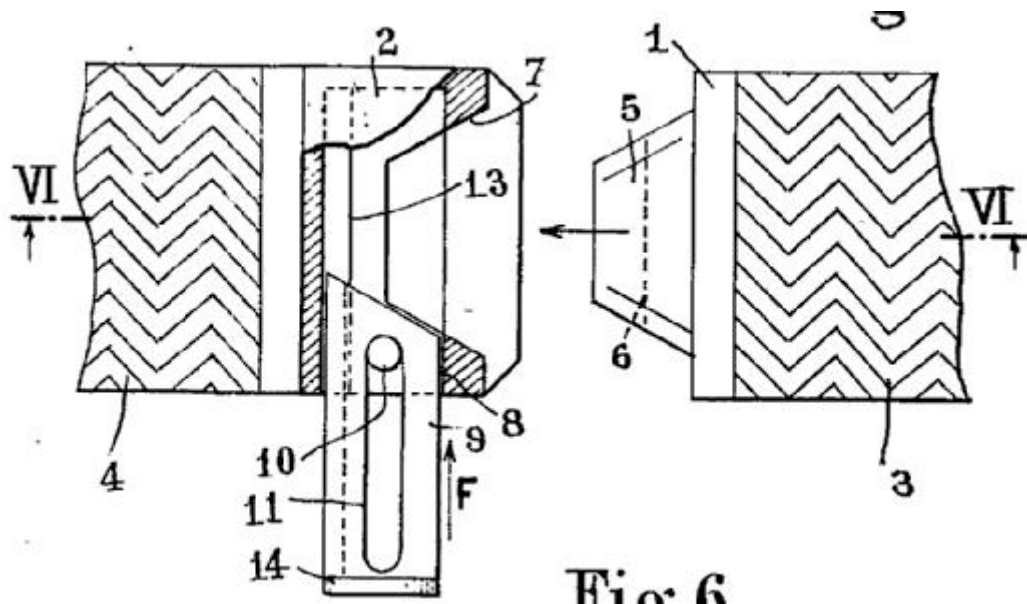


Fig.1.



A44C 5/2061**{combined with spring means}****Definition statement***This place covers:***A44C 5/2066****{Fasteners with locking means acting parallel to the main plane of the fastener and perpendicularly to the direction of the fastening}****Definition statement***This place covers:***Special rules of classification**

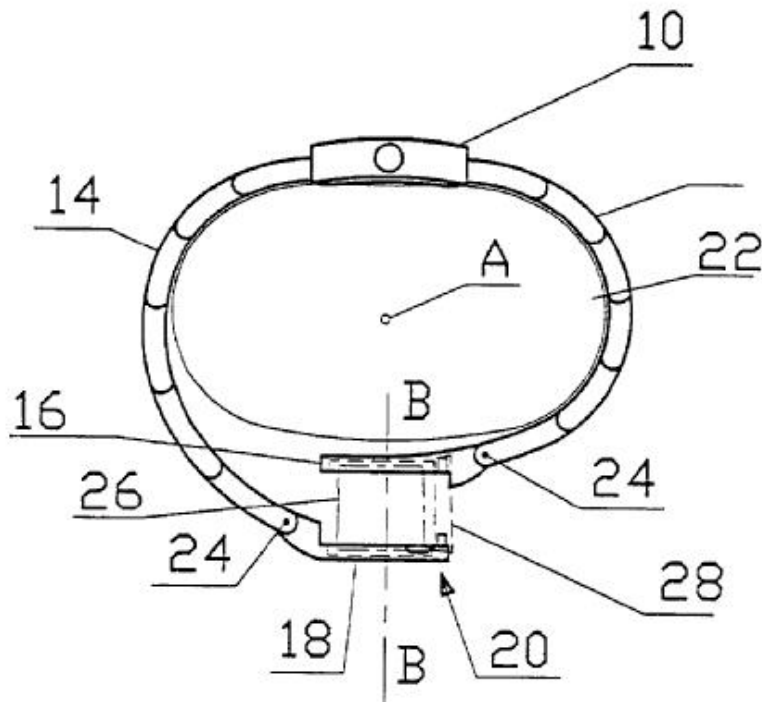
When push button is present, class in [A44C 5/2052](#). When there's no push button but only locking means, class in [A44C 5/2066](#).

A44C 5/2071

{with the two ends of the strap or chain overlapping each other and fastened by an action perpendicularly to the main plane of these two ends ([A44C 5/2009](#) - [A44C 5/2057](#) take precedence)}

Definition statement

This place covers:

**References****Limiting references**

This place does not cover:

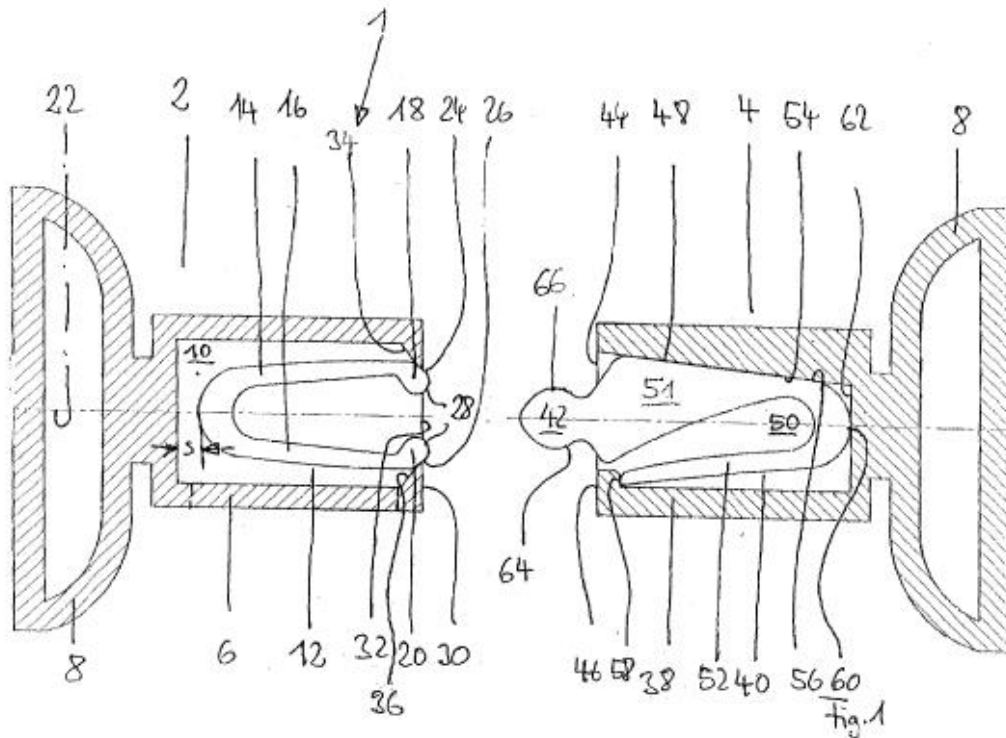
| | |
|---------------------------|--|
| Fasteners for open straps | A44C 5/2009 - A44C 5/2057 |
|---------------------------|--|

A44C 5/2076

{with the two ends of the strap or chain abutting each other or sliding in the main plane or a plane parallel to the main plane of these two ends (A44C 5/2009 - A44C 5/2061 take precedence)}

Definition statement

This place covers:



References

Limiting references

This place does not cover:

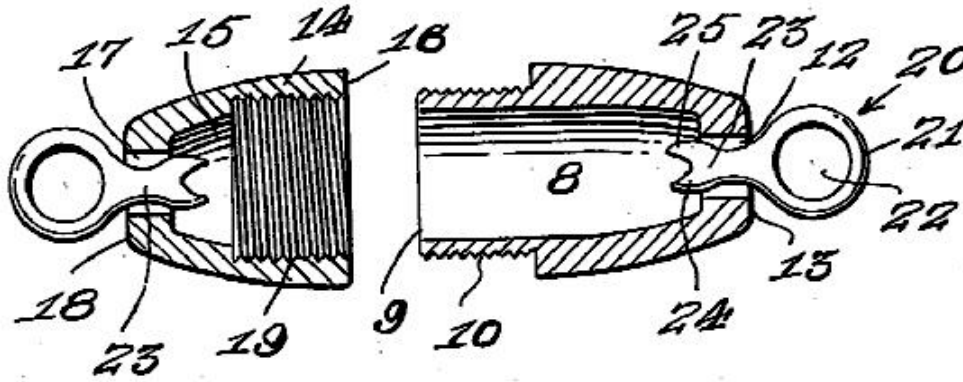
| | |
|---------------------------|--|
| Fasteners for open straps | A44C 5/2009 - A44C 5/2061 |
|---------------------------|--|

A44C 5/208

{being screwed to each other}

Definition statement

This place covers:

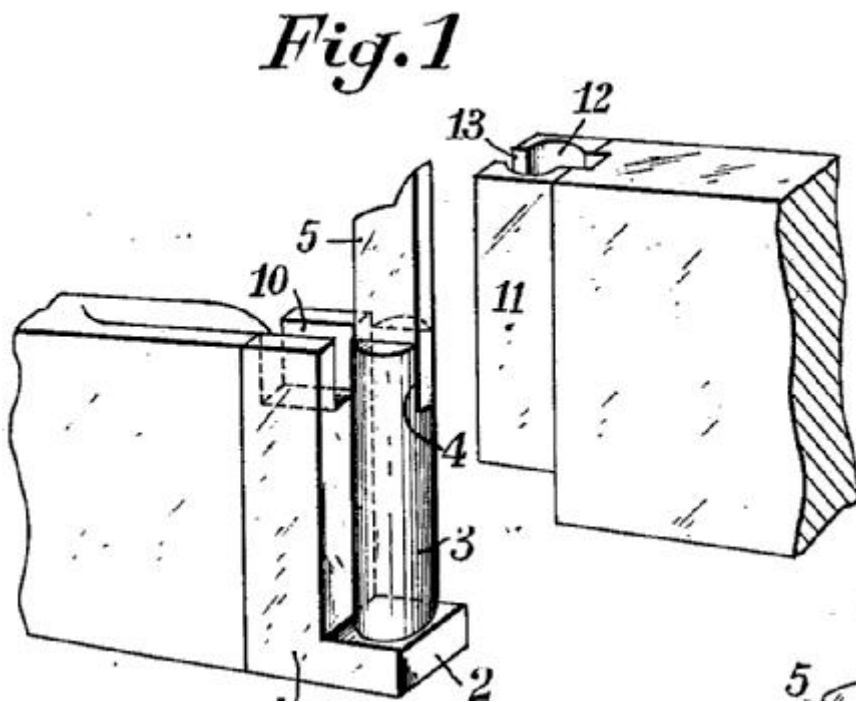


A44C 5/2085

{with the two ends sliding transversally to the main plane of the strap or chain}

Definition statement

This place covers:



A44C 5/209

{Fasteners specially adapted for necklaces or bracelets made of pearls}

Definition statement

This place covers:

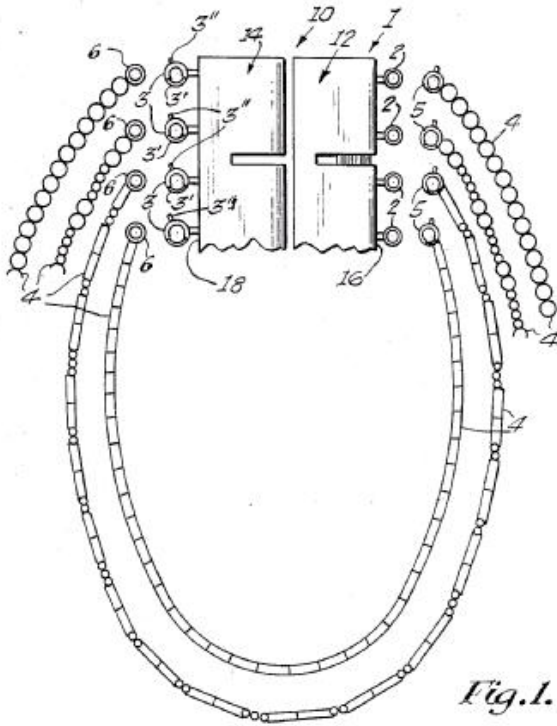


A44C 5/2095

{provided with retaining means for several strings of pearls}

Definition statement

This place covers:



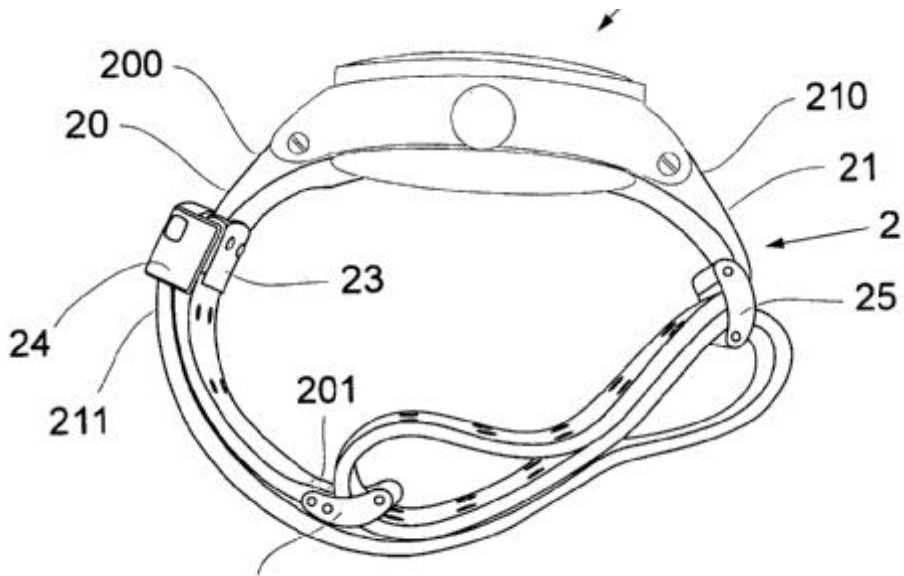
A44C 5/22

for closed straps

Definition statement

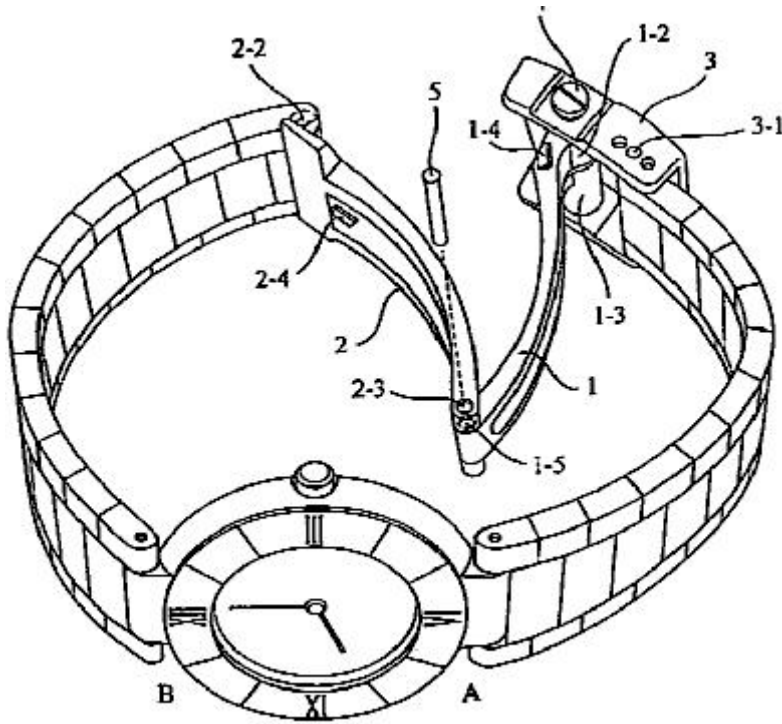
This place covers:

Illustrative example of subject matter classified in this group.



A44C 5/24**with folding devices****Definition statement***This place covers:*

Illustrative example of subject matter classified in this group

**A44C 7/001****{Devices for piercing the ear-lobes}****References****Limiting references***This place does not cover:*

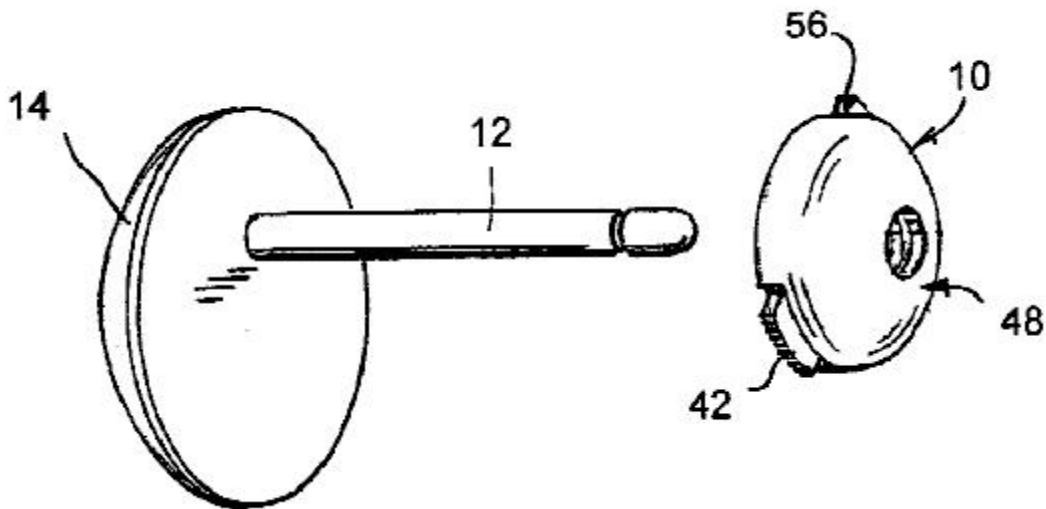
| | |
|--|------------------------------|
| Puncturing needles for implanting / removing devices | A61B 17/3468 |
| Body-piercing guide needles, catheters | A61M 25/06 |

A44C 7/003

{Ear-studs or their catch devices}

Definition statement

This place covers:

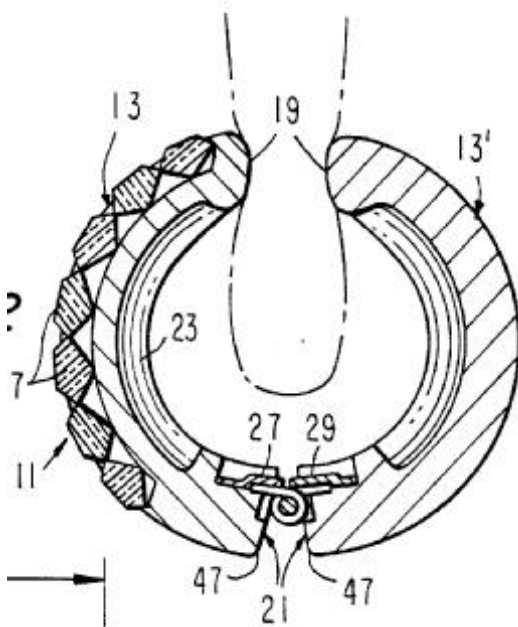


A44C 7/004

{Ear-clips}

Definition statement

This place covers:



Special rules of classification

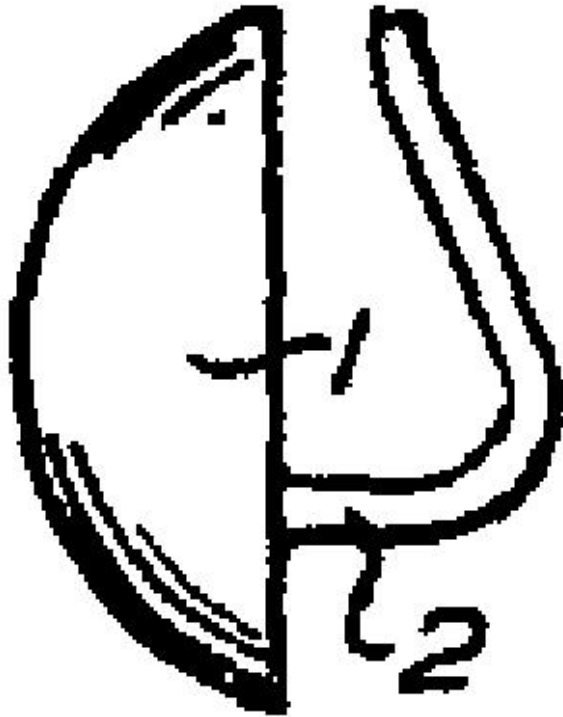
Comprises earrings for ears without piercing.

A44C 7/005

{made of one piece}

Definition statement

This place covers:

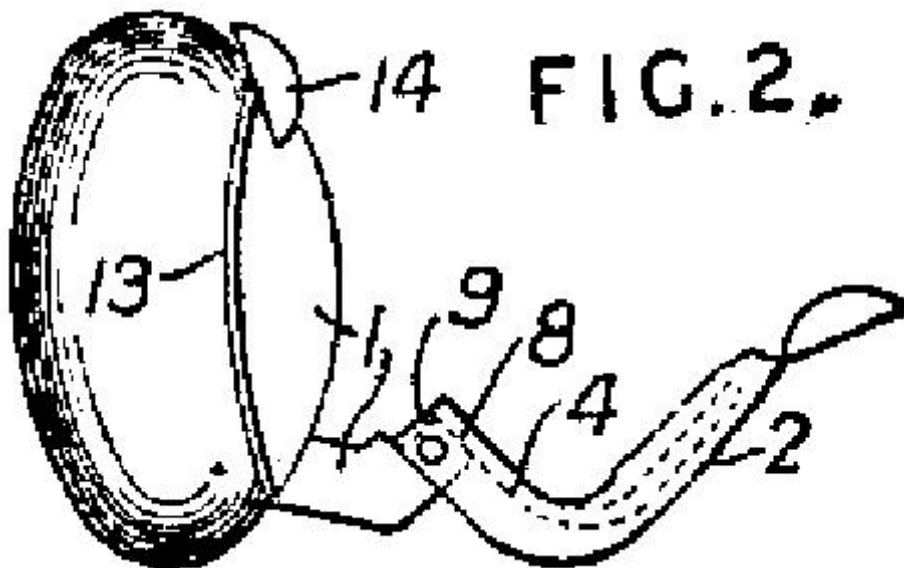


A44C 7/006

{with a pivotable back clamping arm}

Definition statement

This place covers:

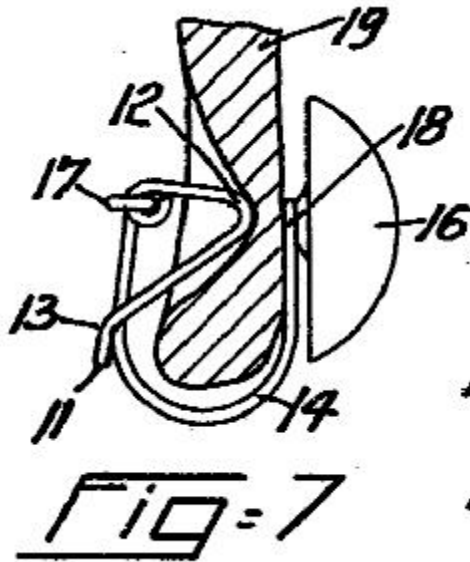


A44C 7/007

{with an ear gripping member mounted, e.g. pivotably, at the upper end of a back arm}

Definition statement

This place covers:

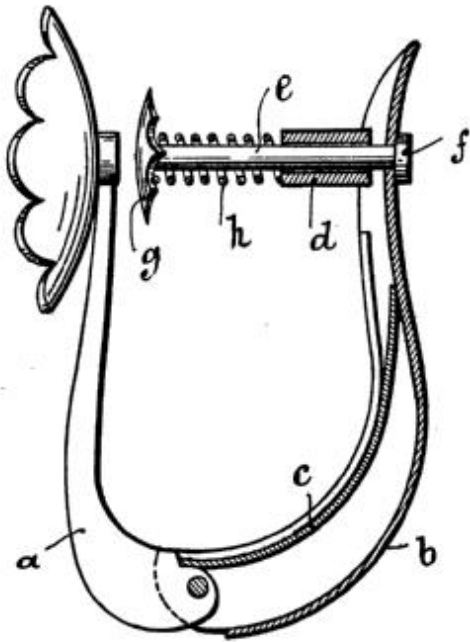


A44C 7/008

{movable axially}

Definition statement

This place covers:

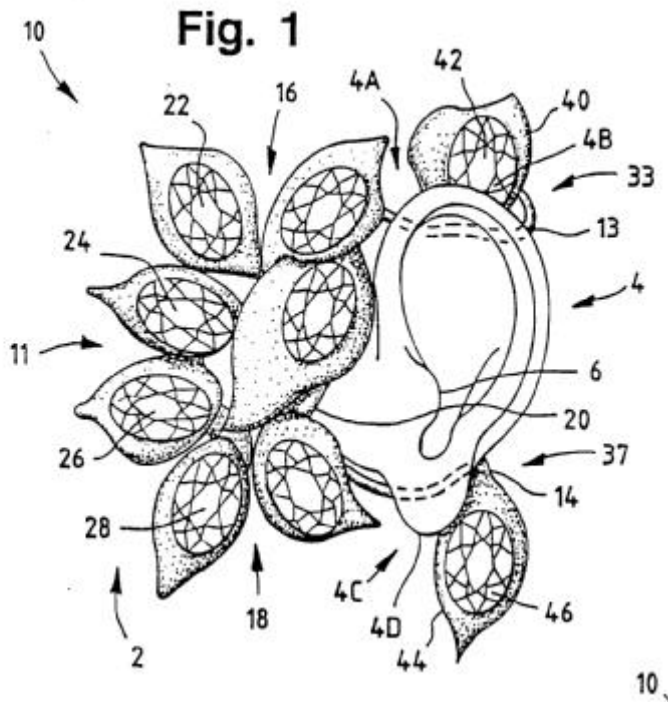


A44C 7/009

{Earrings covering the upper portion of the ear}

Definition statement

This place covers:



References

Limiting references

This place does not cover:

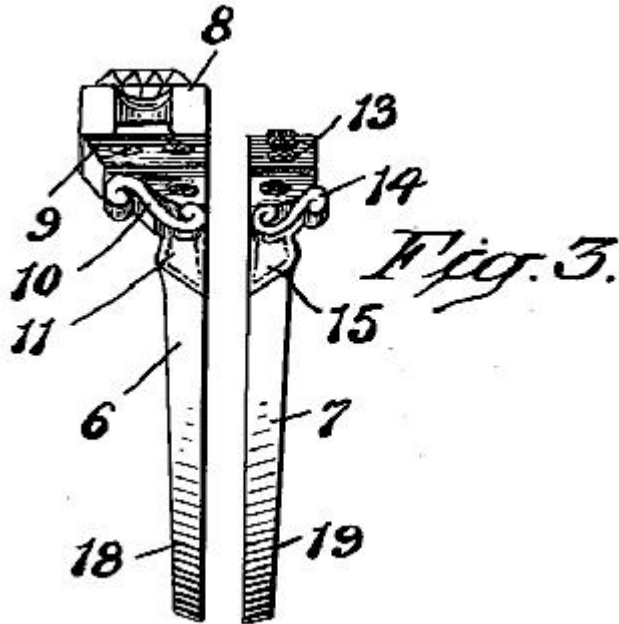
| | |
|--------------------------------------|---------------------------|
| Handsfree headsets for mobile phones | H04M 1/05 |
|--------------------------------------|---------------------------|

A44C 9/0007

{made of several rings}

Definition statement

This place covers:



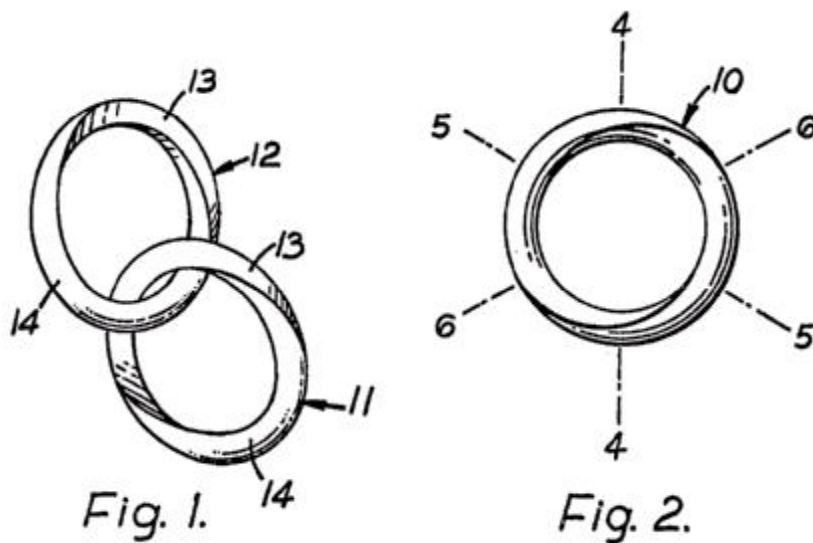
A44C 9/0015

{connected or interlinked to each other}

Definition statement

This place covers:

Illustrative example of subject matter classified in this group.

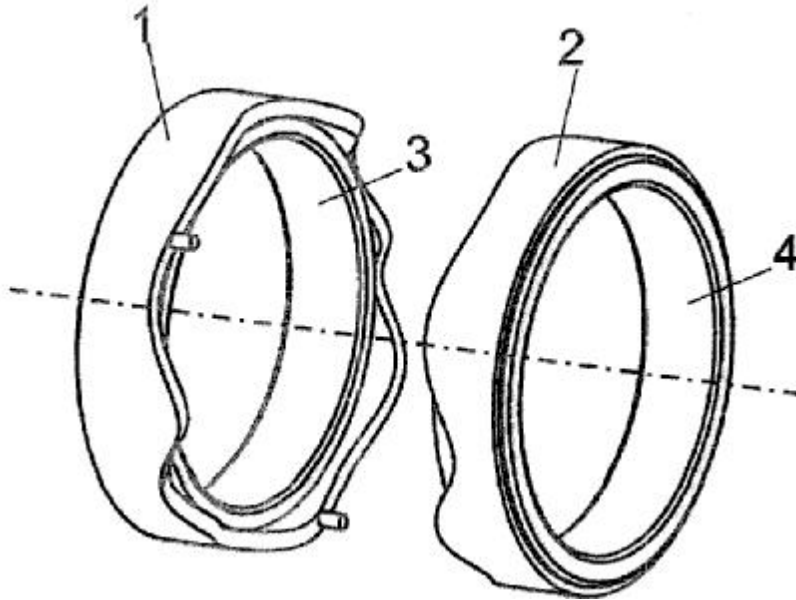


A44C 9/0023

{in a separable way}

Definition statement

This place covers:

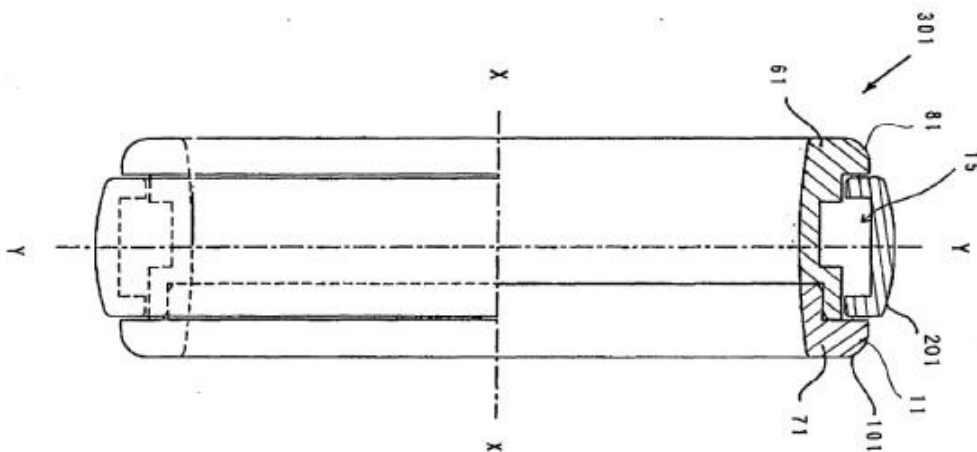


A44C 9/003

{in a rotatable way}

Definition statement

This place covers:

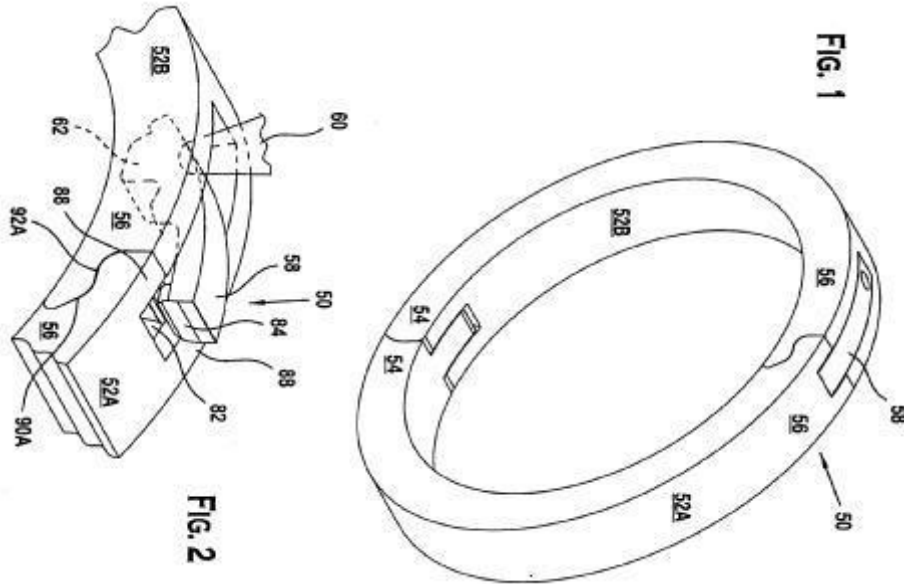


A44C 9/0038

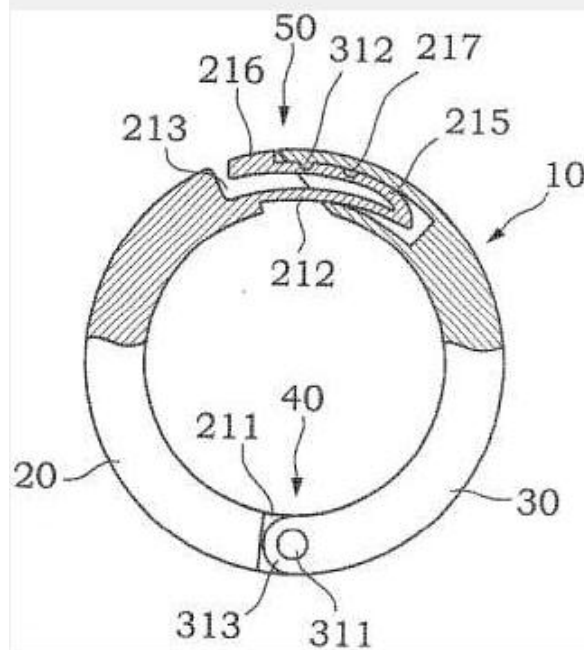
{openable or able to be broken for safety reasons}

Definition statement

This place covers:



101. [US2003177787](#) - Adjustable circumference finger ring



Special rules of classification

For adjustable rings in size, class in [A44C 9/02](#).

When ring is openable with a hinge and can be adjusted to different sizes class in [A44C 9/02](#) and in [A44C 9/0046](#)

A44C 9/0046

{comprising a hinge}

Special rules of classification

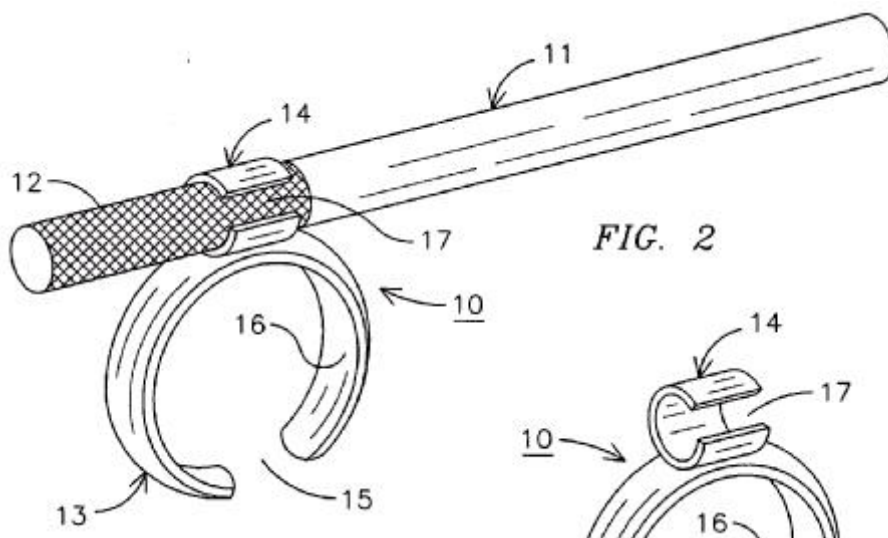
For adjustable rings in size, class in [A44C 9/02](#). When ring is openable with a hinge and can be adjusted to different sizes, class in [A44C 9/02](#) and in [A44C 9/0046](#).

A44C 9/0061

{Holding articles}

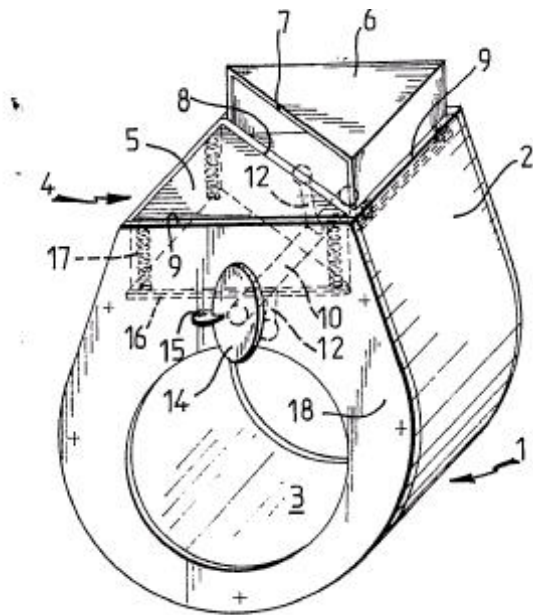
Definition statement

This place covers:

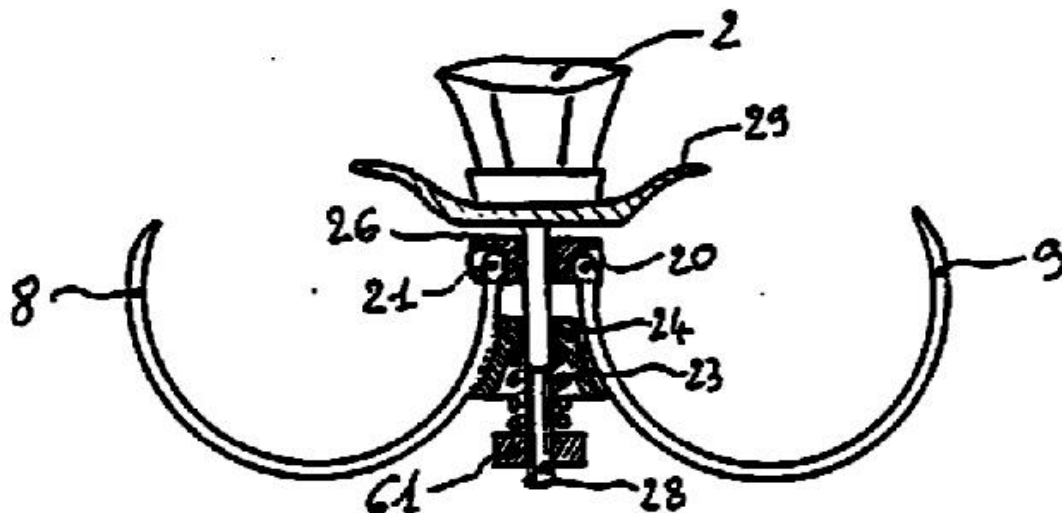


A44C 9/0069**{Storing articles, e.g. pills}****Definition statement***This place covers:*

Illustrative example of subject matter classified in this group.

**A44C 9/0076****{worn on several fingers or between fingers}****Definition statement***This place covers:*

Illustrative example of subject matter classified in this group.

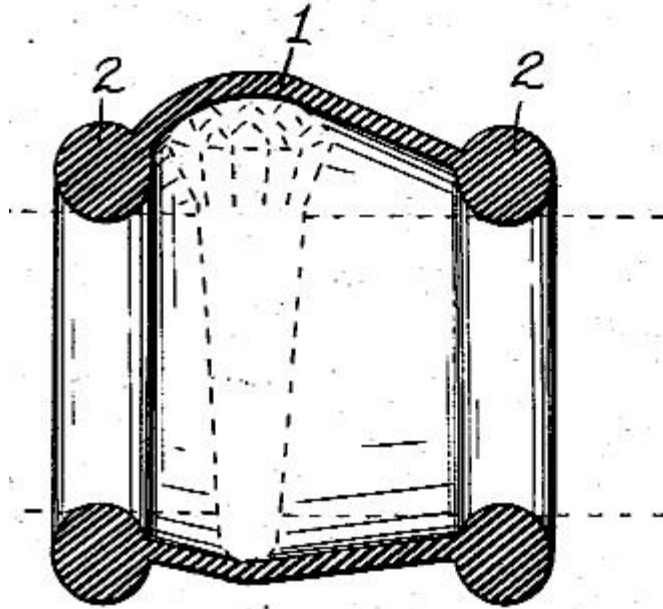


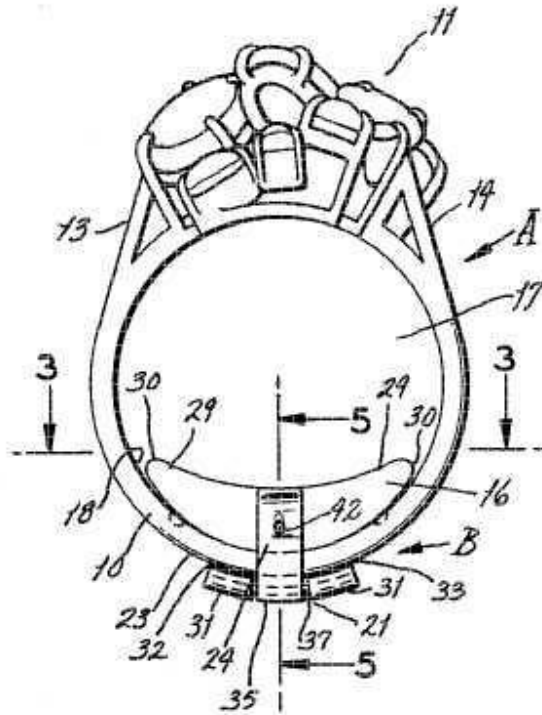
A44C 9/0092

{Ring protectors}

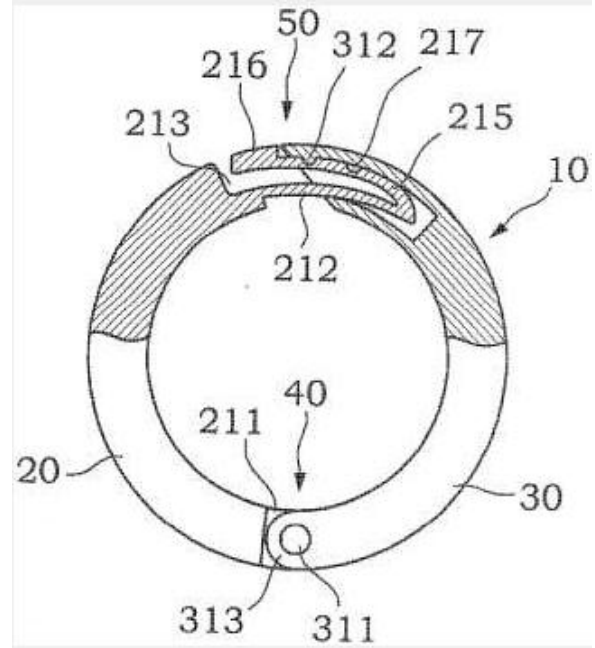
Definition statement

This place covers:



A44C 9/02**adjustable****Definition statement***This place covers:*

□ 101. [US2003177787](#) - Adjustable circumference finger ring

**References****Limiting references***This place does not cover:*

| | |
|-----------------------------|---------------------------|
| Measuring devices for rings | G01B 3/34 |
|-----------------------------|---------------------------|

Special rules of classification

Comprises adjustable rings in size. Adjustable rings do not comprise rings which open to allow easier donning.

For rings which are openable with a hinge class in [A44C 9/0046](#).

When ring is openable with a hinge and can be adjusted to different sizes, class in [A44C 9/02](#) and in [A44C 9/0046](#).

A44C 11/00

Watch chains; Ornamental chains {(fastening devices for watch or ornamental chains [A44C 5/18](#))}

References**Limiting references**

This place does not cover:

| | |
|--|-----------------------------|
| Fastening devices for watch or ornamental chains | A44C 5/18 |
| Making ornamental chains | B21L 11/005 |

Special rules of classification

Comprises chains in their ornamental aspect.

When link construction is relevant classify in [A44C 5/02](#) and lower groups.

A44C 11/002

{Ornamental chains composed of pearls (rosaries [A44C 23/00](#); making such chains [D04D 9/00](#))}

References**Limiting references**

This place does not cover:

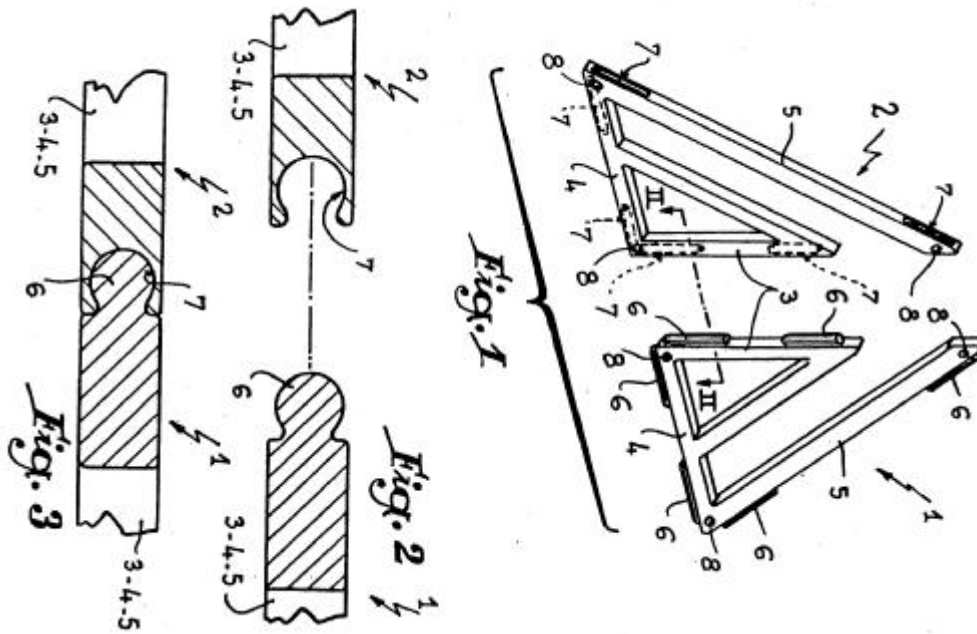
| | |
|--------------------|----------------------------|
| Rosaries | A44C 23/00 |
| Making such chains | D04D 9/00 |

Special rules of classification

Comprises also chains composed of gems or the like.

A44C 13/00**Connectible jewellery****Definition statement**

This place covers:

**References****Limiting references**

This place does not cover:

| | |
|-----------------------------|-----------------------------|
| Building blocks, toys | A63H 33/062 |
| Teaching elements, supports | G09B 1/02 |
| Atomic models for teaching | G09B 23/26 |

Special rules of classification

When connection is a fastener for straps classify in [A44C 5/18](#) and lower groups.

A44C 15/00**Other forms of jewellery****References****Limiting references**

This place does not cover:

| | |
|---|---------------------------|
| Processes for producing special ornamental bodies | B44C 5/00 |
|---|---------------------------|

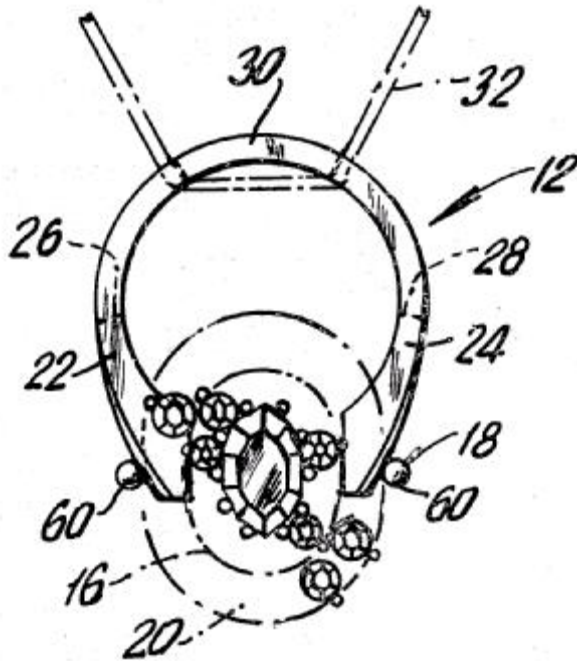
A44C 15/001

{Jewels transformable into other jewels, e.g. finger rings transformable into ear-rings}

Definition statement

This place covers:

Illustrative example of subject matter classified in this group.

**A44C 15/0015**

{Illuminated or sound-producing jewellery}

References**Informative references**

Attention is drawn to the following places, which may be of interest for search:

| | |
|---------------------------------------|----------------------------|
| Electroluminescent light source, LEDs | H05B 33/00 |
|---------------------------------------|----------------------------|

A44C 15/002

{Jewellery dispersing perfume or the like}

References**Limiting references**

This place does not cover:

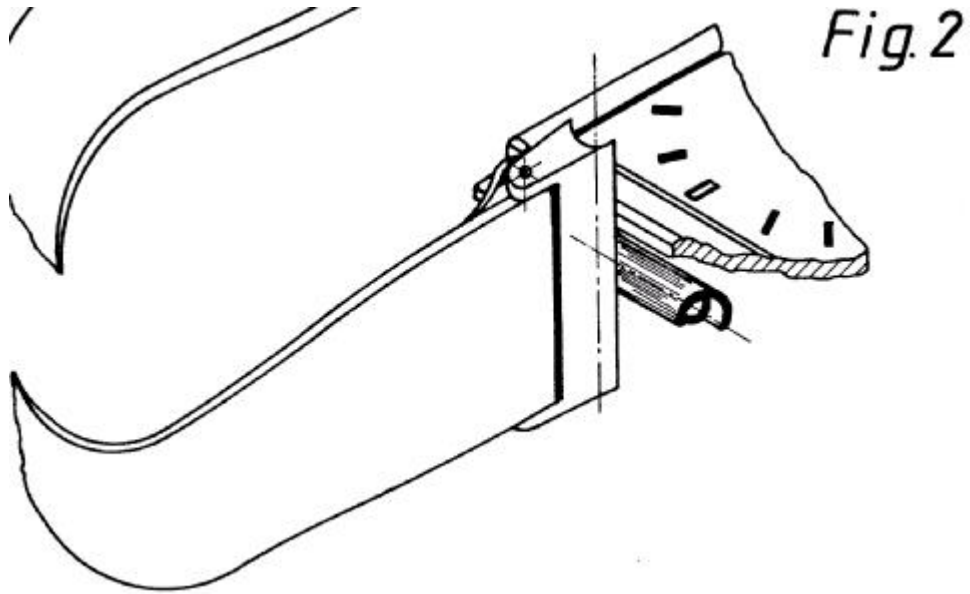
| | |
|--------------------------------|-----------------------------|
| Holders for insecticides | A01M 1/2044 |
| Containers for holding perfume | A45D 34/00 |
| Holders for air deodorants | A61L 9/12 |

A44C 15/0025

{Reversible or double face jewellery}

Definition statement

This place covers:

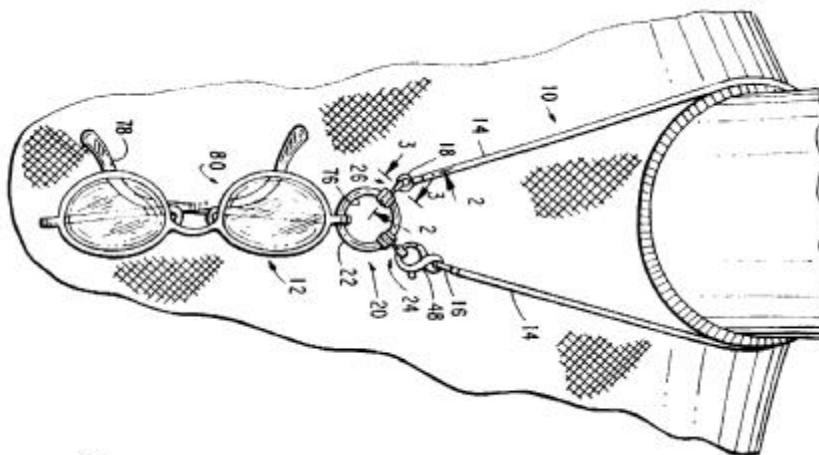


A44C 15/003

{Jewellery holding or retaining articles, e.g. eyeglasses}

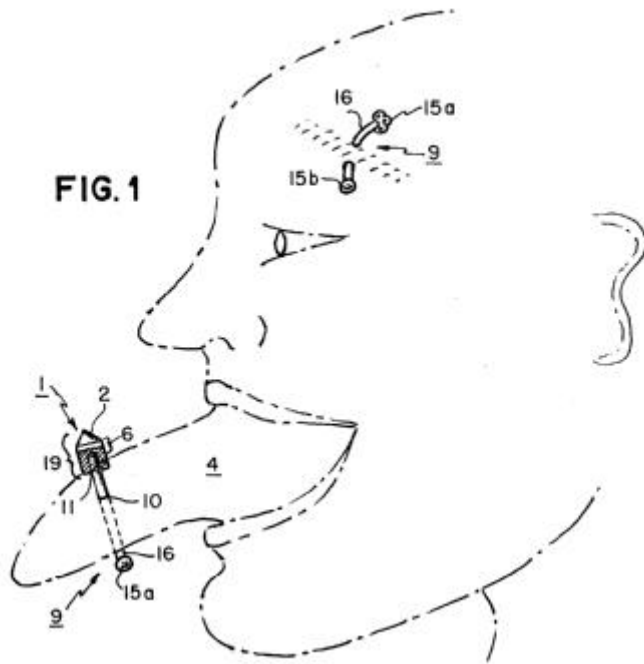
Definition statement

This place covers:



A44C 15/0035**{Piercing type jewellery (earrings [A44C 7/00](#))}****Definition statement***This place covers:*

Illustrative example of subject matter classified in this group.

**References****Limiting references***This place does not cover:*

| | |
|----------|---------------------------|
| Earrings | A44C 7/00 |
|----------|---------------------------|

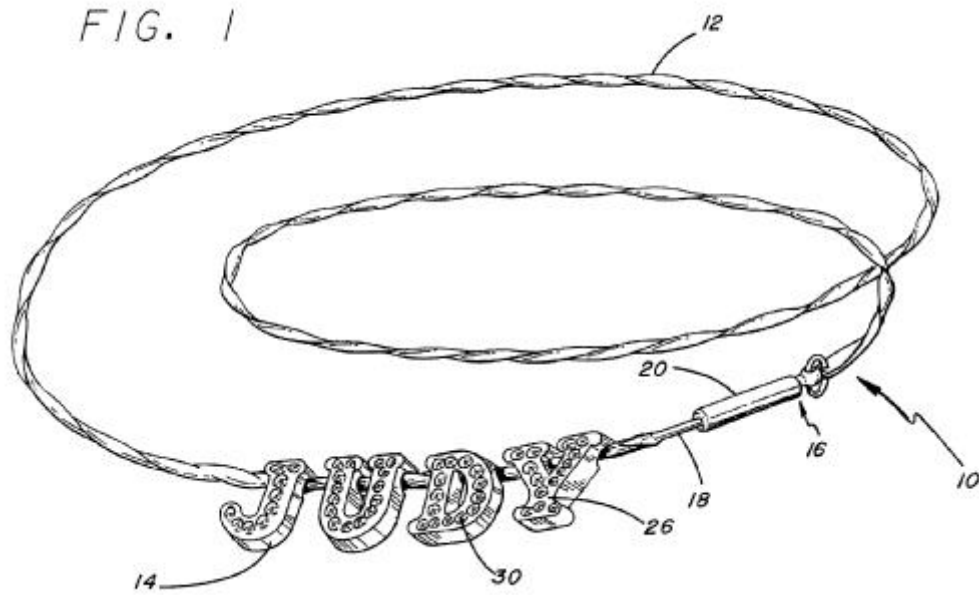
A44C 15/004

{Jewellery with monograms or other inscription}

Definition statement

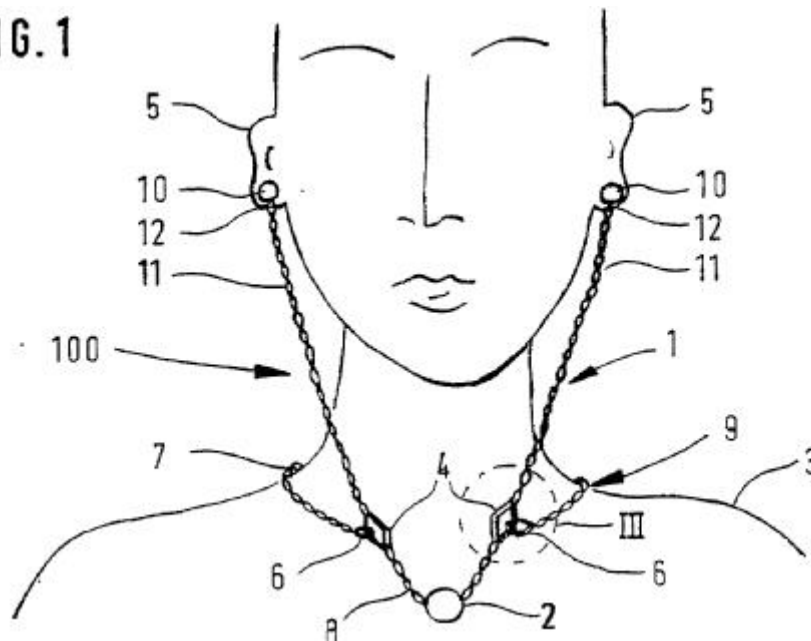
This place covers:

Illustrative example of subject matter classified in this group.



A44C 15/0055**{combined with other jewels, e.g. earrings}****Definition statement***This place covers:*

Illustrative example of subject matter classified in this group.

FIG. 1**A44C 15/007****{on the teeth, e.g. settings or decorations}****References****Limiting references***This place does not cover:*

| | |
|-----------------|---------------------------|
| Dental brackets | A61C 7/14 |
|-----------------|---------------------------|

A44C 17/00**Gems or the like****References****Limiting references***This place does not cover:*

| | |
|---|---|
| Devices for grinding edges or bevels, specially designed with respect to properties of diamonds, jewels.. | B24B 9/16 |
| Fine working of gems | B28D 5/00 |
| Coating of metal and marking stones (safety of diamonds) | C04B 41/00 |
| Vapor deposition for forming diamonds | C30B 25/00 , C23C 16/27 |

| | |
|--|----------------------------|
| After-treatment of crystals | C30B 33/00 |
| Investigating jewels by optical means | G01N 21/87 |
| Diffraction gratings in optical elements | G02B 5/18 |
| Optics | G02F 1/00 |
| Theft alarms | G08B 13/14 |

A44C 17/001

{Faceting gems}

References

Limiting references

This place does not cover:

| | |
|--|---------------------------|
| Devices for grinding edges or bevels, specially designed with respect to properties of diamonds, jewels. | B24B 9/16 |
| Fine working of gems | B28D 5/00 |

Glossary of terms

In this place, the following terms or expressions are used with the meaning indicated:

| | |
|--------|--|
| Girdle | The line or rim dividing the two faces of a brilliant. |
|--------|--|

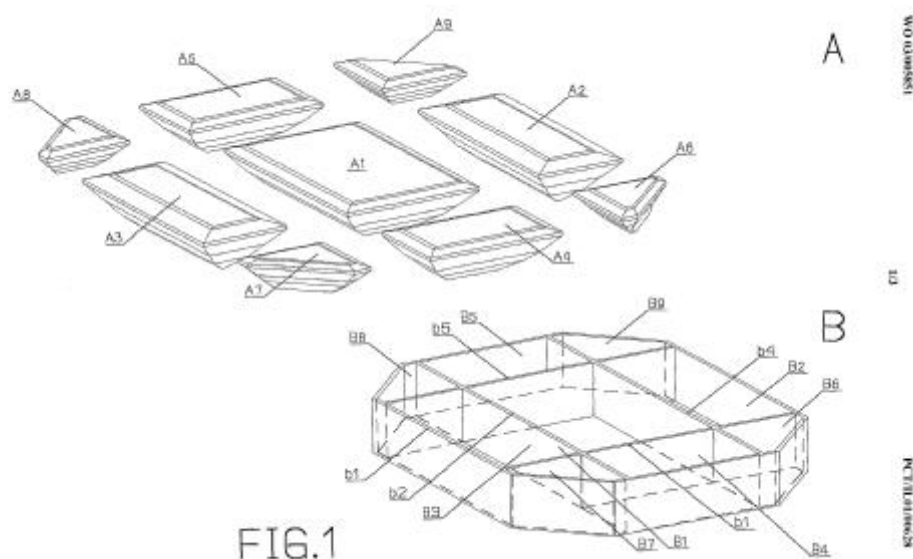
A44C 17/002

{Gems made of several cut pieces}

Definition statement

This place covers:

Illustrative example of subject matter classified in this group.



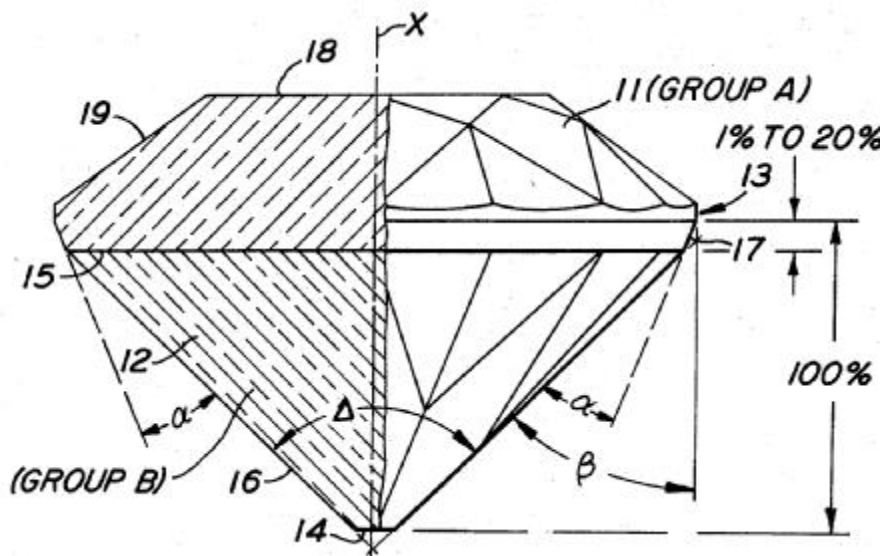
A44C 17/003

{Doublet stones}

Definition statement

This place covers:

Illustrative example of subject matter classified in this group.



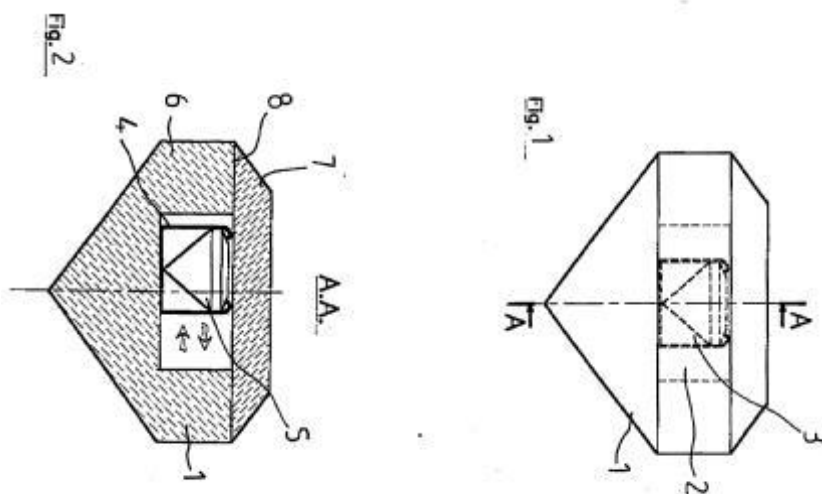
A44C 17/006

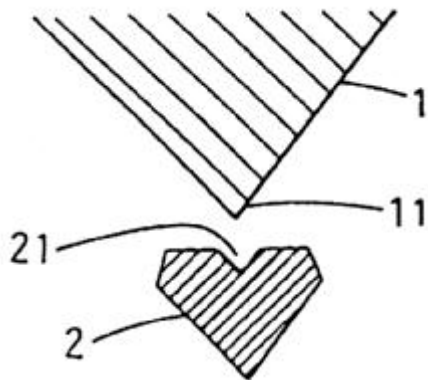
{Gems provided with a cavity, e.g. for containing another gem}

Definition statement

This place covers:

Illustrative example of subject matter classified in this group.





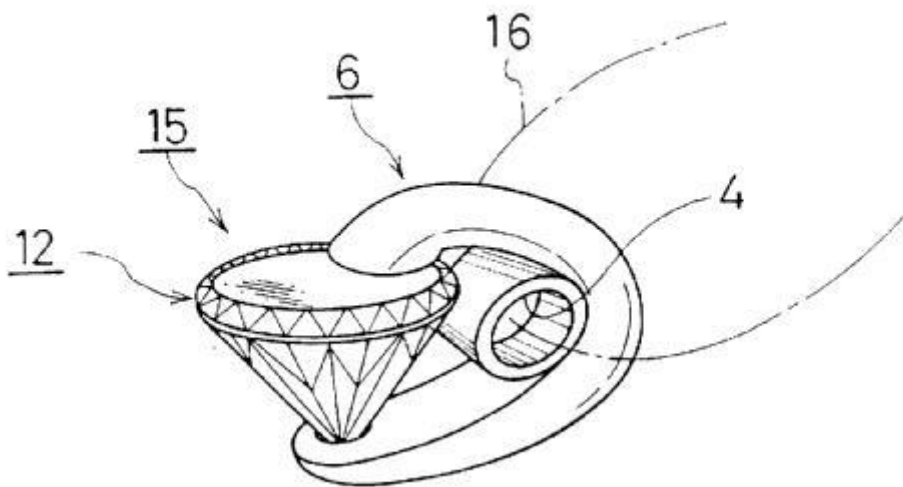
A44C 17/02

Settings for holding gems {or the like, e.g. for ornaments or decorations}

Definition statement

This place covers:

Illustrative example of subject matter classified in this group.



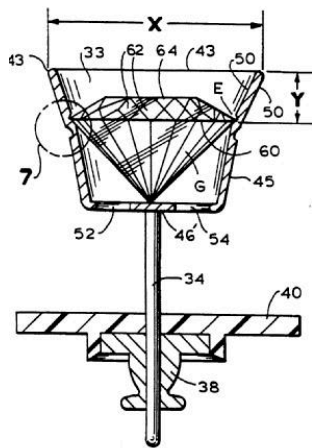
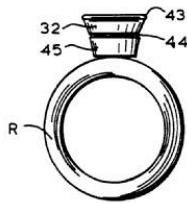


FIG. 9



References

Limiting references

This place does not cover:

| | |
|-------------------------------------|--|
| Dop holders (for grinding machines) | B24B 9/161 |
| Supports for fine working of gems | B28D 5/0094 |
| Optical means for visual inspection | G01N 21/8803 , G01N 21/95 |

Special rules of classification

Difference between [A44C 17/02](#) & [A44C 17/04](#):

[A44C 17/02](#) Removable or non removable settings not needing more than minor jewellery work.

[A44C 17/04](#) More technical settings, needing a more intensive jewellery work, often claimed by a method.

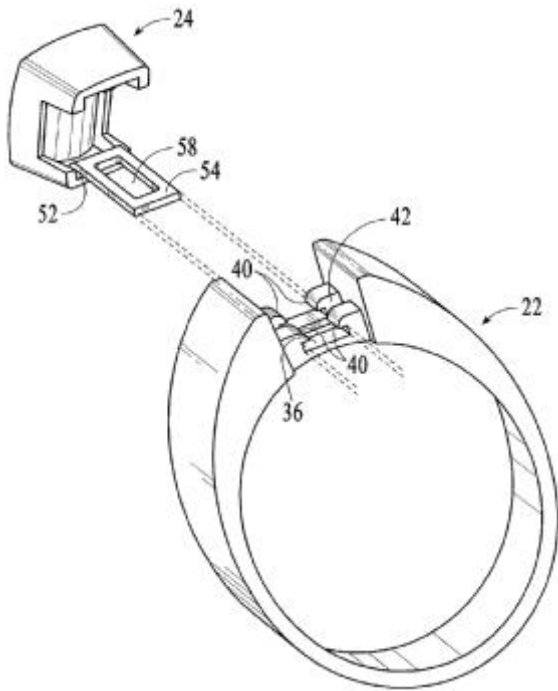
A44C 17/0208

{removable}

Definition statement

This place covers:

Illustrative example of subject matter classified in this group.



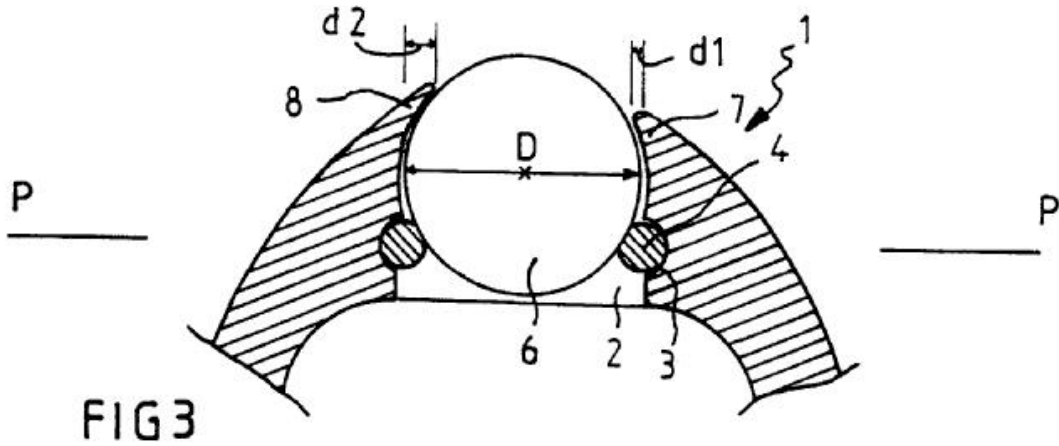
A44C 17/0216

{with automatic locking action, e.g. by using a spring}

Definition statement

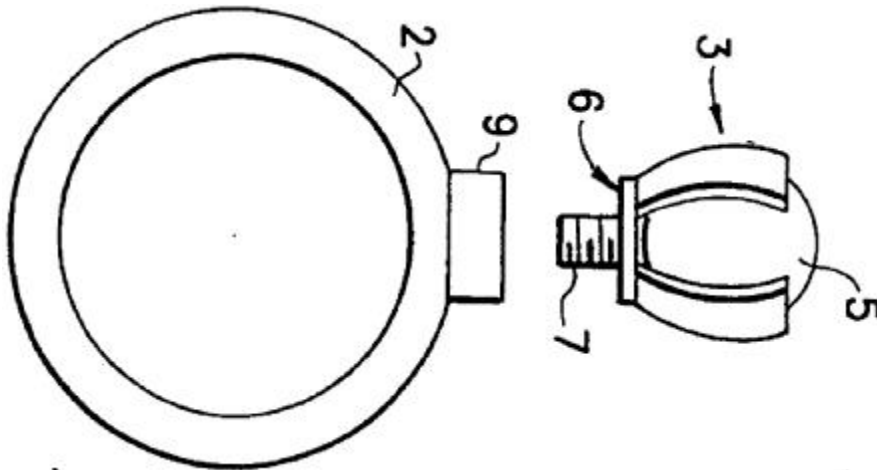
This place covers:

Illustrative example of subject matter classified in this group.

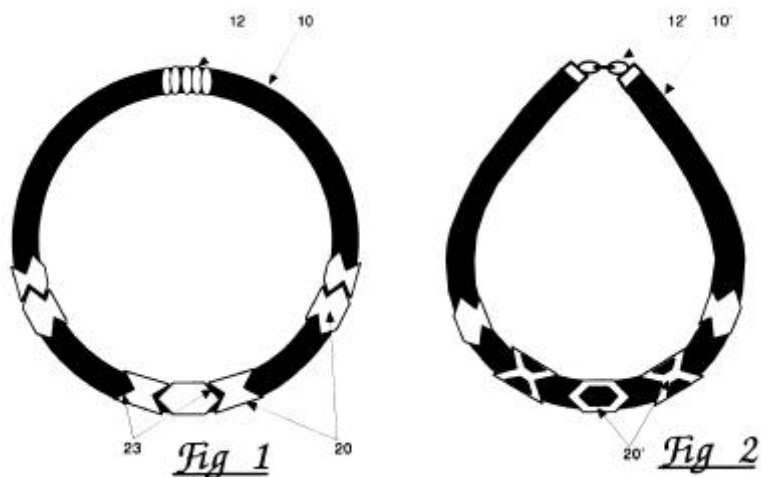


A44C 17/0233**{using screws or screwed elements}****Definition statement***This place covers:*

Illustrative example of subject matter classified in this group.

**A44C 17/0241****{slidably arranged}****Definition statement***This place covers:*

Illustrative example of subject matter classified in this group.



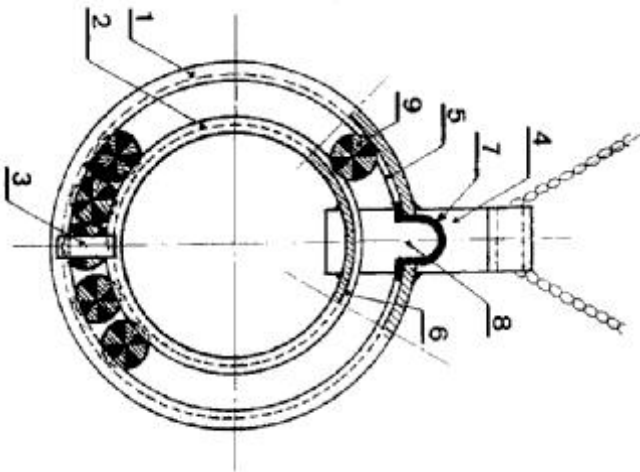
A44C 17/025

{with the gem sliding along guiding rails}

Definition statement

This place covers:

Illustrative example of subject matter classified in this group.



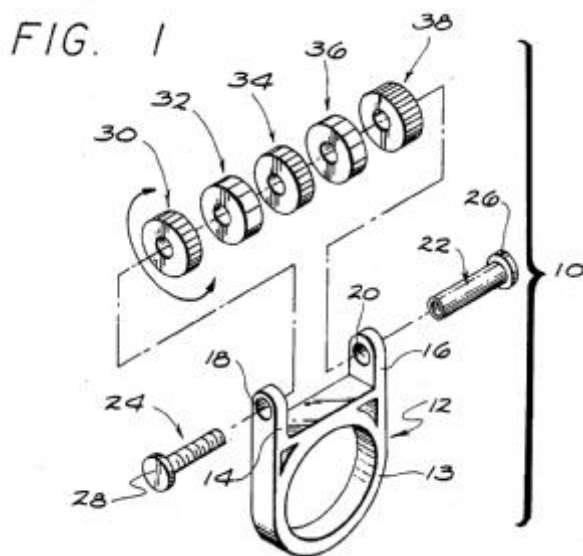
A44C 17/0258

{rotatably or pivotably arranged}

Definition statement

This place covers:

Illustrative example of subject matter classified in this group.



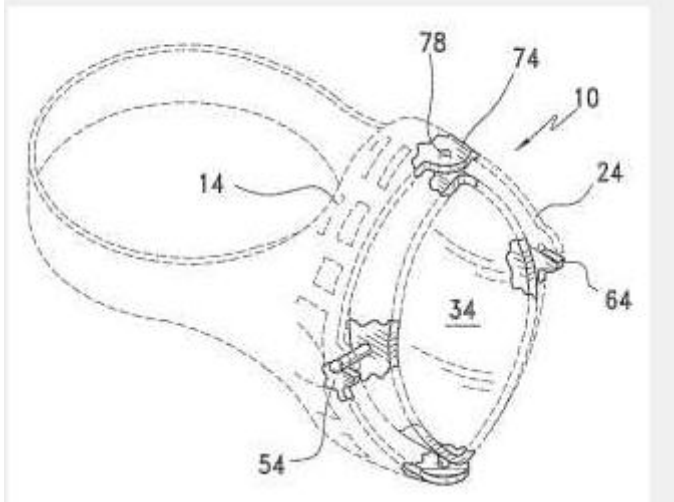
A44C 17/0266

{with means for maintaining a pivoted position}

Definition statement

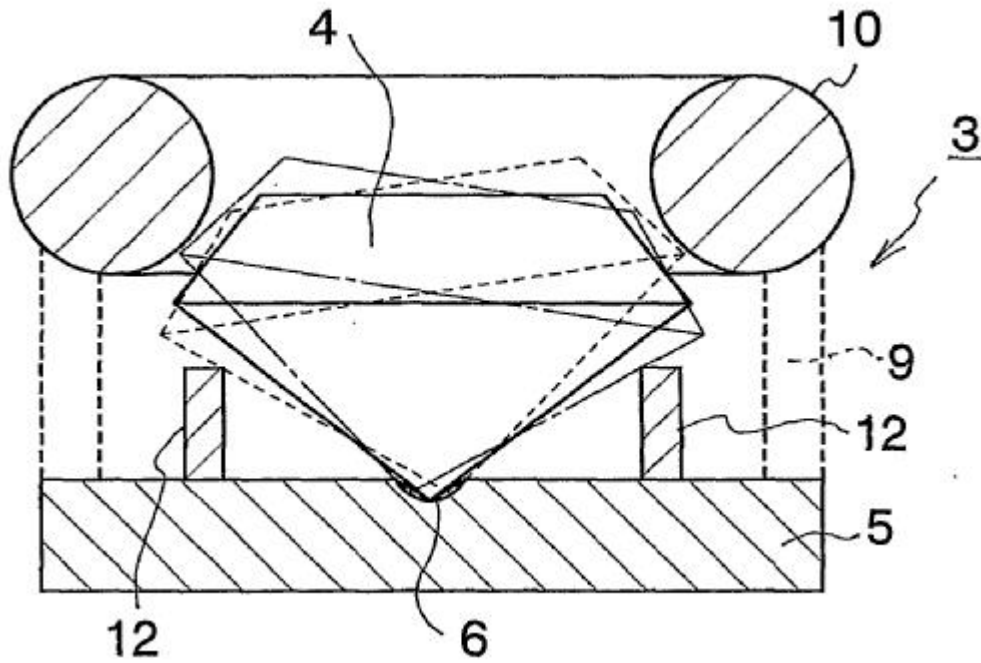
This place covers:

18. [WO2005025365](#) - (A2 A3) JEWELRY SETTING, PARTICULARLY SUITED FOR DISPLAYING MULTIPLE FACES OR GEM STONES



A44C 17/0275**{in an oscillating way}****Definition statement***This place covers:*

Illustrative example of subject matter classified in this group.



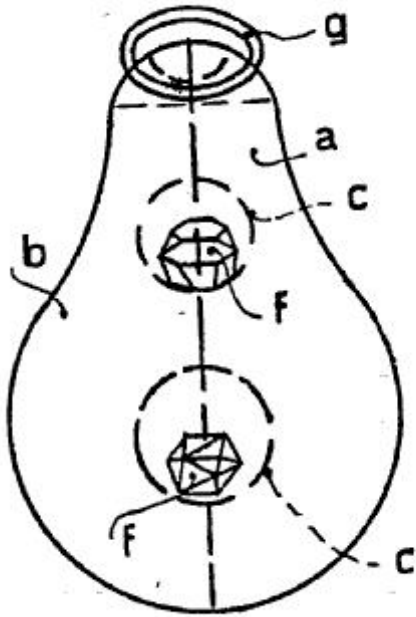
A44C 17/0283

{moving freely inside a setting}

Definition statement

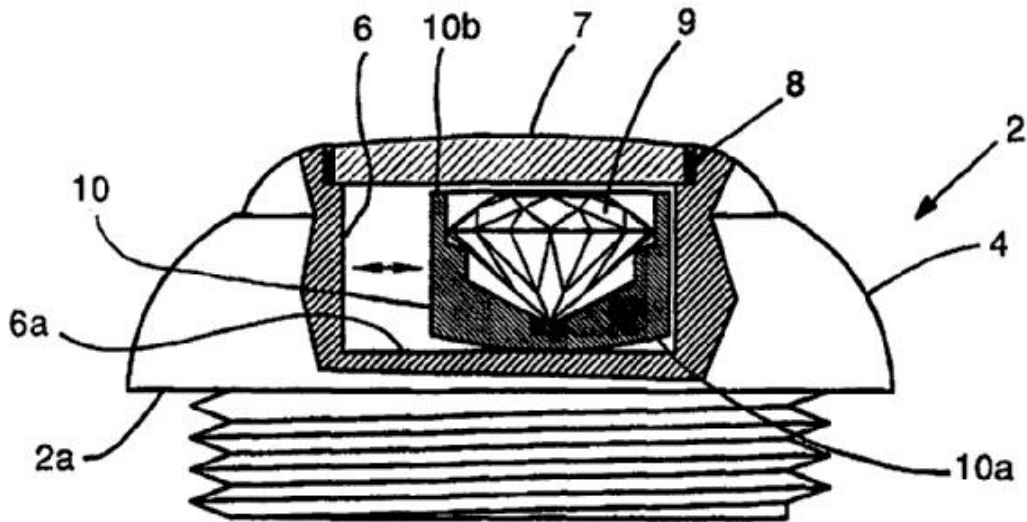
This place covers:

Illustrative example of subject matter classified in this group.

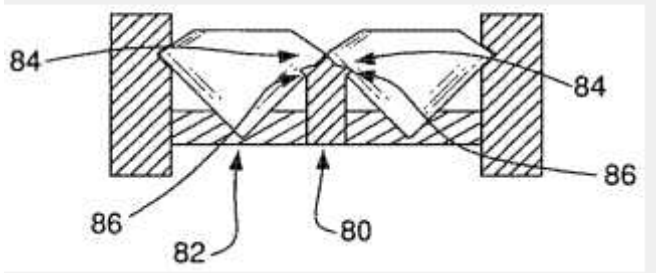


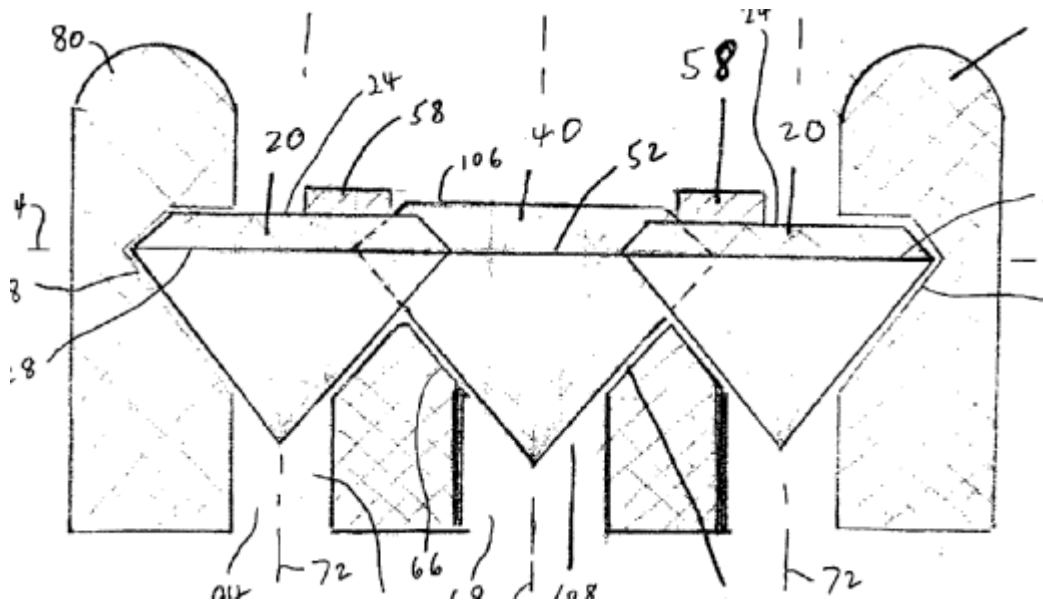
A44C 17/0291**{in the same plane}****Definition statement***This place covers:*

Illustrative example of subject matter classified in this group.

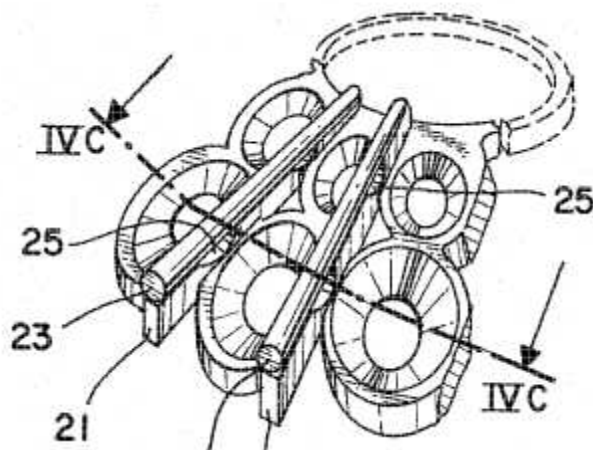
**A44C 17/04****Setting gems in jewellery; Setting-tools****Definition statement***This place covers:*

□ 101. [US2005210677](#) - (A1 B2) Method for securing gemstones in an effectively invisible setting





□ 524. [US4222245](#) - Setting for precious stones or the like and a method for mounting precious stones or the like in a setting



References

Limiting references

This place does not cover:

| | |
|--|---------------------------|
| Setting gems on metal parts, e.g. on tools | B23P 5/00 |
|--|---------------------------|

Special rules of classification

Difference between [A44C 17/02](#) & [A44C 17/04](#):

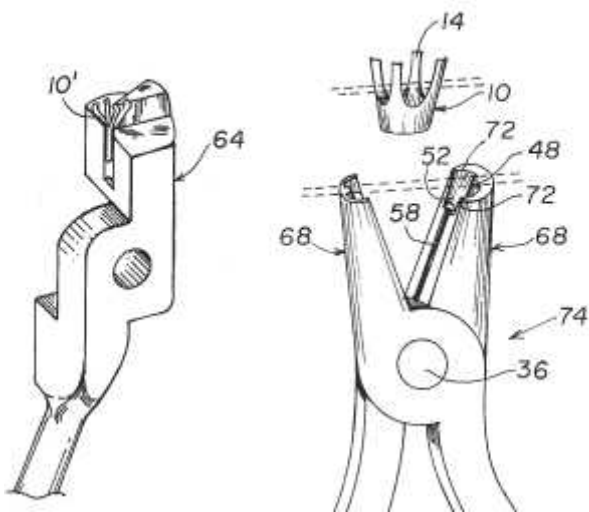
[A44C 17/02](#) Removable or non removable settings not needing more than minor jewellery work.

[A44C 17/04](#) More technical settings, needing a more intensiv jewellery work, often claimed by a method.

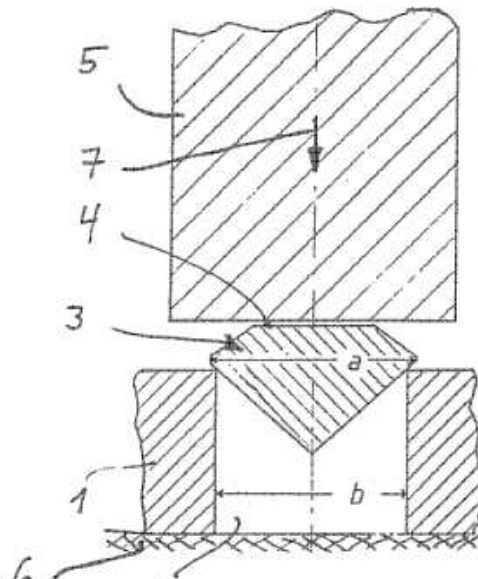
A44C 17/043**{Setting-tools}****Definition statement**

This place covers:

50. [US5855048](#) - Jeweler's stone setting tool



□ 73. [EP0367923](#) - (A2 B1) Process for setting precious stones, especially brilliants. - (A3) PROCESS AND DEVICE FOR SETTING PRECIOUS STONES, ESPECIALLY BRILLIANTS

**References****Limiting references**

This place does not cover:

| | |
|--|---------------------------|
| Setting gems on metal parts, e.g. on tools | B23P 5/00 |
|--|---------------------------|

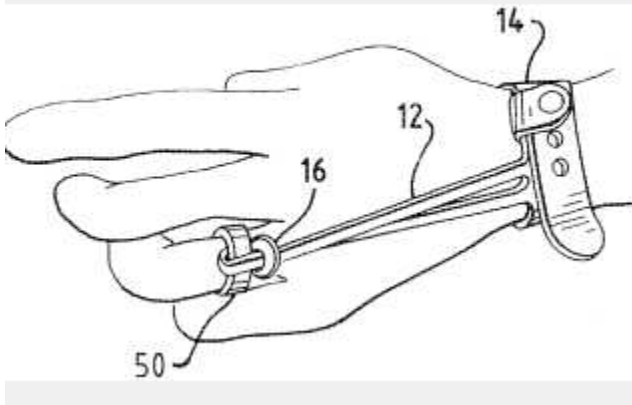
A44C 19/00

Devices for preventing pilfering of watches or jewellery

Definition statement

This place covers:

7. [US6513685](#) - Ring securing device



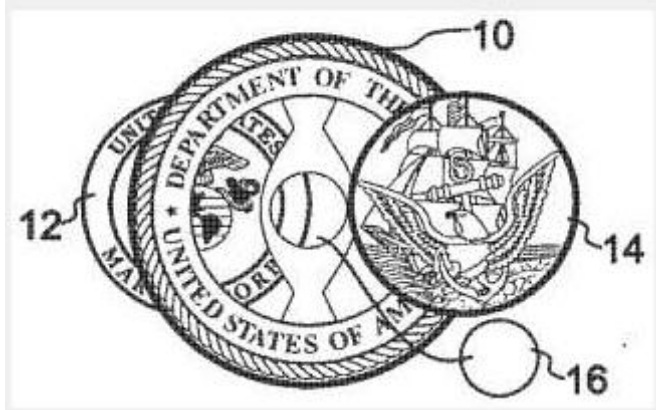
A44C 21/00

Coins (coins specially adapted to operate coin-free mechanisms [G07F 1/06](#));
Emergency money; Beer or gambling coins or tokens, or the like

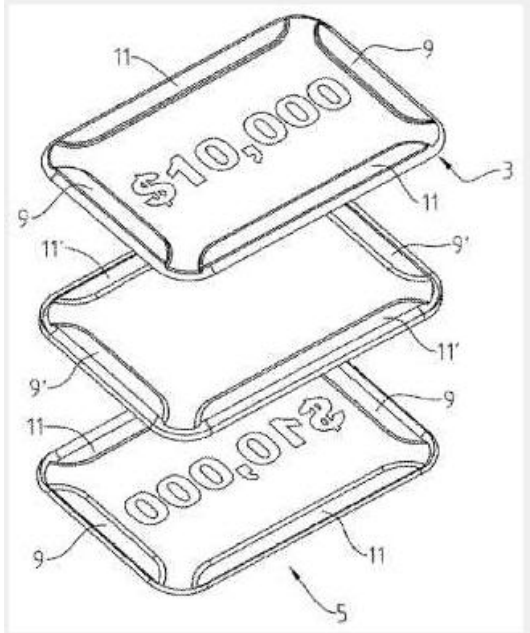
Definition statement

This place covers:

16. [US2010192430](#) - (A1 B2) Infinitely Variable Commemorative Coin



□ 14. [US2010207326](#) - METHOD OF PRODUCING A GAMING CHIP, AND A GAMING CHIP COMPRISING TWO PLAQUES



References

Limiting references

This place does not cover:

| | |
|---|----------------------------|
| Purses | A45C 1/02 |
| Games / playing pieces | A63F3/02P |
| Lottery-ticket scraper | A63F 3/068 |
| Record carriers, integration of circuit chips, RFID | G06K10/077T |
| Holders for coins | G07D 9/002 |
| Forming tokens inside vending machine | G07F 11/70 |
| Circulation of gaming tokens | G07F17/32D2 |

A44C 23/00

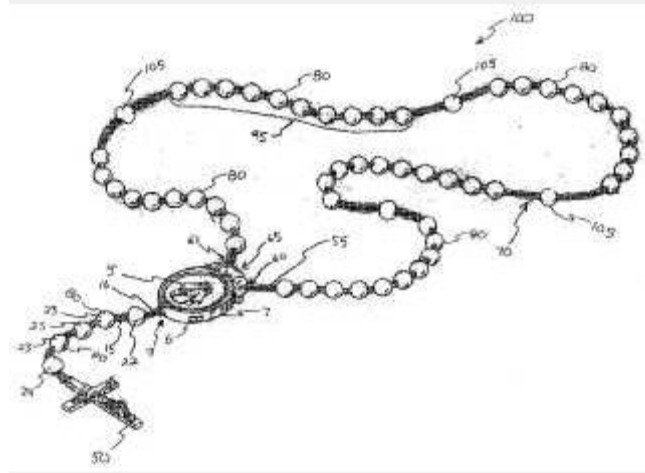
Rosaries

Definition statement

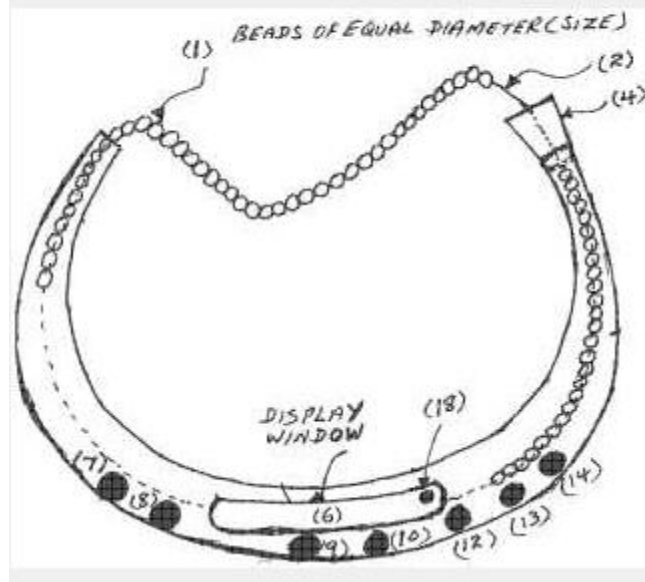
This place covers:

All religious jewelry and beads, both electronic and mechanical to aid in the saying of prayer or meditation.

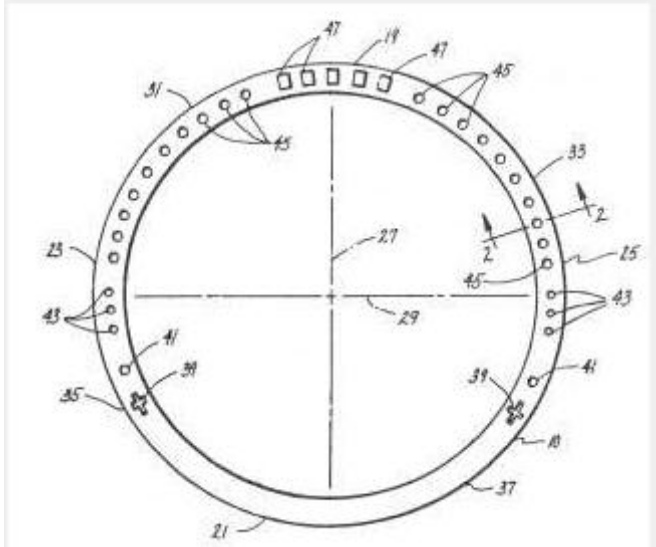
□ 17. [US2008070211](#) - Illuminated rosary with audio assistance



□ 36. [US2003086521](#) - Rosary electronic apparatus to count Muslim or non-Muslim prayers/recitations



□ 59. [US5085098](#) - Steering wheel cover having a prayer counter mechanism thereon



References

Limiting references

This place does not cover:

| | |
|----------------------------------|----------------------------|
| Religious or ritual equipment | A47G 33/00 |
| Abacus | G06C 1/00 |
| Teaching appliances for counting | G09B 19/02 |

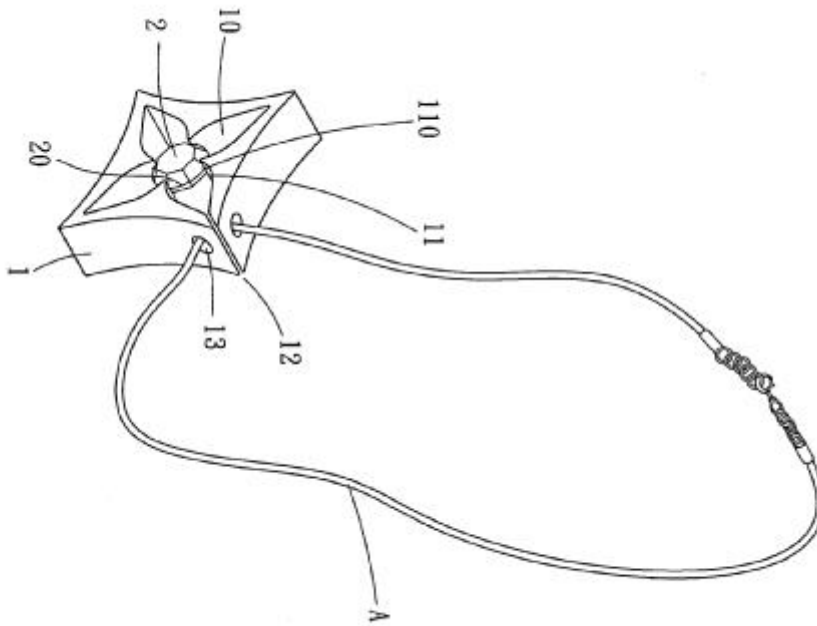
A44C 25/001

{Pendants}

Definition statement

This place covers:

Illustrative example of subject matter classified in this group.



Special rules of classification

For suspension loops or rings for pendants class in [A44C 3/008](#).

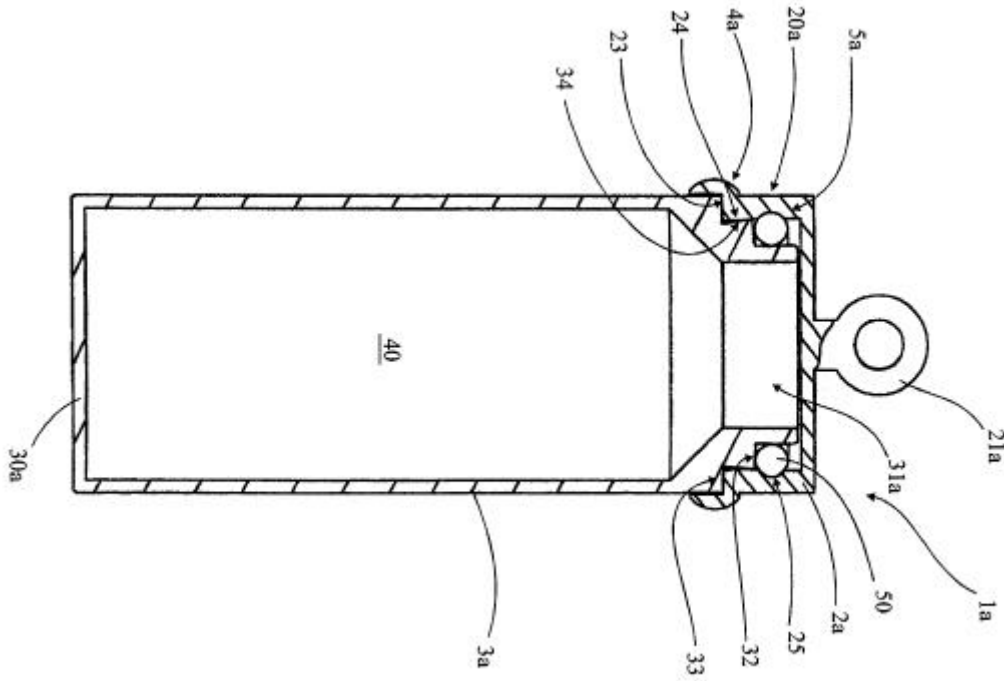
A44C 25/002

{forming a container, e.g. for pictures}

Definition statement

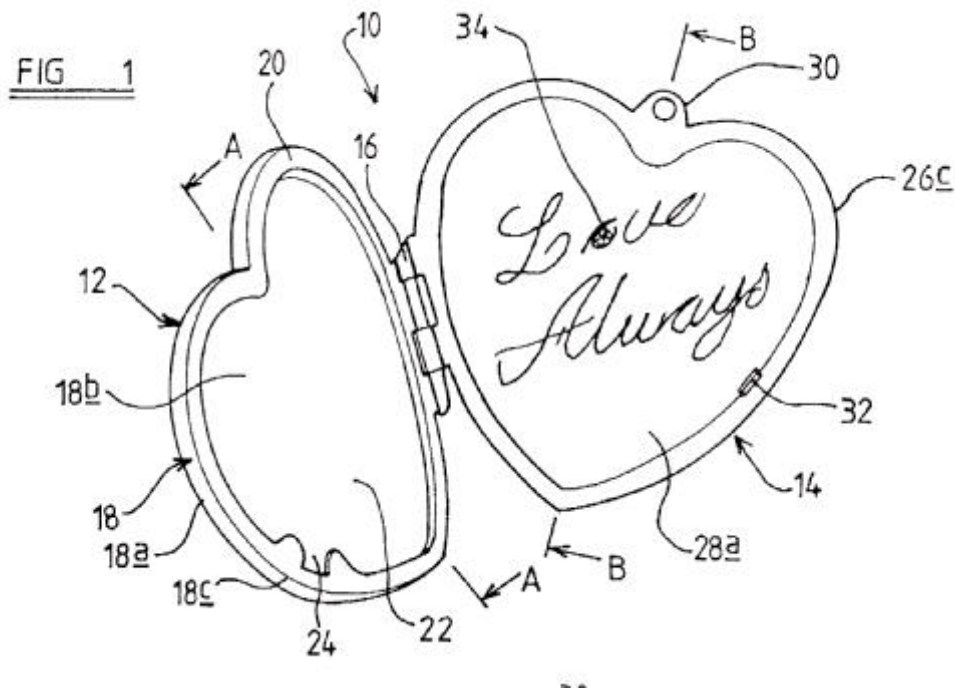
This place covers:

Illustrative example of subject matter classified in this group.



A44C 25/004**{with articulated faces}****Definition statement***This place covers:*

Illustrative example of subject matter classified in this group.

**A44C 25/007****{Charms or amulets}****References****Limiting references***This place does not cover:*

| | |
|---|-----------------------------|
| Decoration of strap for carrying mobile phone | A45F 5/00 |
| Decoration of covers of mobile phones | H04M 1/0283 |

Special rules of classification

Comprises also jewelry pending from mobile phones that is not used for carrying them, only for decoration purposes.

A44C 27/00**Making jewellery or other personal adornments****References****Informative references**

Attention is drawn to the following places, which may be of interest for search:

| | |
|---|------------------------------|
| Processing sheet metals for making jewelry products | B21D 53/44 |
| Bead chains manufacturing | B21F 37/00 |
| Making chain links | B21L 3/00 |
| Making ornamental chains | B21L 11/005 |
| Casting/moulding jewellery articles | B22D 25/026 |
| Metal welding | B23K 23/00 |
| Gold soldering chemical compositions | B23K 35/3013 |
| Fitting metal parts together | B23P 19/00 |
| Producing ornamental structures by stamping or bending with cutting | B44C 3/082 |
| Processes for producing special ornamental bodies | B44C 5/00 |
| Beadings, ribbons, tapes made of textile or analogous material | D04D 9/00 |
| Chains (in general) | F16G 13/00 |

Special rules of classification

For wire wound around jewel, class in [A44C 27/006](#)

A44C 27/001**{Materials for manufacturing jewellery}****References****Limiting references**

This place does not cover:

| | |
|------------------------------------|-----------------------------|
| Recycling | B09B 3/00 |
| Bio-degradable packaging materials | B65D 65/466 |

A44C 27/003**{Metallic alloys (alloys in general [C22C](#))}****References****Limiting references**

This place does not cover:

| | |
|--|---|
| Noble metals alloys (gold, platinum, silver) | C22C 5/00 - C22C 5/10 |
|--|---|

A44C 27/005**{Coating layers for jewellery}****References****Limiting references***This place does not cover:*

| | |
|---|----------------------------|
| Producing ornamental structures by stamping or bending with cutting | B44C 3/082 |
|---|----------------------------|

A44C 27/006**{Metallic coatings}****References****Limiting references***This place does not cover:*

| | |
|--|-----------------------------|
| Coating metal wires | B21C 37/042 |
| Wire-working in the manufacture of particular articles | B21F 45/00 |
| Metallic coating on metal | C23C 14/16 |

Special rules of classification

Comprises wire wound around jewel.