

A45D

HAIRDRESSING OR SHAVING EQUIPMENT (wigs, toupees or the like [A41G 3/00](#), [A41G 5/00](#); hairdressers' chairs [A47C 1/04](#); hair cutting appliances, razors [B26B](#)); EQUIPMENT FOR COSMETICS OR COSMETIC TREATMENTS, e.g. FOR MANICURING OR PEDICURING

Definition statement

This place covers:

- Processes of waving, straightening or curling hair;
- Hair-curling or hair-waving appliances, e.g. curling-tongs;
- Devices for heating or accessories for hair curling appliances;
- Hair holding devices;
- Devices for washing or colouring the hair or scalp;
- Hair drying devices or accessories therefor;
- Devices for removing superfluous hair, e.g. tweezers;
- Hair combs or accessories therefor;
- Shaving accessories;
- Manicuring or pedicuring implements;
- Artificial nails;
- Containers, casings or accessories for handling toiletry or cosmetic substances;
- Sachet pads for liquid substances;
- Hand, pocket, or shaving mirrors;
- Hairdressers' equipment, e.g. protecting mantles, stands for performing hairdressing work, specially adapted furniture;
- Other toiletry or cosmetic equipment.

References

Limiting references

This place does not cover:

Wigs, toupees or the like	A41G 3/00 , A41G 5/00
Hairdressers' chairs	A47C 1/04
Hair cutting appliances, razors	B26B

Informative references

Attention is drawn to the following places, which may be of interest for search:

Sanitary equipment; Toiletry accessories	A47K
Cosmetic or similar toiletry preparations	A61K
For applying therapeutic or disinfecting substances	A61M , A61M 35/00
Use of cosmetic or similar toiletry preparations	A61Q
Spraying or atomising apparatus; Nozzles	B05B
Applying liquids to surfaces in general	B05C
Containers in general	B65D

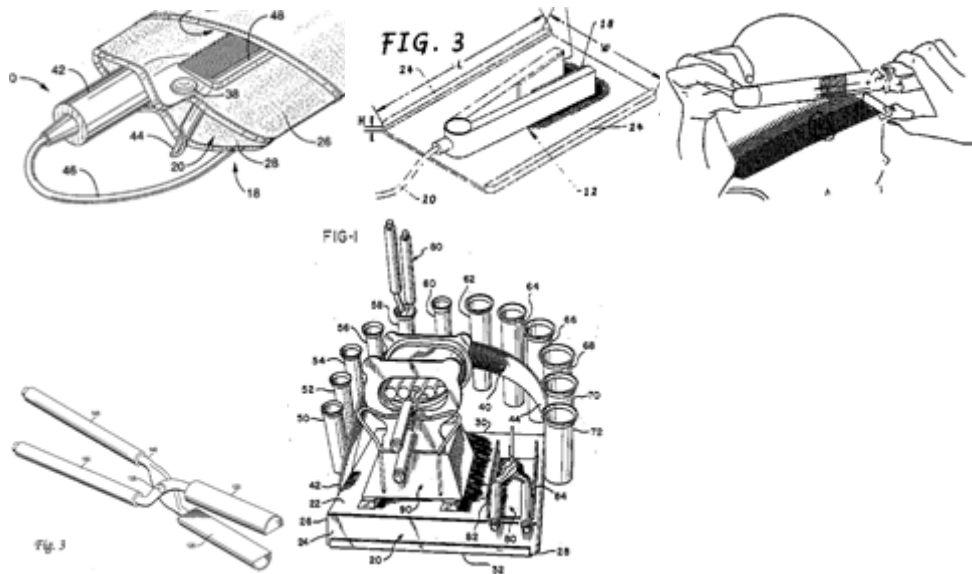
A45D 1/00

Curling-tongs, i.e. tongs for use when hot; Curling-irons, i.e. irons for use when hot; Accessories therefor

Definition statement

This place covers:

Illustrative examples of subject matter classified in this group.



References

Informative references

Attention is drawn to the following places, which may be of interest for search:

Hair straightening appliances	A45D 2/001
Details of, or accessories for, hair-curling or hair-waving devices	A45D 6/00
Processes of waving, straightening or curling hair	A45D 7/00
Hand-held drying devices	A45D 20/10

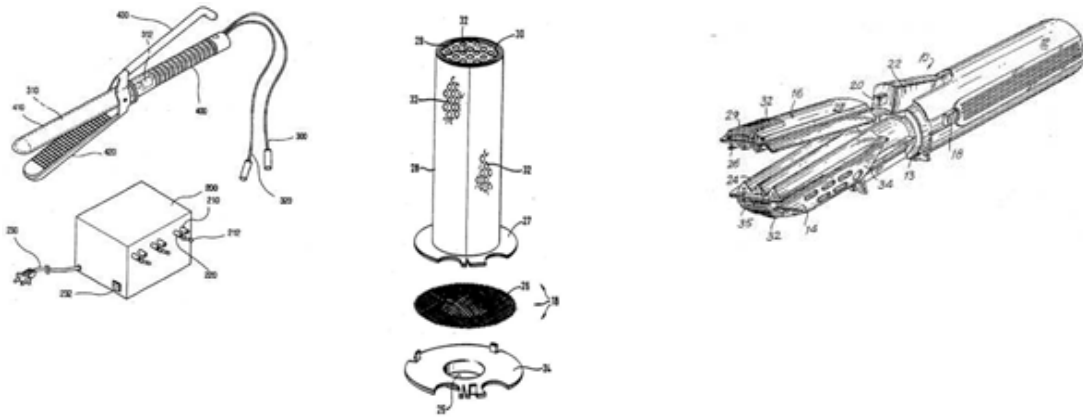
A45D 1/02

with means for internal heating, e.g. by liquid fuel

Definition statement

This place covers:

Illustrative examples of subject matter classified in this group.



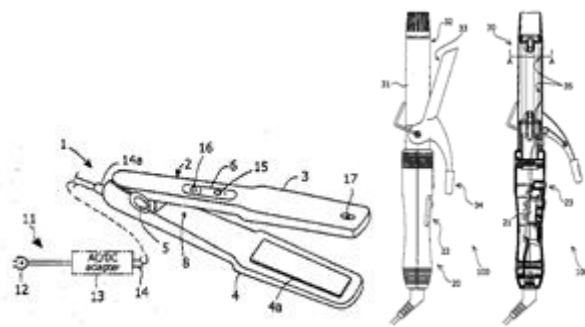
A45D 1/04

by electricity

Definition statement

This place covers:

Illustrative examples of subject matter classified in this group.



References

Limiting references

This place does not cover:

Electric heating elements per se	H05B
----------------------------------	----------------------

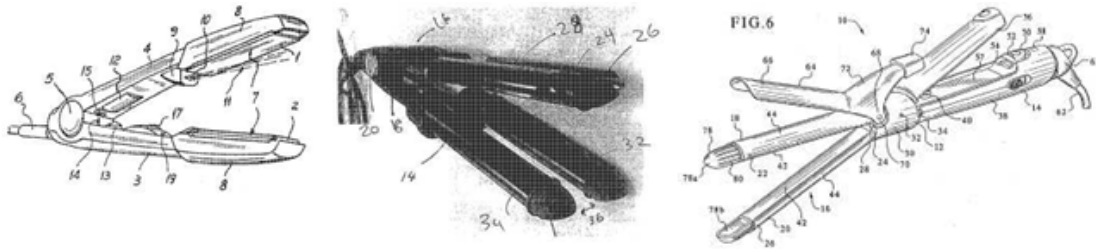
A45D 1/06

with two or more jaws ([A45D 1/02](#) takes precedence)

Definition statement

This place covers:

Illustrative examples of subject matter classified in this group.



References

Limiting references

This place does not cover:

With means for internal heating	A45D 1/02
---------------------------------	---------------------------

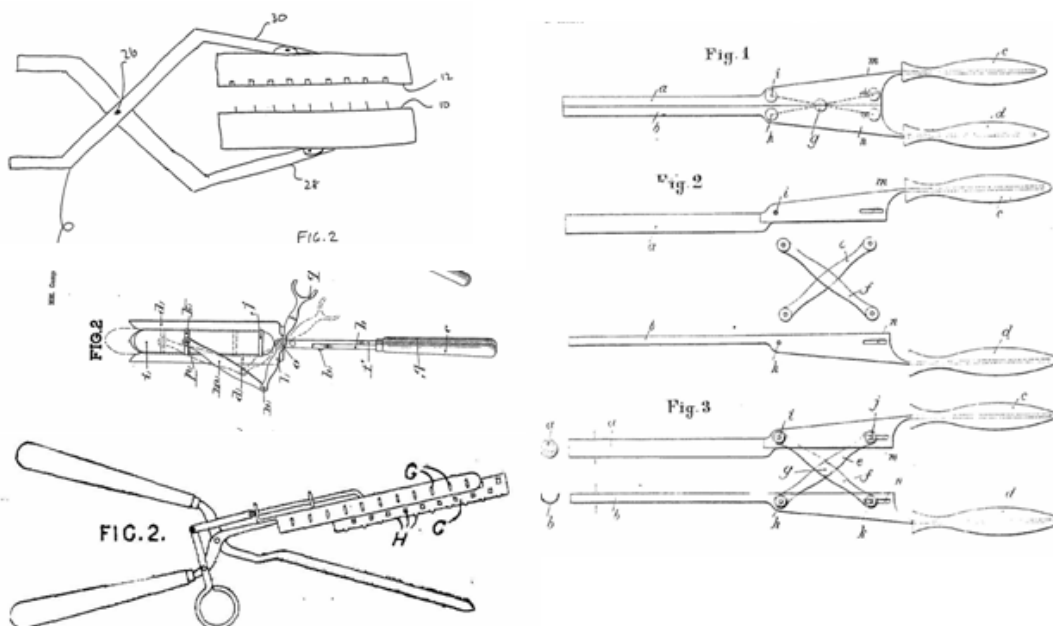
A45D 1/08

the jaws remaining parallel to each other during use, e.g. the jaws sliding parallel to each other

Definition statement

This place covers:

Illustrative examples of subject matter classified in this group.



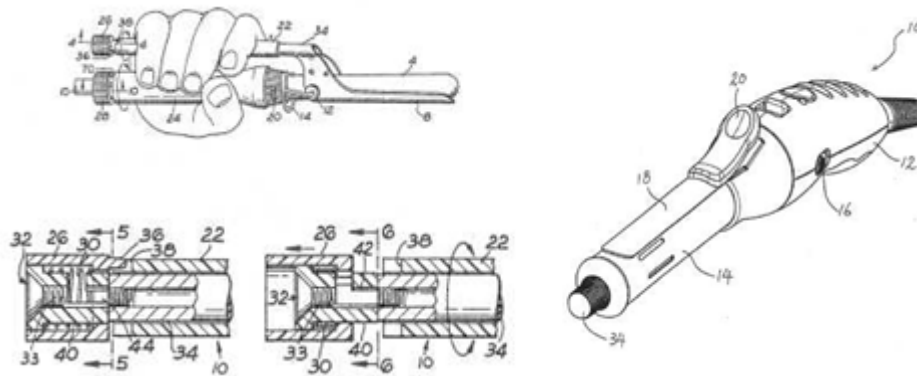
A45D 1/10

with a rotatable handle sleeve

Definition statement

This place covers:

Illustrative examples of subject matter classified in this group.



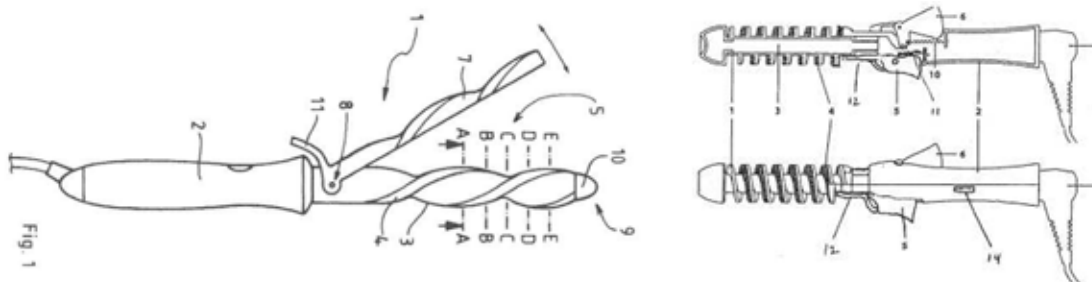
A45D 1/12

of helical or zig-zag shape

Definition statement

This place covers:

Illustrative examples of subject matter classified in this group.



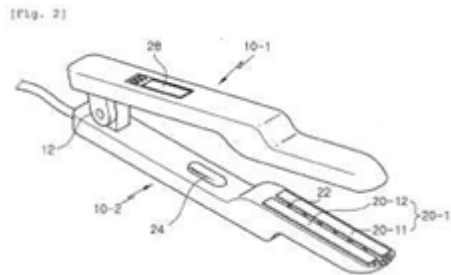
A45D 1/14

the jaws being separable from each other

Definition statement

This place covers:

Illustrative example of subject matter classified in this group.

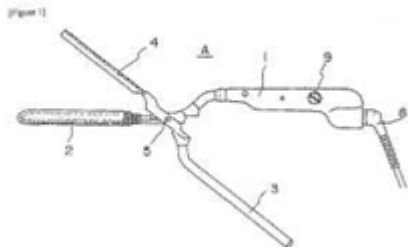
**A45D 1/16**

with a single heated member ([A45D 1/02](#) takes precedence)

Definition statement

This place covers:

Illustrative example of subject matter classified in this group.

**References****Limiting references**

This place does not cover:

With means for internal heating	A45D 1/02
---------------------------------	---------------------------

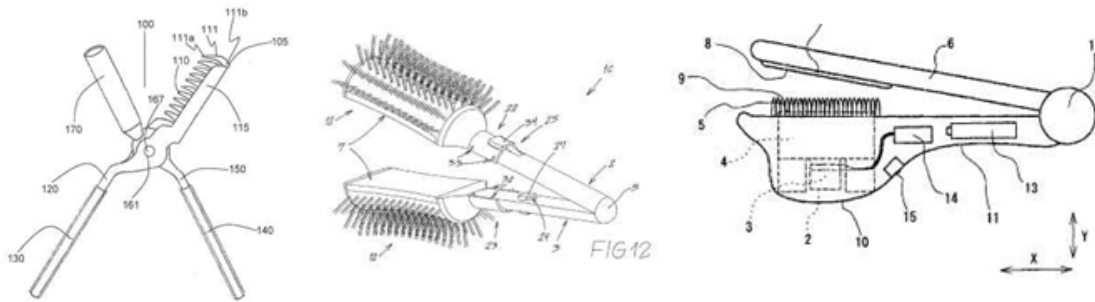
A45D 1/18

with combs ([A45D 1/02](#) takes precedence)

Definition statement

This place covers:

Illustrative example of subject matter classified in this group.



References

Limiting references

This place does not cover:

With means for internal heating	A45D 1/02
---------------------------------	---------------------------

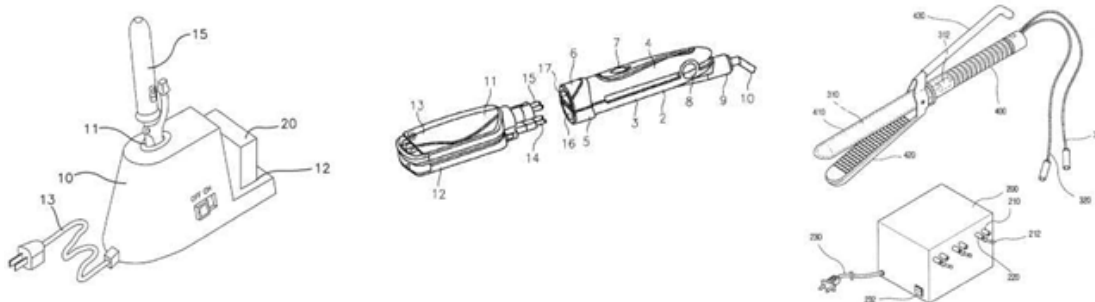
A45D 1/20

External heating means for curling-tongs or curling-irons

Definition statement

This place covers:

Illustrative examples of subject matter classified in this group.



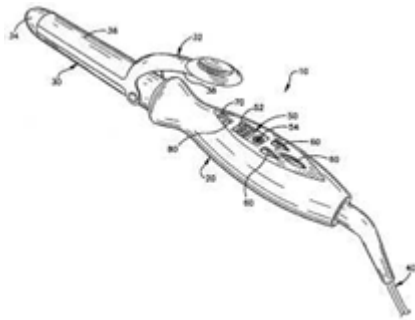
A45D 1/28

with means for controlling or indicating the temperature

Definition statement

This place covers:

Illustrative example of subject matter classified in this group.

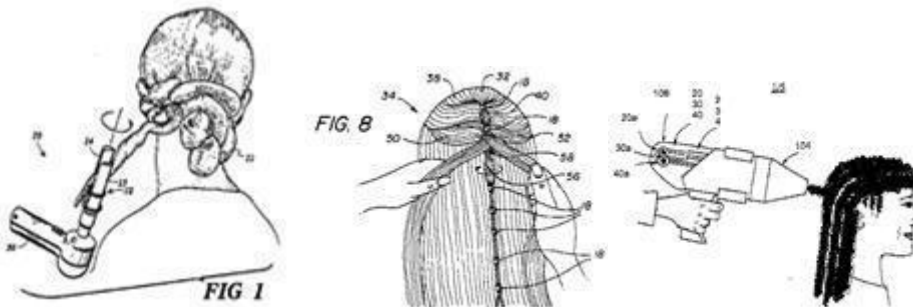
**A45D 2/00**

Hair-curling or hair-waving appliances (heated curling-tongs, curling-irons [A45D 1/00](#)); Appliances for hair dressing treatment not otherwise provided for}

Definition statement

This place covers:

Appliances for hairdressing treatment not otherwise provided for. Illustrative example:

**References****Limiting references**

This place does not cover:

Heated curling-tongs, curling-irons	A45D 1/00
-------------------------------------	---------------------------

Informative references

Attention is drawn to the following places, which may be of interest for search:

Details of, or accessories for, hair-curling or hair-waving devices	A45D 6/00
Tools or apparatus for braiding or lacing by hand	D04C 7/00

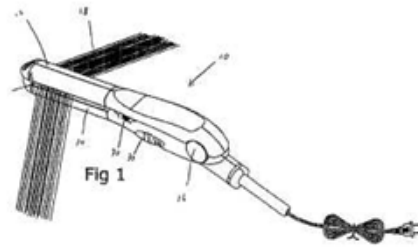
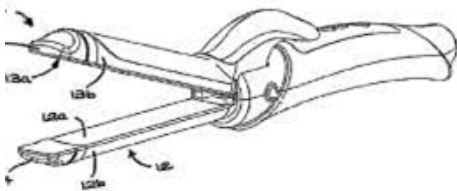
A45D 2/001

{Hair straightening appliances}

Definition statement

This place covers:

Illustrative examples of subject matter classified in this group.



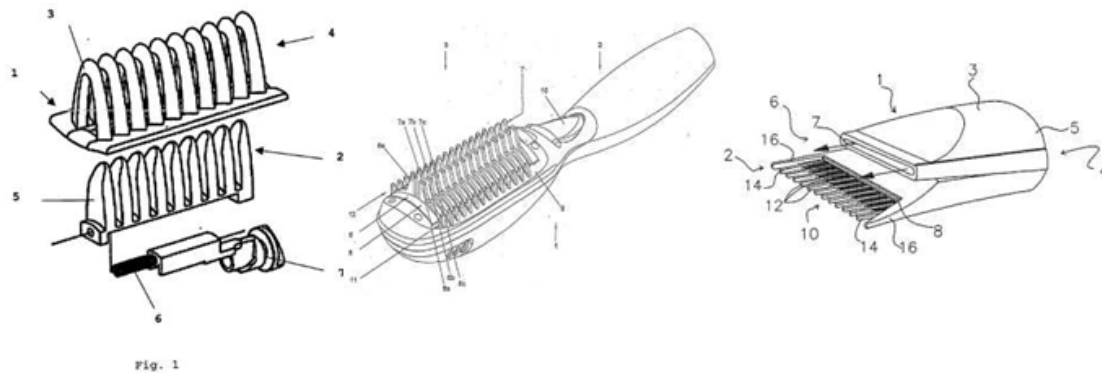
A45D 2/002

{with combs}

Definition statement

This place covers:

Illustrative examples of subject matter classified in this group.



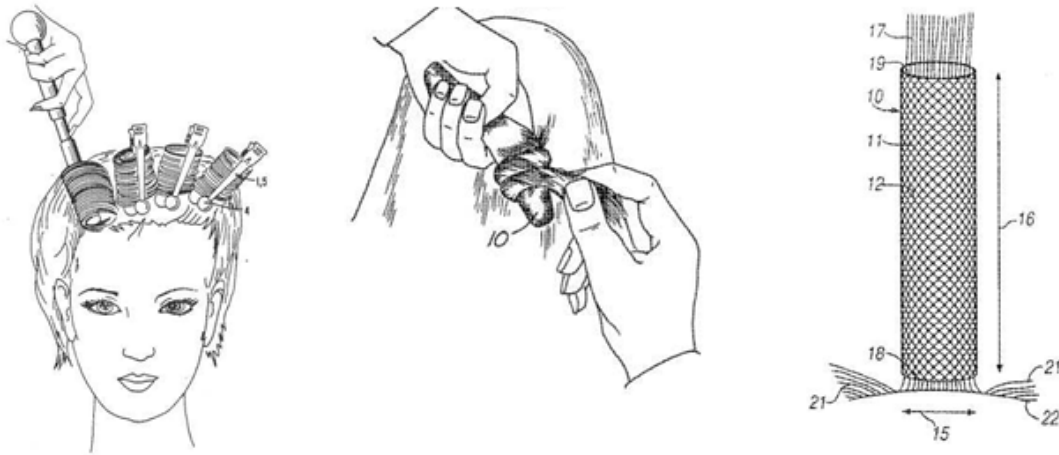
A45D 2/02

Hair winders or hair curlers for use substantially perpendicular to the scalp, i.e. steep-curlers ([A45D 6/14](#), [A45D 6/16](#) take precedence; with incorporated heating or drying means [A45D 2/36](#); heating devices designed for use external to and in connection with, hair curlers or hair wavers [A45D 4/02](#))

Definition statement

This place covers:

Illustrative examples of subject matter classified in this group.



References

Limiting references

This place does not cover:

With incorporated heating or drying means	A45D 2/36
Heating devices designed for use external to and in connection with, hair curlers or hair wavers	A45D 4/02
Clamps or pins for hair curlers	A45D 6/14 , A45D 6/16

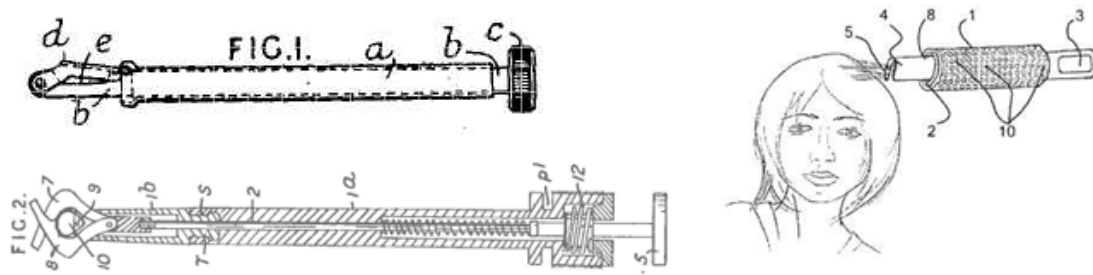
A45D 2/04

in the form of rods with jaw devices

Definition statement

This place covers:

Illustrative examples of subject matter classified in this group.



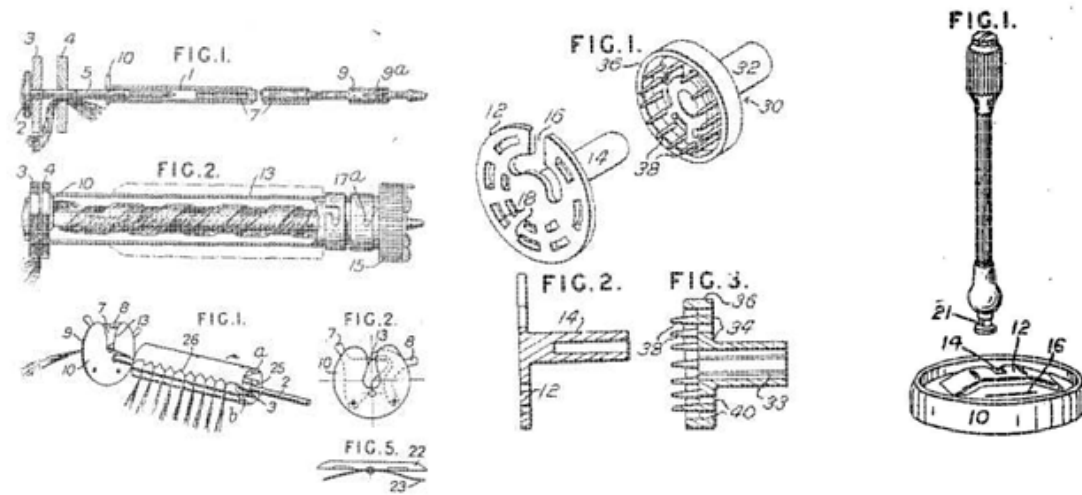
A45D 2/06

in the form of rods with base plate or base clamp

Definition statement

This place covers:

Illustrative examples of subject matter classified in this group.



References

Limiting references

This place does not cover:

Base clamps per se	A45D 6/08
--------------------	---------------------------

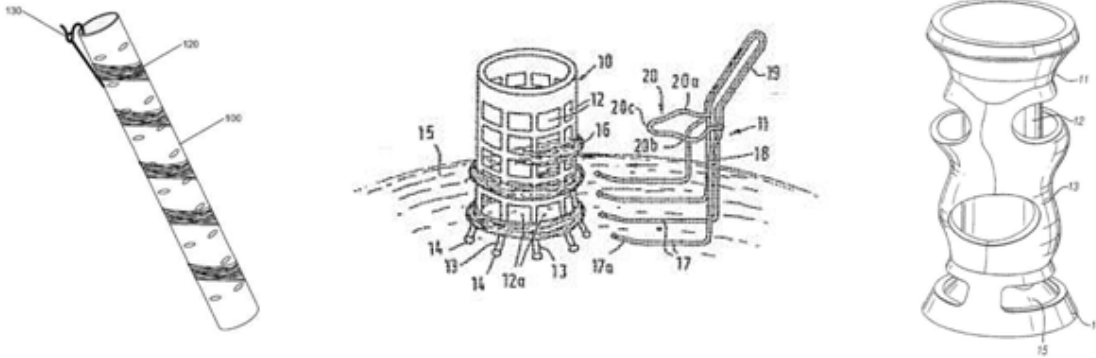
A45D 2/08

of hollow type ([A45D 2/10](#) takes precedence)

Definition statement

This place covers:

Illustrative examples of subject matter classified in this group.



References

Limiting references

This place does not cover:

In the form of spools or bobbins	A45D 2/10
----------------------------------	---------------------------

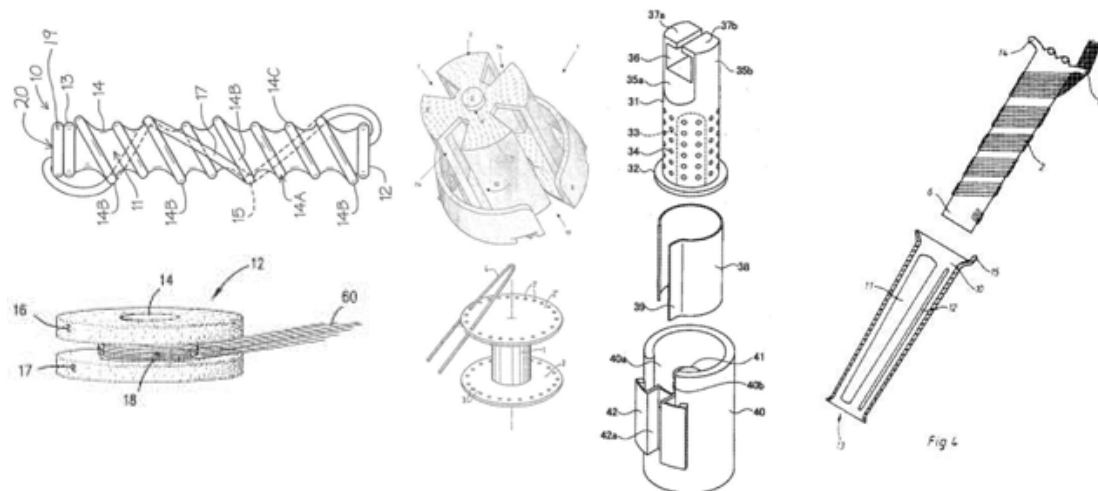
A45D 2/10

in the form of spools or bobbins

Definition statement

This place covers:

Illustrative examples of subject matter classified in this group.



A45D 2/12

Hair winders or hair curlers for use parallel to the scalp, i.e. flat-curlers ([A45D 6/14](#), [A45D 6/16](#) take precedence; with internal electric heating means [A45D 2/36](#); heating devices designed for use external to, and in connection with, hair curlers or hair winders [A45D 4/08](#))

References

Limiting references

This place does not cover:

With internal electric heating means	A45D 2/36
Heating devices designed for use external to, and in connection with, hair curlers or hair winders	A45D 4/08
Clamps or pins for hair curlers	A45D 6/14 , A45D 6/16

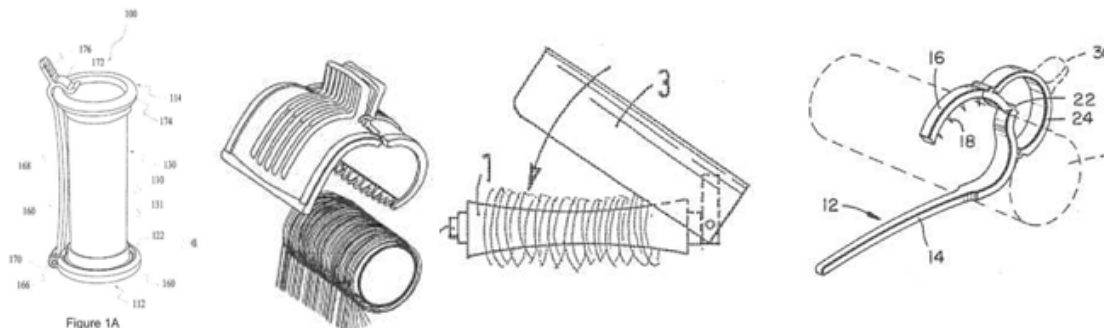
A45D 2/122

{Means for fastening the hair on the curler body}

Definition statement

This place covers:

Illustrative examples of subject matter classified in this group.



A45D 2/125

{Flexible fastening means}

Definition statement

This place covers:

Illustrative examples of subject matter classified in this group.



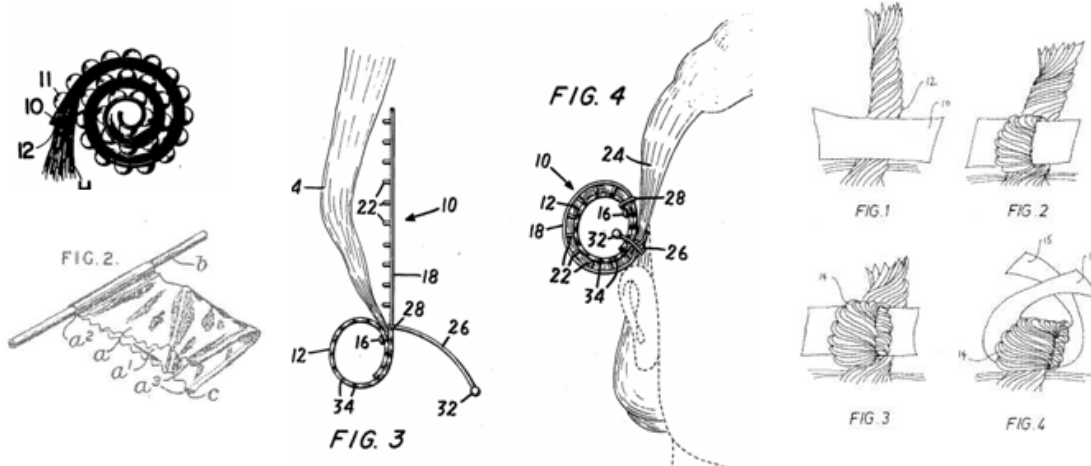
A45D 2/127

{with a wrapping strip, e.g. flexible}

Definition statement

This place covers:

Illustrative examples of subject matter classified in this group.



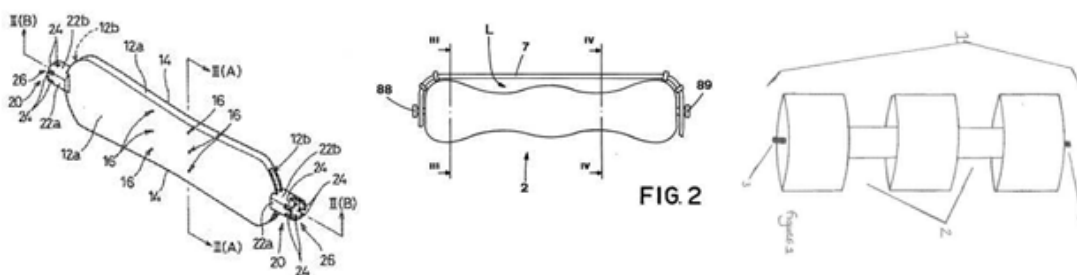
A45D 2/14

of single-piece type, e.g. stiff rods or tubes with or without cord, band, or the like as hair-fastening means

Definition statement

This place covers:

Illustrative example of subject matter classified in this group.



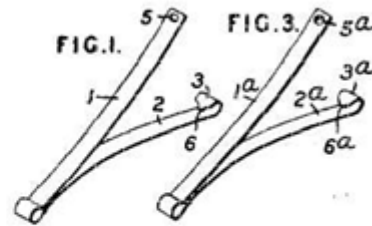
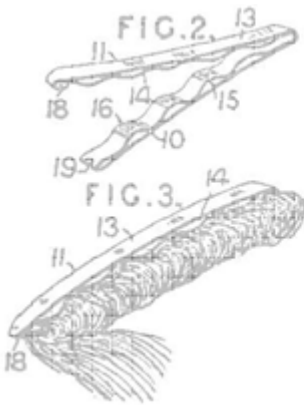
A45D 2/141

{comprising flat clasps}

Definition statement

This place covers:

Illustrative examples of subject matter classified in this group.



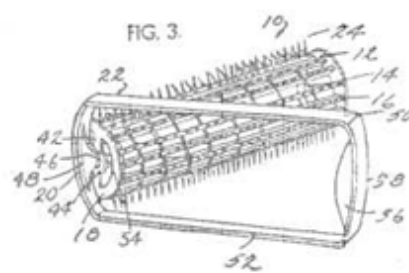
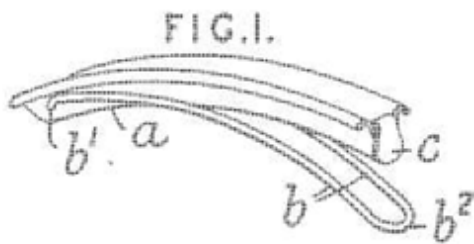
A45D 2/143

{with a clamping bow as fastening means}

Definition statement

This place covers:

Illustrative examples of subject matter classified in this group.



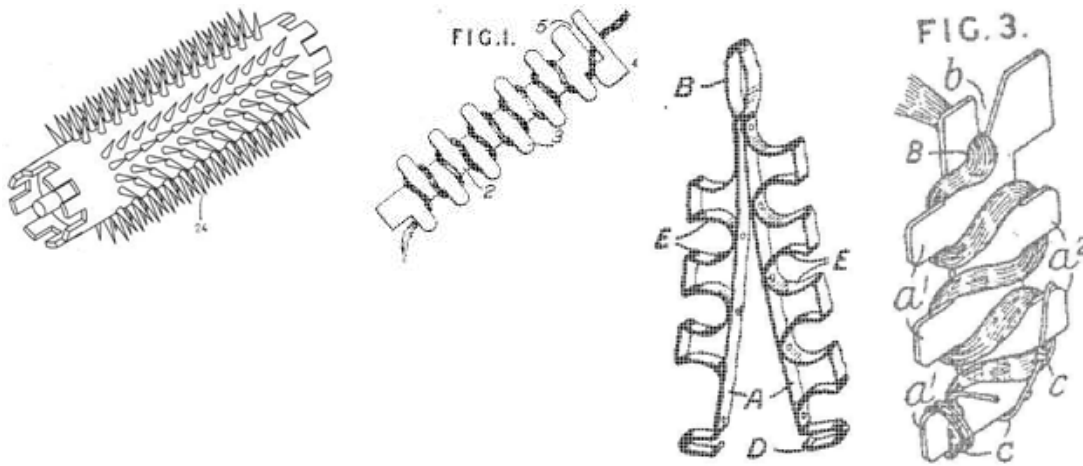
A45D 2/145

{with radial projections}

Definition statement

This place covers:

Illustrative examples of subject matter classified in this group.



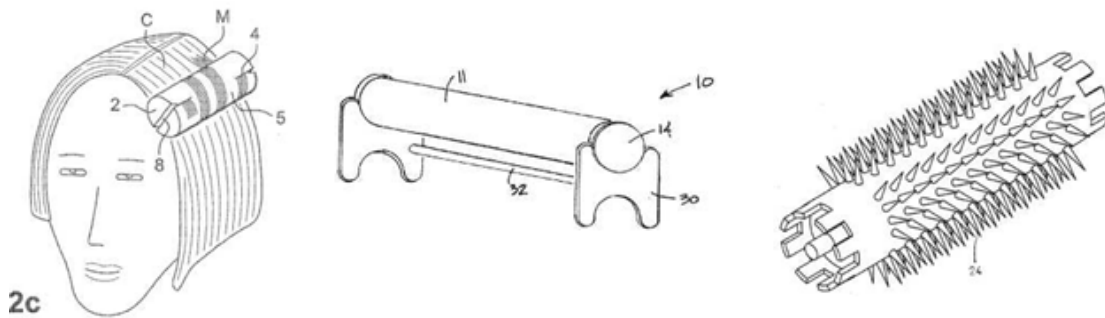
A45D 2/146

{tube-like}

Definition statement

This place covers:

Illustrative examples of subject matter classified in this group.



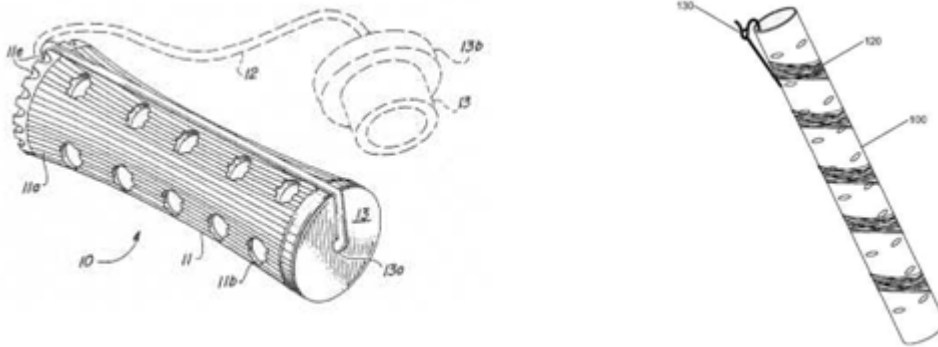
A45D 2/148

{comprising perforations}

Definition statement

This place covers:

Illustrative examples of subject matter classified in this group.



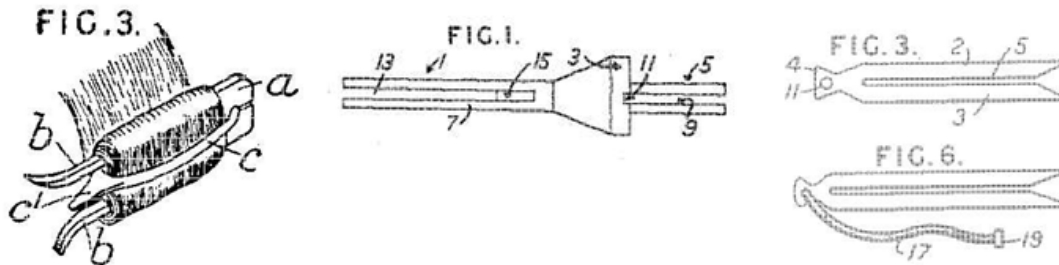
A45D 2/16

in the form of forked rods or tubes

Definition statement

This place covers:

Illustrative examples of subject matter classified in this group.



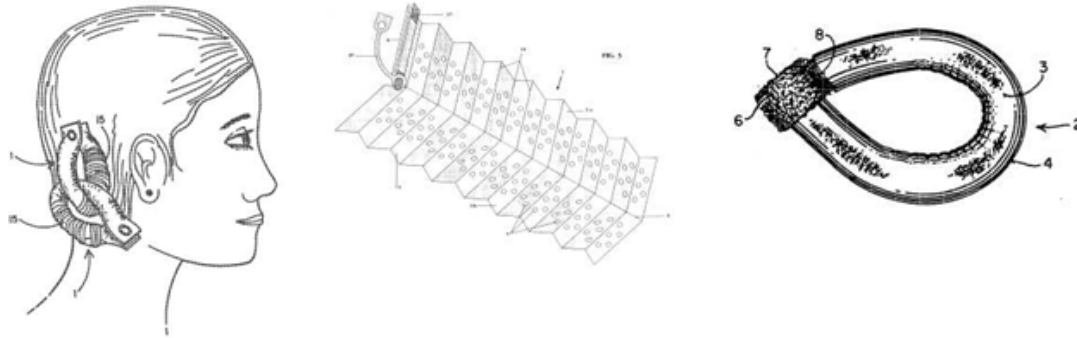
A45D 2/18

Flexible curlers ([A45D 2/20](#) takes precedence)

Definition statement

This place covers:

Illustrative examples of subject matter classified in this group.



References

Limiting references

This place does not cover:

Elastic curlers	A45D 2/20
-----------------	---------------------------

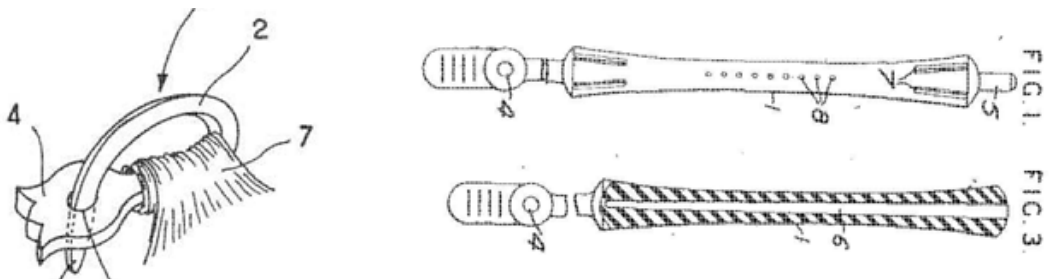
A45D 2/20

Elastic curlers

Definition statement

This place covers:

Illustrative examples of subject matter classified in this group.



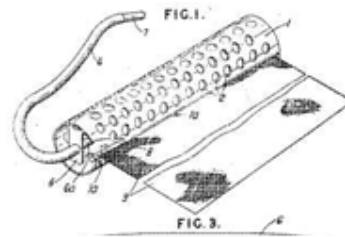
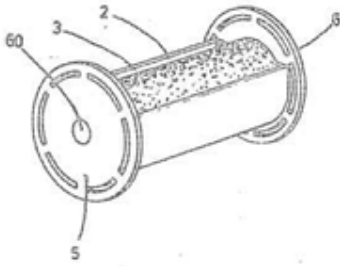
A45D 2/22

with means for applying liquids therethrough

Definition statement

This place covers:

Illustrative examples of subject matter classified in this group.



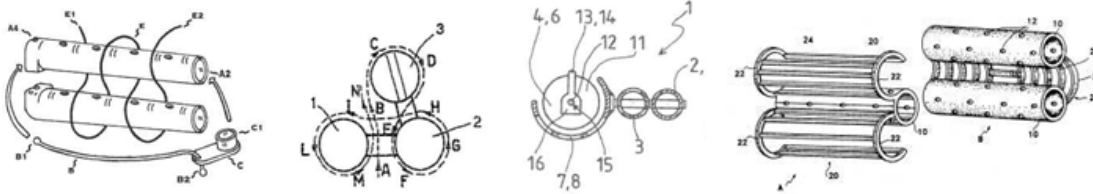
A45D 2/24

of multi-part type, e.g. with sliding parts other than for fastening

Definition statement

This place covers:

Illustrative examples of subject matter classified in this group.



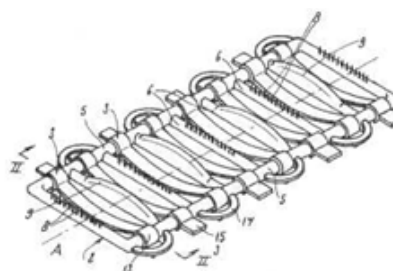
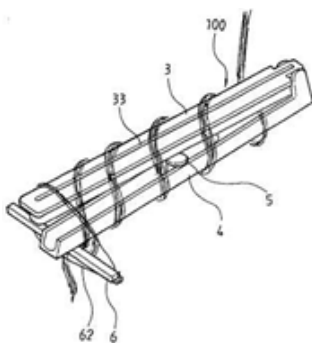
A45D 2/2407

{with articulated parts ([A45D 2/28](#) takes precedence)}

Definition statement

This place covers:

Illustrative examples of subject matter classified in this group.



References

Limiting references

This place does not cover:

With clamping bow	A45D 2/28
-------------------	---------------------------

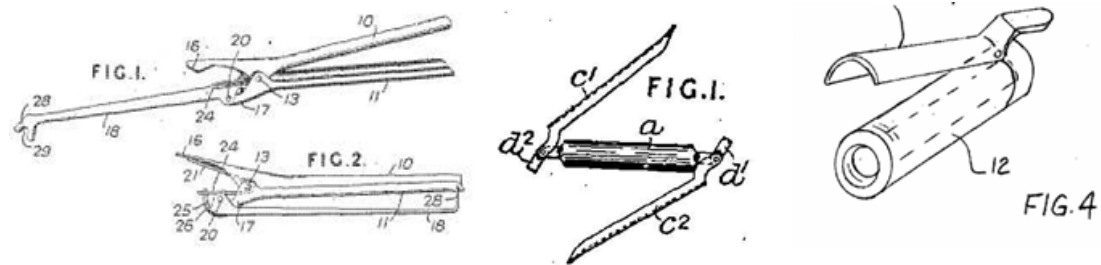
A45D 2/2414

{comprising a flat clasp}

Definition statement

This place covers:

Illustrative examples of subject matter classified in this group.



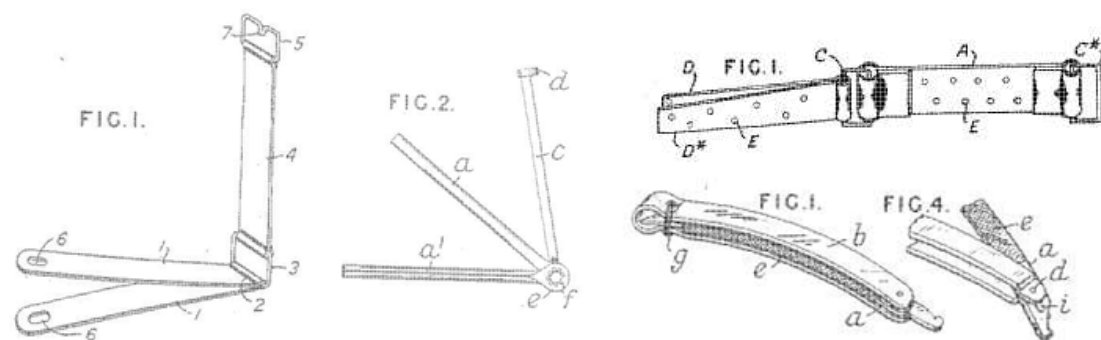
A45D 2/2421

{comprising flat clasps ([A45D 2/2414](#) takes precedence)}

Definition statement

This place covers:

Illustrative examples of subject matter classified in this group.



References

Limiting references

This place does not cover:

With articulated parts comprising a flat clasp	A45D 2/2414
--	-----------------------------

A45D 2/2428

{with clamping bow as fastening means}

Definition statement

This place covers:

Illustrative examples of subject matter classified in this group.



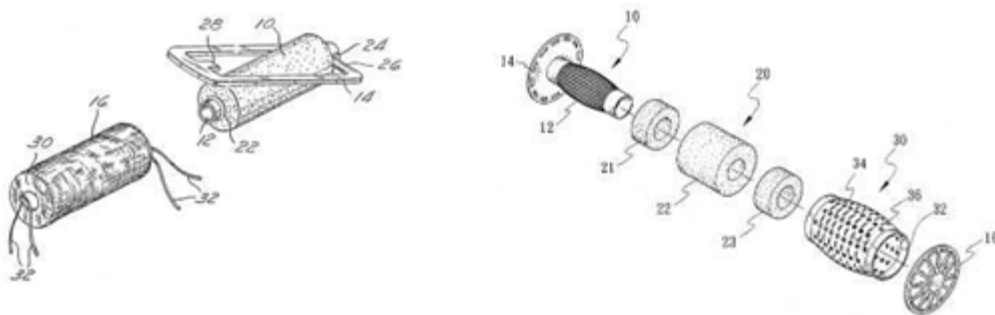
A45D 2/2435

{comprising foam-like material}

Definition statement

This place covers:

Illustrative examples of subject matter classified in this group.



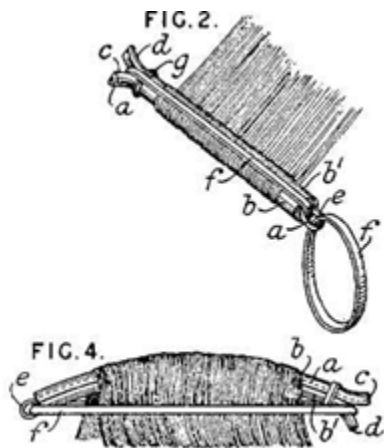
A45D 2/2442

{flexible}

Definition statement

This place covers:

Illustrative example of subject matter classified in this group.



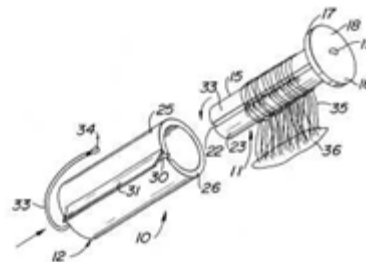
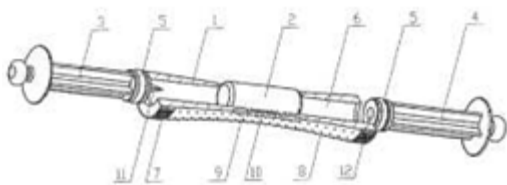
A45D 2/245

{with means for applying liquid therethrough}

Definition statement

This place covers:

Illustrative examples of subject matter classified in this group.



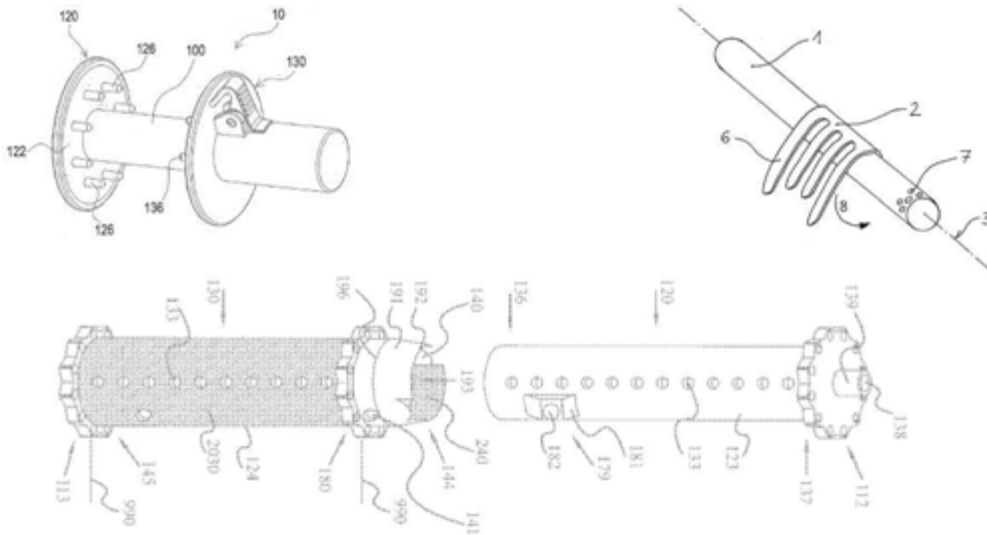
A45D 2/2457

{with sliding parts}

Definition statement

This place covers:

Illustrative examples of subject matter classified in this group.



A45D 2/2464

{tube-like}

Definition statement

This place covers:

Illustrative examples of subject matter classified in this group.

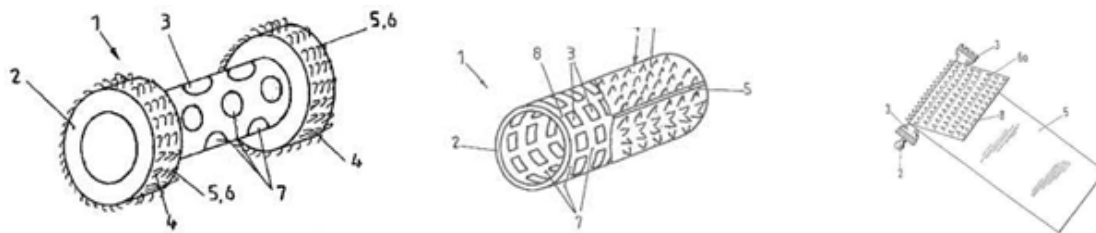


A45D 2/2471**{comprising bristles}****Definition statement***This place covers:*

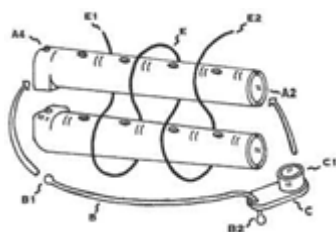
Illustrative examples of subject matter classified in this group.

**A45D 2/2478****{comprising hooks, e.g. hook and loop-type fastener}****Definition statement***This place covers:*

Illustrative examples of subject matter classified in this group.

**A45D 2/2485****{comprising perforations}****Definition statement***This place covers:*

Illustrative example of subject matter classified in this group.



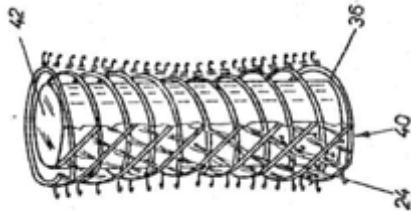
A45D 2/2492

{comprising a mesh}

Definition statement

This place covers:

Illustrative example of subject matter classified in this group.



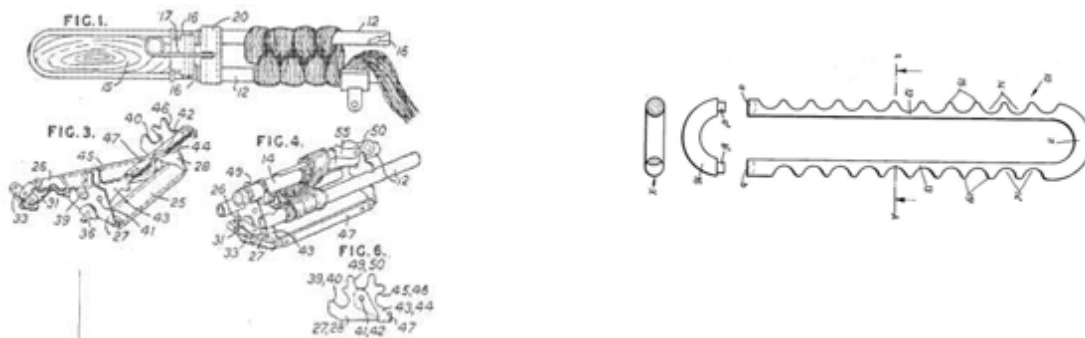
A45D 2/26

forked

Definition statement

This place covers:

Illustrative examples of subject matter classified in this group.



A45D 2/28

with clamping bow as fastening means {([A45D 2/2428](#) takes precedence)}

Definition statement

This place covers:

Illustrative examples of subject matter classified in this group.

**References****Limiting references**

This place does not cover:

Comprising flat clasps with clamping bow	A45D 2/2428
--	-----------------------------

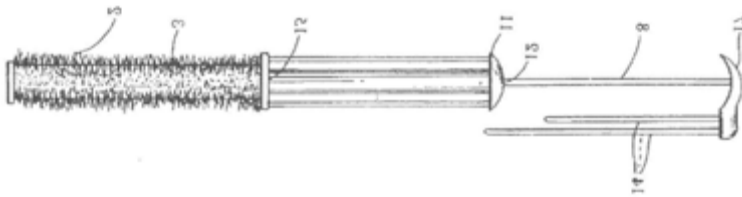
A45D 2/30

with slide as fastening means

Definition statement

This place covers:

Illustrative example of subject matter classified in this group.



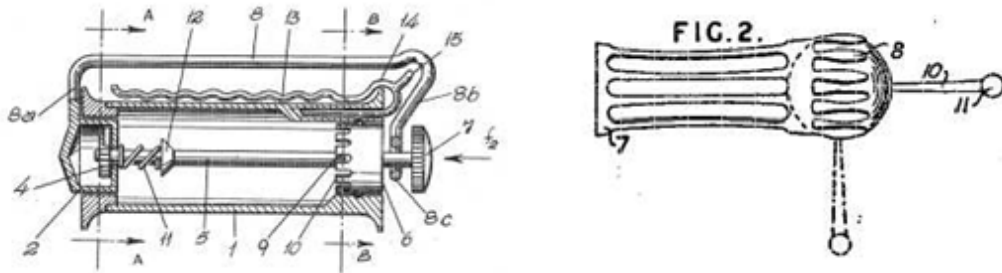
A45D 2/32

with positive non-return means, e.g. ratchet

Definition statement

This place covers:

Illustrative examples of subject matter classified in this group.



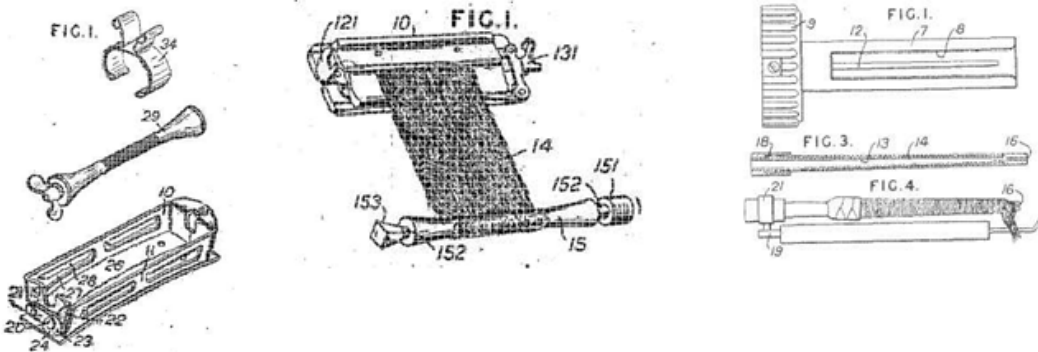
A45D 2/34

with base clamp

Definition statement

This place covers:

Illustrative examples of subject matter classified in this group.



References

Limiting references

This place does not cover:

Base clamps per se	A45D 6/10
--------------------	---------------------------

A45D 2/36

Hair curlers or hair winders with incorporated heating or drying means, e.g. electric, using chemical reaction

References**Limiting references**

This place does not cover:

Electric heating elements per se	H05B
----------------------------------	----------------------

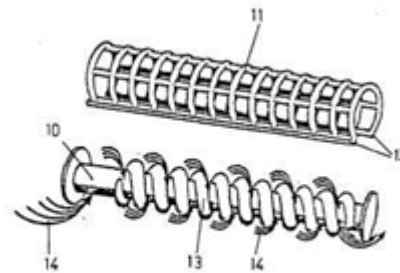
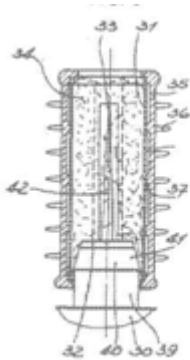
A45D 2/362

{with a heat accumulator, i.e. for heating before use}

Definition statement

This place covers:

Illustrative examples of subject matter classified in this group.

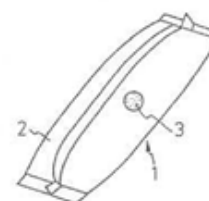
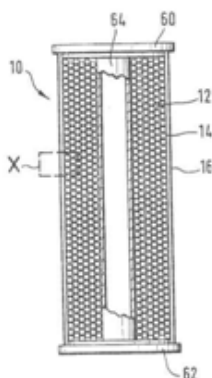
**A45D 2/365**

{with chemical heating means ([A45D 2/362](#) takes precedence)}

Definition statement

This place covers:

Illustrative examples of subject matter classified in this group.



References

Limiting references

This place does not cover:

With a heat accumulator	A45D 2/362
-------------------------	----------------------------

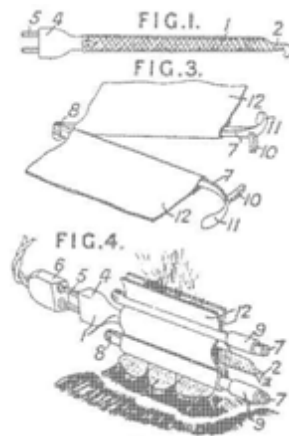
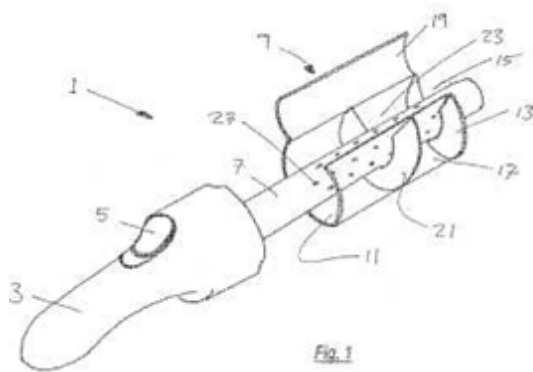
A45D 2/367

{with electrical heating means ([A45D 2/362](#) takes precedence)}

Definition statement

This place covers:

Illustrative examples of subject matter classified in this group.



References

Limiting references

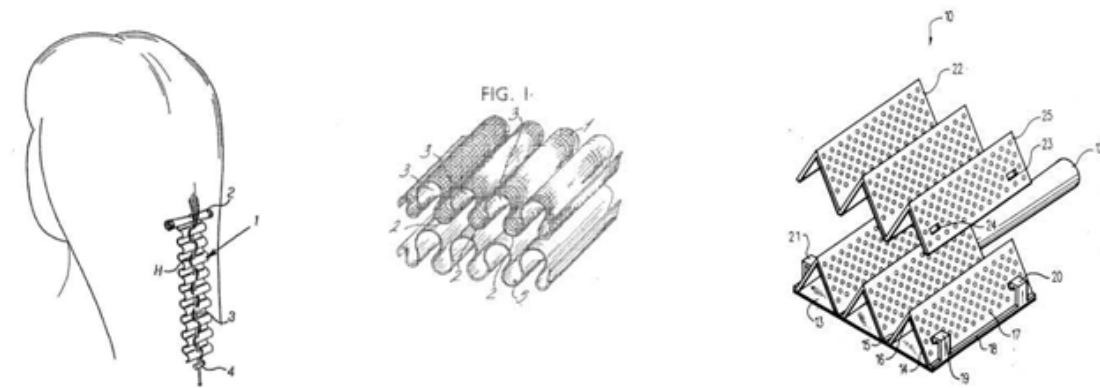
This place does not cover:

With a heat accumulator	A45D 2/362
-------------------------	----------------------------

A45D 2/38**Surface-wave devices****Definition statement**

This place covers:

Illustrative examples of subject matter classified in this group.

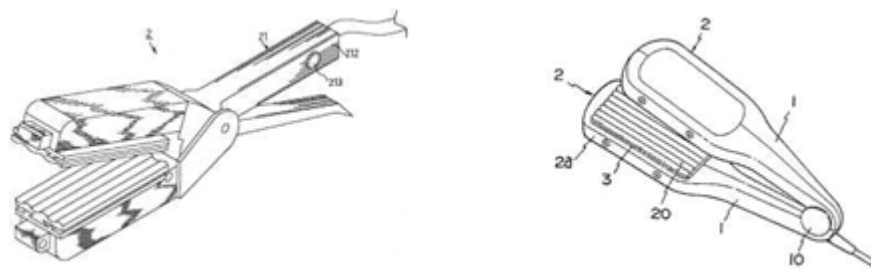
**A45D 2/40**

as hair-pressing tongs {(hair grips, clamps or clasps per se [A45D 8/14](#), [A45D 8/20](#), [A45D 8/24](#))}

Definition statement

This place covers:

Illustrative examples of subject matter classified in this group.

**References****Limiting references**

This place does not cover:

Hair grips, clamps or clasps per se	A45D 8/14 , A45D 8/20 , A45D 8/24
-------------------------------------	--

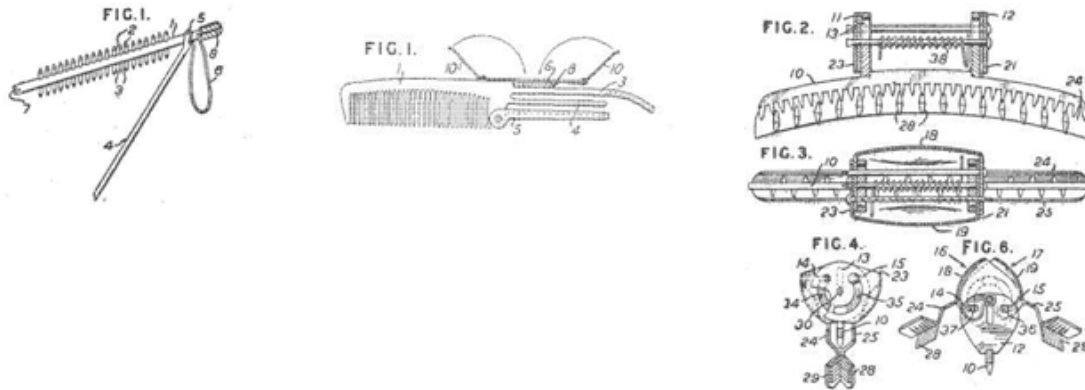
A45D 2/42

Clamps or clasps with teeth or combs {(hair clasps with comb-like prongs per se [A45D 8/30](#))}

Definition statement

This place covers:

Illustrative examples of subject matter classified in this group.



References

Limiting references

This place does not cover:

Hair clasps with comb-like prongs per se	A45D 8/30
--	---------------------------

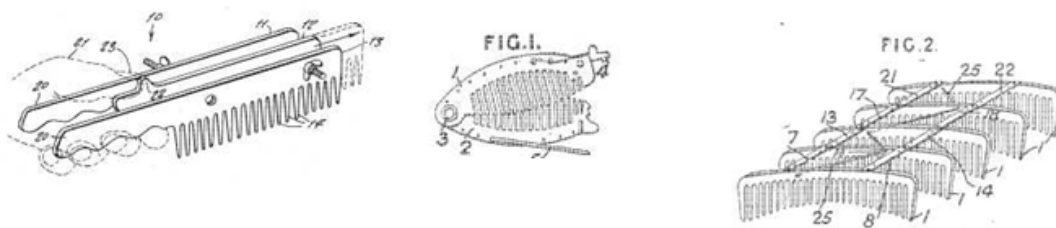
A45D 2/44

using two or more combs one upon the other or one in distance to the other, e.g. using slidable combs

Definition statement

This place covers:

Illustrative examples of subject matter classified in this group.



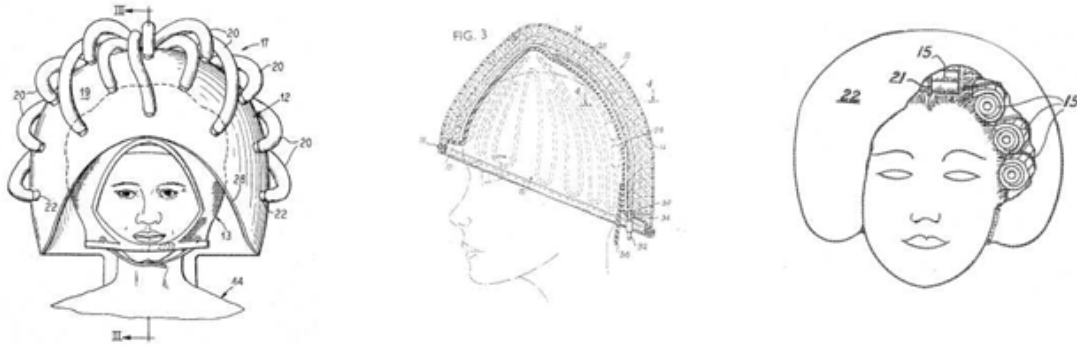
A45D 2/46

Hair-waving caps

Definition statement

This place covers:

Illustrative examples of subject matter classified in this group.



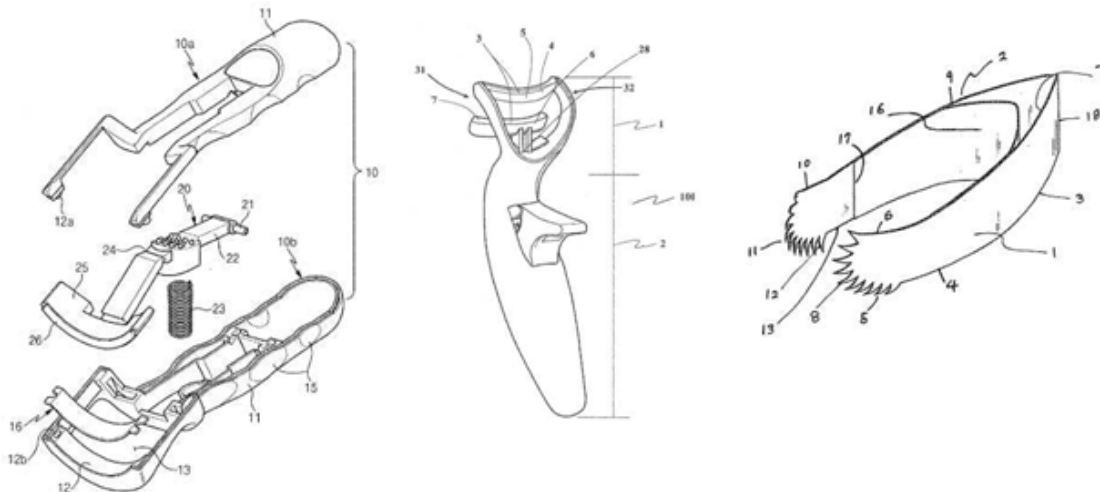
A45D 2/48

Eyelash curlers; Eyebrow curlers

Definition statement

This place covers:

Illustrative examples of subject matter classified in this group.



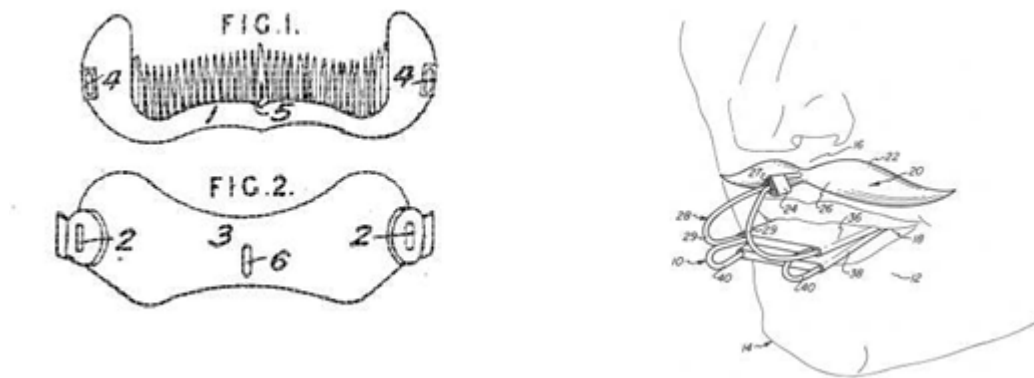
A45D 2/50

Beard binders; Like means for the care of the beard

Definition statement

This place covers:

Illustrative examples of subject matter classified in this group.



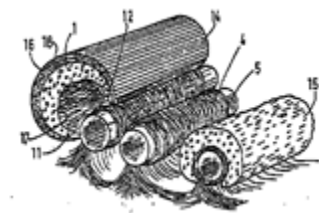
A45D 4/00

Separate devices designed for heating hair curlers or hair-wavers (hair-drying devices without connection to hair curlers or hair-wavers [A45D 20/00](#))

Definition statement

This place covers:

Illustrative examples of subject matter classified in this group.



References

Limiting references

This place does not cover:

Hair-drying devices without connection to hair curlers or hair-wavers	A45D 20/00
---	----------------------------

A45D 4/02

for steep curling, e.g. with means for decreasing the heat ([A45D 4/14](#), [A45D 4/16](#) take precedence)

Definition statement

This place covers:

Separate devices for heating steep curlers, i.e. curlers having a longitudinal axis that is perpendicular to the scalp

References

Limiting references

This place does not cover:

With chemical heat reaction	A45D 4/14
For heating before use	A45D 4/16

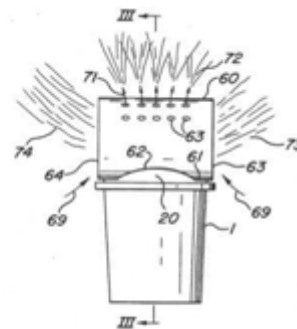
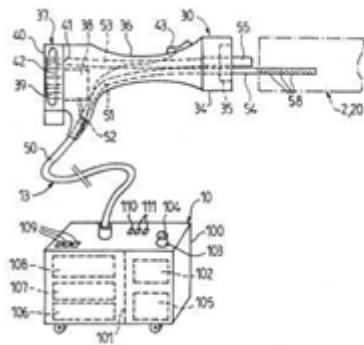
A45D 4/04

heated by steam or hot air

Definition statement

This place covers:

Illustrative examples of subject matter classified in this group.



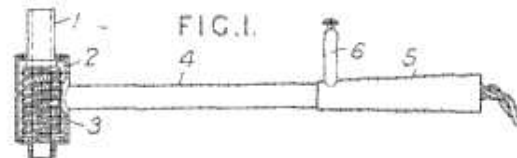
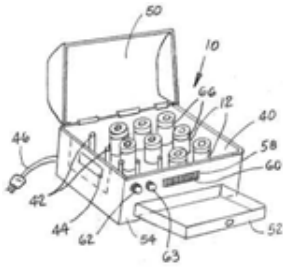
A45D 4/06

heated by electricity

Definition statement

This place covers:

Illustrative examples of subject matter classified in this group.



A45D 4/08

for flat curling, e.g. with means for decreasing the heat ([A45D 4/14](#), [A45D 4/16](#) take precedence)

References

Limiting references

This place does not cover:

With chemical heat reaction	A45D 4/14
For heating before use	A45D 4/16

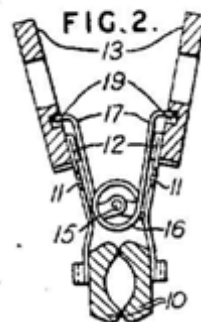
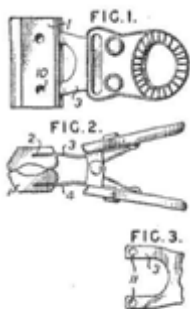
A45D 4/085

{with a heat accumulator (for curlers [A45D 2/362](#))}

Definition statement

This place covers:

Illustrative examples of subject matter classified in this group.



References

Limiting references

This place does not cover:

For curlers	A45D 2/362
-------------	----------------------------

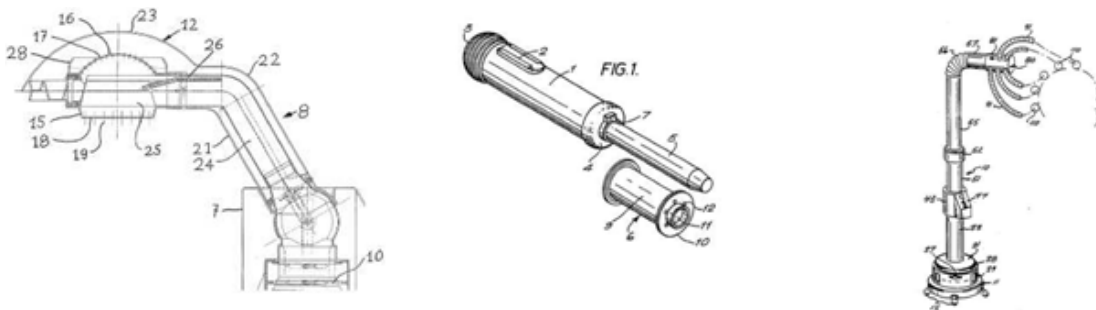
A45D 4/10

heated by steam or hot air

Definition statement

This place covers:

Illustrative examples of subject matter classified in this group.



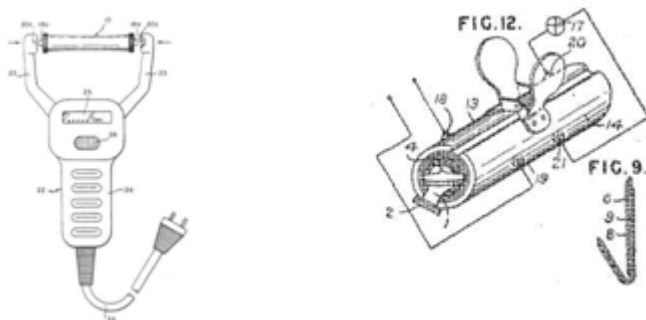
A45D 4/12

heated by electricity

Definition statement

This place covers:

Illustrative examples of subject matter classified in this group.



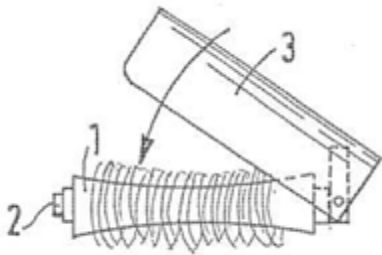
A45D 4/14

with chemical heat reaction and heat storage {([A45D 7/065](#) takes precedence)}

Definition statement

This place covers:

Illustrative examples of subject matter classified in this group.

**References****Limiting references**

This place does not cover:

Using wrappers with chemical heat reaction	A45D 7/065
--	----------------------------

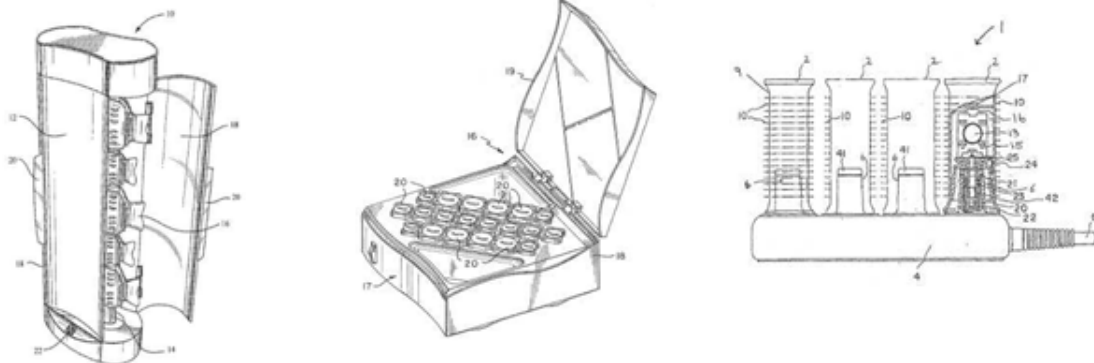
A45D 4/16

Independent devices characterised by heating the hair-curling or hair-waving means before use ([A45D 1/20](#) takes precedence)

Definition statement

This place covers:

Illustrative examples of subject matter classified in this group.

**References****Limiting references**

This place does not cover:

For curling-tongs or curling-irons	A45D 1/20
------------------------------------	---------------------------

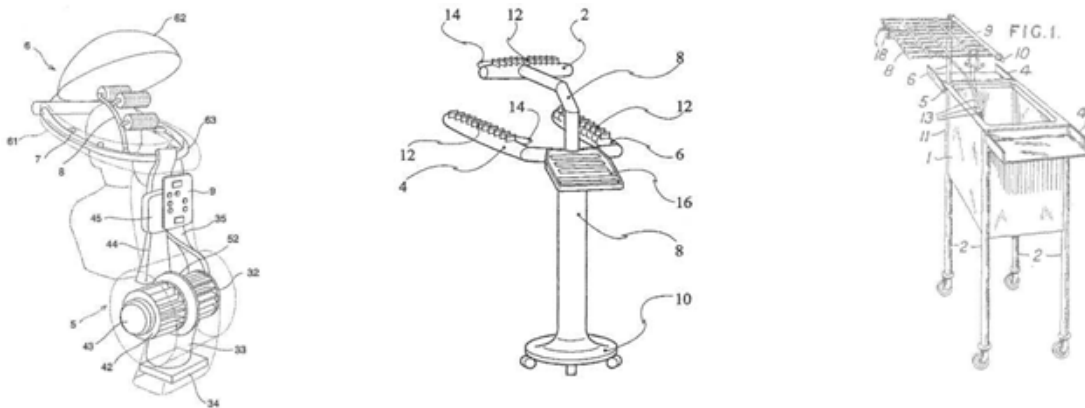
A45D 4/18

Supports or suspending means for devices heating hair-curling or hair-waving means while in use

Definition statement

This place covers:

Illustrative examples of subject matter classified in this group.



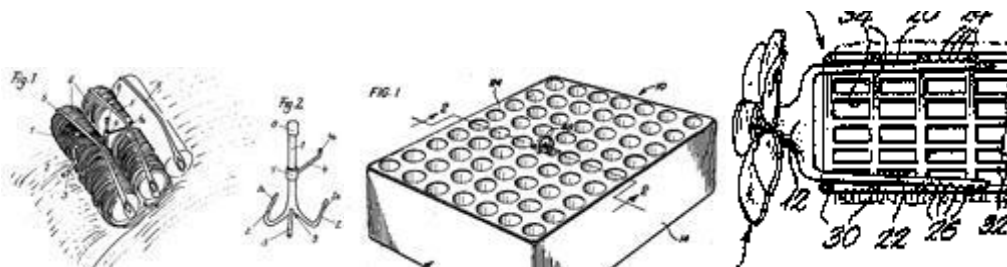
A45D 6/00

Details of, or accessories for, hair-curling or hair-waving devices

Definition statement

This place covers:

Illustrative examples of subject matter classified in this group.



References

Informative references

Attention is drawn to the following places, which may be of interest for search:

Drive or control circuitry for piezoelectric devices	H10N 30/802
--	-----------------------------

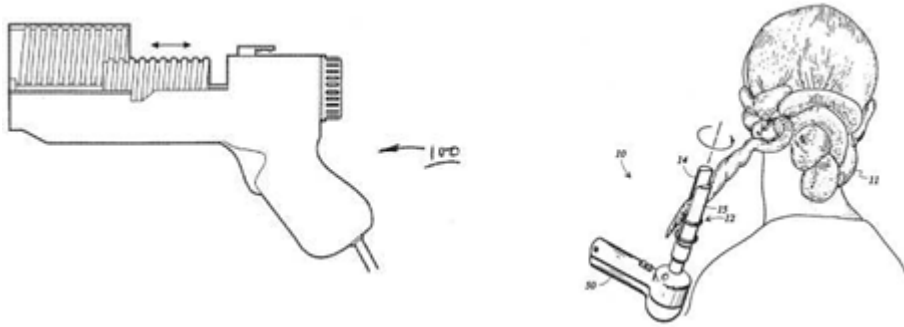
A45D 6/02

Devices for winding the hair upon steep-curlers

Definition statement

This place covers:

Illustrative examples of subject matter classified in this group.



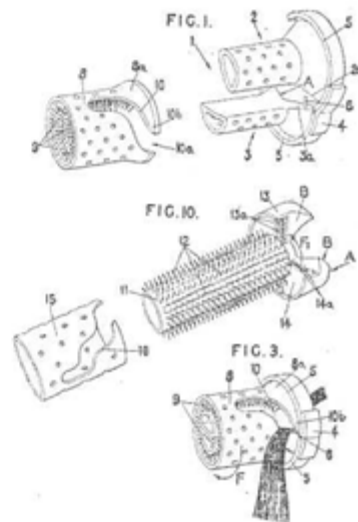
A45D 6/04

Devices for winding the hair on flat-curlers

Definition statement

This place covers:

Illustrative examples of subject matter classified in this group.



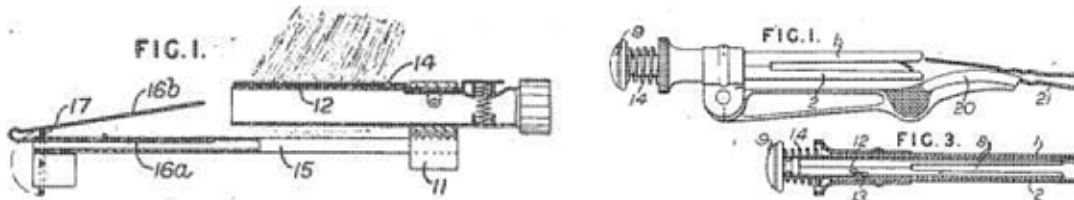
A45D 6/045

{with a removable hair-pin or clip}

Definition statement

This place covers:

Illustrative examples of subject matter classified in this group.



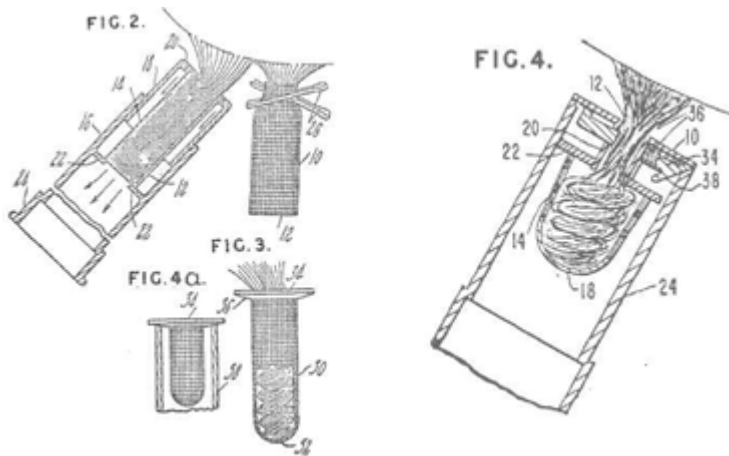
A45D 6/06

Devices for pneumatic waving in form boxes

Definition statement

This place covers:

Illustrative examples of subject matter classified in this group.



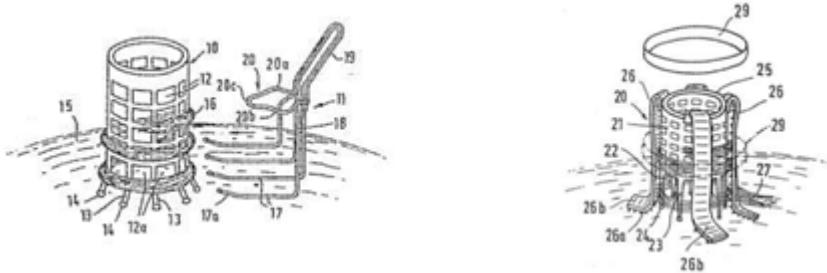
A45D 6/08

Base-clamps, e.g. for steep-curlers

Definition statement

This place covers:

Illustrative examples of subject matter classified in this group.



A45D 6/10

for flat-curlers

Definition statement

This place covers:

Illustrative examples of subject matter classified in this group.



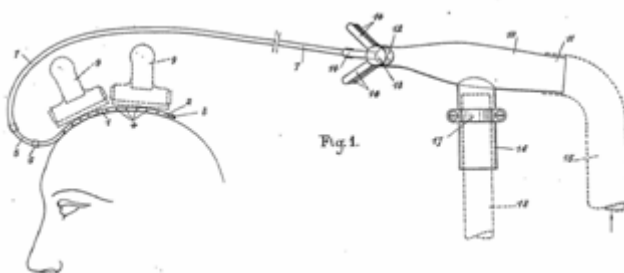
A45D 6/12

with cooling means

Definition statement

This place covers:

Illustrative example of subject matter classified in this group.



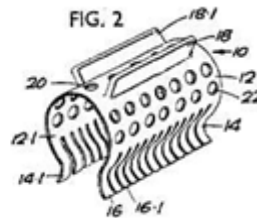
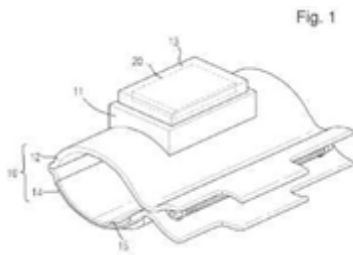
A45D 6/14

Simple clamps for hair curlers

Definition statement

This place covers:

Illustrative examples of subject matter classified in this group.



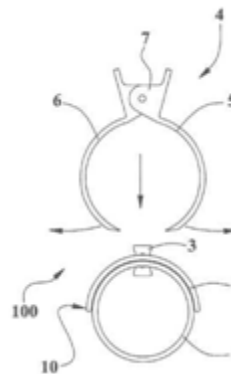
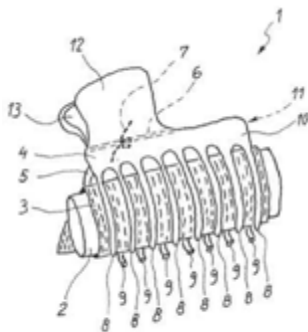
A45D 6/145

{articulated ([A45D 4/00](#) takes precedence)}

Definition statement

This place covers:

Illustrative examples of subject matter classified in this group.



References

Limiting references

This place does not cover:

For heating hair-curlers or hair wavers	A45D 4/00
---	---------------------------

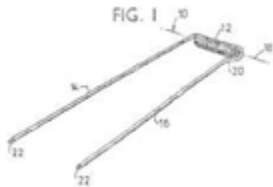
A45D 6/16

Curler pins

Definition statement

This place covers:

Illustrative example of subject matter classified in this group.



A45D 6/18

Protecting devices or packages for hair curlers or the like while in use

Definition statement

This place covers:

Illustrative example of subject matter classified in this group.



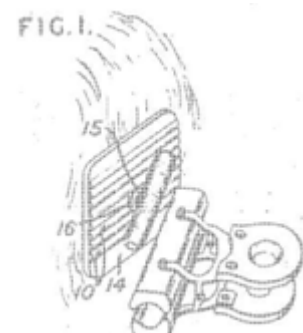
A45D 6/185

{for flat curling}

Definition statement

This place covers:

Illustrative example of subject matter classified in this group.



A45D 6/20**Devices for controlling the temperature of hair curlers****References****Informative references**

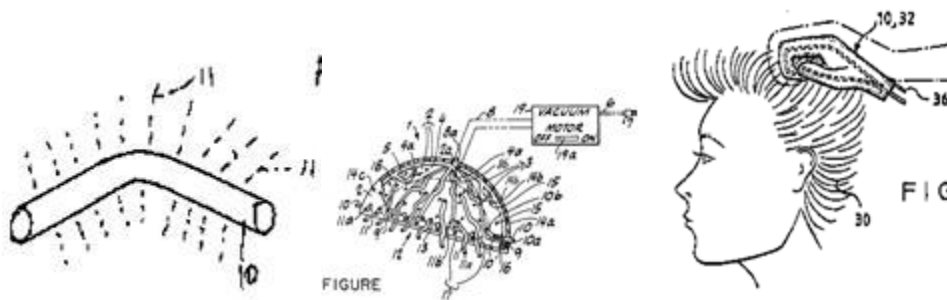
Attention is drawn to the following places, which may be of interest for search:

Thermometers	G01K
--------------	----------------------

A45D 7/00**Processes of waving, straightening or curling hair****Definition statement**

This place covers:

Illustrative examples of subject matter classified in this group.

**References****Informative references**

Attention is drawn to the following places, which may be of interest for search:

Cosmetic or similar toiletry preparations	A61K 8/00
Radiation therapy using microwaves for treatment outside the body	A61N 5/02
Preparations for permanent waving or straightening the hair	A61Q 5/04
Heating by electric, magnetic, or electromagnetic fields	H05B 6/00

A45D 7/02**thermal****References****Informative references**

Attention is drawn to the following places, which may be of interest for search:

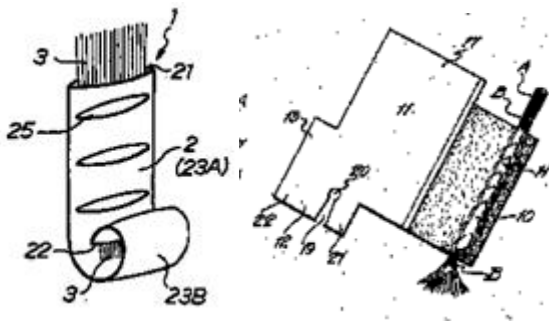
Curling-tongs, curling-irons	A45D 1/00
------------------------------	---------------------------

A45D 7/04**chemical****References****Informative references***Attention is drawn to the following places, which may be of interest for search:*

Preparations for permanent waving or straightening the hair	A61Q 5/04
---	---------------------------

A45D 7/045**{using wrappers}****Definition statement***This place covers:*

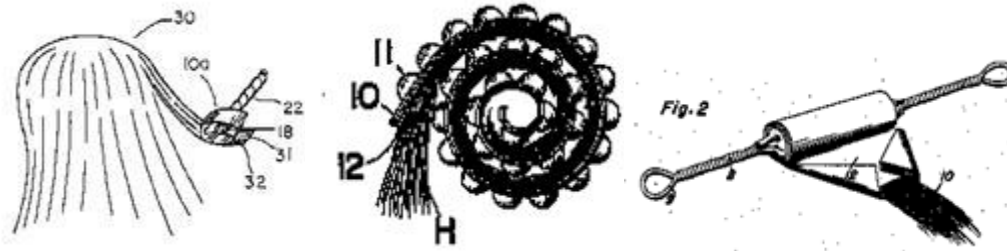
Illustrative example of subject matter classified in this group.

**A45D 7/06****combined chemical and thermal****References****Informative references***Attention is drawn to the following places, which may be of interest for search:*

Preparations for permanent waving or straightening the hair	A61Q 5/04
---	---------------------------

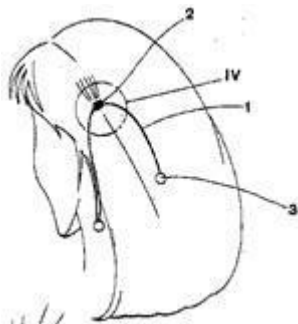
A45D 7/065**{using wrappers with chemical heat reaction}****Definition statement***This place covers:*

Illustrative examples of subject matter classified in this group.

**A45D 8/00****Hair-holding devices {(as hair-curling or hair-waving appliances [A45D 2/00](#))};
Accessories therefor****Definition statement***This place covers:*

Hairpin removers, Ornaments

Illustrative example:

**References****Limiting references***This place does not cover:*

Hair-holding devices as hair-curling or hair-waving appliances	A45D 2/00
--	---------------------------

Informative references*Attention is drawn to the following places, which may be of interest for search:*

Fastening hair pieces by mechanical fasteners	A41G 5/0073
Jewellery	A44C

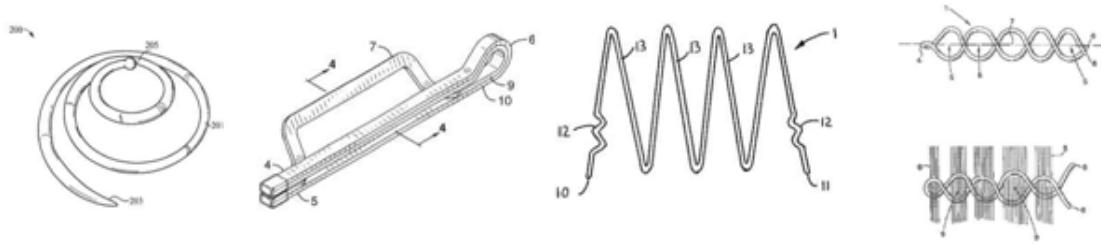
A45D 8/02

Hair pins

Definition statement

This place covers:

Illustrative examples of subject matter classified in this group.



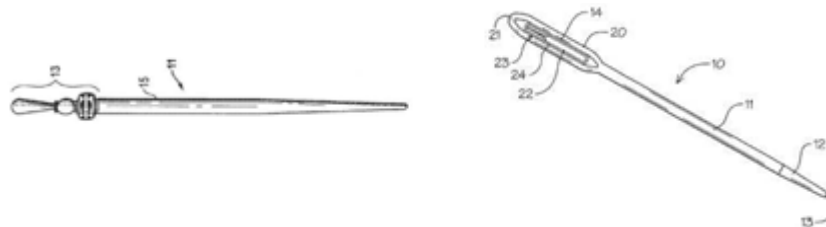
A45D 8/04

single-limbed

Definition statement

This place covers:

Illustrative examples of subject matter classified in this group.



A45D 8/06

two-limbed, e.g. U-shaped

Definition statement

This place covers:

Illustrative examples of subject matter classified in this group.



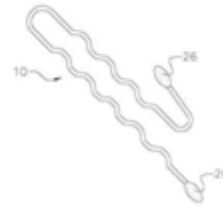
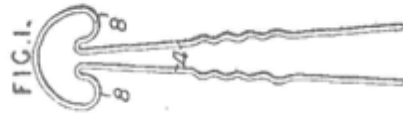
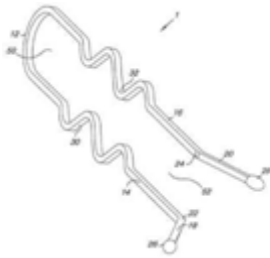
A45D 8/08

with zig-zag limb

Definition statement

This place covers:

Illustrative examples of subject matter classified in this group.



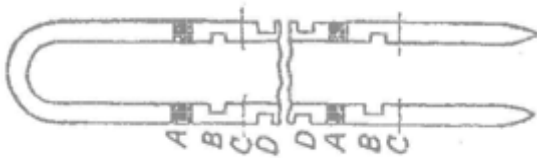
A45D 8/10

with teeth

Definition statement

This place covers:

Illustrative example of subject matter classified in this group.



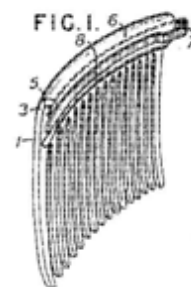
A45D 8/12

High combs or dress combs

Definition statement

This place covers:

Illustrative examples of subject matter classified in this group.



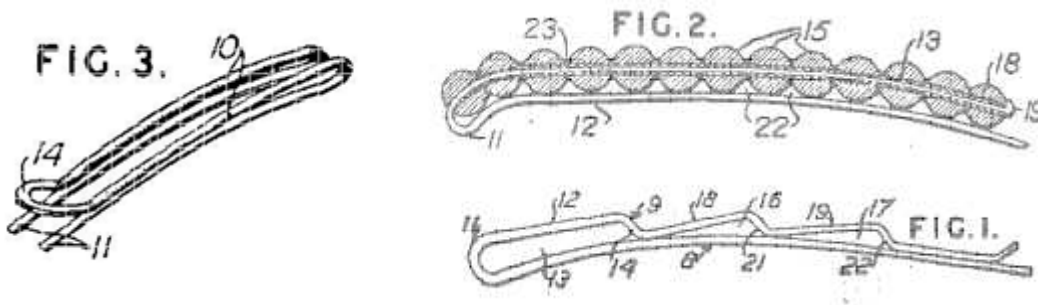
A45D 8/14

Hair grips, i.e. elastic single-piece two-limbed grips

Definition statement

This place covers:

Illustrative examples of subject matter classified in this group.



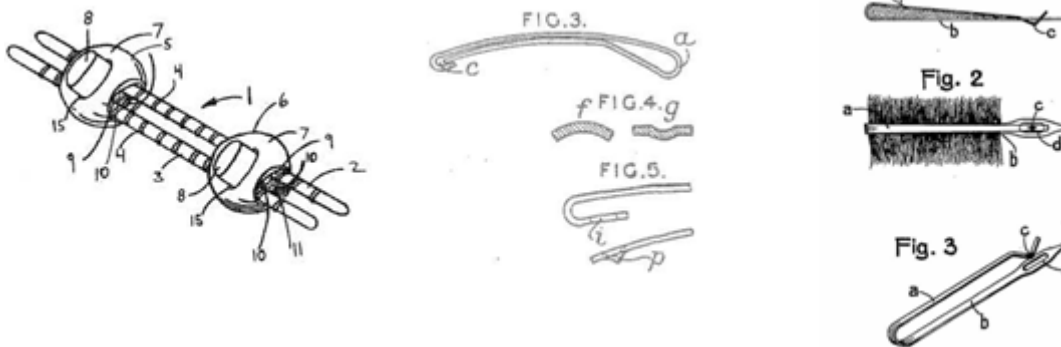
A45D 8/16

with additional fastener

Definition statement

This place covers:

Illustrative examples of subject matter classified in this group.



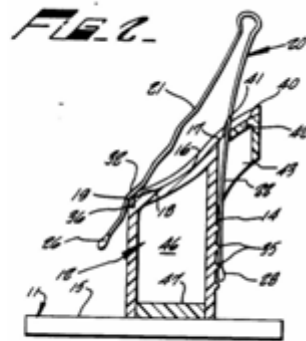
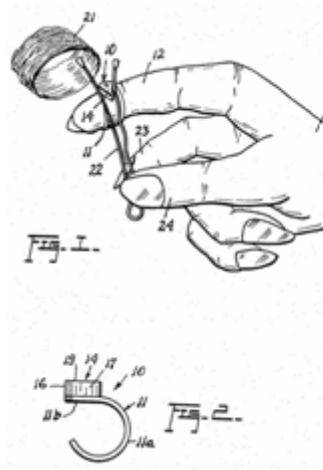
A45D 8/18

Grip openers; Grip {storing means, e.g.} boxes

Definition statement

This place covers:

Illustrative examples of subject matter classified in this group.



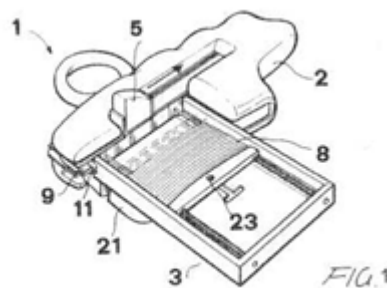
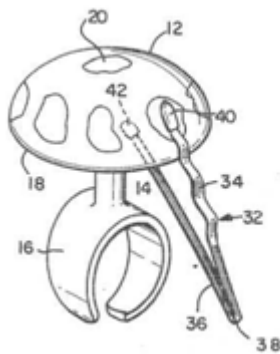
A45D 8/185

{Grip storing means, e.g. boxes, e.g. with dispensing means}

Definition statement

This place covers:

Illustrative examples of subject matter classified in this group.



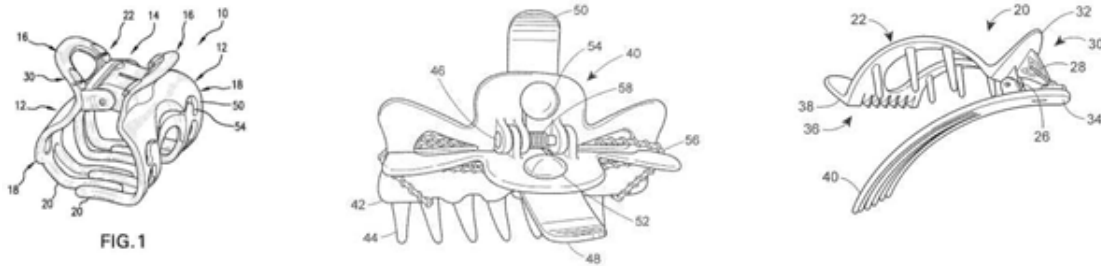
A45D 8/20

Hair clamps, i.e. elastic multi-part clamps, the parts of which are pivotally connected between their ends

Definition statement

This place covers:

Illustrative examples of subject matter classified in this group.



References

Informative references

Attention is drawn to the following places, which may be of interest for search:

Clothes-pegs with pivoted clamping members	D06F 55/02
--	----------------------------

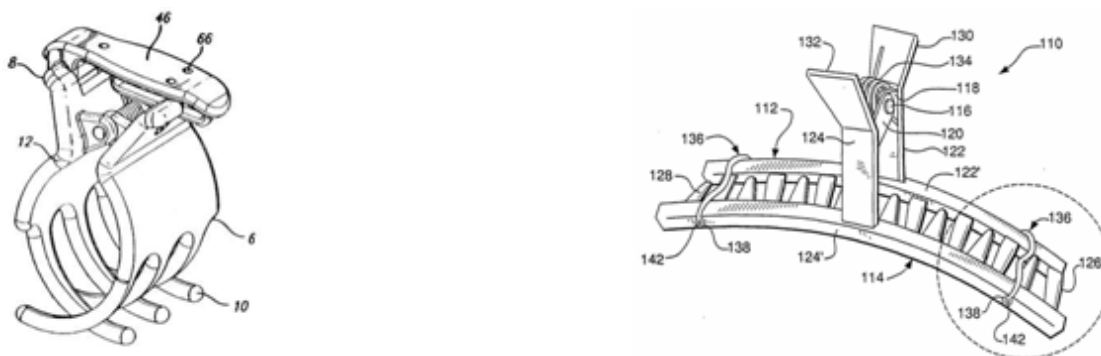
A45D 8/22

with additional fastener

Definition statement

This place covers:

Illustrative examples of subject matter classified in this group.



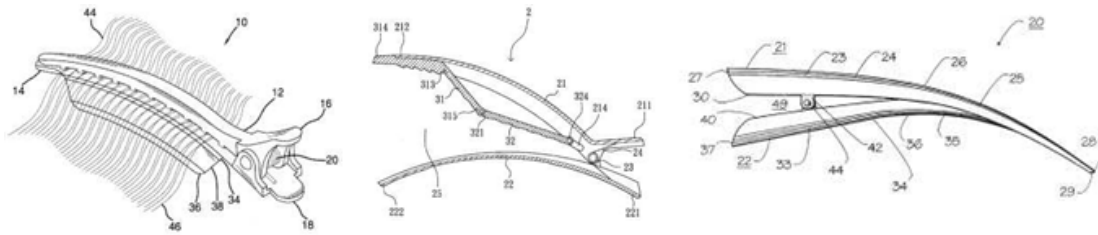
A45D 8/24

Hair clasps, i.e. multi-part clasps with pivotal connection of parts at their ends

Definition statement

This place covers:

Illustrative examples of subject matter classified in this group.



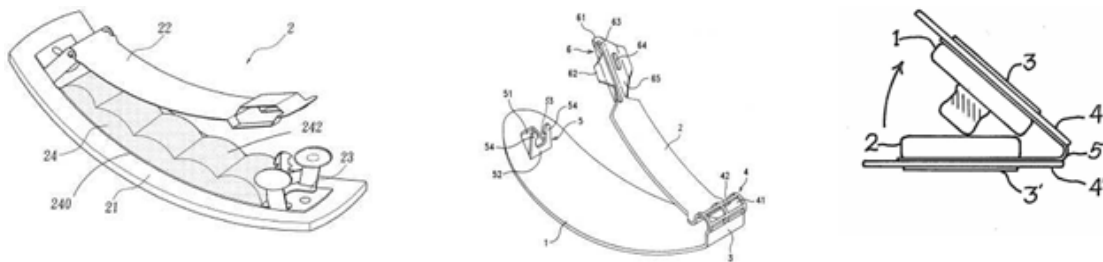
A45D 8/26

with snap fastener

Definition statement

This place covers:

Illustrative examples of subject matter classified in this group.



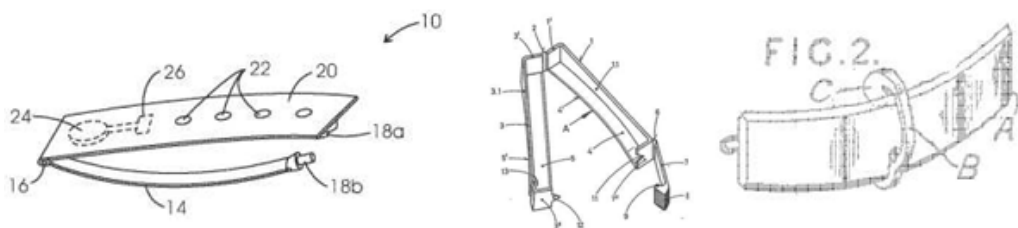
A45D 8/28

with other fastener

Definition statement

This place covers:

Illustrative examples of subject matter classified in this group.



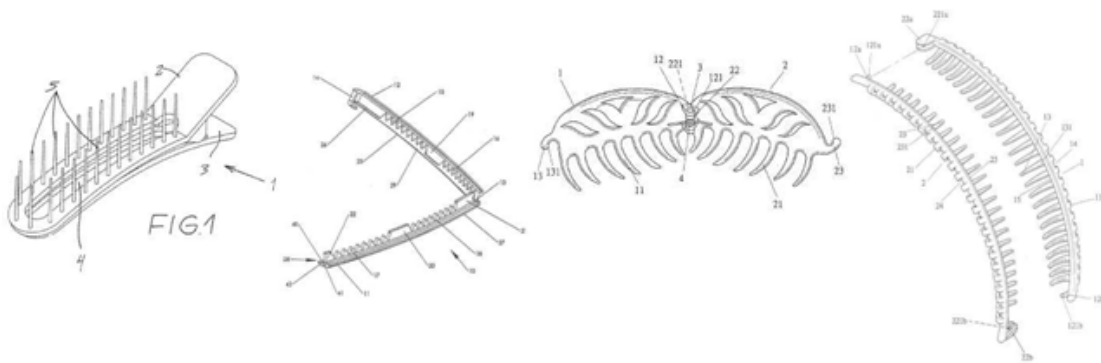
A45D 8/30

with comb-like prongs

Definition statement

This place covers:

Illustrative examples of subject matter classified in this group.



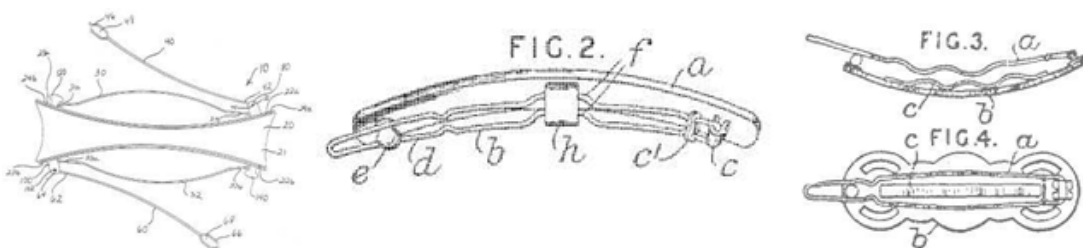
A45D 8/32

with double-bow; with U-shaped limbs

Definition statement

This place covers:

Illustrative examples of subject matter classified in this group.



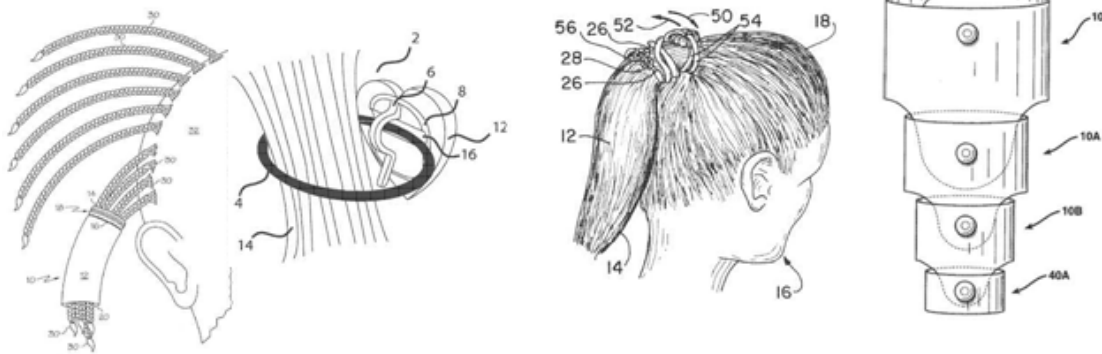
A45D 8/34

Hair-braid holders; Hair-plait holders

Definition statement

This place covers:

Illustrative examples of subject matter classified in this group.



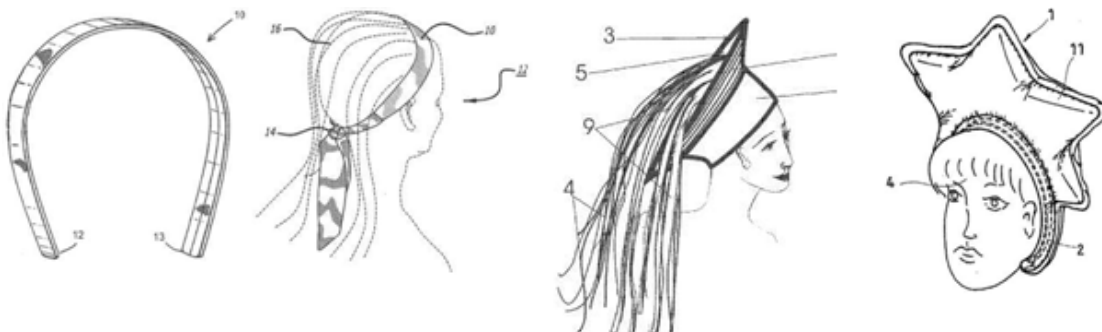
A45D 8/36

Hair straps; Hair rings

Definition statement

This place covers:

Illustrative examples of subject matter classified in this group.



A45D 8/38

Hair fillers, e.g. wire gratings

Definition statement

This place covers:

Illustrative examples of subject matter classified in this group.



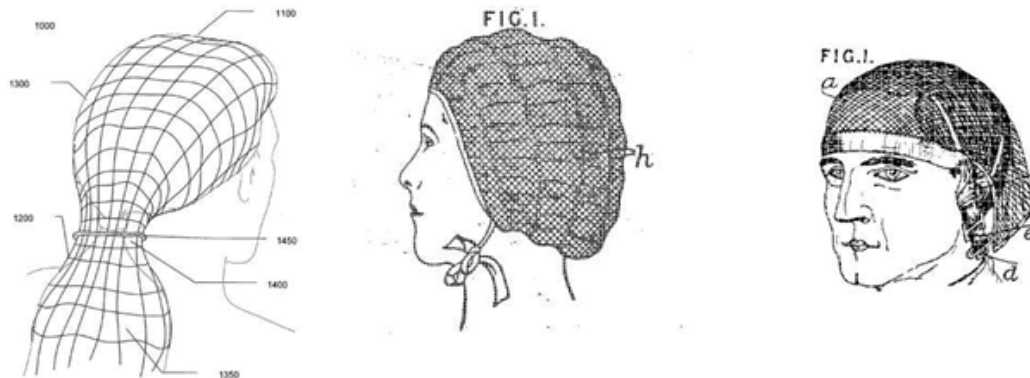
A45D 8/40

Hair-nets; Hair-protecting caps

Definition statement

This place covers:

Illustrative examples of subject matter classified in this group.



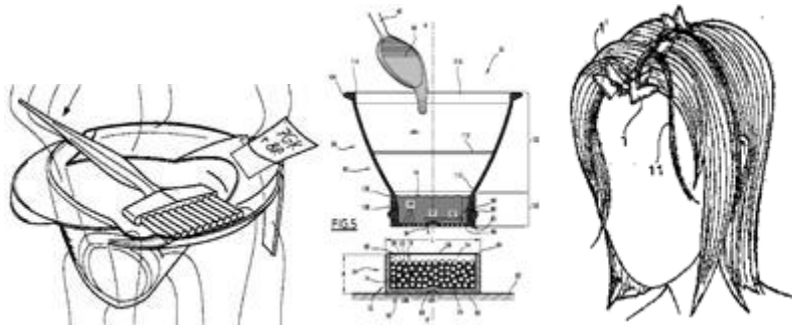
A45D 19/00

Devices for washing the hair or the scalp; Similar devices for colouring the hair

Definition statement

This place covers:

Illustrative examples of subject matter classified in this group.



References

Informative references

Attention is drawn to the following places, which may be of interest for search:

Cosmetic preparations	A61K 8/00
Preparations for care of the hair	A61Q 5/00 - A61Q 9/00

A45D 19/012

{Devices for colouring or bleaching separated strands of hair, e.g. highlighting ([A45D 19/02](#) and [A45D 19/18](#) take precedence)}

Definition statement

This place covers:

Illustrative examples of subject matter classified in this group.



References

Limiting references

This place does not cover:

Hand-actuated implements	A45D 19/02
Hair-colouring caps	A45D 19/18

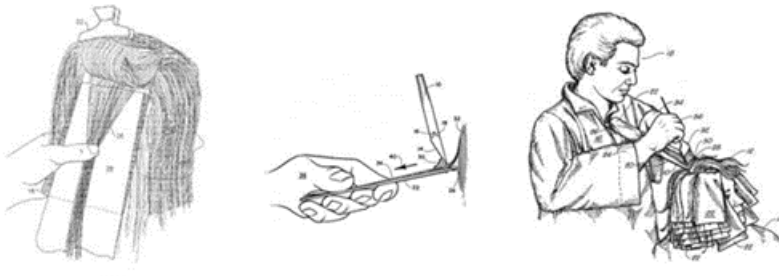
A45D 19/016

{comprising an open, flat support for strands of hair or for wrapping foils during the application of the dyeing product}

Definition statement

This place covers:

Illustrative examples of subject matter classified in this group.



A45D 19/018

{comprising wrapping foils or foldable sheets for enclosing a strand of hair during treatment, e.g. frosting foils}

Definition statement

This place covers:

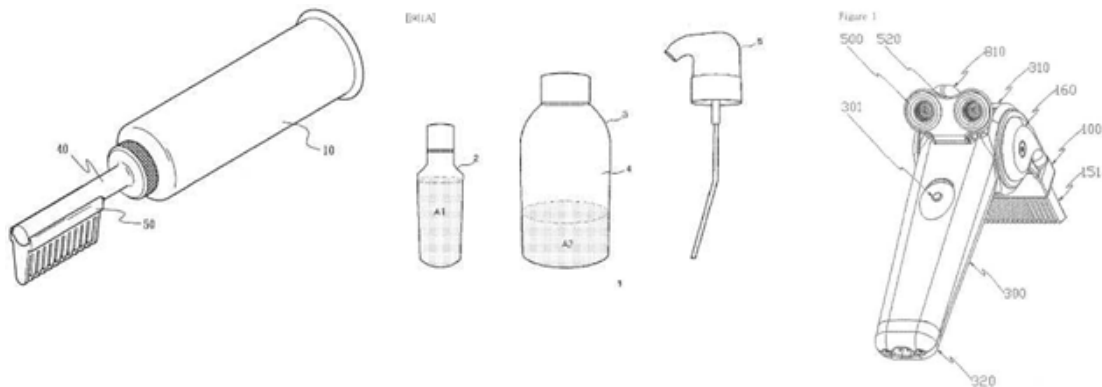
Illustrative examples of subject matter classified in this group.



A45D 19/02**Hand-actuated implements, e.g. hand-actuated spray heads****Definition statement**

This place covers:

Illustrative examples of subject matter classified in this group.



Applicators, e.g. with container, for applying a product onto the hair

References**Informative references**

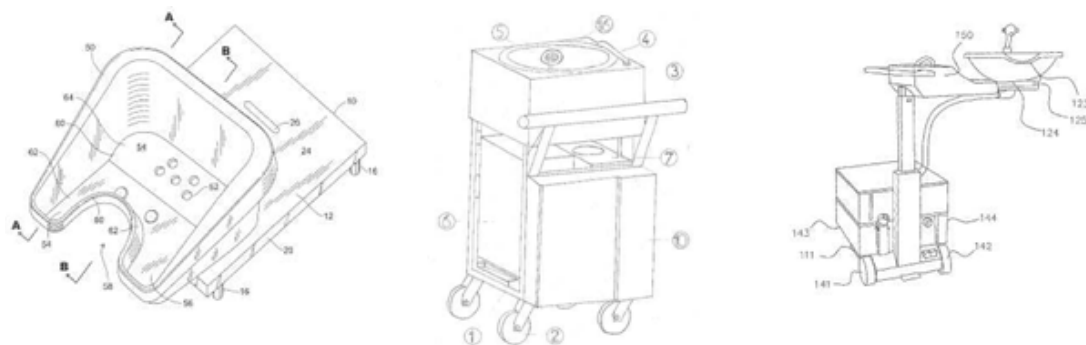
Attention is drawn to the following places, which may be of interest for search:

Spraying in general	B05B , B05D
---------------------	---

A45D 19/04**Portable wash stands****Definition statement**

This place covers:

Illustrative examples of subject matter classified in this group.



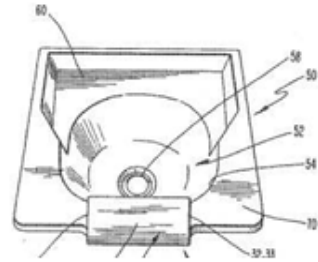
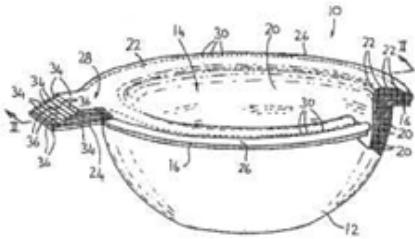
A45D 19/06

in the form of bowls or similar open containers

Definition statement

This place covers:

Illustrative examples of subject matter classified in this group.



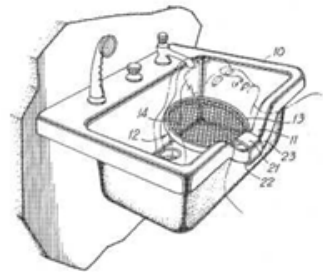
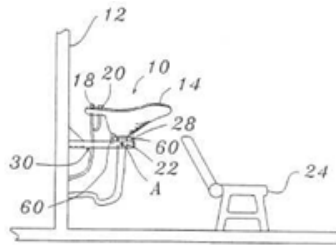
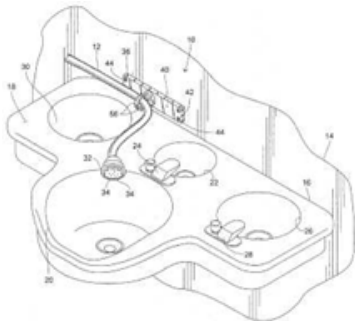
A45D 19/08

Adaptations of wash-basins

Definition statement

This place covers:

Illustrative examples of subject matter classified in this group.



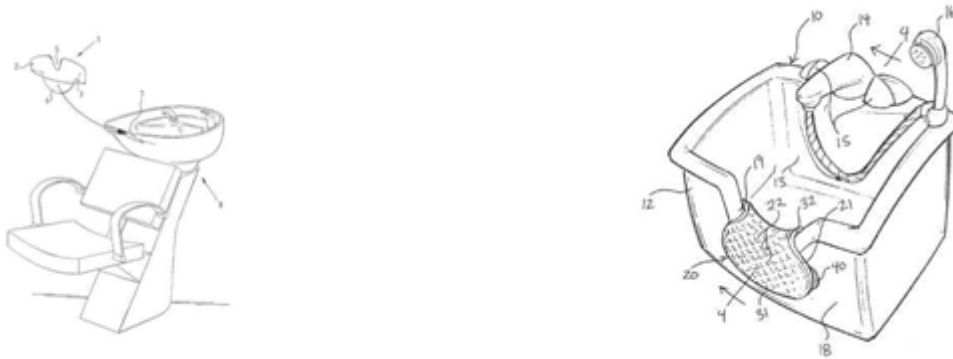
A45D 19/10

Backward lavabos

Definition statement

This place covers:

Illustrative examples of subject matter classified in this group.



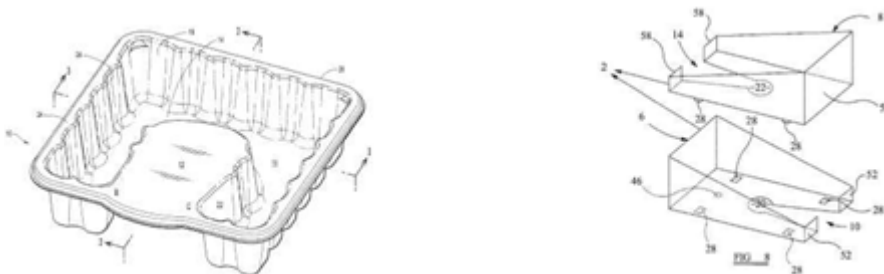
A45D 19/12

Water catch bowls

Definition statement

This place covers:

Illustrative example of subject matter classified in this group.



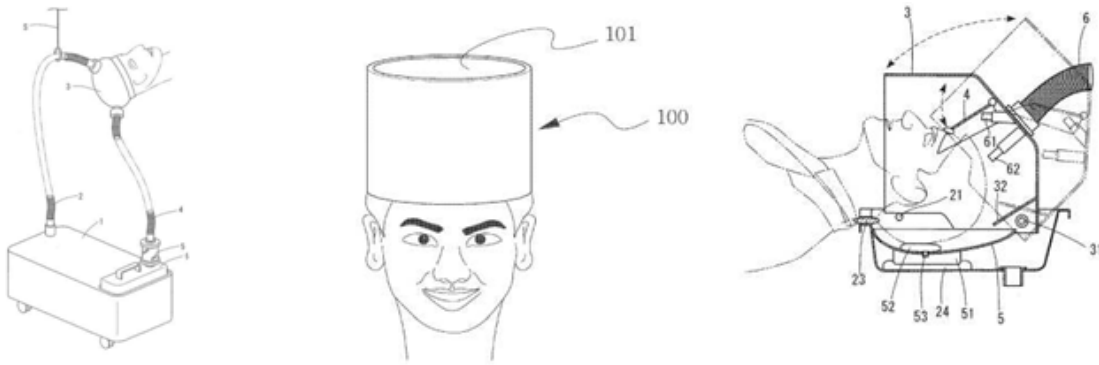
A45D 19/14

Closed washing devices, e.g. washing caps ([A45D 19/18](#) takes precedence)

Definition statement

This place covers:

Illustrative example of subject matter classified in this group.



References

Limiting references

This place does not cover:

Hair-colouring caps	A45D 19/18
---------------------	----------------------------

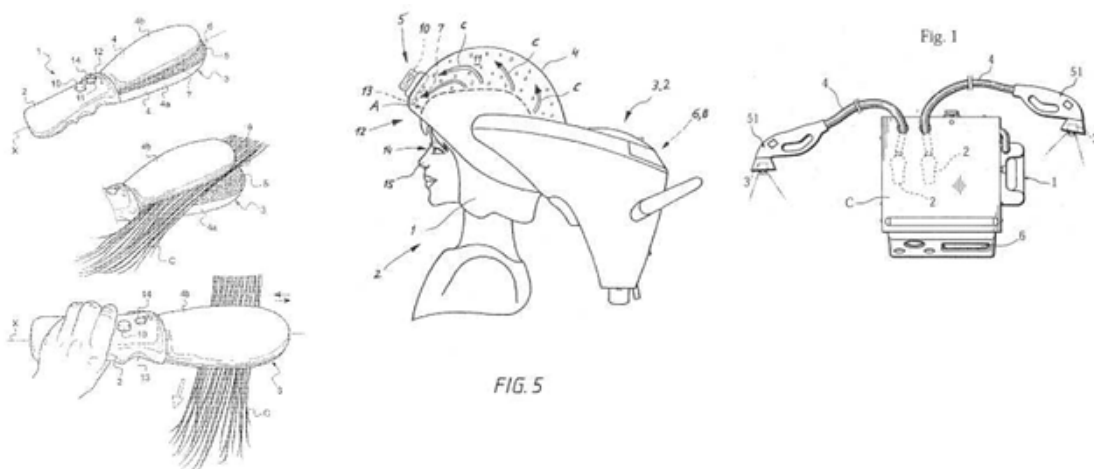
A45D 19/16

Surface treatment of hair by steam, oil, or the like

Definition statement

This place covers:

Illustrative examples of subject matter classified in this group.



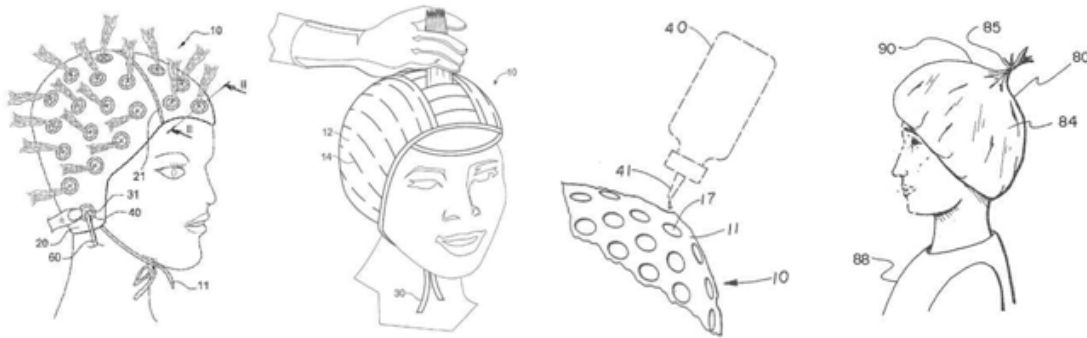
A45D 19/18

Hair-colouring caps

Definition statement

This place covers:

Illustrative examples of subject matter classified in this group.



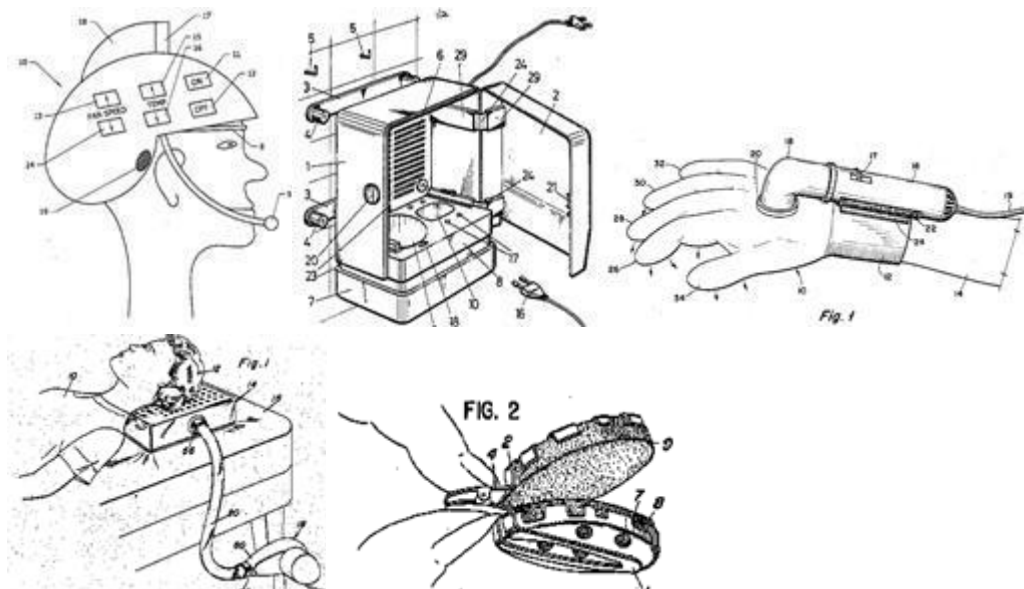
A45D 20/00

Hair drying devices; Accessories therefor ([A45D 2/00](#) takes precedence)

Definition statement

This place covers:

Illustrative examples of subject matter classified in this group.



References

Limiting references

This place does not cover:

Hair-curling or hair-waving appliances	A45D 2/00
Drying in general	F26

Informative references

Attention is drawn to the following places, which may be of interest for search:

Body-drying implements	A47K 10/00
Radiation therapy for treating hair, using light	A61N 5/0617

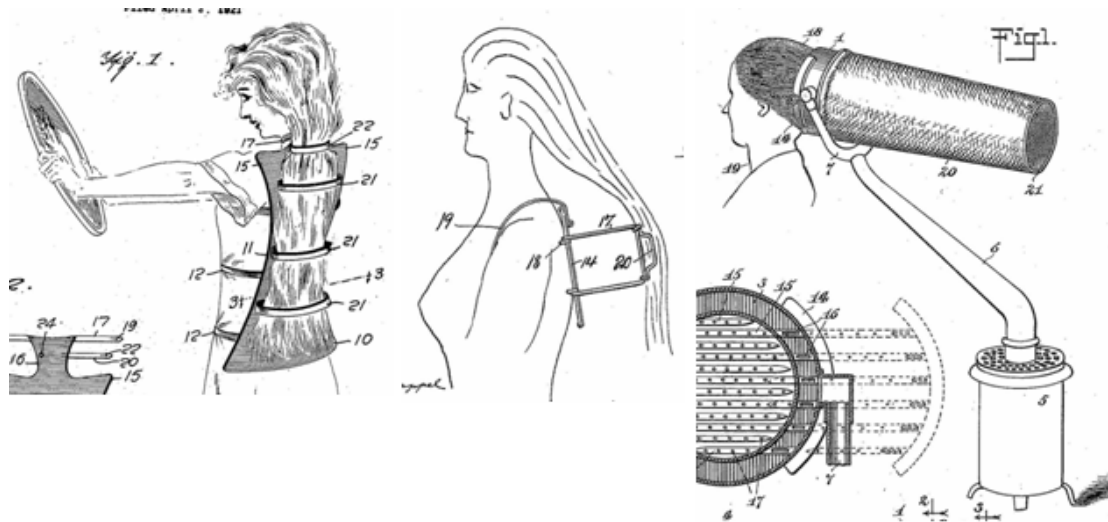
A45D 20/02

Lay frames for long open hair

Definition statement

This place covers:

Illustrative examples of subject matter classified in this group.



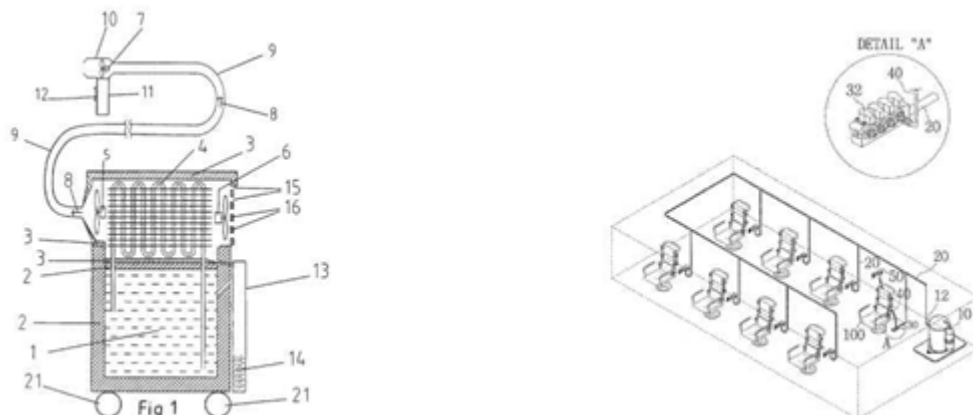
A45D 20/04

Hot-air producers ([A45D 20/20](#), [A45D 20/22](#) take precedence)

Definition statement

This place covers:

Illustrative examples of subject matter classified in this group.



References

Limiting references

This place does not cover:

Helmets	A45D 20/20 , A45D 20/22
---------	---

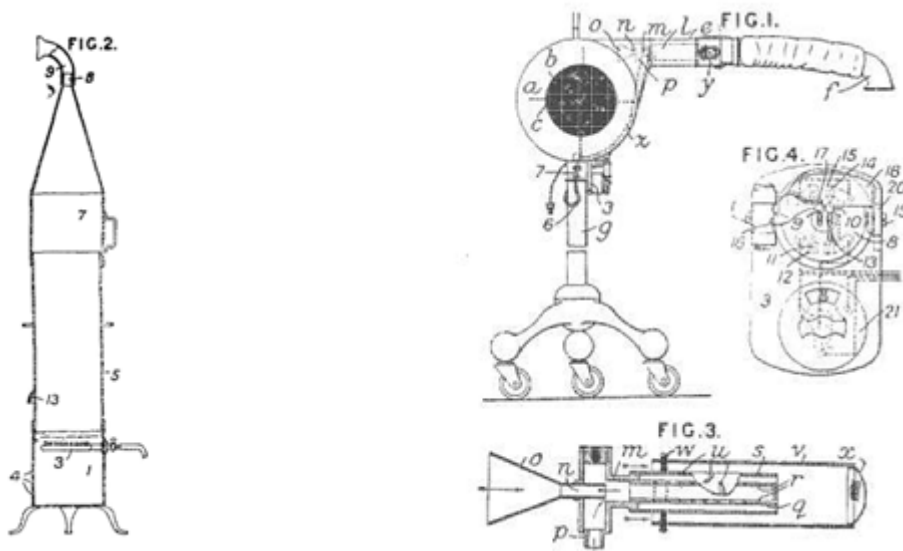
A45D 20/06

heated otherwise than electrically; ventilated by muscle power

Definition statement

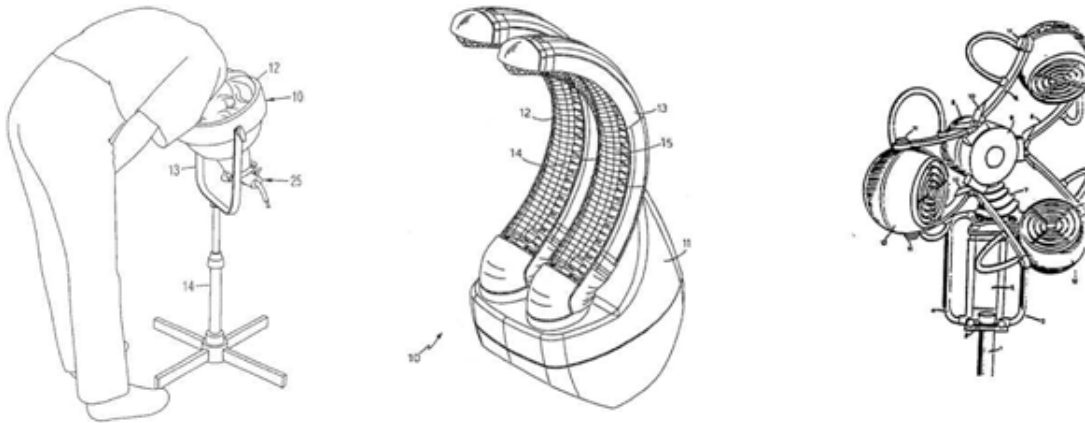
This place covers:

Illustrative example of subject matter classified in this group.



A45D 20/08**heated electrically****Definition statement***This place covers:*

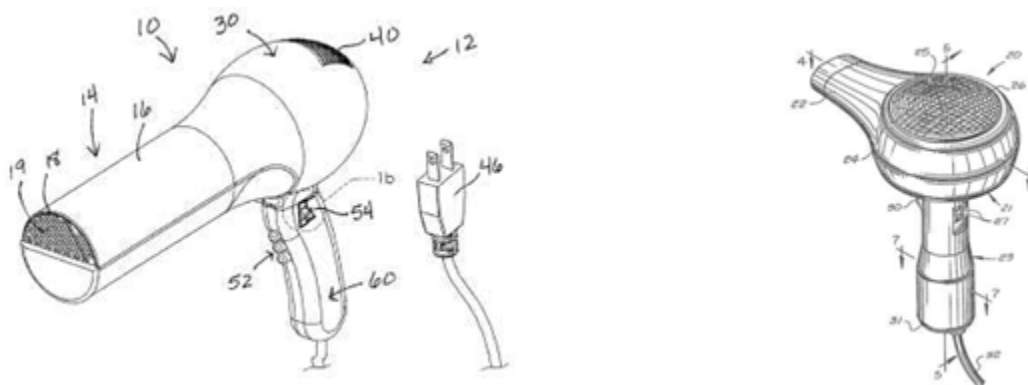
Illustrative examples of subject matter classified in this group.

**References****Limiting references***This place does not cover:*

Electric heating elements per se	H05B
----------------------------------	----------------------

A45D 20/10**Hand-held drying devices, e.g. air douches****Definition statement***This place covers:*

Illustrative examples of subject matter classified in this group.



References

Informative references

Attention is drawn to the following places, which may be of interest for search:

Hand-held air guns	F24H 3/0423
--------------------	-----------------------------

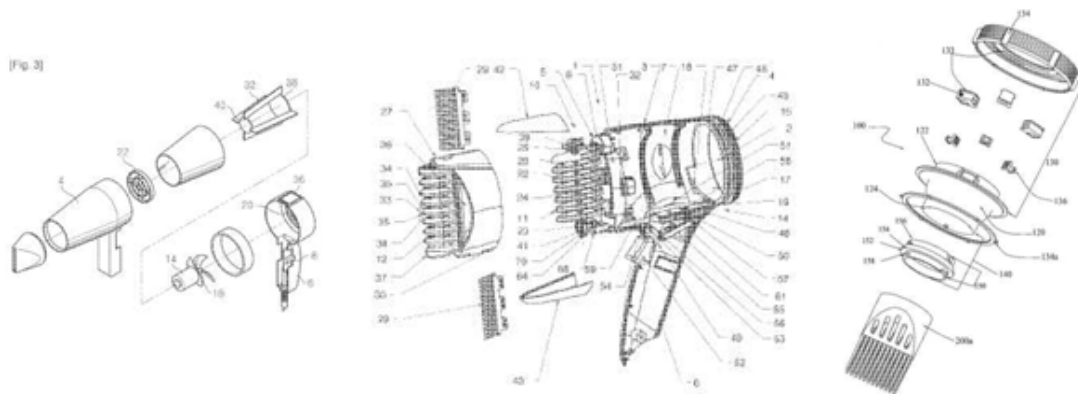
A45D 20/12

Details thereof or accessories therefor, e.g. nozzles, stands

Definition statement

This place covers:

Illustrative example of subject matter classified in this group.



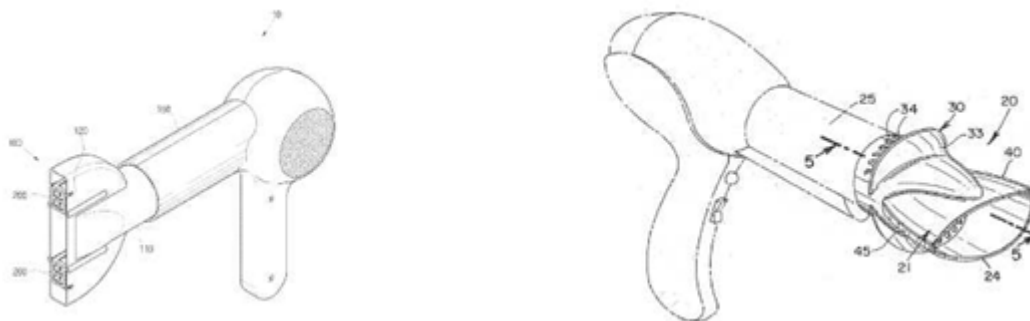
A45D 20/122

{Diffusers, e.g. for variable air flow}

Definition statement

This place covers:

Illustrative examples of subject matter classified in this group.



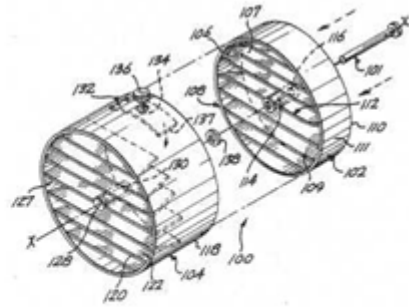
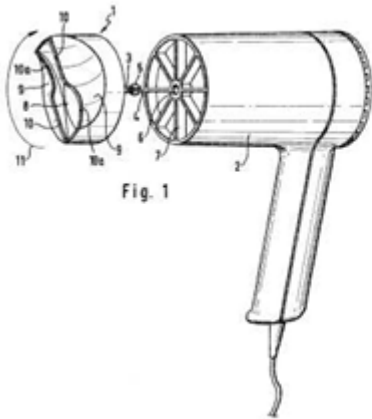
A45D 20/124

{comprising rotating elements}

Definition statement

This place covers:

Illustrative examples of subject matter classified in this group.



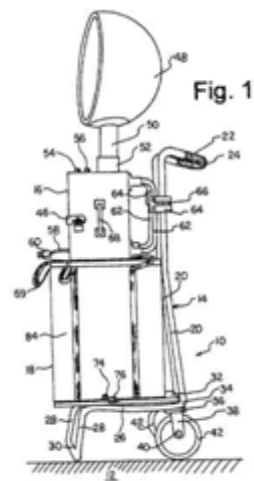
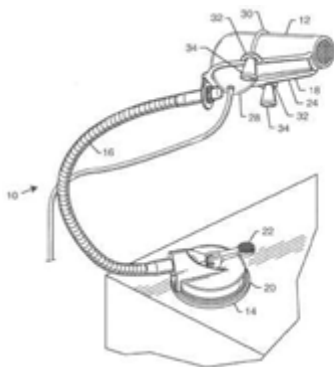
A45D 20/14

Portable drying stands

Definition statement

This place covers:

Illustrative examples of subject matter classified in this group.



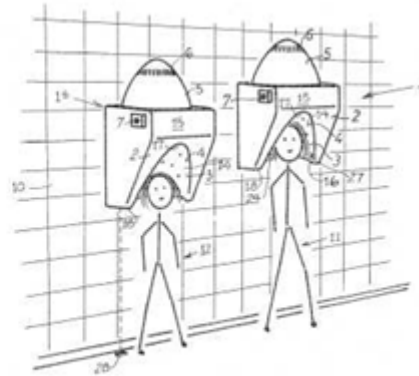
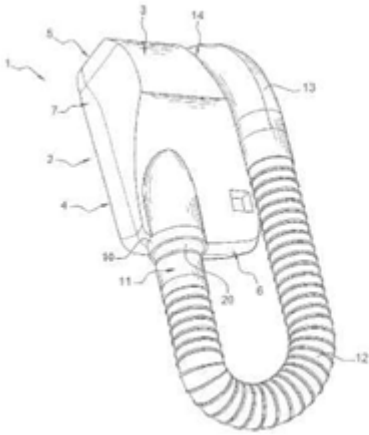
A45D 20/16

Fixed installed drying devices

Definition statement

This place covers:

Illustrative examples of subject matter classified in this group.



References

Informative references

Attention is drawn to the following places, which may be of interest for search:

Body-drying by means of hot air	A47K 10/48
---------------------------------	----------------------------

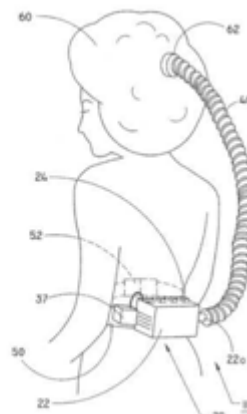
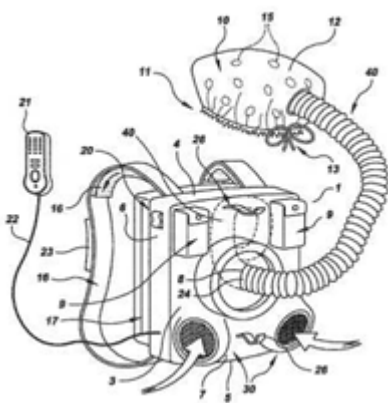
A45D 20/18

Flexible caps with provision for hot air supply

Definition statement

This place covers:

Illustrative examples of subject matter classified in this group.



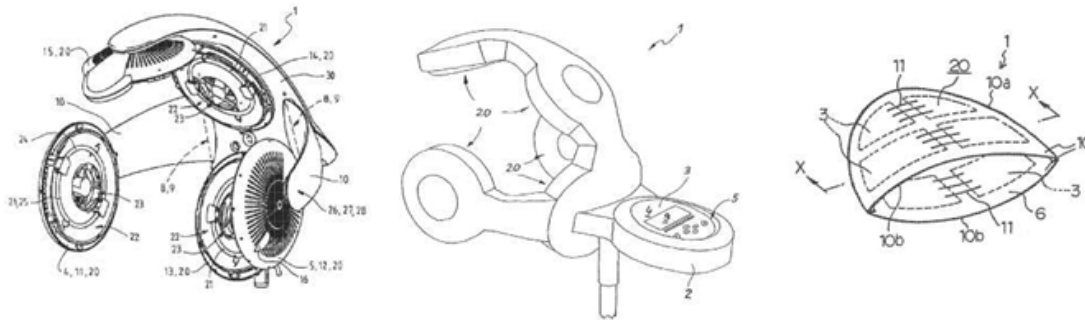
A45D 20/20

Helmets without hot air supply or other ventilation, e.g. electrically heated

Definition statement

This place covers:

Illustrative examples of subject matter classified in this group.



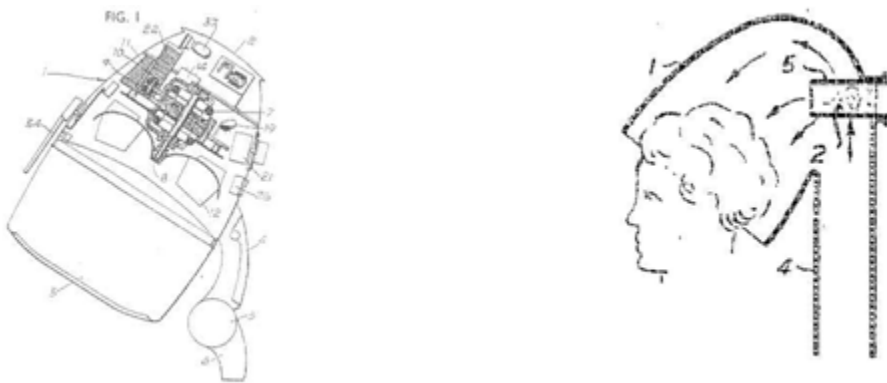
A45D 20/22

Helmets with hot air supply or ventilating means, e.g. electrically heated air current

Definition statement

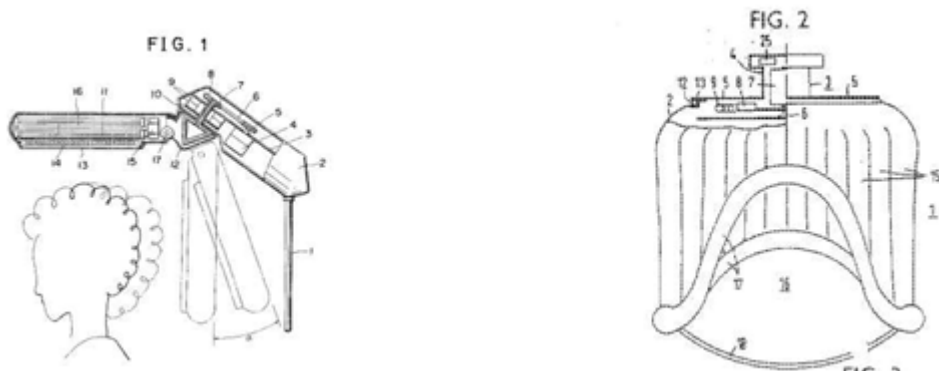
This place covers:

Illustrative examples of subject matter classified in this group.



A45D 20/24**Shape or structure of the helmet body ([A45D 20/26](#) takes precedence)****Definition statement***This place covers:*

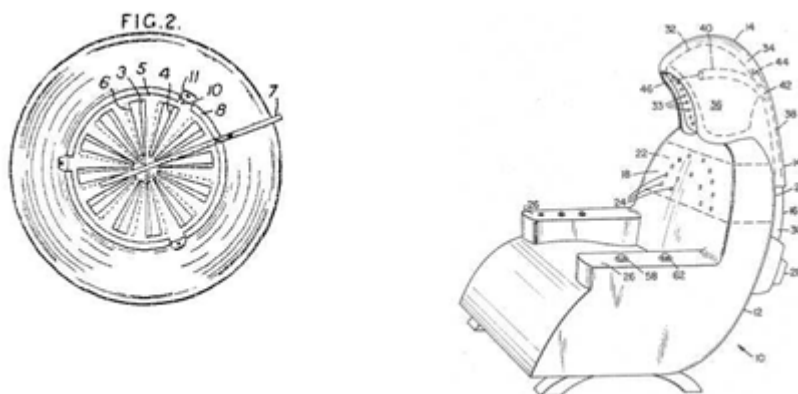
Illustrative examples of subject matter classified in this group.

**References****Limiting references***This place does not cover:*

Guiding or controlling the air	A45D 20/26
--------------------------------	----------------------------

A45D 20/26**Guiding the air; Controlling the air quantity****Definition statement***This place covers:*

Illustrative examples of subject matter classified in this group.



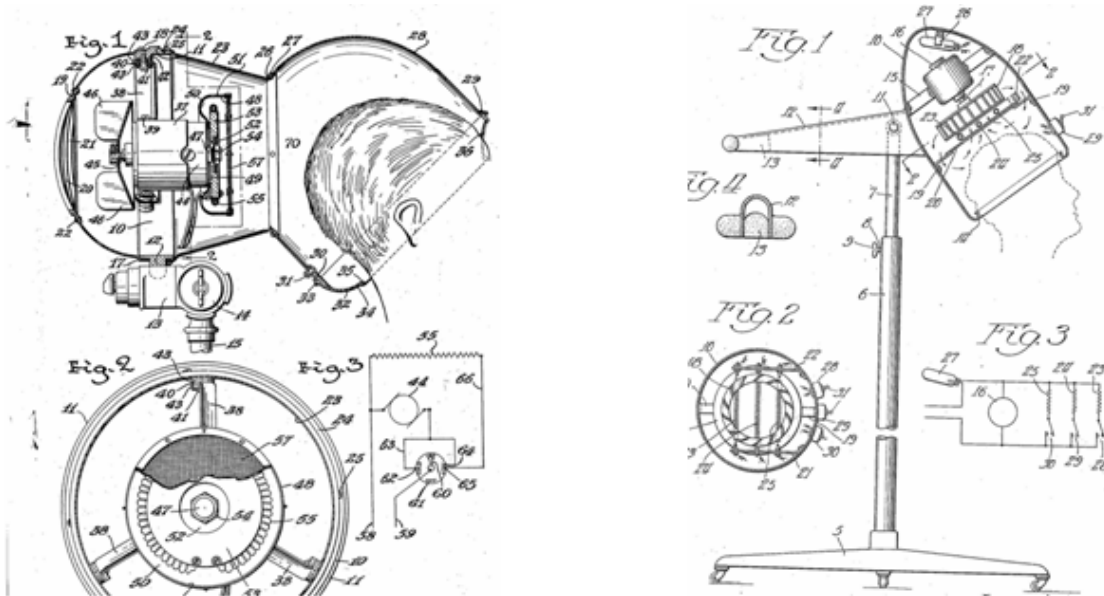
A45D 20/28

Drying the air by incorporated heating elements

Definition statement

This place covers:

Illustrative examples of subject matter classified in this group.



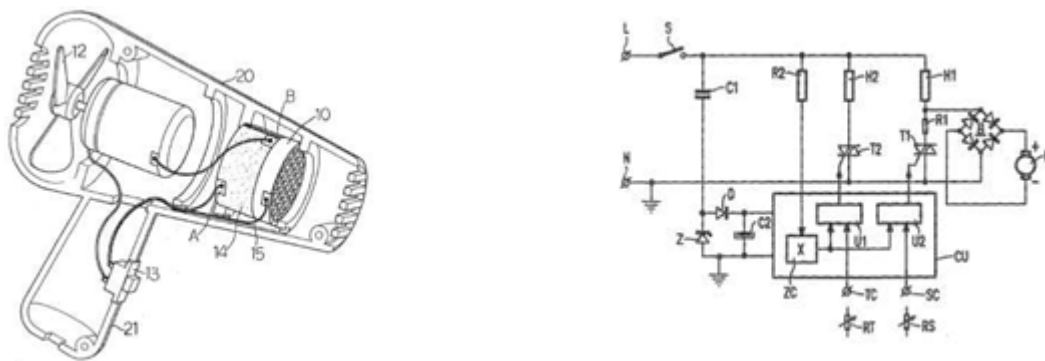
A45D 20/30

Electric circuitry specially adapted for hair drying devices

Definition statement

This place covers:

Illustrative examples of subject matter classified in this group.



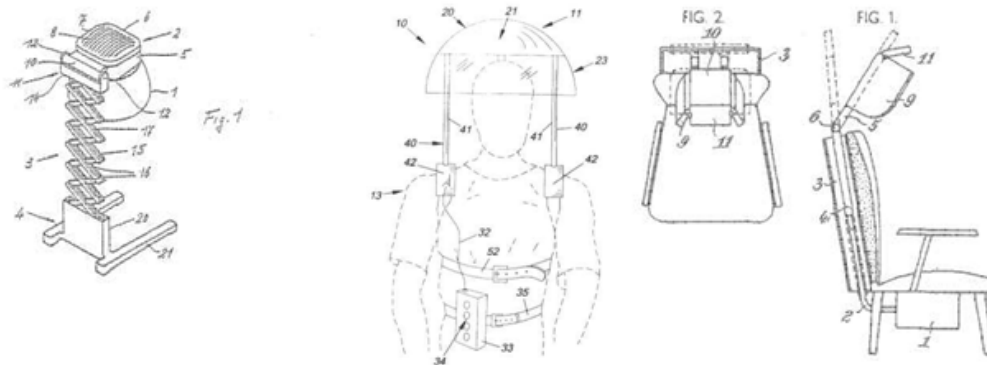
A45D 20/32

Supporting or fastening of the helmets

Definition statement

This place covers:

Illustrative examples of subject matter classified in this group.



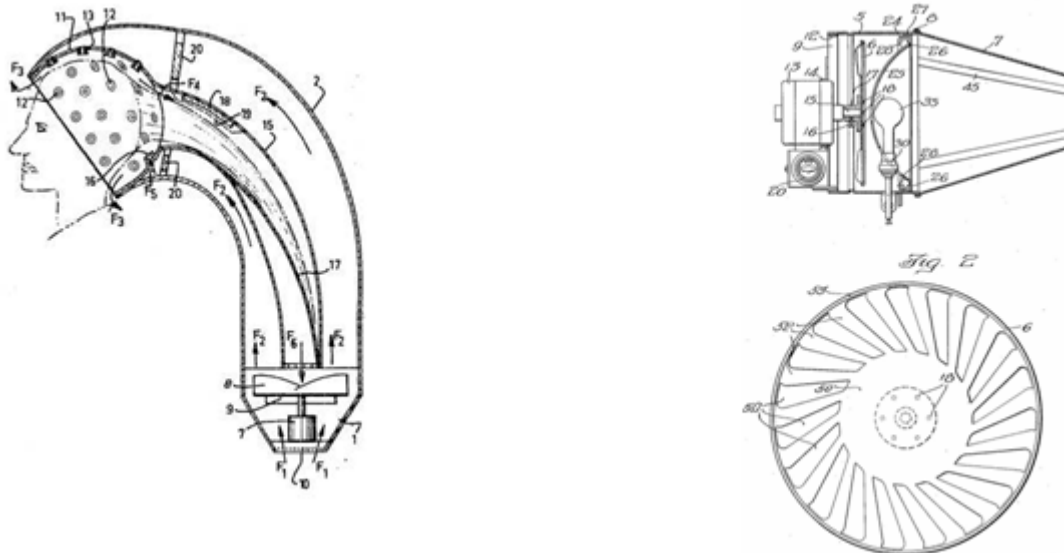
A45D 20/34

Arrangements of the ventilating means

Definition statement

This place covers:

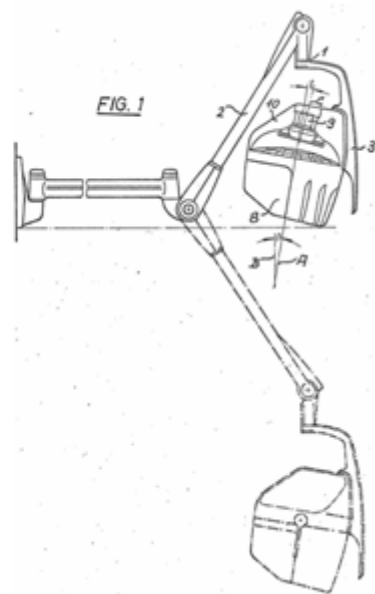
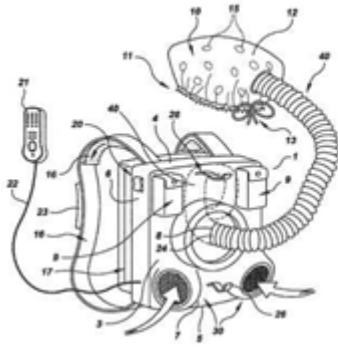
Illustrative examples of subject matter classified in this group.



A45D 20/36**Suspension of the motor****Definition statement**

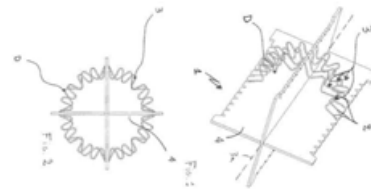
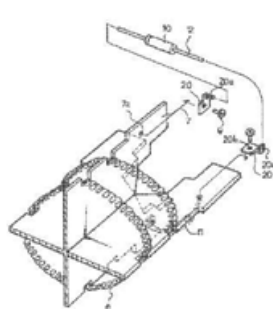
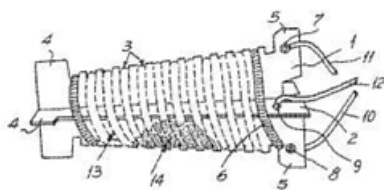
This place covers:

Illustrative examples of subject matter classified in this group.

**A45D 20/38****Arrangement of the electric heating means****Definition statement**

This place covers:

Illustrative examples of subject matter classified in this group.

**References****Limiting references**

This place does not cover:

Electric heating elements per se	H05B
----------------------------------	----------------------

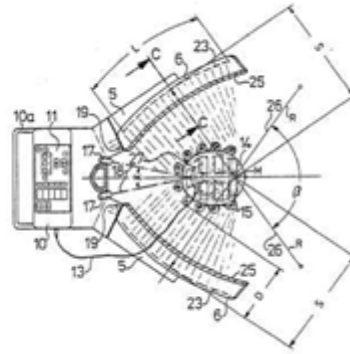
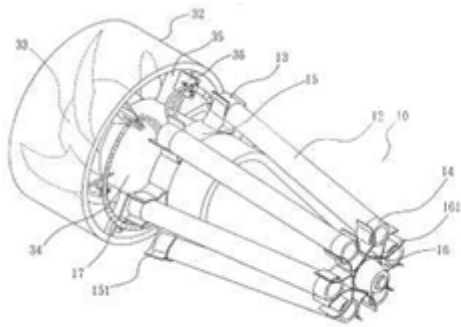
A45D 20/40

for use of infrared rays

Definition statement

This place covers:

Illustrative examples of subject matter classified in this group.



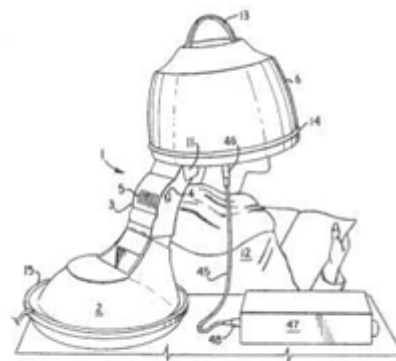
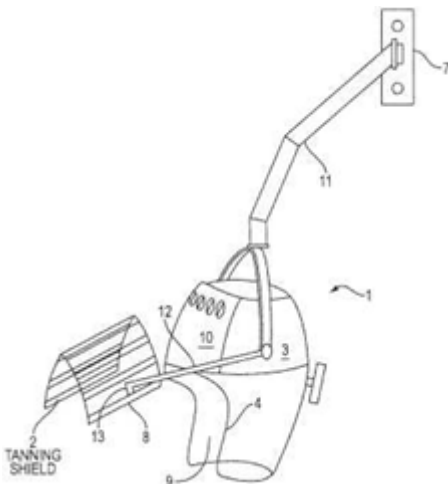
A45D 20/42

Additional devices or measures, e.g. for noise damping, for musical entertainment

Definition statement

This place covers:

Illustrative examples of subject matter classified in this group.



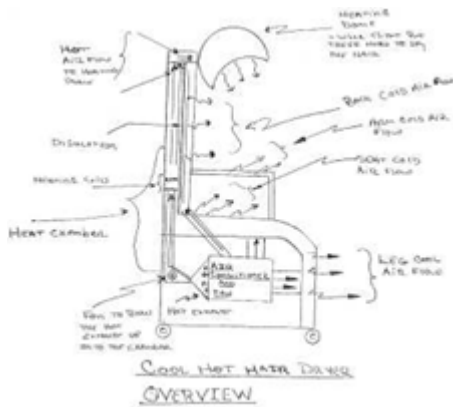
A45D 20/44

Hair-drying helmets whereon the ventilating means and the heating means are apart from the helmet

Definition statement

This place covers:

Illustrative examples of subject matter classified in this group.



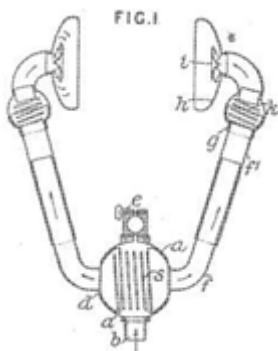
A45D 20/46

provided with tubes for exhausting the hot air

Definition statement

This place covers:

Illustrative example of subject matter classified in this group.



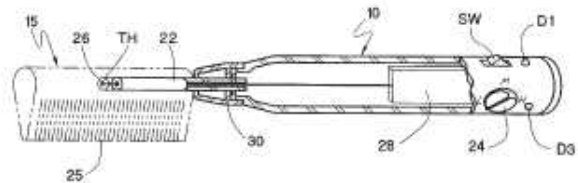
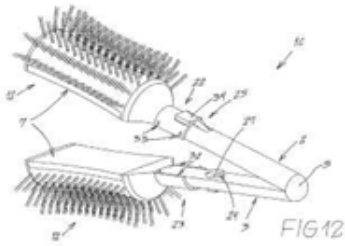
A45D 20/48

Hair-drying combs or hair-drying brushes, with internal heating means

Definition statement

This place covers:

Illustrative examples of subject matter classified in this group.



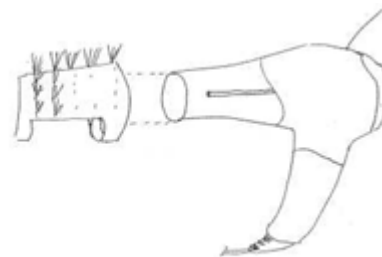
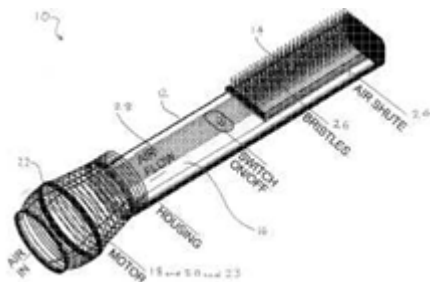
A45D 20/50

and provision for an air stream

Definition statement

This place covers:

Illustrative examples of subject matter classified in this group.



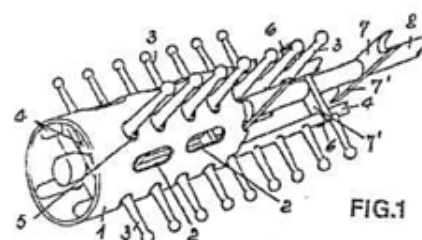
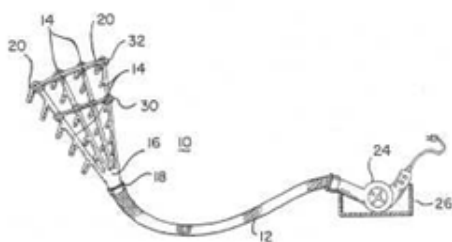
A45D 20/52

Hair-drying combs or hair-drying brushes, adapted for heating by an external heating source {, e.g. air stream}

Definition statement

This place covers:

Illustrative examples of subject matter classified in this group.



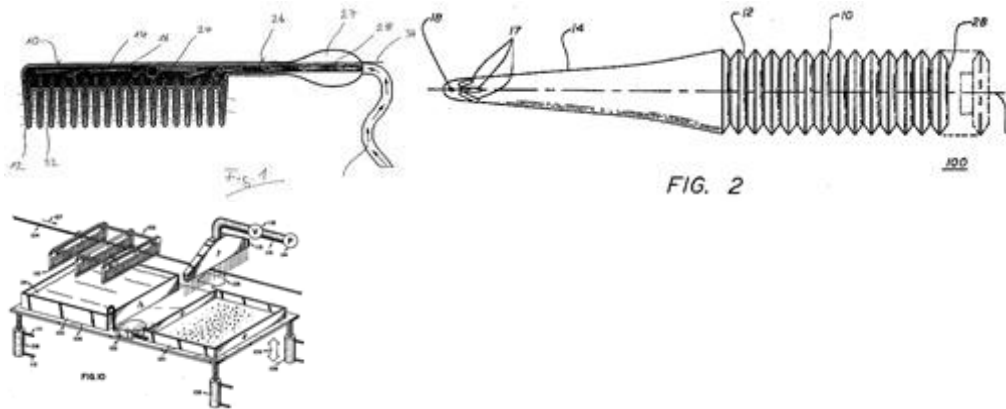
A45D 24/00

Hair combs for care of the hair; Accessories therefor (high combs or dress combs [A45D 8/12](#); hair-drying combs [A45D 20/48](#) - [A45D 20/52](#); hair-trimming devices, using a razor blade, integral or combined with combs [B26B 21/00](#), e.g. [B26B 21/12](#))

Definition statement

This place covers:

Illustrative examples of subject matter classified in this group.



References

Limiting references

This place does not cover:

High combs or dress combs	A45D 8/12
Hair-drying combs	A45D 20/48 - A45D 20/52
Hair-trimming devices, using a razor blade, integral or combined with combs	B26B 21/00 , B26B 21/12

Informative references

Attention is drawn to the following places, which may be of interest for search:

Combs for grooming animals	A01K 13/002
Brushes	A46B

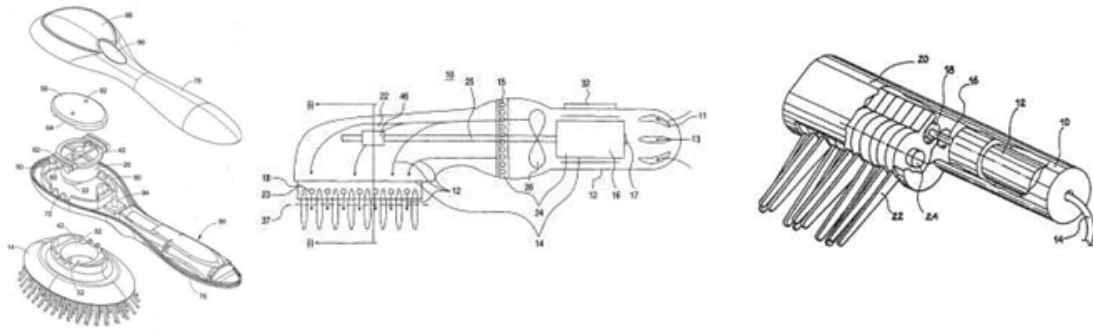
A45D 24/007

{power-driven}

Definition statement

This place covers:

Illustrative examples of subject matter classified in this group.



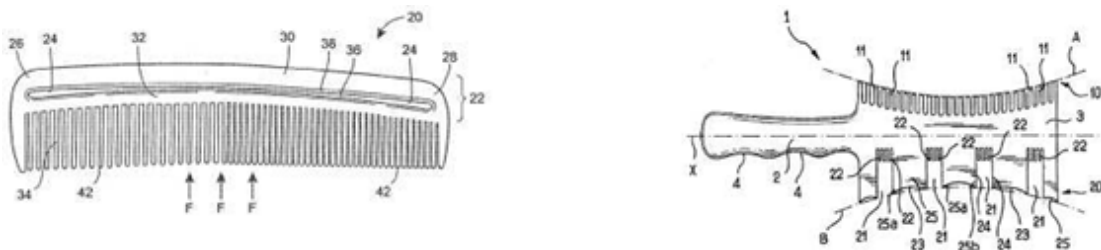
A45D 24/02

Single-piece combs

Definition statement

This place covers:

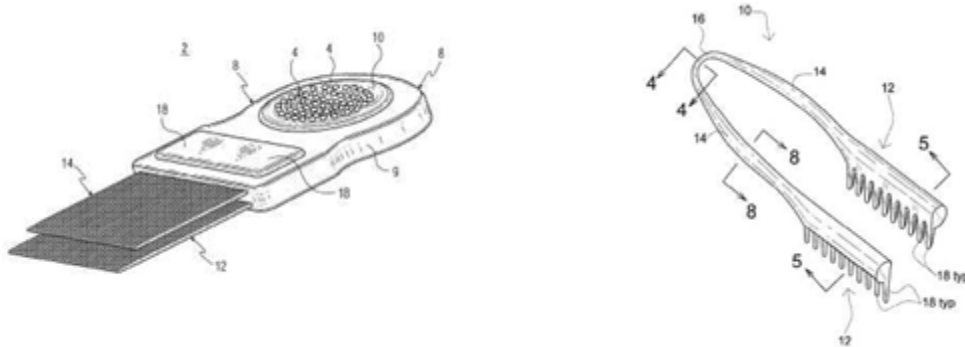
Illustrative examples of subject matter classified in this group.



A45D 24/04**Multi-part combs****Definition statement**

This place covers:

Illustrative examples of subject matter classified in this group.

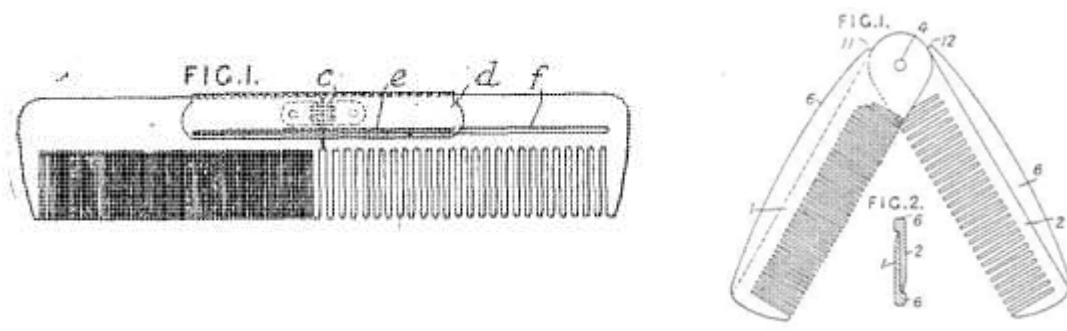
**A45D 24/06**

the combs being foldable ([A45D 24/08](#) takes precedence)

Definition statement

This place covers:

Illustrative examples of subject matter classified in this group.

**References****Limiting references**

This place does not cover:

With protective sheath	A45D 24/08
------------------------	----------------------------

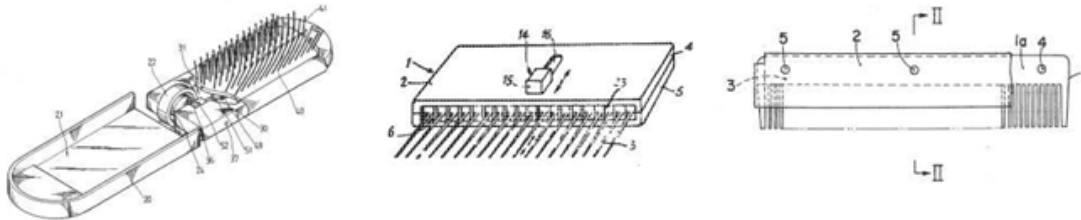
A45D 24/08

with protective sheath

Definition statement

This place covers:

Illustrative examples of subject matter classified in this group.



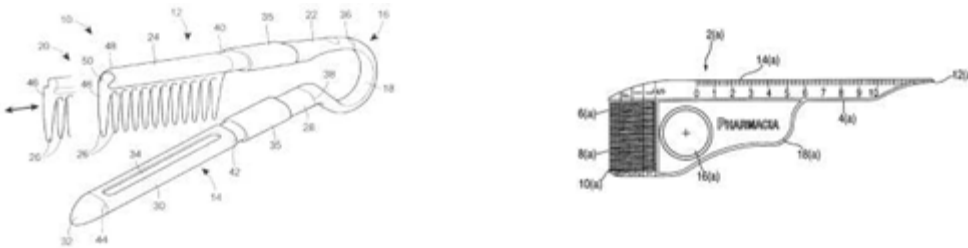
A45D 24/10

combined with additional devices

Definition statement

This place covers:

Illustrative examples of subject matter classified in this group.



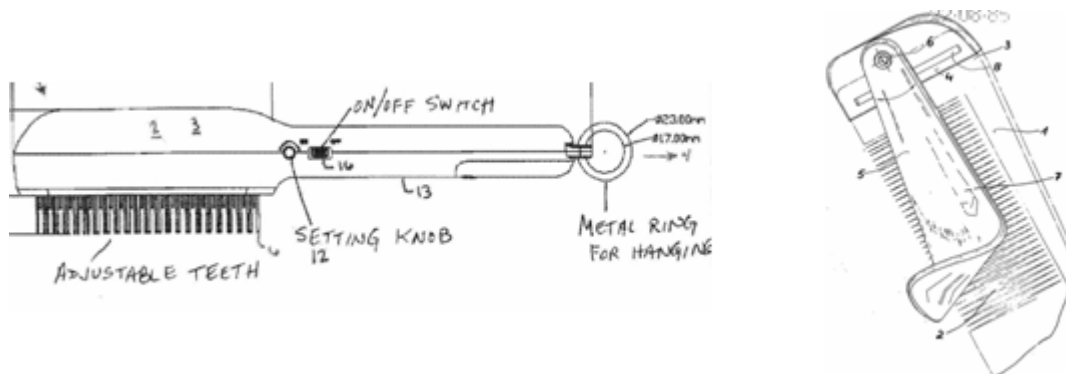
A45D 24/12

with suspending means

Definition statement

This place covers:

Illustrative examples of subject matter classified in this group.



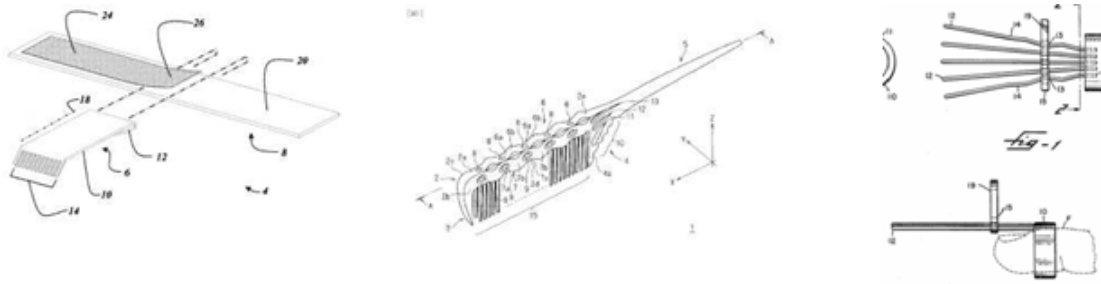
A45D 24/14

with handle designed to be attached to the hand of the user

Definition statement

This place covers:

Illustrative examples of subject matter classified in this group.



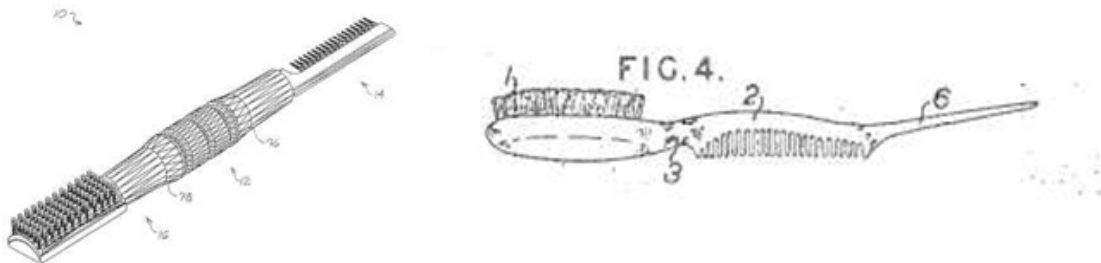
A45D 24/16

with brushes, pads, or the like whereon the additional devices are operable without more ado

Definition statement

This place covers:

Illustrative examples of subject matter classified in this group.



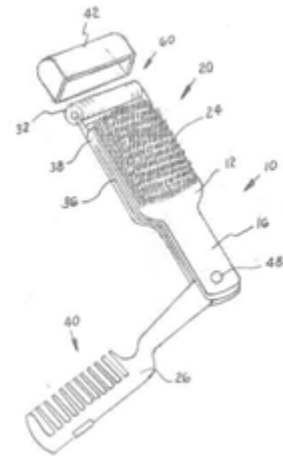
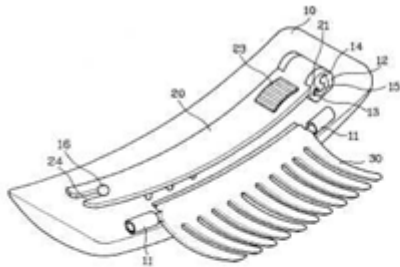
A45D 24/18

the additional devices being only operable when the comb-part is in a non-operable position

Definition statement

This place covers:

Illustrative examples of subject matter classified in this group.



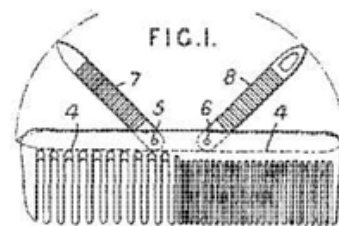
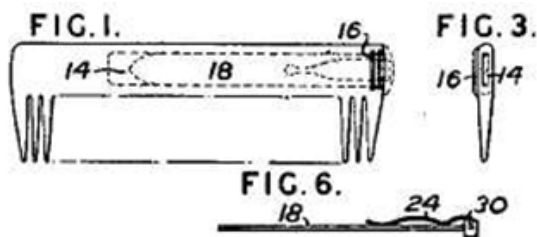
A45D 24/20

the additional devices being nail cleaners or nail files

Definition statement

This place covers:

Illustrative examples of subject matter classified in this group.



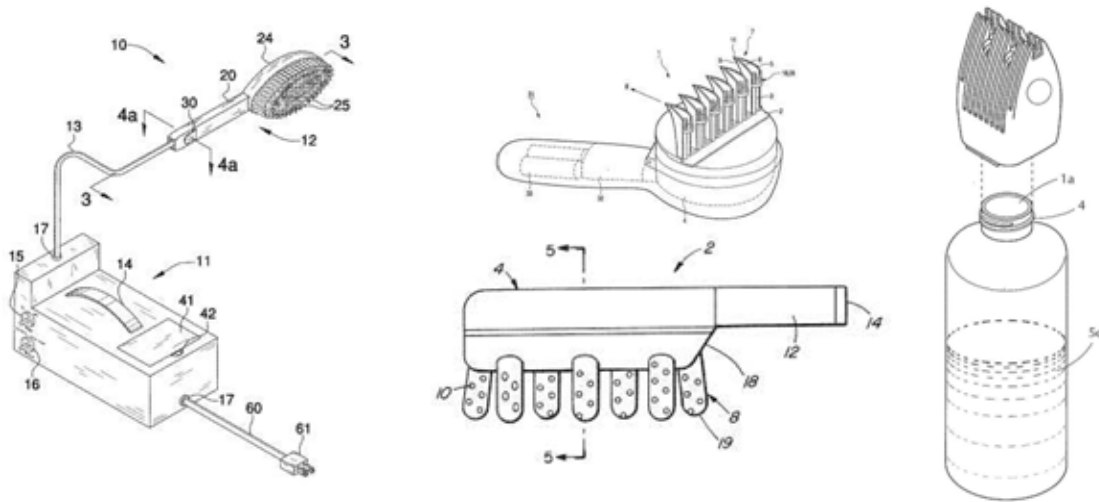
A45D 24/22

Combs with dispensing devices for liquids, pastes or powders

Definition statement

This place covers:

Illustrative examples of subject matter classified in this group.



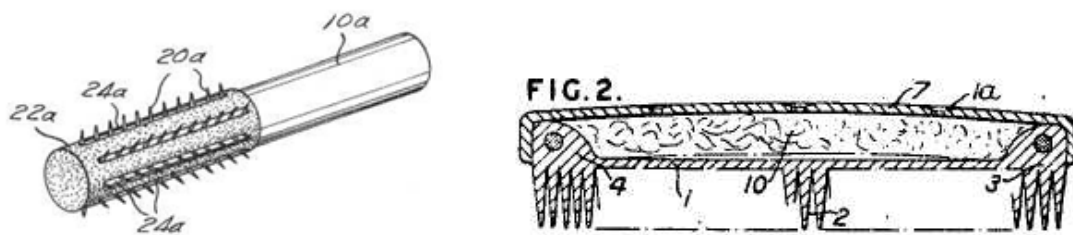
A45D 24/24

with provision for free supply; using wicks

Definition statement

This place covers:

Illustrative examples of subject matter classified in this group.



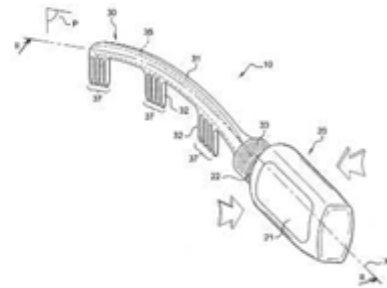
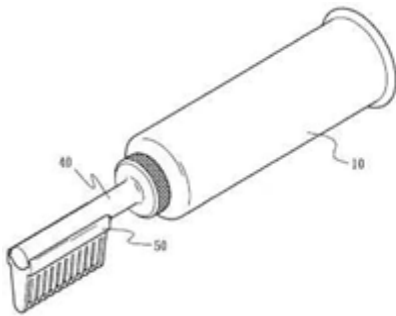
A45D 24/26

with flexible walls of the liquid, paste, or powder storing device

Definition statement

This place covers:

Illustrative examples of subject matter classified in this group.



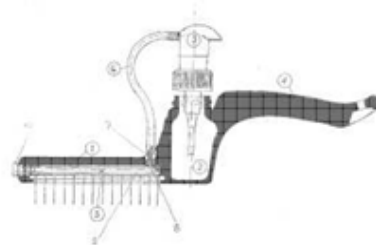
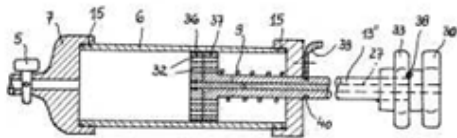
A45D 24/28

with piston pump {or other types of pumps}

Definition statement

This place covers:

Illustrative examples of subject matter classified in this group.



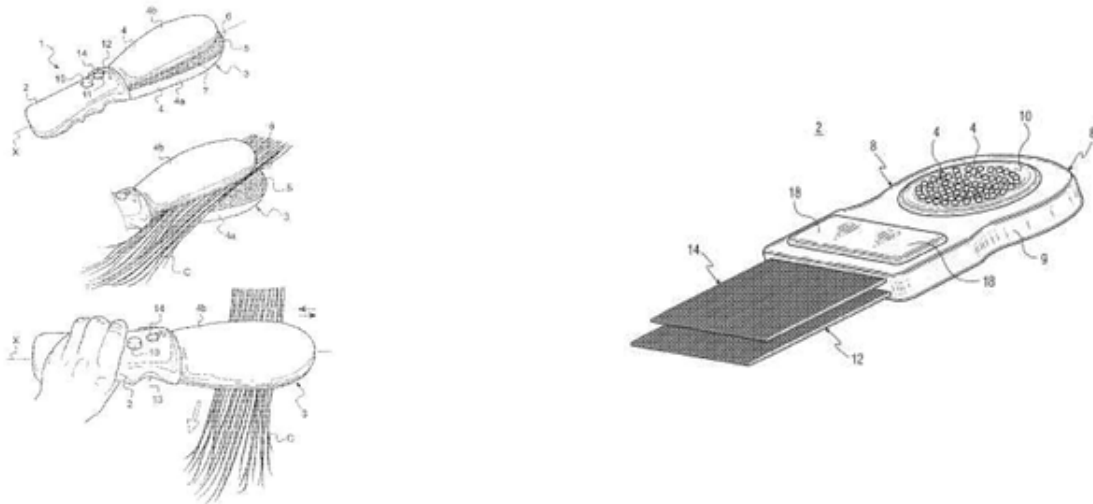
A45D 24/30

Combs specially adapted for removing dirt or grease ([A45D 24/32](#) takes precedence)

Definition statement

This place covers:

Combs designed to remove dirt, grease or lice. Illustrative example:



References

Limiting references

This place does not cover:

With suction appliance	A45D 24/32
------------------------	----------------------------

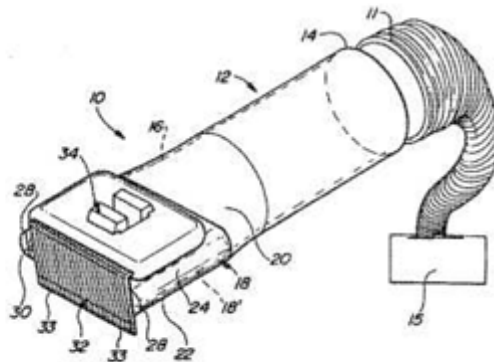
A45D 24/32

Combs with suction appliance

Definition statement

This place covers:

Illustrative examples of subject matter classified in this group.



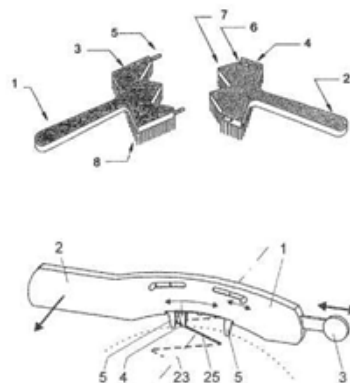
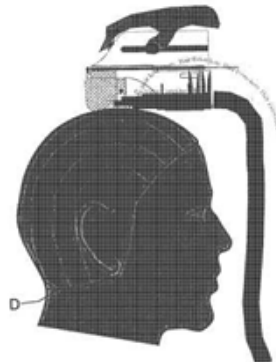
A45D 24/34

Crown parting devices

Definition statement

This place covers:

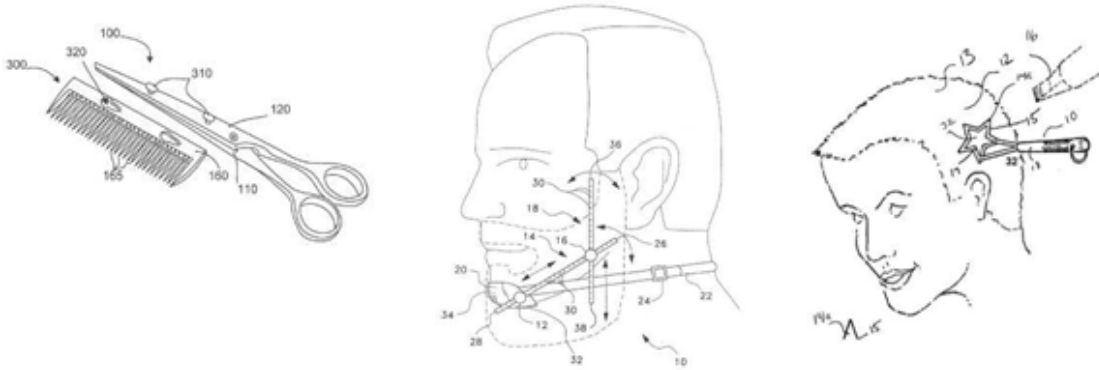
Illustrative examples of subject matter classified in this group.



A45D 24/36**Combs, stencils, or guides, specially adapted for hair trimming devices****Definition statement**

This place covers:

Illustrative examples of subject matter classified in this group.

**References****Limiting references**

This place does not cover:

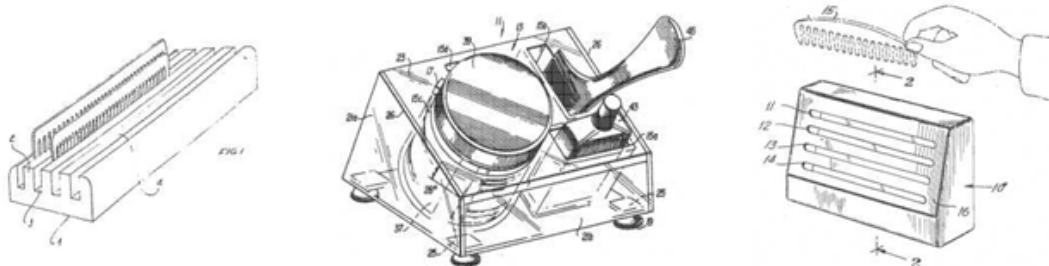
Razor blades attached to ordinary combs

B26B 21/125

A45D 24/38**Comb supports****Definition statement**

This place covers:

Illustrative examples of subject matter classified in this group.



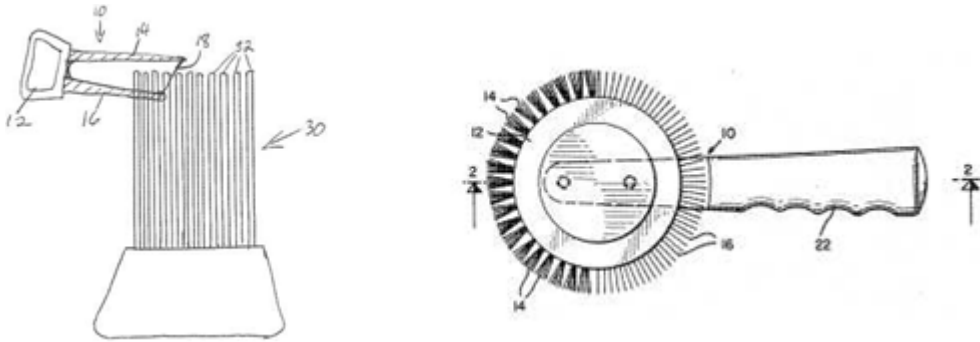
A45D 24/40

{Manually actuated} comb cleaners

Definition statement

This place covers:

Illustrative examples of subject matter classified in this group.



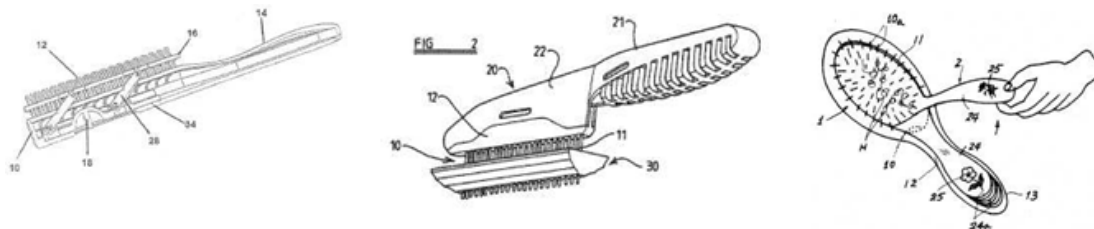
A45D 24/42

detachable from, or fixed to, the comb

Definition statement

This place covers:

Illustrative examples of subject matter classified in this group.



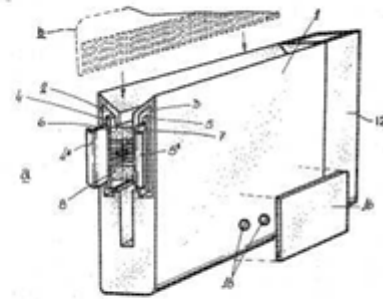
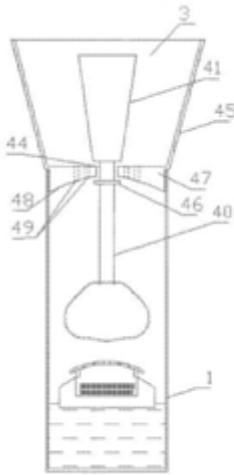
A45D 24/44

as separate apparatus

Definition statement

This place covers:

Illustrative examples of subject matter classified in this group.



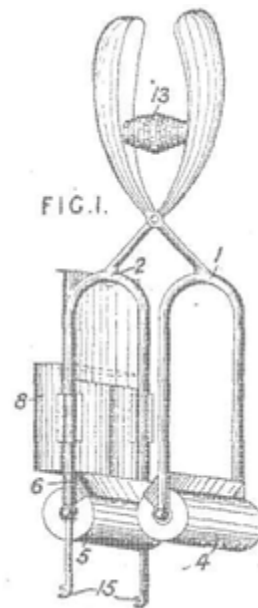
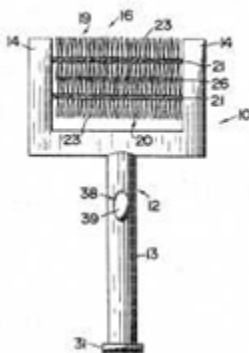
A45D 24/46

with roller brushes

Definition statement

This place covers:

Illustrative examples of subject matter classified in this group.



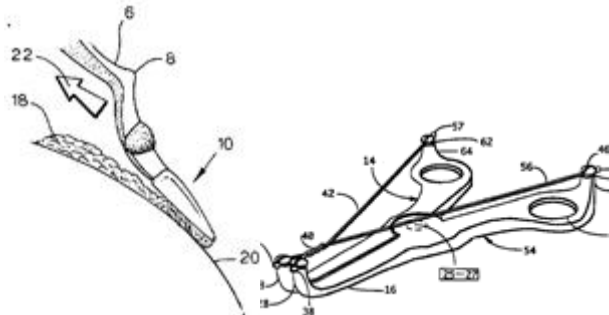
A45D 26/00

Hair-singeing apparatus; Apparatus for removing superfluous hair, e.g. tweezers (removing hair using electrosurgical instruments [A61B 18/04](#), [A61B 18/18](#))

Definition statement

This place covers:

Illustrative examples of subject matter classified in this group.



References

Limiting references

This place does not cover:

Removing hair using electrosurgical instruments	A61B 18/04 , A61B 18/18
---	---

Informative references

Attention is drawn to the following places, which may be of interest for search:

Plucking mechanisms for poultry with discs	A22C 21/028
Preparations for removing hair	A61Q 9/00
Shavers	B26B

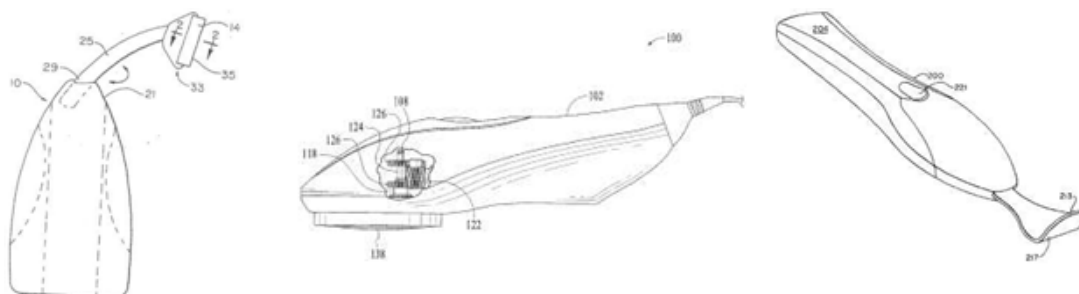
A45D 26/0004

{by abrasion}

Definition statement

This place covers:

Illustrative examples of subject matter classified in this group.



A45D 26/0009**{by singeing}****Definition statement***This place covers:*

Illustrative examples of subject matter classified in this group.

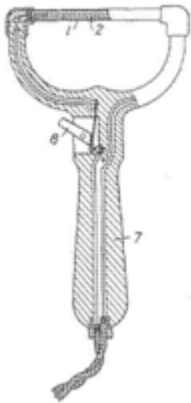
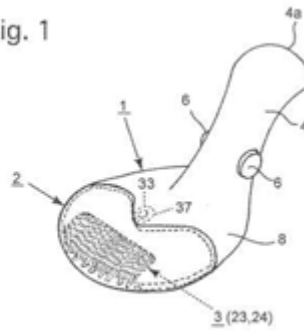
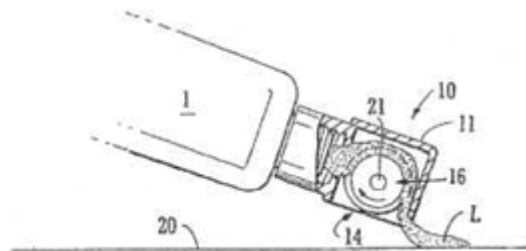
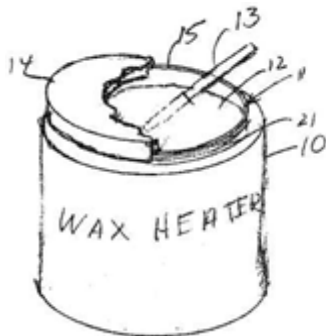


Fig. 1

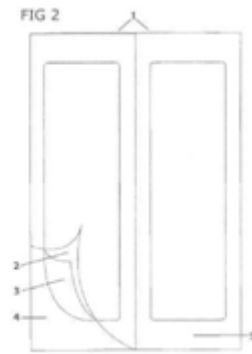
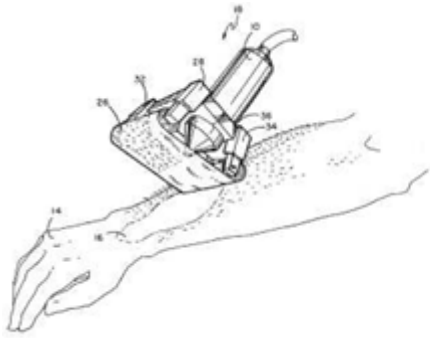
**A45D 26/0014****{using wax}****Definition statement***This place covers:*

Illustrative examples of subject matter classified in this group.

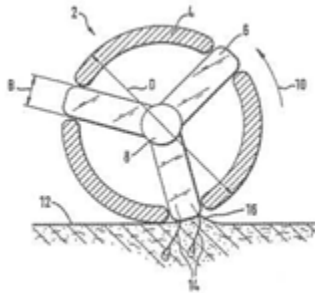


A45D 26/0019**{using an adhesive element}****Definition statement***This place covers:*

Illustrative examples of subject matter classified in this group.

**A45D 26/0023****{with rotating clamping elements ([A45D 26/0042](#) takes precedence)}****Definition statement***This place covers:*

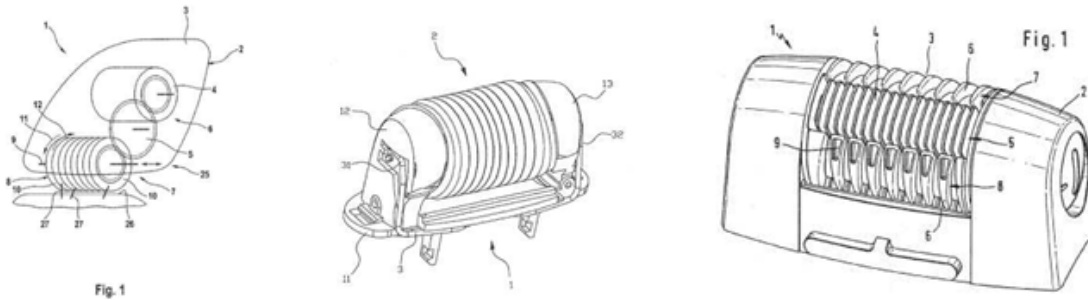
Illustrative example of subject matter classified in this group.

**References****Limiting references***This place does not cover:*

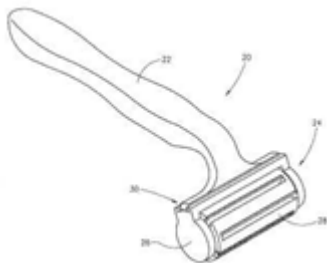
With slits opening and closing during use	A45D 26/0042
---	------------------------------

A45D 26/0028**{with rotating discs or blades}****Definition statement***This place covers:*

Illustrative examples of subject matter classified in this group.

**A45D 26/0033****{with rollers}****Definition statement***This place covers:*

Illustrative example of subject matter classified in this group.



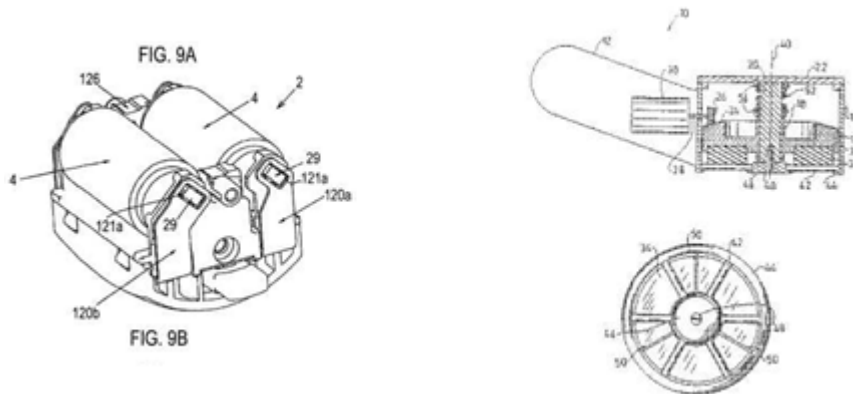
A45D 26/0038

{power-driven}

Definition statement

This place covers:

Illustrative examples of subject matter classified in this group.



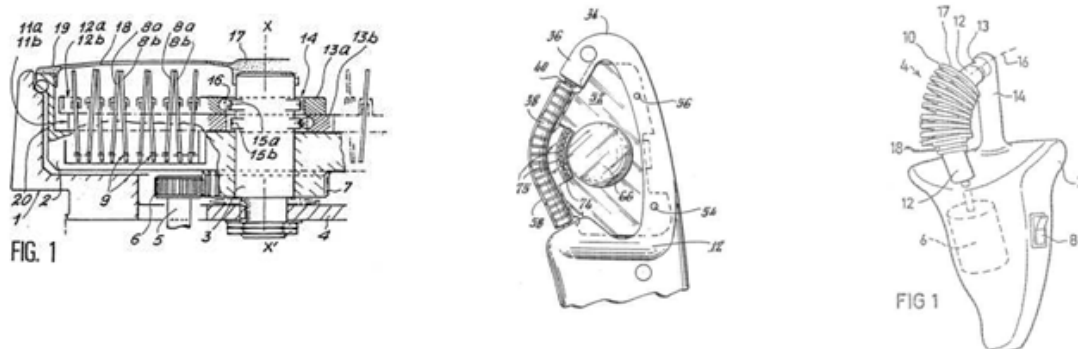
A45D 26/0042

{with flexible members provided with slits opening and closing during use}

Definition statement

This place covers:

Illustrative examples of subject matter classified in this group.



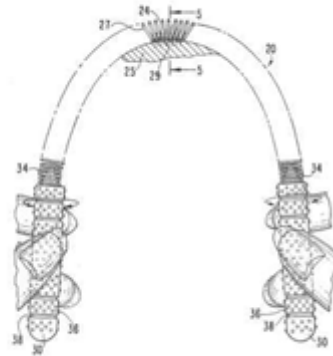
A45D 26/0047

{with a helicoidal spring}

Definition statement

This place covers:

Illustrative examples of subject matter classified in this group.



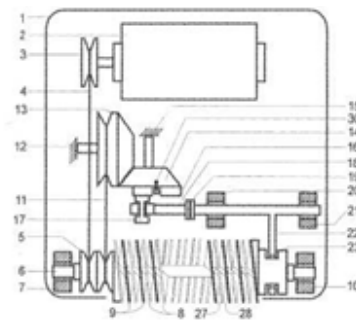
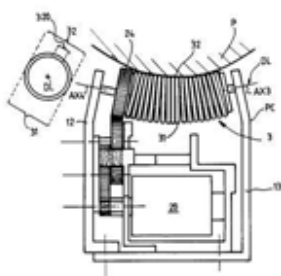
A45D 26/0052

{power-driven}

Definition statement

This place covers:

Illustrative examples of subject matter classified in this group.



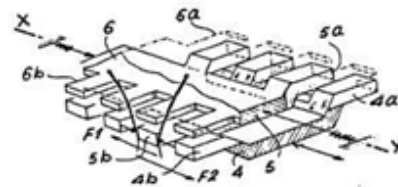
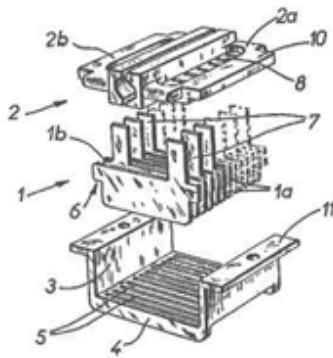
A45D 26/0057

{with multiple elements having a translatory movement parallel to the skin}

Definition statement

This place covers:

Illustrative examples of subject matter classified in this group.



A45D 26/0061

{with means for reducing pain during hair removal}

Definition statement

This place covers:

Illustrative examples of subject matter classified in this group.

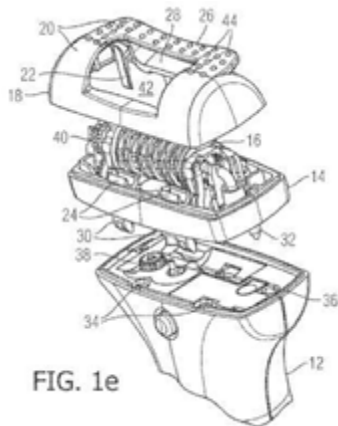
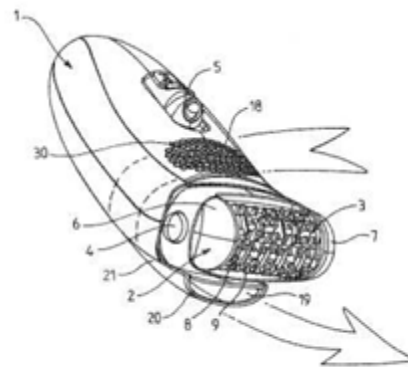
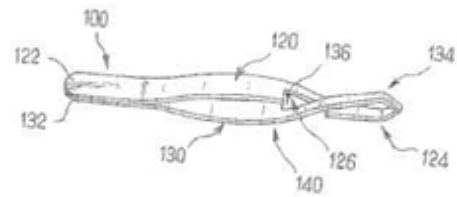
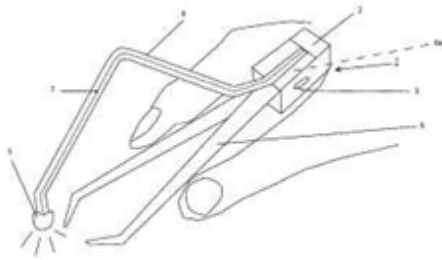


FIG. 1e

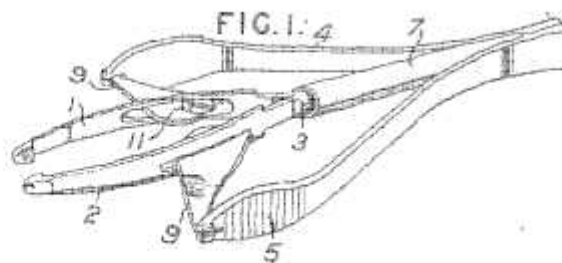
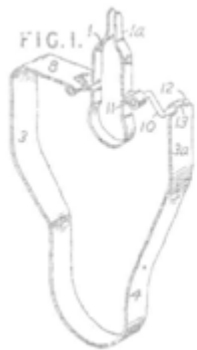


A45D 26/0066**{Tweezers}****Definition statement***This place covers:*

Illustrative examples of subject matter classified in this group.

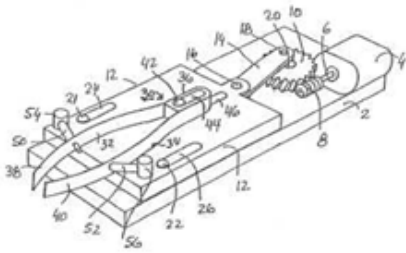
**A45D 26/0071****{the hair being extracted automatically, i.e. without manual traction by the user}****Definition statement***This place covers:*

Illustrative examples of subject matter classified in this group.

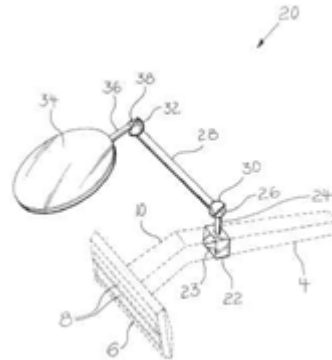
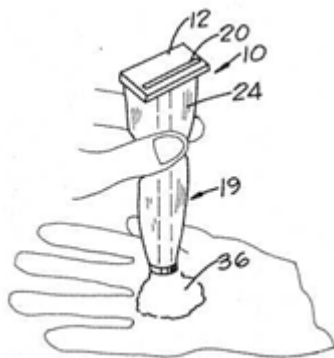


A45D 26/0076**{power-driven}****Definition statement***This place covers:*

Illustrative examples of subject matter classified in this group.

**A45D 27/00****Shaving accessories (containers for handling shaving soap [A45D 40/00](#); shaving mirrors [A45D 42/08](#))****Definition statement***This place covers:*

Illustrative examples of subject matter classified in this group.

**References****Limiting references***This place does not cover:*

Containers for handling shaving soap	A45D 40/00
Shaving mirrors	A45D 42/08
Cabinets for shaving tackle	A47B 67/02
Resharpener razor blades	B24

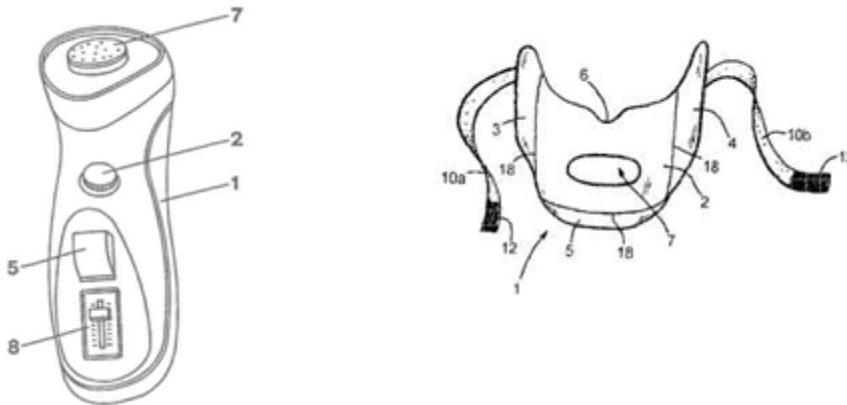
A45D 27/003

{Devices for softening beards, e.g. face steamers (shaving masks [A45D 27/42](#))}

Definition statement

This place covers:

Illustrative examples of subject matter classified in this group.

**References****Limiting references**

This place does not cover:

Shaving masks	A45D 27/42
---------------	----------------------------

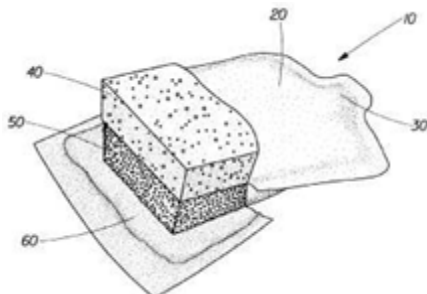
A45D 27/02

Lathering the body; Producing lather (shaving-brushes [A46B](#))

Definition statement

This place covers:

Illustrative example of subject matter classified in this group.

**References****Limiting references**

This place does not cover:

Shaving-brushes	A46B
-----------------	----------------------

Informative references

Attention is drawn to the following places, which may be of interest for search:

Dry shavers	B26B 19/00
-------------	----------------------------

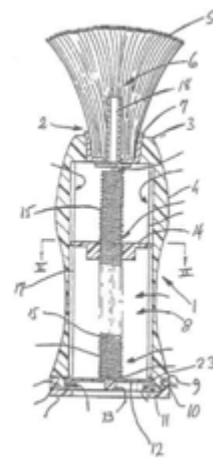
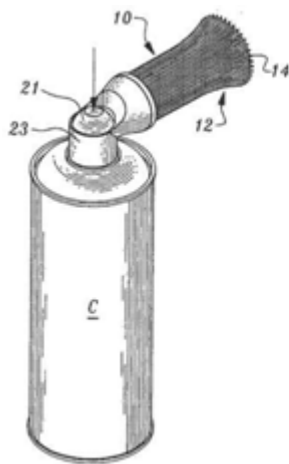
A45D 27/04

Hand implements for lathering, e.g. using brush

Definition statement

This place covers:

Illustrative examples of subject matter classified in this group.

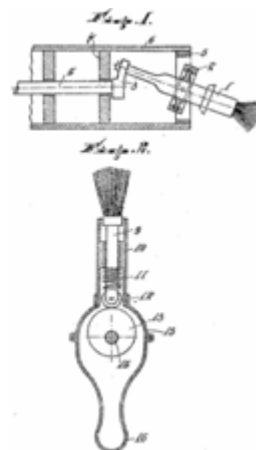
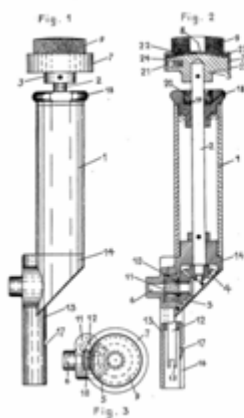
**A45D 27/06**

Motor-driven devices for lathering

Definition statement

This place covers:

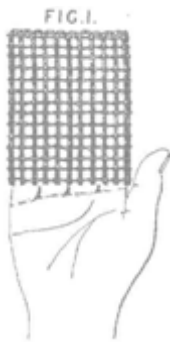
Illustrative examples of subject matter classified in this group.



A45D 27/08**Gloves or cloths for lathering****Definition statement**

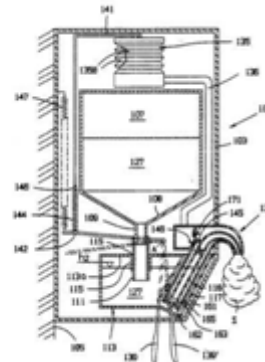
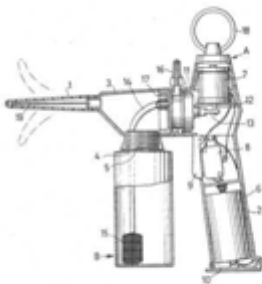
This place covers:

Illustrative example of subject matter classified in this group.

**A45D 27/10****Lather-producing devices operated by compressed air or by swirling water
{(pressurised or aerosol containers [B65D 83/14](#))}****Definition statement**

This place covers:

Illustrative examples of subject matter classified in this group.

**References****Limiting references**

This place does not cover:

Pressurised or aerosol containers	B65D 83/14
-----------------------------------	----------------------------

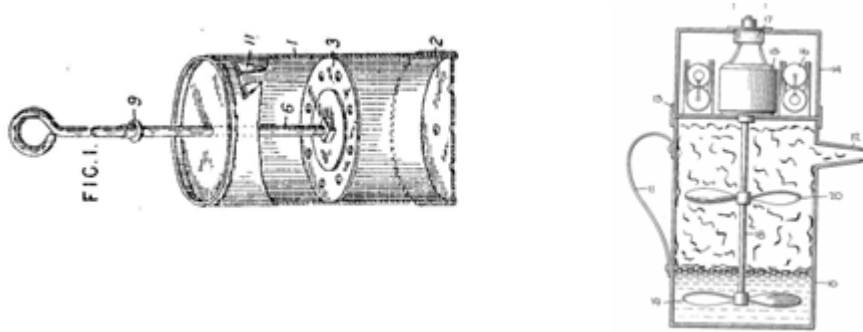
A45D 27/12

Lather-producing devices having stirring means ([A45D 27/10](#) takes precedence)

Definition statement

This place covers:

Illustrative examples of subject matter classified in this group.

**References****Limiting references**

This place does not cover:

Operated by compressed air or by swirling water	A45D 27/10
---	----------------------------

A45D 27/14

Shaving mugs

Definition statement

This place covers:

Illustrative examples of subject matter classified in this group.



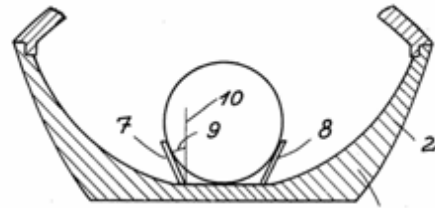
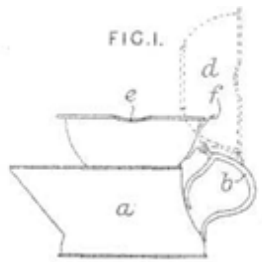
A45D 27/16

with soap holders

Definition statement

This place covers:

Illustrative examples of subject matter classified in this group.



A45D 27/18

with brush supports

Definition statement

This place covers:

Illustrative example of subject matter classified in this group.



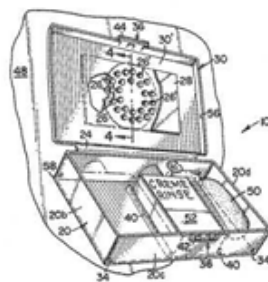
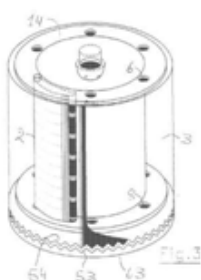
A45D 27/22

Containers or carriers for storing shaving appliances

Definition statement

This place covers:

Illustrative examples of subject matter classified in this group.



References

Limiting references

This place does not cover:

Cabinets for shaving tackle	A47B 67/02
Containers in general	B65D

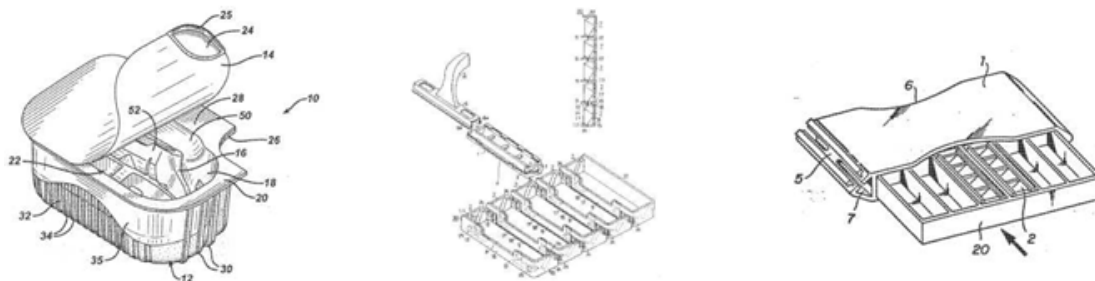
A45D 27/225

{for storing razor blade cartridges, e.g. after use}

Definition statement

This place covers:

Illustrative examples of subject matter classified in this group.



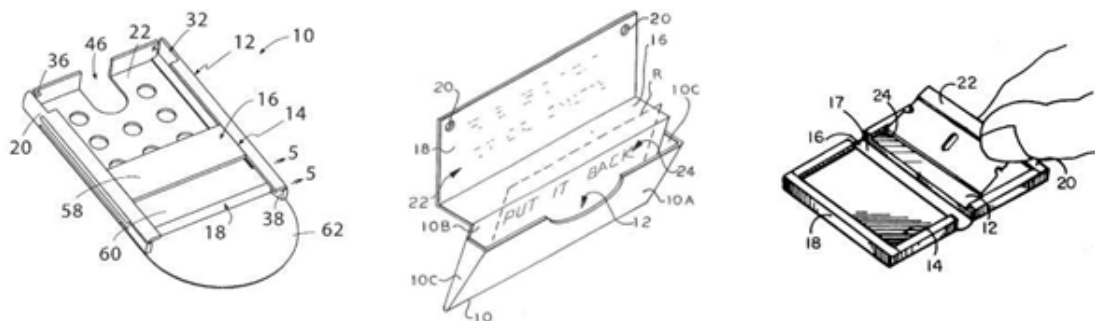
A45D 27/24

for storing {thin flat} razor blades, e.g. after use (devices for collecting used scalpel blades [A61B 17/3217](#); devices for dispensing new razor-blades [B65D 83/10](#))

Definition statement

This place covers:

Illustrative examples of subject matter classified in this group.



References

Limiting references

This place does not cover:

Devices for collecting used scalpel blades	A61B 17/3217
--	------------------------------

Packaging containers	B65D
For dispensing razor-blades	B65D 83/10

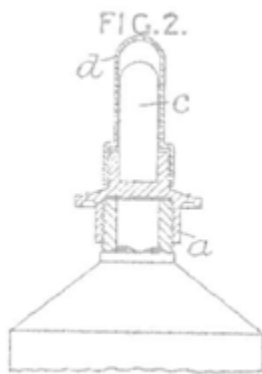
A45D 27/26

for styptic pencils, styptic cotton-wool or the like

Definition statement

This place covers:

Illustrative example of subject matter classified in this group.



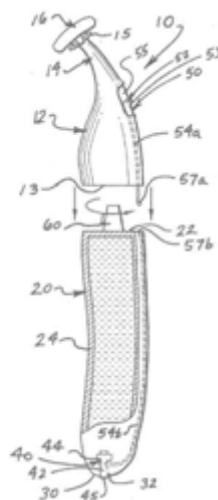
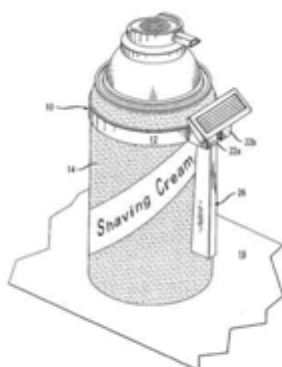
A45D 27/28

for storing one shaving appliance within another (means integral with, or attached to, the razor for storing shaving cream, styptic, or the like [B26B 21/44](#))

Definition statement

This place covers:

Illustrative examples of subject matter classified in this group.



References

Limiting references

This place does not cover:

Means integral with, or attached to, the razor for storing shaving cream, styptic, or the like	B26B 21/44
--	----------------------------

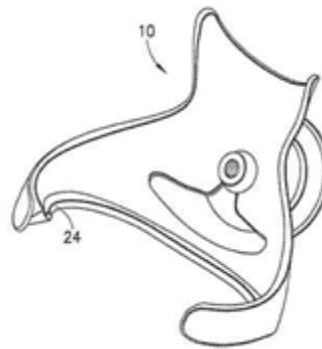
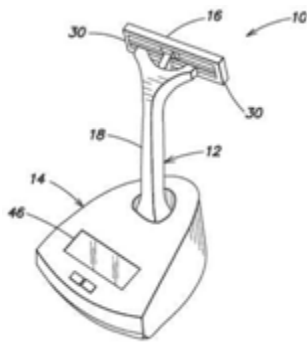
A45D 27/29

Stands for shavers or razors ([A45D 27/46](#) takes precedence)

Definition statement

This place covers:

Illustrative examples of subject matter classified in this group.



References

Limiting references

This place does not cover:

For cleaning or disinfecting shavers or razors	A45D 27/46
--	----------------------------

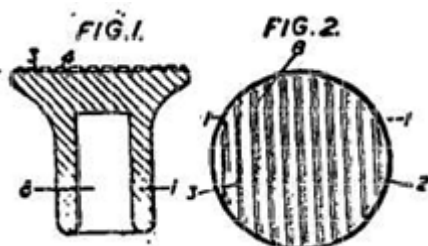
A45D 27/38

Skin stretchers for shaving

Definition statement

This place covers:

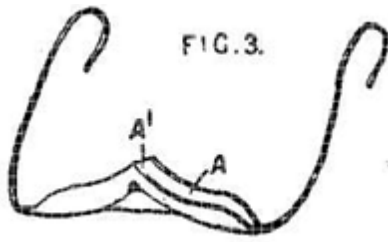
Illustrative example of subject matter classified in this group.



A45D 27/40**Breath deflectors****Definition statement**

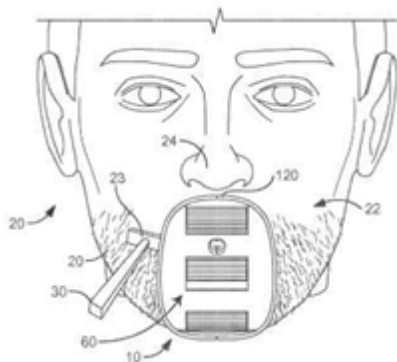
This place covers:

Illustrative example of subject matter classified in this group.

**A45D 27/42****Shaving masks****Definition statement**

This place covers:

Illustrative example of subject matter classified in this group.

**References****Limiting references**

This place does not cover:

Masks for marking lips or eyelashes	A45D 40/30
Ear, face or lip protectors for other toiletry or cosmetic purposes	A45D 44/12

A45D 27/44

Lather removing devices

Definition statement

This place covers:

Illustrative examples of subject matter classified in this group.



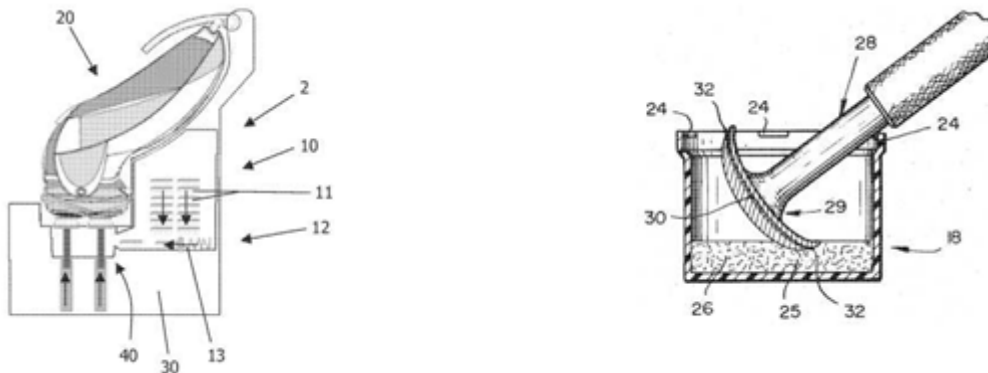
A45D 27/46

Devices specially adapted for cleaning or disinfecting shavers or razors

Definition statement

This place covers:

Illustrative examples of subject matter classified in this group.



References

Informative references

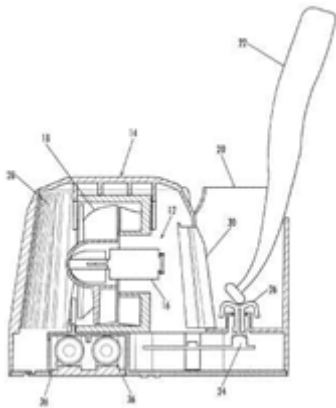
Attention is drawn to the following places, which may be of interest for search:

Disinfecting or sterilising materials or objects	A61L 2/00
Liquid cleaning	B08B 3/00

A45D 27/48**Drying devices therefor****Definition statement**

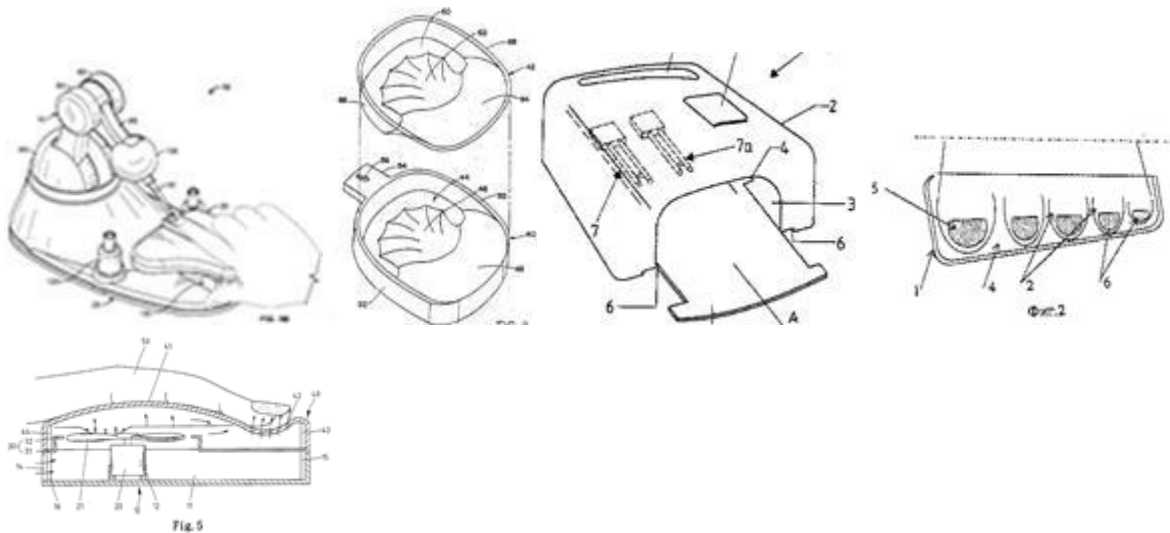
This place covers:

Illustrative example of subject matter classified in this group.

**A45D 29/00****Manicuring or pedicuring implements****Definition statement**

This place covers:

Illustrative examples of subject matter classified in this group.

**References****Limiting references**

This place does not cover:

Chiropodists' instruments	A61B 17/54
Scissors	B26B

A45D 29/001

{Self adhesive nail coating blanks}

Definition statement

This place covers:

Illustrative examples of subject matter classified in this group.



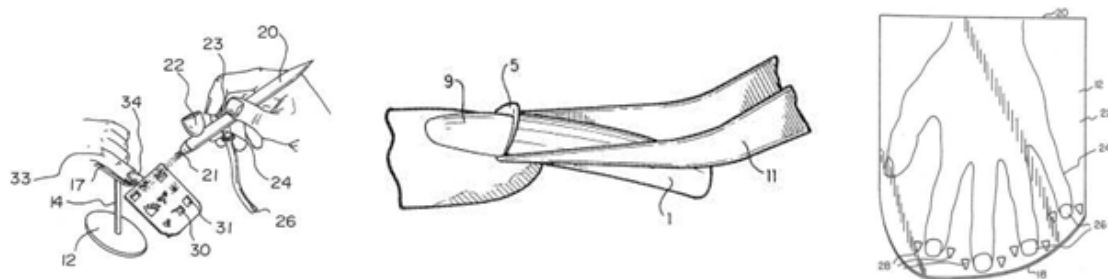
A45D 29/004

{Masking devices for applying polish to the finger nails}

Definition statement

This place covers:

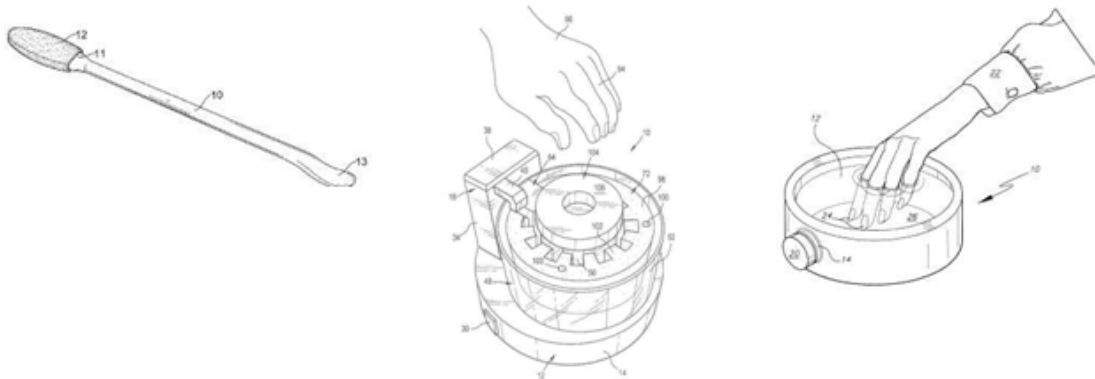
Illustrative examples of subject matter classified in this group.



A45D 29/007**{Nail polish removing devices}****Definition statement**

This place covers:

Illustrative examples of subject matter classified in this group.

**A45D 29/02****Nail clippers or cutters****Definition statement**

This place covers:

Illustrative examples of subject matter classified in this group.

**References****Limiting references**

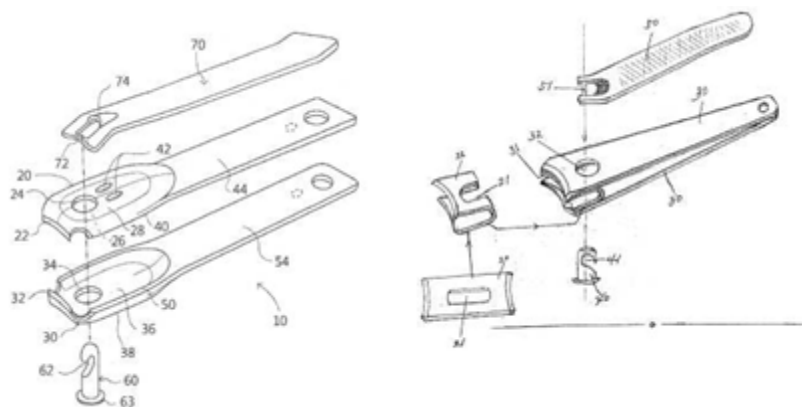
This place does not cover:

Hand cutting tools with two jaws which come into abutting contact

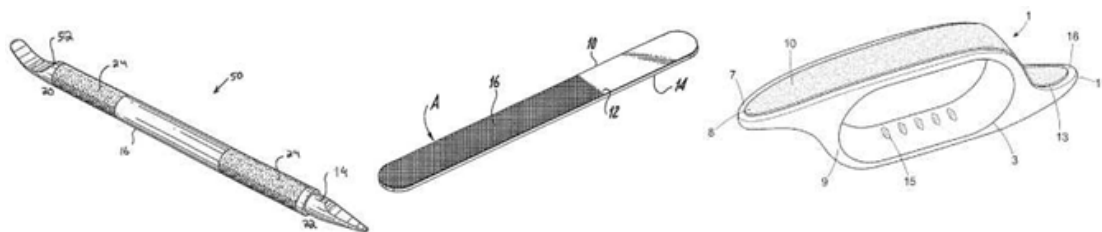
B26B 17/00

A45D 29/023**{with retainers for nail clippings}****Definition statement***This place covers:*

Illustrative examples of subject matter classified in this group.

**A45D 29/04****Nail files, e.g. manually operated****Definition statement***This place covers:*

Illustrative examples of subject matter classified in this group.

**References****Limiting references***This place does not cover:*

Files in general	B23D 71/00
------------------	----------------------------

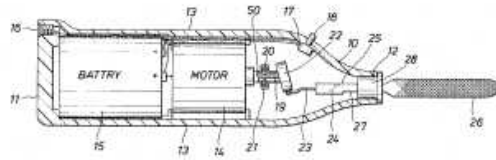
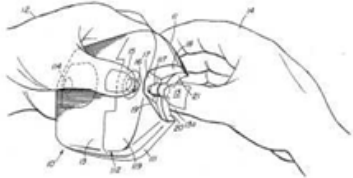
A45D 29/05

motor-driven

Definition statement

This place covers:

Illustrative examples of subject matter classified in this group.



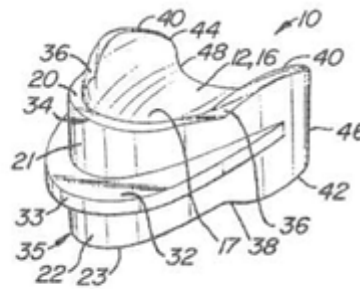
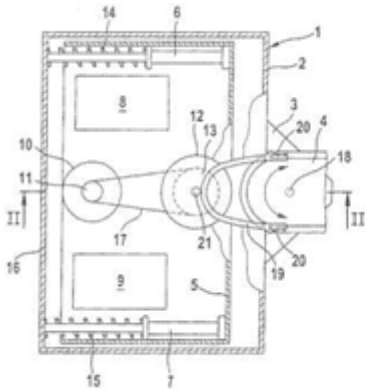
A45D 29/06

Nail-tip shapers

Definition statement

This place covers:

Illustrative examples of subject matter classified in this group.



A45D 29/11

Polishing devices for nails

References

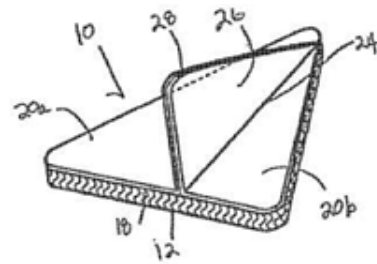
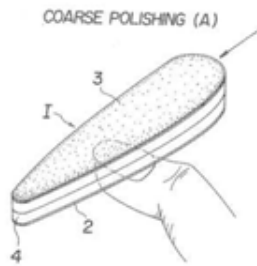
Limiting references

This place does not cover:

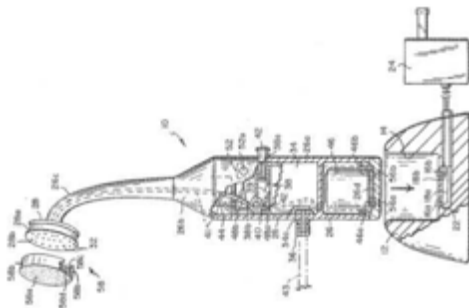
Varnish applicators	A45D 34/04
---------------------	----------------------------

A45D 29/12**manually operated****Definition statement***This place covers:*

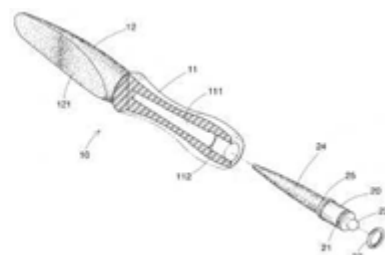
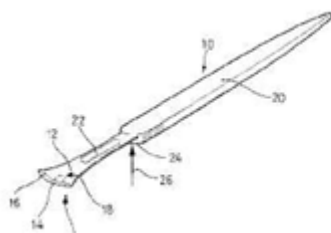
Illustrative examples of subject matter classified in this group.

**A45D 29/14****motor-driven****Definition statement***This place covers:*

Illustrative examples of subject matter classified in this group.

**A45D 29/16****Cuticle sticks****Definition statement***This place covers:*

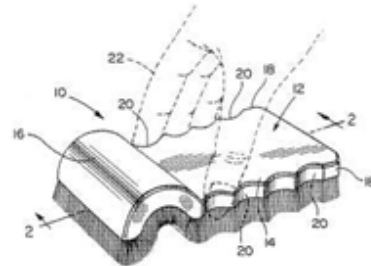
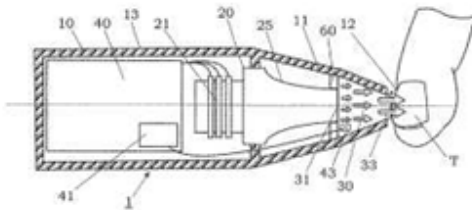
Illustrative examples of subject matter classified in this group.



A45D 29/17**Nail cleaners, e.g. scrapers****Definition statement**

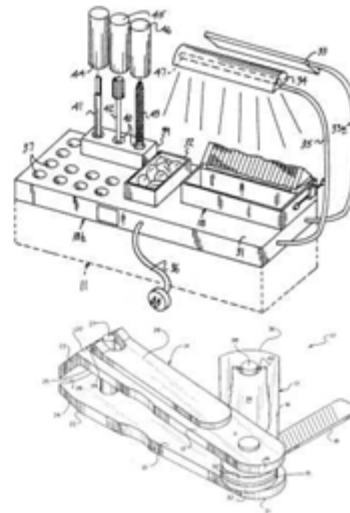
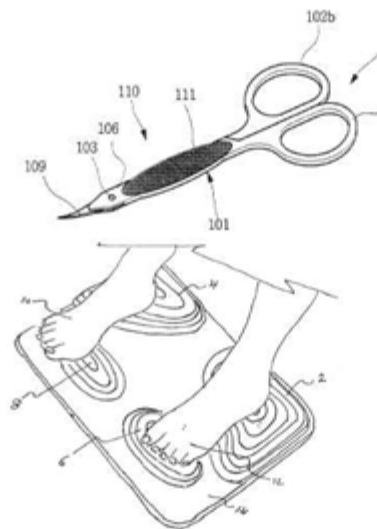
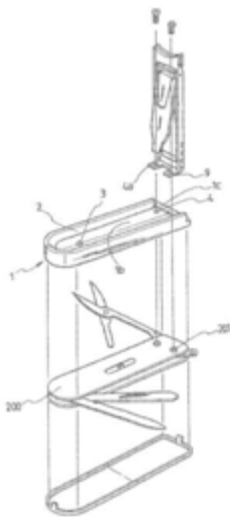
This place covers:

Illustrative examples of subject matter classified in this group.

**A45D 29/18****Manicure or pedicure sets, e.g. combinations without case, etui, or the like (combined with or on sheath of scissors [B26B 13/22](#), [B26B 29/04](#))****Definition statement**

This place covers:

Illustrative examples of subject matter classified in this group.

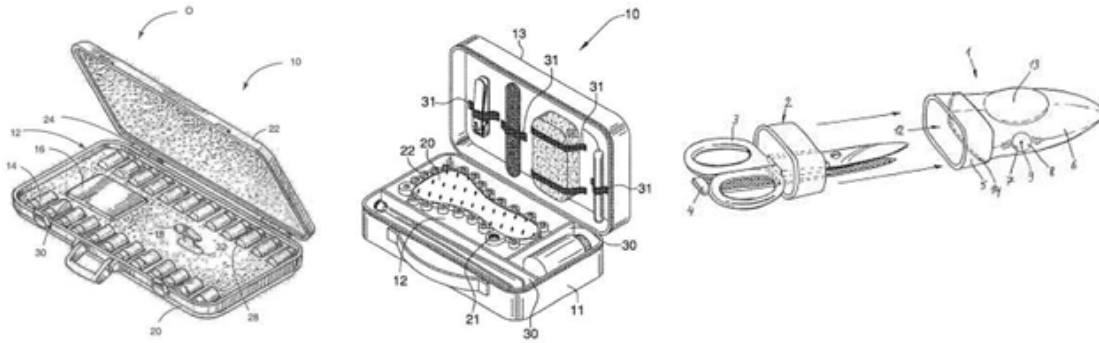
**References****Limiting references**

This place does not cover:

Combined with or on sheath of scissors	B26B 13/22 , B26B 29/04
--	---

A45D 29/20**Boxes, cases, etuis or the like specially adapted therefor****Definition statement***This place covers:*

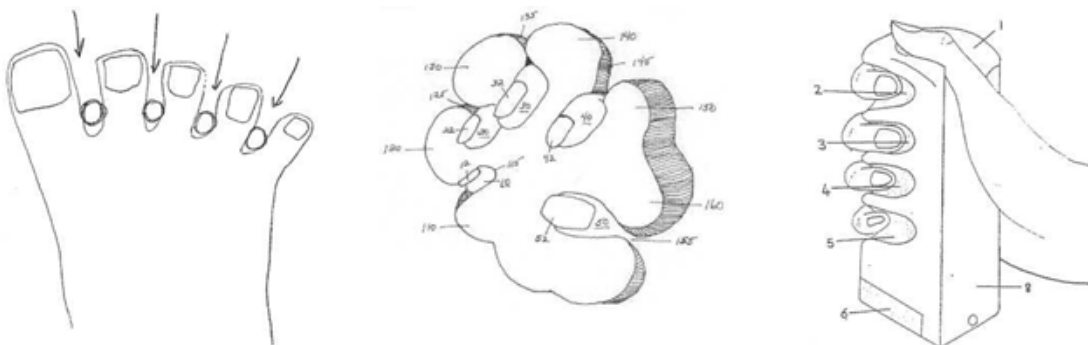
Illustrative examples of subject matter classified in this group.

**References****Limiting references***This place does not cover:*

Receptacles for travelling or like purposes	A45C 11/00
---	----------------------------

A45D 29/22**Finger-supports****Definition statement***This place covers:*

Illustrative examples of subject matter classified in this group.



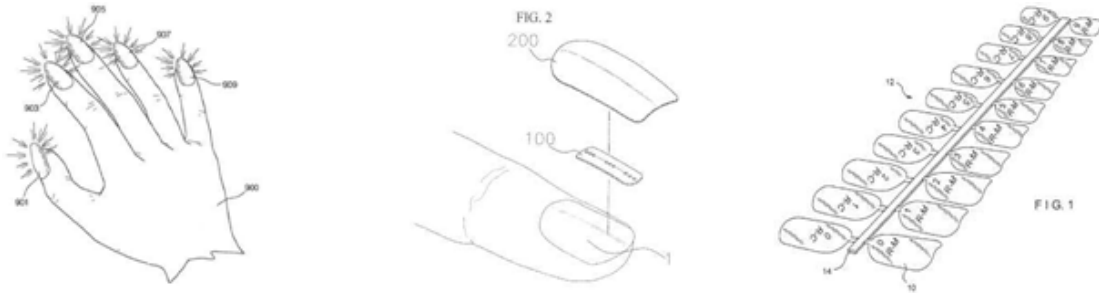
A45D 31/00

Artificial nails

Definition statement

This place covers:

Illustrative examples of subject matter classified in this group.



References

Informative references

Attention is drawn to the following places, which may be of interest for search:

Jewellery adapted to be worn on the nails	A44C 15/008
Injection moulding	B29C 45/00

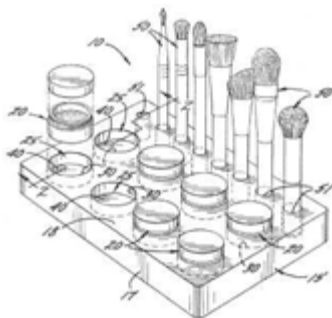
A45D 33/00

Containers or accessories specially adapted for handling powdery toiletry or cosmetic substances

Definition statement

This place covers:

Illustrative examples of subject matter classified in this group.



References

Informative references

Attention is drawn to the following places, which may be of interest for search:

Cosmetic brushes	A46B 9/021
Cosmetic or similar toiletry preparations	A61K 8/00

For applying therapeutic or disinfecting substances	A61M 35/00
Make-up preparations; Body powders	A61Q 1/02
Packaging fluent solid material, e.g. powders	B65B 1/00
Containers for dispensing powdered or granular material	B65D 83/06

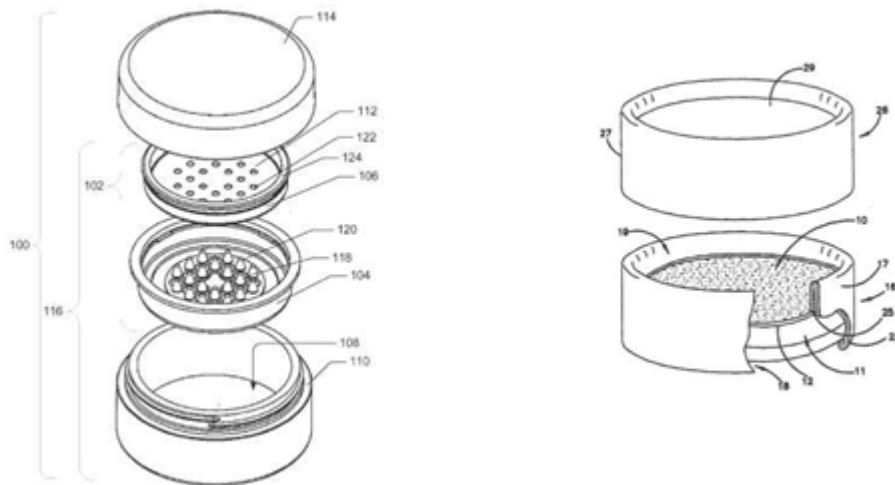
A45D 33/003

{Powder boxes}

Definition statement

This place covers:

Illustrative examples of subject matter classified in this group.



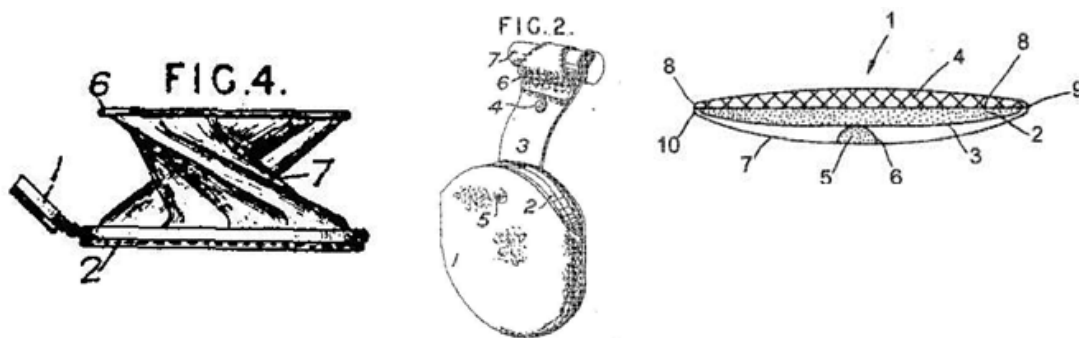
A45D 33/005

{Flexible holders, pouches for powder or powder puffs}

Definition statement

This place covers:

Illustrative examples of subject matter classified in this group.



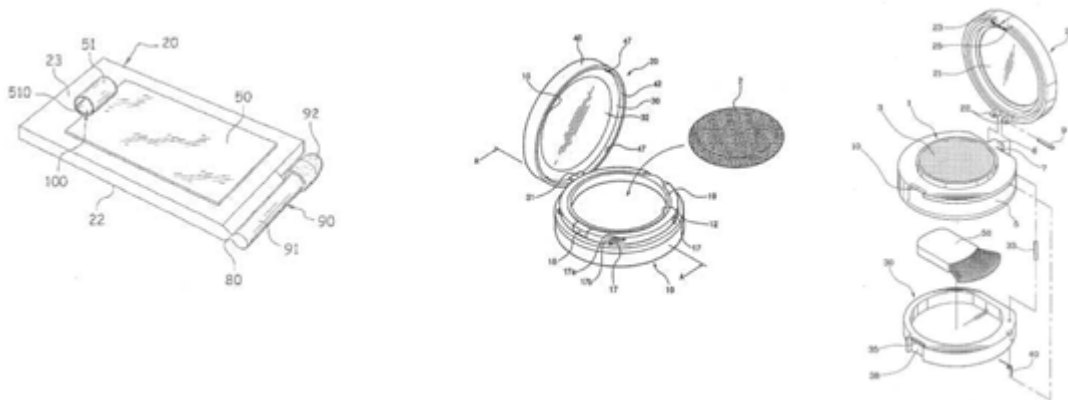
A45D 33/006

{Vanity boxes or cases, compacts, i.e. containing a powder receptacle and a puff or applicator ([A45D 33/025](#) - [A45D 33/34](#) and [A45D 40/22](#) take precedence; toiletry etuis [A45C 11/008](#))}

Definition statement

This place covers:

Illustrative examples of subject matter classified in this group.



References

Limiting references

This place does not cover:

Cosmetic powder cases characterised by their dispensing means, by a special structural configuration or by a hinged cover; Powder puffs	A45D 33/025 - A45D 33/34 , A45D 40/22
Pocket toiletry etuis	A45C 11/008

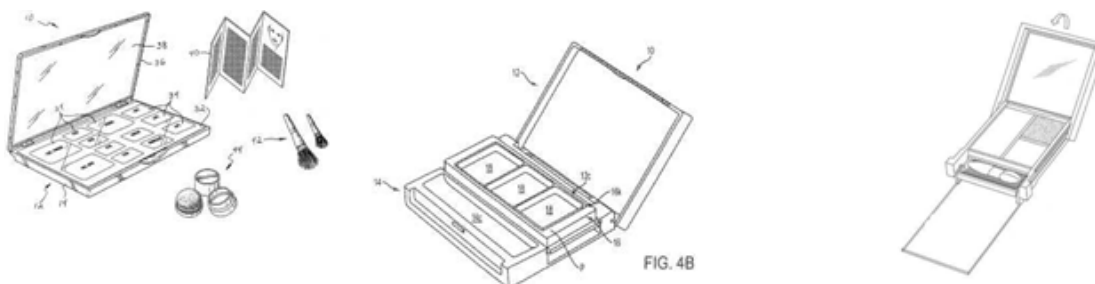
A45D 33/008

{comprising a mirror (hand or pocket mirrors [A45D 42/00](#); handbags or purses with mirrors [A45C 15/04](#))}

Definition statement

This place covers:

Illustrative examples of subject matter classified in this group.



References

Limiting references

This place does not cover:

Hand or pocket mirrors	A45D 42/00
Handbags or purses with mirrors	A45C 15/04

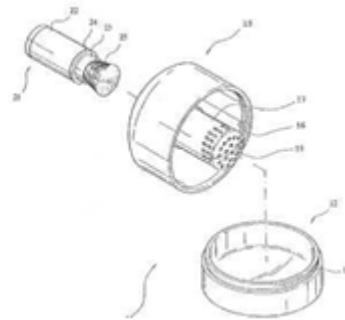
A45D 33/02

with dispensing means, e.g. sprinkling means

Definition statement

This place covers:

Illustrative examples of subject matter classified in this group.



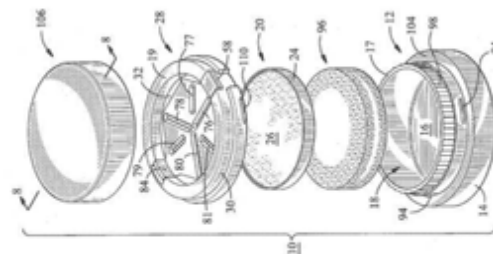
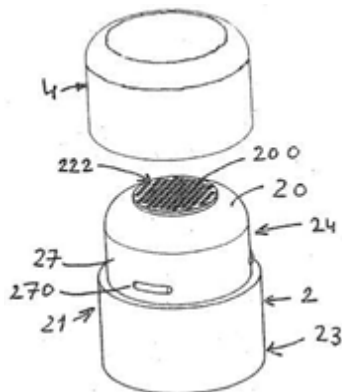
A45D 33/025

{for compacts, vanity boxes or cases ([A45D 33/04](#) - [A45D 33/16](#) take precedence)}

Definition statement

This place covers:

Illustrative examples of subject matter classified in this group.



References

Limiting references

This place does not cover:

With spring bottoms, diaphragm bases, rotary vanes, iris diaphragms, rollers, screws or displacing/rotating covering part	A45D 33/04 - A45D 33/16
---	---

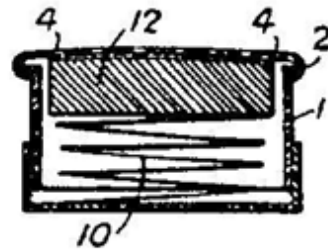
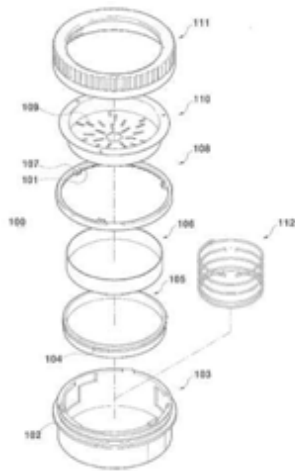
A45D 33/04

with spring bottoms

Definition statement

This place covers:

Illustrative examples of subject matter classified in this group.



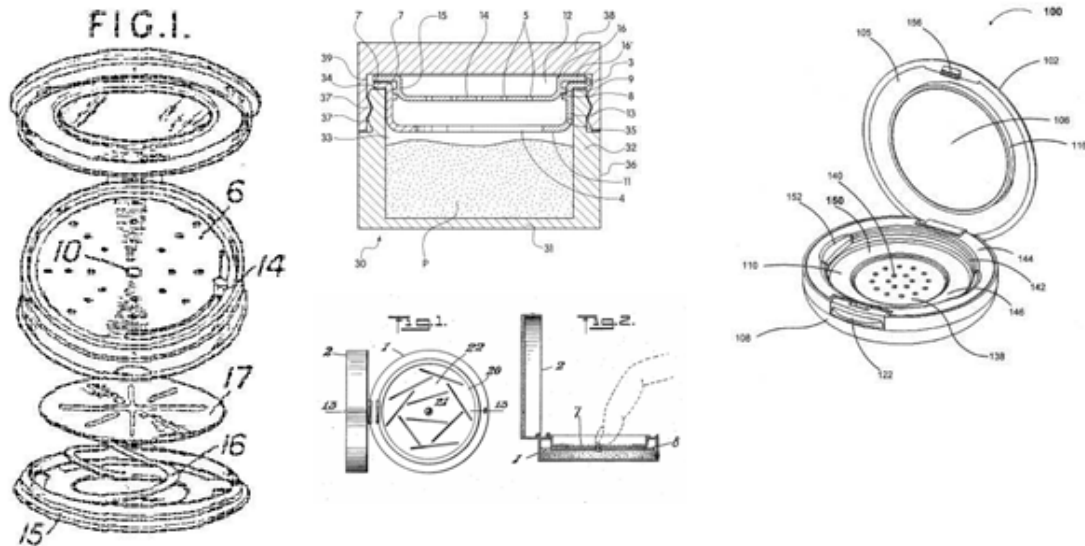
A45D 33/06

with diaphragm bases

Definition statement

This place covers:

Illustrative examples of subject matter classified in this group.



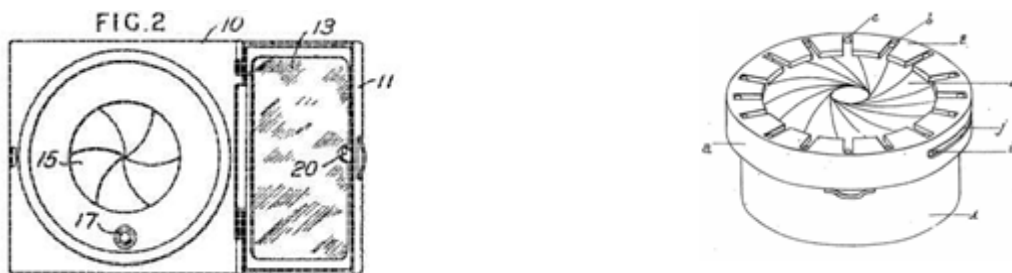
A45D 33/10

with closures in form of iris diaphragms

Definition statement

This place covers:

Illustrative examples of subject matter classified in this group.



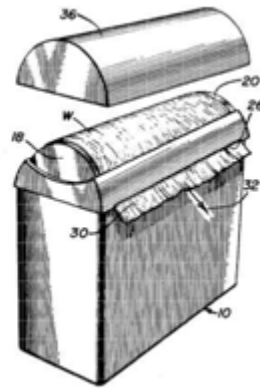
A45D 33/12

with rollers

Definition statement

This place covers:

Illustrative examples of subject matter classified in this group.



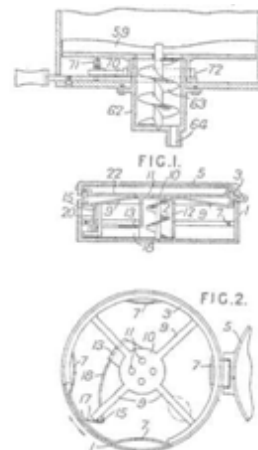
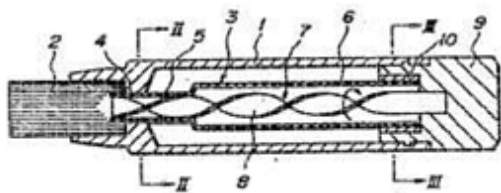
A45D 33/14

with screws

Definition statement

This place covers:

Illustrative examples of subject matter classified in this group.



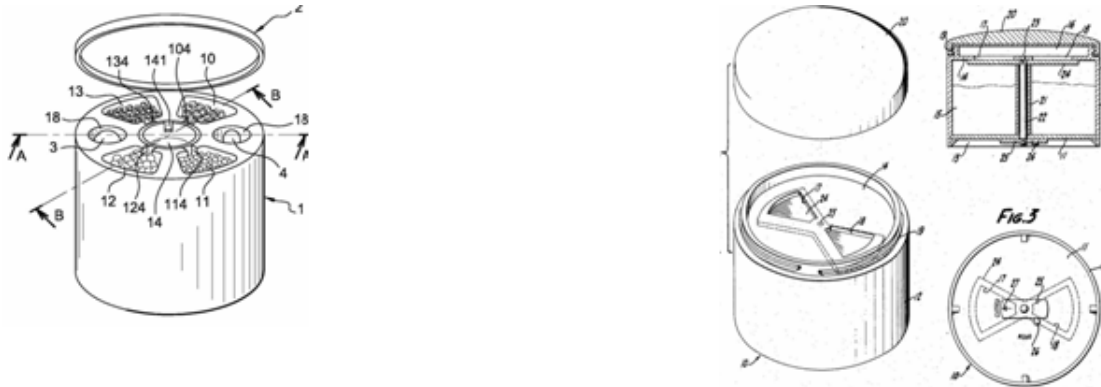
A45D 33/16

with openings in the lid, able to be opened or closed by displacing or rotating a covering part

Definition statement

This place covers:

Illustrative examples of subject matter classified in this group.

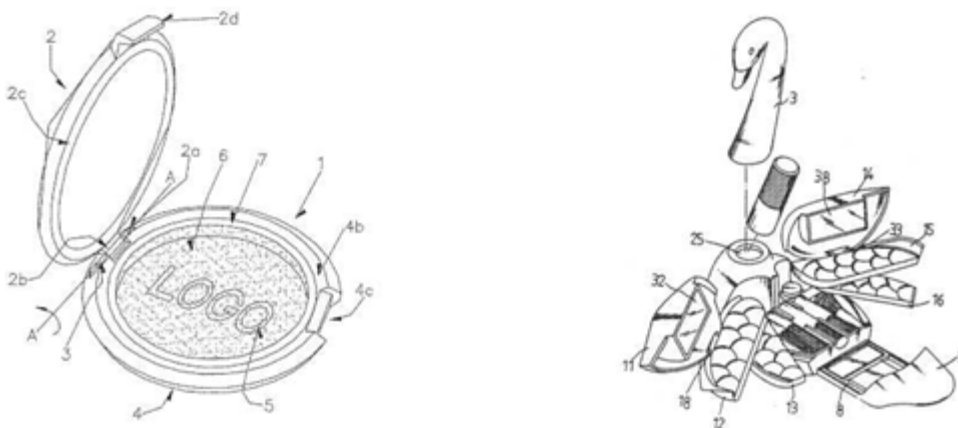
**A45D 33/18**

with special decorative arrangements or form

Definition statement

This place covers:

Illustrative examples of subject matter classified in this group.

**References****Limiting references**

This place does not cover:

Decorative art in general	B44
---------------------------	---------------------

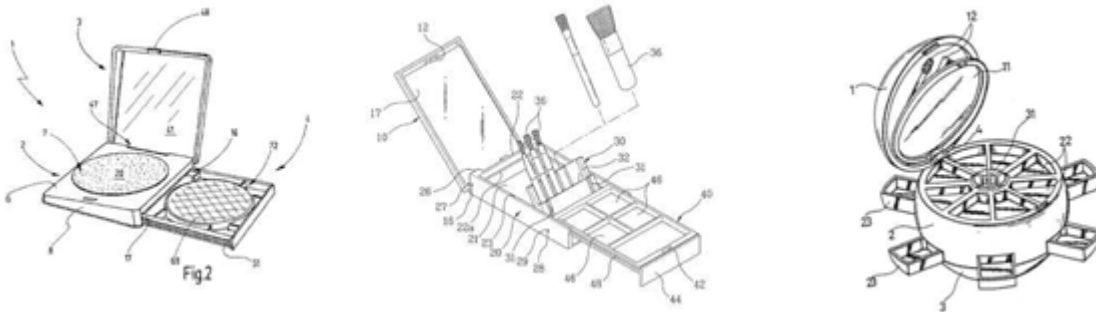
A45D 33/20

Containers with movably mounted drawers

Definition statement

This place covers:

Illustrative examples of subject matter classified in this group.



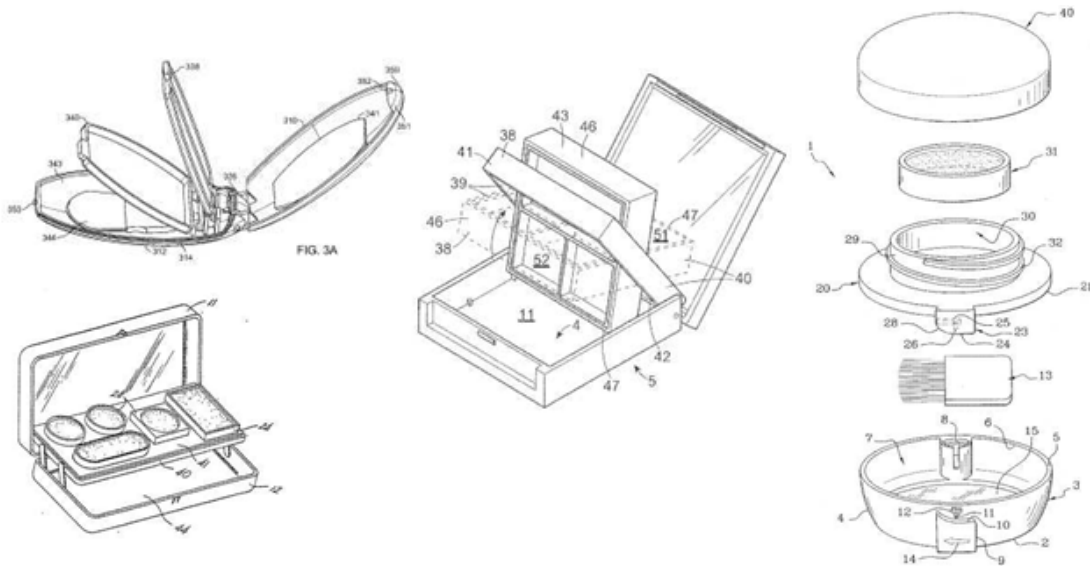
A45D 33/22

Containers with lids or covers at the top and the bottom

Definition statement

This place covers:

Illustrative examples of subject matter classified in this group.



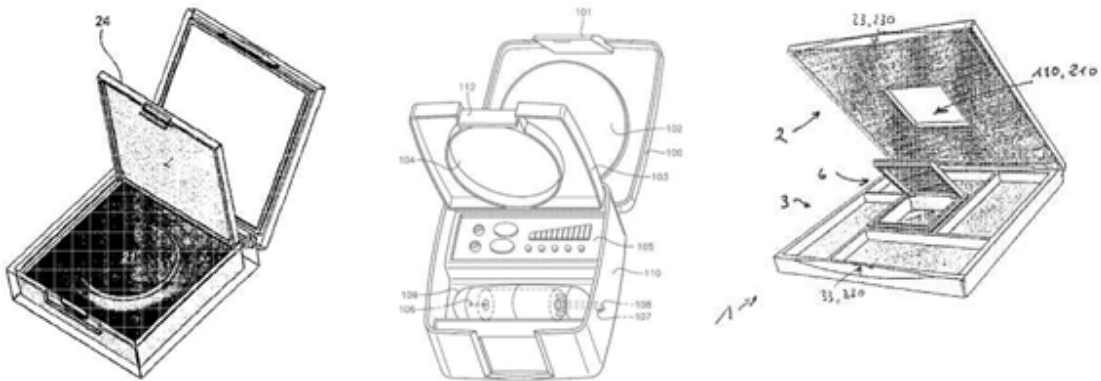
A45D 33/24

Containers with two lids on one side; Containers with several covers

Definition statement

This place covers:

Illustrative examples of subject matter classified in this group.



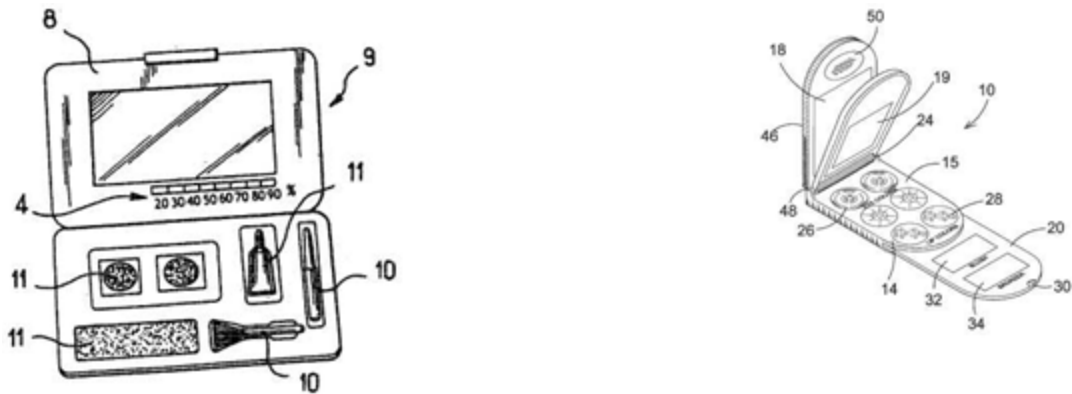
A45D 33/26

combined with other objects

Definition statement

This place covers:

Illustrative examples of subject matter classified in this group.



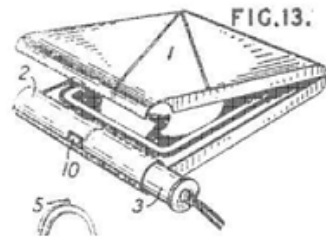
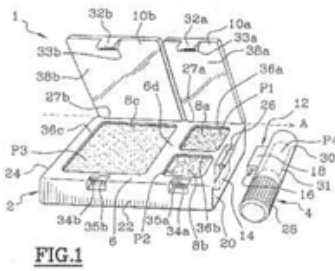
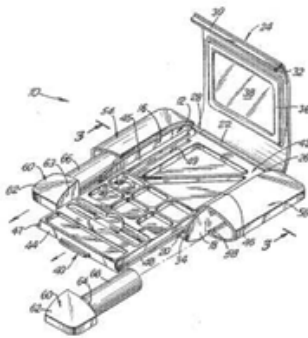
A45D 33/28

with lipstick holders or with other toiletry articles

Definition statement

This place covers:

Illustrative examples of subject matter classified in this group.



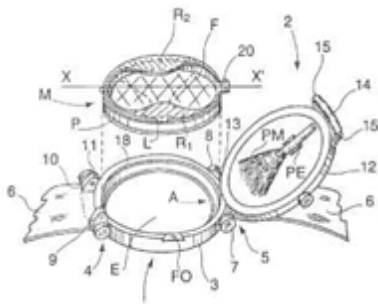
A45D 33/30

with watches or other mechanically-driven articles

Definition statement

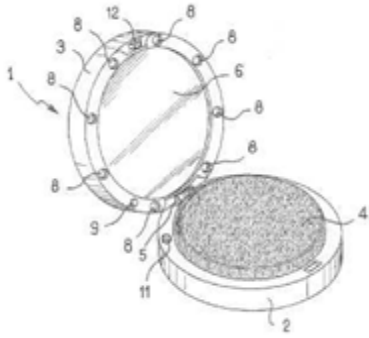
This place covers:

Illustrative examples of subject matter classified in this group.

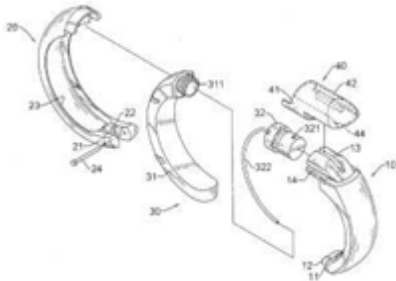


A45D 33/32**with illuminating means****Definition statement***This place covers:*

Illustrative examples of subject matter classified in this group.

**A45D 33/33****with bracelet or garter holder; as pendant****Definition statement***This place covers:*

Illustrative examples of subject matter classified in this group.



A45D 33/34

Powder-puffs, e.g. with installed container

Definition statement

This place covers:

Illustrative examples of subject matter classified in this group.



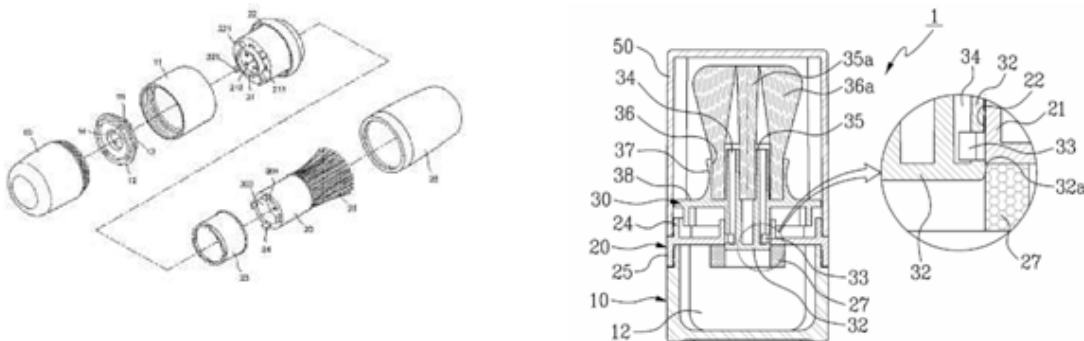
A45D 33/36

with handle

Definition statement

This place covers:

Illustrative examples of subject matter classified in this group.



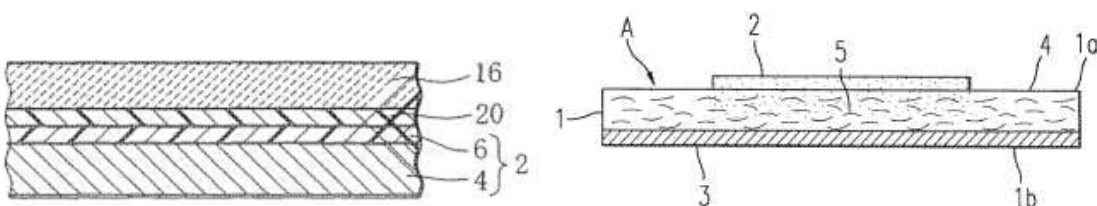
A45D 33/38

Papers containing cosmetic powder or other powdery toiletry substances

Definition statement

This place covers:

Illustrative examples of subject matter classified in this group.



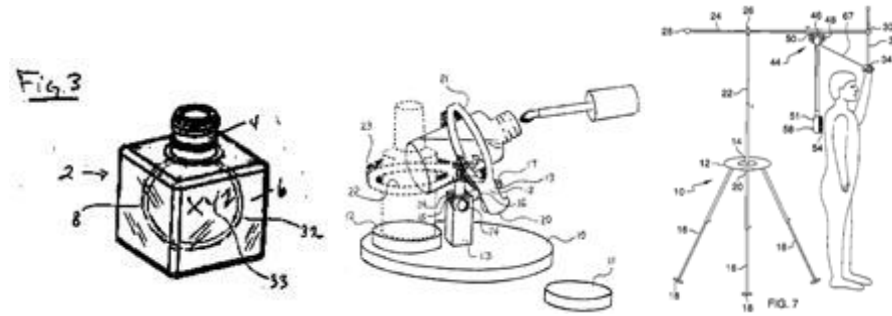
A45D 34/00

Containers or accessories specially adapted for handling liquid toiletry or cosmetic substances, e.g. perfumes

Definition statement

This place covers:

Illustrative examples of subject matter classified in this group.



References

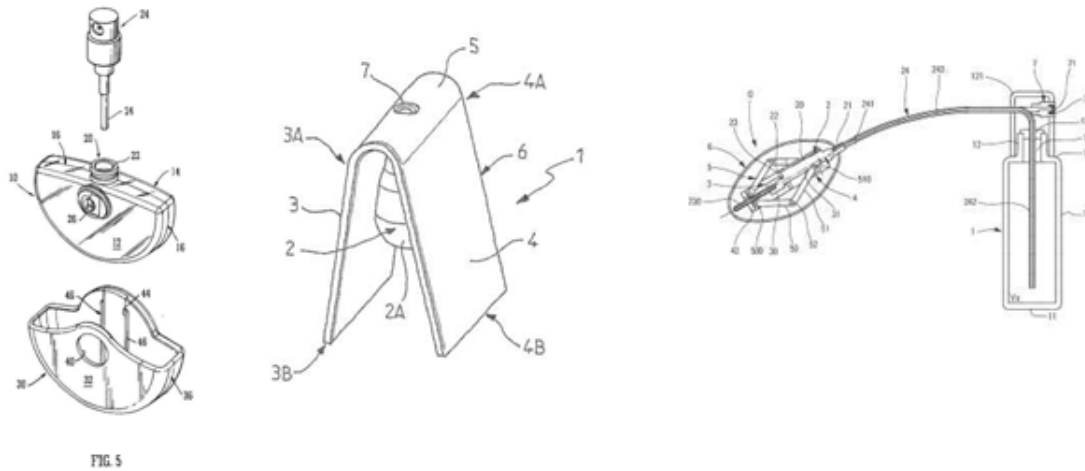
Informative references

Attention is drawn to the following places, which may be of interest for search:

Jewellery dispensing perfume or the like	A44C 15/002
Body washing or cleaning implements	A47K 7/00
Sprayers for applying therapeutic or disinfecting substances	A61M 11/00
Spraying or atomising in general, applying liquids or other fluent materials to surfaces in general	B05
Features common to writing or drawing implements	B43K
Containers in general	B65D

A45D 34/02**Scent flasks, e.g. with evaporator****Definition statement***This place covers:*

Illustrative examples of subject matter classified in this group.

**A45D 34/04****Appliances specially adapted for applying liquid, e.g. using roller or ball****References****Informative references***Attention is drawn to the following places, which may be of interest for search:*

Dispensers for soap	A47K 5/06
Containers with means for dispensing contents	B65D 83/00

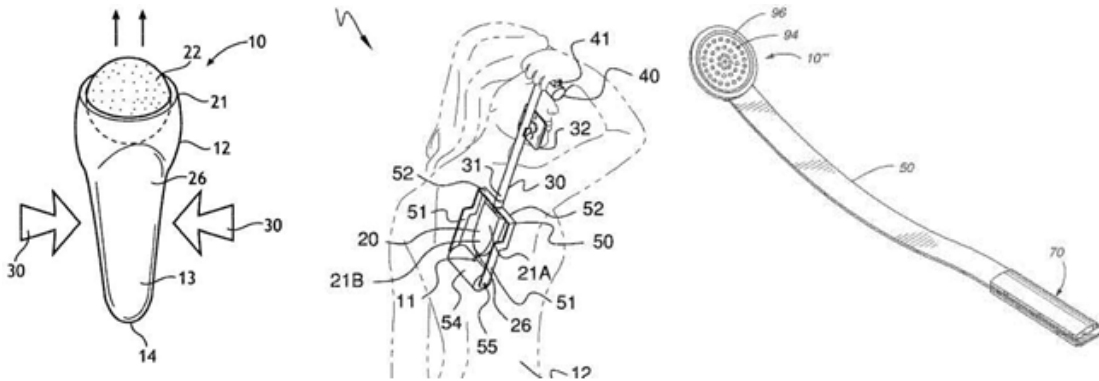
A45D 34/041

{using a roller, a disc or a ball}

Definition statement

This place covers:

Illustrative examples of subject matter classified in this group.



A45D 34/042

{using a brush or the like}

Definition statement

This place covers:

Illustrative examples of subject matter classified in this group.



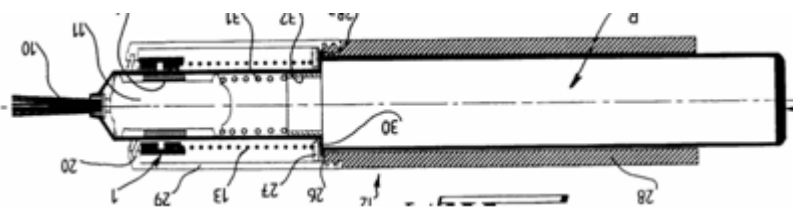
A45D 34/043

{movable within the container}

Definition statement

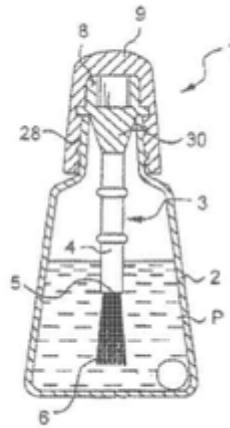
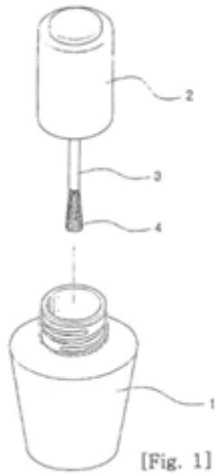
This place covers:

Illustrative examples of subject matter classified in this group.



A45D 34/045**{connected to the cap of the container}****Definition statement***This place covers:*

Liquid applicators, typically nail varnish applicators. Illustrative example:

**References****Informative references***Attention is drawn to the following places, which may be of interest for search:*

Mascara applicators	A45D 40/265
---------------------	-----------------------------

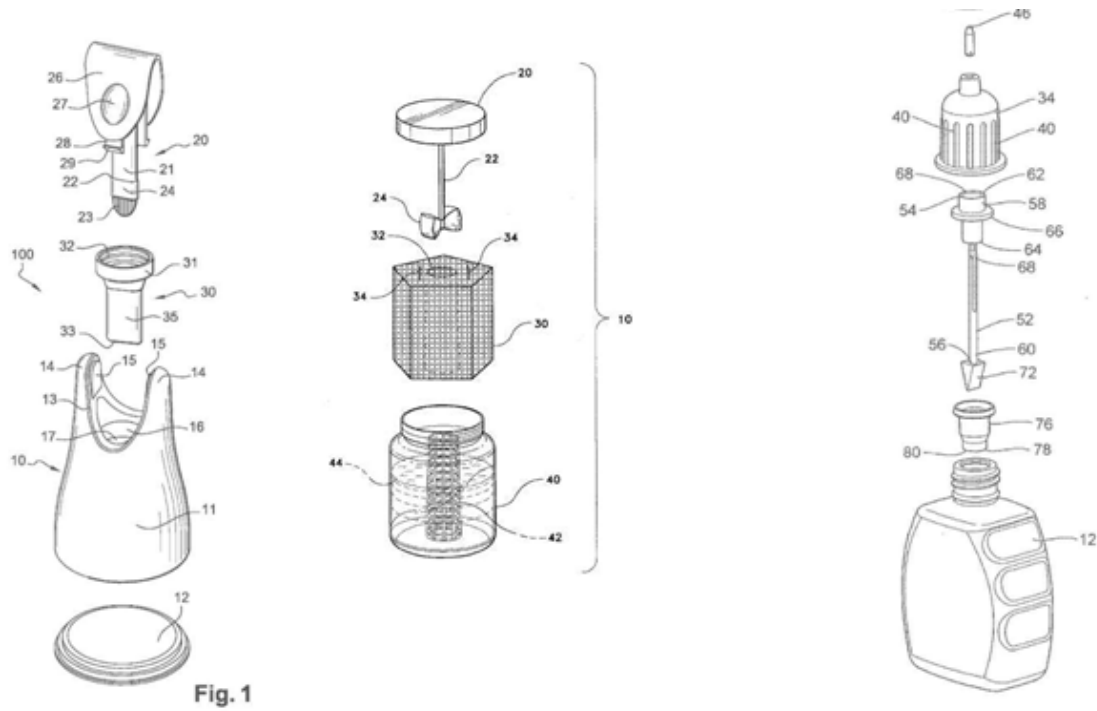
A45D 34/046

{comprising a wiper}

Definition statement

This place covers:

Illustrative examples of subject matter classified in this group.



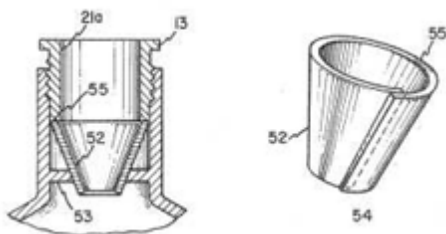
A45D 34/047

{with adjustable wiping action}

Definition statement

This place covers:

Illustrative examples of subject matter classified in this group.



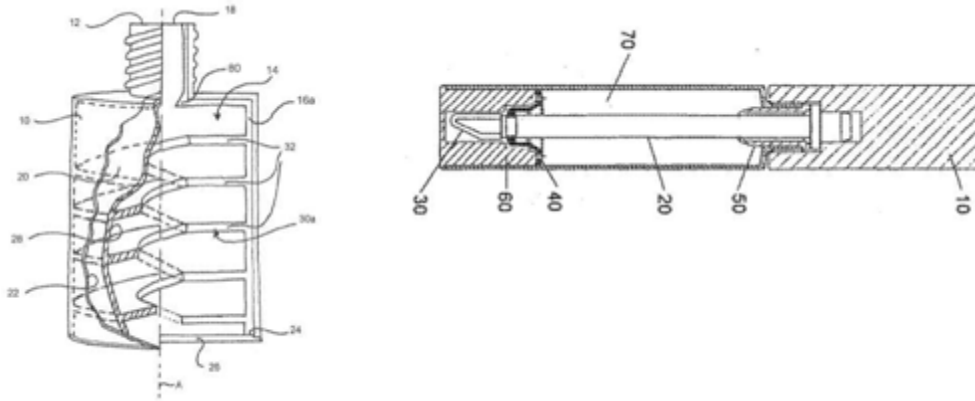
A45D 34/048

{with stirring means}

Definition statement

This place covers:

Illustrative examples of subject matter classified in this group.



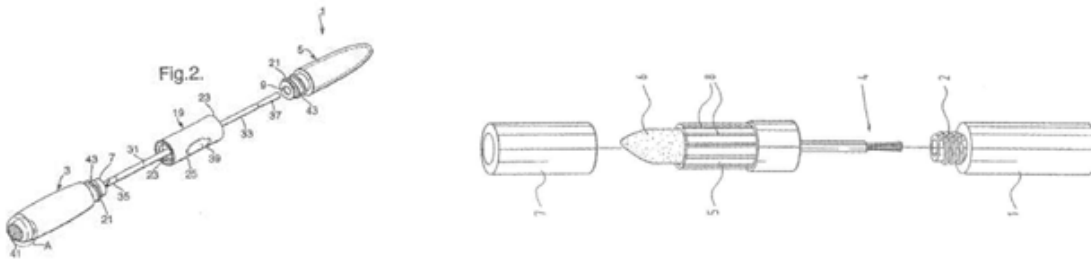
A45D 34/06

in combination with other toiletry or cosmetic articles

Definition statement

This place covers:

Illustrative examples of subject matter classified in this group.



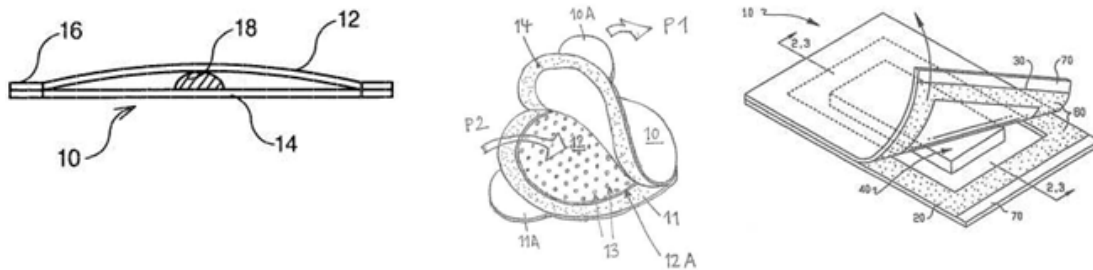
A45D 37/00

Sachet pads specially adapted for liquid toiletry or cosmetic substances

Definition statement

This place covers:

Illustrative examples of subject matter classified in this group.



References

Informative references

Attention is drawn to the following places, which may be of interest for search:

Cloths, pads or sponges containing cleaning agents	A47L 13/17
Cosmetic preparations for tissues, wipes or patches	A61K 8/0208
Absorbent pads for applying media, e.g. remedies on the human body	A61M 35/006

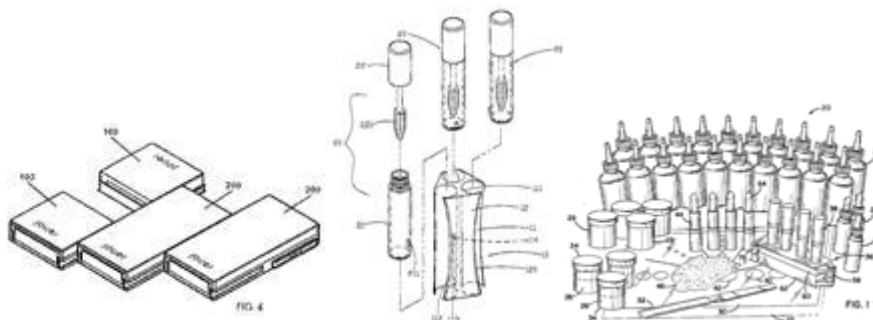
A45D 40/00

Casings or accessories specially adapted for storing or handling solid or pasty toiletry or cosmetic substances, e.g. shaving soaps or lipsticks (features common to containers for handling powdery or liquid toiletry or cosmetic substances [A45D 33/00](#)-[A45D 37/00](#); cosmetic or like preparations [A61K 8/00](#), [A61Q](#); sample tables or the like [G09F 5/00](#))

Definition statement

This place covers:

Illustrative examples of subject matter classified in this group.



References

Limiting references

This place does not cover:

Features common to containers for handling powdery toiletry or cosmetic substances	A45D 33/00 - A45D 37/00
Cosmetic or like preparations	A61K 8/00 , A61Q
Sample tables or the like	G09F 5/00

Informative references

Attention is drawn to the following places, which may be of interest for search:

Body washing or cleaning implements	A47K 7/00
Features common to writing or drawing implements	B43K
Containers in general	B65D

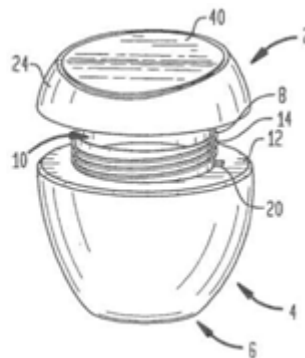
A45D 40/0068

{Jars}

Definition statement

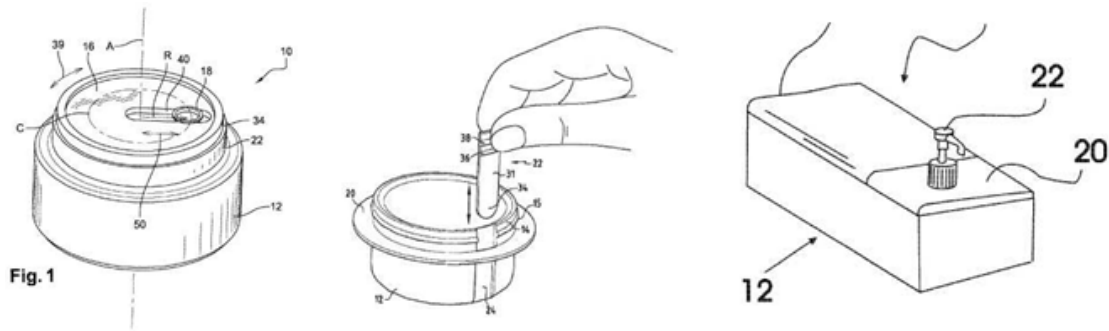
This place covers:

Illustrative examples of subject matter classified in this group.

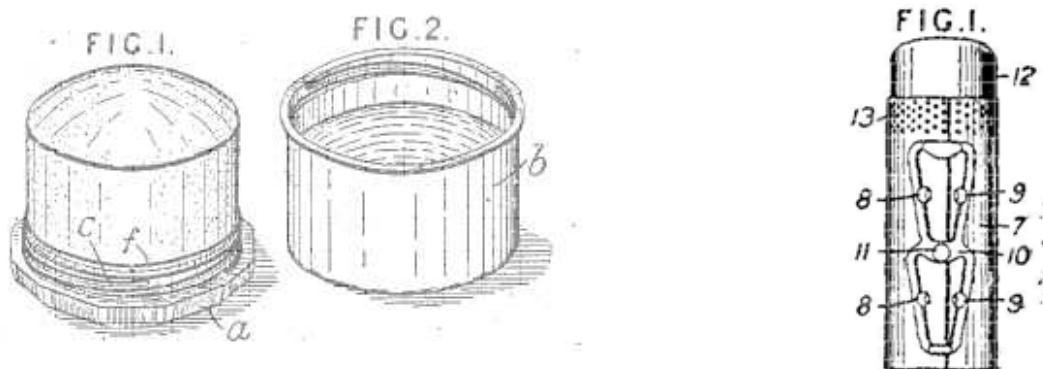


A45D 40/0075**{with dispensing means}****Definition statement***This place covers:*

Illustrative examples of subject matter classified in this group.

**A45D 40/0081****{for shaving soap ([A45D 40/02](#), [A45D 40/06](#) take precedence)}****Definition statement***This place covers:*

Illustrative examples of subject matter classified in this group.

**References****Limiting references***This place does not cover:*

The stick having a sliding or screwing movement	A45D 40/02 , A45D 40/06
---	---

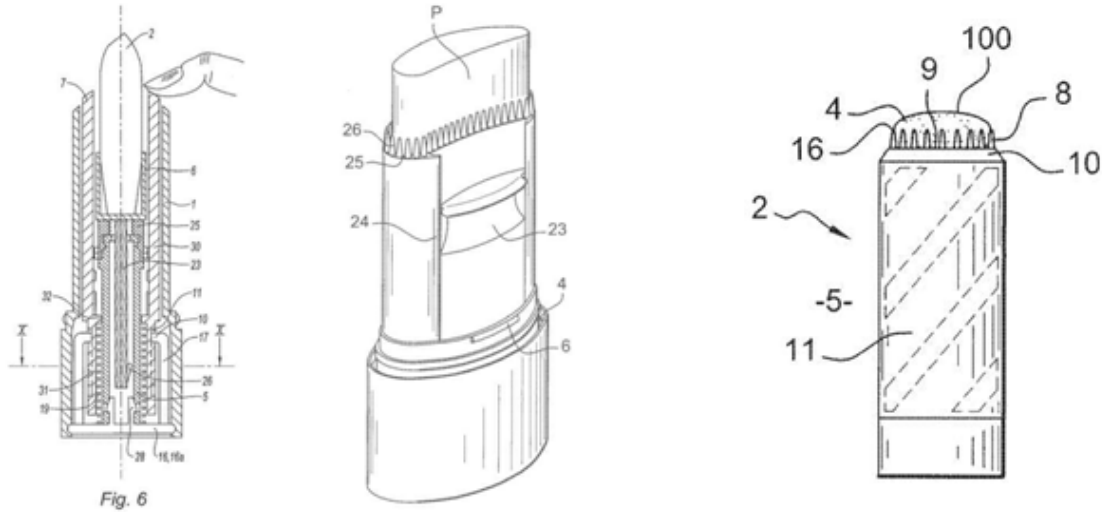
A45D 40/02

Casings wherein movement of the lipstick or like solid is a sliding movement
([A45D 40/06](#) takes precedence)

Definition statement

This place covers:

Illustrative examples of subject matter classified in this group.



References

Limiting references

This place does not cover:

With a screwing movement	A45D 40/06
--------------------------	----------------------------

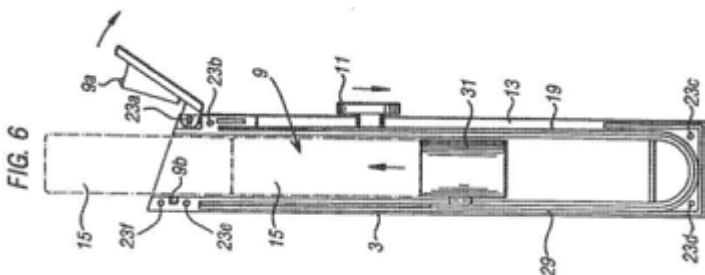
A45D 40/023

{with self-contained covering means}

Definition statement

This place covers:

Illustrative examples of subject matter classified in this group.



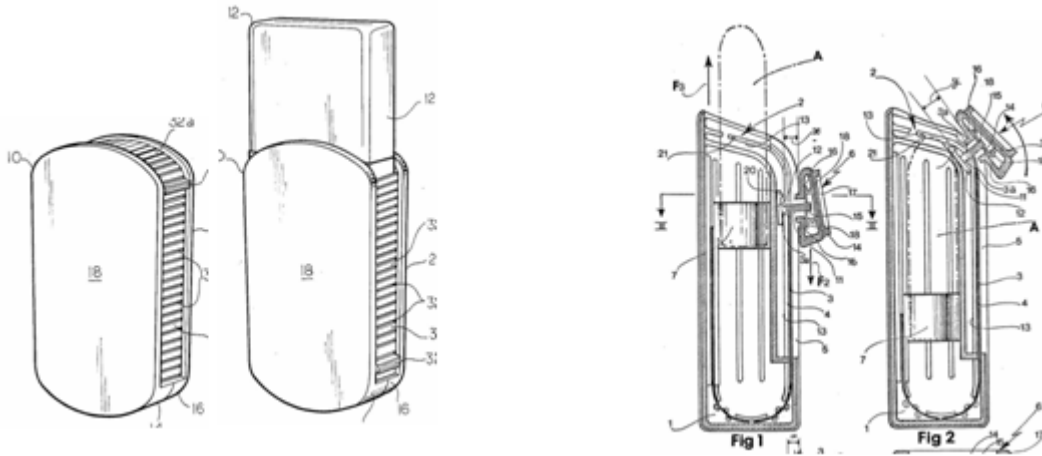
A45D 40/026

{consisting of a movable strip}

Definition statement

This place covers:

Illustrative examples of subject matter classified in this group.



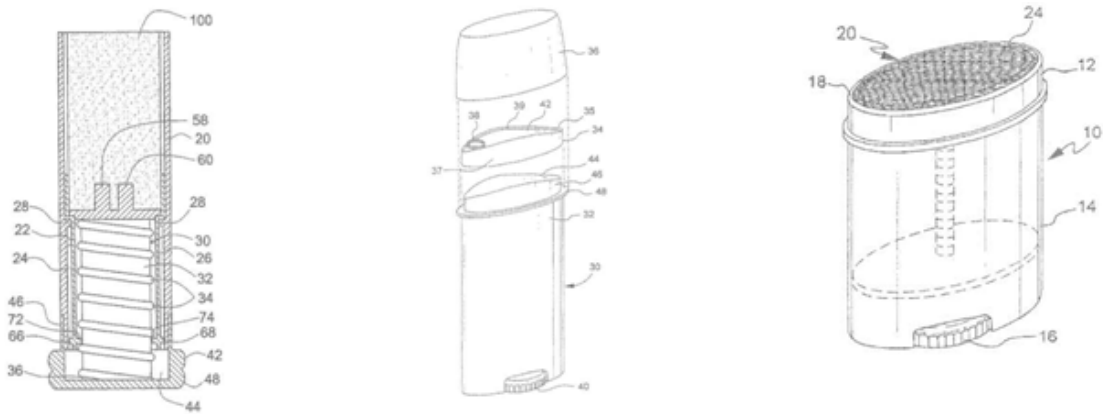
A45D 40/04

effected by a screw

Definition statement

This place covers:

Illustrative examples of subject matter classified in this group.



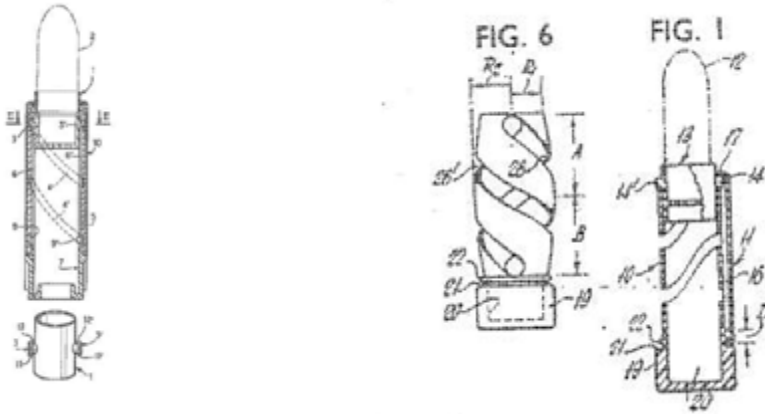
A45D 40/06

Casings wherein movement of the lipstick or like solid is a screwing movement

Definition statement

This place covers:

Illustrative examples of subject matter classified in this group.



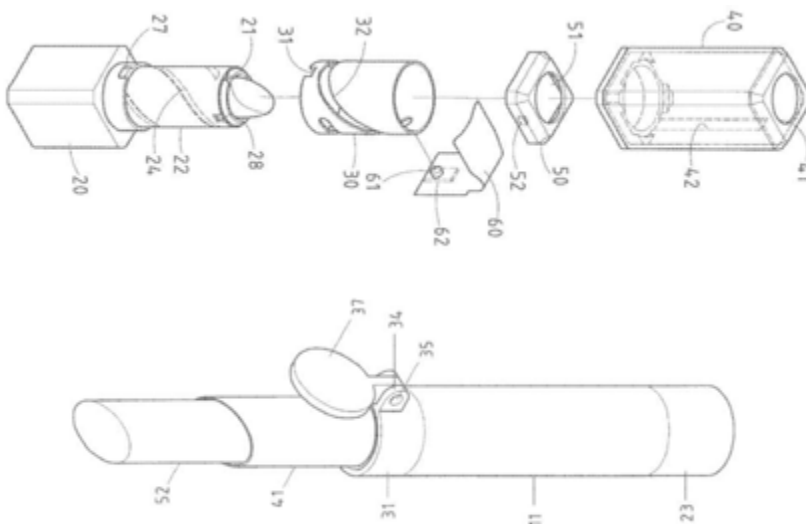
A45D 40/065

{with self-contained covering means}

Definition statement

This place covers:

Illustrative examples of subject matter classified in this group.



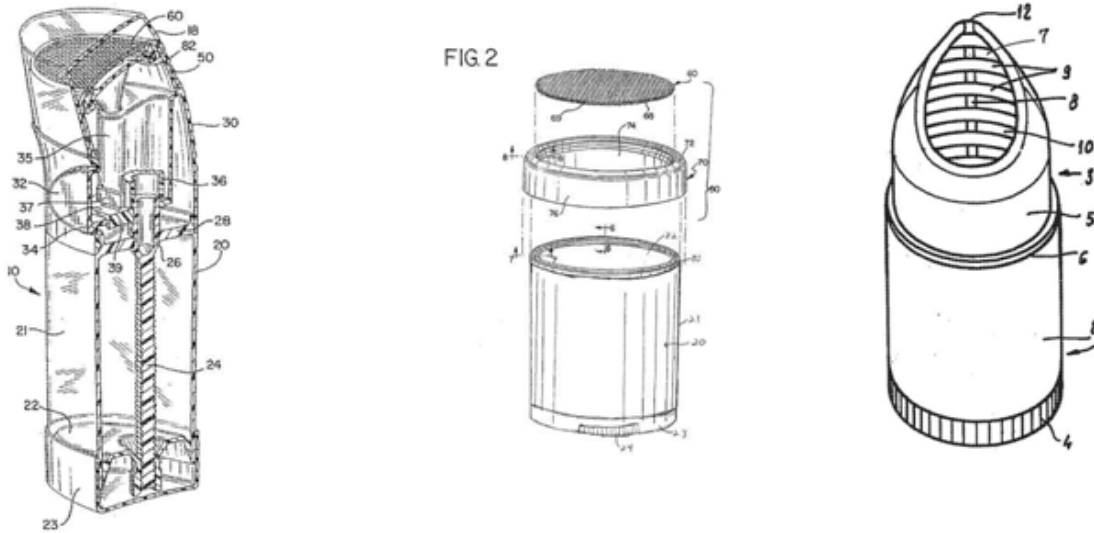
A45D 40/08

with provision for sieves or shaping parts for sticks ends

Definition statement

This place covers:

Illustrative examples of subject matter classified in this group.



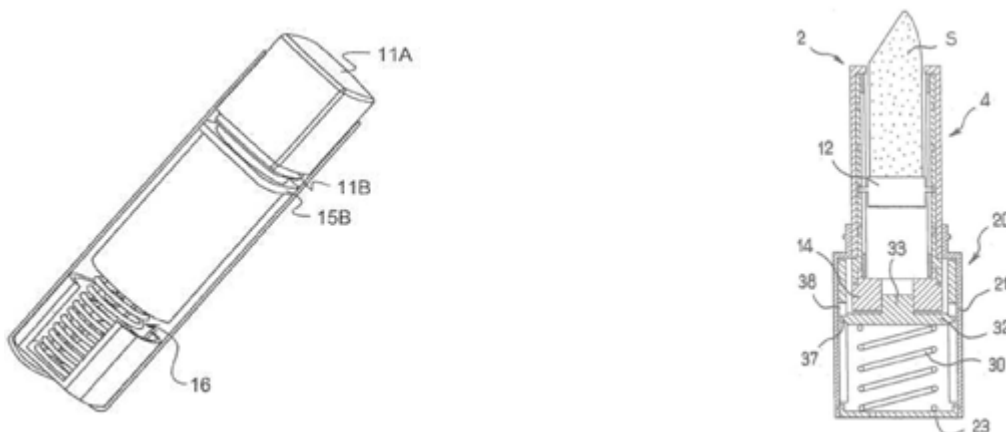
A45D 40/10

Casings wherein a spring presses the lipstick or like solid into the position for use or into the retracted position

Definition statement

This place covers:

Illustrative examples of subject matter classified in this group.



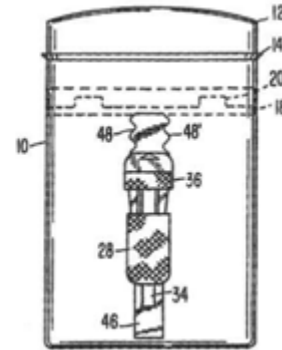
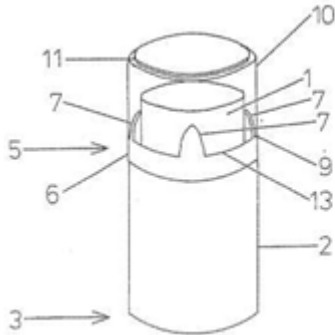
A45D 40/12

Casings with provision for preventing undesired movement of the stick (A45D 40/10 takes precedence)

Definition statement

This place covers:

Illustrative examples of subject matter classified in this group.



References

Limiting references

This place does not cover:

With a spring pressing the lipstick	A45D 40/10
-------------------------------------	----------------------------

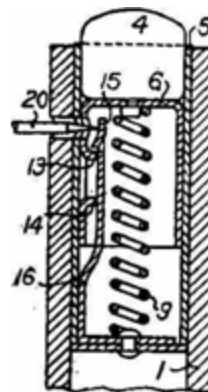
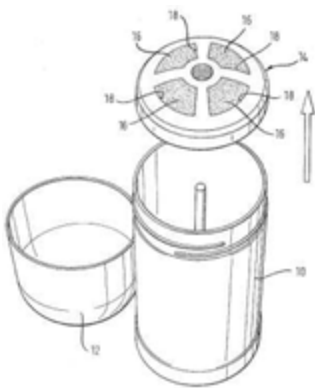
A45D 40/14

Casings with ejector for waste stick or the like

Definition statement

This place covers:

Illustrative examples of subject matter classified in this group.



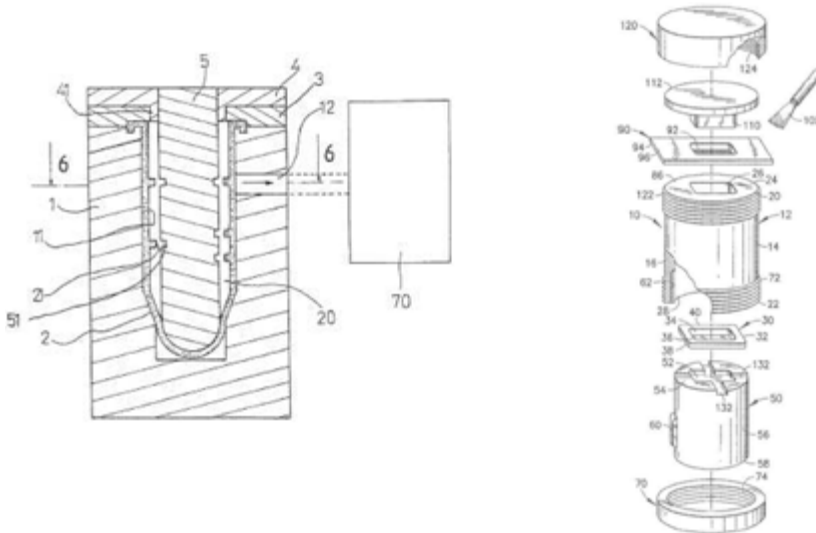
A45D 40/16

Refill sticks; Moulding devices for producing sticks

Definition statement

This place covers:

Illustrative examples of subject matter classified in this group.



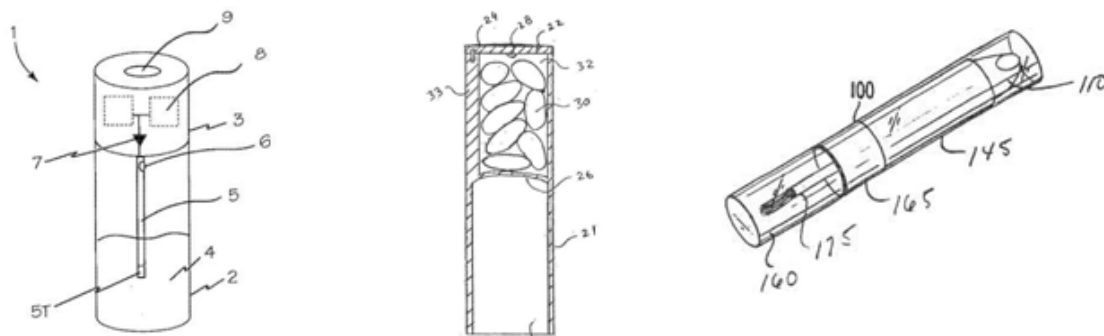
A45D 40/18

Casings combined with other objects ([A45D 40/24](#), [A45D 42/02](#) take precedence)

Definition statement

This place covers:

Illustrative examples of subject matter classified in this group.



References

Limiting references

This place does not cover:

For two or more cosmetics	A45D 40/24
Mirrors with lipstick	A45D 42/02

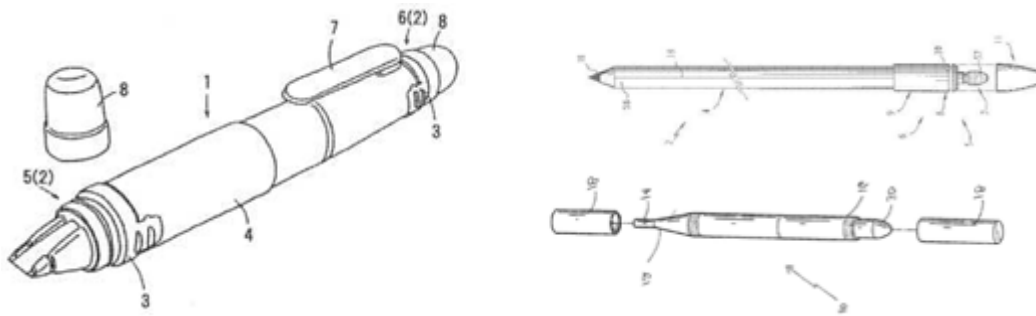
A45D 40/20

Pencil-like cosmetics; Simple holders for handling stick-shaped cosmetics or shaving soap while in use

Definition statement

This place covers:

Illustrative examples of subject matter classified in this group.



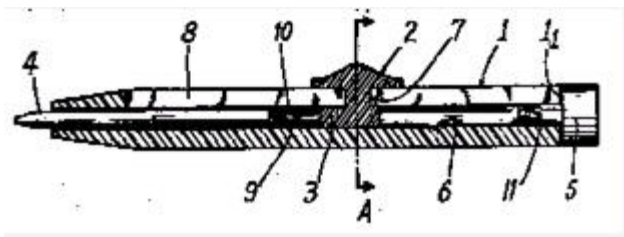
A45D 40/205

{Holders for stick-shaped cosmetics whereby the stick can move axially relative to the holder (casings for lipstick [A45D 40/02](#), [A45D 40/06](#); refill sticks or moulding devices for producing sticks [A45D 40/16](#))}

Definition statement

This place covers:

Illustrative examples of subject matter classified in this group.



References

Limiting references

This place does not cover:

Casings for lipstick	A45D 40/02 , A45D 40/06
Refill sticks or moulding devices for producing sticks	A45D 40/16

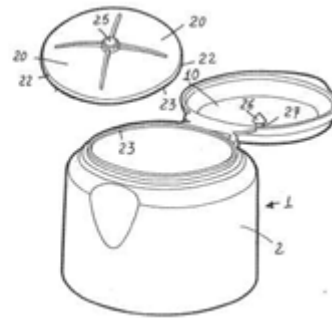
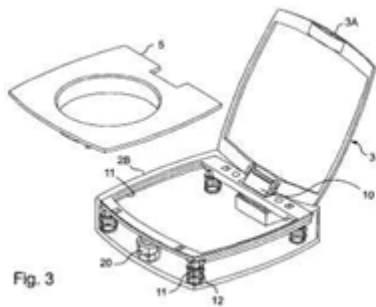
A45D 40/22

Casings characterised by a hinged cover

Definition statement

This place covers:

Illustrative examples of subject matter classified in this group.



A45D 40/221

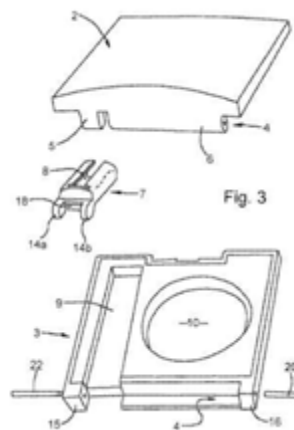
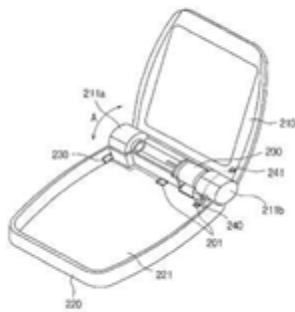
{Features of the hinge}

Definition statement

This place covers:

Illustrative examples of subject matter classified in this group.

Fig. 2



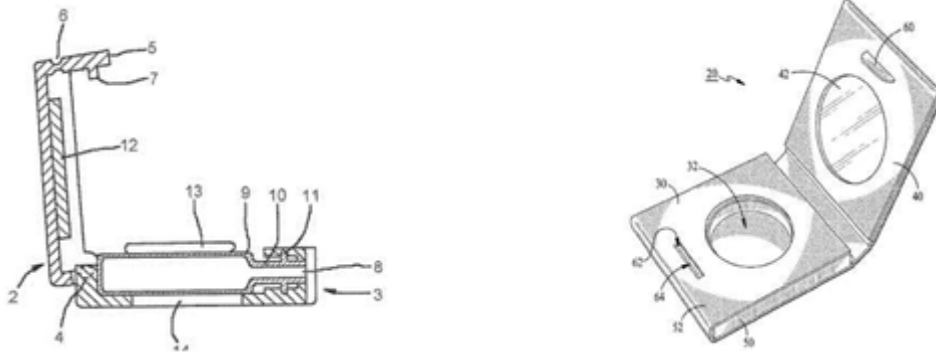
A45D 40/222

{Means for closing the lid}

Definition statement

This place covers:

Illustrative examples of subject matter classified in this group.



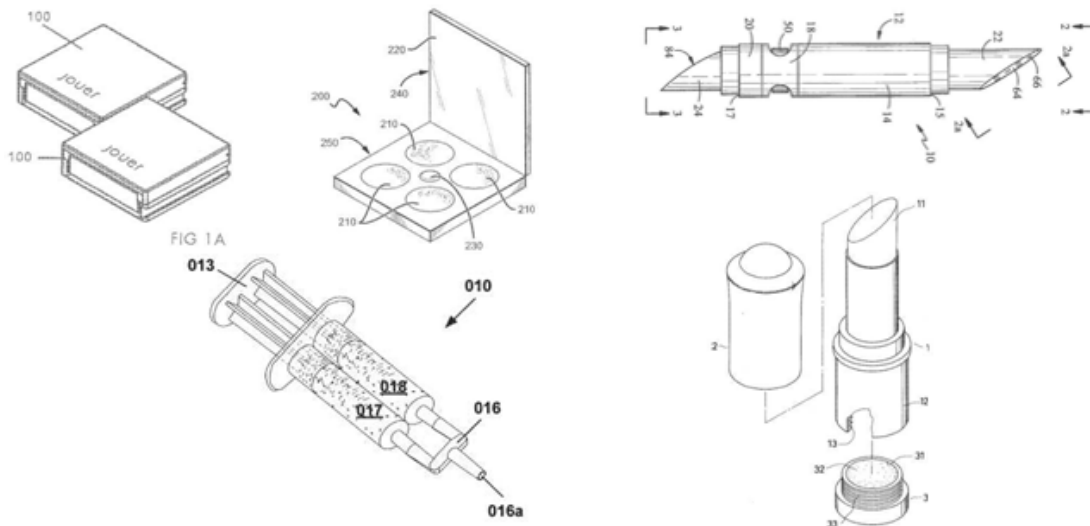
A45D 40/24

Casings for two or more cosmetics

Definition statement

This place covers:

Illustrative examples of subject matter classified in this group.



A45D 40/26

Appliances specially adapted for applying pasty paint, e.g. using roller, using a ball

References**Limiting references**

This place does not cover:

For applying liquid paint	A45D 34/04
---------------------------	----------------------------

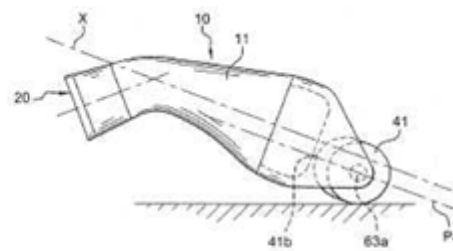
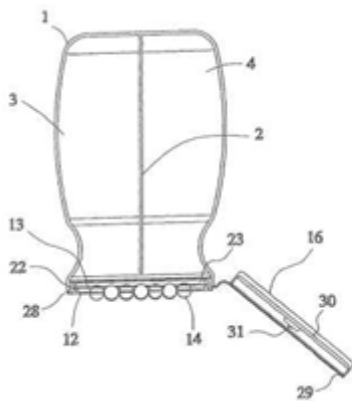
A45D 40/261

{using a ball, a roller or the like}

Definition statement

This place covers:

Illustrative examples of subject matter classified in this group.

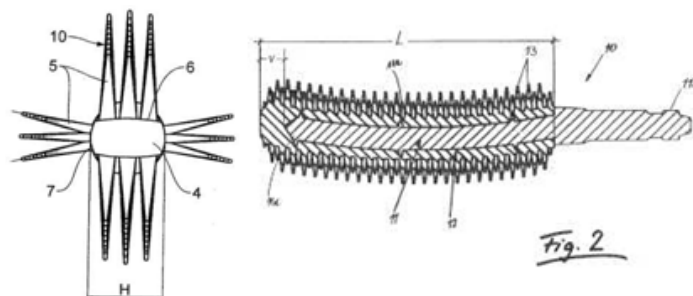
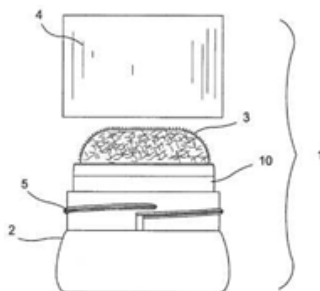
**A45D 40/262**

{using a brush or the like}

Definition statement

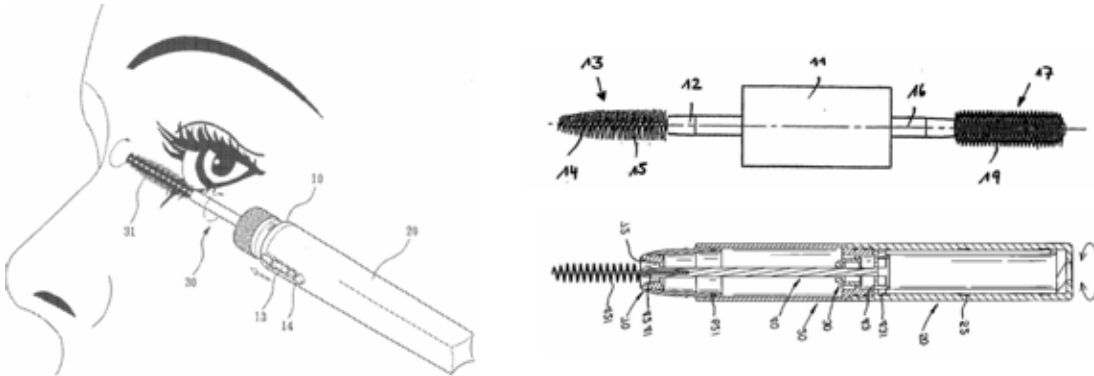
This place covers:

Illustrative examples of subject matter classified in this group.

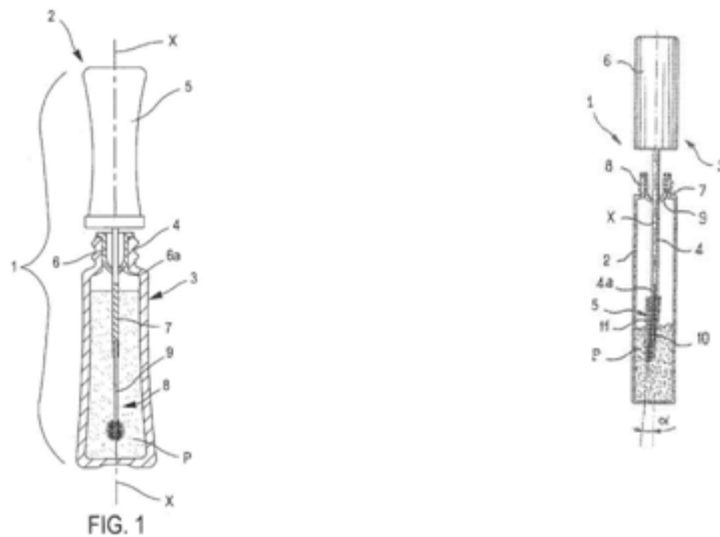


A45D 40/264**{movable within the container}****Definition statement***This place covers:*

Illustrative examples of subject matter classified in this group.

**A45D 40/265****{connected to the cap of the container}****Definition statement***This place covers:*

Applicators for pasty cosmetics, typically for mascara. Illustrative example:

**References****Informative references***Attention is drawn to the following places, which may be of interest for search:*

Nail varnish applicators	A45D 34/045
--------------------------	-----------------------------

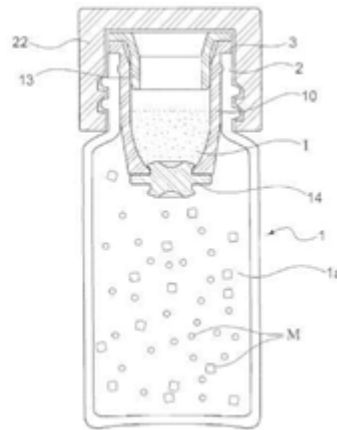
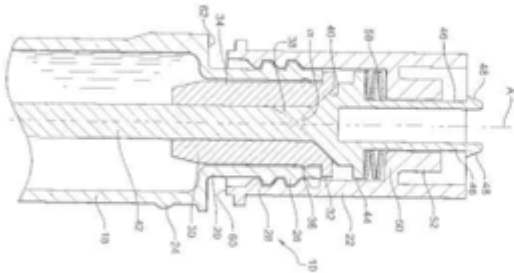
A45D 40/267

{comprising a wiper}

Definition statement

This place covers:

Illustrative examples of subject matter classified in this group.



A45D 40/268

{with adjustable wiping action}

Definition statement

This place covers:

Illustrative example of subject matter classified in this group.

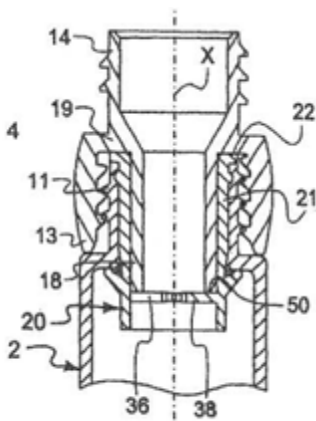


Fig.5

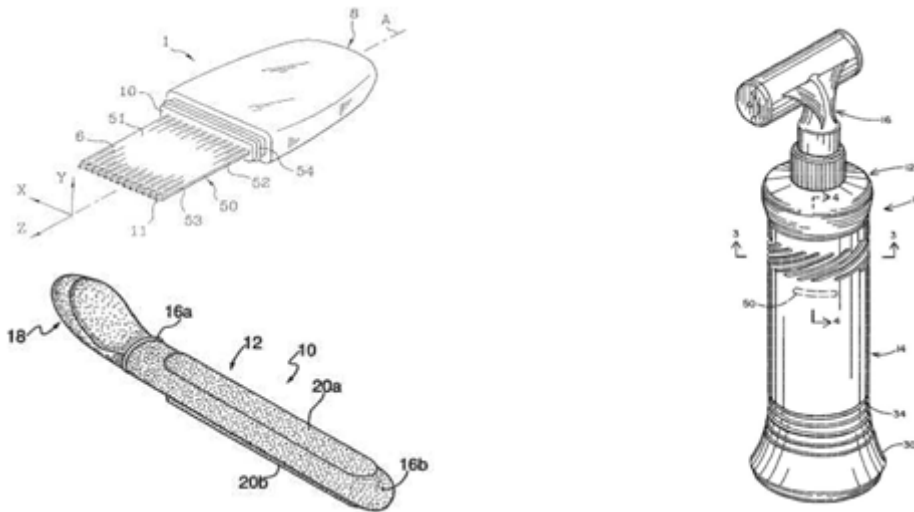
A45D 40/28

Appliances specially adapted for spreading already applied paint

Definition statement

This place covers:

Illustrative examples of subject matter classified in this group.



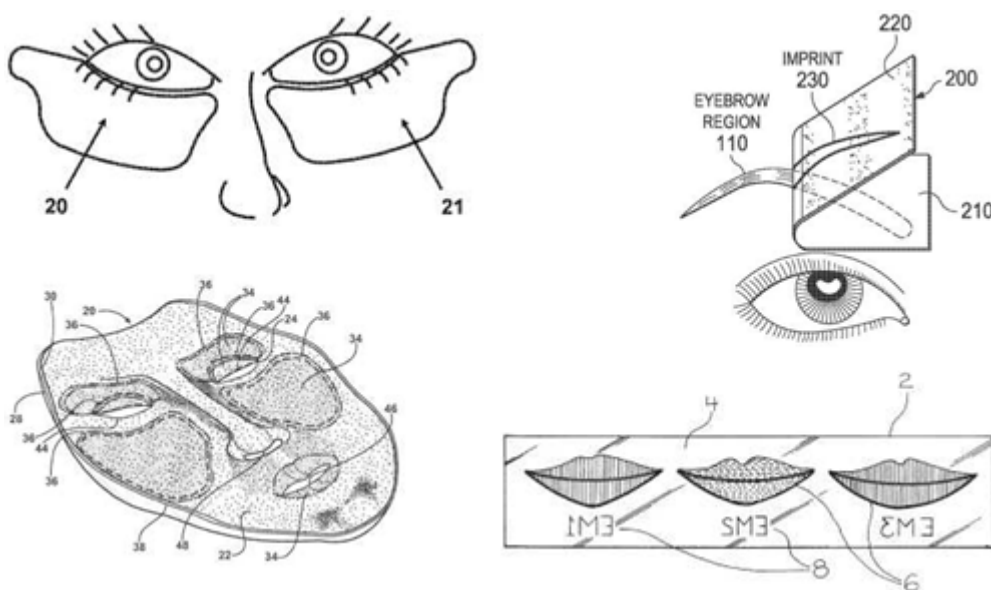
A45D 40/30

Masks for marking lips or eyelashes

Definition statement

This place covers:

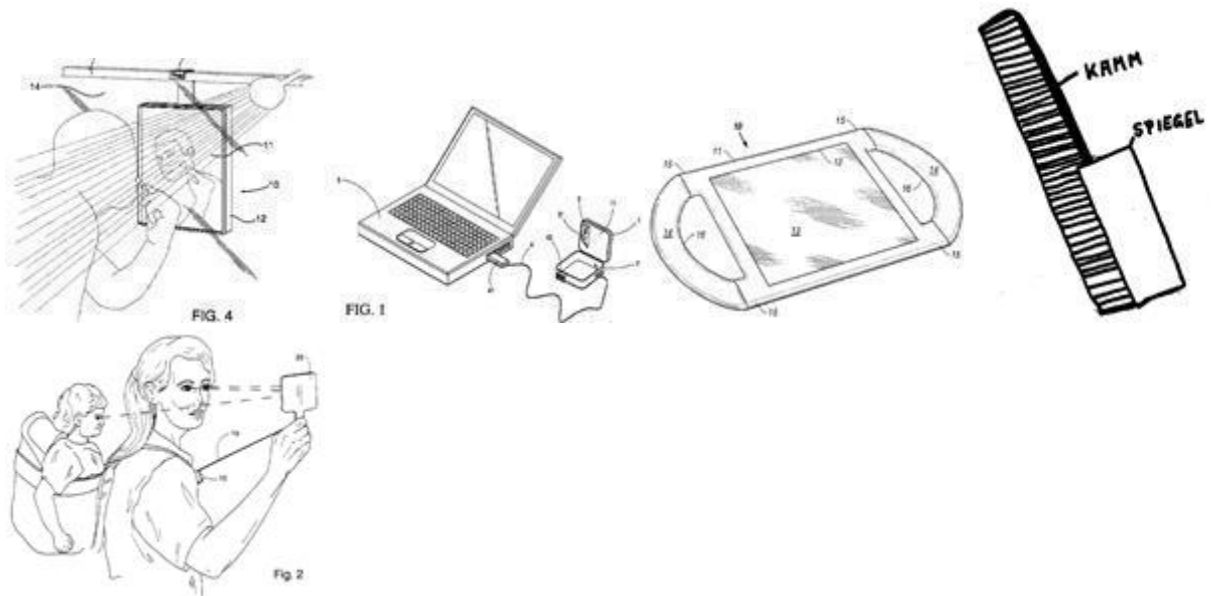
Illustrative examples of subject matter classified in this group.



A45D 42/00**Hand, pocket, or shaving mirrors****Definition statement**

This place covers:

Mirrors for personal use, e.g. for use while travelling. Illustrative example:

**References****Limiting references**

This place does not cover:

Mirrors as household equipment	A47G 1/02
Mirrors as optical elements	G02B 5/08

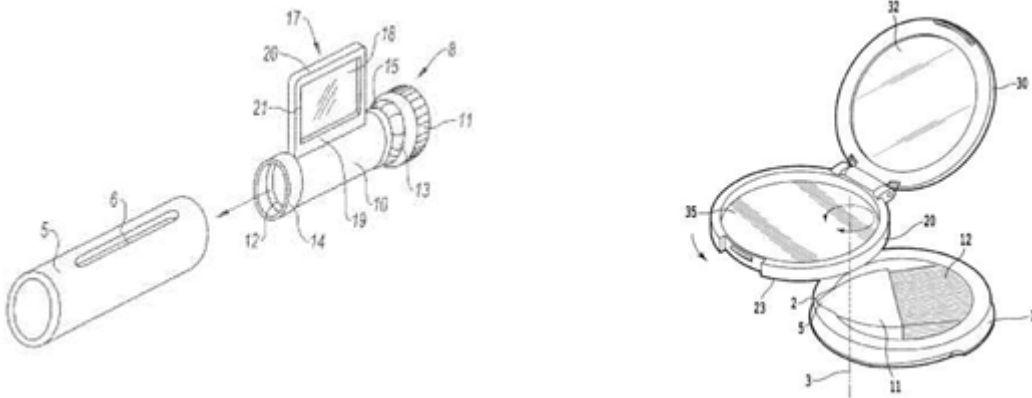
A45D 42/02

Mirrors with lipstick or powder-pads

Definition statement

This place covers:

Illustrative examples of subject matter classified in this group.



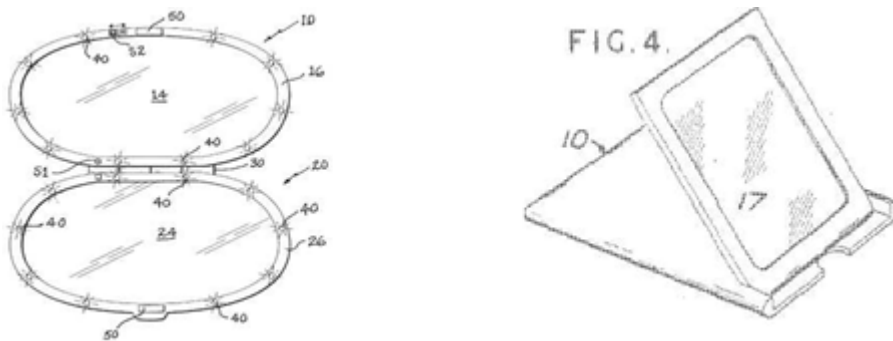
A45D 42/04

Pocket or handbag mirrors

Definition statement

This place covers:

Illustrative examples of subject matter classified in this group.



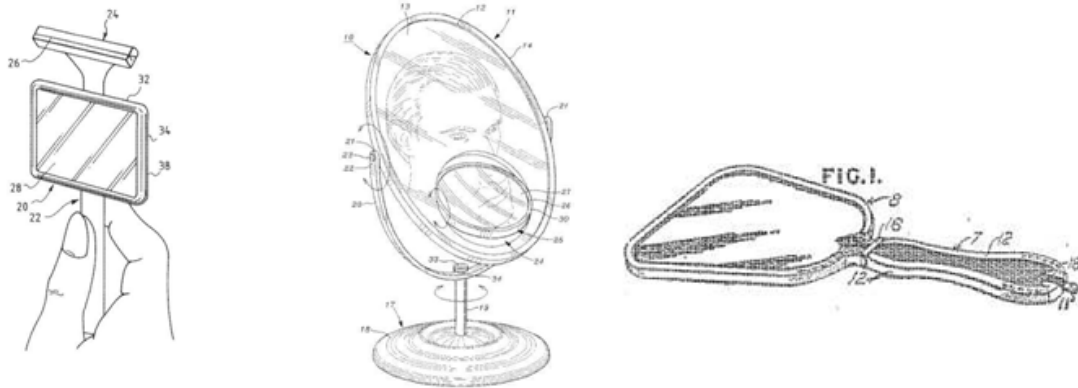
A45D 42/08

Shaving mirrors

Definition statement

This place covers:

Illustrative examples of subject matter classified in this group.



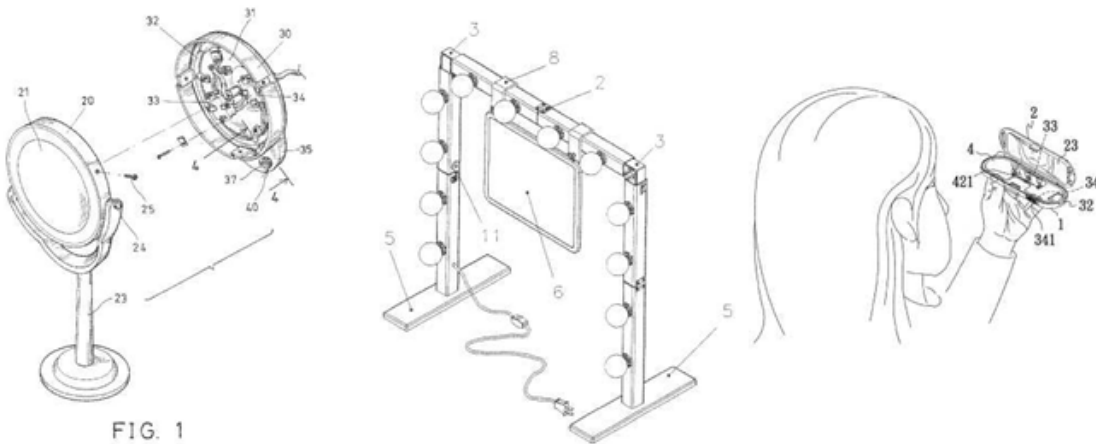
A45D 42/10

illuminated

Definition statement

This place covers:

Illustrative examples of subject matter classified in this group.



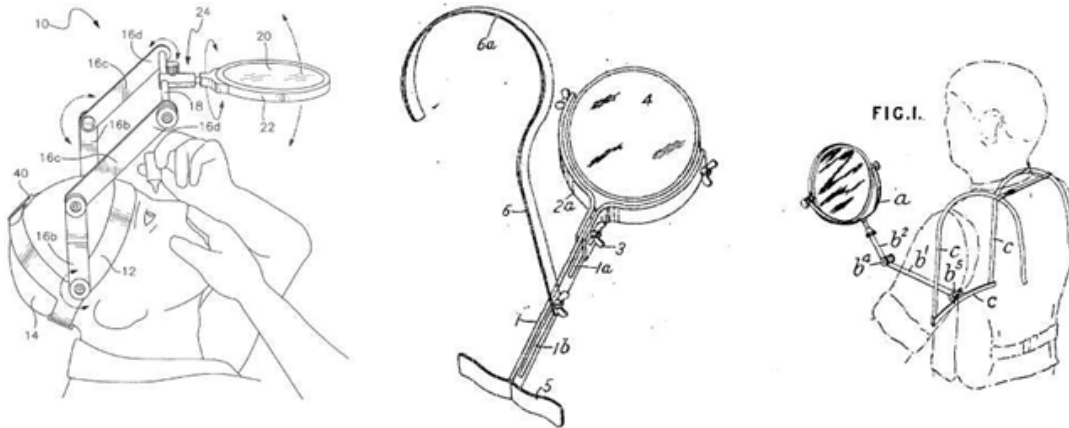
A45D 42/12

able to be suspended on a person's body

Definition statement

This place covers:

Illustrative examples of subject matter classified in this group.

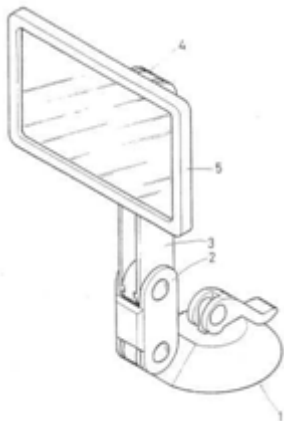
**A45D 42/14**

with vacuum cups

Definition statement

This place covers:

Illustrative examples of subject matter classified in this group.



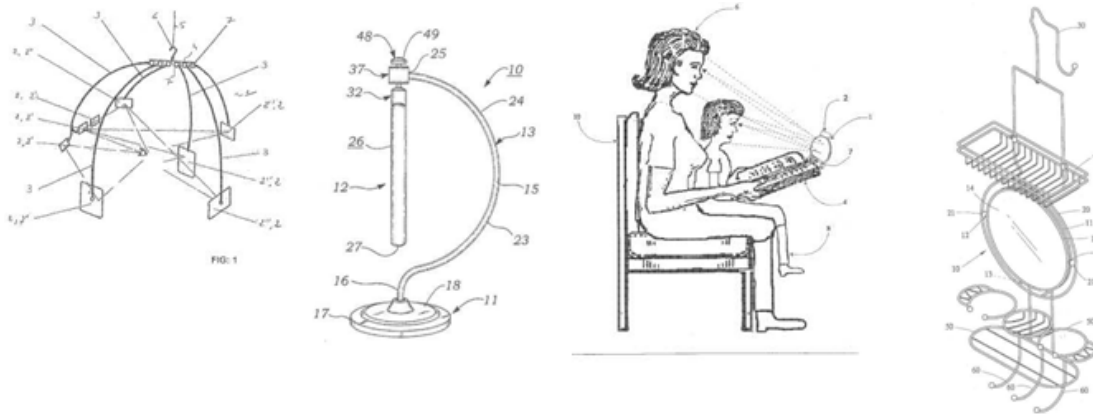
A45D 42/16

with other suspending or supporting means

Definition statement

This place covers:

Illustrative examples of subject matter classified in this group.



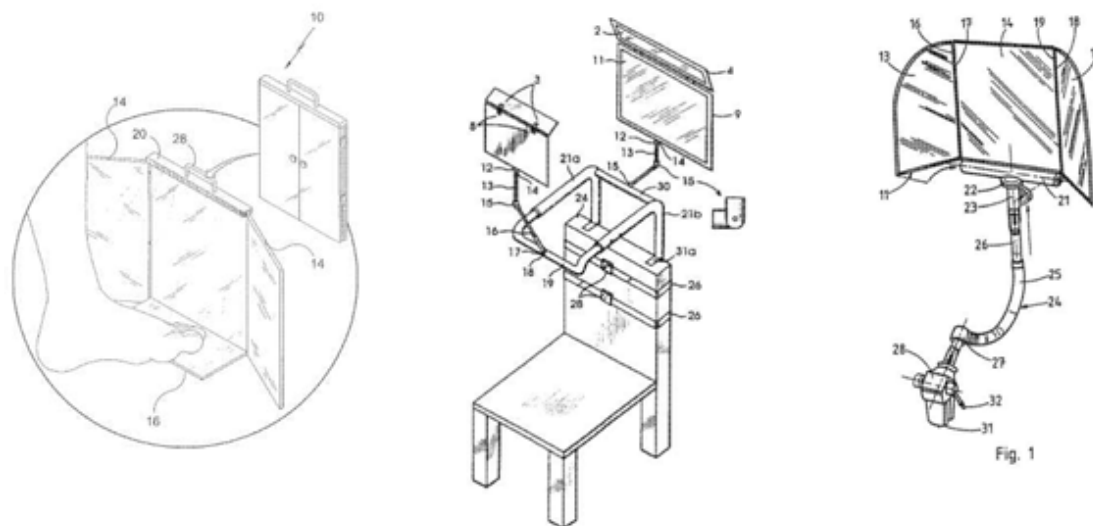
A45D 42/18

Manifold reflecting mirrors

Definition statement

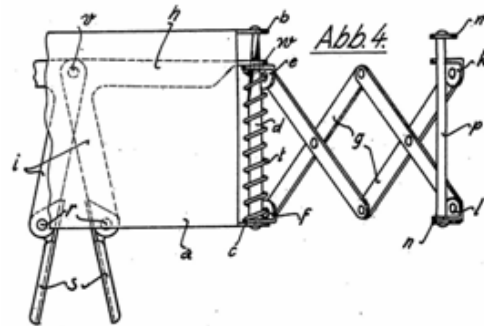
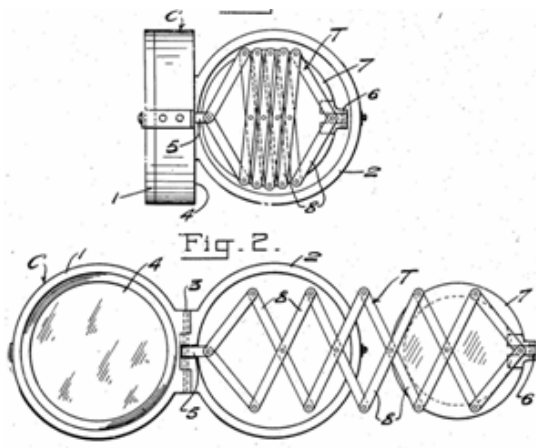
This place covers:

Illustrative examples of subject matter classified in this group.



A45D 42/20**with lazy-tongs connection****Definition statement***This place covers:*

Illustrative examples of subject matter classified in this group.

**A45D 42/22****Metal mirrors****References****Informative references***Attention is drawn to the following places, which may be of interest for search:*

Dentists' mirrors	A61B 1/247
-------------------	----------------------------

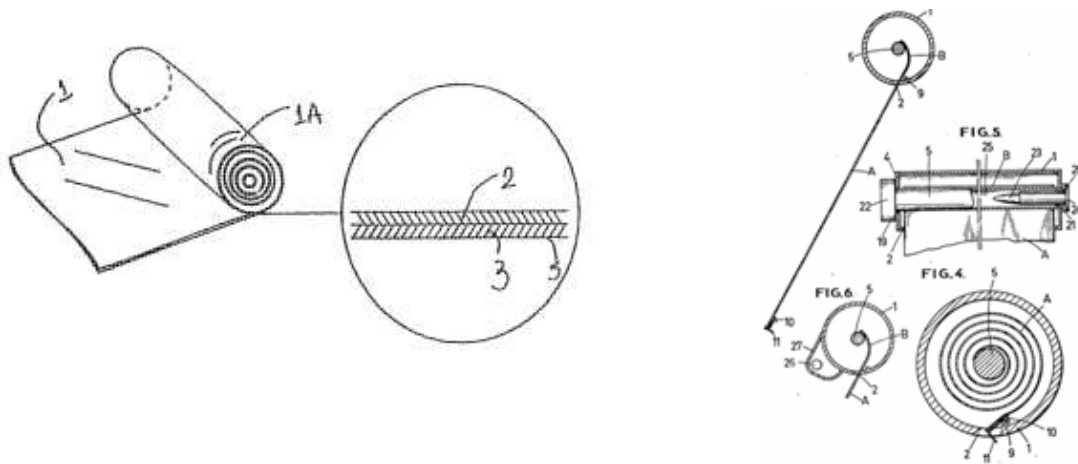
A45D 42/24

Flexible mirrors

Definition statement

This place covers:

Illustrative examples of subject matter classified in this group.



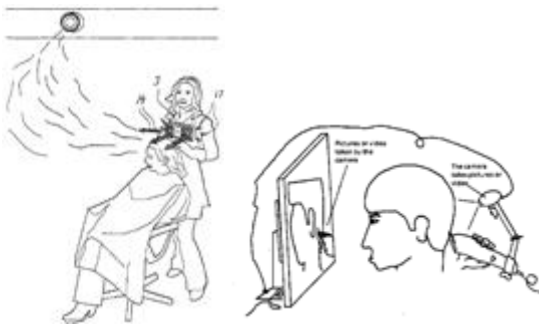
A45D 44/00

Other cosmetic or toiletry articles, e.g. for hairdressers' rooms

Definition statement

This place covers:

Illustrative examples of subject matter classified in this group.



References

Informative references

Attention is drawn to the following places, which may be of interest for search:

Body washing or cleaning implements	A47K 7/00
Cosmetic or similar toiletry preparations	A61K 8/00
Devices for applying media, e.g. remedies, on the human body	A61M 35/00
Preparations for care of the skin	A61Q 19/00
Mixers	B01F
Coin-freed apparatus for washing or drying persons	G07F 17/18

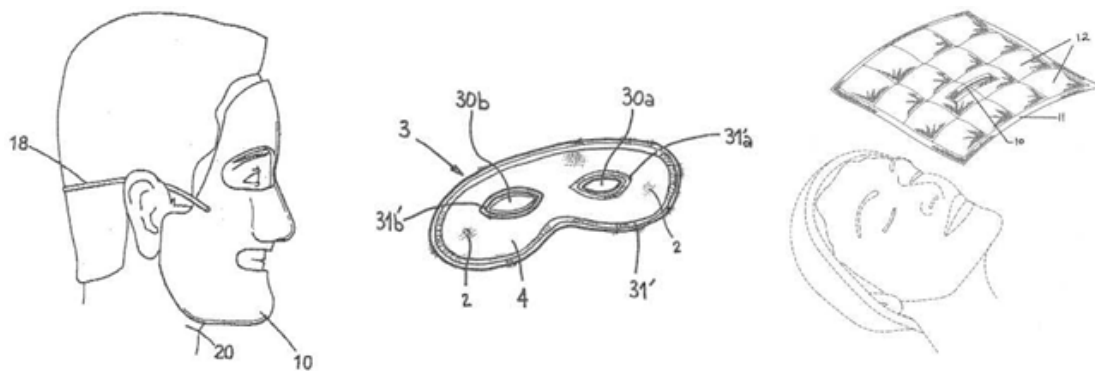
A45D 44/002

{Masks for cosmetic treatment of the face}

Definition statement

This place covers:

Illustrative examples of subject matter classified in this group.



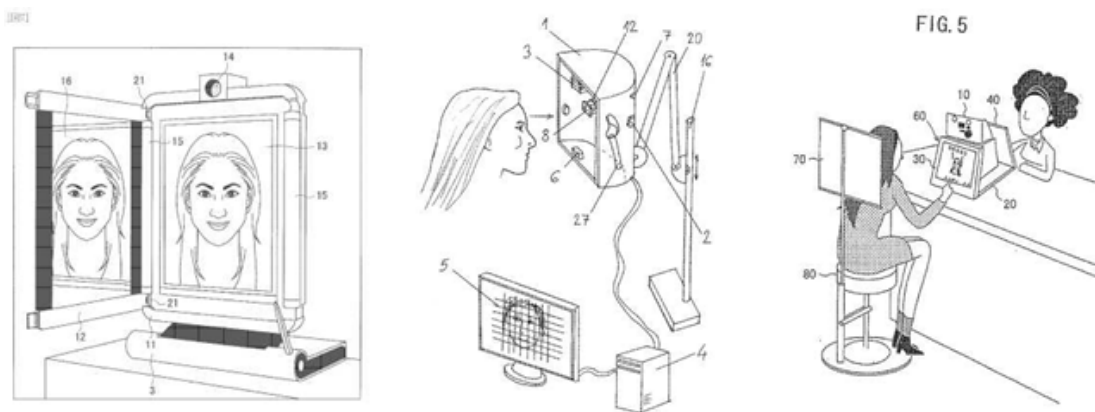
A45D 44/005

{for selecting or displaying personal cosmetic colours or hairstyle}

Definition statement

This place covers:

Illustrative examples of subject matter classified in this group.



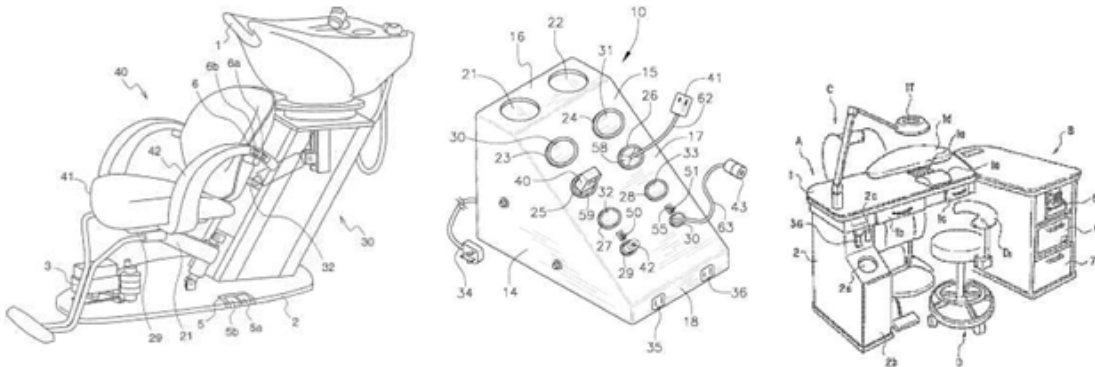
A45D 44/02

Furniture or other equipment specially adapted for hairdressers' rooms and not covered elsewhere (hairdressers' chairs [A47C 1/04](#))

Definition statement

This place covers:

Illustrative examples of subject matter classified in this group.



References

Limiting references

This place does not cover:

Hairdressers' chairs	A47C 1/04
----------------------	---------------------------

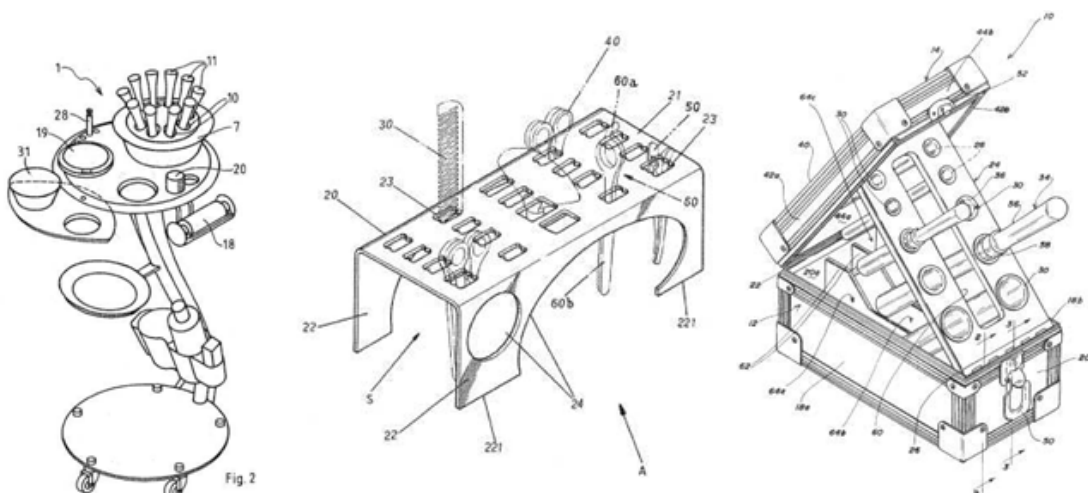
A45D 44/04

Special adaptations of portable frames or racks

Definition statement

This place covers:

Illustrative examples of subject matter classified in this group.



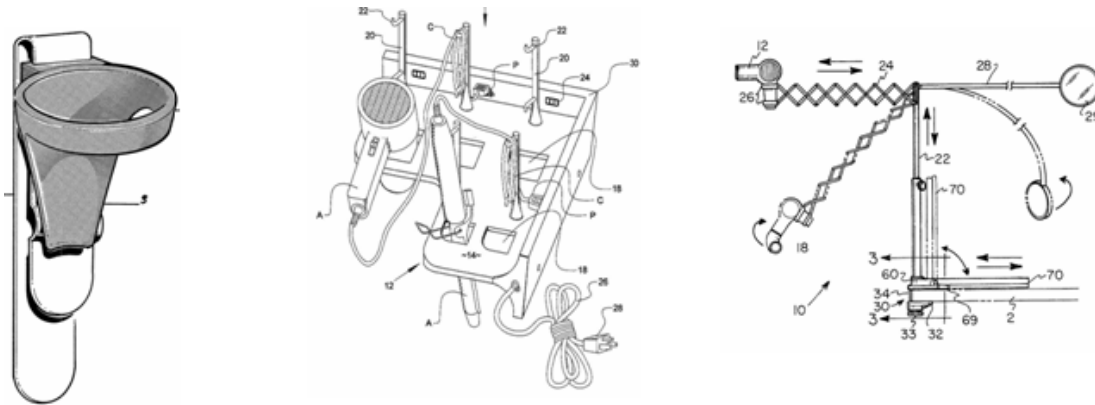
A45D 44/06

Means specially adapted for suspending hairdressers' machines, e.g. trolleys for electro-motors

Definition statement

This place covers:

Illustrative examples of subject matter classified in this group.



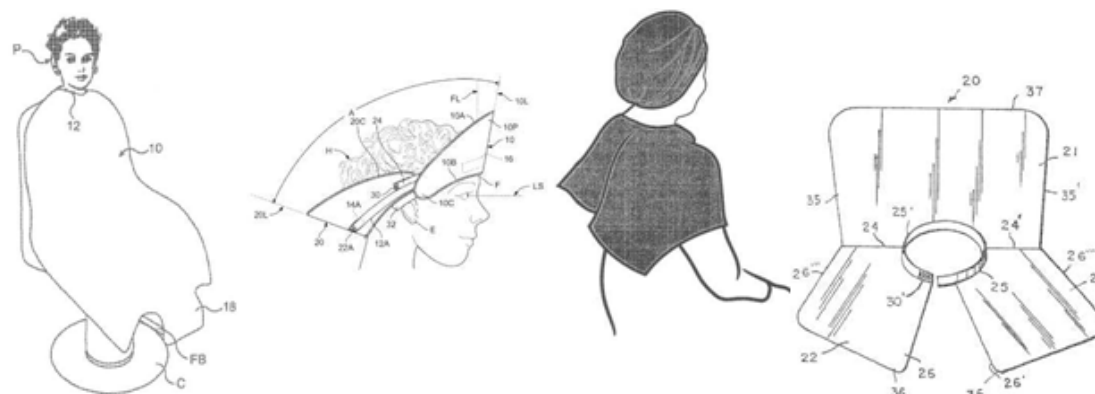
A45D 44/08

Protecting mantles; Shoulder-shields; Collars; Bibs

Definition statement

This place covers:

Illustrative examples of subject matter classified in this group.



References

Limiting references

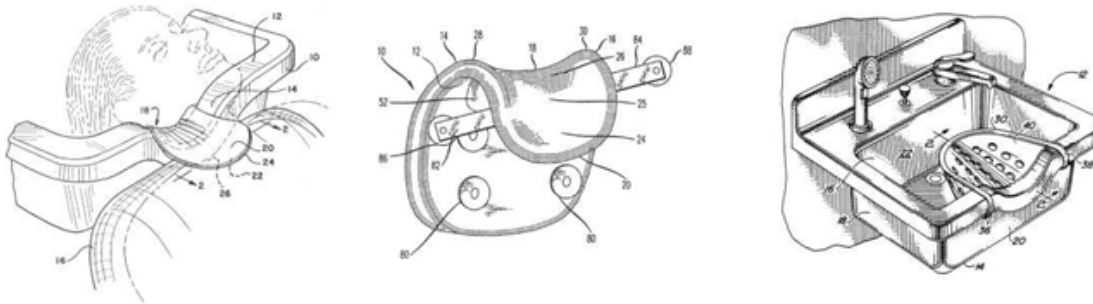
This place does not cover:

Wearing apparel in general	A41
Hairdressers' coats	A41D 13/00

A45D 44/10**Head-rests; Neck-rests****Definition statement**

This place covers:

Illustrative examples of subject matter classified in this group.

**References****Limiting references**

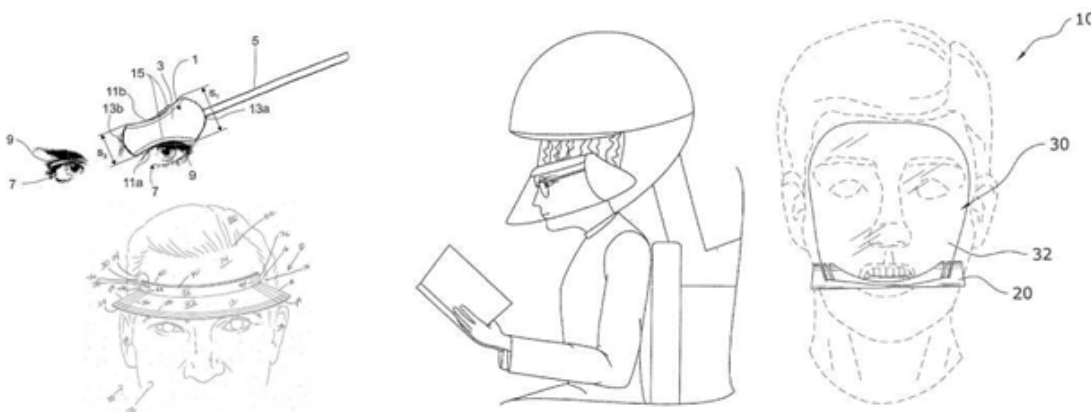
This place does not cover:

Combined with chairs	A47C 1/10 , A47C 7/36
----------------------	---

A45D 44/12**Ear, face, or lip protectors (shaving masks [A45D 27/42](#))****Definition statement**

This place covers:

Illustrative examples of subject matter classified in this group.

**References****Limiting references**

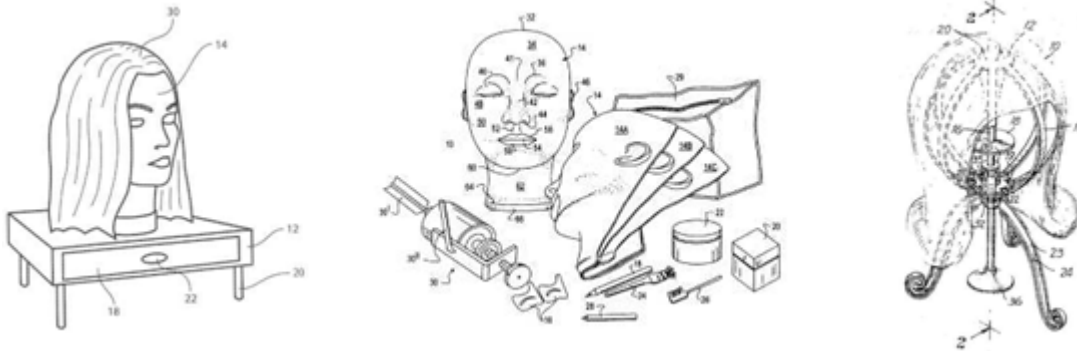
This place does not cover:

Shaving masks	A45D 27/42
---------------	----------------------------

A45D 44/14**Stands for performing hairdressing work; Postiche heads****Definition statement**

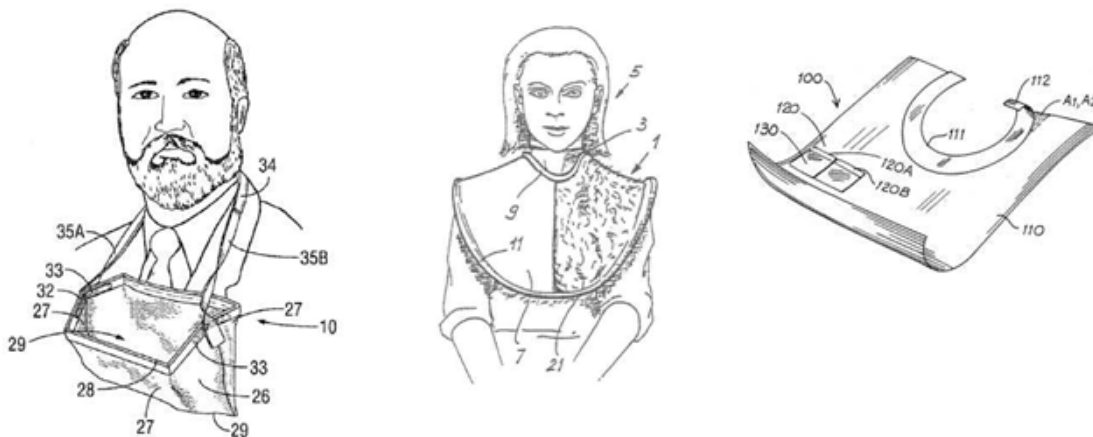
This place covers:

Illustrative examples of subject matter classified in this group.

**A45D 44/16****Hair-collecting boxes or containers for the same purpose {; Hair collecting devices, e.g. with suction means}****Definition statement**

This place covers:

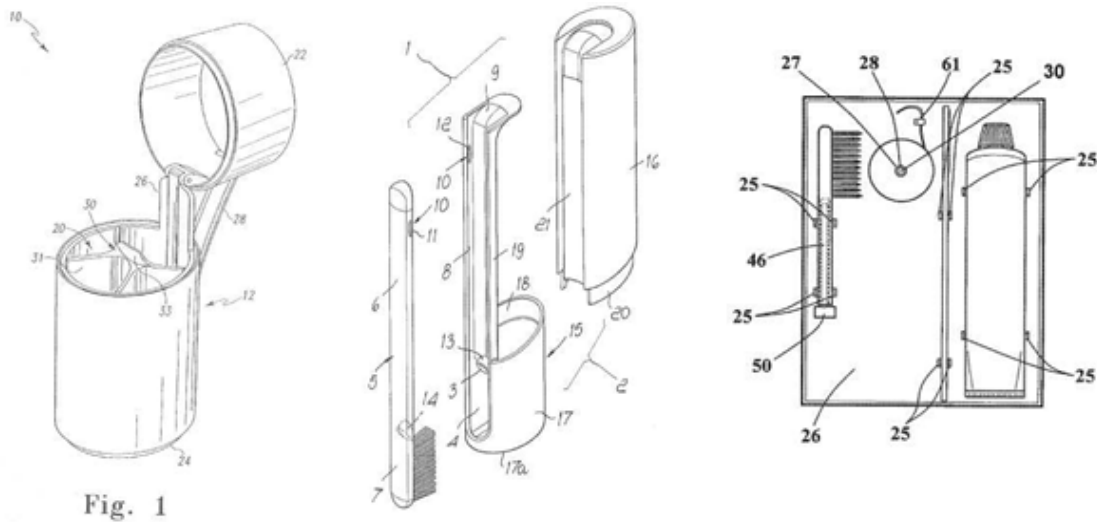
Illustrative examples of subject matter classified in this group.



A45D 44/18**Receptacles for hair brushes or tooth brushes as travelling equipment****Definition statement**

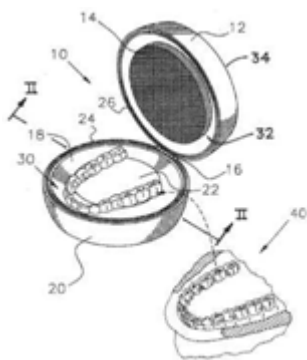
This place covers:

Illustrative examples of subject matter classified in this group.

**A45D 44/20****Containers for storing artificial teeth****Definition statement**

This place covers:

Illustrative examples of subject matter classified in this group.



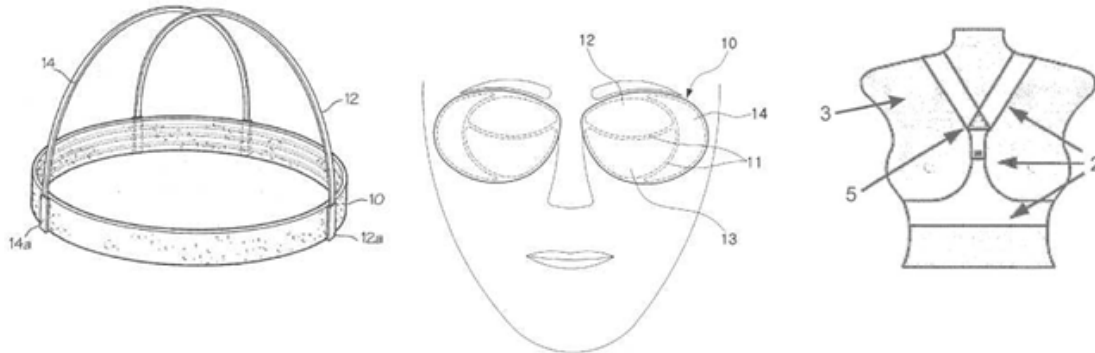
A45D 44/22

Face shaping devices, e.g. chin straps; Wrinkle removers, e.g. stretching the skin (skin stretchers for shaving [A45D 27/38](#))

Definition statement

This place covers:

Illustrative examples of subject matter classified in this group.



References

Limiting references

This place does not cover:

Skin stretchers for shaving	A45D 27/38
For medical or surgical purposes	A61