

A45F

TRAVELLING OR CAMP EQUIPMENT: SACKS OR PACKS CARRIED ON THE BODY

Definition statement

This place covers:

- Devices for carrying articles on the body of a person, e.g. for travelling.
- Travelling articles for personal use to be carried by not more than one person.
- Backpacks.
- Harnesses.
- Holders for carrying articles on the body, garment or belt of a person.
- Travelling or camp articles such as water-bottles, mess-tins, cups, hammocks and accessories for them, hanging seats, picnic sets, sewing kits, map cases, nets affording protection against insects;
- Travelling or camp articles which may be converted into articles for other use, e.g. coats or capes convertible into tent coverings
- Sacks or packs carried on the body by means of one strap passing over the shoulder or by means of two straps passing over the two shoulders including sacks or packs specially adapted for military purposes;
- Sacks and packs specially adapted for children, e.g. for schoolchildren;
- Carrying-frames and frames combined with sacks; carrying-straps, e.g. with adjustable fastenings of straps or belts; shoulder-pads;
- Sacks or packs carried on the body and convertible into other articles e.g. into tents, beds or mattresses, hammocks, litters or sleeping-bags, boats, sledges, coats or capes
- Holders or carriers for hand articles and holders or carriers for use while travelling or camping, such as fastening articles to the garment, handles, book-carriers; holders for spades, hatchets or the like

Relationships with other classification places

Travelling or camp equipment is normally classified in the classes for the equipment concerned, e.g. in subclasses [A47B](#) (for example, travelling or trunk tables [A47B 3/10](#); tables specially adapted for use in the open air [A47B 37/04](#)), [A47C](#) (for example, travelling or camp beds [A47C 17/64](#); suspended beds [A47C 17/84](#), foldable, collapsible or dismantable chairs [A47C 4/00](#), camp, travelling, or sports stools [A47C 9/10](#)), [A47G](#) (for example, travelling rugs [A47G 9/06](#); sleeping bags [A47G 9/08](#)), [A47J](#) (for example, camp cooking devices [A47J 33/00](#), [A47J 36/26](#)).

References

Informative references

Attention is drawn to the following places, which may be of interest for search:

Hand implements for working earth, e.g. shovels, picks	A01B 1/00
Veils	A01K 55/00
Outerwear; Protective garments	A41D
Boxes for needles or pins	A41H 19/00
Hand carried bags or luggage	A45C
Picnic boxes	A45C 11/20
Handles for suitcases or bags	A45C 13/26
Straps, bands as travelling accessories	A45C 13/30
Wheeled carriers	A45C 13/38

Bags for golf clubs	A63B
Camping vehicles	B60P 3/32
Foldable sledges	B62B 13/16
Foldable vessels	B63B 7/00
Rigid or semi-rigid containers	B65D 1/00
Sacks, bags or like containers	B65D 29/00 , B65D 31/00
Devices for moving or tilting heavy loads	B65G
Transportable devices to obtain potable water	C02F 1/18
Matches for starting fires	C06F 5/00
Tools, implements, or accessories for hand sewing	D05B 91/00
Tents convertible, e.g. from one type tent to another type tent	E04H 15/30
Stands or trestles as supports for apparatus or articles placed thereon	F16M 11/00
Portable lighting	F21L
Stoves with special adaptation for travelling, e.g. collapsible: stoves in which the type of fuel or energy supply is not specified	F24C 1/16
stoves for gaseous fuels	F24C 3/14
stoves for liquid fuels	F24C 5/20
stoves heated by electric energy	F24C 7/10
Portable water heaters	F24H 1/06
Means for wearing or carrying smallarms	F41C
Gun-slings	F41C 33/00
Arrangements for carrying mobile phones	H04B

Glossary of terms

In this place, the following terms or expressions are used with the meaning indicated:

Knapsack	A bag with shoulder straps, carried on the back
----------	---

Synonyms and Keywords

In patent documents, the following words/expressions are often used as synonyms:

- "water-bottle ", "canteen" and "flask";
- "knapsack", "sack", "pack", "backpack" and "rucksack"

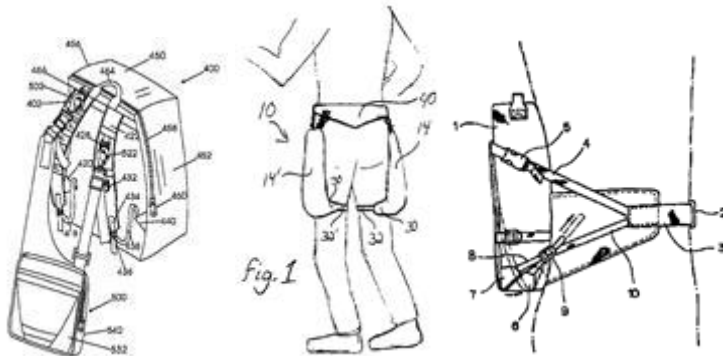
A45F 3/00

Travelling or camp articles (travelling rugs [A47G 9/06](#)); Sacks or packs carried on the body (convertible into other articles [A45F 4/00](#))

Definition statement

This place covers:

Illustrative example of subject matter classified in [A45F 3/00](#):



References

Limiting references

This place does not cover:

Sacks or packs carried on the body, convertible into other articles	A45F 4/00
Travelling rugs	A47G 9/06

Informative references

Attention is drawn to the following places, which may be of interest for search:

Holder or carriers for hand articles	A45F 5/00
Baby-carriers	A47D
Bags for golf clubs	A63B

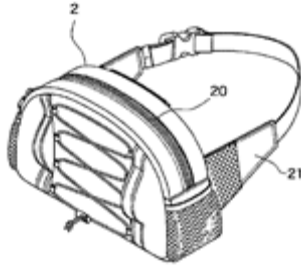
A45F 3/005

{Sacks or packs carried on the body by means of a single strap around the waist}

Definition statement

This place covers:

Illustrative example of subject matter classified in [A45F 3/005](#)



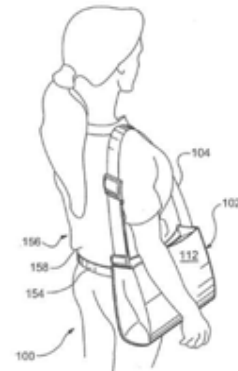
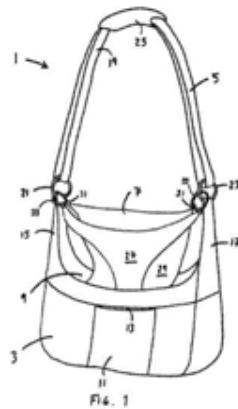
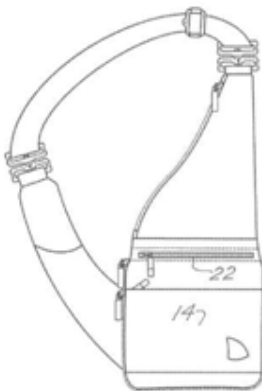
A45F 3/02

Sacks or packs carried on the body by means of one strap passing over the shoulder

Definition statement

This place covers:

Illustrative example of subject matter classified in [A45F 3/02](#)



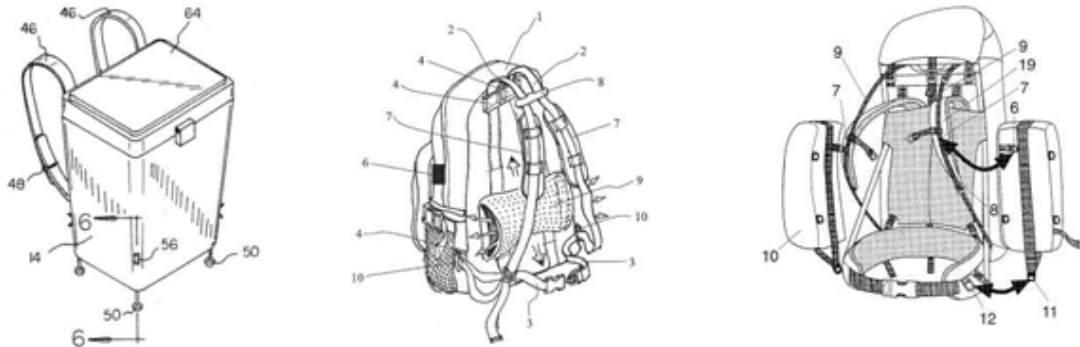
A45F 3/04

Sacks or packs carried on the body by means of two straps passing over the two shoulders

Definition statement

This place covers:

Illustrative example of subject matter classified in [A45F 3/04](#)



References

Informative references

Attention is drawn to the following places, which may be of interest for search:

Bags for golf clubs	A63B 55/00
---------------------	----------------------------

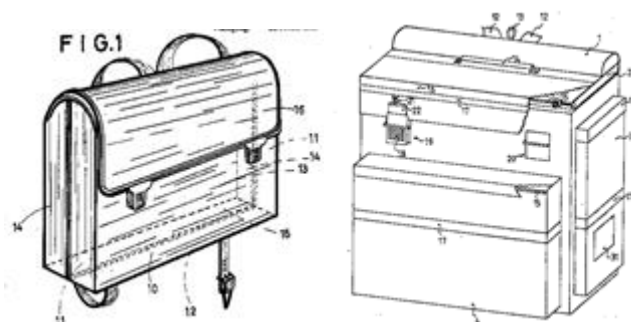
A45F 3/042

{specially adapted for school children}

Definition statement

This place covers:

Illustrative example of subject matter classified in [A45F 3/042](#)



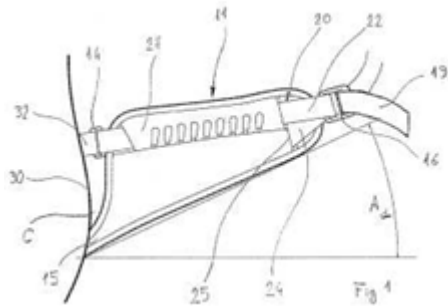
A45F 3/047

{with adjustable fastenings for the shoulder straps or waist belts}

Definition statement

This place covers:

Illustrative example of subject matter classified in [A45F 3/047](#)



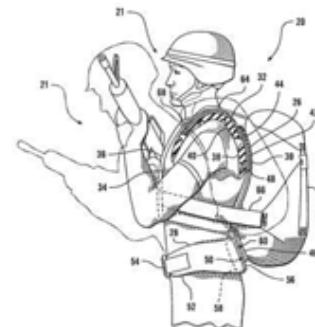
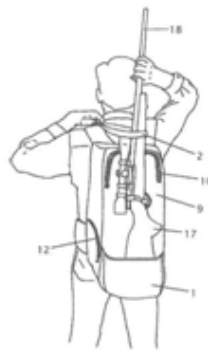
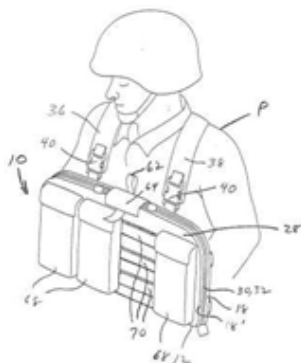
A45F 3/06

specialy adapted for military purposes

Definition statement

This place covers:

Illustrative example of subject matter classified in [A45F 3/06](#)



References

Informative references

Attention is drawn to the following places, which may be of interest for search:

Means for wearing or carrying smallarms	F41C 33/00
---	----------------------------

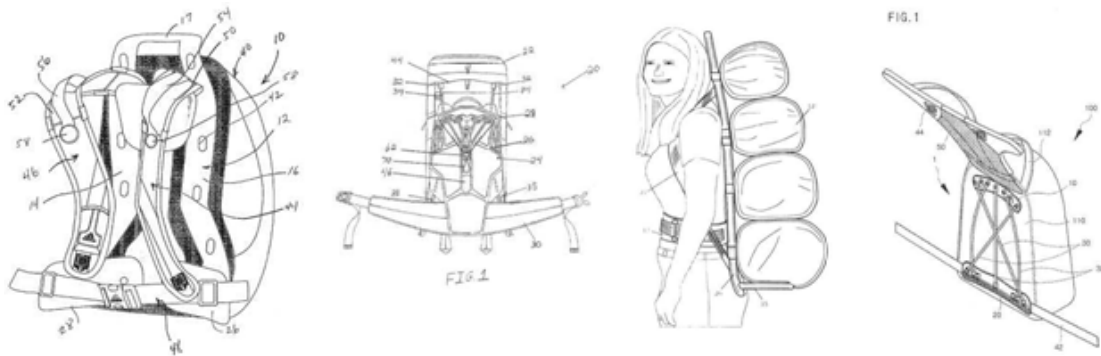
A45F 3/08

Carrying-frames; Frames combined with sacks

Definition statement

This place covers:

Illustrative example of subject matter classified in [A45F 3/08](#)



References

Informative references

Attention is drawn to the following places, which may be of interest for search:

Wheeled carriers	A45C 13/38
------------------	----------------------------

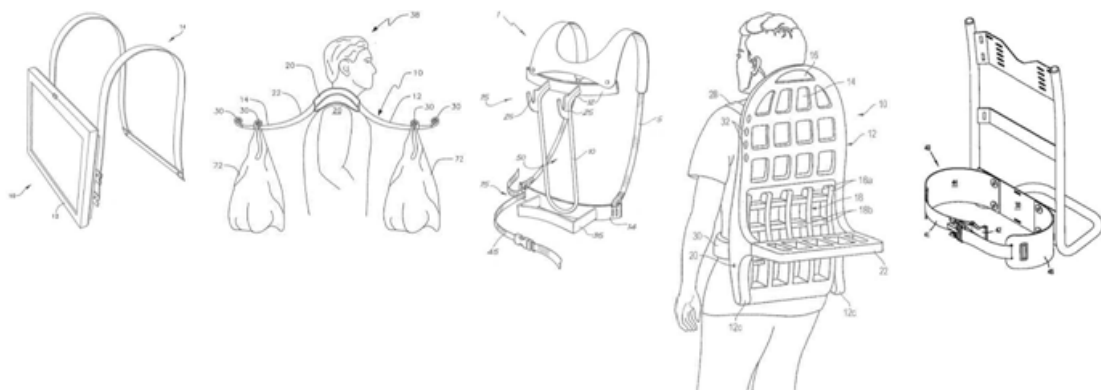
A45F 3/10

Pack-frames carried on the body

Definition statement

This place covers:

Illustrative example of subject matter classified in [A45F 3/10](#)



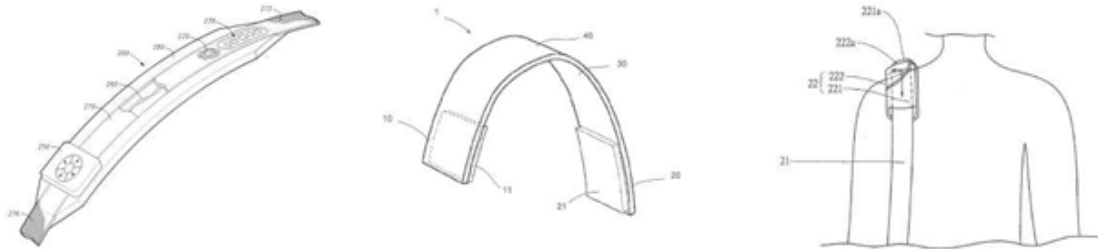
A45F 3/12

Shoulder-pads

Definition statement

This place covers:

Illustrative example of subject matter classified in [A45F 3/12](#)



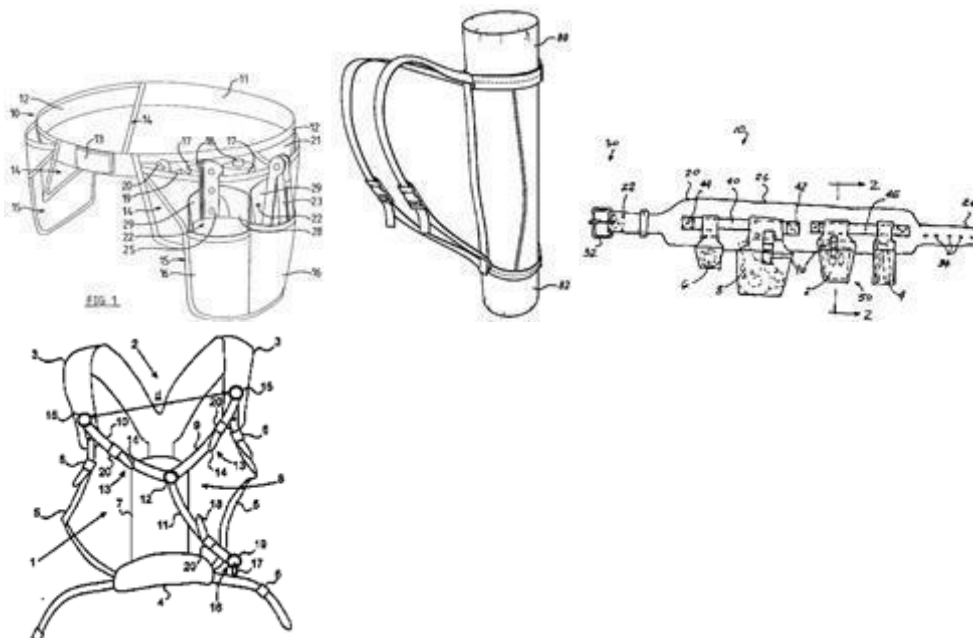
A45F 3/14

Carrying-straps; Pack-carrying harnesses

Definition statement

This place covers:

Straps or harnesses for carrying articles which are not too heavy, i.e. articles which do not have to be carried by more than one person



References

Informative references

Attention is drawn to the following places, which may be of interest for search:

Carriers for heavy loads	B65G 7/12
Means for wearing or carrying smallarms	F41C 33/00

Cords, straps or harnesses for musical instruments	G10G 5/005
--	----------------------------

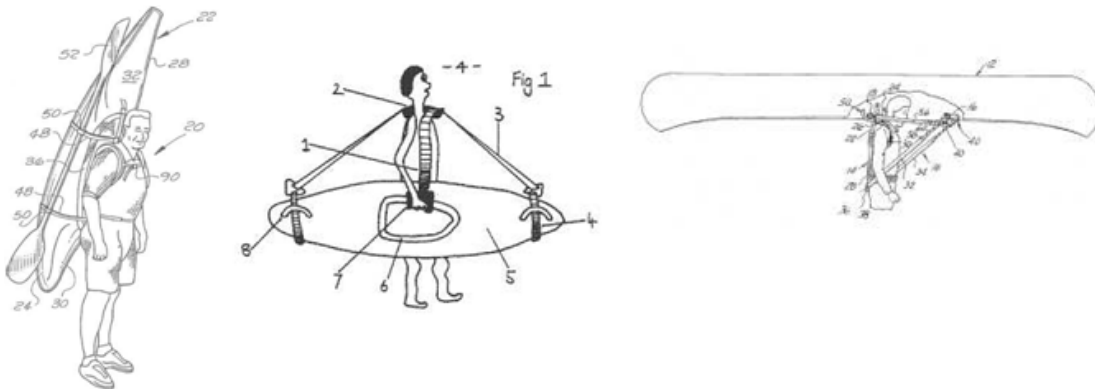
A45F 3/15

Harnesses specially adapted for carrying small boats

Definition statement

This place covers:

Illustrative example of subject matter classified in [A45F 3/15](#)



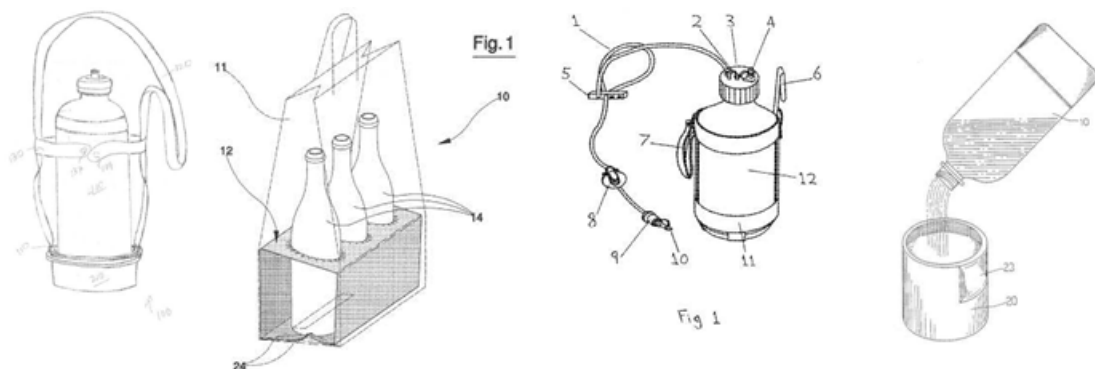
A45F 3/16

Water-bottles; Mess-tins; Cups

Definition statement

This place covers:

Illustrative example of subject matter classified in [A45F 3/16](#)



References

Informative references

Attention is drawn to the following places, which may be of interest for search:

Drinking straws as tableware	A47G
Closures with discharging devices	B65D 47/00

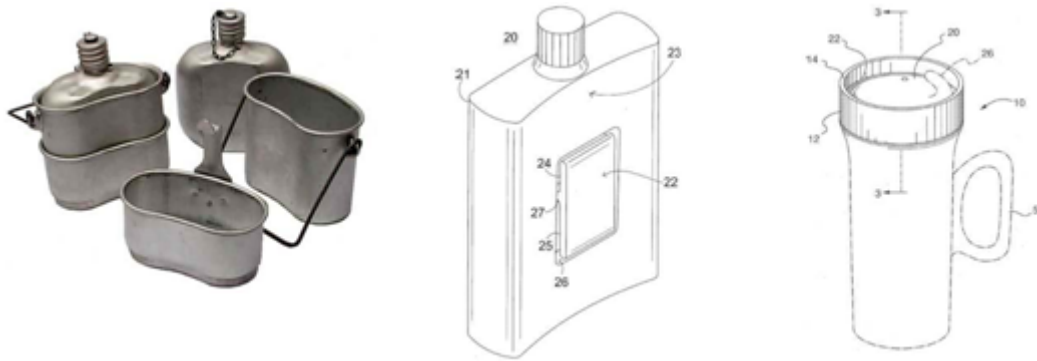
A45F 3/18

of rigid material

Definition statement

This place covers:

Illustrative example of subject matter classified in [A45F 3/18](#)



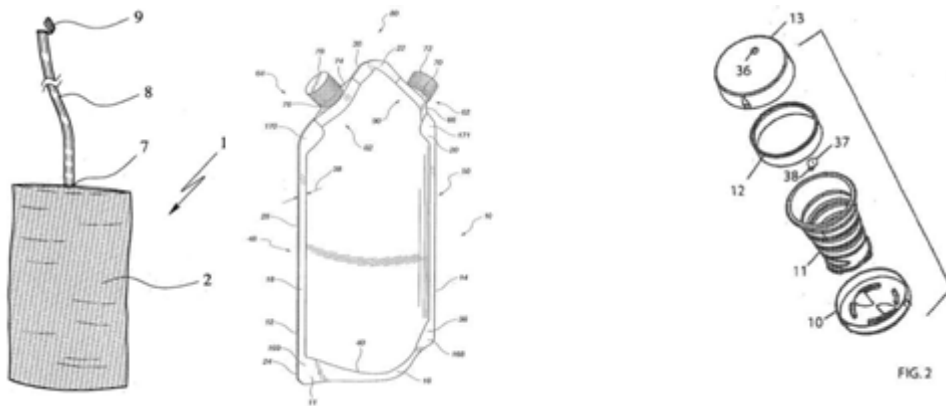
A45F 3/20

of flexible material; Collapsible or stackable cups

Definition statement

This place covers:

Illustrative example of subject matter classified in [A45F 3/20](#)



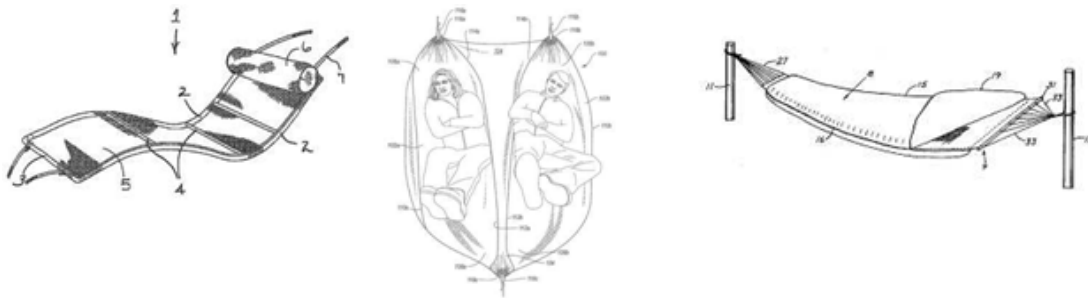
A45F 3/22

Hammocks; Hammock spreaders

Definition statement

This place covers:

Illustrative example of subject matter classified in [A45F 3/22](#)



Hammocks suspended between two supporting means, e.g. trees

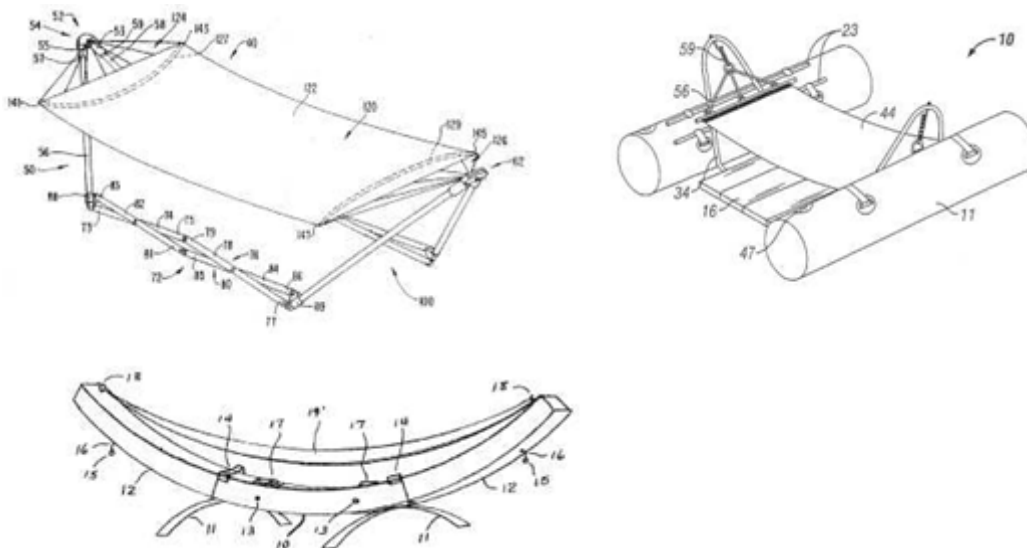
A45F 3/24

Stands; Supports

Definition statement

This place covers:

Illustrative example of subject matter classified in [A45F 3/24](#)



Portable devices, i.e. not permanently assembled to a wall or to the ground, for supporting the suspension of a hammock

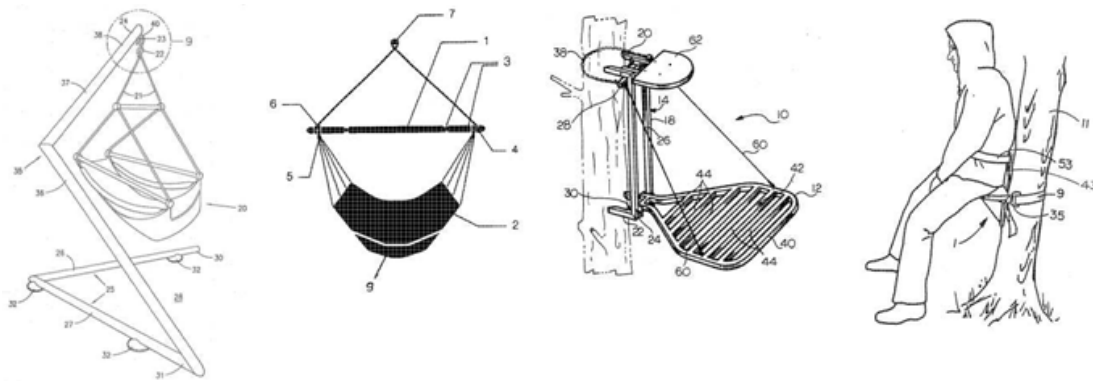
A45F 3/26

Hanging seats

Definition statement

This place covers:

Illustrative example of subject matter classified in [A45F 3/26](#)



References

Informative references

Attention is drawn to the following places, which may be of interest for search:

Shooting stands for hunting	A01M 31/02
Rocking chairs pivotally mounted in a frame; Swings	A47C 3/0255

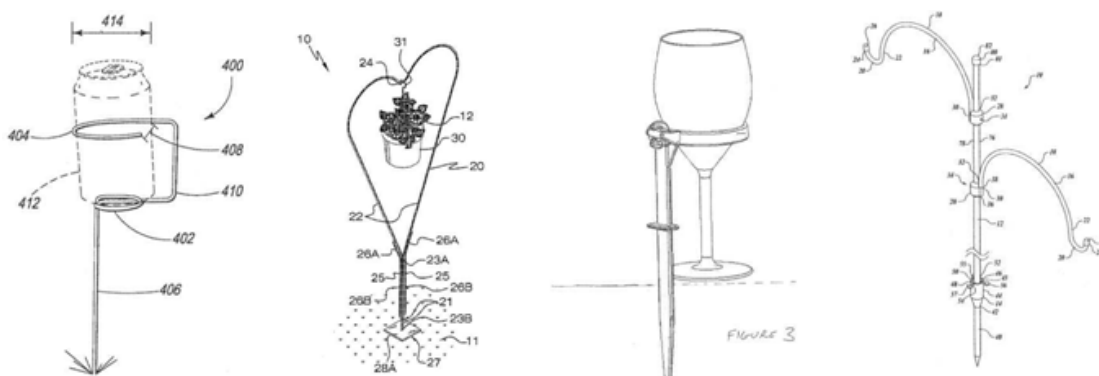
A45F 3/44

Article supports adapted to be stuck into the ground {(posts driven into the ground [E04H 12/2215](#))}

Definition statement

This place covers:

Illustrative example of subject matter classified in [A45F 3/44](#)



References

Limiting references

This place does not cover:

Posts driven into the ground	E04H 12/2215
------------------------------	------------------------------

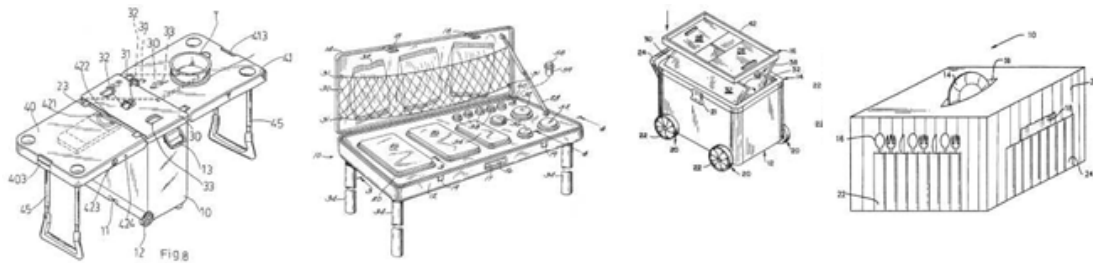
A45F 3/46

Picnic sets (picnic boxes [A45C 11/20](#))

Definition statement

This place covers:

Illustrative example of subject matter classified in [A45F 3/46](#)



References

Limiting references

This place does not cover:

Picnic boxes	A45C 11/20
--------------	----------------------------

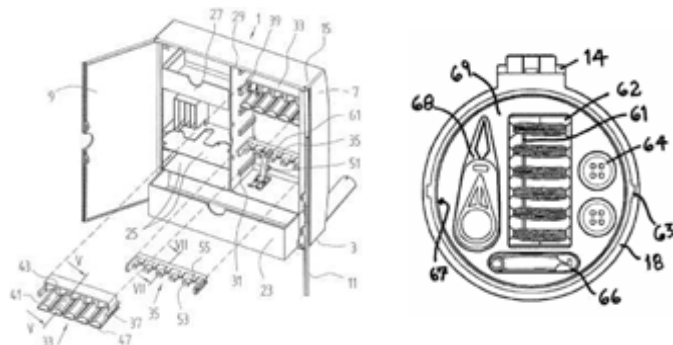
A45F 3/48

Sewing kits

Definition statement

This place covers:

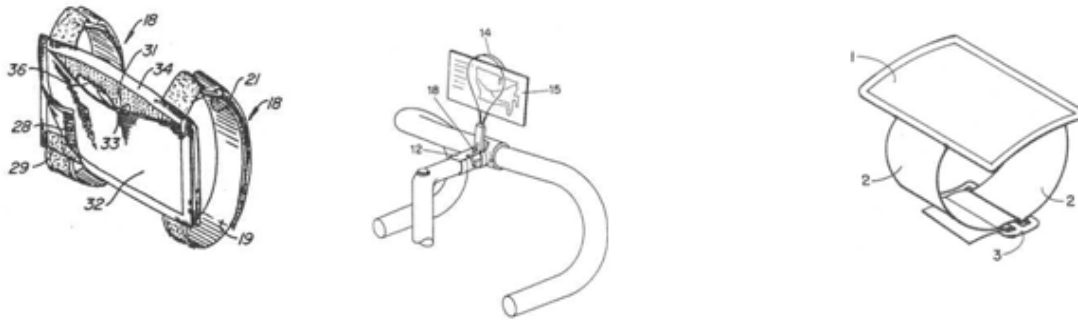
Illustrative example of subject matter classified in [A45F 3/48](#)



A45F 3/50**Map-cases used as travelling equipment****Definition statement**

This place covers:

Illustrative example of subject matter classified in [A45F 3/50](#)

**References****Informative references**

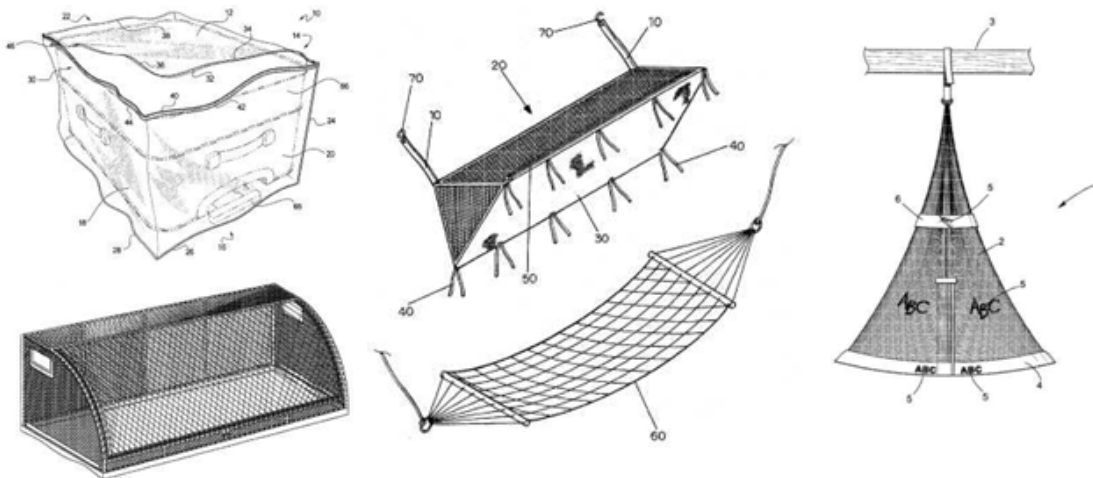
Attention is drawn to the following places, which may be of interest for search:

Holders or cabinets for maps	A47B 97/02
------------------------------	----------------------------

A45F 3/52**Nets affording protection against insects****Definition statement**

This place covers:

Illustrative example of subject matter classified in [A45F 3/52](#)



Insect nets as travelling equipment

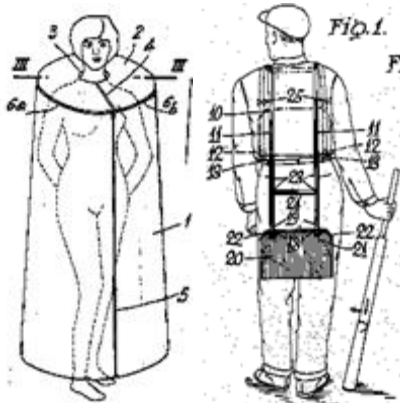
A45F 4/00

Travelling or camp articles which may be converted into {other} articles {or into objects} for other use; Sacks or packs carried on the body and convertible into other articles {or into objects for other use}

Definition statement

This place covers:

Illustrative example of subject matter classified in [A45F 4/00](#)



References

Informative references

Attention is drawn to the following places, which may be of interest for search:

Garments convertible into other articles	A41D 15/04
Luggage or bags convertible into objects for other use	A45C 9/00
Foldable chairs	A47C 4/52
Baby-carriers	A47D
Sleeping bags	A47G 9/08

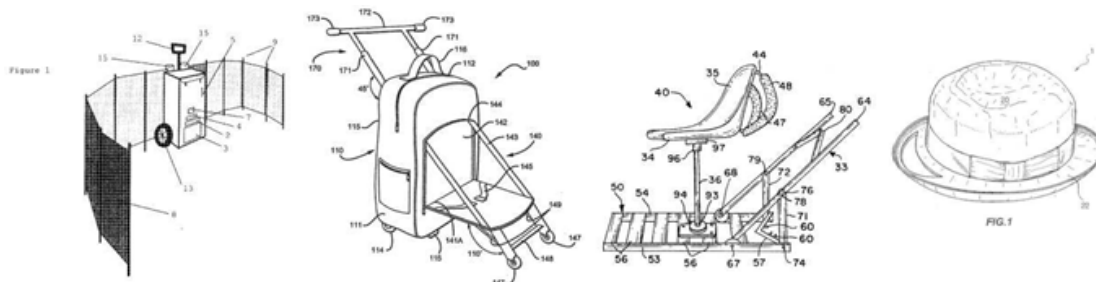
A45F 4/02

Sacks or packs convertible into other articles {or into objects for other use}

Definition statement

This place covers:

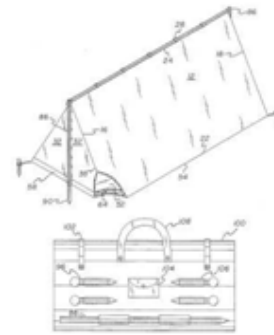
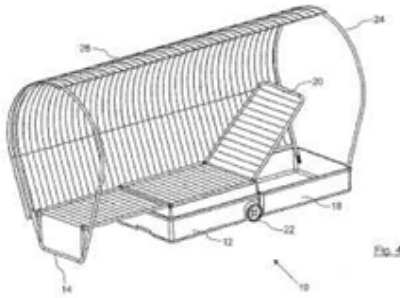
Illustrative example of subject matter classified in [A45F 4/02](#)



A45F 4/04**into tents****Definition statement**

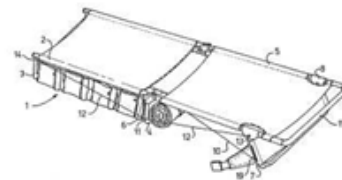
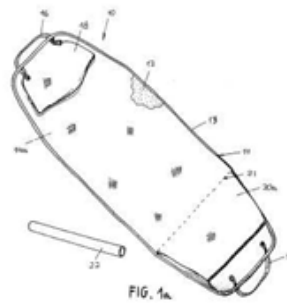
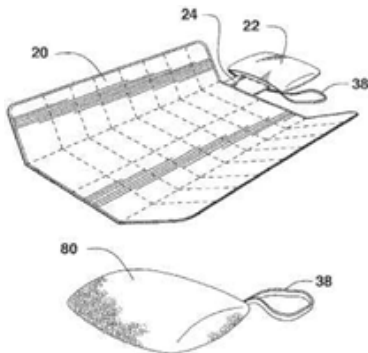
This place covers:

Illustrative example of subject matter classified in [A45F 4/04](#)

**A45F 4/06****into beds or mattresses****Definition statement**

This place covers:

Illustrative example of subject matter classified in [A45F 4/06](#)



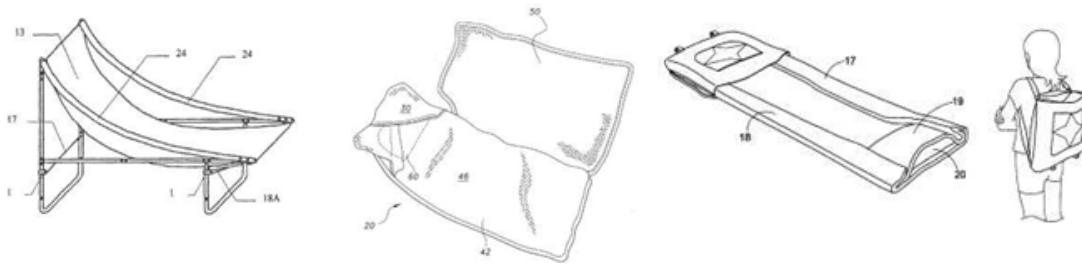
Sacks or packs convertible, e.g. by unfolding, into travelling beds or mattresses

A45F 4/08**into hammocks, litters or sleeping-bags****Definition statement**

This place covers:

Sacks or packs convertible, e.g. by unfolding, into hammocks, litters or sleeping-bags

Illustrative example of subject matter classified in [A45F 4/08](#)



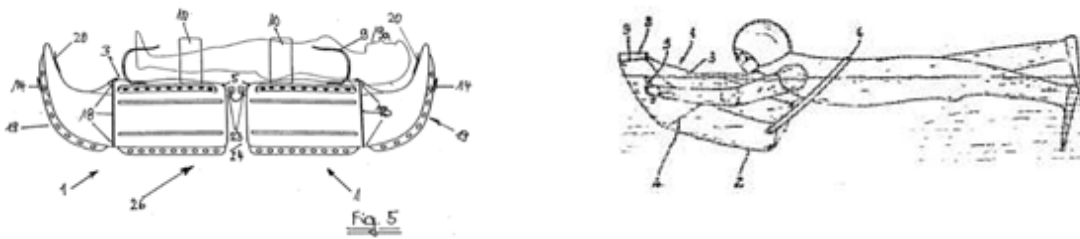
A45F 4/10

into boats or sledges

Definition statement

This place covers:

Illustrative example of subject matter classified in [A45F 4/10](#)



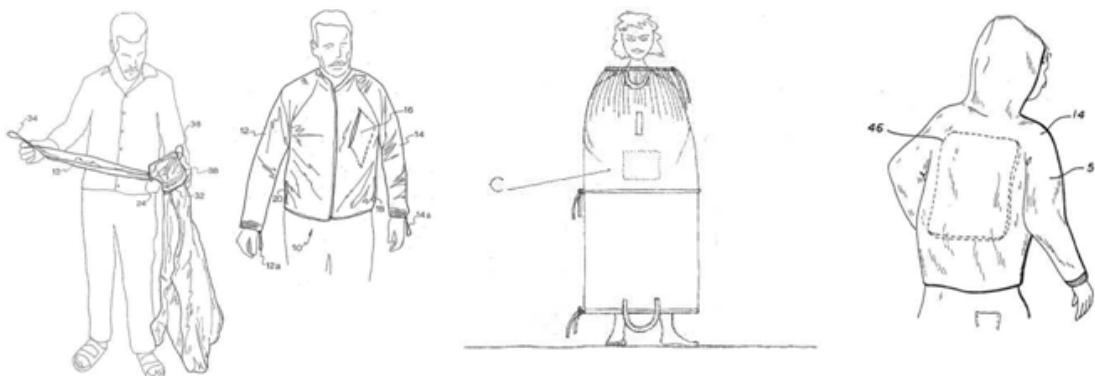
A45F 4/12

into coats or capes

Definition statement

This place covers:

Illustrative example of subject matter classified in [A45F 4/12](#)



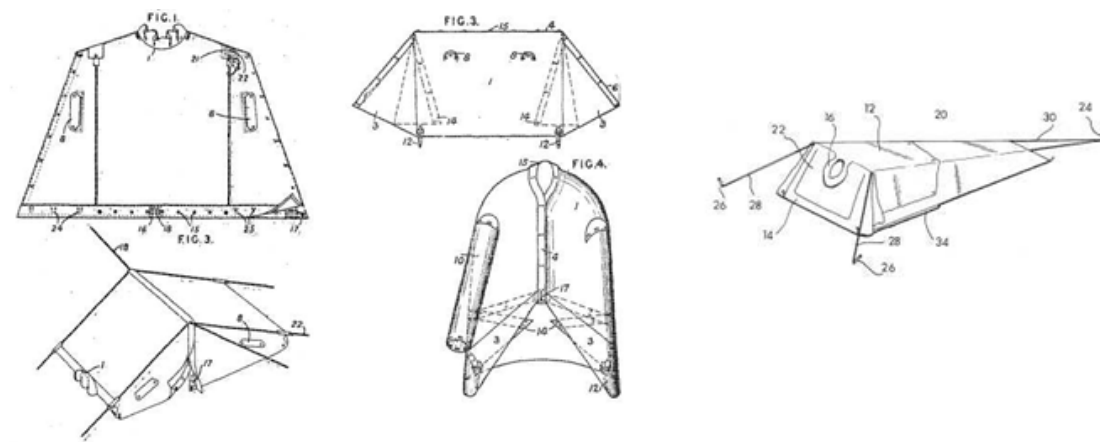
A45F 4/14

Coats or capes convertible into tent coverings

Definition statement

This place covers:

Illustrative example of subject matter classified in [A45F 4/14](#)



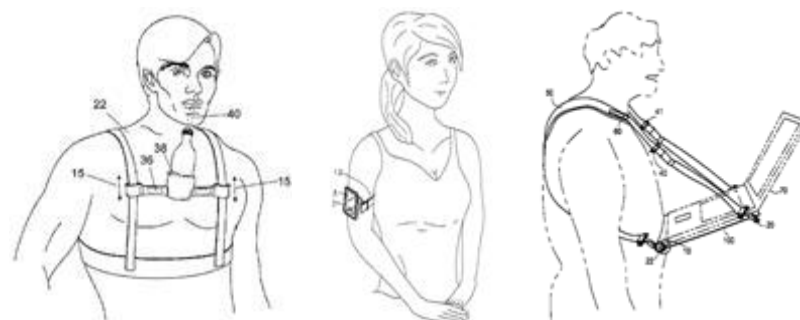
A45F 5/00

HOLDERS or carriers for hand articles; HOLDERS or carriers for use while travelling or camping

Definition statement

This place covers:

Illustrative example of subject matter classified in [A45F 5/00](#)



References

Informative references

Attention is drawn to the following places, which may be of interest for search:

Sacks or packs carried on the body	A45F 3/00
Storage means for work tools	B25H 3/00
Supports for positioning apparatus or articles	F16M 13/00
Wearable computers, e.g. on a belt	G06F 1/163
Cords, straps or harnesses for musical instruments	G10G 5/005

Arrangements for carrying or protecting transceivers	H04B 1/3888
Supports for telephones adapted for use on head, throat or breast	H04M 1/05

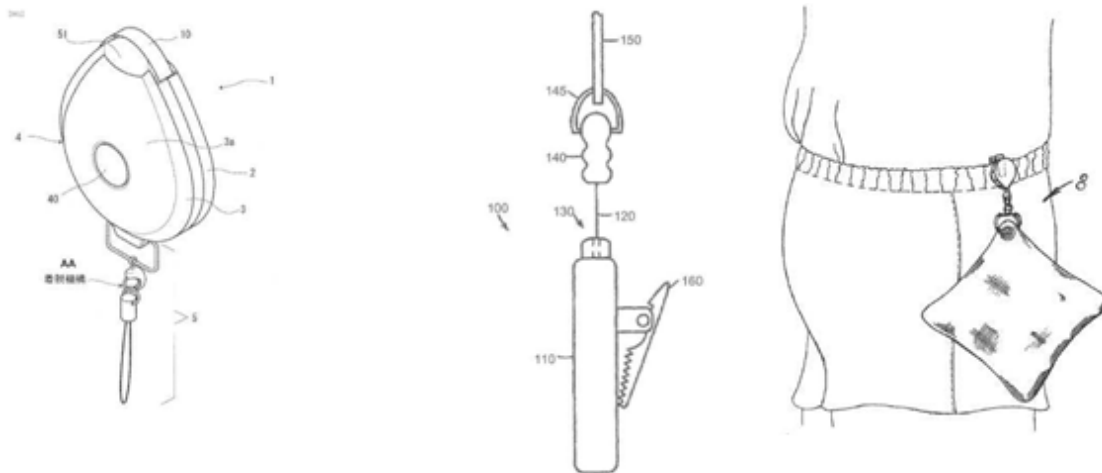
A45F 5/004

{with an automatic spring reel}

Definition statement

This place covers:

Illustrative example of subject matter classified in [A45F 5/004](#)



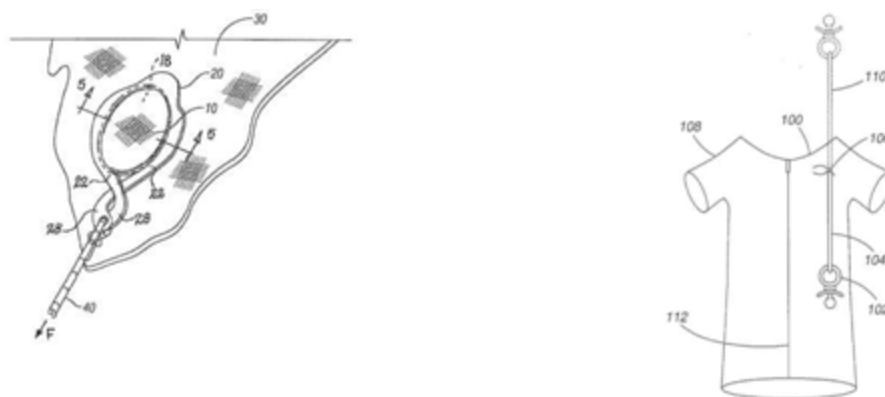
A45F 5/02

Fastening articles to the garment

Definition statement

This place covers:

Illustrative example of subject matter classified in [A45F 5/02](#)



References

Informative references

Attention is drawn to the following places, which may be of interest for search:

Attaching writing implements to wearing apparel or objects involving constructional changes of the implements	B43K 25/00
Means for wearing or carrying small arms	F41C 33/00

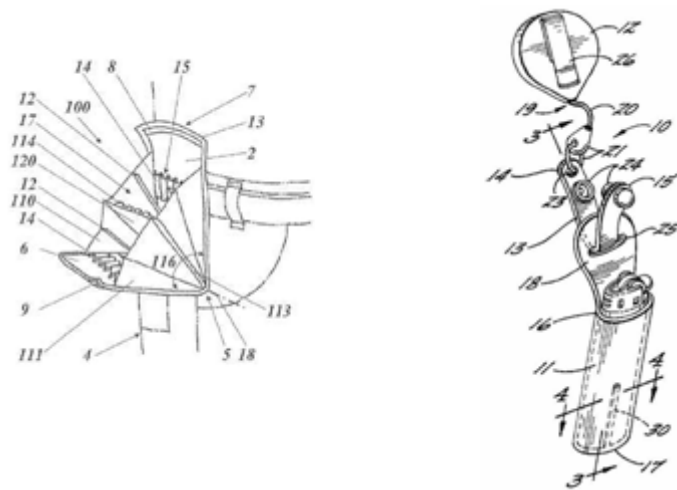
A45F 5/021

{to the belt}

Definition statement

This place covers:

Illustrative example of subject matter classified in [A45F 5/021](#)



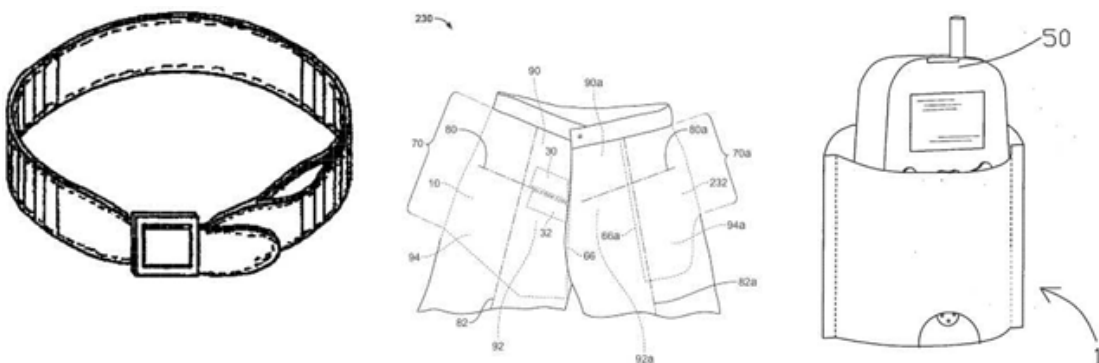
A45F 5/022

{within pockets}

Definition statement

This place covers:

Illustrative example of subject matter classified in [A45F 5/022](#)



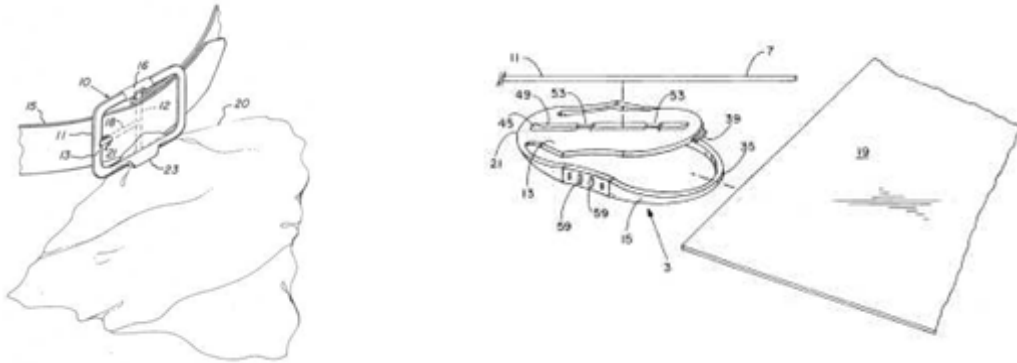
A45F 5/04

Holding handkerchiefs, napkins, or the like

Definition statement

This place covers:

Illustrative example of subject matter classified in [A45F 5/04](#)



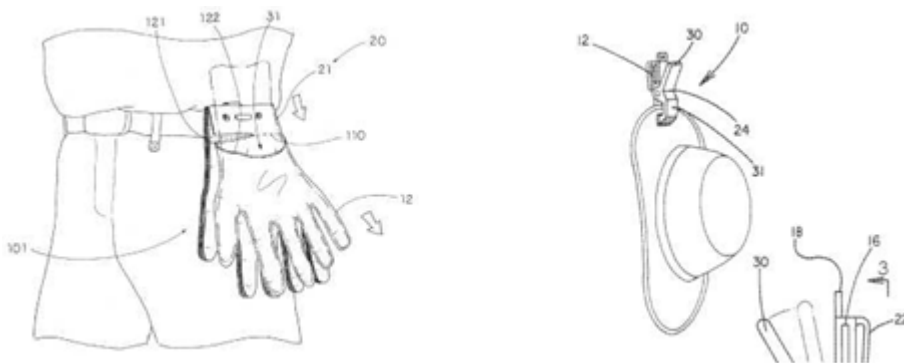
A45F 5/06

Holding hats or other garments

Definition statement

This place covers:

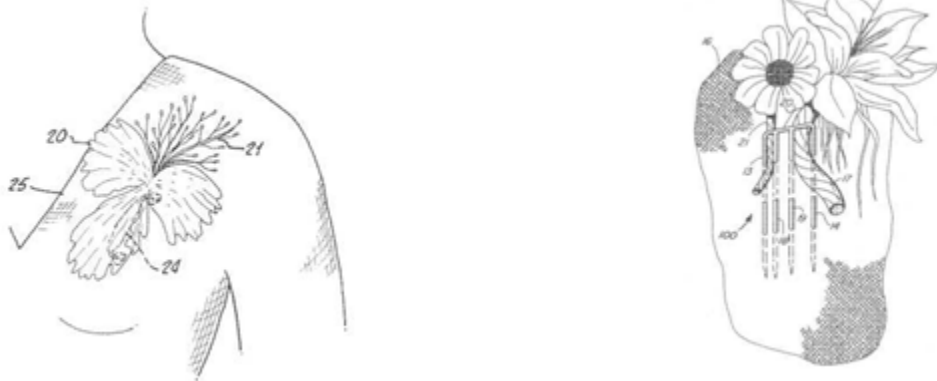
Illustrative example of subject matter classified in [A45F 5/06](#)



A45F 5/08**Holding flowers****Definition statement**

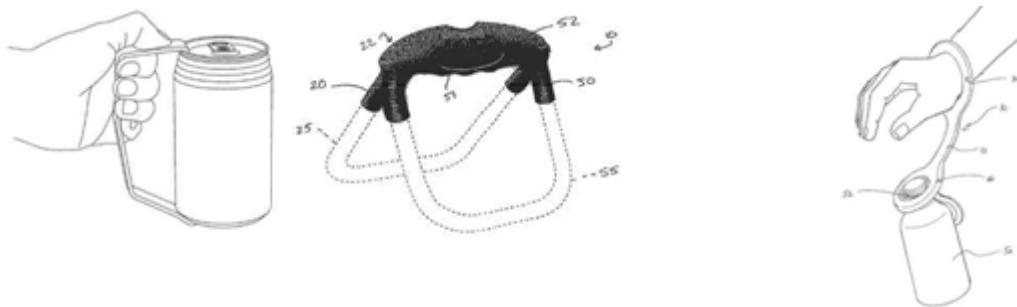
This place covers:

Illustrative example of subject matter classified in [A45F 5/08](#)

**A45F 5/10****Handles for carrying purposes****Definition statement**

This place covers:

Illustrative example of subject matter classified in [A45F 5/10](#)

**References****Informative references**

Attention is drawn to the following places, which may be of interest for search:

Handles for suitcases or travelling bags	A45C 13/26
Handles of sacks or bags	B65D 33/06
Straps provided with handles for bundling or supporting articles	B65D 63/18
For carrying heavy loads	B65G 7/12

A45F 5/102

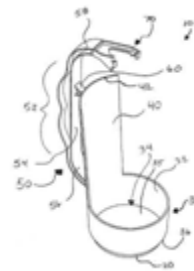
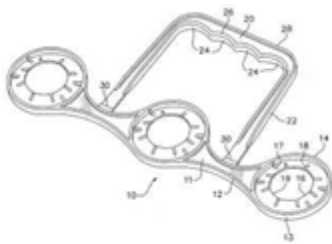
{with means, e.g. a hook, receiving a carrying element of the hand article to be carried}

Definition statement

This place covers:

Illustrative example of subject matter classified in [A45F 5/102](#)

Carrying handles with rigid receiving means, e.g. a hook, for receiving a carrying element, e.g. a rigid handle, of the hand article to be carried.



References

Informative references

Attention is drawn to the following places, which may be of interest for search:

With flexible receiving elements	A45F 2005/1013
Receiving flexible handles of the hand article to be carried	A45F 5/1026

A45F 5/1026

{the carrying element being flexible, e.g. plastic bag handle}

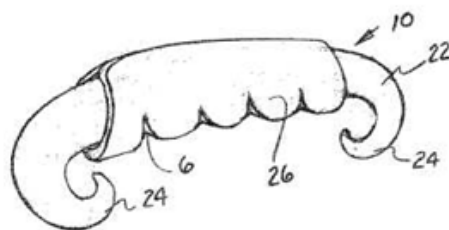
Definition statement

This place covers:

Illustrative example of subject matter classified in [A45F 5/1026](#)



FIG. 5



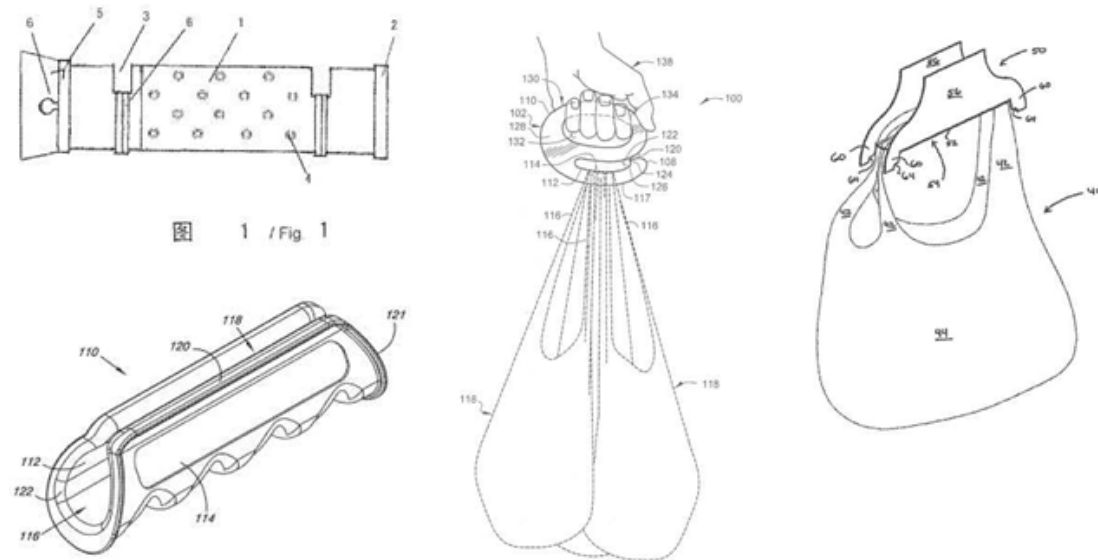
A45F 5/1046

{and supported above the grip surface of the carrying handle}

Definition statement

This place covers:

Illustrative example of subject matter classified in [A45F 5/1046](#)



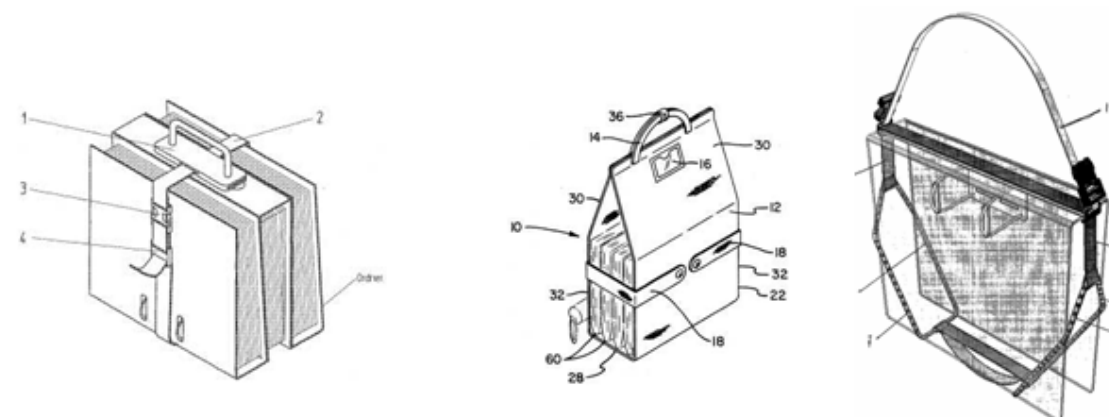
A45F 5/12

Book-carriers

Definition statement

This place covers:

Illustrative example of subject matter classified in [A45F 5/12](#)



A45F 5/14

HOLDERS FOR SPADES, HATCHETS, OR LIKE IMPLEMENTS

Definition statement

This place covers:

Illustrative example of subject matter classified in [A45F 5/14](#)

