

A47D

FURNITURE SPECIALLY ADAPTED FOR CHILDREN (school benches or desks [A47B 39/00](#), [A47B 41/00](#))

Definition statement

This place covers:

All domestic furniture (including baby-carriers and baby-cots) structurally adapted to be used by children, if not provided in other part of the classification.

References

Limiting references

This place does not cover:

School forms; Benches or forms combined with desks	A47B 39/00
School desks or tables	A47B 41/00

Informative references

Attention is drawn to the following places, which may be of interest for search:

Tables; Desks; Cabinets in general	A47B
Chairs; Sofas; Beds in general	A47C
Medical children's beds, chairs or supports	A61G
Vehicle seats for children	B60N 2/26
Hand-carts with adaptations for transporting children	B62B 3/144
Carriages for children	B62B 7/00
Perambulators or strollers	B62B 9/00

A47D 1/00

Children's chairs

References

Informative references

Attention is drawn to the following places, which may be of interest for search:

Children's chair convertible into tables	A47D 11/002
Chairs convertible into children's chairs	A47D 11/02
Rocking chairs for children	A47D 13/10
School forms; Benches or forms combined with desks	A47B 39/00
Chairs in general	A47C
Vehicle seats for children	B60N 2/26
Carriages for children; Perambulators	B62B 7/00 , B62B 9/00

A47D 1/008**{with trays (children's chairs combined with tables [A47D 3/00](#))}****Definition statement***This place covers:*

Subject matter including a chair and an attached tray. The tray is an element having a horizontal surface (at least in an operative or use position) configured to support articles on top of it. In general, the tray is relatively small (a table encircling a chair is not considered a tray; see the references below) so that the supporting structure of the chair and tray is not substantially larger than required to support a chair alone. The tray is attached to only a single chair.

References**Limiting references***This place does not cover:*

Children's chairs combined with tables	A47D 3/00
--	---------------------------

Informative references*Attention is drawn to the following places, which may be of interest for search:*

Combinations of chairs and tables	A47B 83/02
-----------------------------------	----------------------------

A47D 1/0081**{adjustable}****Definition statement***This place covers:*

Subject matter in which the tray can be moved between and fixed in a plurality of use positions relative to the chair seat without the use of tools.

A47D 1/0083**{movable to inoperative position}****Definition statement***This place covers:*

Subject matter in which the tray is movable to a position in which it is not usable, e.g. due to its normally horizontal surface lying in a vertical plane, while remaining attached to the chair.

A47D 1/0085**{removable}****Definition statement***This place covers:*

Subject matter in which the tray is constructed so as to allow separation of the tray from the chair without destroying either one.

A47D 1/02**Foldable chairs {(foldable rocking-chairs [A47D 13/101](#))}****Definition statement***This place covers:*

Subject matter in which the tray is movable to a position in which it is not usable, e.g. due to its normally horizontal surface lying in a vertical plane, while remaining attached to the chair.

References**Limiting references***This place does not cover:*

Foldable rocking-chairs	A47D 13/101
-------------------------	-----------------------------

A47D 1/023**{of high chair type}****Definition statement***This place covers:*

Subject matter in which the seat of the chair is located, in normal use, at a height such that the feet of a seated child are typically at a substantial distance above the surface (e.g. floor) supporting the chair.

A47D 1/10**capable of being suspended from, or attached to, tables or other articles****References****Informative references***Attention is drawn to the following places, which may be of interest for search:*

Vehicle seats for children	B60N 2/26
----------------------------	---------------------------

A47D 3/00**Children's tables {(school forms [A47B 39/00](#); school desks or tables [A47B 41/00](#))}****Definition statement***This place covers:*

Children's tables if not provided in other part of the classification

References**Limiting references***This place does not cover:*

School forms; Benches or forms combined with desks	A47B 39/00
School desks or tables	A47B 41/00

Informative references

Attention is drawn to the following places, which may be of interest for search:

Dressing-tables	A47D 5/00
Children's chairs convertible into tables	A47D 11/002

A47D 3/001

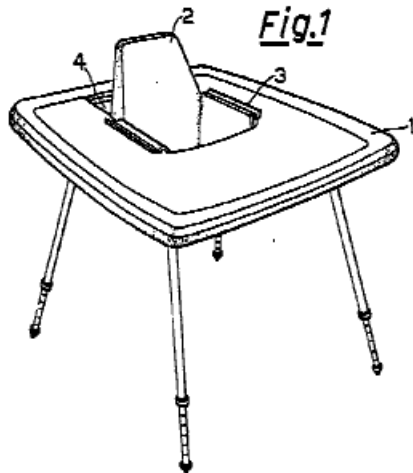
{surrounding the seat}

Definition statement

This place covers:

Subject matter including a table that surrounds a seat attached to the table.

Illustrative example of subject matter classified in [A47D 3/001](#):

**A47D 5/00**

Dressing-tables {or diaper changing supports} for children

References**Informative references**

Attention is drawn to the following places, which may be of interest for search:

Chests of drawers	A47B 67/00
-------------------	----------------------------

A47D 7/00

Children's beds

Definition statement

This place covers:

Beds for children during the later period of their life, especially for already walking children.

References

Informative references

Attention is drawn to the following places, which may be of interest for search:

Small beds for newborns or infants, e.g. bassinets or cradles	A47D 9/00
Children's play-pens	A47D 13/06
Mattresses for children	A47D 15/001
Restraining devices, e.g. safety belts, contoured cushions or side bumpers for beds	A47D 15/008
Beds in general	A47C

A47D 9/00

Cradles {; Bassinets}

Definition statement

This place covers:

Beds for children during the earliest period of their life, especially before they can walk.

References

Informative references

Attention is drawn to the following places, which may be of interest for search:

Children's beds	A47D 7/00
Convertible children's beds	A47D 11/005
Children's play-pens	A47D 13/06
Mattresses for children	A47D 15/001
Restraining devices, e.g. safety belts, contoured cushions or side bumpers for beds	A47D 15/008
Baby-incubators	A61G 11/00

A47D 9/02

with rocking mechanisms

References

Informative references

Attention is drawn to the following places, which may be of interest for search:

Devices for rocking or oscillating children's carriages or perambulators	B62B 9/22
--	---------------------------

A47D 11/00

Children's furniture convertible into other kinds of furniture, e.g. children's chairs or benches convertible into beds {or constructional play-furniture}

References**Informative references**

Attention is drawn to the following places, which may be of interest for search:

Children's chairs convertible from high chair to a low chair by reversing	A47D 1/04
Children's chair convertible to push chair	A47D 1/06
Children's chair convertible to rocking chair	A47D 1/08
Convertible furniture in general	A47B 85/00

A47D 13/00

Other nursery furniture

Definition statement

This place covers:

Nursery furniture if not provided in other part of the classification, e.g. baby feeding cushions.

References**Informative references**

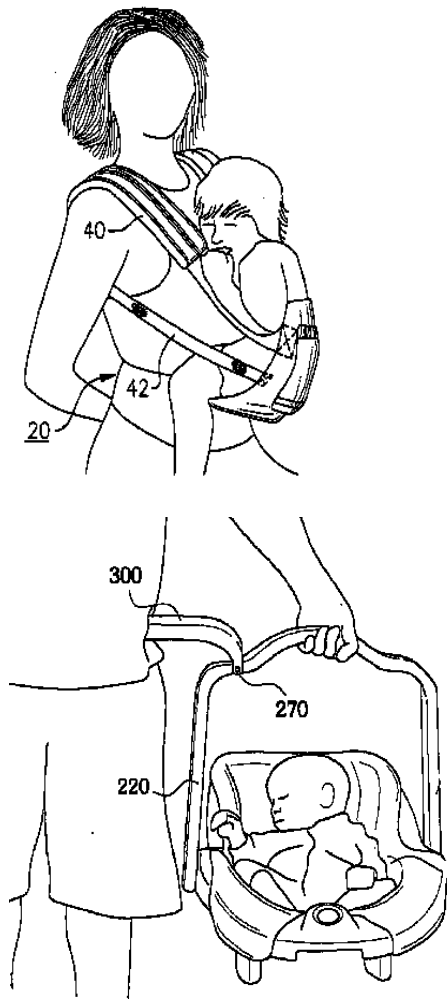
Attention is drawn to the following places, which may be of interest for search:

Auxiliary or portable toilet seats for children	A47K 13/06
---	----------------------------

A47D 13/02**Baby-carriers; Carry-cots****Definition statement**

This place covers:

Illustrative example of the subject-matter classified in this group:

**A47D 13/04****Apparatus for helping babies to walk; Baby walkers or strollers****Definition statement**

This place covers:

Baby walkers and harnesses for helping babies to walk.

References**Informative references**

Attention is drawn to the following places, which may be of interest for search:

Wheeled walking aids for patients or disabled persons	A61H 3/04
Carriages for children; Perambulators	B62B 7/00 , B62B 9/00

A47D 13/046**{Harnesses for helping babies to walk}****References****Informative references***Attention is drawn to the following places, which may be of interest for search:*

Safety harnesses for already walking children	A47D 13/086
---	-----------------------------

A47D 13/06**Children's {play-} pens****Definition statement***This place covers:*

Children's play-pens having walls enclosing a child from all sides.

References**Informative references***Attention is drawn to the following places, which may be of interest for search:*

Children's beds	A47D 7/00
Small beds for newborns or infants, e.g. bassinets or cradles	A47D 9/00
Mattresses for children	A47D 15/001

A47D 13/08**Devices for use in guiding or supporting children, e.g. safety harness****Definition statement***This place covers:*

Devices for use in guiding or supporting children if not provided in other part of the classification, e.g. baby feeding cushions or harnesses for already walking children.

References**Informative references***Attention is drawn to the following places, which may be of interest for search:*

Harnesses for helping babies to walk	A47D 13/046
Restraining devices in chairs	A47D 15/006
Restraining devices in bed, play-pens or cradles	A47D 15/008
Side bolsters for medical beds	A61G 7/0507
Adaptation of children's seats for seat belts	B60N 2/265 , B60N 2/2803
Children's safety belts or body harnesses in vehicles	B60R 22/105
Hand carts children's safety belts	B62B 3/1452

A47D 13/10

Rocking-chairs; {Indoor} Swings {; Baby bouncers}

References

Informative references

Attention is drawn to the following places, which may be of interest for search:

Children's chairs convertible to rocking chairs	A47D 1/08
Small beds for newborns or infants with rocking mechanisms	A47D 9/02
Rocking-chairs in general	A47C 3/02
Swings in general	A63G 9/00
Rocking horses	A63G 15/00
Devices for rocking or oscillating perambulators	B62B 9/22

A47D 15/00

Accessories for children's furniture, e.g. safety belts or baby-bottle holders

Definition statement

This place covers:

Accessories for domestic children's furniture, e.g. mattresses; restraining devices, safety belts, contoured cushions or side bumpers, or bed-cover holders preventing babies from throwing-off the bed covers.

References

Informative references

Attention is drawn to the following places, which may be of interest for search:

Harnesses for helping babies to walk	A47D 13/046
Harnesses or restraining devices in order to evacuate a patient with the mattress	A61G 7/0504
Side bolsters for medical beds	A61G 7/0507
Holders for bottles for medicinal feeding	A61J 9/06
Safety belts or body harnesses in general	A62B 35/00
Infant exercisers attachable to play-pens, beds or cradles	A63H 33/006
Adaptation of children's seats for seat belts	B60N 2/265 , B60N 2/2803
Safety belts or body harnesses in land vehicles	B60R 22/00
Children's safety belts or body harnesses in vehicles	B60R 22/105
Hand carts, children's safety belts	B62B 3/1452
Harnessing in aircraft	B64D 25/06