

A61J

CONTAINERS SPECIALLY ADAPTED FOR MEDICAL OR PHARMACEUTICAL PURPOSES; DEVICES OR METHODS SPECIALLY ADAPTED FOR BRINGING PHARMACEUTICAL PRODUCTS INTO PARTICULAR PHYSICAL OR ADMINISTERING FORMS; DEVICES FOR ADMINISTERING FOOD OR MEDICINES ORALLY; BABY COMFORTERS; DEVICES FOR RECEIVING SPITTLE

Definition statement

This place covers:

Apparatus, devices, or methods specially adapted for changing or fashioning bulk medicines, or their essential constituents, into pharmaceutical products having specific physical forms designed to either:

facilitate their accurate dispensing to, or proper usage by, humans (e.g., tablets of specified dosage),

enhance their desirability so as to improve their likelihood of being consumed or used (e.g., candy coated tablets, impregnated food, lubricated suppositories),

improve their ability to, or make them physically able to, be consumed or used (e.g., encapsulated fish oil, ointments), or

increase their effectiveness.

Apparatus, devices, or methods specially adapted for administering medications or pharmaceutical products to humans through their oral cavity.

Receptacles that are not designed to be ingestible and are specially adapted for holding or containing medicines or pharmaceutical products prior to their usage or consumption by humans.

Receptacles specially adapted to hold, contain, or transport pharmaceutical, surgical, or therapy related materials other than medicines or pharmaceutical products (e.g., containers for storing blood).

Hollow flexible conduits specially adapted, or solely intended, for the purpose of providing nutriment in fluid or fluent forms to humans by insertion of the conduits into an orifice of their bodies (e.g., enteral feeding using functioning gastrointestinal tract).

Containers specially adapted for holding water or nutriment in fluid or fluent forms (e.g., feeding bottles) that is withdrawn by the sucking of infants, young children, or other humans (e.g., patients, disabled persons) on orally engaged portions or subcomponents of the containers.

The orally engaged subcomponents per se of the containers of the preceding paragraph (e.g., compressible rubber teats for feeding bottles) which are specially adapted for infants, young children, or other humans to suck upon to withdraw water or nutriment in fluid or fluent forms from the containers.

Other types of apparatus or devices specially adapted for orally administering only nutriment in fluid or fluent forms to infants, patients or disabled persons.

Devices that are not designed to be ingestible and are specially adapted, or solely intended, for either:

soothing, calming, or relaxing infants or young children by relieving a physical craving (e.g., oral pacifier) or

allowing infants or young children to relieve minor irritations or inflammations themselves through usage of the devices (e.g., teething devices for gum irritation).

Devices or receptacle specially adapted, or solely intended, for receiving spittle, phlegm, or other forms of naturally occurring oral discharge from humans.

Devices specially adapted to prevent irritation of the teat portion of the mammary gland of humans from abrasive or rubbing contact.

Specially adapted subcomponents or steps for the above types of apparatus, containers, devices or methods of the preceding paragraphs that are not provided for in another subclass.

Auxiliary appliances or accessories specially adapted for use with the apparatus, containers, or devices of the preceding paragraphs to facilitate either:

the proper dispensation or usage of medications or pharmaceutical products (e.g., medication reminders, pill counters) or

the taking of food orally by humans.

Relationships with other classification places

When used with animals

If an apparatus, device, or method is usable for both humans and animals for the same purpose and in the same manner, and it is otherwise proper for this subclass, classification is made only in subclass [A61J 1/00](#) - [A61J 19/00](#).

Similar apparatus, devices, or methods to those covered by subclass [A61J 1/00](#) - [A61J 19/00](#) that are usable exclusively for animals, or are used in animals in a different manner or for different purposes than for humans, are classified in subclass [A61D 1/00](#) - [A61D 99/00](#).

Baby comforters, food, and toys

Devices that may be interesting to a baby (e.g., they have a specific shape such as an animal that the baby may manipulate) and are intended to serve to relieve a physical craving, irritation, or inflammation of the baby are covered by subclasses [A61J 9/00](#), [A61J 11/00](#) and [A61J 17/00](#).

Devices that are primarily intended to be played with by a baby to entertain it, but might also incidentally emotionally calm it (e.g., stuffed bear at bedtime), are covered by subclass [A63H 1/00](#) - [A61H 37/00](#).

References

Limiting references

This place does not cover:

Infusion devices	A61M 5/14
Syringe ampoules or cartridges	A61M 5/28
Time release microcapsules for introduction of media into body and other devices for introducing or retaining media in cavities of the body	A61M 31/00
Time release medication patches for application to human bodies	A61M 35/00
Tubes, tube connectors, valves or tube couplings specially adapted for medical use	A61M 39/00

Informative references

Attention is drawn to the following places, which may be of interest for search:

Foods, foodstuffs, or their preparation or treatment	A23L 5/00
Drinking vessels used for table service	A47G 19/22

Spoon type tableware	A47G 21/04
Protective casings or covers for appliances or instruments	A61B 50/00
Medical preparations characterized by special physical form	A61K 9/00
Suppositories	A61K 9/02
Capsules and medicinal compositions	A61K 9/48
Devices for introducing media into or on the body	A61M 1/00 - A61M 39/00
Droppers or containers for laboratory use	B01L 3/00
Containers for storage or transport of articles or materials in general or their accessories, closures, or fittings	B65D 1/00 - B65D 85/00
Containers specially constructed to be opened by cutting or piercing, or by tearing of frangible member or portion	B65D 17/00
Details of bottles or jars not otherwise provided for	B65D 23/00
Dropper type dispensers for closing containers	B65D 47/18
Closures for containers with means for discouraging their opening or removal without authorization or required level of physical aptitude	B65D 50/00
Blister packages	B65D 75/36
Applying closure members to bottles, jars, or similar containers	B67B 1/00 - B67B 7/00

Special rules of classification

The following Indexing Codes can be used throughout [A61J 1/00](#) - [A61J 19/00](#). They should be added where relevant or appropriate:

General characteristics or adaptations	A61J 2200/00
General identification or selection means	A61J 2205/00

Glossary of terms

In this place, the following terms or expressions are used with the meaning indicated:

Disabled person	A human being that is unable to do a certain basic physical task (e.g., walking) without assistance due to a physical or mental impairment/condition.
Medicine, Medication	Chemical or biological substance intended to be used for the diagnosis, treatment, mitigation, alleviation, or prevention of diseases, disorders, injuries, or any other abnormal physical or mental state in humans.
Patient	Human being awaiting or undergoing any form of (a) medical care (e.g., testing) or treatment by medical staff (e.g., doctors, dentists, midwives, chiropractors) or (b) physical tending (e.g., feeding) by care providers (e.g., hospice or nursing home staff) due to impairment.
Pharmaceutical product	Man made or natural medicines specially adapted by manufactures or pharmacies into forms that facilitate their internal or external usage by humans.

Synonyms and Keywords

In patent documents, the following words/expressions are often used as synonyms:

- "teat" and "nipple" for the orally engaged portion of feeding bottles.
- "feeding bottle", "nursing bottle", and "baby bottle"
- "spittoon", and "cuspidor"

A61J 1/00

Containers specially adapted for medical or pharmaceutical purposes (capsules or the like for oral use [A61J 3/07](#); specially adapted for surgical or diagnostic appliances or instruments [A61B 50/30](#); containers for radioactive substances [G21F 5/00](#))

Definition statement

This place covers:

Receptacles that are not designed to be ingestible and are specially adapted for holding or containing medicines or pharmaceutical products prior to their usage or consumption by humans.

Receptacles specially adapted to hold, contain, or transport pharmaceutical, surgical, or therapy related materials other than medicines or pharmaceutical products (e.g., containers for storing blood).

[A61J 1/00](#) refers nearly exclusively to medicament containers.

References

Limiting references

This place does not cover:

Capsules or the like for oral use	A61J 3/07
Specially adapted for surgical or diagnostic appliances or instruments	A61B 50/30
Containers for radioactive substances	G21F 5/00

Informative references

Attention is drawn to the following places, which may be of interest for search:

Containers for organs or living tissue	A01N 1/02
Sterilizing means	A61L 2/00
Antithrombogenic treatment of articles for conditioning blood	A61L 33/00
Laboratory equipment	B01L
Large containers for cell culture	C12M 1/00

Special rules of classification

Documents in [A61J 1/00](#) - [A61J 1/22](#) disclosing the following container types should always be given at least a corresponding Indexing Code:

Blister type containers	A61J 1/035
Carpules	A61J 1/062
Rigid ampoules, e.g. glass ampoules	A61J 1/065

Flexible ampoules, e.g. squeezable ampoules	A61J 1/067
Bag type containers	A61J 1/10

A61J 1/03

for pills or tablets (containers for pills or tablets with special dispensing means therefor [B65D 83/04](#))

References

Limiting references

This place does not cover:

Containers for pills or tablets with special dispensing means therefor	B65D 83/04
--	----------------------------

Special rules of classification

Documents belonging in this subgroup should always be considered for further classification in [B65D 1/00](#) - [B65D 85/00](#).

Distribution means for pills or tablets should be classified in [A61J 7/0076](#).

Containers comprising passive means for indicating the time of administration of the medicament should be additionally classified in [A61J 7/04](#).

Containers comprising active or electronic means for indicating the time of administration of the medicament should be additionally classified in [A61J 7/0409](#).

A61J 1/035

{Blister-type containers (blisters in general [B65D 75/36](#))}

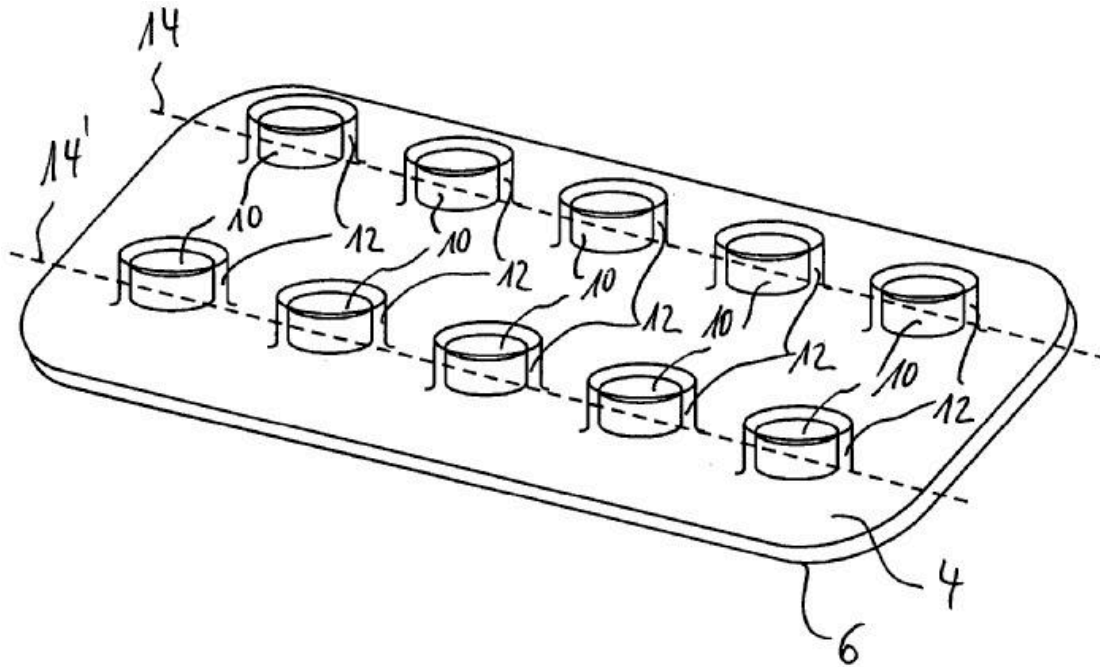
Definition statement

This place covers:

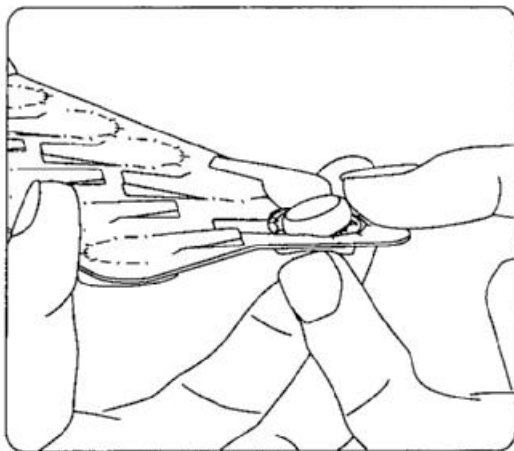
Containers enclosing pharmaceuticals to be taken orally between two opposed sheets or blanks which are joined, wherein one of both sheets or blanks comprise recessed compartments to accommodate said pharmaceuticals, and wherein the pharmaceutical is released by pressing it through the backing sheet or blank.

Examples of blister type containers:

DE202009015049U



DE202009012194U



References

Application-oriented references

Examples of places where the subject matter of this place is covered when specially adapted, used for a particular purpose, or incorporated in a larger system:

Blisters for inhalers	A61M 15/00 - B65D 75/36
Multilayered films	B32B 1/00 - B32B 43/00

Informative references

Attention is drawn to the following places, which may be of interest for search:

Blisters in general	B65D 75/36
Dispensing from blisters	B65D 83/0409

Special rules of classification

Documents in [A61J 1/00](#) - [A61J 1/22](#) disclosing blister type containers should be given at least Indexing Code [A61J 1/035](#).

Synonyms and Keywords

In patent documents, the following words/expressions are often used as synonyms:

- "push-through-pack" and "PTP" for blister type containers

A61J 1/05

for collecting, storing or administering blood, plasma or medical fluids
{(multiple bags systems for separating or storing blood components
[A61M 1/0209](#)); Infusion or perfusion containers}

References

Limiting references

This place does not cover:

Multiple bags systems for separating or storing blood components	A61M 1/0209
Multilayered films	B32B 7/00 , B32B 27/00

A61J 1/06

Ampoules or carpules (syringe ampoules or carpules [A61M 5/28](#))

References

Informative references

Attention is drawn to the following places, which may be of interest for search:

Syringe ampoules or carpules	A61M 5/28
------------------------------	---------------------------

Special rules of classification

Documents in [A61J](#) disclosing ampoules should be given at least Indexing Code [A61J 1/06](#) or corresponding Indexing Code.

A61J 1/062

{Carpules}

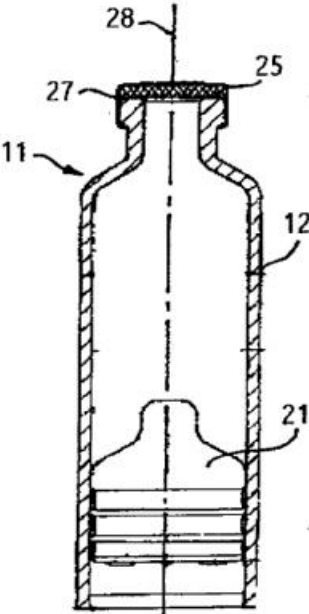
Definition statement

This place covers:

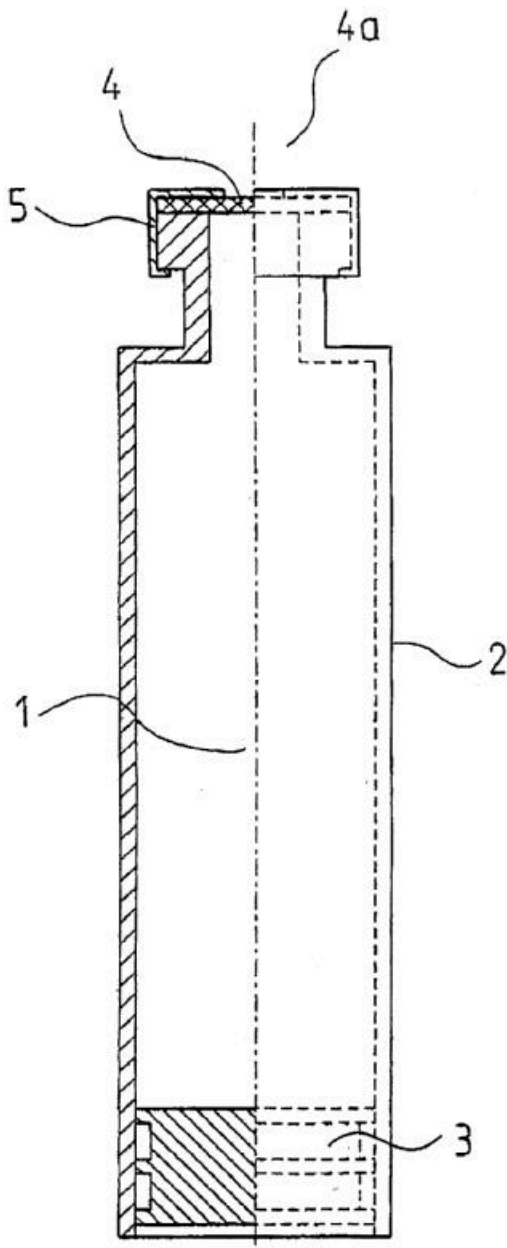
Carpules, i.e. ampoules for containing a (unit dose of a) pharmaceutical fluid comprising a plunger or piston for expelling its contents.

Examples of carpules:

EP2281542



US2004004086



Special rules of classification

Documents in [A61J 1/00](#) - [A61J 19/00](#) disclosing ampoules should be given at least Indexing Code [A61J 1/062](#).

A61J 1/065

{Rigid ampoules, e.g. glass ampoules}

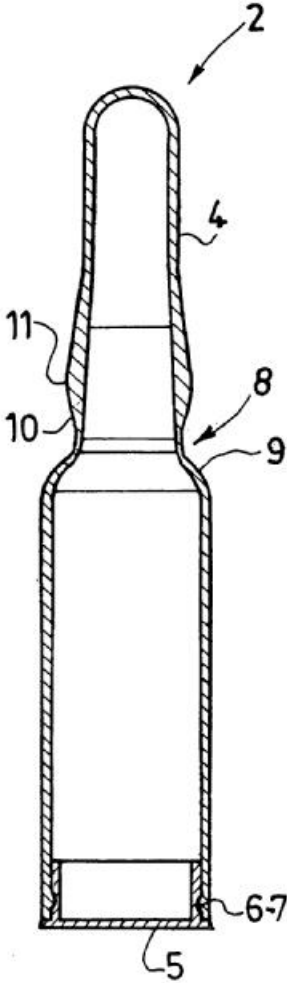
Definition statement

This place covers:

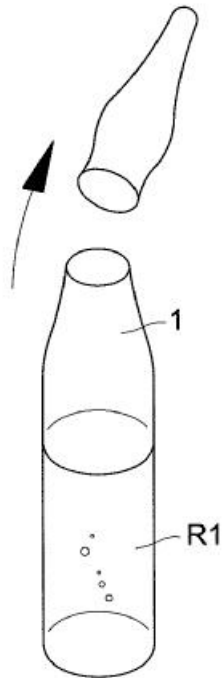
Ampoules, i.e. sealed, small rigid or glass containers containing a (unit dose of a) pharmaceutical fluid for hypodermic injection.

Examples of rigid ampoules:

EP1918214



EP2301510



References

Limiting references

This place does not cover:

Breaking devices for ampoules	B67B 7/92
-------------------------------	---------------------------

Special rules of classification

Documents in [A61J 1/00](#) - [A61J 19/00](#) disclosing rigid ampoules should be given at least Indexing Code [A61J 1/065](#)

A61J 1/067

{Flexible ampoules, the contents of which are expelled by squeezing}

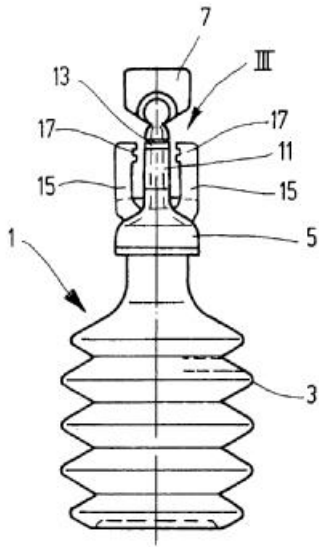
Definition statement

This place covers:

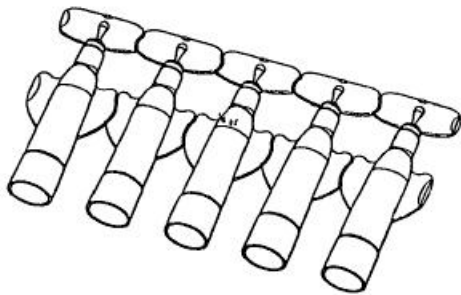
Sealed, small flexible containers containing a (unit dose of a) pharmaceutical fluid which is to be expelled by squeezing.

Examples of flexible ampoules:

DE102006009611



DE20217814U



Special rules of classification

Documents in [A61J 1/00](#) - [A61J 19/00](#) disclosing flexible ampoules should be given at least Indexing Code [A61J 1/067](#).

A61J 1/10

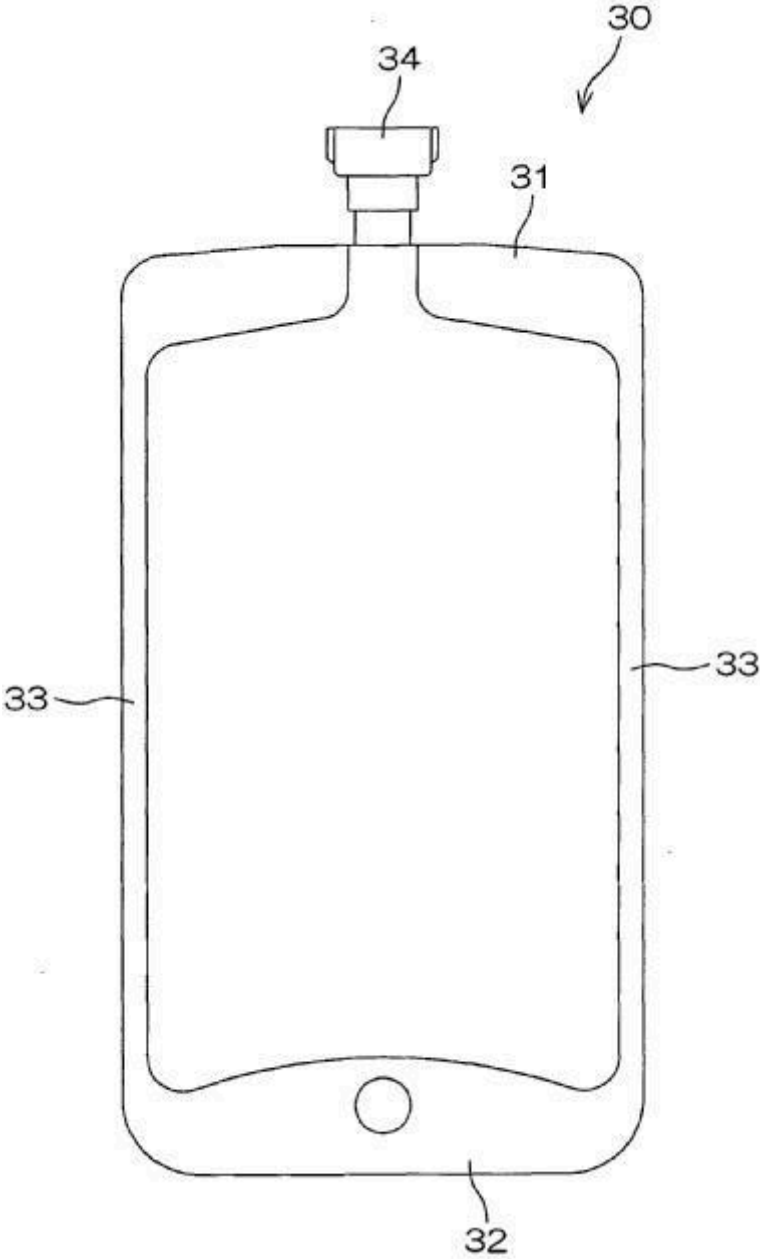
Bag-type containers

Definition statement

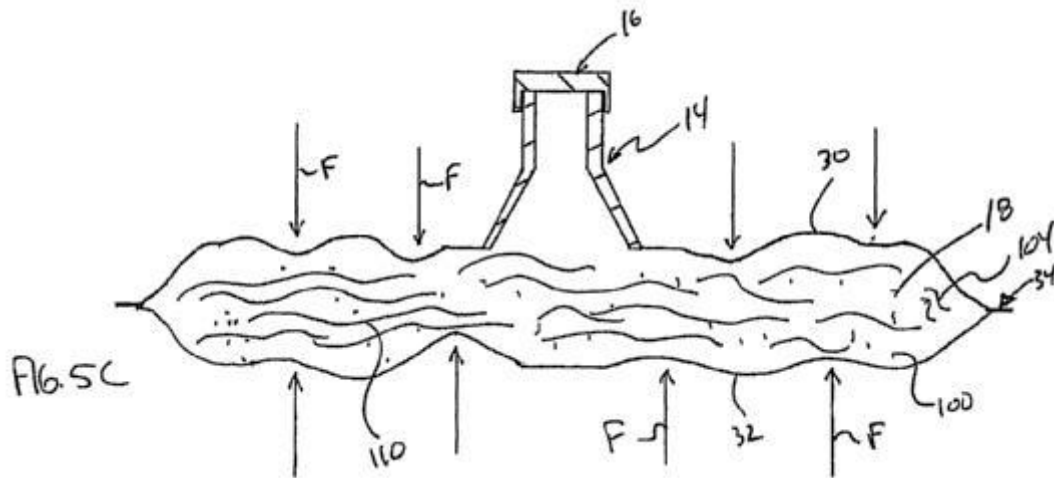
This place covers:

Examples of bag type containers:

EP1803552



US2009234317



Relationships with other classification places

Overwrapping for bag type containers [A61J 1/16](#), [A61J 1/16](#)

References

Application-oriented references

Examples of places where the subject matter of this place is covered when specially adapted, used for a particular purpose, or incorporated in a larger system:

Blow moulding	B29C 49/00
Multilayered or laminated material	B32B 1/00 - B32B 43/00
Plastic composition	C08L 1/00 - C08L 101/00

Special rules of classification

Documents in [A61J 1/00](#) - [A61J 19/00](#) disclosing bag type containers should be given at least Indexing Code [A61J 1/10](#).

A61J 1/12

with means for holding samples of contents

Special rules of classification

Means for holding samples of content for non bag type containers should be classified in Indexing Code [A61J 1/12](#).

A61J 1/14

Details; Accessories therefor ([A61J 7/00](#) takes precedence; openers [B65D](#), [B67B 7/00](#))

References

Limiting references

This place does not cover:

Devices for administering medicines orally; Pill counting devices; Arrangements for time indication or reminder for taking medicine	A61J 7/00
Openers	B65D , B67B 7/00

Devices related to administration of medicines are classified in [A61J 7/00](#).

Informative references

Attention is drawn to the following places, which may be of interest for search:

Coatings of shaped articles made of macromolecular substances	C08J 7/0427
Labels used for hanging the container	G09F 2003/027

A61J 1/1406

{Septums, pierceable membranes}

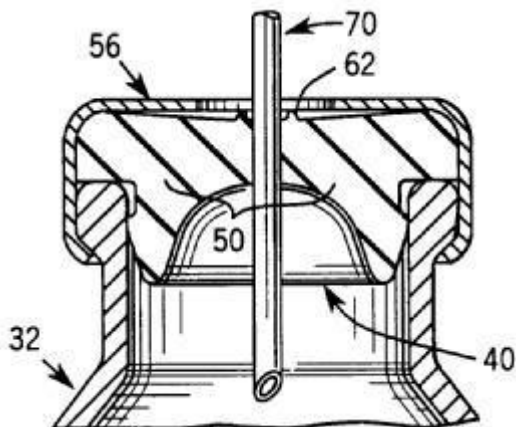
Definition statement

This place covers:

Constructional or functional details of septum or membranes or access sites of containers comprising a pharmaceutical fluid that is required to be punctured for gaining access to the fluid-containing portion of the container.

Illustrative example of subject matter classified in this group:

Pierceable plug



Relationships with other classification places

Closures for bottles, e.g. plugs or stoppers, and their details are classified in [B65D 51/00](#).

References

Informative references

Attention is drawn to the following places, which may be of interest for search:

Closures to be pierced	B65D 51/002
------------------------	-----------------------------

Special rules of classification

Documents belonging to this subgroup should always be considered for further classification in [B65D 51/00](#).

A61J 1/1412

{Containers with closing means, e.g. caps}

References

Informative references

Attention is drawn to the following places, which may be of interest for search:

Closure members for containers in general	B65D 39/00 - B65D 51/00
---	---

A61J 1/1443

{Containers with means for dispensing liquid medicaments in a filtered or sterile way, e.g. with bacterial filters}

References

Informative references

Attention is drawn to the following places, which may be of interest for search:

Devices aiding filling of syringes in situ	A61M 5/1782
--	-----------------------------

A61J 1/1462

{Containers with provisions for hanging, e.g. integral adaptations of the container (accessories for hanging the container [A61M 5/1414](#))}

References

Limiting references

This place does not cover:

Hanging-up devices for infusion devices, e.g. for blood infusion	A61M 5/1414
--	-----------------------------

Informative references

Attention is drawn to the following places, which may be of interest for search:

Holders for containers	A61J 1/16
------------------------	---------------------------

A61J 1/1475

{Inlet or outlet ports}

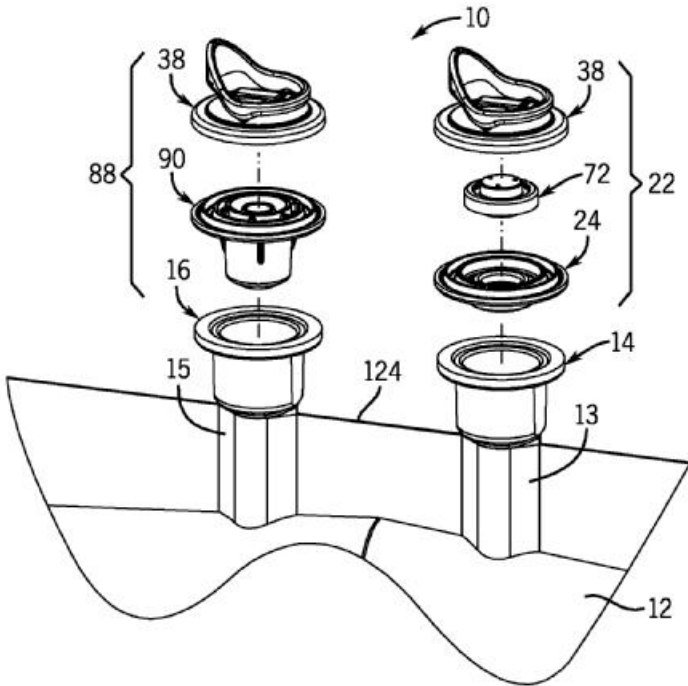
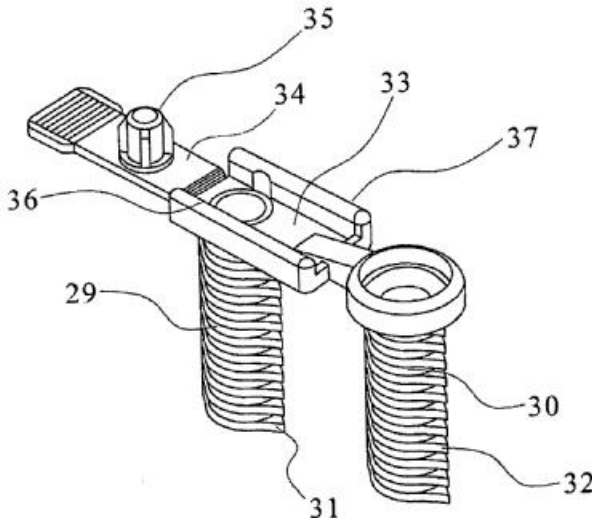
Definition statement

This place covers:

Constructional or functional details of access sites of containers which provide access to or from the fluid containing portion of a container.

Illustrative example of subject matter classified in this group:

Inlet or outlet ports of bag type containers



References

Informative references

Attention is drawn to the following places, which may be of interest for search:

Tube connectors	A61M 39/00
-----------------	----------------------------

A61J 1/16

Holders for containers

Definition statement

This place covers:

Overwrappings, covers or holding devices for protective, decorative, supportive or other purposes which do not form an integral part of a container.

References

Informative references

Attention is drawn to the following places, which may be of interest for search:

Holders or stands for containers at bedside	A61G 7/0503
Infusion devices: Hanging up devices	A61M 5/1414
Supporting bases, stands for equipment	A61M 2209/084
Supports for filling bag type containers	B65B 43/465

A61J 1/165

{Cooled holders, e.g. for medications, insulin, blood, plasma}

References

Informative references

Attention is drawn to the following places, which may be of interest for search:

Frames constraining or supporting bags during freezing	A61M 1/0277
Containers with thermal insulation in general	B65D 81/38
Cryogenic storage	F17C 3/085
Ice boxes in general	F25D

A61J 1/18

Arrangements for indicating condition of container contents, e.g. sterile condition

References

Informative references

Attention is drawn to the following places, which may be of interest for search:

Methods or apparatus for disinfecting or sterilizing materials or objects other than foodstuffs or contact lenses	A61L 2/00
Arrangements or devices for indicating incorrect storage or transport	B65D 79/02

A61J 1/20

Arrangements for transferring {or mixing} fluids, e.g. from vial to syringe

Definition statement

This place covers:

This subgroup contains arrangements or devices intended for transferring or mixing medicinal or pharmaceutical fluids like:

- Containers comprising multiple compartments
- Connectors for creating two-way fluid paths between (different types of) containers such as vials, ampoules, bags or syringes.

References

Informative references

Attention is drawn to the following places, which may be of interest for search:

Industrial filling of ampoules, vials, syringes	B65B 3/003
Containers in general with provisions for mixing contents	B65D 81/32

Special rules of classification

Details and accessories of the arrangements of [A61J 1/20](#) and its subgroups are also classified in the following groups at least as additional information.

Filtering means	A61J 1/2079
Piercing means	A61J 1/2006
Separating means	A61J 1/202
Connecting means	A61J 1/2048
Venting means	A61J 1/2068

Complex devices should be classified in the subgroup [A61J 1/20](#).

Documents disclosing container types not mentioned in the definitions of [A61J 1/2089](#), [A61J 1/2093](#) and [A61J 1/2096](#) should additionally be given a respective index code for the container type.

A61J 1/2089

{Containers or vials which are to be joined to each other in order to mix their contents (combinations of vial and syringe for mixing their contents [A61J 1/2096](#))}

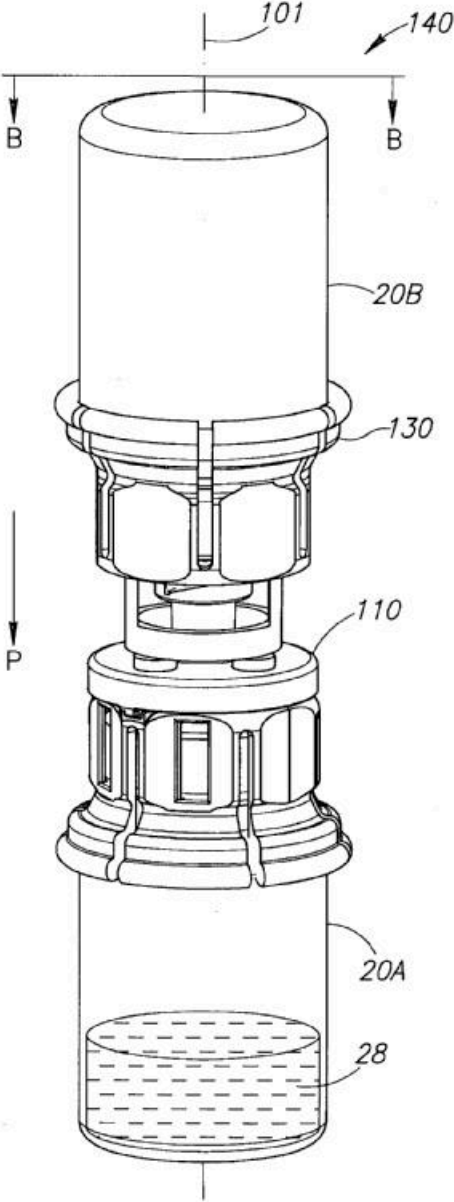
Definition statement

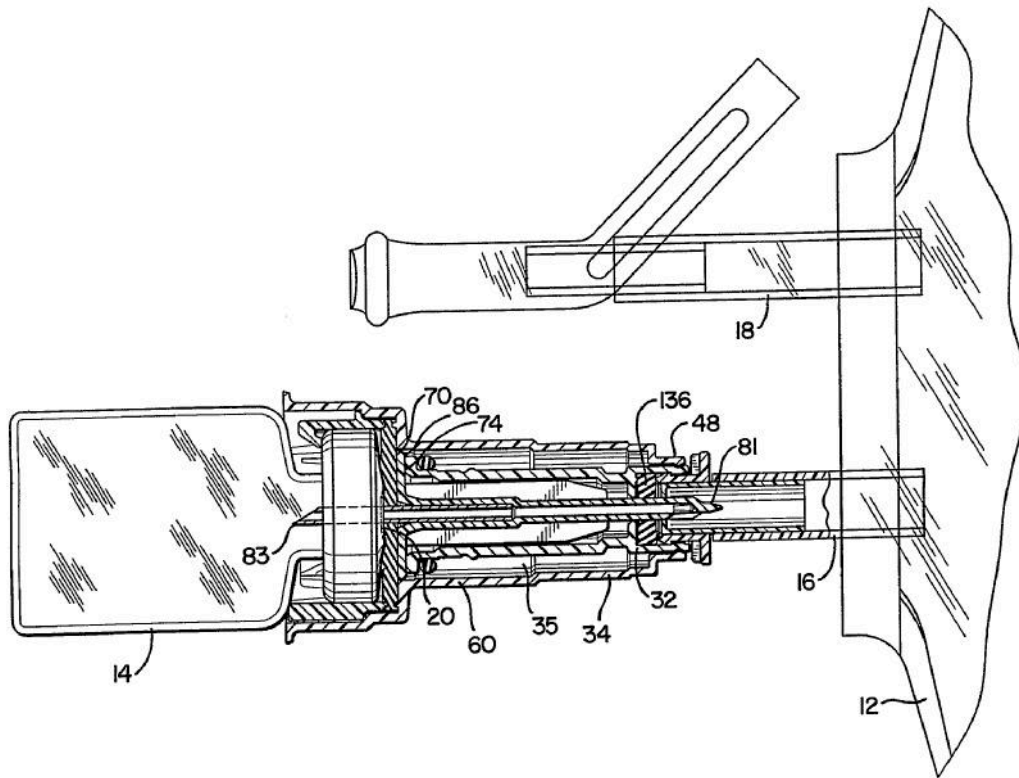
This place covers:

Connectors or adaptors which enable or assist fluid communication between two or more containers for mixing or dissolving medicines in preparation of an administration.

Illustrative example of subject matter classified in this group:

Containers or vials which are to be joined to each other in order to mix their contents.





References

Limiting references

This place does not cover:

Combinations of vial and syringe for mixing their contents	A61J 1/2096
--	-----------------------------

A61J 1/2093

{Containers having several compartments for products to be mixed}

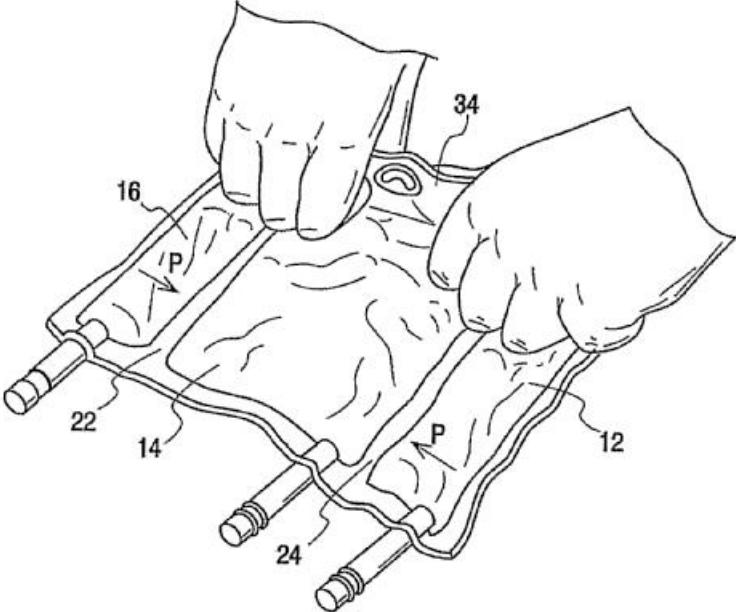
Definition statement

This place covers:

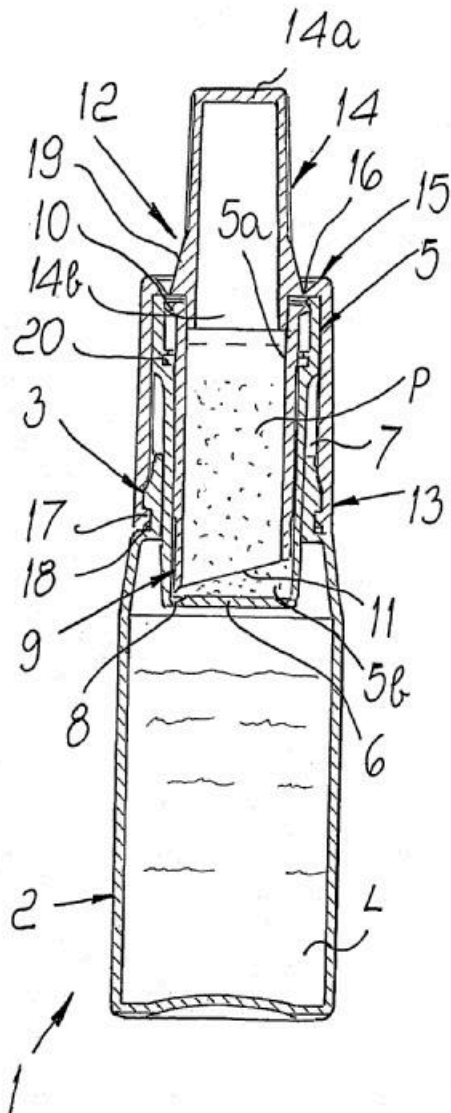
Containers having multiple internal compartments separated by removable separations, the compartments containing pharmaceutical fluids which require mixing before administration.

Examples of containers having several compartments for products to be mixed::

WO2007016615



WO0236065



References

Informative references

Attention is drawn to the following places, which may be of interest for search:

Method for producing frangible seal between chambers	A61M 5/1782
--	-----------------------------

A61J 1/2096

{Combination of a vial and a syringe for transferring or mixing their contents}

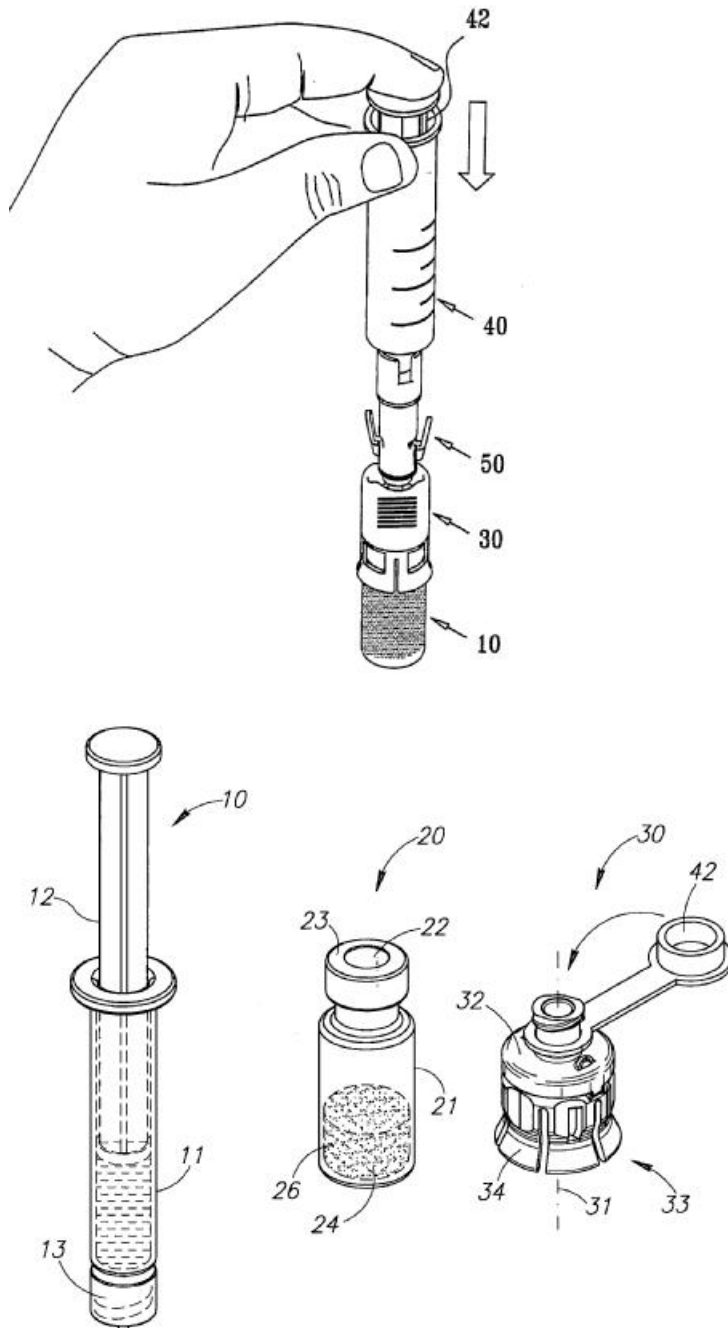
Definition statement

This place covers:

Connectors or adaptors which enable or assist fluid communication between a vial and a syringe for extracting, mixing and/or dissolving medicines in preparation of an administration.

Illustrative example of subject matter classified in this group:

Combination of a vial and a syringe for transferring or mixing their contents.



References

Informative references

Attention is drawn to the following places, which may be of interest for search:

Tube connectors	A61M 39/10
-----------------	----------------------------

A61J 1/22

with means for metering the amount of fluid

Definition statement

This place covers:

Arrangements for transferring or mixing fluids provided with means for metering the amount of fluid in containers for collecting, storing or administering blood, plasma or medical fluids.

References

Informative references

Attention is drawn to the following places, which may be of interest for search:

Devices as foreseen in this subclass and provided with specific means for sensing or indicating the fluid level in general	A61J 2200/76
Measuring volume or volume flow in general	G01F

A61J 3/00

Devices or methods specially adapted for bringing pharmaceutical products into particular physical or administering forms

Definition statement

This place covers:

Apparatus, devices, or methods specially adapted for changing or fashioning bulk medicines, or their essential constituents, into pharmaceutical products having specific physical forms designed to either:

facilitate their accurate dispensing to, or proper usage by, humans (e.g., tablets of specified dosage),

enhance their desirability so as to improve their likelihood of being consumed or used (e.g., candy coated tablets, impregnated food, lubricated suppositories),

improve their ability to, or make them physically able to, be consumed or used (e.g., encapsulated fish oil, ointments), or

increase their effectiveness.

References

Limiting references

This place does not cover:

Chemical aspects of medicinal compositions	A61K 9/00 - A61K 51/00
--	--

A61J 3/002

{Compounding apparatus specially for enteral or parenteral nutritive solutions (bottling liquids [B67C](#))}

Definition statement

This place covers:

Compounding apparatus by which a plurality of medicinal or nutritive components are dosed and transferred through tubes in a bag. Compounding should take place in situ.

References**Limiting references**

This place does not cover:

Bottling liquids	B08B 9/20
Compounding which does not take place in situ, or industrial compounding	B65B 3/003

Informative references

Attention is drawn to the following places, which may be of interest for search:

Mixers	B01F 33/841
Coin-freed apparatus for dispensing	G07F 11/00

A61J 3/005

{Coating of tablets or the like (coating of sweetmeats or confectionery [A23G 3/20](#); coating of granules in general [B01J 2/006](#))}

Definition statement

This place covers:

Apparatus or devices for applying a coated layer to pharmaceutical tablets.

References**Limiting references**

This place does not cover:

(Pharmaceutical compositions of) Coated pills or tablets	A61K 9/28
--	---------------------------

Informative references

Attention is drawn to the following places, which may be of interest for search:

Coating of sweetmeats or confectionery	A23G 3/20
Coating of granules in general	B01J 2/006

A61J 3/007

{Marking tablets or the like (apparatus for printing on tablets or the like [B41F 17/36](#))}

Definition statement

This place covers:

Constructional or functional details of markings or labels of pharmaceutical tablets or capsules.

References**Informative references**

Attention is drawn to the following places, which may be of interest for search:

General identification or selection means	A61J 2205/00
Tablet presses	B30B 11/00
Apparatus for printing on tablets or the like	B41F 17/36
Labels, RFID tags in general	G09F 3/00

A61J 3/02

into the form of powders (pulverising in general [B02C](#))

References**Informative references**

Attention is drawn to the following places, which may be of interest for search:

Granules	A61K 9/16
Process or devices for granulating material	B01J 2/00
Pulverising in general	B02C

A61J 3/06

into the form of pills, lozenges or dragees

References**Informative references**

Attention is drawn to the following places, which may be of interest for search:

Preparation or treatment of foods or foodstuffs	A23L 5/00
---	---------------------------

A61J 3/07

into the form of capsules or similar small containers for oral use

References

Informative references

Attention is drawn to the following places, which may be of interest for search:

Microcapsules	A61K 9/16 , A61K 9/50 , B01J 13/02
Preparation of capsules	A61K 9/48
Capsules for inhalers	A61M 15/00 , B65D/00
Packaging pills or tablets	B65B 5/103

A61J 3/10

into the form of compressed tablets (tablet presses [B30B 11/00](#))

References

Informative references

Attention is drawn to the following places, which may be of interest for search:

Preparation or treatment of foods or foodstuffs	A23L 5/00
Tablets characterized by shape, structure or size	A61K 9/2072
Tablet presses	B30B 11/00

A61J 7/00

Devices for administering medicines orally, e.g. spoons (calibrated capacity measures for fluids or fluent solid material [G01F 19/00](#); weighing spoons [G01G 19/56](#)); Pill counting devices; Arrangements for time indication or reminder for taking medicine

Definition statement

This place covers:

Apparatus, devices, or methods specially adapted for administering medications or pharmaceutical products to humans through their oral cavity.

Auxiliary appliances or accessories specially adapted for use with the apparatus, containers, or devices of the preceding paragraphs to facilitate either:

the proper dispensation or usage of medications or pharmaceutical products (e.g., medication reminders, pill counters) or

the taking of food orally by humans.

References

Limiting references

This place does not cover:

Calibrated capacity measures for fluids or fluent solid material	G01F 19/00
Weighing spoons	G01G 19/56

Informative references

Attention is drawn to the following places, which may be of interest for search:

Sweetmeats, confectionary	A23G 3/00
Drinking straws	A47G 21/18

Special rules of classification

Means for oral administration should always be classified in [A61J 7/0015](#) - [A61J 7/0061](#).

A61J 7/0023

{Spoons}

References

Informative references

Attention is drawn to the following places, which may be of interest for search:

Household spoons	A47G 21/04
Measuring spoons	G01F 19/002

A61J 7/0038

{Straws}

References

Informative references

Attention is drawn to the following places, which may be of interest for search:

Drinking straws	A47G 21/18
-----------------	----------------------------

A61J 7/0069

{Trays for holding or distributing medicines (display trays [A47F 3/14](#); serving trays [A47G 23/06](#))}

References

Limiting references

This place does not cover:

Display trays	A47F 3/14
---------------	---------------------------

Serving trays	A47G 23/06
---------------	----------------------------

A61J 7/0076

{Medicament distribution means (with pill counting devices [A61J 7/02](#); with time indication [A61J 7/04](#); containers or packages with special means for dispensing contents [B65D 83/00](#))}

Definition statement

This place covers:

Devices or containers for the distribution of a single type of medicine which is to be administered based on a personalised prescription.

References

Limiting references

This place does not cover:

Medicine cabinets	A47B 67/00
-------------------	----------------------------

Informative references

Attention is drawn to the following places, which may be of interest for search:

Distribution means comprising pill counting devices	A61J 7/02
Distribution means having time indication means for indicating medicine administration time	A61J 7/04
Containers or packages with special means for dispensing contents	B65D 83/00
"Active" dispensing means, e.g. dispensing by pressing a button	B65D 83/0409

Special rules of classification

"Active" dispensing means, e.g. dispensing by pressing a button, should additionally be classified in [B65D 83/0409](#).

Distribution means having "non-active" dispensing means should additionally be classified in [A61J 1/03](#).

Distribution means dispensing directly into the mouth should additionally be classified in [A61J 7/0015](#) or [A61J 7/0015](#).

Distribution means having time indication means for indicating medicine administration time should be classified in [A61J 7/04](#).

Distribution means comprising pill counting devices should additionally be classified in [A61J 7/02](#).

A61J 7/0084

{for multiple medicaments}

Definition statement

This place covers:

Devices or containers for the distribution of multiple types or a combination of medicines which are to be administered based on a personalised prescription.

References

Informative references

Attention is drawn to the following places, which may be of interest for search:

ICT specially adapted for therapies or health-improving plans (e.g. for handling prescriptions, for steering therapy or for monitoring patient compliance) relating to drugs or medications (e.g. for ensuring correct administration to patients)	G16H 20/10
--	----------------------------

Special rules of classification

Distribution means for multiple medicaments having an emphasis on the packaging aspect should additionally be classified in [B65G 1/1373](#) or [B65B 5/103](#).

Distribution means for multiple medicaments having an emphasis on the mechanical aspect should additionally be classified in [G07F 11/00](#).

Distribution means for multiple medicaments having an emphasis on the data processing aspect should additionally be classified in [G06Q 10/08](#) .

A61J 7/0092

{for holding medicines in, or fixing medicines on, a tooth, e.g. holder containing medicines fixed on a tooth (medicament applicators for teeth or gums [A61C 19/063](#))}

References

Limiting references

This place does not cover:

Medicament applicator for teeth or gums	A61C 19/063
---	-----------------------------

A61J 7/04

Arrangements for time indication or reminder for taking medicine, e.g. programmed dispensers

Definition statement

This place covers:

Devices or containers comprising passive or mechanical means for time indication or reminder for taking medicine..

References

Informative references

Attention is drawn to the following places, which may be of interest for search:

Containers having indication of dates or follow-numbers	B65D 2583/0409
ICT specially adapted for therapies or health-improving plans (e.g. for handling prescriptions, for steering therapy or for monitoring patient compliance) relating to drugs or medications (e.g. for ensuring correct administration to patients)	G16H 20/10

Special rules of classification

Details and accessories of the arrangements of [A61J 7/04](#) and its subgroups are classified in the following Indexing Codes and their subgroups:

With electronic history memory	A61J 7/0418
With direct interaction with a dispensing or delivery system	A61J 7/0427
Resulting from removing a drug from, or opening a container	A61J 7/0436
By preventing drug dispensing during a predetermined time period	A61J 7/0445
For multiple drugs	A61J 7/0454
For multiple patients	A61J 7/0463

Devices to be used in combination with blister packs should be given at least [A61J 1/035](#).

Devices used for checking compliance should also be classified in [A61J 2200/30](#).

A61J 7/0409

{with timers}

Definition statement

This place covers:

Devices or containers comprising active means for alerting a patient when the medicine should be taken.

Glossary of terms

In this place, the following terms or expressions are used with the meaning indicated:

Timer	Clock or electronic device indicating daily, remaining or elapsed time.
-------	---

A61J 9/00

Feeding-bottles in general

Definition statement

This place covers:

Containers specially adapted for holding water or nutriments in fluid or fluent forms (e.g., feeding bottles) that is withdrawn by the sucking of infants, young children, or other humans (e.g., patients, disabled persons) on orally engaged portions or subcomponents of the containers.

References

Limiting references

This place does not cover:

Heating apparatus for feeding bottles	H01B 1/00 , H01B6/00
---------------------------------------	--

Informative references

Attention is drawn to the following places, which may be of interest for search:

Drinking cups	A47J 41/02
---------------	----------------------------

A61J 9/003

{Vacuum feeding-bottles (vacuum bottles in general [A47J 41/02](#))}

Definition statement

This place covers:

Thermo-isolated bottles using vacuum or other isolation means.

References

Informative references

Attention is drawn to the following places, which may be of interest for search:

Vacuum bottles in general	A47J 41/02
---------------------------	----------------------------

A61J 9/02

with thermometers

References

Informative references

Attention is drawn to the following places, which may be of interest for search:

Thermometers in general	G01K 1/00 - G01K 17/00
-------------------------	--

A61J 9/06

Holders for bottles

Special rules of classification

Details of holders for bottles are classified in the following Indexing Codes and their subgroups:

Having aesthetic properties, e.g. toy-like or imitating a female breast	A61J 9/0607
Providing isolation	A61J 9/0615
Facilitating gripping	A61J 9/0623
Having a particular supporting function	A61J 9/063
Characterised by the type of support	A61J 9/0653

A61J 9/08

Protective covers for bottles

Definition statement

This place covers:

Protective covers which cover only the bottle itself.

References

Limiting references

This place does not cover:

Protecting caps for the teat	A61J 11/008
------------------------------	-----------------------------

A61J 9/085

{Lids for closing the bottle}

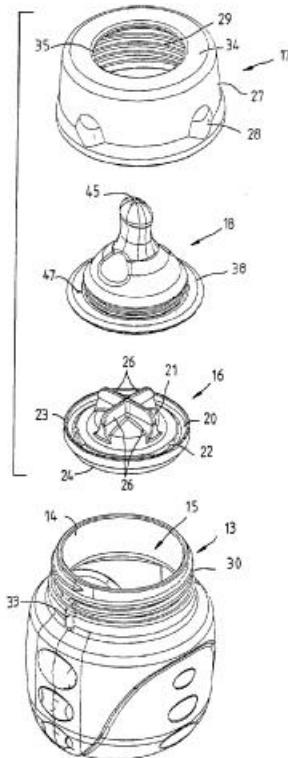
Definition statement

This place covers:

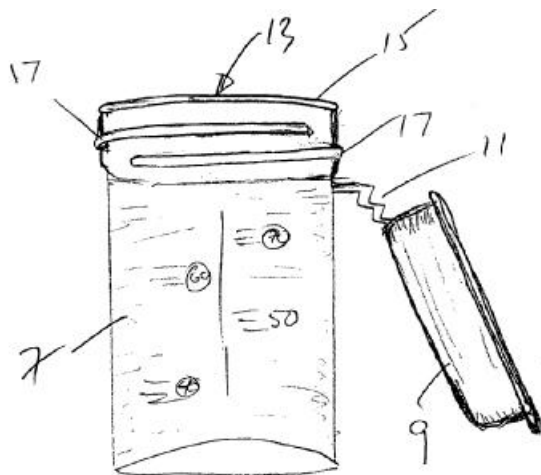
Lids which close only the bottle itself, for example, when the teat is removed to prevent spilling or leakage.

For example:

AU2009200949



US2006076309



References

Limiting references

This place does not cover:

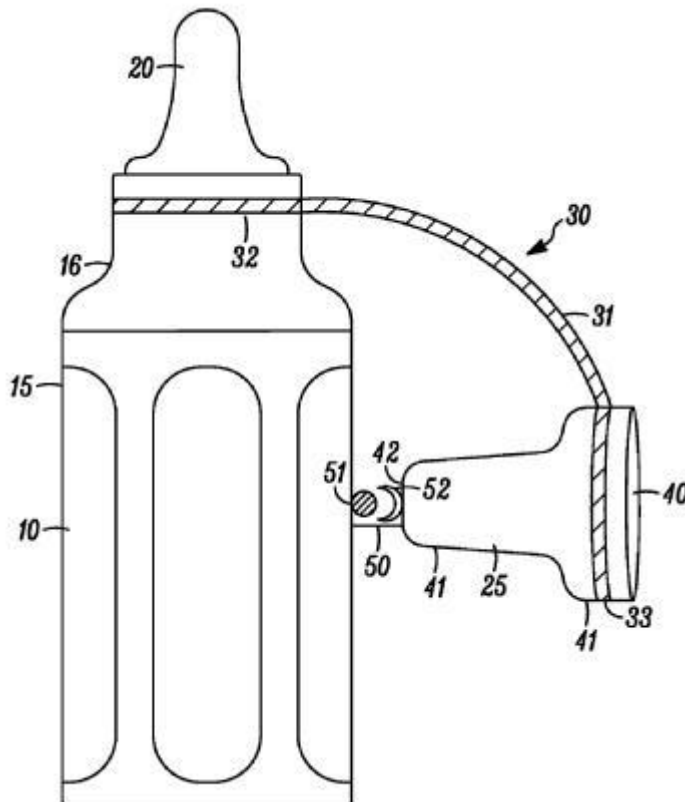
Protecting caps for the teat	A61J 11/008
------------------------------	-----------------------------

Special rules of classification

Lids which stay attached or can be attached to the bottle after taken off and which also protect the teat are classified in [A61J 11/008](#).

For example:

US2009134112



A61J 11/00

Teats

Definition statement

This place covers:

The orally engaged subcomponents per se of feeding bottles (e.g., compressible rubber teats for feeding bottles) which are specially adapted for infants, young children, or other humans to suck upon to withdraw water or nutriment in fluid or fluent forms from the containers.

A61J 11/0005

{having additional ports, e.g. for connecting syringes or straws (devices for administering medicines orally [A61J 7/00](#))}

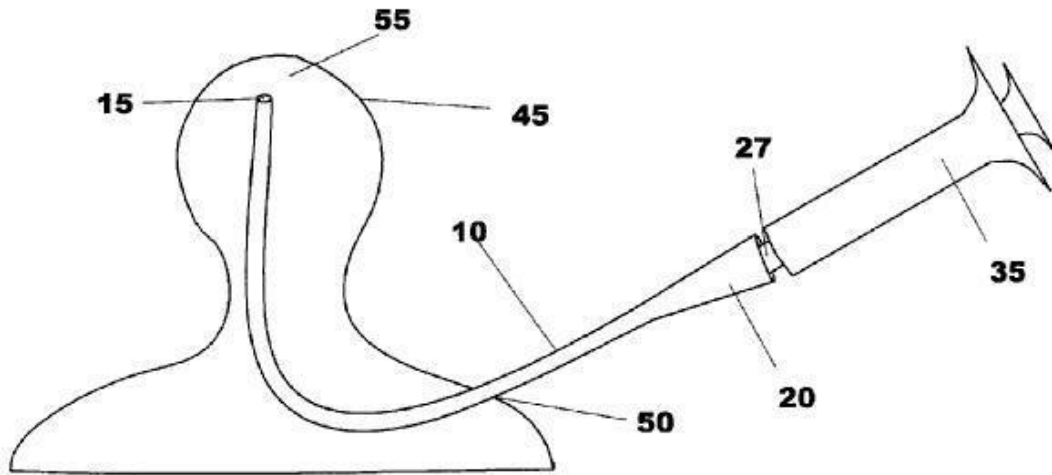
Definition statement

This place covers:

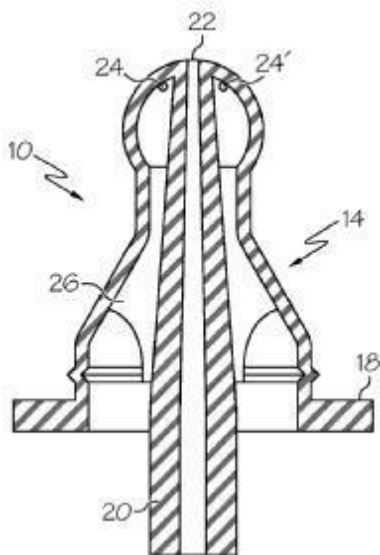
Teats which have the possibility of connecting an object, e.g. syringe, tube or straw.

For example:

US2006100603



US2008223807



References

Informative references

Attention is drawn to the following places, which may be of interest for search:

Devices for administering medicines orally	A61J 7/00
--	---------------------------

Special rules of classification

Devices for administering medicines orally should additionally be classified in [A61J 7/00](#) - [A61J 7/04](#).

A61J 11/001**{having means for regulating the flow rate}****Definition statement***This place covers:*

Teats having particular means for controlling the flow rate, which are different from a particular size or shape of the opening, or valves.

A61J 11/0015**{by size or shape of the opening}****Definition statement***This place covers:*

Teats where the flow rate is controlled by the size, shape, orientation or deformation properties of the openings of the nipple.

For example:

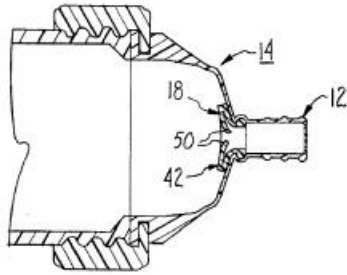
FR1397427

**A61J 11/002****{by using valves}****Definition statement***This place covers:*

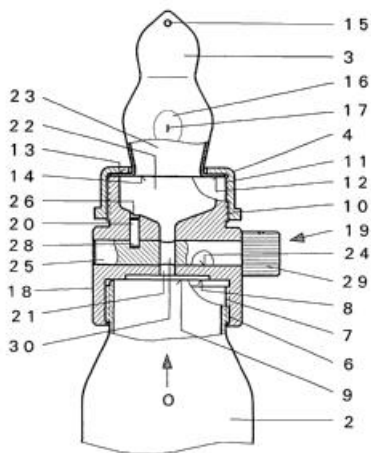
Teats where the flow rate is controlled by the use of valves located in or on the teat.

For example:

US5553726



DE20002990U



A61J 11/005

{for imitating a nipple}

Definition statement

This place covers:

Teats where specific details for resembling a natural teat of a mother are described, either to mimic its appearance or its behaviour during feeding.

A61J 11/008

{Protecting caps}

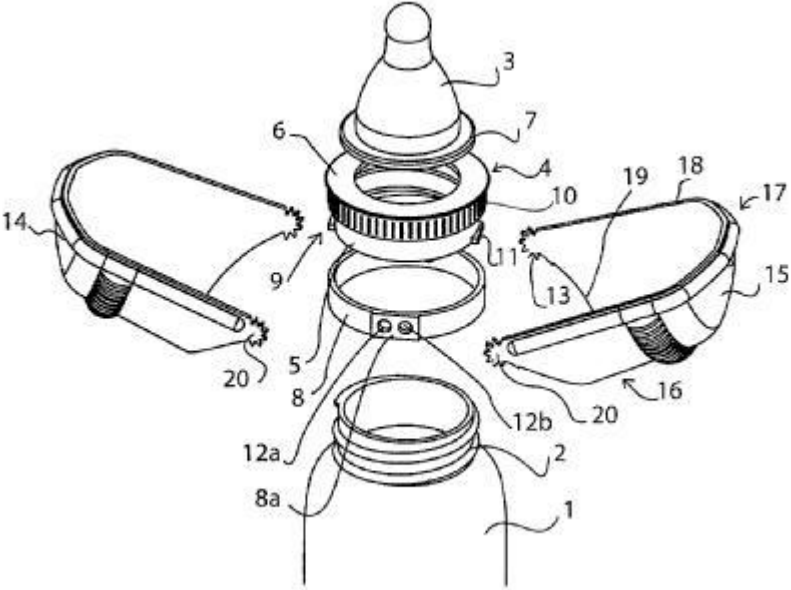
Definition statement

This place covers:

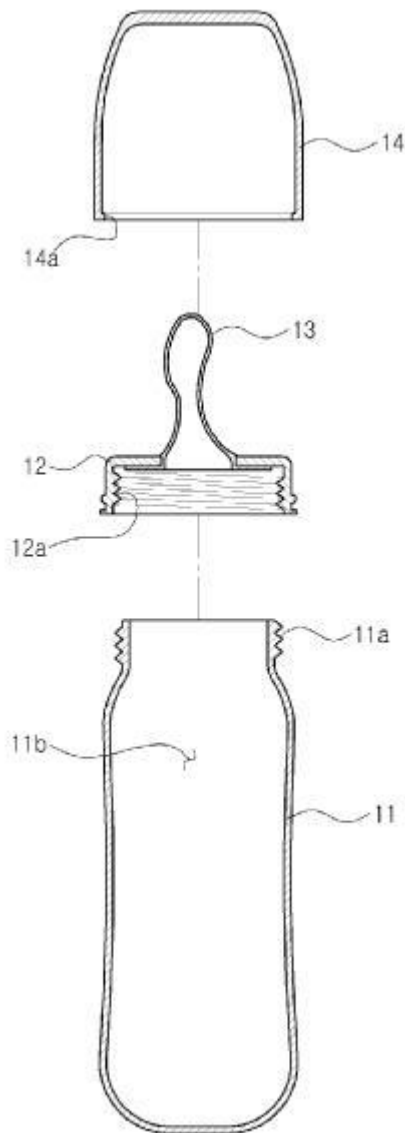
Caps for protecting the teat.

For example:

FR2921827



WO2009008643



A61J 11/0095

{Seal rupturing means (containers having several compartments for products to be mixed [A61J 1/2093](#))}

Definition statement

This place covers:

Components or elements which are associated with the teat which assist in opening the separation means that prevents the bottle from being used correctly.

References

Informative references

Attention is drawn to the following places, which may be of interest for search:

Containers having several compartments for products to be mixed	A61J 1/2093
---	-----------------------------

Special rules of classification

Containers having several compartments for products to be mixed should additionally be classified in [A61J 1/2093](#).

A61J 11/02

with means for supplying air

References**Limiting references**

This place does not cover:

Venting means which form part of the bottle	A61J 9/04
---	---------------------------

A61J 13/00

Breast-nipple shields (breast-pumps [A61M 1/06](#))

Definition statement

This place covers:

Devices specially adapted to prevent irritation of the teat portion of the mammary gland of humans from abrasive or rubbing contact.

References**Limiting references**

This place does not cover:

Breast pumps	A61M 1/06
--------------	---------------------------

A61J 15/00

Feeding-tubes for therapeutic purposes

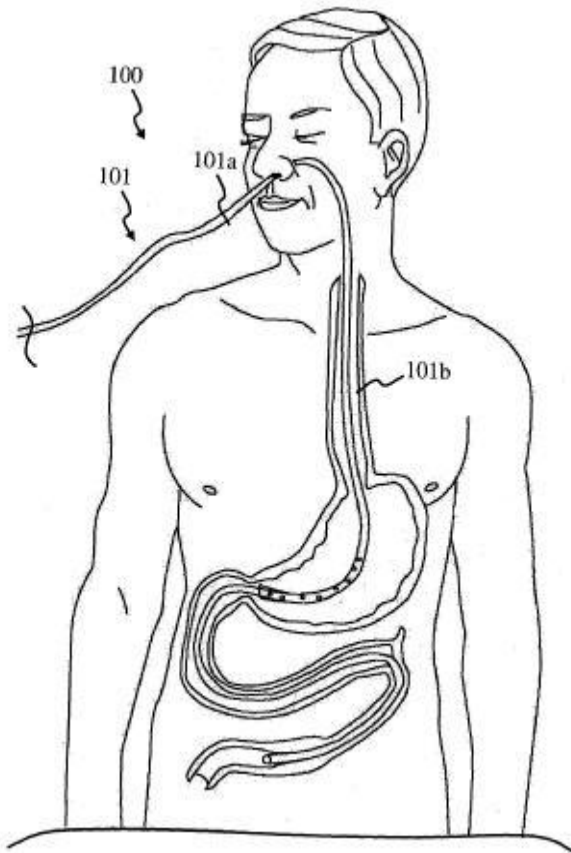
Definition statement

This place covers:

Hollow flexible conduits specially adapted, or solely intended, for the purpose of providing nutriments in fluid or fluent forms to humans by insertion of the conduits into an orifice of their bodies (e.g., enteral feeding using functioning gastrointestinal tract).

For example:

EP2067465



References

Limiting references

This place does not cover:

Infusion feeding pumps	A61M 5/142
Enteral feeding products	A61M 2202/0482

Informative references

Attention is drawn to the following places, which may be of interest for search:

Drinking tubes as tableware	A47G 21/18
-----------------------------	----------------------------

A61J 15/0015

{Gastrostomy feeding-tubes (insertion tools or methods [A61B 17/34](#))}

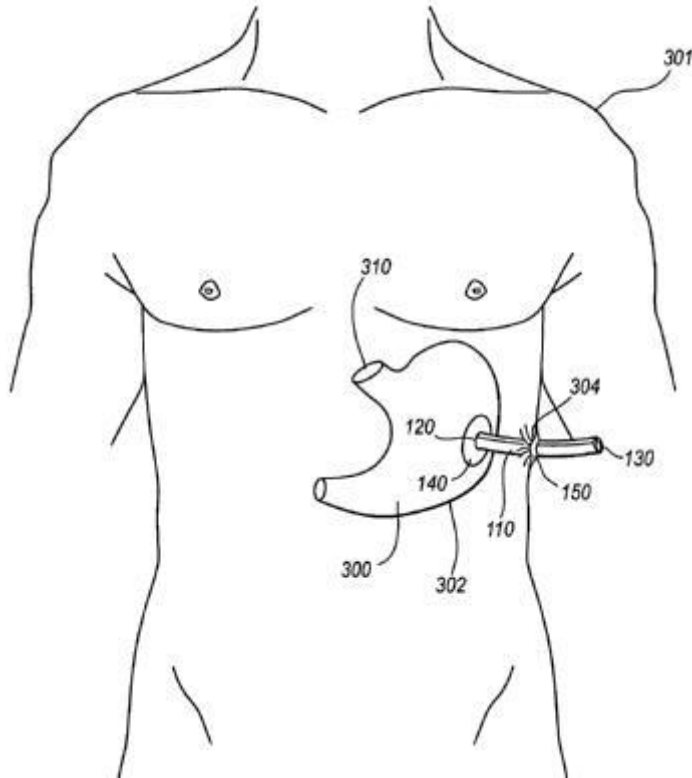
Definition statement

This place covers:

Hollow flexible conduits specially adapted, or solely intended, for the purpose of providing nutriment in fluid or fluent forms to humans by insertion of the conduits into an orifice in the patient's abdomen.

For example:

US2005267415:



References

Limiting references

This place does not cover:

Devices or methods for introducing tubes or catheters	A61B 17/3415
---	------------------------------

A61J 17/00

Baby-comforters; Teething rings

Definition statement

This place covers:

Devices that are not designed to be ingestible and are specially adapted, or solely intended, for either:

soothing, calming, or relaxing infants or young children by relieving a physical craving (e.g., oral pacifier) or

allowing infants or young children to relieve minor irritations or inflammations themselves through usage of the devices (e.g., teething devices for gum irritation).

Special rules of classification

Details on baby-comforters or teething rings are classified in the following Indexing Codes:

Details; Accessories therefor	A61J 17/10
-------------------------------	----------------------------

A61J 19/00

Devices for receiving spittle, e.g. spittoons (for dentists [A61C 17/14](#))

Definition statement

This place covers:

Devices or receptacles specially adapted, or solely intended, for receiving spittle, phlegm, or other forms of naturally occurring oral discharge from humans.

References

Limiting references

This place does not cover:

Devices for receiving spittle for dentistry	A61C 17/14
---	----------------------------

Application-oriented references

Examples of places where the subject matter of this place is covered when specially adapted, used for a particular purpose, or incorporated in a larger system:

Receptacles for taking saliva or sputum samples	A61B 10/0051
---	------------------------------

Informative references

Attention is drawn to the following places, which may be of interest for search:

Suction or pumping devices for medical purposes	A61M 1/00
---	---------------------------