

## A63B

### APPARATUS FOR PHYSICAL TRAINING, GYMNASTICS, SWIMMING, CLIMBING, OR FENCING; BALL GAMES; TRAINING EQUIPMENT (apparatus for passive exercising, massage [A61H](#))

#### Definition statement

*This place covers:*

Gymnastic or exercising apparatus or equipment, of which examples are:

- Horizontal or parallel bars, balance beams, tightropes or similar apparatus;
- Apparatus for jumping e.g. pole-vaulting poles, spring-boards, trampolines, high-jump apparatus, skipping-ropes;
- Mats for absorbing the shock of landing, e.g. in pole-vaulting;
- Freely-suspended apparatus e.g. swinging rings, trapezes, climbing-ropes;
- Climbing poles, frames or stages, clubs, hoop exercising apparatus;
- Fitness devices, exercising apparatuses for ACTIVE exercising ([A63B 21/00-A63B 24/00](#));
- Exercising apparatus for developing or strengthening muscles or joints against a counterforce, e.g. in weight training;
- Apparatus for conditioning the cardio-vascular system, e.g. exercise bikes, treadmills;
- Apparatus for conditioning particular parts of the body, e.g. particular muscle groups;
- Electric or electronic controls for such apparatus.

Climbing or mountaineering apparatus, including apparatus for climbing trees or poles; Swimming aids or equipment, e.g. fins, flippers, goggles;

- Electric or electronic controls for such apparatus.

Balls for ball games including:

- Solid balls, e.g. golf balls, cricket balls, marbles;
- Hollow non-inflatable balls, e.g. for squash rackets or tennis;
- Hollow inflatable balls e.g. for football, rugby, American football;
- Balls with special arrangements e.g. handles or eccentric centres of gravity (e.g. in bowling balls); and
- Apparatus or methods for manufacturing balls or for handling or treating them, e.g. cleaning.

Rackets, bats or other striking implements for ball games, e.g. tennis rackets and similar, golf clubs, baseball bats, cricket bats, hockey sticks.

Accessories for golf; accessories for other ball games.

Targets or goals for ball games; tennis and similar nets and accessories therefor.

Implements for throwing, e.g. darts, javelins, spears, throwing-hammers, boomerangs, discus discs, quoits, juggling clubs.

Miscellaneous sporting games, e.g. miniature golf, juggling, curling, badminton, shuttlecock or like games, games using a hockey puck; projectiles for these games which do not fall into the above category of balls for ball games.

Training appliances for particular sports, e.g. for fencing, riding, skiing, rowing, punching-balls for boxing, golf swing trainers, artificial mountain slopes.

Other games or sports accessories, e.g. indicating or scoring devices, body protectors.

## Relationships with other classification places

- Some sporting subject matter is to be found in other subclasses of class [A63](#).
- Skates, skis and their bindings, roller skates, skate-boards and the design or layout of playing-courts, rinks, bowling-greens or water-skiing areas or the like are classified in [A63C](#).
- Bowling-alleys, bowling-games and equipment for bowls (but not the balls which are in [A63B](#)) and billiards or snooker are classified in [A63D](#).
- Merry-go-rounds, swings, rocking-horses, toy animals for riding, chutes, switchbacks, water roundabouts, helter-skelters or the like are classified in [A63G](#).
- Toys are in [A63H](#).
- Racing, riding sports and equipment and accessories therefore, including race-courses and race-tracks, are in [A63K](#).

In relation to apparatus or methods for manufacturing balls, it should be borne in mind that working of plastics or substances in a plastic state is classified in class [B29](#) and the chemical or compositional aspects of balls is in Section [C](#), e.g. compositions for making golf balls are usually in subclass [C08L](#).

- Sporting subject matter can be found in other subclasses within CPC
- Methods to process and manage data is found under subclass [G06Q](#).
- ICT specially adapted for therapies or health-improving plans relating to physical therapies or activities, e.g. physiotherapy, acupuncture or exercising [G16H 20/30](#)
- Teaching a sequence of movements in sports is found in [G09B 19/0038](#).

## References

### Limiting references

*This place does not cover:*

Apparatus for passive exercising or massage	<a href="#">A61H</a>
---	----------------------

### Application-oriented references

*Examples of places where the subject matter of this place is covered when specially adapted, used for a particular purpose, or incorporated in a larger system:*

Non-skid devices or attachments for footwear, e.g. crampons	<a href="#">A43C 15/00</a>
Breathing masks or helmets for use at high altitudes	<a href="#">A62B 18/00</a>
Safety belts for climbers	<a href="#">A62B 35/00</a>
Picks	<a href="#">B25D 7/00</a>
Ladders attached to fixed structures	<a href="#">E06C 9/04</a>

### Informative references

*Attention is drawn to the following places, which may be of interest for search:*

Protective equipment in the form of clothing or garments for sporting purposes	<a href="#">A41D 13/00</a>
Uses of garments specially adapted for sport activities	<a href="#">A41D 2600/10</a>
Soft caps; hoods with protection against blows	<a href="#">A42B 1/08</a>
Helmets	<a href="#">A42B 3/00</a>
Measuring muscular strength for diagnostic purposes	<a href="#">A61B 5/22</a>
Video games	<a href="#">A63F 13/00</a>
Manufacturing sport articles	<a href="#">B21K 17/00</a>

Connecting valves to inflatable elastic bodies	<a href="#">B60C 29/00</a>
Unicycles	<a href="#">B62K 1/00</a>
Bicycles	<a href="#">B62K 3/00</a>
Vessels or like floating structures for pleasure or sport	<a href="#">B63B 34/00</a>
Life-saving in water	<a href="#">B63C 9/00</a>
Breathing aids for swimming, e.g. snorkels	<a href="#">B63C 11/12</a>
Training of parachutists	<a href="#">B64D 23/00</a>
Devices for producing mechanical power from muscle energy	<a href="#">F03G 5/00</a>
Weapons for projecting missiles	<a href="#">F41B</a>
Sling weapons	<a href="#">F41B 3/00</a>
Archers' finger tabs	<a href="#">F41B 5/1473</a>
Traps for clay-pigeon targets	<a href="#">F41J 9/18</a>
Stop watches	<a href="#">G04F</a>
Controlling member being movable by hand, e.g. joystick	<a href="#">G05G 9/047</a>
PDA - Personal Assistance Device	<a href="#">G06F 1/1626</a>
Time or attendance registers	<a href="#">G07C</a>
Signal device with lights	<a href="#">G08B 5/36</a>
Simulators for training	<a href="#">G09B 9/00</a>
Devices for exercising or strengthening of fingers or arms in teaching music	<a href="#">G09B 15/06</a>
Teaching repetitive work cycles; sequence of movements	<a href="#">G09B 19/003</a>
Displaying; advertising; signs; labels or name-plates; seals	<a href="#">G09F</a>
ICT specially adapted for therapies or health-improving plans relating to physical therapies or activities, e.g. physiotherapy, acupressure or exercising	<a href="#">G16H 20/30</a>

### Special rules of classification

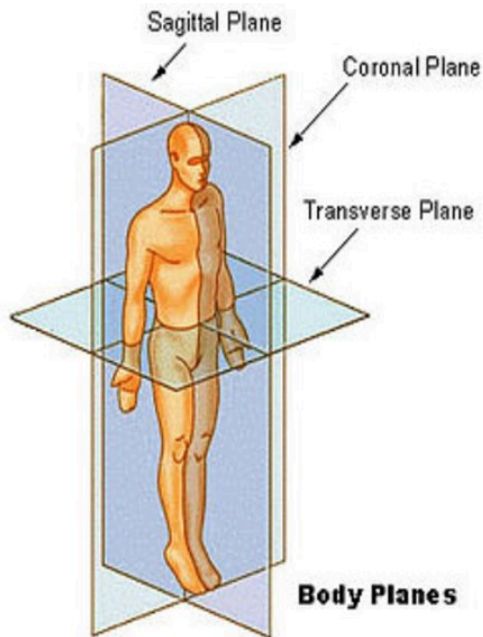
In [A63B](#), indexing codes are required whenever the additional information is relevant; also, when only an indexing code applies.

### Glossary of terms

*In this place, the following terms or expressions are used with the meaning indicated:*

Support element	an apparatus element for supporting a body part during exercising, e.g. a handle for the hand, a seat for the buttocks;
Handle	a support element for a single hand or arm (upper limb);
Pedal	a support element for a single foot or leg (lower limb);
Steps	support elements for lower limbs;
Band	a continuous support element for upper or lower limbs, used at undetermined, variable places during exercising;
Platform	a support element of an exercising apparatus, used for any body part, e.g. for both feet

Body planes



**Synonyms and Keywords**

*In patent documents, the following words/expressions are often used as synonyms:*

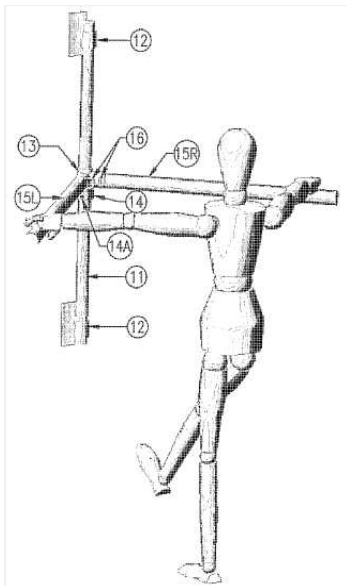
- "the body-symmetrical plane" and "midsagittal plane or median plane"

**A63B 1/00**

**Horizontal bars**

**Definition statement**

*This place covers:*



**References**

**Informative references**

Attention is drawn to the following places, which may be of interest for search:

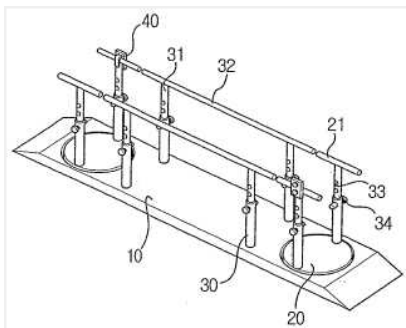
Bars for chinning, pull-ups	<a href="#">A63B 23/1218</a>
Athletics hurdles	<a href="#">A63K 3/043</a>

**A63B 3/00**

**Parallel bars or similar apparatus**

**Definition statement**

This place covers:



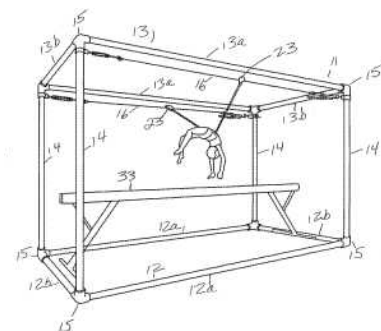
WO2007001122

**A63B 4/00**

**Balance beams**

**Definition statement**

This place covers:



US2006270523

**References**

**Limiting references**

This place does not cover:

Rope dancing	<a href="#">A63B 7/08</a>
Other apparatus for improving balance	<a href="#">A63B 26/003</a>



## References

### Limiting references

*This place does not cover:*

Mats for jumping	<a href="#">A63B 6/00</a>
Bungee jumping	<a href="#">A63G 31/00</a>
Planes mounted on springs for playing	<a href="#">A63G 31/14</a>
Devices for racing or riding sports, e.g. hurdles	<a href="#">A63K</a>

### Informative references

*Attention is drawn to the following places, which may be of interest for search:*

Elastic means are coded under	<a href="#">A63B 21/02</a>
General features for injury prevention in sport apparatuses	<a href="#">A63B 71/0054</a>
Backstops, cages, enclosures or the like	<a href="#">A63B 71/022</a>
Space saving arrangements, e.g. foldable or collapsible	<a href="#">A63B 2210/00</a>
Apparatus for multiple users	<a href="#">A63B 2225/10</a>
Floating apparatus	<a href="#">A63B 2225/605</a>
Inflatable	<a href="#">A63B 2225/62</a>
Mats or carpets for courts	<a href="#">A63C 19/04</a>
Connections of rods or tubes	<a href="#">F16B 7/00</a>

## A63B 5/11

### Trampolines

## References

### Informative references

*Attention is drawn to the following places, which may be of interest for search:*

Resilient force-resisters	<a href="#">A63B 21/02</a>
Games similar to volleyball or basketball and played on trampolines or the like, e.g. "Spaceball" or "Aeroball"	<a href="#">A63B 2067/005</a>
Protective housings covering the working parts of the apparatus	<a href="#">A63B 2071/009</a>
Jumping devices used for lowering persons from buildings or the like	<a href="#">A62B 1/22</a>

### Special rules of classification

Elastic means, e.g. springs connecting the mat with the frame of a trampoline are classified both in [A63B 5/11](#) and [A63B 21/02](#) and subgroups.

**A63B 5/22****Foot obstacles for skipping {, e.g. horizontally-rotating obstacles}****References****Informative references***Attention is drawn to the following places, which may be of interest for search:*

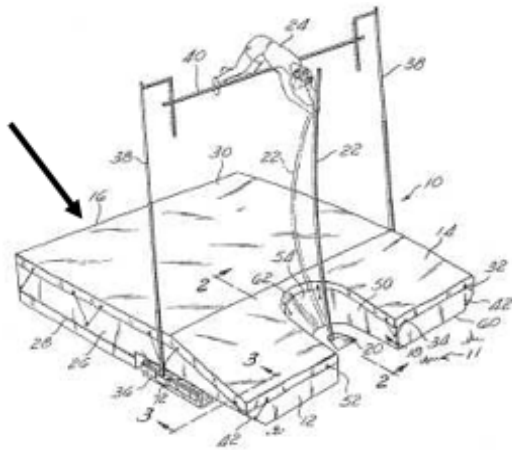
Walk exercisers without moving parts	<a href="#">A63B 23/0464</a>
Hurdling	<a href="#">A63B 2244/088</a>
Slalom gate poles, posts or marking sticks for sport fields	<a href="#">A63C 19/062</a>
Athletics hurdles	<a href="#">A63K 3/043</a>
Road signs or traffic signals in the form of a three-dimensional body, e.g. cones	<a href="#">E01F 9/654</a>

**A63B 6/00****Mats or the like for absorbing shocks for jumping, gymnastics or the like****Definition statement***This place covers:*

Mats as illustrated.







**References**

**Informative references**

Attention is drawn to the following places, which may be of interest for search:

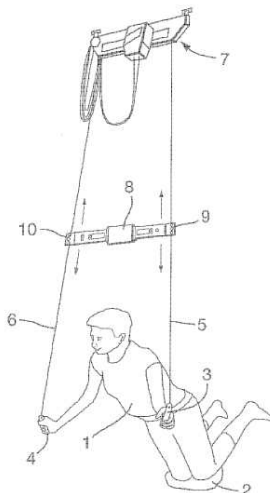
Small and/or yoga mats	<a href="#">A63B 21/4037</a>
Mats for jogging on the spot	<a href="#">A63B 69/0035</a>
Mats for golf practice	<a href="#">A63B 69/3661</a>
Stuffed or fluid mattresses specially adapted for chairs, beds or sofas	<a href="#">A47C 27/00</a>
Pavings for sport grounds	<a href="#">E01C 13/00</a>
Resiliently mounted floors	<a href="#">E04F 15/22</a>

**A63B 7/00**

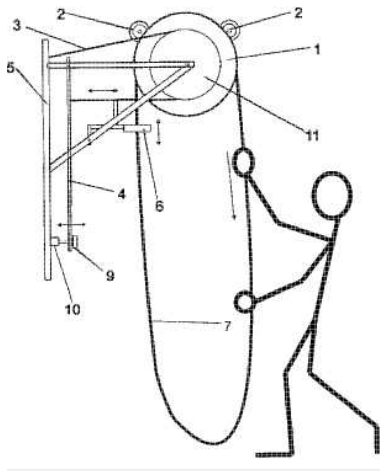
**Freely-suspended gymnastic apparatus**

**Definition statement**

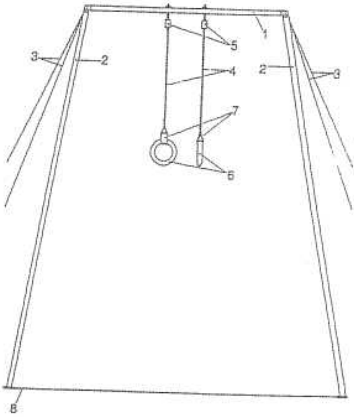
This place covers:



WO2008085058



DE102009012127



WO9108800

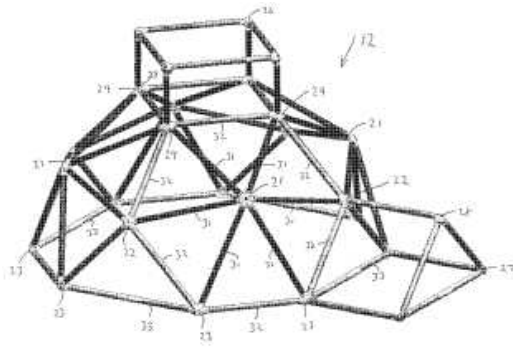
## **A63B 9/00**

**Climbing poles, frames, or stages** {(climbing walls for mountaineering training [A63B 69/0048](#); endless loop ladders [A63B 22/04](#))}

### **Definition statement**

*This place covers:*

- Poles on a flexible support;
- Rope networks;
- Grids.



WO2006079182

**References**

**Limiting references**

*This place does not cover:*

Endless loop ladders	<a href="#">A63B 22/04</a>
Climbing walls for mountaineering training	<a href="#">A63B 69/0048</a>
Playgrounds	<a href="#">A63G 31/00</a>
Playhouses, play-tents, big enough for playing inside	<a href="#">A63H 33/008</a>

**Informative references**

*Attention is drawn to the following places, which may be of interest for search:*

Flat climbing nets	<a href="#">A63B 2009/002</a>
Three-dimensional rope or cable networks	<a href="#">A63B 2009/004</a>
With water spraying means	<a href="#">A63B 2009/008</a>
Games or sport accessories for large room or outdoor sporting games	<a href="#">A63B 71/02</a>
used in water	<a href="#">A63B 2225/60</a>
inflatable	<a href="#">A63B 2225/62</a>
Planes mounted on springs	<a href="#">A63G 31/14</a>
Means for fastening cables	<a href="#">F16G 11/00</a>

**A63B 2009/006**

{Playground structures}

**References**

**Informative references**

*Attention is drawn to the following places, which may be of interest for search:*

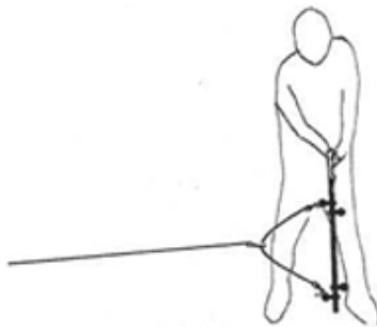
Amusement arrangements	<a href="#">A63G 31/00</a>
------------------------	----------------------------

**A63B 2009/008****{with water spraying means}****References****Informative references***Attention is drawn to the following places, which may be of interest for search:*

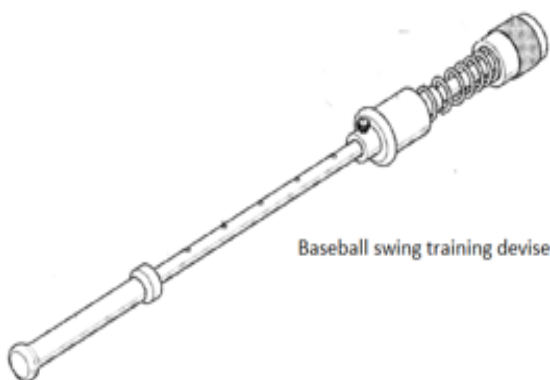
Amusement arrangements involving water	<a href="#">A63G 31/007</a>
--	-----------------------------

**A63B 15/00****Clubs for gymnastics or the like {, e.g. for swinging exercises}****Definition statement***This place covers:*

Items as shown in illustrations.



Golf training device for hitting zone. Exercises are repetitive.



Baseball swing training device

**References****Informative references***Attention is drawn to the following places, which may be of interest for search:*

Resistances to the movement of the club	<a href="#">A63B 21/00</a>
Special means for attachment of arms or hands to exercising or sports equipment	<a href="#">A63B 21/4017</a>

Substantially flexible shafts, hinged shafts	<a href="#">A63B 60/0081</a>
Telescopic shaft	<a href="#">A63B 60/0085</a>
Juggling games using sticks or discs	<a href="#">A63B 67/086</a>
Normal golf clubs with directly attached weights for training	<a href="#">A63B 69/3638</a>

## **A63B 15/005**

**{with a weight movable along the longitudinal axis of the club due to centrifugal forces}**

### **References**

#### **Informative references**

*Attention is drawn to the following places, which may be of interest for search:*

Movable ballast means for adjusting the centre of mass of golf clubs, bats, rackets or the like	<a href="#">A63B 60/04</a>
---	----------------------------

## **A63B 15/02**

**with illuminating devices**

### **References**

#### **Informative references**

*Attention is drawn to the following places, which may be of interest for search:*

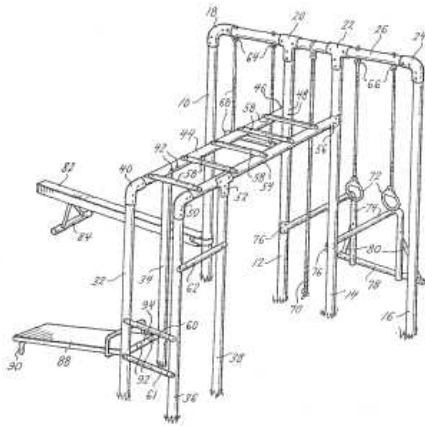
Powered illuminating means	<a href="#">A63B 2225/74</a>
Exercising or sporting devices provided with means enabling use in the dark	<a href="#">A63B 2225/76</a>

**A63B 17/00**

**Exercising apparatus combining several parts such as ladders, rods, beams, slides**

**Definition statement**

*This place covers:*



US4278250

**References****Informative references**

*Attention is drawn to the following places, which may be of interest for search:*

Space saving	<a href="#">A63B 2210/00</a>
Used in water	<a href="#">A63B 2225/60</a>

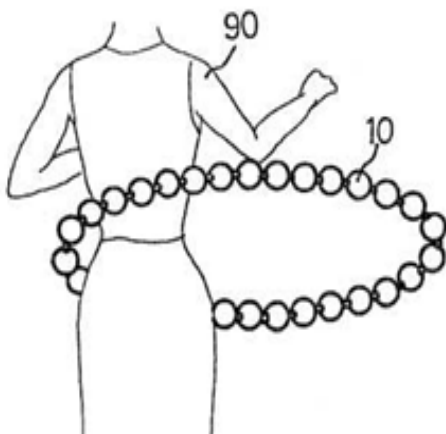
**A63B 19/00**

**Hoop exercising apparatus {([A63B 21/0608](#) takes precedence)}**

**Definition statement**

*This place covers:*

Non-eccentric hoop exercisers (e.g. Hula hoops). The following image show a hoop 10 positioned to engage with a portion of the waist of person 90.



## References

### Limiting references

*This place does not cover:*

Eccentric weights put into orbital motion by nutating movement of the user	<a href="#">A63B 21/0608</a>
--	------------------------------

### Informative references

*Attention is drawn to the following places, which may be of interest for search:*

Space saving	<a href="#">A63B 2210/00</a>
Used in water	<a href="#">A63B 2225/60</a>
Inflatable	<a href="#">A63B 2225/62</a>
Spinning hoops, whirling amusement devices, orbiting toys	<a href="#">A63F 7/382</a>
Rolling drums, turning somersaults with or without rolling seats	<a href="#">A63G 29/00</a>
Hoop movement apparatuses not driven by the user, e.g. motor driven	<a href="#">A63G 31/00</a>
Toy hoops, i.e. rings to be rolled by separate sticks	<a href="#">A63H 33/02</a>

## A63B 19/02

**Freely-movable rolling hoops, e.g. gyrowheels {or spheres or cylinders, carrying the user inside (resisting devices overcoming gyroscopic forces of rotating bodies [A63B 21/22](#); standing on it for equilibrium exercises [A63B 26/003](#))}**

## References

### Limiting references

*This place does not cover:*

Resisting devices overcoming gyroscopic forces of rotating bodies	<a href="#">A63B 21/22</a>
Standing on it for equilibrium exercises	<a href="#">A63B 26/003</a>

### Informative references

*Attention is drawn to the following places, which may be of interest for search:*

Spherical hulls or hulls in the shape of a vertical ring for use in water	<a href="#">B63B 1/047</a>
---	----------------------------

## A63B 21/00

**Exercising apparatus for developing or strengthening the muscles or joints of the body by working against a counterforce, with or without measuring devices (electric or electronic controls therefor [A63B 24/00](#))**

## Definition statement

*This place covers:*

This main group covers the construction features of the apparatuses for ACTIVE exercising

## References

### Limiting references

*This place does not cover:*

Electric or electronic control	<a href="#">A63B 24/00</a>
--------------------------------	----------------------------

### Application-oriented references

*Examples of places where the subject matter of this place is covered when specially adapted, used for a particular purpose, or incorporated in a larger system:*

These further different aspects should be considered while classifying the apparatuses for active physical exercising (see also the flowchart annexed after [A63B 24/00](#) and the Classification examples for [A63B 22/00](#)):

Use for cardio-vascular, agility or coordination	<a href="#">A63B 22/00</a>
Use of the apparatus for strength training	<a href="#">A63B 23/00</a>

### Informative references

*Attention is drawn to the following places, which may be of interest for search:*

Means for physically limiting movements of body parts	<a href="#">A63B 69/0057</a>
Position of the user during training	<a href="#">A63B 2208/00</a>
Space saving, e.g. collapsible	<a href="#">A63B 2210/00</a>
Sensors	<a href="#">A63B 2220/00</a>
Multi station exercising machines	<a href="#">A63B 2225/105</a>
Measuring muscular strength	<a href="#">A61B 5/22</a>

### Special rules of classification

- Force transmission means: [A63B 21/15](#);
- Kind of resistance of fitness devices: [A63B 21/00189](#), [A63B 21/00192](#), [A63B 21/00196](#), [A63B 21/005](#) - [A63B 21/078](#), [A63B 21/22](#);
- Interface with the user: [A63B 21/00043](#), [A63B 21/28](#), [A63B 21/40](#), [A63B 21/4025](#);
- Supports for anchoring force resistors: [A63B 21/04](#), [A63B 21/16](#).





[A63B 21/068](#), [A63B 21/072](#), [A63B 21/075](#), [A63B 21/078](#), [A63B 21/15](#), [A63B 21/151](#), [A63B 21/157](#),  
[A63B 21/158](#), [A63B 21/159](#), [A63B 21/22](#), [A63B 21/225](#), [A63B 21/28](#), [A63B 21/285](#), [A63B 22/00](#),  
[A63B 23/00](#), [A63B 24/00](#), [A63B 71/06](#).

## A63B 21/0004

{Exercising devices moving as a whole during exercise (bar bells or dumb bells [A63B 21/072](#); on wheels [A63B 22/20](#))}

### References

#### Limiting references

*This place does not cover:*

Weights moving upon horizontal plane	<a href="#">A63B 21/0618</a>
Weight worn on user's body	<a href="#">A63B 21/065</a>
Free weights, Dumbbells and Barbells	<a href="#">A63B 21/072</a>
Resisting device worn on user's body	<a href="#">A63B 21/4025</a>
Moving as a whole on wheel	<a href="#">A63B 22/20</a>

## A63B 21/00043

{Exercising devices consisting of a pair of user interfaces connected by flexible elements, e.g. two handles connected by elastic bands (skipping ropes [A63B 5/20](#); resilient elements [A63B 21/02](#))}

### References

#### Limiting references

*This place does not cover:*

Skipping ropes	<a href="#">A63B 5/20</a>
Using resilient force-resistors	<a href="#">A63B 21/02</a>

#### Informative references

*Attention is drawn to the following places, which may be of interest for search:*

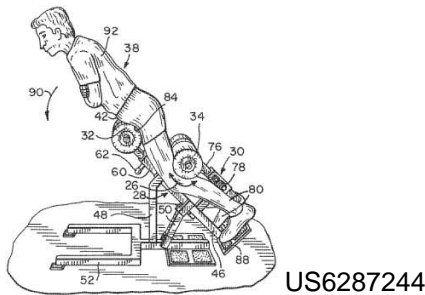
Buckles with strap length adjustment	<a href="#">A44B 11/2557</a>
--------------------------------------	------------------------------

**A63B 21/00047**

{Exercising devices not moving during use (benches [A63B 21/4029](#); isometric exercising devices [A63B 21/0023](#); step exercisers [A63B 23/0458](#); walk exercisers [A63B 23/0464](#))}

**Definition statement**

*This place covers:*

**References****Limiting references**

*This place does not cover:*

Exercising device moving as a whole during use	<a href="#">A63B 21/0004</a>
Isometric exercising devices	<a href="#">A63B 21/0023</a>
Benches	<a href="#">A63B 21/4029</a>
Step exercisers without moving parts	<a href="#">A63B 23/0458</a>
Walk exercisers without moving parts	<a href="#">A63B 23/0464</a>
Support for the head or the back	<a href="#">A47C 7/36</a>

**A63B 21/00058**

{Mechanical means for varying the resistance ([A63B 21/06](#) takes precedence)}

**References****Limiting references**

*This place does not cover:*

Variation of the resistance for weight resistance	<a href="#">A63B 21/06</a>
Electronic variation of resistance	<a href="#">A63B 24/00</a>

**A63B 21/00178**

{for active exercising, the apparatus being also usable for passive exercising}

**References****Limiting references**

*This place does not cover:*

Apparatus for passive exercising	<a href="#">A61H 1/00</a>
----------------------------------	---------------------------

**A63B 21/00181**

{comprising additional means assisting the user to overcome part of the resisting force, i.e. assisted-active exercising}

**References****Informative references**

*Attention is drawn to the following places, which may be of interest for search:*

Isokinetic exercising	<a href="#">A63B 21/002</a>
-----------------------	-----------------------------

**A63B 21/00185**

{using resistance provided by the user, e.g. exercising one body part against a resistance provided by another body part ([A63B 21/068](#) takes precedence; isometric exercise [A63B 21/0023](#))}

**References****Limiting references**

*This place does not cover:*

Using user's body weight	<a href="#">A63B 21/068</a>
--------------------------	-----------------------------

**Informative references**

*Attention is drawn to the following places, which may be of interest for search:*

Isometric exercising	<a href="#">A63B 21/0023</a>
----------------------	------------------------------

**A63B 21/00189**

{using resistance provided by plastic deformable materials, e.g. lead bars or kneadable masses (resilient force-resistors made of material having high internal friction [A63B 21/028](#))}

**References****Limiting references**

*This place does not cover:*

Elastic materials with internal friction	<a href="#">A63B 21/028</a>
--	-----------------------------

**Informative references**

*Attention is drawn to the following places, which may be of interest for search:*

Resilient force-resistors made of material having high internal friction	<a href="#">A63B 21/028</a>
--	-----------------------------

**A63B 21/00192**

{using resistance provided by magnetic means ([A63B 21/005](#) takes precedence)}

**References****Limiting references**

*This place does not cover:*

Electromagnetic means	<a href="#">A63B 21/005</a>
-----------------------	-----------------------------

**A63B 21/00196**

{using pulsed counterforce, e.g. vibrating resistance means ([A61H 1/005](#) takes precedence)}

**References****Limiting references**

*This place does not cover:*

Passive vibrating platform	<a href="#">A61H 1/005</a>
----------------------------	----------------------------

**A63B 21/002**

**isometric or isokinetic, i.e. substantial force variation without substantial muscle motion {or wherein the speed of the motion is independent of the force applied by the user}**

**Glossary of terms**

*In this place, the following terms or expressions are used with the meaning indicated:*

Isometric exercise	a type of strength training in which the joint angle and muscle length do not change during contraction;
Isokinetic exercise	dynamic muscle activity performed at a constant angular velocity; torque and tension remain constant while muscles shorten or lengthen;
Isotonic exercise	active exercise without appreciable change in the force of muscular contraction, with shortening of the muscle.

**A63B 21/005**

**using electromagnetic or electric force-resisters**

**References****Limiting references**

*This place does not cover:*

Details of magnetic circuit	<a href="#">H02K 1/24</a>
-----------------------------	---------------------------

**A63B 21/0051**

**{using eddy currents induced in moved elements, e.g. by permanent magnets}**

**References****Informative references**

*Attention is drawn to the following places, which may be of interest for search:*

Eddy-current type dynamo-electric brakes	<a href="#">H02K 49/04</a>
--	----------------------------

**A63B 21/0053**

**{using alternators or dynamos}**

**References****Informative references**

*Attention is drawn to the following places, which may be of interest for search:*

Producing mechanical power from muscles	<a href="#">F03G 5/00</a>
Distribution network	<a href="#">H02J 3/008</a>

**A63B 21/008**

using hydraulic or pneumatic force-resisters

**References****Limiting references**

*This place does not cover:*

Hydraulic transmissions	<a href="#">A63B 21/158</a>
-------------------------	-----------------------------

**A63B 21/0083**

{of the piston-cylinder type (using pneumatic piston-cylinder type force resistors [A63B 21/0087](#))}

**References****Limiting references**

*This place does not cover:*

using pneumatic piston-cylinder type force resistors	<a href="#">A63B 21/0087</a>
--	------------------------------

**Informative references**

*Attention is drawn to the following places, which may be of interest for search:*

Shock absorbers in general	<a href="#">F16F 9/00</a>
----------------------------	---------------------------

**A63B 21/0087**

{of the piston-cylinder type (using hydraulic piston-cylinder type force resistors [A63B 21/0083](#))}

**References****Informative references**

*Attention is drawn to the following places, which may be of interest for search:*

using hydraulic piston-cylinder type force resistors	<a href="#">A63B 21/0083</a>
--	------------------------------

**A63B 21/012**

using frictional force-resisters {(electromagnetically-controlled brakes [A63B 21/0056](#))}

**References****Limiting references**

*This place does not cover:*

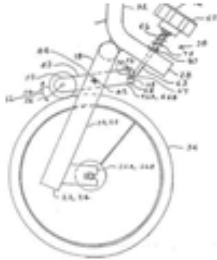
Electromagnetic controlled friction brakes	<a href="#">A63B 21/0056</a>
--	------------------------------

## A63B 21/0125

{with surfaces rolling against each other without substantial slip}

### Definition statement

*This place covers:*



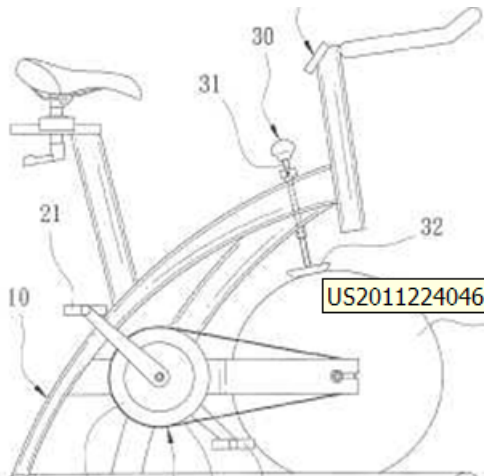
US2004248700

## A63B 21/015

including rotating or oscillating elements {rubbing against fixed elements}

### Definition statement

*This place covers:*



US2011224046

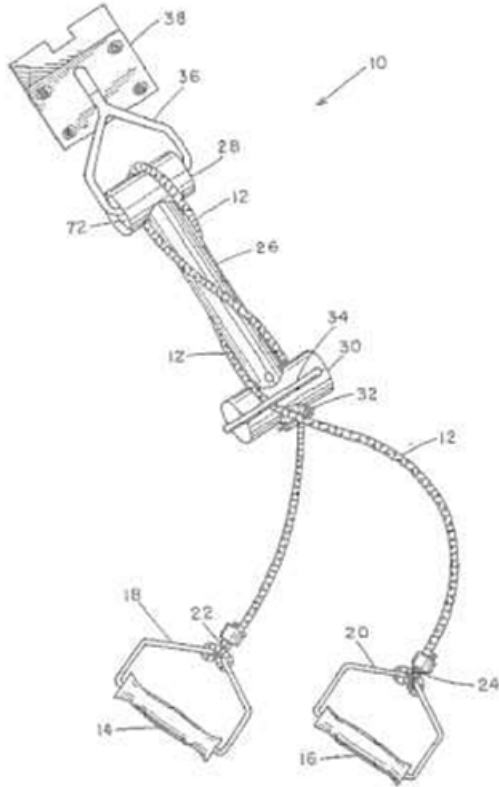


**A63B 21/018**

including a rope {or other flexible element} moving relative to the surface of elements

**Definition statement**

*This place covers:*



US4560160

**A63B 21/02**

using resilient force-resisters

**References****Informative references**

*Attention is drawn to the following places, which may be of interest for search:*

Support for anchoring non-resilient force resistors	<a href="#">A63B 21/16</a>
---	----------------------------

**A63B 21/028**

{made of material having high internal friction, e.g. rubber, steel wool, intended to be compressed (resistance provided by plastic deformable materials [A63B 21/00189](#))}

**References****Informative references**

Attention is drawn to the following places, which may be of interest for search:

resistance provided by plastic deformable materials	<a href="#">A63B 21/00189</a>
---	-------------------------------

**A63B 21/06****User-manipulated weights****References****Informative references**

Attention is drawn to the following places, which may be of interest for search:

Benches for exercising	<a href="#">A63B 21/4029</a>
------------------------	------------------------------

**A63B 21/0608**

{Eccentric weights put into orbital motion by nutating movement of the user}

**References****Informative references**

Attention is drawn to the following places, which may be of interest for search:

Symmetric devices, e.g. hula hoops, put into orbital motion	<a href="#">A63B 19/00</a>
---	----------------------------

**A63B 21/15**

{Arrangements for force transmissions}

**Definition statement**

*This place covers:*

Transmission means between the resistance means and the interface with the user.

**A63B 21/16****Supports for anchoring force-resisters****References****Informative references**

Attention is drawn to the following places, which may be of interest for search:

Freely suspended gymnastic apparatus	<a href="#">A63B 7/00</a>
--------------------------------------	---------------------------

Supports for resilient resistors	<a href="#">A63B 21/04</a>
Fastening household utensils to tables, walls or the like	<a href="#">A47G 29/087</a>

## A63B 21/1609

{for anchoring on a chair (chairs with exercising means [A47C 9/002](#))}

### References

#### Informative references

Attention is drawn to the following places, which may be of interest for search:

Chairs with exercising means	<a href="#">A47C 9/002</a>
------------------------------	----------------------------

## A63B 21/22

Resisting devices with rotary bodies {([A63B 21/0608](#) takes precedence)}

### References

#### Limiting references

This place does not cover:

Eccentric weights put into orbital motion by the user	<a href="#">A63B 21/0608</a>
---	------------------------------

## A63B 21/28

Devices for two persons operating in opposition {or in cooperation}

### Definition statement

This place covers:

Also two persons operating in co-operation

### References

#### Limiting references

This place does not cover:

Resistance force provided by the user himself	<a href="#">A63B 21/00185</a>
---	-------------------------------

## A63B 21/4001

{Arrangements for attaching the exercising apparatus to the user's body, e.g. belts, shoes or gloves specially adapted therefor (weights worn on the user's body [A63B 21/065](#); exoskeletons in general [B25J 9/0006](#), for aiding patients or disabled persons to walk about [A61H 3/00](#))}

### References

#### Informative references

Attention is drawn to the following places, which may be of interest for search:

Exoskeletons in general	<a href="#">B25J 9/0006</a>
-------------------------	-----------------------------

## A63B 21/4037

{Exercise mats for personal use, with or without hand-grips or foot-grips, e.g. for Yoga or supine floor exercises (mats for absorbing shocks [A63B 6/00](#))}

### References

#### Limiting references

This place does not cover:

Mats for absorbing shocks	<a href="#">A63B 6/00</a>
---------------------------	---------------------------

## A63B 22/00

Exercising apparatus specially adapted for conditioning the cardio-vascular system, for training agility or co-ordination of movements (force-resisting aspects [A63B 21/00](#); {for particular parts of the body, e.g. to strengthen particular limbs or muscles [A63B 23/00](#); } electric or electronic controls therefor [A63B 24/00](#))

### References

#### Limiting references

This place does not cover:

Use of the apparatus for strength training	<a href="#">A63B 23/00</a>
Passive stretching or bending	<a href="#">A61H 1/02</a>

### Special rules of classification

The use of exercising apparatuses for ACTIVE physical training for cardio vascular, agility or coordination.

Within [A63B 22/00](#) the main different aspects to be classified are:

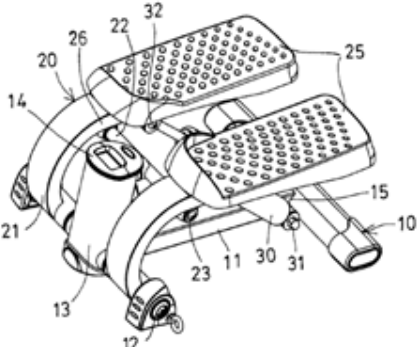
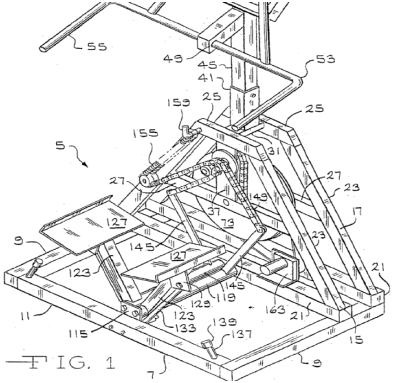
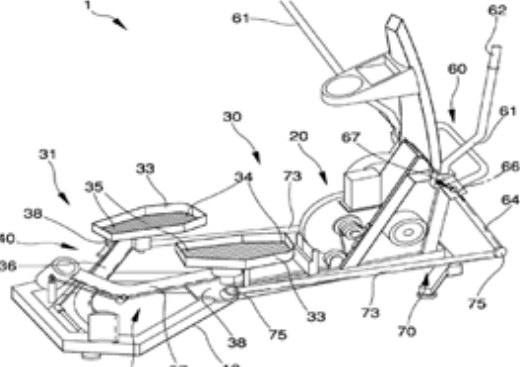
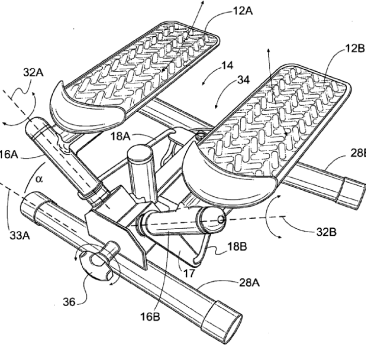
which limbs ([A63B 22/0002](#)); movement-path direction ([A63B 2022/0028](#));

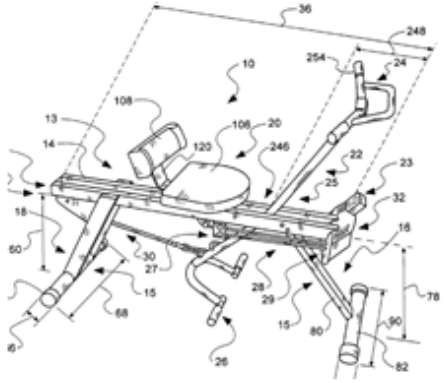
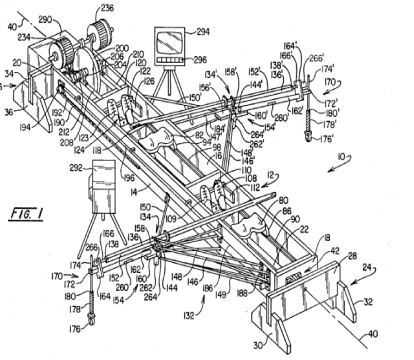
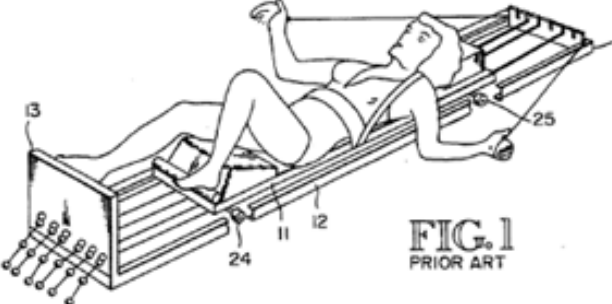
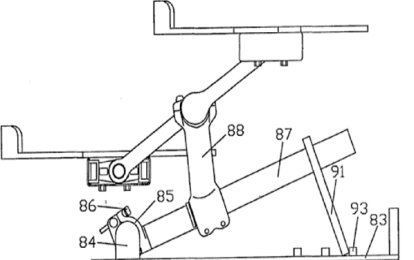
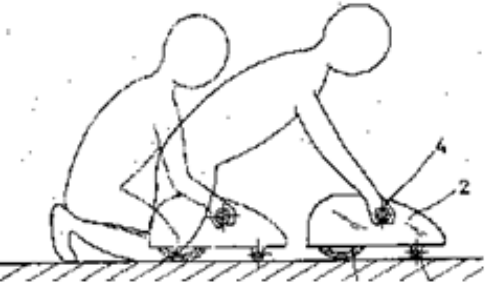
combination of movements ([A63B 2022/0033](#)-[A63B 2022/0043](#)); Adjustability of path ([A63B 22/0015](#)); kind of path ([A63B 22/0048](#)-[A63B 22/20](#)).



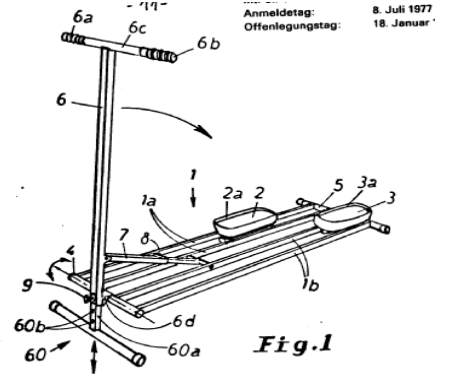
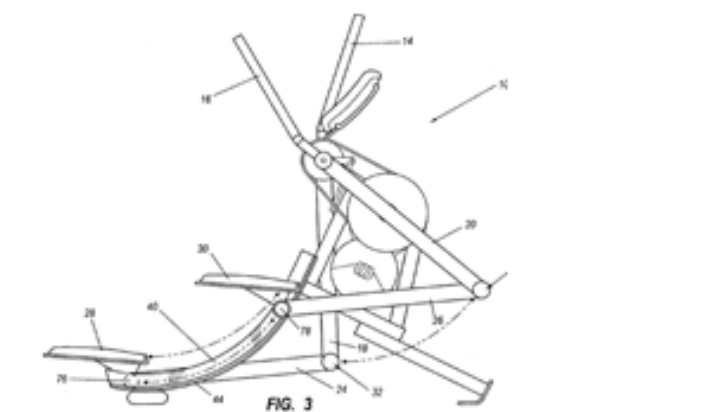
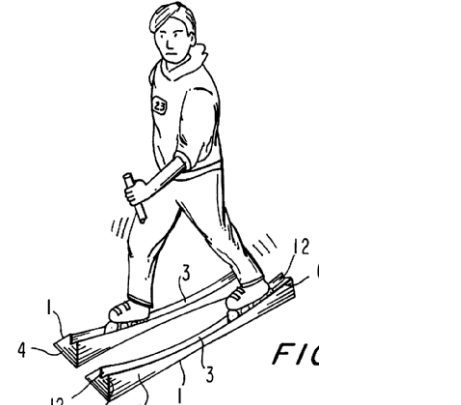
Examples in subject matters classify in this group

	<p><a href="#">A63B 22/001</a> : arms and legs simultaneously ; <a href="#">A63B 22/0061</a> : support pivoting in a horizontal plane ; <a href="#">A63B 22/0664</a> : Elliptical movement ; <a href="#">A63B 2022/067</a> : crank and handles being on opposite sides</p>
<p><a href="#">A63B 22/0012</a> : arms and legs being functionally independent. <a href="#">A63B 22/203</a> : using rollers in a horizontal plane ; <a href="#">A63B 22/0664</a> : Elliptical movement ; <a href="#">A63B 2022/0676</a> : crank and handles being on the same side</p>	
	<p><a href="#">A63B 22/001</a> : arms and legs simultaneously ; <a href="#">A63B 22/0005</a> : with particular movement of the arms provided by handles. <a href="#">A63B 22/0664</a> : Elliptical movement ; <a href="#">A63B 2022/0682</a> : support elements being cantilevered</p>
<p><a href="#">A63B 22/001</a> : arms and legs simultaneously ; <a href="#">A63B 22/0061</a> : support pivoting in a horizontal plane ; <a href="#">A63B 22/0664</a> : Elliptical movement ; <a href="#">A63B 2022/0688</a> : cranks being substantially within the horizontal moving range of the support elements</p>	

		<p><a href="#">A63B 22/0056</a> : stepper in vertical plane If not in anti-phase;  <a href="#">A63B 2022/0033</a> : simultaneously ;  <a href="#">A63B 2022/0038</a> : independently</p>
<p><a href="#">A63B 22/0058</a> : stepper, vertical plane is body-plane ;  <a href="#">A63B 2022/0053</a> : parallelogram If one-way clutches ;  <a href="#">A63B 21/157</a> : ratchet-wheel links ; <a href="#">A63B 2022/0038</a>: foot moving independently</p>		
		<p><a href="#">A63B 22/001</a> : arms and legs simultaneously ; <a href="#">A63B 22/0069</a> : pivoting around inclined axis ;  <a href="#">A63B 2022/0071</a> : axis behind ;  <a href="#">A63B 69/0022</a> : for skating ;  <a href="#">A63B 69/182</a>: cross-count</p>
<p><a href="#">A63B 22/0069</a> : pivoting around inclined axis ;  <a href="#">A63B 2022/0074</a> : axes in front not ; <a href="#">A63B 22/0066</a> because movement downward-outward</p>		

	<p><a href="#">A63B 22/0076</a> : Rowing ;  <a href="#">A63B 2022/0084</a> : handlebar with horizontal axis ;  <a href="#">A63B 22/0089</a>: a counterforce being provided to the seat</p>
<p><a href="#">A63B 69/06</a> : for rowing ; <a href="#">A63B 2022/0082</a> : pivoting handlebars ; <a href="#">A63B 21/285</a> : 2 in cooperation ;  <a href="#">A63B 2225/107</a>: multi-station, same kind of resistance</p>	
	<p><a href="#">A63B 22/0089</a> : resistance provided to seat ; <a href="#">A63B 22/001</a>: for arms and legs</p>
<p><a href="#">A63B 22/0694</a> : cycling movement, without integral seat, to be placed in front of a chair ; <a href="#">A63B 22/0605</a> : circular ;  <a href="#">A63B 22/0023</a>: inclination adjustable</p>	
	<p><a href="#">A63B 22/20</a> : using rollers over the floor ; <a href="#">A63B 21/0004</a> : moving as a whole</p>



<p><a href="#">A63B 22/203</a> : translating horizontally ; <a href="#">A63B 2022/0038</a> : foot supports moving independently ; <a href="#">A63B 22/0023</a>: adjusting inclination</p>	
	<p><a href="#">A63B 22/001</a> : Arms and legs simultaneously ; <a href="#">A63B 22/205</a> : translating substantially vertically ; <a href="#">A63B 2022/206</a>: on a curved path</p>
<p><a href="#">A63B 22/0012</a> : Arms and legs simultaneously, independently ; <a href="#">A63B 22/203</a> : translating horizontally ; <a href="#">A63B 2022/206</a> : on a curved path ; <a href="#">A63B 2022/0038</a> : feet moving independently ; <a href="#">A63B 2022/0035</a>: hands moving independently</p>	

## A63B 22/0002

{involving an exercising of arms (for strengthening the upper limbs [A63B 23/12](#))}

### References

#### Informative references

Attention is drawn to the following places, which may be of interest for search:

Exercising the strength of the upper limbs	<a href="#">A63B 23/12</a>
--	----------------------------

### Special rules of classification

Exercising of legs is not classified per se, only in combination with arms.

**A63B 22/001**

{by simultaneously exercising arms and legs, e.g. diagonally in anti-phase  
([A63B 22/0076](#) takes precedence)}

**References****Limiting references**

*This place does not cover:*

Rowing machines	<a href="#">A63B 22/0076</a>
-----------------	------------------------------

**Glossary of terms**

*In this place, the following terms or expressions are used with the meaning indicated:*

Diagonally	left arm with right leg
Anti-phase	when the right leg moves forward, the left legs moves rearward

**A63B 22/0015**

{with an adjustable movement path of the support elements}

**References****Limiting references**

*This place does not cover:*

Adjusting the resistance	<a href="#">A63B 21/00058</a>
--------------------------	-------------------------------

**A63B 22/0025**

{Particular aspects relating to the orientation of movement paths of the limbs  
relative to the body; Relative relationship between the movements of the limbs}

**References****Limiting references**

*This place does not cover:*

for strength training	<a href="#">A63B 23/03516</a>
-----------------------	-------------------------------

## A63B 22/0046

{Details of the support elements or their connection to the exercising apparatus, e.g. adjustment of size or orientation (attachments of resisters or weights to the body of the user [A63B 21/4001](#); using rollers, wheels, castors or gliding means to be moved over the floor or guide tracks [A63B 22/20](#))}

### References

#### Limiting references

*This place does not cover:*

Attachment of resisters or weights to the user	<a href="#">A63B 21/4001</a>
Using rollers, wheels, castors or gliding means to be moved over the floor or guide tracks	<a href="#">A63B 22/20</a>

## A63B 22/0048

{with cantilevered support elements pivoting about an axis ([A63B 22/0076](#) takes precedence)}

### References

#### Informative references

*Attention is drawn to the following places, which may be of interest for search:*

Rowing machines	<a href="#">A63B 22/0076</a>
-----------------	------------------------------

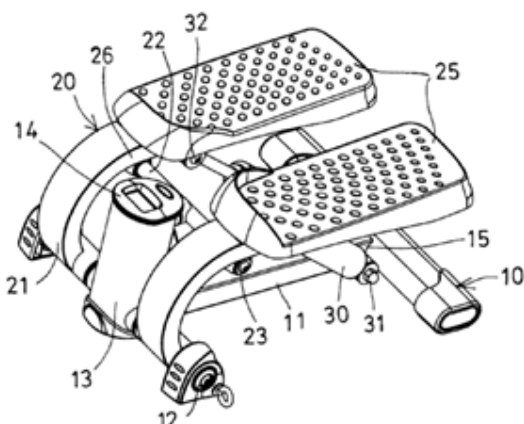
## A63B 22/0056

{the pivoting movement being in a vertical plane, e.g. steppers with a horizontal axis (platforms for rocking motion about a horizontal axis [A63B 22/16](#))}

### Definition statement

*This place covers:*

The support elements are cantilevered and pivot about an axis, the axis being outside the vertical projection of the support elements.



**References**

**Limiting references**

*This place does not cover:*

Platforms for rocking motion about a horizontal axis	<a href="#">A63B 22/16</a>
--	----------------------------

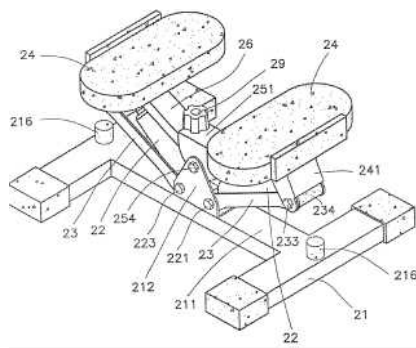
**A63B 22/0058**

{the vertical plane being the frontal body-plane}

**Definition statement**

*This place covers:*

Movement on the frontal plane of the user, side-to side movement path, not forwards/backwards.



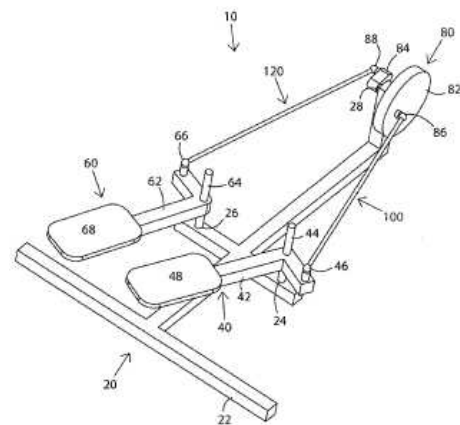
US2003008750

**A63B 22/0061**

{the pivoting movement being in a horizontal plane, e.g. skating movement (platforms for reciprocating rotating motion about a vertical axis [A63B 22/14](#))}

**Definition statement**

*This place covers:*



US2009239713

## References

### Limiting references

*This place does not cover:*

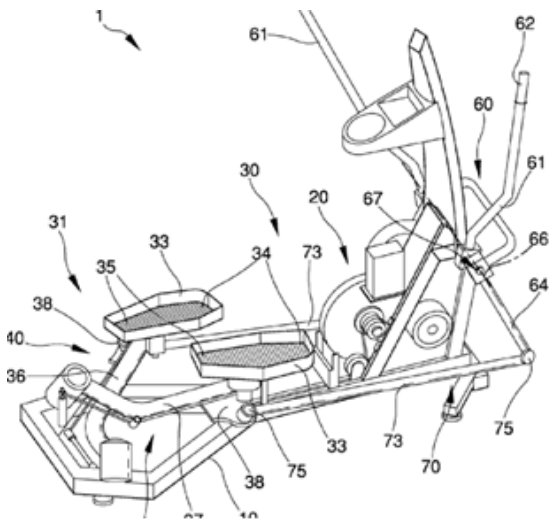
Platforms for reciprocating rotating motion about a vertical axis	<a href="#">A63B 22/14</a>
---	----------------------------

## A63B 22/0069

{about an axis inclined with respect to the horizontal plane, e.g. steppers with an inclined axis}

### Definition statement

*This place covers:*



## A63B 22/0076

{Rowing machines for conditioning the cardio-vascular system (seats moving during exercise [A63B 22/0087](#); training appliances for rowing or sculling on boats [A63B 69/06](#))}

### Relationships with other classification places

Training appliances for rowing or sculling on boats [A63B 69/06](#)

Seats moving during exercise has to be classified in [A63B 22/0087](#)

## A63B 22/0087

{with a seat or torso support moving during the exercise, e.g. reformers ([A63B 22/0076](#) takes precedence)}

## References

### Limiting references

*This place does not cover:*

Pivoting movement to be classified in	<a href="#">A63B 22/0048</a>
---------------------------------------	------------------------------

**Special rules of classification**

Translation movement not classified

**A63B 2022/0092**

{for training agility or co-ordination of movements}

**References****Informative references**

Attention is drawn to the following places, which may be of interest for search:

Visualisation or indication relating to symmetrical exercise	<a href="#">A63B 2071/0652</a>
--	--------------------------------

**A63B 2022/0094**

{for active rehabilitation, e.g. slow motion devices}

**References****Informative references**

Attention is drawn to the following places, which may be of interest for search:

Passive rehabilitation	<a href="#">A61H 1/00</a>
------------------------	---------------------------

**A63B 2022/0097**

{for avoiding blood stagnations, e.g. Deep Vein Thrombosis [DVT]}

**References****Informative references**

Attention is drawn to the following places, which may be of interest for search:

Passive devices therefore	<a href="#">A61H 2209/00</a>
---------------------------	------------------------------

**A63B 22/02**

with movable endless bands {, e.g. treadmills (other training appliances for running on the spot [A63B 69/0028](#))}

**Relationships with other classification places**

Exercise equipments for training animals. [A01K 15/027](#)

**References****Limiting references**

This place does not cover:

Belts for conveyors	<a href="#">B65G 15/30</a>
Treadmills for producing mechanical power	<a href="#">F03G 5/025</a>

**Informative references**

Attention is drawn to the following places, which may be of interest for search:

Shock absorbing means for treadmills	<a href="#">A63B 22/0207</a>
Physical characteristics of the belt of a treadmill	<a href="#">A63B 22/0285</a>
Treadmills with separate belt for each leg, e.g. dual deck	<a href="#">A63B 22/0292</a>
Other training appliances for running on the spot	<a href="#">A63B 69/0028</a>
For wheelchair users	<a href="#">A63B 2071/0018</a>
Space saving	<a href="#">A63B 2210/50</a>
Measuring or simulating ambient conditions (e.g. wind)	<a href="#">A63B 2220/70</a>
Suspension devices for supporting the body	<a href="#">A61H 3/008</a>

**A63B 22/0242**

{with speed variation}

**References****Informative references**

Attention is drawn to the following places, which may be of interest for search:

Controlled by user's position on the belt	<a href="#">A63B 2024/0093</a> , <a href="#">A63B 2220/13</a>
---	--

**A63B 22/04**

with movable {multiple} steps {, i.e. more than one step per limb, e.g. steps mounted on endless loops, endless ladders (steppers with cantilevered support elements pivoting about an axis [A63B 22/0048](#))}

**Definition statement**

*This place covers:*

If not differently coded the steps or platforms reciprocate in anti-phase (when one leg moves forwards, the other leg moves rearwards).

**References****Limiting references**

*This place does not cover:*

Steppers with cantilevered support elements pivoting about an axis	<a href="#">A63B 22/0048</a>
--	------------------------------

**A63B 22/06**

with {support elements performing a} rotating cycling movement, {i.e. a closed path movement} (support stands for bicycles [A63B 69/16](#); unicycles [B62K 1/00](#))

**References****Limiting references**

*This place does not cover:*

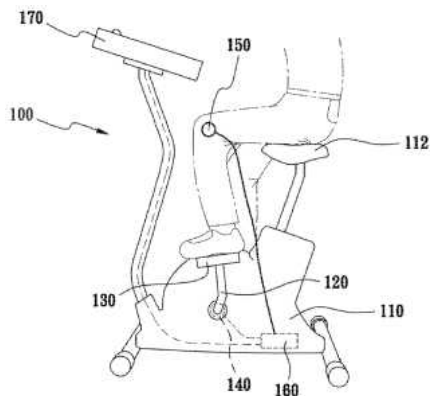
Support stands for bicycles	<a href="#">A63B 69/16</a>
Rotating cycling movement for PASSIVE exercising	<a href="#">A61H 1/0214</a>
Unicycles	<a href="#">B62K 1/00</a>

**A63B 22/0605**

{performing a circular movement, e.g. ergometers}

**Definition statement**

*This place covers:*



US2010248905

**Relationships with other classification places**

Bicycles	<a href="#">B62K 3/00</a>
----------	---------------------------

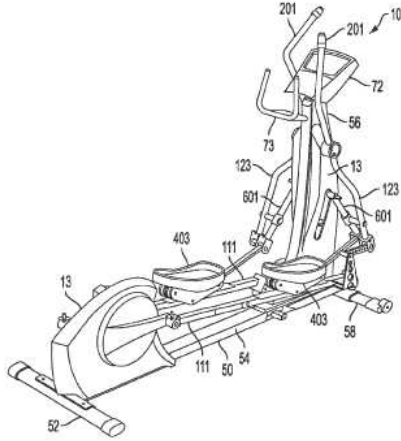


## A63B 22/0664

{performing an elliptic movement}

### Definition statement

*This place covers:*



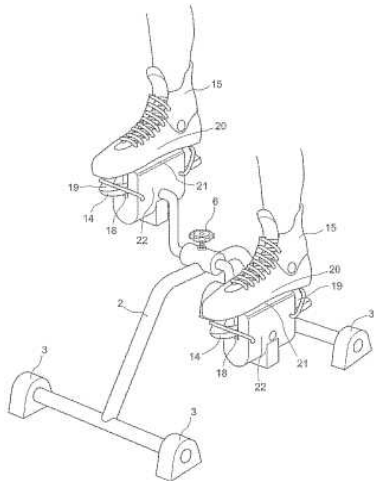
WO2004014494

## A63B 22/0694

{without integral seat, e.g. portable mini ergometers being placed in front of a chair, on a table or on a bed}

### Definition statement

*This place covers:*



WO2005123197

Small portable devices which can be placed in front of a chair, on a table, on a door or on a bed.

## References

### Informative references

Attention is drawn to the following places, which may be of interest for search:

Fastening household utensils to tables, walls or the like	<a href="#">A47G 29/087</a>
---	-----------------------------

### Special rules of classification

The kind of movement has to be classified in [A63B 22/0605](#) if circular, in [A63B 22/0664](#) if generally elliptical or [A63B 22/06](#) if the cycling movement has any other shape.

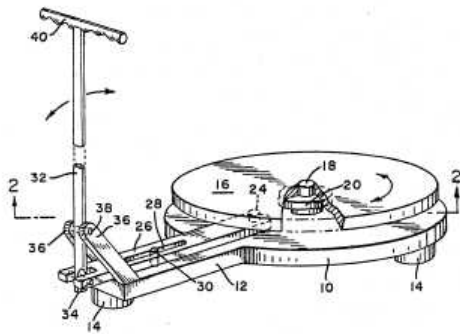
## A63B 22/14

**Platforms for reciprocating rotating motion about a vertical axis {, e.g. axis through the middle of the platform}**

### Definition statement

*This place covers:*

axis passing substantially in the middle of a platform or between the platforms



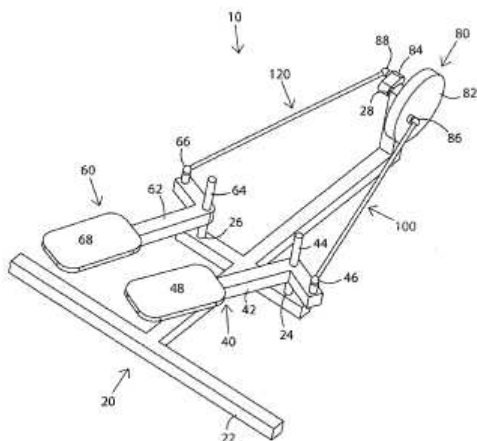
US4313603

## References

### Limiting references

*This place does not cover:*

devices with cantilevered platform like the one below



Limiting references

US2009239713

these devices do not have the axis passing through their middle portion or between the platforms:  
these devices have to be classified in [A63B 22/0061](#)

Devices with cantilevered platform	<a href="#">A63B 22/0061</a>
------------------------------------	------------------------------

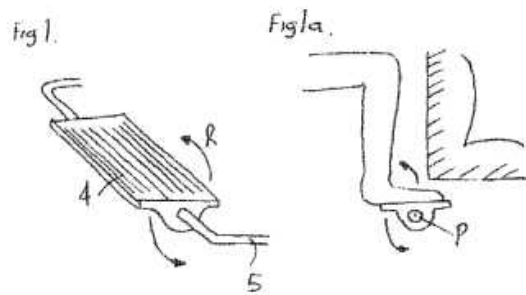
## A63B 22/16

**Platforms for rocking motion about a horizontal axis {, e.g. axis through the middle of the platform}; Balancing drums; Balancing boards or the like {(exercising apparatus with cantilevered support elements pivoting about an axis [A63B 22/0056](#); other exercising apparatus for improving balance [A63B 26/003](#))}**

### Definition statement

*This place covers:*

Axis being situated generally in the middle portion of the platforms



GB2377651

### References

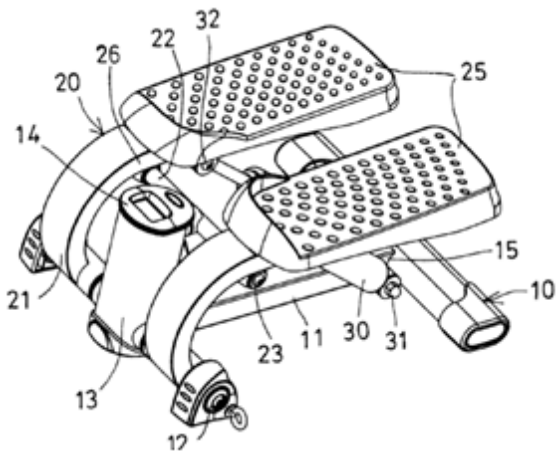
#### Limiting references

*This place does not cover:*

Other exercising apparatus for improving balance	<a href="#">A63B 26/003</a>
--	-----------------------------

**Special rules of classification**

Devices with cantilevered platform like the one below



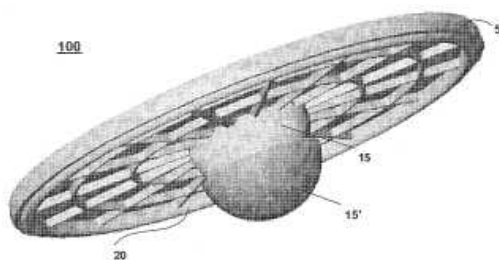
These devices with cantilevered platforms have the axis situated far from their middle portion: these devices have to be classified in [A63B 22/0056](#)

**A63B 22/18**

with elements, {i.e. platforms,} having a circulating, {nutating} or rotating movement, generated by oscillating movement of the user, {e.g. platforms wobbling on a centrally arranged spherical support} (hoop exercising apparatus [A63B 19/00](#); {eccentric weights put into orbital motion by nutating movement of the user [A63B 21/0608](#); pots rotating or rocking by moving the whole body [A63G 23/00](#)})

**Definition statement**

*This place covers:*



US2004018924

**References**

**Limiting references**

*This place does not cover:*

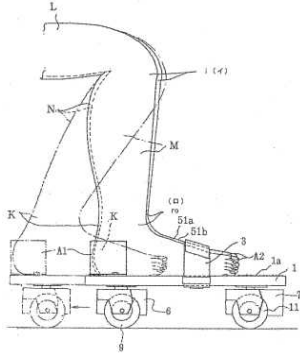
Hoop exercising apparatus	<a href="#">A63B 19/00</a>
Eccentric weights put into orbital motion by nutating movement of the user	<a href="#">A63B 21/0608</a>
Pots rotating or rocking by moving the whole body	<a href="#">A63G 23/00</a>

**A63B 22/20**

using rollers, wheels, castors or the like, {e.g. gliding means,} to be moved over the floor or other surface, {e.g. guide tracks,} during exercising

**Definition statement**

*This place covers:*



US2004198564

**A63B 22/201**

{for moving a support element in reciprocating translation, i.e. for sliding back and forth on a guide track}

**Definition statement**

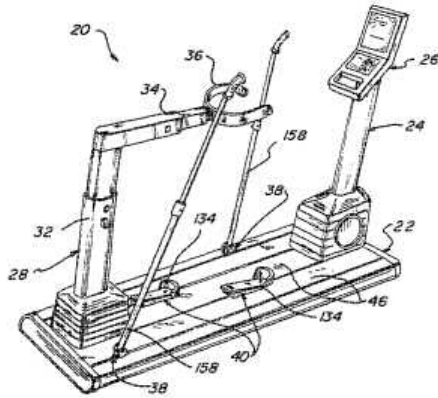
*This place covers:*

All kind of devices for which the reciprocating movement cannot be classified in the subclasses [A63B 22/203](#) or [A63B 22/205](#).

**References****Informative references**

*Attention is drawn to the following places, which may be of interest for search:*

Reciprocating translation on a curved path	<a href="#">A63B 2022/206</a>
--	-------------------------------

**A63B 22/203****{in a horizontal plane}****Definition statement***This place covers:*

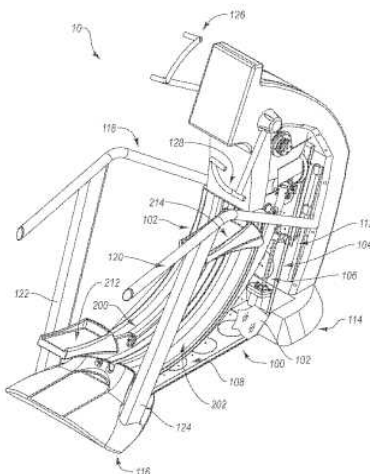
US5368533

**References****Informative references***Attention is drawn to the following places, which may be of interest for search:*

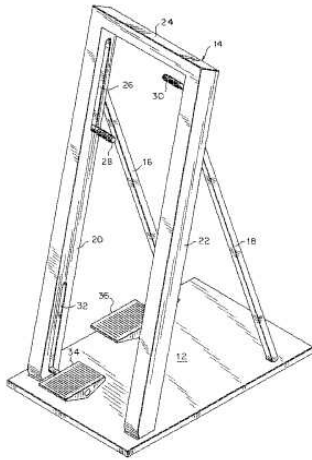
Means for supporting or limiting movement of body parts	<a href="#">A63B 69/0057</a>
---	------------------------------

**A63B 22/205**

**{in a substantially vertical plane, e.g. for exercising against gravity (exercising for developing or strengthening the muscles or joints of the body by working against a user's body weight [A63B 21/068](#); with adjustable inclination [A63B 22/0023](#))}**

**Definition statement***This place covers:*

US2008032869



US5803880

**References**

**Limiting references**

*This place does not cover:*

Exercising for developing or strengthening the muscles or joints of the body by working against a user's body weight	<a href="#">A63B 21/068</a>
With adjustable inclination of the main axis of the movement path	<a href="#">A63B 22/0023</a>

**A63B 23/00**

**Exercising apparatus specially adapted for particular parts of the body ([A63B 22/00](#) takes precedence; force-resisting aspects [A63B 21/00](#); electric or electronic controls therefor [A63B 24/00](#); devices for exercising or strengthening of fingers, or arms in teaching operation of keyboards [G09B 15/06](#))**

**Definition statement**

*This place covers:*

The use of the Exercising apparatuses for active strength physical training.

**References**

**Limiting references**

*This place does not cover:*

Use of the apparatus for cardio-vascular, agility or coordination	<a href="#">A63B 22/00</a>
Passive stretching or bending	<a href="#">A61H 1/02</a>

**Informative references**

*Attention is drawn to the following places, which may be of interest for search:*

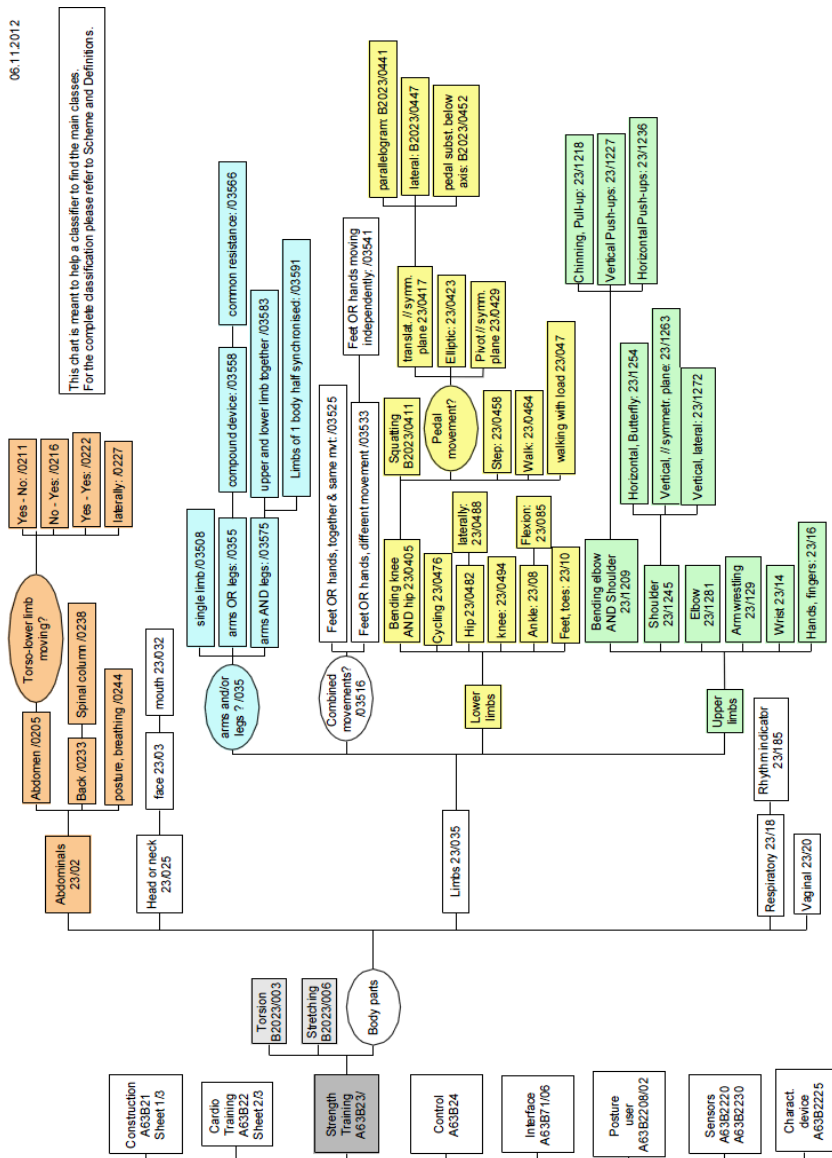
Isometric or Isokinetic exercises	<a href="#">A63B 21/002</a>
-----------------------------------	-----------------------------

Devices for exercising or strengthening of fingers, or arms in teaching operation of keyboards	<a href="#">G09B 15/06</a>
--	----------------------------

### Special rules of classification

These further different aspects should be considered while classifying the apparatuses for active physical exercising (see also the flowchart annexed after [A63B 24/00](#) and the Classification examples for [A63B 22/00](#)).

Construction features of an exercising apparatus	<a href="#">A63B 21/00</a>
Electric or electronic control	<a href="#">A63B 24/00</a>
Means for physically limiting movements of body parts	<a href="#">A63B 69/0057</a>
Sensors	<a href="#">A63B 2220/00</a>
Position of the user during training	<a href="#">A63B 2208/00</a>





## Glossary of terms

In this place, the following terms or expressions are used with the meaning indicated:

Concentric exercise	exercise: the muscle shortens as it contracts, a concentric contraction of the biceps would cause the arm to bend at the elbow and hand to move from near to the leg, to close to the shoulder
Eccentric exercise	the muscle elongates while under tension due to an opposing force being greater than the force generated by the muscle. Rather than working to pull a joint in the direction of the muscle contraction, the muscle acts to decelerate the joint at the end of a movement
Isometric exercise	a type of strength training in which the joint angle and muscle length do not change during contraction
Isokinetic exercise	dynamic muscle activity performed at a constant angular velocity; torque and tension remain constant while muscles shorten or lengthen;
Isotonic exercise	active exercise without appreciable change in the force of muscular contraction, with shortening of the muscle.

## A63B 2023/003

{by torsion of the body part around its longitudinal axis}

### References

#### Limiting references

This place does not cover:

Arm wrestling	<a href="#">A63B 23/129</a>
---------------	-----------------------------

## A63B 2023/006

{for stretching exercises}

### Definition statement

This place covers:

Exercise devices for active stretching exercises.

### References

#### Limiting references

This place does not cover:

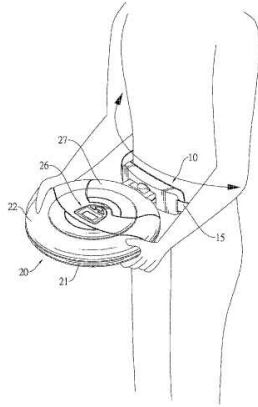
Passive stretching devices	<a href="#">A61H 1/02</a>
----------------------------	---------------------------

## A63B 23/02

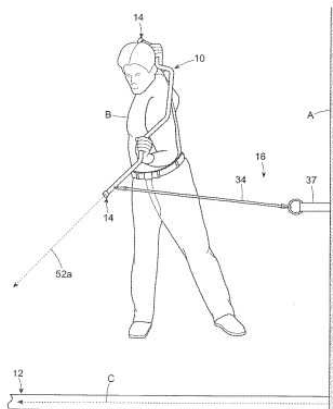
for the abdomen, the spinal column or the torso {muscles related to shoulders (e.g. chest muscles)}

### Definition statement

*This place covers:*



US7744510



US2009239675

### References

#### Limiting references

*This place does not cover:*

Torsion movements	<a href="#">A63B 2023/003</a>
Position of the user during training	<a href="#">A63B 2208/00</a>

#### Informative references

*Attention is drawn to the following places, which may be of interest for search:*

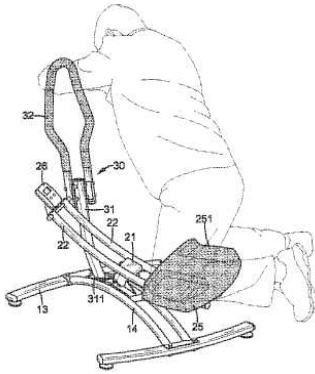
Exercising belts without indicating means	<a href="#">A63B 21/00</a>
---	----------------------------

## A63B 23/0205

{Abdomen}

### Definition statement

*This place covers:*



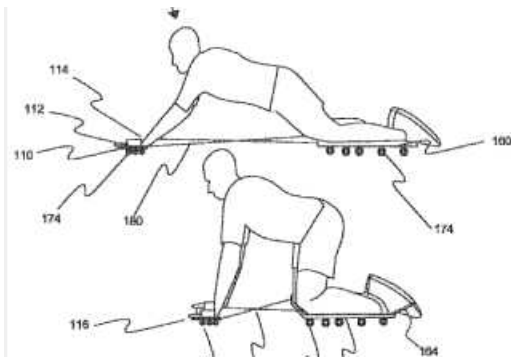
US7878957

## A63B 23/0211

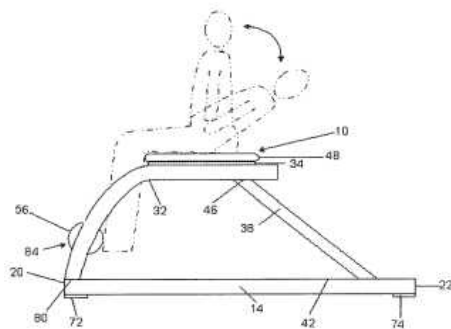
{moving torso with immobilized lower limbs}

### Definition statement

*This place covers:*



US2010216615



US2005009678

**References**

**Informative references**

Attention is drawn to the following places, which may be of interest for search:

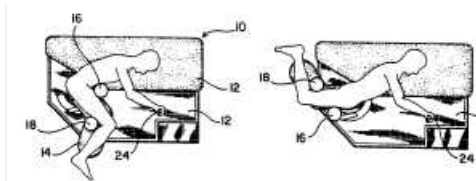
Attachment of lower limbs to exercising apparatus	<a href="#">A63B 21/4011</a>
Leg restraining devices	<a href="#">A63B 69/0062</a>
Drawing-out, the patient hanging upside down	<a href="#">A61H 1/0218</a>
Feet or leg holding means	<a href="#">A61H 2201/1642</a>

**A63B 23/0216**

{moving lower limbs with immobilized torso}

**Definition statement**

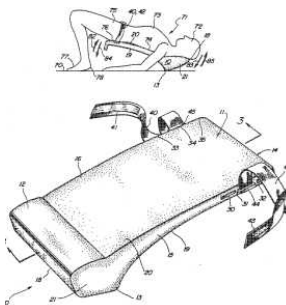
This place covers:



US5273508



US5080352



US5147267

**References**

**Informative references**

Attention is drawn to the following places, which may be of interest for search:

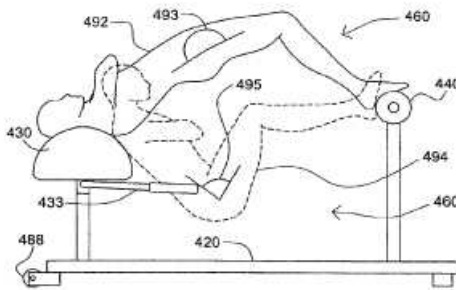
Attachment of upper limbs to exercising apparatus	<a href="#">A63B 21/4017</a>
Means for physically limiting movements of body parts	<a href="#">A63B 69/0057</a>

**A63B 23/0222**

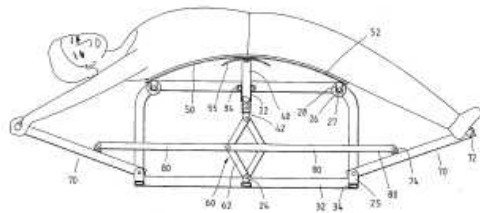
{moving torso and lower limbs}

**Definition statement**

This place covers:



WO2008077117



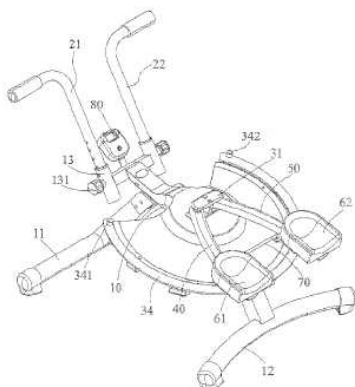
US5531658

**A63B 23/0227**

{moving torso or lower limbs laterally, i.e. substantially in the frontal plane}

**Definition statement**

This place covers:



FR2950537

**References**

**Informative references**

Attention is drawn to the following places, which may be of interest for search:

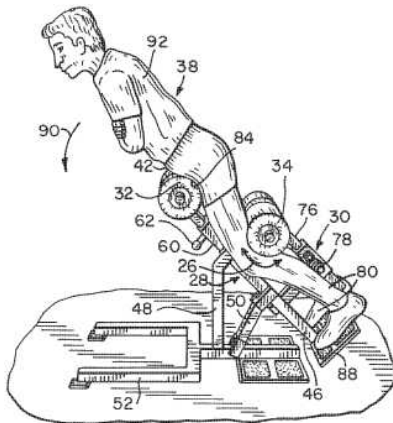
Movement perpendicular to the body-symmetrical plane for cardio training	<a href="#">A63B 2022/003</a>
Cantilevered support platforms for cardio training	<a href="#">A63B 22/0048</a>

**A63B 23/0233**

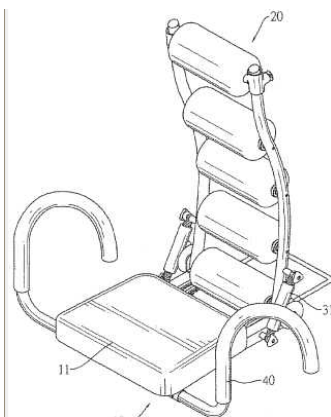
{Muscles of the back, e.g. by an extension of the body against a resistance, reverse crunch}

**Definition statement**

This place covers:



US6287244



US2008090709

**References**

**Informative references**

Attention is drawn to the following places, which may be of interest for search:

Attachment of lower limbs to exercising apparatus	<a href="#">A63B 21/4011</a>
---	------------------------------

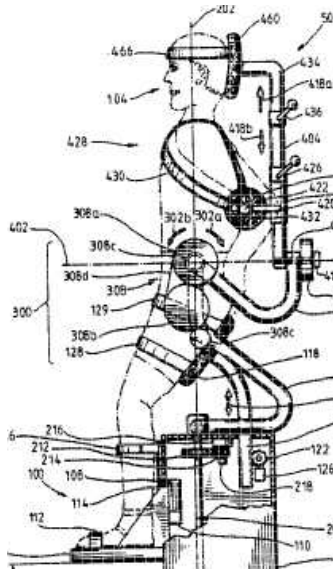
Attachment of upper limbs to exercising apparatus	<a href="#">A63B 21/4017</a>
Means for physically limiting movements of body parts	<a href="#">A63B 69/0057</a>
Drawing-out, the patient hanging upside down	<b>A61H1/02D2</b>
Feet or leg holding means	<a href="#">A61H 2201/1642</a>

**A63B 23/0238**

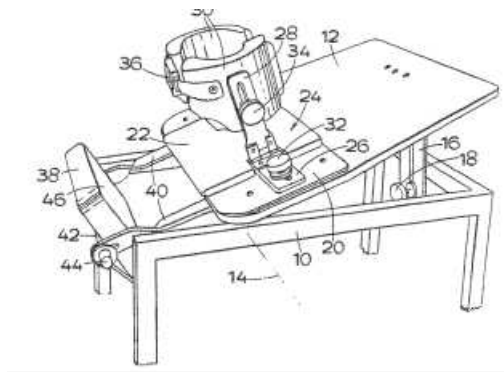
{Spinal column (for the neck [A63B 23/025](#))}

**Definition statement**

*This place covers:*



US5324247



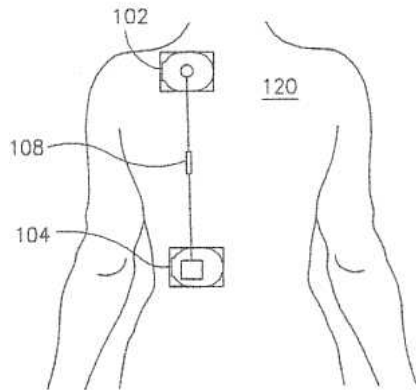
GB2222085

**A63B 23/0244**

{with signalling or indicating means, e.g. of incorrect posture, for deep-breathing exercises}

**Definition statement**

*This place covers:*

**References****Limiting references**

*This place does not cover:*

Detecting, measuring or recording devices for testing the shape, pattern, size or movement of the body or parts thereof, for diagnostic purposes
--

<a href="#">A61B 5/103</a>
----------------------------

**A63B 23/025**

for the head or the neck

**References****Informative references**

*Attention is drawn to the following places, which may be of interest for search:*

Passive stretching devices for the neck
---

<a href="#">A61H 1/0296</a>
-----------------------------

**A63B 23/035**

for limbs, i.e. upper or lower limbs, e.g. simultaneously

**References****Informative references**

*Attention is drawn to the following places, which may be of interest for search:*

for cardio-training
---------------------

<a href="#">A63B 22/0002</a>
------------------------------



**A63B 23/04**

for lower limbs {(training appliances for special sports [A63B 69/00](#); for the purpose of producing mechanical power [F03G 5/00](#)}

**References****Informative references**

Attention is drawn to the following places, which may be of interest for search:

Training appliances for special sports	<a href="#">A63B 69/00</a>
for the purpose of producing mechanical power	<a href="#">F03G 5/00</a>

**A63B 23/12**

for upper limbs {or related muscles, e.g. chest, upper back or shoulder muscles (bench press exercises [A63B 21/078](#); for teaching music [G09B 15/06](#)}

**Definition statement**

*This place covers:*

Exercise devices for specifically training the strength of the upper limb or upper extremity which comprises the region extending from the deltoid region to the hand, including the arm, axilla and shoulder.

**References****Limiting references**

*This place does not cover:*

Horizontal bars for pull up exercising	<a href="#">A63B 1/00</a>
Exercising upper limbs for teaching music	<a href="#">G09B 15/06</a>

**A63B 23/18**

for improving respiratory function

**References****Informative references**

Attention is drawn to the following places, which may be of interest for search:

Means for creating vibrations in patient's airways	<a href="#">A61M 16/0006</a>
--	------------------------------

## A63B 23/20

for vaginal muscles {or other sphincter-type muscles}

### References

#### Informative references

Attention is drawn to the following places, which may be of interest for search:

Massage of the genitals	<a href="#">A61H 19/00</a>
-------------------------	----------------------------

### Glossary of terms

In this place, the following terms or expressions are used with the meaning indicated:

Vaginal muscles or other sphincter-type muscles	called pubococcygeal muscles
---	------------------------------

## A63B 24/00

Electric or electronic controls for exercising apparatus of preceding groups; {Controlling or monitoring of exercises, sportive games, training or athletic performances}

### Definition statement

This place covers:

- Electric or electronic controls within exercising apparatuses for active physical training.
- Electric or electronic controls for [A63B 21/00-A63B 23/00](#) are specifically classified in [A63B 24/0087](#).

### References

#### Limiting references

This place does not cover:

Passive physical training	<a href="#">A61H 2201/50</a>
---------------------------	------------------------------

**Applications relating only to software and not dealing with mechanical features of the exercising apparatuses are classified in section G, for example:**

Database structure, Audio information retrieval	<a href="#">G06F 16/60</a>
Database structure, Video information retrieval	<a href="#">G06F 16/70</a>
Data Management	<a href="#">G06Q 50/22</a>
Recognition of body movements, e.g. for sport training	<a href="#">G06V 40/23</a>
Applications for learning a movement	<a href="#">G09B 19/003</a>

#### Informative references

Attention is drawn to the following places, which may be of interest for search:

Video games	<a href="#">A63F 13/00</a>
Controlling member being movable by hand, e.g. joystick	<a href="#">G05G 9/047</a>

## Informative references

Digital data processing	<a href="#">G06F</a>
Image analysis	<a href="#">G06T 7/00</a>
Image generation (2D)	<a href="#">G06T 11/00</a>
Recognising movements or behaviour	<a href="#">G06V 40/20</a>
Mechanisms actuated by objects other than coins	<a href="#">G07F 7/00</a>
Coin freed apparatus for sports or amusements	<a href="#">G07F 17/32</a>
ICT specially adapted for therapies or health-improving plans (e.g. for handling prescriptions, for steering therapy or for monitoring patient compliance) relating to physical therapies or activities (e.g. exercising)	<a href="#">G16H 20/30</a>

**Special rules of classification**

These further different aspects should be considered while classifying the apparatuses for active physical exercising (see also the flowchart annexed after [A63B 24/00](#) and the Classification examples for [A63B 22/00](#)):

Construction features of an exercising apparatus	<a href="#">A63B 21/00</a>
Use of apparatus for cardio-vascular, agility or coordination	<a href="#">A63B 22/00</a>
Use of the apparatus for strength training	<a href="#">A63B 23/00</a>
Means for physically limiting movements of body parts	<a href="#">A63B 69/0057</a>
Sensors	<a href="#">A63B 2220/00</a>
Position of the user	<a href="#">A63B 2208/00</a>

**A63B 24/0003**

**{Analysing the course of a movement or motion sequences during an exercise or trainings sequence, e.g. swing for golf or tennis}**

**References****Limiting references**

*This place does not cover:*

Analysing movement for medical diagnosis	<a href="#">A61B 5/103</a>
Teaching repetitive work cycles; Sequence of movements	<b>G06B19/00E</b>
Recognition of whole body movements, e.g. for sport training	<a href="#">G06V 40/23</a>

**Informative references**

*Attention is drawn to the following places, which may be of interest for search:*

Differential GPS	<a href="#">G01S 5/145</a>
Analysis of motion from image	<a href="#">G06T 7/20</a>

**A63B 24/0021****{Tracking a path or terminating locations}****Definition statement***This place covers:*

Tracking a path or terminating locations, including: position, e.g. in function of time, speed, acceleration.

**A63B 24/0059****{Exercising apparatus with reward systems}****Definition statement***This place covers:*

Exercise devices with systems for rewarding the user and provide incentives to train.

**References****Limiting references***This place does not cover:*

Virtual environments for tracking the behaviour,

the purchases or the athletic activity of an user in order to customize services offered to the user:

Marketing, e.g. market research and analysis, surveying, promotions, advertising, buyer profiling, customer management, rewards; Price estimation and determination	<a href="#">G06Q 30/02</a>
---	----------------------------

**Informative references***Attention is drawn to the following places, which may be of interest for search:*

Virtual races	<a href="#">A63B 24/0084</a>
Means for conducting or scheduling competition, league, tournaments, rankings	<a href="#">A63B 71/0616</a>

**A63B 24/0062****{Monitoring athletic performances, e.g. for determining the work of a user on an exercise apparatus, the completed jogging or cycling distance}****References****Limiting references***This place does not cover:*

Monitoring performances for medical diagnosis	<a href="#">A61B 5/103</a>
---	----------------------------

**A63B 24/0075**

{Means for generating exercise programs or schemes, e.g. computerized virtual trainer, e.g. using expert databases}

**References****Informative references**

Attention is drawn to the following places, which may be of interest for search:

Time management	<a href="#">G06Q 10/109</a>
Task assignment	<a href="#">G06Q 10/1097</a>

**A63B 24/0084**

{Exercising apparatus with means for competitions, e.g. virtual races}

**Definition statement**

This place covers:

Exercise devices with means for competitions

**References****Informative references**

Attention is drawn to the following places, which may be of interest for search:

Ranking	<a href="#">A63B 71/0616</a>
Maps of tracks or courses	<a href="#">A63B 2071/0691</a>
Wireless	<a href="#">A63B 2225/00</a> - <a href="#">A63B 2225/50</a>
Interaction between a plurality of game devices	<a href="#">A63F 13/30</a>
Arrangements for interaction with the human body	<a href="#">G06F 3/011</a>
Digital computing special functions	<a href="#">G06F 17/00</a>
Networking; advertising	<a href="#">G09F 23/00</a>
Network security protocols	<a href="#">H04L 63/00</a>
Protocols for real-time services in data packet switching networks	<a href="#">H04L 65/00</a>
Protocols for telewriting; Protocols for networked simulations, virtual reality orgames	<a href="#">H04L 67/131</a>

**A63B 25/08**

Hopping-sticks, e.g. pogo sticks {; Hopping apparatus with a single resilient support (devices for balloon jumping [A63B 5/166](#))}

**References****Informative references**

Attention is drawn to the following places, which may be of interest for search:

Devices for balloon jumping	<a href="#">A63B 5/166</a>
-----------------------------	----------------------------

**A63B 26/003**

{for improving balance or equilibrium (balance beams [A63B 4/00](#); apparatus for rope dancing [A63B 7/08](#); balancing drums, balancing boards or the like [A63B 22/16](#))}

**Definition statement**

*This place covers:*

Apparatus for improving balance or equilibrium

**References****Limiting references**

*This place does not cover:*

Balance beams	<a href="#">A63B 4/00</a>
Apparatuses for rope dancing	<a href="#">A63B 7/08</a>
Balancing drums, balancing boards or the like	<a href="#">A63B 22/16</a>
Wobbling platforms	<a href="#">A63B 22/18</a>
Training surfing, i.e. without a sail, skateboarding, snowboarding	<a href="#">A63B 69/0093</a>

**A63B 27/00**

Apparatus for climbing poles, trees, or the like ({ropes [A63B 29/02](#);} safety belts for climbers [A62B 35/00](#))

**Relationships with other classification places**

A pump jack travelling on pole is to be classified here or in subgroups and, when relevant, also in [B66F 1/02](#), [B66F 19/00](#), and/or [E04G 1/20](#).

**References****Limiting references**

*This place does not cover:*

Ropes	<a href="#">A63B 29/02</a>
Safety belts for climbers	<a href="#">A62B 35/00</a>

**Informative references**

*Attention is drawn to the following places, which may be of interest for search:*

Devices preventing persons from falling from ladders	<a href="#">E06C 7/08</a>
Climbing irons permanently attached to fixed structures	<a href="#">E06C 9/04</a>

## A63B 29/00

**Apparatus for mountaineering (helmets [A42B 3/00](#); non-skid devices or attachments for footwear, e.g. crampons, [A43C 15/00](#); breathing masks or helmets for use at high altitudes [A62B 18/00](#); picks [B25D 7/00](#))**

### Definition statement

*This place covers:*

Mechanical inventive aspects of apparatuses for mountaineering.

### References

#### Limiting references

*This place does not cover:*

Helmets	<a href="#">A42B 3/00</a>
Non-skid devices or attachments for footwear, e.g. mountain climbing irons	<a href="#">A43C 15/00</a>
Breathing masks or helmets for use at high altitudes	<a href="#">A62B 18/00</a>
Picks	<a href="#">B25D 7/00</a>

#### Informative references

*Attention is drawn to the following places, which may be of interest for search:*

Devices for lowering persons, including "descendeurs", rope brakes etc	<a href="#">A62B 1/06</a>
Safety belts or body harnesses	<a href="#">A62B 35/00</a>
Arrangements on buildings for connecting safety-lines	<a href="#">E04G 21/3261</a>

### Special rules of classification

Devices for lowering persons are classified in [A62B 1/06](#). This includes descendeurs, rope brakes etc.

## A63B 29/02

**Mountain guy-ropes or accessories, e.g. avalanche ropes; Means for indicating the location of accidentally buried, e.g. snow-buried, persons**

### References

#### Informative references

*Attention is drawn to the following places, which may be of interest for search:*

Rope-lowering devices for mountaineering	<a href="#">A62B 1/06</a>
Rope-lowering devices for mountaineering with brakes sliding on the rope	<a href="#">A62B 1/14</a>
Safety belts for climbers	<a href="#">A62B 35/00</a>
Hooks, e.g. snaphooks, therefor	<a href="#">F16B 45/00</a>
Detecting hidden masses in general	<a href="#">G01V</a>

## Special rules of classification

Multiple entry classification in different classes is sometime used in borderline cases, i.e. documents are classified in the applicable groups and/or subgroups of two different sub-classes: [A62B 1/00](#) and [A63B 29/00](#).

For example, the document EP0752255 A1 is classified as follows (multiple entry classification in different classes): [A62B 1/14](#), [A62B 35/04](#), [A63B 29/02](#).

## A63B 29/021

**{Means for indicating the location of accidentally buried, e.g. snow-buried, persons}**

### References

#### Informative references

*Attention is drawn to the following places, which may be of interest for search:*

Devices allowing a buried person to escape or draw attention, e.g. avalanche airbags	<a href="#">A62B 33/00</a>
Detecting hidden masses in general	<a href="#">G01V</a>
Distress signalling devices	<a href="#">G08B 5/002</a>

## Special rules of classification

Mechanical means for helping someone survive an avalanche are also classified here.

## A63B 29/024

**{Climbing chocks}**

### References

#### Informative references

*Attention is drawn to the following places, which may be of interest for search:*

Friction-grip releasable fastenings	<a href="#">F16B 2/00</a>
Dowels or other devices fastened in walls or the like by inserting them in holes made therein for that purpose	<a href="#">F16B 13/00</a>
Means for fastening cables or ropes to one another or to other objects; Caps or sleeves for fixing on cables or ropes	<a href="#">F16G 11/00</a>

## A63B 29/028

**{Ropes specially adapted for mountaineering}**

### References

#### Limiting references

*This place does not cover:*

Ropes in general	<a href="#">D07B</a>
------------------	----------------------



## A63B 29/08

### Hand equipment for climbers

#### Definition statement

*This place covers:*

Hand equipment for climbers e.g. ice axes, chalk bags.

#### Relationships with other classification places

For chalk bags for climbing multiple classification applies: See also:

Sacks or packs carried on the body by means of a single strap around the waist	<a href="#">A45F 3/005</a>
Holders or carriers for use while travelling or camping fastened to the belt	<a href="#">A45F 5/021</a>
Sport bags	<a href="#">A45C 2003/007</a>

#### References

##### Informative references

*Attention is drawn to the following places, which may be of interest for search:*

Apparatus for climbing poles, trees, or the like	<a href="#">A63B 27/00</a>
Walking/Climbing sticks	<a href="#">A45B</a>
Ski-sticks	<a href="#">A63C 11/22</a>

## A63B 31/00

**Swimming aids (teaching swimming [A63B 69/10](#) - [A63B 69/14](#); life-saving in water {, e.g. life-buoys, life-belts,} [B63C 9/00](#))**

#### Relationships with other classification places

Body flotation supports, e.g. for children, are to be classified in [B63C 9/00](#) and subgroups (see, e.g. [B63C 9/08](#) and [B63C 9/13](#)), even if they do not fit the definition "life-saving".

In [B63C 9/00](#) and subgroups, the sole purpose of the device is to provide enough flotation for people - under distress – to stay afloat. It is designed with the capacity to maintain a person afloat.

On the other hand, [A63B 31/00](#) relates to swimming aids, i.e. devices which do not necessarily provide a flotation capacity sufficient to maintain a person afloat and are intended to help swimming. "Swimming" needs to be understood as an active movement by the user and not simply staying afloat.

There are inevitably overlaps, so double classification might be needed.

#### References

##### Limiting references

*This place does not cover:*

Apparatus for teaching swimming or training	<a href="#">A63B 69/10</a> , <a href="#">A63B 69/12</a>
Swimming boards and other teaching frames for swimming	<a href="#">A63B 69/14</a>

Body flotation supports, e.g. for children	<a href="#">B63C 9/00</a>
--	---------------------------

**Informative references**

*Attention is drawn to the following places, which may be of interest for search:*

Exercise apparatus with counterforce generated by moving the ambient water (hydraulic force resistors for exercising)	<a href="#">A63B 21/0084</a>
Inflatable	<a href="#">A63B 2225/62</a>
Body floating supports for relaxation in water	<a href="#">A61H 37/005</a>
Toy boats; Floating toys; Other aquatic toy devices	<a href="#">A63H 23/00</a>
Body-boards, i.e. surfboards specially adapted for use by users in prone position; Planing members attachable to, or held by body-surfers	<a href="#">B63B 32/20</a> , <a href="#">B63B 32/22</a>
Vessels or like floating structures for pleasure or sport	<a href="#">B63B 34/00</a>
Rafts, i.e. free floating waterborne vessels, of shallow draft, with little or no freeboard, and having a platform or floor for supporting a user	<a href="#">B63B 35/58</a>

**A63B 31/08**

**Swim fins, flippers or other swimming aids held by, or attachable to, the hands, arms, feet or legs ([A63B 31/18](#) takes precedence; worn as gloves [A63B 31/02](#))**

**References**

**Limiting references**

*This place does not cover:*

Swimming appliances with propulsive effect for hands and feet simultaneously	<a href="#">A63B 31/18</a>
--	----------------------------

**Informative references**

*Attention is drawn to the following places, which may be of interest for search:*

Swimming aids worn as gloves	<a href="#">A63B 31/02</a>
------------------------------	----------------------------

**A63B 33/00**

**Swimming equipment attachable to the head, e.g. swim caps or goggles (diving masks [B63C 11/12](#); breathing aids, e.g. snorkels, [B63C 11/18](#))**

**Definition statement**

*This place covers:*

Helmets for swimming and/or playing water polo, and any other kind of swimming equipment whose function is intrinsically connected to the practise of any kind of sport in water. It is also used for nose clips for swimming.

## References

### Limiting references

*This place does not cover:*

Diving masks	<a href="#">B63C 11/12</a>
Air supply equipment for dwelling or working underwater, Breathing aids, e.g. snorkels	<a href="#">B63C 11/18</a>

### Informative references

*Attention is drawn to the following places, which may be of interest for search:*

Swimming boards and other teaching frames for swimming	<a href="#">A63B 69/14</a>
Other body protectors for the head	<a href="#">A63B 71/10</a>
Head protectors in the form of caps or hats	<a href="#">A42B 1/08</a>
Hats or head coverings, soft caps or hoods, bathing caps not specifically conceived for sporting purposes	<a href="#">A42B 1/12</a>
Helmets	<a href="#">A42B 3/00</a>
Surgical instruments for use in the nose	<a href="#">A61B 17/24</a>
Devices for correcting deformities of the nose and for enlarging the nostrils for breathing improvement	<a href="#">A61F 5/08</a>
Nose clips for preventing snoring	<a href="#">A61F 5/56</a>
Nose clips when part of respiratory or breathing apparatus	<a href="#">A62B 9/06</a>
Nose filters	<a href="#">A62B 23/06</a>
Shaping of plastics, swimming equipment	<a href="#">B29L 2031/5254</a>
Divers' equipment	<a href="#">B63C 11/02</a>
Diving masks ( comprising nose-clips	<a href="#">B63C 2011/125</a>

## A63B 33/002

### {Swimming goggles}

## References

### Informative references

*Attention is drawn to the following places, which may be of interest for search:*

Attachment of buckle to strap	<a href="#">A44B 11/006</a>
Buckles with strap length adjustment	<a href="#">A44B 11/2557</a>
Protective goggles	<a href="#">A61F 9/02</a>
Straps; Buckles; Attachment of headbands for goggles	<a href="#">A61F 9/027</a>
Diving masks	<a href="#">B63C 11/12</a>
Straps, or the like for fastening diving masks; Accessories therefor, e.g. buckles	<a href="#">B63C 2011/128</a>

## A63B 35/00

Swimming framework with driving mechanisms operated by the swimmer or by a motor (other vessels or like floating structures for pleasure or sport [B63B 32/00](#), [B63B 34/00](#); divers' sleds or like craft [B63C 11/46](#))

### References

#### Limiting references

*This place does not cover:*

Divers' sleds or like craft	<a href="#">B63C 11/46</a>
-----------------------------	----------------------------

#### Informative references

*Attention is drawn to the following places, which may be of interest for search:*

Water sports boards; Accessories therefor	<a href="#">B63B 32/00</a>
Vessels specially adapted for water sports or leisure, e.g. canoes or kayaks; Body-supporting devices specially adapted for water sports or leisure	<a href="#">B63B 34/00</a>
Vessels or similar floating structures specially adapted for specific purposes and not otherwise provided for	<a href="#">B63B 35/00</a>

### Special rules of classification

References [B63B 32/00](#) and [B63B 34/00](#) are non-limiting in the main group [A63B 35/00](#). CPC will be corrected once this inconsistency is resolved in IPC.

## A63B 37/00

Solid balls; {Rigid hollow balls; } Marbles (heavy throwing balls [A63B 65/06](#))

### References

#### Limiting references

*This place does not cover:*

Heavy balls for throwing, i.e. medicine balls, shots, weights or stones for putting	<a href="#">A63B 65/06</a>
---	----------------------------

#### Informative references

*Attention is drawn to the following places, which may be of interest for search:*

Billiards	<a href="#">A63B 2243/002</a>
Shaping of plastics, golf balls	<a href="#">B29L 2031/546</a>

### Special rules of classification

Billiard, pool and snooker balls are classified in [A63B 37/00](#) and [A63B 2243/002](#).

## A63B 37/0003

### {Golf balls}

#### Relationships with other classification places

The subgroups are arranged in a tree structure, of which the following are the main branches:

- general subgroup for golf balls (note: to be allocated as "Additional Information" when the golf ball is not the invention but nevertheless is mentioned in the application);
- dimples and protrusions;
- non-structural external layer: coatings and markings, exclusively;
- three structural layers: cover (exclusively), intermediate layer (all the intermediate layers: Inner Cover, Mantel, Outer Core) and core (exclusively), respectively;
- ball as a whole.

The following "branches" apply independently to each of the different structural layers (cover, intermediate layer, core) and are repeated for each of the structural layers:

- Materials and Chemistry
- Coefficient of restitution
- Hardness
- Hardness Gradient
- Thickness / Diameter
- Deflection or Compression
- Density / Gravity
- Melt flow rate
- Mass, Weight (only common to the core and to the ball as a whole)
- Initial Velocity (only common to the core and to the ball as a whole)
- Flexural Modulus

(Note that some properties are not repeated for each structural layer and have therefore not been mentioned here).

It will be often necessary to classify the chemistry aspects outside of the scope of [A63B](#). Thus, multiple classification is commonly used between classes and sections. Some guidance can be derived from the following examples:

- [C08L 23/0876](#): Neutralised polymers, i.e. ionomers
- [C08L 75/00](#): Compositions of polyureas or polyurtehanees
- [C08L 77/00](#): Compositions of polyamides obtained by reactions forming a carboxylic amide link in the main chain
- [C08K 5/00](#): Use of organic ingredients
- [C08K 5/098](#): Metal salts of carboxylic acids
- [C08G 18/00](#): Polymeric products of isocyanates or isothiocyanates
- [C09D 1/00](#): Coating compositions
- [B29C 35/00](#): Heating, cooling or curing, e.g. crosslinking, vulcanising
- [B29C 45/14819](#): Injection moulding by completely encapsulating inserts (typical for golf balls)
- [B29C 59/00](#): Surface shaping, e.g. embossing

"Practice/training golf balls" are also allocated to subgroups [A63B 69/3655](#) and/or [A63B 69/3688](#).

## References

### Informative references

Attention is drawn to the following places, which may be of interest for search:

Golf balls for practising drives	<a href="#">A63B 69/3655</a>
Golf balls for practising putts	<a href="#">A63B 69/3688</a>
Methods for moulding	<a href="#">B29</a>
Chemical aspects	<a href="#">C08</a>

### Special rules of classification

The best approach for classifying golf ball documents:

Look through the abstract;

Look at the drawings;

Look through the claims;

Look through the description:

- Pay attention to the first paragraph, "Summary of the invention";
- In the "Detailed description of this invention" pay attention wherever it is written "...of this invention" (and similar);
- Depending on the main invention, some information from the description can be considered significant or not, that is to say, to be classified as "Invention Information" or "Additional Information". For classifying "Additional Information" pay attention to the different embodiments, examples and tables;
- Sometimes the examples compare the invention with another golf ball, which is usually not to be classified.
- Common general knowledge present in the Description should not be classified.

The physical properties of subassemblies encompassing simultaneously different layers of a golf ball are to be classified as properties of the golf ball as a whole; e.g. the "compression of a golf ball subassembly consisting of the center and the intermediate layer has a compression of 50 or less" is classified as [A63B 37/0087](#).

"Volume" and/or "surface" of the core or a layer of a golf ball must be classified with the equivalent physical property of diameter or thickness of the corresponding layer.

### Glossary of terms

In this place, the following terms or expressions are used with the meaning indicated:

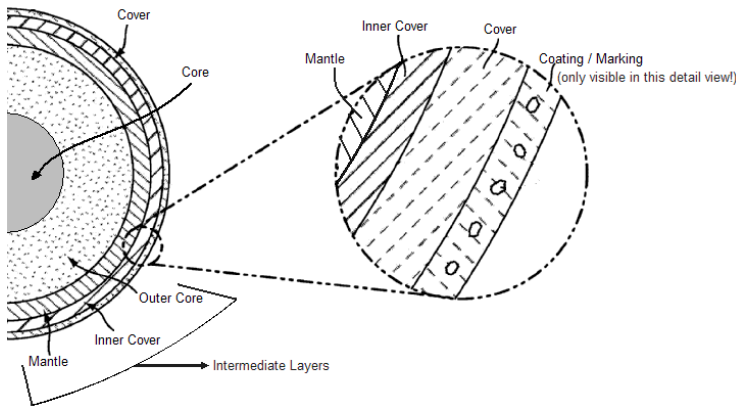
The issue of the different layers of the ball:

- Non-structural: Coating/Marking.
- Structural: Cover, Intermediate layer, Core.

Golf balls usually have only ONE cover and only ONE core. The rest of the structural layers are simply intermediate layers.

- Irrespective of the wording and leaving aside the Coating/Markings (if any):
- Cover - the outermost mechanical layer
- Core - the innermost part of the ball
- Intermediate layer - every layer therebetween
- Therefore:

- "Inner cover" - intermediate layer (not Cover)
- "Outer core" - intermediate layer (not Core)
- "Core thickness": it must necessarily refer to the "outer core" (and, therefore, an Intermediate layer), as a "core" is defined by its diameter or its radius, but not by its thickness: this feature is, therefore, to be classified in [A63B 37/0045](#)
- "Mantel": it can refer to the cover OR the coat OR the intermediate layer: Therefore, it has to be interpreted correctly in order to know where to classify the information relating to such a "mantel"
- This is graphically exemplified as follows:



Other terms:

- "Thread wound core": only used for thread wound cores with nothing inside. It is, therefore, not to be used when a thread layer is wound around a core that is not thread.
- In long patent descriptions, it is often mentioned that the invention may be made from one up to three or more layers.

However, unless every single layer explicitly appears in claims, it is not to be classified in [A63B 37/0073](#) - [A63B 37/0076](#) every time.

For example:

- If the invention is mainly manufactured with 1 layer (core) but it can also be used in golf balls with more layers (but this information does not appear in the claims), we classify as follows:

Invention information: [A63B 37/0073](#);

Additional information: [A63B 37/0074](#), [A63B 37/0075](#), [A63B 37/0076](#).

If the invention describes in the claims every possible case (one, two, three-layer golf balls, etc.), classification is as follows:

Invention information: [A63B 37/0073](#), [A63B 37/0074](#), [A63B 37/0075](#), etc.

- "Multi-piece balls": Can be used both for three-piece balls and balls having two or more intermediate layers.
- Solid core ≠ Rigid core ([A63B 37/0054](#)) unless they specify that it is made of metal.
- Translucent cover [A63B 37/0024](#)
- [A63B 37/0039](#): to be allocated when the chemistry of the intermediate layer is neither an Ionomer, nor Polyurethane, nor Polybutadien, or, at least, a very unusual one amongst the previous one (so, mixed-up with other stuff, etc.)
- Initial Velocity concerning the Cover: allocate [A63B 37/0084](#).
- "Weight; Mass": Used for, e.g. specific weight, but not for chemical weight ratios.
- [A63B 37/0067](#) and [A63B 37/0083](#): Weight, just specific weight, not for ratio weight.
- MFR = Melt Flow Rate = MFI= Melt Flow Index: [A63B 37/0036](#) or [A63B 37/0048](#) (or both, if the layer is not specified).

## Glossary of terms

- COR = Coefficient of Restitution -> [A63B 37/003](#), [A63B 37/0041](#), [A63B 37/0061](#) or [A63B 37/0078](#).
- Flexural Modulus [Mpa=factor x psi] is different from Young modulus=Tensile modulus=Elastic modulus, Ionomer modulus, Stiffness modulus, Flexural rigidity.
- "Hardness Gradient" is most likely to be found with cores. Example: The core has a JIS-C hardness at its surface of at least 70 and a JIS-C hardness at its center that is at least 10 units lower than the hardness at the core surface.
- "Hardness distribution amongst the different ball layers" ([A63B 37/0092](#)) is to be allocated when the hardness gradient does not apply only to a specific single layer amongst several, but to the whole ball.
- Rather common parameters such as "diameter of dimple", "spin rate", "rebound resilience", "coefficient of drag", etc. are not to be classified unless they are described in the claims, the abstract or the description accurately and in a quantitative manner, or unless they are mentioned throughout the document continuously (even if not quantitatively)... except with the "scuff resistance", which is usually valued with qualitative (not quantitative) terms (i.e. "good", "bad", "better", etc.) and is to be classified even without specific values being given therefor.
- [A63B 45/00](#): Manufacture of golf balls. It is written in claims or abstract; or it is fully described in description.
- "Material manufacturing process" for cover, internal layer or core: [A63B 45/00](#) and the corresponding [A63B 37/0023](#), [A63B 37/0038](#), [A63B 37/005](#) (or [A63B 37/0024](#), [A63B 37/0039](#), [A63B 37/0051](#)).
- "Moulding/molding compression": we do not have any specific subgroup for this: it is, however, a different concept from "deflection or compression" ([A63B 37/0034](#), [A63B 37/0046](#), [A63B 37/0065](#), [A63B 37/0087](#)). These features are, therefore, to be understood as "Method for Manufacturing", for which the correct subgroup is [A63B 45/00](#)
- [A63B 45/02](#): Methods or apparatus for marking golf balls. It usually goes with [A63B 37/0022](#) (either as "Invention" or "Additional" information) if they describe the mark or it appears in the drawings.
- A circular dimple is something standard -> Do not classify this feature in any of [A63B 37/0007](#) - [A63B 37/0011](#).
- Interpret [A63B 37/002](#) (i.e. "Specified dimple diameter") as "Specified dimple diameter, or length of their main axis" instead. Sometimes, dimples may have various shapes like polygonal or elliptical: in such cases perimeters, lengths, widths, major and minor axis lengths are given.
- Patents with specific drawings of one or several dimples (cross section) -> [A63B 37/0012](#).
- If some parameters (depth, diameter) appear in drawings, accurate figures are likely to be found in the text (see [A63B 37/0019](#), [A63B 37/002](#)):
- Drawings with various dimples with and without sub-dimples -> Classify simultaneously as [A63B 37/0012](#) and [A63B 37/0015](#);
- When the shape of the dimple is not clear, not important in that document, etc. -> Classify as "Additional Information" [A63B 37/0012](#).

"Volume Ratio": Classified for the time being in [A63B 37/0016](#) and [A63B 37/0017](#).

Dimple coverage (%) = Occupation ratio -> [A63B 37/0021](#).

Compression ([A63B 37/0034](#), [A63B 37/0046](#), [A63B 37/0065](#), [A63B 37/0087](#)): it can be "PGA compression", "Atti compression", "Riehle compression" or "Load/Deflection tests".

PGA Compression = Atti Compression: A piston whose travel path is fixed compresses the ball against a spring and the spring deflection is then measured.

Riehle Compression: It measures the deformation of ball under a fixed load of 90.9 kg.

Load/Deflection tests: Same as "Riehle Compression" but with a plurality of possible loads.



**Synonyms and Keywords**

*In patent documents, the following words/expressions are often used with the meaning indicated:*

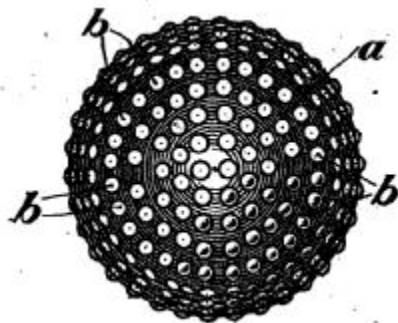
Outer Cover	used for Cover
Shell	an Intermediate layer
Inner Core, Center, Centre	used for Core

**A63B 37/0005**

{Protrusions}

**Definition statement**

*This place covers:*



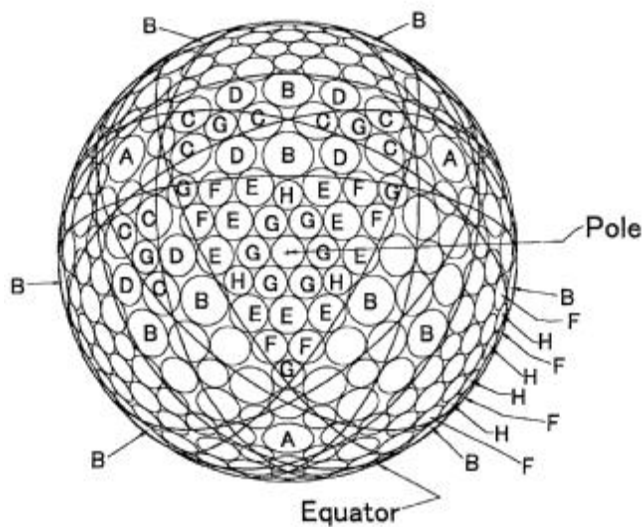
**A63B 37/0006**

{Arrangement or layout of dimples}

**Definition statement**

*This place covers:*

Features on the outer surface as shown in the following drawing:



## References

### Informative references

Attention is drawn to the following places, which may be of interest for search:

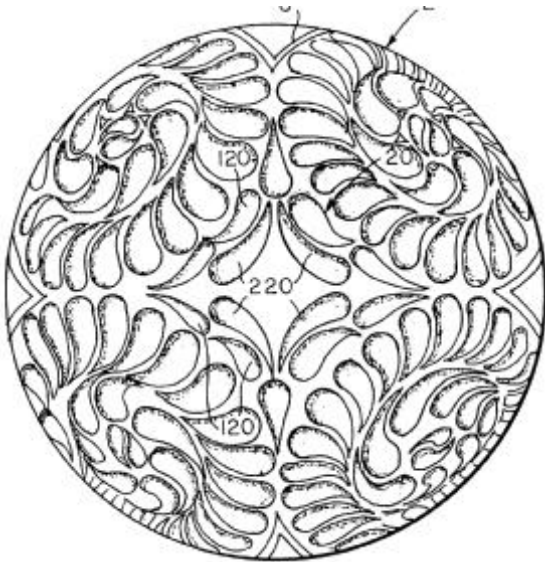
Computer-aided design	<a href="#">G06F 30/00</a>
Finite element generation, e.g. wire-frame surface description, tessellation	<a href="#">G06T 17/20</a>

## A63B 37/0007

### {Non-circular dimples}

### Definition statement

This place covers:

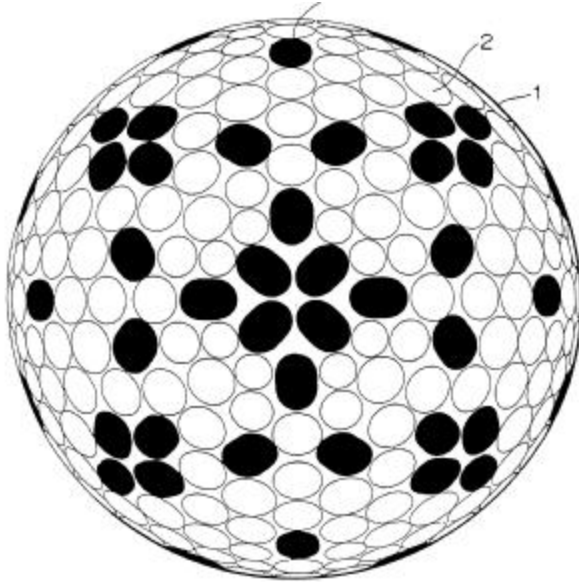


## A63B 37/0008

{Elliptical}

### Definition statement

*This place covers:*

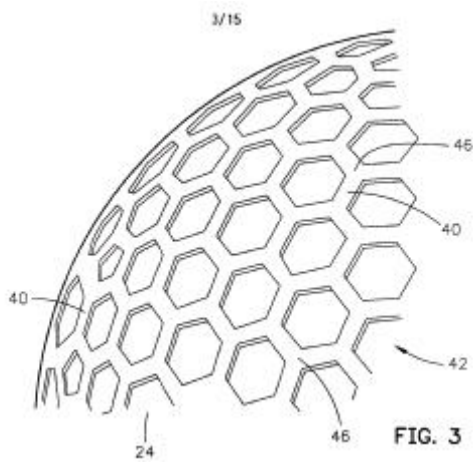


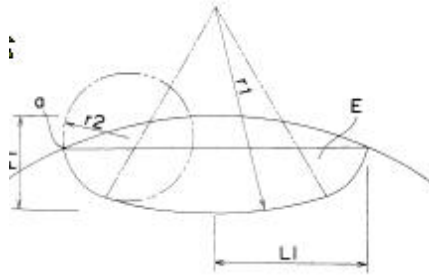
## A63B 37/0009

{Polygonal}

### Definition statement

*This place covers:*



**A63B 37/0012****{Dimple profile, i.e. cross-sectional view}****Definition statement***This place covers:***A63B 37/0022****{Coatings, e.g. paint films; Markings}****Definition statement***This place covers:*

Varnish, paint etc. any thin layer coating the cover. Therefore, this encompasses only the coating and/or markings.

**References****Informative references**

Attention is drawn to the following places, which may be of interest for search:

Methods for marking	<a href="#">A63B 45/02</a>
---------------------	----------------------------

**A63B 37/0023****{Covers}****Definition statement***This place covers:*

Used only for the Cover.

**A63B 37/0024****{Materials other than ionomers or polyurethane}****Definition statement***This place covers:*

"Special materials", meaning any materials other than those which are normally used for covers or cores. (Poly)urethanes and ionomers are all normally used in covers, thus not "special", unless it is referred to a very specific unusual type of ionomer or polyurethane.

Any material which makes the cover be translucent is considered "special" and, thus, classified here.

**A63B 37/0039****{characterised by the material}****Definition statement***This place covers:*

"Special materials" means any materials other than those which are normally used for covers or cores. (Poly)butadiene, (Poly)urethanes, ionomers are all normally used, thus not "special", unless the material is a very specific and unusual type of (poly)butadiene, (poly)urethane or ionomer.

**References****Informative references**

Attention is drawn to the following places, which may be of interest for search:

Apparatus or methods for marking balls	<a href="#">A63B 45/02</a>
--	----------------------------

**A63B 37/005****{Cores}****Definition statement***This place covers:*

Used only for the Core.

**A63B 37/0077****{Physical properties}****Special rules of classification**

Every subgroup of [A63B 37/0077](#) defining a property for which there is no specific subgroup defining the distribution of such property amongst the several layers of a golf ball is also used for classifying such distribution.

The physical properties of subassemblies encompassing simultaneously different layers of a golf ball are to be classified as properties of the golf ball as a whole; e.g. the "compression of a golf ball subassembly consisting of the centre and the intermediate layer has a compression of 50 or less" is classified as [A63B 37/0087](#).

## A63B 37/0097

{Layers interlocking by means of protrusions or inserts, lattices or the like}

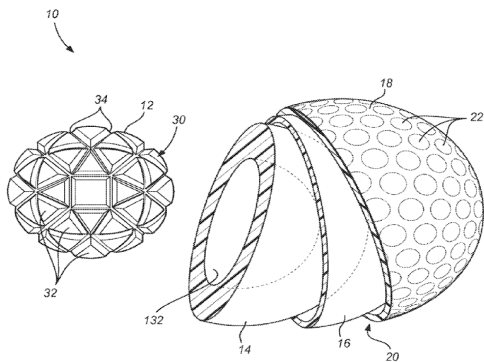
### Definition statement

*This place covers:*

The following images that show balls with layers that are interlocked by protrusions, inserts or lattices.

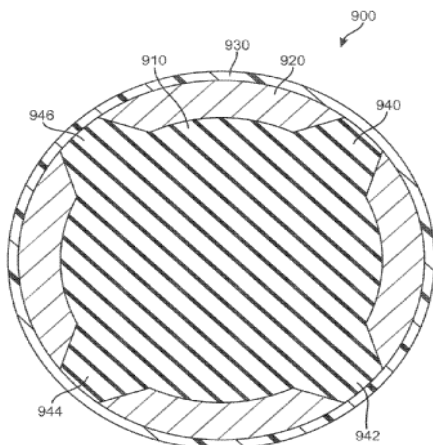
WO 2015/069474 PCT/US2014/062318

1/7



**FIG. 1**

Patent Application Publication Oct. 31, 2013 Sheet 9 of 16 US 2013/028825 A1



**FIG. 9**

Fig. 1

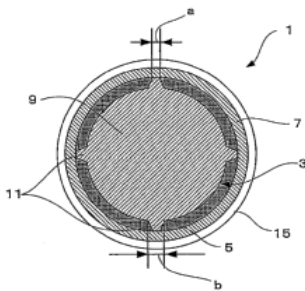
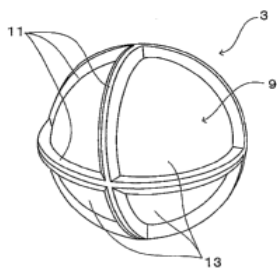


Fig. 2



## A63B 37/02

Special cores {(balls with finger holes [A63B 37/0001](#), golf ball cores [A63B 37/005](#)}

### References

#### Limiting references

*This place does not cover:*

Balls with finger holes, e.g. for bowling	<a href="#">A63B 37/0001</a>
Cores of golf balls	<a href="#">A63B 37/005</a>

## A63B 37/10

with eccentric centre of gravity

### References

#### Limiting references

*This place does not cover:*

Balls with finger holes, e.g. for bowling	<a href="#">A63B 37/0001</a>
Golf balls	<a href="#">A63B 37/0003</a>

#### Informative references

*Attention is drawn to the following places, which may be of interest for search:*

(non-solid) balls with an eccentric centre of gravity; with mechanism for changing the centre of gravity	<a href="#">A63B 43/04</a>
--	----------------------------

## A63B 37/12

Special coverings {, i.e. outer layer material (balls with finger holes [A63B 37/0001](#), golf ball covers [A63B 37/0023](#))}

### References

#### Limiting references

*This place does not cover:*

Balls with finger holes, e.g. for bowling	<a href="#">A63B 37/0001</a>
Golf ball covers	<a href="#">A63B 37/0023</a>

#### Informative references

*Attention is drawn to the following places, which may be of interest for search:*

Golf balls	<a href="#">A63B 37/0003</a>
------------	------------------------------

## A63B 37/14

Special surfaces {([A63B 37/0004](#) takes precedence)}

### References

#### Limiting references

*This place does not cover:*

Surface depressions or protrusions on golf balls	<a href="#">A63B 37/0004</a>
--	------------------------------

#### Informative references

*Attention is drawn to the following places, which may be of interest for search:*

Golf ball covers	<a href="#">A63B 37/0023</a>
Stitchings	<a href="#">A63B 2037/125</a>

## A63B 39/00

Hollow non-inflatable balls {, i.e. having no valves (rigid balls [A63B 37/00](#))}

### References

#### Limiting references

*This place does not cover:*

Rigid hollow balls	<a href="#">A63B 37/00</a>
--------------------	----------------------------

### Special rules of classification

Hollow rigid balls are classified in [A63B 37/0098](#)



**A63B 39/025****{using containers with pressurising means for balls not in use}****References****Informative references***Attention is drawn to the following places, which may be of interest for search:*

Packages under vacuum or pressure, or special atmospheres	<a href="#">B65D 81/20</a>
---	----------------------------

**A63B 39/06****Special coverings****References****Informative references***Attention is drawn to the following places, which may be of interest for search:*

Computer-aided design	<a href="#">G06F 30/00</a>
Finite element generation, e.g. wire-frame surface description, tessellation	<a href="#">G06T 17/20</a>

**A63B 41/00****Hollow inflatable balls****References****Informative references***Attention is drawn to the following places, which may be of interest for search:*

Inflatable chairs	<a href="#">A47C 4/54</a>
Connecting valves to inflatable elastic bodies	<a href="#">B60C 29/00</a>
Valves, e.g. self-closing valves	<a href="#">F16K</a>

**A63B 41/08****Ball covers; Closures therefor****References****Informative references***Attention is drawn to the following places, which may be of interest for search:*

Computer-aided design	<a href="#">G06F 30/00</a>
Finite element generation, e.g. wire-frame surface description or tessellation	<a href="#">G06T 17/20</a>

**A63B 41/12**

**Tools or devices for blowing up or closing balls {(for pricking-balls [A63B 39/04](#))}**

**References****Limiting references**

*This place does not cover:*

Tools for blowing up pricking-balls	<a href="#">A63B 39/04</a>
-------------------------------------	----------------------------

**Informative references**

*Attention is drawn to the following places, which may be of interest for search:*

Air pumps per se for blowing up balls	<a href="#">F04</a>
Muscle-powered pumps	<a href="#">F04B 33/00</a>

**A63B 43/00**

**Balls with special arrangements**

**References****Informative references**

*Attention is drawn to the following places, which may be of interest for search:*

Feathered missiles with special functions	<a href="#">A63B 67/197</a>
Playing balls or other moving playing bodies, e.g. pinballs or discs used instead of balls	<a href="#">A63F 7/40</a>

**Special rules of classification**

Heavy throwing balls, medicine balls and the like are classified in [A63B 65/06](#)

**A63B 43/002**

**{with special configuration, e.g. non-spherical (discs for throwing [A63B 65/10](#))}**

**References****Limiting references**

*This place does not cover:*

Discs for throwing	<a href="#">A63B 65/10</a>
--------------------	----------------------------

**Special rules of classification**

American Footballs are to be classified always in [A63B 43/002](#) and [A63B 2243/007](#). For American Footballs lacing system, classify in [A63B 41/085](#).

**A63B 43/005****{with adhesive type surfaces, e.g. hook-and-loop type fastener}****References****Informative references***Attention is drawn to the following places, which may be of interest for search:*

(Sports equipment in general) with adhesive type surfaces, e.g. hook-and-loop fasteners	<a href="#">A63B 2209/10</a>
---	------------------------------

**A63B 43/007****{Arrangements on balls for connecting lines or cords}****References****Informative references***Attention is drawn to the following places, which may be of interest for search:*

Balls tethered to a line or cord	<a href="#">A63B 69/0079</a>
Tethered playing balls or other tethered playing bodies	<a href="#">A63F 2007/4087</a>

**A63B 43/008****{with means for improving visibility, e.g. special markings or colours (illuminating or reflecting means [A63B 43/06](#))}****Definition statement***This place covers:*

Means for improving visibility. Special markings or colours. Also special markings or indices for training purposes.

**References****Limiting references***This place does not cover:*

Balls with illuminating or reflecting means	<a href="#">A63B 43/06</a>
---	----------------------------

**A63B 43/02****with a handle****Special rules of classification**Hopping balls for sitting and bouncing on: [A63B 25/08](#)

**A63B 43/04**

with an eccentric centre of gravity; with mechanism for changing the centre of gravity (solid balls [A63B 37/10](#))

**References****Limiting references**

*This place does not cover:*

Cores with an eccentric centre of gravity for solid balls	<a href="#">A63B 37/10</a>
---	----------------------------

**Informative references**

*Attention is drawn to the following places, which may be of interest for search:*

Motorised rolling toys	<a href="#">A63H 33/005</a>
------------------------	-----------------------------

**A63B 43/06**

with illuminating devices {; with reflective surfaces}

**References****Informative references**

*Attention is drawn to the following places, which may be of interest for search:*

Other means for improving visibility	<a href="#">A63B 43/008</a>
Exercising or sporting devices provided with means enabling use in the dark	<a href="#">A63B 2225/76</a> , <a href="#">A63B 2225/74</a>

**A63B 45/00**

Apparatus or methods for manufacturing balls (working of plastics or substances in a plastic state [B29](#))

**References****Limiting references**

*This place does not cover:*

Working of plastics or substances in a plastic state	<a href="#">B29</a>
Producing hollow plastic balls	<a href="#">B29D 22/00</a>
Producing plain plastic balls	<a href="#">B29D 99/0042</a>

## A63B 45/02

### Marking of balls

#### References

##### *Informative references*

Attention is drawn to the following places, which may be of interest for search:

Identification means which can be read by electronic detection means	<a href="#">A63B 2225/15</a>
Printing apparatus	<a href="#">B41F 17/34</a>
Methods of printing	<a href="#">B41M</a>

## A63B 47/00

### Devices for handling or treating balls {, e.g. for holding or carrying balls}

#### References

##### *Informative references*

Attention is drawn to the following places, which may be of interest for search:

Arrangements for maintaining ball pressure	<a href="#">A63B 39/02</a>
Fitted on golf bags	<a href="#">A63B 55/20</a>
Holders for golf balls	<a href="#">A63B 57/20</a>
Ball holders combined with racket presses	<a href="#">A63B 60/44</a>
With racket covers or cases	<a href="#">A63B 60/58</a>
Devices for handling or treating for games with feathered missiles, e.g. badminton	<a href="#">A63B 67/18</a>
Sport bags	<a href="#">A45C 2003/007</a>
Machines or devices designed for grinding spherical surfaces or parts of spherical surfaces on work	<a href="#">B24B 11/00</a>

#### Special rules of classification

Ball holders combined with racket presses are classified both in [A63B 47/00](#) and in [A63B 60/44](#).

## A63B 47/002

{Devices for dispensing balls, e.g. from a reservoir (automatic teeing devices [A63B 57/0006](#); devices for projecting balls [A63B 69/40](#))}

#### References

##### *Limiting references*

This place does not cover:

Automatic teeing devices	<a href="#">A63B 57/0006</a>
Devices for projecting balls	<a href="#">A63B 69/40</a>

**Informative references**

Attention is drawn to the following places, which may be of interest for search:

Bats or rackets having ball-dispensing means	<a href="#">A63B 60/38</a>
Devices for alarm or indication, e.g. when empty	<a href="#">G07F 9/02</a>

**A63B 47/008**

{Devices for measuring or verifying ball characteristics}

**References****Informative references**

Attention is drawn to the following places, which may be of interest for search:

Measuring or testing in general	<a href="#">G01</a>
Mechanical measuring of sport	<a href="#">G01B 5/0023</a>

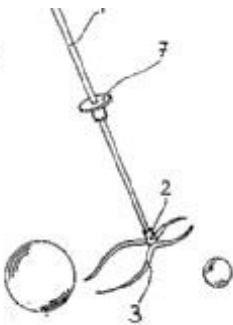
**A63B 47/02**

for picking-up {or collecting}

**Definition statement**

This place covers:

The following image shows a device for picking-up or collecting balls.

**References****Informative references**

Attention is drawn to the following places, which may be of interest for search:

Analogous devices for inserting a golf tee with a ball on it	<a href="#">A63B 57/0037</a>
Bats or rackets having ball-dispensing or storing means	<a href="#">A63B 60/38</a>
Targets or goals with ball-returning means	<a href="#">A63B 2063/001</a>

## A63B 47/021

{for picking-up automatically, e.g. by apparatus moving over the playing surface}

### Definition statement

*This place covers:*

The following image shows an apparatus for automatic pick-up by moving over a surface.



### References

#### Informative references

Attention is drawn to the following places, which may be of interest for search:

Apparatus for gathering together crops spread on the soil, e.g. apples, beets, nuts, potatoes	<a href="#">A01D 51/00</a>
---	----------------------------

## A63B 2047/022

{Autonomous machines which find their own way around the playing surface}

### Definition statement

*This place covers:*

Robot-like machines running around collecting balls, able to respond autonomously to obstacles and the like. Not intended to be used for radio-controlled vehicles operated remotely by a person.

## A63B 47/025

{Installations continuously collecting balls from the playing areas, e.g. by gravity, with conveyor belts}

### References

#### Limiting references

*This place does not cover:*

Golf cups with ejector means	<a href="#">A63B 57/405</a>
Targets or goals with ball returning means	<a href="#">A63B 2063/001</a>

## A63B 47/04

for cleaning balls (apparatus for cleaning balls, as accessories for bowling- or table alleys [A63D 5/10](#))

### References

#### Informative references

Attention is drawn to the following places, which may be of interest for search:

Apparatus for cleaning balls, as accessories for bowling- or table alleys	<a href="#">A63D 5/10</a>
---	---------------------------

## A63B 49/00

Stringed rackets, e.g. for tennis (strings therefor [A63B 51/00](#))

### References

#### Limiting references

This place does not cover:

Strings for stringed rackets	<a href="#">A63B 51/00</a>
------------------------------	----------------------------

#### Informative references

Attention is drawn to the following places, which may be of interest for search:

Resonance frequency related characteristics	<a href="#">A63B 60/002</a>
Shaping of plastics for rackets	<a href="#">B29L 2031/5245</a>

### Special rules of classification

Aspects of inventions which relate to various types of sports bats, of which rackets are just one example, are to be classified in [A63B 60/00](#), [A63B 2102/00](#) and subgroups, e.g. shock damping means equally applicable to rackets, golf clubs and other sports bats are to be classified in [A63B 60/54](#)

Details of manufacturing methods are additionally classified according to the relevant manufacturing process

## A63B 49/02

### Frames

### References

#### Informative references

Attention is drawn to the following places, which may be of interest for search:

Resonance frequency related characteristics	<a href="#">A63B 60/002</a>
---	-----------------------------



**A63B 49/022****String guides on frames, e.g. grommets****Definition statement**

*This place covers:*

e.g. grommets.

**References****Limiting references**

*This place does not cover:*

Stringing tennis rackets	<a href="#">A63B 51/00</a>
Devices arranged in or on the racket for adjusting the tension of the strings	<a href="#">A63B 51/12</a>

**A63B 49/025****Means on frames for clamping string ends****References****Informative references**

*Attention is drawn to the following places, which may be of interest for search:*

Using strings with different characteristics on the same frame	<a href="#">A63B 51/001</a>
Using strings with different cross-sections, e.g. different thickness, on the same frame	<a href="#">A63B 51/002</a>
Using strings with different tension on the same frame	<a href="#">A63B 51/004</a>
With non-circular cross-section	<a href="#">A63B 51/026</a>
Devices arranged in or on the racket for adjusting the tension of the string	<a href="#">A63B 51/12</a>

**A63B 49/028****Means for achieving greater mobility of the string bed****References****Limiting references**

*This place does not cover:*

Devices for adjusting the tension of racket strings	<a href="#">A63B 51/12</a>
---	----------------------------

**Informative references**

*Attention is drawn to the following places, which may be of interest for search:*

Using strings with different characteristics on the same frame	<a href="#">A63B 51/001</a>
Using strings with different cross-sections, e.g. different thickness, on the same frame	<a href="#">A63B 51/002</a>

Using strings with different tension on the same frame	<a href="#">A63B 51/004</a>
With non-circular cross-section	<a href="#">A63B 51/026</a>

### Special rules of classification

[A63B 51/12](#) takes precedence.

### A63B 49/03

characterised by throat sections, i.e. sections or elements between the head and the shaft

#### Definition statement

*This place covers:*

Throat sections, i.e. not necessarily a separate piece.

#### References

##### Informative references

Attention is drawn to the following places, which may be of interest for search:

With variable thickness of the head in a direction perpendicular to the string plane	<a href="#">A63B 2049/0211</a>
With variable thickness of the head in the string plane	<a href="#">A63B 2049/0217</a>

### A63B 49/032

T-shaped connection elements

#### Definition statement

*This place covers:*

e.g. typically found in badminton racquets

### A63B 49/038

with head subframes for replacing strings

#### References

##### Informative references

Attention is drawn to the following places, which may be of interest for search:

Pre-woven string-sets ready for insertion into a frame	<a href="#">A63B 51/01</a>
--	----------------------------

### A63B 49/08

with special construction of the handle

#### Relationships with other classification places

See also [B25G 1/00](#) for handle constructions and [B25G 3/00](#) for attaching handles to implements on a shaft.

## References

### Informative references

Attention is drawn to the following places, which may be of interest for search:

Special means for attachment of arms or hands to exercising or sports equipment	<a href="#">A63B 21/4017</a>
Throat sections with two legs having mutually different constructions	<a href="#">A63B 2049/0325</a>
Handles or grips for bats	<a href="#">A63B 60/06</a>

## Special rules of classification

Details are also to be classified in subgroups of [A63B 60/06](#) where appropriate

## A63B 49/10

### made of non-metallic materials, other than wood

## References

### Informative references

Attention is drawn to the following places, which may be of interest for search:

Shafts, e.g. non-metallic shafts, for golf clubs	<a href="#">A63B 53/10</a>
Documents relating to methods of manufacturing composite shafts	<a href="#">B29C</a>
Shaping composites, i.e. plastics material comprising reinforcements, fillers or preformed parts, e.g. inserts	<a href="#">B29C 70/00</a>
Layered products characterised by the non-homogeneity or physical structure, i.e. comprising a fibrous, filamentary, particulate or foam layer; Layered products characterised by having a layer differing constitutionally or physically in different parts	<a href="#">B32B 5/00</a>
Manufacture of articles or shaped materials containing macromolecular substances	<a href="#">C08J 5/00</a>

## Special rules of classification

Characteristics of materials are classified in [A63B 2209/00](#) and subgroups, e.g. long, oriented fibres, e.g. wound filaments, woven fabrics, mats [A63B 2209/023](#)

Documents relating to methods of manufacturing composite shafts should also be classified in [B29C](#).

## A63B 49/12

### made of metal

## References

### Informative references

Attention is drawn to the following places, which may be of interest for search:

Resonance frequency related characteristics	<a href="#">A63B 60/002</a>
---	-----------------------------

## A63B 51/00

**Stringing tennis, badminton or like rackets; Strings therefor; Maintenance of racket strings**

### References

#### *Informative references*

*Attention is drawn to the following places, which may be of interest for search:*

String guides on frames	<a href="#">A63B 49/022</a>
Clamping strings on frames	<a href="#">A63B 49/025</a>

## A63B 51/005

**Devices for measuring the tension of strings (for controlling the tension during stringing [A63B 51/14](#))**

### References

#### *Informative references*

*Attention is drawn to the following places, which may be of interest for search:*

Devices for controlling the tension during stringing	<a href="#">A63B 51/14</a> , <a href="#">A63B 51/16</a>
Measuring force, in general	<a href="#">G01L</a>
Apparatus for or methods of measuring the tension in ropes, cables, wires, threads, belts, bands or like flexible members	<a href="#">G01L 5/04</a>

## A63B 51/01

**Pre-woven string-sets ready for insertion into a frame**

### Special rules of classification

Head subframes for replacing the stringing [A63B 49/038](#).

## A63B 51/02

**Strings; String substitutes; Products applied on strings, e.g. for protection against humidity or wear**

### Definition statement

*This place covers:*

Strings for sports rackets.

### Relationships with other classification places

Methods of making a string for a racquet are usually classified in [D02G 3/444](#)

Yarn or threads for use in sports applications are ALSO classified in [D02G 3/444](#)

## References

### Informative references

Attention is drawn to the following places, which may be of interest for search:

Mechanical methods or apparatus in the manufacture of artificial filaments, threads, fibres, bristles or ribbons	<a href="#">D01D</a>
Yarns or threads for use in sports applications	<a href="#">D02G 3/444</a>
Ropes or cables in general	<a href="#">D07B</a>
Strings for musical instruments	<a href="#">G10D 3/10</a>

## A63B 53/00

### Golf clubs

#### Definition statement

*This place covers:*

Golf clubs considered as a whole, e.g. documents disclosing clubs characterised by the form, balance, Swing-weight or frequency of the overall club. In many cases the documents should also be classified in subgroups for individual characteristics (see Technical Relationships).

#### Relationships with other classification places

For special materials or manufacturing processes, the specific field concerned should be consulted, e.g. forged product [B21K](#); making sport articles [B21K 17/00](#); casting [B22D](#); casting of metals/special casting [B22D 19/00](#), [B22D 25/00](#); soldering/welding [B23K](#); laser welding [B23K 26/00](#); shaping composites [B29C 70/00](#); sport equipment [B29L 2031/52](#); producing articles from plastics [B29D](#); shaping of plastics for clubs [B29L 2031/5227](#); heat treatment [C21D](#); alloys [C22C 19/055](#); metal matrix composite [C22C 32/00](#); casting metallic material [C23C](#).

Also, classify where appropriate in classes relating to specific parts of the club.

## References

### Informative references

Attention is drawn to the following places, which may be of interest for search:

Cleaning or maintenance of golf-clubs, putters, shoes or other golf accessories	<a href="#">A63B 57/60</a>
Bats, rackets or the like, not covered by groups <a href="#">A63B 49/00</a> - <a href="#">A63B 57/00</a>	<a href="#">A63B 59/00</a>
Devices for measuring, verifying or correcting golf club characteristics	<a href="#">A63B 60/42</a>
Clubs or attachments on clubs for golf training	<a href="#">A63B 69/3632</a>
Clubs or attachments on clubs for putting	<a href="#">A63B 69/3685</a>
Metal forging or pressing of sports articles	<a href="#">B21K 17/00</a>
Shaping of plastics for clubs	<a href="#">B29L 2031/5227</a>

#### Special rules of classification

Details are also to be classified in subgroups of [A63B 60/00](#) and [A63B 2102/00](#), where appropriate.

Details of manufacturing methods are additionally classified according to the relevant manufacturing process.

## A63B 53/005

{Club sets}

### Definition statement

*This place covers:*

Group relating to sets of golf clubs, i.e. golf clubs related by a common characteristic throughout the series, e.g. length, swingweight, resonant frequency; the characteristic may be constant or progressive throughout the set.

## A63B 53/02

**Joint structures between the head and the shaft**

### References

#### Informative references

*Attention is drawn to the following places, which may be of interest for search:*

General aspects: of joining tubular articles; of joining long products; of joining single elements to tubular articles; of hollow articles or bars; of joining several hollow-preforms to form hollow or tubular articles	<a href="#">B29C 66/50</a>
---	----------------------------

## A63B 53/021

**{the shaft axis being forwardly offset relative to the striking face of the head}**

### References

#### Informative references

*Attention is drawn to the following places, which may be of interest for search:*

Handle for bats, in general, whose axis is different from the main axis of the bat	<a href="#">A63B 60/34</a>
--	----------------------------

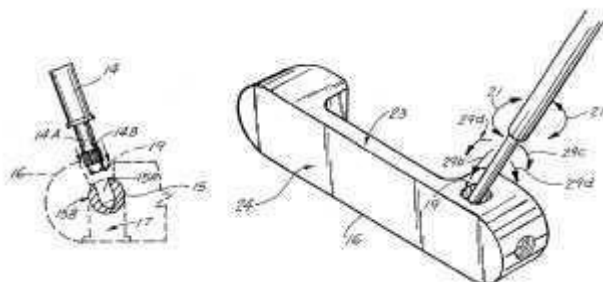
## A63B 53/023

**{adjustable angular orientation}**

### Definition statement

*This place covers:*

Golf clubs in which the angular orientation of the shaft relative to the head can be adjusted (see image below).



## References

### Informative references

Attention is drawn to the following places, which may be of interest for search:

Substantially flexible or hinged shafts	<a href="#">A63B 60/0081</a>
---	------------------------------

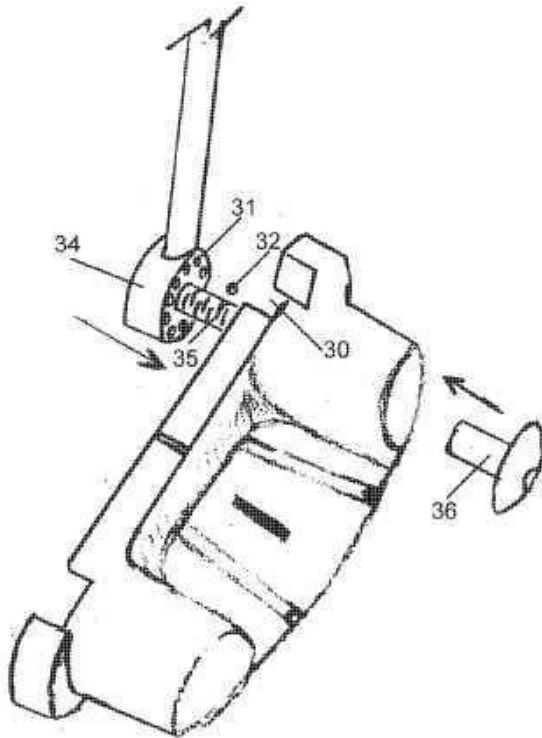
## A63B 53/025

{lie angle only, i.e. relative angular adjustment between the shaft and the club head about an axis parallel to the intended line of play when the club is in its normal address position}

### Definition statement

*This place covers:*

Golf clubs in which the lie angle of the shaft relative to the head can be adjusted (see image below).



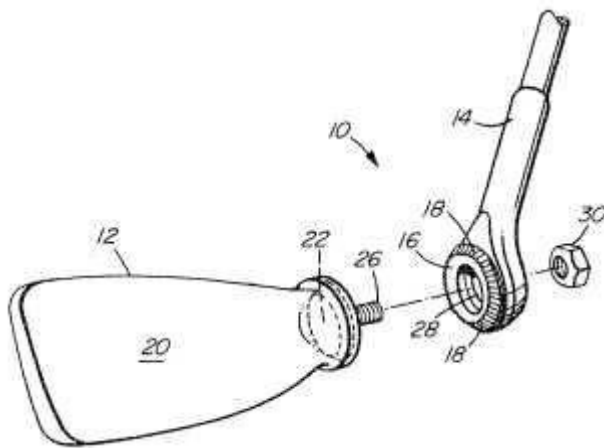
## A63B 53/026

{loft angle only, i.e. relative angular adjustment between the shaft and the club head about a horizontal axis perpendicular to the intended line of play when the club is in its normal address position}

### Definition statement

*This place covers:*

Golf clubs in which the loft angle of the shaft relative to the head can be adjusted (see image below).



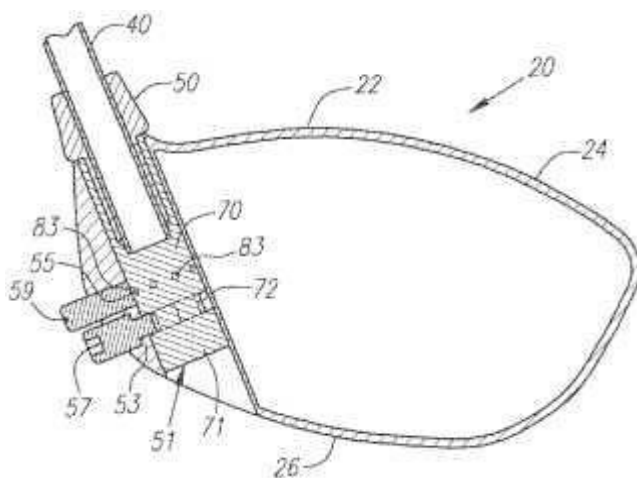
## A63B 53/027

{about the longitudinal axis of the shaft only}

### Definition statement

*This place covers:*

Golf clubs in which the shaft can be adjusted about its longitudinal axis relative to the head (see image below).





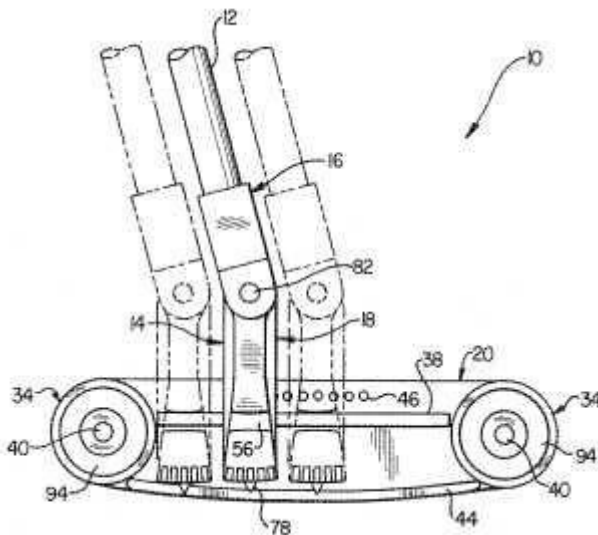
## A63B 53/028

{with a range of alternative attachment points for the shaft}

### Definition statement

*This place covers:*

Golf clubs in which the shaft can be attached to the head at any of a range of alternative attachment points (see image below).



## A63B 53/04

### Heads

#### Special rules of classification

Subgroup [A63B 53/04](#) is only to be used in case that none of its dependent lower subgroups is applicable; e.g. a document disclosing a driver but where the technology can also be used in iron clubs and putter should not be classified in [A63B 53/04](#), but rather in [A63B 53/0466](#) as Invention, [A63B 53/047](#) and [A63B 53/0487](#) as Additional.

Multiple entry classification is used, i.e. documents are classified in each subgroup that is applicable.

Club heads with the following features are additionally classified as follows:

- Sets of golf clubs, i.e. in which the heads are related throughout the set by a constant or progressive characteristic, in [A63B 53/005](#);
- Club heads with a face insert in [A63B 53/0416](#);
- Special sole configurations in [A63B 53/0433](#);
- Visual indicators for aligning the golf club in [A63B 53/0441](#);
- Heads with added weights, e.g. changeable, replaceable, in [A63B 2053/0491](#); [A63B 60/02](#)
- Materials in [A63B 2209/00](#) and subgroups.

Documents relating to woods must be classified in [A63B 53/0466](#).

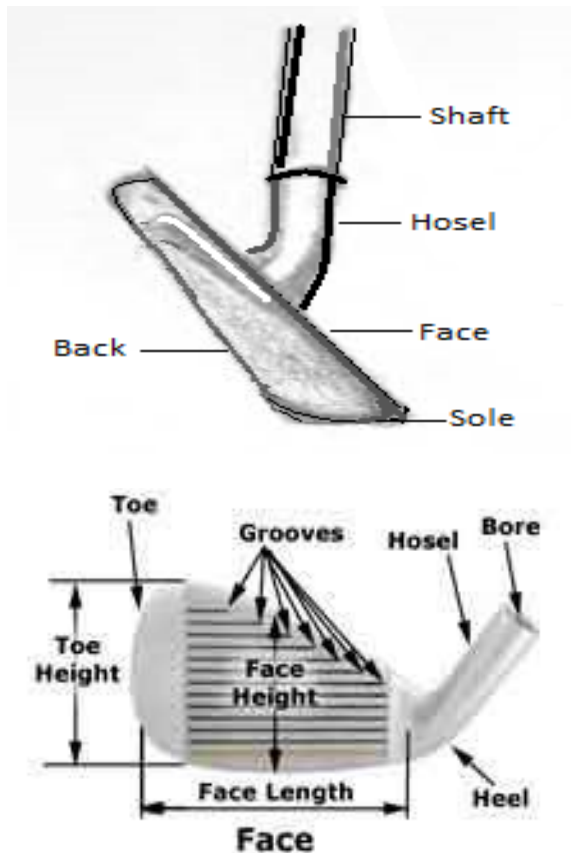
Documents relating to irons must be classified in [A63B 53/047](#).

Putter heads are classified in [A63B 53/0487](#).

Adjustable heads are classified in [A63B 53/06](#), [A63B 60/00](#), [A63B 60/46](#).

## Glossary of terms

In this place, the following terms or expressions are used with the meaning indicated:



### A63B 53/0416

{Heads having an impact surface provided by a face insert}

## References

### Informative references

Attention is drawn to the following places, which may be of interest for search:

Striking surfaces, in general, coated with high-friction abrasive material	<a href="#">A63B 60/004</a>
--	-----------------------------

### A63B 53/0433

{with special sole configurations}

## Definition statement

This place covers:

A special configuration of the portion of the club head that normally touches the ground; this can be on the external side or on the internal side of this portion, e.g. a difference in thickness, ribs or even a lower portion that usually should contact the ground but which is designed not to touch the ground.

## References

### Informative references

Attention is drawn to the following places, which may be of interest for search:

Strengthening ribs	<a href="#">A63B 53/045</a>
--------------------	-----------------------------

## A63B 53/0437

{with special crown configurations}

### Special rules of classification

In general, only wood clubs are regarded as having a crown. However, if in an iron club or a putter, the invention lies in the top portion of the club head, and this subgroup should be used.

[A63B 53/0441](#) is the relevant group, if the effect is only a visual indication.

## A63B 53/0441

{with visual indicators for aligning the golf club}

## References

### Informative references

Attention is drawn to the following places, which may be of interest for search:

Heads with special crown configurations	<a href="#">A63B 53/0437</a>
Aiming or aligning devices for training purposes, for woods and irons; for putters	<a href="#">A63B 69/3632</a> , <a href="#">A63B 69/3685</a>

### Special rules of classification

Considering that almost all putter heads and many woods have some form of visual indicator for aligning the golf club, this class is only given to those documents which describe details of the visual indicator, or in which the visual indicator differs from a standard marking.

## A63B 53/0445

{Details of grooves or the like on the impact surface}

### Definition statement

*This place covers:*

Details of the surface of the striking face, e.g. special groove features, other protrusions or indentations.

### Special rules of classification

Note that with the exception of putters, almost all golf clubs have a grooved striking face. This subgroup is only for golf clubs in which the surface is specified in detail.

## A63B 53/045

{Strengthening ribs}

### Special rules of classification

If the ribs are realised by creating slits or grooves, then only the subgroup [A63B 60/52](#) should be used, unless on the impact surface, where only [A63B 53/0445](#) should be used (see definition).

Bridge-like structures on putters are generally considered normal and should not be classified here unless special.

### Glossary of terms

*In this place, the following terms or expressions are used with the meaning indicated:*

Rib	An elongated structure that protrudes and which reinforces another surface.
-----	---

## A63B 53/0454

{Strengthening ribs on the rear surface of the impact face plate}

### References

#### Informative references

*Attention is drawn to the following places, which may be of interest for search:*

Heads with an impact surface provided by a face insert	<a href="#">A63B 53/0416</a>
--	------------------------------

## A63B 53/0458

{with non-uniform thickness of the impact face plate}

### Definition statement

*This place covers:*

Heads having an impact face plate where the cross-section along at least one axis discloses a non-uniform thickness. This should apply even if a cross-section in another axis might be uniform.

## A63B 53/0462

{characterised by tapering thickness of the impact face plate}

### Glossary of terms

*In this place, the following terms or expressions are used with the meaning indicated:*

Tapering	A gradually diminishing thickness, without any non-diminishing portions or steps there between, either from one side of the face to another side of the face, or from the centre of the face outwards.
----------	--

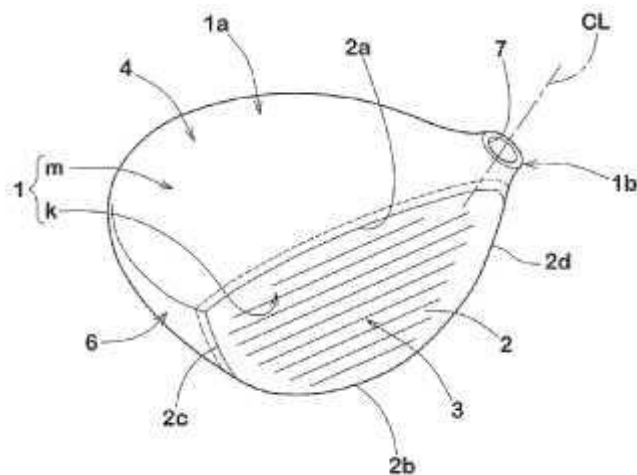
## A63B 53/0466

{wood-type}

### Definition statement

*This place covers:*

Traditional wooden golf club heads, and also heads made of other materials but similar in shape to traditional wooden heads, e.g. US2009258727 (see image below). The front-to-rear length of the head is normally greater than the height, providing for a centre of gravity positioned far behind the striking face. These heads are for long-distance shots.



### Glossary of terms

*In this place, the following terms or expressions are used with the meaning indicated:*

A wood-type golf club head	has a large, bulbous form usually with a convexly curved strike face and is used for hitting the ball long distances. They were traditionally solid wooden heads, but are nowadays usually in the form of hollow shells using strong, lightweight materials, e.g. titanium, fibre composite.
----------------------------	--

### Synonyms and Keywords

Hybrid club: a hybrid club combines the playing characteristics of both woods and irons.

Hybrid wood: a club which has a convexly curved strike face like a wood but which is usually lower from crown to sole than a wood and does not extend as far back from the strike face to the rear of the head. It may be solid or hollow.

## A63B 53/047

{iron-type}

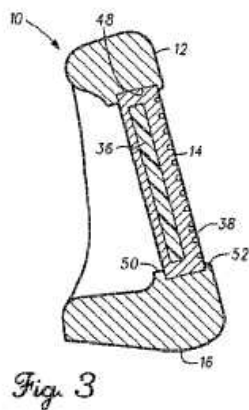
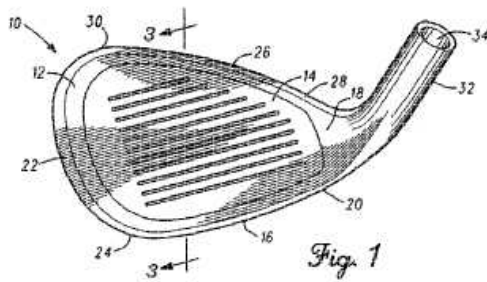
### Definition statement

*This place covers:*

Golf club heads resembling the type that was traditionally made of solid iron or steel, typically with a large, flat, angled striking face, usually having grooves to increase friction with a golf ball, e.g.

Definition statement

GB2451317 (see image below). This group also club heads of similar shape but made of other materials.



**Special rules of classification**

Irons with a cavity back, i.e. perimeter weighting but with the cavity open towards the rear of the club, should be classified here.

Irons with a hollow space which is completely closed on all sides including towards the rear should be classified in [A63B 53/0475](#).

**Glossary of terms**

*In this place, the following terms or expressions are used with the meaning indicated:*

Iron -type golf club head	traditionally has a thin, blade-like body, usually with a planar strike face, and is made of iron or steel (forged or cast). Similar-shaped heads made of other materials, e.g. titanium, fibre composite, also fall into this category.
Cavity backs	Many irons feature peripheral weighting on some or all of the perimeter of the rear surface. Irons with weighting around most or all of the perimeter are known as "cavity backs".

**A63B 53/0475**

**{with one or more enclosed cavities}**

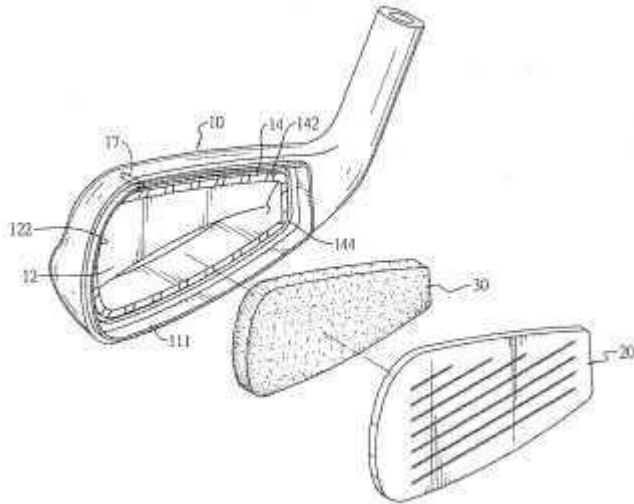
**Definition statement**

*This place covers:*

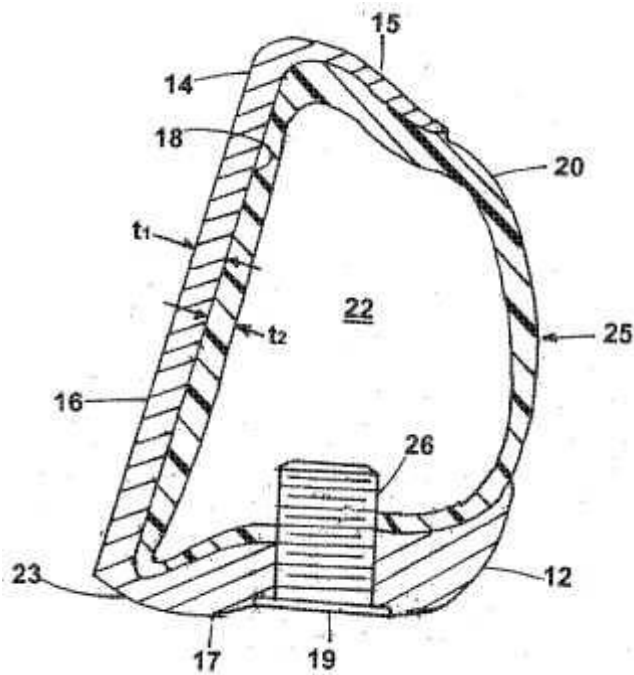
Irons with a hollow space which is completely closed on all sides and towards the rear.

Examples:

US2005209023



US2004266550



## References

### Informative references

Attention is drawn to the following places, which may be of interest for search:

Hybrid wood	<a href="#">A63B 53/0466</a>
-------------	------------------------------

### Special rules of classification

Irons with a cavity back, i.e. perimeter weighting but with the cavity open towards the rear of the club, should be classified in [A63B 53/047](#).

**Synonyms and Keywords**

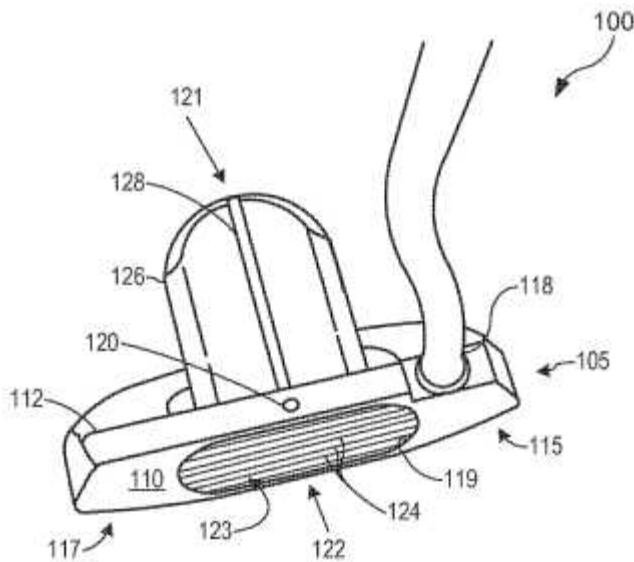
Hybrid club	a hybrid club combines the playing characteristics of both woods and irons.
Hybrid iron	a club which has a flat strike face like a traditional iron but which usually has an enclosed volume behind the strike face, providing a larger moment of inertia and a centre of gravity which is displaced further behind the strike face compared with a traditional iron.

**A63B 53/0487**

{for putters ([A63B 53/065](#) takes precedence)}

**Definition statement**

*This place covers:*



e.g. US2007243950

**References**

**Limiting references**

*This place does not cover:*

Adjustable heads for putters	<a href="#">A63B 53/065</a>
------------------------------	-----------------------------

**A63B 2053/0491**

{with added weights, e.g. changeable, replaceable}

**References**

**Limiting references**

*This place does not cover:*

Normal golf clubs with externally attached weights, e.g. for warming-up	<a href="#">A63B 69/3638</a>
---	------------------------------



## A63B 2053/0495

{moving on impact, slidable, spring or otherwise elastically biased}

### Definition statement

*This place covers:*

Added weights that are moving on impact, e.g. sliding or turning.

### References

#### Informative references

Attention is drawn to the following places, which may be of interest for search:

Weight systems where the position of the weight can be changed, but remains fixed during the stroke	<a href="#">A63B 2053/0491</a>
---	--------------------------------

### Special rules of classification

Weights movable in a slit should also be classified in [A63B 60/52](#).

## A63B 53/06

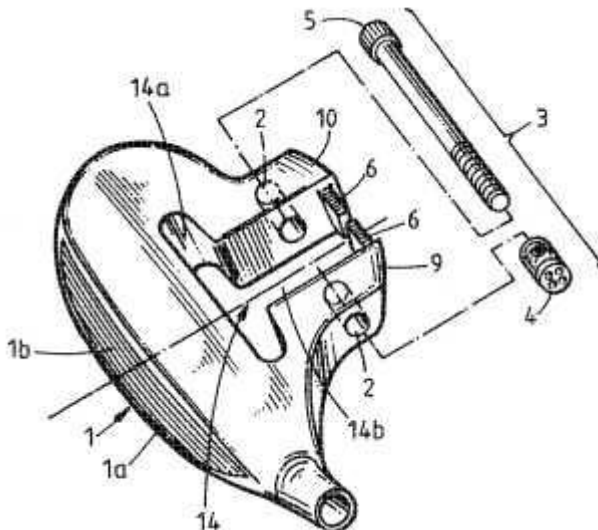
adjustable

### Definition statement

*This place covers:*

Golf club heads with some form of adjustment means for varying the characteristics of the club head, whereby the adjustment does not consist solely of changeable or replaceable added weights, or whereby the adjustment does not take place in the joint structure between the head and the shaft.

The following image shows adjustment means 3 on golf club head 1.



## References

### Informative references

Attention is drawn to the following places, which may be of interest for search:

When the adjustment takes place in the joint structure between the head and the shaft	<a href="#">A63B 53/022</a>
Devices for measuring, verifying, correcting or customizing characteristics of golf-clubs, bats or rackets	<a href="#">A63B 60/42</a>

### Special rules of classification

Golf club heads with added weights, e.g. changeable, replaceable, but not otherwise adjustable, should be classified in [A63B 2053/0491](#) and one or more of [A63B 53/0466](#), [A63B 53/047](#) and [A63B 53/0475](#).

## A63B 53/065

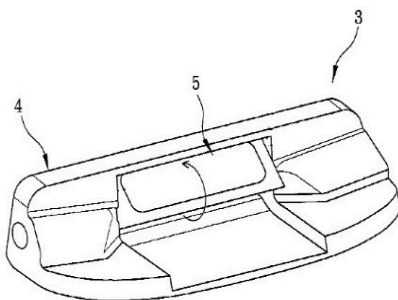
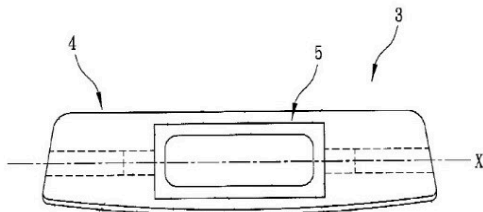
{for putters}

### Definition statement

*This place covers:*

Putter heads with some form of adjustment means for varying the characteristics of the head, whereby the adjustment does not consist solely of changeable or replaceable added weights, or whereby the adjustment does not take place in the joint structure between the head and the shaft.

Image below shows a golf putter head 3, with head body 4 having a rotatable faceplate 3 that rotates about axis (X).



## Special rules of classification

Putter heads with added weights, e.g. changeable, replaceable, but not otherwise adjustable, should be classified in [A63B 2053/0491](#), [A63B 60/02](#) and [A63B 53/0487](#).

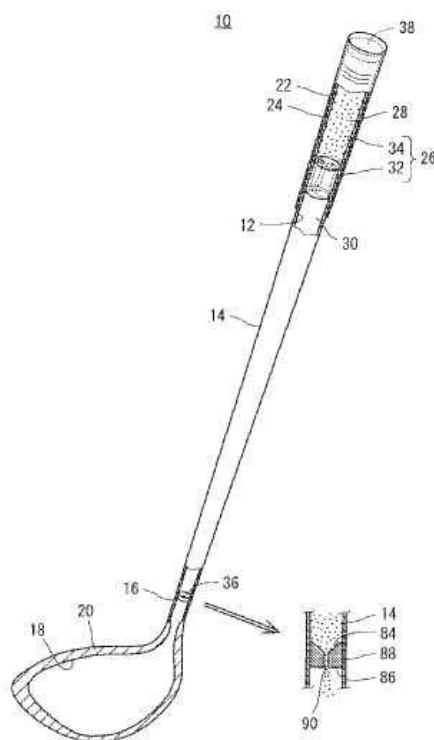
## A63B 53/08

with special arrangements for obtaining a variable impact

### Definition statement

*This place covers:*

Golf clubs with some form of adjustment means for varying the characteristics of the club, e.g. the club's balance or centre of gravity. See for example WO2007111272, which displays a changing head weight (see image below).



## References

### Informative references

*Attention is drawn to the following places, which may be of interest for search:*

User-manipulated weights; fluids, e.g. water	<a href="#">A63B 21/0602</a>
Resisting devices with rotary bodies; flywheels	<a href="#">A63B 21/225</a>
Striking surfaces coated with high-friction abrasive material	<a href="#">A63B 60/004</a>

## A63B 53/10

### Non-metallic shafts

#### Definition statement

*This place covers:*

Shafts made of composite materials and other non-metallic materials.

Characteristics of a shaft whereby the material is not mentioned and/or is not important for the invention

#### References

##### *Informative references*

*Attention is drawn to the following places, which may be of interest for search:*

Racket frames made of non-metallic materials, other than wood	<a href="#">A63B 49/10</a>
Metallic golf club shafts	<a href="#">A63B 53/12</a>
Resonance frequency related characteristics	<a href="#">A63B 60/002</a>
Substantially flexible shafts, hinged shafts	<a href="#">A63B 60/0081</a>
Telescopic shafts	<a href="#">A63B 60/0085</a>
Weighted handle	<a href="#">A63B 60/24</a>
Means for damping vibration	<a href="#">A63B 60/54</a>
Shaft materials	<a href="#">A63B 2209/00</a>
Size reducing arrangements for stowing or transport	<a href="#">A63B 2210/50</a>
Shaping composites, i.e. plastics material comprising reinforcements, fillers or preformed parts, e.g. inserts	<a href="#">B29C 70/00</a>
Layered products characterised by the non-homogeneity or physical structure, i.e. comprising a fibrous, filamentary, particulate or foam layer; Layered products characterised by having a layer differing constitutionally or physically in different parts	<a href="#">B32B 5/00</a>
Manufacture of articles or shaped materials containing macromolecular substances	<a href="#">C08J 5/00</a>

#### Special rules of classification

Considering that all golf clubs have a shaft, classifying in this group is not required for documents mentioning a particular type of shaft, if the shaft itself is not important for the invention disclosed, and is well known per se; in such a case, classifying the invention alone in the relevant groups is considered sufficient.

This group is also not required for documents disclosing a golf club, in which the otherwise well-known shaft is chosen to provide a golf club with specific characteristics. For example, a golf club with a carefully selected resonant frequency based on the length and stiffness of the shaft and the mass of the club head should be classified in [A63B 53/00](#) and [A63B 60/002](#), a set of such clubs should also be classified in [A63B 53/005](#).

Documents relating to methods of manufacturing composite shaft should also be classified in [B29C](#).

Characteristics of materials are classified in [A63B 2209/00](#) and subgroups, e.g. long, oriented fibres, e.g. wound filaments, woven fabrics, and mats [A63B 2209/023](#).

## A63B 53/12

### Metallic shafts

#### Definition statement

*This place covers:*

This class is for shafts made of metallic materials.

#### References

##### Limiting references

*This place does not cover:*

Shafts made of a composite material comprising metallic and non-metallic materials	<a href="#">A63B 53/10</a> , <a href="#">A63B 60/00</a> , <a href="#">A63B 60/46</a>
--	---

#### Special rules of classification

This class is not required for documents mentioning a particular type of metallic shaft if the shaft itself is not important to the invention disclosed and is well known per se; in such a case, classifying the invention alone is considered sufficient.

This class is also not required for documents disclosing a golf club in which an otherwise well known metallic shaft is chosen to provide a golf club with specific characteristics. For example, a golf club with a carefully selected resonant frequency based on the length and stiffness of the shaft and the mass of the club head should be classified in [A63B 53/00](#) and [A63B 60/002](#) ; a set of such clubs should also be classified in [A63B 53/005](#)

## A63B 53/14

### Handles

#### Definition statement

*This place covers:*

This class is for documents relating to the area or areas of the golf club gripped by the golfer when playing golf. It is for grips covering a part or parts of the club shaft. It is also for "gripless" shafts, i.e. shafts intended to be grasped directly by the hands of the golfer without an attached grip member.

#### References

##### Informative references

*Attention is drawn to the following places, which may be of interest for search:*

Attachments of exercising apparatus to the upper limbs of the user	<a href="#">A63B 21/4017</a>
Attachments of exercising apparatus to the hand of the user	<a href="#">A63B 21/4019</a>
Attachments of exercising apparatus to the wrist of the user	<a href="#">A63B 21/4021</a>
Weighted handles for golf clubs, bats, rackets or the like	<a href="#">A63B 60/24</a>
Attaching handles to the implements	<a href="#">B25G 3/00</a>

## Special rules of classification

"Gripless" shafts, i.e. shafts intended to be grasped directly by the hands of the golfer without an attached grip member, are to be classified here and also in [A63B 53/10](#), [A63B 60/00](#), [A63B 60/46](#) for non-metallic shafts or [A63B 53/12](#), [A63B 60/00](#), [A63B 60/46](#) for metallic shafts.

Details of the handles are also to be classified in subgroups of [A63B 60/06](#), where appropriate.

## A63B 55/00

**Bags for golf clubs; Stands for golf clubs for use on the course; Wheeled carriers specially adapted for golf bags**

### Definition statement

*This place covers:*

Golf bags, supports for golf bags while golfing, or caddies with wheels for golf bags.

### References

#### Informative references

Attention is drawn to the following places, which may be of interest for search:

Stands for golf clubs for use on the course	<a href="#">A63B 55/10</a>
Security means for locking golf clubs in the bag	<a href="#">A63B 2055/403</a>
Devices for protection, storage, or transport (e.g. stands or cases) for golf clubs (e.g. head covers and connector means therefor)	<a href="#">A63B 60/62</a>
Sheaths for golf clubs	<a href="#">A63B 60/64</a>
Apparatus or equipment provided with article holders	<a href="#">A63B 2225/68</a>
Flexible luggage; Handbags	<a href="#">A45C 3/00</a>
Sport bags	<a href="#">A45C 2003/007</a>
Sacks or packs carried on the body (harness for carrying a golf bag)	<a href="#">A45F 3/00</a>

## A63B 55/10

**Stands for golf clubs {, e.g.} for use on the course {; Golf club holders, racks or presses}**

### Definition statement

*This place covers:*

Means for carrying one or more golf clubs, or for supporting one or more golf clubs fully or partially above the ground.

### References

#### Limiting references

*This place does not cover:*

Golf bags	<a href="#">A63B 55/00</a> , <a href="#">A63B 55/30</a> , <a href="#">A63B 55/40</a> , <a href="#">A63B 60/60</a> , <a href="#">A63B 60/64</a>
-----------	--

Limiting references

Accessories for stowing or putting away equipment for games played with rackets or bats	<a href="#">A63B 60/60</a> , <a href="#">A63B 71/0045</a>
Cabinets or racks for storage	<a href="#">A47B</a> , <a href="#">A47B 81/005</a>
Show stands, hangers or shelves for displaying or storing golf clubs, e.g. in a shop	<a href="#">A47F</a> , <a href="#">A47F 7/0028</a>

**A63B 55/20****with special receptacles for the balls****References****Informative references***Attention is drawn to the following places, which may be of interest for search:*

Devices for holding or carrying balls	<a href="#">A63B 47/00</a>
Holders for golf balls when not in bags; stands or carriers for golf clubs	<a href="#">A63B 57/20</a>

**A63B 2055/402****{Warning devices for indicating missing golf clubs}****References****Informative references***Attention is drawn to the following places, which may be of interest for search:*

Theft alarms	<a href="#">G08B 13/00</a>
--------------	----------------------------

**A63B 2055/403****{Security means for locking golf clubs in the bag}****Definition statement***This place covers:*

Means for locking the clubs in the bag not necessarily only for theft prevention (it could also be, e.g. for holding the clubs into position).

**References****Informative references***Attention is drawn to the following places, which may be of interest for search:*

Covers or hoods for golf bags	<a href="#">A63B 55/404</a>
-------------------------------	-----------------------------

**A63B 55/404****{Covers or hoods for golf bags}****References****Informative references***Attention is drawn to the following places, which may be of interest for search:*

Covers for club heads	<a href="#">A63B 60/62</a>
Flexible luggage; Handbags	<a href="#">A45C 3/00</a>
Sport bags	<a href="#">A45C 2003/007</a>
Protective covers	<a href="#">A45C 13/002</a>

**A63B 55/406****{releasably attached}****Definition statement***This place covers:*

This class is for covers which are removable from the golf bag. Such covers or hoods can either cover the opening of the bag or enclose the whole bag, e.g. travel bags or cases for golf bags.

**A63B 55/408****{Releasably mounted accessories fitted outside the bag, e.g. straps or holders  
([A63B 55/20](#) and [A63B 55/50](#) take precedence)}****References****Limiting references***This place does not cover:*

Golf bags with special or detachable receptacles for the balls	<a href="#">A63B 55/20</a>
Supports for golf bags	<a href="#">A63B 55/50</a>

**Informative references***Attention is drawn to the following places, which may be of interest for search:*

Covers or hoods for golf bags	<a href="#">A63B 55/404</a>
Holders of golfing accessories, e.g. of tees, balls, or golf ball position markers	<a href="#">A63B 57/20</a>
Covers for golf club heads	<a href="#">A63B 60/62</a>
Details of carrying straps	<a href="#">A45F 3/00</a>
Supplementary fittings on vehicle exterior for carrying loads, e.g. luggage, sports gear, or the like	<a href="#">B60R 9/00</a>



**A63B 55/50****Supports, e.g. with devices for anchoring to the ground****Definition statement**

*This place covers:*

Support means for golf bags

**References****Limiting references**

*This place does not cover:*

Supports (other than bags) for golf clubs on the golf course	<a href="#">A63B 55/10</a>
--	----------------------------

**A63B 55/60****Wheeled carriers specially adapted for golf bags****Definition statement**

*This place covers:*

Golf bags.

**References****Informative references**

*Attention is drawn to the following places, which may be of interest for search:*

Measuring distance travelled	<a href="#">A63B 2220/20</a>
Running gear or propulsion features for wheeled carriers for golf bags	<a href="#">B60</a>
Supplementary fittings on vehicle exterior for carrying loads, e.g. luggage, sports gear or the like	<a href="#">B60R 9/00</a>
Insofar as the features thereof are generic to hand carts	<a href="#">B62B</a>
Trolley adapted to receive an ordinary/unspecified bag	<a href="#">B62B 1/00</a>
Accessories or details for handcarts	<a href="#">B62B 5/00</a>
Trolleys or handcarts for carrying golf articles, e.g. golf bags	<a href="#">B62B 2202/404</a>
Trolleys or handcarts for carrying golf clubs, i.e. not in a golf bag	<a href="#">B62B 2202/406</a>
Foldable or dismountable when not in use	<a href="#">B62B 2205/00</a>
Cycles; with adaptations to be used as golf carts	<a href="#">B62K 2005/002</a>
Measuring distance traversed for golf carts	<a href="#">G01C 22/004</a>

**A63B 2055/602****{Means for mounting weather shields, e.g. umbrellas, on caddies}****References****Limiting references***This place does not cover:*

Weather shields for a golf buggy	<a href="#">B60J 7/10</a>
----------------------------------	---------------------------

**Informative references***Attention is drawn to the following places, which may be of interest for search:*

Umbrellas	<a href="#">A45B 11/00</a>
-----------	----------------------------

**A63B 55/61****{motorised}****References****Informative references***Attention is drawn to the following places, which may be of interest for search:*

Motor vehicles	<a href="#">B62D</a>
----------------	----------------------

**A63B 57/00****Golfing accessories****Definition statement***This place covers:*

This group concerns devices and accessories used in the game of golf.

**References****Informative references***Attention is drawn to the following places, which may be of interest for search:*

Golf clubs	<a href="#">A63B 53/00</a> , <a href="#">A63B 60/00</a> , <a href="#">A63B 60/46</a>
Bags for golf clubs	<a href="#">A63B 55/00</a> , <a href="#">A63B 55/30</a> , <a href="#">A63B 55/40</a> , <a href="#">A63B 60/60</a> , <a href="#">A63B 60/64</a>
Training appliances or apparatus for golf	<a href="#">A63B 69/36</a>
Slidably retracted in a housing when not in use	<a href="#">A63B 2210/58</a>
Cigar holders	<a href="#">A24F 13/22</a>

**A63B 57/0006**

{Automatic teeing devices (devices for automatically dispensing balls in general [A63B 47/002](#))}

**References****Informative references**

Attention is drawn to the following places, which may be of interest for search:

Devices for automatically dispensing balls in general	<a href="#">A63B 47/002</a>
---	-----------------------------

**A63B 57/10****Golf tees****References****Informative references**

Attention is drawn to the following places, which may be of interest for search:

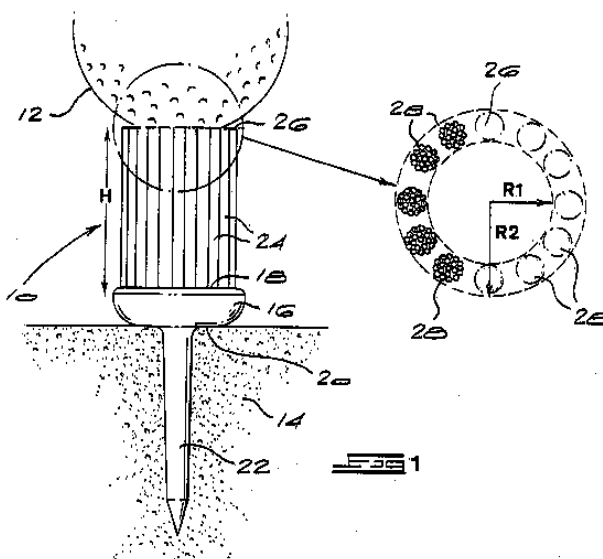
Means for releasably holding a ball in position prior to kicking, striking or the like	<a href="#">A63B 69/0075</a>
--	------------------------------

**A63B 57/16****Brush-type tees****Definition statement**

*This place covers:*

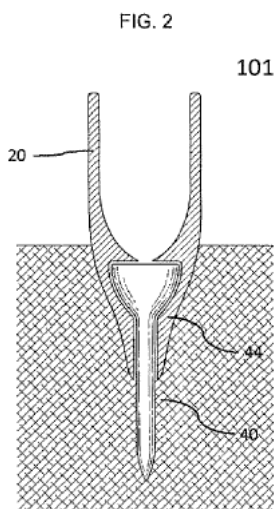
Tees which are conceived to penetrate the ground and where the ball is contacted only by flexible elements, no matter whether they constitute a "real brush" as such or something similar, as exemplified as follows:

With a "real brush":



(WO0045905)

Not necessarily being a "real brush":



(US8167741)

## A63B 57/18

with writing means

### References

#### Informative references

Attention is drawn to the following places, which may be of interest for search:

Other kind of sport equipment with a writing point	<a href="#">A63B 2225/08</a>
--	------------------------------

## A63B 57/20

Holders, e.g. of tees or of balls

### Definition statement

*This place covers:*

Holders for golfing accessories (such as, e.g. divot repair tools) when not in use or play.

### References

#### Informative references

Attention is drawn to the following places, which may be of interest for search:

Devices for handling or treating balls, e.g. for holding balls	<a href="#">A63B 47/00</a>
Ball holders attached to the player's body	<a href="#">A63B 47/001</a>
Receptacles for golf balls fitted on golf bags	<a href="#">A63B 55/20</a>
Supports for holding cigars or cigarettes while smoking	<a href="#">A24F 13/22</a>

**A63B 57/203****{Tee holders (to be fitted on golf bags or caddies [A63B 55/408](#))}****Definition statement***This place covers:*

Holders for tees when not in use.

**Special rules of classification**When these devices are adapted to be releasably mounted on a golf bag, they should also be classified in [A63B 55/408](#)**A63B 57/207****{Golf ball position marker holders}****Definition statement***This place covers:*

Holders for golf ball position markers when not in use.

**Special rules of classification**When these devices are adapted to be releasably mounted on a golf bag, they should also be classified in [A63B 55/408](#).**A63B 57/30****Markers****Definition statement***This place covers:*

Golf ball position markers.

**References****Informative references***Attention is drawn to the following places, which may be of interest for search:*

Holders of golf ball position markers	<a href="#">A63B 57/207</a>
---------------------------------------	-----------------------------

**A63B 57/35****with magnets****References****Informative references***Attention is drawn to the following places, which may be of interest for search:*

Magnetic materials	<a href="#">A63B 2209/08</a>
--------------------	------------------------------

**A63B 57/353****{Golf ball position markers}****References****Informative references***Attention is drawn to the following places, which may be of interest for search:*

Magnetic materials	<a href="#">A63B 2209/08</a>
Apparatus or equipment provided with article holders, e.g. keys, wallets, books	<a href="#">A63B 2225/687</a>

**A63B 57/40****Golf cups or holes****References****Informative references***Attention is drawn to the following places, which may be of interest for search:*

Targets or goals for ball games which are variable in size	<a href="#">A63B 2063/002</a>
Means for closing or opening a hole, covering, blocking or uncovering, unblocking a target	<a href="#">A63F 7/3055</a>

**Special rules of classification**

Additional classifications may be required in [A63B 63/00](#) (targets or goals for ball games) and [A63B 69/36](#) (Training appliances or apparatus for golf) and subclasses.

**A63B 57/405****{Cups with automatic ball ejector means}****References****Limiting references***This place does not cover:*

Targets or goals with ball returning means	<a href="#">A63B 2063/001</a> .
--	---------------------------------

**Informative references***Attention is drawn to the following places, which may be of interest for search:*

Variable in size	<a href="#">A63B 2063/002</a>
------------------	-------------------------------

**A63B 57/50****specially adapted for course maintenance****Definition statement***This place covers:*

Specific tools for repairing or maintaining the turf where the balls rest, e.g. golf divot tools.

**A63B 57/60****Cleaning or maintenance of golf clubs, putters, shoes or other golf accessories ({cleaning balls [A63B 47/04](#);} devices for cleaning handles or grips of golf clubs or putters [A63B 60/36](#))****References****Limiting references***This place does not cover:*

Cleaning balls	<a href="#">A63B 47/04</a>
Devices for cleaning handles or grips	<a href="#">A63B 60/36</a>

**Informative references***Attention is drawn to the following places, which may be of interest for search:*

Devices specially adapted for course maintenance	<a href="#">A63B 57/50</a>
Maintenance or repair accessories, e.g. for courts, greens, sands	<a href="#">A63B 57/60</a>
Brush for cleaning specific unusual places not otherwise covered, e.g. golf clubs	<a href="#">A46B 2200/3073</a>
Cleaning footwear in general	<a href="#">A47L 23/00</a>
Cleaning in general	<a href="#">B08B</a>

**A63B 59/00****Bats, rackets, or the like, not covered by groups [A63B 49/00](#) - [A63B 57/00](#)****References****Informative references***Attention is drawn to the following places, which may be of interest for search:*

Clubs for swinging exercises in general	<a href="#">A63B 15/00</a>
Details or accessories of golf clubs, bats, rackets or the like	<a href="#">A63B 60/00</a>
Bats in general (not only rackets) whose frames disclose slits	<a href="#">A63B 60/52</a>
Bats with a ball tethered thereto	<a href="#">A63B 67/20</a>
Shaping of plastics for clubs	<a href="#">B29L 2031/5227</a>

## Special rules of classification

Details of manufacturing methods are additionally classified according to the relevant manufacturing process.

Aspects of inventions which relate to specific types of sports bats should be classified in the relevant group, e.g. rackets in [A63B 49/00](#), golf clubs in [A63B 53/00](#), [A63B 60/00](#), [A63B 60/46](#) specific types of bat see [A63B 59/20](#) - [A63B 59/80](#)

## A63B 59/20

having means, e.g. pockets, netting or adhesive type surfaces, for catching or holding a ball, e.g. for lacrosse or pelota

### References

#### Limiting references

*This place does not cover:*

Juggling games with integral catching arrangements	<a href="#">A63B 67/083</a>
--	-----------------------------

#### Informative references

*Attention is drawn to the following places, which may be of interest for search:*

Hand-held mechanical projectors, e.g. for balls	<a href="#">A63B 65/122</a>
Dog ball launchers	<a href="#">A01K 15/025</a>

## A63B 59/30

forming hand-held throwing or catching aids for use with rings, discs, wheels or cylindrical throwing-bodies, or for use with balls having a central bore

### References

#### Informative references

*Attention is drawn to the following places, which may be of interest for search:*

Hand-held mechanical projectors, e.g. for balls	<a href="#">A63B 65/122</a>
Sling weapons	<a href="#">F41B 3/00</a>

## A63B 59/42

with solid surfaces

### Definition statement

*This place covers:*

Typical examples, such as paddles for table tennis, frescobol and pickle ball.



## A63B 59/48

### with perforated surfaces

#### Definition statement

*This place covers:*

Every kind of paddle with perforated flat striking surfaces for hitting a ball in the air and which is not covered by other groups.

Typical examples are paddles for paddle tennis, pádel tennis and platform tennis.

#### References

##### *Informative references*

*Attention is drawn to the following places, which may be of interest for search:*

Stringed rackets, e.g. for tennis	<a href="#">A63B 49/00</a>
-----------------------------------	----------------------------

## A63B 59/80

### Circular bats or paddles not provided for in groups [A63B 59/20](#) - [A63B 59/70](#)

#### References

##### *Informative references*

*Attention is drawn to the following places, which may be of interest for search:*

Games using a bat or racket with a body, e.g. a ball tethered thereto	<a href="#">A63B 65/122</a>
---	-----------------------------

## A63B 60/00

### Details or accessories of golf clubs, bats, rackets or the like

#### Special rules of classification

Aspects of inventions that relate to specific types of sports bats should be classified in the relevant group, e.g. stringed rackets in [A63B 49/00](#), golf clubs in [A63B 53/00](#), specific types of bats in [A63B 59/20](#) - [A63B 59/80](#).

Details are also to be classified in subgroups of [A63B 2102/00](#) where appropriate.

## A63B 60/002

### {Resonance frequency related characteristics}

#### References

##### *Informative references*

*Attention is drawn to the following places, which may be of interest for search:*

Emitting sound, noise or music	<a href="#">A63B 2071/0625</a>
--------------------------------	--------------------------------

## A63B 60/006

{Surfaces specially adapted for reducing air resistance}

### Definition statement

*This place covers:*

Details of the surface, e.g. dimpled.

### References

#### Informative references

Attention is drawn to the following places, which may be of interest for search:

Surfaces reducing air resistance, in general	<a href="#">F15D 1/12</a>
--	---------------------------

### Special rules of classification

Forms, profiles or through holes for reducing air resistance (i.e. special aerodynamic features that are not related to specific details of the surface) are classified in [A63B 2225/01](#).

## A63B 60/0081

{Substantially flexible shafts; Hinged shafts}

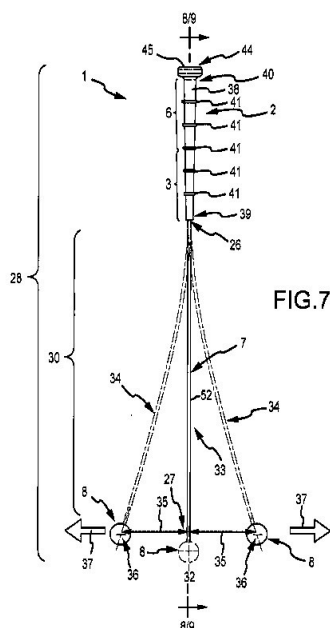
### Definition statement

*This place covers:*

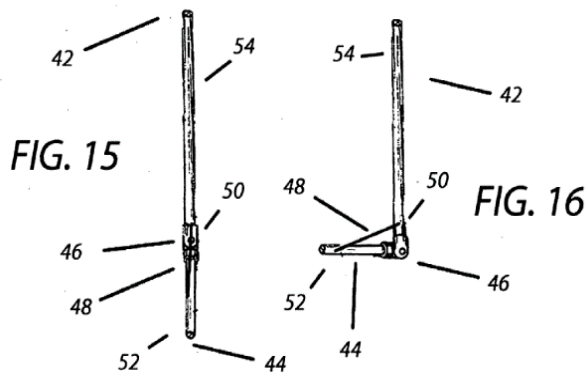
Flexible shafts (with or without a hinge).

Shafts with a hinge (independent of whether the hinged parts are flexible on their own or not).

Shafts with a certain degree of stiffness, independent of whether the flexibility is explicitly mentioned, as both flexibility and stiffness are relative terms that refer to the same property (i.e. a bigger or smaller degree of bendability).



Definition statement



**References**

**Limiting references**

*This place does not cover:*

Allowing adjustable angular orientation of the head of a golf club with respect to the shaft of the golf club	<a href="#">A63B 53/023</a>
---	-----------------------------

**A63B 60/0085**

{Telescopic shafts}

**Definition statement**

*This place covers:*

Telescopic shafts, handles and grips of rackets, golf clubs and every other kind of sport clubs and bats.

**References**

**Informative references**

*Attention is drawn to the following places, which may be of interest for search:*

Handles, grips and also shafts (when the shaft is used for gripping the apparatus) adjustable in length and which are not telescopic	<a href="#">A63B 60/28</a>
Walking sticks with shafts of adjustable length, e.g. telescopic shafts	<a href="#">A45B 2009/007</a>
Telescopic ski-sticks varying the length	<a href="#">A63C 11/221</a>
Telescopic or extensible handles for hand implements	<a href="#">B25G 1/04</a>
Telescoping systems	<a href="#">F16B 7/10</a>

## A63B 60/02

Ballast means for adjusting the centre of mass ([A63B 60/24](#), [A63B 60/54](#) take precedence)

### References

#### Limiting references

This place does not cover:

Weighted handles	<a href="#">A63B 60/24</a>
Golf clubs, bats, rackets or the like with means for damping vibrations	<a href="#">A63B 60/54</a>

#### Informative references

Attention is drawn to the following places, which may be of interest for search:

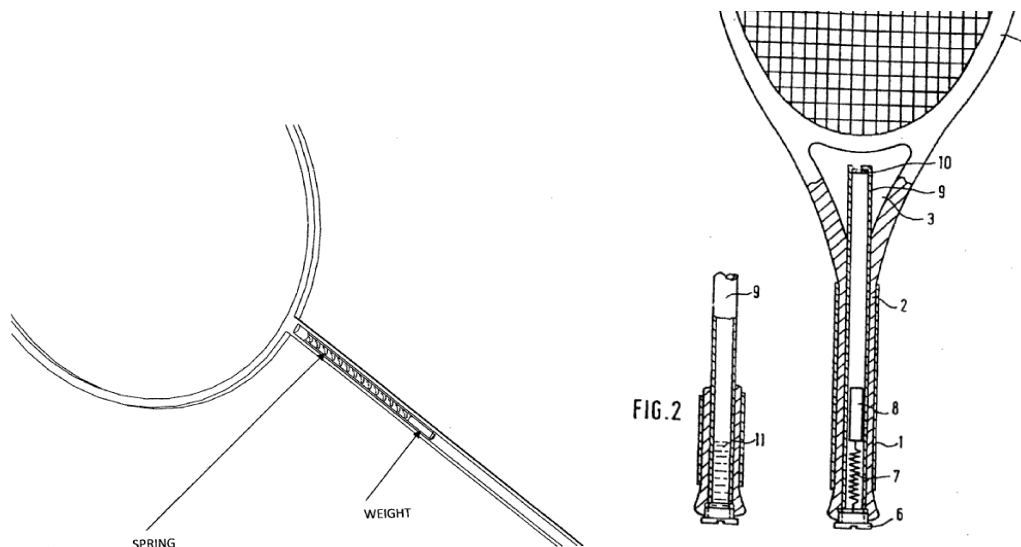
Golf club heads with added weights	<a href="#">A63B 2053/0491</a> , <a href="#">A63B 2053/0495</a>
------------------------------------	--

## A63B 60/04

Movable ballast means {([A63B 15/005](#) takes precedence)}

### Definition statement

This place covers:



### References

#### Limiting references

This place does not cover:

Clubs with a weight movable along the longitudinal axis due to centrifugal forces	<a href="#">A63B 15/005</a>
---	-----------------------------

**Informative references**

Attention is drawn to the following places, which may be of interest for search:

Weights set in movement on impact of the ball for damping vibrations	<a href="#">A63B 60/54</a>
--	----------------------------

**A63B 60/06****Handles****Definition statement**

*This place covers:*

Handles, grips and also shafts/shanks (when the shaft/shank is used for gripping the apparatus) of rackets, golf clubs and every other kind of sport clubs and bats.

**References****Informative references**

Attention is drawn to the following places, which may be of interest for search:

Attachments of exercising apparatus to the upper limbs of the user	<a href="#">A63B 21/4017</a>
Attachments of exercising apparatus to the hand of the user	<a href="#">A63B 21/4019</a>
Attachments of exercising apparatus to the wrist of the user	<a href="#">A63B 21/4021</a>
Handles for hand implements	<a href="#">B25G 1/00</a>

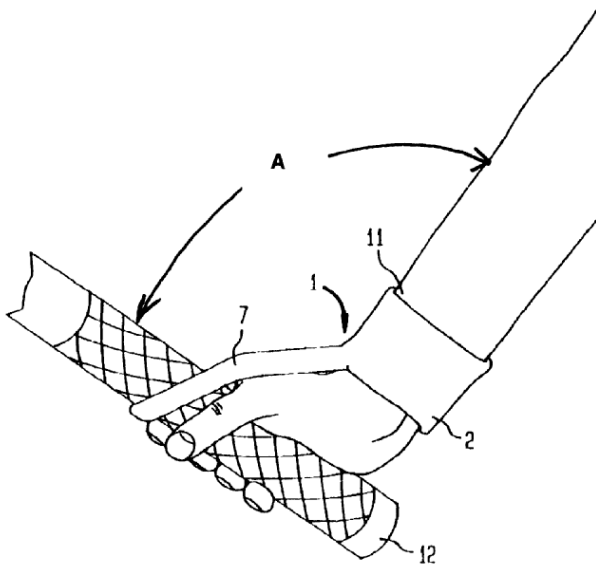
**Special rules of classification**

Handles for rackets should be classified in [A63B 49/08](#) and also in the subgroups of [A63B 60/06](#) where appropriate.

Handles for golf clubs should be classified in [A63B 53/14](#) and also in the subgroups of [A63B 60/06](#) where appropriate.

Example of document for [A63B 60/06](#) and [A63B 21/4021](#):

FIG. 13



Other types of bat should be classified in the appropriate class according to the type of bat (see [A63B 59/00](#) and subgroups).

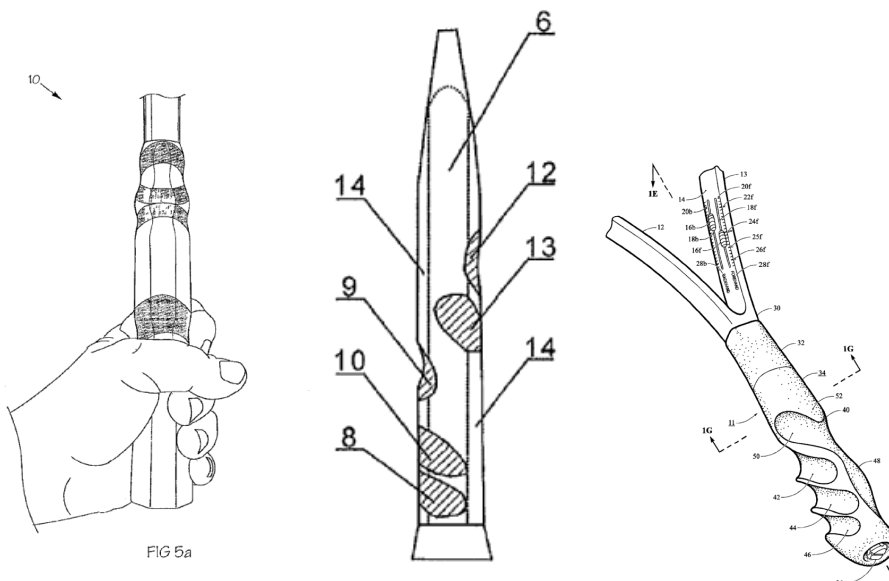
## A63B 60/12

contoured according to the anatomy of the user's hand

### Definition statement

*This place covers:*

Handles which are shaped to match the user's hand as shown in the following figures.



**References**

**Informative references**

Attention is drawn to the following places, which may be of interest for search:

Tactile feedback	<a href="#">A63B 2071/0655</a>
------------------	--------------------------------

**Special rules of classification**

Handles or grips with corrugated cross sections are additionally classified in [A63B 60/48](#).

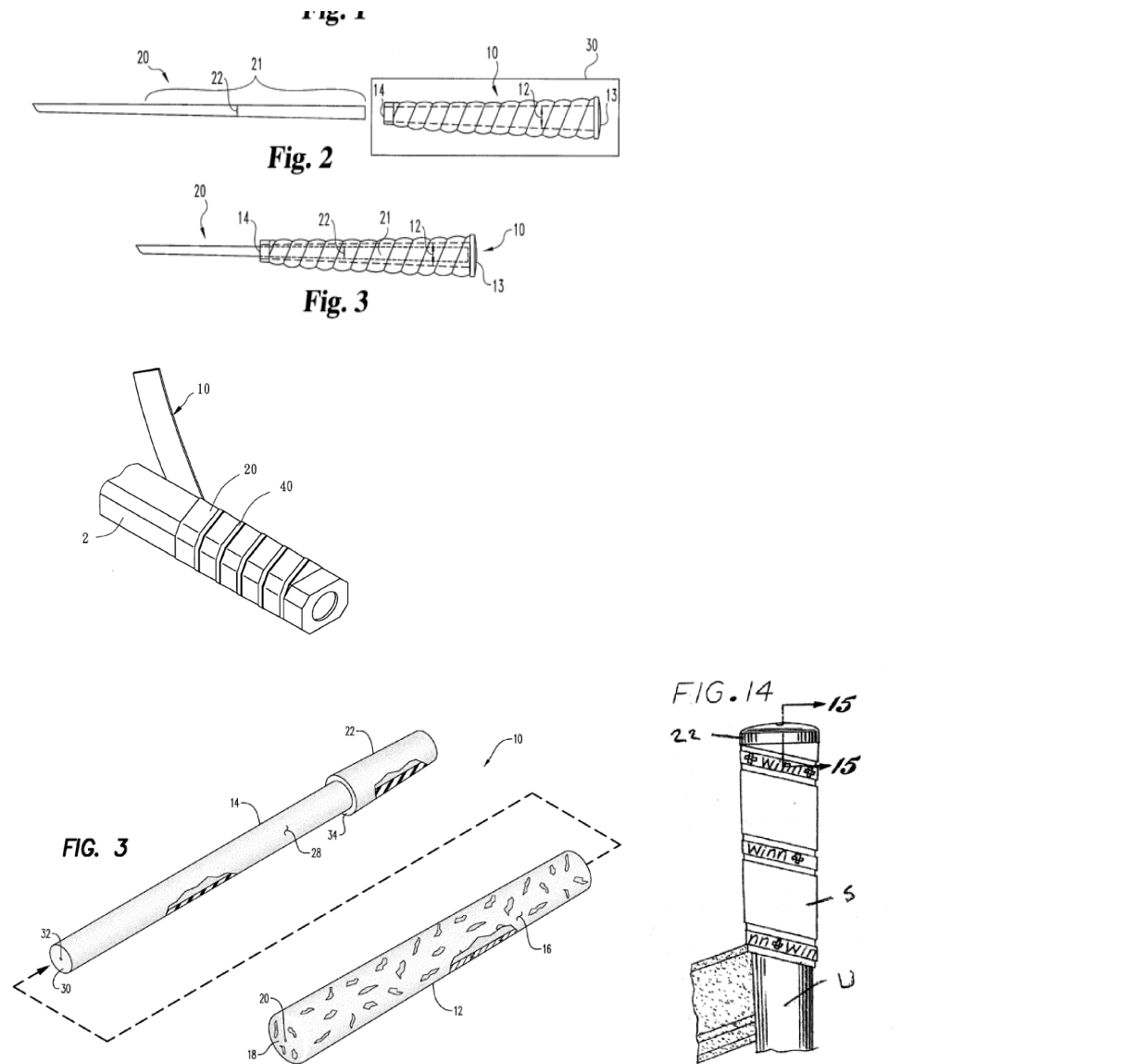
**A63B 60/14**

**Coverings specially adapted for handles, e.g. sleeves or ribbons**

**Definition statement**

This place covers:

Coverings for handles. Note examples of coverings, sleeves or ribbons shown in the following images.



**Relationships with other classification places**

Layered products in strips: [B32B 7/14](#)

**References**

**Informative references**

Attention is drawn to the following places, which may be of interest for search:

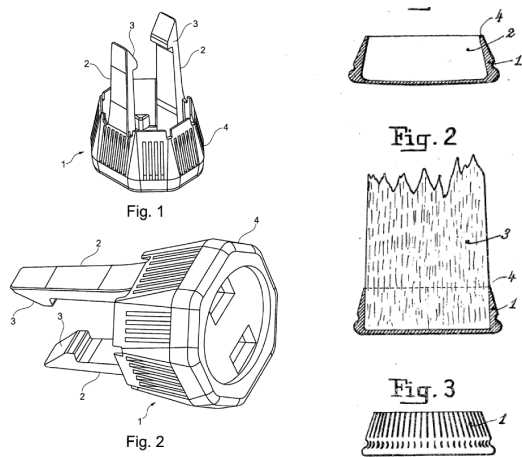
Handle-bar grips	<a href="#">B62K 21/26</a>
------------------	----------------------------

**A63B 60/16**

**Caps; Ferrules**

**Definition statement**

This place covers:

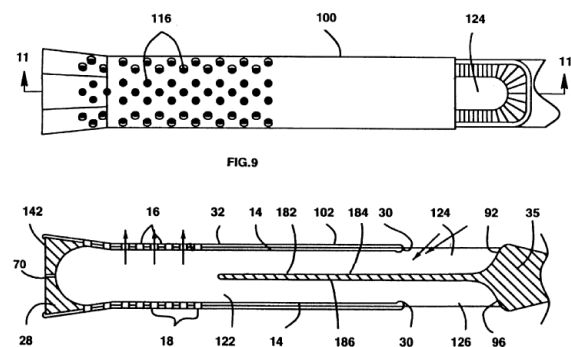


**A63B 60/18**

with means for cooling, ventilating or sweat-reduction, e.g. holes or powder dispensers

**Definition statement**

This place covers:





**References**

**Informative references**

Attention is drawn to the following places, which may be of interest for search:

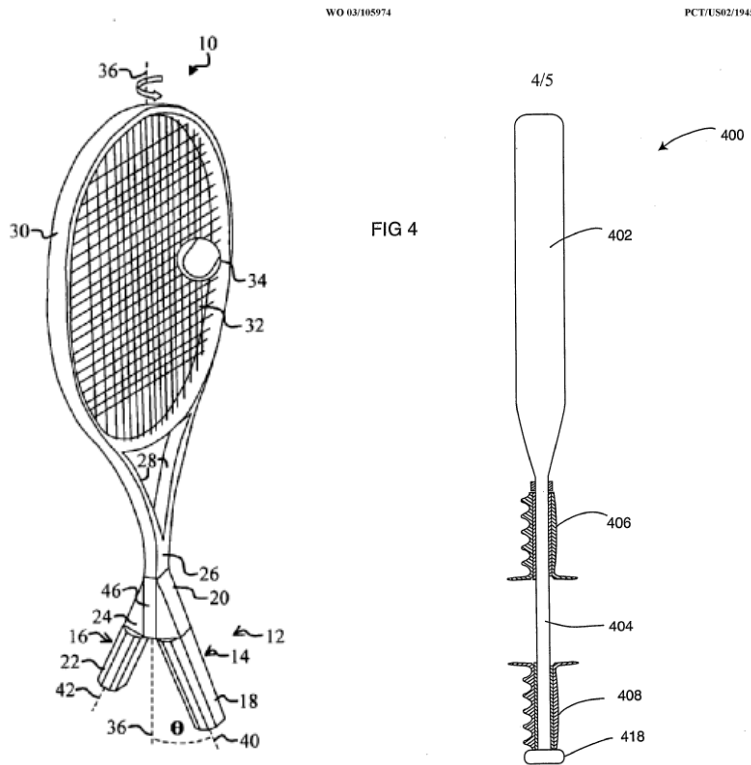
Handles or grips with holes or slits for cooling, ventilating, or sweat-reduction	<a href="#">A63B 60/18</a>
Bats with through holes	<a href="#">A63B 60/50</a>
Rackets with slits, i.e. elongate holes	<a href="#">A63B 60/52</a>

**A63B 60/20**

**with two handgrips**

**Definition statement**

This place covers:



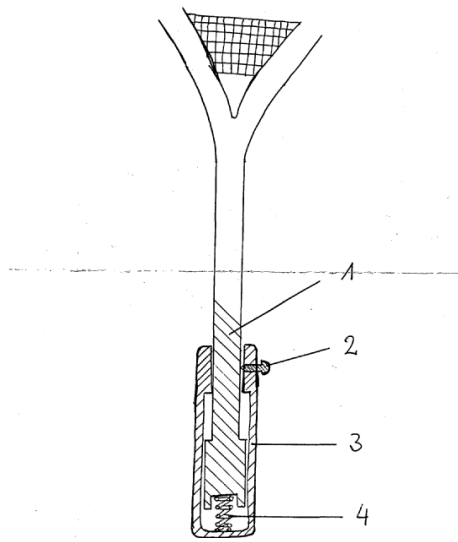
## A63B 60/28

with adjustable length

### Definition statement

*This place covers:*

Having handles with changeable length. See example of a handle with changeable length in the following figure.



### References

#### Informative references

Attention is drawn to the following places, which may be of interest for search:

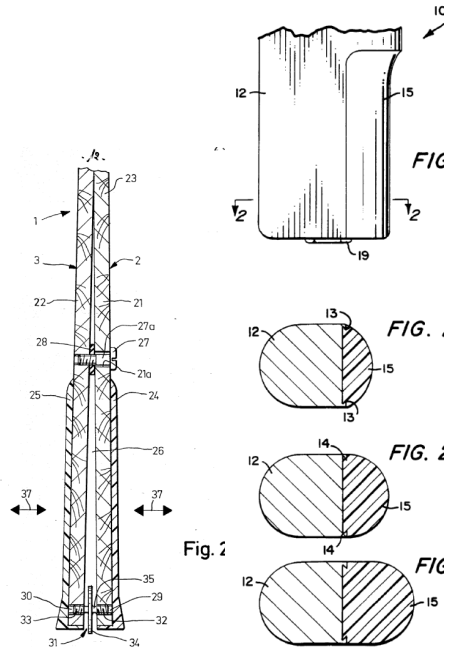
Telescopic shafts	<a href="#">A63B 60/0085</a>
Walking sticks of adjustable length	<a href="#">A45B 2009/007</a>
Telescopic ski-sticks e.g. for varying the length or damping shocks	<a href="#">A63C 11/221</a>

## A63B 60/30

with adjustable circumference

### Definition statement

This place covers:

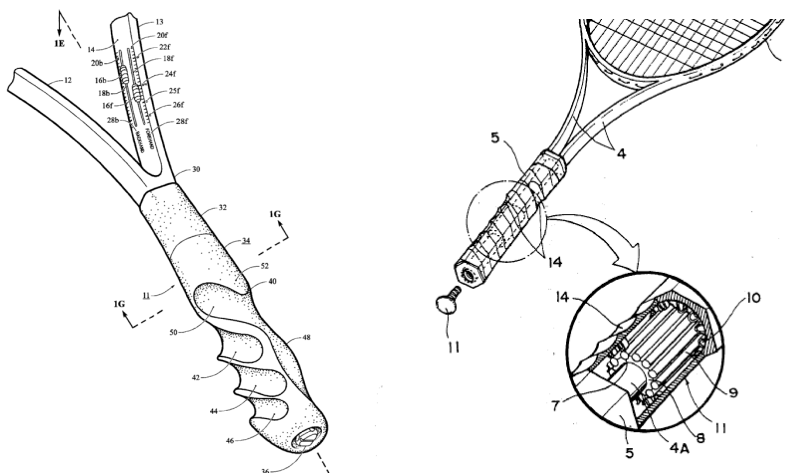


## A63B 60/32

with means for changing the angular position of the handle about its longitudinal axis

### Definition statement

This place covers:

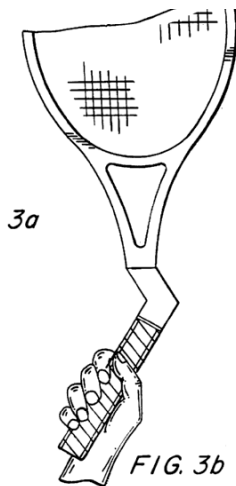


**A63B 60/34**

with the handle axis different from the main axis of the implement

**Definition statement**

*This place covers:*

**References****Limiting references**

*This place does not cover:*

The shaft axis of a golf club being forwardly offset relative to the striking face of the head	<a href="#">A63B 53/021</a>
Bats or rackets with holding means provided inside, on the edge or on the rear face of the striking surface	<a href="#">A63B 60/40</a>

**Informative references**

*Attention is drawn to the following places, which may be of interest for search:*

Throat sections with two legs having mutually different constructions	<a href="#">A63B 2049/0325</a>
---	--------------------------------

**A63B 60/36**

Devices for cleaning handles or grips

**References****Informative references**

*Attention is drawn to the following places, which may be of interest for search:*

Cleaning in general	<a href="#">B08B</a>
---------------------	----------------------

## A63B 60/40

having holding means provided inside, on the edge or on the rear face of the striking surface

### References

#### Limiting references

*This place does not cover:*

Bats or rackets having means, e.g. pockets, netting, or adhesive type surfaces, for catching or holding a ball	<a href="#">A63B 59/20</a>
Rackets or the like with flat striking surfaces for hitting a ball in the air, e.g. for table tennis	<a href="#">A63B 59/40</a>

## A63B 60/42

Devices for measuring, verifying, correcting or customising the inherent characteristics of golf clubs, bats, rackets or the like, e.g. measuring the maximum torque a batting shaft can withstand

### Definition statement

*This place covers:*

Measuring characteristics of implements; custom fitting bats, rackets or golf clubs

### References

#### Informative references

*Attention is drawn to the following places, which may be of interest for search:*

Clubs having a weight movable along the longitudinal axis of the club due to centrifugal forces	<a href="#">A63B 15/005</a>
Resonance frequency related characteristics	<a href="#">A63B 60/002</a>
Golf club selection aids informing player of his average or expected shot distance for each club	<a href="#">A63B 69/3605</a>
Testing, calibrating or measuring of equipment	<a href="#">A63B 2225/02</a>

### Special rules of classification

Bats or rackets for swinging exercises having a weight movable along the longitudinal axis of the club due to centrifugal forces should also be classified in [A63B 15/005](#)

Details relating to measuring of physical parameters relating to a sporting activity should also be classified in [A63B 2220/00](#).

Controlling or monitoring of exercises, sportive games, training or athletic performances should also be classified in [A63B 24/00](#).

## A63B 60/44

### Presses for stringed rackets

#### Definition statement

*This place covers:*

Devices for pressing racket frames in order to keep the frame flat. Some presses have ball holders, but this feature is not essential for a press.

#### References

##### Informative references

*Attention is drawn to the following places, which may be of interest for search:*

Ball holders in general	<a href="#">A63B 47/00</a>
-------------------------	----------------------------

## A63B 60/46

### Measurement devices associated with golf clubs, bats, rackets or the like for measuring physical parameters relating to sporting activity, e.g. baseball bats with impact indicators or bracelets for measuring the golf swing

#### References

##### Informative references

*Attention is drawn to the following places, which may be of interest for search:*

Resonance frequency related characteristics	<a href="#">A63B 60/002</a>
Golf club selection aids informing player of his average or expected shot distance for each club	<a href="#">A63B 69/3605</a>
Testing, calibrating or measuring of equipment	<a href="#">A63B 2225/02</a>
Measuring of sport goods in general	<a href="#">G01B 5/0023</a>

#### Special rules of classification

Bats or rackets for swinging exercises having a weight movable along the longitudinal axis of the club due to centrifugal forces should also be classified in [A63B 15/005](#).

Details relating to measuring of physical parameters relating to a sporting activity should also be classified in [A63B 2220/00](#).

Controlling or monitoring of exercises, sportive games, training or athletic performances should also be classified in [A63B 24/00](#).

## A63B 2060/464

### {Means for indicating or measuring the pressure on the grip}

#### References

##### Informative references

*Attention is drawn to the following places, which may be of interest for search:*

Measuring force related parameters	<a href="#">A63B 2220/50</a>
------------------------------------	------------------------------

Sensors arranged on the exercise apparatus or sports implement

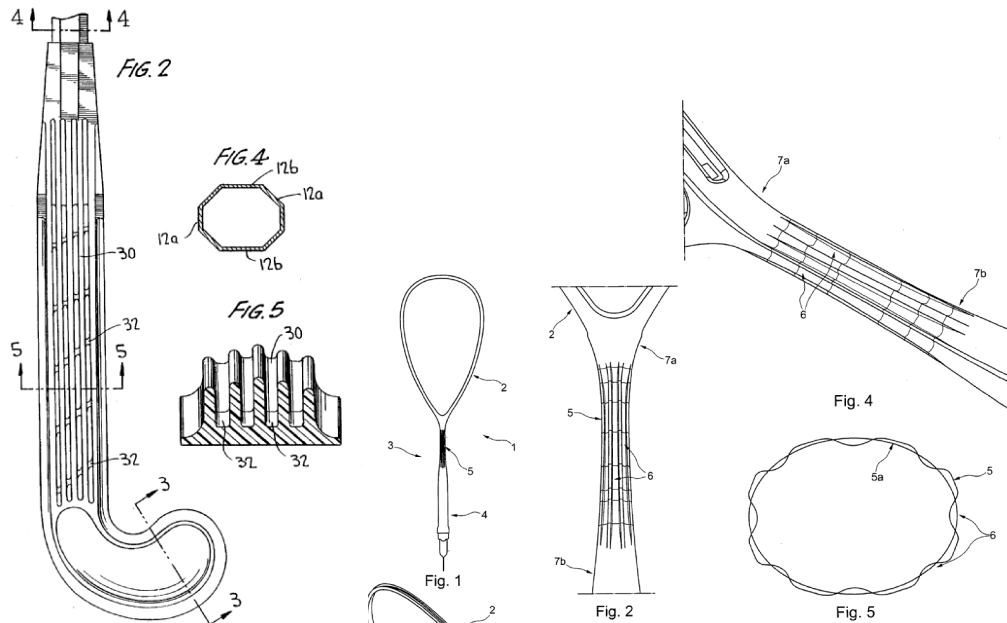
[A63B 2220/833](#)

## A63B 60/48

with corrugated cross-section

### Definition statement

*This place covers:*



### Special rules of classification

Handles or grips contoured to the anatomy of the user's hand are additionally classified in [A63B 60/12](#).

## A63B 60/50

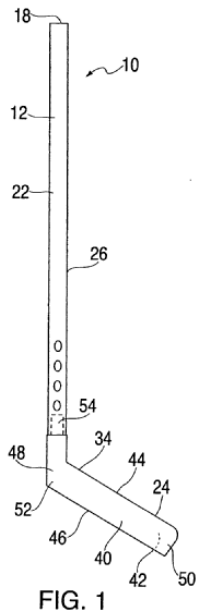
with through-holes ([A63B 60/18](#) takes precedence; for stringing purposes [A63B 49/00](#))

### Definition statement

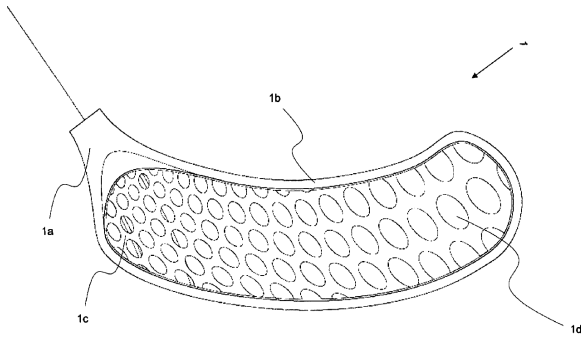
*This place covers:*

Used for non-elongated holes traversing the solid parts of the bat (can also be the blade, if solid). It is also used for important holes in the bat, even if they do not exactly traverse the bat completely (i.e. "through" has to be understood in a broad way).

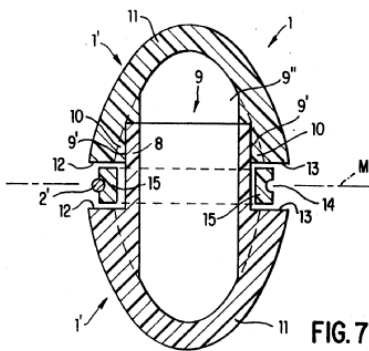
Only used for through holes which have not been subsequently filled-in with another material. However, it is used when only a lid or a cap has been placed on the through hole, subsequently covering it but not completely filling it in.



Example of through holes completely traversing the shaft.



Example of through holes completely traversing a solid blade.



Example of important holes (8, 10) in the frame, not exactly traversing it, but still of an special relevance. US patent 5,232,220.



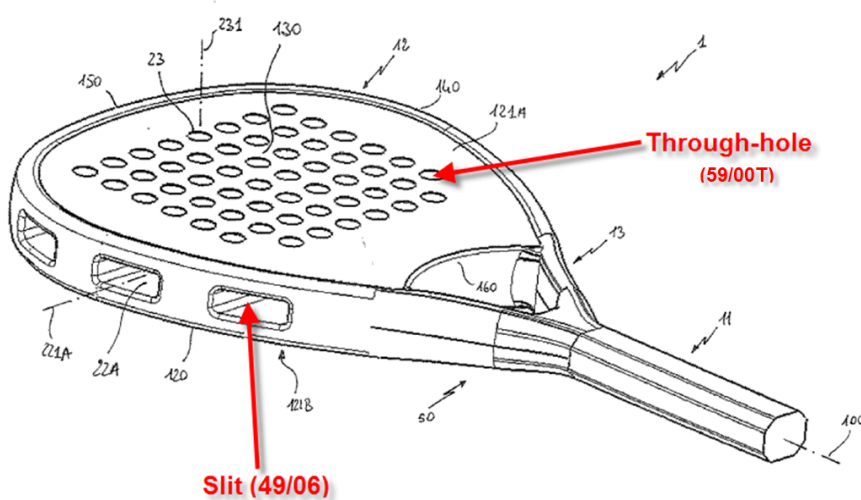
**References**

**Limiting references**

*This place does not cover:*

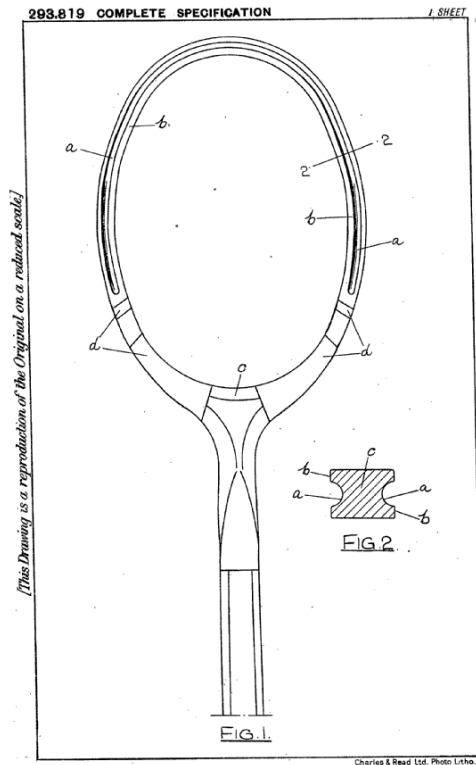
String guides on frames	<a href="#">A63B 49/022</a>
Tennis rackets comprising a wooden blade with perforations as a substitute for the strings	<a href="#">A63B 51/045</a>
Through holes that conform normal design features of a golf club head, such as the hole for the insertion of the shaft, enclosed cavities, through holes for inserting weights, etc.	<a href="#">A63B 53/00</a> and subgroups
Iron-type golf club heads with one or more enclosed cavities	<a href="#">A63B 53/0475</a>
Golf club heads with added weights inserted in through holes	<a href="#">A63B 2053/0491</a>
Through holes whose features, effects or function are to be classified according to the specific scheme for golf club heads	<a href="#">A63B 53/14</a> and subgroups
Handles or grips with grooves or holes for cooling, ventilating or sweat-reduction (including handles or grips for rackets)	<a href="#">A63B 60/18</a>
Bats with slits (i.e. long narrow cuts or openings which might traverse the frame or not)	<a href="#">A63B 60/52</a>

Example of through hole ([A63B 60/50](#)) vs. slit ([A63B 60/52](#)):

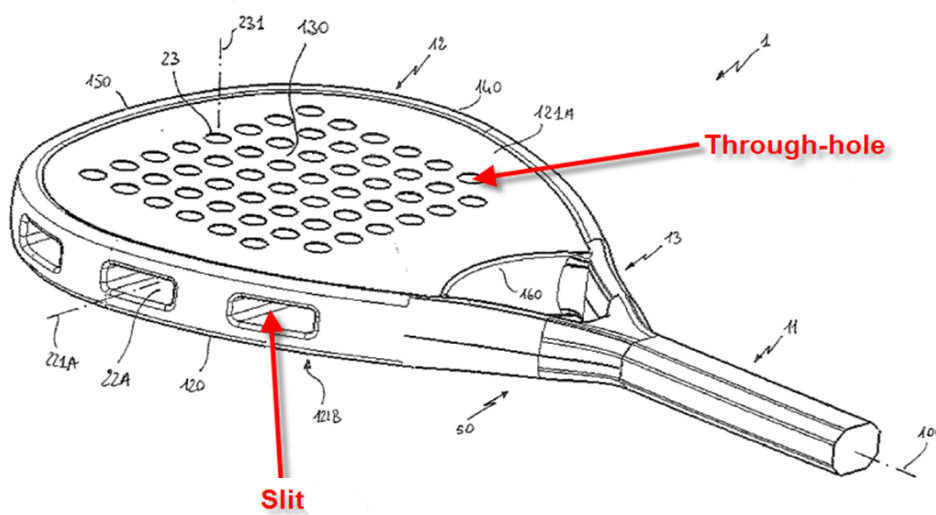




The following image is an example of a long narrow cut (i.e. non-traversing),



Example of through hole (A63B 60/50) vs. slit (A63B 60/52)



## References

### Informative references

Attention is drawn to the following places, which may be of interest for search:

Slits for guiding strings	<a href="#">A63B 49/022</a>
Rackets comprising a wooden blade with perforations as a substitute for the strings	<a href="#">A63B 51/045</a>

## Informative references

Slits whose features, effects or function are to be classified according to the specific scheme for golf club heads, or that conform normal design features of a golf club head, such as the grooves on impact surface	<a href="#">A63B 53/14</a>
Bat handles or grips with holes for cooling, ventilating or sweat-reduction	<a href="#">A63B 60/18</a>
Bats with corrugated cross sections (e.g. with a plurality of slits in the longitudinal direction)	<a href="#">A63B 60/48</a>
Bats with through holes (note: holes traversing the solid parts of the bat and which are not slits, i.e. non-elongated)	<a href="#">A63B 60/50</a>

**Special rules of classification**

Bat handles or grips with holes in the form of slits for cooling, ventilating or sweat-reduction are classified in [A63B 60/18](#)

**A63B 60/54****with means for damping vibrations****References****Limiting references**

*This place does not cover:*

Clubs for swinging exercises having a weight movable along the longitudinal axis of the club due to centrifugal forces	<a href="#">A63B 15/005</a>
Means for damping vibration in general	<a href="#">F16F</a>

**A63B 60/56****Devices for protection, storage or transport, e.g. stands or cases****References****Informative references**

*Attention is drawn to the following places, which may be of interest for search:*

Bags or stands for golf clubs	<a href="#">A63B 55/00</a> , <a href="#">A63B 55/10</a>
Covers or hoods for golfbags	<a href="#">A63B 55/404</a>
Devices for storing or displaying elongated objects such as fishing rods, guns etc.	<a href="#">A47B 81/005</a>

**A63B 60/58****pecially adapted for rackets****References****Informative references**

*Attention is drawn to the following places, which may be of interest for search:*

Ball holders in general	<a href="#">A63B 47/00</a>
Sport bags	<a href="#">A45C 2003/007</a>

**A63B 60/62**

specially adapted for clubs, e.g. head covers {, connector means therefor}

**References****Limiting references**

*This place does not cover:*

Covers or hoods for golf bags	<a href="#">A63B 55/404</a>
-------------------------------	-----------------------------

**A63B 61/00**

Tennis nets or accessories for tennis or like games {, e.g. volley-ball (devices for holding or carrying balls [A63B 47/00](#); for table tennis [A63B 67/04](#))}

**References****Limiting references**

*This place does not cover:*

Accessories for stowing or putting sports equipment away	<a href="#">A63B 71/0036</a> , <a href="#">A63B 60/56</a>
--	--

**Informative references**

*Attention is drawn to the following places, which may be of interest for search:*

Devices for holding or carrying balls	<a href="#">A63B 47/00</a> , <a href="#">A63B 57/20</a>
Accessories for table tennis	<a href="#">A63B 67/04</a>

**A63B 61/003**

{Nets for tennis or like games or accessories therefor (straining or adjusting devices on the posts [A63B 61/02](#))}

**References****Limiting references**

*This place does not cover:*

Straining or adjusting devices on the posts	<a href="#">A63B 61/02</a>
---	----------------------------

**Informative references**

*Attention is drawn to the following places, which may be of interest for search:*

Supports for table tennis nets	<a href="#">A63B 67/045</a>
Tennis	<a href="#">A63B 2102/02</a>
Badminton	<a href="#">A63B 2102/04</a>
Table tennis	<a href="#">A63B 2102/16</a>
Volleyball	<a href="#">A63B 2243/0095</a>

Warp knitting processes for the production of fabrics or articles not dependent on the use of particular machines; Fabrics or articles defined by such processes	<a href="#">D04B 21/00</a>
--	----------------------------

## A63B 61/006

{Accessories for training purposes mounted on the net}

### References

#### Limiting references

*This place does not cover:*

Other training appliances or apparatus for tennis	<a href="#">A63B 69/38</a>
---	----------------------------

## A63B 61/02

Posts; Revolvably-mounted posts {; Straining or adjusting devices on the posts, e.g. coin- or time operated}

### References

#### Limiting references

*This place does not cover:*

Supports, e.g. floor sockets for removable posts or poles	<a href="#">A63B 71/023</a>
---	-----------------------------

## A63B 61/04

Straining or adjusting devices for nets {, e.g. centre strainers, single-double adjusters, net height meters (straining or adjusting devices on the posts [A63B 61/02](#))}

### References

#### Limiting references

*This place does not cover:*

Straining or adjusting devices on the posts	<a href="#">A63B 61/02</a>
---	----------------------------

## A63B 63/00

Targets or goals for ball games (golf cups [A63B 57/40](#))

### References

#### Limiting references

*This place does not cover:*

Golf cups	<a href="#">A63B 57/40</a>
-----------	----------------------------

**Informative references**

Attention is drawn to the following places, which may be of interest for search:

Controlling or monitoring of exercises, sportive games, training or athletic performances	<a href="#">A63B 24/00</a>
Ball rebound walls	<a href="#">A63B 69/0097</a>
Indicating or scoring devices for games or players, or for other sports activities	<a href="#">A63B 71/06</a>
Targets for projectiles other than balls	<a href="#">A63F 9/0204</a>
Targets for games	<a href="#">A63F 9/0278</a>
Fixing nets to objects	<a href="#">F16G 11/00</a>
Targets for weapons	<a href="#">F41J</a>
Targets; Target stands; Target holders	<a href="#">F41J 1/00</a>
Dartboards	<a href="#">F41J 3/00</a>
Target indicating systems; Target-hit or score detecting systems	<a href="#">F41J 5/00</a>

**Glossary of terms**

In this place, the following terms or expressions are used with the meaning indicated:

Football (unless American football is specified)	Soccer (Association football)
--	-------------------------------

**A63B 63/08**

with {substantially} horizontal opening for ball, e.g. for basketball {([A63B 57/40](#), [A63B 63/06](#) take precedence)}

**References****Limiting references**

This place does not cover:

Golf cups	<a href="#">A63B 57/40</a>
Moving targets, e.g. moving or revolving on impact	<a href="#">A63B 63/06</a>

**A63B 65/00**

Implements for throwing (throwing toys [A63H 33/18](#) ); Mechanical projectors, e.g. using spring force}

**References****Limiting references**

This place does not cover:

Throwing toys	<a href="#">A63H 33/18</a>
---------------	----------------------------

**Informative references**

Attention is drawn to the following places, which may be of interest for search:

Golf cups with ball ejector means	<a href="#">A63B 57/405</a>
Stationarily-arranged devices for projecting balls	<a href="#">A63B 69/40</a>
Shooting or hurling games	<a href="#">A63F 9/02</a>
Throwing weapons	<a href="#">F41B</a>
Sling weapons	<a href="#">F41B 3/00</a>
Trap machines for trapshooting and clay-pigeon targets	<a href="#">F41J 9/18</a>
Darts	<a href="#">F42B 6/003</a>

**A63B 65/02**

**Spears or the like {; Javelins}**

**References****Informative references**

Attention is drawn to the following places, which may be of interest for search:

Darts	<a href="#">F42B 6/003</a>
Archery arrows	<a href="#">F42B 6/04</a>

**A63B 65/10**

**Discus discs; Quoits**

**References****Informative references**

Attention is drawn to the following places, which may be of interest for search:

Flying disc toys such as frisbees	<a href="#">A63H 33/18</a>
-----------------------------------	----------------------------

**A63B 65/12**

**Ball-throwing apparatus with or without catchers {(hand-held throwing or catching aids [A63B 59/20](#)); Mechanical projectors, e.g. using spring force}**

**References****Limiting references**

This place does not cover:

Sticks for lacrosse, pelota or similar; hand-held throwing or catching aids	<a href="#">A63B 59/20</a>
---	----------------------------

**Informative references**

Attention is drawn to the following places, which may be of interest for search:

Stationary devices for projecting balls or other bodies	<a href="#">A63B 69/40</a>
---	----------------------------



Toys for animals	<a href="#">A01K 15/025</a>
For propelling or projecting the balls in miniature bowling alleys	<a href="#">A63D 3/02</a>
Apparatus for projecting balls for indoor games	<a href="#">A63F 7/24</a>

## A63B 65/122

{Hand-held mechanical projectors, e.g. for balls}

### References

#### Informative references

Attention is drawn to the following places, which may be of interest for search:

Sticks for lacrosse, pelota or similar; hand-held throwing or catching aids	<a href="#">A63B 59/20</a>
Sling weapons	<a href="#">F41B 3/00</a>

## A63B 67/002

{Games using balls, not otherwise provided for}

### References

#### Informative references

Attention is drawn to the following places, which may be of interest for search:

Cooled	<a href="#">A63B 2225/66</a>
--------	------------------------------

### Special rules of classification

Amongst other games, Beer Pong games are classified here but also additionally classified in [A63F 7/0017](#) and [A63F 2250/024](#).

## A63B 2067/005

{Games similar to volleyball or basketball and played on trampolines or the like, e.g. "Spaceball" or "Aeroball"}

### Special rules of classification

Documents with trampolines are additionally classified in [A63B 5/11](#)

## A63B 67/007

{played in water}

### References

#### Informative references

Attention is drawn to the following places, which may be of interest for search:

Apparatus used in water	<a href="#">A63B 2225/60</a>
-------------------------	------------------------------

## A63B 67/02

Special golf games, e.g. miniature golf {or golf putting games played on putting tracks; putting practice apparatus having an elongated platform as a putting track}

### References

#### Informative references

Attention is drawn to the following places, which may be of interest for search:

Inclined platforms for practising drives from slopes	<a href="#">A63B 69/3652</a>
Mats for golf practice	<a href="#">A63B 69/3661</a>
Golf courses and golf practising terrains having a plurality of driving areas, fairways, greens.	<a href="#">A63B 69/3691</a>

## A63B 2067/025

{with incorporated means acting on the track surface for varying its topography, e.g. slope}

### References

#### Limiting references

This place does not cover:

Slopes or trails for skiing	<a href="#">A63C 19/10</a>
-----------------------------	----------------------------

## A63B 67/04

Table games physically beneficial for the human body, modelled on outdoor sports, e.g. table tennis (other table games [A63F](#))

### References

#### Informative references

Attention is drawn to the following places, which may be of interest for search:

Apparatus generating unpredictable signals for reaction time training	<a href="#">A63B 69/0053</a>
Tables for table tennis	<a href="#">A47B 25/003</a>
Other table games	<a href="#">A63F</a>

### Special rules of classification

Reference [A63F](#) is non-limiting in the [A63B 67/04](#). CPC will be updated once this inconsistency is resolved.

Table games modelled on outdoor sports with ball rebound surfaces other than the horizontal table surface, are to be classified here and also in [A63B 69/0097](#).

## A63B 67/045

{Supports for table tennis nets}

### References

#### Informative references

Attention is drawn to the following places, which may be of interest for search:

Nets for table tennis, i.e. not the support but only the net itself	<a href="#">A63B 61/003</a>
---	-----------------------------

## A63B 67/06

Ring or disc tossing games {, e.g. quoits; Throwing or tossing games, e.g. using balls; Games for manually rolling balls, e.g. marbles}

### References

#### Informative references

Attention is drawn to the following places, which may be of interest for search:

Adjusting apparatus; Stands for players for bowling alleys	<a href="#">A63D 1/06</a>
--	---------------------------

### Special rules of classification

This group also covers the game of "Disc golf".

Beer-pong games (also known as "Beirut") are usually classified as follows:

[A63B 67/06](#) – usually when on a table, [A63B 67/066](#) – usually when on the "ground", plus, additionally, [A63F 2250/024](#) and [A63F 7/0017](#).

Other typical symbols that might be used according to the circumstances might be:

- [A63B 63/08](#) (targets with {substantially} horizontal opening for ball)
- [A63B 2210/50](#) (size reducing arrangements for stowing or transport)
- [A63B 2071/0694](#) (visual indication)
- [A63B 2225/66](#) (cooled)
- [A63B 67/04](#) (table games) and/or [A63B 2102/16](#) (table-tennis)
- [F25D 31/008](#) {cooling apparatus for drinking glasses}
- [F25D 2331/809](#) (cooled holders)
- [F25D 2331/812](#) (cooled trays)

## A63B 67/08

Juggling or spinning ball games played as games of skill ([A63B 67/16](#) takes precedence)

### References

#### Limiting references

This place does not cover:

Diabolos or similar thrown and caught spinning tops; Throwing and catching devices therefor	<a href="#">A63B 67/16</a>
---	----------------------------

**Informative references**

Attention is drawn to the following places, which may be of interest for search:

Other games using tethered balls	<a href="#">A63B 67/10</a>
Games using a bat or racket with a ball tethered thereto	<a href="#">A63B 67/20</a>

**A63B 67/086**

{Juggling games using sticks or discs}

**References****Informative references**

Attention is drawn to the following places, which may be of interest for search:

Clubs, e.g. for swinging exercises	<a href="#">A63B 15/00</a>
------------------------------------	----------------------------

**Special rules of classification**

Juggling clubs are classified as follows: [A63B 15/00](#) (invention information) and [A63B 67/086](#) (additional information).

**A63B 67/10**

Games with thread-suspended or swingably-mounted bodies, e.g. balls, pointed bodies shaped as birds, animals, or the like, for aiming at and hitting targets (games using a bat with a ball tethered thereto [A63B 67/20](#), pin games with tethered balls [A63D 7/00](#) ); Games using tethered bodies, e.g. balls, not otherwise provided for}

**References****Limiting references**

This place does not cover:

Games using a bat or racket with a body, e.g. a ball tethered thereto	<a href="#">A63B 67/20</a>
Pin games with tethered balls	<a href="#">A63D 7/00</a>

**Informative references**

Attention is drawn to the following places, which may be of interest for search:

Bats tethered to a line or cord	<a href="#">A63B 69/0079</a>
Indoor games using small tethered balls	<a href="#">A63F 2007/4087</a>
Tethered playing balls or other tethered playing bodies supported on a tethering arm	<a href="#">A63F 2007/4093</a>

## A63B 67/14

### Curling stone; Shuffleboard; Similar sliding games

#### Special rules of classification

This group also covers ice hockey pucks, which are classified both in [A63B 67/14](#) and [A63B 69/0026](#).

## A63B 67/18

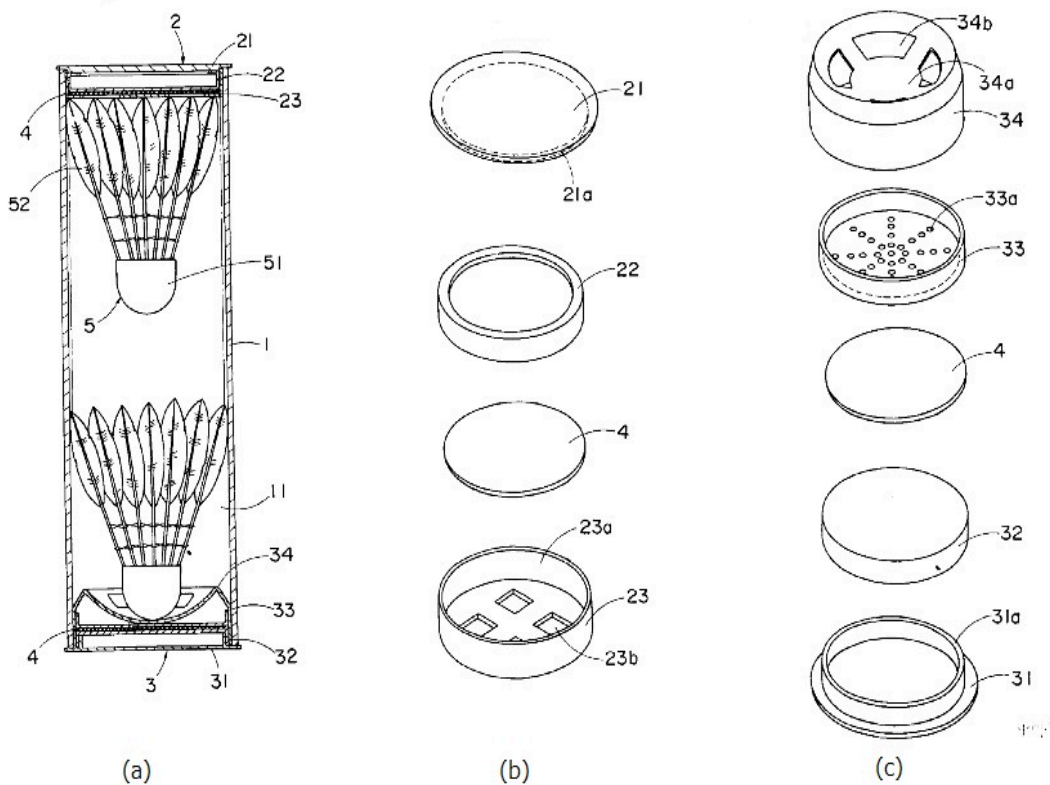
### Badminton or similar games with feathered missiles

#### Definition statement

*This place covers:*

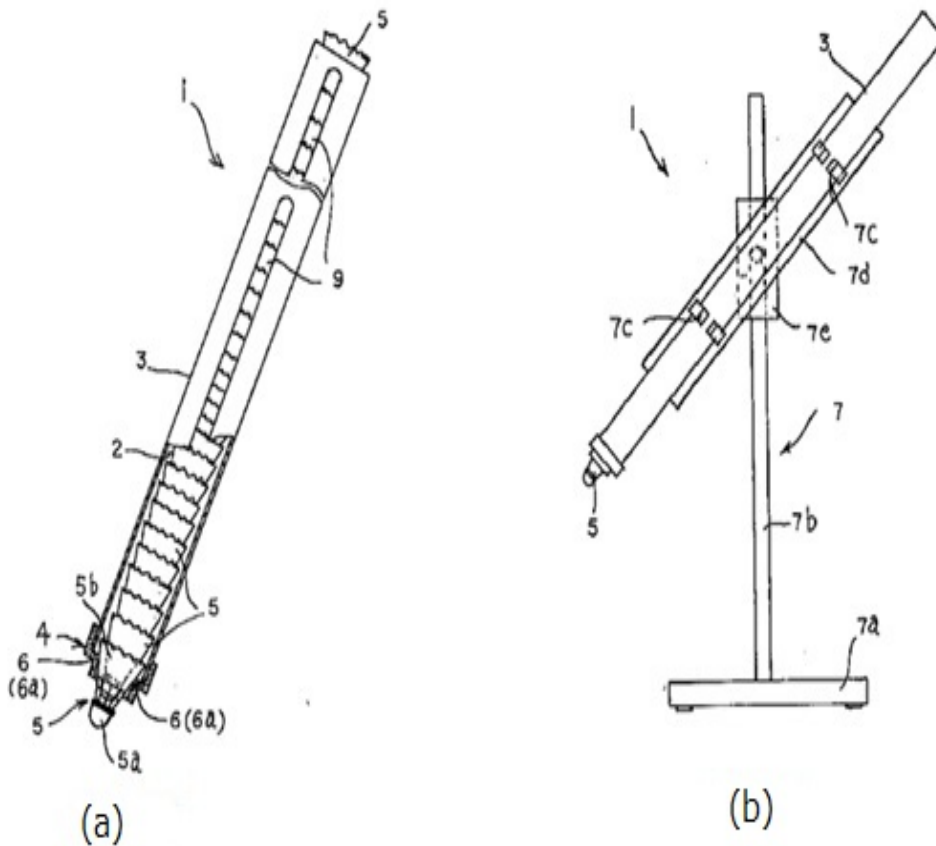
Apparatus or equipment specially adapted for badminton or similar games with feathered missiles. The games other than badminton include hanetsuki, which is a traditional Japanese game, shuttlecock, and battledore.

Example covered by this group but not covered by group [A63B 67/183](#): Portable cases for feathered missiles



Definition statement

Example covered by this group but not covered by group [A63B 67/183](#): Cartridges of which feathered missiles can be easily taken out.



**References**

**Informative references**

Attention is drawn to the following places, which may be of interest for search:

Devices for handling or treating balls	<a href="#">A63B 47/00</a>
Badminton	<a href="#">A63B 2102/04</a>
Darts	<a href="#">F42B 6/003</a>

**Special rules of classification**

Shuttlecocks for badminton are classified in [A63B 67/18](#) and [A63B 2102/04](#).

**A63B 67/197**

with special functions, e.g. light emission or sound generation

**References**

**Informative references**

Attention is drawn to the following places, which may be of interest for search:

Balls with special arrangements	<a href="#">A63B 43/00</a>
---------------------------------	----------------------------

## A63B 67/20

### Games using a bat {or racket} with a ball {or other body} tethered thereto

#### References

##### Informative references

Attention is drawn to the following places, which may be of interest for search:

Bats tethered to a line or cord	<a href="#">A63B 69/0079</a>
Pin games with tethered balls	<a href="#">A63D 7/00</a>
Tethered playing balls or other tethered playing bodies	<a href="#">A63F 2007/4087</a>
Tethered playing balls or other tethered playing bodies supported on a tethering arm	<a href="#">A63F 2007/4093</a>

## A63B 69/00

### Training appliances or apparatus for special sports (training of parachutists [B64D 23/00](#))

#### Definition statement

This place covers:

Mechanical aspects of training appliances or apparatus.

#### Relationships with other classification places

[A63B 69/00](#) and its subgroups deal with the mechanical features of training appliances or apparatus used when training for sports. Some groups and subgroups in subclass [A63B](#) are used for additional information and may cause confusion:

- [A63B 24/00](#), which relates to electric or electronic controls for apparatuses classified in other groups and subgroups of [A63B](#) (not [A63B 71/06](#)).
- [A63B 71/06](#), which relates to different kinds of indicating devices for sports for apparatuses classified in other groups and subgroups of [A63B](#).
- [A63B 2220/00](#), for measuring of physical parameters relating to sporting activity.
- When the invention disclosed in a document does not lie in a mechanical sports device or the electronic controlling thereof with a mechanical effect on the device, it should not be classified in [A63B](#) (at least not as "invention information").

#### References

##### Limiting references

This place does not cover:

Training of parachutists	<a href="#">B64D 23/00</a>
--------------------------	----------------------------

##### Informative references

Attention is drawn to the following places, which may be of interest for search:

Exercising apparatus for developing or strengthening the muscles or joints of the body by working against a counterforce	<a href="#">A63B 21/00</a>
Exercising apparatus specially adapted for particular parts of the body	<a href="#">A63B 23/00</a>
Measuring movement of entire body or parts thereof	<a href="#">A61B 5/11</a>

## Informative references

Measuring muscular strength for diagnostic purposes	<a href="#">A61B 5/22</a>
Apparatus for passive exercising or massage	<a href="#">A61H</a>
Video games	<a href="#">A63F 13/00</a>
Exercising for producing mechanical power	<a href="#">F03G 5/00</a>
Archers' finger tabs	<a href="#">F41B 5/1473</a>
Measuring of sport goods in general	<a href="#">G01B 5/0023</a>
Measure arrangements characterised by the use of optical means	<a href="#">G01B 11/00</a>
Systems for determining distance or velocity using ultrasonic, sonic, or infrasonic waves	<a href="#">G01S 11/14</a>
Systems using reflection of acoustic waves	<a href="#">G01S 15/00</a>
Systems using reflection of electromagnetic waves, velocity or trajectory	<a href="#">G01S 17/58</a>
GPS – receivers – sporting applications	<a href="#">G01S 19/19</a>
Controlling member being movable by hand, e.g. joystick	<a href="#">G05G 9/047</a>
Input interaction (Gesture, VR, GUI)	<a href="#">G06F 3/01</a>
Data acquisition and logging	<a href="#">G06F 17/40</a>
Performance analysis	<a href="#">G06Q 10/0639</a>
Analysis of motion	<a href="#">G06T 7/20</a>
Recognition of whole body movements, e.g. for sport training	<a href="#">G06V 40/23</a>
Race time recorders	<a href="#">G07C 1/24</a>
Simulators for teaching or training	<a href="#">G09B 9/00</a>
Devices for exercising or strengthening of fingers or arms in teaching music	<a href="#">G09B 15/06</a>
Teaching repetitive work cycles; Sequence of movements; sport	<a href="#">G09B 19/0038</a>
Rhythm (Matching music to exercise)	<a href="#">G10H 1/40</a>
Synchronising audio tracks of files	<a href="#">G10H 2240/325</a>
ICT specially adapted for therapies or health-improving plans relating to physical therapies or activities, e.g. physiotherapy, acupuncture or exercising	<a href="#">G16H 20/30</a>

### Special rules of classification

The control aspect should be classified in [A63B 24/00](#)

The interface features (indicating or scoring devices) should be classified in [A63B 71/06](#)

The sensors should be classified in [A63B 2220/00](#) or [A63B 2230/00](#)

The position of the user should be classified in [A63B 2208/00](#)

The specific sport should be classified in [A63B 2243/00](#) or [A63B 2244/00](#), unless covered by the title of the group.



**A63B 69/0002****{for baseball}****Definition statement***This place covers:*

Baseball, e.g. softball or rounders.

**Special rules of classification**

Depending on whether it is used for baseball, softball or rounders, this subgroup always needs to be complemented by, respectively, the following codes.

Baseball, softball or rounders	<a href="#">A63B 2102/18</a>
--------------------------------	------------------------------

**A63B 69/0013****{Baseball bases}****Definition statement***This place covers:*

Baseball mounds also.

**References****Informative references***Attention is drawn to the following places, which may be of interest for search:*

Apparatus for setting-out or dividing courts, in general	<a href="#">A63C 19/06</a>
--	----------------------------

**A63B 69/002****{for football (American-football dummies [A63B 69/34](#))}****Definition statement***This place covers:*

Training appliances or apparatus for:

- Association football (more commonly known as football or soccer); or
- American football.

**References****Limiting references***This place does not cover:*

American-football dummies	<a href="#">A63B 69/34</a>
---------------------------	----------------------------

**Special rules of classification**

Depending on whether it is used for Association or American football, this subgroup always needs to be complemented by, respectively with the following codes:

Association football (soccer)	<a href="#">A63B 2243/0025</a>
American football	<a href="#">A63B 2243/007</a>

**A63B 69/0022**

{for skating}

**References****Informative references**

Attention is drawn to the following places, which may be of interest for search:

Skates with multiple blades	<a href="#">A63C 1/36</a>
Ice-skating or roller-skating rinks	<a href="#">A63C 19/10</a>

**A63B 69/0026**

{for ice-hockey}

**Special rules of classification**

Ice hockey pucks are classified in both [A63B 67/14](#) and [A63B 69/0026](#).

**A63B 69/0028**

{for running, jogging or speed-walking (movable endless bands [A63B 22/02](#))}

**References****Limiting references**

This place does not cover:

Movable endless bands	<a href="#">A63B 22/02</a>
-----------------------	----------------------------

**Informative references**

Attention is drawn to the following places, which may be of interest for search:

The person using trunk supports resisting forward motion of user	<a href="#">A63B 2208/0261</a>
--	--------------------------------

**A63B 69/0048****{for mountaineering, e.g. climbing-walls, grip elements for climbing-walls}****References****Informative references***Attention is drawn to the following places, which may be of interest for search:*

Climbing poles, frames, or stages	<a href="#">A63B 9/00</a>
-----------------------------------	---------------------------

**A63B 69/0053****{Apparatus generating random stimulus signals for reaction-time training involving a substantial physical effort}****References****Informative references***Attention is drawn to the following places, which may be of interest for search:*

Devices for projecting balls	<a href="#">A63B 69/40</a>
Devices for testing reaction times	<a href="#">A61B 5/162</a>
Reaction-time games	<a href="#">A63F 9/0096</a>

**A63B 69/0057****{Means for physically limiting movements of body parts ([A63B 23/0211](#) takes precedence)}****Definition statement***This place covers:*

Restraining devices that are not worn on the body but are (externally) attached on the body from the outside. When the user moves away from the training spot, he/she will keep on him/her what is worn ([A63B 69/0059](#)) but what was attached on him/her ([A63B 69/0057](#)) will stay behind on the training spot.

**References****Limiting references***This place does not cover:*

Moving torso with immobilized lower limbs	<a href="#">A63B 23/0211</a>
---	------------------------------

**Informative references***Attention is drawn to the following places, which may be of interest for search:*

Supports for anchoring force-resisters	<a href="#">A63B 21/16</a>
Supports for anchoring force-resisters mounted on or against a wall	<a href="#">A63B 21/169</a>
Attachment of exercising apparatus to the body of the user	<a href="#">A63B 21/4001</a>
Means for physically limiting movements of body parts worn by the user	<a href="#">A63B 69/0059</a>

Attachments on the body for golf, e.g. for measuring, aligning, restraining	<a href="#">A63B 69/3608</a>
Movement of a golf club is limited with the purpose of guiding the swing	<a href="#">A63B 69/3621</a>
Tactile feedback	<a href="#">A63B 2071/0655</a>

## A63B 69/0059

{worn by the user}

### Definition statement

*This place covers:*

Also, limiting movement between grip and body parts (apart from the hand).

### Relationships with other classification places

When [A63B 69/0059](#) is appropriate and the invention concerns a golf device, [A63B 69/36](#) or any other appropriate subgroup referring to golf has to be allocated too.

### References

#### Informative references

*Attention is drawn to the following places, which may be of interest for search:*

Attachments of exercise devices to the body without movement restriction	<a href="#">A63B 21/4001</a>
Attachments between the hand/hands and the golf club, either by directly attaching one or more hands to the club, or by attaching the hands to one another around the golf club (e.g. via a band or a sticking surface fixing the grip to the hand/glove of the user, or even indirectly blocking the relative movement between the hands and the grip)	<a href="#">A63B 69/3608</a>
Tactile feedback	<a href="#">A63B 2071/0655</a>

## A63B 69/0064

{Attachments on the trainee preventing falling}

### References

#### Informative references

*Attention is drawn to the following places, which may be of interest for search:*

Suspension devices for supporting the body in an upright walking or standing position, e.g. harnesses	<a href="#">A61H 3/008</a>
---	----------------------------

## A63B 69/0066

{for wind-surfing}

### References

#### Limiting references

*This place does not cover:*

Sailing simulators (for teaching or training purposes)	<a href="#">G09B 9/066</a>
--	----------------------------

**A63B 69/0075**

{Means for releasably holding a ball in position prior to kicking, striking or the like (golf tees [A63B 57/10](#))}

**References****Limiting references**

*This place does not cover:*

Golf tees	<a href="#">A63B 57/10</a>
-----------	----------------------------

**A63B 2069/0077**

{Suspending a ball on an upright stream of air or water}

**References****Limiting references**

*This place does not cover:*

Stationarily-arranged devices with pneumatic propelling means for projecting balls	<a href="#">A63B 69/409</a>
Indoor games with playing bodies projected by compressed air	<a href="#">A63F 7/066</a>
Water toys, floating toys or like buoyant toys	<a href="#">A63H 23/10</a>

**A63B 69/0079**

{Balls tethered to a line or cord ([A63B 43/007](#) takes precedence; other games using tethered balls [A63B 67/10](#); games using a bat or racket with a ball tethered thereto [A63B 67/20](#))}

**References****Limiting references**

*This place does not cover:*

Arrangements on balls for connecting lines or cords	<a href="#">A63B 43/007</a>
Other games using tethered balls	<a href="#">A63B 67/10</a>
Games using a bat or racket with a ball tethered thereto	<a href="#">A63B 67/20</a>

**Informative references**

*Attention is drawn to the following places, which may be of interest for search:*

Tethered playing balls or other tethered playing bodies	<a href="#">A63F 2007/4087</a>
Tethered playing balls or other tethered playing bodies supported on a tethering arm	<a href="#">A63F 2007/4093</a>

**Special rules of classification**

Hollow rigid balls are classified in [A63B 37/0098](#)

Arrangements on balls for connecting lines or cords [A63B 43/007](#) takes precedence.

## A63B 69/0086

{the line or cord being attached to the user ([A63B 21/0608](#) takes precedence; punching balls attached to the user [A63B 69/26](#))}

### References

#### Limiting references

*This place does not cover:*

Eccentric weights put into orbital motion by nutating movement of the user	<a href="#">A63B 21/0608</a>
Punching balls attached to the user	<a href="#">A63B 69/26</a>

## A63B 69/0093

{for surfing, i.e. without a sail; for skate or snow boarding}

### References

#### Informative references

*Attention is drawn to the following places, which may be of interest for search:*

Equipment or arrangements for generating waves, particularly adapted for surfing, waterskiing, or the like	<a href="#">B63B 34/70</a>
Devices for producing waves in swimming pools	<a href="#">E04H 4/0006</a>

## A63B 69/0097

{Ball rebound walls (with holes or in combination with nets [A63B 63/00](#))}

### References

#### Limiting references

*This place does not cover:*

Targets or goals for ball games (walls with holes or in combination with nets)	<a href="#">A63B 63/00</a>
--	----------------------------

#### Informative references

*Attention is drawn to the following places, which may be of interest for search:*

Controlling or monitoring of exercises, sportive games, training or athletic performances	<a href="#">A63B 24/00</a>
Backstops, cages, enclosures or the like, e.g. for spectator protection, for arresting balls	<a href="#">A63B 71/022</a>
Indicating or scoring devices for games or players, or for other sports activities	<a href="#">A63B 71/06</a>
Targets for projectiles other than balls	<a href="#">A63F 9/0204</a>
Target indicating systems; Target-hit or score detecting systems	<a href="#">F41J 5/00</a>

**A63B 69/02**

for fencing {, e.g. means for indicating hits}

**References****Informative references**

Attention is drawn to the following places, which may be of interest for search:

Fencing foils, sabres or epees	<a href="#">F41B 13/02</a>
--------------------------------	----------------------------

**Special rules of classification**

Fencing masks are classified in [A63B 69/02](#) and also in [A63B 2071/105](#) and [A63B 71/10](#).

**A63B 69/04**

simulating the movement of horses (toy animals for riding [A63G 19/00](#))

**References****Limiting references**

This place does not cover:

Toy animals for riding	<a href="#">A63G 19/00</a>
------------------------	----------------------------

**A63B 69/06**

for rowing or sculling

**Definition statement**

This place covers:

Training for real rowing or sculling movement, not necessarily on a real boat.

Canoeing and kayaking also.

**Relationships with other classification places**

Canoes, kayaks or the like [B63B 34/20](#).

**References****Informative references**

Attention is drawn to the following places, which may be of interest for search:

Rowing machines for fitness	<a href="#">A63B 22/0076</a>
-----------------------------	------------------------------

**A63B 69/08**

with water-filled pools

**Special rules of classification**

This group includes any rowing training which takes place in a real boat.

**A63B 69/12****Arrangements in swimming pools for teaching swimming {or for training}****Definition statement**

*This place covers:*

Any kind of mechanical training equipment for swimming which is used when the user is actually swimming surrounded by water or any other liquid.

**References****Informative references**

*Attention is drawn to the following places, which may be of interest for search:*

Swimming aids	<a href="#">A63B 31/00</a>
Floating seats	<a href="#">A47C 15/006</a>
Fluid mattresses, e.g. pneumatic mattresses, Liquid mattresses or mattresses with fluid-like particles	<a href="#">A47C 27/08</a>
Body floating supports for relaxation	<a href="#">A61H 37/005</a>
Toy boats; Floating toys; Other aquatic toy devices	<a href="#">A63H 23/00</a>
Vessels or like floating structures for pleasure or sport	<a href="#">B63B 34/00</a>
Rafts, i.e. free floating waterborne vessels, of shallow draft, with little or no freeboard, and having a platform or floor for supporting a user	<a href="#">B63B 35/58</a>
Life-buoys, life-belts	<a href="#">B63C 9/08</a>

**A63B 69/125****{Devices for generating a current of water in swimming pools}****References****Informative references**

*Attention is drawn to the following places, which may be of interest for search:*

Wave-producers or the like in baths	<a href="#">A47K 3/10</a>
Therapeutic baths with agitated or circulated water	<a href="#">A61H 33/0087</a>
Equipment or arrangements for generating waves, particularly adapted for surfing, waterskiing, or the like	<a href="#">B63B 34/70</a>
Producing waves in swimming pools	<a href="#">E04H 4/0006</a>

**A63B 69/14****Teaching frames for swimming {; Swimming boards}****References****Informative references**

*Attention is drawn to the following places, which may be of interest for search:*

Swimming aids	<a href="#">A63B 31/00</a>
---------------	----------------------------



## Informative references

Floating seats	<a href="#">A47C 15/006</a>
Fluid mattresses, e.g. pneumatic mattresses, Liquid mattresses or mattresses with fluid-like particles	<a href="#">A47C 27/08</a>
Body floating supports for relaxation	<a href="#">A61H 37/005</a>
Toy boats; Floating toys; Other aquatic toy devices	<a href="#">A63H 23/00</a>
Body-boards, i.e. surfboards specially adapted for use by users in prone position; Planing members attachable to, or held by body-surfers	<a href="#">B63B 32/20</a>
Other vessels or like floating structures for pleasure or sport	<a href="#">B63B 34/00</a>
Rafts, i.e. free floating waterborne vessels, of shallow draft, with little or no freeboard, and having a platform or floor for supporting a user	<a href="#">B63B 35/58</a>
Life-buoys, life-belts	<a href="#">B63C 9/08</a>

**A63B 69/16**

for cycling {, i.e. arrangements on or for real bicycles}

**References****Informative references**

Attention is drawn to the following places, which may be of interest for search:

Mechanical means for variation of the resistance	<a href="#">A63B 21/00058</a>
Frictional force-resisters with surfaces rolling against each other without substantial slip	<a href="#">A63B 21/0125</a>
Stationary bicycles, ergometers	<a href="#">A63B 22/0605</a>
Means providing for a stabilised ride	<a href="#">B62H 1/10</a>

**Special rules of classification**

To be complemented with the relevant subgroups of [A63B 21/00](#), [A63B 22/00](#), [A63B 23/00](#). This group is also used for wheelchair training on rollers - such documents are additionally coded with [A63B 2071/0018](#)..

**A63B 69/18**

for skiing

**References****Limiting references**

This place does not cover:

Devices enabling skis to be used whilst held in a particular configuration with respect to each other, e.g. for training purposes	<a href="#">A63C 5/16</a>
Accessories for skiing or snowboarding (fittings on vehicles for carrying skis)	<a href="#">A63C 11/00</a>
Slalom gate poles, posts or marking sticks for sport field	<a href="#">A63C 19/00</a>

**A63B 69/182**

{for cross-country-skiing ([A63B 23/0417](#), [A63B 69/0022](#) take precedence)}

**References****Limiting references**

*This place does not cover:*

Exercising apparatus for the legs with guided foot supports moving parallel to the body-symmetrical-plane by translation	<a href="#">A63B 23/0417</a>
Training devices for skating	<a href="#">A63B 69/0022</a>

**A63B 69/187**

{for water-skiing}

**References****Limiting references**

*This place does not cover:*

Waterskis	<a href="#">B63B 32/30</a>
Accessories, e.g. sticks for water skiing	<a href="#">B63B 32/30</a>

**A63B 69/20**

**Punching balls {, e.g. for boxing; Other devices for striking used during training of combat sports, e.g. bags}**

**Definition statement**

*This place covers:*

Training devices subjected to strikes or blows by a person training in a combat sport including: punching bags, punching balls, pads held or attached to the human body, and striking dummies.

**References****Informative references**

*Attention is drawn to the following places, which may be of interest for search:*

Golf tees	<a href="#">A63B 57/10</a>
Means for releasably holding a ball in position; Balls constrained to move around a fixed point, e.g. by tethering	<a href="#">A63B 69/0073</a>
Dummies, e.g. for boxing or American football	<a href="#">A63B 69/34</a>

**Glossary of terms**

*In this place, the following terms or expressions are used with the meaning indicated:*

Punching ball	Devices which move and return fast due to their low inertia when subject to strikes or blows; mainly designed to be hit at resonant frequency
---------------	---

## Synonyms and Keywords

In patent documents, the following words/expressions are often used as synonyms:

- Punching ball
- Speed bag

## A63B 69/215

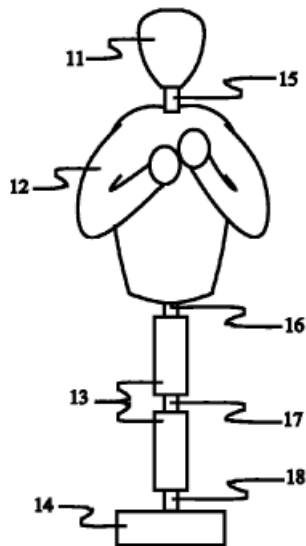
{Anthropomorphic devices}

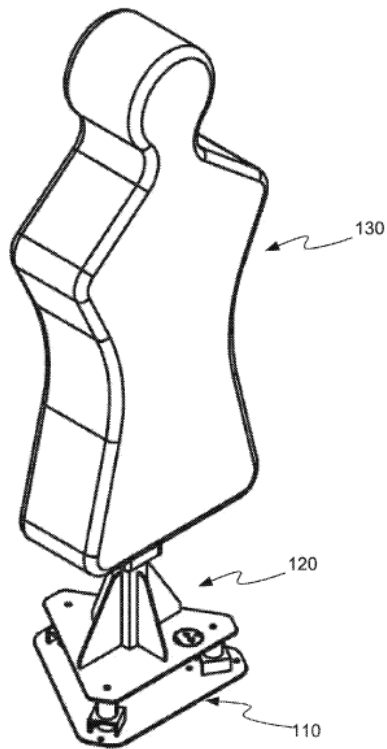
### Definition statement

*This place covers:*

Striking devices having an anthropomorphic shape or resemblance.

Illustrative example of subject matter classified in this group:





## A63B 69/22

mounted on, or suspended from, a fixed support

### Definition statement

*This place covers:*

Punching balls, punching bags or other striking devices mounted on or suspended from a stationary support during the striking activity. The support may be adjusted or repositioned when not in use and the training device, e.g. the ball or bag, may move when struck, but the overall structure remains in place during the exercise.

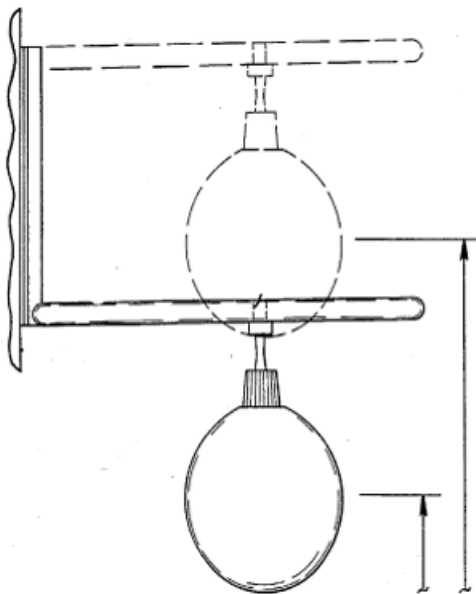
Illustrative example of subject matter classified in this group:

A punching ball mounted on a fixed support. The height of the ball is adjustable but remains set once the punching exercise begins.



Illustrative example of subject matter classified in this group:

A punching ball suspended from a fixed support. The height of the ball is adjustable but remains set once the punching exercise begins.



## A63B 69/24

mounted on, or suspended from, a movable support

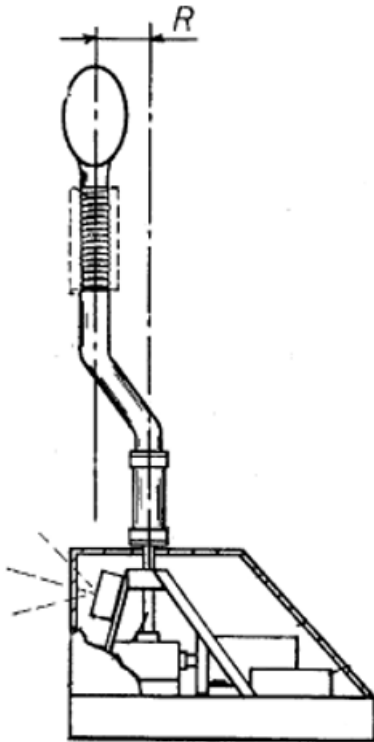
### Definition statement

*This place covers:*

Punching balls, punching bags or other striking devices mounted on or suspended from a support set in motion during the striking activity. The motion of the training device should be an added feature to enhance the training experience, with said motion imparted independent from the striking activity.

Illustrative example of subject matter classified in this group:

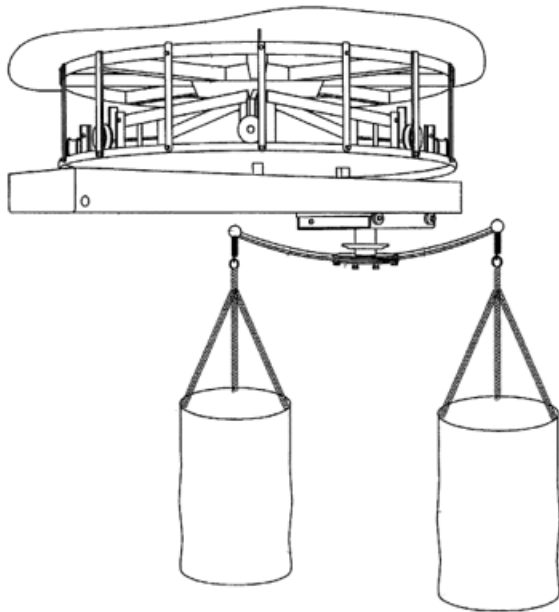
A punching target mounted on a movable support. The target is set in motion by a motor and drive shaft during the punching exercise, and a sensor detects movement by the user to alter the motion of the target.



Illustrative example of subject matter classified in this group:

Punching bags mounted on a movable support. The carousel and track system supporting the punching bags are set in motion with a motor and produce unpredictable movements. Alternatively,

the carousel and track system are designed to produce unpredictable movements without a motor in response to the punching force from the user.



## A63B 69/26

attached to the human body

### References

#### *Informative references*

Attention is drawn to the following places, which may be of interest for search:

Other tethered balls being attached to the user	<a href="#">A63B 69/0086</a>
---	------------------------------

## A63B 69/32

with indicating devices

### References

#### *Informative references*

Attention is drawn to the following places, which may be of interest for search:

Counting, e.g. counting periodical movements, revolutions or cycles, or including further data processing to determine distances or speed	<a href="#">A63B 2220/17</a>
Force of an impact, e.g. blow or punch	<a href="#">A63B 2220/53</a>
Sensors arranged on the exercise apparatus or sports implement	<a href="#">A63B 2220/833</a>

## A63B 69/333

{Fake or disarmed practise weapons, i.e. for mimicking combat situations in martial arts training}

### References

#### Informative references

Attention is drawn to the following places, which may be of interest for search:

Toy swords or similar toy weapons; Toy shields	<a href="#">A63H 33/009</a>
--	-----------------------------

## A63B 69/34

{Tackling, blocking or grappling dummies, e.g.} boxing or {wrestling or American-} football dummies

### Definition statement

*This place covers:*

Tackling, blocking or grappling dummies.

### References

#### Informative references

Attention is drawn to the following places, which may be of interest for search:

Hanging heavy punching bags	<a href="#">A63B 69/305</a>
Manipulators	<a href="#">B25J</a>

### Special rules of classification

This subgroup should always be complemented with the appropriate code in [A63B 2102/00](#), [A63B 2243/00](#) or [A63B 2244/00](#) relating to the specific sport or sports for which the dummy is used.

Boxing dummies used for punching or striking training are classified in [A63B 69/20](#) and subgroups, e.g. [A63B 69/215](#).

## A63B 69/36

for golf

### Definition statement

*This place covers:*

Mechanical aspects of training appliances or apparatus used when training golf, i.e. mechanical equipment which is not normally used during the game of golf.

### Relationships with other classification places

[A63B 69/36](#) and its subgroups deal with the mechanical features of training appliances or apparatus used when training golf. Some groups and subgroups in subclass [A63B](#) are used for additional information and may cause confusion:

- [A63B 24/00](#), which relates to electric or electronic controls for apparatuses classified in other groups and subgroups of [A63B](#) (not [A63B 71/06](#)).



## Relationships with other classification places

- [A63B 71/06](#), which relates to different kinds of indicating devices for sports for apparatuses classified in other groups and subgroups of [A63B](#).
- [A63B 2220/00](#), for measuring of physical parameters relating to sporting activity.

When the invention disclosed in a document does not lie in a mechanical sports device or the electronic controlling thereof with a mechanical effect on the device, it should not be classified in [A63B](#) (at least not as "invention information").

## References

### Informative references

Attention is drawn to the following places, which may be of interest for search:

Golf clubs	<a href="#">A63B 53/00</a>
Bags and stands	<a href="#">A63B 55/00</a>
Golf game accessories	<a href="#">A63B 57/00</a>
Scoring devices	<a href="#">A63B 71/06</a>
Measuring movement of entire body or parts thereof	<a href="#">A61B 5/11</a>
Video games	<a href="#">A63F 13/00</a>
Measuring of sport goods in general	<a href="#">G01B 5/0023</a>
Measure arrangements characterised by the use of optical means	<a href="#">G01B 11/00</a>
Systems for determining distance or velocity using ultrasonic, sonic, or infrasonic waves	<a href="#">G01S 11/14</a>
Systems using reflection of acoustic waves	<a href="#">G01S 15/00</a>
Systems using reflection of electromagnetic waves, velocity or trajectory	<a href="#">G01S 17/58</a>
GPS – receivers – sporting applications	<a href="#">G01S 19/19</a>
Input interaction (Gesture, VR, GUI)	<a href="#">G06F 3/01</a>
Data acquisition and logging	<a href="#">G06F 17/40</a>
Performance analysis	<a href="#">G06Q 10/0639</a>
Analysis of motion	<a href="#">G06T 7/20</a>
Recognition of whole body movements, e.g. for sport training	<a href="#">G06V 40/23</a>
Simulators for teaching or training	<a href="#">G09B 9/00</a>
Teaching repetitive work cycles; Sequence of movements; sport	<a href="#">G09B 19/0038</a>
ICT specially adapted for therapies or health-improving plans relating to physical therapies or activities, e.g. physiotherapy, acupressure or exercising	<a href="#">G16H 20/30</a>

### Special rules of classification

Control must be classified in [A63B 24/00](#).

The interface features must be classified in [A63B 71/06](#).

The sensors must be classified in [A63B 2220/00](#) or [A63B 2230/00](#).

The position of the user must be classified in [A63B 2208/00](#).

**A63B 69/3605**

{Golf club selection aids informing player of his average or expected shot distance for each club}

**References****Informative references**

Attention is drawn to the following places, which may be of interest for search:

Devices for measuring, verifying, correcting or customizing characteristics of golf-clubs, bats, rackets or the like	<a href="#">A63B 60/42</a>
--	----------------------------

**A63B 69/3608**

{Attachments on the body, e.g. for measuring, aligning, restraining ([A63B 69/0059](#), [A63B 69/3673](#) take precedence)}

**Definition statement**

This place covers:

Also attachments used between the hand/hands and the golf club, either by directly attaching one or more hands to the club, or by attaching the hands to one another around the golf club (e.g. via a band or a sticking surface fixing the grip to the hand/glove of the user, or even indirectly blocking the relative movement between the hands and the grip).

**References****Limiting references**

This place does not cover:

Means for physically limiting movements of body parts worn by the user	<a href="#">A63B 69/0059</a>
Foot inclining aids	<a href="#">A63B 69/3673</a>

**Informative references**

Attention is drawn to the following places, which may be of interest for search:

Attachments of exercise devices to the body without movement restriction	<a href="#">A63B 21/4001</a>
Attachments of exercising apparatus to the upper limbs of the user	<a href="#">A63B 21/4017</a>
Attachments of exercising apparatus to the hand of the user	<a href="#">A63B 21/4019</a>
Attachments of exercising apparatus to the wrist of the user	<a href="#">A63B 21/4021</a>
Visual means not attached to the body for positioning the trainee's head or for detecting head movement, e.g. by parallax (for driving)	<a href="#">A63B 69/3629</a>
Golf stance aids, i.e. means for positioning a golfer's feet	<a href="#">A63B 69/3667</a>
Visual means not attached to the body for positioning the trainee's head or for detecting head movement, e.g. by parallax (for putting)	<a href="#">A63B 69/3682</a>
Tactile feedback	<a href="#">A63B 2071/0655</a>
Visual indication, e.g. Indicia (only visual (i.e. non mechanical) alignment devices)	<a href="#">A63B 2071/0694</a>

**A63B 69/3614**

**{using electro-magnetic, magnetic or ultrasonic radiation emitted, reflected or interrupted by the golf club}**

**Definition statement**

*This place covers:*

All types of training means using electro-magnetic, magnetic or ultrasonic radiation e.g. laser aiming, interruption of beams or lamps attached to golf club.

**References****Informative references**

*Attention is drawn to the following places, which may be of interest for search:*

Optical or opto-electric sensors	<a href="#">A63B 2220/805</a>
Powered illuminating means	<a href="#">A63B 2225/74</a>

**A63B 69/3617**

**{Striking surfaces with impact indicating means, e.g. markers}**

**Definition statement**

*This place covers:*

Means indicating the actual impact point, i.e. point of contact, with the ball.

**References****Informative references**

*Attention is drawn to the following places, which may be of interest for search:*

Means indicating the preferred impact point for normal golf clubs, i.e. visual indicators for aligning the golf club	<a href="#">A63B 53/0441</a>
Visual indicators for training purposes for indicating the preferred impact point or aligning the golf club	<a href="#">A63B 69/3632</a>
Visual indicators for putting training purposes for indicating the preferred impact point or aligning the putter	<a href="#">A63B 69/3685</a>

**Special rules of classification**

Note: the means indicate the actual impact point, i.e. point of contact, with the ball; means indicating the preferred impact point for normal golf clubs should be coded in [A63B 53/0441](#), and for training purposes in [A63B 69/3632](#) or [A63B 69/3685](#).

**A63B 69/3621**

**{Contacting or non-contacting mechanical means for guiding the swing}**

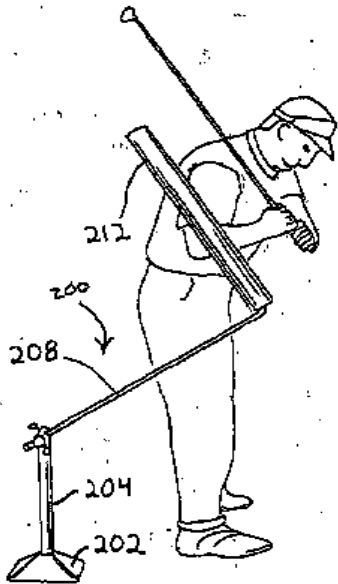
**Definition statement**

*This place covers:*

Contacting and non-contacting mechanical (i.e. not only visual) means for guiding the swing. "Non-contacting mechanical means" means that there would be contact only if the movement is executed

wrongly. Thus, it is valid for any type of device that the club contacts during the swing OR would contact if used wrongly (within the normal limits of a swing).

The following figure that shows an example of non-contacting means.



## References

### Informative references

Attention is drawn to the following places, which may be of interest for search:

Attachments on the body, e.g. for measuring, aligning, restraining	<a href="#">A63B 69/3608</a>
Visual means not attached to the body for positioning the trainee's head or for detecting head movement, e.g. by parallax (for driving)	<a href="#">A63B 69/3629</a>
Visual means not attached to the body for positioning the trainee's head or for detecting head movement, e.g. by parallax (for putting)	<a href="#">A63B 69/3682</a>
Visual indication (if the means for guiding the swing are only of a visual nature, e.g. line on a mat that the user should try to follow)	<a href="#">A63B 2071/0694</a>

## A63B 69/36211

{Mechanical guides guiding the club head end during the complete swing, e.g. rails}

### Definition statement

*This place covers:*

Mechanical guides which guide the club head end during the complete (or almost complete) swing; this also can be achieved by guiding any part of the golf club, i.e. not necessarily the club head end.

**A63B 69/36212**

{with a flexible member fixed on the club and rotating around a fixed supporting point (clubs only for gymnastics or muscular training [A63B 15/00](#))}

**References****Limiting references**

*This place does not cover:*

Clubs for gymnastics or the like, e.g. for swinging exercises	<a href="#">A63B 15/00</a>
---	----------------------------

**Informative references**

*Attention is drawn to the following places, which may be of interest for search:*

Resilient force resistors of the extension element type	<a href="#">A63B 21/055</a>
Elastic ropes or bands	<a href="#">A63B 21/0552</a>
User-manipulated weights	<a href="#">A63B 21/06</a>

**A63B 69/36213**

{with arm or rod fixed on the club and rotating around a fixed supporting point}

**Definition statement**

*This place covers:*

Linked arms/rods/bars.

**References****Informative references**

*Attention is drawn to the following places, which may be of interest for search:*

Mechanical guide guiding the club head end during the complete swing with a flexible member fixed on the club and rotating around a fixed supporting point	<a href="#">A63B 69/36212</a>
--	-------------------------------

**A63B 69/3623**

{for driving ([A63B 69/3608](#), [A63B 69/3658](#), [A63B 69/3661](#), [A63B 69/3667](#) and [A63B 69/3691](#) take precedence)}

**References****Limiting references**

*This place does not cover:*

Attachments on the body, e.g. for measuring, aligning, restraining	<a href="#">A63B 69/3608</a>
Means associated with the ball for indicating or measuring, e.g. speed, direction	<a href="#">A63B 69/3658</a>
Mats for golf practice, e.g. mats having a simulated turf, a practice tee or a green area	<a href="#">A63B 69/3661</a>

Limiting references

Golf stance aids, e.g. means for positioning a golfer's feet	<a href="#">A63B 69/3667</a>
Golf courses; Golf practising terrains having a plurality of driving areas, fairways, greens	<a href="#">A63B 69/3691</a>

## A63B 69/3629

{Visual means not attached to the body for aligning, positioning the trainee's head or for detecting head movement, e.g. by parallax}

### Definition statement

*This place covers:*

Means that help to put the head of the user in a position in space for driving.

### References

#### Informative references

*Attention is drawn to the following places, which may be of interest for search:*

Golf club heads with visual indicators for aligning the golf club	<a href="#">A63B 53/0441</a>
Contacting or non-contacting means for guiding the swing	<a href="#">A63B 69/3621</a>
Drivers or attachments on drivers, e.g. for measuring, aligning	<a href="#">A63B 69/3632</a>
Putters or attachments on putters, e.g. for measuring, aligning	<a href="#">A63B 69/3685</a>
Visual indication for aligning the eyes or body with the target line	<a href="#">A63B 2071/0694</a>

## A63B 69/3632

{Clubs or attachments on clubs, e.g. for measuring, aligning ([A63B 69/3614](#) takes precedence; clubs for swinging exercises in general [A63B 15/00](#))}

### References

#### Limiting references

*This place does not cover:*

Clubs, weighted hand bars for swinging exercises not related to golf technique	<a href="#">A63B 15/00</a>
Golf clubs not used for training with visual indicators for aligning the club	<a href="#">A63B 53/0441</a>
Bats with a ball tethered thereto	<a href="#">A63B 67/20</a>
Golf training apparatus using electro-magnetic, magnetic or ultrasonic radiation emitted, reflected or interrupted by the golf club	<a href="#">A63B 69/3614</a>

#### Informative references

*Attention is drawn to the following places, which may be of interest for search:*

Attachments of exercising apparatus to the upper limbs of the user	<a href="#">A63B 21/4017</a>
Attachments of exercising apparatus to the hand of the user	<a href="#">A63B 21/4019</a>
Attachments of exercising apparatus to the wrist of the user	<a href="#">A63B 21/4021</a>
Golf clubs not used for training with visual indicators for aligning the club	<a href="#">A63B 53/0441</a>

Handles or grips for golf clubs, bats, rackets or the like	<a href="#">A63B 60/06</a>
Weighted handles for golf clubs, bats, rackets or the like	<a href="#">A63B 60/24</a>
Bats with a ball tethered thereto	<a href="#">A63B 67/20</a>

## A63B 69/3635

{with sound-emitting source}

### References

#### Informative references

Attention is drawn to the following places, which may be of interest for search:

Means for indicating or measuring the pressure on the grip	<a href="#">A63B 2060/464</a>
--	-------------------------------

## A63B 69/3638

{Normal golf clubs with directly attached weights}

### References

#### Limiting references

This place does not cover:

Clubs, weighted hand bars for swinging exercises not related to golf technique	<a href="#">A63B 15/00</a>
--	----------------------------

#### Informative references

Attention is drawn to the following places, which may be of interest for search:

User-manipulated weights; fluids, e.g. water	<a href="#">A63B 21/0602</a>
Fluid-like particles, e.g. gun shot, sand	<a href="#">A63B 21/0603</a>

## A63B 69/3652

{Inclined platforms for practising drives from slopes}

### References

#### Informative references

Attention is drawn to the following places, which may be of interest for search:

Special golf games, e.g. miniature golf, e.g. golf putting games played on putting tracks; putting practice apparatus having an elongated platform as a putting track	<a href="#">A63B 67/02</a>
Mats for golf practice, e.g. mats having a simulated turf, a practice tee or a green area	<a href="#">A63B 69/3661</a>
Golf courses and golf practising terrains having a plurality of driving areas, fairways, greens.	<a href="#">A63B 69/3691</a>

**A63B 69/3655****{Balls, ball substitutes, or attachments on balls therefor}****References****Informative references***Attention is drawn to the following places, which may be of interest for search:*

Short-distance or low-velocity balls for training, or for playing on a reduced area	<a href="#">A63B 2043/001</a>
---	-------------------------------

**A63B 69/3661****{Mats for golf practice, e.g. mats having a simulated turf, a practice tee or a green area}****References****Informative references***Attention is drawn to the following places, which may be of interest for search:*

Special golf games, e.g. miniature golf, e.g. golf putting games played on putting tracks; putting practice apparatus having an elongated platform as a putting track	<a href="#">A63B 67/02</a>
Inclined platforms for practising drives from slopes	<a href="#">A63B 69/3652</a>
Golf courses and golf practising terrains having a plurality of driving areas, fairways, greens.	<a href="#">A63B 69/3691</a>
Surfaces simulating grass	<a href="#">E01C 13/08</a>

**A63B 69/3676****{for putting ([A63B 69/3608](#), [A63B 69/3661](#), [A63B 69/3667](#) and [A63B 69/3697](#) take precedence)}****References****Limiting references***This place does not cover:*

Attachments on the body, e.g. for measuring, aligning, restraining	<a href="#">A63B 69/3608</a>
Mats for golf practice, e.g. mats having a simulated turf, a practice tee or a green area	<a href="#">A63B 69/3661</a>
Golf stance aids, e.g. means for positioning a golfer's feet	<a href="#">A63B 69/3667</a>
Golf courses with putting taking place on a green other than the target green	<a href="#">A63B 69/3697</a>

**Informative references***Attention is drawn to the following places, which may be of interest for search:*

Putting tracks	<a href="#">A63B 67/02</a>
----------------	----------------------------



Golf courses; Golf practising terrains having a plurality of driving areas, fairways, greens	<a href="#">A63B 69/3691</a>
--	------------------------------

## **A63B 69/3682**

{Visual means not attached to the body for aligning, positioning the trainee's head or for detecting head movement, e.g. by parallax}

### **Definition statement**

*This place covers:*

Means that help to put the head of the user in a position in space for putting.

### **References**

#### **Informative references**

*Attention is drawn to the following places, which may be of interest for search:*

Golf club heads with visual indicators for aligning the golf club	<a href="#">A63B 53/0441</a>
Drivers or attachments on drivers, e.g. for measuring, aligning	<a href="#">A63B 69/3632</a>
Putters or attachments on putters e.g. for measuring, aligning	<a href="#">A63B 69/3685</a>
Visual indication for aligning the eyes or body with the target line	<a href="#">A63B 2071/0694</a>

## **A63B 69/3685**

{Putters or attachments on putters, e.g. for measuring, aligning ([A63B 69/3614](#) takes precedence)}

### **References**

#### **Limiting references**

*This place does not cover:*

Golf training apparatus using electro-magnetic, magnetic or ultrasonic radiation emitted, reflected or interrupted by the golf club	<a href="#">A63B 69/3614</a>
---	------------------------------

#### **Informative references**

*Attention is drawn to the following places, which may be of interest for search:*

Attachments of exercising apparatus to the upper limbs of the user	<a href="#">A63B 21/4017</a>
Attachments of exercising apparatus to the hand of the user	<a href="#">A63B 21/4019</a>
Attachments of exercising apparatus to the wrist of the user	<a href="#">A63B 21/4021</a>
Handles or grips for golf clubs, bats, rackets or the like	<a href="#">A63B 60/06</a>
Weighted handles for golf clubs, bats, rackets or the like	<a href="#">A63B 60/24</a>

## A63B 69/3691

{Golf courses; Golf practising terrains having a plurality of driving areas, fairways, greens (special golf games, e.g. miniature golf, [A63B 67/02](#); mats for simulating golf greens [A63B 69/3661](#))}

### References

#### Limiting references

*This place does not cover:*

Special golf games, e.g. miniature golf, golf putting games played on putting tracks; putting practice apparatus having an elongated platform as a putting track	<a href="#">A63B 67/02</a>
Mats for golf practice, e.g. mats having a simulated turf, a practice tee or a green area	<a href="#">A63B 69/3661</a>

#### Informative references

*Attention is drawn to the following places, which may be of interest for search:*

Inclined platforms for practising drives from slopes	<a href="#">A63B 69/3652</a>
Pavings or foundations specially adapted for playgrounds or sports grounds; Drainage, irrigation or heating of sports grounds	<a href="#">E01C 13/00</a>

## A63B 69/38

for tennis {([A63B 61/006](#), [A63B 69/0073](#) and [A63B 69/0097](#) take precedence)}

### References

#### Limiting references

*This place does not cover:*

Accessories for training purposes mounted on the net	<a href="#">A63B 61/006</a>
Means for releasably holding a ball in position; balls constrained to move around a fixed point, e.g. by tethering	<a href="#">A63B 69/0073</a>
Ball rebound walls	<a href="#">A63B 69/0097</a>

#### Informative references

*Attention is drawn to the following places, which may be of interest for search:*

Devices measuring hand characteristics to determine correct grip size	<a href="#">A63B 2060/462</a>
Means for indicating or measuring the pressure on the grip	<a href="#">A63B 2060/464</a>

### Special rules of classification

control must be classified in [A63B 24/00](#).

The interface features must be classified in [A63B 71/06](#).

The sensors must be classified in [A63B 2220/00](#) or [A63B 2230/00](#).

The position of the user must be classified in [A63B 2208/00](#).

## A63B 69/40

**Stationarily-arranged devices for projecting balls {or other bodies} ({golf cups with ball ejector means [A63B 57/405](#);} traps for clay-pigeon targets [F41J 9/18](#))**

### Definition statement

*This place covers:*

"Stationarily" also includes moving robots which are stationary when projecting balls.

### References

#### Limiting references

*This place does not cover:*

Golf cups with ball ejector means	<a href="#">A63B 57/405</a>
Traps for clay-pigeon targets	<a href="#">F41J 9/18</a>

#### Informative references

*Attention is drawn to the following places, which may be of interest for search:*

Ball dispensers having means preventing bridge formation during dispensing	<a href="#">A63B 2047/004</a>
Targets with means for returning balls by gravity or mechanically	<a href="#">A63B 63/00</a>
Implements for throwing	<a href="#">A63B 65/00</a>
Dog ball launchers	<a href="#">A01K 15/025</a>
Apparatus for projecting balls for indoor games	<a href="#">A63F 7/2409</a>
Sling weapons	<a href="#">F41B 3/00</a>
Magazines for projected targets	<a href="#">F41J 9/30</a>
Means for obviating the anticipation of the flight path for projected targets	<a href="#">F41J 9/32</a>

## A63B 69/406

**{with rotating discs, wheels or pulleys gripping and propelling the balls or bodies by friction}**

### References

#### Informative references

*Attention is drawn to the following places, which may be of interest for search:*

Friction-wheel operated launchers	<a href="#">F41B 4/00</a>
-----------------------------------	---------------------------

**A63B 69/407****{with spring-loaded propelling means}****References****Informative references***Attention is drawn to the following places, which may be of interest for search:*

Catapults	<a href="#">F41B 3/02</a>
Traps or throwing-apparatus for clay-pigeon or clay-disc targets with spring-operated throwing arm	<a href="#">F41J 9/20</a>

**A63B 71/00****Games or sports accessories not covered in groups [A63B 1/00](#) - [A63B 69/00](#) (starting appliances [A63K 3/02](#))****Definition statement***This place covers:*Games or sports accessories not covered in groups [A63B 1/00](#) - [A63B 69/0015](#).**References****Limiting references***This place does not cover:*

Race starting appliances	<a href="#">A63K 3/02</a>
--------------------------	---------------------------

**A63B 71/0009****{for handicapped persons}****Definition statement***This place covers:*

Games and apparatus for handicapped persons.

**Special rules of classification**Wheelchair training on rollers is classified in [A63B 69/16](#) and additionally in [A63B 2071/0018](#).**A63B 71/0036****{Accessories for stowing, putting away or transporting exercise apparatus or sports equipment ([A63B 47/00](#), [A63B 55/00](#), [A63B 60/56](#) take precedence)}****Definition statement***This place covers:*

Accessories for stowing, putting away or transporting exercise apparatus or sports equipment.

## References

### Limiting references

*This place does not cover:*

Devices for handling, treating or holding balls	<a href="#">A63B 47/00</a>
Bags and stands for golf clubs	<a href="#">A63B 55/00</a>
Devices for protection, storage or transport for golf clubs, bats, rackets or the like	<a href="#">A63B 60/56</a>

### Application-oriented references

*Examples of places where the subject matter of this place is covered when specially adapted, used for a particular purpose, or incorporated in a larger system:*

Devices for handling, treating or holding balls	<a href="#">A63B 57/20</a>
---	----------------------------

### Informative references

*Attention is drawn to the following places, which may be of interest for search:*

Space saving in sport equipment	<a href="#">A63B 2210/00</a>
Sport bags	<a href="#">A45C 2003/007</a>
Hand-propelled vehicles for transporting sport articles	<a href="#">B62B 2202/40</a>

## A63B 71/0045

{specially adapted for games played with rackets or bats ([A63B 60/56](#) takes precedence)}

### Definition statement

*This place covers:*

Accessories for stowing, putting away or transporting exercise apparatus or sports equipment, specially adapted for games played with rackets or bats.

## References

### Limiting references

*This place does not cover:*

Devices for protection, storage or transport for golf clubs, bats, rackets or the like	<a href="#">A63B 60/56</a>
--	----------------------------

### Informative references

*Attention is drawn to the following places, which may be of interest for search:*

Devices for storing or displaying elongated objects such as fishing rods, guns etc.	<a href="#">A47B 81/005</a>
---	-----------------------------

**A63B 71/0054**

{Features for injury prevention on an apparatus, e.g. shock absorbers (mats or the like for absorbing shocks for jumping [A63B 6/00](#))}

**References****Limiting references**

*This place does not cover:*

Mats or the like for absorbing shocks for jumping	<a href="#">A63B 6/00</a>
---	---------------------------

**A63B 2071/0081**

{Stopping the operation of the apparatus}

**References****Informative references**

*Attention is drawn to the following places, which may be of interest for search:*

Means preventing unauthorised use, e.g. by lowering a tennis net	<a href="#">A63B 2225/72</a>
--	------------------------------

**A63B 2071/009**

{Protective housings covering the working parts of the apparatus}

**Definition statement**

*This place covers:*

Protective housings covering the working parts of the apparatus.

**A63B 71/02**

**for large-room or outdoor sporting games**

**References****Informative references**

*Attention is drawn to the following places, which may be of interest for search:*

Design or layout of playing courts, rinks, bowling greens or areas for water-skiing	<a href="#">A63C 19/00</a>
Pavings or foundations specially adapted for playgrounds or sports grounds; Drainage, irrigation or heating of sports grounds	<a href="#">E01C 13/00</a>
Searchlights, i.e. outdoor lighting device producing powerful beam of parallel rays, e.g. for military or attraction purposes	<a href="#">F21S 8/003</a>

**A63B 71/021****{Stays or guy-ropes}****References****Informative references***Attention is drawn to the following places, which may be of interest for search:*

Stays or guy-ropes for masts	<a href="#">E04H 12/20</a>
Stays or guy-ropes for tents	<a href="#">E04H 15/34</a>

**A63B 71/022****{Backstops, cages, enclosures or the like, e.g. for spectator protection, for arresting balls}****References****Informative references***Attention is drawn to the following places, which may be of interest for search:*

Targets or goals for ball games	<a href="#">A63B 63/00</a>
Training appliances for cricket	<a href="#">A63B 69/0015</a>
Ball rebound walls	<a href="#">A63B 69/0097</a>
Fences; Nets; Barriers	<a href="#">A63C 2019/085</a>
Removable protective covers for courts, rinks, or game pitches or the like	<a href="#">A63C 19/12</a>
Fencing, e.g. fences, enclosures, corrals	<a href="#">E04H 17/00</a>

**A63B 71/023****{Supports, e.g. poles}****References****Informative references***Attention is drawn to the following places, which may be of interest for search:*

Posts for tennis or like games, e.g. volley-ball	<a href="#">A63B 61/02</a>
Forming a target or goal by fixing net or target area to garage doorway or garage parts	<a href="#">A63B 2063/006</a>
Fixation by suction cups	<a href="#">A63B 2225/055</a>
Pavings or foundations specially adapted for playgrounds or sports grounds; Drainage, irrigation or heating of sports grounds	<a href="#">E01C 13/00</a>

**A63B 2071/026****{stabilised by weight}****References****Informative references***Attention is drawn to the following places, which may be of interest for search:*

Sockets filled with water, sand or the like	<a href="#">E04H 12/2246</a>
---	------------------------------

**A63B 71/028****{Floor sockets for removable poles}****References****Informative references***Attention is drawn to the following places, which may be of interest for search:*

Sockets for poles in general	<a href="#">E04H 12/22</a>
------------------------------	----------------------------

**A63B 71/04****for small-room or indoor sporting games****References****Limiting references***This place does not cover:*

Design or layout of playing courts, rinks, bowling greens or areas for water-skiing	<a href="#">A63C 19/00</a>
---	----------------------------

**A63B 71/06****Indicating or scoring devices for games or players {, or for other sports activities}****Definition statement***This place covers:*

Scoring devices for sports activities

**References****Informative references***Attention is drawn to the following places, which may be of interest for search:*

For fencing	<a href="#">A63B 69/02</a>
Details of notification to user or patient for diagnostic purposes	<a href="#">A61B 5/74</a>
For card games	<a href="#">A63F 1/18</a>
For arrow or dart games	<a href="#">F41J 3/02</a>



**A63B 71/0605****{Decision makers and devices using detection means facilitating arbitration}****References****Limiting references***This place does not cover:*

Devices used in petanque for measuring distance or difference in distance	<a href="#">A63B 67/066</a>
Line foul detectors for bowling	<a href="#">A63D 1/06</a>
Decision makers for riding sports	<a href="#">A63K 3/00</a>
Target indicating system, score detecting system for guns	<a href="#">F41J 5/00</a>

**A63B 71/0616****{Means for conducting or scheduling competition, league, tournaments or rankings}****References****Limiting references***This place does not cover:*

Competitions, virtual races	<a href="#">A63B 24/0084</a>
-----------------------------	------------------------------

**A63B 71/0619****{Displays, user interfaces and indicating devices, specially adapted for sport equipment, e.g. display mounted on treadmills}****References****Informative references***Attention is drawn to the following places, which may be of interest for search:*

PDA	<a href="#">G06F 1/1626</a>
Signal devices with lights	<a href="#">G08B 5/36</a>

**A63B 71/0622****{Visual, audio or audio-visual systems for entertaining, instructing or motivating the user}****References****Informative references***Attention is drawn to the following places, which may be of interest for search:*

MP3-player associated to further apparatuses	<a href="#">G11B 31/00</a>
--	----------------------------

**A63B 2071/0625****{Emitting sound, noise or music}****References****Limiting references***This place does not cover:*

Rhythm indicators for respiratory exercises	<a href="#">A63B 23/185</a>
Golf clubs for training with sound emitting source	<a href="#">A63B 69/3635</a>

**A63B 2071/0627****{when used improperly, e.g. by giving a warning}****References****Limiting references***This place does not cover:*

rhythm indicators	<a href="#">A63B 23/185</a>
for respiratory exercises	<a href="#">A63B 23/185</a>
in golf clubs for training	<a href="#">A63B 69/3635</a>
Visual, audio or audio-visual systems for entertaining, instructing or motivating the user	<a href="#">A63B 71/0622</a>

**A63B 2071/0644****{with display speed of moving landscape controlled by the user's performance}****References****Informative references***Attention is drawn to the following places, which may be of interest for search:*

The load of the exercise apparatus being controlled in synchronism with visualising systems, e.g. hill slope	<a href="#">A63B 2024/009</a>
--	-------------------------------

**A63B 2071/0655****{Tactile feedback}****References****Informative references***Attention is drawn to the following places, which may be of interest for search:*

Attachments of exercising apparatus to the upper limbs of the user	<a href="#">A63B 21/4017</a>
Attachments of exercising apparatus to the hand of the user	<a href="#">A63B 21/4019</a>
Attachments of exercising apparatus to the wrist of the user	<a href="#">A63B 21/4021</a>

Means for physically limiting movements of body parts	<a href="#">A63B 69/0057</a>
Means for physically limiting movements of body parts worn by the user	<a href="#">A63B 69/0059</a>
Appliances for aiding patients or disabled persons to walk about with tactile perception	<a href="#">A61H 2003/063</a>

## A63B 2071/0661

{arranged on the user}

### References

#### Informative references

Attention is drawn to the following places, which may be of interest for search:

Head mounted display	<a href="#">G02B 27/017</a>
Wearable computers	<a href="#">G06F 1/163</a>
Transceiver s arranged on the body	<a href="#">H04B 1/385</a>

## A63B 2071/0663

{worn on the wrist, e.g. wrist bands}

### References

#### Limiting references

This place does not cover:

Time pieces combined with an external data detector	<a href="#">G04G 21/02</a>
for measuring physiological data	<a href="#">G04G 21/025</a>

## A63B 71/0669

{Score-keepers or score display devices}

### References

#### Informative references

Attention is drawn to the following places, which may be of interest for search:

Wrist worn watch type	<a href="#">G04G 9/0064</a>
-----------------------	-----------------------------

**A63B 71/0672****{using non-electronic means}****References****Informative references***Attention is drawn to the following places, which may be of interest for search:*

Computing aids in which the computing members form at least part of the displayed result and manipulated directly by hand, e.g. abacus, pocket adding device	<a href="#">G06C 1/00</a>
--	---------------------------

**A63B 71/0686****{Timers, rhythm indicators or pacing apparatus using electric or electronic means}****References****Limiting references***This place does not cover:*

For respiratory exercises	<a href="#">A63B 23/185</a>
Pedometers	<a href="#">G01C 22/006</a>
Sport timing	<a href="#">G07C 1/22</a>
Automatically producing a series of tones	<a href="#">G10H 1/26</a>
Regulating music	<a href="#">G10H 1/40</a>

**Synonyms and Keywords**

cadence = strokes, strides etc per second.

**A63B 2071/0694****{Visual indication, e.g. Indicia}****Relationships with other classification places**

This code typically is used with multiple classifications, exemplified as follows.

The following image shows an example of a typical document for training a golf swing (thus, classified in [A63B 69/3623](#)) and which is further classified in [A63B 2071/0694](#) because of the alignment rods that give the golfer the visual indication of the actual target line.

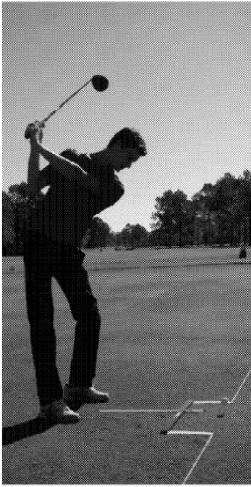


FIG. 5

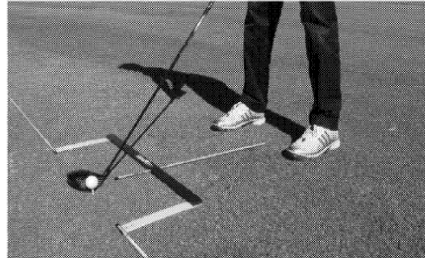
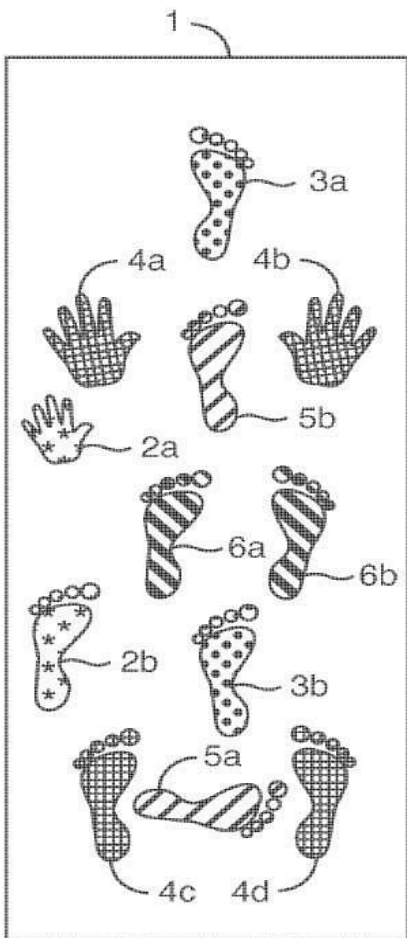


FIG. 6

The following image shows an example of use of [A63B 2071/0694](#) for classifying the pose markings of a mat for learning yoga.



## Relationships with other classification places

The next image shows use of [A63B 2071/0694](#) for classifying the reference markings (95) on the crown of a golf club head.

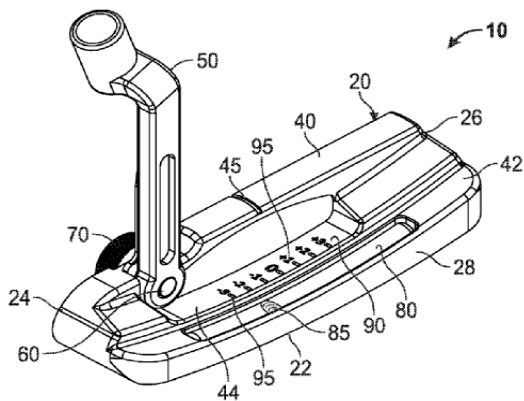


FIG. 1

## References

### References out of a residual place

Examples of places in relation to which this place is residual:

Golf club heads with visual indicators for aligning the golf club	<a href="#">A63B 53/0441</a>
Golf tees with direction indicators	<a href="#">A63B 57/19</a>
Attachments on the body, e.g. for measuring, aligning, restraining	<a href="#">A63B 69/3608</a>
Visual means not attached to the body for positioning the trainee's head or for detecting head movement, e.g. by parallax (for driving)	<a href="#">A63B 69/3629</a>
Drivers or attachments on drivers, e.g. for measuring, aligning	<a href="#">A63B 69/3632</a>
Visual means not attached to the body for positioning the trainee's head or for detecting head movement, e.g. by parallax (for putting)	<a href="#">A63B 69/3682</a>
Putters or attachments on putters e.g. for measuring, aligning	<a href="#">A63B 69/3685</a>

### Informative references

Attention is drawn to the following places, which may be of interest for search:

Advertising on sports articles, e.g. golf clubs	<a href="#">G09F 23/0066</a>
---	------------------------------

## A63B 71/08

Body-protectors for players or sportsmen {, i.e. body-protecting accessories affording protection of body parts against blows or collisions} (protective clothing or garments for sporting purposes [A41D 13/00](#))

## References

### Limiting references

This place does not cover:

Protective clothing or garments for sporting purposes	<a href="#">A41D 13/00</a>
---	----------------------------

**A63B 71/081****{fluid-filled, e.g. air-filled}****References*****Informative references****Attention is drawn to the following places, which may be of interest for search:*

Inflatable	<a href="#">A63B 2225/62</a>
------------	------------------------------

**A63B 2071/083****{using bubble wrap}****Special rules of classification**Location of protection should be classified in [A63B 71/08](#).**A63B 71/085****{Mouth or teeth protectors ([A63B 71/081](#) takes precedence)}****References*****Limiting references****This place does not cover:*

Fluid-filled, e.g. air-filled body protectors	<a href="#">A63B 71/081</a>
---	-----------------------------

***Informative references****Attention is drawn to the following places, which may be of interest for search:*

Protective face masks	<a href="#">A41D 13/00</a>
Lip or mouth protectors for dentistry	<a href="#">A61C 5/90</a>

**A63B 2071/086****{Mouth inserted protectors with breathing holes}****Definition statement***This place covers:*

Mouth inserted protectors with breathing holes.

Also for holes (i.e. airway opening) in the front portion of the mouthguard due to the manufacturing and/or customizing process.

## A63B 2071/088

{Mouth inserted protectors with tether or strap}

### Definition statement

*This place covers:*

Mouth inserted protectors with tether or strap, e.g. to be fixed to a helmet.

## A63B 71/10

for the head ({[A63B 71/081](#) takes precedence } ; in the form of caps or hats [A42B 1/08](#); helmets [A42B 3/00](#))

### References

#### Limiting references

*This place does not cover:*

Helmets for swimming or water polo	<a href="#">A63B 33/00</a>
Fluid-filled, e.g. air-filled, body-protectors for players or sportsmen	<a href="#">A63B 71/081</a>
Head protectors in the form of caps or hats	<a href="#">A42B 1/08</a>
Helmets	<a href="#">A42B 3/00</a>
Face guards for ice hockey	<a href="#">A42B 3/20</a>
for the ears	<a href="#">A61F 11/06</a>

### Special rules of classification

Fencing masks are also classified in [A63B 2071/105](#) and [A63B 69/02](#).

## A63B 2071/105

{Fencing mask}

### Definition statement

*This place covers:*

Fencing mask, also for masks used in kendo.

### Special rules of classification

These documents should also be classified in [A63B 71/10](#) and [A63B 69/02](#).

## A63B 71/12

for the body or the legs {, e.g. for the shoulders ([A63B 71/081](#) takes precedence)}

### References

#### Limiting references

*This place does not cover:*

Fluid-filled, e.g. air-filled, body-protectors for players or sportsmen	<a href="#">A63B 71/081</a>
---	-----------------------------



**Informative references**

Attention is drawn to the following places, which may be of interest for search:

When the protector for sporting purposes is integrated in garment/apparel/clothing	<a href="#">A41D 13/00</a>
--	----------------------------

**A63B 71/1216**

{for the genital area}

**References****Limiting references**

This place does not cover:

Crotch reinforcement	<a href="#">A41D 1/088</a>
Suspensory bandages	<a href="#">A61F 5/40</a>

**A63B 71/1225**

{for the legs, e.g. thighs, knees, ankles, feet}

**References****Informative references**

Attention is drawn to the following places, which may be of interest for search:

Hosiery with pockets	<a href="#">A41B 11/006</a>
Reinforcements for hosiery	<a href="#">A41B 11/02</a>
Bandages, e.g. orthosis-like supports or braces	<a href="#">A61F 5/0102</a>
Bandages or dressings for strengthening joints	<a href="#">A61F 13/06</a>

**A63B 2071/1258**

{for the shin, e.g. shin guards}

**References****Informative references**

Attention is drawn to the following places, which may be of interest for search:

Hosiery with pockets	<a href="#">A41B 11/006</a>
Reinforcements for hosiery	<a href="#">A41B 11/02</a>

**A63B 71/1291****{for the neck}****References****Informative references***Attention is drawn to the following places, which may be of interest for search:*

Protectors for the neck as a part of a helmet	<a href="#">A42B</a>
---	----------------------

**A63B 71/14****for the hands, e.g. baseball, boxing or golfing gloves (archer's finger tabs  
[F41B 5/1473](#))****References****Limiting references***This place does not cover:*

Archer's finger tabs	<a href="#">F41B 5/1473</a>
----------------------	-----------------------------

**A63B 71/141****{in the form of gloves}****Definition statement***This place covers:*

Wrist guards and gloves for weight lifting.

**References****Informative references***Attention is drawn to the following places, which may be of interest for search:*

Swimming gloves	<a href="#">A63B 31/02</a>
With adhesive type surfaces, e.g. hook and loop-type fastener	<a href="#">A63B 2209/10</a>
Hand protectors	<a href="#">A41D 13/081</a>
Gloves in general	<a href="#">A41D 19/00</a>
Brush bodies shaped as gloves or finger-stalls	<a href="#">A46B 5/04</a>
Gloves for washing the body	<a href="#">A47K 7/02</a>
Gloves for cleaning floors, carpets, furniture, walls, or wall coverings	<a href="#">A47L 13/18</a>
Operating gloves	<a href="#">A61B 42/10</a>
Gloves for glove-boxes	<a href="#">B25J 21/02</a>

**Special rules of classification**

Attachments of exercising apparatus to the upper limbs of the user	<a href="#">A63B 21/4017</a>
--	------------------------------

Attachments of exercising apparatus to the hand of the user	<a href="#">A63B 21/4019</a>
Attachments of exercising apparatus to the wrist of the user	<a href="#">A63B 21/4021</a>
User-manipulated weights	<a href="#">A63B 21/06</a>

## **A63B 71/143**

**{Baseball or hockey gloves}**

### **Definition statement**

*This place covers:*

also gloves for CRICKET batsmen, or LACROSSE.

## **A63B 71/148**

**{Gloves for bowling and other ball games}**

### **Definition statement**

*This place covers:*

also gloves for FOOTBALL (SOCCER) goal keepers.

### **References**

#### **Informative references**

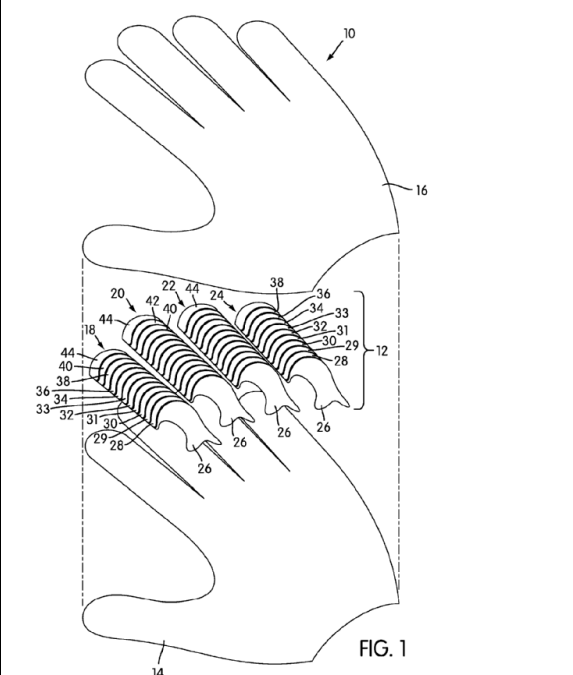
*Attention is drawn to the following places, which may be of interest for search:*

Football (i.e. soccer)	<a href="#">A63B 2243/0025</a>
Hand protectors especially for fingers	<a href="#">A41D 13/087</a>
Protective gloves with protection against crushing	<a href="#">A41D 19/01517</a>
Protective gloves absorbing shocks or vibrations	<a href="#">A41D 19/01523</a>
Protective gloves including rigid elements	<a href="#">A41D 19/01588</a>

### **Special rules of classification**

Multiple entry classification in different classes is often used, i.e. documents are classified in the applicable groups and/or subgroups of two different sub-classes: [A41D 19/00](#) (maybe also [A41D 13/08](#)) and [A63B 71/148](#).

For example:

<p style="font-size: small; margin: 0;">WO 2007/103985                      1/17                      PCT/US2007/063509</p> 	<p>This document (WO 2007/103985) is classified as follows (multiple entry classification in different classes): <a href="#">A41D 19/01588</a> ; <a href="#">A63B 71/148</a> ; <a href="#">A63B 2243/0025</a></p>
--	---

## A63B 2102/00

**Application of clubs, bats, rackets or the like to the sporting activity {; particular sports involving the use of balls and clubs, bats, rackets, or the like}**

### Special rules of classification

This group and its corresponding subgroups only are used when the relevant sport/s is/are not unambiguously clear from any other of the symbols allocated.

## A63B 2208/00

**Characteristics or parameters related to the user or player (measuring physical characteristics of the user [A63B 2230/00](#))**

### References

#### Limiting references

*This place does not cover:*

Measuring physiological parameters in the context of training and sport	<a href="#">A63B 2230/00</a>
---	------------------------------

#### Informative references

*Attention is drawn to the following places, which may be of interest for search:*

Measuring physiological parameters in the context of medical care	<a href="#">A61M 2230/00</a>
---	------------------------------

**A63B 2208/0223****Squatting****Definition statement**

*This place covers:*

Sitting on the heels.

**References****Limiting references**

*This place does not cover:*

Squat exercises	<a href="#">A63B 2023/0411</a>
-----------------	--------------------------------

**A63B 2208/0238****with stretched legs, like on a bed****Definition statement**

*This place covers:*

Recumbent.

**A63B 2208/0285****Hanging****Definition statement**

*This place covers:*

The person hanging upside-down or in an inverted position.

**A63B 2208/029****upright****Definition statement**

*This place covers:*

i.e. in the normal body position for standing, with head at top and feet at bottom.

**A63B 2208/0295****on hands and feet (for push-ups [A63B 23/1236](#))****References****Limiting references**

*This place does not cover:*

Push-up exercises	<a href="#">A63B 23/1236</a>
-------------------	------------------------------

**A63B 2209/10****with adhesive type surfaces, i.e. hook and loop-type fastener****Definition statement***This place covers:*

Any kind of adhesive surface in the sport equipment apparatus, e.g. low-tack pressure sensitive adhesives, not only for hook-and loop type of fastener.

**A63B 2210/02****incorporated in chairs****References****Limiting references***This place does not cover:*

Chairs with exercising means	<a href="#">A47C 9/002</a>
------------------------------	----------------------------

**A63B 2210/04****incorporated in beds, sofas****References****Limiting references***This place does not cover:*

Attached to beds e.g. hospital beds during revalidation	<a href="#">A63B 21/1672</a>
---	------------------------------

**A63B 2210/50****Size reducing arrangements for stowing or transport****References****Limiting references***This place does not cover:*

Rackets with easily dismountable parts	<a href="#">A63B 49/035</a>
Accessories for stowing	<a href="#">A63B 71/0036</a>
Incorporated in furniture	<a href="#">A63B 2210/00</a>
Inflatable	<a href="#">A63B 2225/62</a>
Foldable camping beds	<a href="#">A47C 17/70</a>
foldable beds	<a href="#">A47C 19/12</a>
Size reducing arrangements for physical therapy	<a href="#">A61H 2201/0161</a>

**A63B 2210/54**

**Foldable elastic frame members automatically resuming their expanded state when released**

**References****Limiting references**

*This place does not cover:*

Flexible frames for tents	<a href="#">E04H 15/40</a>
---------------------------	----------------------------

**A63B 2213/004**

**with electrotherapy**

**References****Limiting references**

*This place does not cover:*

Devices using electric currents for producing or ending sleep or stupor	<a href="#">A61M 2021/0072</a>
---	--------------------------------

**Informative references**

*Attention is drawn to the following places, which may be of interest for search:*

Electrotherapy	<a href="#">A61N 1/00</a>
----------------	---------------------------

**A63B 2213/005**

**with respiratory gas delivering means, e.g. O<sub>2</sub>**

**References****Informative references**

*Attention is drawn to the following places, which may be of interest for search:*

Medical treatment rooms	<a href="#">A61G 10/00</a>
-------------------------	----------------------------

**A63B 2213/006**

**under hypoxia conditions, i.e. oxygen supply subnormal**

**References****Informative references**

*Attention is drawn to the following places, which may be of interest for search:*

Medical treatment rooms	<a href="#">A61G 10/00</a>
-------------------------	----------------------------

## A63B 2220/00

### Measuring of physical parameters relating to sporting activity

#### Definition statement

*This place covers:*

The purpose of the measurement should take precedence over the measuring method or device.

#### Relationships with other classification places

Measuring of sport goods [G01B 5/0023](#).

#### References

##### Limiting references

*This place does not cover:*

Measuring torque, work, mechanical power, or mechanical efficiency in general	<a href="#">G01L 3/00</a>
---	---------------------------

## A63B 2220/10

### Positions

#### Special rules of classification

Not used and not for distance or speed or acceleration determination.

## A63B 2220/16

### Angular positions

#### Definition statement

*This place covers:*

Also for indicating the direction of e.g. a flight path of a ball, the orientation of a player etc.

## A63B 2220/17

### Counting, e.g. counting periodical movements, revolutions or cycles, or including further data processing to determine distances or speed

#### References

##### Limiting references

*This place does not cover:*

Frequency	<a href="#">A63B 2220/64</a>
Cycle computers	<a href="#">G01C 22/002</a>



**A63B 2220/34****Angular speed****References****Limiting references**

*This place does not cover:*

Cycle computers	<a href="#">G01C 22/002</a>
-----------------	-----------------------------

**A63B 2220/40****Acceleration****Special rules of classification**

Not for force or torque measurement.

**A63B 2220/50****Force related parameters****References****Limiting references**

*This place does not cover:*

Measuring torque, work, mechanical power, or mechanical efficiency in general	<a href="#">G01L 3/00</a>
---	---------------------------

**Special rules of classification**

This code not used; use subgroups.

**A63B 2220/54****Torque****Definition statement**

*This place covers:*

Also for deformation, flexion, deflection, torsion.

**Relationships with other classification places**

Measuring torque, mechanical power or mechanical efficiency in general [G01L 3/00](#).

**A63B 2220/56****Pressure****References****Limiting references**

*This place does not cover:*

Measuring pressure on grips	<a href="#">A63B 2060/464</a>
Atmospheric pressure	<a href="#">A63B 2220/74</a>

**A63B 2220/58****Measurement of force related parameters by electric or magnetic means****Relationships with other classification places**

Measuring torque, Mechanical power or mechanical efficiency in general [G01L 3/00](#).

**A63B 2220/62****Time or time measurement used for time reference, time stamp, master time or clock signal****Definition statement**

*This place covers:*

Used for time reference, time stamp, master time or clock signal.

**References****Limiting references**

*This place does not cover:*

Reaction time	<a href="#">A63B 69/0053</a>
Registering, indicating or recording the time of events or elapsed time in connection with sports or games	<a href="#">G07C 1/22</a>

**A63B 2220/64****Frequency, e.g. of vibration oscillation****References****Limiting references**

*This place does not cover:*

Resonance frequency related properties of bats or rackets	<a href="#">A63B 60/002</a>
---	-----------------------------

## A63B 2220/72

### Temperature

#### References

##### Limiting references

*This place does not cover:*

Temperature of the user	<a href="#">A63B 2230/50</a>
-------------------------	------------------------------

## A63B 2220/80

### Special sensors, transducers or devices therefor

#### Definition statement

*This place covers:*

Only special sensors for, or specific aspects related to a sport implement.

## A63B 2220/801

### Contact switches

#### Definition statement

*This place covers:*

Examples: shock sensors, vibration detectors for detecting an event (where the magnitude of shock or vibration is not important).

#### References

##### Limiting references

*This place does not cover:*

Counting	<a href="#">A63B 2220/17</a>
----------	------------------------------

## A63B 2220/803

### Motion sensors

#### Definition statement

*This place covers:*

Motion sensors in general where the motion parameter is not specifically indicated, i.e. any movement.

**A63B 2220/833****Sensors arranged on the exercise apparatus or sports implement****References****Limiting references***This place does not cover:*

Cycle computers	<a href="#">G01C 22/002</a>
-----------------	-----------------------------

**A63B 2225/00****Miscellaneous features of sport apparatus, devices or equipment****Definition statement***This place covers:*

Sports OR exercising equipment.

**A63B 2225/01****Special aerodynamic features, e.g. airfoil shapes, wings or air passages****References****Limiting references***This place does not cover:*

Bats, rackets or the like having special surfaces reducing air resistance; details of the surface of the bats, rackets or the like, e.g. dimpled	<a href="#">A63B 60/006</a>
--	-----------------------------

**Informative references***Attention is drawn to the following places, which may be of interest for search:*

Bats with through holes	<a href="#">A63B 60/50</a>
-------------------------	----------------------------

**A63B 2225/02****Testing, calibrating or measuring of equipment****References****Limiting references***This place does not cover:*

Measuring or verifying ball characteristics	<a href="#">A63B 47/008</a>
Measuring or verifying club, bat or racket characteristics	<a href="#">A63B 60/42</a>

**A63B 2225/05****with suction cups****References****Limiting references***This place does not cover:*

Suction cups used as force resisting device	<a href="#">A63B 21/0089</a>
---	------------------------------

**A63B 2225/08****with writing point****References****Informative references***Attention is drawn to the following places, which may be of interest for search:*

Golf tees with writing means	<a href="#">A63B 57/18</a>
------------------------------	----------------------------

**A63B 2225/093****Height****References****Informative references***Attention is drawn to the following places, which may be of interest for search:*

Telescopic systems with locking in discrete positions	<a href="#">F16B 7/105</a>
---	----------------------------

**A63B 2225/10****Multi-station exercising machines****Definition statement***This place covers:*

e.g. radially extending from a central linking element.

**References****Limiting references***This place does not cover:*Compound apparatus for fitness training: [A63B 23/03558](#) takes precedence

**A63B 2225/15**

**with identification means that can be read by electronic means**

**Definition statement**

*This place covers:*

e.g. a smart card.

**References****Informative references**

*Attention is drawn to the following places, which may be of interest for search:*

Identification of a person	<a href="#">A61B 5/117</a>
Record carriers for use with machines	<a href="#">G06K 19/00</a>
Individual entry or exit registers	<a href="#">G07C 9/00</a>
Cards for payment	<a href="#">G07F 7/00</a>

**A63B 2225/20**

**with means for remote communication, e.g. internet or the like**

**Definition statement**

*This place covers:*

networking.

**References****Informative references**

*Attention is drawn to the following places, which may be of interest for search:*

with wireless data transmission	<a href="#">A63B 2225/50</a>
PDA	<a href="#">G06F 1/1626</a>
digital computing special functions	<a href="#">G06F 17/00</a>
advertising	<a href="#">G09F 23/00</a>

**A63B 2225/605****Floating****References****Limiting references**

*This place does not cover:*

Exercising apparatus comprising buoyant volumes to be submerged	<a href="#">A63B 21/0606</a>
Inflatable apparatus	<a href="#">A63B 2225/62</a>

**A63B 2225/62****Inflatable****References****Informative references***Attention is drawn to the following places, which may be of interest for search:*

Fluid filled, e.g. air-filled body protectors	<a href="#">A63B 71/081</a>
---	-----------------------------

**A63B 2225/72****Means preventing unauthorised use, e.g. by lowering a tennis net****References****Informative references***Attention is drawn to the following places, which may be of interest for search:*

Stopping the operation of the apparatus	<a href="#">A63B 2071/0081</a>
---	--------------------------------

**A63B 2230/00****Measuring physiological parameters of the user****References****Limiting references***This place does not cover:*

Measuring correct grip size	<a href="#">A63B 2060/462</a>
-----------------------------	-------------------------------

**Informative references***Attention is drawn to the following places, which may be of interest for search:*

Game controllers involving biosensors worn by the player, e.g. for measuring heart beat, limb activity	<a href="#">A63F 2300/1012</a>
--	--------------------------------

**A63B 2230/30****blood pressure ([A63B 2230/04](#) takes precedence)****References****Limiting references***This place does not cover:*

Heartbeat characteristics, e.g. E.G.C., blood pressure modulations	<a href="#">A63B 2230/04</a>
--	------------------------------

**A63B 2230/50****temperature****References****Informative references***Attention is drawn to the following places, which may be of interest for search:*

Measuring temperature	<a href="#">A63B 2220/72</a>
-----------------------	------------------------------

**A63B 2230/75****calorie expenditure****Definition statement***This place covers:*

This code is used even where the calorie consumption is calculated from other measurements, rather than directly measured.

Also indicated as MET (Metabolic Equivalent of Task).

**References****Informative references***Attention is drawn to the following places, which may be of interest for search:*

Computing aids in which the computing members form at least part of the displayed result and manipulated directly by hand, e.g. abacus, pocket adding device	<a href="#">G06C 1/00</a>
--	---------------------------

**A63B 2243/00****Specific ball sports not provided for in [A63B 2102/00](#) - [A63B 2102/38](#)****Special rules of classification**

This group and its corresponding subgroups are only used when the relevant sport/s is/are not unambiguously clear from any other of the symbols allocated.

**A63B 2243/0025****Football (American football [A63B 2243/007](#))****References****Limiting references***This place does not cover:*

American football	<a href="#">A63B 2243/007</a>
-------------------	-------------------------------

**Special rules of classification**

This class is intended for the game of soccer



**A63B 2244/00****Sports without balls****Special rules of classification**

The corresponding subgroups of this subgroup are only used when the relevant sport/s is/are not unambiguously clear from any other of the symbols allocated.

**A63B 2244/088****hurdling****Definition statement**

*This place covers:*

Running and jumping over an obstacle at speed.

**References****Informative references**

*Attention is drawn to the following places, which may be of interest for search:*

Hurdles or the like and athletic hurdles	<a href="#">A63K 3/04</a> , <a href="#">A63K 3/043</a>
Road signs or traffic signals in the form of a three-dimensional body	<a href="#">E01F 9/654</a>

**A63B 2244/10****Combat sports****References****Informative references**

*Attention is drawn to the following places, which may be of interest for search:*

Rugby, American football	<a href="#">A63B 2243/0066</a>
--------------------------	--------------------------------

**A63B 2244/102****Boxing****References****Informative references**

*Attention is drawn to the following places, which may be of interest for search:*

Boxing rings	<a href="#">A63C 19/005</a>
--------------	-----------------------------

**A63B 2244/22****Dancing****Definition statement**

*This place covers:*

All types of dancing, including ballet.

**A63B 2244/225****Pole dancing****Definition statement**

*This place covers:*

Rigid poles and also swaying rods.

**References*****Informative references***

*Attention is drawn to the following places, which may be of interest for search:*

Climbing poles	<a href="#">A63B 9/00</a>
Supports for anchoring force resistors between horizontal surfaces, e.g. floor and ceiling	<a href="#">A63B 21/1681</a>