

## A63J

### DEVICES FOR THEATRES, CIRCUSES, OR THE LIKE; CONJURING APPLIANCES OR THE LIKE

#### Definition statement

*This place covers:*

Devices for theatres, circuses or the like, places for public entertainment or amusement, e.g. labyrinths, cinemas;

- Conjuring appliances or the like appliances for performing magic or illusionary effects;
- Stage arrangements;
- Equipment for, or arrangement of, circuses or arenas;
- Auxiliaries for producing special effects on stages, or in circuses or arenas;
- Auxiliary apparatus for artistes;
- Centrifugal tracks, loop-the-loops, or the like;
- Labyrinths;
- Panoramas, dioramas, stereoramas, or the like;
- Peep-shows; Kaleidoscopic or the other opalescence exhibitions;
- Apparatus for performing colour-music;
- Puppet, marionette, or shadow shows or theatres;
- Conjuring appliances; Auxiliary apparatus for conjurers;
- Equipment specially adapted for cinemas.

#### Relationships with other classification places

[E04B](#) covers general building constructions; walls, e.g. partitions; roofs; floors; ceilings; insulation or other protection of buildings. For example, [E04B 7/00](#) covers typical arena roof construction.

[E04H](#) covers buildings or like structures for particular purposes; swimming or splash baths or pools; masts; fencing; tents or canopies, in general. For example, [E04H 3/00](#) covers buildings or groups of buildings for public or similar purposes and their constructional features; [E04H 15/00](#) covers tent types.

[A63G](#) covers devices for public for public amusement, especially rotating or rocking devices for fun-fairs. [A63H](#) covers toys for similar amusements, toy scenery, or hand puppets used by artists for their performance.

#### References

##### Informative references

*Attention is drawn to the following places, which may be of interest for search:*

Chutes; Helters-skelters	<a href="#">A63G 21/00</a>
Vehicles adapted to transport, to carry or to comprise theatres or stages	<a href="#">B60P 3/025</a>
General building constructions; walls; roofs; floors; ceilings; insulation or other protection of buildings	<a href="#">E04B</a>
Buildings or like structures for particular purposes; swimming or splash baths or pools; masts; fencing; tents or canopies, in general	<a href="#">E04H</a>
Buildings or groups of buildings for meetings, entertainments, or sports	<a href="#">E04H 3/10</a>
Theatres; Concert halls; Studios for cinematography, constructional features of stages or auditoriums in theatres or the like	<a href="#">E04H 3/22</a>
Tents in general, e.g. circus tents	<a href="#">E04H 15/00</a>

## Glossary of terms

In this place, the following terms or expressions are used with the meaning indicated:

Conjuring	The art or skill of performing tricks or illusions for entertainment.
-----------	---

## Synonyms and Keywords

In patent documents, the following words/expressions are often used as synonyms:

- "conjuring", "prestidigitation" and "sleights and of hand"
- "track", "path", "raceway", and "racetrack"

## A63J 1/00

### Stage arrangements

### References

#### Informative references

Attention is drawn to the following places, which may be of interest for search:

Furnishing for windows or doors (e.g. curtains)	<a href="#">A47H</a>
Devices for drawing domestic curtains	<a href="#">A47H 5/00</a>
Fire-proof curtains	<a href="#">A62C 2/10</a>
Vehicles adapted to transport theatres or stages	<a href="#">B60P 3/025</a>
Capstans; winches; tackles	<a href="#">B66D</a>
Woven fabrics; methods of weaving; looms	<a href="#">D03D</a>
Buildings for public purposes: theatres, concert halls, studios for broadcasting, cinematography, television	<a href="#">E04H</a> , <a href="#">E04H 3/22</a>
Models of scenic effects, e.g. trees, rocks, water surfaces other than for stage purposes	<a href="#">G09B 25/08</a>

## A63J 1/02

**Scenery; Curtains; Other decorations; Means for moving same {(fireproof curtains [A62C 2/10](#))}**

### References

#### Informative references

Attention is drawn to the following places, which may be of interest for search:

Fire-proof curtains	<a href="#">A62C 2/10</a>
---------------------	---------------------------

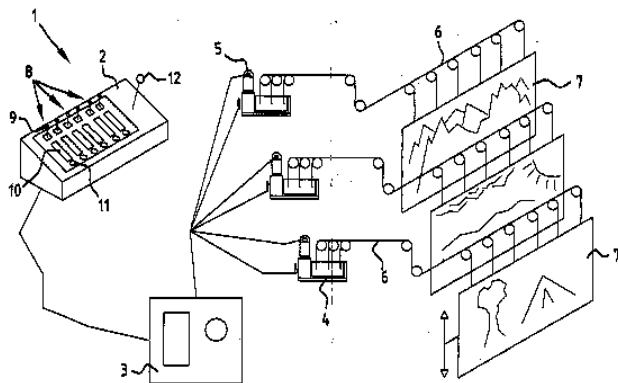
## A63J 1/028

{Means for moving hanging scenery}

### Definition statement

*This place covers:*

Illustrative example of subject matter classified in [A63J 1/028](#)



### References

#### Informative references

Attention is drawn to the following places, which may be of interest for search:

Portable or mobile lifting or hauling appliances	<a href="#">B66D 3/00</a>
Braking or detent devices characterised by application to lifting or hoisting gear	<a href="#">B66D 5/00</a>

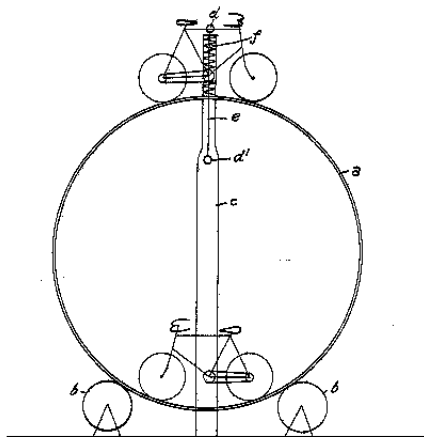
## A63J 3/00

Equipment for, or arrangement of, circuses or arenas

### Definition statement

*This place covers:*

Illustrative example of subject matter classified in [A63J 3/00](#)



## References

### Informative references

Attention is drawn to the following places, which may be of interest for search:

General building constructions; walls, e.g. partitions; roofs; floors; ceilings; insulation or other protection of buildings	<a href="#">E04B</a>
Buildings or like structures for particular purposes; swimming or splash baths or pools; masts; fencing; tents or canopies, in general	<a href="#">E04H</a>
Theatres; Concert halls; Studios for broadcasting, cinematography, television or similar purposes	<a href="#">E04H 3/22</a>

## A63J 5/00

### Auxiliaries for producing special effects on stages, or in circuses or arenas

## References

### Informative references

Attention is drawn to the following places, which may be of interest for search:

Lifts in, or associated with, buildings Platform lifts	<a href="#">B66B 9/00</a>
Shiftable or portable platforms of stages	<a href="#">B66F 7/00</a>
Lighting arrangements for stages, or in circuses or arenas, e.g. for producing special lighting effects	<a href="#">E04H 3/28</a>
Lighting devices intended for fixed installation, e.g. stage, circus, studio, theatre or indoor arena lighting	<a href="#">F21S</a>
Systems of lighting devices	<a href="#">F21S 2/00</a>
Lighting devices or systems producing a varying lighting effect	<a href="#">F21S 10/00</a>
Supporting, suspending, or attaching arrangements for lighting devices	<a href="#">F21V 21/00</a>
Electroponic musical instruments; instruments in which the tones are generated by electromechanical means or electronic generators, or in which the tones are synthesised from a data store	<a href="#">G10H</a>
Details of electroponic musical instruments	<a href="#">G10H 1/00</a>
Electric lighting not otherwise provided for; Circuit arrangements for electric light sources in general; Controlling	<a href="#">H05B 47/10</a>

## A63J 5/025

{Devices for making mist or smoke effects, e.g. with liquid air (for camouflage [F41H 9/06](#))}

## References

### Informative references

Attention is drawn to the following places, which may be of interest for search:

Methods or apparatus for discharging liquefied, solidified, or compressed gases from pressure vessels	<a href="#">F17C 7/00</a>
Steam boilers	<a href="#">F22B 29/00</a>

Apparatus for generating artificial fog or smoke screens	<a href="#">F41H 9/06</a>
--	---------------------------

## A63J 5/12

### Apparatus for raising or lowering persons

#### References

##### *Informative references*

*Attention is drawn to the following places, which may be of interest for search:*

Elevators; escalators or moving walkways	<a href="#">B66B</a>
Portable or mobile lifting or hauling appliances	<a href="#">B66D 3/00</a>
Braking or detent devices characterised by application to lifting or hoisting gear	<a href="#">B66D 5/00</a>
Lifting frames; Platform lifts	<a href="#">B66F 7/00</a>

## A63J 7/00

### Auxiliary apparatus for artistes

#### References

##### *Informative references*

*Attention is drawn to the following places, which may be of interest for search:*

Masks for theatrical use	<a href="#">A41G 7/00</a>
Juggling or spinning ball games played as games of skill	<a href="#">A63B 67/08</a>
Hand-puppets	<a href="#">A63H 3/14</a>

## A63J 7/005

{Disguises for one or more persons for life-like imitations of creatures, e.g. animals, giants (masks [A41G 7/00](#); hand-puppets [A63H 3/14](#))}

#### References

##### *Limiting references*

*This place does not cover:*

Masks or dominoes for concealing identity, e.g. for theatrical use	<a href="#">A41G 7/00</a>
--	---------------------------

## A63J 9/00

### Centrifugal tracks, loop-the-loops or the like

#### References

##### *Informative references*

Attention is drawn to the following places, which may be of interest for search:

Looping-the-loop swings	<a href="#">A63G 9/08</a>
Chutes; Helter-skelters	<a href="#">A63G 21/00</a>

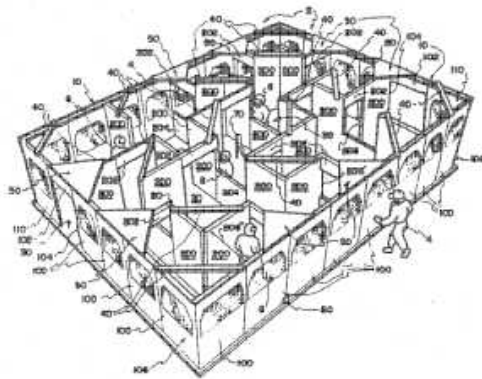
## A63J 11/00

### Labyrinths

#### Definition statement

*This place covers:*

Illustrative example of subject matter classified in [A63J 11/00](#)



## A63J 13/00

### Panoramas, dioramas, stereoramas, or the like

#### References

##### *Informative references*

Attention is drawn to the following places, which may be of interest for search:

Model railways units in combination with scenics for toy purposes	<a href="#">A63H 19/36</a>
Toy models or toy scenery	<a href="#">A63H 33/42</a>
Educational or demonstration appliances; appliances for teaching, or communicating with, the blind, deaf or mute; models; planetaria; globes; maps; diagrams	<a href="#">G09B</a>
Models for full-sized devices for demonstration purposes, for surveying or for geography, e.g. relief models	<a href="#">G09B 25/00</a>

## Glossary of terms

In this place, the following terms or expressions are used with the meaning indicated:

Diorama	Model representing a scene with three-dimensional figures. Scenic painting, viewed through a peephole, in which changes in colour and direction of illumination simulate changes in the weather, time of day, etc. Miniature film set used for special effects of animation.
---------	--

## A63J 15/00

Peep-shows, e.g. raree-shows; Kaleidoscopic or other opalescence exhibitions

### References

#### Informative references

Attention is drawn to the following places, which may be of interest for search:

Optical, colour, or shadow toys	<a href="#">A63H 33/22</a>
Kaleidoscopes	<a href="#">G02B 27/08</a>

## A63J 17/00

Apparatus for performing colour-music

### References

#### Limiting references

This place does not cover:

Details of electrophonic musical instruments	<a href="#">G10H 1/00</a>
Circuit arrangements for electric light sources in general; Controlling	<a href="#">H05B 47/10</a>

#### Informative references

Attention is drawn to the following places, which may be of interest for search:

Electrophonic musical instruments; instruments in which the tones are generated by electromechanical means or electronic generators, or in which the tones are synthesised from a data store	<a href="#">G10H</a>
--	----------------------

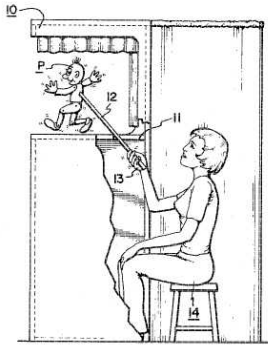
## A63J 19/00

### Puppet, marionette, or shadow shows or theatres

#### Definition statement

*This place covers:*

Illustrative example of subject matter classified in [A63J 19/00](#)



#### References

##### Informative references

*Attention is drawn to the following places, which may be of interest for search:*

Hand-puppets	<a href="#">A63H 3/14</a>
Jumping jacks	<a href="#">A63H 3/18</a>

## A63J 19/006

### {Puppets or marionettes therefor}

#### References

##### Informative references

*Attention is drawn to the following places, which may be of interest for search:*

Hand-puppets	<a href="#">A63H 3/14</a>
Jumping jacks	<a href="#">A63H 3/18</a>

## A63J 21/00

### Conjuring appliances; Auxiliary apparatus for conjurers

#### Glossary of terms

*In this place, the following terms or expressions are used with the meaning indicated:*

Conjuring	Entertainment in the form of magic tricks or illusions
-----------	--



## Synonyms and Keywords

*In patent documents, the following words/expressions are often used as synonyms:*

- "conjuring", "prestidigitation" and "sleights and of hand"

## A63J 25/00

**Equipment specially adapted for cinemas (cinematographic projection means [G03B](#))**

## References

### *Informative references*

*Attention is drawn to the following places, which may be of interest for search:*

Apparatus or arrangements for taking photographs or for projecting or viewing them; apparatus or arrangements employing analogous techniques using waves other than optical waves; accessories therefor	<a href="#">G03B</a>
---	----------------------