

B21G

MAKING NEEDLES, PINS OR NAILS OF METAL

Definition statement

This place covers:

Devices and processes for the manufacture of needles, pins or nails by metal forming operations such as forging.

References

Informative references

Attention is drawn to the following places, which may be of interest for search:

Manufacture of metal wires, rods, tubes by drawing or extrusion	B21C
Working of metal wires	B21F
Forging	B21J
Forging operations, specially adapted for the manufacture of particular objects like rivets or bolts	B21K
Polishing; grinding	B24B , B24D
Nails per se	F16L

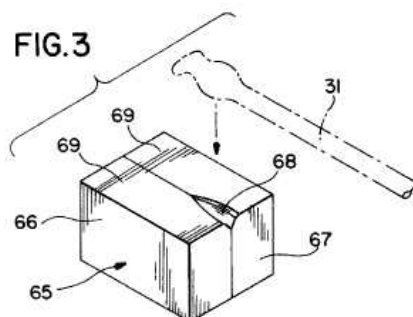
B21G 1/00

Making needles used for performing operations (forming heads on pin-like needles [B21G 3/12](#); making U-shaped hairpins [B21G 7/04](#))

Definition statement

This place covers:

Devices and processes for making needles. The feature of the title "for performing operations" does not imply any particular restriction.



Source: EP0650698

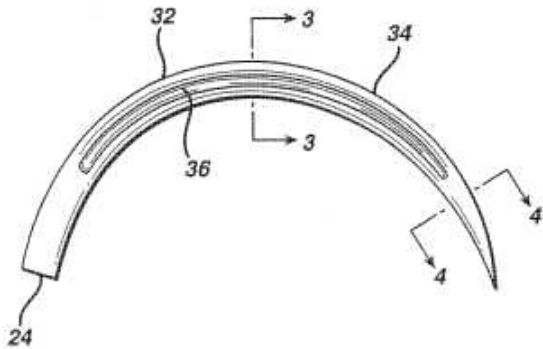
B21G 1/08

of hollow needles or needles with hollow end, e.g. hypodermic needles, larding-needles ([B21G 1/10](#) takes precedence)

Definition statement

This place covers:

Devices and processes for making surgical needles, hollow needles, needles with hollow end, hypodermic needles, larding needles.



Source: US5649961

References

Informative references

Attention is drawn to the following places, which may be of interest for search:

Surgical needles	A61B 17/06066
------------------	-------------------------------

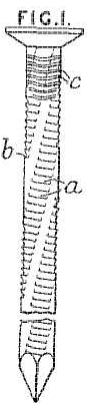
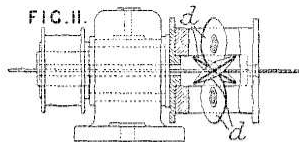
B21G 3/00

Making pins, nails, or the like (of pins with individual caps [B21G 5/00](#); of U-like shape [B21G 7/00](#); of split-pins [B21G 7/08](#))

Definition statement

This place covers:

Devices and processes for making pins and nails or the like.



Source: GB330409

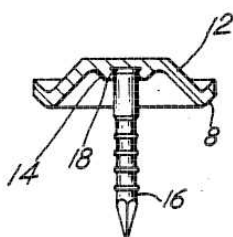
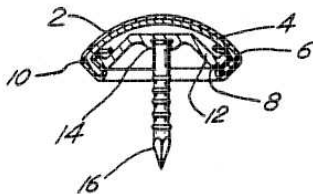
B21G 5/00

Making pins or nails with attached caps or with coated heads

Definition statement

This place covers:

Devices and processes for making pins or nails of the type with attached caps or with coated heads.



Source: US5031262

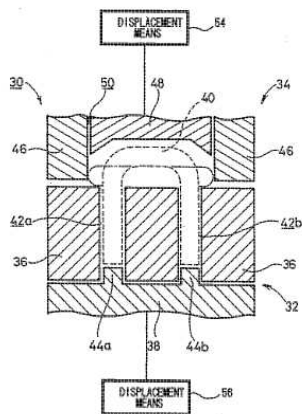
B21G 7/00

**Making pins of U-like shape or split-pins (of paper fasteners or staples
[B21D 53/46](#), [B21F 45/16](#))**

Definition statement

This place covers:

Devices and processes for making pins of U-like shape or split pins.



Source: US5404707