

## B60N

### SEATS SPECIALLY ADAPTED FOR VEHICLES; VEHICLE PASSENGER ACCOMMODATION NOT OTHERWISE PROVIDED FOR

#### Definition statement

*This place covers:*

Seat specially adapted for vehicles ([B60N 2/00](#))

Arrangements or adaptations of other passenger fittings ([B60N 3/00](#))

Arrangements or devices on vehicles for entrance or exit control of passengers, e.g. turnstiles ([B60N 5/00](#))

Manufacturing methods specially adapted for manufacturing seat covers ([B60N 2/58](#)).

Manufacturing methods specially adapted for manufacturing seat upholstery ([B60N 2/70](#)).

#### References

##### Informative references

*Attention is drawn to the following places, which may be of interest for search:*

furniture construction	<a href="#">A47</a>
Motor vehicles	<a href="#">B62D</a>
Locks in general	<a href="#">E05B</a>

## B60N 2/00

Seats specially adapted for vehicles; Arrangement or mounting of seats in vehicles (railway seats [B61D 33/00](#); cycle seats [B62J 1/00](#); aircraft seats [B64D 11/06](#), [B64D 25/04](#), [B64D 25/10](#))

#### References

##### Limiting references

*This place does not cover:*

Railway seats	<a href="#">B61D 33/00</a>
Cycle seats	<a href="#">B62J 1/00</a>
Aircraft seats	<a href="#">B64D 11/06</a> , <a href="#">B64D 25/04</a> , <a href="#">B64D 25/10</a>

##### Informative references

*Attention is drawn to the following places, which may be of interest for search:*

Seats in general (furniture)	<a href="#">A47C 7/00</a>
For facilitating access of invalids to, or exit of invalids from, vehicles	<a href="#">A61G 3/02</a>

### Special rules of classification

1) In this subclass multiple classification is applied, i.e. when a document shows a disclosure, which is relevant for a plurality of groups, the different aspects will be classified as invention information in all relevant groups. Thus a plurality of CCI symbols will be given.

2) Generally all information will be classified as invention information where a CCI symbol exist, because there was no distinction made between inventive and additional information in the past. The breakdowns groups with 2000 symbols (CCA) could also contain invention information.

### Glossary of terms

*In this place, the following terms or expressions are used with the meaning indicated:*

Seat	the seat comprises the cushion, the back-rest, the head and armrests and the connecting elements connecting the seat to the vehicle floor
Cushion	seating part of a seat distinguished from the back-rest; the cushion comprises e.g. a frame and an upholstery, but does not comprise connecting legs to the vehicle floor
Back-rest	the back-rest like the cushion comprises e.g. a frame and an upholstery
Braking systems	Systems which prevent relative rotational movement between two adjusted elements, e.g. caused by vibration or other exterior forces, in particular for positioning devices not having a sufficient self locking effect, e.g. cycloidal or planetary gear mechanisms.

### B60N 2/002

**{Seats provided with an occupancy detection means mounted therein or thereon (detection means responsive to presence or absence of children [B60N 2/266](#))}**

### References

#### Limiting references

*This place does not cover:*

Detection means responsive to presence or absence of children	<a href="#">B60N 2/266</a>
---	----------------------------

#### Informative references

*Attention is drawn to the following places, which may be of interest for search:*

Weighing apparatus, e.g. for airbag systems	<a href="#">G01G 19/4142</a>
---	------------------------------

## B60N 2/01

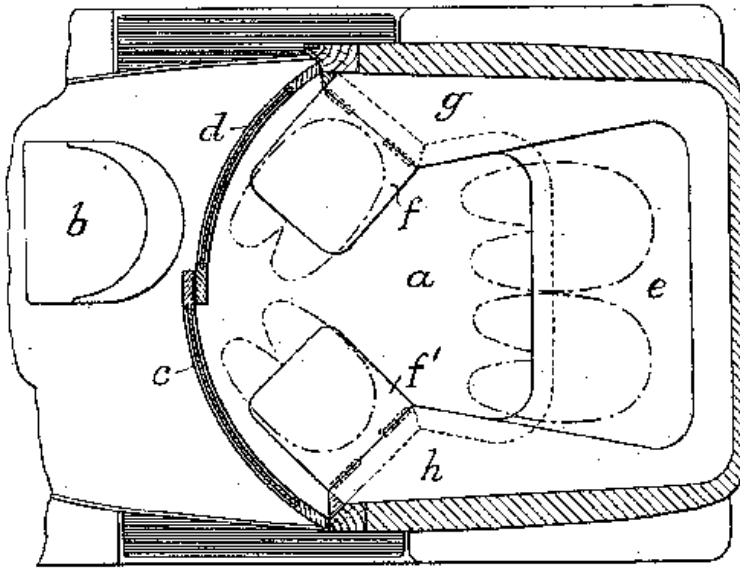
### Arrangement of seats relative to one another

#### Definition statement

This place covers:

Illustrative example of subject matter classified in this group.

*[This Drawing is a reproduction of the Original on a reduced scale.]*



## B60N 2/015

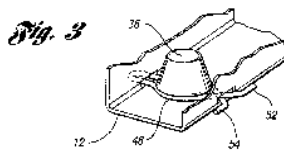
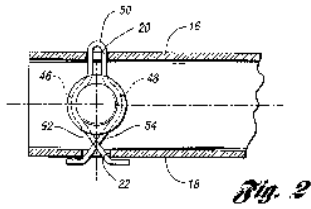
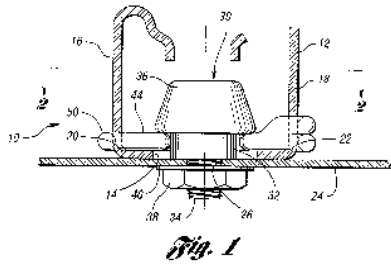
### Attaching seats directly to vehicle chassis

#### Definition statement

*This place covers:*

Illustrative example of subject matter classified in this group.

U.S. PATENT OFFICE JUL 2, 2003 U.S. PATENT OFFICE



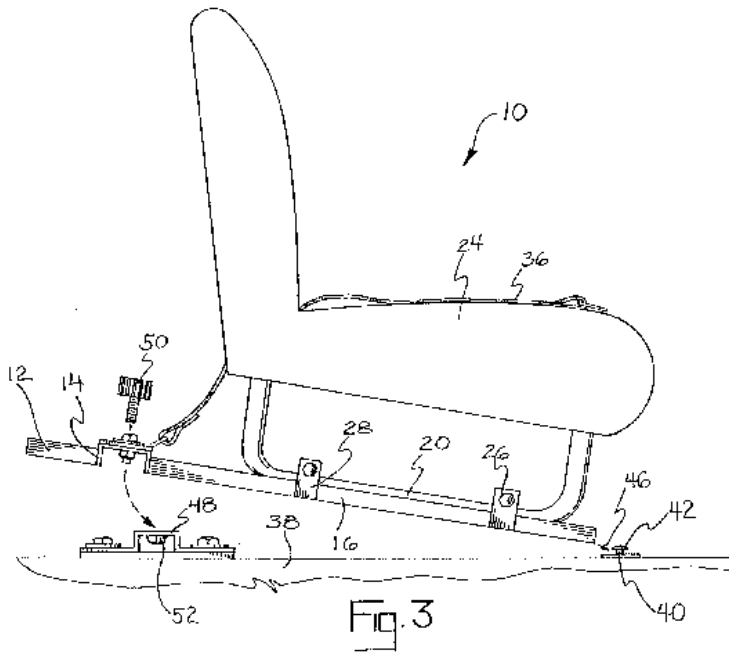
## B60N 2/01508

{using quick release attachments}

### Definition statement

*This place covers:*

Illustrative example of subject matter classified in this group.



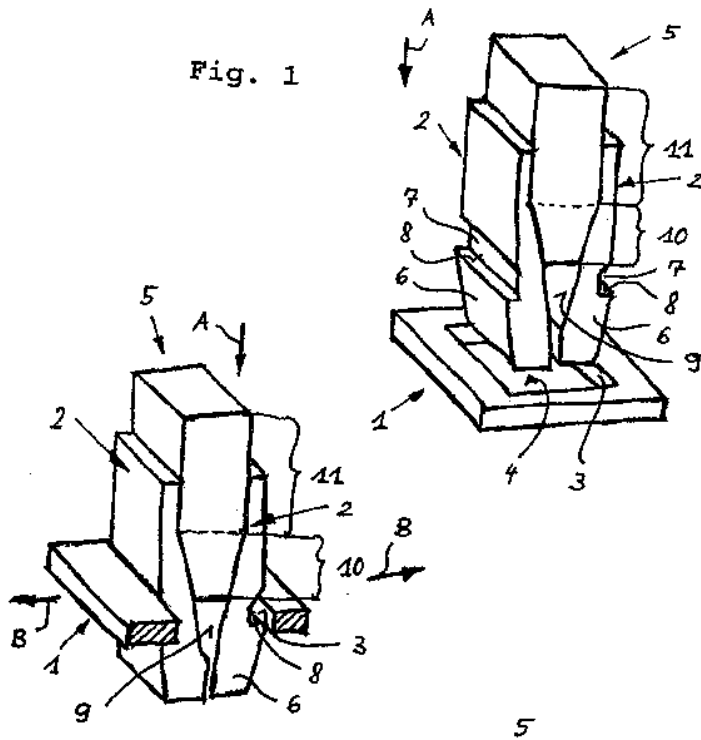
## B60N 2/01525

{with locking elements expanding inside or under the vehicle floor or rail}

### Definition statement

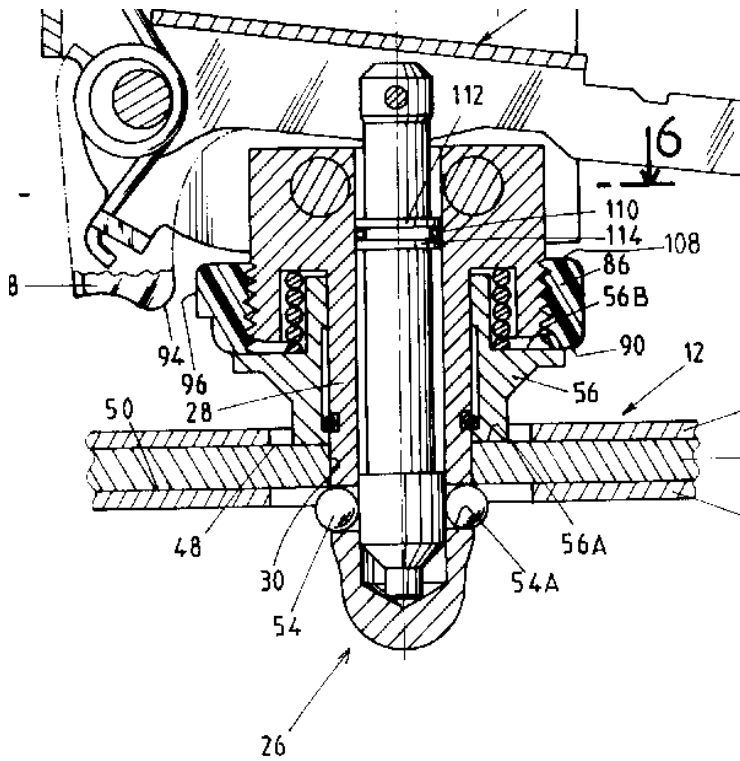
This place covers:

Illustrative example of subject matter classified in this group.



**B60N 2/01533****{using balls interlocking with notches}****Definition statement***This place covers:*

Illustrative example of subject matter classified in this group.

**References****Informative references***Attention is drawn to the following places, which may be of interest for search:*

Interlocking balls in general	<a href="#">E05B 63/121</a>
-------------------------------	-----------------------------

## B60N 2/01541

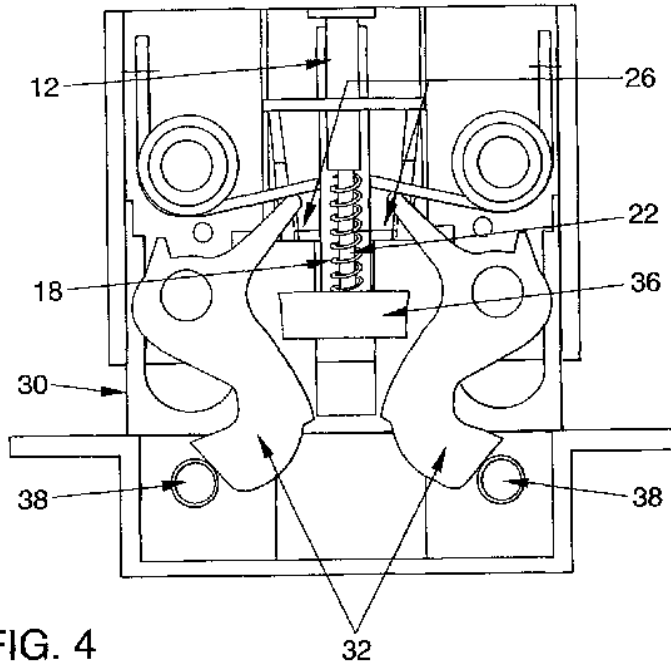
{using moving hooks ([B60N 2/01583](#) takes precedence)}

### Definition statement

*This place covers:*

Illustrative example of subject matter classified in this group.

Offenlegungstag: 21.



16



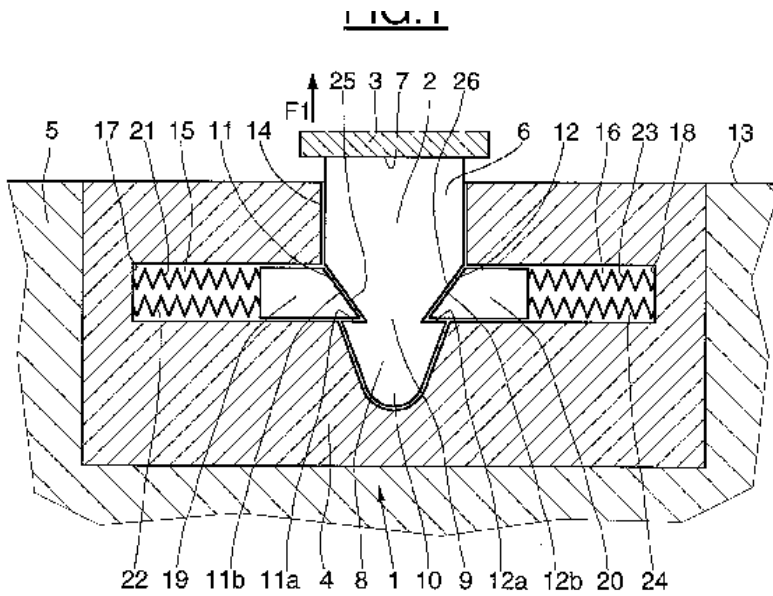
**B60N 2/0155**

{with the locking mechanism on the vehicle floor or rail}

**Definition statement**

*This place covers:*

Illustrative example of subject matter classified in this group.



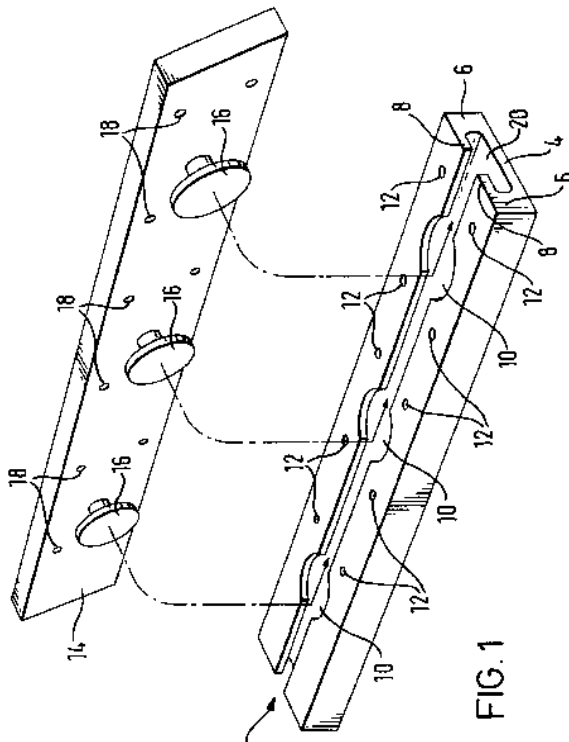
## B60N 2/01558

{with key and slot}

### Definition statement

*This place covers:*

Illustrative example of subject matter classified in this group.



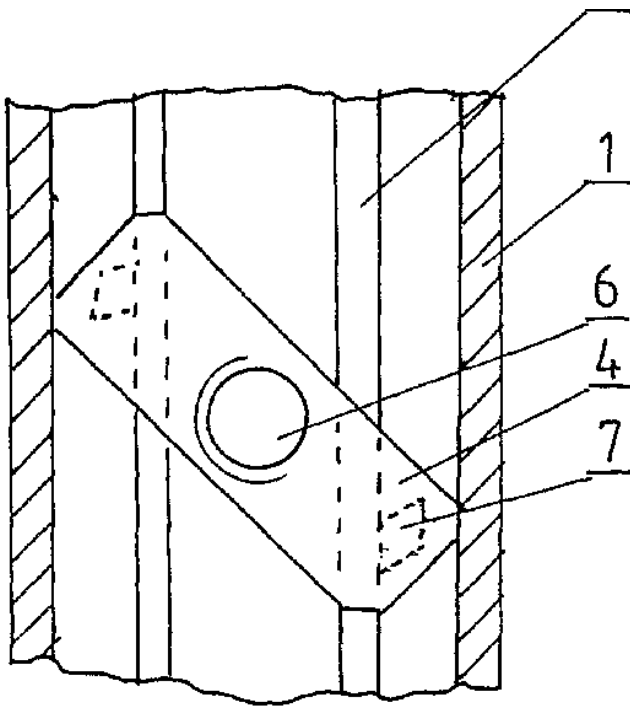
## B60N 2/01566

{key rotating about a vertical axis}

### Definition statement

*This place covers:*

Illustrative example of subject matter classified in this group.



## B60N 2/01575

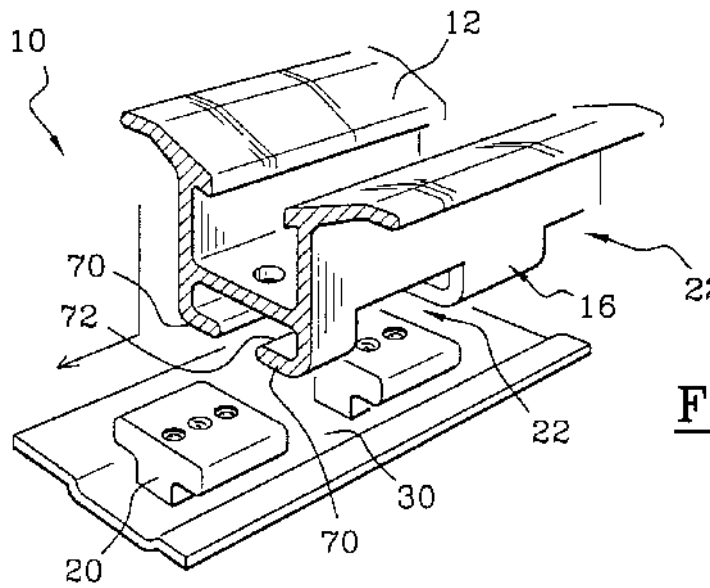
{key sliding inside the vehicle floor or rail}

### Definition statement

*This place covers:*

Illustrative example of subject matter classified in this group.

2/2



12

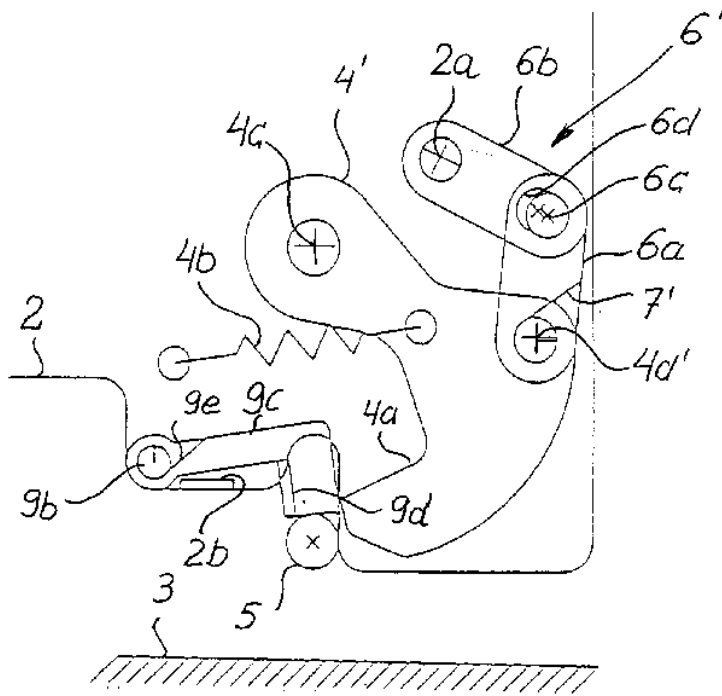
**B60N 2/01583**

{locking on transversal elements on the vehicle floor or rail, e.g. transversal rods}

**Definition statement**

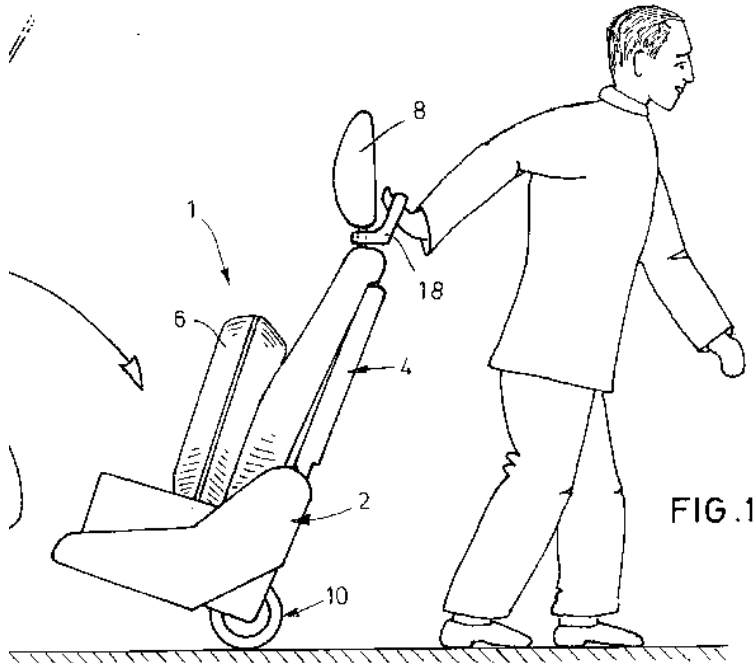
*This place covers:*

Illustrative example of subject matter classified in this group.



**B60N 2/01591****{with wheels coupled to the seat}****Definition statement***This place covers:*

Illustrative example of subject matter classified in this group.

**B60N 2/02**

the seat or part thereof being movable, e.g. adjustable (adjustable arm-rests [B60N 2/75](#); adjustable head-rests [B60N 2/806](#))

**References****Limiting references***This place does not cover:*

adjustable arm-rests	<a href="#">B60N 2/75</a>
adjustable head-rests	<a href="#">B60N 2/806</a>

**Informative references***Attention is drawn to the following places, which may be of interest for search:*

Seats or parts thereof displaced during a crash	<a href="#">B60N 2/427</a>
---	----------------------------

## B60N 2/0224

{Non-manual adjustments, e.g. with electrical operation}

### References

#### Informative references

Attention is drawn to the following places, which may be of interest for search:

Seat or part thereof being moved by a central command actuator to selectively switch on or engage one of several special purpose circuits or mechanisms	<a href="#">B60N 2/0296</a>
Seat suspension devices using fluid means	<a href="#">B60N 2/52</a>
Flexible bowed lumbar supports with motor driven adjustments	<a href="#">B60N 2/6673</a>
Slidable headrests characterised by adjusting mechanism, using electric motors	<a href="#">B60N 2/829</a>
Tiltable headrests characterised by adjusting mechanism, using electric motors	<a href="#">B60N 2/853</a>

## B60N 2/0244

{with logic circuits}

### Definition statement

This place covers:

Illustrative example of subject matter classified in this group.

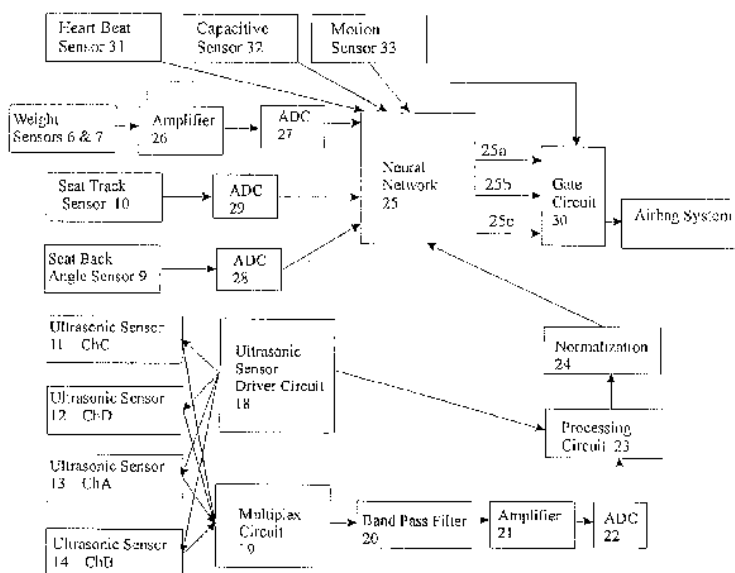


FIG. 3

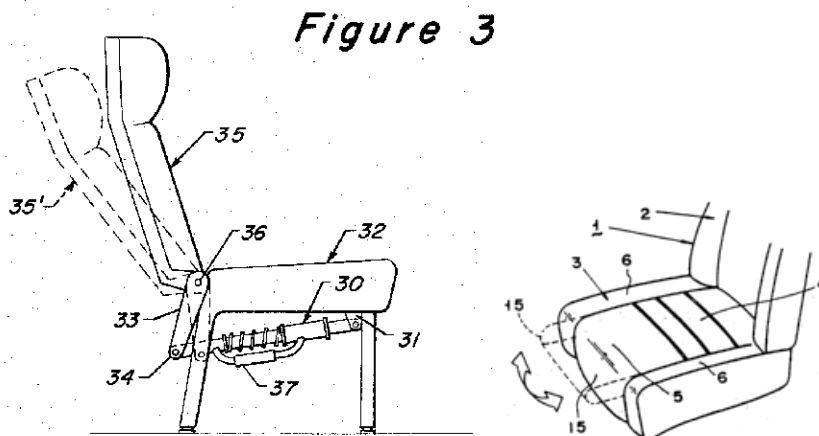
## B60N 2/028

{Elastically mounted back-rests}

### Definition statement

*This place covers:*

Illustrative example of subject matter classified in this group.



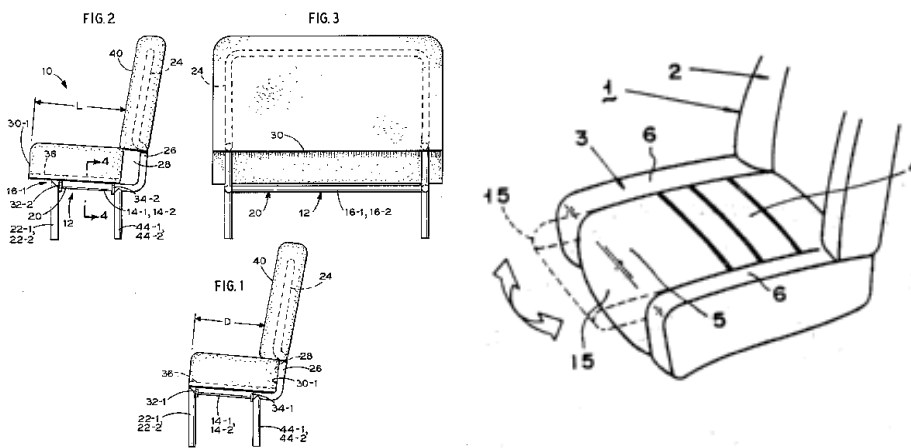
## B60N 2/0284

{Adjustable seat-cushion length ([B60N 2/0224](#) takes precedence)}

### Definition statement

*This place covers:*

Seats where the effective area of the seat is modified, e.g. by moving the back rest or by slidable extension parts, see illustrative examples of subject matter classified in this group.





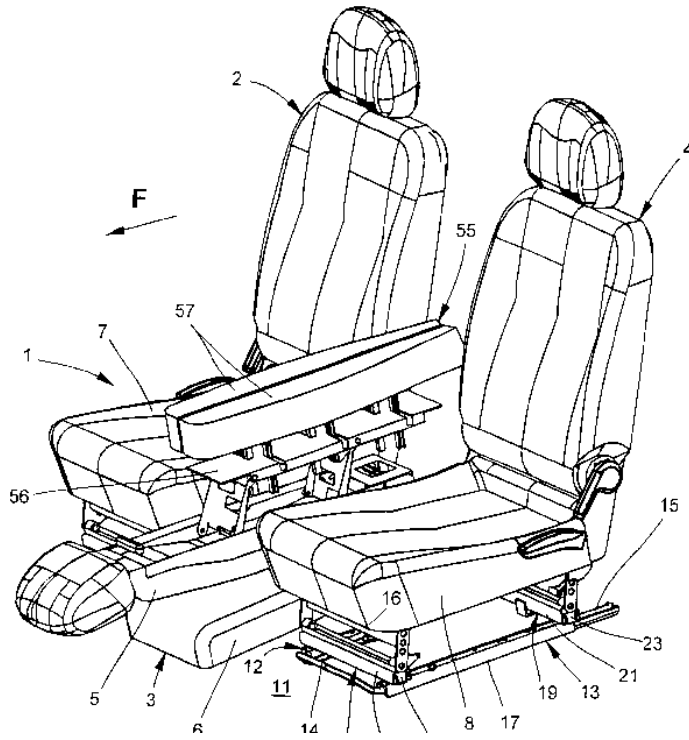
## B60N 2/0292

{Multiple configuration seats, e.g. for spacious vehicles or mini-buses}

### Definition statement

*This place covers:*

Illustrative example of subject matter classified in this group.



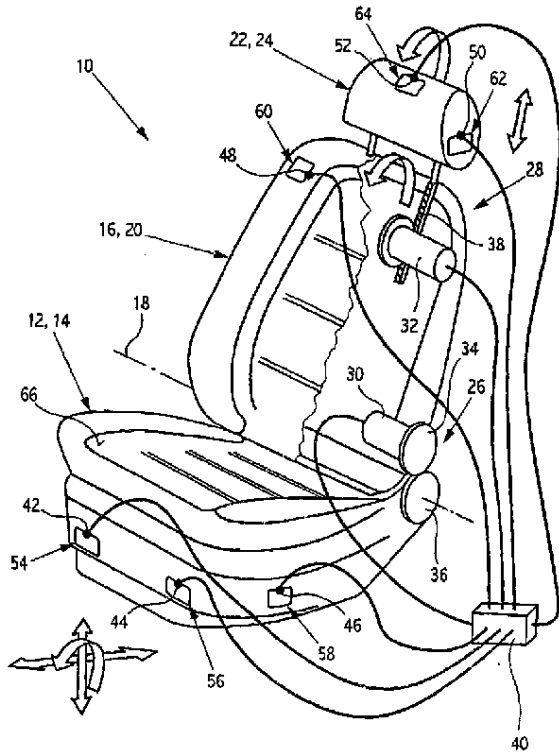
## B60N 2/0296

{Central command actuator to selectively switch on or engage one of several special purpose circuits or mechanisms}

### Definition statement

*This place covers:*

Illustrative example of subject matter classified in this group.



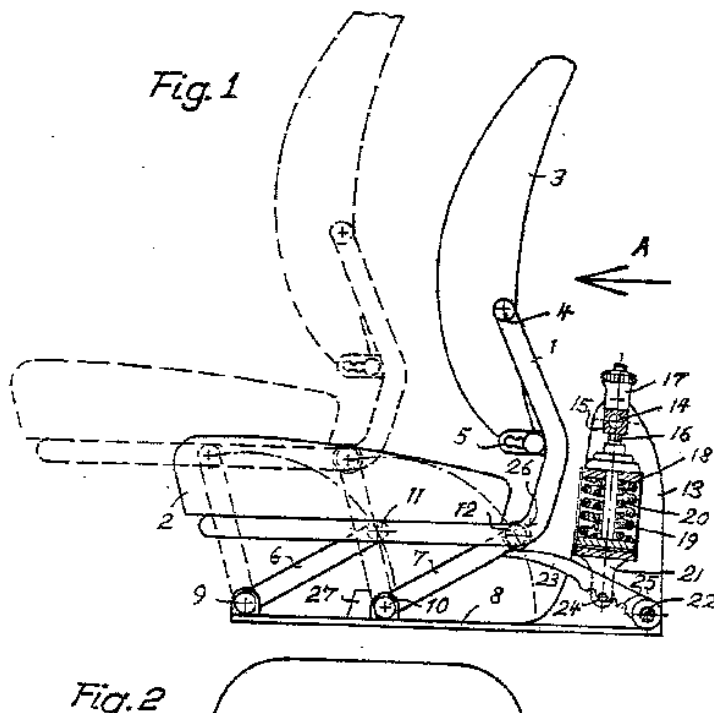
**B60N 2/045**

{Longitudinal adjustment by means of articulated rods supporting the seat, e.g. parallelogram mechanisms ([B60N 2/38](#) takes precedence)}

**Definition statement**

*This place covers:*

Illustrative example of subject matter classified in this group.



## B60N 2/067

{by linear actuators, e.g. linear screw mechanisms}

### Definition statement

*This place covers:*

Illustrative example of subject matter classified in this group.

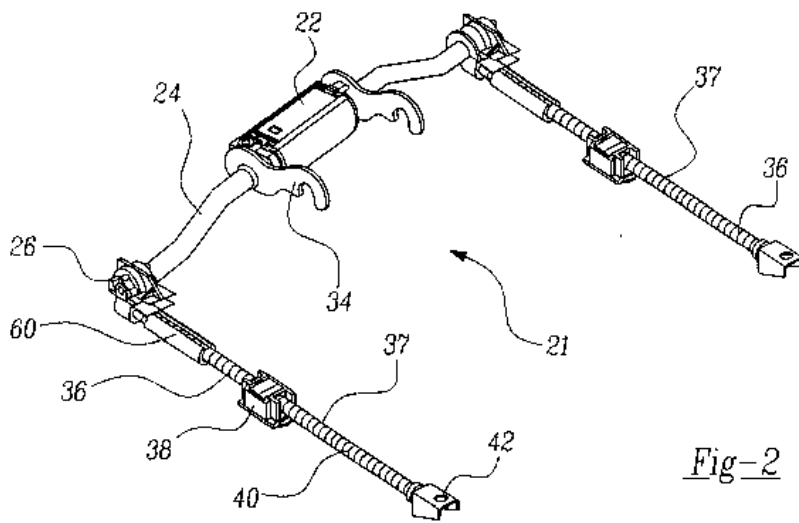


Fig-2

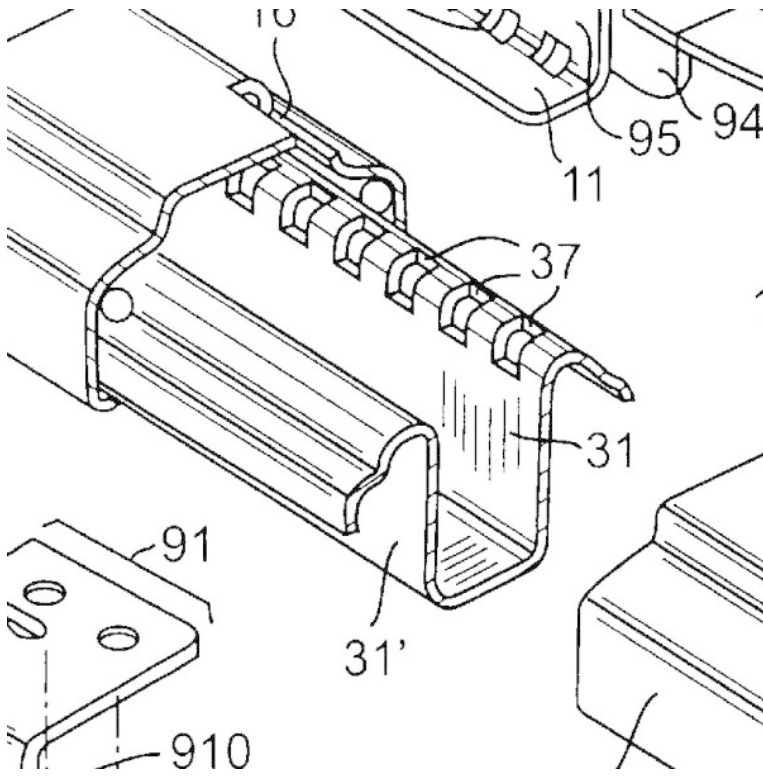
## B60N 2/0705

{omega-shaped}

### Definition statement

*This place covers:*

Illustrative example of subject matter classified in this group.



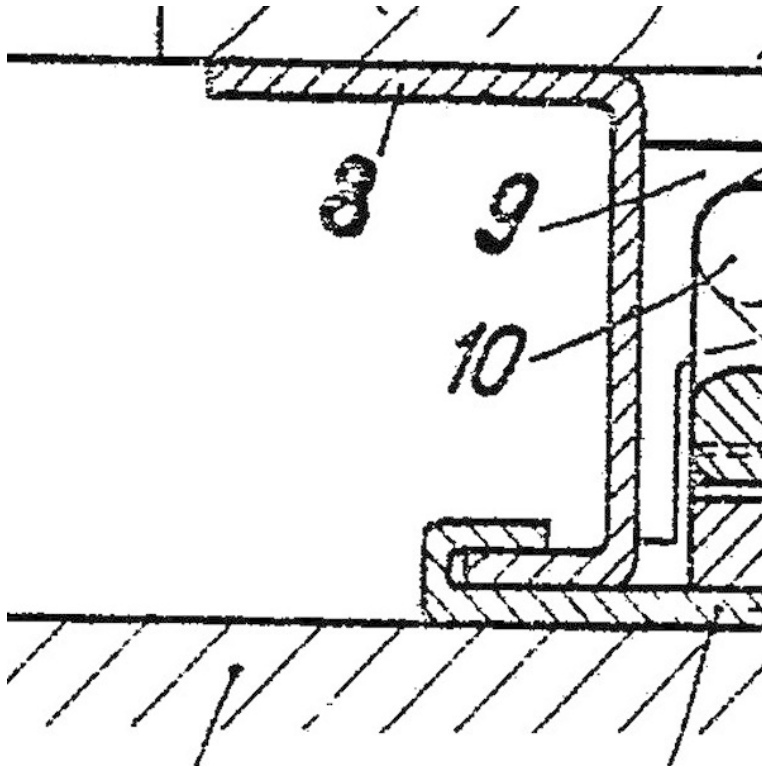
## B60N 2/0707

{J-shaped}

### Definition statement

*This place covers:*

Illustrative example of subject matter classified in this group.



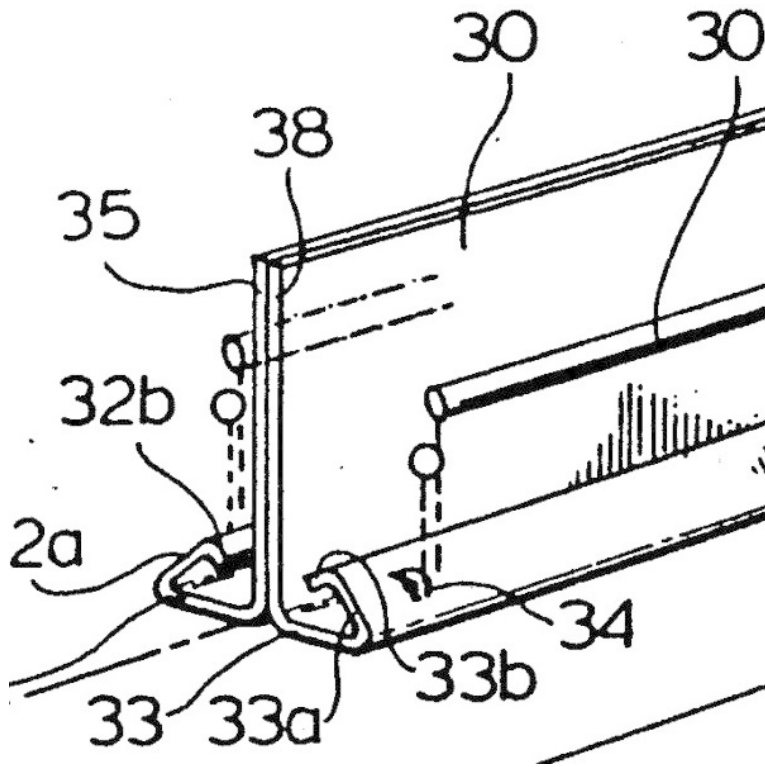
## B60N 2/071

{T-shaped}

### Definition statement

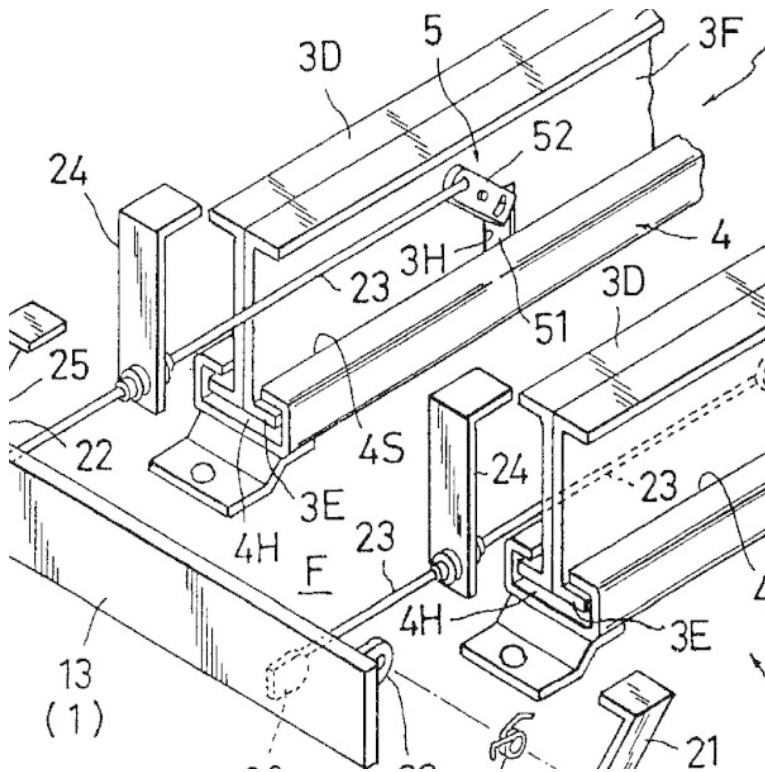
*This place covers:*

Illustrative example of subject matter classified in this group.



**B60N 2/0712****{H or double T-shaped}****Definition statement***This place covers:*

Illustrative example of subject matter classified in this group.





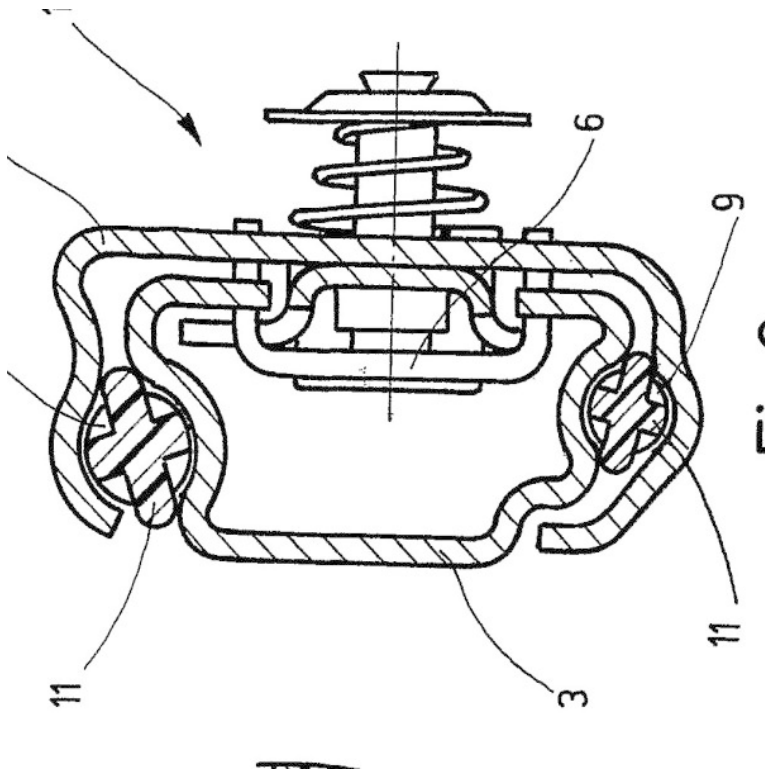
## B60N 2/0715

{C or U-shaped}

### Definition statement

*This place covers:*

Illustrative example of subject matter classified in this group.



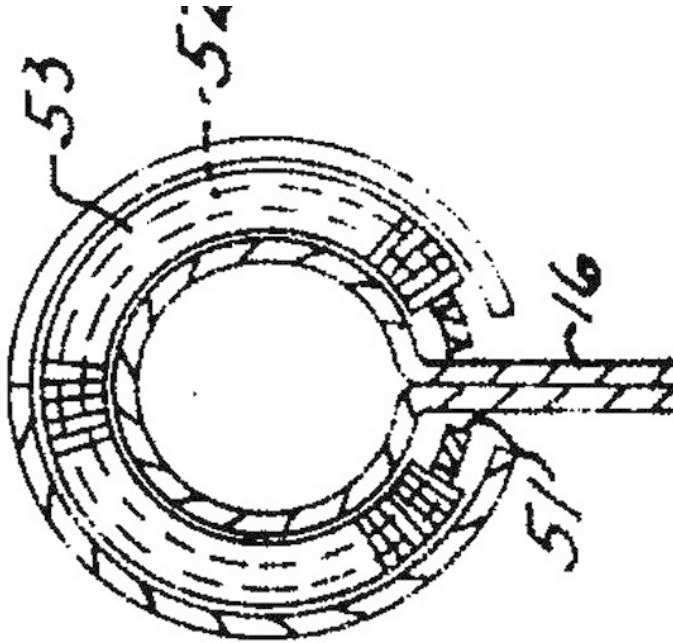
## B60N 2/0717

{Rounded, e.g. circular}

### Definition statement

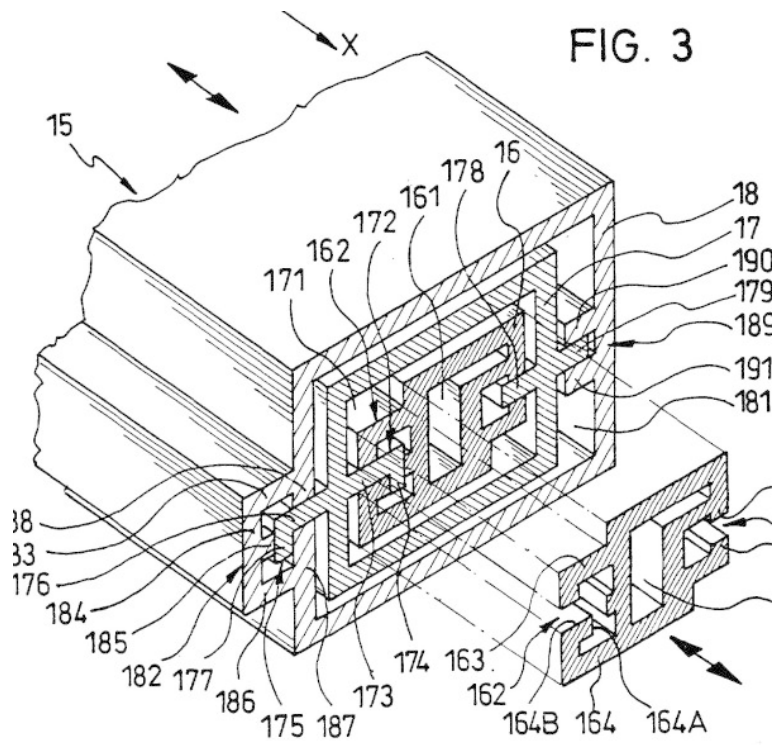
*This place covers:*

Illustrative example of subject matter classified in this group.



**B60N 2/072****{Complex cross-section, e.g. obtained by extrusion}****Definition statement***This place covers:*

Illustrative example of subject matter classified in this group.



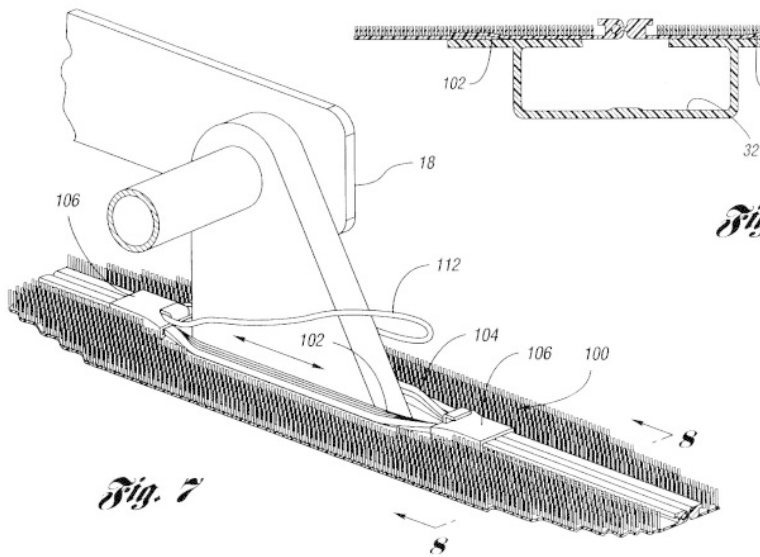
## B60N 2/0725

{Closing members for covering the slide}

### Definition statement

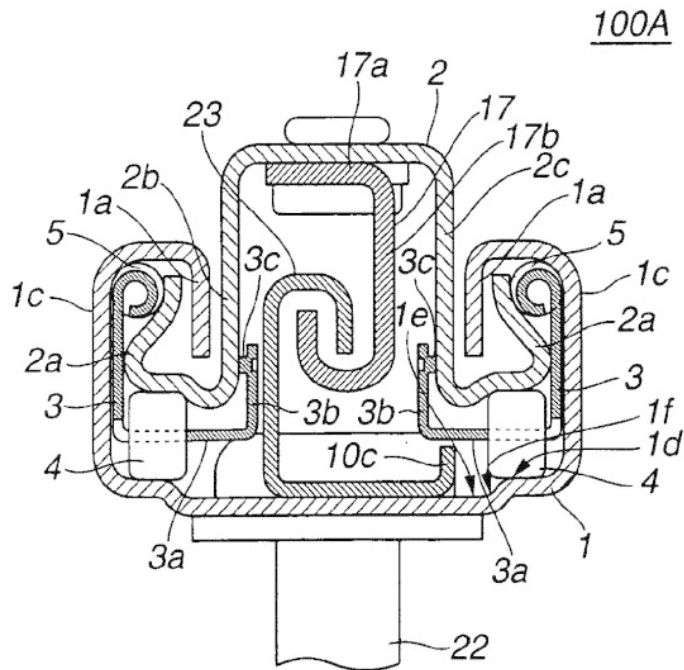
*This place covers:*

Illustrative example of subject matter classified in this group.



**B60N 2/073****{Reinforcement members preventing slide dislocation}****Definition statement***This place covers:*

Illustrative example of subject matter classified in this group.



## B60N 2/0732

{Attachment of seat frame to the slide, e.g. eyelets}

### Definition statement

*This place covers:*

Illustrative example of subject matter classified in this group.

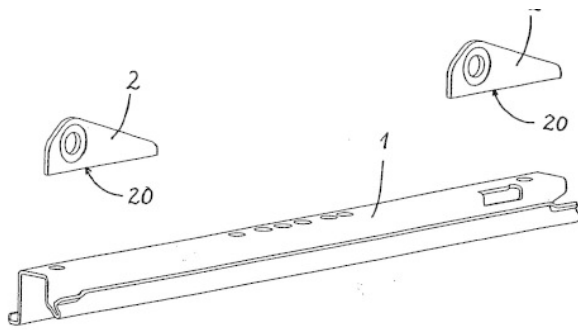
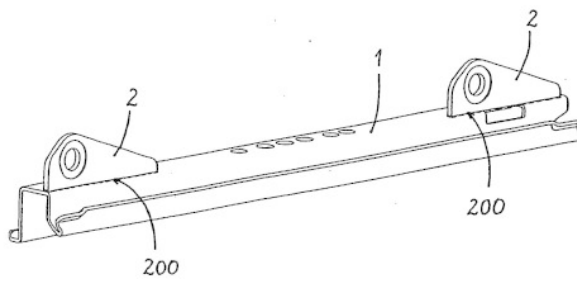


Fig. 1a



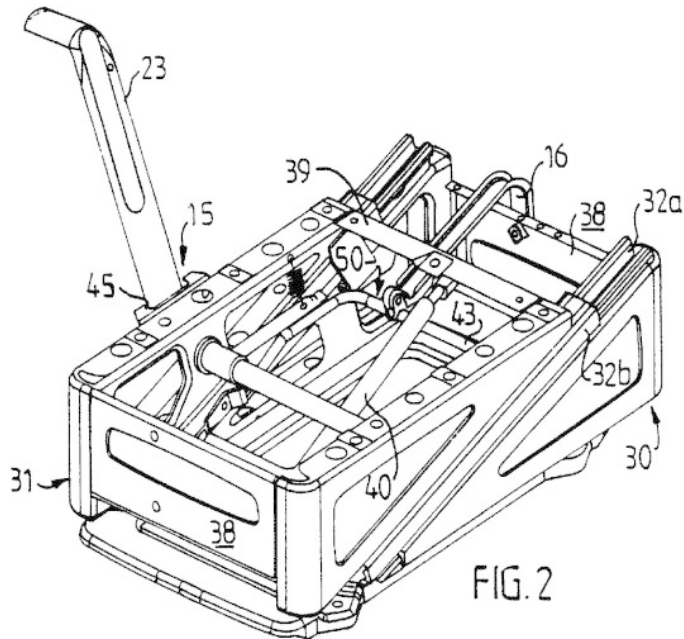
## B60N 2/074

{rotated about the transversal axis}

### Definition statement

*This place covers:*

Illustrative example of subject matter classified in this group.



**B60N 2/0742****{rotated about the vertical axis}****Definition statement***This place covers:*

Illustrative example of subject matter classified in this group.

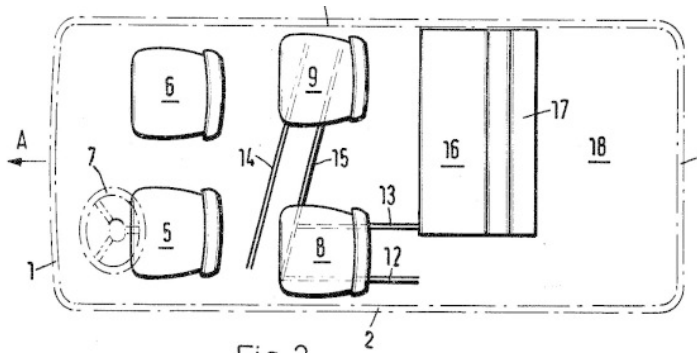


Fig. 2

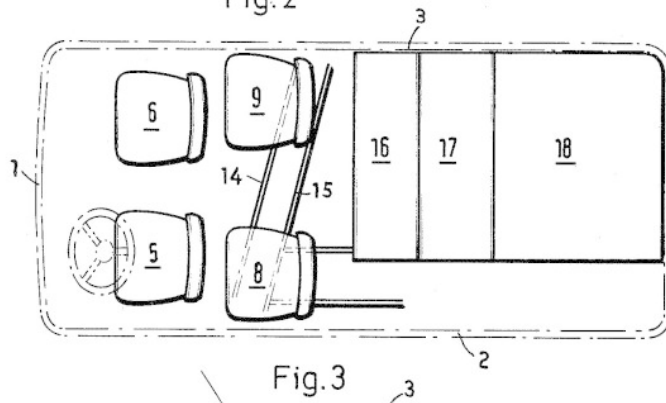
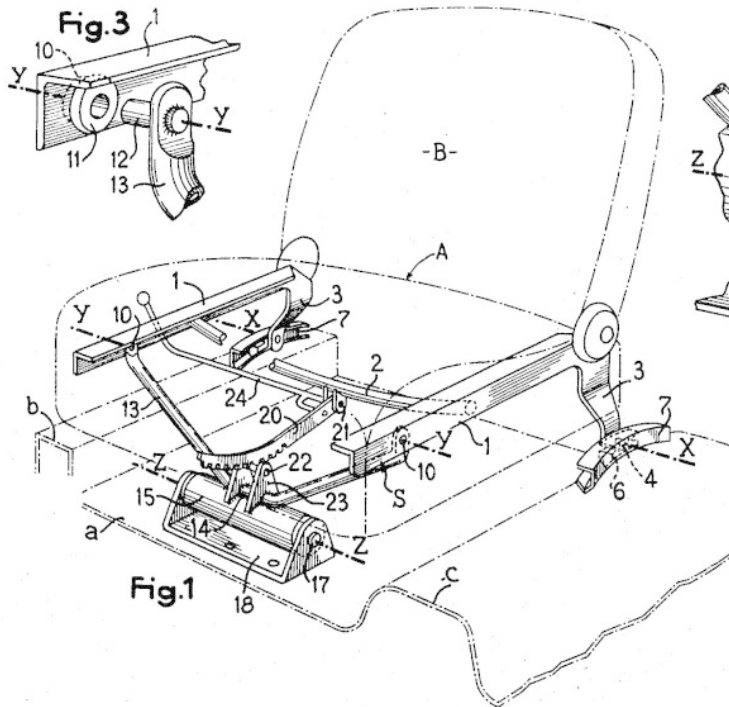


Fig. 3



**B60N 2/0745****{the slide path being curved}****Definition statement***This place covers:*

Illustrative example of subject matter classified in this group.



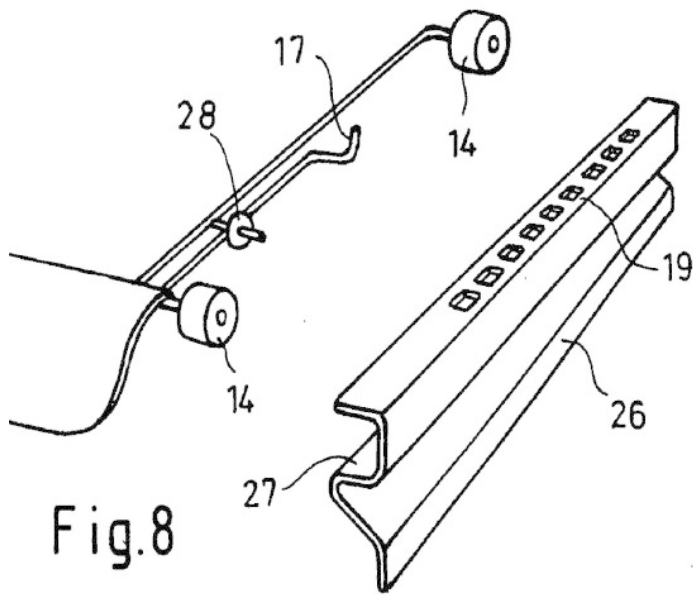
## B60N 2/0747

{the opening of the cross section being oriented in a direction different from the vertical, e.g. transversal}

### Definition statement

*This place covers:*

Illustrative example of subject matter classified in this group.



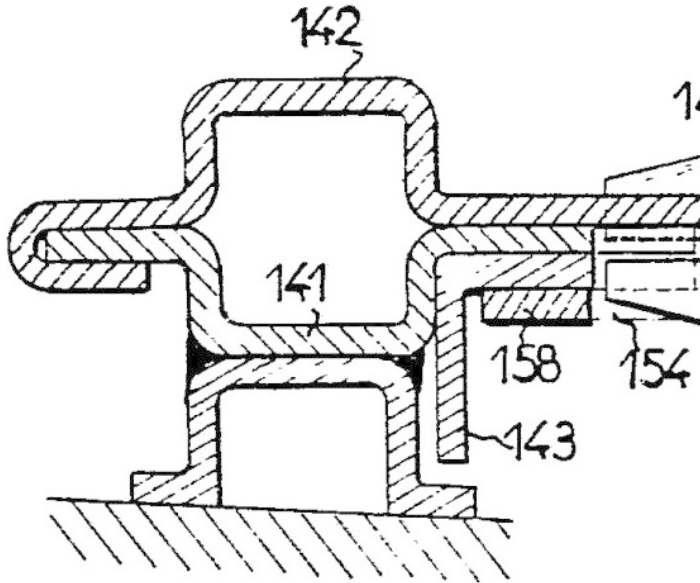
## B60N 2/075

roller-less

### Definition statement

*This place covers:*

Illustrative example of subject matter classified in this group.



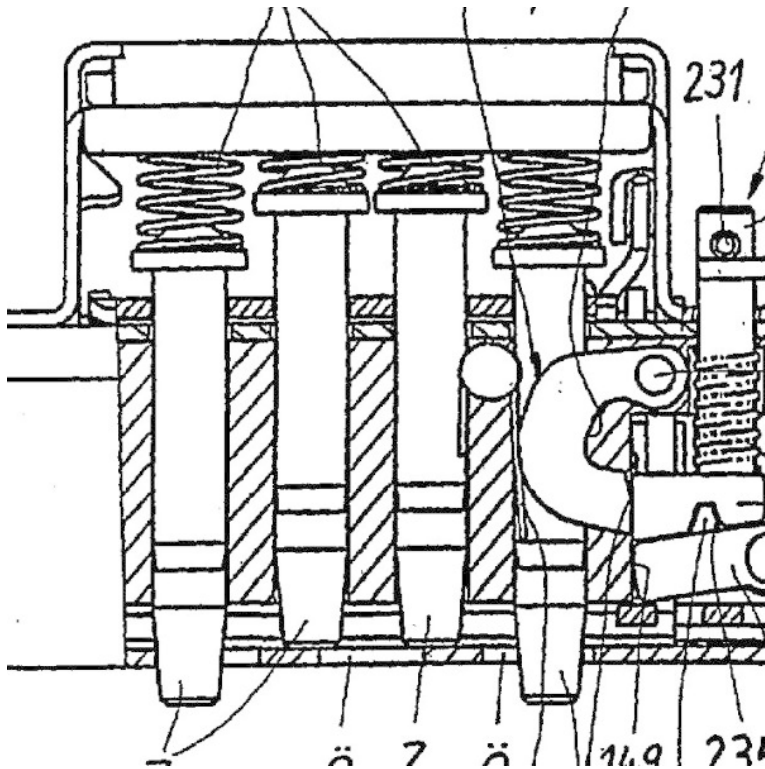
## B60N 2/0806

{with pin alignment systems, e.g. with at least one of a plurality of locking pins always aligned w.r.t. at least one of a plurality of pin-receiving elements}

### Definition statement

*This place covers:*

Illustrative example of subject matter classified in this group.



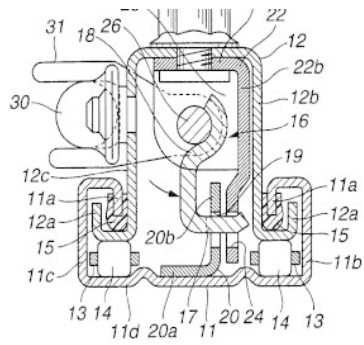
## B60N 2/0818

{inside the rail}

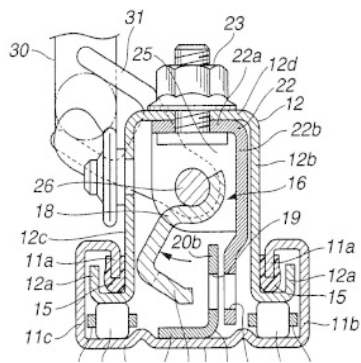
### Definition statement

*This place covers:*

Illustrative example of subject matter classified in this group.

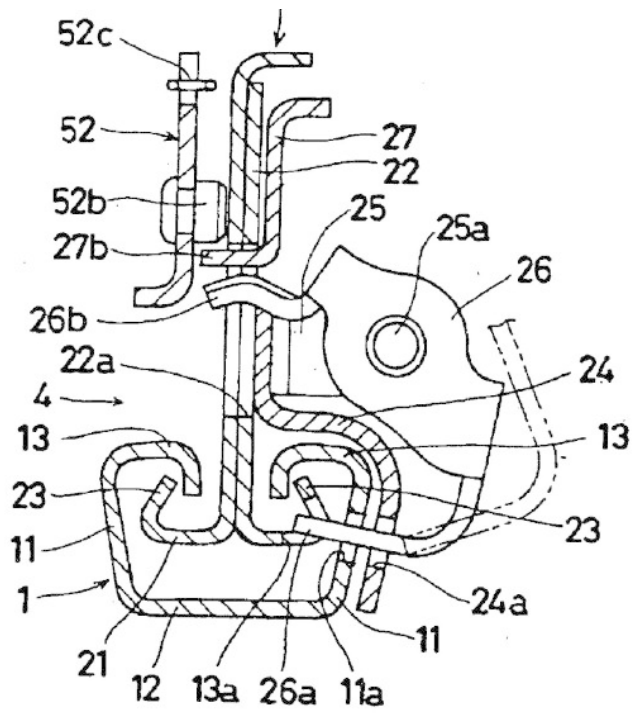


**FIG.4**



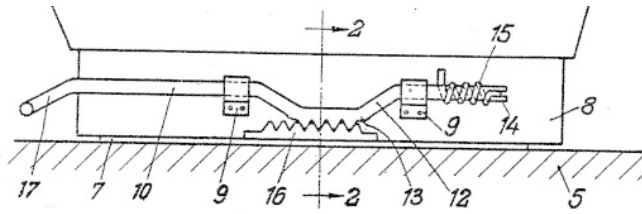
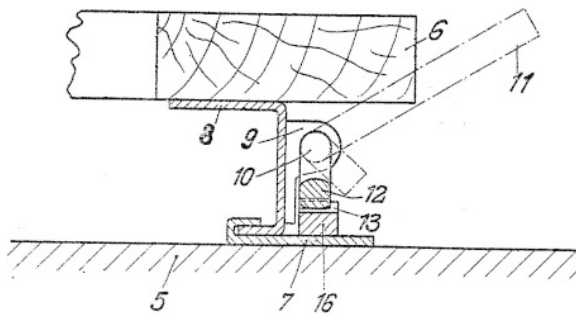
**B60N 2/0825****{outside the rail}****Definition statement***This place covers:*

Illustrative example of subject matter classified in this group.



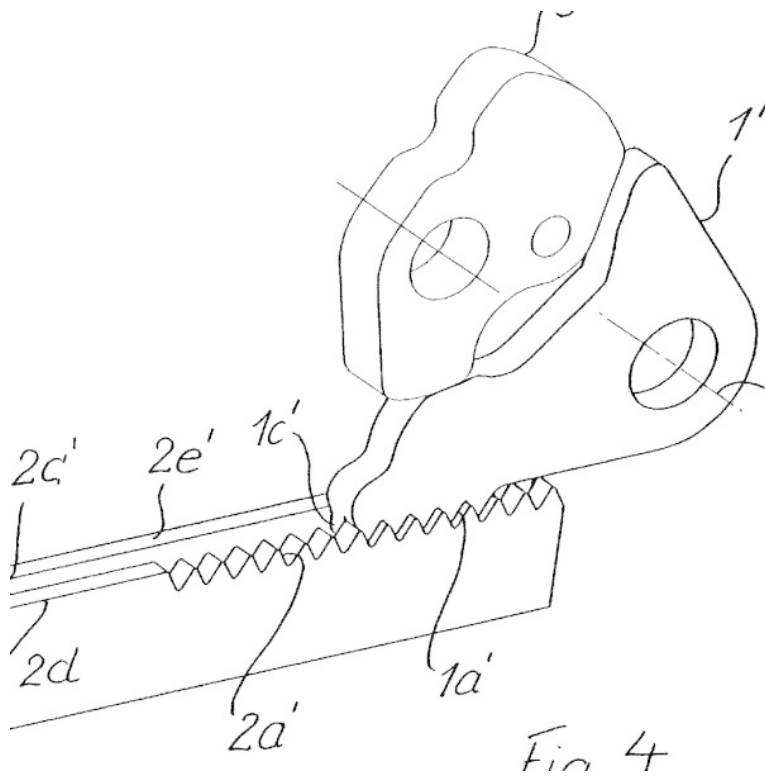
**B60N 2/0843****{about a longitudinal axis}****Definition statement***This place covers:*

Illustrative example of subject matter classified in this group.

*Bild 2*

**B60N 2/085****{about a transversal axis}****Definition statement***This place covers:*

Illustrative example of subject matter classified in this group.





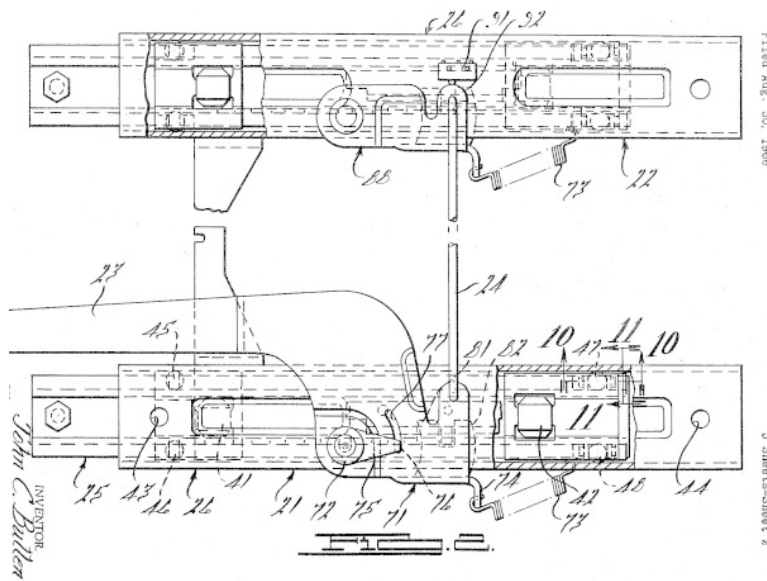
## B60N 2/0856

{about a vertical axis}

### Definition statement

This place covers:

Illustrative example of subject matter classified in this group.



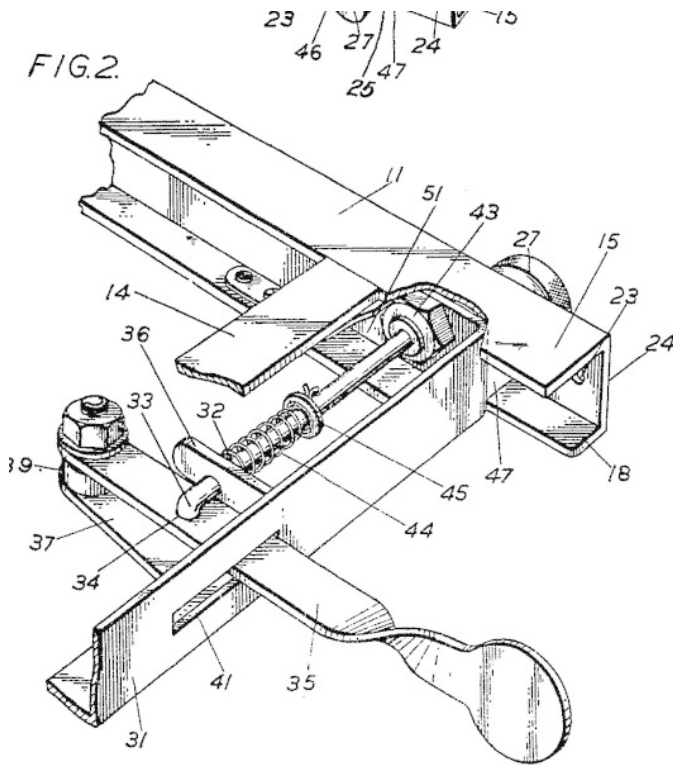
## B60N 2/0868

{in a transversal direction}

### Definition statement

*This place covers:*

Illustrative example of subject matter classified in this group.



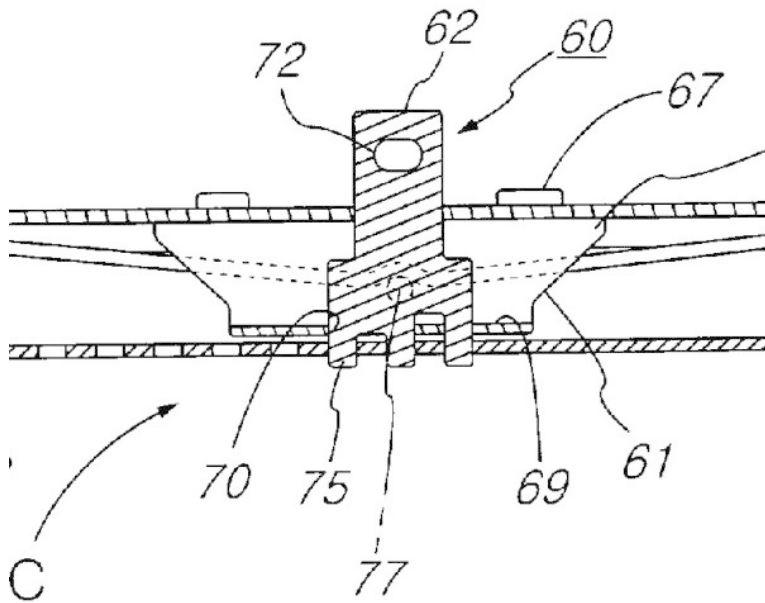
## B60N 2/0875

{in a vertical direction}

### Definition statement

*This place covers:*

Illustrative example of subject matter classified in this group.



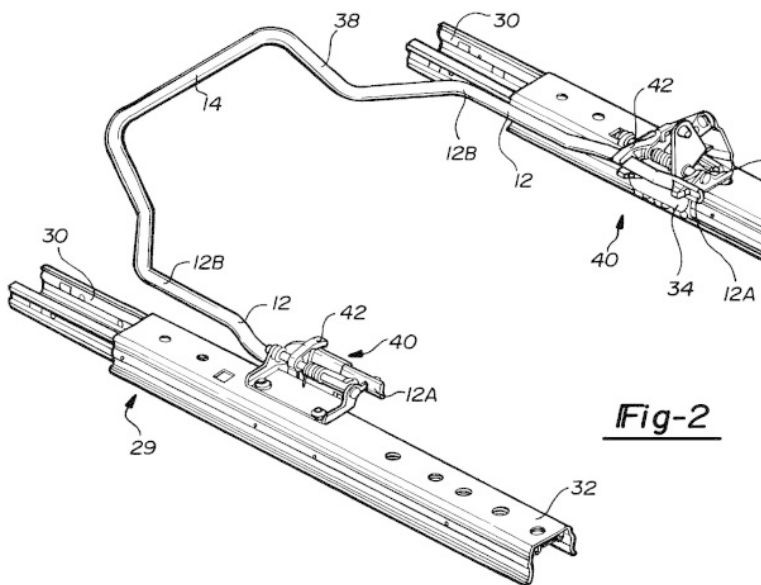
## B60N 2/0887

{with synchronised movements}

### Definition statement

*This place covers:*

Illustrative example of subject matter classified in this group.



**Fig-2**

**B60N 2/0893**

{allowing independent movement of the latches, e.g. to recover tolerance errors}

**Definition statement**

*This place covers:*

Illustrative example of subject matter classified in this group.

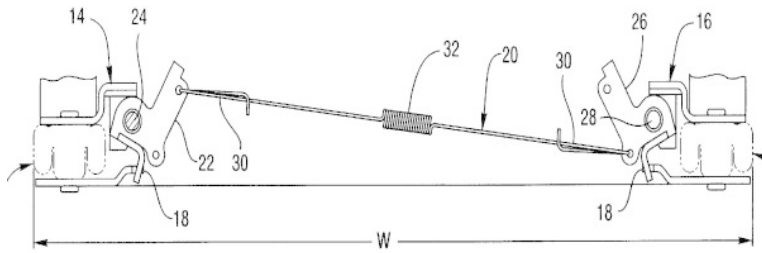


FIG. 2

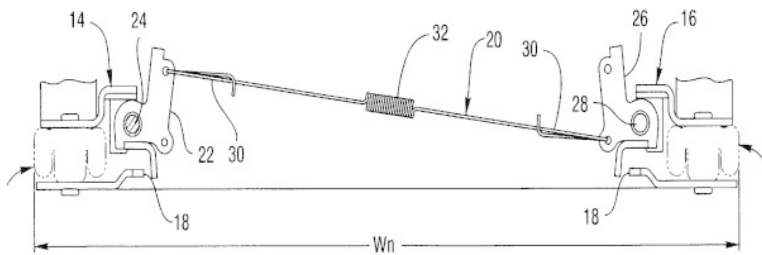


FIG. 3

**B60N 2/10**

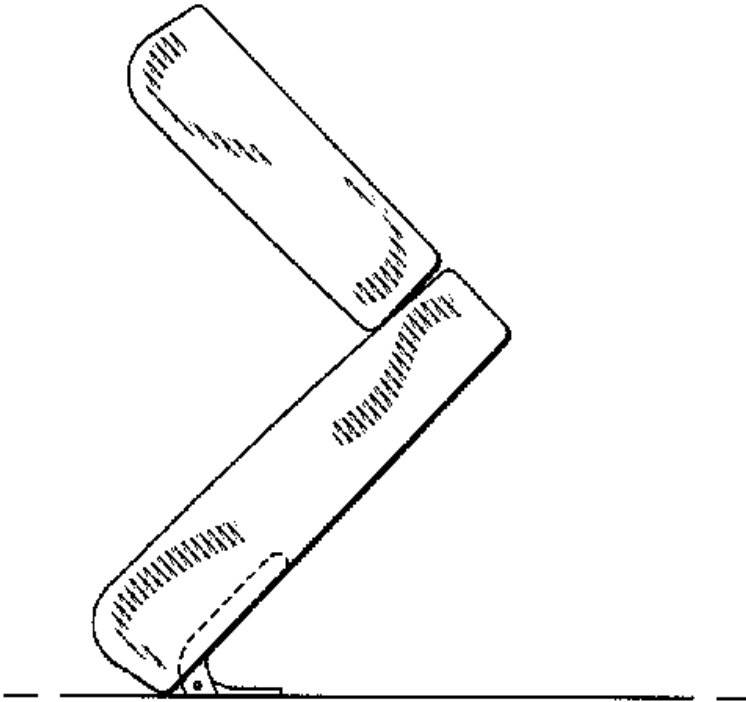
tiltable ([B60N 2/12](#) {, [B60N 2/2875](#)} take precedence)

**Definition statement**

*This place covers:*

Seats which are tiltable as a whole unit.

Illustrative example of subject matter classified in this group.



## References

### Limiting references

*This place does not cover:*

Seats being tiltable and slidable	<a href="#">B60N 2/12</a>
Tiltable seats for children mounted on existing seats	<a href="#">B60N 2/2875</a>

### Informative references

*Attention is drawn to the following places, which may be of interest for search:*

Seat being rotatable about an at least partly vertical axis	<a href="#">B60N 2/14</a>
Back-rest being tiltable	<a href="#">B60N 2/20</a>
Back-rest being adjustable	<a href="#">B60N 2/22</a>

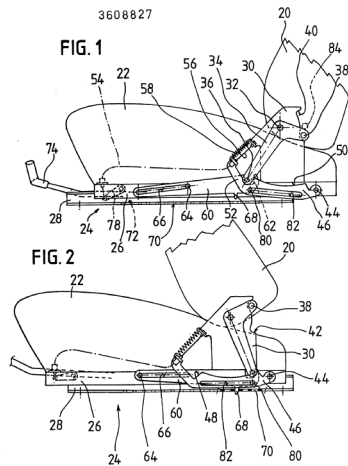
## B60N 2/12

### slidable and tiltable

#### Definition statement

*This place covers:*

Seats when where the whole seat is slidable and the whole seat or a part of it e.g. back-rest is tiltable about a horizontal axle. In this group there are in particular seats with "easy access" position.



#### References

##### Limiting references

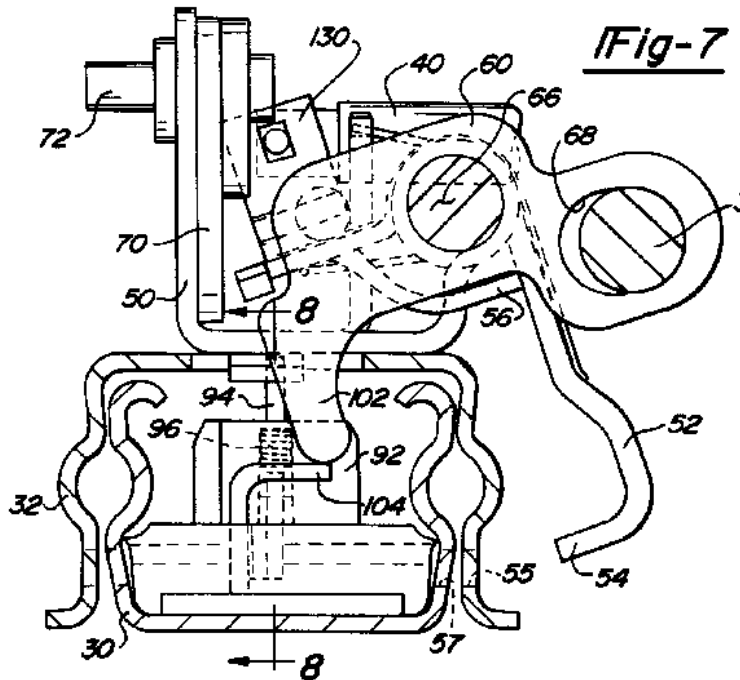
*This place does not cover:*

Seats where the backrest is tiltable or the inclination angle is adjustable, but where the seat is not slidable or where is no focus on the sliding of the seat.
--

<a href="#">B60N 2/20</a> , <a href="#">B60N 2/22</a>
---

**B60N 2/123****{and provided with memory locks}****Definition statement***This place covers:*

Slidable and tiltable seats moving as a whole characterised by memory locks, see illustrative example of subject matter classified in this group.

**Glossary of terms**

*In this place, the following terms or expressions are used with the meaning indicated:*

Memory lock	a lock mechanism which helps the user to get a seat which was moved from a first position to a second position back from the second position exactly to the first position
-------------	--



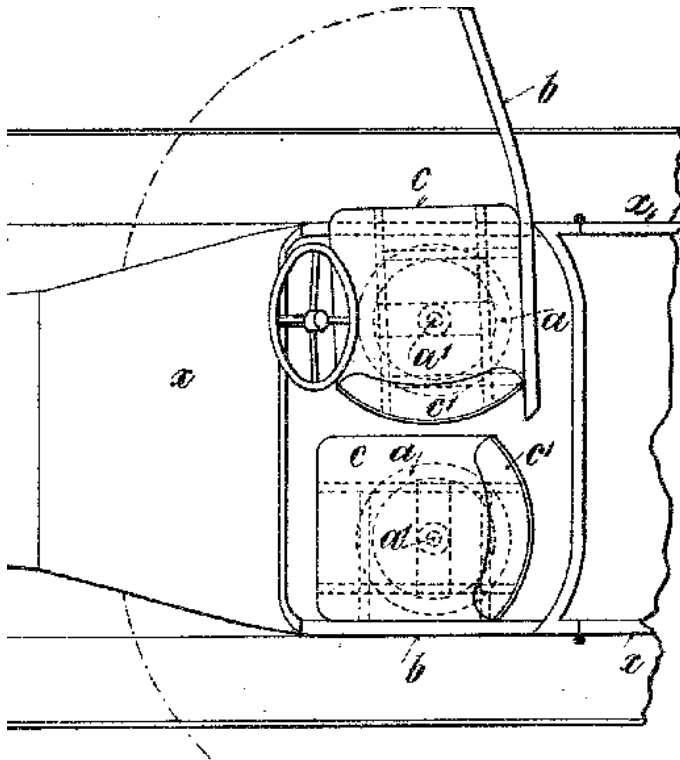
## B60N 2/14

rotatable, e.g. to permit easy access ([B60N 2/10](#) {, [B60N 2/2869](#)} take precedence)

### Definition statement

*This place covers:*

Illustrative example of subject matter classified in this group.



### References

#### Limiting references

*This place does not cover:*

The whole seat being rotatable and tiltable	<a href="#">B60N 2/10</a>
Seats for children rotatable about a vertical axis and mounted on existing seats	<a href="#">B60N 2/2869</a>

### Glossary of terms

*In this place, the following terms or expressions are used with the meaning indicated:*

Easy access	easy access to the seat which is rotated (e.g. for children or handicapped people)
-------------	--

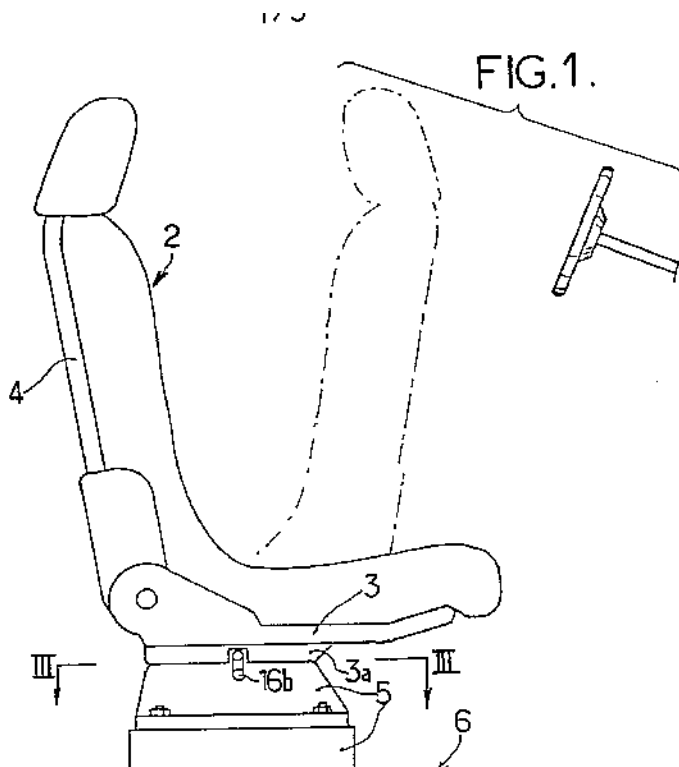
**B60N 2/143**

{taking a position opposite to the original one}

**Definition statement**

*This place covers:*

Illustrative example of subject matter classified in this group.

**B60N 2/146**

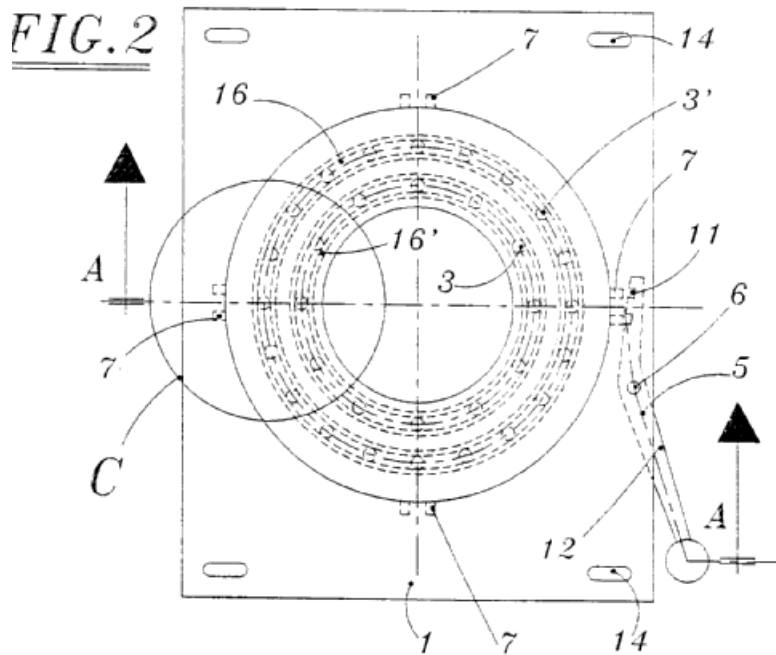
{characterised by the locking device}

**Definition statement**

*This place covers:*

Locking means between the seat and the base, e.g. the floor, in order to avoid rotation around the vertical axis of the seat.

Illustrative example of subject matter classified in this group.



## B60N 2/168

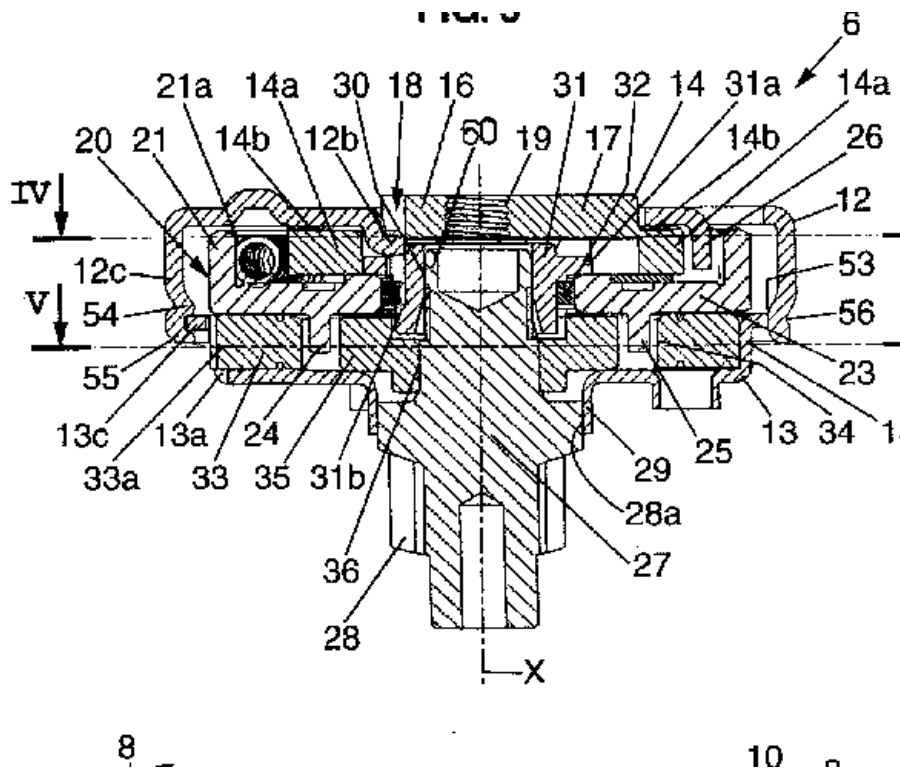
{and provided with braking systems}

### Definition statement

*This place covers:*

Height-adjustable seats with special means for slowing down or stopping the up and down movement of the seat.

Illustrative example of subject matter classified in this group.



### Relationships with other classification places

Devices where gear pawl-type mechanisms or latch and catch mechanisms form the only means to prevent rotational movement are not considered as brake mechanisms in this group and are classified in [B60N 2/169](#). Locking means are classified in [B60N 2/1685](#)

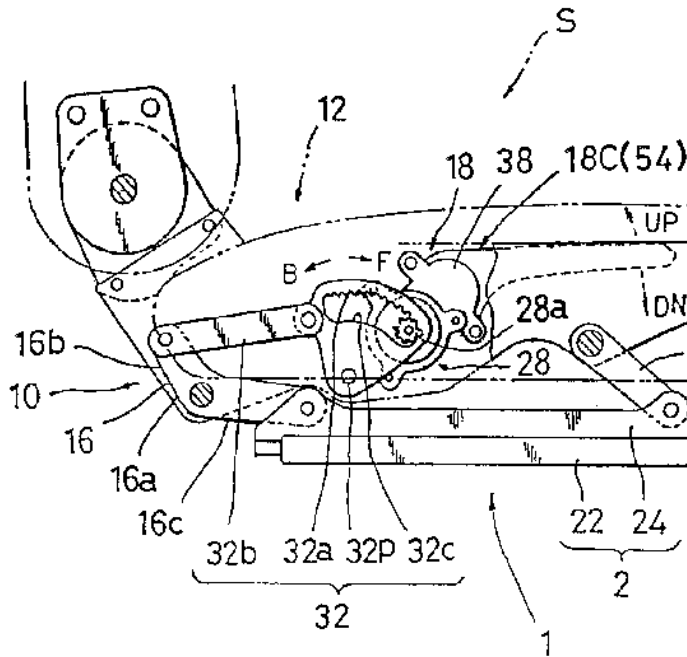
## B60N 2/169

{Stepwise movement mechanisms, e.g. ratchets ([B60N 2/167](#) takes precedence)}

### Definition statement

*This place covers:*

Illustrative example of subject matter classified in this group.



### References

#### Informative references

Attention is drawn to the following places, which may be of interest for search:

Ratchets in general	<a href="#">G05G 7/06</a>
---------------------	---------------------------

## B60N 2/1889

{and provided with braking systems}

### Relationships with other classification places

Devices where gear pawl-type mechanisms or latch and catch mechanisms form the only means to prevent rotational movement are not considered as brake mechanisms in this group and are classified in [B60N 2/1896](#). Locking means are classified in [B60N 2/1892](#).

**B60N 2/1896**

{Stepwise movement mechanisms, e.g. ratchets ([B60N 2/1882](#) takes precedence)}

**References****Limiting references**

*This place does not cover:*

The front or the rear portion of the seat being adjustable by ratchet mechanism	<a href="#">B60N 2/1882</a>
---	-----------------------------

**Informative references**

*Attention is drawn to the following places, which may be of interest for search:*

Ratchets in general	<a href="#">G05G 7/06</a>
---------------------	---------------------------

**B60N 2/20**

the back-rest being tiltable, e.g. to permit easy access ([B60N 2/04](#), [B60N 2/22](#) {, [B60N 2/3002](#)} take precedence)

**References****Limiting references**

*This place does not cover:*

Tiltable back-rests wherein the whole seat is movable	<a href="#">B60N 2/04</a>
Adjustable back-rests	<a href="#">B60N 2/22</a>
Back-rest movements in non-dismountable seats storable in a non-use position	<a href="#">B60N 2/3002</a>

**Special rules of classification**

The aspects concerning the electrical operation of the mechanisms are classified in [B60N 2/0224](#)

**Glossary of terms**

*In this place, the following terms or expressions are used with the meaning indicated:*

Back-rest being tiltable	back-rest tiltable about a substantially horizontal axle
Easy access	easy access to the seats behind the one of which the back-rest is tilted

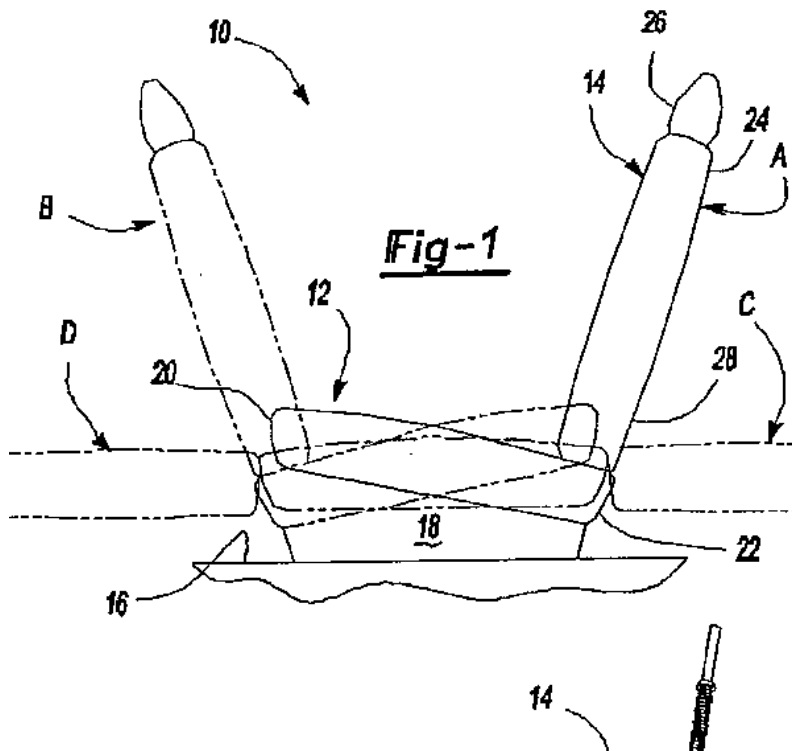
## B60N 2/203

{taking a position opposite to the original one}

### Definition statement

*This place covers:*

Illustrative example of subject matter classified in this group.



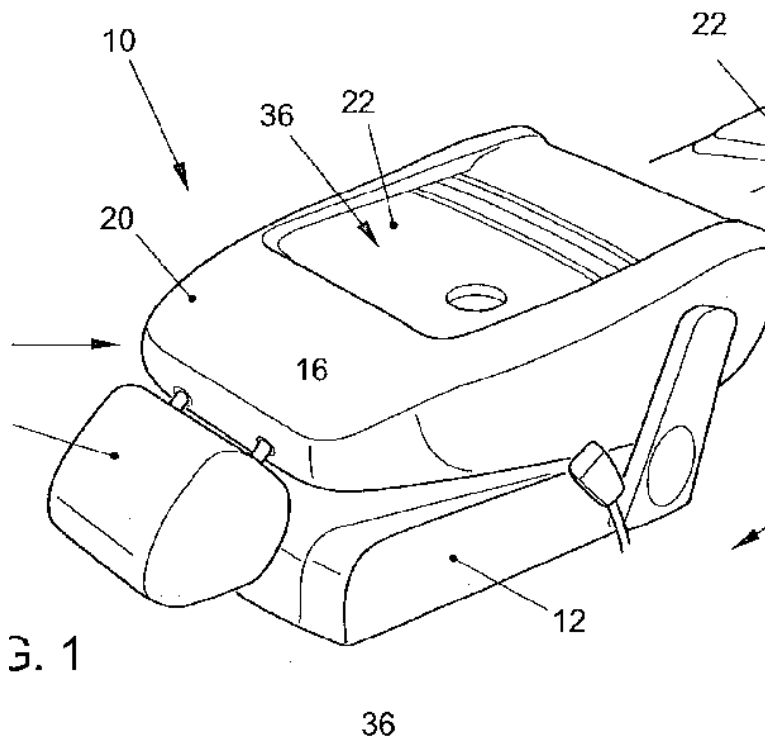
## B60N 2/206

{to a position in which it can be used as a support for objects, e.g. as a tray}

### Definition statement

*This place covers:*

Illustrative example of subject matter classified in this group.





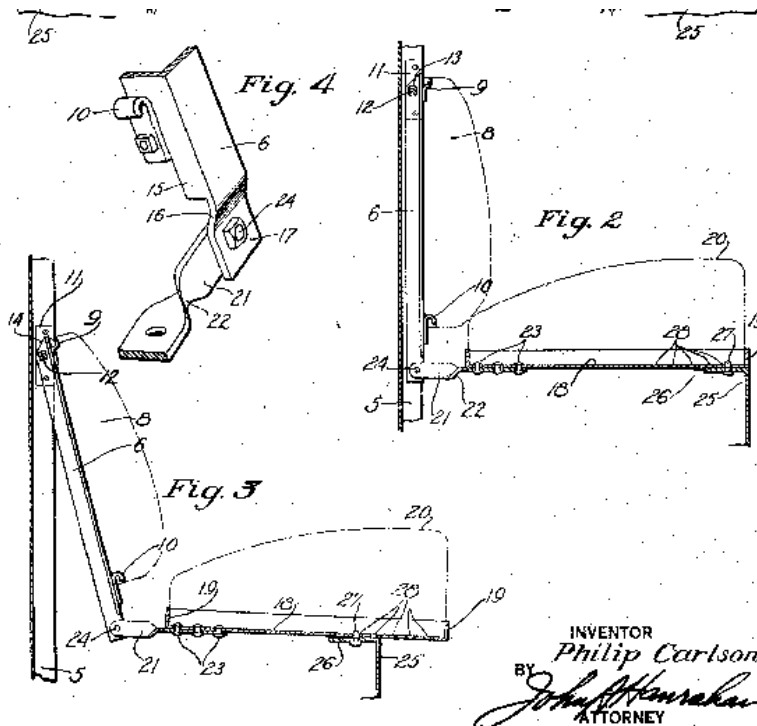
**B60N 2/2209**

{by longitudinal displacement of the cushion, e.g. back-rest hinged on the bottom to the cushion and linked on the top to the vehicle frame}

**Definition statement**

*This place covers:*

Illustrative example of subject matter classified in this group.

**B60N 2/2213**

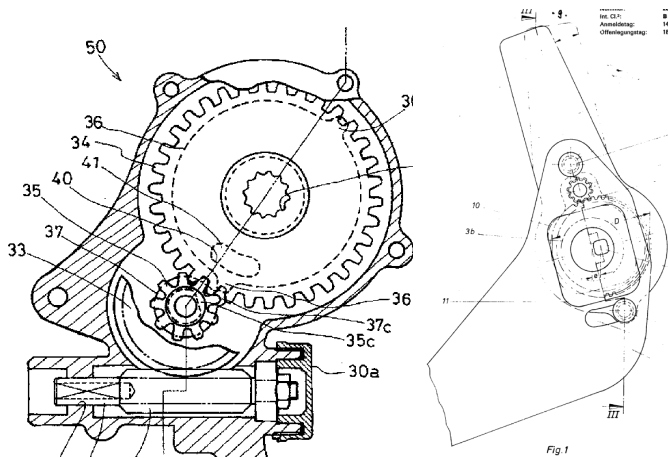
{Gear wheel driven mechanism ([B60N 2/2231](#), [B60N 2/225](#) take precedence)}

**Definition statement**

*This place covers:*

Mechanisms comprising gear wheels for adjusting the back-rest.

Illustrative examples of subject matter classified in this group.



**References**

**Limiting references**

*This place does not cover:*

Worm and worm gear articulations	<a href="#">B60N 2/2231</a>
Cycloidal or planetary mechanisms	<a href="#">B60N 2/225</a>

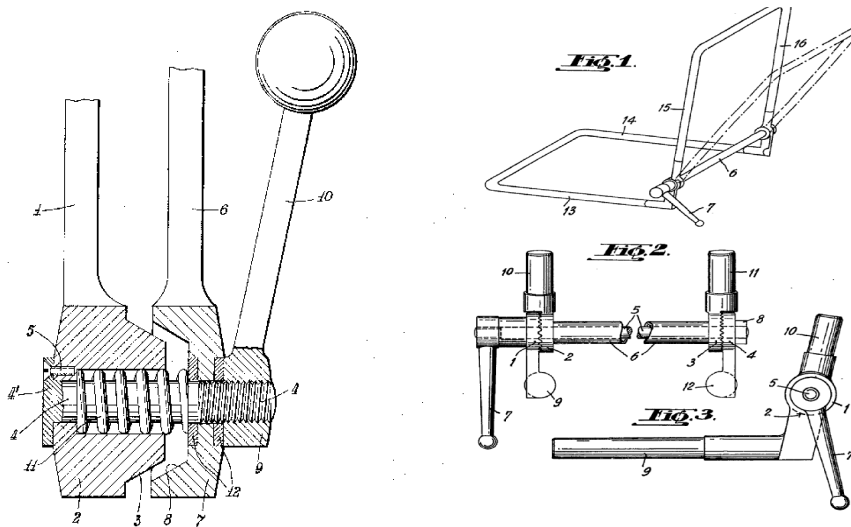
**B60N 2/2218**

{Transversally moving locks}

**Definition statement**

*This place covers:*

Illustrative example of subject matter classified in this group.



## B60N 2/2222

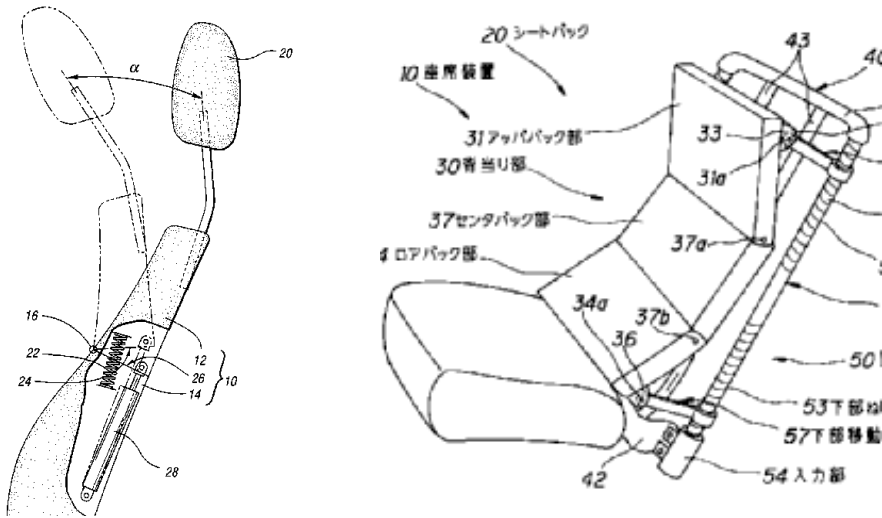
{the back-rest having two or more parts}

### Definition statement

*This place covers:*

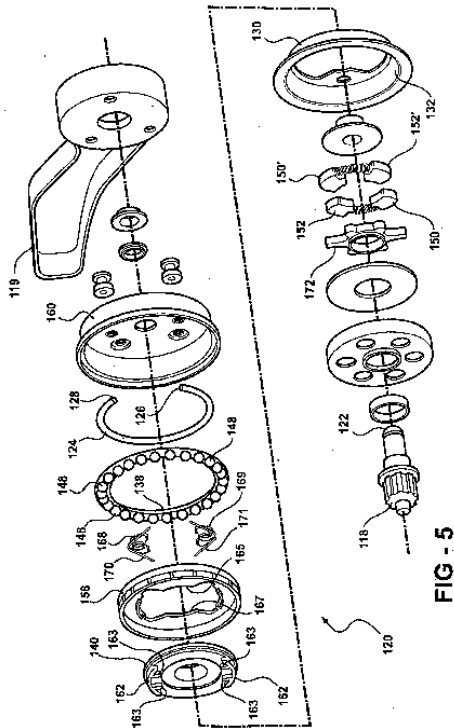
Seat backs which are in themselves (not considering the headrest) divided in a plurality of parts e.g. to improve the ergonomics

Illustrative example of subject matter classified in this group.



**B60N 2/227****{and provided with braking systems}****Definition statement***This place covers:*

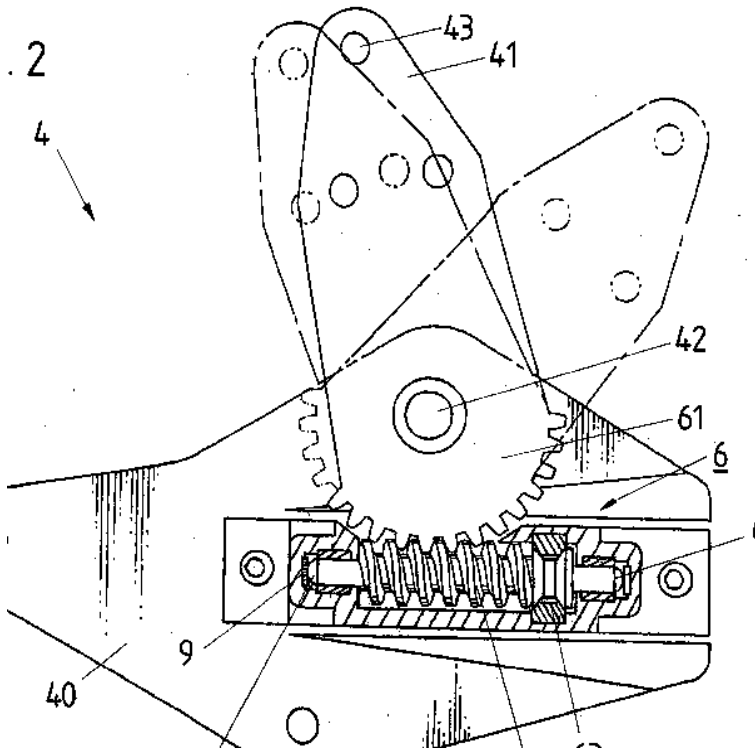
Devices for blocking movement of the back-rest by friction. Example figure shows friction brake therefore:

**FIG - 5****Relationships with other classification places**

Devices where gear pawl-type mechanisms or latch and catch mechanisms form the only means to prevent rotational movement are not considered as brake mechanisms in this group and are classified in [B60N 2/235](#) or subgroups thereof. Latch or catch mechanisms are classified if appropriate in [B60N 2/2218](#) or [B60N 2/224](#).

**B60N 2/2231****{Worm and worm gear articulations}****Definition statement***This place covers:*

Illustrative example of subject matter classified in this group.



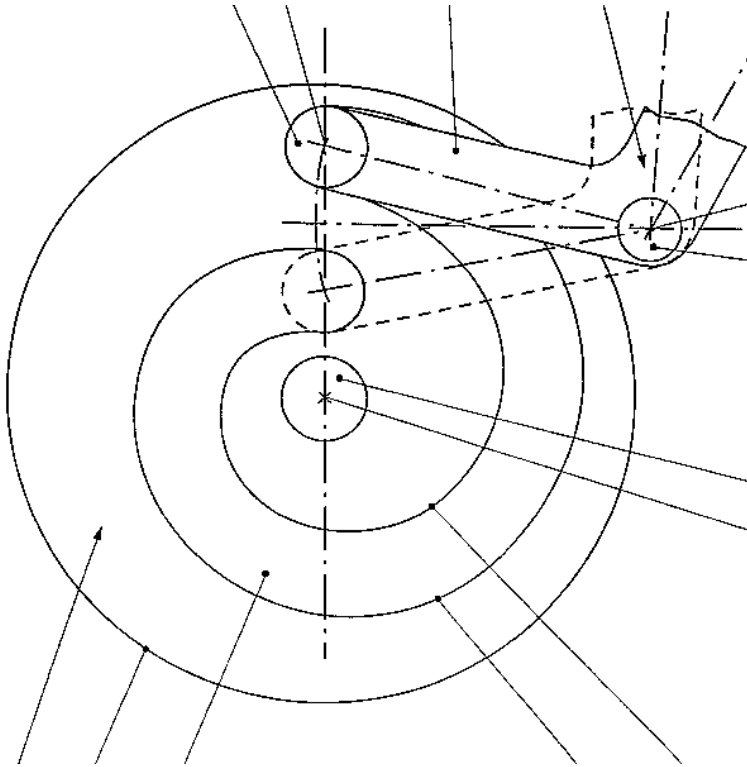
## B60N 2/2236

{with a transversal pin displaced by a slot or a cam along a predetermined path}

### Definition statement

*This place covers:*

Illustrative example of subject matter classified in this group.



## B60N 2/224

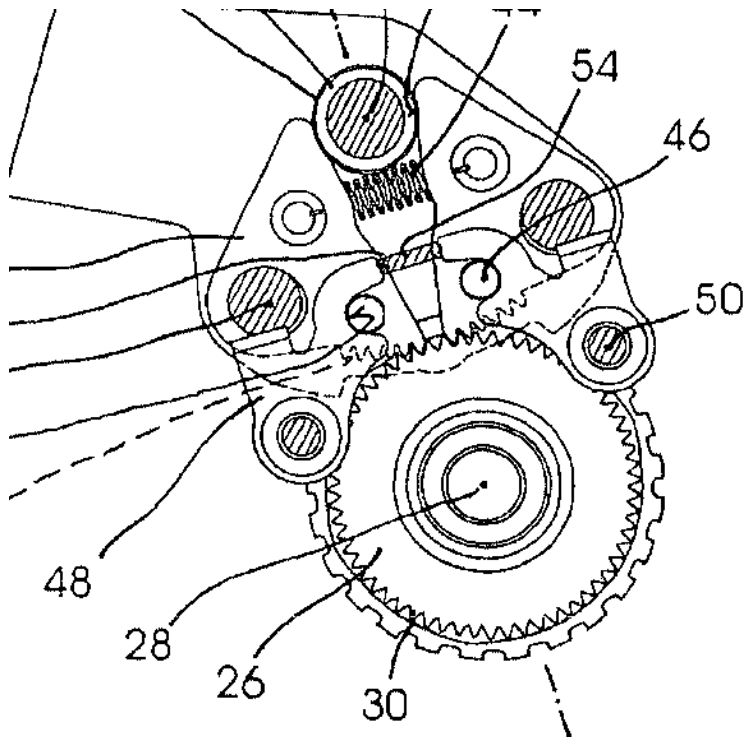
{Stepwise movement mechanisms, e.g. ratchets}

### Definition statement

*This place covers:*

Mechanisms comprising ratchets or freewheeling members for moving an adjustable back-rest.

Illustrative example of subject matter classified in this group.



## References

### Informative references

Attention is drawn to the following places, which may be of interest for search:

Gearings with freewheeling members in general	<a href="#">F16H 31/001</a>
Control mechanisms producing increments of movement, e.g. by ratchets in general	<a href="#">G05G 7/06</a>

## B60N 2/2245

{provided with a lock mechanism on the upper part of the back-rest}

### Definition statement

*This place covers:*

Seats with locking means at the upper end of the backrest (e.g. connecting the backrest to the car body) with additional option of adjustment of the reclining angle of the back-rest.

## References

### Informative references

Attention is drawn to the following places, which may be of interest for search:

Seats with locking means at the upper end of the backrest for holding the back-rest in a loading platform	<a href="#">B60N 2/366</a>
---	----------------------------

**B60N 2/251**

{with gears having orbital motion, e.g. sun and planet gears}

**Definition statement**

*This place covers:*

Illustrative example of subject matter classified in this group.

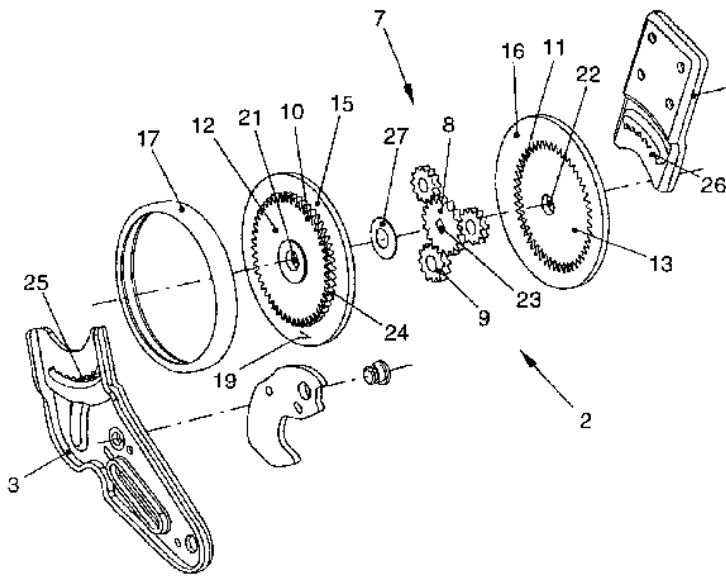


FIG. 2

**References****Informative references**

Attention is drawn to the following places, which may be of interest for search:

Gears having orbital motion in general	<a href="#">F16H 1/28</a>
--	---------------------------



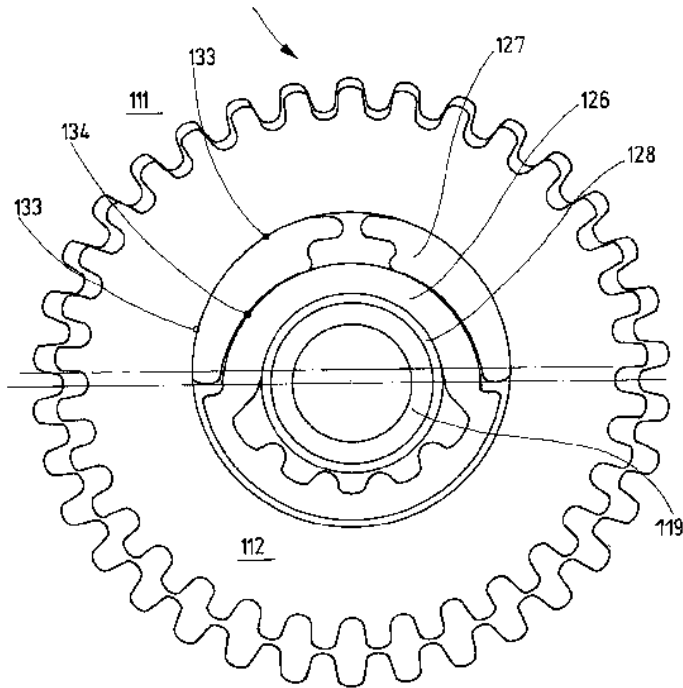
## B60N 2/2252

{in which the central axis of the gearing lies inside the periphery of an orbital gear, e.g. one gear without sun gear}

### Definition statement

*This place covers:*

Illustrative example of subject matter classified in this group.



### References

#### Informative references

*Attention is drawn to the following places, which may be of interest for search:*

Gears in which the central axis of the gearing lies inside the periphery of an orbital gear, in general	<a href="#">F16H 1/32</a>
---	---------------------------

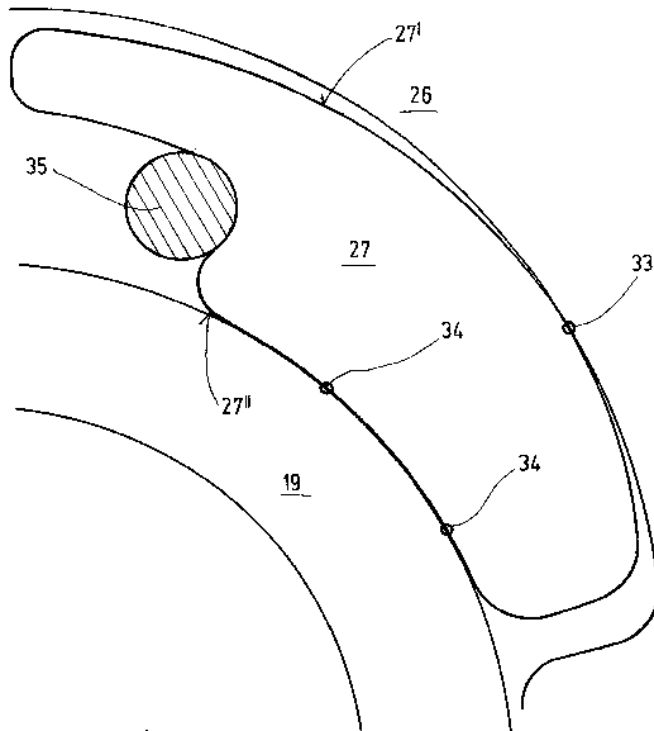
### Synonyms and Keywords

*In patent documents, the following words/expressions are often used as synonyms:*

- "wobble mechanism", "wobble joint fitting" and in Deutsch: "Taumelgetriebe"

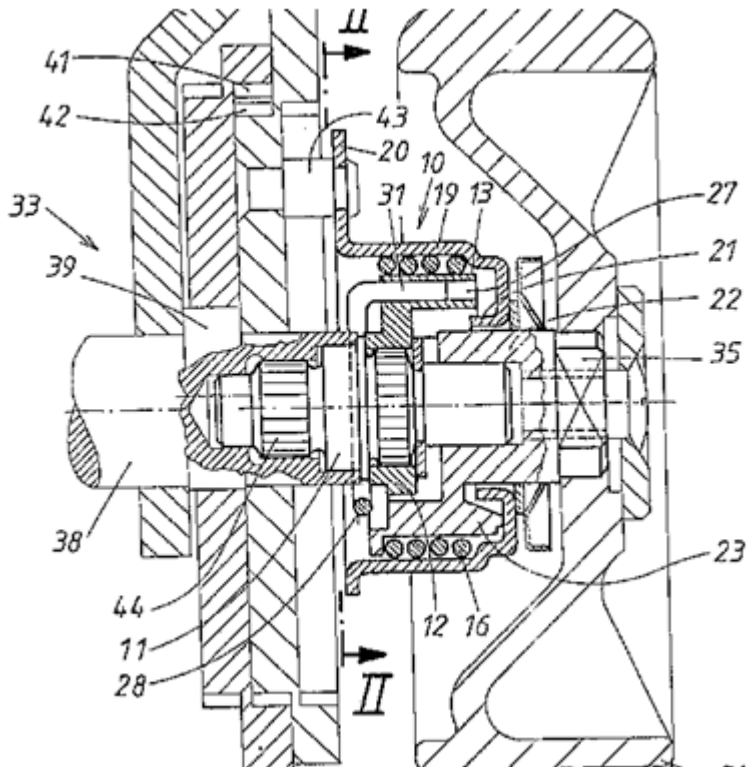
**B60N 2/2254****{provided with braking systems}****Definition statement***This place covers:*

Adjustable back-rests with cycloidal or planetary gear mechanisms and braking means, see illustrative example of brake device therefore:

**B60N 2/2255****{with coiled springs}****Definition statement***This place covers:*

Adjustable back-rests with cycloidal or planetary gear mechanisms using braking systems with a coiled spring which is located between the rotating elements and which can be activated and unactivated in order to produce a frictional engagement between the rotating elements.

Illustrative example of subject matter classified in this group.



## **B60N 2/2257**

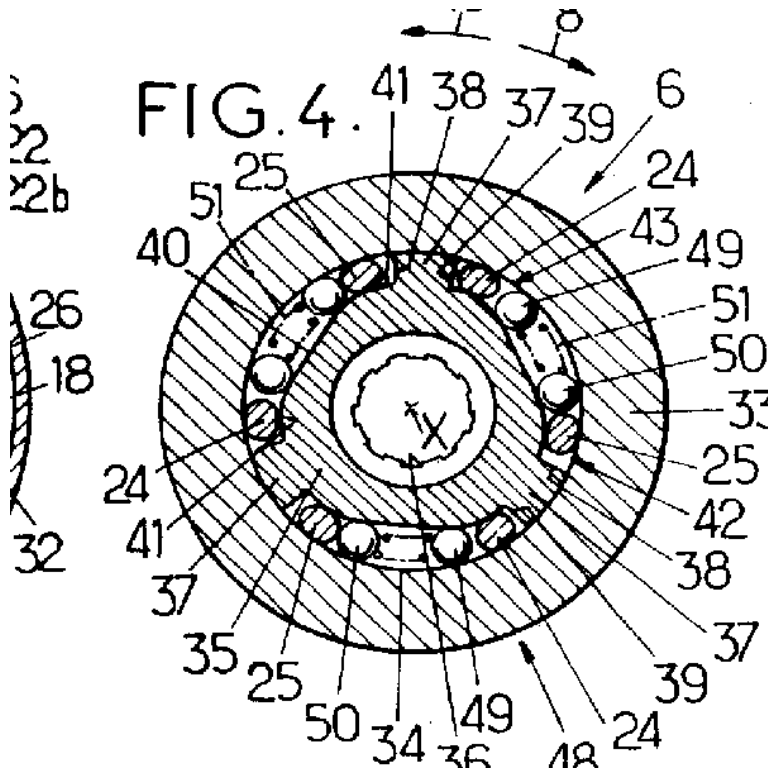
**{with rollers or balls}**

### **Definition statement**

*This place covers:*

Adjustable back-rests with cycloidal or planetary gear mechanisms using braking systems with rollers which are located between the rotating elements and which can be activated and unactivated in order to produce a frictional engagement between the rotating elements.

Illustrative example of subject matter classified in this group.



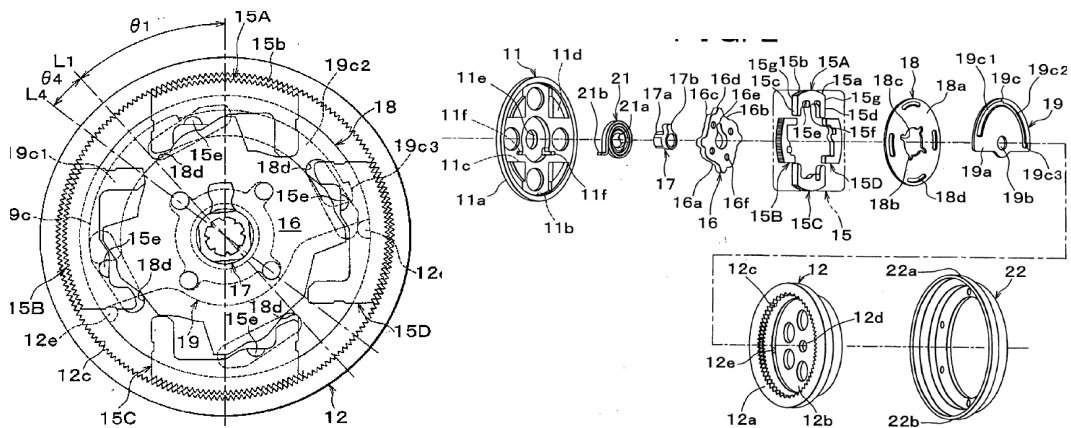
**B60N 2/2258**

{with ratchets}

**Definition statement**

*This place covers:*

Adjustable back-rests with cycloidal or planetary gear mechanisms characterised by using ratchets between the rotating parts, e.g. illustrative second example with outer disk (12) mounted to back-rest and disk (11) mouted to seat cushion.



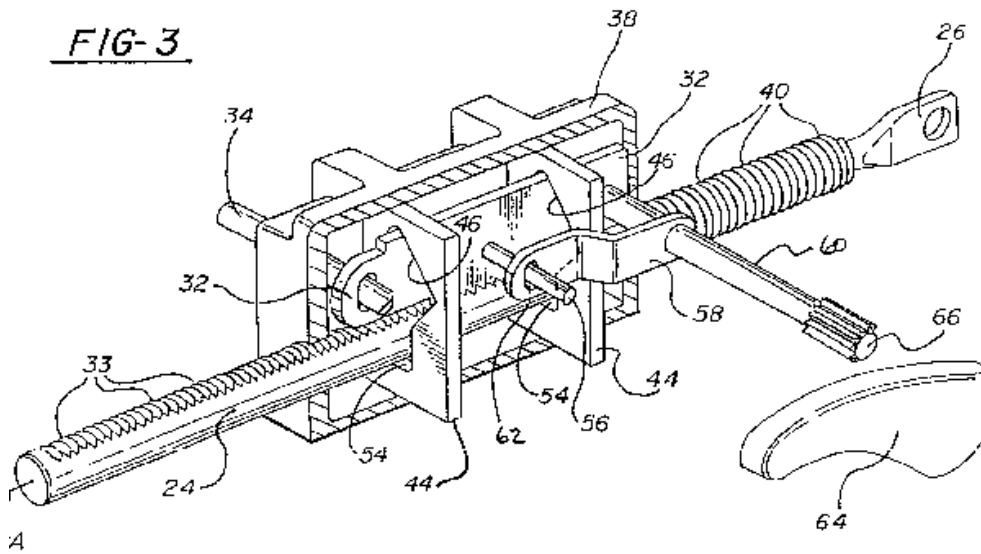
**B60N 2/23**

by {linear actuators, e.g.} linear screw mechanisms

**Definition statement**

*This place covers:*

Back-rest adjustments characterised by linear actuators, e.g. linear screw mechanisms, see illustrative example of subject matter classified in this group.



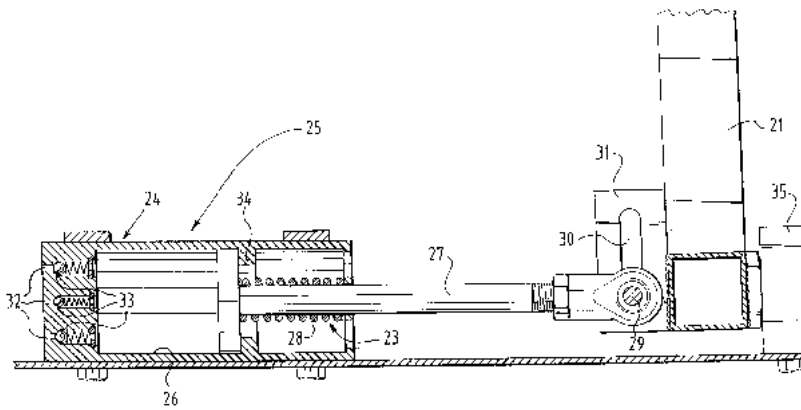
## B60N 2/231

{by hydraulic actuators}

### Definition statement

*This place covers:*

Illustrative example of subject matter classified in this group.



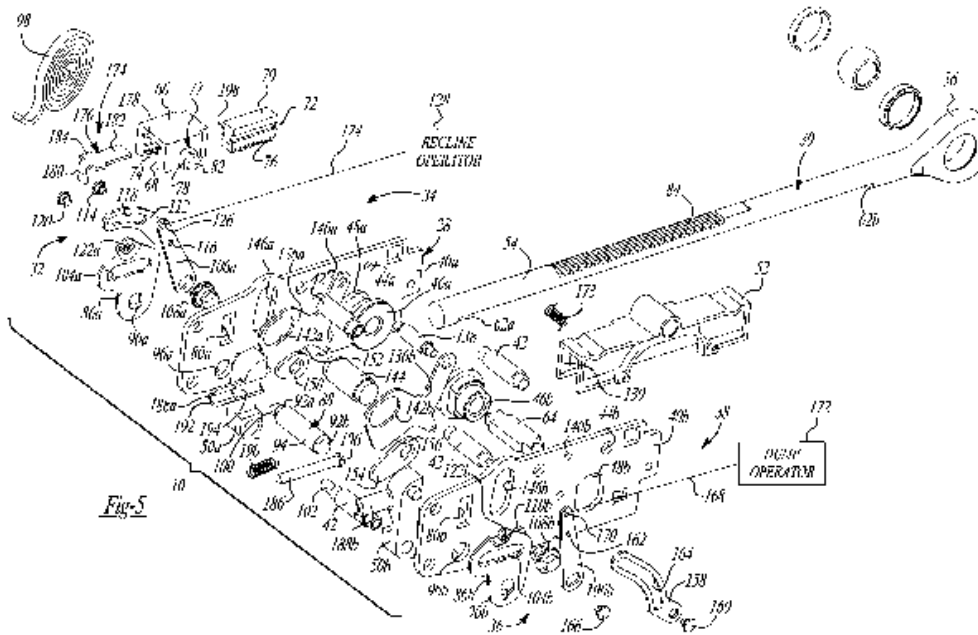
## B60N 2/232

{provided with memory locks}

### Definition statement

This place covers:

Illustrative example of subject matter classified in this group.



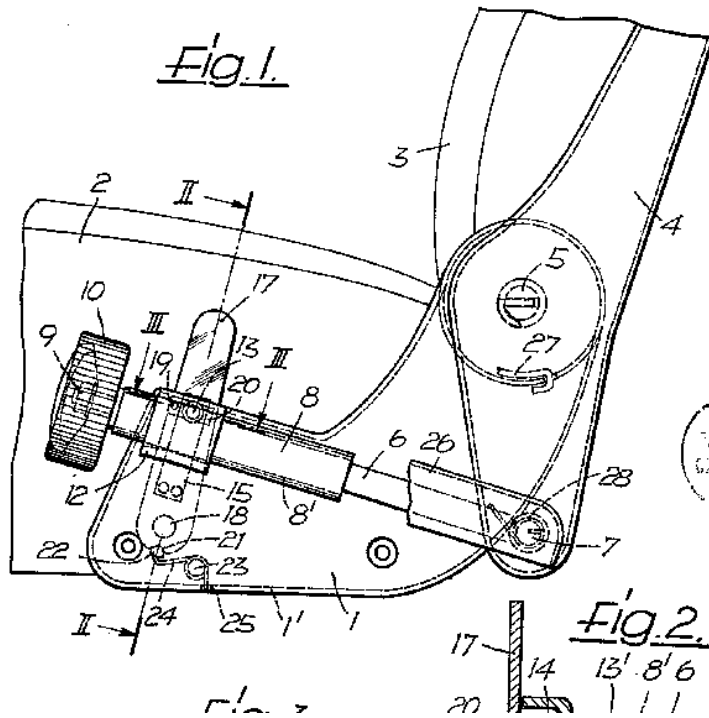
**B60N 2/233**

{by linear screw mechanisms}

**Definition statement**

*This place covers:*

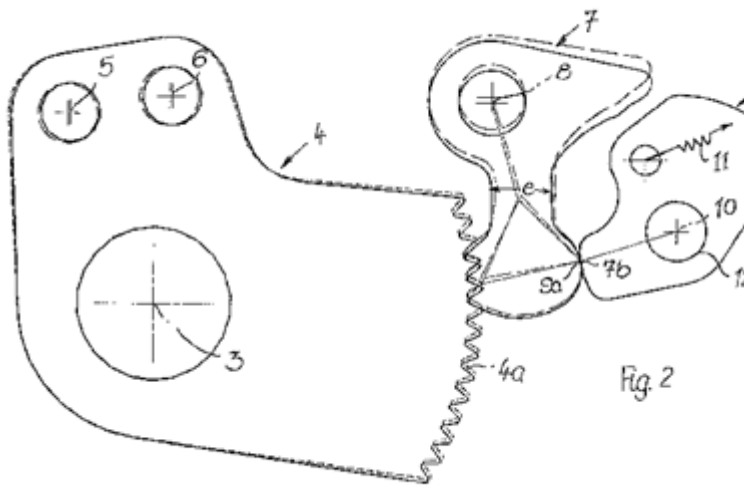
Illustrative example of subject matter classified in this group.





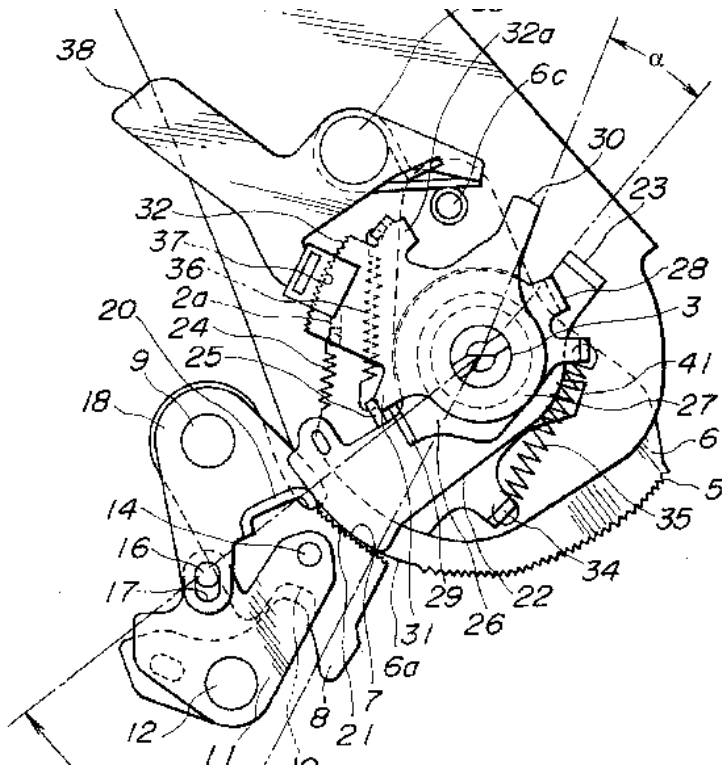
**B60N 2/2352****{with external pawls}****Definition statement***This place covers:*

Back-rest being adjustable by an external pawl. The illustrative example of subject matter classified in this group shows the pivoting axis (3) of a back-rest which is connected with segment (4) having teeth (4a) to be engaged by the pawl (7) for adjusting the back-rest.



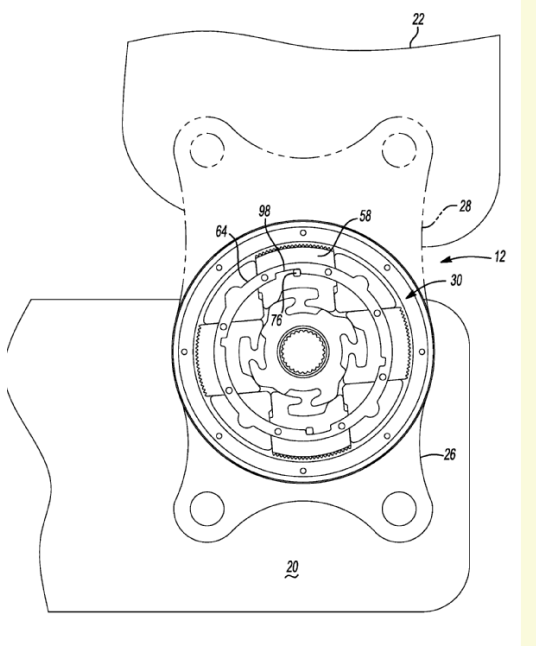
**B60N 2/2354****{and provided with memory locks}****Definition statement***This place covers:*

Illustrative example of subject matter classified in this group.



**B60N 2/2356****{with internal pawls}****Definition statement***This place covers:*

Illustrative example of subject matter classified in this group.

**B60N 2/24****for particular purposes or particular vehicles****Definition statement***This place covers:*Seats as set out in the titles of the groups [B60N 2/24](#) - [B60N 2/433](#) and furthermore vehicles which are not used as regular passenger cars e.g. military and construction vehicle

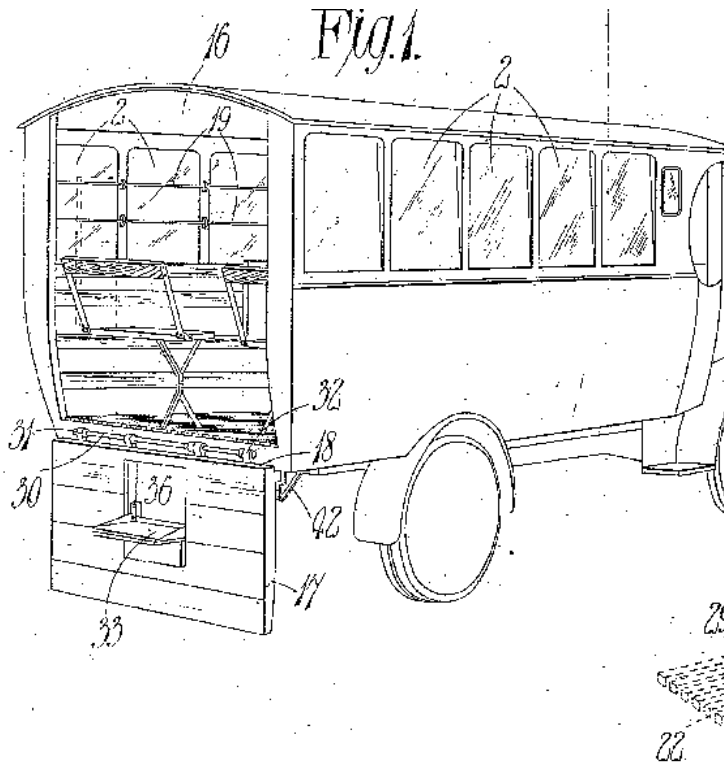
## B60N 2/242

{Bus seats}

### Definition statement

*This place covers:*

Illustrative example of subject matter classified in this group.



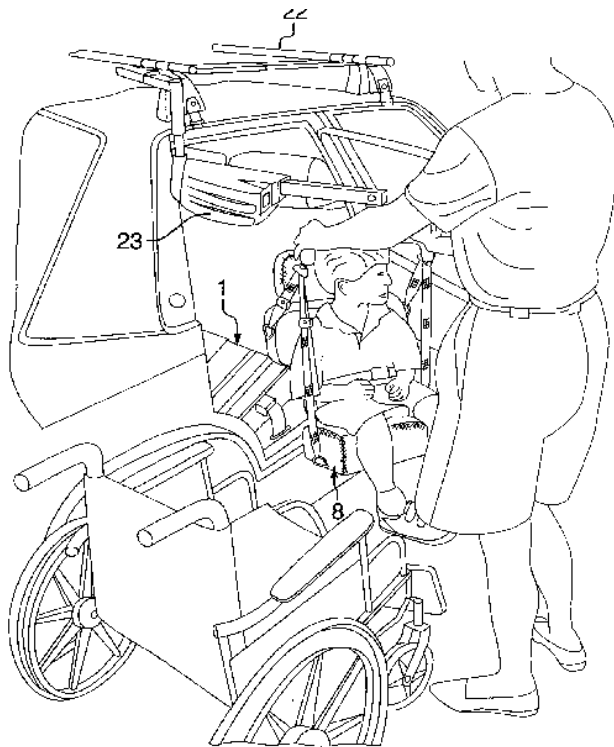
## B60N 2/245

{for handicapped persons}

### Definition statement

*This place covers:*

Illustrative example of subject matter classified in this group.



### References

#### Informative references

*Attention is drawn to the following places, which may be of interest for search:*

Seats facilitating access or loading of wheelchairs in ambulances	<a href="#">A61G 3/00</a>
---	---------------------------

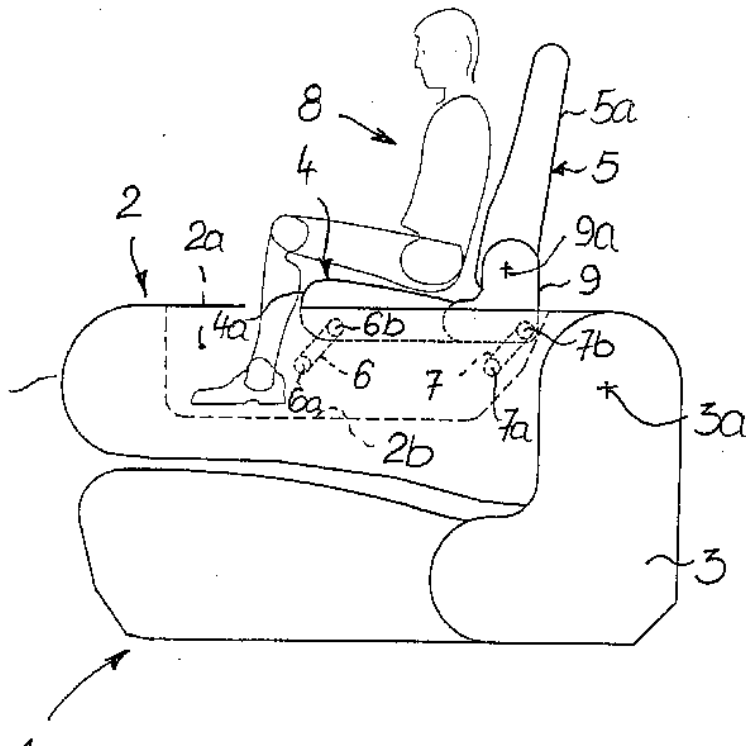
**B60N 2/26**

for children ([B60N 2/30](#) takes precedence)

**Definition statement**

*This place covers:*

Illustrative example of subject matter classified in this group.

**References****Limiting references**

*This place does not cover:*

Seats storable in a non-use position	<a href="#">B60N 2/30</a>
--------------------------------------	---------------------------

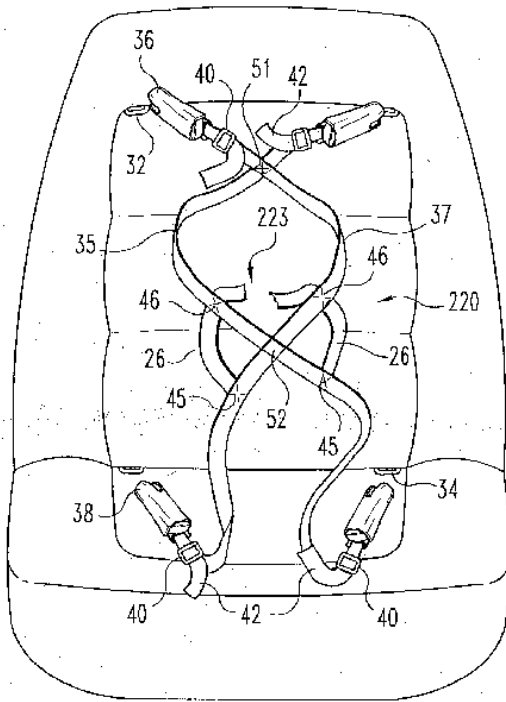
## B60N 2/265

### {Adaptations for seat belts}

#### Definition statement

*This place covers:*

Illustrative example of subject matter classified in this group.

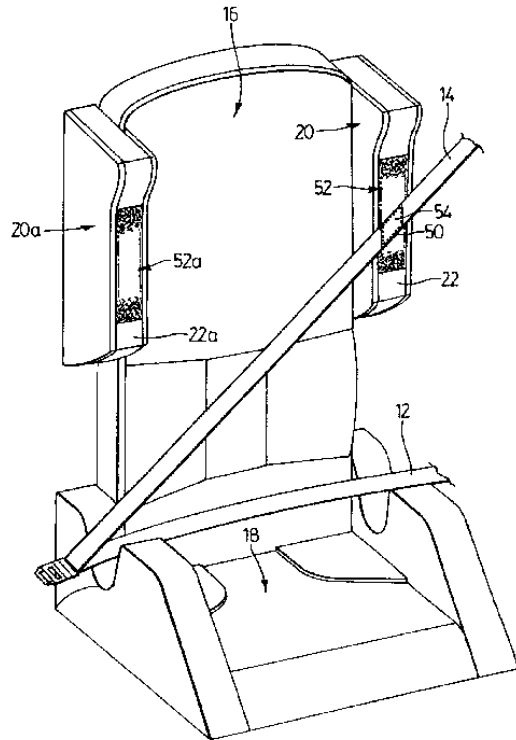


## B60N 2/2803

{Adaptations for seat belts}

### Definition statement

*This place covers:*



### References

#### *Informative references*

*Attention is drawn to the following places, which may be of interest for search:*

Seat belts for children in general	<a href="#">B60R 22/105</a>
------------------------------------	-----------------------------



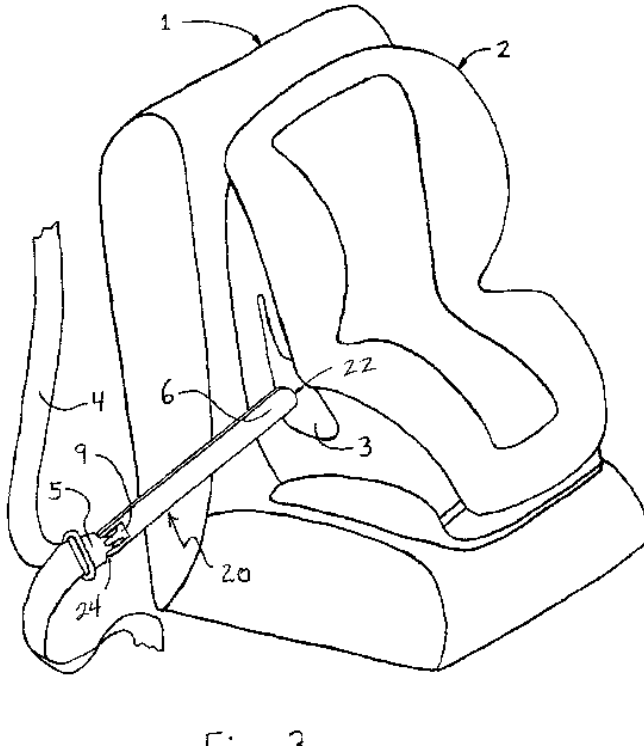
## B60N 2/2806

{for securing the child seat to the vehicle}

### Definition statement

*This place covers:*

Illustrative example of subject matter classified in this group.



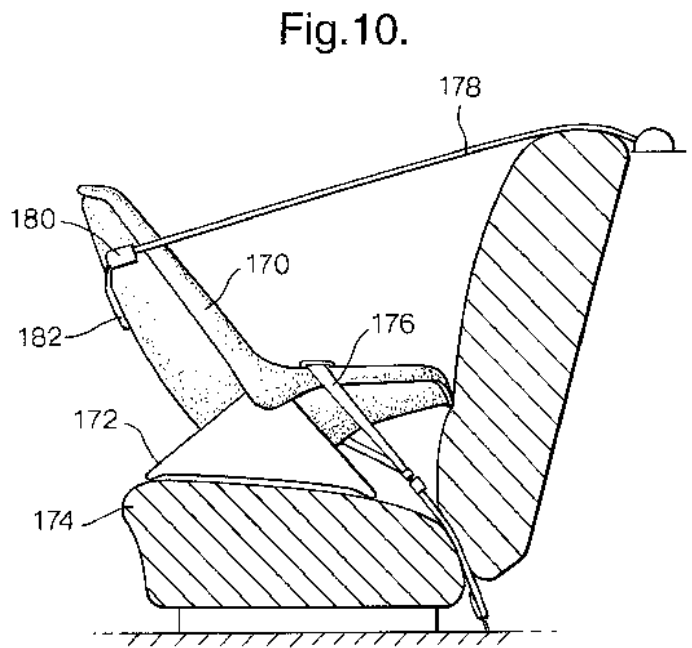
## B60N 2/2809

{with additional tether connected to the top of the child seat and passing above the top of the back-rest}

### Definition statement

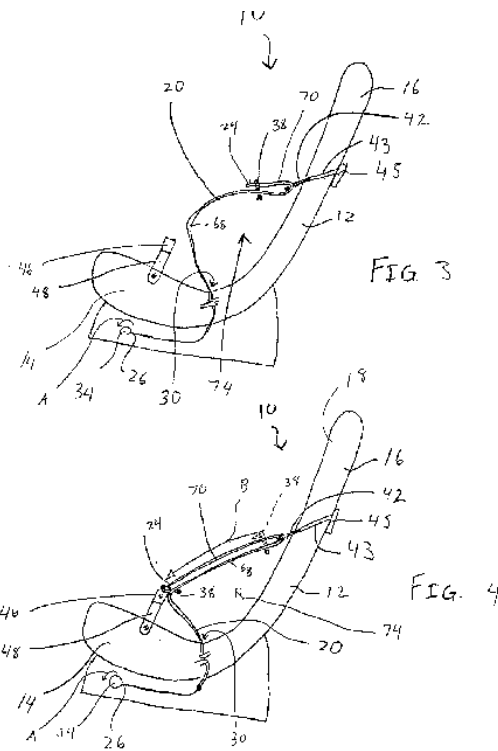
*This place covers:*

Illustrative example of subject matter classified in this group.



**B60N 2/2812****{for securing the child to the child seat}****Definition statement***This place covers:*

Illustrative example of subject matter classified in this group.



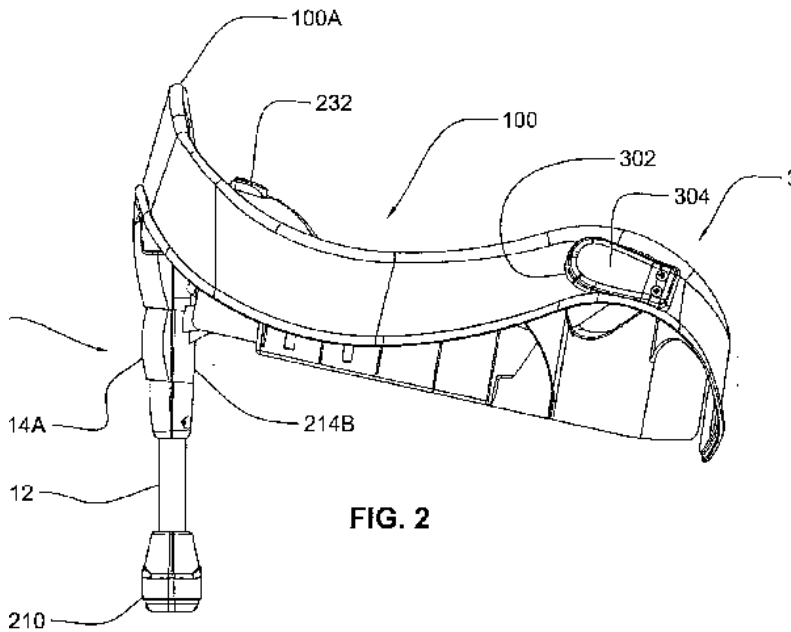
**B60N 2/2824**

{part of the base being supported by the vehicle frame ([B60N 2/289](#) takes precedence)}

**Definition statement**

*This place covers:*

Illustrative example of subject matter classified in this group.

**References****Limiting references**

*This place does not cover:*

Coupling to a transversal anchorage bar of the vehicle frame	<a href="#">B60N 2/289</a>
--	----------------------------

**B60N 2/2827**

{part of the base being supported by the seat sub-frame ([B60N 2/2893](#) takes precedence)}

**Definition statement**

*This place covers:*

Illustrative example of subject matter classified in this group.

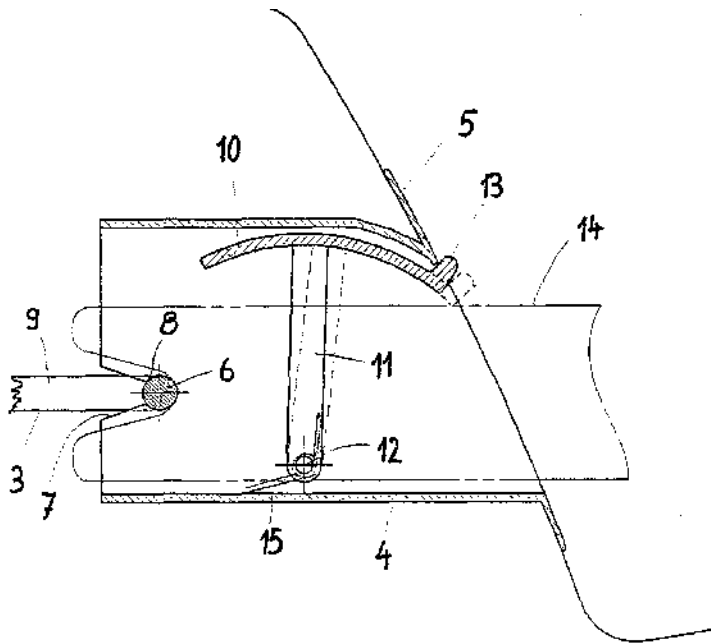


Fig.3

**References****Limiting references**

*This place does not cover:*

Coupling to a transversal anchorage bar of the seat sub-frame	<a href="#">B60N 2/2893</a>
---	-----------------------------

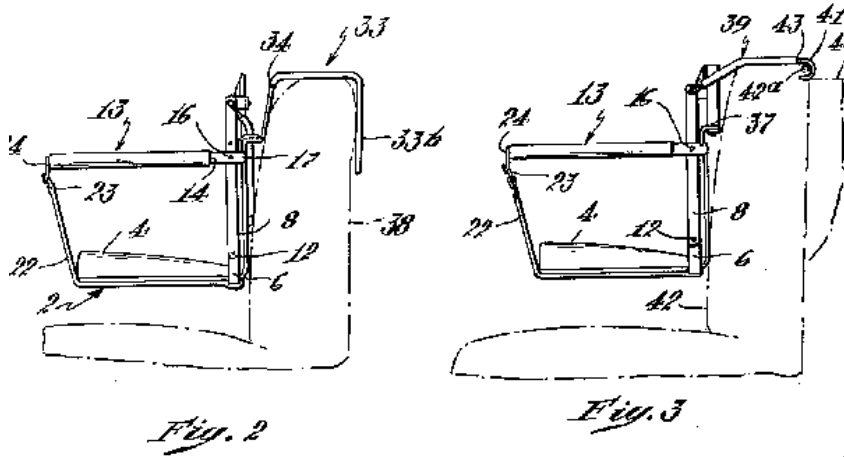
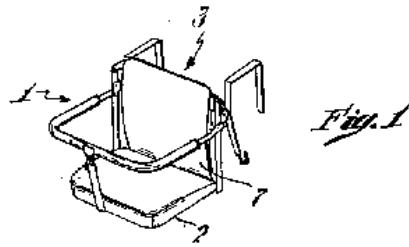
**B60N 2/2833**

{back-rest suspended}

**Definition statement**

This place covers:

Illustrative example of subject matter classified in this group.



33 3 11 7 3

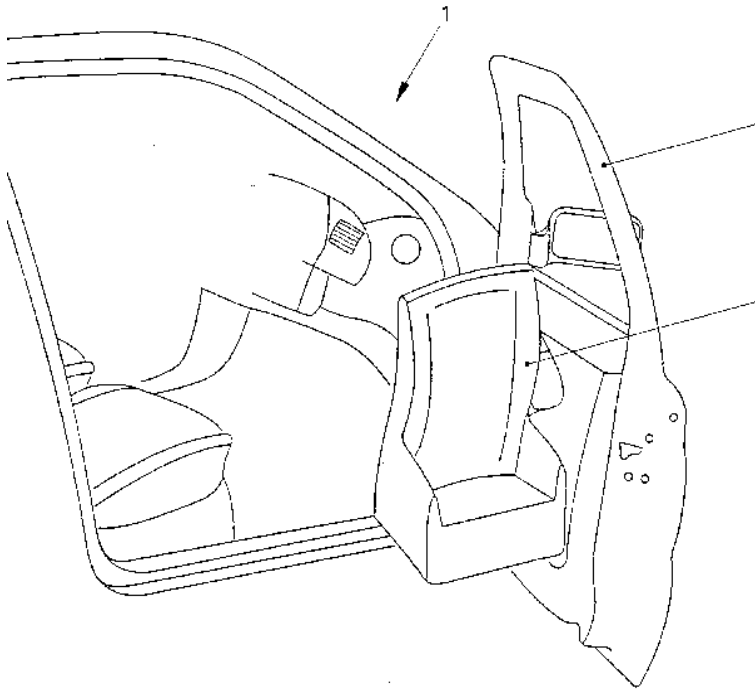
## B60N 2/2836

{window-frame suspended}

### Definition statement

*This place covers:*

Illustrative example of subject matter classified in this group.



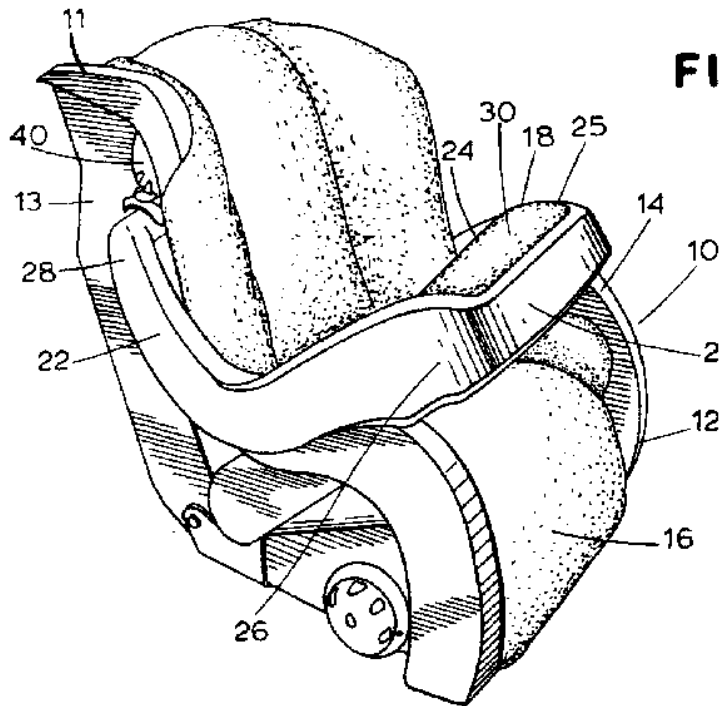
## B60N 2/2839

{having a front guard or barrier}

### Definition statement

*This place covers:*

Illustrative example of subject matter classified in this group.





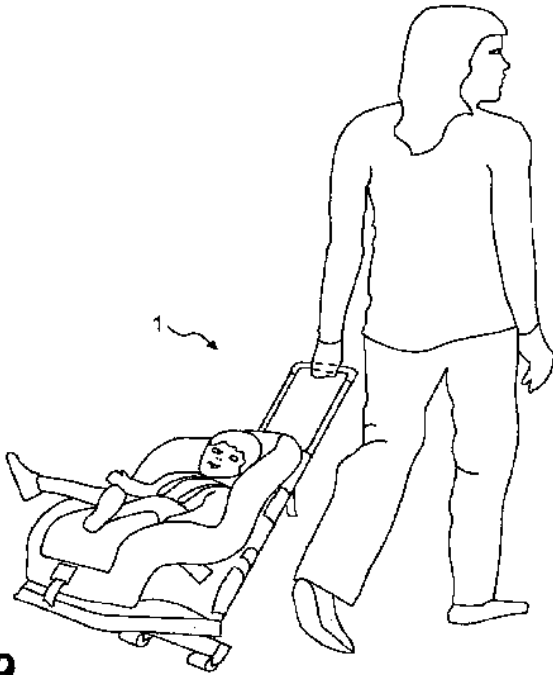
## B60N 2/2842

{adapted to carry the child, when dismounted from the vehicle}

### Definition statement

*This place covers:*

Illustrative example of subject matter classified in this group.



**FIG. 9**

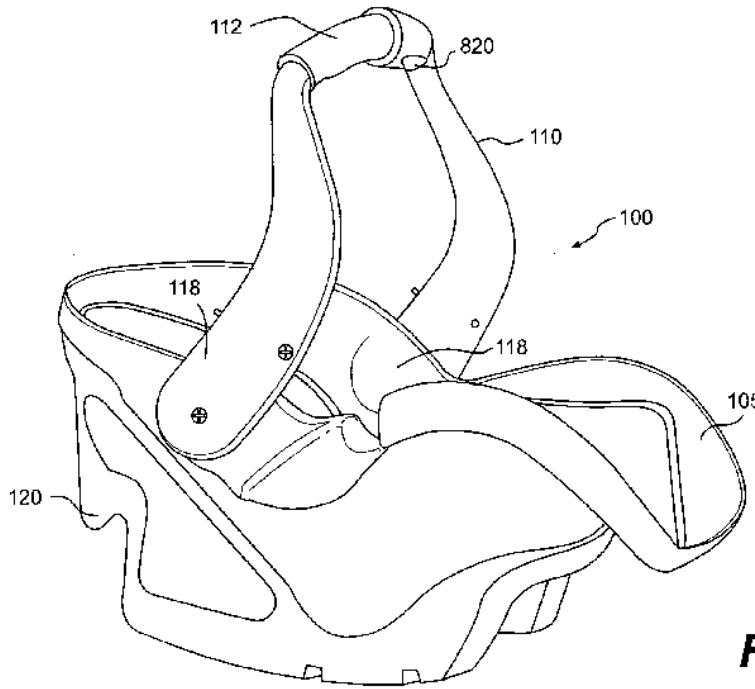
## B60N 2/2845

{having handles}

### Definition statement

*This place covers:*

Illustrative example of subject matter classified in this group.



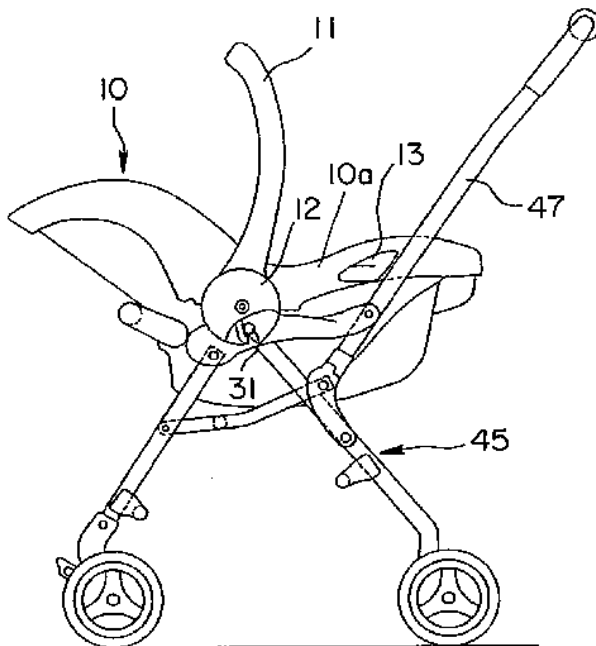
**B60N 2/2848**

{being convertible or adaptable to a preambulator, e.g. a baby-carriage or a push-chair}

**Definition statement**

*This place covers:*

Illustrative example of subject matter classified in this group.

**References****Informative references**

*Attention is drawn to the following places, which may be of interest for search:*

Preambulators in general	<a href="#">B62B 7/14</a>
--------------------------	---------------------------

**B60N 2/2854**

{Children's cots; Hammocks}

**References****Informative references**

*Attention is drawn to the following places, which may be of interest for search:*

Children's chairs in general	<a href="#">A47D 1/00</a>
------------------------------	---------------------------

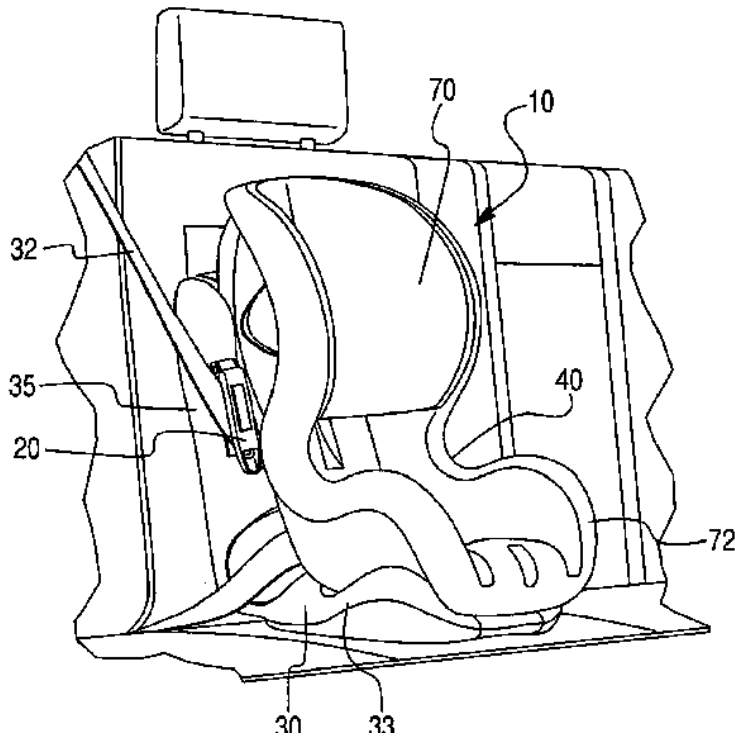
**B60N 2/286**

{forward facing ([B60N 2/2866](#) takes precedence)}

**Definition statement**

*This place covers:*

Illustrative example of subject matter classified in this group.

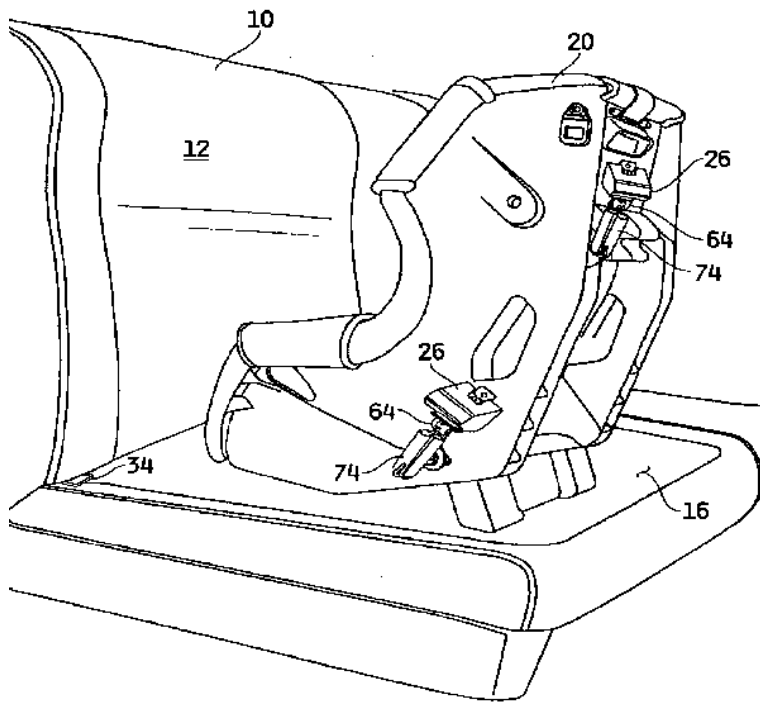
**References****Limiting references**

*This place does not cover:*

Booster cushions	<a href="#">B60N 2/2866</a>
------------------	-----------------------------

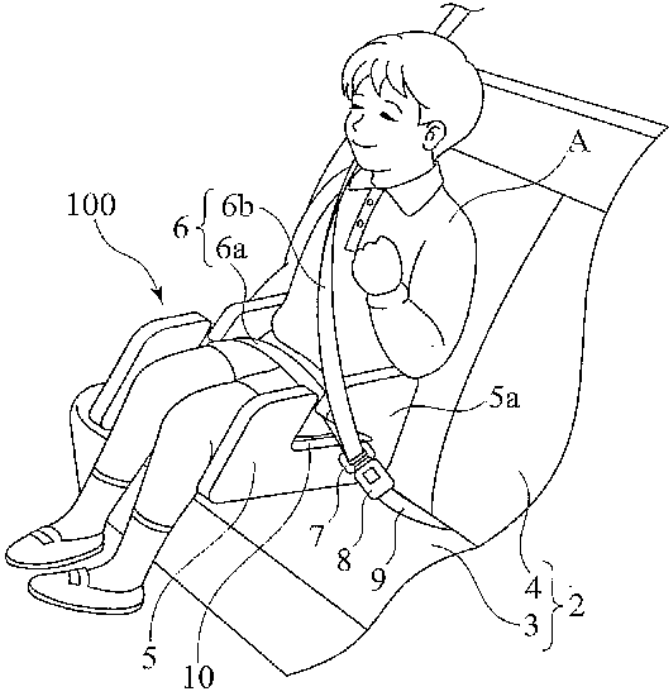
**B60N 2/2863****{backward facing}****Definition statement***This place covers:*

Illustrative example of subject matter classified in this group.

**B60N 2/2866****{booster cushions, e.g. to lift a child to allow proper use of the conventional safety belts}****Definition statement***This place covers:*

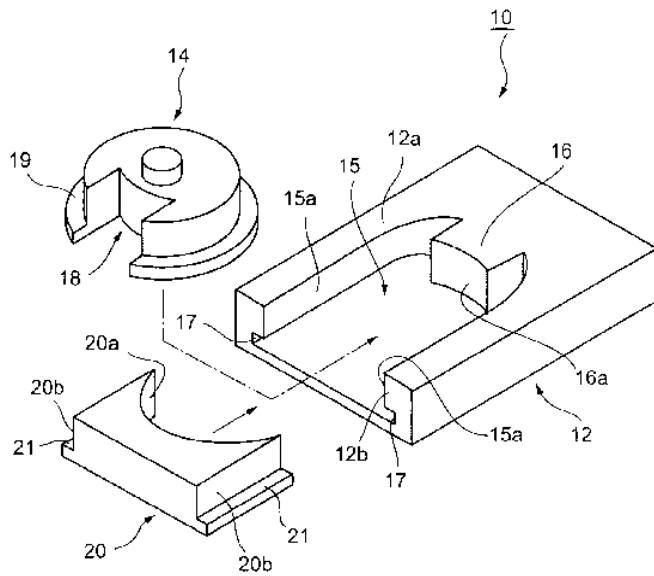
Cushions without back-rest parts to lift the child in position to allow the use of conventional safety belts.

Illustrative example of subject matter classified in this group.



**B60N 2/2869****{rotatable about a vertical axis}****Definition statement***This place covers:*

Illustrative example of subject matter classified in this group.



## B60N 2/2872

{provided with side rests}

### Definition statement

*This place covers:*

Illustrative example of subject matter classified in this group.

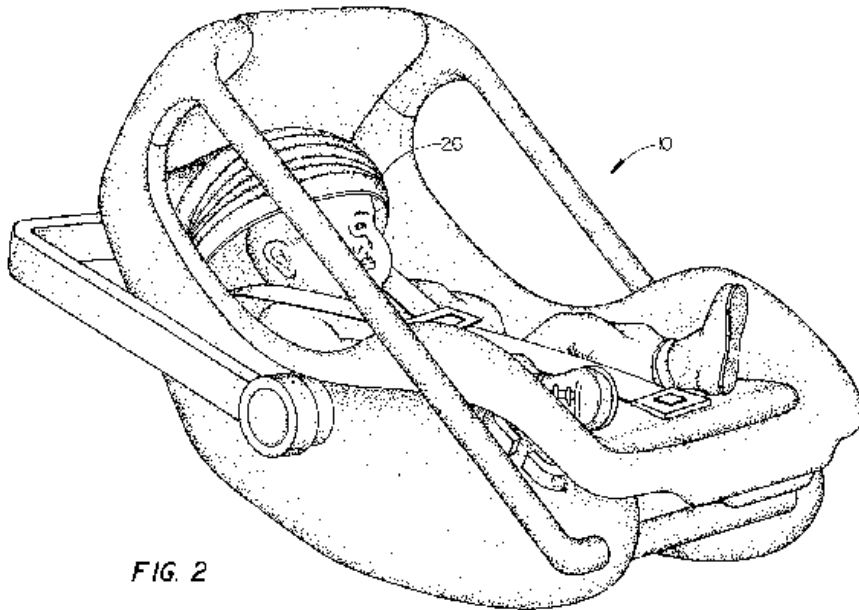
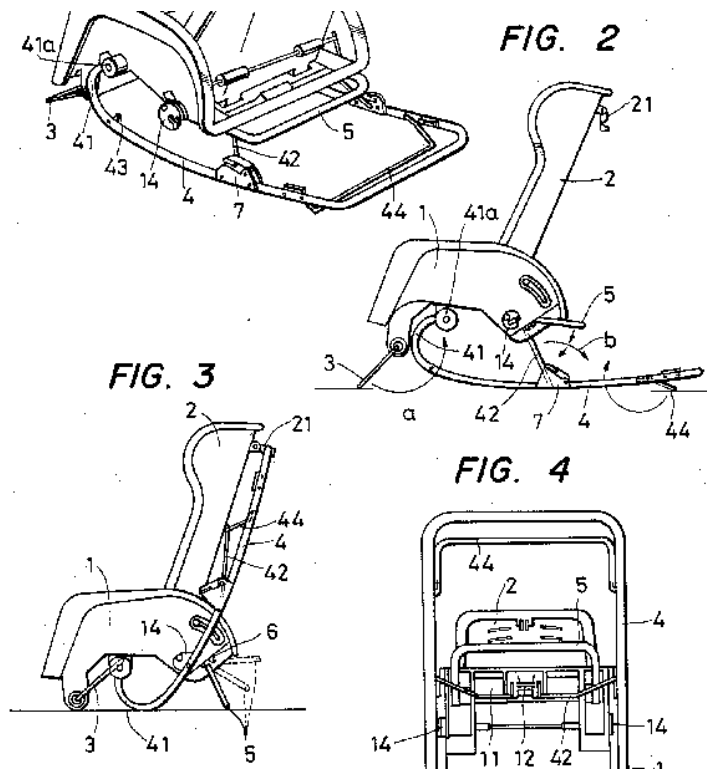


FIG. 2



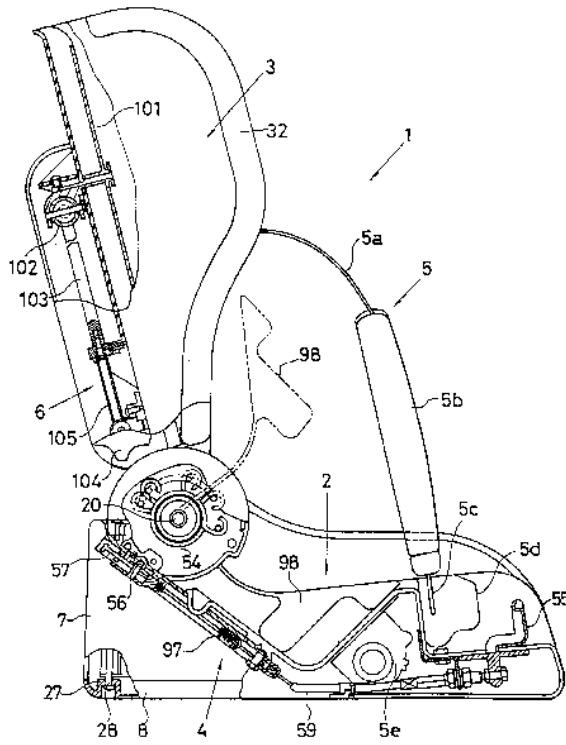
**B60N 2/2875****{inclinable, as a whole or partially}****Definition statement***This place covers:*

Illustrative example of subject matter classified in this group.

**B60N 2/2878****{the back-rest being inclinable}****Definition statement***This place covers:*

Child seats with a seat cushion and a back rest where the inclination of the back rest with respect to the seat cushion can be adjusted.

Illustrative example of subject matter classified in this group.



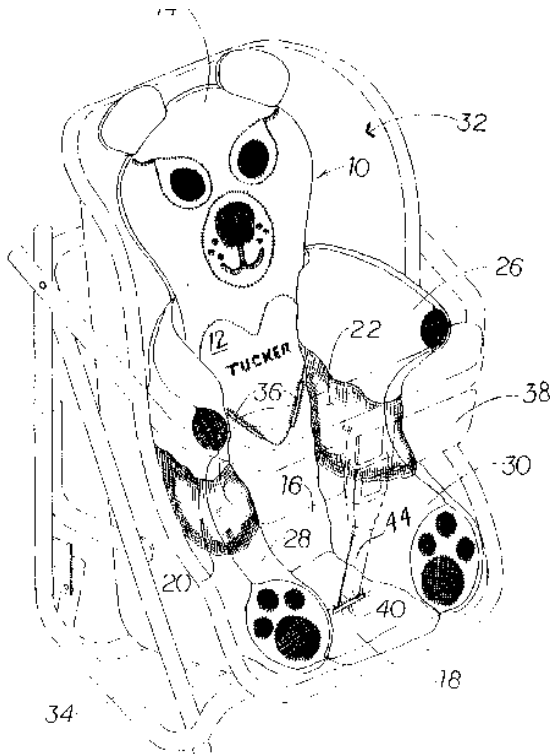
## B60N 2/2881

{Upholstery, padded or cushioned members therefor}

### Definition statement

*This place covers:*

Illustrative example of subject matter classified in this group.



## B60N 2/2884

{with protection systems against abnormal g-forces}

### Definition statement

*This place covers:*

Systems other than safety belts for protecting child in their seats against abnormal acceleration.

Illustrative example of subject matter classified in this group.

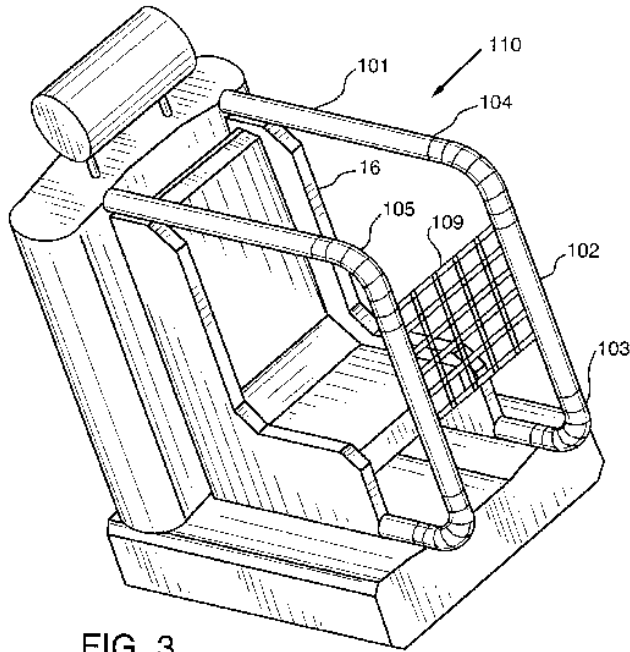


FIG. 3

## References

### *Informative references*

Attention is drawn to the following places, which may be of interest for search:

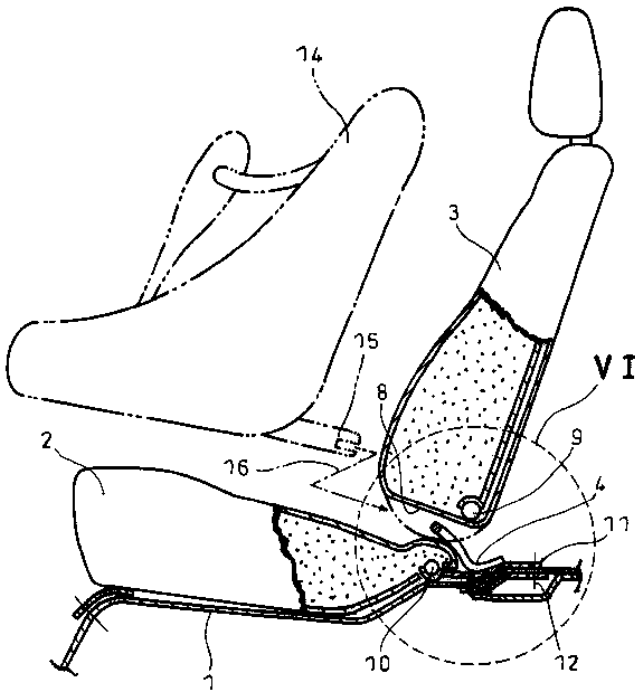
Seat belts	<a href="#">B60R 22/00</a>
------------	----------------------------

## B60N 2/289

{coupled to the vehicle frame}

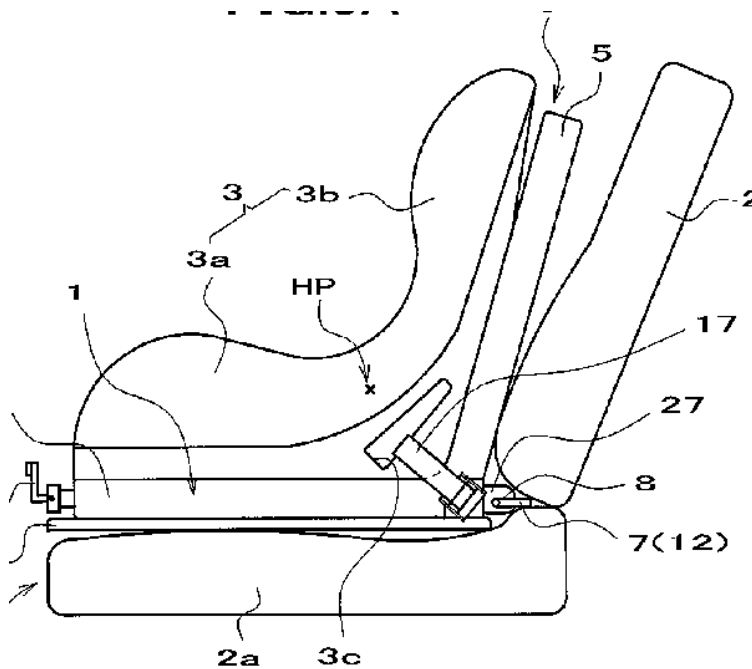
### Definition statement

*This place covers:*



**B60N 2/2893****{coupled to the seat sub-frame}****Definition statement***This place covers:*

Illustrative example of subject matter classified in this group.

**B60N 2/30****Non-dismountable {or dismountable} seats storable in a non-use position, e.g. foldable spare seats****References****Informative references***Attention is drawn to the following places, which may be of interest for search:*

Seats convertible for other uses	<a href="#">B60N 2/32</a>
----------------------------------	---------------------------

**Special rules of classification**

A movement of a cushion or backrest can be composed of several sequences, each of which can be assigned to a different symbol within [B60N 2/30](#), e.g. [B60N 2/3011](#) for the movement of the backrest on the cushion and [B60N 2/305](#) for the movement of the cushion on the vehicle frame.

In some cases [B60N 2/30](#) symbols can be assigned to seats even though non of the positions of the seat are "non use positions" e.g. for seats convertible into a bed. This is desirable when the wide scale of different movements of [B60N 2/30](#) is especially helpful to describe more clearly the way the conversion from a first to a second position is realized.

In this group ([B60N 2/30](#)), when documents refer to a plurality of aspects for which a classification entry is present, and as such the invention does not lie in one of these, it is highly desirable to classify all aspects at inventive level. An example of this classification strategy is a storable seat in [B60N 2/30](#), which is brought in several steps from the use position to the stowed position. Each of these steps is classified separately. For example, when a seat is stowed in a first step by tilting the back-rest on the cushion by a "portefeuille movement" and in a second step by tilting the cushion (with the back-rest) forward about a transversal axis on the floor, then the document is allocated the class [B60N 2/3011](#) for the "portefeuille movement" of the back-rest and the [B60N 2/305](#) for the movement of the cushion. When by doing so the seat is moved into a recess of the luggage compartment then the document is further classified in [B60N 2/3079](#) and so on.

**Glossary of terms**

*In this place, the following terms or expressions are used with the meaning indicated:*

Non-use position	position of the seat where it is stowed away
------------------	--

**B60N 2/3011**

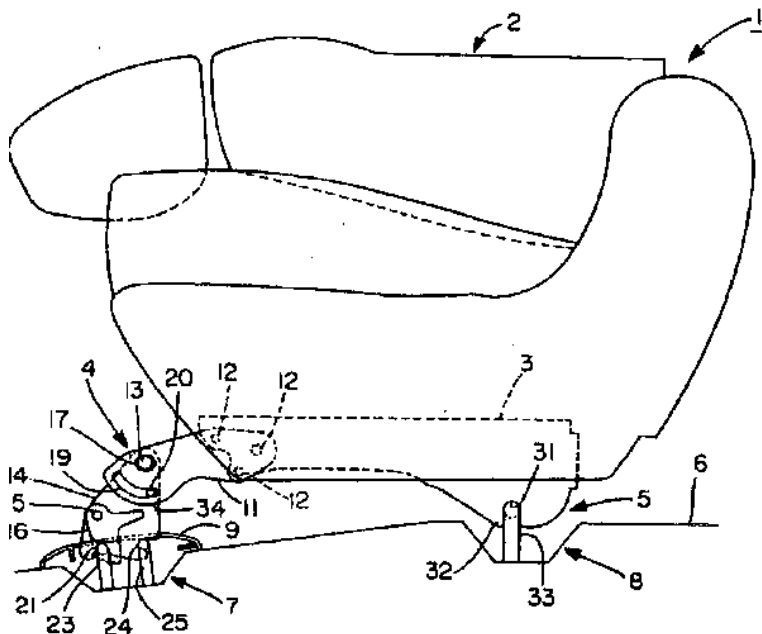
{the back-rest being hinged on the cushion, e.g. "portefeuille movement"}

**Definition statement**

*This place covers:*

Illustrative example of subject matter classified in this group.

**G. 1**



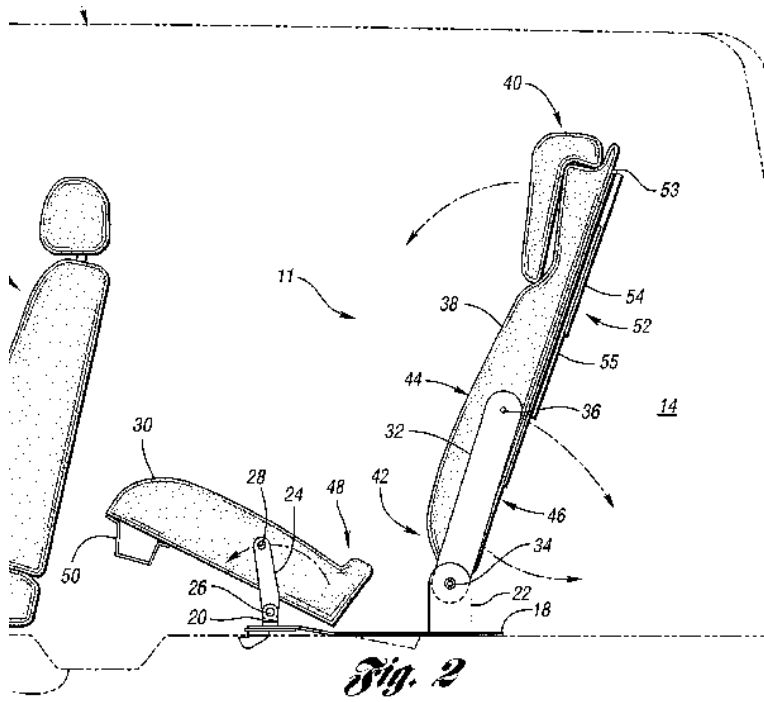
**B60N 2/3013**

{the back-rest being hinged on the vehicle frame}

**Definition statement**

*This place covers:*

Illustrative example of subject matter classified in this group.





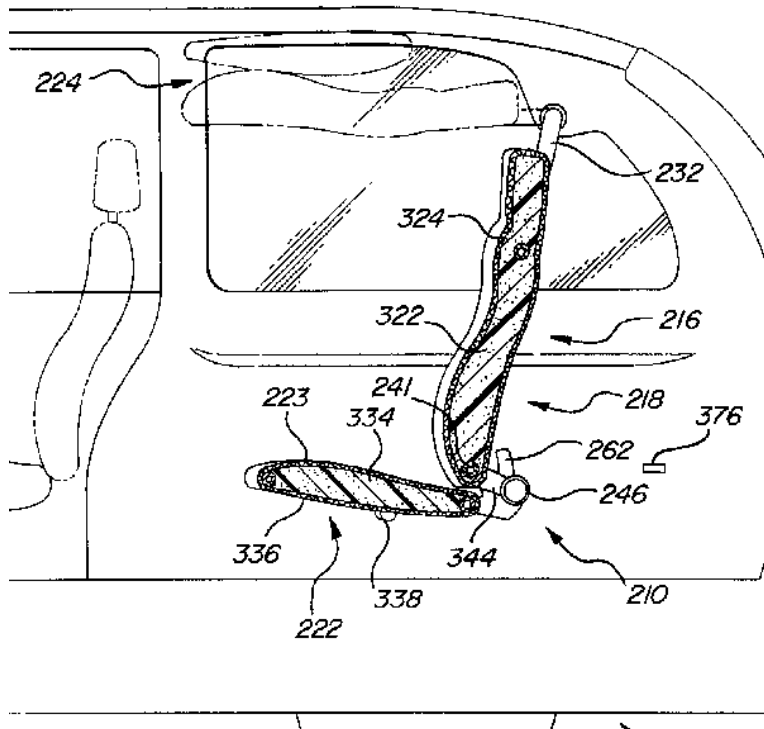
**B60N 2/3015**

{the axis being located at the top of the back-rest}

**Definition statement**

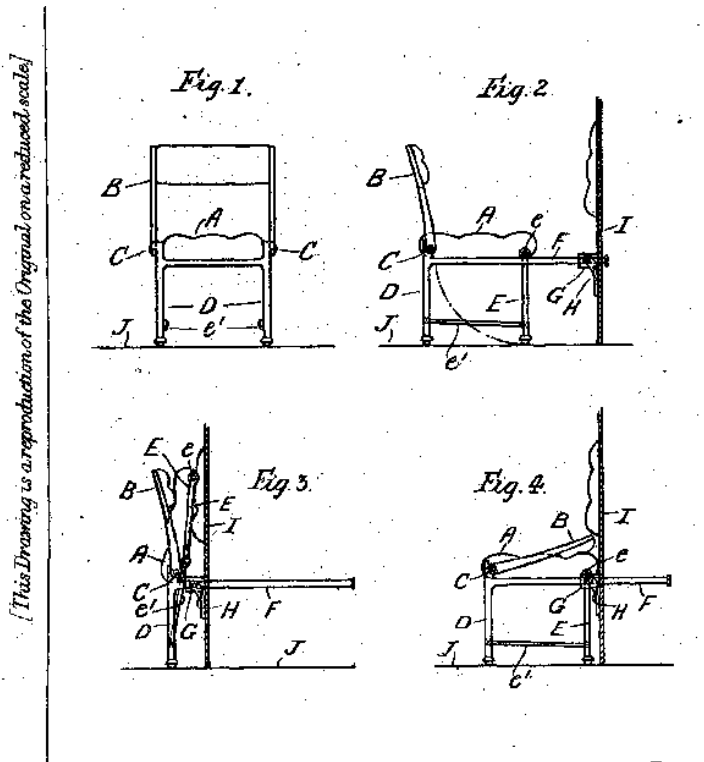
*This place covers:*

Illustrative example of subject matter classified in this group.



**B60N 2/3022****{along longitudinal axis}****Definition statement***This place covers:*

Illustrative example of subject matter classified in this group.



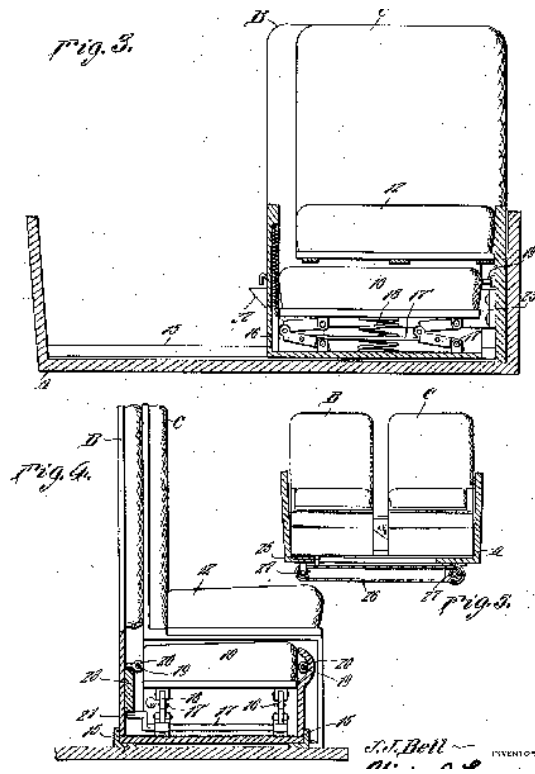
## B60N 2/3025

{along transversal axis}

### Definition statement

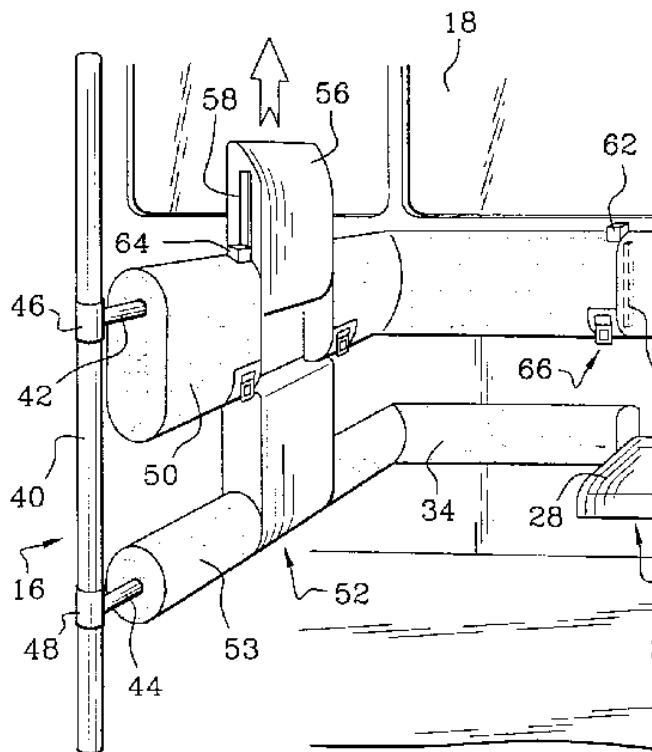
This place covers:

Illustrative example of subject matter classified in this group.



**B60N 2/3027****{along vertical axis}****Definition statement***This place covers:*

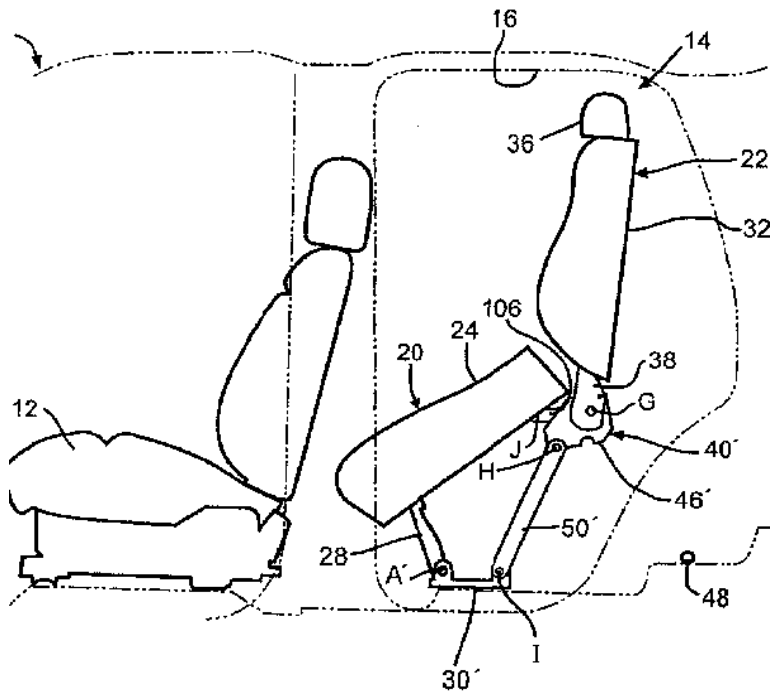
Illustrative example of subject matter classified in this group.

**B60N 2/3029****{by composed movement}****Glossary of terms***In this place, the following terms or expressions are used with the meaning indicated:*

Composed movement	A movement of the backrest which is composed by different movements at the same time (not sequentially) e.g. the front end of the cushions slides longitudinally while the back end moves about a rod.
-------------------	--

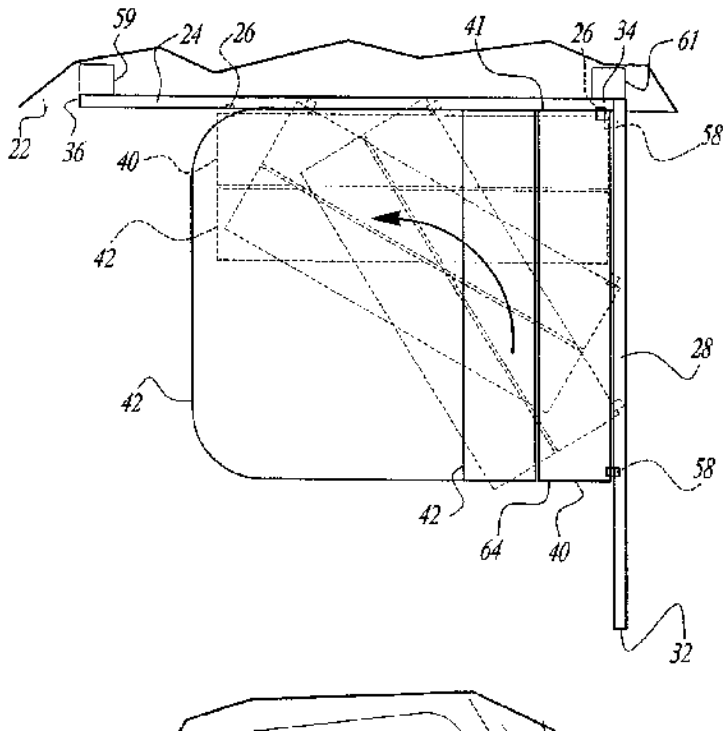
**B60N 2/3031****{in a longitudinal-vertical plane}****Definition statement***This place covers:*

Illustrative example of subject matter classified in this group.



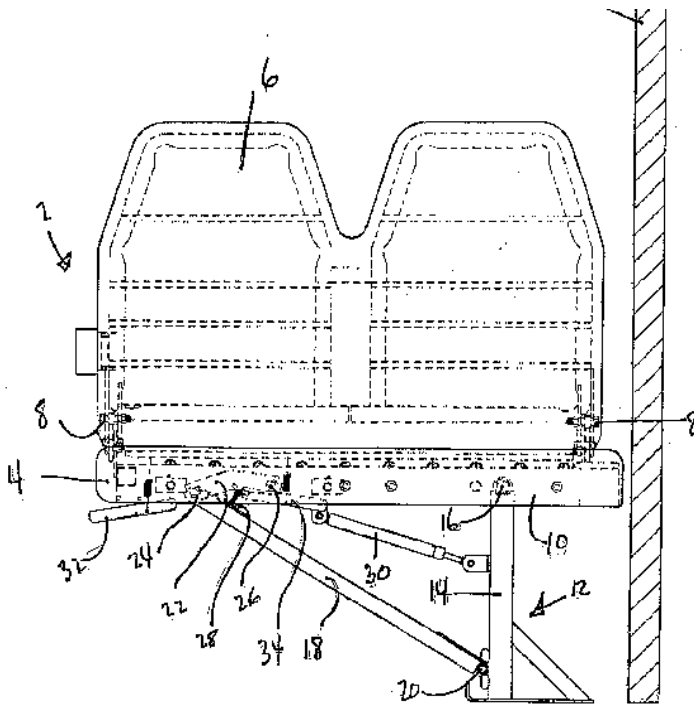
**B60N 2/3034****{in a longitudinal-transversal plane}****Definition statement***This place covers:*

Illustrative example of subject matter classified in this group.



**B60N 2/3043****{about longitudinal axis}****Definition statement***This place covers:*

Illustrative example of subject matter classified in this group.



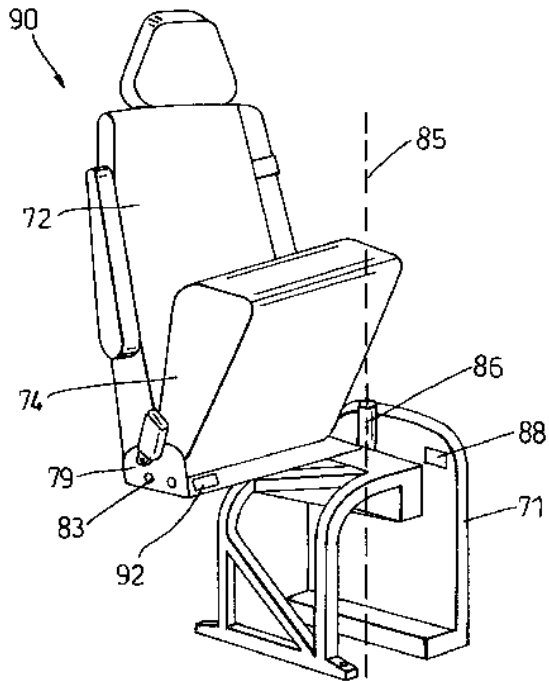
## B60N 2/3047

{the cushion being hinged at the back-rest}

### Definition statement

*This place covers:*

Illustrative example of subject matter classified in this group.





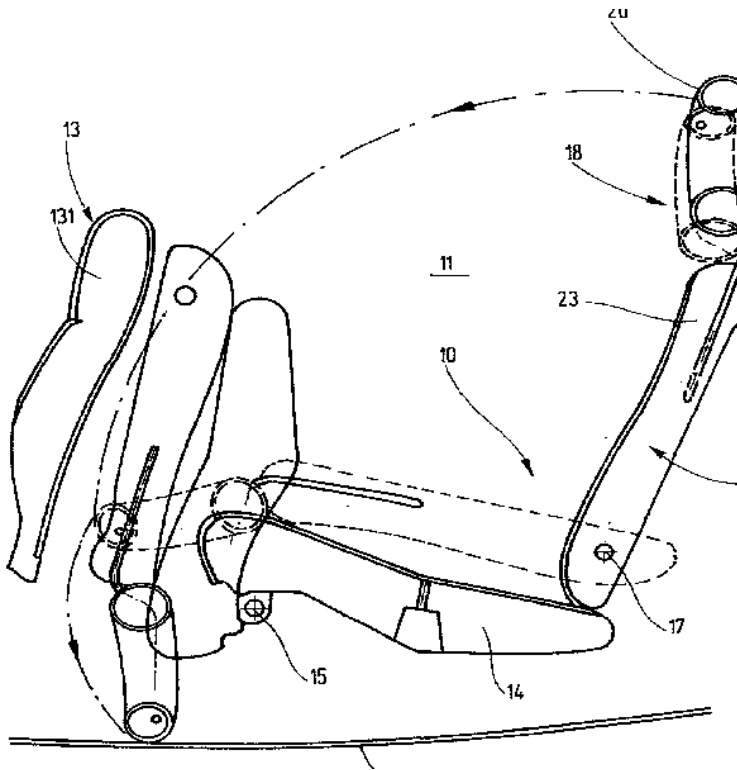
**B60N 2/305**

{the cushion being hinged on the vehicle frame}

**Definition statement**

*This place covers:*

Illustrative example of subject matter classified in this group.



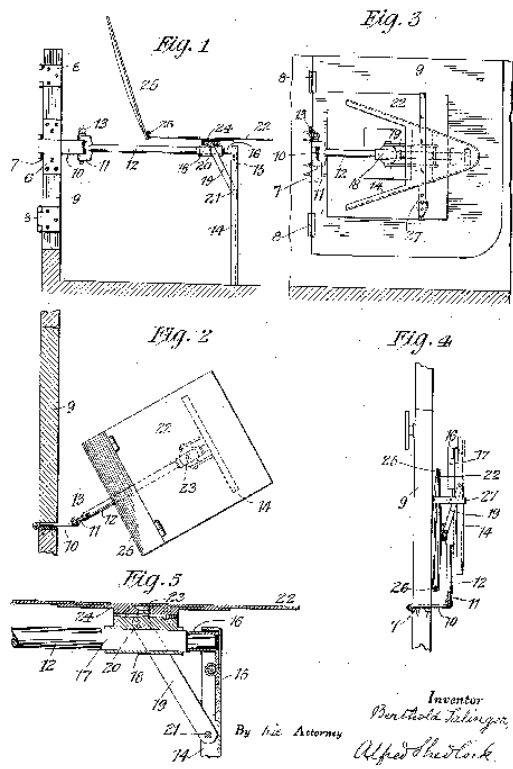
## B60N 2/3052

{about vertical axis}

### Definition statement

This place covers:

Illustrative example of subject matter classified in this group.



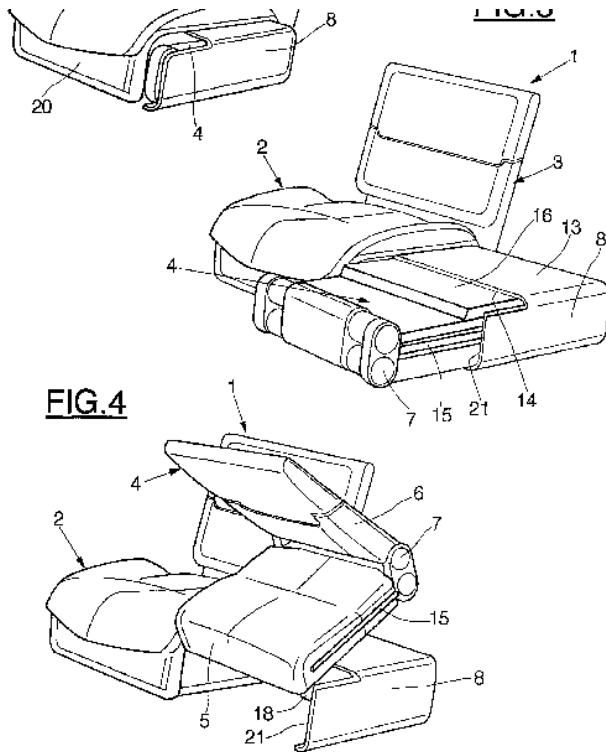
**B60N 2/3056**

{along longitudinal axis}

**Definition statement**

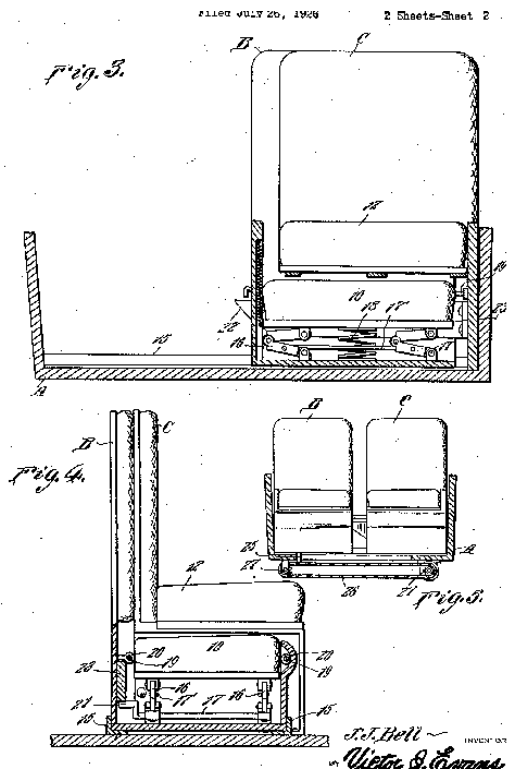
*This place covers:*

Illustrative example of subject matter classified in this group.



**B60N 2/3059****{along transversal axis}****Definition statement***This place covers:*

Illustrative example of subject matter classified in this group.

**B60N 2/3063****{by composed movement}****Glossary of terms***In this place, the following terms or expressions are used with the meaning indicated:*

Composed movement	A movement of a cushion which is composed by different movements at the same time (not sequentially) e.g. the front end of the cushions slides longitudinally while the back end moves about a rod.
-------------------	---

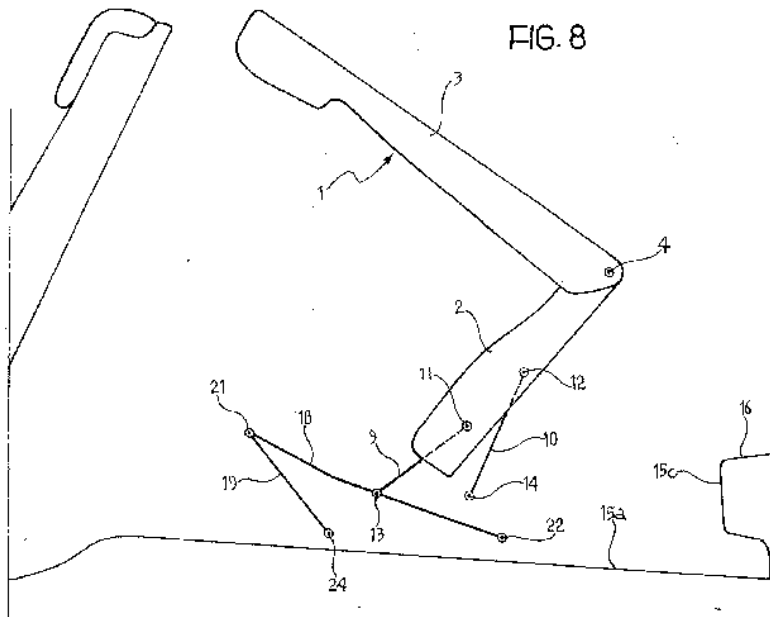
## B60N 2/3065

{in a longitudinal-vertical plane}

### Definition statement

*This place covers:*

Illustrative example of subject matter classified in this group.



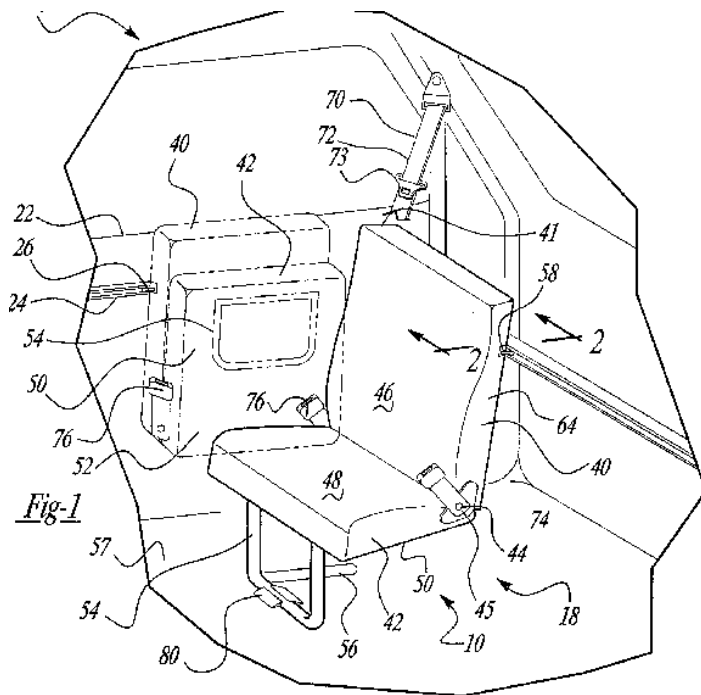
## B60N 2/3068

{in a longitudinal-transversal plane}

### Definition statement

*This place covers:*

Illustrative example of subject matter classified in this group.



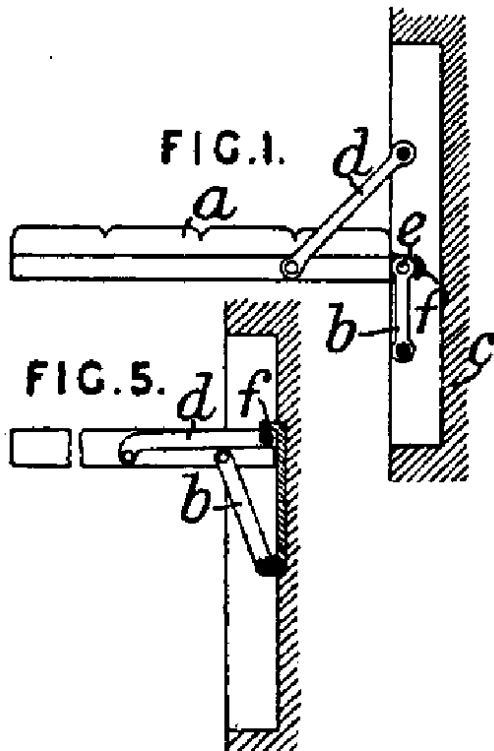
## B60N 2/307

{in a transversal-vertical plane}

### Definition statement

*This place covers:*

Illustrative example of subject matter classified in this group.



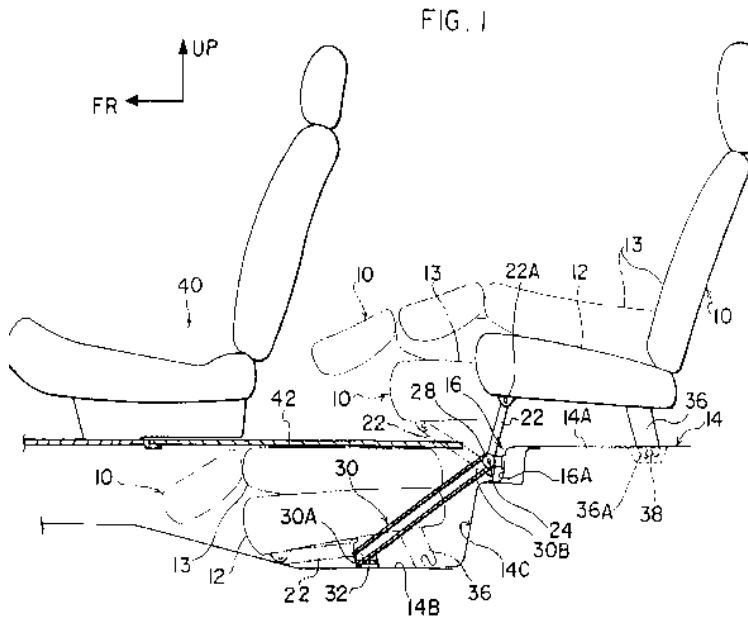
**B60N 2/3075**

{stowed in recess ([B60N 2/3079](#) takes precedence)}

**Definition statement**

*This place covers:*

Illustrative example of subject matter classified in this group.

**References****Limiting references**

*This place does not cover:*

Stowed in a recess of the luggage compartment	<a href="#">B60N 2/3079</a>
---	-----------------------------



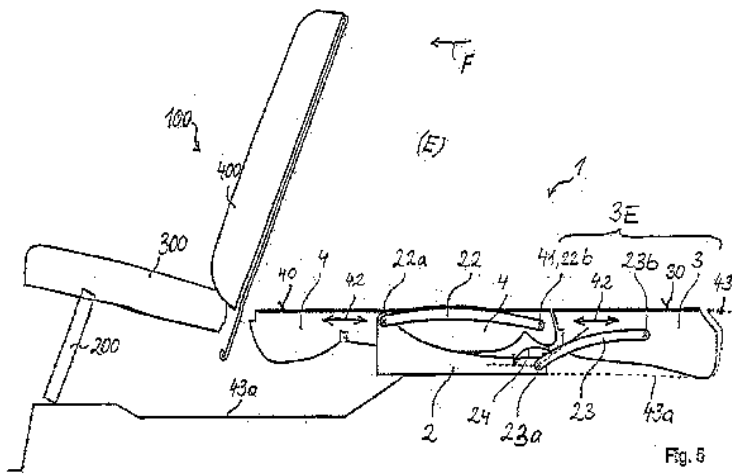
**B60N 2/3077**

{stowed in the luggage compartment}

**Definition statement**

*This place covers:*

Illustrative example of subject matter classified in this group.



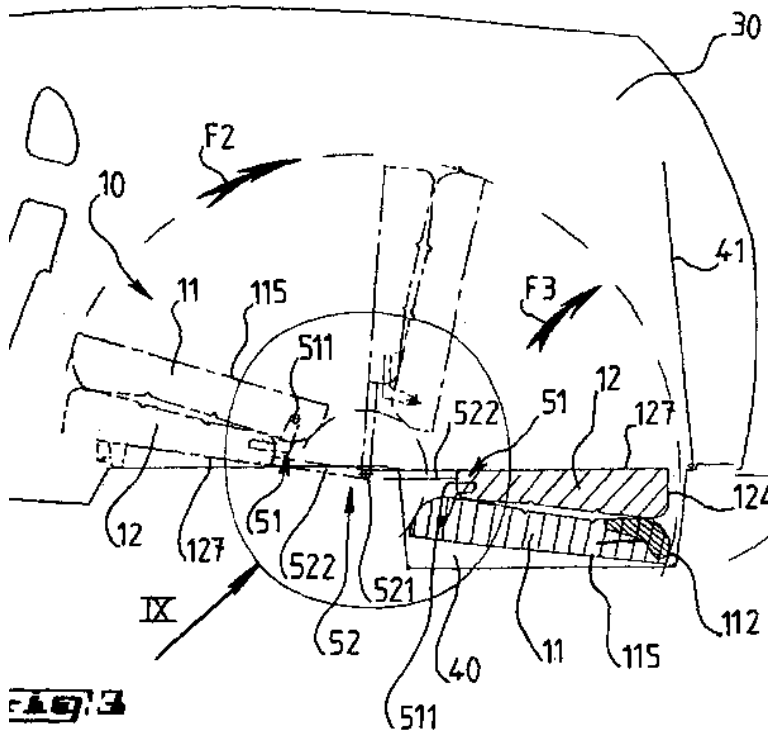
## B60N 2/3079

{in a recess}

### Definition statement

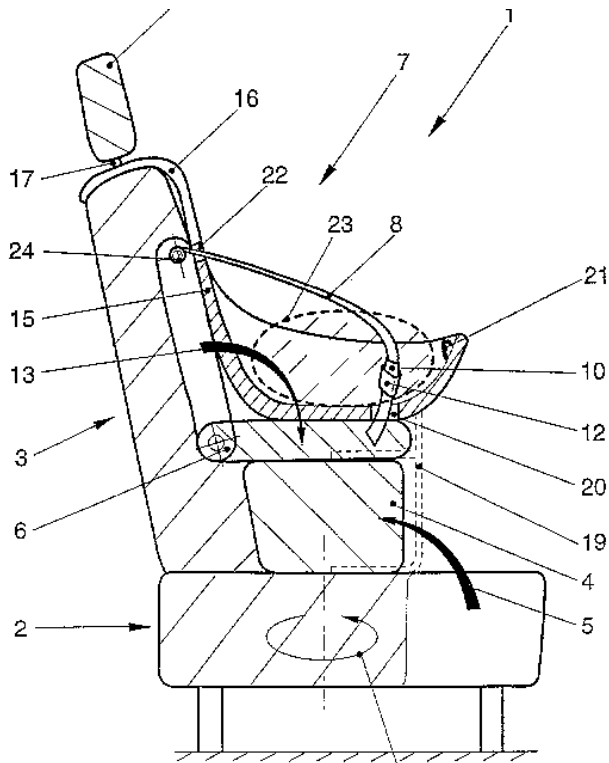
*This place covers:*

Illustrative example of subject matter classified in this group.



**B60N 2/3084****{Disappearing in a recess of the back-rest}****Definition statement***This place covers:*

Illustrative example of subject matter classified in this group.



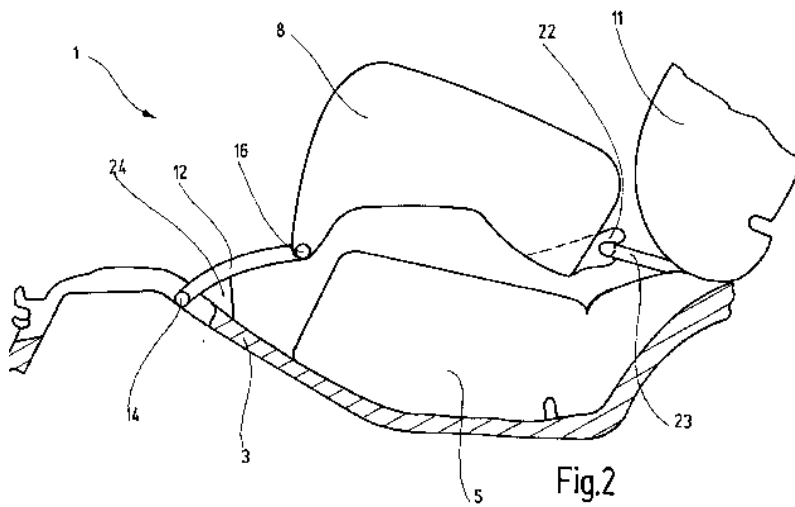
## B60N 2/3086

{Disappearing in a recess of the cushion}

### Definition statement

*This place covers:*

Illustrative example of subject matter classified in this group.



**B60N 2/309****{rods}****Definition statement***This place covers:*

Illustrative example of subject matter classified in this group.

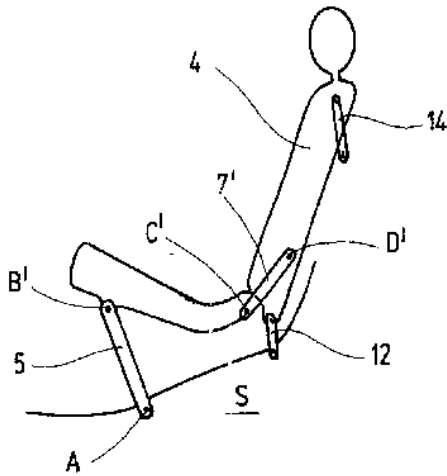


Fig.5

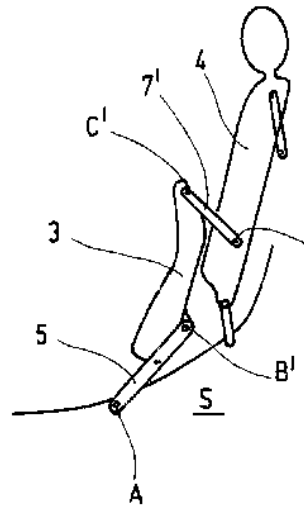


Fig.6

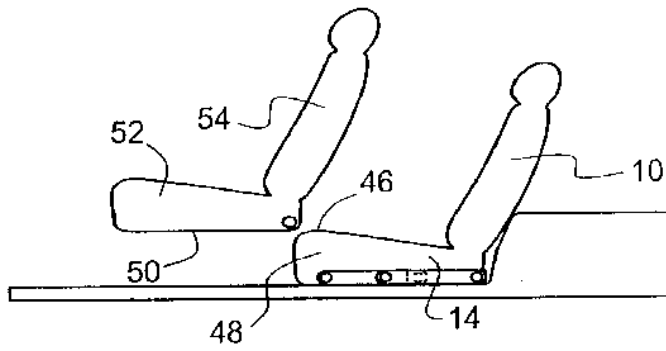
## B60N 2/3093

{slides}

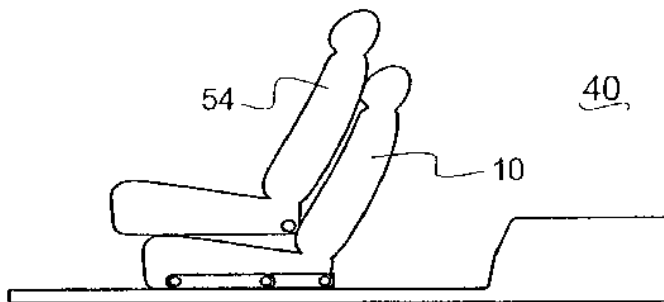
### Definition statement

*This place covers:*

Illustrative example of subject matter classified in this group.



**FIG. - 3c**



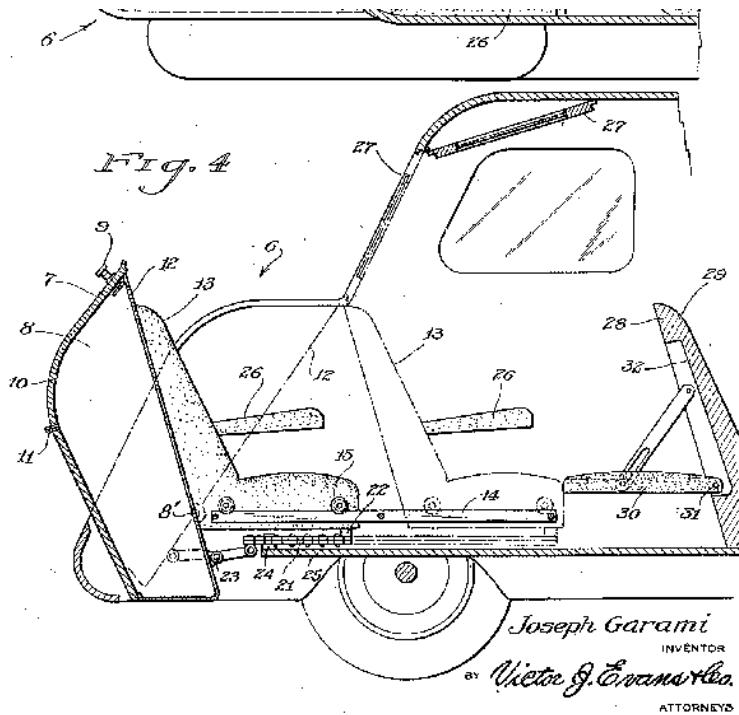
## B60N 2/3095

{Auxiliary rear seats accessible from outside the vehicle when in an in-use position}

### Definition statement

This place covers:

Illustrative example of subject matter classified in this group.



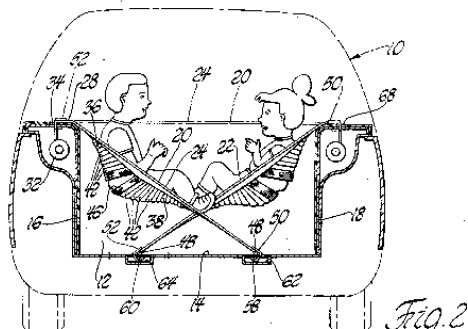
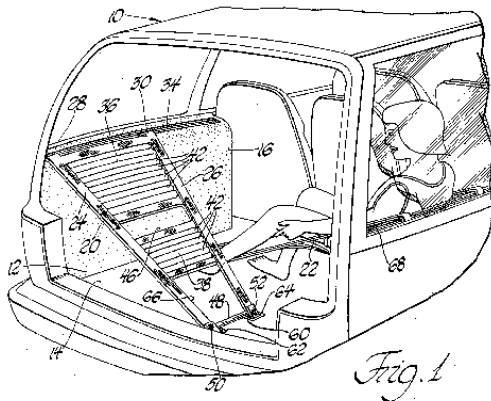
**B60N 2/3097**

{Dismountable seats storable in a non-use position ([B60N 2/015](#), [B60N 2/28](#) take precedence)}

**Definition statement**

*This place covers:*

Illustrative example of subject matter classified in this group.

**References****Limiting references**

*This place does not cover:*

Aspects of the attachment of seats to the vehicle chassis	<a href="#">B60N 2/015</a> , <a href="#">B60N 2/28</a>
---	--

**B60N 2/34**

into a bed

**References****Informative references**

*Attention is drawn to the following places, which may be of interest for search:*

Sleeping arrangements in caravans	<a href="#">B60P 3/38</a>
-----------------------------------	---------------------------



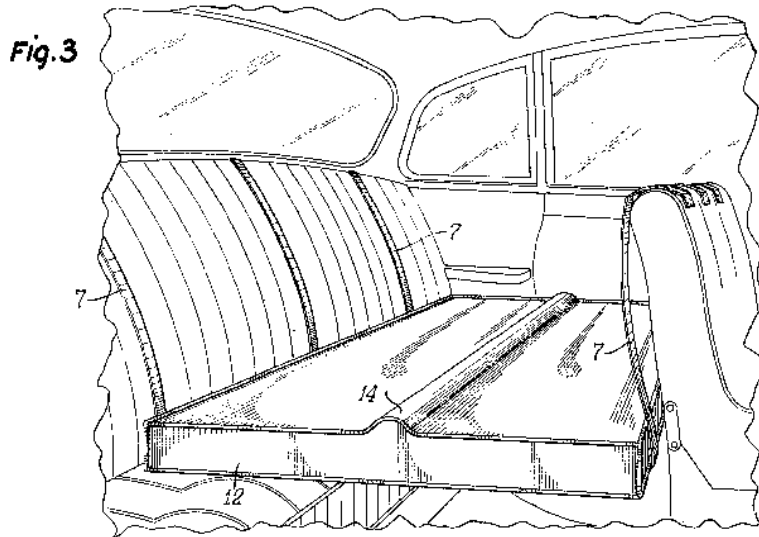
## B60N 2/345

{by adding parts}

### Definition statement

*This place covers:*

Illustrative example of subject matter classified in this group.



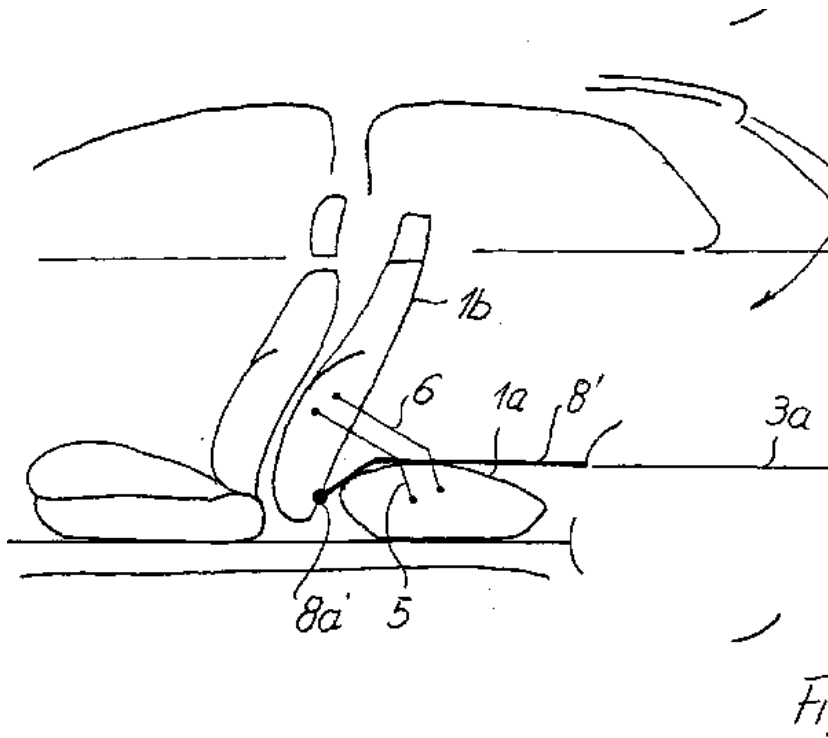
**B60N 2/36**

into a loading platform {(B60N 2/065 takes precedence)}

**Definition statement**

*This place covers:*

Illustrative example of subject matter classified in this group.

**References****Limiting references**

*This place does not cover:*

Rear seats convertible into a loading platform	<a href="#">B60N 2/065</a>
--	----------------------------

**Informative references**

*Attention is drawn to the following places, which may be of interest for search:*

Ski-bags	<a href="#">B60R 5/006</a>
----------	----------------------------

**B60N 2/366**

{characterised by the locking device}

**Definition statement**

*This place covers:*

Seats with locking means at the upper end of the backrest (e.g. connecting the backrest to the car body) without additional option of adjustment of the reclining angle of the back-rest.

**References**

**Limiting references**

*This place does not cover:*

Seats with locking means at the upper end of the backrest (e.g. connecting the backrest to the car body) with additional option of adjustment of the reclining angle of the back-rest	<a href="#">B60N 2/2245</a>
---	-----------------------------

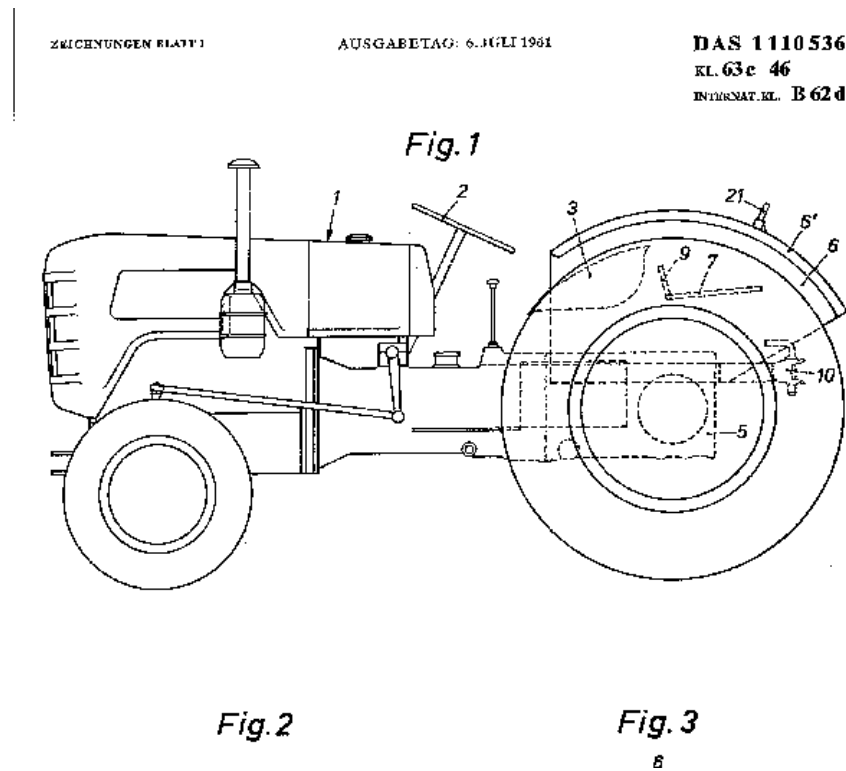
**B60N 2/38**

**specialy constructed for use on tractors or like off-road vehicles**

**Definition statement**

*This place covers:*

Illustrative example of subject matter classified in this group.



**References**

**Limiting references**

*This place does not cover:*

Seats for military or construction vehicle	<a href="#">B60N 2/24</a>
--	---------------------------

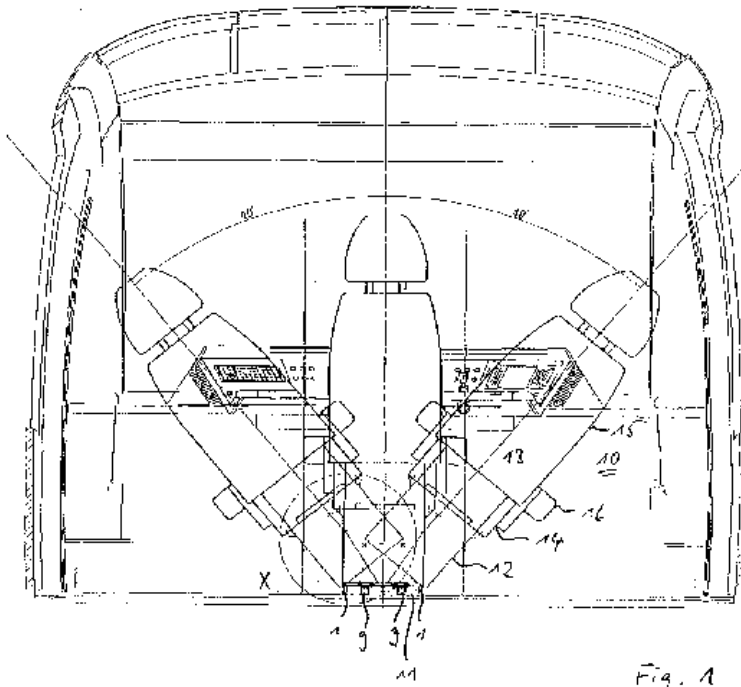
## B60N 2/39

### Seats tiltable to compensate for roll inclination of vehicles

#### Definition statement

*This place covers:*

Illustrative example of subject matter classified in this group.

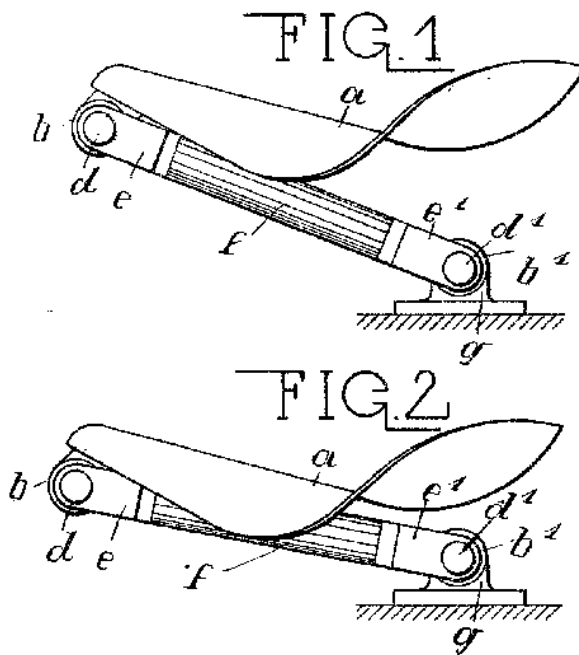


**B60N 2/40****saddle type****Definition statement**

*This place covers:*

Illustrative example of subject matter classified in this group.

Zu der Patentschrift 71951  
Kl. 63g

**B60N 2/42**

the seat constructed to protect the occupant from the effect of abnormal g-forces, e.g. crash or safety seats (for protecting children [B60N 2/26](#); arm-rests [B60N 2/75](#); head-rests [B60N 2/888](#))

**References****Limiting references**

*This place does not cover:*

for protecting children	<a href="#">B60N 2/26</a>
arm-rests	<a href="#">B60N 2/75</a>
head-rests	<a href="#">B60N 2/888</a>

**Informative references**

*Attention is drawn to the following places, which may be of interest for search:*

built-in air bags	<a href="#">B60R 21/207</a>
-------------------	-----------------------------

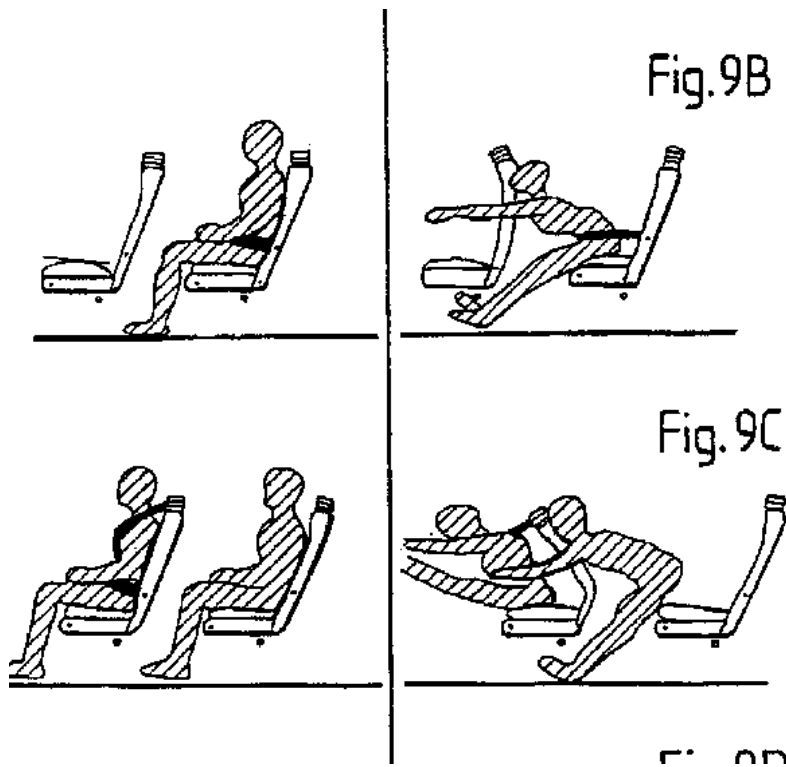
## B60N 2/4221

{due to impact coming from the front}

### Definition statement

*This place covers:*

Illustrative example of subject matter classified in this group.



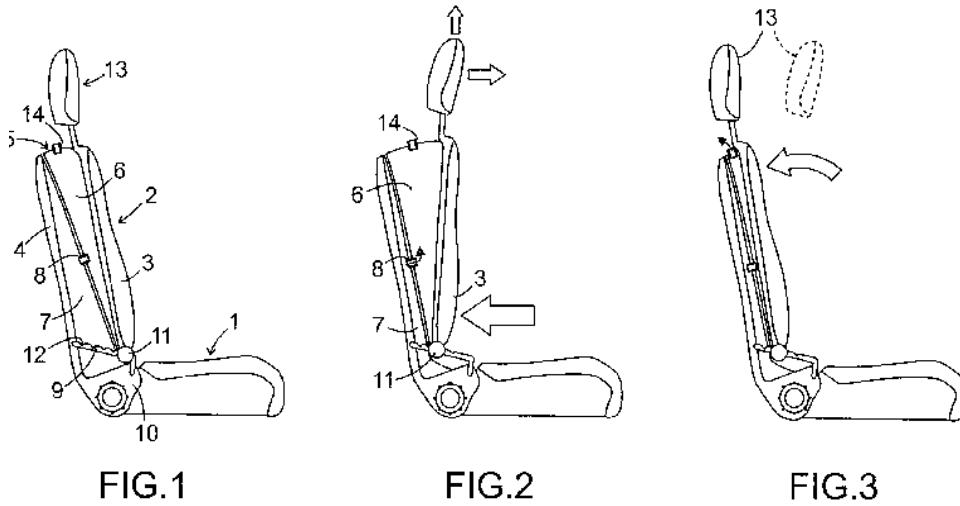
**B60N 2/4228**

{due to impact coming from the rear}

**Definition statement**

*This place covers:*

Illustrative example of subject matter classified in this group.



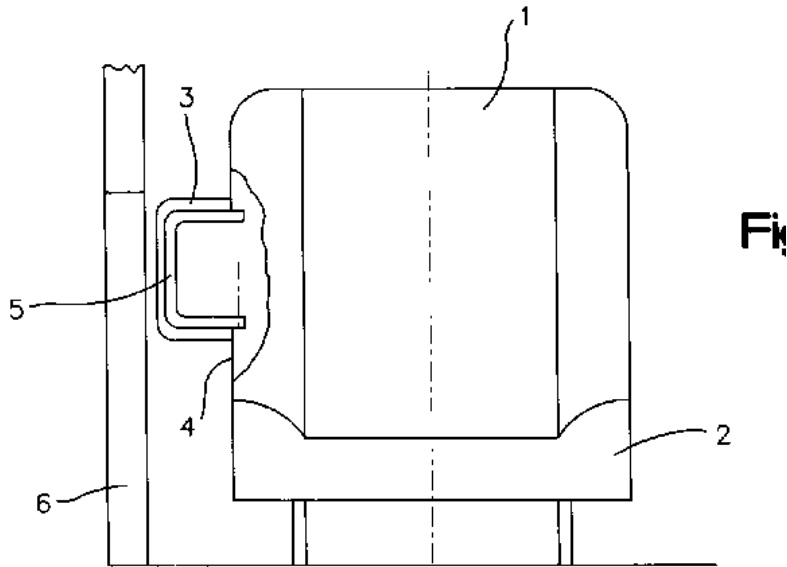
## B60N 2/4235

{transversal}

### Definition statement

*This place covers:*

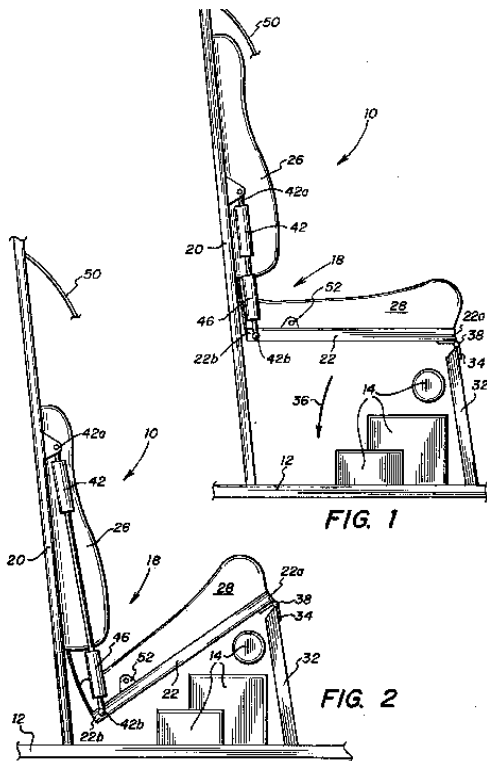
Illustrative example of subject matter classified in this group.





**B60N 2/4242****{vertical}****Definition statement***This place covers:*

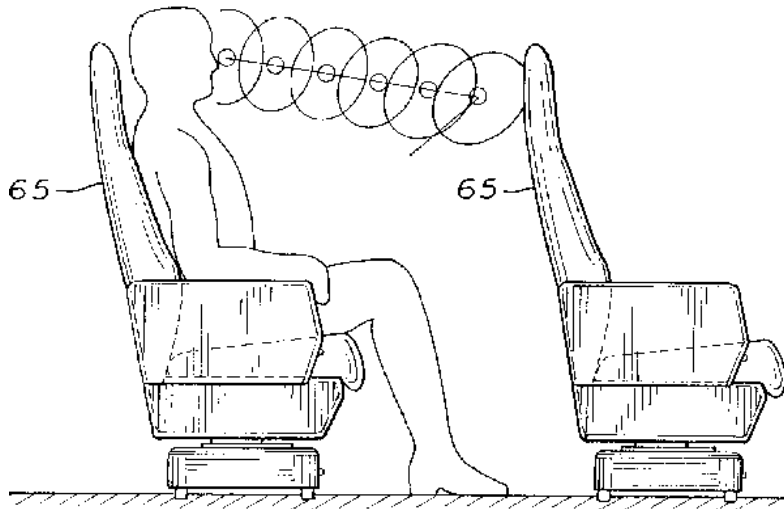
Illustrative example of subject matter classified in this group.

**B60N 2/4249****{fixed structures, i.e. where neither the seat nor a part thereof are displaced during a crash}****Definition statement***This place covers:*

Seats with rigid structures which keep their form and which are not displaced during a vehicle crash

Illustrative example of subject matter classified in this group.

FIG. 1



## References

### Informative references

Attention is drawn to the following places, which may be of interest for search:

Seats or parts thereof being displaced during a crash	<a href="#">B60N 2002/247</a>
---	-------------------------------

## B60N 2/4256

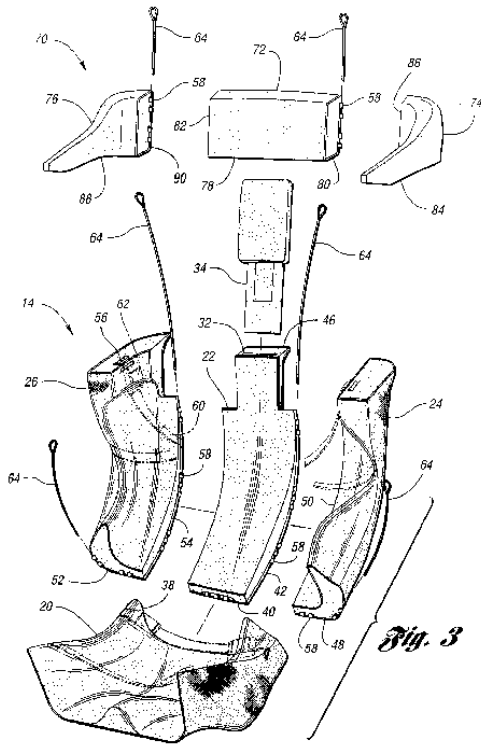
{the shape of the seat being specially adapted for a particular purpose or for particular vehicles}

### Definition statement

*This place covers:*

Seats with adaptations for special vehicles, e.g. for race cars having different requirements than for a normal vehicle.

Illustrative example of subject matter classified in this group.



## B60N 2/4263

{with anti-submarining systems}

### Definition statement

*This place covers:*

Illustrative example of subject matter classified in this group.

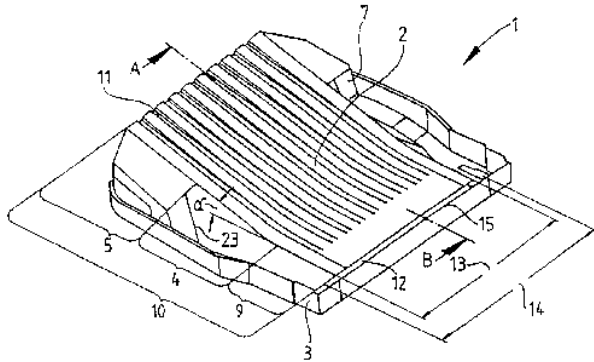
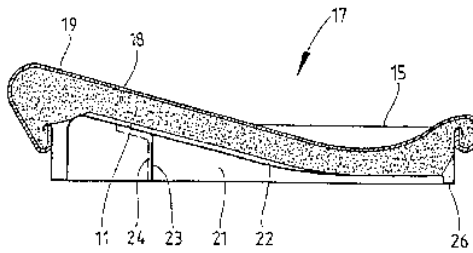


Fig. 2



## B60N 2/42709

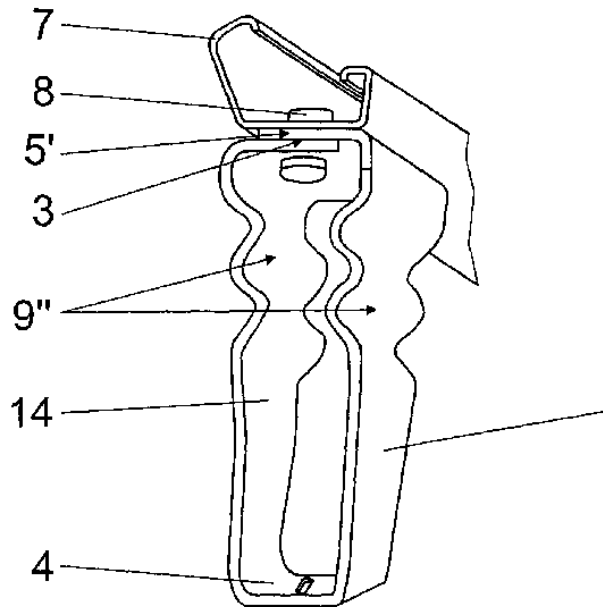
{involving residual deformation or fracture of the structure}

### Definition statement

*This place covers:*

Illustrative example of subject matter classified in this group.

Veröffentlich



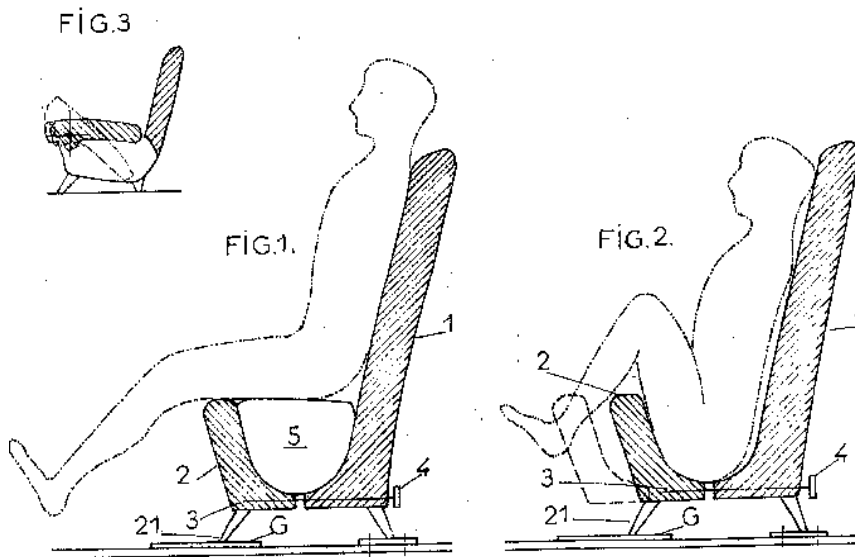
## B60N 2/42718

{with anti-submarining systems}

### Definition statement

*This place covers:*

Illustrative example of subject matter classified in this group.



**B60N 2/42745**

{of the back-rest ([B60N 2/433](#) takes precedence; higher part of the back-rest moving together with the headrest [B60N 2/888](#))}

**Definition statement**

*This place covers:*

Illustrative example of subject matter classified in this group.

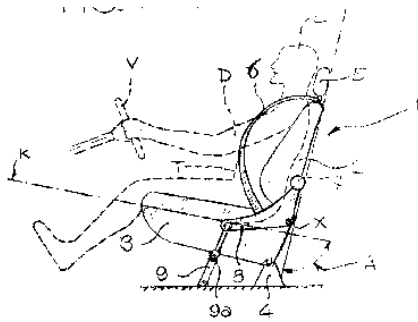
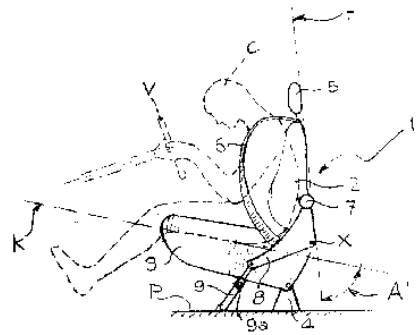


FIG. 2

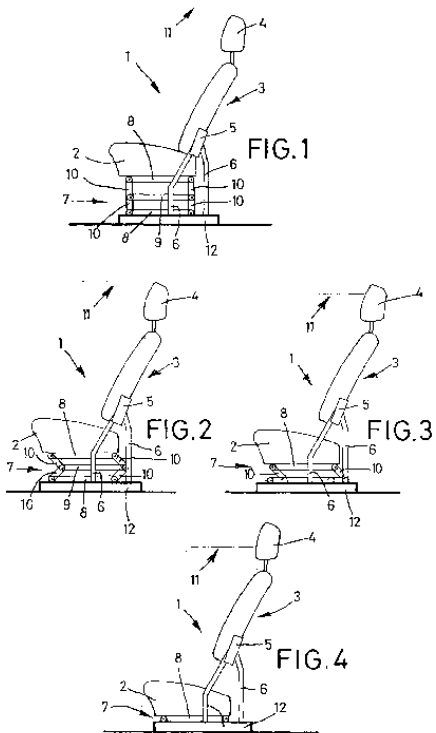
**References****Limiting references**

*This place does not cover:*

Safety locks for back-rests	<a href="#">B60N 2/433</a>
higher part of the back-rest moving together with the headrest	<a href="#">B60N 2/888</a>

**B60N 2/42754****{of the cushion}****Definition statement***This place covers:*

Illustrative example of subject matter classified in this group.





## B60N 2/42763

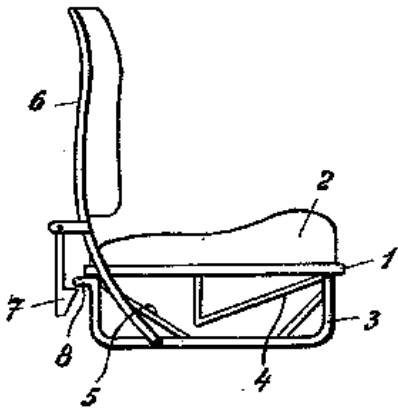
{with anti-submarining systems}

### Definition statement

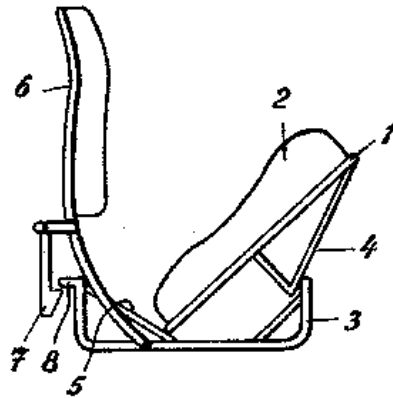
This place covers:

Illustrative example of subject matter classified in this group.

*Fig. 1*

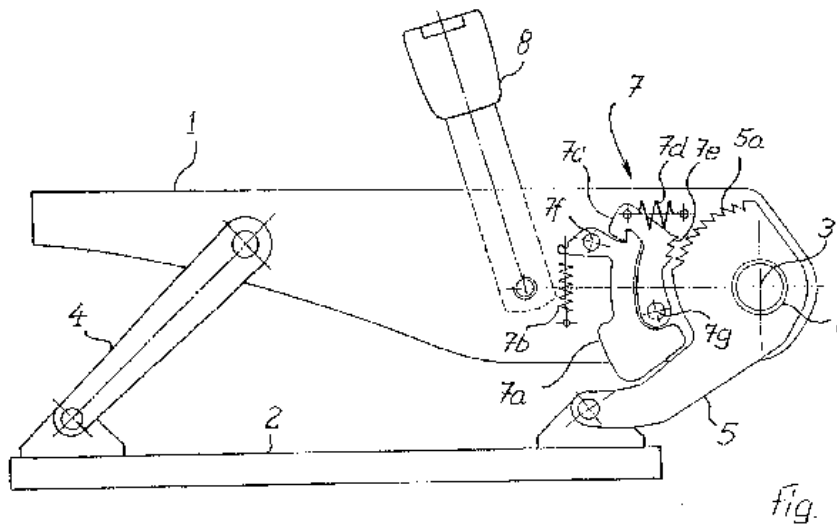


*Fig. 2*



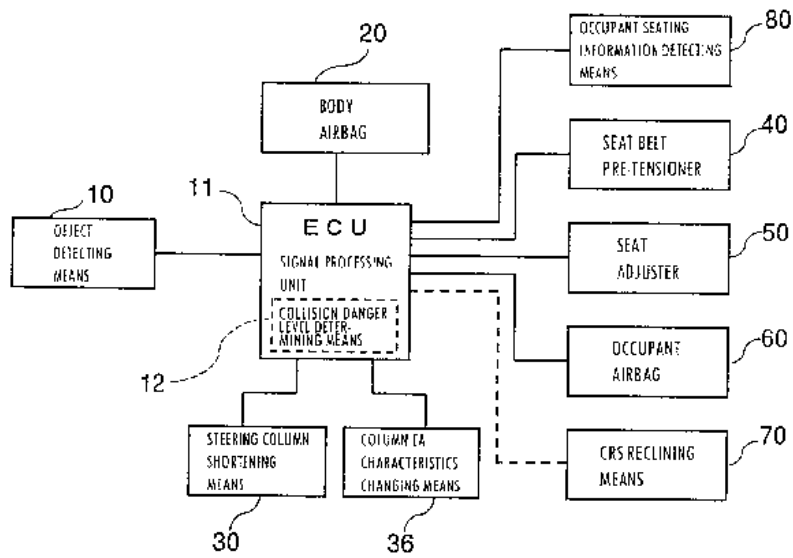
**B60N 2/42781****{mechanical triggering}****Definition statement***This place covers:*

Illustrative example of subject matter classified in this group.



**B60N 2/4279****{electric or electronic triggering}****Definition statement***This place covers:*

Illustrative example of subject matter classified in this group.

**FIG. 2**

**B60N 2/433****Safety locks for back-rests, e.g. with locking bars activated by inertia****Definition statement**

*This place covers:*

Illustrative example of subject matter classified in this group.

Fig. 5

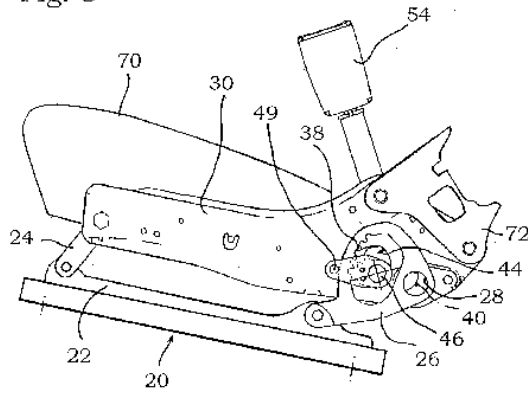
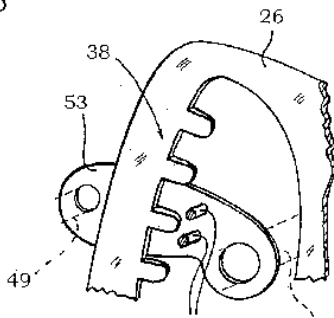


Fig. 6



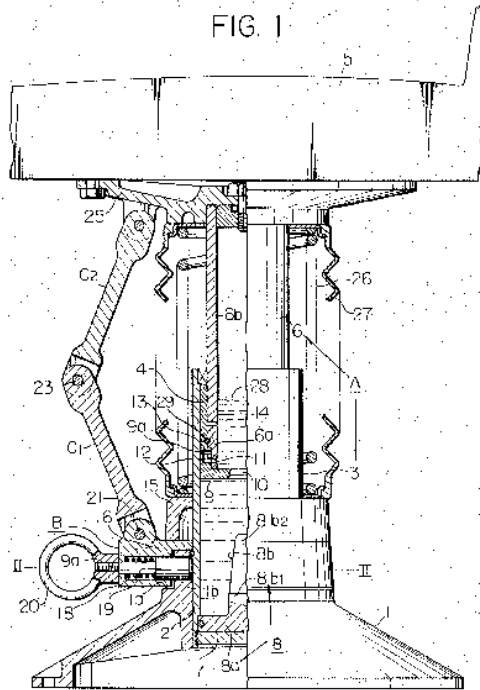
## B60N 2/50

### Seat suspension devices

#### Definition statement

*This place covers:*

Illustrative example of subject matter classified in this group.



#### References

##### *Informative references*

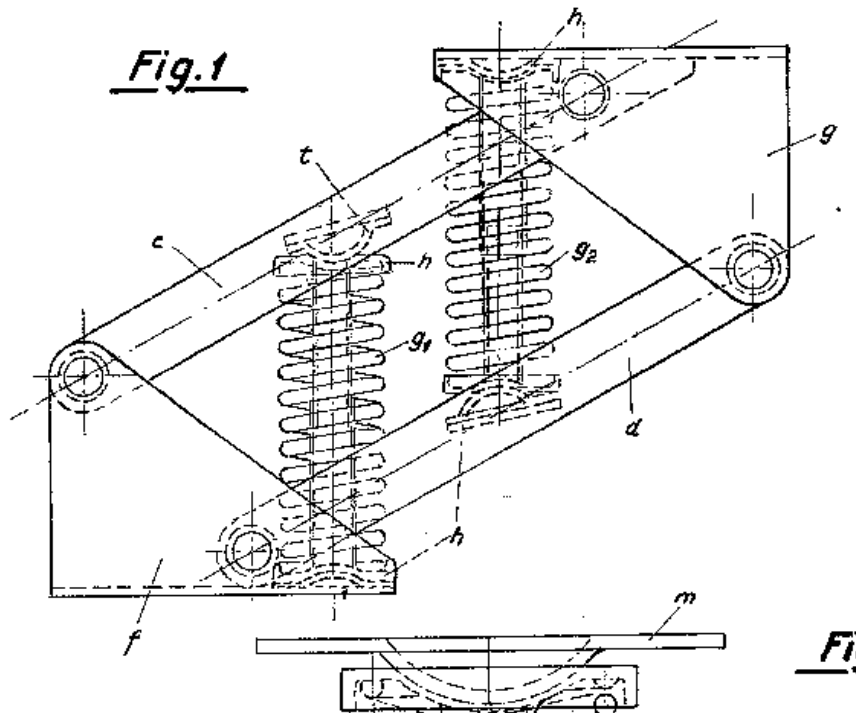
*Attention is drawn to the following places, which may be of interest for search:*

Vehicle suspension arrangements	<a href="#">B60G</a>
---------------------------------	----------------------

**B60N 2/54****using mechanical springs****Definition statement**

*This place covers:*

Illustrative example of subject matter classified in this group.

**References****Informative references**

Attention is drawn to the following places, which may be of interest for search:

springs in general	<a href="#">F16F</a>
--------------------	----------------------

**B60N 2/5614**

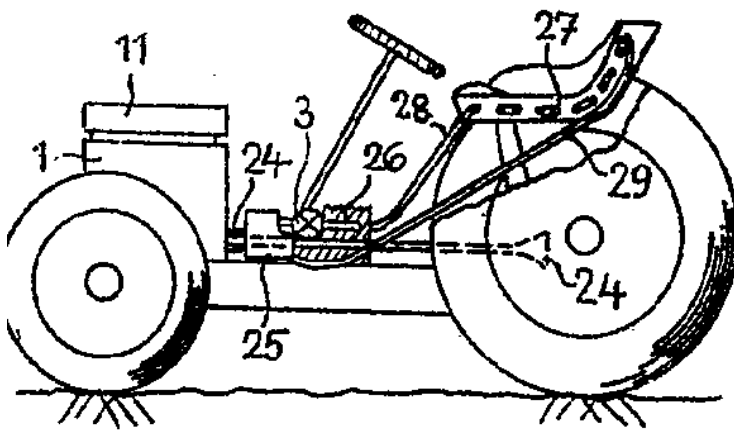
{by liquid}

**Definition statement**

*This place covers:*

Illustrative example of subject matter classified in this group.

Fig.5



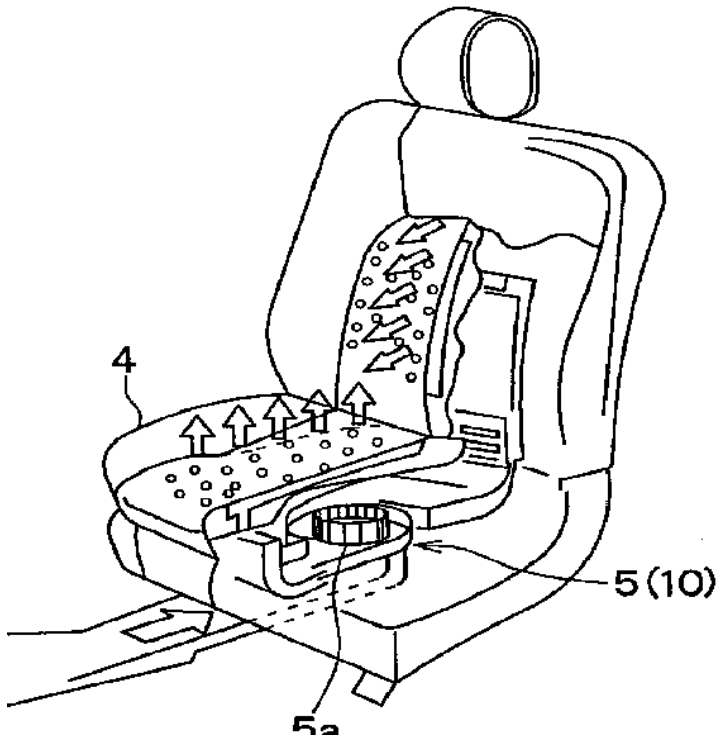
## B60N 2/5628

{coming from the vehicle ventilation system, e.g. air-conditioning system}

### Definition statement

*This place covers:*

Illustrative example of subject matter classified in this group.





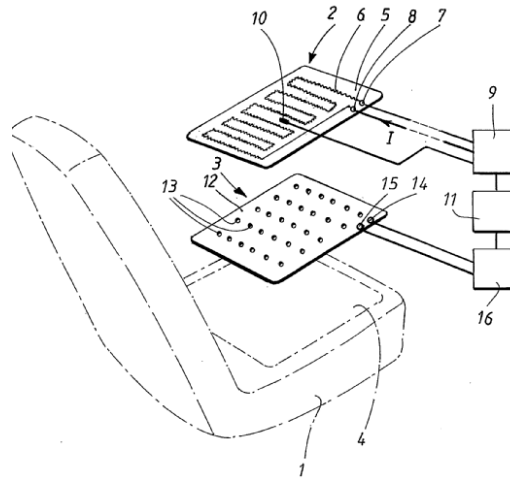
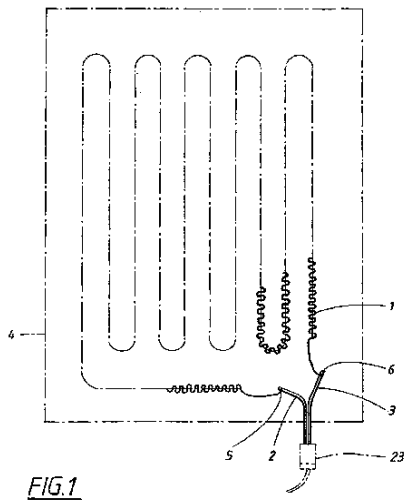
## B60N 2/5685

{Resistance}

### Definition statement

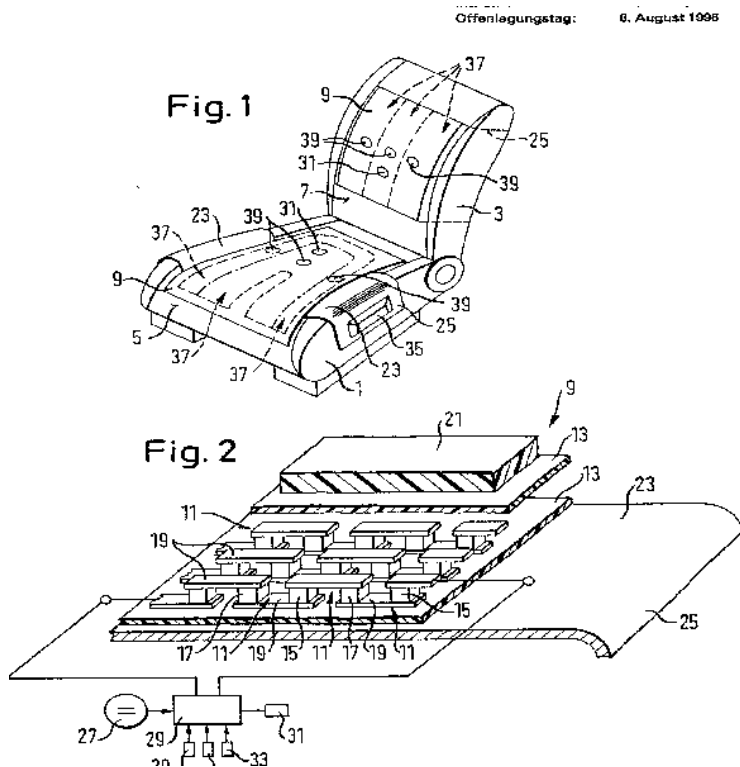
*This place covers:*

Illustrative example of subject matter classified in this group.



**B60N 2/5692****{Refrigerating means}****Definition statement***This place covers:*

Illustrative example of subject matter classified in this group.

**B60N 2/58****Seat coverings****Definition statement***This place covers:*

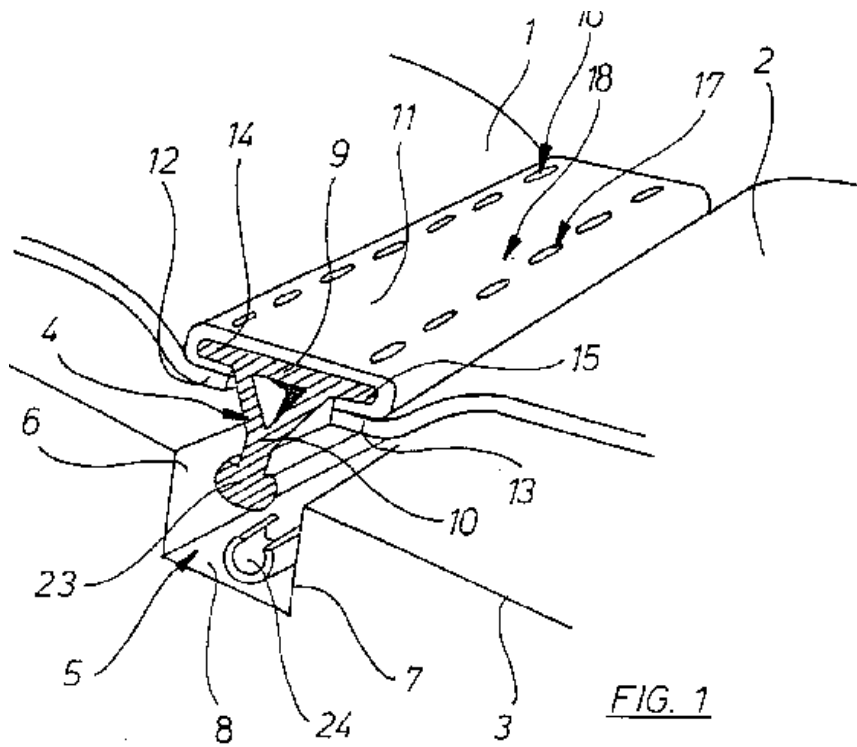
Seat coverings which come with the car as produced by the car manufacturer.

**References****Informative references***Attention is drawn to the following places, which may be of interest for search:*

Removable protective coverings, meaning additional coverings (additional with respect to the coverings of <a href="#">B60N 2/58</a> ) which are removable by quick release means	<a href="#">B60N 2/60</a>
--	---------------------------

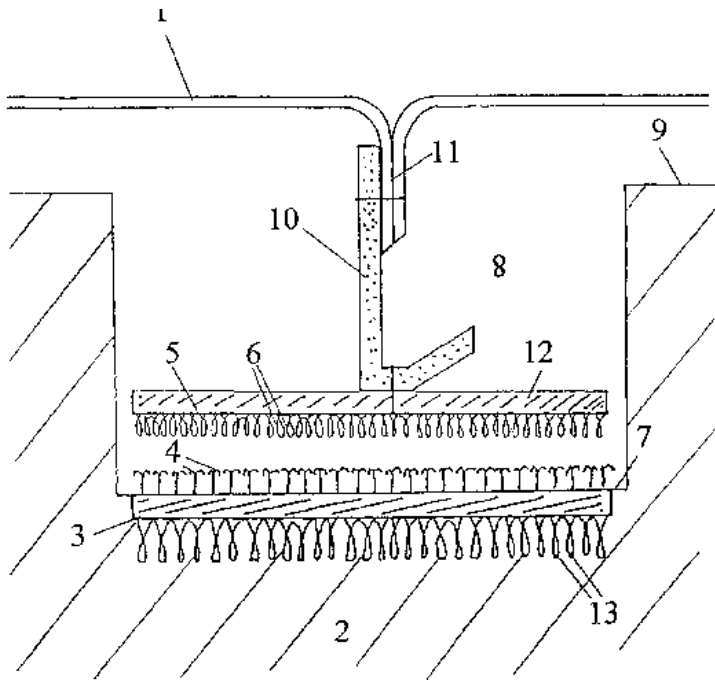
**B60N 2/5825****{by hooks, staples, clips, snap fasteners or the like}****Definition statement***This place covers:*

Illustrative example of subject matter classified in this group.



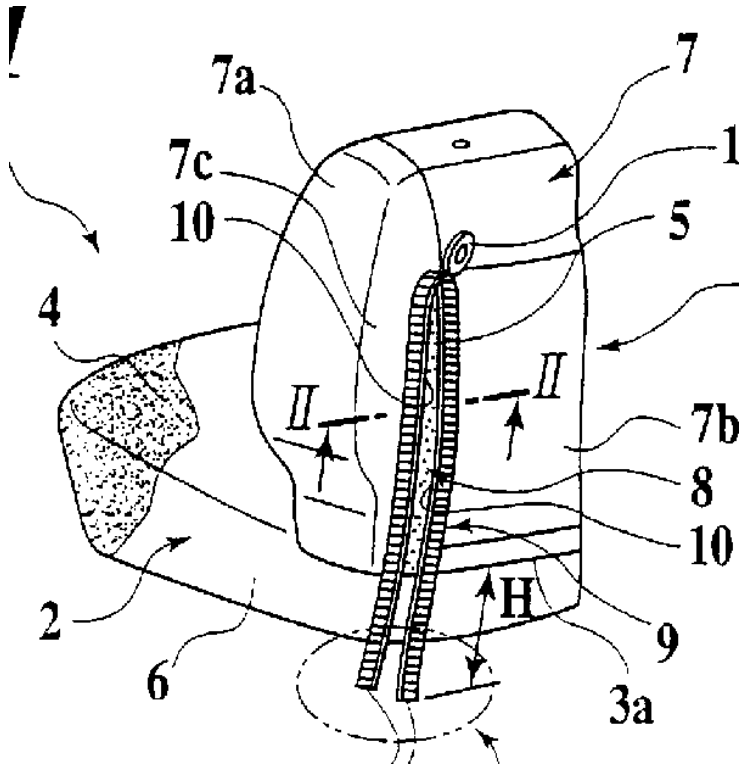
**B60N 2/5833****{by hook-and-loop type fasteners}****Definition statement***This place covers:*

Illustrative example of subject matter classified in this group.



**B60N 2/585****{by buckle passages}****Definition statement***This place covers:*

Illustrative example of subject matter classified in this group.



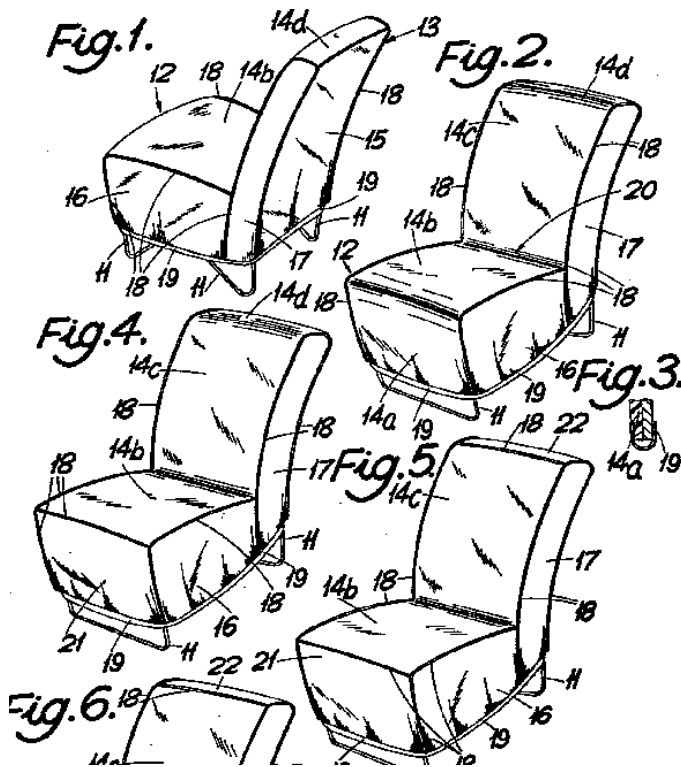
## B60N 2/5858

{by elastic means}

### Definition statement

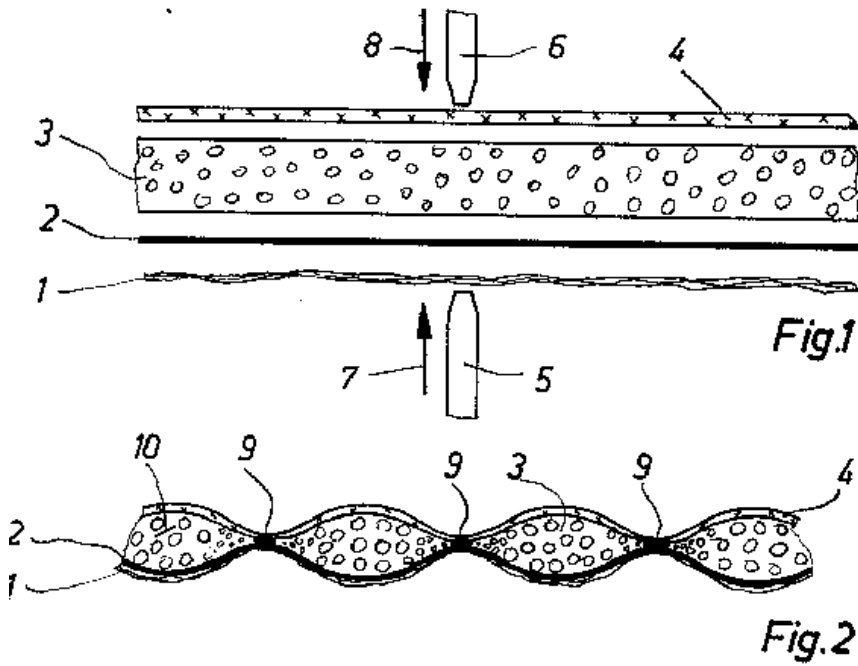
This place covers:

Illustrative example of subject matter classified in this group.



**B60N 2/5866****{by thermal welding}****Definition statement***This place covers:*

Illustrative example of subject matter classified in this group.



6 R 14

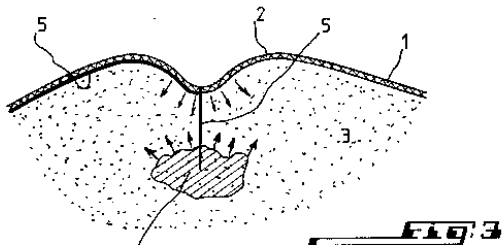
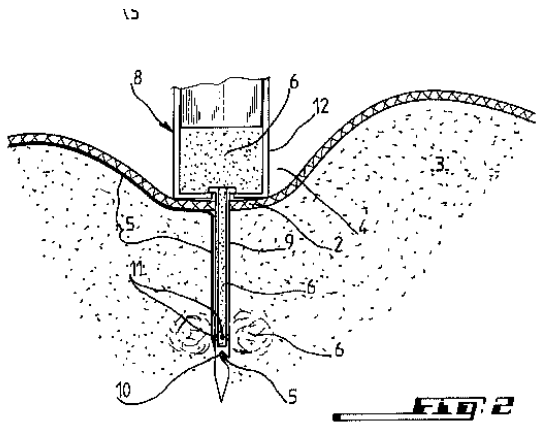
## B60N 2/5875

{by adhesion, e.g. gluing}

### Definition statement

*This place covers:*

Illustrative example of subject matter classified in this group.





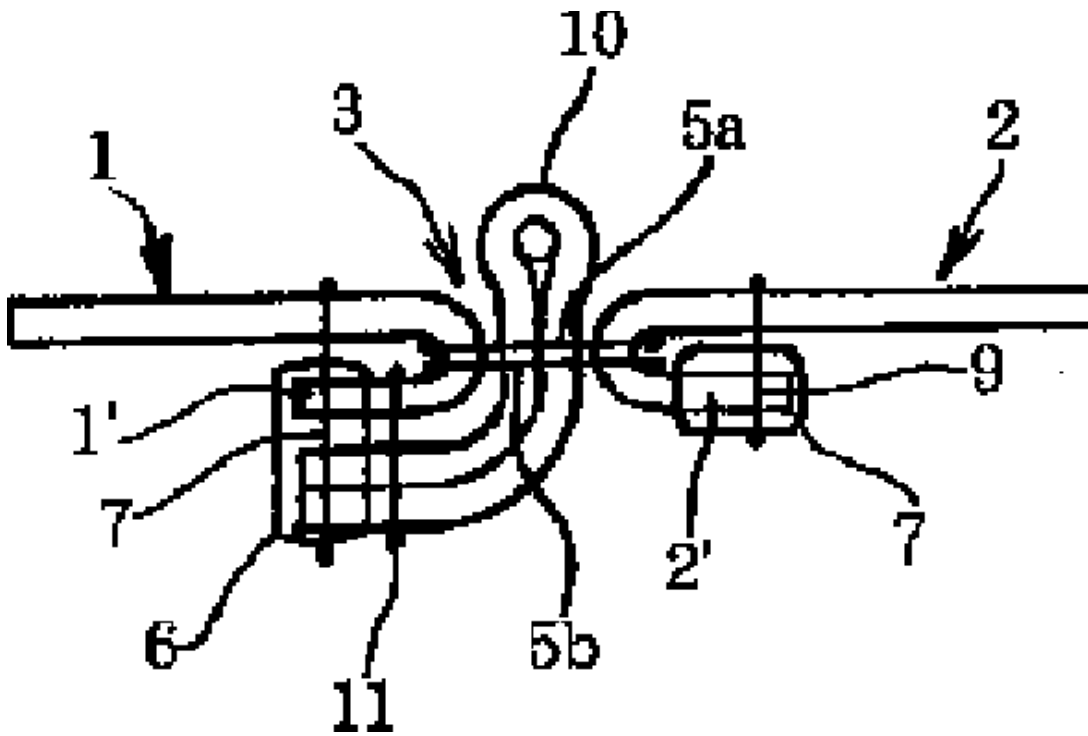
**B60N 2/5883**

{by sewing, stitching or threading}

**Definition statement**

*This place covers:*

Illustrative example of subject matter classified in this group.



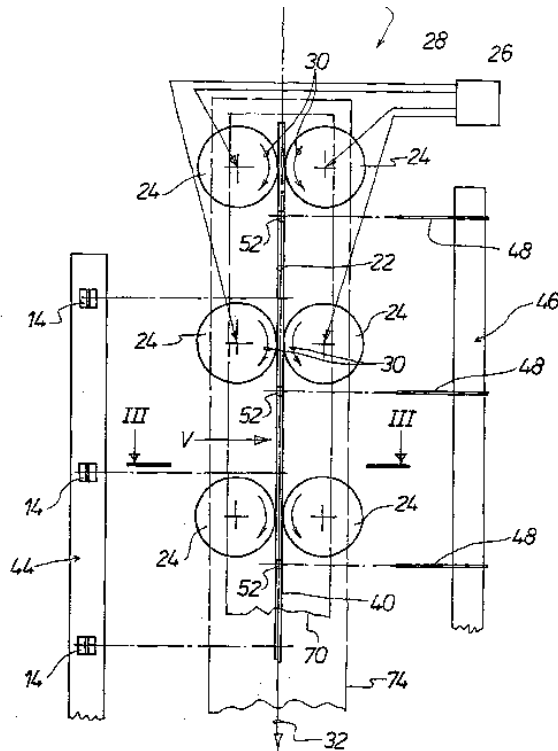
## B60N 2/5891

{characterised by the manufacturing process; manufacturing seat coverings not otherwise provided for}

### Definition statement

*This place covers:*

Illustrative example of subject matter classified in this group.



### References

#### Informative references

Attention is drawn to the following places, which may be of interest for search:

Manufacturing of seat covers in general	<a href="#">A47C 3/00</a>
---	---------------------------

## B60N 2/60

### Removable protective coverings

#### Glossary of terms

*In this place, the following terms or expressions are used with the meaning indicated:*

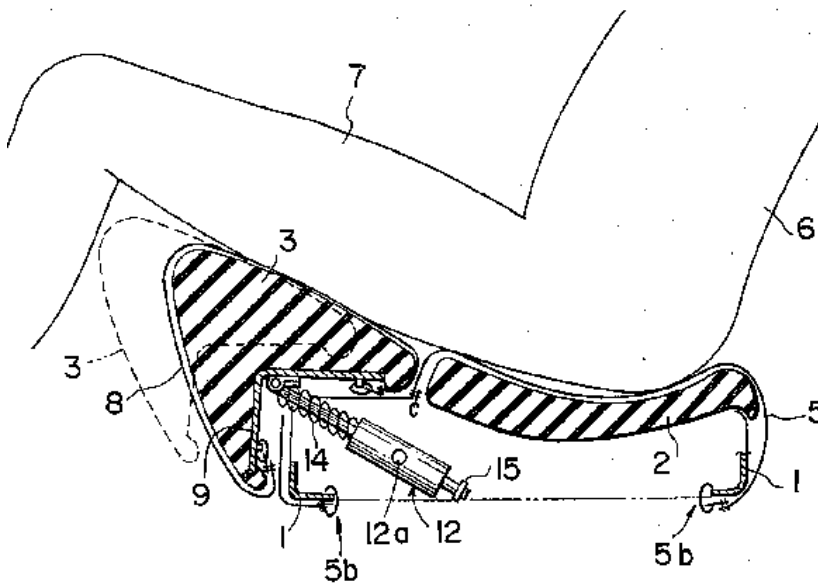
Removable protective coverings	meaning additional coverings (additional with respect to the coverings of <a href="#">B60N 2/58</a> ) which are removable by quick release means
--------------------------------	--

**B60N 2/6009****{covering more than only the seat}****Glossary of terms***In this place, the following terms or expressions are used with the meaning indicated:*

More than the seat	more than the cushion and the back-rest e.g. the region between the cushion and the floor e.g. the legs connecting the cushion to the floor
--------------------	---

**B60N 2/62****Thigh-rests {(B60N 2/914 takes precedence)}****Definition statement***This place covers:*

Illustrative example of subject matter classified in this group.

**FIG.5****References****Limiting references***This place does not cover:*

Hydro-pneumatic adjustments of the thigh-rest shape without displacing the thigh-rest or expanding its surface	<a href="#">B60N 2/914</a>
--	----------------------------

**Informative references**

Attention is drawn to the following places, which may be of interest for search:

Seats with no extra thigh rest element, where the front end of the seat cushion can be lifted	<a href="#">B60N 2/1835</a> , <a href="#">B60N 2/1839</a>
Lower leg rests (e.g. calf rests)	<a href="#">B60N 2/995</a>

**B60N 2/643**

{shape of the back-rests ([B60N 2/66](#) takes precedence)}

**Definition statement**

This place covers:

Illustrative example of subject matter classified in this group.

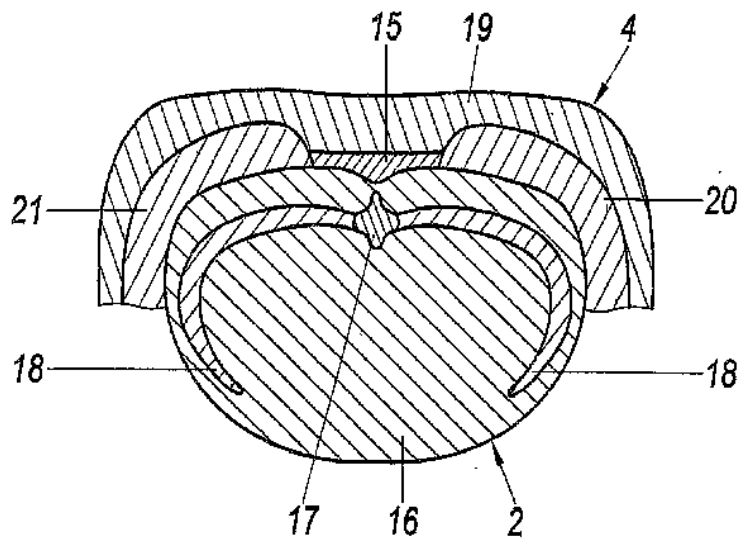


Fig. 1

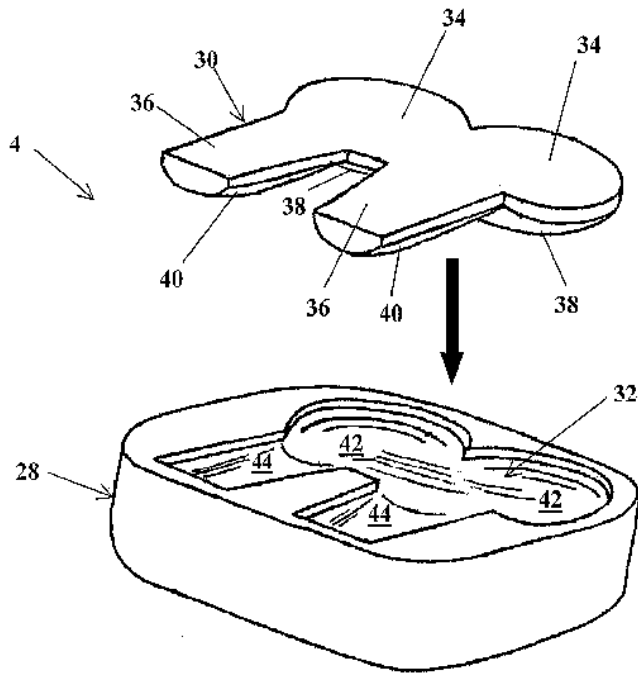
**References****Limiting references**

This place does not cover:

Lumbar supports	<a href="#">B60N 2/66</a>
-----------------	---------------------------

**B60N 2/646****{shape of the cushion}****Definition statement***This place covers:*

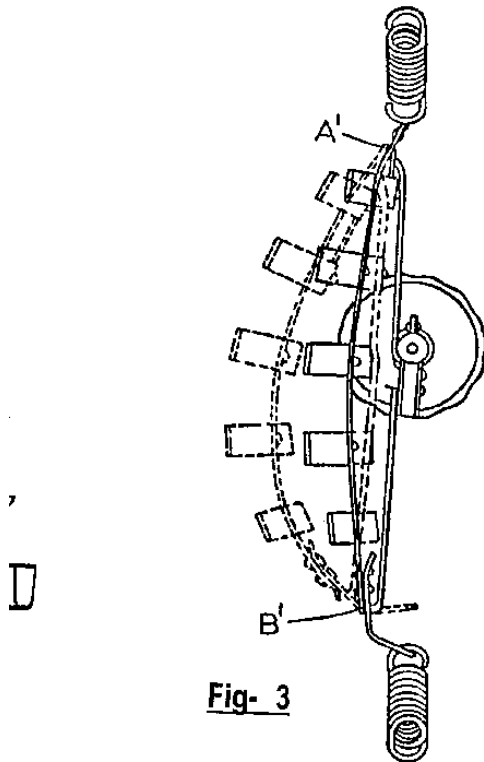
Illustrative example of subject matter classified in this group.



**B60N 2/66****Lumbar supports****Definition statement**

*This place covers:*

Illustrative example of subject matter classified in this group.

**B60N 2/667**

{having flexible support member bowed by applied forces}

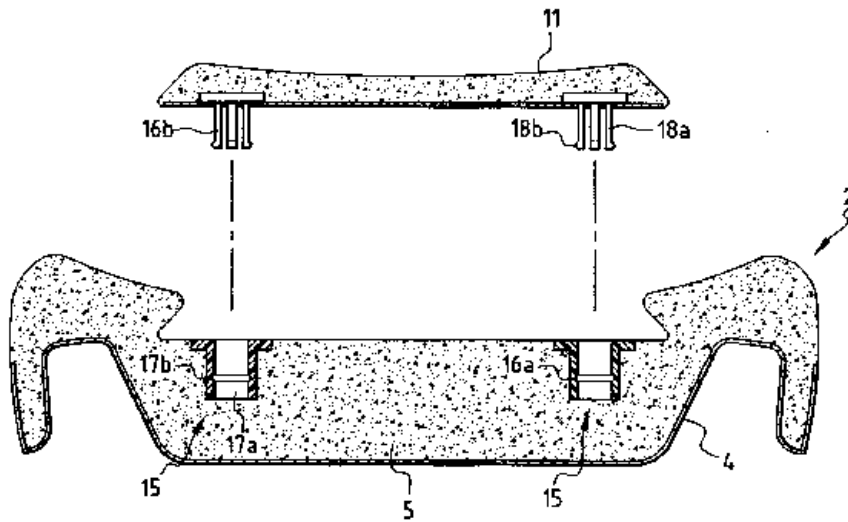
**Definition statement**

*This place covers:*

Lumbar supports that are mounted by a bendable mounting member that is curved by applying forces to the mounting member. The force could be generated by the seated person.

**B60N 2/7005****{detachable}****Definition statement***This place covers:*

Illustrative example of subject matter classified in this group.

**FIG. 2**

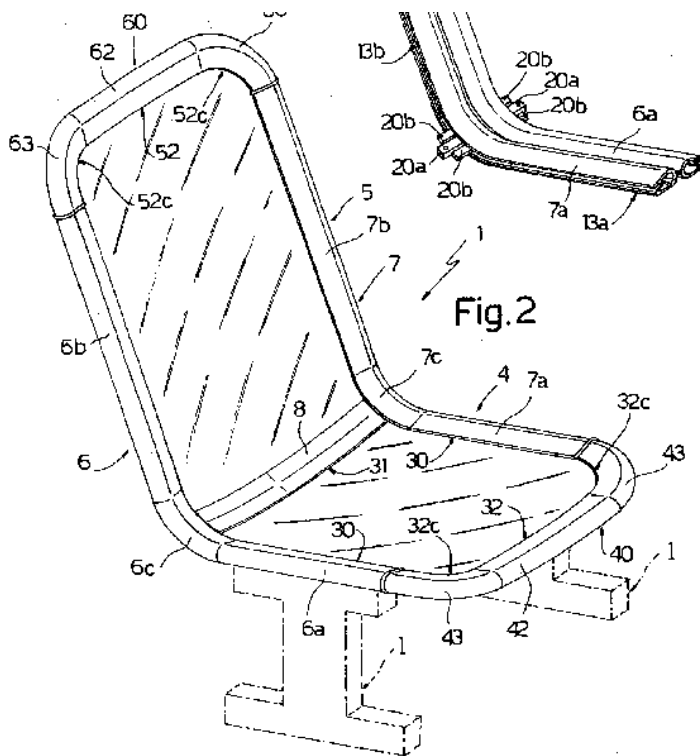
## B60N 2/7011

{of substantially two-dimensional shape, e.g. hammock-like, plastic shells, fabrics}

### Definition statement

*This place covers:*

Illustrative example of subject matter classified in this group.





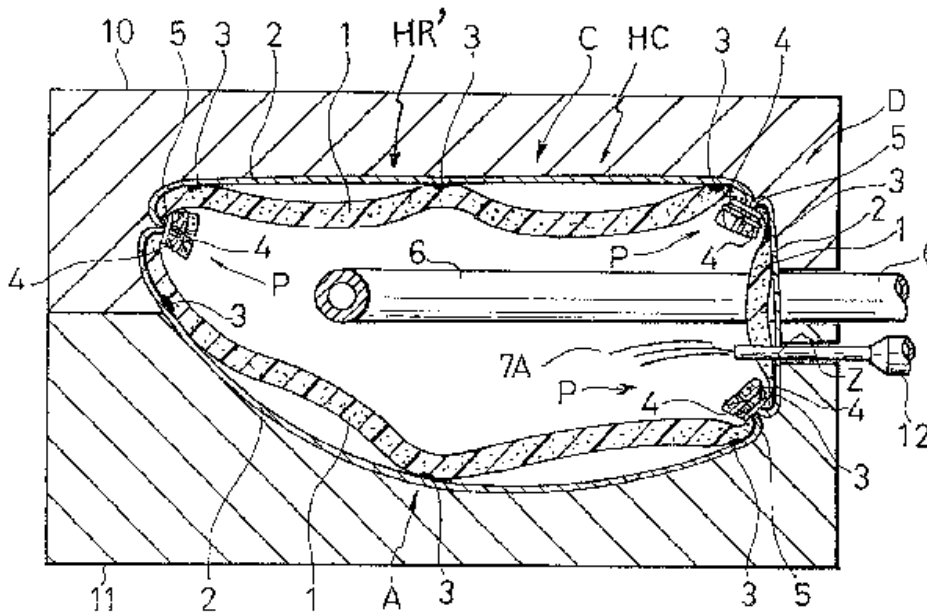
**B60N 2/7017**

{characterised by the manufacturing process; manufacturing upholstery or upholstery springs not otherwise provided for}

**Definition statement**

*This place covers:*

Illustrative example of subject matter classified in this group.

**References****Informative references**

Attention is drawn to the following places, which may be of interest for search:

Manufacturing of seat upholstery in general	<a href="#">A47C 7/00</a>
Shaping of substances in a plastic state in general	<a href="#">B29C</a>

**B60N 2/7023**

{Coach-like constructions}

**Glossary of terms**

*In this place, the following terms or expressions are used with the meaning indicated:*

Coach like construction	"out of date" way of bolstering a seat part mainly by springs (e.g. helicoidal) instead of dampening mainly by foam
-------------------------	---

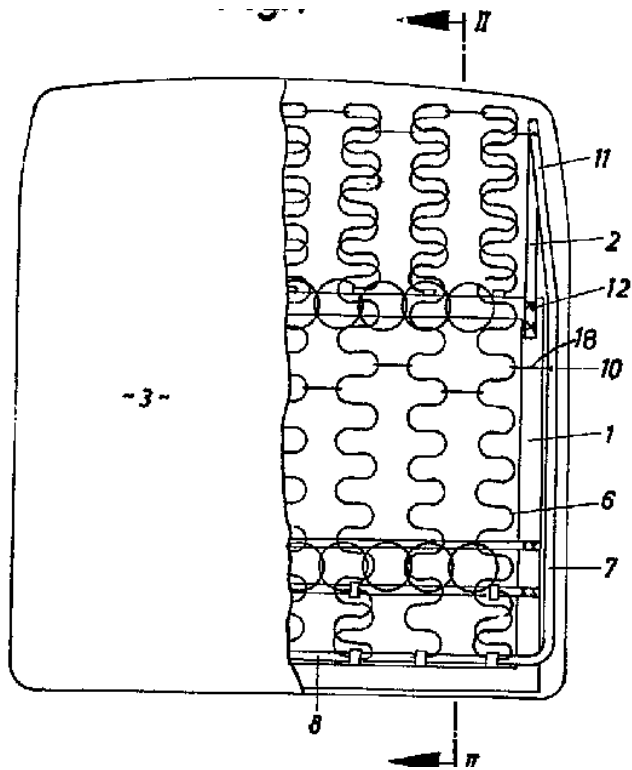
## B60N 2/7029

{back-rests}

### Definition statement

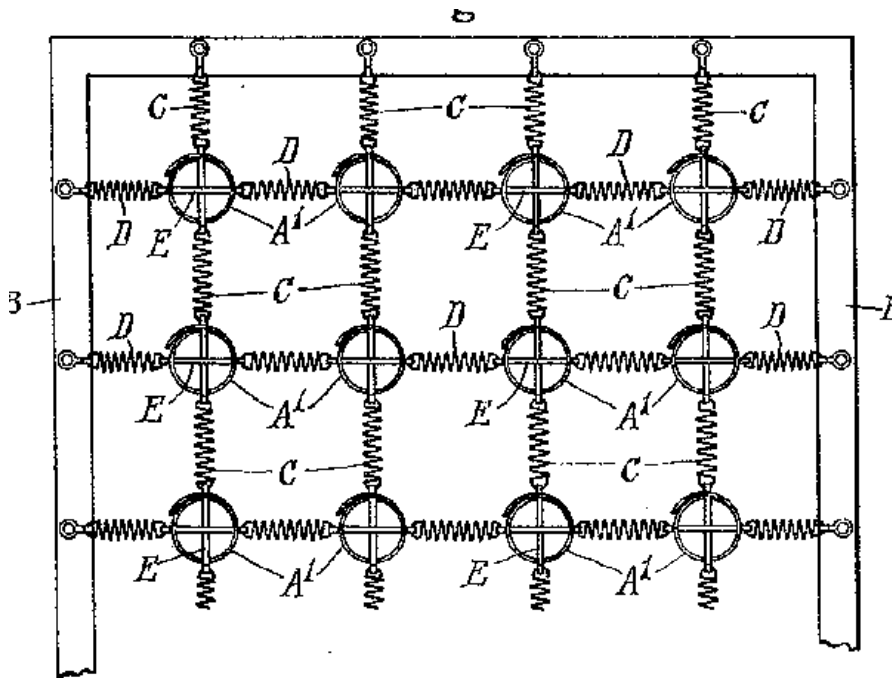
*This place covers:*

Illustrative example of subject matter classified in this group.



**B60N 2/7041****{Fixation of covers and springs}****Definition statement***This place covers:*

Illustrative example of subject matter classified in this group.

*Fig. 3.***References****Informative references***Attention is drawn to the following places, which may be of interest for search:*

Attachments thereof	<a href="#">B60N 2/5816</a>
---------------------	-----------------------------

## B60N 2/7052

{Springs using a combination of metal and rubber}

### Definition statement

*This place covers:*

Illustrative example of subject matter classified in this group.

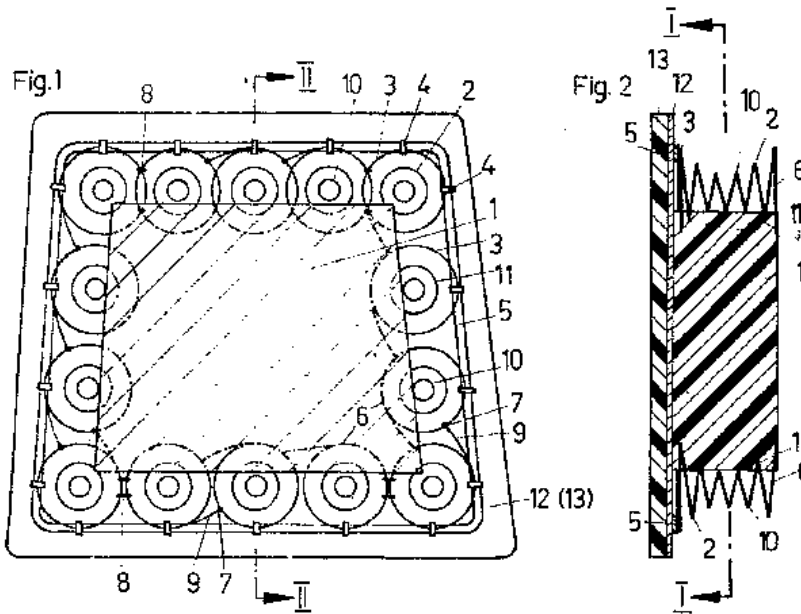


Fig.3

Fig. 2

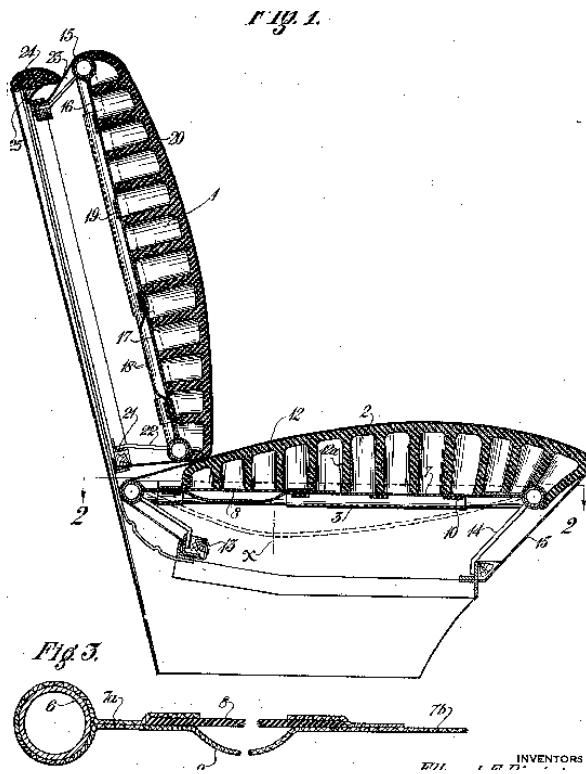
## B60N 2/707

{with rubber blocks}

### Definition statement

This place covers:

Illustrative example of subject matter classified in this group.



## B60N 2/7094

{Upholstery springs}

### Definition statement

*This place covers:*

Illustrative example of subject matter classified in this group.

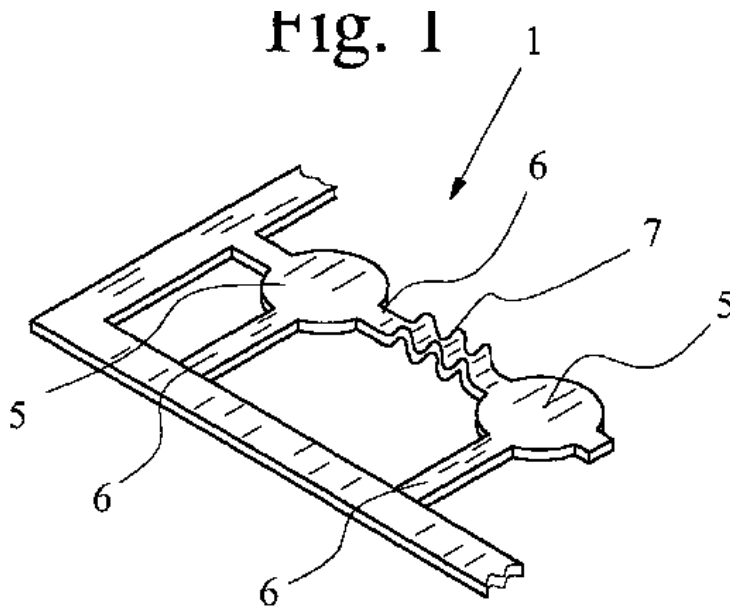


Fig. 2

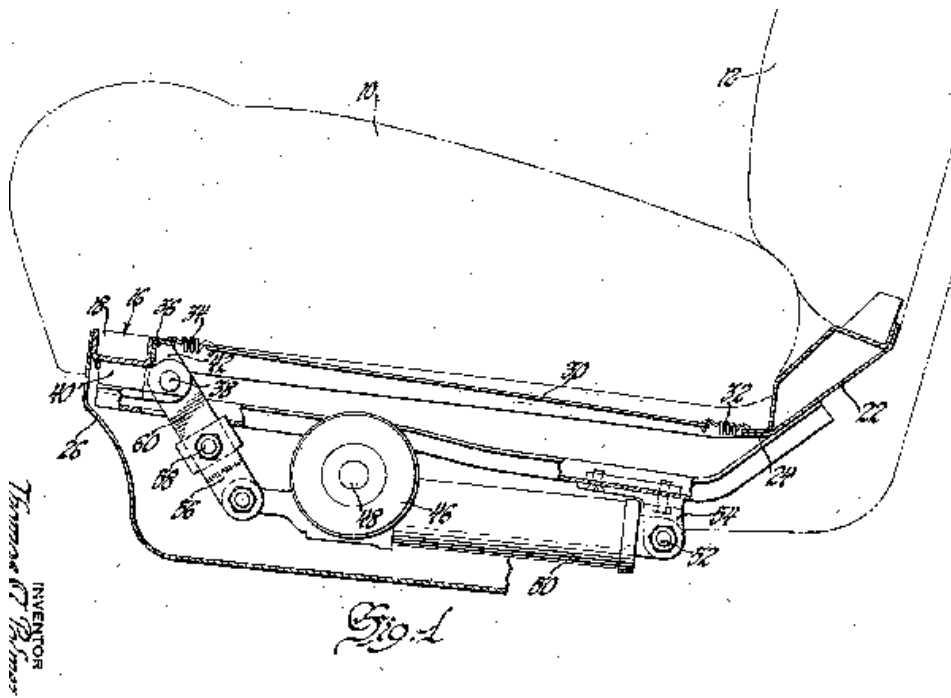
## B60N 2/72

### Attachment or adjustment thereof

#### Definition statement

This place covers:

Illustrative example of subject matter classified in this group.



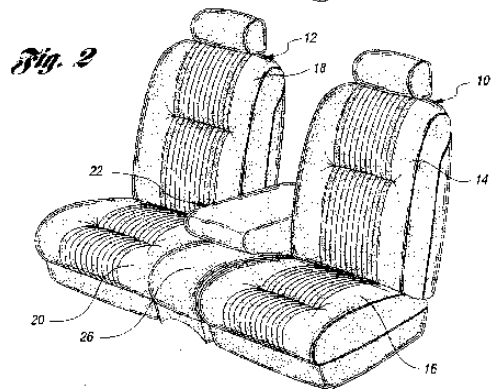
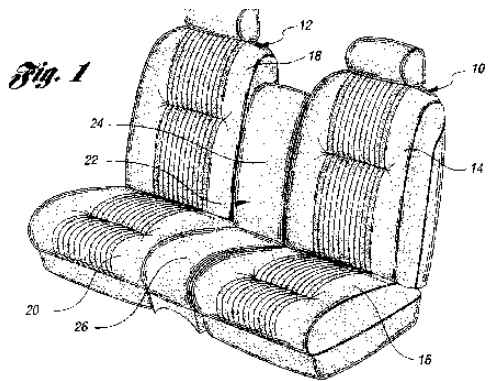
## B60N 2/757

{in a recess of the back-rest}

### Definition statement

*This place covers:*

Illustrative example of subject matter classified in this group.





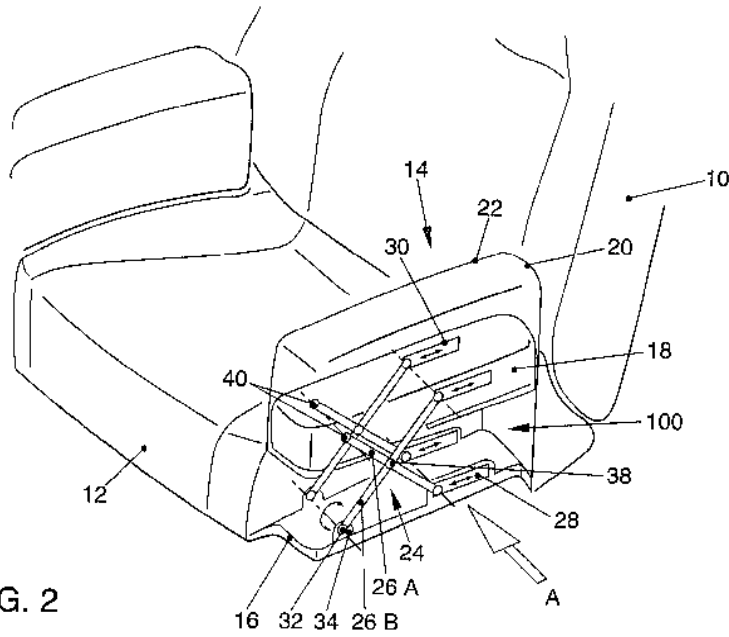
## B60N 2/76

{in a recess of the cushion}

### Definition statement

*This place covers:*

Illustrative example of subject matter classified in this group.



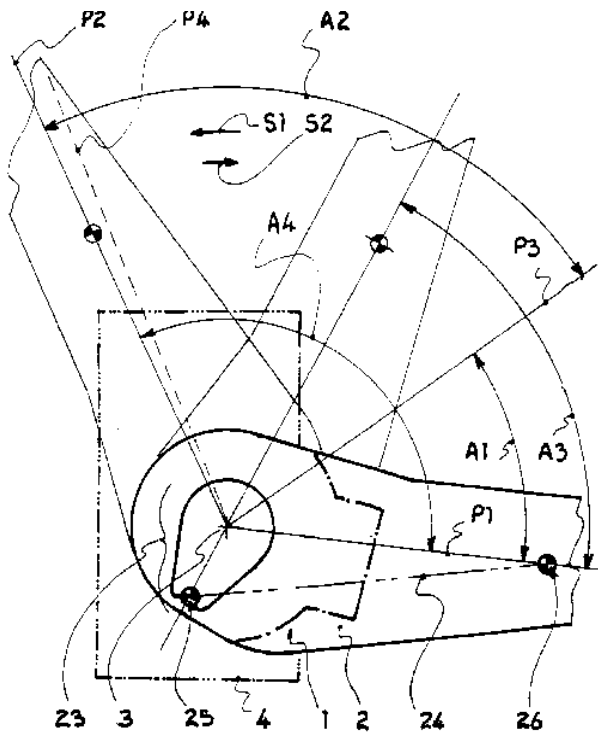
## B60N 2/767

{Angle adjustment}

### Definition statement

*This place covers:*

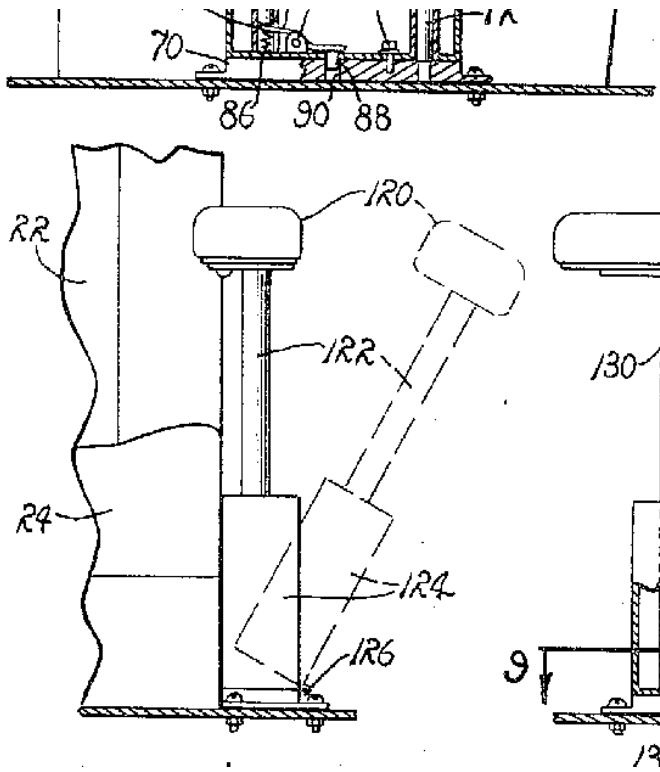
Illustrative example of subject matter classified in this group.





**B60N 2/777****{Transversal adjustment}****Definition statement***This place covers:*

Illustrative example of subject matter classified in this group.



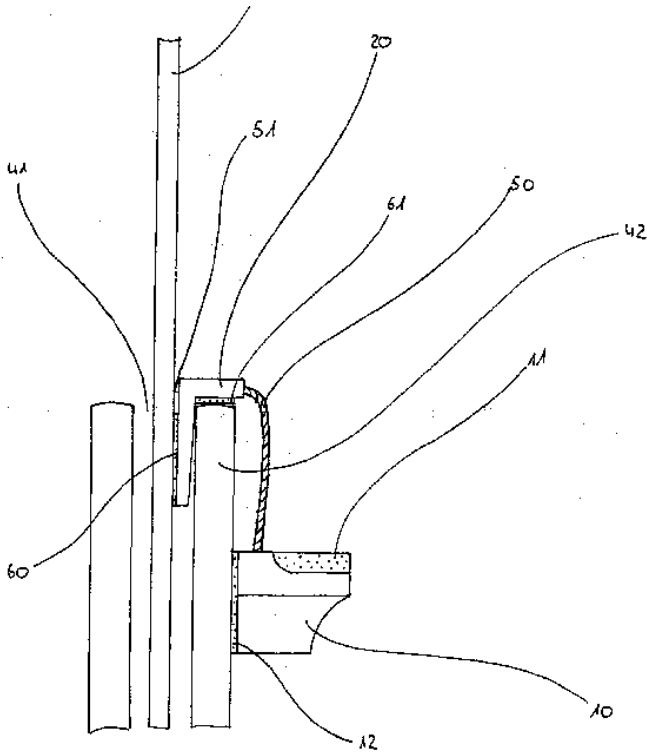
## B60N 2/783

{sill suspended, e.g. window sill}

### Definition statement

*This place covers:*

Illustrative example of subject matter classified in this group.



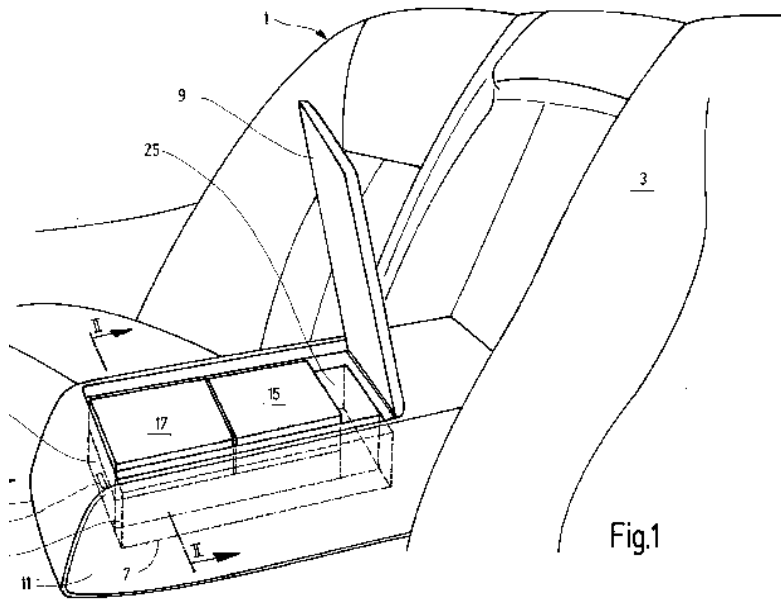
## B60N 2/793

{for use as storage compartments}

### Definition statement

*This place covers:*

Illustrative example of subject matter classified in this group.



**B60N 2/797**

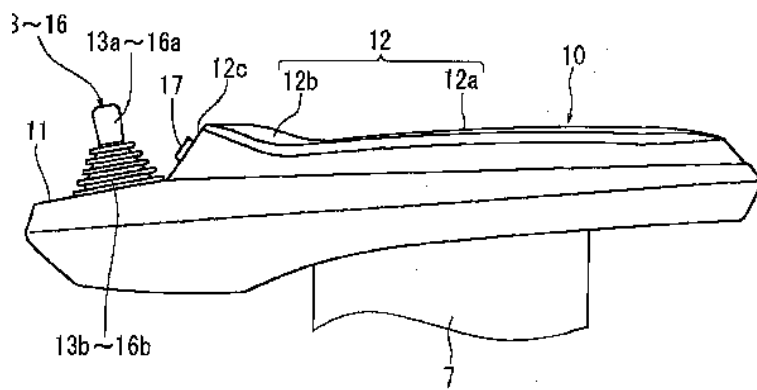
{for use as electrical control means, e.g. switches}

**Definition statement**

*This place covers:*

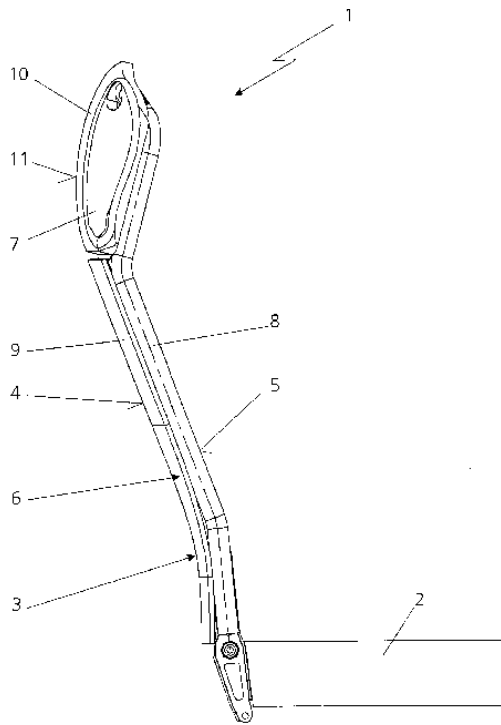
Illustrative example of subject matter classified in this group.

**FIG. 3**



**B60N 2/803****fixed****Definition statement***This place covers:*

Illustrative example of subject matter classified in this group.

**References****Informative references***Attention is drawn to the following places, which may be of interest for search:*

Head-rests movable to an inoperative or stowed position	<a href="#">B60N 2/874</a>
Head-rests with additional features not related to head-rest positioning, e.g. heating or cooling devices or loudspeakers	<a href="#">B60N 2/879</a>

**B60N 2/806****movable or adjustable****Definition statement***This place covers:*

Arrangements for moving or adjusting the whole headrest or parts thereof, except if the only movable or adjustable part is a side-rest.

**Special rules of classification**Arrangements in which only side-rests are movable or adjustable are classified in [B60N 2/885](#) only.



Movable or adjustable headrest accessories are classified in [B60N 2/879](#).

## B60N 2/815

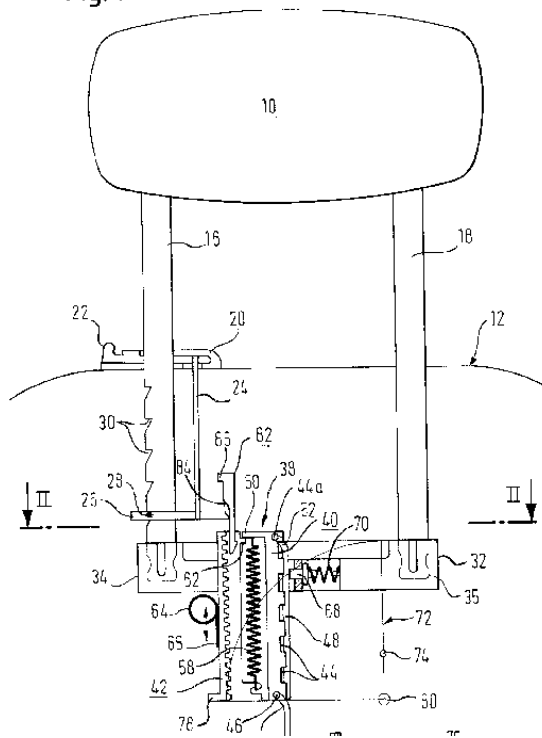
### Release mechanisms, e.g. buttons

#### Definition statement

*This place covers:*

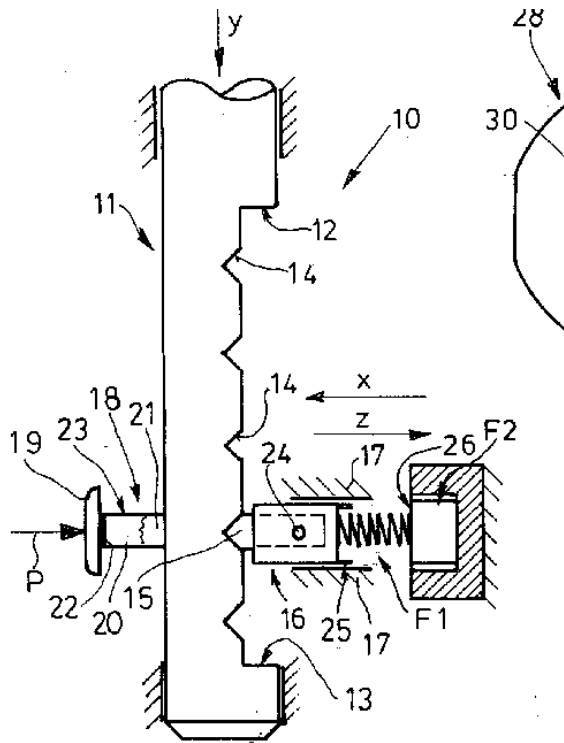
Illustrative example of subject matter classified in this group.

Fig. 1



**B60N 2/818****with stepwise positioning****Definition statement***This place covers:*

Illustrative example of subject matter classified in this group.



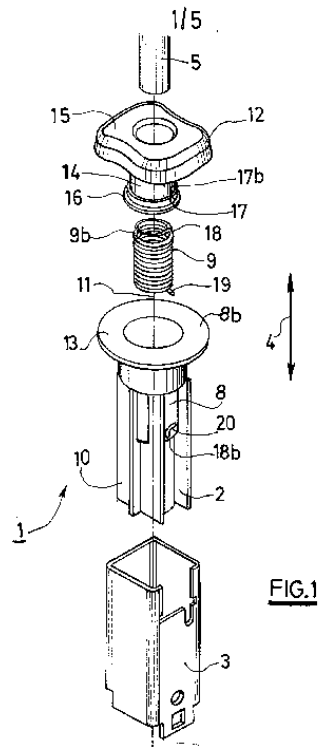
**B60N 2/824**

using springs

**Definition statement**

*This place covers:*

Illustrative example of subject matter classified in this group.

**B60N 2/826**

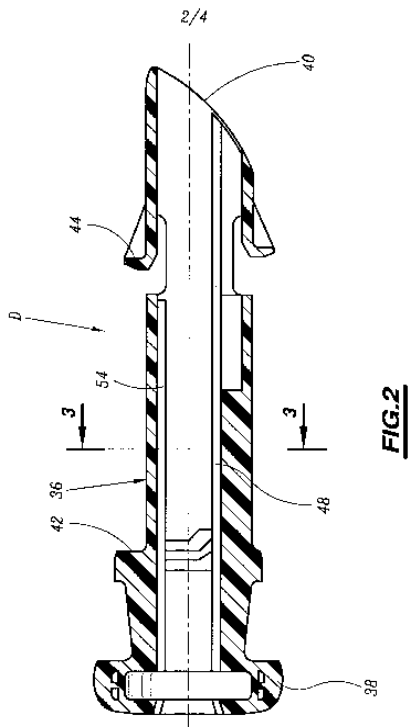
using rubber-type material

**Definition statement**

*This place covers:*

Slidable adjustment of head-rests characterised by locking means using elastic material for continuous positioning.

Illustrative example of subject matter classified in this group.



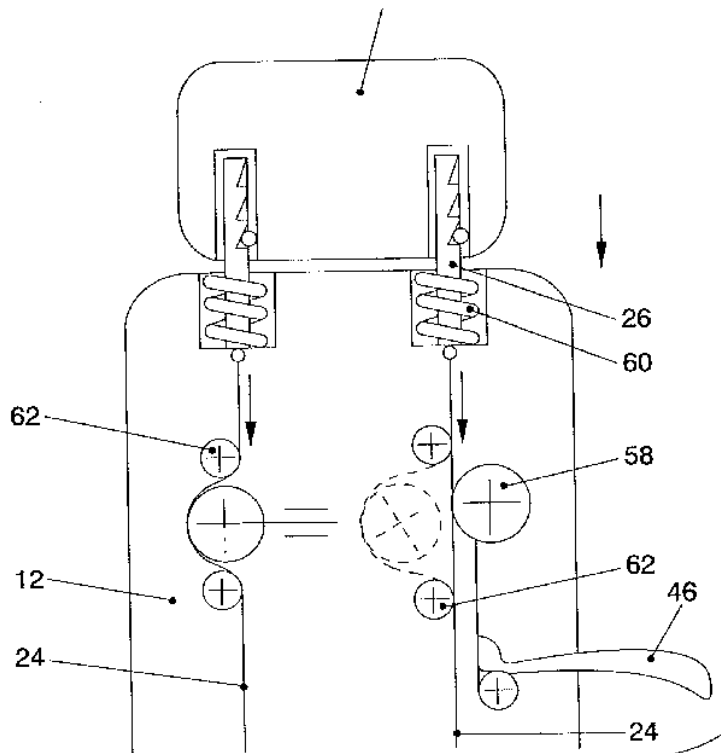
**B60N 2/829**

characterised by their adjusting mechanisms, e.g. electric motors

**Definition statement**

*This place covers:*

Illustrative example of subject matter classified in this group.



**B60N 2/832**

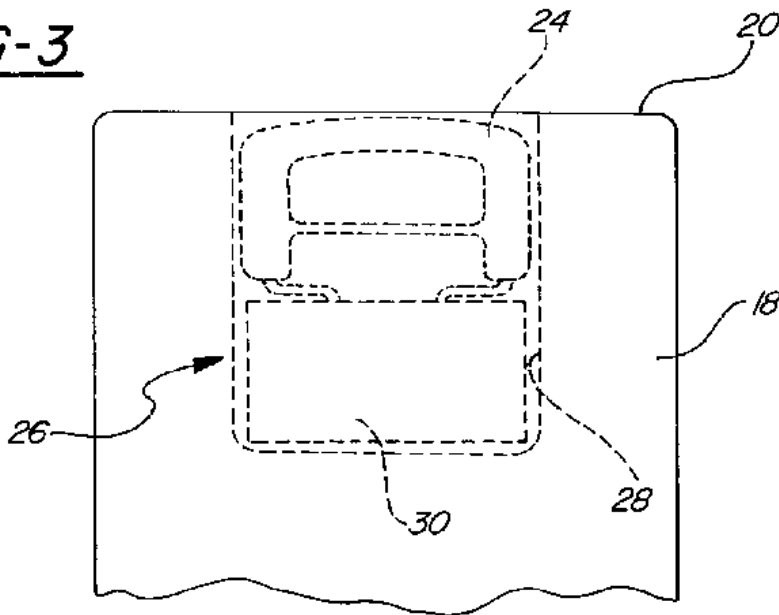
**movable to an inoperative or stowed position**

**Definition statement**

*This place covers:*

Illustrative example of subject matter classified in this group.

1G-3



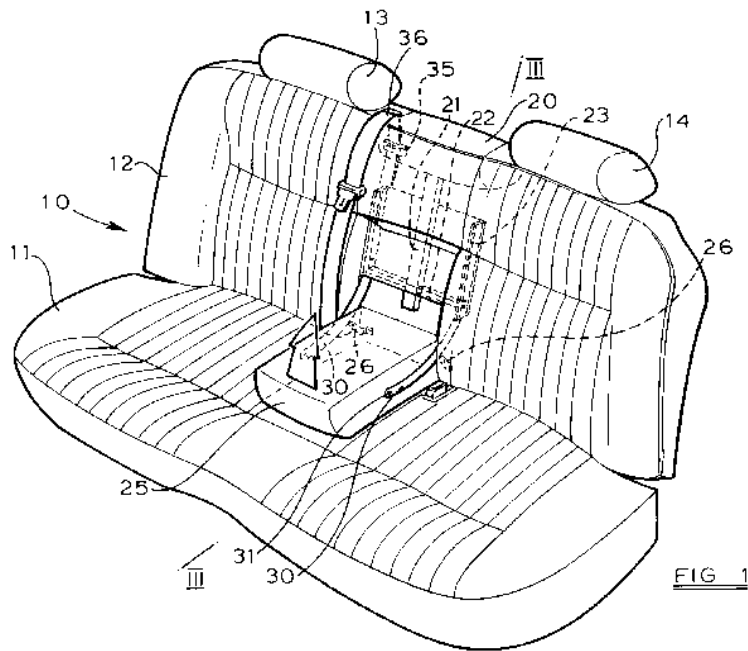
## B60N 2/835

especially adapted for rear seats

### Definition statement

*This place covers:*

Illustrative example of subject matter classified in this group.



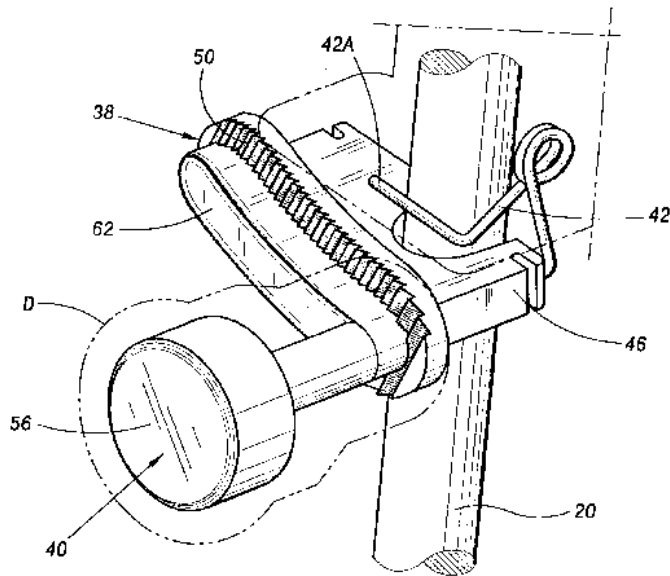
## B60N 2/844

### Release mechanisms, e.g. buttons

#### Definition statement

*This place covers:*

Illustrative example of subject matter classified in this group.

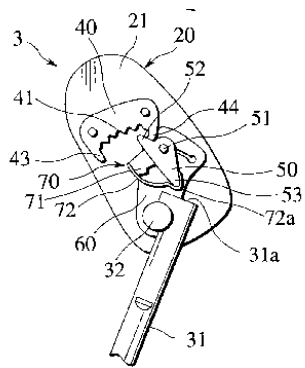
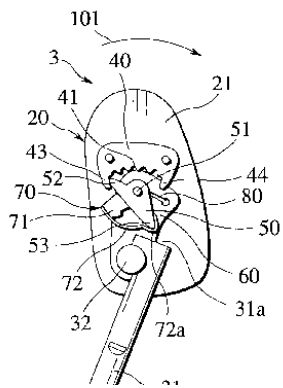


**FIG.5**



**B60N 2/847****with stepwise positioning****Definition statement***This place covers:*

Illustrative example of subject matter classified in this group.

**FIG.6**

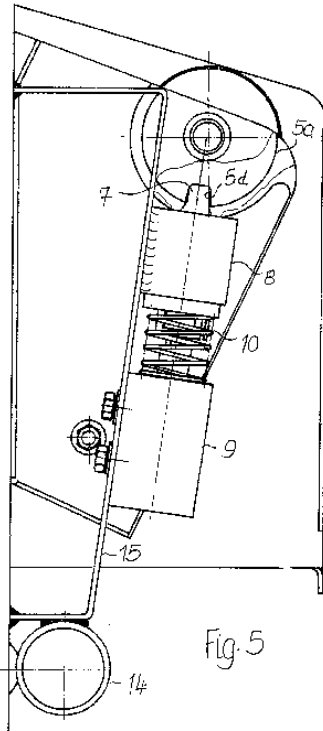
## B60N 2/853

characterised by their adjusting mechanisms, e.g. electric motors

### Definition statement

*This place covers:*

Illustrative example of subject matter classified in this group.



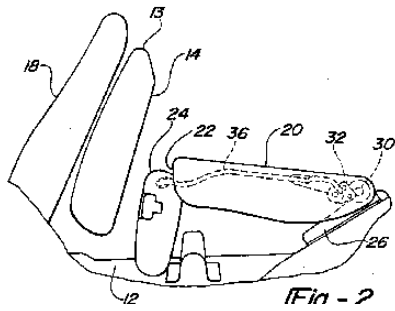
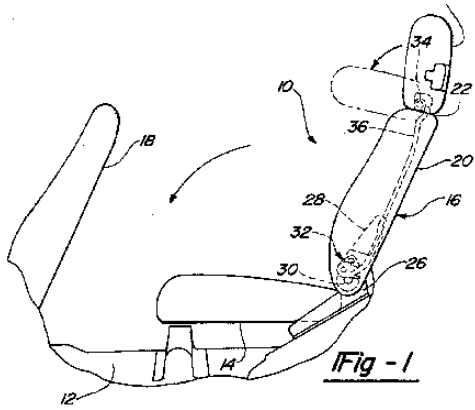
## B60N 2/859

especially adapted for rear seats

### Definition statement

This place covers:

Illustrative example of subject matter classified in this group.



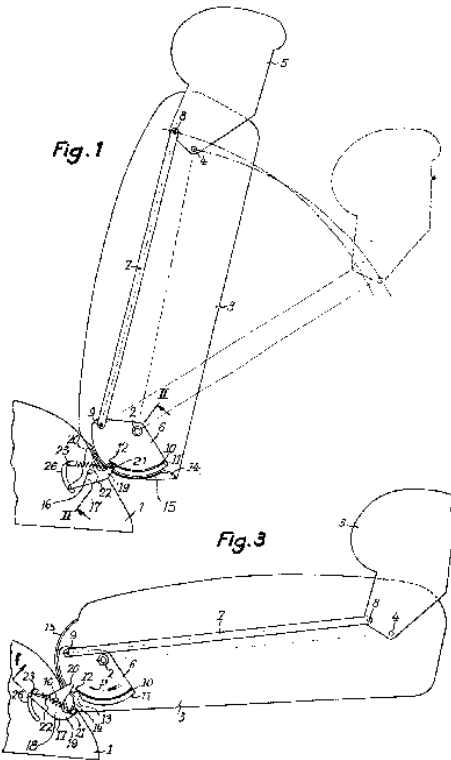
**B60N 2/862**

with means for maintaining a desired position when the seat-back is adjusted, e.g. parallelogram mechanisms

**Definition statement**

*This place covers:*

Illustrative example of subject matter classified in this group.



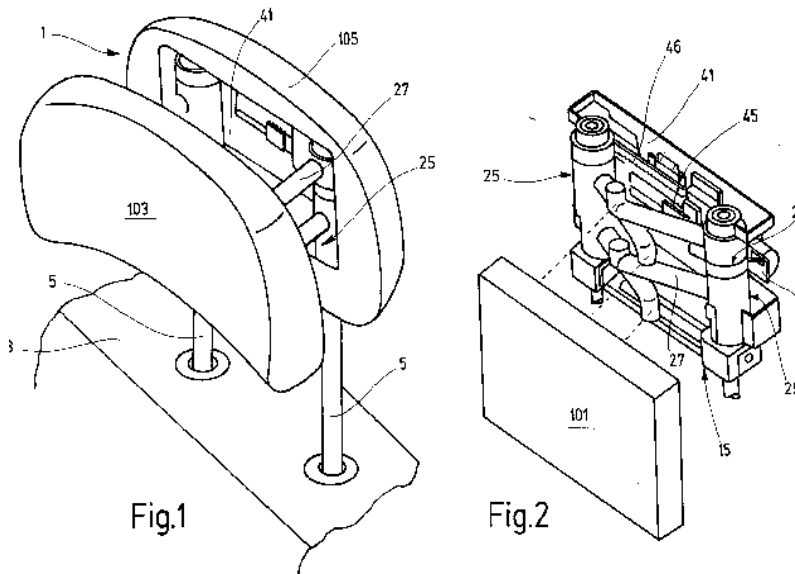
**B60N 2/865**

providing a fore-and-aft movement with respect to the occupant's head

**Definition statement**

*This place covers:*

Illustrative example of subject matter classified in this group.



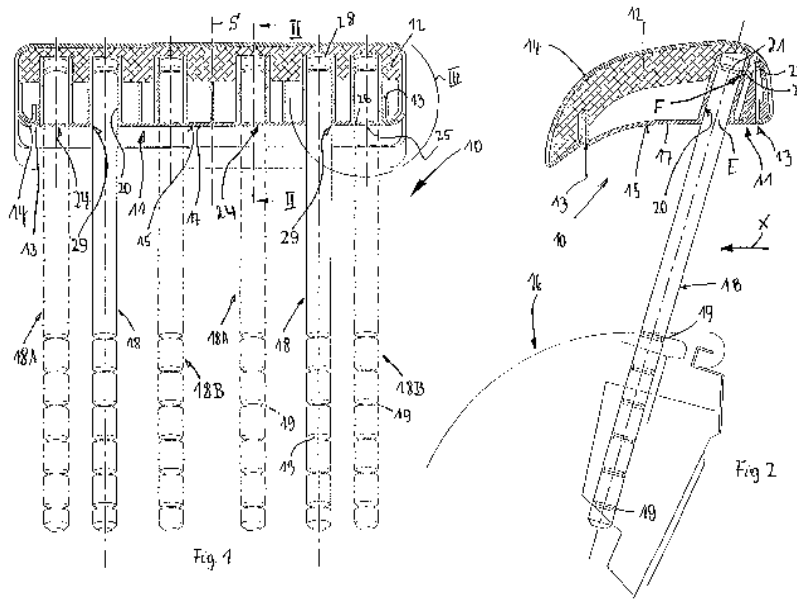
## B60N 2/868

providing a lateral movement parallel to the occupant's shoulder line

### Definition statement

*This place covers:*

Illustrative example of subject matter classified in this group.



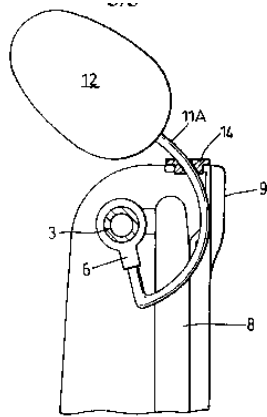
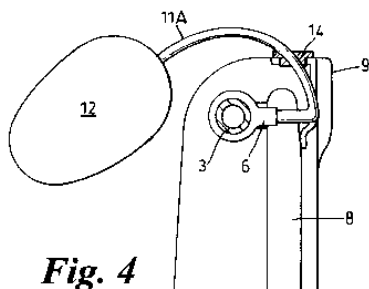
**B60N 2/874**

movable to an inoperative or stowed position ([B60N 2/832](#), [B60N 2/856](#) take precedence)

**Definition statement**

*This place covers:*

Illustrative example of subject matter classified in this group.

**Fig. 3****Fig. 4****References****Limiting references**

*This place does not cover:*

Head-rests which are vertically slidable and movable to an inoperative or stowed position	<a href="#">B60N 2/832</a>
Head-rests which are tiltable and movable to an inoperative or stowed position	<a href="#">B60N 2/856</a>

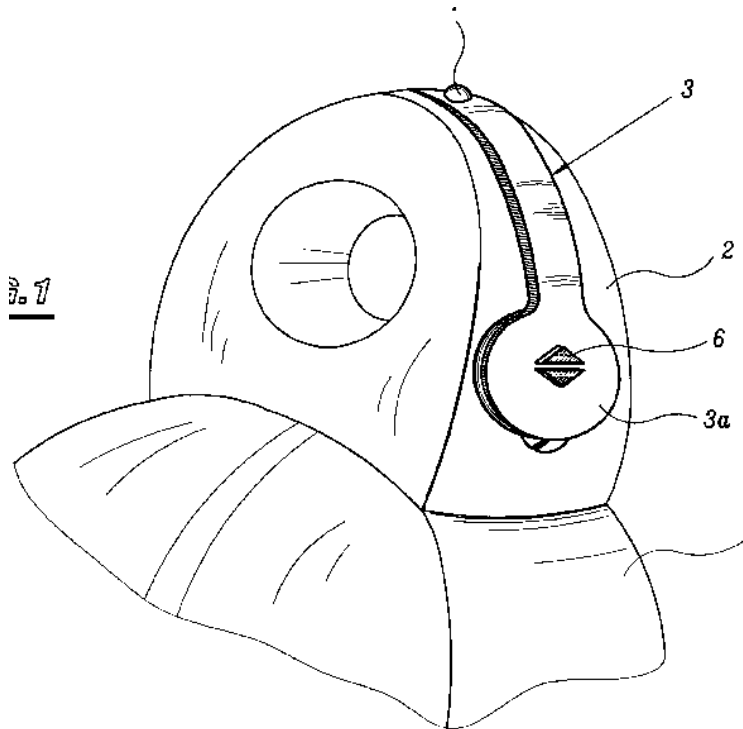
**B60N 2/879**

with additional features not related to head-rest positioning, e.g. heating or cooling devices or loudspeakers

**Definition statement**

*This place covers:*

Illustrative example of subject matter classified in this group.

**References****Informative references**

*Attention is drawn to the following places, which may be of interest for search:*

roll-over protection	<a href="#">B60R 21/13</a>
----------------------	----------------------------



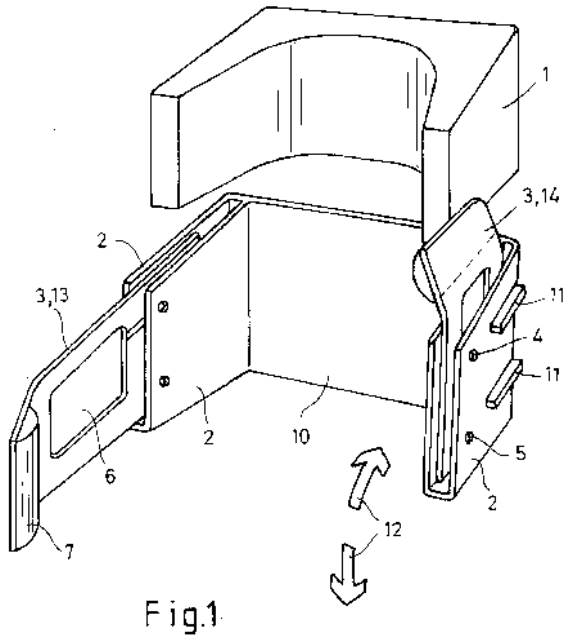
## B60N 2/885

provided with side-rests

### Definition statement

*This place covers:*

Illustrative example of subject matter classified in this group.



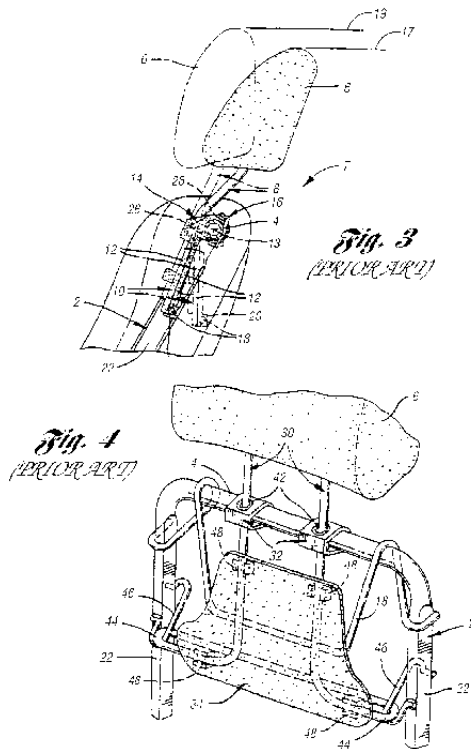
**B60N 2/888**

with arrangements for protecting against abnormal g-forces, e.g. by displacement of the head-rest

**Definition statement**

*This place covers:*

Illustrative example of subject matter classified in this group.

**B60N 2/90**

Details or parts not otherwise provided for

**References****Informative references**

*Attention is drawn to the following places, which may be of interest for search:*

seats in general	<a href="#">A47C 7/00</a>
storage compartments mounted on or under a seat	<a href="#">B60R 7/043</a>

**B60N 2/91****{Panels between front seats}****Definition statement***This place covers:*

Illustrative example of subject matter classified in this group.

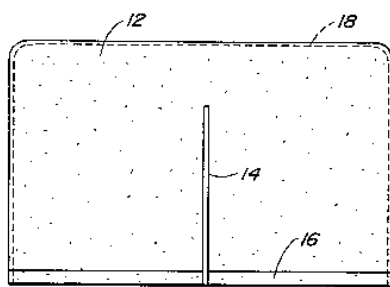
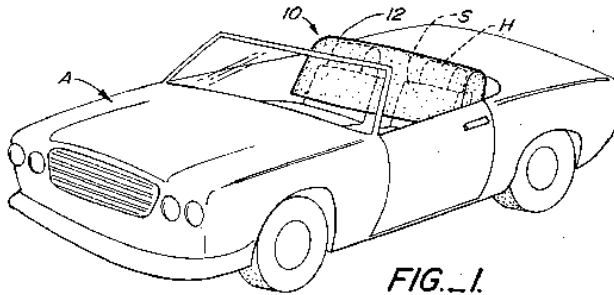


FIG. 2.

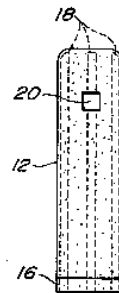


FIG. 3.

**B60N 2/914****{Hydro-pneumatic adjustments of the shape}****Definition statement***This place covers:*

Devices for altering the contour of a seat portion by the use of liquid or gaseous substances.

Adjustment of shape by hydro-pneumatic means

Blowing up of inflatable seats or seat parts

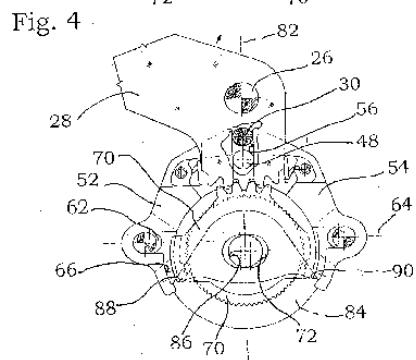
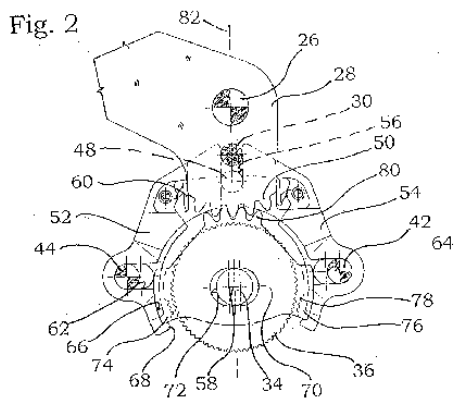
**References****Informative references***Attention is drawn to the following places, which may be of interest for search:*

Lumbar supports using inflatable bladders	<a href="#">B60N 2/665</a>
Coach-like constructions with air or fluid cushions	<a href="#">B60N 2/7082</a>
Arrangement or mounting of air bags in vehicle seats	<a href="#">B60R 21/207</a>

**B60N 2/933****{rotatable}****Definition statement***This place covers:*

Rotatable positioning and locking means not provided for in the previous groups of this subclass, e.g. not part of an adjustment mechanism for particular seat parts.

Illustrative example of subject matter classified in this group.



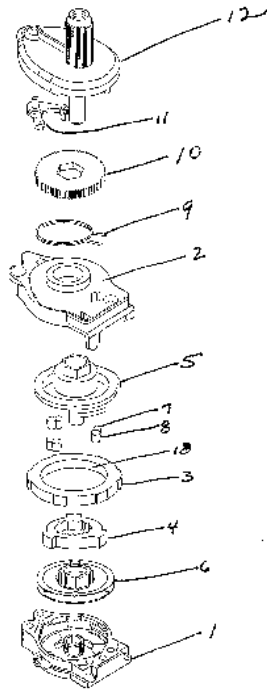
## B60N 2/938

{and provided with braking systems}

### Definition statement

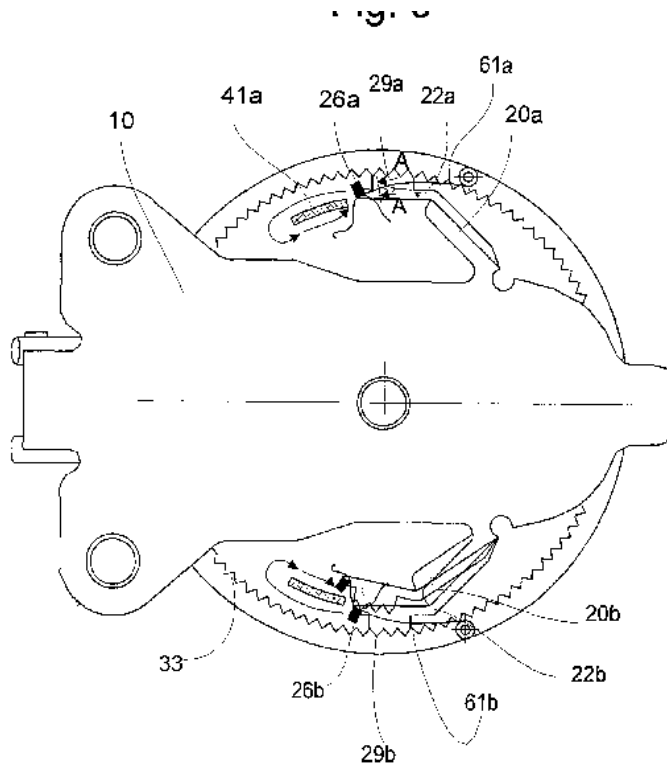
*This place covers:*

Illustrative example of subject matter classified in this group.



**B60N 2/943****{Stepwise movement mechanisms, e.g. ratchets}****Definition statement***This place covers:*

Illustrative example of subject matter classified in this group.

**References****Informative references***Attention is drawn to the following places, which may be of interest for search:*

ratchets in general	<a href="#">G05G 7/06</a>
---------------------	---------------------------

**B60N 2/976****{massaging systems}****References****Informative references***Attention is drawn to the following places, which may be of interest for search:*

massaging systems in general	<a href="#">A61H 1/00</a>
------------------------------	---------------------------

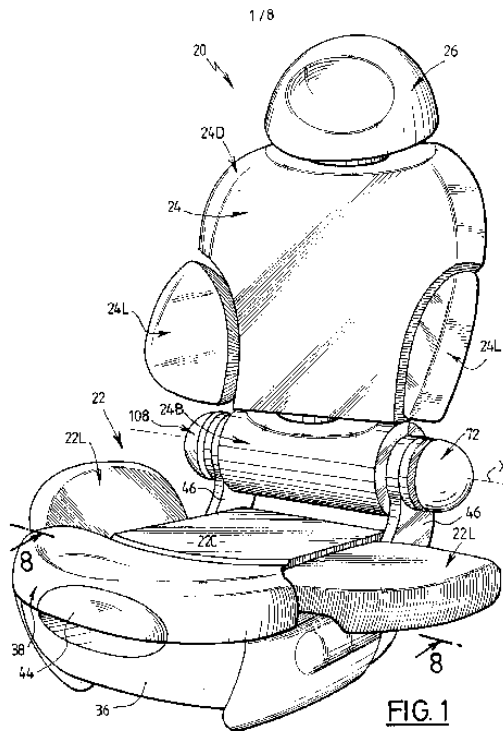
**B60N 2/986**

{Side-rests ([B60N 2/2872](#), [B60N 2/885](#) take precedence)}

**Definition statement**

*This place covers:*

Illustrative example of subject matter classified in this group.

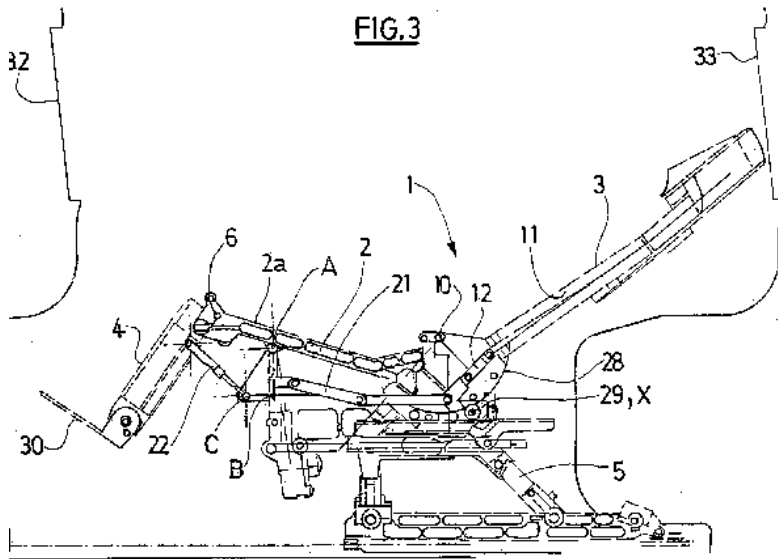
**References****Limiting references**

*This place does not cover:*

Side-rests for child seats	<a href="#">B60N 2/2872</a>
Head-rests provided with side-rests	<a href="#">B60N 2/885</a>

**B60N 2/995****{Lower-leg-rests, e.g. calf-rests}****Definition statement***This place covers:*

Illustrative example of subject matter classified in this group.

**References****Informative references***Attention is drawn to the following places, which may be of interest for search:*

Thigh rests	<a href="#">B60N 2/62</a>
Calf or footrests being attached to the floor	<a href="#">B60N 3/06</a>

**Glossary of terms***In this place, the following terms or expressions are used with the meaning indicated:*

Lower leg rest	Calf or foot rest, being attached to the seat (not to the floor)
----------------	--



## B60N 3/00

**Arrangements or adaptations of other passenger fittings, not otherwise provided for (of radio sets, television sets, telephones, {stowing or holding appliances} , safety belts or the like [B60R](#))**

### Definition statement

*This place covers:*

Tables or trays, beds, hand grips or straps, floor mats, footrests, receptacles for refuse, receptacles for food or beverages, receptacles for cigarettes or the like, electrically-heated lighters, cooking or boiling devices, drinking-water.

### References

#### Limiting references

*This place does not cover:*

Radio sets, television sets, telephones, safety belts, airbag, stowing or holding appliances	<a href="#">B60R</a>
--	----------------------

### Glossary of terms

*In this place, the following terms or expressions are used with the meaning indicated:*

Passenger (here)	the meaning of the term passenger is limited to passengers of vehicles as set out in the definitions of <a href="#">B60</a> and <a href="#">B60N</a>
------------------	--

## B60N 3/001

**{of tables or trays}**

### References

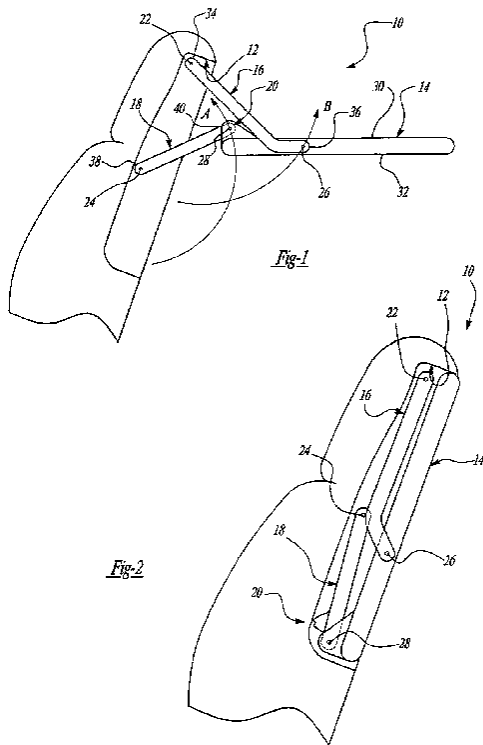
#### Informative references

*Attention is drawn to the following places, which may be of interest for search:*

Detachable tables in general with provisions for use in vehicles	<a href="#">A47B 31/06</a>
--	----------------------------

**B60N 3/004****{of foldable trays mounted on the back-rest}****Definition statement***This place covers:*

Illustrative example of subject matter classified in this group.



**B60N 3/005****{mounted on the steering wheel}****Definition statement***This place covers:*

Illustrative example of subject matter classified in this group.

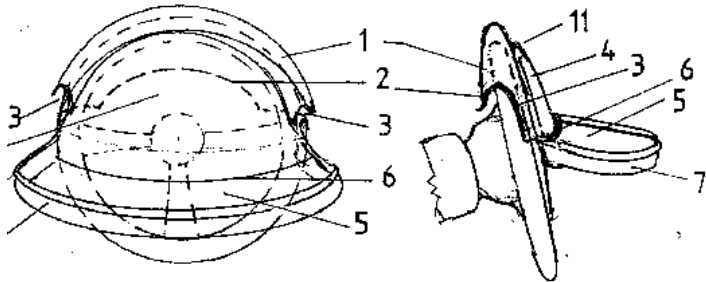


FIG.1

FIG.2

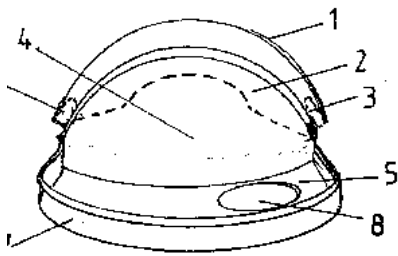


FIG. 3

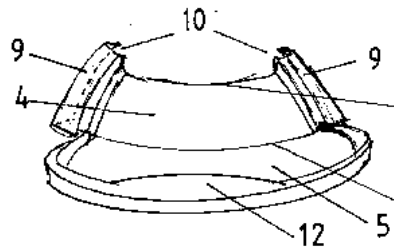
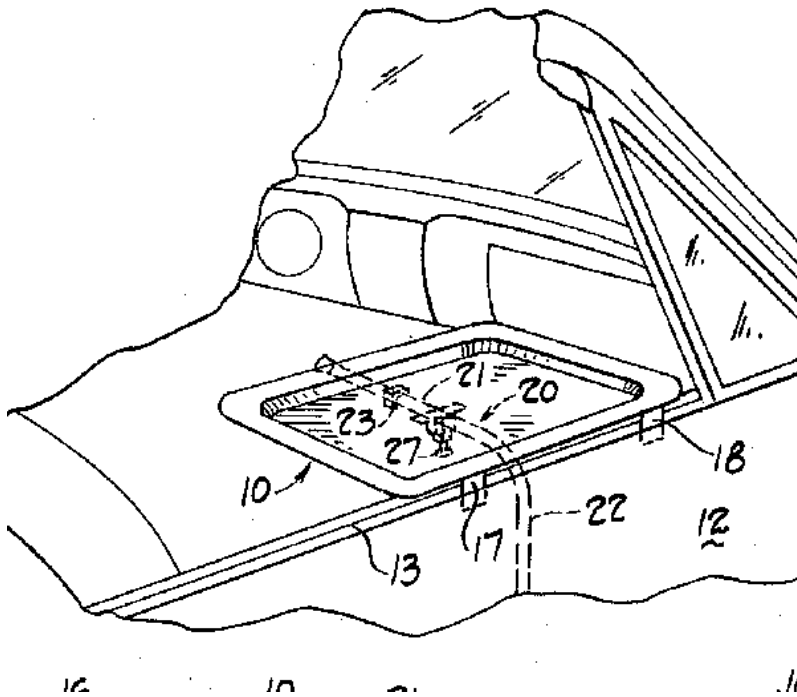


FIG.4

**B60N 3/007****{mounted on the window sill}****Definition statement***This place covers:*

Illustrative example of subject matter classified in this group.

Filed Sept. 23, 1965

**B60N 3/008****{of beds}****References****Informative references***Attention is drawn to the following places, which may be of interest for search:*

Travelling or camp beds adapted to be used in, or connected to, a vehicle	<a href="#">A47C 17/80</a>
---	----------------------------

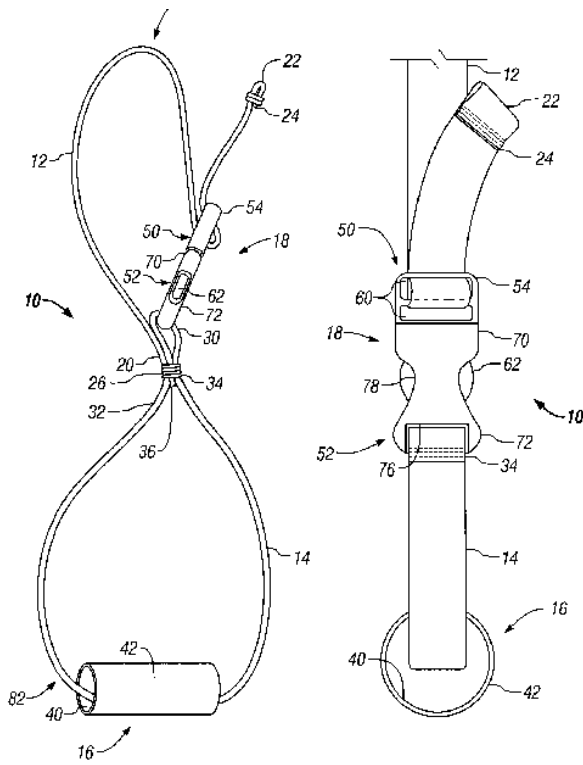
## B60N 3/023

{movable}

### Definition statement

*This place covers:*

Illustrative example of subject matter classified in this group.



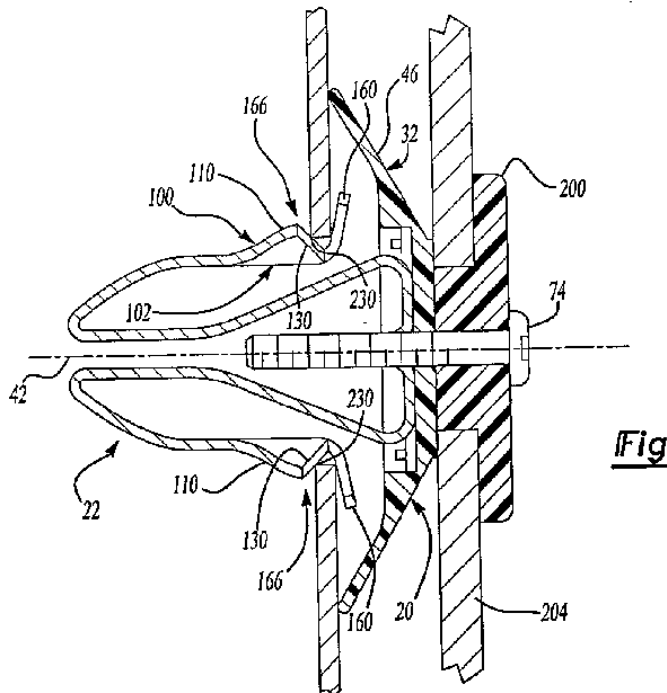
**B60N 3/026**

{characterised by the fixing means ([B60N 3/023](#) takes precedence)}

**Definition statement**

*This place covers:*

Illustrative example of subject matter classified in this group.



**Fig**

**References****Limiting references**

*This place does not cover:*

Movable hand grips or straps	<a href="#">B60N 3/023</a>
------------------------------	----------------------------

**B60N 3/042**

{of carpets ([B60N 3/046](#), [B60N 3/048](#) take precedence)}

**References****Limiting references**

*This place does not cover:*

Fixing means for carpets	<a href="#">B60N 3/046</a>
Structure of carpets	<a href="#">B60N 3/048</a>

## Glossary of terms

In this place, the following terms or expressions are used with the meaning indicated:

Carpet (here):	the (layer) element (e.g. carpet) directly covering the car body and coming with the car as produced by the car manufacturer
----------------	--

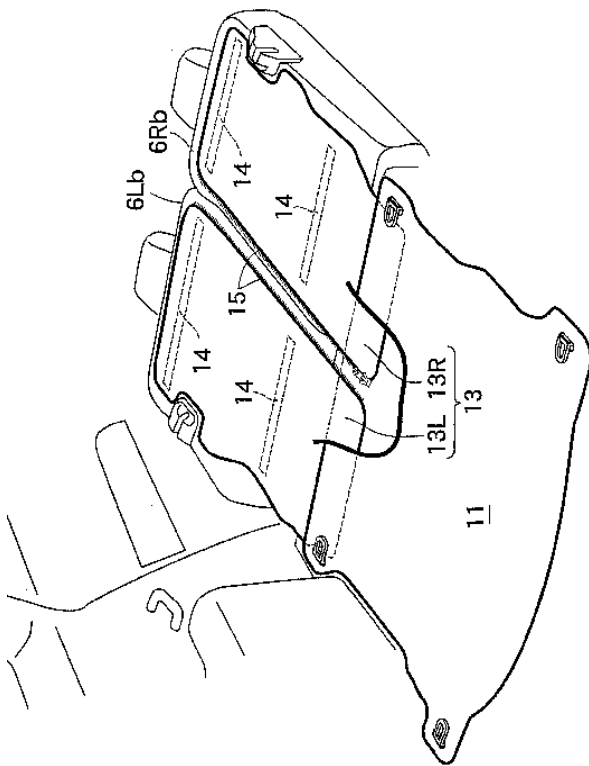
## B60N 3/044

{of removable mats ([B60N 3/046](#), [B60N 3/048](#) take precedence)}

### Definition statement

*This place covers:*

Illustrative example of subject matter classified in this group.



## References

### Limiting references

*This place does not cover:*

Fixing means for removable mats	<a href="#">B60N 3/046</a>
Structure of removable mats	<a href="#">B60N 3/048</a>

## Glossary of terms

In this place, the following terms or expressions are used with the meaning indicated:

Removable mat	additional (with respect to the carpet as set out in <a href="#">B60N 3/042</a> ) (layer) element attached such that it can be removed e.g. by quick release means e.g. for cleaning purposes
---------------	---

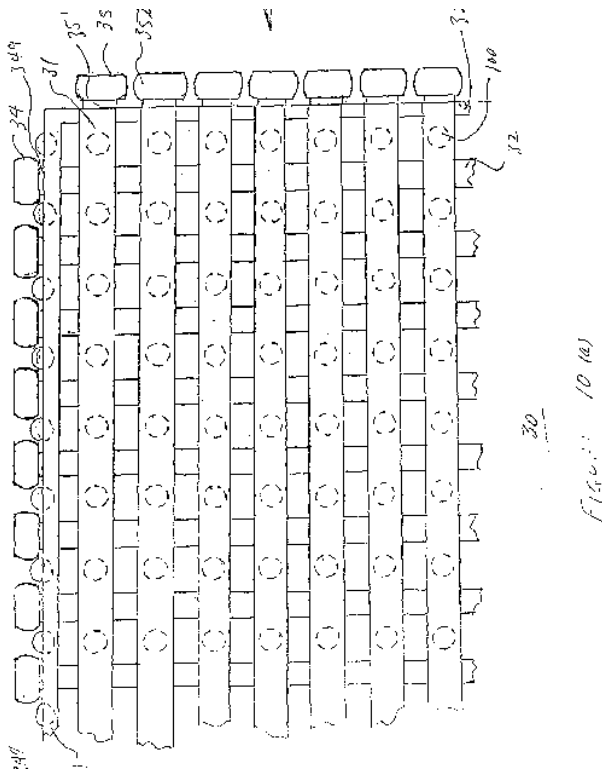
## B60N 3/048

{characterised by their structure}

### Definition statement

*This place covers:*

Illustrative example of subject matter classified in this group.



## B60N 3/06

of footrests

### References

#### Informative references

*Attention is drawn to the following places, which may be of interest for search:*

Thigh rests	<a href="#">B60N 2/62</a>
Lower leg rests, e.g. calf rests	<a href="#">B60N 2/995</a>
Floors of road vehicles	<a href="#">B62D 25/20</a>

### Glossary of terms

*In this place, the following terms or expressions are used with the meaning indicated:*

Foot rest	support element for a foot and /or higher parts of the leg, the foot rest being mounted on the car floor
-----------	--



## B60N 3/063

{with adjustment systems}

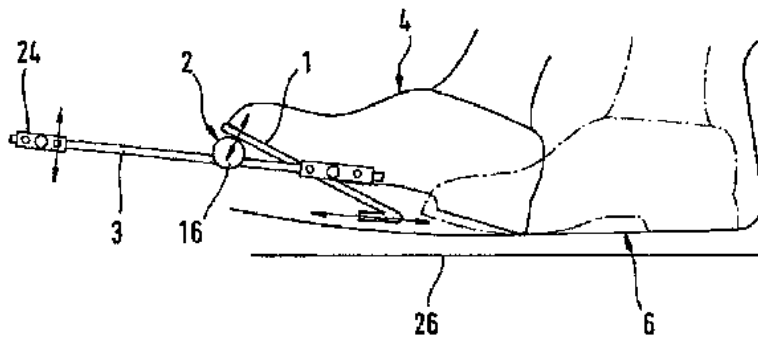
### Definition statement

*This place covers:*

Illustrative example of subject matter classified in this group.

32 1

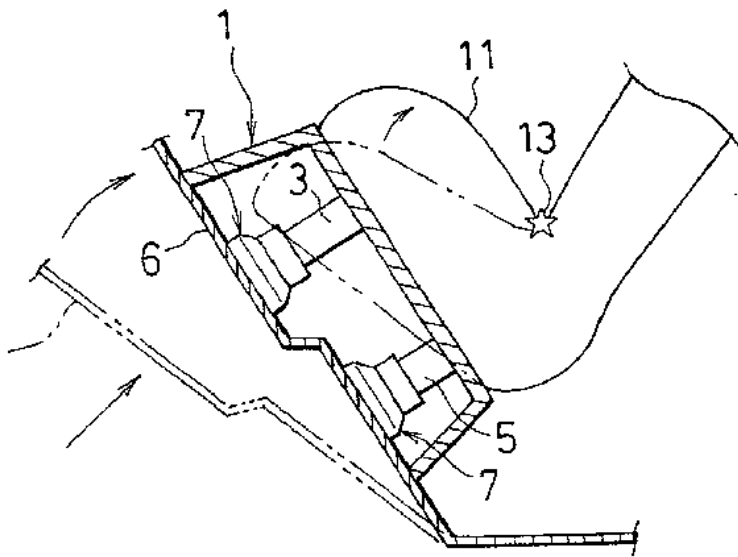
Fig. 2



DE 202 12 828 U1

**B60N 3/066****{with protection systems against abnormal g-forces}****Definition statement***This place covers:*

Illustrative example of subject matter classified in this group.

**B60N 3/08****of receptacles for refuse, e.g. ash-trays****References****Informative references***Attention is drawn to the following places, which may be of interest for search:*

Ashtrays per se	<a href="#">A24F</a>
-----------------	----------------------

**B60N 3/10****of receptacles for food or beverages, e.g. refrigerated****References****Informative references***Attention is drawn to the following places, which may be of interest for search:*

Picnic sets	<a href="#">A45F</a>
Household or table equipment	<a href="#">A47G</a>

Cup holders in general	<a href="#">A47G 23/02</a>
------------------------	----------------------------

## B60N 3/101

{fixed}

### Definition statement

*This place covers:*

Illustrative example of subject matter classified in this group.

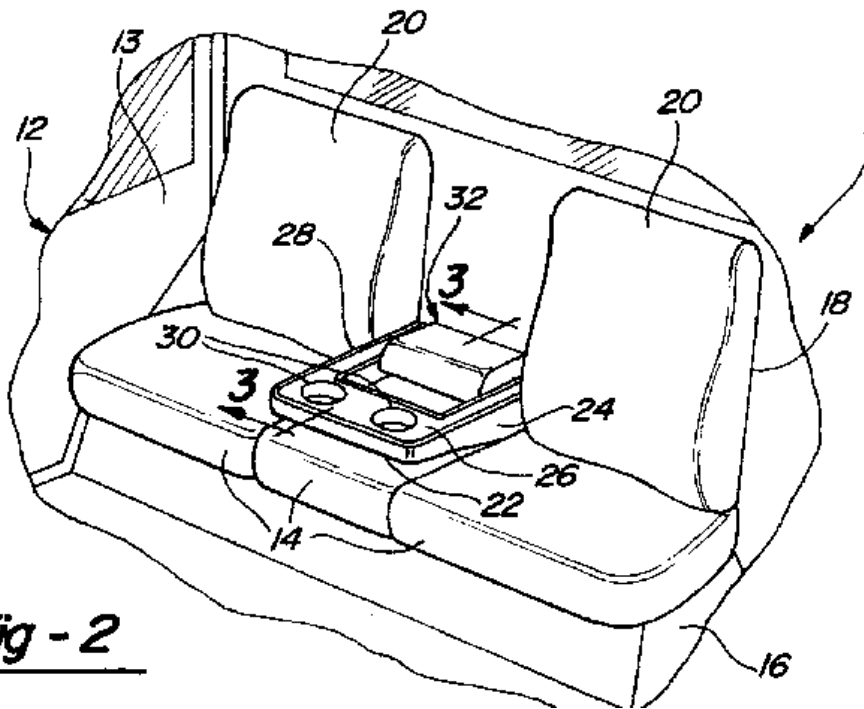


Fig - 2

## B60N 3/102

{storable or foldable in a non-use position}

### Definition statement

*This place covers:*

Illustrative example of subject matter classified in this group.

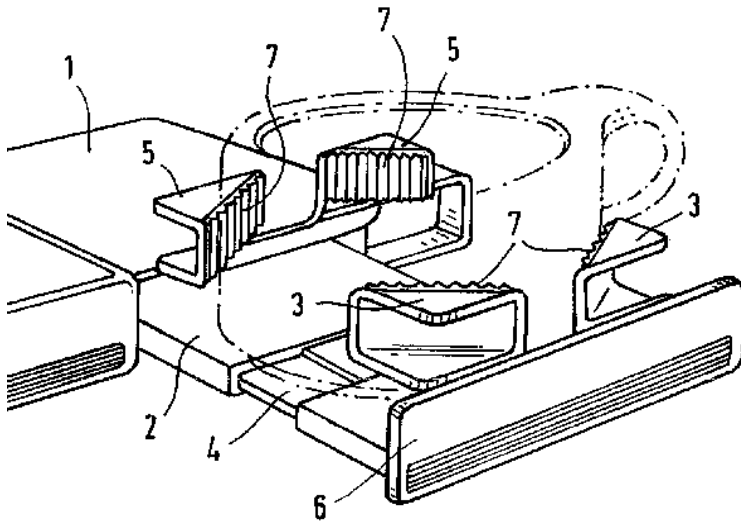


FIG.1

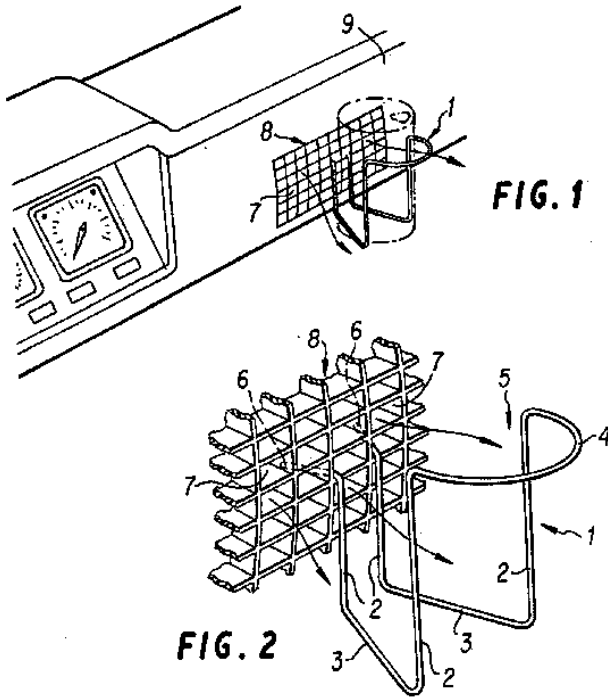
## B60N 3/104

{with refrigerating or warming systems}

### Definition statement

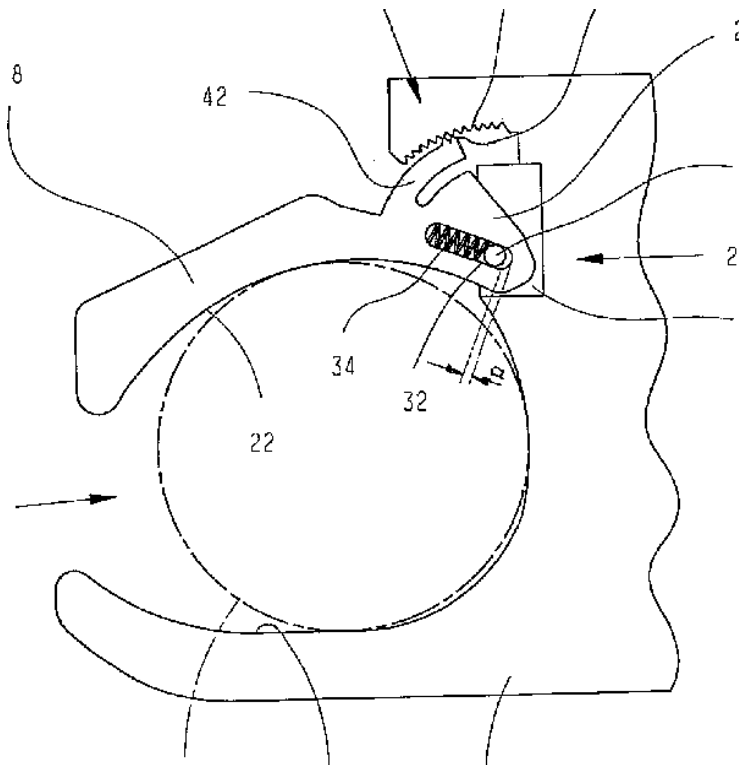
*This place covers:*

Illustrative example of subject matter classified in this group.



**B60N 3/106****{with adjustable clamping mechanisms}****Definition statement***This place covers:*

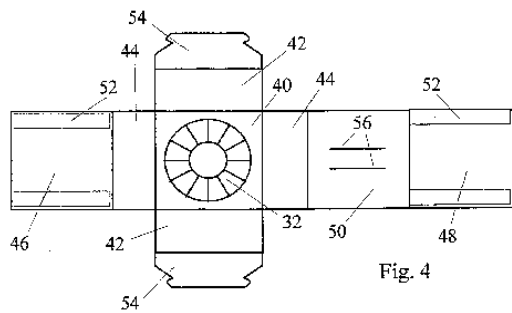
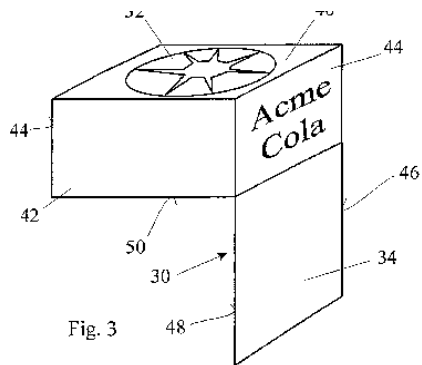
Illustrative example of subject matter classified in this group.

**Glossary of terms***In this place, the following terms or expressions are used with the meaning indicated:*

Adjustable clamping means	The holding means touching the object are adjusted in order to hold the object. The holding means are not resilient. However those means for adjustment might comprise resilient means.
---------------------------	---

**B60N 3/108****{with resilient holding elements}****Definition statement***This place covers:*

Illustrative example of subject matter classified in this group.

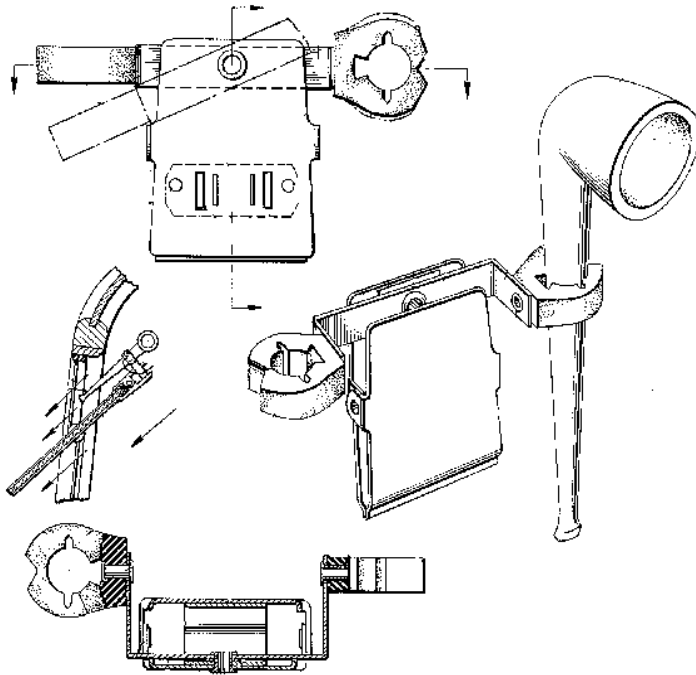
**Glossary of terms***In this place, the following terms or expressions are used with the meaning indicated:*

Resilient holding element	holding element which directly touch the object to be held is resilient itself (e.g. made of rubber) in order to hold the object
---------------------------	--

**B60N 3/12****of receptacles for cigarettes or the like****Definition statement**

*This place covers:*

Illustrative example of subject matter classified in this group.

**References****Informative references**

*Attention is drawn to the following places, which may be of interest for search:*

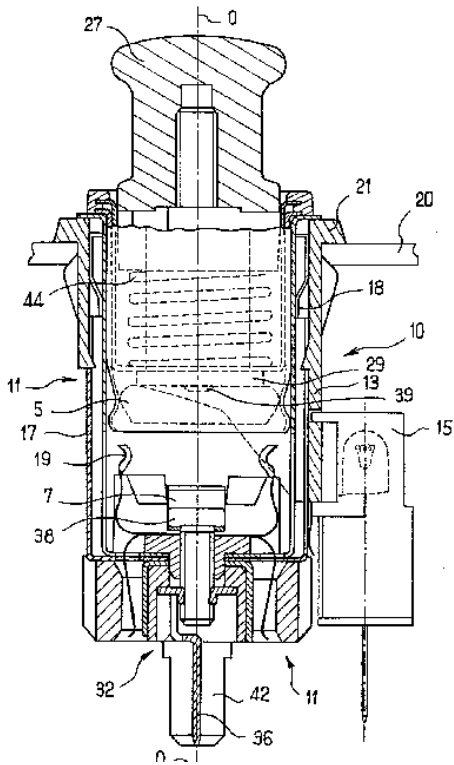
Adaptations of the arm-rests for use as storage compartments	<a href="#">B60N 2/793</a>
Receptacles for cigarettes or the like	<a href="#">A24F</a>



**B60N 3/14****of electrically-heated lighters****Definition statement**

*This place covers:*

Illustrative example of subject matter classified in this group.

**References****Limiting references**

*This place does not cover:*

Arrangements of lighting devices for vehicle interiors for lighting passenger or driving compartment	<a href="#">B60Q 3/20</a>
Igniters using electrically-produced heat	<a href="#">F23Q 7/00</a>

**B60N 3/16****of cooking or boiling devices****References****Informative references**

*Attention is drawn to the following places, which may be of interest for search:*

Cooking or boiling devices per se	<a href="#">A47</a> , <a href="#">F24C</a>
-----------------------------------	--

**B60N 5/00**

**Arrangements or devices on vehicles for entrance or exit control of passengers, e.g. turnstiles**

**Definition statement**

*This place covers:*

Arrangements or devices on vehicles for entrance or exit control of passengers

**References****Informative references**

*Attention is drawn to the following places, which may be of interest for search:*

Means for allowing passage through fences, barriers or the like	<a href="#">E06B 11/00</a>
Turnstiles in general	<a href="#">E06B 11/08</a>
Individual entry or exit registers for checking devices	<a href="#">G07C 9/00</a>