

B64F

GROUND OR AIRCRAFT-CARRIER-DECK INSTALLATIONS SPECIALLY ADAPTED FOR USE IN CONNECTION WITH AIRCRAFT; DESIGNING, MANUFACTURING, ASSEMBLING, CLEANING, MAINTAINING OR REPAIRING AIRCRAFT, NOT OTHERWISE PROVIDED FOR; HANDLING, TRANSPORTING, TESTING OR INSPECTING AIRCRAFT COMPONENTS, NOT OTHERWISE PROVIDED FOR

Definition statement

This place covers:

- Ground installations
- Aircraft carrier installations
- Ground installations specially adapted for captive aircraft
- Designing, manufacturing, assembling cleaning, repairing aircraft

B64F 1/00

Ground or aircraft-carrier-deck installations (specially adapted for captive aircraft [B64F 3/00](#))

Definition statement

This place covers:

- Runways and taxiways dispositions
- Terminals

References

Limiting references

This place does not cover:

Installations specially adapted for captive aircraft	B64F 3/00
--	---------------------------

Informative references

Attention is drawn to the following places, which may be of interest for search:

Aircraft carriers	B63
Fog-dispersal installations	E01H
Wind tunnels	G01M
Grounded flight trainers	G09B

B64F 1/002

{Taxiing aids}

Definition statement

This place covers:

- Indicators for taxiways;
- Docking systems for gates.

References

Informative references

Attention is drawn to the following places, which may be of interest for search:

Visual or acoustic landing aids	B64F 1/18
Ground or aircraft-carrier-deck installations for towing aircraft	B64F 1/223
Alighting gear characterised by powered wheels, e.g. for taxiing	B64C 25/405

B64F 1/005

{Protective coverings for aircraft not in use}

References

Informative references

Attention is drawn to the following places, which may be of interest for search:

Tent-like garages	E04H
-------------------	----------------------

B64F 1/007

{Helicopter portable landing pads}

References

Informative references

Attention is drawn to the following places, which may be of interest for search:

Paving take-off areas for vertically starting aircraft	E01C 9/008
Landing platforms for helicopters	E01F 3/00

B64F 1/02

for arresting aircraft, e.g. nets or cables

Definition statement

This place covers:

- Net type arresting gear at the end of runways;
- Arresting surfaces;
- Liquid barriers.

References

Informative references

Attention is drawn to the following places, which may be of interest for search:

Vehicle decelerating or arresting surfaces	E01C 9/007
--	----------------------------

B64F 1/027**{using net or mesh}****Definition statement***This place covers:*

Devices for arresting or capturing aircraft using nets or mesh.

B64F 1/029**{using a cable or tether}****Definition statement***This place covers:*

Devices for arresting or capturing aircraft using cables or tethers.

B64F 1/0295**{aerodynamically or aerostatically supported, e.g. parafoil or balloon}****Definition statement***This place covers:*

Arresting or capture devices that are supported via airborne means.

References**Informative references***Attention is drawn to the following places, which may be of interest for search:*

Releasing or reberthing aircraft in flight	B64D 5/00
--	---------------------------

B64F 1/0297**{adjustable to align with aircraft trajectory}****Definition statement***This place covers:*

Devices which, when deployed, may be altered to arrest or capture aircraft from differing flight path angles.

B64F 1/0299**{characterized by the use of multiple devices}****Definition statement***This place covers:*

Systems using multiple of the same or differing type of arresting or capturing devices.

B64F 1/04**for launching aircraft****References****Informative references**

Attention is drawn to the following places, which may be of interest for search:

Railway aspects	B61
Aircraft towing aircraft	B64D 3/00
Ammunition launching gear	F41F

B64F 1/14**Towers or masts for mooring airships or balloons****References****Informative references**

Attention is drawn to the following places, which may be of interest for search:

Mooring attachments of lighter-than-air aircraft	B64B 1/66
Building aspects	E04H 6/00 , E04H 12/00

B64F 1/18**Visual or acoustic landing aids {(taxiing aids [B64F 1/002](#))}****Definition statement**

This place covers:

- Acoustic aids
- Wind vanes

References**Limiting references**

This place does not cover:

Taxiing aids	B64F 1/002
--------------	----------------------------

Informative references

Attention is drawn to the following places, which may be of interest for search:

Optical or acoustic signalling in general	G08
---	---------------------

B64F 1/20

Arrangement of optical beacons

Definition statement

This place covers:

Arrangements of lights

References

Informative references

Attention is drawn to the following places, which may be of interest for search:

Lights	F21S
--------	----------------------

Special rules of classification

There will be an indexing scheme for the following:

Underground lights indicating landing path

Lights using LEDs

Glossary of terms

In this place, the following terms or expressions are used with the meaning indicated:

LED	Light Emitting Diode
-----	----------------------

B64F 1/22

for handling aircraft

Definition statement

This place covers:

Installations on the ground or on carrier decks for the towing, storing and moving of aircraft not under their own power, including towing gear and including trolleys and dollies on which the aircraft may be temporarily placed.

References

Informative references

Attention is drawn to the following places, which may be of interest for search:

Taxiing aids	B64F 1/002
--------------	----------------------------

B64F 1/222

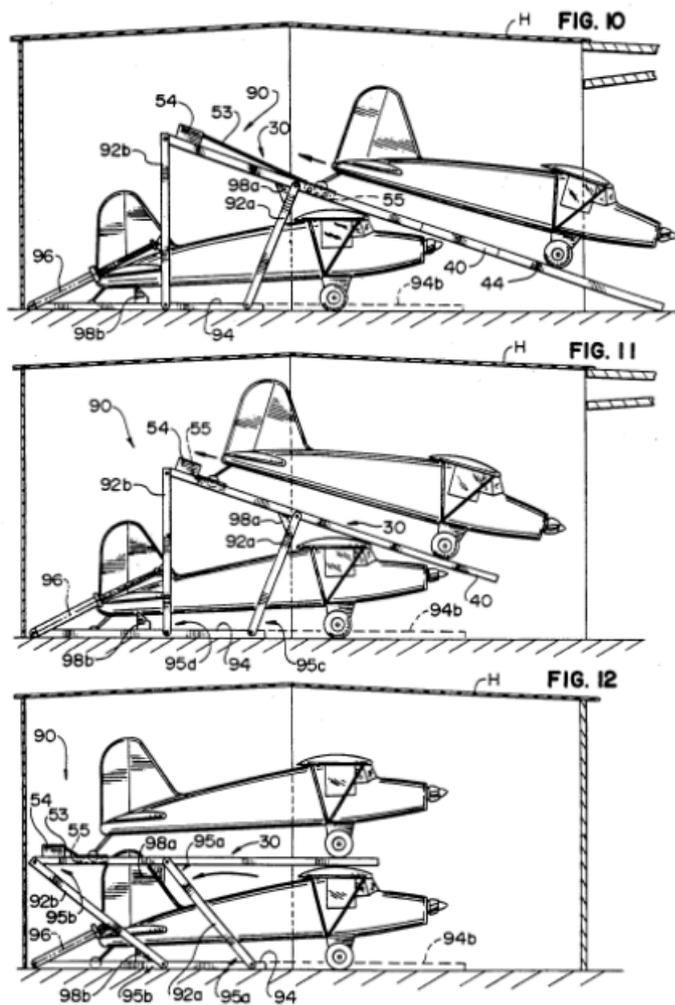
for storing aircraft, e.g. in hangars

Definition statement

This place covers:

Installations such as conveyors or lifts on the ground, on aircraft-carrier decks or within buildings for moving aircraft to or from storage locations.

Illustrative example of subject matter classified in this group:



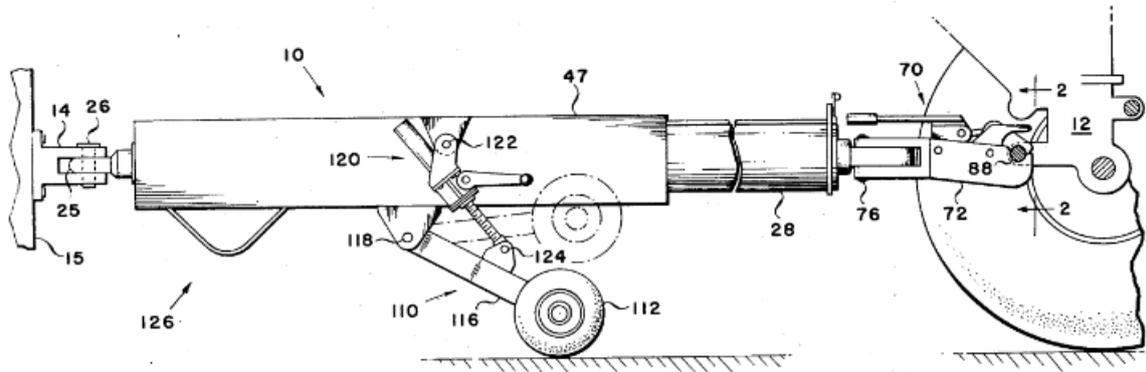
References

Informative references

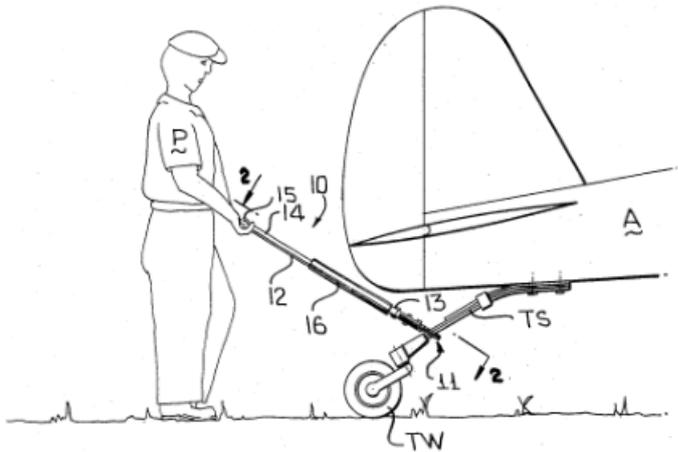
Attention is drawn to the following places, which may be of interest for search:

Moving UAV to supply/launch location	B64U 80/10
Buildings for storing aircraft	E04H 6/44

1. Bars connectable between an aircraft and a vehicle:



2. Bars connectable to an aircraft for manually turning or towing:



Synonyms and Keywords

In patent documents, the following words/expressions are often used as synonyms:

- "towing bar", "tow bar" and "towing arm"

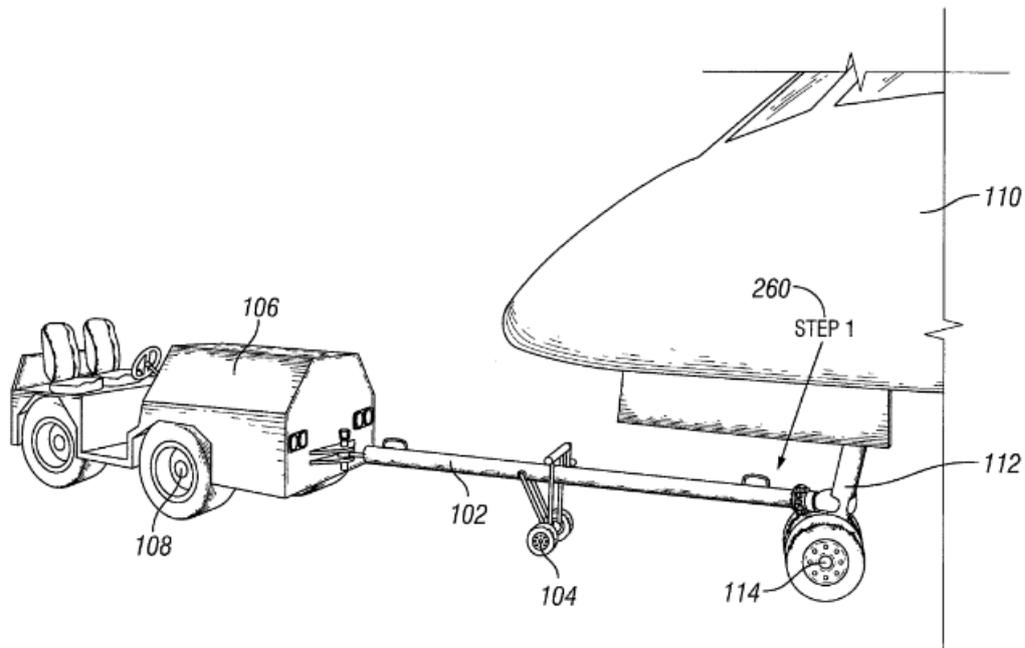
B64F 1/225

Vehicles specially adapted therefor, e.g. aircraft tow tractors

Definition statement

This place covers:

Illustrative example of subject matter classified in this group:

**References****Informative references**

Attention is drawn to the following places, which may be of interest for search:

Vehicles adapted for carrying aircraft	B60P 3/11
Hand-propelled vehicles, e.g. hand carts	B62B
Tractors	B62D 49/00
Motor vehicles characterised by the driver not being seated	B62D 51/00

B64F 1/226

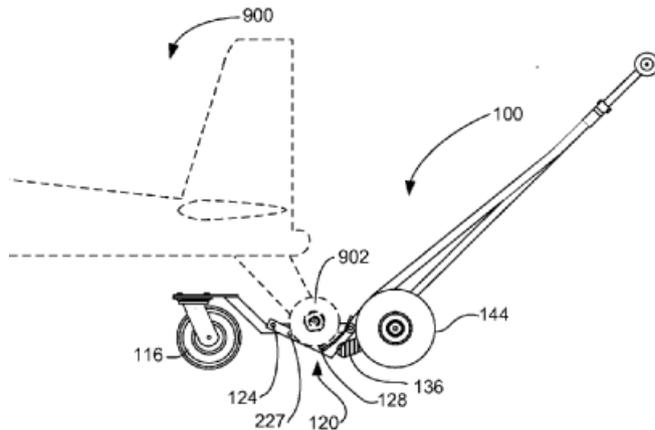
{hand manipulated, e.g. hand carts or motorised walk-type tractors}

Definition statement

This place covers:

Vehicles for towing aircraft which are propelled by a walking person or steered by a walking person manually changing the direction of the vehicle.

Illustrative example of subject matter classified in this group:



B64F 1/28

Liquid-handling installations specially adapted for fuelling stationary aircraft

References

Informative references

Attention is drawn to the following places, which may be of interest for search:

Handling liquid in general	B67
----------------------------	---------------------

B64F 1/30

for embarking or disembarking passengers

Definition statement

This place covers:

Devices (not vehicles) adapted to transfer passengers between terminal and aircraft

B64F 1/305

Bridges extending between terminal building and aircraft, e.g. telescopic, vertically adjustable

Definition statement

This place covers:

Finger type gates

References

Informative references

Attention is drawn to the following places, which may be of interest for search:

Docking systems for gates	B64F 1/002
---------------------------	----------------------------

B64F 1/31

Passenger vehicles specially adapted to co-operate, e.g. dock, with aircraft or terminal buildings

Definition statement

This place covers:

Vehicles adapted to transfer passengers between terminal and aircraft

B64F 1/315

Mobile stairs

References**Informative references**

Attention is drawn to the following places, which may be of interest for search:

Movable stairways in general	E04F 11/04
------------------------------	----------------------------

B64F 1/32

for handling freight

Definition statement

This place covers:

Ground installations or vehicles specially adapted for loading freight into and out of an aircraft, e.g. scissors type trucks.

References**Informative references**

Attention is drawn to the following places, which may be of interest for search:

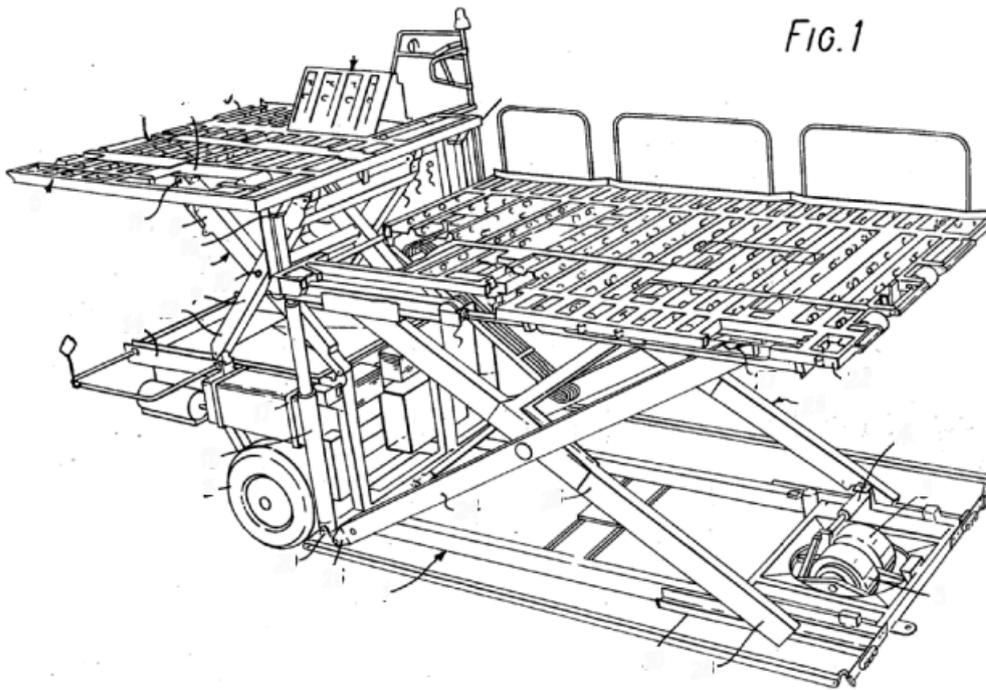
Load transporting vehicles modified to facilitate loading or unloading	B60P 1/00
--	---------------------------

B64F 1/322

{Cargo loaders specially adapted for loading air freight containers or palletized cargo into or out of the aircraft}

Definition statement

This place covers:

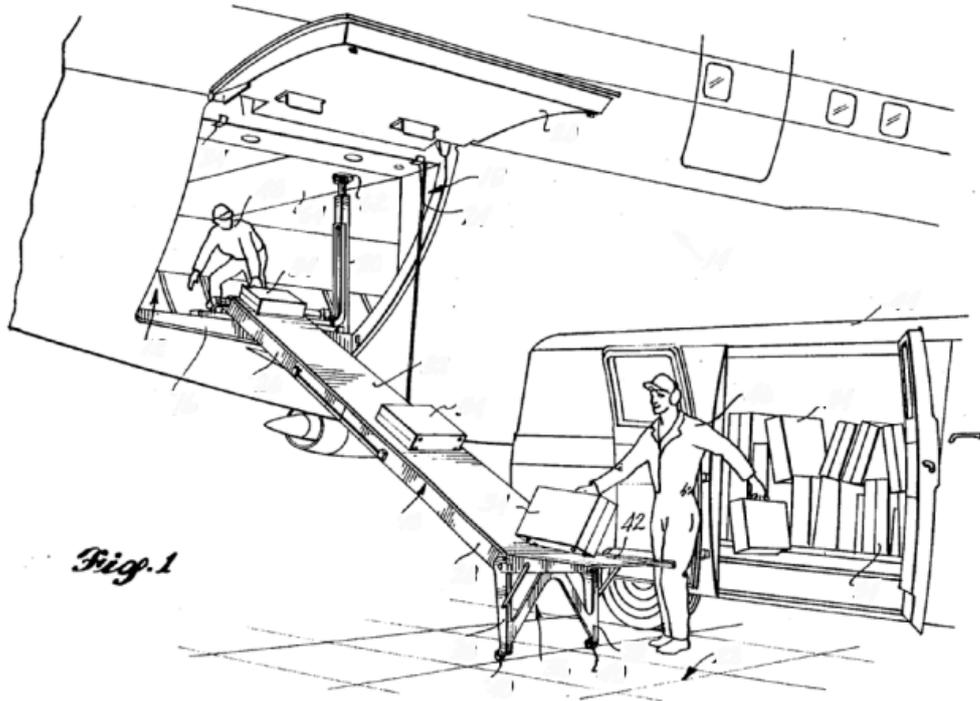


B64F 1/324

{Luggage loaders specially adapted for loading individual luggage items into or out of the aircraft}

Definition statement

This place covers:

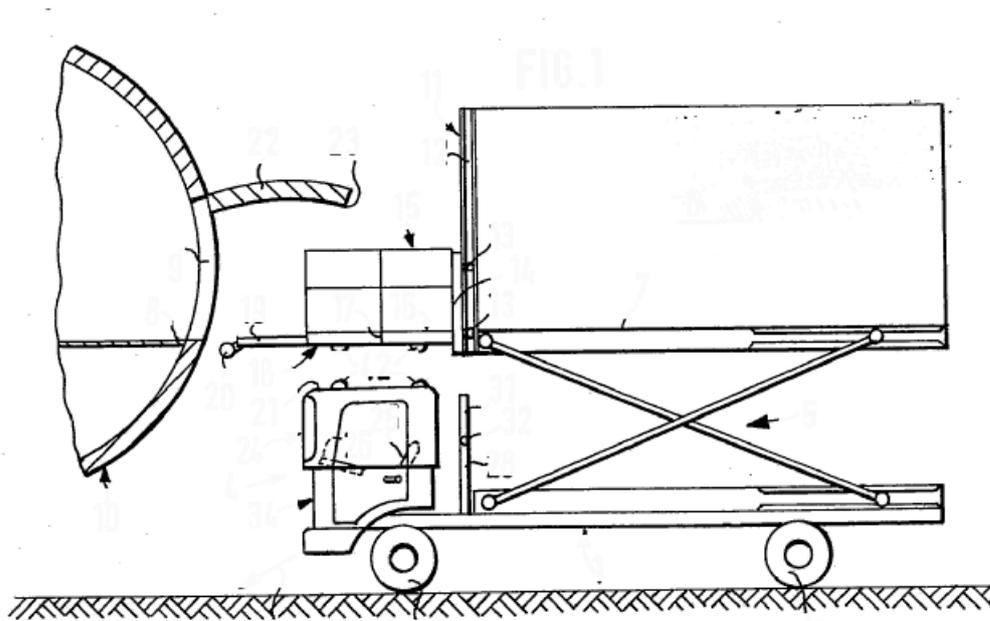


B64F 1/326

{Supply vehicles specially adapted for transporting catering to and loading into the aircraft}

Definition statement

This place covers:



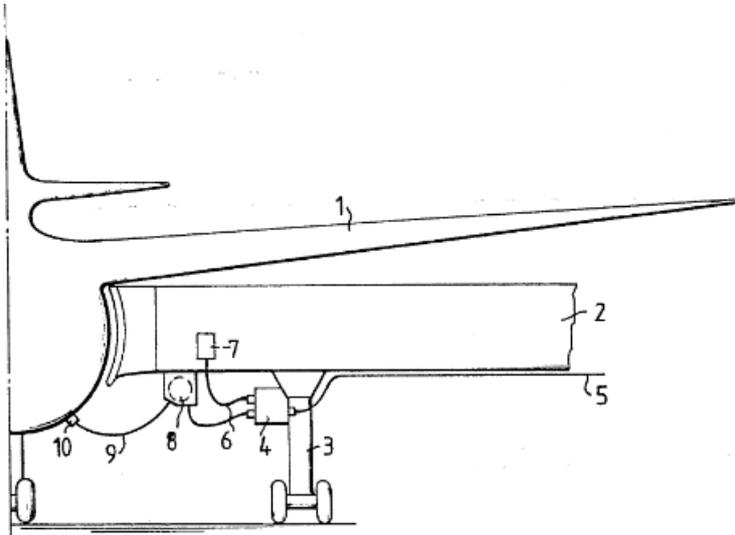
B64F 1/35

for supplying electrical power to stationary aircraft

Definition statement

This place covers:

Illustrative example of subject matter classified in this group:

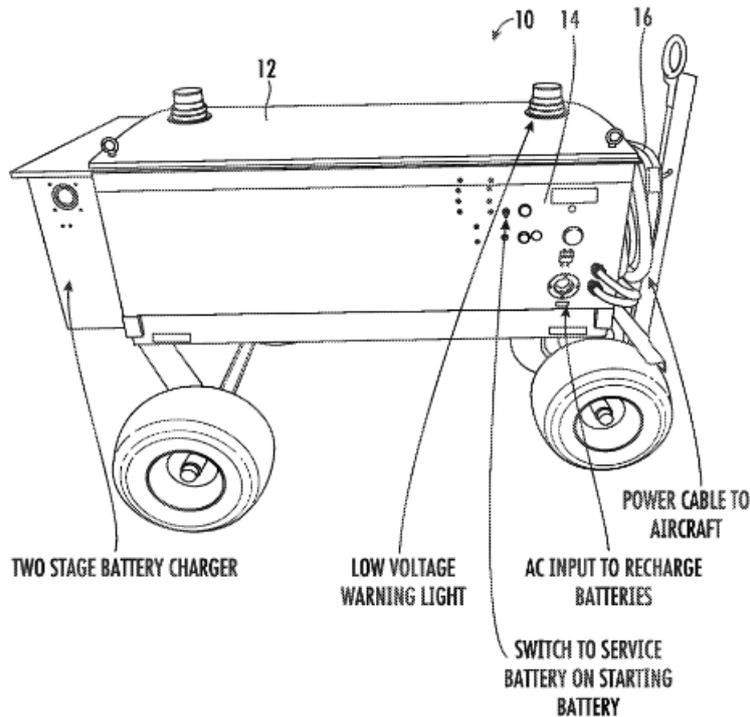
**References****Informative references**

Attention is drawn to the following places, which may be of interest for search:

Charging batteries for electric vehicles	B60L 53/00
Recharging batteries for UAVs	B64U 80/25

B64F 1/352**{Mobile units}****Definition statement***This place covers:*

Illustrative example of subject matter classified in this group:

**B64F 1/36****Other airport installations (ground installations for de-icing aircraft [B64F 5/20](#))****Definition statement***This place covers:*

- Portable landing pads
- Managing aircraft in airports
- Sky jumps

References**Limiting references***This place does not cover:*

Ground installations for de-icing aircraft	B64F 5/20
--	---------------------------

Informative references*Attention is drawn to the following places, which may be of interest for search:*

Aircraft carriers	B63
-------------------	---------------------

Construction of, or surfacing for, airfields	E01C
Fog-dispersal installations	E01H
Wind tunnels	G01M
Grounded flight trainers	G09B

B64F 1/362

{Installations for supplying conditioned air to parked aircraft}

Definition statement

This place covers:

- Fixed installations for supplying conditioned air to aircraft;
- Hoses therefor.

References

Informative references

Attention is drawn to the following places, which may be of interest for search:

Air conditioning for aircraft crew or passengers, or freight space	B64D 13/06
Air conditioning in general	F24F

B64F 1/364

{Mobile units}

Definition statement

This place covers:

Mobile installations for supplying conditioned air to aircraft.

References

Informative references

Attention is drawn to the following places, which may be of interest for search:

Air conditioning for aircraft crew or passengers, or freight space	B64D 13/06
Air conditioning in general	F24F

B64F 1/366

{Check-in counters}

Definition statement

This place covers:

- Check-in counters
- Routing baggage from counters to aircraft

References

Informative references

Attention is drawn to the following places, which may be of interest for search:

Detecting prohibited goods, e.g. weapons, explosives, hazardous substances, contraband or smuggled objects	G01V 5/20
Tags	G01V 15/00
Entry or exit registers	G07C 9/00

B64F 3/00

Ground installations specially adapted for captive aircraft

Definition statement

This place covers:

Installations in the ground specifically adapted for use with aircraft designed to maintain physical contact with the earth while in flight (i.e. the ground-based equipment for captive/tethered aircraft (which aircraft would be in [B64C 39/022](#))).

References

Informative references

Attention is drawn to the following places, which may be of interest for search:

Railway aspects	B61
-----------------	---------------------

B64F 5/00

Designing, manufacturing, assembling, cleaning, maintaining or repairing aircraft, not otherwise provided for; Handling, transporting, testing or inspecting aircraft components, not otherwise provided for

Definition statement

This place covers:

Methods and installations not covered in any of the groups [B64B](#), [B64C](#), [B64D](#) and involved in: aerodynamic and structural design, testing, cleaning and polishing, maintaining (including keeping ready for flight, such as de-icing), and repairing of aircraft and aircraft-specific parts, components, and subassemblies and assembling of these into aircraft-specific subassemblies and entire aircraft.

References

Informative references

Attention is drawn to the following places, which may be of interest for search:

Devices for detecting or indicating a hard landing	B64D 2045/008
Devices for aircraft health monitoring	B64D 2045/0085
Measuring length; thickness or similar linear dimensions; measuring angles; measuring areas; measuring irregularities of surfaces or contours	G01B
Aerodynamic testing; Arrangements in or on wind tunnels	G01M 9/00
Computer-aided design of aircraft	G06F 30/15

Computer-aided design of aircraft fuselages	G06F 2113/28
Administration, management	G06Q 10/00
Indicating or registering the working of machines	G07C 5/00

B64F 5/10

Manufacturing or assembling aircraft, e.g. jigs therefor

Definition statement

This place covers:

- Devices specially adapted for assembling or manufacturing aircraft
- Jigs therefor

References

Informative references

Attention is drawn to the following places, which may be of interest for search:

Work benches	B25H 1/00
--------------	---------------------------

B64F 5/20

Ground installations for de-icing aircraft

Definition statement

This place covers:

Devices for the detection of icing conditions on aircraft on the ground

References

Informative references

Attention is drawn to the following places, which may be of interest for search:

Aircraft-fitted installations for de-icing or preventing icing on exterior surfaces of aircraft	B64D 15/00
Indicating weather conditions	G01W 1/00
Alarm responsive to formation or anticipated formation of ice	G08B 19/02

B64F 5/60

Testing or inspecting aircraft components or systems

Definition statement

This place covers:

- Maintenance equipment
- Health monitoring

References

Informative references

Attention is drawn to the following places, which may be of interest for search:

Registering or indicating the working of vehicles	G07C 5/00
---	---------------------------