

B65B

MACHINES, APPARATUS OR DEVICES FOR, OR METHODS OF, PACKAGING ARTICLES OR MATERIALS; UNPACKING (bundling and pressing devices for cigars [A24C 1/44](#); devices for tensioning and securing binders adapted to be supported by the article or articles to be bound [B25B 25/00](#); applying closure members to bottles, jars or similar containers [B67B 1/00-B67B 6/00](#); concurrent cleaning, filling and closing of bottles [B67C 7/00](#); emptying bottles, jars, cans, casks, barrels or similar containers [B67C 9/00](#))

Definition statement

This place covers:

The following general guidance can be applied in this subclass:

Main groups [B65B 1/00-B65B 17/00](#) relate to general aspects of packaging, wrapping, bundling and closing of packages.

Main groups [B65B 19/00-B65B 29/00](#) relate to the packaging, wrapping or bundling of articles/materials with special problems.

Main group [B65B 31/00](#) relates to the packaging under special atmospheric conditions.

Main group [B65B 33/00](#) relates to packaging by applying removable/strippable coatings.

Main groups [B65B 35/00-B65B 39/00](#) relate to the feeding of material to be packaged.

Main groups [B65B 41/00-B65B 45/00](#) relate to the feeding/supporting of the wrapping material/container.

Main groups [B65B 47/00-B65B 53/00](#) and [B65B 61/00](#) relate to operations performed on the wrapping material/container.

Main group [B65B 63/00](#) relates to auxiliary operations performed on the article/material to be packaged.

Main group [B65B 55/00](#) relates to preserving/sterilising.

Main groups [B65B 57/00-B65B 59/00](#) and [B65B 65/00](#) relates to the control/adaptation/details of the packaging machine.

Main group [B65B 67/00](#) relates to manual packaging.

Main group [B65B 69/00](#) relates to unpacking.

Machines, apparatus, or methods of general application for packaging individual articles, groups of articles or quantities of material in solid, pulverulent, liquid, semi liquid or mixed solid and liquid form including mainly the following operations:

- filling portable containers or receptacles with articles or materials to form packages;
- inserting articles or groups of articles into containers or receptacles;
- closing filled containers or receptacles otherwise than by metal-working, glass-working, or wood-working operations;
- enclosing, or partially enclosing, articles or quantities of material, in sheets, strips, blanks, webs, or tubes of thin flexible material, e.g. wrapping;
- applying removable coatings, e. g. strippable coatings;
- bundling articles, e.g. holding articles together in groups by applying string or wire;

Definition statement

- attaching articles to cards, sheets, or webs.

Machines, apparatus, or methods adapted for packaging articles or materials presenting special problems or for special packaging operations e. g. packaging of specially shaped articles, of fragile, sensitive, tacky objects or of all sorts of foodstuffs.

Machines, apparatus, or methods adapted for packaging of articles or materials in packages that can have an additional function e. g. packaging of tea in tea-bags or of food intended to be cooked in the package.

Machines, apparatus, or methods adapted for packaging of articles or materials under special atmospheric or gaseous conditions.

Filling aerosol containers with propellants.

Packaging articles by applying removable e.g. strippable coatings.

Details of, auxiliary devices applied to, or auxiliary measures taken in, machines, apparatus, or methods

- relating to the articles or materials to be packed:

- supplying, feeding, arranging, or orientating articles to be packed;
- supplying or feeding fluent-solid, plastic, or liquid material, or loose masses of small articles to be packaged;
- nozzles, funnels, or guides for introducing articles or materials into containers or wrappers;
- miscellaneous auxiliary devices operating on articles or materials to be packaged and not otherwise provided for;

- relating to the containers, packages or receptacles in association with packaging:

- forming, feeding, opening, or setting-up containers or receptacles;
- supplying or feeding container-forming sheets or wrapping material;
- apparatus or devices for supporting or holding wrappers during wrapping operation;
- apparatus or devices for forming pockets or receptacles in or from sheets, blanks, or webs;
- devices for folding or bending wrappers around contents;
- devices for, or methods of, sealing or securing package folds or closures, e.g. twisted bag necks;
- shrinking wrappers, containers, container covers or container cover securing members during or after packaging;
- miscellaneous auxiliary devices for operating on sheets, blanks, webs, binding material, containers or packages, and not otherwise provided for;

- relating to the machines, apparatus, or methods themselves:

- automatic control, checking, warning, or safety devices of packaging machines;
- arrangements to give access for cleaning or maintenance purposes;
- arrangements to enable machines to handle articles of different sizes, to produce packages of different sizes, to vary the contents of packages;
- details peculiar to packaging machines and not otherwise provided for, e. g. special gearing, anti-sticking material, devices for counting and registering;
- preserving, protecting, or purifying packages or package contents in association with packaging.

Apparatus or devices facilitating manual packaging operations.

Sack holders.

Unpacking of articles or materials.

Relationships with other classification places

Operations like filling, inserting, enclosing or bundling of articles or attaching articles to webs or cards that are employed in the manufacture of the articles and not part of a packaging process, are covered by the appropriate subclasses, e.g. making confectionery products by casting in moulds formed by wrappers [A23G](#), filling ammunition, e.g. cartridges, [F42B 33/02](#).

Similarly, operations like filling, inserting, enclosing of material into bags, webs and similar material that are employed in the manufacture of a wrapping material as such, are not considered to be packaging in the meaning of [B65B](#) and covered by the appropriate subclasses, e.g. making dunnage or cushion pads [B31D 5/0039](#).

Packaging operations for a particular purpose, for which a special classification place exists and which is listed in the application oriented references, are only classified in [B65B](#) if the packaging operation is also of general interest and applicable to operations for other purposes.

Relationship with subclass [B65D](#):

[B65B](#) does not cover methods of packaging, which are wholly characterised by the form of the package produced, or the form of the container or packaging-element used, which are covered by [B65D](#).

Relationship with subclass [B65G](#):

[B65G](#) covers storage or transport devices (e.g. conveyers) in general whereby [B65B](#) covers those devices if they are restricted to packaging.

Relationship with subclass [B67C](#):

The group [B67C 3/00](#) covers primarily the filling or bottling of bottles, cans, jars, barrels or casks with beverages or other (similar) liquids or semi-liquids, on a relatively large production scale, for example as is done in the beverage, soft drink or wine industry or in breweries. The filling of containers with liquids or semi-liquids using apparatus other than bottling or like apparatus is covered by the group [B65B 3/00](#).

References

Limiting references

This place does not cover:

| | |
|--|--|
| Bundling and pressing devices for cigars | A24C 1/44 |
| Devices for tensioning and securing binders adapted to be supported by the article or articles to be bound | B25B 25/00 |
| Applying closure members to bottles jars, or similar containers; | B67B 1/00 , B67B 3/00 , B67B 5/00 , B67B 6/00 |
| Concurrent cleaning, filling and closing of bottles | B67C 7/00 |
| Emptying bottles, jars, cans, casks, barrels or similar containers | B67C 9/00 |

Application-oriented references

Examples of places where the subject matter of this place is covered when specially adapted, used for a particular purpose, or incorporated in a larger system:

| | |
|---|----------------------------|
| Machines for forming slabs of butter with packaging devices | A01J 21/02 |
| Sausage filling or stuffing machines | A22C 11/02 |
| Shopping bag or carton-dispensing systems specifically adapted for check-out counters | A47F 9/042 |

Application-oriented references

| | |
|---|---|
| Shopping bag or paper bag holders for shops | A47F 13/08 |
| Filling and assembling of medical capsules | A61J 3/07 |
| Filling of syringes in situ | A61M 5/1782 |
| Inserting documents in envelopes and closing the latter | B43M 3/00 , B43M 5/00 |
| Filling fuel into fuel tanks | B67D 7/00 |
| Packaging of matches | C06F 1/12 |
| Cutting machines specially adapted for sugar in combination with sorting and packaging machines | C13B 45/02 |
| Filling of grease guns | F16N 37/02 |
| Packaging of ammunition or explosive charges | F42B 39/00 |
| Devices for wrapping coins | G07D 9/065 |

References out of a residual place

Examples of places in relation to which this place is residual:

| | |
|--|---------------------------|
| Hand or power-operated devices not attached to, or not incorporated in, containers or container closures for opening closed containers | B67B 7/00 |
|--|---------------------------|

Informative references

Attention is drawn to the following places, which may be of interest for search:

| | |
|--|---|
| Preservation of foodstuffs in general | A23B , A23L |
| Manufacture and preparation of tobacco | A24B |
| Apparatus for applying liquids or other fluent materials to surfaces in general | B05C |
| Cleaning machinery and conduits | B08B |
| Hand-held nailing or stapling tools; manually operated portable stapling tools | B25C |
| Cutting or severing in general | B26D , B26F |
| Nailing or stapling devices | B27F |
| Sealing thermoplastics in general by joining | B29C 65/00 |
| Presses in general | B30B |
| Making bags and boxes in general | B31B |
| Printing in general | B41F , B41J |
| Labelling | B65C |
| Containers for storage or transport of articles or materials e.g. bags, barrels, bottles, boxes, cans, cartons, etc. and other packaging elements, e.g. binders, closures, protective caps | B65D |
| Transport or storage devices in general, e.g. conveyers for loading or tipping; Stacking and de-stacking of articles in general | B65G |
| Handling sheets or webs of interest apart from their application in packaging machines | B65H |
| Filling bottles or other containers with liquids or semi-liquids by bottling machines | B67C 3/00 |

| | |
|------------------------------------|----------------------------|
| Funnels, e.g. for bottling liquids | B67C 11/00 |
| Volumetric measurement in general | G01F |
| Weighing in general | G01G |

Special rules of classification

In subclass [B65B](#) all embodiments of a document and all aspects of that embodiment are to be classified, irrespective of it being subject-matter of a claim or not.

Classification is done in the lowest subgroup that applies. If several subgroups apply equally, for example for various embodiments of a document, the document is classified in all of those subgroups, but not collectively in the higher ranking group, unless the higher group is the only group that applies for a particular embodiment.

Characteristics merely mentioned in the description as possible embodiments but not allowing complete understanding of its implementation are classified as additional information. For example, in the following disclosure:

"The seal head which has been described in detail in this application is also applicable to vertical form fill seal machines as known from the prior art."

-the seal head should be classified as invention information and the vertical form fill seal machine as additional information.

Similarly, features identifiable from the drawings but not described in the description should be classified as additional information.

Glossary of terms

In this place, the following terms or expressions are used with the meaning indicated:

| | |
|----------------------|---|
| Packaging | Should be understood as including mainly the following operations: - Filling portable containers or receptacles with materials or small articles to form packages; - inserting articles, or groups of articles, into containers or receptacles; - closing filled containers or receptacles otherwise than by metal-, glass-, or wood-working operations; - enclosing, or partially enclosing, articles or quantities of material, in sheets, strips, blanks, webs, or tubes of thin flexible material, e.g. wrapping; - bundling articles, e.g. holding articles together in groups by applying string or wire; - attaching articles to cards, sheets, or webs. |
| Package | Is used to mean the end product of a packaging operation, e.g. a filled and closed container, an article enclosed in a wrapper, a group of articles held together by string or wire, a crate of bottles. |
| Materials | Is to be understood as embracing matter, or masses of articles, which are to be packaged, as distinct from separate or individual articles. |
| Container/Receptacle | An individual structure comprising a barrier for confining its content, e.g. bags, sacks, boxes, cartons, cans, jars. |
| Wrapper | A wrapper can refer both to the wrapping material as such, e.g. in form of a strip or a sheet of flexible material, as well as to the finished flexible structure for containing the product. When a wrapper is used as an alternative to a container in the titles of B65B , it is to be understood as a more flexible structure than the container. |

| | |
|-------------------|---|
| Wrapping material | Blanks, sheets, and webs (see definition below). |
| Blanks | Sheets pre-cut and creased for being folded into an individual container. |
| Strips/Sheets | Individual pre-cut sections of flexible material used for forming a single container or for producing a single package. |
| Webs | Continuous sections of flexible material used for partially or wholly enclosing the contents before separating the so formed package from the web supply. |

B65B 1/00

Packaging fluent solid material, e.g. powders, granular or loose fibrous material, loose masses of small articles, in individual containers or receptacles, e.g. bags, sacks, boxes, cartons, cans, or jars

References

Application-oriented references

Examples of places where the subject matter of this place is covered when specially adapted, used for a particular purpose, or incorporated in a larger system:

| | |
|---|----------------------------|
| Packaging materials presenting special problems | B65B 29/00 |
|---|----------------------------|

Informative references

Attention is drawn to the following places, which may be of interest for search:

| | |
|---|----------------------------|
| Packaging liquids in individual containers | B65B 3/00 |
| Packaging articles in individual containers | B65B 5/00 |
| Packaging materials presenting special problems | B65B 29/00 |
| Packaging under special atmospheric or gaseous conditions | B65B 31/00 |
| Filling bags at stream, river, coast or marine sites, e.g. sandbags | E02B 3/127 |

B65B 1/02

Machines characterised by the incorporation of means for making the containers or receptacles (from flat, folded, or tubular webs of flexible sheet material [B65B 9/00](#))

Definition statement

This place covers:

Forming or setting-up containers just before filling, the material being subsequently filled into these preformed containers.

Machines incorporating means for making the containers or receptacles from flat, folded, or tubular webs of flexible sheet material, but which containers or receptacles are separated from the web before being filled

References**Limiting references**

This place does not cover:

| | |
|---|---------------------------|
| Packaging successive quantities of material in flat, folded, or tubular webs of flexible sheet material | B65B 9/00 |
|---|---------------------------|

Informative references

Attention is drawn to the following places, which may be of interest for search:

| | |
|---|---|
| Making boxes or bags independently from packaging operations see the relevant groups of | B31B and its Indexing Codes |
|---|---|

B65B 1/22**by vibration****References****Informative references**

Attention is drawn to the following places, which may be of interest for search:

| | |
|--|----------------------------|
| Supplying or feeding material by vibratory feeders | B65B 37/04 |
|--|----------------------------|

B65B 1/28**Controlling escape of air or dust from containers or receptacles during filling****References****Informative references**

Attention is drawn to the following places, which may be of interest for search:

| | |
|---|----------------------------|
| Cleaning of, or removing dust from, containers, wrappers or packaging | B65B 55/24 |
|---|----------------------------|

B65B 1/32**by weighing (check-weighing of filled containers or receptacles [B65B 1/46](#))****References****Limiting references**

This place does not cover:

| | |
|--|---------------------------|
| Check-weighing of filled containers or receptacles | B65B 1/46 |
|--|---------------------------|

Informative references

Attention is drawn to the following places, which may be of interest for search:

| | |
|--|----------------------------|
| Separating measured quantities from supply by weighing | B65B 37/18 |
| Weighing of cut products | B26D 7/30 |

| | |
|---|-----------------------------|
| Weighing in general | G01G |
| Loss-in-weight type feed control in general, i.e. differential dosing | G01G 11/086 |
| Combinatorial weighing in general | G01G 19/387 |

B65B 1/36

**by volumetric devices or methods (checking volume of filled material
[B65B 1/48](#))**

References

Limiting references

This place does not cover:

| | |
|------------------------------------|---------------------------|
| Checking volume of filled material | B65B 1/48 |
|------------------------------------|---------------------------|

Informative references

Attention is drawn to the following places, which may be of interest for search:

| | |
|--|----------------------------|
| Separating measured quantities from supply by volume measurement | B65B 37/20 |
| Volumetric measurement in general | G01F |

B65B 1/38

by pistons co-operating with measuring chambers

References

Informative references

Attention is drawn to the following places, which may be of interest for search:

| | |
|--------------------|----------------------------|
| Details of pistons | F04B 53/00 |
|--------------------|----------------------------|

B65B 1/46

Check-weighing of filled containers or receptacles

References

Informative references

Attention is drawn to the following places, which may be of interest for search:

| | |
|---------------------------|----------------------------|
| Check weighing in general | G01G 15/00 |
|---------------------------|----------------------------|

B65B 3/00

Packaging plastic material, semiliquids, liquids or mixed solids and liquids, in individual containers or receptacles, e.g. bags, sacks, boxes, cartons, cans, or jars

References**Application-oriented references**

Examples of places where the subject matter of this place is covered when specially adapted, used for a particular purpose, or incorporated in a larger system:

| | |
|---|----------------------------|
| Dispensing a measured quantity of ingredients into a cup or other receptacle as part of a beverage making apparatus | A47J 31/40 |
| Filling fuel into fuel tanks | B67D 7/00 |
| Filling lubricants into machine tanks | F01M 11/04 |
| Filling liquids with coin-freed apparatus, i.e. vending | G07F 13/00 |

Informative references

Attention is drawn to the following places, which may be of interest for search:

| | |
|---|----------------------------|
| Packaging powders in individual containers | B65B 1/00 |
| Packaging articles in individual containers | B65B 5/00 |
| Packaging under special atmospheric or gaseous conditions; Adding propellants to aerosol containers | B65B 31/00 |
| Filling bottles or other containers with liquids or semi-liquids by bottling machines | B67C 3/00 |

B65B 3/003

{Filling medical containers such as ampoules, vials, syringes or the like}

Definition statement

This place covers:

Filling of medical containers with semi-liquids, liquids, mixed solids and liquids and fluidised powder.

References**Application-oriented references**

Examples of places where the subject matter of this place is covered when specially adapted, used for a particular purpose, or incorporated in a larger system:

| | |
|--|-----------------------------|
| Filling and assembling of medical capsules | A61J 3/07 |
| Filling of syringes in situ | A61M 5/1782 |

Informative references

Attention is drawn to the following places, which may be of interest for search:

| | |
|-------------------------|----------------------------|
| Sealing filled ampoules | B65B 7/161 |
|-------------------------|----------------------------|

| | |
|--|-----------------------------|
| Applying plugs/stoppers to filled syringes | B65B 7/2821 |
| Fraction collection sampling | G01N 1/18 |
| Automatic devices for transferring samples to, in or from the analysis apparatus | G01N 35/10 |
| Mixing different liquid (medication) in a vending machine | G07F 13/06 |
| ICT specially adapted for therapies or health-improving plans relating to drugs or medications, e.g. for ensuring correct administration to patients | G16H 20/10 |

B65B 3/02

Machines characterised by the incorporation of means for making the containers or receptacles

Definition statement

This place covers:

Forming or setting-up containers just before filling, the material being subsequently filled into these preformed containers.

Machines incorporating means for making the containers or receptacles from flat, folded, or tubular webs of flexible sheet material, but which containers or receptacles are separated from the web before being filled.

References

Informative references

Attention is drawn to the following places, which may be of interest for search:

| | |
|---|---|
| Packaging successive quantities of material in flat, folded, or tubular webs of flexible sheet material | B65B 9/00 |
| Making boxes or bags independently from packaging operations see the relevant groups of | B31B and its Indexing Codes |

B65B 3/022

{Making containers by moulding of a thermoplastic material}

References

Informative references

Attention is drawn to the following places, which may be of interest for search:

| | |
|---|----------------------------|
| For blow moulding preforms by hot liquids that remain in the finished container see also the indexing scheme of | B29C 49/46 |
| Moulds for blow-moulding | B29C 49/48 |

B65B 3/025**{Making parallelepipedal containers from a single carton blank}****References****Informative references***Attention is drawn to the following places, which may be of interest for search:*

| | |
|---|---|
| Forming three-dimensional containers from sheet material by folding | B65B 43/10 |
| Making boxes independently from packaging operations see the relevant groups of | B31B , B31B 2100/00 |

B65B 3/027**{Making containers from separate body and end-parts}****References****Informative references***Attention is drawn to the following places, which may be of interest for search:*

| | |
|--|---|
| Making containers independently from packaging operations see the relevant groups of | B31B , B31B 2105/00 |
|--|---|

B65B 3/04**Methods of, or means for, filling the material into the containers or receptacles****Definition statement***This place covers:*

Methods of, or means for filling the material into individual containers or receptacles and interconnected bags.

B65B 3/22**Defoaming liquids in connection with filling****References****Informative references***Attention is drawn to the following places, which may be of interest for search:*

| | |
|-------------------------------|----------------------------|
| Foam dispersion or prevention | B01D 19/02 |
| Preventing foaming in bottles | B67C |

B65B 3/24**Topping-up containers or receptacles to ensure complete filling****References*****Informative references***

Attention is drawn to the following places, which may be of interest for search:

| | |
|--------------------------------|----------------------------|
| Head space air removing device | B67C 3/222 |
|--------------------------------|----------------------------|

B65B 3/28**by weighing****References*****Informative references***

Attention is drawn to the following places, which may be of interest for search:

| | |
|--|----------------------------|
| Separating measured quantities from supply by weighing | B65B 37/18 |
| Weighing in general | G01G |

B65B 3/30**by volumetric measurement****References*****Informative references***

Attention is drawn to the following places, which may be of interest for search:

| | |
|--|----------------------------|
| Separating measured quantities from supply by volume measurement | B65B 37/20 |
| Volumetric measurement in general | G01F |

B65B 3/32**by pistons co-operating with measuring chambers****References*****Informative references***

Attention is drawn to the following places, which may be of interest for search:

| | |
|--------------------|----------------------------|
| Details of pistons | F04B 53/00 |
|--------------------|----------------------------|

B65B 5/00

Packaging individual articles in containers or receptacles, e.g. bags, sacks, boxes, cartons, cans, jars

References

Application-oriented references

Examples of places where the subject matter of this place is covered when specially adapted, used for a particular purpose, or incorporated in a larger system:

| | |
|--|----------------------------|
| Packaging bottles | B65B 21/00 |
| Packaging articles presenting special problems | B65B 25/00 |

Informative references

Attention is drawn to the following places, which may be of interest for search:

| | |
|--|----------------------------|
| Packaging powders in individual containers | B65B 1/00 |
| Packaging liquids in individual containers | B65B 3/00 |
| Packaging under special atmospheric conditions | B65B 31/00 |
| Packages for surgical instruments | A61B 50/30 |

B65B 5/02

Machines characterised by incorporation of means for making the containers or receptacles

Definition statement

This place covers:

Forming or setting-up containers just before filling, the articles being subsequently filled into these preformed containers.

The container can be a collapsed carton sleeve; accent remaining on filling.

Machines incorporating means for making the containers or receptacles from flat, folded, or tubular webs of flexible sheet material, but which containers or receptacles are separated from the web before being filled.

References

Informative references

Attention is drawn to the following places, which may be of interest for search:

| | |
|---|---|
| Packaging successive articles in flat, folded, or tubular webs of flexible sheet material | B65B 9/00 |
| Making boxes or bags independently from packaging operations see the relevant groups of | B31B and its Indexing Codes |

B65B 5/022**{for making bags}****References****Informative references***Attention is drawn to the following places, which may be of interest for search:*

| | |
|--|---|
| Making bags independently from packaging operations see the relevant groups of | B31B , B31B 70/00 |
|--|---|

B65B 5/024**{for making containers from preformed blanks}****Definition statement***This place covers:*

Cartons formed adjacent to the articles, the articles being subsequently inserted into these preformed cartons.

References**Informative references***Attention is drawn to the following places, which may be of interest for search:*

| | |
|--|---|
| Packaging by wrapping a carton blank around the article | B65B 11/06 |
| Opening, erecting or setting up cartons | B65B 43/26 |
| Making containers independently from packaging operations see the relevant groups of | B31B , B31B 50/00 |

B65B 5/026**{for making trays}****References****Informative references***Attention is drawn to the following places, which may be of interest for search:*

| | |
|---|---|
| Making trays independently from packaging operations see the relevant groups of | B31B , B31B 50/00 , B31B 2100/00 |
|---|---|

B65B 5/028

{for making containers from two or more blanks ([B65B 5/026](#) takes precedence)}

References**Informative references**

Attention is drawn to the following places, which may be of interest for search:

| | |
|--|---|
| Making containers independently from packaging operations see the relevant groups of | B31B , B31B 2105/00 , B31B 2120/00 |
|--|---|

B65B 5/045

{in bags}

References**Informative references**

Attention is drawn to the following places, which may be of interest for search:

| | |
|--------------------|---|
| Packaging of bread | B65B 25/16 , B65B 25/18 |
|--------------------|---|

B65B 5/08

Packaging groups of articles, the articles being individually gripped or guided for transfer to the containers or receptacles

Definition statement

This place covers:

This subgroup covers the gripping of a group of articles, wherein the articles are being gripped individually and simultaneously by the gripper.

References**Informative references**

Attention is drawn to the following places, which may be of interest for search:

| | |
|--|----------------------------|
| Arranging and feeding articles in groups by grippers | B65B 35/36 |
| Grippers in general | B25J |
| Grippers for transferring articles to/from/between conveyors | B65G 47/90 |

B65B 5/10

Filling containers or receptacles progressively or in stages by introducing successive articles, or layers of articles

References

Informative references

Attention is drawn to the following places, which may be of interest for search:

| | |
|--|----------------------------|
| Stacking one article or groups of articles upon another before packaging | B65B 35/50 |
|--|----------------------------|

Special rules of classification

Containers filled in stages by introducing complete "layers" of articles, the documents are additionally to be classified in the relevant subgroups of [B65B 5/06](#) or [B65B 5/08](#).

B65B 5/103

{for packaging pills or tablets}

Definition statement

This place covers:

This group covers the packaging pills or tablets in containers or receptacles and in a blister web.

References

Informative references

Attention is drawn to the following places, which may be of interest for search:

| | |
|---|------------------------------|
| Checking correctness of packaged medicine, such as tablets, capsules, or the like, with optical means | G01N 21/9508 |
| Assembling and dispensing pharmaceutical articles in a coin-freed apparatus (i.e. vending machine) | G07F 17/0092 |

Special rules of classification

Packaging pills or tablets in a blister web are additionally classified in [B65B 9/045](#) or [B65B 11/52](#) according to the method in which the blister-web is produced.

B65B 5/105

{by grippers ([B65B 5/12](#) and [B65B 5/108](#) take precedence)}

References

Informative references

Attention is drawn to the following places, which may be of interest for search:

| | |
|--|----------------------------|
| Arranging and feeding separate articles by grippers | B65B 35/16 |
| Arranging and feeding articles in groups by grippers | B65B 35/36 |
| Grippers in general | B25J |
| Grippers for transferring articles to/from/between conveyors | B65G 47/90 |

B65B 5/108**{Article support means temporarily arranged in the container}****References****Informative references***Attention is drawn to the following places, which may be of interest for search:*

| | |
|--|-----------------------------|
| Guides or funnels for introducing articles into containers or wrappers | B65B 39/007 |
|--|-----------------------------|

B65B 7/00**Closing containers or receptacles after filling****References****Informative references***Attention is drawn to the following places, which may be of interest for search:*

| | |
|--|--|
| Filling into individual containers | B65B 1/00 , B65B 3/00 , B65B 5/00 |
| Packaging under special atmospheric or gaseous conditions | B65B 31/00 |
| Conditioning packages in combination with closing/sealing containers | B65B 31/046 , B65B 31/06 |
| Securing package folds or closures, securing necks of bags | B65B 51/00 |
| Shrinking wrappers containers or container covers | B65B 53/00 |
| Sterilisation of packages or package contents | B65B 55/00 |
| Control | B65B 57/00 |
| Machine modularity/adaptability | B65B 59/00 |
| Closing boxes or bags independently from packaging operations see | B31B , B31B 50/004 , B31B 70/004 |

B65B 7/02**Closing containers or receptacles deformed by, or taking-up shape, of, contents, e.g. bags, sacks****References****Informative references***Attention is drawn to the following places, which may be of interest for search:*

| | |
|--|-----------------------------|
| Sealing of bags by generating heat or pressure | B65B 51/146 |
|--|-----------------------------|

B65B 7/12**and twisting****References****Informative references***Attention is drawn to the following places, which may be of interest for search:*

| | |
|--|----------------------------|
| Devices for gathering or twisting wrappers, or necks of bags | B65B 51/00 |
|--|----------------------------|

B65B 7/14**Closing collapsible or resilient tubes, e.g. for tooth paste, for lighter fuel****References****Informative references***Attention is drawn to the following places, which may be of interest for search:*

| | |
|---|-------------------------------|
| Heating tube ends to facilitate their sealing | B29B 13/025 |
| Details of tools for joining the tube end by welding plastics materials | B29C66/463123 |

B65B 7/16**Closing semi-rigid or rigid containers or receptacles not deformed by, or not taking-up shape of, contents, e.g. boxes or cartons****References****Application-oriented references***Examples of places where the subject matter of this place is covered when specially adapted, used for a particular purpose, or incorporated in a larger system:*

| | |
|--|----------------------------|
| Closing metal cans or tins by metal-working operations | B21D 51/26 |
|--|----------------------------|

Informative references*Attention is drawn to the following places, which may be of interest for search:*

| | |
|---|--|
| Applying closure members to bottles, jars or similar containers | B67B 1/00 , B67B 3/00 , B67B 5/00 , B67B 6/00 |
| Concurrent cleaning filling and sealing of bottles | B67C 7/00 |

Special rules of classification

[B65B 7/16](#) does not cover the closing of metal containers with metal closures nor the closing of metal containers using purely metal-working operations, which are both covered by [B21D 51/2653](#). Classification is done in both places for example when a filled non-metal container is covered by a metal closure using metal-working operations.

B65B 7/161**{Sealing filled ampoules}****References*****Informative references****Attention is drawn to the following places, which may be of interest for search:*

| | |
|---|-----------------------------|
| Filling ampoules | B65B 3/003 |
| Scoring ampoules | B65B 3/006 |
| Applying plugs or stoppers to filled syringes | B65B 7/2821 |

B65B 7/162**{by feeding web material to securing means}****Definition statement***This place covers:*

The closing of containers by feeding web material across the open container and securing it thereto.

References***Informative references****Attention is drawn to the following places, which may be of interest for search:*

| | |
|--|--|
| Machines incorporating means for making the container | B65B 1/02 , B65B 3/02 , B65B 5/02 |
| Making of container by forming pockets in a lower sheet or web to which the web is fed for securing is classified in the relevant subgroups of | B65B 47/00 |
| Cutting of web | B65B 61/04 |

B65B 7/164**{Securing by heat-sealing}****References*****Informative references****Attention is drawn to the following places, which may be of interest for search:*

| | |
|--|----------------------------|
| Devices for applying or generating heat | B65B 51/10 |
| Joining thermoplastic materials by heat in general | B29C 65/02 |

B65B 7/167**{Securing by heat-shrinking}****References*****Informative references****Attention is drawn to the following places, which may be of interest for search:*

| | |
|----------------------------|----------------------------|
| Devices for heat shrinking | B65B 53/02 |
|----------------------------|----------------------------|

B65B 7/28**by applying separate preformed closures, e.g. lids, covers****References*****Limiting references****This place does not cover:*

| | |
|--|----------------------------|
| Applying separate securing members, e.g. clips, staples, adhesive tape, stitches | B65B 51/04 |
|--|----------------------------|

B65B 7/2807**{Feeding closures}****References*****Informative references****Attention is drawn to the following places, which may be of interest for search:*

| | |
|---|-----------------------------|
| Feeding of auto-adhesives by labelling machines | B65C 9/1884 |
|---|-----------------------------|

B65B 7/2821**{applying plugs or threadless stoppers (for bottles or jars [B67B 1/04](#))}****Definition statement***This place covers:*

The application of plugs or stoppers to filled syringes.

References***Limiting references****This place does not cover:*

| | |
|-----------------|---------------------------|
| Bottles or jars | B67B 1/04 |
|-----------------|---------------------------|

B65B 7/2842**{Securing closures on containers (in general [B65B 51/00](#))}****References****Limiting references***This place does not cover:*

| | |
|--|----------------------------|
| Securing closures on containers in general | B65B 51/00 |
|--|----------------------------|

Informative references*Attention is drawn to the following places, which may be of interest for search:*

| | |
|--|----------------------------|
| Securing package folds or closures, securing necks of bags | B65B 51/00 |
|--|----------------------------|

B65B 7/285**{by deformation of the closure}****References****Application-oriented references***Examples of places where the subject matter of this place is covered when specially adapted, used for a particular purpose, or incorporated in a larger system:*

| | |
|--|----------------------------|
| Forming the circumferential seam of a metal can by deformation | B21D 51/30 |
|--|----------------------------|

Special rules of classification

[B65B 7/285](#) does not cover the closing of metal containers with metal closures, which is covered by [B21D 51/30](#). Classification is done in both places for example when a filled non-metal container is covered by a metal closure using metal-working operations.

B65B 7/2864**{by adhesive tape}****References****Informative references***Attention is drawn to the following places, which may be of interest for search:*

| | |
|---|------------------------------|
| Applying adhesive tape for securing package folds or package closures | B65B 51/06 |
| Details of tools for joining plastic material by applying adhesive tape | B29C 65/50 |
| Adhesive tape dispensers | B65H 35/0006 |

B65B 7/2871**{by gluing}****References****Informative references***Attention is drawn to the following places, which may be of interest for search:*

| | |
|---|----------------------------|
| Devices for applying adhesives or sealing liquids | B65B 51/02 |
| Details of gluing tools | B29C 65/48 |

B65B 7/2878**{by heat-sealing}****References****Informative references***Attention is drawn to the following places, which may be of interest for search:*

| | |
|---|----------------------------|
| Devices for applying or generating heat | B65B 51/10 |
| Joining plastics by heating in general | B29C 65/02 |

B65B 7/2885**{by heat-shrinking (in general [B65B 53/02](#))}****References****Informative references***Attention is drawn to the following places, which may be of interest for search:*

| | |
|----------------------------|----------------------------|
| Devices for heat shrinking | B65B 53/02 |
|----------------------------|----------------------------|

B65B 9/00

**Enclosing successive articles, or quantities of material, e.g. liquids or semiliquids, in flat, folded, or tubular webs of flexible sheet material;
Subdividing filled flexible tubes to form packages**

Definition statement*This place covers:*

Packaging successive articles or quantities of material in webs of flexible sheet material. The typical form fill seal machines (FFS) are classified here. "Successive" in the title should be understood such, that packaging of the next article or material in-line is started before the packaging of the present article is brought to an end. The present packaged article is normally not separated from the web before the next article is enclosed therein.

References

Informative references

Attention is drawn to the following places, which may be of interest for search:

| | |
|--|-----------------------------|
| Enclosing articles in strips, sheets, blanks or webs of flexible material by wrapping | B65B 11/00 |
| Packages for surgical instruments | A61B 50/30 |
| Making cushion pads or dunnage products from paper or film | B31D 5/0039 |
| Fixing semiconductor or solid state devices or parts thereof (e.g. wafers) on specially adapted carriers | H01L 21/673 |
| Loading electric components into containers during manufacture of printed circuits | H05K 13/021 |

Special rules of classification

Operations like filling, inserting, enclosing of material into webs of flexible material that are employed in the manufacture of a wrapping material as such, are not considered to be enclosing in the meaning of [B65B 9/00](#) and covered by the appropriate subclasses, e.g. making dunnage or cushion pads [B31D 5/0039](#).

In this main group, the following features are additionally classified in the following places:

| | |
|---|----------------------------|
| Packaging special articles | B65B 25/00 |
| Conditioning packages | B65B 31/00 |
| Feeding webs | B65B 41/00 |
| Securing package folds or closures | B65B 51/00 |
| Shrinking wrappers containers or container covers | B65B 53/00 |
| Sterilisation of packages or package contents | B65B 55/00 |
| Control | B65B 57/00 |
| Machine modularity/adaptability | B65B 59/00 |
| Operations on the web | B65B 61/00 |
| Details of machines | B65B 65/00 |
| Packaging special material | B65B 29/00 |

B65B 9/026

{the webs forming a curtain}

References

Informative references

Attention is drawn to the following places, which may be of interest for search:

| | |
|--|-------------------------------|
| Manufacturing absorbent pads, e.g. sanitary towels | A61F 13/15577 |
|--|-------------------------------|

B65B 9/04

one or both webs being formed with pockets for the reception of the articles, or of the quantities of material

References**Informative references**

Attention is drawn to the following places, which may be of interest for search:

| | |
|--|----------------------------|
| Forming tool details for thermoforming plastic materials are classified in | B29C 51/18 |
|--|----------------------------|

Special rules of classification

| | |
|---|-------------------------------|
| In this group and its subgroups the tool detail rotary pocket former is also given the classification | B65B 2009/047 |
|---|-------------------------------|

B65B 9/042

{for fluent material}

Glossary of terms

In this place, the following terms or expressions are used with the meaning indicated:

| | |
|--------|--|
| Fluent | liquid or gas or granular or pulverulent |
|--------|--|

B65B 9/045

{for single articles, e.g. tablets}

Definition statement

This place covers:

Blister packages where the pockets are formed before insertion of the articles.

References**Limiting references**

This place does not cover:

| | |
|--------------------------------------|----------------------------|
| Blister packs formed around articles | B65B 11/52 |
|--------------------------------------|----------------------------|

B65B 9/06

Enclosing successive articles, or quantities of material, in a longitudinally-folded web, or in a web folded into a tube about the articles or quantities of material placed upon it

Special rules of classification

In this group and its subgroups the detail forming shoulder is additionally given the classification

[B65B 2009/063](#)

B65B 9/067

the web advancing continuously ([B65B 9/08](#) takes precedence)

Special rules of classification

If the document discloses both continuous and intermittent operation, classification is done in both [B65B 9/067](#) and [B65B 9/073](#)

B65B 9/073

the web having intermittent motion ([B65B 9/08](#) takes precedence)

Special rules of classification

If the document discloses both continuous and intermittent operation, classification is done in both [B65B 9/067](#) and [B65B 9/073](#)

B65B 9/087

the web advancing continuously

Special rules of classification

If the document discloses both continuous and intermittent operation, classification is done in both [B65B 9/087](#) and [B65B 9/093](#)

B65B 9/093

the web having intermittent motion

Special rules of classification

If the document discloses both continuous and intermittent operation, classification is done in both [B65B 9/087](#) and [B65B 9/093](#)

B65B 9/10

Enclosing successive articles, or quantities of material, in preformed tubular webs, or in webs formed into tubes around filling nozzles, e.g. extruded tubular webs

References**Application-oriented references**

Examples of places where the subject matter of this place is covered when specially adapted, used for a particular purpose, or incorporated in a larger system:

| | |
|--------------------------------------|----------------------------|
| Sausage filling or stuffing machines | A22C 11/02 |
|--------------------------------------|----------------------------|

B65B 9/14**Devices for distending tubes supplied in the flattened state****References****Limiting references**

This place does not cover:

| | |
|--|----------------------------|
| Distending tubes that are to be applied to bottles | B65C 3/065 |
|--|----------------------------|

B65B 9/20**the webs being formed into tubes in situ around the filling nozzles****References****Informative references**

Attention is drawn to the following places, which may be of interest for search:

| | |
|---|-----------------------------|
| Evacuating, gassifying, or pressurising in combination with filling | B65B 31/045 |
|---|-----------------------------|

Special rules of classification

Packages of special shape are also classified in [B65B 9/2056](#) or [B65B 9/2063](#). Examples of packages classified in [B65B 9/2056](#) comprise for instance pyramide bags, bags with double chambers and bags with varying cross-sections.

Packages produced with an apparatus/method of this subgroup(s) and which are additionally packaged into a further container are also classified in the Indexing Codes of [B65B 2220/16](#).

B65B 9/2021**{combined with longitudinal welding devices}****Definition statement**

This place covers:

Heated belts, heated rollers.

References**Informative references**

Attention is drawn to the following places, which may be of interest for search:

| | |
|---|----------------------------|
| Structural features of longitudinal welding devices | B65B 51/26 |
|---|----------------------------|

B65B 9/2035**{Tube guiding means}****References****Informative references***Attention is drawn to the following places, which may be of interest for search:*

| | |
|---|----------------------------|
| Tube formers | B65B 9/22 |
| Guiding of the web by rollers before the tube is formed | B65B 41/16 |

Special rules of classificationRollers for guiding and for forming tubes are classified both here and in [B65B 9/22](#)**B65B 9/2042****{Means for altering the cross-section of the tube filling opening prior to transversal sealing, e.g. tube spreading devices (subdividing filled tubes to form two or more packages by sealing involving displacement of contents [B65B 9/12](#))}****Definition statement***This place covers:*

Spreading devices.

Gusset tucking devices.

Creation of additional edge welds after forming of tube for giving the package more stability.

B65B 9/2049**{Package shaping devices acting on filled tubes prior to sealing the filling opening (shaping or reshaping completed packages [B65B 61/24](#))}****Definition statement***This place covers:*

Folding in corners

Rotary forming devices, etc.

References**Limiting references***This place does not cover:*

| | |
|---|-----------------------------|
| Means for stripping to remove air or products from sealing area | B65B 9/2007 |
| If shaping takes place after cutting the container off, e.g. reshaping completed packages | B65B 61/24 |

B65B 9/207

the web advancing continuously ([B65B 9/22](#) takes precedence)

Special rules of classification

If document discloses both continuous and intermittent operation, classification is done in both [B65B 9/213](#) and [B65B 9/207](#)

B65B 9/213

the web having intermittent motion ([B65B 9/22](#) takes precedence)

Special rules of classification

If document discloses both continuous and intermittent operation, classification is done in both [B65B 9/213](#) and [B65B 9/207](#)

B65B 9/22

Forming shoulders; Tube formers

Special rules of classification

If tube is formed by rollers, then classification [B65B 9/2035](#) is also given.

If document shows a form fill seal (FFS) machine then classification is also done in [B65B 9/207](#) and/or [B65B 9/213](#) or [B65B 9/20](#)

B65B 11/00

Wrapping, e.g. partially or wholly enclosing, articles or quantities of material, in strips, sheets or blanks, of flexible material (bundling articles by applying narrow strips or bands of flexible material [B65B 13/00](#))

Definition statement

This place covers:

Two main aspects:

- Wrapping by application of a web in (several) layers onto the articles or quantities of material, the web not necessarily being a pre-cut strip, sheet or blank;
- Packaging in (cut off) strips sheets and blanks of flexible material applied around the articles or quantities of material.

The first aspect is covered by subgroups [B65B 11/006](#), [B65B 11/008](#), [B65B 11/02](#) and [B65B 11/04](#).

The second aspect is covered by subgroups [B65B 11/004](#), [B65B 11/06](#), [B65B 11/48](#), [B65B 11/50](#), [B65B 11/54](#), [B65B 11/56](#) and [B65B 11/58](#).

References**Limiting references**

This place does not cover:

| | |
|---|----------------------------|
| Bundling articles by applying narrow strips or bands of flexible material | B65B 13/00 |
|---|----------------------------|

Informative references

Attention is drawn to the following places, which may be of interest for search:

| | |
|--|----------------------------|
| Cartons pre-formed adjacent to the article, the article subsequently being inserted into the pre-formed carton | B65B 5/024 |
| Enclosing successive articles or materials in flexible webs | B65B 9/00 |
| Devices for folding or bending wrappers around contents | B65B 49/00 |
| Devices for gathering or twisting wrappers | B65B 51/00 |
| Shaping webs or sheets by stretching | B29C 55/02 |

Special rules of classification

The following features are additionally classified in the following places:

Packaging bottles [B65B 21/00](#)

Packaging special articles [B65B 25/00](#)

Conditioning packages [B65B 31/00](#)

Feeding webs [B65B 41/00](#)

Devices for folding or bending wrappers around contents [B65B 49/00](#)

Details of securing package folds or closures [B65B 51/00](#) .

Shrinking wrappers containers or container covers [B65B 53/00](#) .

Sterilisation of packages or package contents [B65B 55/00](#).

Control [B65B 57/00](#).

Machine modularity/adaptability [B65B 59/00](#)

Operations on the web [B65B 61/00](#).

Details of machines [B65B 65/00](#).

B65B 11/004

{in blanks, e.g. sheets precut and creased for folding }

References**Informative references**

Attention is drawn to the following places, which may be of interest for search:

| | |
|---|---|
| Folding blanks around a mandrel to create a container see | B65B , B31B 50/28 |
| Devices for folding or bending wrappers around contents | B65B 49/00 |

Special rules of classification

Documents classified here are additionally classified in [B65B 11/06](#) and its subgroups, provided they apply.

B65B 11/006**{Helical strip wrapping combined with roping}****Special rules of classification**

Documents classified here are additionally classified in [B65B 2210/14](#) and its subgroups, provided they apply.

Glossary of terms

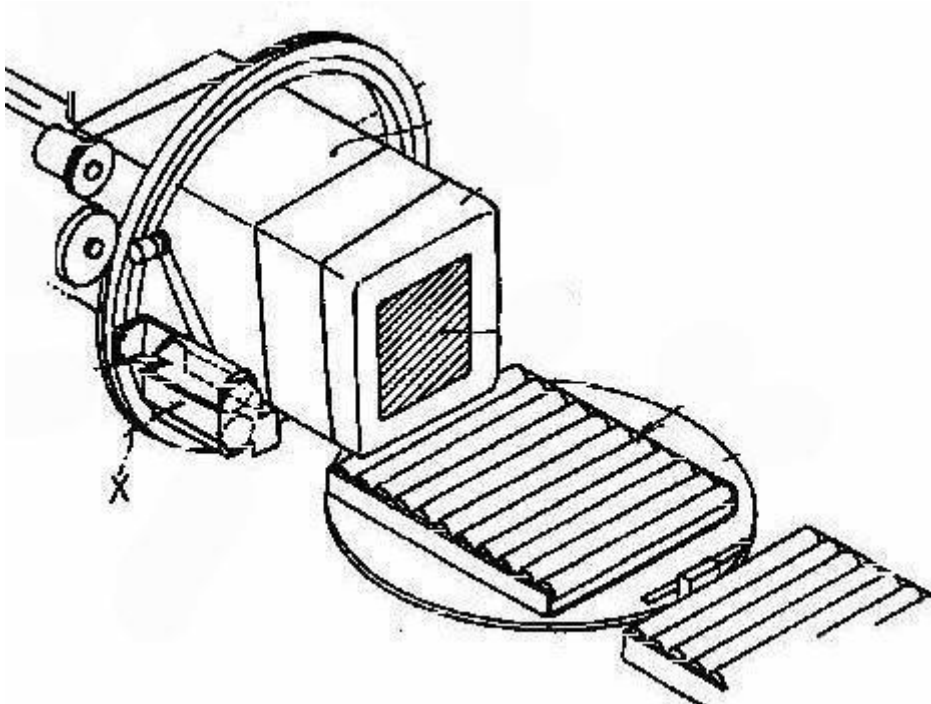
In this place, the following terms or expressions are used with the meaning indicated:

| | |
|--------|---|
| Roping | gathering the flat web into a rope, which is applied helically around the object or to finish the wrapping operation. |
|--------|---|

B65B 11/008**{by webs revolving around articles moved along the axis of revolution}****Definition statement**

This place covers:

Helicoidal wrapping, the article being moved:



JP2002225807

References**Limiting references**

This place does not cover:

| | |
|---|---|
| Helicoidal wrapping around stationary or merely rotating articles | B65B 11/02 , B65B 11/04 |
|---|---|

Special rules of classification

Documents classified here are additionally classified in [B65B 2210/14](#) and its subgroups, provided they apply.

B65B 11/02

Wrapping articles or quantities of material, without changing their position during the wrapping operation, e.g. in moulds with hinged folders (by doubling a wrapper and securing its opposed free margins to enclose contents [B65B 11/48](#); by disposing contents between two sheets and securing their opposed free margins [B65B 11/50](#))

References

Limiting references

This place does not cover:

| | |
|--|----------------------------|
| Wrapping articles by doubling a wrapper and securing its opposed free margins to enclose contents | B65B 11/48 |
| Wrapping articles by disposing contents between two sheets and securing their opposed free margins | B65B 11/50 |

Informative references

Attention is drawn to the following places, which may be of interest for search:

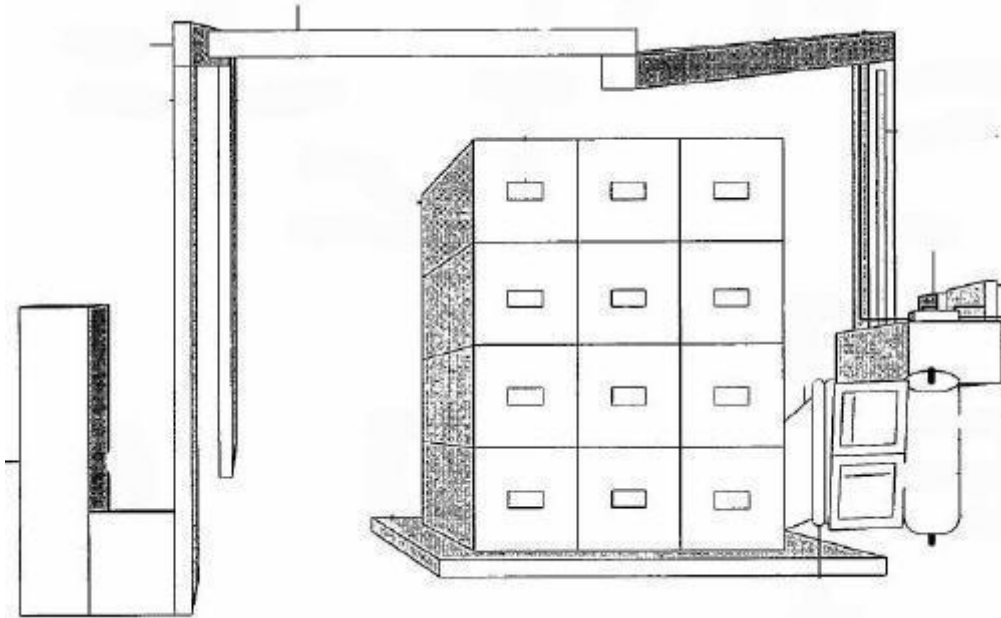
| | |
|--|----------------------------|
| Covering or wrapping cores by winding webs, tapes, or filamentary material | B65H 81/00 |
|--|----------------------------|

B65B 11/025

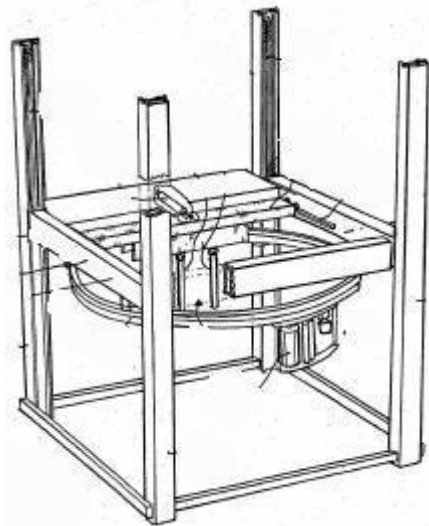
{by webs revolving around stationary articles}

Definition statement

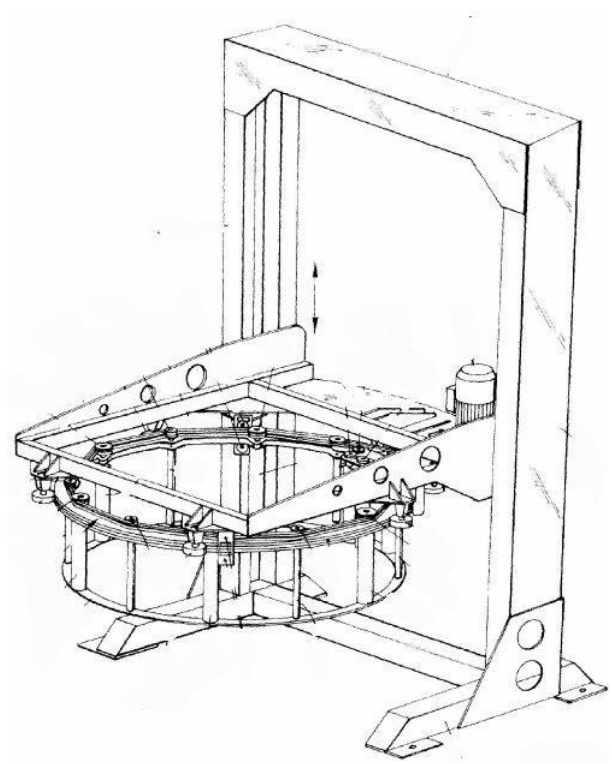
This place covers:



WO2006050440 Rotary arm type



EP1471004 stationary ring type, the dispenser alone moving along the ring



EP1705119 rotary ring type

Special rules of classification

Documents classified here are additionally classified in [B65B 2210/14](#) and its subgroups, provided they apply.

B65B 11/04

the articles being rotated

References

Application-oriented references

Examples of places where the subject matter of this place is covered when specially adapted, used for a particular purpose, or incorporated in a larger system:

| | |
|--|-----------------------------|
| Wrapping devices for individual bales of straw, hay or the like, in particular as part of a baling press | A01F 15/071 |
|--|-----------------------------|

B65B 11/06

Wrapping articles, or quantities of material, by conveying wrapper and contents in {common} defined paths

Definition statement

This place covers:

the conveying of wrapper and article along common paths.

Definition statement

Emphasis is put on the word common, meaning the path taken by the article from the point where it first touches the wrapper.

Examples:

- The article is conveyed along a straight path and pushed into a seat of a wrapping machine - this would be a common straight path whereby the wrapper is folded around the article.
- The article is conveyed along a straight path and pushed into a seat of a wrapping machine, the wrapping machine subsequently completing the wrapping of the article along a different straight direction than the first straight path -this would be a two straight paths taken by wrapper and article.
- The wrapper with the article undergo a folding operation along the rotary path of a turret - this would be a common curved path taken by the article and wrapper.
- A wrapping operation comprising both a straight path and a curved path would be a combination of straight and curved paths.

References

Limiting references

This place does not cover:

| | |
|-------------------|----------------------------|
| Wrapping of coins | G07D 9/065 |
|-------------------|----------------------------|

Special rules of classification

Articles wrapped in preformed blanks, e.g. blanks precut and creased for

| | |
|---|-----------------------------|
| Folding, are additionally classified in | B65B 11/004 |
|---|-----------------------------|

B65B 11/10

to fold the wrappers in tubular form about contents

References

Informative references

Attention is drawn to the following places, which may be of interest for search:

| | |
|------------------|-----------------------------|
| Wrapping bottles | B65B 21/245 |
|------------------|-----------------------------|

B65B 11/105

{the axis of the tube being parallel to the conveying direction}

References

Informative references

Attention is drawn to the following places, which may be of interest for search:

| | |
|------------------|----------------------------|
| Wrapping bottles | B65B 21/24 |
|------------------|----------------------------|

B65B 11/14**the ends of the tube being subsequently twisted****References*****Informative references****Attention is drawn to the following places, which may be of interest for search:*

| | |
|------------------|----------------------------|
| Twisting devices | B65B 51/00 |
|------------------|----------------------------|

B65B 11/24**the ends of the tube being subsequently twisted****References*****Informative references****Attention is drawn to the following places, which may be of interest for search:*

| | |
|------------------|----------------------------|
| Twisting devices | B65B 51/00 |
|------------------|----------------------------|

B65B 11/34**the ends of the tube being subsequently twisted****References*****Informative references****Attention is drawn to the following places, which may be of interest for search:*

| | |
|------------------|----------------------------|
| Twisting devices | B65B 51/00 |
|------------------|----------------------------|

B65B 11/44**the ends of the tube being subsequently twisted****References*****Informative references****Attention is drawn to the following places, which may be of interest for search:*

| | |
|------------------|----------------------------|
| Twisting devices | B65B 51/00 |
|------------------|----------------------------|

B65B 11/52

one sheet being rendered plastic, e.g. by heating, and forced by fluid pressure, e.g. vacuum, into engagement with the other sheet and contents, e.g. skin- {, blister-, or bubble-} packaging

Definition statement

This place covers:

Blister packs formed around the articles by two sheets

References**Informative references**

Attention is drawn to the following places, which may be of interest for search:

| | |
|---|----------------------------|
| Enclosing successive articles in blister packages where the pockets are formed in one or both of two opposed webs | B65B 9/045 |
| Packaging articles by applying removable, e.g. strippable coatings, for example by spraying or dipping or by use of curtain coaters | B65B 33/00 |

B65B 11/54

Wrapping by causing the wrapper to embrace one end and all sides of the contents, and closing the wrapper onto the opposite end by forming regular or irregular pleats

References**Informative references**

Attention is drawn to the following places, which may be of interest for search:

| | |
|--|----------------------------|
| Flexible brushes or diaphragms to bend wrapper around contents | B65B 49/06 |
| Twisting the end of the wrapper | B65B 51/00 |

B65B 11/56

Rolling articles with wrappers along a supporting surface

References**Application-oriented references**

Examples of places where the subject matter of this place is covered when specially adapted, used for a particular purpose, or incorporated in a larger system:

| | |
|-------------|----------------------------|
| For bottles | B65B 21/26 |
|-------------|----------------------------|

B65B 13/00

Bundling articles

References

Application-oriented references

Examples of places where the subject matter of this place is covered when specially adapted, used for a particular purpose, or incorporated in a larger system:

| | |
|---|---|
| Bundling particular articles presenting special problems using string, wire, or narrow tape or band | B65B 27/00 |
| Specially adapted for harvesting | A01D 37/00 , A01D 39/00 , A01D 59/00 , A01F 1/00 |

Informative references

Attention is drawn to the following places, which may be of interest for search:

| | |
|------------------------------------|----------------------------|
| Straining wire in general | B21F 9/00 |
| Connecting wire to wire in general | B21F 15/00 |
| Securing cargo in vehicles | B60P 7/00 |

Special rules of classification

Bundling special articles are additionally classified in the relevant subgroups of [B65B 27/00](#)

B65B 13/02

Applying and securing binding material around articles or groups of articles, e.g. using strings, wires, strips, bands or tapes

References

Application-oriented references

Examples of places where the subject matter of this place is covered when specially adapted, used for a particular purpose, or incorporated in a larger system:

| | |
|--|--|
| Tying devices in bailing presses | A01F 15/04 , B30B 9/30 |
| Applying reinforcing means to non-metal sleepers | E01B 31/28 |

B65B 13/025

{Hand-held tools}

References

Application-oriented references

Examples of places where the subject matter of this place is covered when specially adapted, used for a particular purpose, or incorporated in a larger system:

| | |
|--|----------------------------|
| Hand tools for applying strapping material on building sites | E04G 21/12 |
|--|----------------------------|

Special rules of classification

Elongated bars for manually guiding a strap underneath a pallet are additionally to be classified in [B65B 13/08](#)

B65B 13/027

{for applying straps having preformed connecting means, e.g. cable ties}

Definition statement

This place covers:

E.g. a buckle.

References**Informative references**

Attention is drawn to the following places, which may be of interest for search:

| | |
|---|-----------------------------|
| Securing ends of binding material by applying separate securing members | B65B 13/345 |
| Applying hose clamps | B25B 25/005 |

B65B 13/08

Single guide or carrier for the free end of material movable part-away around articles from one side only

Special rules of classification

Guides in the form of elongated bars for manual guidance under a pallet are additionally classified in [B65B 13/025](#)

B65B 13/181

{applying edge protecting members during bundling}

Definition statement

This place covers:

bundling or wrapping

B65B 13/182

{Affixing labels during bundling}

References**Informative references**

Attention is drawn to the following places, which may be of interest for search:

| | |
|-------------------------------|----------------------|
| Labelling machines in general | B65C |
|-------------------------------|----------------------|

B65B 13/22**Means for controlling tension of binding means****References*****Informative references****Attention is drawn to the following places, which may be of interest for search:*

| | |
|-------------------------------------|----------------------------|
| Tensioning load in cars and lorries | B60P 7/083 |
|-------------------------------------|----------------------------|

B65B 13/285**{Hand tools}****References*****Application-oriented references****Examples of places where the subject matter of this place is covered when specially adapted, used for a particular purpose, or incorporated in a larger system:*

| | |
|---|----------------------------|
| Hand held tools for twisting ends of strapping material on building sites | E04G 21/12 |
|---|----------------------------|

B65B 13/322**{Friction welding}****References*****Informative references****Attention is drawn to the following places, which may be of interest for search:*

| | |
|-----------------------------------|----------------------------|
| Details of friction sealing tools | B29C 65/06 |
|-----------------------------------|----------------------------|

B65B 13/325**{Ultrasonic welding}****References*****Informative references****Attention is drawn to the following places, which may be of interest for search:*

| | |
|-------------------------------------|----------------------------|
| Details of ultrasonic sealing tools | B29C 65/08 |
|-------------------------------------|----------------------------|

B65B 13/327**{Hand tools}****References*****Informative references****Attention is drawn to the following places, which may be of interest for search:*

| | |
|---------------------------------|-----------------------------|
| Joining tools of hand held type | B29C 66/861 |
|---------------------------------|-----------------------------|

B65B 13/345**{Hand tools}****References*****Informative references****Attention is drawn to the following places, which may be of interest for search:*

| | |
|--|-----------------------------|
| Securing straps having integral preformed connecting means | B65B 13/027 |
| Hand tools for crimping metal | B25B 27/146 |

B65B 15/00**Attaching articles to cards, sheets, strings, webs, or other carriers****References*****Informative references****Attention is drawn to the following places, which may be of interest for search:*

| | |
|---|----------------------------|
| Adding cards or other inserts to package contents | B65B 61/20 |
|---|----------------------------|

B65B 15/02**Attaching small articles, e.g. buttons, to cards****References*****Informative references****Attention is drawn to the following places, which may be of interest for search:*

| | |
|--|---------------------------|
| Cards for buttons, collar-studs, or sleeve-links | A44B 7/00 |
|--|---------------------------|

B65B 15/04

Attaching a series of articles, e.g. small electrical components, to a continuous web {(ammunition filling [F42B](#))}

References

Limiting references

This place does not cover:

| | |
|--|----------------------------|
| Packaging ammunition using cartridge belts | F42B 39/08 |
|--|----------------------------|

Application-oriented references

Examples of places where the subject matter of this place is covered when specially adapted, used for a particular purpose, or incorporated in a larger system:

| | |
|---|-----------------------------|
| Placing of electric components on belts holding the terminals | H05K 13/003 |
|---|-----------------------------|

B65B 17/00

Other machines, apparatus, or methods for packaging articles or materials

Definition statement

This place covers:

This main group covers all packaging machines, apparatus or methods that are not covered by any other of the [B65B](#) main groups.

B65B 17/02

Joining articles, e.g. cans, directly to each other for convenience of storage, transport, or handling

References

Limiting references

This place does not cover:

| | |
|---------------|----------------------------|
| Bundling cans | B65B 27/04 |
|---------------|----------------------------|

B65B 19/00

Packaging rod-shaped or tubular articles susceptible to damage by abrasion or pressure, e.g. cigarettes, cigars, macaroni, spaghetti, drinking straws or welding electrodes

Definition statement

This place covers:

Packaging finished cigarettes, cigars and other rod-shaped articles

References

Informative references

Attention is drawn to the following places, which may be of interest for search:

| | |
|--|---|
| Packaging tobacco in bags (snus) | B65B 29/00 |
| Manufacture or preparation of tobacco for smoking, the making of the cigarette and the making of chewing tobacco (snuff) | A24B |
| Final treatment of cigars or cigarettes after manufacture | A24C 1/38 , A24C 5/60 |

B65B 19/02

Packaging cigarettes

References

Informative references

Attention is drawn to the following places, which may be of interest for search:

| | |
|---|-----------------------------|
| Auxiliary devices for drying glued or sealed packages | B65B 61/002 |
|---|-----------------------------|

B65B 19/105

{using rotary drums for withdrawal of successive layers from a hopper}

References

Informative references

Attention is drawn to the following places, which may be of interest for search:

| | |
|---|----------------------------|
| Withdrawal of successive layers from a hopper using a pocketed conveyor | B65B 19/10 |
|---|----------------------------|

B65B 19/20

into boxes with hinged lids

Definition statement

This place covers:

Everything about "collars"

References

Informative references

Attention is drawn to the following places, which may be of interest for search:

| | |
|------------------------------------|------------------------------|
| Cigarette boxes having hinged lids | B65D 85/1045 |
|------------------------------------|------------------------------|

B65B 19/228**{Preparing and feeding blanks}****References*****Informative references****Attention is drawn to the following places, which may be of interest for search:*

| | |
|---------------------------|----------------------------|
| Feeding blanks in general | B65B 41/00 |
|---------------------------|----------------------------|

B65B 19/28**Control devices for cigarette or cigar packaging machines****References*****Informative references****Attention is drawn to the following places, which may be of interest for search:*

| | |
|--|----------------------------|
| Control devices of general application in packaging machines | B65B 57/00 |
|--|----------------------------|

B65B 19/30**responsive to presence of faulty articles, e.g. incorrectly filled cigarettes****References*****Informative references****Attention is drawn to the following places, which may be of interest for search:*

| | |
|---|-----------------------------|
| Examining cigarettes not in combination with packaging | A24C 5/34 |
| Optical inspection of external surface of cylindrical bodies for the presence of flaws or contamination | G01N 21/952 |

B65B 19/34**Packaging other rod-shaped articles, e.g. sausages, macaroni, spaghetti, drinking straws, welding electrodes****References*****Informative references****Attention is drawn to the following places, which may be of interest for search:*

| | |
|------------------------------|----------------------------|
| Bundling rod-shaped articles | B65B 27/10 |
|------------------------------|----------------------------|

B65B 21/00

Packaging or unpacking of bottles (bundling bottles [B65B 27/04](#))

References**Limiting references**

This place does not cover:

| | |
|------------------|----------------------------|
| Bundling bottles | B65B 27/04 |
|------------------|----------------------------|

Informative references

Attention is drawn to the following places, which may be of interest for search:

| | |
|--|----------------------------|
| Joining bottles directly to each other e.g. by glueing | B65B 17/02 |
|--|----------------------------|

Special rules of classification

Documents classified in this main group should additionally be classified in the relevant subgroups of:

- [B65B 5/00](#)
- [B65B 9/00](#)
- [B65B 11/00](#)

B65B 21/02

in or from preformed containers, e.g. crates

References**Informative references**

Attention is drawn to the following places, which may be of interest for search:

| | |
|---|-----------------------------|
| Introducing bottles into cases via centering devices or grids | B65B 39/006 |
|---|-----------------------------|

B65B 21/04

Arranging, assembling, feeding, or orientating the bottles prior to introduction into, or after removal from, containers {([B65B 21/025](#) takes precedence)}

References**Informative references**

Attention is drawn to the following places, which may be of interest for search:

| | |
|---|----------------------------|
| Arranging, assembling, feeding or orientating of articles to be packaged in general | B65B 35/00 |
| Arranging, feeding, transferring or orientating of articles in association with conveyors are classified in the relevant subgroups of | B65G 47/00 |

B65B 21/08

Introducing or removing single bottles, or groups of bottles, e.g. for progressive filling or emptying of containers

References**Limiting references**

This place does not cover:

| | |
|--|----------------------------|
| Picking up and depositing groups of bottles for filling the container in a single step | B65B 21/14 |
|--|----------------------------|

B65B 21/12

using grippers engaging bottles, e.g. bottle necks

References**Informative references**

Attention is drawn to the following places, which may be of interest for search:

| | |
|--|---|
| Arranging and feeding bottles in groups by grippers | B65B 35/16 , B65B 35/36 |
| Grippers in general | B25J |
| Devices for picking-up and depositing articles in combination with conveyors | B65G 47/90 |

B65B 21/14

Introducing or removing groups of bottles, for filling or emptying containers in one operation

References**Limiting references**

This place does not cover:

| | |
|---|----------------------------|
| Picking up and depositing single bottles and progressively filling/emptying a container with several groups of bottles is classified in | B65B 21/08 |
|---|----------------------------|

B65B 21/18

using grippers engaging bottles, e.g. bottle necks

References**Informative references**

Attention is drawn to the following places, which may be of interest for search:

| | |
|---|---|
| Arranging and feeding bottles in groups by grippers | B65B 35/16 , B65B 35/36 |
| Grippers in general | B25J |
| Devices for picking-up and depositing articles in general | B65G 47/90 |

B65B 21/186**{Inflatable grippers}****Definition statement***This place covers:*

Inflatable grippers for engaging bottle necks in combination with packaging

References**Informative references***Attention is drawn to the following places, which may be of interest for search:*

| | |
|--|-----------------------------|
| Inflatable grippers for picking up and depositing articles in combination with conveying | B65G 47/908 |
|--|-----------------------------|

B65B 21/24**Enclosing bottles in wrappers****Definition statement***This place covers:*

Wrapping bottles with cardboard which has holes for the bottle necks.

Special rules of classificationDocuments classified in [B65B 21/24](#) and its subgroups are also classified in the relevant subgroups of [B65B 9/00](#) or [B65B 11/00](#)**B65B 21/242****{in collapsed carton sleeves}****References****Informative references***Attention is drawn to the following places, which may be of interest for search:*

| | |
|--|----------------------------|
| Machines incorporating means for making the containers from preform blanks | B65B 5/024 |
| Feeding carton blanks | B65B 43/14 |
| Erecting or setting up carton blanks | B65B 43/26 |

B65B 21/245**{in flexible wrappers, e.g. foils ([B65B 21/26](#) takes precedence)}****Definition statement***This place covers:*

Enclosing one or several bottles into a wrapper.

References

Limiting references

This place does not cover:

| | |
|--|----------------------------|
| Applying wrappers to individual bottles by operations involving rotation or rolling of the bottles | B65B 21/26 |
|--|----------------------------|

Informative references

Attention is drawn to the following places, which may be of interest for search:

| | |
|--|----------------------------|
| Enclosing bottles in narrow bands, i.e. bundling | B65B 27/04 |
| Labelling by placing tubular labels around the container | B65C 3/065 |

Special rules of classification

The application of sleeves to bottles is considered to be labelling [B65C 3/065](#).

B65B 21/26

Applying wrappers to individual bottles by operations involving rotation or rolling of the bottles

References

Informative references

Attention is drawn to the following places, which may be of interest for search:

| | |
|------------------------|-----------------------------|
| To articles in general | B65B 11/56 |
| Straw-made wrappers | B65B 21/247 |

B65B 23/00

Packaging fragile or shock-sensitive articles other than bottles; Unpacking eggs (embedding articles in shock-absorbing media [B65B 55/20](#))

References

Limiting references

This place does not cover:

| | |
|---|----------------------------|
| Embedding articles in shock-absorbing media | B65B 55/20 |
|---|----------------------------|

Informative references

Attention is drawn to the following places, which may be of interest for search:

| | |
|--|-----------------------------|
| Fixing semiconductor or solid state devices or parts thereof (e.g. wafers) on specially adapted carriers | H01L 21/673 |
| Loading electric components into containers during manufacture of printed circuits | H05K 13/021 |

Special rules of classification

Documents classified in this main group should additionally be classified in the relevant subgroups of:

- [B65B 5/00](#)
- [B65B 9/00](#) and/or [B65B 11/00](#)

B65B 23/02

Packaging or unpacking eggs

References

Informative references

Attention is drawn to the following places, which may be of interest for search:

| | |
|--------------------------------------|----------------------------|
| Testing, sorting or cleaning of eggs | A01K 43/00 |
| Preservation of eggs | A23B 5/00 |

B65B 23/06

Arranging, feeding, or orientating the eggs to be packed; Removing eggs from trays or cartons

References

Informative references

Attention is drawn to the following places, which may be of interest for search:

| | |
|--|-----------------------------|
| Arranging, feeding or orientating of articles to be packaged in general | B65B 35/00. |
| Arranging, feeding, transferring or orientating of articles in association with conveyors in general | B65G 47/00 |

B65B 23/08

using grippers

References

Informative references

Attention is drawn to the following places, which may be of interest for search:

| | |
|---|-----------------------------|
| Testing, sorting or cleaning eggs | A01K 43/00 |
| Transferring eggs to an inoculation machine | A01K 45/007 |
| Egg grippers for cooking purposes | A47J 29/06 |

B65B 23/12**Arranging, feeding or orientating the biscuits to be packaged****References****Informative references**

Attention is drawn to the following places, which may be of interest for search:

| | |
|---|----------------------------|
| Arranging, feeding or orientating of articles to be packaged in general | B65B 35/00 |
| Arranging and feeding biscuits in connection with baking | A21C 15/00 |

B65B 23/20**Packaging plate glass, tiles, or shingles****References****Informative references**

Attention is drawn to the following places, which may be of interest for search:

| | |
|--|------------------------------|
| Bundling of bricks or other building blocks | B65B 27/02 . |
| Measures for preventing damage to stacked glass sheets | B65G 49/068 |

B65B 25/00**Packaging other articles presenting special problems (bundling [B65B 27/00](#))****References****Limiting references**

This place does not cover:

| | |
|----------|----------------------------|
| Bundling | B65B 27/00 |
|----------|----------------------------|

Informative references

Attention is drawn to the following places, which may be of interest for search:

| | |
|-----------------------------------|----------------------------|
| Packages for surgical instruments | A61B 50/30 |
|-----------------------------------|----------------------------|

Special rules of classification

Documents classified in this main group should additionally be classified in the relevant subgroups of:

[B65B 5/00](#)

[B65B 9/00](#) and/or - [B65B 11/00](#)

B65B 25/001

{of foodstuffs, combined with their conservation ([B65B 25/041](#), [B65B 25/062](#), [B65B 25/067](#) take precedence)}

References**Informative references**

Attention is drawn to the following places, which may be of interest for search:

| | |
|--|---|
| Adding desiccant to the package, see also | B65B 25/041 , B65B 25/067 , B65B 55/19 , B65B 61/20 |
| Packaging under special atmospheric conditions | B65B 31/00 |
| Preserving, protecting or purifying packages or package contents in association with packaging | B65B 55/00 |
| General methods for preserving meat, sausages, fish or fish products | A23B 4/00 |
| Preservation of fruits and vegetables | A23B 7/00 |
| Preservation of edible seeds | A23B 9/00 |
| Preservation of foods or foodstuffs, in general | A23L |
| Packages specially adapted herefor | B65D 81/24 |

B65B 25/002

{packaging of information carriers, e.g. records, CD, DVD}

Definition statement

This place covers:

Packaging of all kind of information carriers (CD's,DVD's,videos,etc.)

References**Informative references**

Attention is drawn to the following places, which may be of interest for search:

| | |
|----------|--------------------------------|
| CD cases | G11B 33/0405 . |
|----------|--------------------------------|

B65B 25/005

{packaging of confectionery}

References**Informative references**

Attention is drawn to the following places, which may be of interest for search:

| | |
|---|-----------------------------|
| Apparatus for measuring, weighing or wrapping of chocolate or candies | A23G 7/0012 |
|---|-----------------------------|

B65B 25/007**{packaging of ice-cream}****References****Informative references***Attention is drawn to the following places, which may be of interest for search:*

| | |
|-----------------------------------|----------------------------|
| Filling ice-cream into containers | A23G 9/283 |
|-----------------------------------|----------------------------|

B65B 25/008**{packaging of contact lenses}****References****Informative references***Attention is drawn to the following places, which may be of interest for search:*

| | |
|--|-------------------------------|
| Immersing lenses in protective liquids | B65B 55/22 |
| Contact lens cases | A45C 11/005 |
| Moulding of contact lenses | B29D 11/00038 |
| Making of optical lenses | G02B |

B65B 25/02**Packaging agricultural or horticultural products****References****Limiting references***This place does not cover:*

| | |
|-------------------|----------------------------|
| Packaging tobacco | B65B 29/00 |
|-------------------|----------------------------|

B65B 25/04**Packaging fruit or vegetables****Definition statement***This place covers:*

Packaging fruit and vegetables in trays.

References**Application-oriented references***Examples of places where the subject matter of this place is covered when specially adapted, used for a particular purpose, or incorporated in a larger system:*

| | |
|--|----------------------------|
| Bag or sack filling devices associated with digging harvesters | A01D 33/10 |
|--|----------------------------|

Informative references

Attention is drawn to the following places, which may be of interest for search:

| | |
|----------------------------------|----------------------------|
| Applying stretch film over trays | B65B 11/54 |
|----------------------------------|----------------------------|

B65B 25/041

{combined with their conservation}

References**Informative references**

Attention is drawn to the following places, which may be of interest for search:

| | |
|---|---|
| Adding desiccant to the package, see also | B65B 25/001 , B65B 25/067 , B65B 55/19 , B65B 61/20 |
|---|---|

B65B 25/046

{in crates or boxes ([B65B 25/045](#) takes precedence)}

References**Limiting references**

This place does not cover:

| | |
|---|----------------------------|
| Packaging fruit and vegetables in trays | B65B 25/04 |
|---|----------------------------|

Informative references

Attention is drawn to the following places, which may be of interest for search:

| | |
|---|---|
| Adding desiccant to the package, see also | B65B 25/001 , B65B 25/067 , B65B 55/19 , B65B 61/20 |
|---|---|

B65B 25/06

Packaging slices or specially-shaped pieces of meat, cheese, or other plastic or tacky products

References**Limiting references**

This place does not cover:

| | |
|---|----------------------------|
| Extrusion combined with cutting and packaging (e.g. butter) | A01J 21/02 |
|---|----------------------------|

Informative references

Attention is drawn to the following places, which may be of interest for search:

| | |
|--|----------------------|
| General methods for preserving meat, sausages, fish or fish products | A23B |
|--|----------------------|

| | |
|---|---------------------------|
| Preservation of foods or foodstuffs, in general | A23L |
| Conveying or stacking cut products | B26D 7/32 |

B65B 25/062

{combined with its conservation}

References

Informative references

Attention is drawn to the following places, which may be of interest for search:

| | |
|--|----------------------------|
| Packaging under special atmospheric conditions | B65B 31/00 |
| Preserving, protecting or purifying packages or package contents in association with packaging | B65B 55/00 |

B65B 25/065

{of meat}

References

Limiting references

This place does not cover:

| | |
|----------------|----------------------------|
| Sausage making | A22C 11/00 |
|----------------|----------------------------|

B65B 25/067

{combined with its conservation}

References

Informative references

Attention is drawn to the following places, which may be of interest for search:

| | |
|--|----------------------------|
| Packaging under special atmospheric conditions | B65B 31/00 |
| Preserving, protecting or purifying packages or package contents in association with packaging | B65B 55/00 |

B65B 25/08

between layers or strips of sheet or web material, e.g. in webs folded to zig-zag form

References

Informative references

Attention is drawn to the following places, which may be of interest for search:

| | |
|--|----------------------------|
| Slicing machines with inter-leavers for stacked slices | B26D 7/325 |
|--|----------------------------|

B65B 25/14

Packaging paper or like sheets, envelopes, or newspapers, in flat, folded, or rolled form

References**Limiting references**

This place does not cover:

| | |
|--|---------------------------|
| Inserting (packaging) documents into envelopes | B43M 3/00 |
|--|---------------------------|

Informative references

Attention is drawn to the following places, which may be of interest for search:

| | |
|-------------------------------|----------------------------|
| Bundling paper or like sheets | B65B 27/08 |
|-------------------------------|----------------------------|

B65B 25/145

{packaging folded articles}

Definition statement

This place covers:

Examples of folded articles are: towels, napkins, diapers, absorbent articles in general

References**Informative references**

Attention is drawn to the following places, which may be of interest for search:

| | |
|------------------------------|----------------------------|
| Devices for folding articles | B65B 63/04 |
|------------------------------|----------------------------|

B65B 25/146

{packaging rolled-up articles}

Definition statement

This place covers:

E.g. toilet or kitchen rolls.

B65B 25/148

{Jumbo paper rolls}

Definition statement

This place covers:

E.g. applying covers at the ends of the rolls.

References

Limiting references

This place does not cover:

| | |
|---------------------------------|----------------------------|
| Applying tape on the paper roll | B65H 19/29 |
|---------------------------------|----------------------------|

Informative references

Attention is drawn to the following places, which may be of interest for search:

| | |
|---|----------------------------|
| Means for folding down the protruding parts of the wrapper onto the end faces of the roll | B65B 51/00 |
|---|----------------------------|

B65B 25/18

Wrapping sliced bread

Definition statement

This place covers:

Packaging bread in general, e.g. by wrapping.

References

Informative references

Attention is drawn to the following places, which may be of interest for search:

| | |
|--|---|
| Cutting or slicing machines or devices specially adapted for baked articles other than bread | A21C 15/04 |
| For bread | B26B , B26D |

B65B 25/20

Packaging garments, e.g. socks, stockings, shirts

References

Limiting references

This place does not cover:

| | |
|--|-----------------------------|
| Packaging garments in combination with folding | B65B 63/045 |
|--|-----------------------------|

Informative references

Attention is drawn to the following places, which may be of interest for search:

| | |
|---------------------------------------|----------------------------|
| Folding of garments without packaging | D06F 89/00 |
|---------------------------------------|----------------------------|

B65B 25/22

Packaging articles of food, e.g. fish fillets, intended to be cooked in the package

Definition statement

This place covers:

Edible articles

References**Limiting references**

This place does not cover:

| | |
|---|----------------------------|
| Packaging edible materials (i.e. powder/liquid) which are to be cooked/infused in the package | B65B 29/08 |
|---|----------------------------|

B65B 25/24

Packaging annular articles, e.g. tyres

References**Informative references**

Attention is drawn to the following places, which may be of interest for search:

| | |
|--------------------------|----------------------------|
| Bundling annular objects | B65B 27/06 |
|--------------------------|----------------------------|

Synonyms and Keywords

In patent documents, the following words/expressions are often used as synonyms:

- "tyres" and "tires"

B65B 27/00

Bundling particular articles presenting special problems using string, wire, or narrow tape or band; Baling fibrous material, e.g. peat, not otherwise provided for

References**Informative references**

Attention is drawn to the following places, which may be of interest for search:

| | |
|------------------------------|----------------------------|
| Bundling articles in general | B65B 13/00 |
|------------------------------|----------------------------|

Special rules of classification

Documents classified in this main group should additionally be classified in the relevant subgroups of [B65B 13/00](#)

B65B 27/02**Bundling bricks or other building blocks****References*****Informative references***

Attention is drawn to the following places, which may be of interest for search:

| | |
|--|----------------------------|
| Packaging plate glass, tiles or shingles | B65B 23/20 |
|--|----------------------------|

B65B 27/04**Bundling groups of cans or bottles****References*****Limiting references***

This place does not cover:

| | |
|-------------------------------------|-----------------------------|
| Joining cans directly to each other | B65B 17/02 |
| Joining cans by top carrier element | B65B 17/025 |

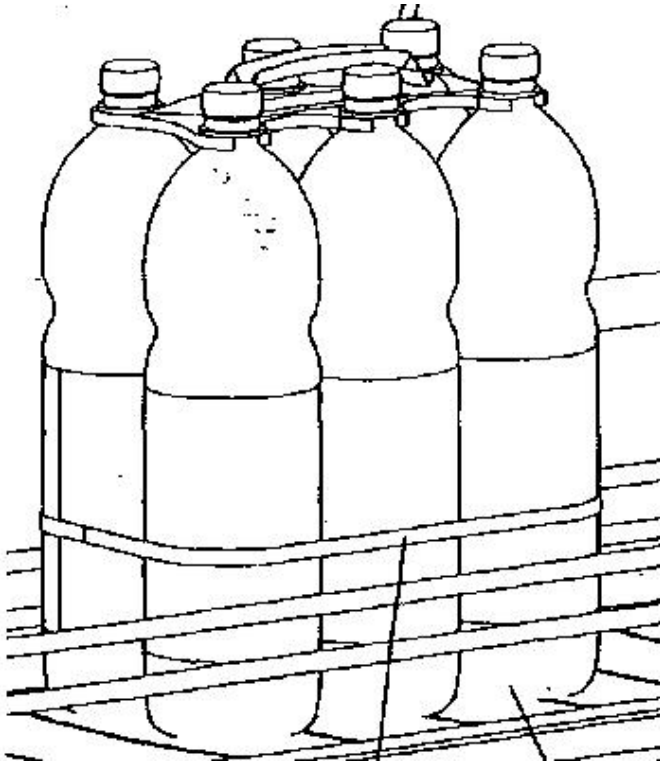
Informative references

Attention is drawn to the following places, which may be of interest for search:

| | |
|------------------|----------------------------|
| Wrapping bottles | B65B 21/24 |
|------------------|----------------------------|

Special rules of classification

In cases where the cans or bottles are bundled together by a "top carrier element" in addition to a strap, classification [B65B 17/025](#) is given in addition to [B65B 27/04](#).



EP1886921

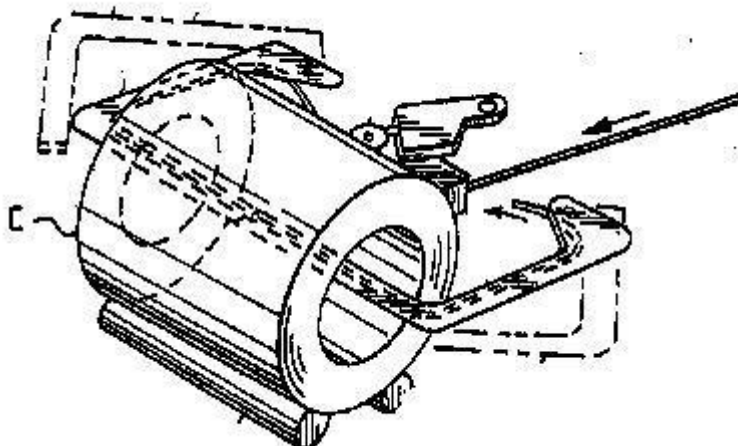
B65B 27/06

Bundling coils of wire or like annular objects

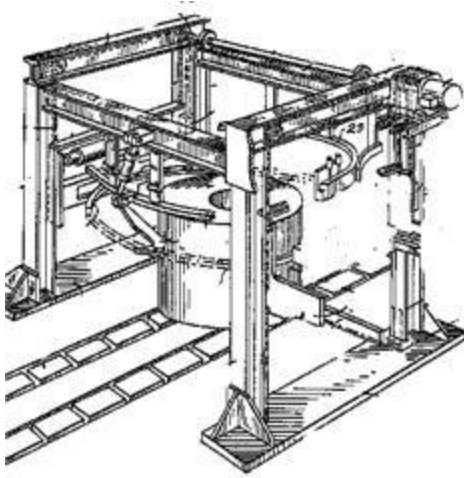
Definition statement

This place covers:

e.g. bundling of rolls of sheet metal



US5540142 Bundling through coil



US3662628 Bundling around coil

References

Informative references

Attention is drawn to the following places, which may be of interest for search:

| | |
|----------------------------|----------------------------|
| Packaging annular articles | B65B 25/24 |
|----------------------------|----------------------------|

B65B 27/08

Bundling paper sheets, envelopes, bags, newspapers, or other thin flat articles

Definition statement

This place covers:

Bundling of banknotes

References

Informative references

Attention is drawn to the following places, which may be of interest for search:

| | |
|----------------------------------|----------------------------|
| Packaging paper or like articles | B65B 25/14 |
|----------------------------------|----------------------------|

B65B 27/10

Bundling rods, sticks, or like elongated objects

References

Informative references

Attention is drawn to the following places, which may be of interest for search:

| | |
|--|----------------------------|
| Packaging rods, sticks or like elongated objects | B65B 19/34 |
|--|----------------------------|

B65B 27/12

Baling or bundling compressible fibrous material, e.g. peat

References

Application-oriented references

Examples of places where the subject matter of this place is covered when specially adapted, used for a particular purpose, or incorporated in a larger system:

| | |
|---|----------------------------|
| Baling presses for straw, hay or the like | A01F 15/00 |
|---|----------------------------|

Informative references

Attention is drawn to the following places, which may be of interest for search:

| | |
|---------------------------|---------------------------|
| Baling presses in general | B30B 9/30 |
|---------------------------|---------------------------|

Special rules of classification

Baling presses with integral bundling apparatus are classified both here and in [B30B 9/30](#).

B65B 29/00

Packaging of materials presenting special problems

Definition statement

This place covers:

Packaging tobacco in bags (snus)

References

Informative references

Attention is drawn to the following places, which may be of interest for search:

| | |
|--|----------------------------|
| Packaging finished cigarettes, cigars and other rod-shaped articles | B65B 19/00 |
| Manufacture or preparation of tobacco for smoking, the making of the cigarette and the making of chewing tobacco (snuff) | A24B |

Special rules of classification

Documents classified in this main group should additionally be classified in the relevant subgroups of:

[B65B 3/00](#)

[B65B 9/00](#) and/or - [B65B 11/00](#)

Glossary of terms

In this place, the following terms or expressions are used with the meaning indicated:

| | |
|------|-------|
| Snus | snuff |
|------|-------|

B65B 29/02

Packaging of substances, e.g. tea, which are intended to be infused in the package

Definition statement

This place covers:

Procedures or methods for packaging of tea, coffee, herbs, etc. intended to be infused in the package.

References

Informative references

Attention is drawn to the following places, which may be of interest for search:

| | |
|---|-----------------------------|
| Coffee making machines | A47J 31/00 |
| Disposable containers that are infused, such as tea bags or coffee cartridges like Nespresso™ | B65D 85/804 |

Glossary of terms

In this place, the following terms or expressions are used with the meaning indicated:

| | |
|------------|--|
| Capsule | a rigid package. |
| Filter bag | a non-rigid package having loose contents. |
| Pod | a non-rigid package having compressed contents and possibly rigid inserts. |

B65B 29/08

Packaging of edible materials intended to be cooked in the package (infusible substances [B65B 29/02](#))

Definition statement

This place covers:

Edible materials, i.e. in powder or liquid form.

References

Limiting references

This place does not cover:

| | |
|--|----------------------------|
| Packaging edible articles that are to be cooked in the package | B65B 25/22 |
|--|----------------------------|

B65B 29/10

Packaging two or more different substances isolated from one another in the package but capable of being mixed without opening the package, e.g. forming packages containing a resin and hardener isolated by a frangible partition

References

Informative references

Attention is drawn to the following places, which may be of interest for search:

| | |
|---|--|
| Packaging two different substances not isolated from each-other | B65B 3/326 , B65B 2220/14 |
| More component mortars | C04B 40/065 |
| Grouting cartridges | E21D 20/023 , E21D 20/026 |

B65B 31/00

Packaging articles or materials under special atmospheric or gaseous conditions; Adding propellants to aerosol containers

Definition statement

This place covers:

E.g. the deaeration of packages with mechanical means (e.g. compressing package before sealing).

References

Informative references

Attention is drawn to the following places, which may be of interest for search:

| | |
|---|-----------------------------|
| Gas treatment of milk products, e.g. milk powder | A23C 3/005 |
| Milk preparations containing gases | A23C 9/1524 |
| Auxiliary treatments during loading or unloading of large container and the like; Loading or unloading of large containers in a fluid medium other than air | B65G 69/20 |

B65B 31/003

{Adding propellants in fluid form to aerosol containers (in solid form [B65B 31/10](#))}

Definition statement

This place covers:

Everything concerning the filling and refilling of aerosols.

[B65B 31/003](#) includes the filling of any liquid to an aerosol container the liquid does not specifically have to be the propellant because the propellant is implicitly added at one stage or another to the aerosol.

References

Informative references

Attention is drawn to the following places, which may be of interest for search:

| | |
|---------------------------|----------------------------|
| Aerosol containers per se | B65D 83/14 |
|---------------------------|----------------------------|

Special rules of classification

Pressurisation by nozzle cooperating with a check valve is additionally classified in [B65B 31/047](#).

Synonyms and Keywords

In patent documents, the following words/expressions are often used as synonyms:

- "aerosol container" and "spray can"

B65B 31/006

{Adding fluids for preventing deformation of filled and closed containers or wrappers}

Definition statement

This place covers:

Fluids including cryogenic fluids.

References

Informative references

Attention is drawn to the following places, which may be of interest for search:

| | |
|---|------------------------------|
| Package under superatmospheric pressure | B65D 81/2046 |
|---|------------------------------|

B65B 31/02

Filling, closing, or filling and closing, containers {or wrappers} in chambers maintained under vacuum or superatmospheric pressure or containing a special atmosphere, e.g. of inert gas

Definition statement

This place covers:

Evacuating, pressurising or gasifying a container or wrapper completely enclosed in a chamber.

References

Informative references

Attention is drawn to the following places, which may be of interest for search:

| | |
|-----------------------|-----------------------------|
| Skin packaging | B65B 11/52 |
| Laminar flow cabinets | B08B 15/023 |
| Glove boxes | B25J 21/02 |

B65B 31/028

{closed by a lid sealed to the upper rim of the container, e.g. tray-like container}

References**Informative references**

Attention is drawn to the following places, which may be of interest for search:

| | |
|----------------|----------------------------|
| Skin packaging | B65B 11/52 |
|----------------|----------------------------|

Special rules of classification

If said lid is fed as a web to securing means, it is additionally to be classified in [B65B 7/162](#).

B65B 31/04

Evacuating, pressurising or gasifying filled containers or wrappers by means of nozzles through which air or other gas, e.g. an inert gas, is withdrawn or supplied

Definition statement

This place covers:

The element "nozzle" is important for this group; otherwise it is classified in [B65B 31/00](#)

References**Informative references**

Attention is drawn to the following places, which may be of interest for search:

| | |
|---|----------------------------|
| Evacuating, pressurising or gasifying a container or wrapper completely enclosed in a chamber | B65B 31/02 |
| Nozzles for introducing articles or materials into containers | B65B 39/00 |

B65B 31/045

{of Vertical Form-Fill-Seal [VFFS] machines}

Special rules of classification

Additional aspects of vertical form fill seal (VFFS) machines are classified in the relevant subgroups of [B65B 9/20](#)

B65B 31/046

{the nozzles co-operating, or being combined, with a device for opening or closing the container or wrapper ([B65B 31/06](#) takes precedence)}

Definition statement

This place covers:

Bag evacuating and sealing apparatus devices whereby only a part of the bag is enclosed in the apparatus.

B65B 31/047

{the nozzles co-operating with a check valve in the opening of the container or wrapper}

Definition statement

This place covers:

E.g. nozzles co-operating with the valve of an aerosol.

References**Informative references**

Attention is drawn to the following places, which may be of interest for search:

| | |
|-------|----------------------|
| Pumps | F04B |
|-------|----------------------|

B65B 31/06

the nozzle being arranged for insertion into, and withdrawal from, the mouth of a filled container and operating in conjunction with means for sealing the container mouth

Special rules of classification

The details of sealing means are additionally classified in [B65B 51/00](#).

B65B 31/10

Adding propellants in solid form to aerosol containers

References**Informative references**

Attention is drawn to the following places, which may be of interest for search:

| | |
|-----------------------------------|-----------------------------|
| Adding propellants in liquid form | B65B 31/003 |
| Aerosol containers per se | B65D 83/14 |

Synonyms and Keywords

In patent documents, the following words/expressions are often used as synonyms:

- "aerosol container" and "spray can"

B65B 33/00

Packaging articles by applying removable, e.g. strippable, coatings
([B65B 11/52](#) takes precedence)

Definition statement

This place covers:

Applying a removable coating, for example by spraying, by dipping or by use of curtain coaters in order to package an article or material. Curtain coaters are apparatuses used for coating a product

Definition statement

with a curtain of heated plastic material, i.e. with plastic material flowing down over the product in a plastic state.

References

Limiting references

This place does not cover:

| | |
|---|----------------------------|
| Enclosing by disclosing contents between two sheets, one sheet being rendered plastic | B65B 11/52 |
|---|----------------------------|

Application-oriented references

Examples of places where the subject matter of this place is covered when specially adapted, used for a particular purpose, or incorporated in a larger system:

| | |
|---|----------------------------|
| Applying removable film, e.g. a peelable masking composition, onto a surface not to be coated | B05D 1/322 |
|---|----------------------------|

Informative references

Attention is drawn to the following places, which may be of interest for search:

| | |
|---|---|
| Wrapping by feeding product to a curtain of web or sheet material, the material not being in the plastic state | B65B 9/026 , B65B 11/10 |
| Covering cheese e.g. with paraffin wax | A23C 19/16 |
| Coating of foodstuffs with edible coatings | A23P 20/10 |
| Coating of foodstuffs with non-edible coatings | A23P 20/19 |
| Applying liquids or other fluent materials to surfaces in general | B05C |
| Apparatus for coating by immersing product in coating liquid in general | B05C 3/02 |
| Curtain coaters in general | B05C 5/005 |
| Lining or sheating with plastic foil by applying a provisional sheating, for example to screens or window panes | B29C 63/0056 |
| Lining or sheating with plastic foil, e.g. phones | B29C 63/02 |
| Wrapping cores by winding | B65H 81/00 |
| Applying wax to closed wine bottles | B67B 5/05 |
| Coating compositions for coatings strippable as coherent films | C09D 5/20 |

B65B 33/02**Packaging small articles, e.g. spare parts for machines or engines****Definition statement**

This place covers:

Applying removable protective films to mobile phones or other screens.

B65B 35/00**Supplying, feeding, arranging or orientating articles to be packaged****Definition statement**

This place covers:

Supplying articles that are to be packaged

References**Application-oriented references**

Examples of places where the subject matter of this place is covered when specially adapted, used for a particular purpose, or incorporated in a larger system:

| | |
|------------|----------------------------|
| Cigarettes | B65B 19/04 |
| Bottles | B65B 21/04 |
| Eggs | B65B 23/06 |
| Biscuits | B65B 23/12 |

Informative references

Attention is drawn to the following places, which may be of interest for search:

| | |
|---|--|
| Supplying powders or liquids to be packaged | B65B 37/00 |
| Supplying, feeding containers to the filling position | B65B 43/42 |
| Adjustable conveying means | B65B 59/005 |
| If not restricted to packaging machines | B07C , B65G , B65H |

B65B 35/08**using pocketed conveyors****References****Informative references**

Attention is drawn to the following places, which may be of interest for search:

| | |
|--|------------------------------|
| Devices for arranging articles or materials during feeding (rotating platform) | B65B 43/60 |
| Separating single articles from loose masses of articles in general and not limited to packaging | B65G 47/1407 |

B65B 35/10**Feeding, e.g. conveying, single articles****References*****Informative references****Attention is drawn to the following places, which may be of interest for search:*

| | |
|-------------|----------------------------|
| Orientating | B65B 35/56 |
|-------------|----------------------------|

B65B 35/30**Arranging and feeding articles in groups****References*****Informative references****Attention is drawn to the following places, which may be of interest for search:*

| | |
|-------------|----------------------------|
| Orientating | B65B 35/56 |
|-------------|----------------------------|

B65B 35/50**Stacking one article, or group of articles, upon another before packaging****References*****Limiting references****This place does not cover:*

| | |
|---|---------------------------|
| Stacking one article or groups of articles upon another directly in the packaging container | B65B 5/10 |
|---|---------------------------|

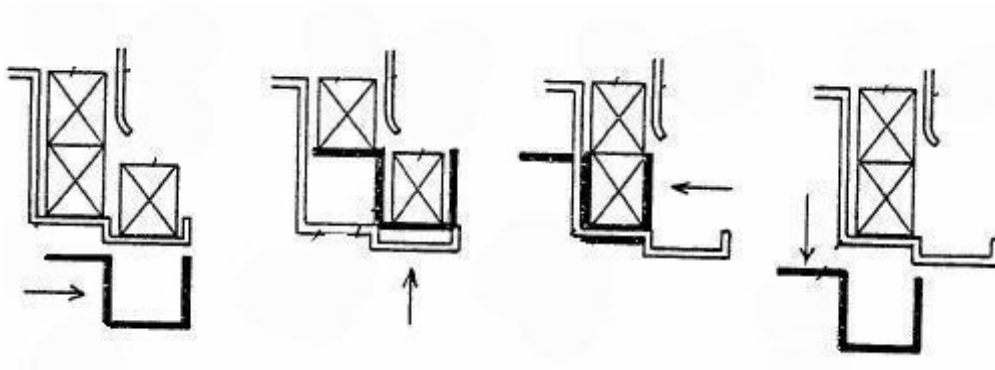
Informative references*Attention is drawn to the following places, which may be of interest for search:*

| | |
|---|----------------------------|
| Stacking, not in conjunction with subsequent wrapping | B65G 57/00 |
| Special features of the stacking apparatus | B65G 57/00 |

B65B 35/52**building-up the stack from the bottom****Definition statement**

This place covers:

Building a stack from the bottom, by adding objects to the bottom of the stack.



GB616902

References**Informative references**

Attention is drawn to the following places, which may be of interest for search:

| | |
|---|----------------------------|
| Stacking from below, not in conjunction with wrapping | B65G 57/30 |
| Special features of the stacking apparatus | B65G 57/30 |

B65B 35/54**Feeding articles along multiple paths to a single packaging position****References****Informative references**

Attention is drawn to the following places, which may be of interest for search:

| | |
|--|------------------------------|
| Multiple parallel packaging lines | B65B 65/006 |
| Plurality of alternative input or output lines for improving machine flexibility | B65B 2210/02 |
| Conveying from one conveyor to many conveyors and vice versa | B65G 47/68 |

B65B 35/56

Orientating, i.e. changing the attitude of, articles, e.g. of non-uniform cross-section

Definition statement

This place covers:

Orientation in a passive way

References**Informative references**

Attention is drawn to the following places, which may be of interest for search:

| | |
|--|----------------------------|
| Devices for arranging articles or materials during feeding (rotating platform) | B65B 43/60 |
|--|----------------------------|

B65B 35/58

Turning articles by positively-acting means, e.g. to present labelled portions in uppermost position

Definition statement

This place covers:

Orientation in an active way

References**Informative references**

Attention is drawn to the following places, which may be of interest for search:

| | |
|---|---------------------------|
| Devices for presenting articles in predetermined attitude or position at the labelling station, e.g. to receive the label | B65C 9/06 |
|---|---------------------------|

B65B 37/00

Supplying or feeding fluent-solid, plastic, or liquid material, or loose masses of small articles, to be packaged (methods of, or means for, filling individual containers with such materials or articles [B65B 1/04](#), [B65B 3/04](#))

Definition statement

This place covers:

Supplying powders or liquids that are to be packaged

References**Informative references**

Attention is drawn to the following places, which may be of interest for search:

| | |
|--------------------|----------------------------|
| Supplying articles | B65B 35/00 |
| Silos | B65D 88/68 |

| | |
|----------------|----------------------------|
| Emptying silos | B65G 65/48 |
|----------------|----------------------------|

B65B 37/10

of screw type

References

Informative references

Attention is drawn to the following places, which may be of interest for search:

| | |
|---|---------------------------|
| Methods or means for filling the material into containers or receptacles by screw type rotary feeders | B65B 1/12 |
|---|---------------------------|

B65B 37/18

by weighing {(devices or methods for controlling the quantity of material or liquid fed or filled into a container by weighing [B65B 1/32](#), [B65B 3/28](#))}

References

Limiting references

This place does not cover:

| | |
|--|---|
| Devices or methods for controlling the quantity of material or liquid fed or filled into a container by weighing | B65B 1/32 , B65B 3/28 |
|--|---|

Informative references

Attention is drawn to the following places, which may be of interest for search:

| | |
|---------------------|----------------------|
| Weighing in general | G01G |
|---------------------|----------------------|

B65B 37/20

by volume measurement

References

Informative references

Attention is drawn to the following places, which may be of interest for search:

| | |
|--|---|
| Devices or methods for controlling the quantity of material or liquid fed or filled into a container by volume measurement | B65B 1/36 , B65B 3/30 |
| Volume measurement in general | G01F |

B65B 39/00**Nozzles, funnels or guides for introducing articles or materials into containers or wrappers****References****Informative references**

Attention is drawn to the following places, which may be of interest for search:

| | |
|---|------------------------------|
| Sterilising or cleaning machinery or conduits | B65B 2210/06 |
| Funnels for coffee mills | A47J 42/50 |
| Nozzles in general | B05B |
| Fuel tank nozzles | B60K 15/03 |
| Funnels in general | B67C 11/00 |

Special rules of classification

The following features are additionally classified in the following places:

Strainer means [B65B 2039/008](#)

Multiple outlets [B65B 2039/009](#)

Cleaning arrangements [B65B 2210/08](#) .

B65B 39/001

{with flow cut-off means, e.g. valves}

References**Limiting references**

This place does not cover:

| | |
|--|---------------------------|
| Nozzles with flow cut-off means contained in bottling machines | B67C 3/28 |
|--|---------------------------|

B65B 39/007

{Guides or funnels for introducing articles into containers or wrappers}

References**Informative references**

Attention is drawn to the following places, which may be of interest for search:

| | |
|--|----------------------------|
| Filling individual containers with articles with article support means temporarily arranged in the container | B65B 5/108 |
|--|----------------------------|

B65B 41/00**Supplying or feeding container-forming sheets or wrapping material****References****Informative references**

Attention is drawn to the following places, which may be of interest for search:

| | |
|---|--|
| Making of bags | B31B |
| Supplying or feeding sheet-like material in general | B65H 1/00 - B65H 47/00 |

B65B 41/12**Feeding webs from rolls****References****Informative references**

Attention is drawn to the following places, which may be of interest for search:

| | |
|--------------------|----------------------|
| Changing the rolls | B65H |
|--------------------|----------------------|

B65B 41/18**Registering sheets, blanks, or webs****Definition statement**

This place covers:

The recognition of marks on the web and the control of the web-feed based on the mark.

References**Informative references**

Attention is drawn to the following places, which may be of interest for search:

| | |
|--|-----------------------------|
| Controlling web feed | B65B 57/04 |
| Controlling transverse register of web | B65H 23/032 |

B65B 43/00

Forming, feeding, opening or setting-up containers or receptacles in association with packaging (forming pockets in sheets, blanks or webs, by pressing the material into forming dies or moving it through folding dies [B65B 47/00](#))

Special rules of classification

The making of bags and the making and setting up boxes are additionally classified in the relevant subgroups of [B31B](#).

B65B 43/02**Forming flat bags from individual sheets or blanks****References****Limiting references***This place does not cover:*

| | |
|--|---|
| Making the bags just before filling them, e.g. on the same machine | B65B 1/02 , B65B 3/02 , B65B 5/022 |
|--|---|

Informative references*Attention is drawn to the following places, which may be of interest for search:*

| | |
|--|---|
| Forming flat bags from individual sheets or blanks independently from packaging operations see | B65B , B31B 70/00 , B31B 2150/00 |
|--|---|

B65B 43/04**Forming flat bags from webs****References****Limiting references***This place does not cover:*

| | |
|--|---|
| Making the bags just before filling them, e.g. on the same machine | B65B 1/02 , B65B 3/02 , B65B 5/022 |
|--|---|

Informative references*Attention is drawn to the following places, which may be of interest for search:*

| | |
|---|---|
| Forming flat bags from webs independently from packaging operations see | B31B , B31B 70/00 , B31B 2155/00 |
| Details of filled bags connected together | B65D 33/008 |

B65B 43/06**from more than one web****References****Informative references***Attention is drawn to the following places, which may be of interest for search:*

| | |
|--|--|
| Forming flat bags by joining superimposed webs independently from packaging operations see | B31B , B31B 70/00 , B31B 2155/002 |
|--|--|

B65B 43/08**Forming three-dimensional containers from sheet material****References****Informative references**

Attention is drawn to the following places, which may be of interest for search:

| | |
|--|---|
| Making containers independently from packaging operations see the relevant groups of | B31B and its Indexing Codes |
|--|---|

B65B 43/123**{Feeding flat bags connected to form a series or chain}****References****Informative references**

Attention is drawn to the following places, which may be of interest for search:

| | |
|-----------------|----------------------------|
| Details of bags | B65D 33/00 |
|-----------------|----------------------------|

B65B 43/126**{Feeding carton blanks in flat or collapsed state}****Definition statement**

This place covers:

Mostly stacks of carton blanks

B65B 43/14**Feeding individual bags or carton blanks from piles or magazines****References****Application-oriented references**

Examples of places where the subject matter of this place is covered when specially adapted, used for a particular purpose, or incorporated in a larger system:

| | |
|---|----------------------------|
| Shopping bag or carton-dispensing systems specifically adapted for check-out counters | A47F 9/042 |
| Shopping bag or paper bag holders for shops | A47F 13/08 |

Informative references

Attention is drawn to the following places, which may be of interest for search:

| | |
|--|---------------------------|
| Separating thin articles from piles in general | B65H 3/00 |
|--|---------------------------|

B65B 43/24**Breaking creases to facilitate setting-up cartons****Relationships with other classification places**

| | |
|------------------------|--|
| Prebreaking of creases | B31B , B31B 50/002 |
|------------------------|--|

B65B 43/26**Opening or distending bags; Opening, erecting, or setting-up boxes, cartons, or carton blanks****References****Informative references***Attention is drawn to the following places, which may be of interest for search:*

| | |
|---|--|
| Opening bags or boxes independently of packaging operations | B31B , B31B 50/76 , B31B 70/003 |
|---|--|

B65B 43/262**{opening of valve bags}****References****Informative references***Attention is drawn to the following places, which may be of interest for search:*

| | |
|-----------------------|---|
| Filling of valve bags | B65B 1/16 , B65B 3/17 |
|-----------------------|---|

B65B 43/36**applied pneumatically****Definition statement***This place covers:*

I.e. opening bags with air jets

B65B 45/00**Apparatus or devices for supporting or holding wrappers during wrapping operation****References****Informative references***Attention is drawn to the following places, which may be of interest for search:*

| | |
|----------------------------------|----------------------------|
| Filling nozzles, funnels, guides | B65B 39/00 |
|----------------------------------|----------------------------|

B65B 47/00

Apparatus or devices for forming pockets or receptacles in or from sheets, blanks, or webs, comprising essentially a die into which the material is pressed or a folding die through which the material is moved

References**Informative references**

Attention is drawn to the following places, which may be of interest for search:

| | |
|--------------------|----------------------|
| Presses in general | B30B |
|--------------------|----------------------|

B65B 49/00

Devices for folding or bending wrappers around contents

Special rules of classification

The wrapping operation is additionally classified in [B65B 11/00](#)

B65B 51/00

Devices for, or methods of, sealing or securing package folds or closures;
Devices for gathering or twisting wrappers, or necks of bags

References**Limiting references**

This place does not cover:

| | |
|--|--|
| Twisting wrappers in combination with wrapping in sheets of flexible material along predefined paths | B65B 11/14 , B65B 11/16 , B65B 11/24 , B65B 11/26 , B65B 11/34 , B65B 11/36 , B65B 11/44 , B65B 11/46 |
|--|--|

Informative references

Attention is drawn to the following places, which may be of interest for search:

| | |
|----------------------------------|---------------------------|
| Closing containers after filling | B65B 7/00 |
|----------------------------------|---------------------------|

B65B 51/02

Applying adhesives or sealing liquids

References**Informative references**

Attention is drawn to the following places, which may be of interest for search:

| | |
|---|----------------------------|
| Activating adhesives by applying heat or pressure | B65B 51/10 |
| Glues in general | B05C |
| Applying adhesives for joining preformed parts | B29C 65/52 |

B65B 51/04

Applying separate sealing or securing members, e.g. clips, (applying separate lids or covers [B65B 7/28](#))

References**Limiting references**

This place does not cover:

| | |
|---|---|
| Applying separate closure clips on sausages | A22C 11/0227 , A22C 11/125 |
|---|---|

B65B 51/043

{Applying springy clips around bag necks}

Definition statement

This place covers:

e.g. applying clips around bread bags

B65B 51/06

Applying adhesive tape

References**Informative references**

Attention is drawn to the following places, which may be of interest for search:

| | |
|--------------------------|------------------------------|
| Adhesive tape dispensers | B65H 35/0006 |
|--------------------------|------------------------------|

B65B 51/065

{to the necks of bags}

References**Informative references**

Attention is drawn to the following places, which may be of interest for search:

| | |
|---|----------------------------|
| Manually operable apparatus for closing bag necks | B65B 67/06 |
|---|----------------------------|

B65B 51/10

Applying or generating heat or pressure or combinations thereof {(welding of plastics per se [B29C 65/02](#); closing plastic tube ends in general [B29C 57/10](#))}

References**Informative references**

Attention is drawn to the following places, which may be of interest for search:

| | |
|--|----------------------------|
| Closing plastic tube ends in general | B29C 57/10 |
| Joining plastics by heating in general | B29C 65/02 |

Special rules of classification

Heat seal temperature control is additionally classified in [B65B 2051/105](#).

B65B 2051/105

{Heat seal temperature control}

References**Informative references**

Attention is drawn to the following places, which may be of interest for search:

| | |
|--|----------------------------|
| Heat-seal temperature control in general | B29C 66/91 |
|--|----------------------------|

B65B 51/14

by reciprocating or oscillating members ([B65B 51/148](#) takes precedence)

References**Informative references**

Attention is drawn to the following places, which may be of interest for search:

| | |
|---|-----------------------------|
| Joining tools reciprocating along only one axis | B29C 66/832 |
|---|-----------------------------|

B65B 51/144

{Closing paperboard containers}

Definition statement

This place covers:

The closing of the typical TETRA PAK container.

B65B 51/148**{Hand-operated members}****References*****Informative references****Attention is drawn to the following places, which may be of interest for search:*

| | |
|---------------------------------|-----------------------------|
| Joining tools of hand held type | B29C 66/861 |
|---------------------------------|-----------------------------|

B65B 51/16**by rotary members****References*****Informative references****Attention is drawn to the following places, which may be of interest for search:*

| | |
|---|-----------------------------|
| Joining tools moving with the material to be joined | B29C 66/834 |
|---|-----------------------------|

B65B 51/18**by endless bands or chains****References*****Informative references****Attention is drawn to the following places, which may be of interest for search:*

| | |
|---|-------------------------------|
| Joining tools moving with the material to be joined | B29C 66/834 |
| Joining tools of band or belt type | B29C 66/83421 |

B65B 51/20**by fluid pressure acting directly on folds or on opposed surfaces, e.g. using hot-air jets (shrinking wrappers by heating [B65B 53/02](#))****References*****Informative references****Attention is drawn to the following places, which may be of interest for search:*

| | |
|--------------------------|----------------------------|
| Details of joining tools | B29C 65/10 |
|--------------------------|----------------------------|

B65B 51/22

by friction or ultrasonic or high-frequency electrical means {, i.e. by friction or ultrasonic or induction welding}

Definition statement

This place covers:

Welding by laser for sealing or securing package closures.

References**Informative references**

Attention is drawn to the following places, which may be of interest for search:

| | |
|------------|----------------------------|
| Sonotrodes | B23K 20/00 |
|------------|----------------------------|

B65B 51/222

{by friction welding}

References**Informative references**

Attention is drawn to the following places, which may be of interest for search:

| | |
|-----------------------------------|----------------------------|
| Details of friction sealing tools | B29C 65/06 |
|-----------------------------------|----------------------------|

B65B 51/225

{by ultrasonic welding}

References**Informative references**

Attention is drawn to the following places, which may be of interest for search:

| | |
|-------------------------------------|----------------------------|
| Details of ultrasonic sealing tools | B29C 65/08 |
|-------------------------------------|----------------------------|

B65B 51/227

{by induction welding}

References**Informative references**

Attention is drawn to the following places, which may be of interest for search:

| | |
|------------------------------------|----------------------------|
| Details of induction sealing tools | B29C 65/36 |
|------------------------------------|----------------------------|

B65B 51/24

to produce bead seals (combined with severing by heated wires or rods
[B65B 61/10](#))

References**Informative references**

Attention is drawn to the following places, which may be of interest for search:

| | |
|----------------------------|-----------------------------|
| Single flanged edge joints | B29C 66/137 |
|----------------------------|-----------------------------|

B65B 51/26

Devices specially adapted for producing transverse or longitudinal seams in webs or tubes

Special rules of classification

Documents classified here are additionally classified in groups [B65B 2220/08](#), [B65B 2220/10](#) or [B65B 2220/12](#), provided they apply.

B65B 51/28

Rollers for producing longitudinal and transverse seams simultaneously

References**Informative references**

Attention is drawn to the following places, which may be of interest for search:

| | |
|---|-------------------------------|
| Making flat seams in tubular articles in general | B29C 66/4312 |
| Joining tools moving with the material to be joined of roller/cylinder type | B29C 66/83411 |
| Joining tools of jaw type mounted on rollers/cylinders | B29C 66/83511 |

B65B 51/30

Devices, e.g. jaws, for applying pressure and heat, e.g. for subdividing filled tubes

References**Informative references**

Attention is drawn to the following places, which may be of interest for search:

| | |
|---|------------------------------|
| For subdividing filled tubes involving displacement of contents | B65B 9/12 |
| Details of heated tools | B29C 65/18 |
| Making flat seams in tubular articles in general | B29C 66/4312 |

B65B 51/303**{reciprocating along only one axis}****Definition statement***This place covers:*

devices moving according to box-motion.

References**Informative references***Attention is drawn to the following places, which may be of interest for search:*

| | |
|---|-----------------------------|
| Joining tools reciprocating along only one axis | B29C 66/832 |
|---|-----------------------------|

B65B 51/306**{Counter-rotating devices}****Definition statement***This place covers:*

counter rotating devices along circular, oval or other paths

References**Informative references***Attention is drawn to the following places, which may be of interest for search:*

| | |
|---|-----------------------------|
| Joining tools moving with the material to be joined | B29C 66/834 |
|---|-----------------------------|

B65B 51/32**Cooling, or cooling and pressing, package closures after heat-sealing****References****Informative references***Attention is drawn to the following places, which may be of interest for search:*

| | |
|--|------------------------------|
| Cooling articles to be packaged | B65B 63/08 |
| Cooling joints after joining thermoplastics in general | B29C 66/0342 |

B65B 53/00**Shrinking wrappers, containers, or container covers during or after packaging****References****Informative references***Attention is drawn to the following places, which may be of interest for search:*

| | |
|------------------------------------|----------------------------|
| Bundles of articles in shrink foil | B65D 71/08 |
|------------------------------------|----------------------------|

| | |
|-------------------------|-----------------------------|
| Articles in shrink foil | B65D 75/002 |
|-------------------------|-----------------------------|

B65B 55/00

Preserving, protecting or purifying packages or package contents in association with packaging (by packaging under special atmospheric or gaseous conditions [B65B 31/00](#); devices for placing protecting sheets, plugs, or wads over contents [B65B 61/22](#))

References

Limiting references

This place does not cover:

| | |
|---|----------------------------|
| By packaging under special atmospheric or gaseous conditions | B65B 31/00 |
| Devices for placing protecting sheets, plugs, or wads over contents | B65B 61/22 |

Informative references

Attention is drawn to the following places, which may be of interest for search:

| | |
|---|----------------------------|
| Sterilising foodstuffs or beverages in general | A23L |
| Preserving, protecting or purifying in general (i.e. sterilising) | A61L |
| Apparatus for cleaning or sterilizing or needles | A61M 5/001 |
| Preserving alcoholic beverages | C12H 1/00 |

B65B 55/02

Sterilising, e.g. of complete packages

Definition statement

This place covers:

Sterilising of complete and incomplete packages

B65B 55/025

{Packaging in aseptic tunnels}

References

Limiting references

This place does not cover:

| | |
|----------------------------|-----------------------------|
| Aseptic filling of bottles | B67C 7/0073 |
|----------------------------|-----------------------------|

B65B 55/027**{Packaging in aseptic chambers}****References****Limiting references***This place does not cover:*

| | |
|----------------------------|-----------------------------|
| Aseptic filling of bottles | B67C 7/0073 |
|----------------------------|-----------------------------|

Informative references*Attention is drawn to the following places, which may be of interest for search:*

| | |
|-------------------------------|-----------------------------|
| Laminar flow cabinets | B08B 15/023 |
| Clean rooms with manipulators | B25J 21/005 |
| Clean rooms in general | F24F 3/167 |

B65B 55/04**Sterilising wrappers or receptacles prior to, or during, packaging {(sterilising bottles [B67C 7/00](#))}****Definition statement***This place covers:*

Sterilising wrappers, or receptacles such as bags, cartons, cups, etc. Also sterilising of bottles as long as the sterilisation does not take place in combination with filling and/or closing of bottles.

References**Limiting references***This place does not cover:*

| | |
|--|---------------------------|
| Sterilising of bottles in combination with filling and/or closing of bottles, specially the mechanical details, e.g. conveying means, bottle carrying means, etc, and/or the combination with some form of subsequent process in a bottle filling line | B67C 7/00 |
|--|---------------------------|

Informative references*Attention is drawn to the following places, which may be of interest for search:*

| | |
|---|---|
| The sterilising of bottles which mainly concerns the sterilizing media, processes, treatment and the like | A61L , A61L 2202/23 |
|---|---|

B65B 55/06**by heat****References****Informative references***Attention is drawn to the following places, which may be of interest for search:*

| | |
|--------------------------------------|---------------------------|
| Details of the sterilising apparatus | A61L 2/04 |
|--------------------------------------|---------------------------|

B65B 55/08**by irradiation****References****Informative references***Attention is drawn to the following places, which may be of interest for search:*

| | |
|--------------------------------------|---------------------------|
| Details of the sterilising apparatus | A61L 2/08 |
|--------------------------------------|---------------------------|

B65B 55/10**by liquids or gases****References****Informative references***Attention is drawn to the following places, which may be of interest for search:*

| | |
|-------------------------------------|---------------------------|
| Sterilisation in general by liquids | A61L 2/18 |
| Sterilisation in general by gases | A61L 2/20 |

B65B 55/18**by liquids or gases ([B65B 55/14](#) takes precedence)****References****Informative references***Attention is drawn to the following places, which may be of interest for search:*

| | |
|-------------------------------------|---------------------------|
| Sterilisation in general by liquids | A61L 2/18 |
| Sterilisation in general by gases | A61L 2/20 |

B65B 55/19

by adding materials intended to remove free oxygen or to develop inhibitor gases, e.g. vapour phase inhibitors

References**Informative references**

Attention is drawn to the following places, which may be of interest for search:

| | |
|---|--|
| Adding desiccant to the package, see also | B65B 25/001 , B65B 25/041 , B65B 25/064 , B65B 61/20 |
|---|--|

B65B 55/20

Embedding contents in shock-absorbing media, e.g. plastic foam, granular material

References**Limiting references**

This place does not cover:

| | |
|---|----------------------------|
| Embedding material applied only over contents | B65B 61/22 |
|---|----------------------------|

Informative references

Attention is drawn to the following places, which may be of interest for search:

| | |
|--|-----------------------------|
| Making cushion pads or dunnage products from paper or film | B31D 5/0039 |
|--|-----------------------------|

B65B 55/22

Immersing contents in protective liquids

References**Informative references**

Attention is drawn to the following places, which may be of interest for search:

| | |
|-----------------------------|-----------------------------|
| Packaging of contact lenses | B65B 25/008 |
|-----------------------------|-----------------------------|

B65B 55/24

Cleaning of, or removing dust from, containers, wrappers, or packaging {;
Preventing of fouling}

References**Informative references**

Attention is drawn to the following places, which may be of interest for search:

| | |
|---|------------------------------|
| Cleaning machinery or conduits if highly related to packaging | B65B 2210/06 |
|---|------------------------------|

| | |
|---|----------------------|
| Cleaning machinery or conduits in general | B08B |
|---|----------------------|

B65B 57/00

Automatic control, checking, warning, or safety devices (registering wrapping or container-forming material fed from rolls [B65B 41/18](#))

References

Limiting references

This place does not cover:

| | |
|--|----------------------------|
| Registering wrapping or container-forming material | B65B 41/18 |
|--|----------------------------|

Informative references

Attention is drawn to the following places, which may be of interest for search:

| | |
|--|--|
| Accident-prevention measures applicable for general use | F16P |
| Check of leak tightness | G01M 3/36 |
| Check of material | G01N |
| Job scheduling, system modularity, factory control, machine resources, "recipe handling" | G05B 19/00 |
| Photoelectric cells | H01J , H01L 31/00 , H10K 30/00 , H10K 39/00 |

B65B 57/10

responsive to absence, presence, abnormal feed, or misplacement of articles or materials to be packaged

References

Application-oriented references

Examples of places where the subject matter of this place is covered when specially adapted, used for a particular purpose, or incorporated in a larger system:

| | |
|--|------------------------------|
| Checking correctness of packaged medicine such as tablets, capsules, or the like, with optical means | G01N 21/9508 |
|--|------------------------------|

B65B 57/20

Applications of counting devices for controlling the feed of articles (other applications [B65B 65/08](#))

References

Informative references

Attention is drawn to the following places, which may be of interest for search:

| | |
|---|----------------------------|
| Counting the number of articles fed/produced without controlling the feed of articles | B65B 65/08 |
|---|----------------------------|

B65B 59/00

Arrangements to enable machines to handle articles of different sizes, to produce packages of different sizes, to vary the contents of packages {, to handle different types of packaging material,} or to give access for cleaning or maintenance purposes

Definition statement

This place covers:

Arrangements to enable machines

- to account for aspects of format change, specifically
- to handle articles of different sizes,
- to produce packages of different sizes,
- to vary the contents of packages, or
- to handle different types of packaging material,
- or to give access for cleaning or maintenance purposes.

Relationships with other classification places

Documents classified here are additionally classified in the indexing code [B65B 2210/04](#) if relating to customised on-demand packaging.

B65B 59/001

{Arrangements to enable adjustments related to the product to be packaged}

Definition statement

This place covers:

Arrangements to enable adjustments of machines, wherein this adjustment is caused by a change in the product to be packaged.

B65B 59/003

{Arrangements to enable adjustments related to the packaging material}

Definition statement

This place covers:

Arrangements to enable adjustments of machines, wherein this adjustment is caused by a change in the packaging material.

B65B 59/005

{Adjustable conveying means}

Definition statement

This place covers:

Arrangements to enable machines

- to handle articles of different sizes,
- to produce packages of different sizes,
- to vary the contents of packages,
- to handle different types of packaging material, or

- to give access for cleaning or maintenance purposes

by means of adjustable conveying means, wherein the conveying means are configured for being adjustable in at least one structural aspect.

B65B 59/02

Arrangements to enable adjustments to be made while the machine is running

Definition statement

This place covers:

Arrangements to enable at least one adjustment to be made while the machine is running, i.e. without stopping (on-the-fly).

References

Informative references

Attention is drawn to the following places, which may be of interest for search:

| | |
|---|---|
| Weight or volumetric adjustment of material to be packaged into an individual container | B65B 1/30 , B65B 3/26 |
|---|---|

B65B 59/04

Machines constructed with readily-detachable units or assemblies, e.g. to facilitate maintenance

Definition statement

This place covers:

E.g. modular machines

B65B 61/00

Auxiliary devices, not otherwise provided for, for operating on sheets, blanks, webs, binding material, containers or packages

Definition statement

This place covers:

devices and methods operating on the packaging material that are not covered by any other of the [B65B](#) main groups.

References

Informative references

Attention is drawn to the following places, which may be of interest for search:

| | |
|--|---|
| Miscellaneous auxiliary devices operating on articles or materials to be packaged and not otherwise provided for | B65B 63/00 |
| Operations on sheets webs and blanks without a packaging operation taking place | B31B |
| Attaching accessories to blanks, webs, bags or boxes independently from packaging operations see the Indexing Codes of | B31B 50/81 , B31B 70/81 |

B65B 61/005**{for removing material by cutting}****References****Limiting references***This place does not cover:*

| | |
|---|--|
| Removing packaging material to unpack articles or materials | B65B 69/0025 , B65B 69/0033 |
|---|--|

Informative references*Attention is drawn to the following places, which may be of interest for search:*

| | |
|--|-----------------------------|
| Removing waste material in combination with welding plastic material | B29C 65/749 |
|--|-----------------------------|

B65B 61/007**{Perforating strips of completed packages}****References****Limiting references***This place does not cover:*

| | |
|---|----------------------------|
| Perforating material prior to packaging | B65B 61/02 |
| Severing/separating joined packages | B65B 61/04 |

B65B 61/02**for perforating, scoring {, slitting,} or applying code or date marks on material prior to packaging {(scoring ampoules [B65B 3/006](#))}****References****Limiting references***This place does not cover:*

| | |
|---|----------------------------|
| Making holes on films by laser beams, e.g. for vegetables | B23K 26/00 |
|---|----------------------------|

Glossary of terms*In this place, the following terms or expressions are used with the meaning indicated:*

| | |
|---------|--------------------|
| Scoring | weakening material |
|---------|--------------------|

B65B 61/025**{for applying, e.g. printing, code or date marks on material prior to packaging}****Definition statement***This place covers:*

Applying marks on material prior to and during packaging, e.g. during heat sealing.

References**Limiting references***This place does not cover:*

| | |
|-----------------------|-----------------------------|
| Printing onto bottles | B41J 3/4073 |
|-----------------------|-----------------------------|

Informative references*Attention is drawn to the following places, which may be of interest for search:*

| | |
|---|-----------------------------|
| Marking or coding articles prior to packaging | B65B 63/005 |
| Labelling and printing of labels | B65C |

B65B 61/04**for severing webs, or for separating joined packages****References****Limiting references***This place does not cover:*

| | |
|--|-----------------------------|
| Perforating strips of completed packages | B65B 61/007 |
|--|-----------------------------|

B65B 61/06**by cutting****Definition statement***This place covers:*

e.g. cutting by laser

References**Informative references***Attention is drawn to the following places, which may be of interest for search:*

| | |
|---|------------------------------|
| Cutting webs along their longitudinal direction | B65B 2220/16 |
|---|------------------------------|

B65B 61/065**{by punching out}****References****Informative references***Attention is drawn to the following places, which may be of interest for search:*

| | |
|----------------------|----------------------------|
| Driving gear herefor | B65B 65/02 |
|----------------------|----------------------------|

B65B 61/182**{by applying tear-strips or tear-tapes}****References****Informative references***Attention is drawn to the following places, which may be of interest for search:*

| | |
|--|---|
| Applying tear strips or strings during the manufacture of boxes or bags see | B31B , B31B 50/812 , B31B 70/812 |
| Packages comprising tear strips/tapes | B65D 75/66 , B65D 75/68 |

B65B 61/184**{by applying tabs over discharge openings, e.g. over discharge openings defined by tear or score lines}****References****Informative references***Attention is drawn to the following places, which may be of interest for search:*

| | |
|---|---|
| Applying closure elements to bags or boxes independently from the packaging operations see | B31B , B31B 50/814 , B31B 70/813 |
|---|---|

B65B 61/186**{by applying or incorporating rigid fittings, e.g. discharge spouts}****References****Application-oriented references***Examples of places where the subject matter of this place is covered when specially adapted, used for a particular purpose, or incorporated in a larger system:*

| | |
|--|----------------------------|
| Attaching spouts to metal containers such as cans, tins or bottles | B21D 51/42 |
|--|----------------------------|

Informative references

Attention is drawn to the following places, which may be of interest for search:

| | |
|--|---|
| Applying spouts to boxes or bags independently from the packaging operations | B31B , B31B 50/84 , B31B 70/84 |
|--|---|

B65B 61/188

{by applying or incorporating profile-strips, e.g. for reclosable bags}

References**Informative references**

Attention is drawn to the following places, which may be of interest for search:

| | |
|---|---|
| Slide fastener details | A44B 19/00 |
| Making bags having interengaging profile strips in general, i.e. independently from the packaging operation | B31B , B31B 70/8131 |

B65B 61/20

for adding cards, coupons or other inserts to package contents (adding unpacking elements [B65B 61/18](#))

References**Limiting references**

This place does not cover:

| | |
|---------------------------|----------------------------|
| Adding unpacking elements | B65B 61/18 |
|---------------------------|----------------------------|

Informative references

Attention is drawn to the following places, which may be of interest for search:

| | |
|---|--|
| Attaching articles to cards, sheets or other carriers | B65B 15/00 |
| Adding desiccant to the package, see also | B65B 25/001 , B65B 25/041 , B65B 25/064 , B65B 55/19 |
| Devices for inserting documents into envelopes | B43M 3/00 |
| Labelling | B65C |
| Adding insertions between pallet layers | B65G 57/005 |

B65B 61/22

for placing protecting sheets, plugs, or wads over contents, e.g. cotton-wool in bottles of pills

References**Limiting references**

This place does not cover:

| | |
|---|----------------------------|
| Embedding contents in shock absorbing media | B65B 55/20 |
|---|----------------------------|

B65B 61/24

for shaping or reshaping completed packages

Definition statement

This place covers:

e.g. completely closed packages.

References**Informative references**

Attention is drawn to the following places, which may be of interest for search:

| | |
|--|-----------------------------|
| Shaping not yet completed packages on form fill seal (FFS) | B65B 9/2049 |
|--|-----------------------------|

B65B 61/26

for marking or coding completed packages

References**Informative references**

Attention is drawn to the following places, which may be of interest for search:

| | |
|--|---|
| Printing in general | B41J , B41F |
| Coding by applying a label (labelling) | B65C |
| Advertisement | G06Q 30/0241 |

B65B 63/00

Auxiliary devices, not otherwise provided for, for operating on articles or materials to be packaged

Definition statement

This place covers:

All devices and methods operating on the article/material to be packaged that are not covered by any other of the [B65B](#) main groups.

References

Informative references

Attention is drawn to the following places, which may be of interest for search:

| | |
|--|----------------------------|
| Miscellaneous auxiliary devices operating on sheets, blanks, webs, binding material, or packages, and not otherwise provided for | B65B 61/00 |
|--|----------------------------|

B65B 63/005

{for marking or coding articles prior to packaging}

References

Informative references

Attention is drawn to the following places, which may be of interest for search:

| | |
|--|-----------------------------|
| Applying code or date marks on packaging material prior to packaging | B65B 61/025 |
|--|-----------------------------|

B65B 63/02

for compressing or compacting articles or materials prior to wrapping or insertion in containers or receptacles

References

Informative references

Attention is drawn to the following places, which may be of interest for search:

| | |
|--|----------------------------|
| For compressing an article in a package in order to remove air from the package (deaerating) see | B65B 31/00 |
| Presses for tableting or compressing of powders | B30B 11/00 |

B65B 63/026

{for compressing by feeding articles through a narrowing space}

Definition statement

This place covers:

E.g. feeding through converging belts.

B65B 63/04

for folding or winding articles, e.g. gloves or stockings

References

Informative references

Attention is drawn to the following places, which may be of interest for search:

| | |
|--|---|
| Folding or winding webs or filamentary material in general | B65H 45/00 , B65H 54/00 |
| Folding textile articles not in connection with packaging | D06F 89/00 |

B65B 63/045**{for folding garments, e.g. stockings, shirts}****Definition statement***This place covers:*

Packaging garments in combination with folding.

References**Informative references***Attention is drawn to the following places, which may be of interest for search:*

| | |
|---|----------------------------|
| Packaging folded articles other than garments | B65B 25/20 |
| Folding of garments without packaging | D06F 89/00 |

B65B 63/08**for heating or cooling articles or materials to facilitate packaging****References****Informative references***Attention is drawn to the following places, which may be of interest for search:*

| | |
|---|----------------------------|
| Cooling package closures after heat sealing | B65B 51/32 |
|---|----------------------------|

B65B 65/00**Details peculiar to packaging machines and not otherwise provided for;
Arrangements of such details****Definition statement***This place covers:*All details of the packaging machine that are not covered by any other of the [B65B](#) main groups.**B65B 65/003****{Packaging lines, e.g. general layout}****Definition statement***This place covers:*

Packaging lines of special shape, space reducing layouts, etc.

B65B 65/006**{Multiple parallel packaging lines}****References****Informative references***Attention is drawn to the following places, which may be of interest for search:*

| | |
|---|------------------------------|
| Feeding articles along multiple lines to single packaging position | B65B 35/54 |
| Plurality of alternative input or output or alternative packaging units | B65B 2210/02 |
| Related to sealing plastic material | B29C 66/8432 |

B65B 65/02**Driving gear****References****Informative references***Attention is drawn to the following places, which may be of interest for search:*

| | |
|--|---|
| Drives for cutting stations | B26D 5/08 , B26F 1/40 |
| Drives for thermoforming stations | B29C 33/20 , B29C 45/64 , B29C 51/38 |
| Drives for sealing stations for joining plastics | B29C 66/822 |
| Presses in general | B30B |

B65B 65/06**coated or treated with anti-friction or anti-sticking materials, e.g. polytetrafluoroethylene****Definition statement***This place covers:*

treating with a anti-friction material as well as with a friction enhancing material

B65B 65/08**Devices for counting or registering the number of articles handled, or the number of packages produced by the machine****References****Application-oriented references***Examples of places where the subject matter of this place is covered when specially adapted, used for a particular purpose, or incorporated in a larger system:*

| | |
|--------------------------------------|--|
| Counting, sorting and wrapping coins | G07D 9/00 , G07D 9/065 |
|--------------------------------------|--|

References out of a residual place

Examples of places in relation to which this place is residual:

| | |
|---|----------------------------|
| Controlling the number of articles fed by counting them | B65B 57/20 |
|---|----------------------------|

Informative references

Attention is drawn to the following places, which may be of interest for search:

| | |
|---------------------|----------------------|
| Counting in general | G06M |
|---------------------|----------------------|

B65B 67/00**Apparatus or devices facilitating manual packaging operations; Sack holders****Definition statement**

This place covers:

Manual packaging operations as well as sack holders for both manual and automatic packaging operations.

B65B 67/06**Manually-operable devices for closing bag necks, by applying and securing lengths of string, wire or tape****References****Informative references**

Attention is drawn to the following places, which may be of interest for search:

| | |
|-------------------------------|-----------------------------|
| Devices for closing bag necks | B65B 51/065 |
|-------------------------------|-----------------------------|

B65B 67/08**Wrapping of articles****References****Informative references**

Attention is drawn to the following places, which may be of interest for search:

| | |
|------------------------------|-----------------------------|
| Manual strapping of articles | B65B 13/025 |
|------------------------------|-----------------------------|

B65B 67/085

{using hand-held dispensers for stretch films}

References**Informative references**

Attention is drawn to the following places, which may be of interest for search:

| | |
|---|----------------------------|
| Constructional details of packaging material holders for coiled, wound or folded material | B65H 75/04 |
|---|----------------------------|

B65B 67/12

Sack holders, i.e. stands or frames with means for supporting sacks in the open condition to facilitate filling with articles or materials {(nozzles, funnels or guides adapted to support sacks [B65B 39/06](#))}

References**Limiting references**

This place does not cover:

| | |
|---|----------------------------|
| Nozzles, funnels or guides adapted to support sacks | B65B 39/06 |
|---|----------------------------|

Informative references

Attention is drawn to the following places, which may be of interest for search:

| | |
|----------------------------|---|
| Sack holders on hand carts | B62B 1/266 , B62B 3/106 |
| Refuse receptacles | B65F 1/00 |
| Laundry bags and supports | D06F 95/004 |

B65B 67/1244

{characterised by mechanisms for temporarily closing the mouth of the sack, e.g. pedal-operated ([B65B 67/1211](#), [B65B 67/1255](#) take precedence; final closing or sealing of sacks [B65B 7/02](#), [B65B 51/00](#))}

References**Informative references**

Attention is drawn to the following places, which may be of interest for search:

| | |
|---|--------------------------------|
| Means for gathering, closing or sealing sacks | B65B 2067/1283 |
|---|--------------------------------|

B65B 67/1266**{specially adapted for storing or dispensing sacks from a supply}****References****Informative references***Attention is drawn to the following places, which may be of interest for search:*

| | |
|---|-----------------------------|
| Shopping bag holders on check-out counters | A47F 9/042 |
| Shopping bag holders per se, not in combination with means for supporting bag in open condition | A47F 13/085 |
| Refuse receptacles with spare bags | B65F 1/062 |

B65B 67/1277**{for dispensing flexible tubular material gathered up in the shape of a ring}****References****Informative references***Attention is drawn to the following places, which may be of interest for search:*

| | |
|--|---|
| Preformed tubular webs stored on filling nozzles | B65B 9/15 , B65B 9/18 |
| Refuse receptacles with means for storing bags | B65F 1/062 |

B65B 2067/1283**{Means for gathering, closing or sealing the sacks}****References****Informative references***Attention is drawn to the following places, which may be of interest for search:*

| | |
|---------------------------------------|-------------------------------|
| Refuse receptacles with sealing means | B65F 2210/167 |
|---------------------------------------|-------------------------------|

B65B 69/00**Unpacking of articles or materials, not otherwise provided for****References****References out of a residual place***Examples of places in relation to which this place is residual:*

| | |
|---|------------------------------|
| Unpacking bottles | B65B 21/00 |
| Containers for transporting blister-packs comprising means for dispensing articles, e.g. tablets therefrom | B65D 83/0463 |
| Hand or power-operated devices not attached to, or not incorporated in, containers or container closures for opening closed containers such as bottles, jars, cans and similar containers | B67B 7/00 |

Informative references

Attention is drawn to the following places, which may be of interest for search:

| | |
|---|--|
| Inhalators comprising devices for breaking, piercing or cutting capsules | A61M 15/003 |
| Separating waste/refuse | B03B 9/06 |
| Destroying/transforming solid waste; Removing gases or liquids from discarded articles, e.g. aerosols | B09B 3/00 , B09B 2101/02 |
| Devices for opening envelopes | B43M 7/00 |

B65B 69/0025

{Removing or cutting binding material, e.g. straps or bands}

References**Informative references**

Attention is drawn to the following places, which may be of interest for search:

| | |
|--|---|
| Hand held metal wire cutters for shearing metal wire | B23D 29/023 |
| Hand held cutting tools | B26B 17/00 , B26B 27/00 |

B65B 69/0033

{by cutting ([B65B 69/0008](#)-[B65B 69/0025](#) take precedence)}

Definition statement

This place covers:

The cutting open of boxes with power-operated devices.

Cutting open of bags, wrappers, and coin wrappers, apart from hand-operated devices covered by [B67B 7/30](#).

References**Limiting references**

This place does not cover:

| | |
|---|----------------------------|
| Opening or contents-removing devices added or incorporated during package manufacture | B65D 75/58 |
|---|----------------------------|

References out of a residual place

Examples of places in relation to which this place is residual:

| | |
|---|---------------------------|
| Hand operated cutting devices for opening closed containers such as cans, tetraeders and similar containers | B67B 7/30 |
| Power operated cutting devices | B67B 7/38 |

B65B 69/005**{by expelling contents, e.g. by squeezing the container}****References****References out of a residual place***Examples of places in relation to which this place is residual:*

| | |
|--|----------------------------|
| Pliable tubular containers with auxiliary devices for expelling contents | B65D 35/28 |
| Large containers with deformable internal walls facilitating emptying | B65D 88/62 |

Informative references*Attention is drawn to the following places, which may be of interest for search:*

| | |
|--|----------------------------|
| Crushing, pulverising or desintegrating in general | B02C |
| Dispensers for silicon type cartridges | B05C 17/00 |
| Presses for squeezing liquid from for ex. fruit | B30B 9/02 |

B65B 69/0058**{Solid contents}****Definition statement***This place covers:*

For example, pressing tablets from a blister as long as the apparatus for opening does not form part of a container for storing the blister-pack.

References**Informative references***Attention is drawn to the following places, which may be of interest for search:*

| | |
|---|--|
| Disposal of medical waste | B09B 3/00 , B09B 2101/65 |
| Containers for storing a blister-package with special means for dispensing tablets from a blister web | B65D 83/0463 |

B65B 69/0066**{Heating materials to facilitate their unpacking}****References****References out of a residual place***Examples of places in relation to which this place is residual:*

| | |
|--|----------------------------|
| Emptying large containers with use of heat | B65D 88/74 |
|--|----------------------------|

Informative references

Attention is drawn to the following places, which may be of interest for search:

| | |
|--|---------------------------|
| Heating and cooling of liquids to be transferred | B67D 7/80 |
|--|---------------------------|

B65B 69/0075

{Emptying systems for flexible intermediate bulk containers [FIBC]}

References**Informative references**

Attention is drawn to the following places, which may be of interest for search:

| | |
|---|----------------------------|
| Flexible large containers | B65D 88/16 |
| Means facilitating the emptying of large containers | B65D 88/54 |
| Methods or devices for emptying bunkers, hoppers, tanks | B65G 65/30 |
| Preventing escape of dust | B65G 69/18 |

Glossary of terms

In this place, the following terms or expressions are used with the meaning indicated:

| | |
|------|---------|
| FIBC | big bag |
|------|---------|

B65B 2210/02

Plurality of alternative input or output lines or plurality of alternative packaging units on the same packaging line for improving machine flexibility

References**Informative references**

Attention is drawn to the following places, which may be of interest for search:

| | |
|---|-----------------------------|
| Feeding along multiple lines to single packaging position | B65B 35/54 |
| Multiple parallel packaging lines | B65B 65/003 |

B65B 2220/14

Adding more than one type of material or article to the same package

References**Informative references**

Attention is drawn to the following places, which may be of interest for search:

| | |
|---|----------------------------|
| Volumetric dosing of several products into an individual container | B65B 3/326 |
| Packaging two substances isolated from each-other but capable of being mixed in the package without opening the package | B65B 29/10 |

B65B 2230/02

**Containers having separate compartments isolated from one another
([B65B 29/10](#) and [B65B 2220/16](#) take precedence)**

References

Informative references

Attention is drawn to the following places, which may be of interest for search:

| | |
|-------------------------|----------------------------|
| Such containers as such | B65D 81/32 |
|-------------------------|----------------------------|