

D04G

MAKING NETS BY KNOTTING OF FILAMENTARY MATERIAL; MAKING KNOTTED CARPETS OR TAPESTRIES; KNOTTING NOT OTHERWISE PROVIDED FOR (binding knotters for harvesters [A01D 59/04](#); wire netting [B21F](#); tying articles by knotting [B65B](#); knotting in association with winding or unwinding [B65H 69/00](#); knotting in weaving [D03J](#))

Definition statement

This place covers:

Textile articles including knots to secure members, e.g. beads or tufts, or to connect threads for forming nets machines and methods for making said articles by knotting.

References

Limiting references

This place does not cover:

Knotters for binding harvested produce	A01D 59/04
Wire network	B21F 27/00 - B21F 33/00
Tying articles by knotting	B65B 13/26
Weavers' tools, e.g. knot-tying tools	D03J 3/00

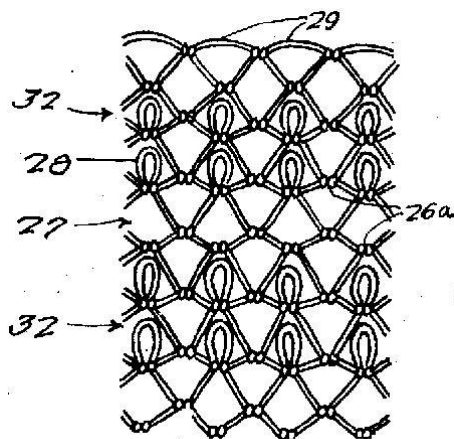
D04G 1/00

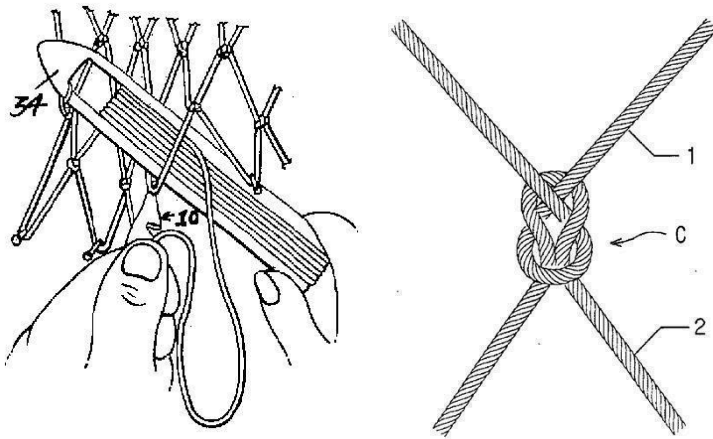
Making nets by knotting of filamentary material

Definition statement

This place covers:

Knotted nets, methods of hand knotting same and tools for performing said methods.





References

Informative references

Attention is drawn to the following places, which may be of interest for search:

Fishing nets	A01K 75/00
Wire network per se	B21F 27/005
Producing nets by moulding techniques	B29D 28/00
Load bearing nets	B66C 1/127

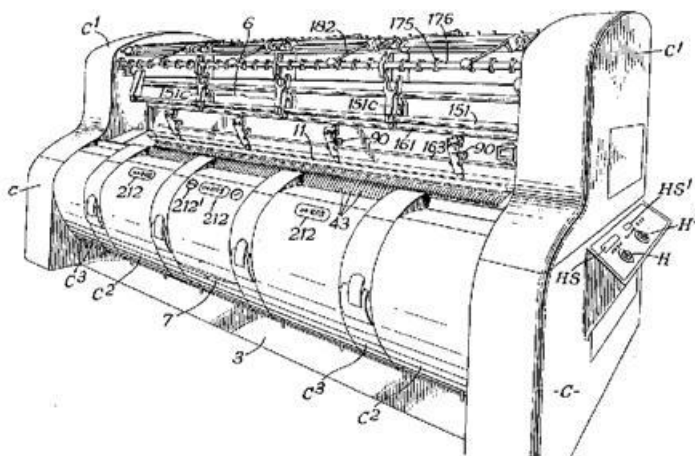
D04G 1/02

in machines

Definition statement

This place covers:

Details of net knotting machines; machines not limited to knotting particular types of netting; ancillary equipment for use with knotting machines.



D04G 1/04

using a single thread

Definition statement

This place covers:

Nets machine-knotted from a single thread, processes for making same and apparatus specifically designed for such processes.

References

Informative references

Attention is drawn to the following places, which may be of interest for search:

Nets knotted by hand from a single thread in general	D04G 1/00
--	---------------------------

D04G 1/06

using a single thread and a series of threads

Definition statement

This place covers:

Nets machine-knotted from a single thread and a series of threads, processes for making same and apparatus specifically designed for such processes.

References

Informative references

Attention is drawn to the following places, which may be of interest for search:

Nets knotted by hand from a single thread and a series of threads in general	D04G 1/00
--	---------------------------

D04G 1/08

using two series of threads

Definition statement

This place covers:

Nets machine-knotted from two series of threads, processes for making same and apparatus specifically designed for such processes.

References

Informative references

Attention is drawn to the following places, which may be of interest for search:

Nets knotted by hand from two series of threads in general	D04G 1/00
--	---------------------------

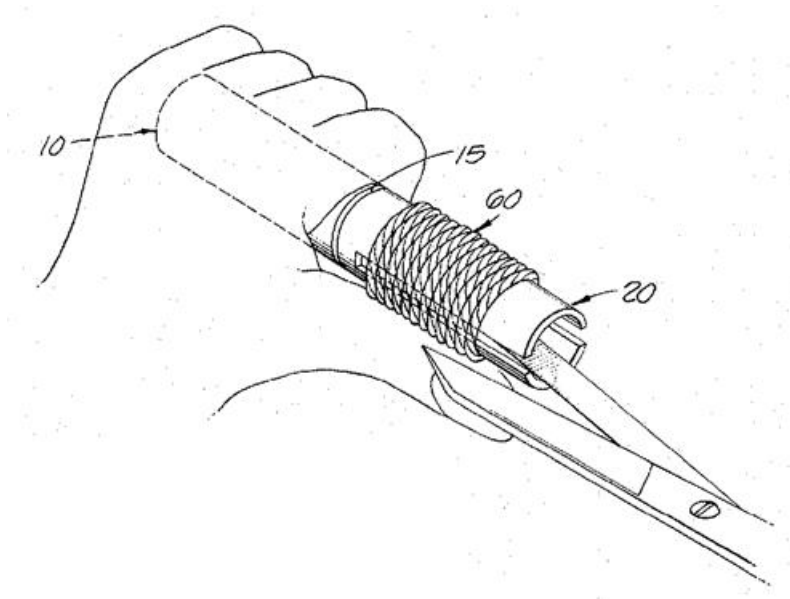
D04G 3/00

Making knotted carpets or tapestries

Definition statement

This place covers:

Methods of making knotted carpets or tapestries and devices for use in such methods not provided for in one of the subgroups, e.g. tools for preparing tufts



References

Informative references

Attention is drawn to the following places, which may be of interest for search:

Making pile fabric by tufting	D05C 15/04
-------------------------------	----------------------------

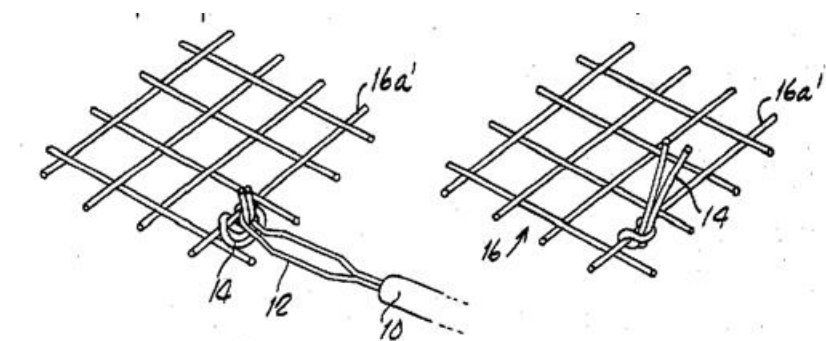
D04G 3/02

by hand; Tools therefor

Definition statement

This place covers:

Hand tools for knotting tufts into carpet canvas.



References

Informative references

Attention is drawn to the following places, which may be of interest for search:

Hand tufting needles	D05C 15/06
----------------------	----------------------------

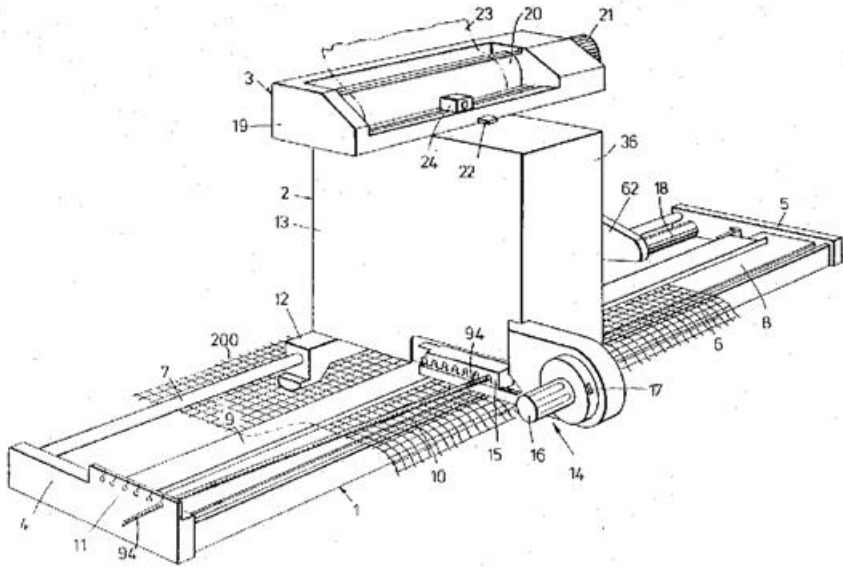
D04G 3/04

in machines

Definition statement

This place covers:

Machines for knotting tufts into carpet backings



References

Informative references

Attention is drawn to the following places, which may be of interest for search:

Tufting machines	D05C 15/08
------------------	----------------------------

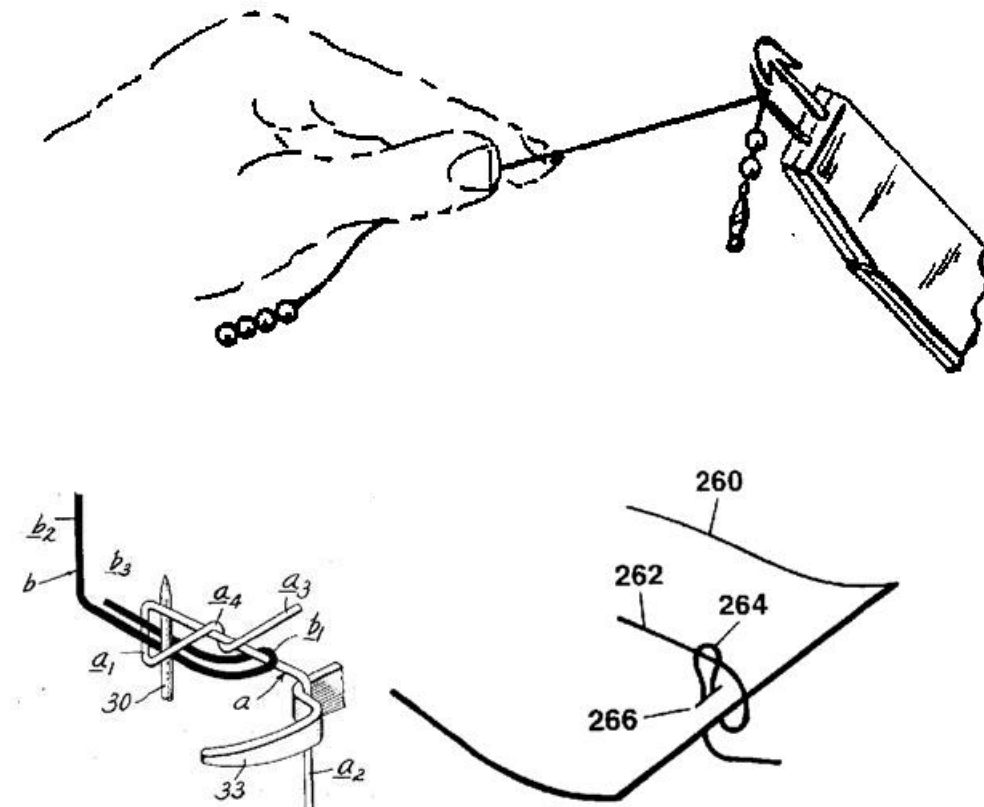
D04G 5/00

Knotting not otherwise provided for

Definition statement

This place covers:

Knotting not provided for in [D04G 1/00](#) or [D04G 3/00](#), e.g. forming knots along a cord; tying rope ends or Macramé work tools and devices for use in such knotting methods



References

Informative references

Attention is drawn to the following places, which may be of interest for search:

Knotting methods and devices for interconnecting threads	B65H 69/04
Thread knotting devices in circular knitting machines	D04B 15/62