

E04H

BUILDINGS OR LIKE STRUCTURES FOR PARTICULAR PURPOSES; SWIMMING OR SPLASH BATHS OR POOLS; MASTS; FENCING; TENTS OR CANOPIES, IN GENERAL (foundations [E02D](#))

Definition statement

This place covers:

Structures specially adapted for buildings for special purposes; general layout of buildings as a whole, e.g. modular co-ordination; details which are peculiar to different types of the buildings for special purposes specified in the groups.

References

Limiting references

This place does not cover:

Foundations	E02D
-------------	----------------------

Informative references

Attention is drawn to the following places, which may be of interest for search:

Canopies having special application, which are covered by the relevant place, e.g. protecting chairs against the weather	A47C 7/66
Bed canopies	A47C 29/00
Sanitary equipment	A47K
Layered materials or layered products in general	B32B
Bridges	E01D
Additional construction work	E01F
General building constructions	E04B
Structural elements for building constructions	E04C
Roofs	E04D
Finishing work on buildings	E04F
Scaffolding; Shuttering	E04G

E04H 1/00

Buildings or groups of buildings for dwelling or office purposes; General layout, e.g. modular co-ordination or staggered storeys ([E04H 3/00](#) takes precedence)

Definition statement

This place covers:

Buildings made of building modules;

Dwelling houses in general, i.e. apartment houses arranged in two or more levels;

Office buildings;

Definition statement

Small buildings for limited occupation.

References

Limiting references

This place does not cover:

Buildings or groups of buildings for public or similar purposes; Institutions, e.g. infirmaries or prisons	E04H 3/00
--	---------------------------

Informative references

Attention is drawn to the following places, which may be of interest for search:

Buildings for two or more purposes, drive-in buildings	E04H 14/00
Furniture or fittings for shops, storehouses or the like	A47F
Domestic public installations	E03C
Building construction in general	E04B 1/00
Extraordinary structures	E04B 1/34
Collapsible, erectable or rotatable buildings	E04B 1/343
Heat, sound or noise insulation, absorption or reflection for buildings	E04B 1/74
Canalisation per se	F16L
Air-conditioning or ventilation for buildings	F24F

Special rules of classification

Use also [E04B 2001/0053](#) - [E04B 2001/0092](#) to classify buildings characterised by their shape or layout grid.

E04H 1/06

Office buildings; Banks ([E04H 1/12](#) takes precedence)

References

Limiting references

This place does not cover:

Small buildings or other erections for limited occupation, erected in the open air or arranged in buildings, e.g. kiosks, waiting shelters for bus stops or for filling stations, roofs for railway platforms, watchmen's huts or dressing cubicles	E04H 1/12
---	---------------------------

Informative references

Attention is drawn to the following places, which may be of interest for search:

Furniture or fittings for shops, storehouses or the like	A47F
--	----------------------

E04H 1/12

Small buildings or other erections for limited occupation, erected in the open air or arranged in buildings, e.g. kiosks, waiting shelters for bus stops or for filling stations, roofs for railway platforms, watchmen's huts or dressing cubicles

References

Informative references

Attention is drawn to the following places, which may be of interest for search:

Transformer houses	E04H 5/04
Structures against air-raid or other war like actions, arranged in or forming part of buildings, independent shelters	E04H 9/04
Bathing or beach cabins	E04H 15/003
Movable screens as household equipment	A47G 5/00
Cabins for artificial hot-air or cold-air baths	A61H 33/00
Fume cabinets	B08B 15/00
Lavatories, urinals	E03D
Collapsible, erectable or rotatable buildings	E04B 1/343
Air-conditioning	F24F

Special rules of classification

Use [E04H 2001/1288](#) to classify sauna cabins, [E04H 2001/1283](#) to classify small buildings of the ISO-containers type, [E04H 2001/1294](#) to classify the booths for smoking.

E04H 3/00

Buildings or groups of buildings for public or similar purposes; Institutions, e.g. infirmaries or prisons

Definition statement

This place covers:

Buildings for hotels, restaurants, shops, department stores, museums, hospitals, mobile medical centres;

Public institutions like schools, prisons;

Buildings like e.g. stadiums, arenas or halls for meetings, entertainment and sport; Tribunes, grandstands and terraces for spectators, i.e. telescopic grandstands as well as foldable retractable or tiltable tribunes;

Other sporting buildings, like e.g. buildings housing swimming pools;

Buildings for theatres, concert halls, studios;

Stages, i.e. revolving stages or stages with shiftable or portable platforms;

Constructional features of auditoriums.

References

Informative references

Attention is drawn to the following places, which may be of interest for search:

Portions of buildings for individual occupation, e.g. cubicles	E04H 1/00
Swimming pool coverings consisting of rigid elements	E04H 4/08
Buildings against air-raid or other war-like actions or against adverse climate conditions	E04H 9/04 , E04H 9/16
Buildings of drive-in type	E04H 14/00
Chairs, stools, benches	A47C
Furnishing or fitting in general, e.g. paying counters, furniture or installations specially adapted for supermarkets	A47F , e.g. A47F 9/02 , A47F 10/00
Equipment for theatres or concert halls	A63J
Transport aspects	B65G
Structures covering a large free area	E04B 1/342
Collapsible, erectable or rotatable buildings	E04B 1/343
Building details providing acoustical effects	E04B 1/99
Roof structures with movable roof parts	E04B 7/16
Coin-free apparatus	G07F

Special rules of classification

Use [E04H 2003/142](#) to classify sporting buildings with vertically movable or tillable playing fields or sections, [E04H 2003/145](#) for those with reconfigurable seating arrangement and [E04H 2003/147](#) for those using horizontally movable sections of tribunes.

E04H 3/02

Hotels; Motels; Coffee-houses; Restaurants; Shops; Department stores

References

Informative references

Attention is drawn to the following places, which may be of interest for search:

Furnishing or fitting	A47F
-----------------------	----------------------

E04H 3/04

Restaurants or shops having arrangements for self-service

References

Informative references

Attention is drawn to the following places, which may be of interest for search:

Paying counters	A47F 9/02
Furniture or installations specially adapted for supermarkets	A47F 10/00
Transport aspects	B65G

Coin-freeed apparatus	G07F
-----------------------	----------------------

E04H 3/12

Tribunes, grandstands or terraces for spectators

References

Informative references

Attention is drawn to the following places, which may be of interest for search:

Auditoriums	E04H 3/30
Chairs, stools or benches	A47C

E04H 3/14

Gymnasiums; Other sporting buildings

References

Informative references

Attention is drawn to the following places, which may be of interest for search:

Tribunes	E04H 3/12
----------	---------------------------

E04H 3/16

for swimming

References

Informative references

Attention is drawn to the following places, which may be of interest for search:

Swimming or splash baths or pools	E04H 4/00
-----------------------------------	---------------------------

E04H 3/22

Theatres; Concert halls; Studios for broadcasting, cinematography, television or similar purposes

References

Informative references

Attention is drawn to the following places, which may be of interest for search:

Drive-in buildings	E04H 14/00
Equipment for theatres or concert halls	A63J
Vehicles specially adapted to carry a theatre or stage	B60P 3/025

E04H 3/26**Revolving stages; Stages able to be lowered****References****Informative references**

Attention is drawn to the following places, which may be of interest for search:

Devices for raising or lowering persons	A63J 5/12
---	---------------------------

E04H 3/30**Constructional features of auditoriums****References****Informative references**

Attention is drawn to the following places, which may be of interest for search:

Chairs, stools or benches	A47C
Building details providing acoustical effects	E04B 1/99

E04H 4/00**Swimming or splash baths or pools****Definition statement**

This place covers:

Devices for producing waves in swimming pools;

Floating swimming pools;

Easy movable and transportable swimming pools, i.e. with inflatable parts or made of shell type elements or of panes;

Safety devices for swimming pools, i.e. floors adjustable in height;

Swimming pool coverings made of rigid elements or of flexible materials; Devices or arrangements for circulating water, i.e. devices for removal of polluted water, cleaning baths or for water treatment;

Devices and accessories peculiar to swimming pools, i.e. coping elements, liner fixing means, step units, lighting means;

Devices and apparatuses specially adapted for cleaning, i.e. hand-held strainers, powered cleaners, suction cleaners, self-propelled cleaners.

References**Informative references**

Attention is drawn to the following places, which may be of interest for search:

Sanitary equipment in general	A47K
Wave-producers for baths	A47K 3/10

Bathing devices for special therapeutic or hygienic purposes	A61H
Devices for generating a current of water in swimming pools, e.g. for teaching swimming	A63B 69/125
Walls made by casting, pouring, or tamping in situ , e.g. in permanent forms	E04B 2/86
Wave-producing pumps	F04D 35/00

Special rules of classification

Use [E04H 2004/0068](#) to classify pools made of plastic shells or plastic elements including at least parts of walls and floors.

E04H 4/12

Devices or arrangements for circulating water {, i.e. devices for removal of polluted water, cleaning baths or for water treatment}

Definition statement

This place covers:

Treatment of water for swimming pools;

Devices for removal of polluted water, i.e. circumferential gutters;

Bottom drains;

Recirculating pumps for swimming pool water, arm-mounted debris traps; floating skimmers and skimmers integrated in the pool wall;

Devices for distributing chemical products in the water of swimming pools and systems for heating the water content of swimming pools.

References

Informative references

Attention is drawn to the following places, which may be of interest for search:

Water separation aspects, i.e. filters	B01D
Treatment of water	C02F
Solar collectors using pools	F24S 10/10 , F24S 10/17
Solar heat systems for swimming pools	F24S 20/02

E04H 4/14

Parts, details or accessories not otherwise provided for

Definition statement

This place covers:

Devices and accessories peculiar to swimming pools, i.e. coping elements; Liner fixing means;

Means for facilitating access, e.g. step units or slides;

Dividing means for swimming pool, e.g. panels, bulkheads;

Lighting means.

References

References out of a residual place

Examples of places in relation to which this place is residual:

Invalid-lifting devices for swimming pools	A61G 7/1005
--	-----------------------------

Special rules of classification

Use [E04H 2004/146](#) and [E04H 2004/147](#) to classify the fixing aspects of the liners.

E04H 4/16

especially adapted for cleaning

Definition statement

This place covers:

Devices and apparatuses specially adapted for cleaning the swimming pool, e.g. hand-held strainers, powered cleaners, suction cleaners, self-propelled cleaners, cleaners wherein the propulsion results from an intermittent interruption of the waterflow through the cleaner;

Connection between the cleaners and the water circulation system;

Cleaning whips;

Pool nozzles.

References

Informative references

Attention is drawn to the following places, which may be of interest for search:

Brushes and bristles	A46B
Cleaning devices specially adapted for vessels	B63B 59/00
Cleaning or keeping clear the surface of open water	E02B 15/00

E04H 5/00

Buildings or groups of buildings for industrial or agricultural purposes

Definition statement

This place covers:

Buildings for industrial purposes, e.g. for power-plants, factories, data processing centers;

Buildings forming parts of cooling plants;

Transformer houses;

Substations or switchgear houses;

Pits for inspection or services and coverings therefore;

Buildings for agricultural purposes;

Cooling towers.

References

Informative references

Attention is drawn to the following places, which may be of interest for search:

Silos	E04H 7/22
Manure storage places	A01C 3/02
Greenhouses	A01G 9/14
Spray booths	B05B 16/00
Servicing, maintaining, repairing or refitting vehicles	B60S 5/00
Manhole shafts or other inspection chambers in general	E02D 29/12
Building constructions in general	E04B 1/00
Computer floors	E04F
Ventilation	F24F
Cooling equipment	F28F
Constructional details common to different types of electric apparatus, e.g. computers	H05K 7/00

E04H 5/02

Buildings or groups of buildings for industrial purposes, e.g. for power-plants or factories (buildings forming part of cooling plants [E04H 5/10](#))

References

Limiting references

This place does not cover:

Buildings forming part of cooling plants	E04H 5/10
--	---------------------------

Informative references

Attention is drawn to the following places, which may be of interest for search:

Building structures for parking vehicles	E04H 6/00
--	---------------------------

E04H 5/06

Pits or building structures for inspection or services

References

Informative references

Attention is drawn to the following places, which may be of interest for search:

Manhole shafts or other inspection chambers in general	E02D 29/12
--	----------------------------

E04H 5/08

Buildings or groups of buildings for agricultural purposes (silos [E04H 7/22](#))

References

Limiting references

This place does not cover:

Silos	E04H 7/22
-------	---------------------------

Informative references

Attention is drawn to the following places, which may be of interest for search:

Manure storage places	A01C 3/02
Greenhouses	A01G 9/14

E04H 5/12

Cooling towers

References

Informative references

Attention is drawn to the following places, which may be of interest for search:

Towers in general	E04H 12/00
Cooling equipment	F28

E04H 6/00

Buildings for parking cars, rolling-stock, aircraft, vessels or like vehicles, e.g. garages

Definition statement

This place covers:

Garages for vehicles on two wheels;

Small garages, for one or two cars, like e.g. carports, small garages of the wheeled, hinged, foldable, telescopic, swinging or otherwise movable type, small garages using tiltable floors or ramps;

Garages for many vehicles with mechanical means for shifting or lifting vehicles or without mechanical means for shifting or lifting vehicles, like e.g. with means for transport in vertical direction only or independently in vertical and horizontal directions, either the cars rolling freely from the transfer means or using different transfer means or by the use of movable platforms for horizontal transport or characterised by the use of turntables, rotary elevators or the like on which the cars are not permanently parked;

Devices or arrangements peculiar to garages, not covered elsewhere, e.g. securing devices, safety devices, automatically operated car-parks, devices for collecting oil or further fluids under parked cars.

References

Informative references

Attention is drawn to the following places, which may be of interest for search:

Tents for use as garages	E04H 15/00
Servicing, maintaining, repairing or refitting vehicles	B60S 5/00
Turntables	B60S 13/02
Bicycle stands	B62H
Storing of vessels on land	B63C 15/00
Storage devices	B65G 1/02
Lifting frames	B66F
Construction of ground-supported surfaces	E01C
Marking of parking areas on the ground	E01F 9/50
Building constructions in general	E04B 1/00
Structures covering a large free area, whether open-sided or not, e.g. hangars, halls	E04B 1/342
Solar heat collectors	F24S

E04H 6/02

Small garages, e.g. for one or two cars (attached to, or supported by, the vehicle [B62D](#))

References

Limiting references

This place does not cover:

Attached to, or supported by, the vehicle	B62D
---	----------------------

Informative references

Attention is drawn to the following places, which may be of interest for search:

Prefabricated and with undivided interior	E04B 1/343
---	----------------------------

E04H 6/04

wheeled, hinged, foldable, telescopic, swinging or otherwise movable

References

Informative references

Attention is drawn to the following places, which may be of interest for search:

Transportable or collapsible buildings in general	E04B 1/343
---	----------------------------

E04H 6/44

for storing aircraft

References

Informative references

Attention is drawn to the following places, which may be of interest for search:

Structures covering a large free area	E04B 1/342
---------------------------------------	----------------------------

E04H 7/00

Construction or assembling of bulk storage containers employing civil engineering techniques in situ or off the site (tower aspects [E04H 12/00](#); storage aspects, e.g. floating roofs, sealing means, filling or discharging means [B65D](#), [B65G](#), [F17B](#), [F17C](#); foundations [E02D 27/38](#))

Definition statement

This place covers:

Containers for fluids or gases mainly made of metal, with vertical axis, roof constructions therefore, with horizontal axis or ball shaped or mainly made of reinforced or prestressed concrete;

Containers for fluent solids, e.g. silos, bunkers, supports therefore, e.g. with or without perforated walls mainly made of reinforced concrete, of metal or of wood.

References

Limiting references

This place does not cover:

Tower aspects	E04H 12/00
Storage aspects, e.g. floating roofs, sealing means, filling or discharging means	B65D , B65G , F17B , F17C
Foundations	E02D 27/38

Informative references

Attention is drawn to the following places, which may be of interest for search:

Covers, roofs or other structures for covering manure storage places	A01C 3/02
Storing agricultural produces	A01F 25/00
Arrangements or adaptations of tanks for water supply	E03B 11/00
Processes or apparatus for separating the constituents of gaseous mixtures involving the use of liquefaction or solidification; Details of the apparatus used	F25J 3/00
Drying solid materials	F26B 5/00

Special rules of classification

Use [E04H 2007/225](#) to classify the silos with retaining wall type elements, e.g. trench silos.

E04H 7/02**Containers for fluids or gases; Supports therefor****References****Informative references**

Attention is drawn to the following places, which may be of interest for search:

Arrangements or adaptations of tanks for water supply	E03B 11/00
---	----------------------------

E04H 9/00**Buildings, groups of buildings or shelters adapted to withstand or provide protection against abnormal external influences, e.g. war-like action, earthquake or extreme climate (foundation aspects [E02D](#))****Definition statement**

This place covers:

Buildings, or groups of buildings, or shelters adapted to withstand or provide protection against abnormal external influences, e.g. war-like action, earthquake, extreme climate.

References**Limiting references**

This place does not cover:

Foundation aspects	E02D
--------------------	----------------------

Informative references

Attention is drawn to the following places, which may be of interest for search:

Shelters for decontamination	E04H 1/1272
Floating buildings	B63B
Building constructions in general	E04B
Bearings or like supports allowing movement	E04B 1/36
Special details in regard to insulation or other protection	E04B 1/62
Supporting structures for endangered or damaged existing buildings or parts thereof	E04G 23/04
Doors or windows	E06B 5/00
Protecting building openings	E06B 9/00
Suppression of vibrations	F16F
Air-conditioning or ventilation	F24F
Camouflage	F41H 3/00
Safety arrangements	F42D
Cells or rooms shielded against dangerous radiation	G21F 7/00

E04H 9/02

withstanding earthquake or sinking of ground (foundations [E02D 27/34](#))

Definition statement

This place covers:

Earthquake withstanding structures, having e.g. steel columns and beams or concrete columns;

Earthquake withstanding shelters and protection cells arranged inside of buildings;

Preventing constructional measures against earthquake damage in existing buildings;

Bearing, supporting or connecting construction for withstanding earthquake, damping devices having e.g. laminated structures of alternating elastomeric and rigid layers or structures comprising rolling elements like balls, pins.

References

Informative references

Attention is drawn to the following places, which may be of interest for search:

Building protection making use of active or passive dynamic mass damping systems	E04H 9/0215
Foundations	E02D
Foundations for sinking or earthquake territories	E02D 27/34
Bearings or like supports allowing movement	E04B 1/36
Working measures for endangered or damaged existing buildings or parts thereof	E04G 23/00

Special rules of classification

Use [E04H 9/0235](#) to classify anti-seismic devices with hydraulic or pneumatic damper and [E04H 9/0237](#) to classify structural braces with damping devices.

Looping references between [E04H 9/02](#) and [E02D 27/34](#) have been identified. Until this inconsistency is resolved, the current classification practice in CPC is as follows: both references should be treated as informative.

E04H 9/0215

{involving active or passive dynamic mass damping systems}

Definition statement

This place covers:

Protection of buildings by reducing the movement of buildings, e.g. caused by earthquakes, using mass-spring system, or systems where the mass is actively moved in opposite phase to the building movement, or tanks with liquid mass, with or without baffles for impeding liquid movement.

E04H 9/04**against air-raid or other war-like actions****References****Informative references***Attention is drawn to the following places, which may be of interest for search:*

Respiratory apparatus	A62B
-----------------------	----------------------

E04H 9/12**entirely underneath the level of the ground, e.g. air-raid galleries****References****Informative references***Attention is drawn to the following places, which may be of interest for search:*

Tunnels or galleries	E21D
----------------------	----------------------

E04H 12/00**Towers; Masts or poles; Chimney stacks; Water-towers; Methods of erecting such structures (cooling towers [E04H 5/12](#); derricks for oil drilling [E21B 15/00](#))****Definition statement***This place covers:*

Access covers or locks for openings in masts or poles;

Structures made of specified materials, like e.g. plastic or composite layer of resin and longitudinally arranged glass fibres;

Structures made of wood and truss-like structures made of wood;

Structures made of metal, truss-like structures made of metal, structures with truss-like sections combined with tubular-like sections, details of flanges for tubular masts;

Structures made of concrete, with or without internal or external reinforcements, pre-stressed structures;

Movable structures or having movable sections, e.g. rotatable, telescopic, with identical elements or with hinged sections;

Side support means for towers, masts or poles, e.g. using guy ropes, struts;

Sockets or holders for poles or posts;

Cross arms;

Winding-towers for mines;

Chimney stacks, e.g. free-standing or similar ducts;

Water-towers;

Flag poles;

Arrangements for erecting and lowering towers, masts, poles, chimney stacks or the like.

References

Limiting references

This place does not cover:

Cooling-towers	E04H 5/12
Derricks for oil drilling	E21B 15/00

Informative references

Attention is drawn to the following places, which may be of interest for search:

Flexible slalom gate poles	A63C 19/062
Tanks	B65D 88/00
Supports for road signs	E01F 9/60
Flexible road sign supports	E01F 9/627
Foundation piles	E02D 5/22
Foundations for masts, poles or chimneys	E02D 27/42
Use of high-level tanks	E03B 11/12
Rotary buildings	E04B 1/346
Structural elongated members in general	E04C 3/00
Chimneys as part of a building	E04F 17/02
Fixed climbing irons	E06C 9/04
Mounting structures for wind motors	F03D
Fastening means for cables or ropes	F16G 11/00
Supports for aerials	H01Q 1/12

E04H 12/18

movable or with movable sections, e.g. rotatable or telescopic

References

Informative references

Attention is drawn to the following places, which may be of interest for search:

Rotary buildings	E04B 1/346
------------------	----------------------------

E04H 12/20

Side-supporting means therefor, e.g. using guy ropes or struts

References

Informative references

Attention is drawn to the following places, which may be of interest for search:

Ground anchors	E02D 5/80
Fastening means for cables or ropes	F16G 11/00

E04H 12/22

Sockets or holders for poles or posts {(for sports articles, e.g. floor sockets [A63B 71/023](#); for road signs [E01F 9/673](#))}

Definition statement

This place covers:

Sockets or holders for poles or posts driven or screwed into the ground;

Sockets or holders for poles or posts to be placed on the ground, e.g. filled with, water, sand or the like;

Mounting poles or posts to a holder, e.g. on a flat base, in a socket;

Clamping poles or posts on a stub;

Means for adjusting the orientation of the post or pole;

Holders used for protection, repair or reinforcement of the post or pole.

References

Limiting references

This place does not cover:

For sports articles, e.g. floor sockets	A63B 71/023
For road signs	E01F 9/673

Informative references

Attention is drawn to the following places, which may be of interest for search:

Pegs, stakes or the like for tents	E04H 15/62
Anchoring means for fence posts	E04H 17/08 , E04H 17/22
Other umbrellas	A45B 23/00
Article supports adapted to be stuck into the ground	A45F 3/44
Christmas tree stands	A47G 33/12
Break away mountings	E01F 9/631
Sockets or holders for road signs	E01F 9/673
Foundation piles	E02D 5/22

Ground anchors	E02D 5/80
Foundations for poles, masts or chimneys	E02D 27/42

E04H 12/26

Winding towers for mines

References

Informative references

Attention is drawn to the following places, which may be of interest for search:

Elevators	B66B
-----------	----------------------

E04H 12/28

Chimney stacks, e.g. free-standing, or similar ducts (chimneys as part of buildings [E04F 17/02](#))

References

Limiting references

This place does not cover:

Chimneys as part of buildings	E04F 17/02
-------------------------------	----------------------------

Informative references

Attention is drawn to the following places, which may be of interest for search:

Foundations	E02D 27/42
Connections between furnace and smoke stack, chimney equipment	F23J

E04H 12/30

Water-towers

References

Informative references

Attention is drawn to the following places, which may be of interest for search:

Tanks	B65D 88/00
Use of high-level tanks	E03B 11/12

E04H 12/32

Flagpoles

References

Informative references

Attention is drawn to the following places, which may be of interest for search:

Flags, banners, mountings therefor	G09F 17/00
------------------------------------	----------------------------

E04H 12/34

Arrangements for erecting or lowering towers, masts, poles, chimney stacks, or the like

Definition statement

This place covers:

Arrangements for casting in situ concrete towers or the like;

Arrangements for stacking tower sections on top of each other;

Arrangements for lifting tower sections for placing additional sections under them;

Arrangements for tilting up whole structures or sections thereof;

Arrangements for setting poles in the ground;

Arrangements for demolition towers or the like.

References

Informative references

Attention is drawn to the following places, which may be of interest for search:

Elevators	B66D
Devices for erecting masts or poles	B66F
Erecting methods for wind motors	F03D 13/10
Hoisting or lowering devices for lighting poles	F21V 21/36

E04H 13/00

Monuments; Tombs; Burial vaults; Columbaria

Definition statement

This place covers:

Accessories for grave sites, e.g. liners, covers, vault lowering devices;

Funeral monuments, grave sites curbing or markers not making part of vaults;

Ventilation systems for tombs and burial vaults;

Columbaria, mausoleum with frontal access to vaults;

Memorials for cremation ashes.

References

Informative references

Attention is drawn to the following places, which may be of interest for search:

Coffins, urns	A61G 17/00
Sculpture or other artistic features	B44

E04H 14/00

Buildings for combinations of different purposes not covered by any single one of main groups [E04H 1/00-E04H 13/00](#) of this subclass, e.g. for double purpose ([E04H 3/02](#), [E04H 9/06](#) take precedence); Buildings of the drive-in type

References

Limiting references

This place does not cover:

Hotels; Motels; Coffee houses; Restaurants; Shops; Department stores	E04H 3/02
Structures arranged in or forming part of buildings	E04H 9/06

E04H 15/00

Tents or canopies, in general

Definition statement

This place covers:

Hunting, fishing huts or the like;

Bathing or beach cabins;

Tents used as toys;

Tents or tent-like constructions composed partially of rigid panels;

Tents combined or specially associated with other devices, e.g. of suspended type, partially supported by vehicles;

Heating, lighting aspects for tents. Ventilating of tents and of tent roofs;

Tents having plural sectional covers, e.g. pavilions, vaulted tents, marquees, circus tents, plural tents, e.g. modular;

Inflatable tents;

Cone shaped tents;

Centre-pole supported tents, e.g. umbrella type tents;

Convertible tents, e.g. from one type to another type tent, from tent to canopy, from tent cover into diverse articles;

Definition statement

Parts, components, construction details, accessories, interior equipment, specially adapted for tents, e.g. guy-line equipment, skirts, thresholds;

Supporting means for tents, e.g. frames;

Covers, floors, closures, awnings sunshades;

Poles;

Pegs, stakes or the like;

Tent or canopy cover fastenings, e.g. the fixing members being a beading, the fixing members being locked by an additional locking member or the longitudinal recesses being made from two clamping members.

References

Informative references

Attention is drawn to the following places, which may be of interest for search:

Small buildings erected in open air	E04H 1/1205
Holders for posts or poles to be driven into the ground	E04H 12/2215
Umbrellas and umbrella details	A45B 23/00 , A45B 25/00
Travelling or camp articles	A45F 3/00 , A45F 4/00
Sacks or packs convertible into tents	A45F 4/04
Coats or capes convertible into tent coverings	A45F 4/14
Beds per se	A47C
Beach towels	A47G 9/062
Amusement arrangements	A63G 31/00
Connection of valves to inflatable elastic bodies	B60C 29/00
Trailer-type vehicles or caravans with foldable or readily disassembled living accommodation comprising flexible elements	B60P 3/341
Sunshades, awnings, screens in general	E04F 10/00
Inflatable forms for making walls or the like	E04G 11/04
Devices for fastening or securing general constructional elements or machine parts together	F16B
Lighting	F21
Heating or ventilating	F24

Special rules of classification

Use [E04H 2015/201](#) - [E04H 2015/205](#) to classify different constructional aspects of the inflatable tents.

Use [E04H 2015/326](#) to classify the frame members connected by elastic cords and [E04H 2015/328](#) to classify the frames erected solely by guy lines.

E04H 15/04

suspended type, e.g. from trees or from cantilever supports

References**Informative references**

Attention is drawn to the following places, which may be of interest for search:

Supporting frames	E04H 15/34
-------------------	----------------------------

E04H 15/10

Heating, lighting or ventilating

References**Informative references**

Attention is drawn to the following places, which may be of interest for search:

Heating, lighting or ventilating devices per se, see the relevant classes, e.g.	F21 , F24
---	---

E04H 15/20

inflatable, e.g. shaped, strengthened or supported by fluid pressure

References**Informative references**

Attention is drawn to the following places, which may be of interest for search:

Connection of valves to inflatable elastic bodies	B60C 29/00
Inflatable forms for making walls, floors, ceilings or roofs in situ	E04G 11/04

E04H 15/30

convertible, e.g. from one type tent to another type tent, from tent to canopy or from tent cover into diverse articles

References**Informative references**

Attention is drawn to the following places, which may be of interest for search:

Sacks or packs convertible into tents	A45F 4/04
Coats or capes convertible into tent coverings	A45F 4/14

E04H 15/34

Supporting means, e.g. frames

Definition statement

This place covers:

Tent frames of arch-shaped type, expansible, e.g. extensible in a fan type manner, flexible and foldable;

External type frames, i.e. outside cover, also with flexible supporting means;

Collapsible, e.g. breakdown type, having connecting nodes, telescoping and foldable, foldable, i.e. having pivoted or hinged means, of lazy-tong type or characterised by connecting arches with lazy-tongues, of parallelogram type.

References

Informative references

Attention is drawn to the following places, which may be of interest for search:

Small garages in the form of an overhead canopy and small garages of the hinged, foldable or otherwise movable type	E04H 6/025 , E04H 6/04
Devices for fastening or securing general constructional elements or machine parts together	F16B

E04H 15/44

collapsible, e.g. breakdown type ([E04H 15/42](#) takes precedence)

References

Limiting references

This place does not cover:

External type, e.g. frame outside of cover	E04H 15/42
--	----------------------------

Informative references

Attention is drawn to the following places, which may be of interest for search:

Building structures having collapsible parts in general	E04B 1/343
---	----------------------------

E04H 15/54

Covers of tents or canopies

References

Informative references

Attention is drawn to the following places, which may be of interest for search:

Ventilated tent roofs	E04H 15/16
-----------------------	----------------------------

E04H 17/00

Fencing, e.g. fences, enclosures, corrals (features peculiar to electrified fences [A01K 3/00](#), [H05C](#); means for allowing passage through fences, barriers, or the like [E06B 11/00](#))

Definition statement

This place covers:

Anti-climbing devices, e.g. fixed or rotary spikes;

Wire fencing;

Fences constructed of rigid elements;

Fences using prefabricated panel-like elements;

Posts for fences and anchoring means therefore;

Devices for erecting and removing fences

References

Limiting references

This place does not cover:

Features peculiar to electrified fences	A01K 3/00 , H05C
Means for allowing passage through fences, barriers, or the like	E06B 11/00

Informative references

Attention is drawn to the following places, which may be of interest for search:

Struts for masts	E04H 12/20
Sockets for posts entering the ground	E04H 12/22
Props, stays for agriculture	A01G 17/14
Devices for preventing or obstructing access or passage of birds	A01M 29/32
Wire nettings	B21F 27/00
Devices for fastening or securing general constructional elements or machine parts together	F16B
Turnbuckles	F16G 11/12

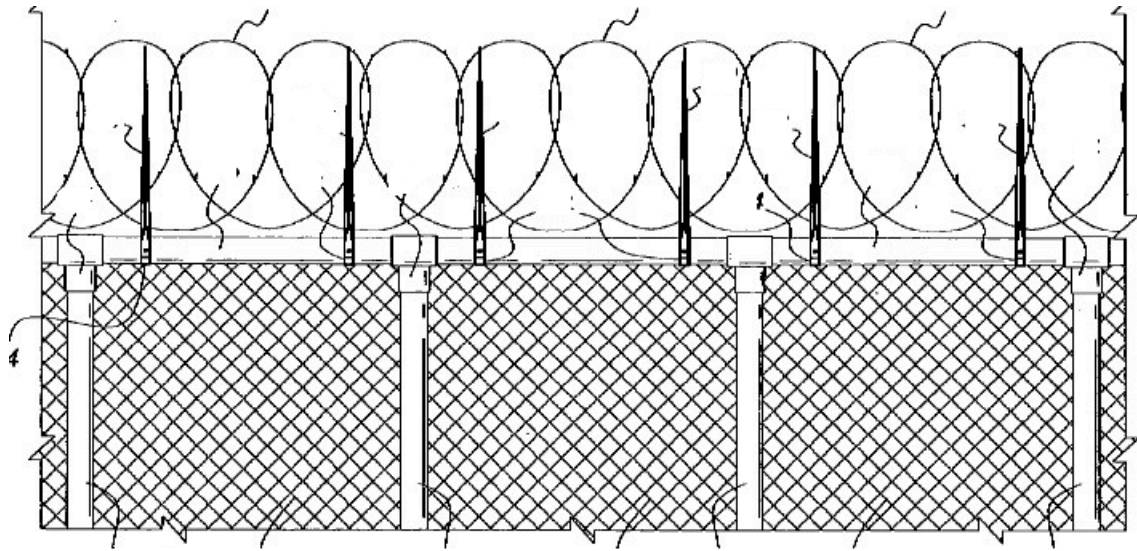
E04H 17/003

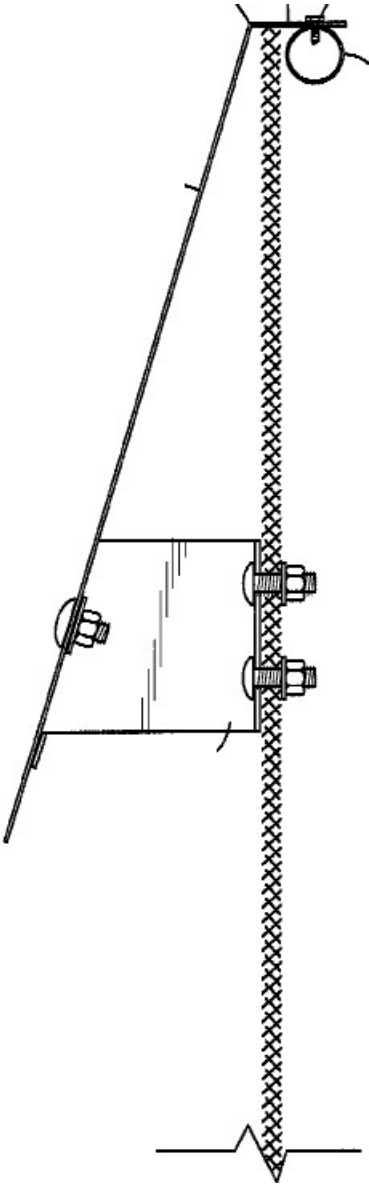
{Anti-climbing devices, e.g. fixed spikes}

Definition statement

This place covers:

Illustrative example of subject matter classified in this group.





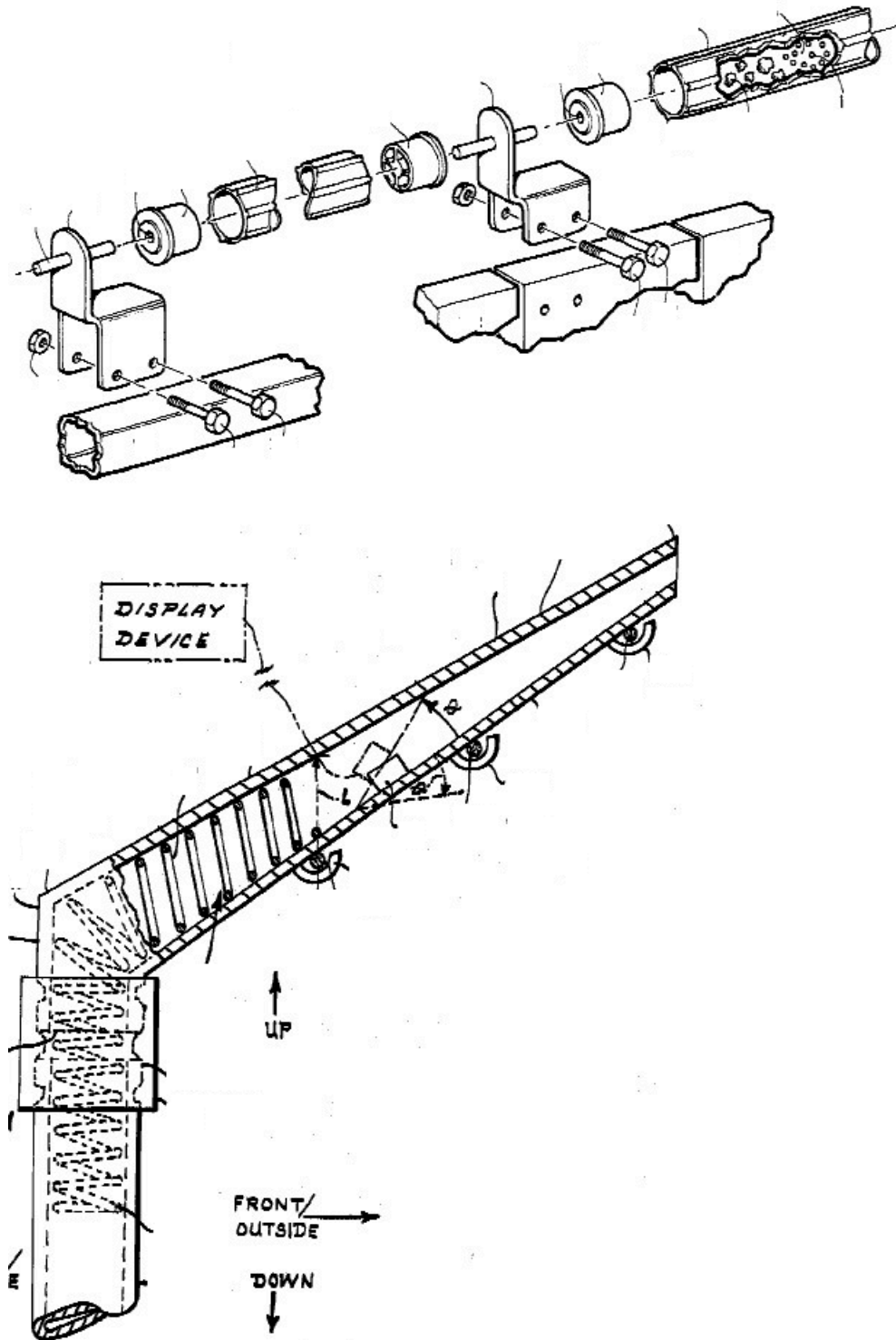
E04H 17/004

{Unstable, e.g. rotatory or resiliently mounted fence panels, spikes}

Definition statement

This place covers:

Illustrative example of subject matter classified in this group.



E04H 17/017

{Fencing provided with electric elements or components, e.g. fencing member or component, such as fence strands, post, panel or rail, provided with electric elements or components}

Definition statement

This place covers:

Electrified wire fencing for any use or application.

Relationships with other classification places

[A01K 3/005](#), electrified wire fencing for pasturing equipment, should be considered at all times since the subject matter overlaps.

E04H 17/02

Wire fencing, e.g. made of wire mesh ([E04H 17/14](#) takes precedence)

Definition statement

This place covers:

Wire mesh fencing.

Relationships with other classification places

[A01K 3/00](#), pasturing equipment, should be considered at all times since the subject matter overlaps.

References

Limiting references

This place does not cover:

Fences constructed of rigid elements, e.g. with additional wire fillings or with posts	E04H 17/14
--	----------------------------

Informative references

Attention is drawn to the following places, which may be of interest for search:

Working or processing of wire, e.g. making wire nets	B21F , e.g. B21F 27/00
--	--

E04H 17/04

characterised by the use of specially adapted wire, e.g. barbed wire {, wire mesh, toothed strip or the like; Coupling means therefor}

Definition statement

This place covers:

Wire fencing including barbed wire, wire mesh, toothed strips, or the like for any use or application.

Relationships with other classification places

[A01K 3/00](#), pasturing equipment, should be considered at all times since the subject matter overlaps.

E04H 17/08

Anchoring means therefor, e.g. specially-shaped parts entering the ground;
Struts or the like

References**Informative references**

Attention is drawn to the following places, which may be of interest for search:

Side-supporting means for towers or masts	E04H 12/20
Sockets for posts	E04H 12/22

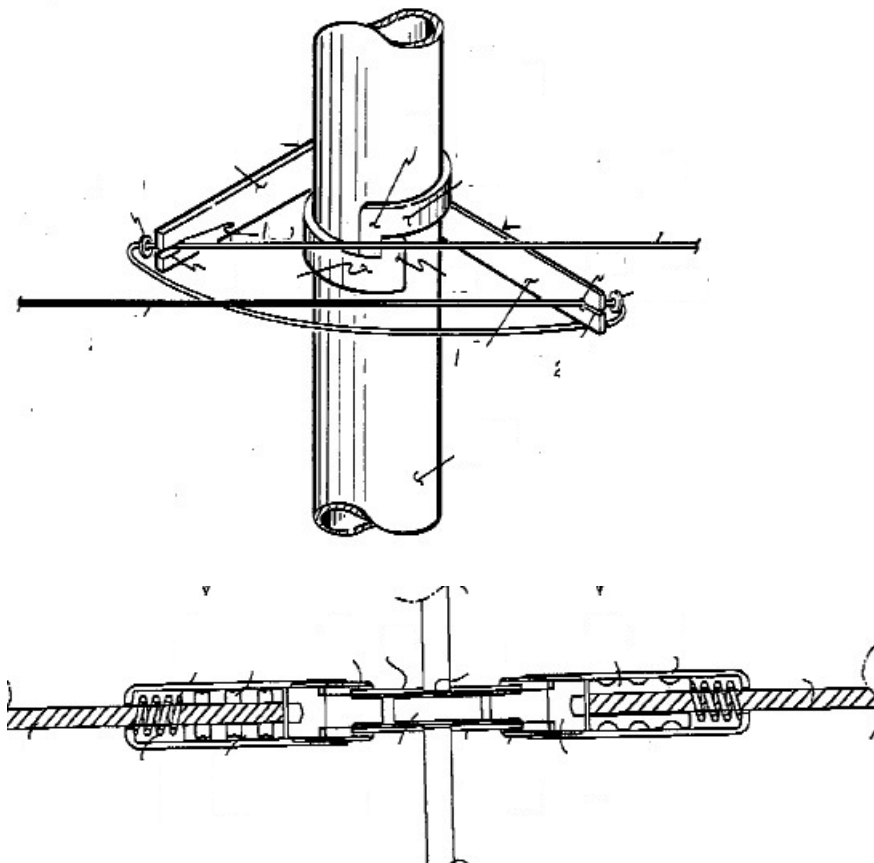
E04H 17/131

{the wire being tensioned by one or more springs}

Definition statement

This place covers:

Illustrative example of subject matter classified in this group.



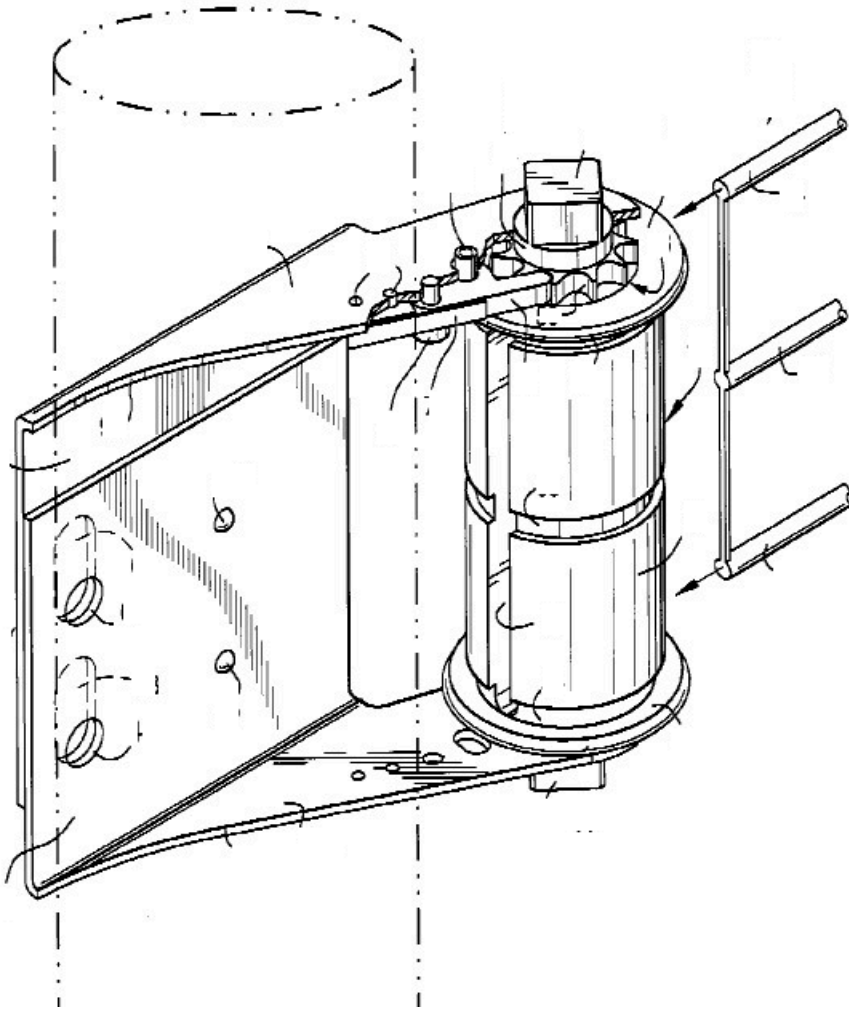
E04H 17/135

{winder fixed to post via a bracket}

Definition statement

This place covers:

Illustrative example of subject matter classified in this group.



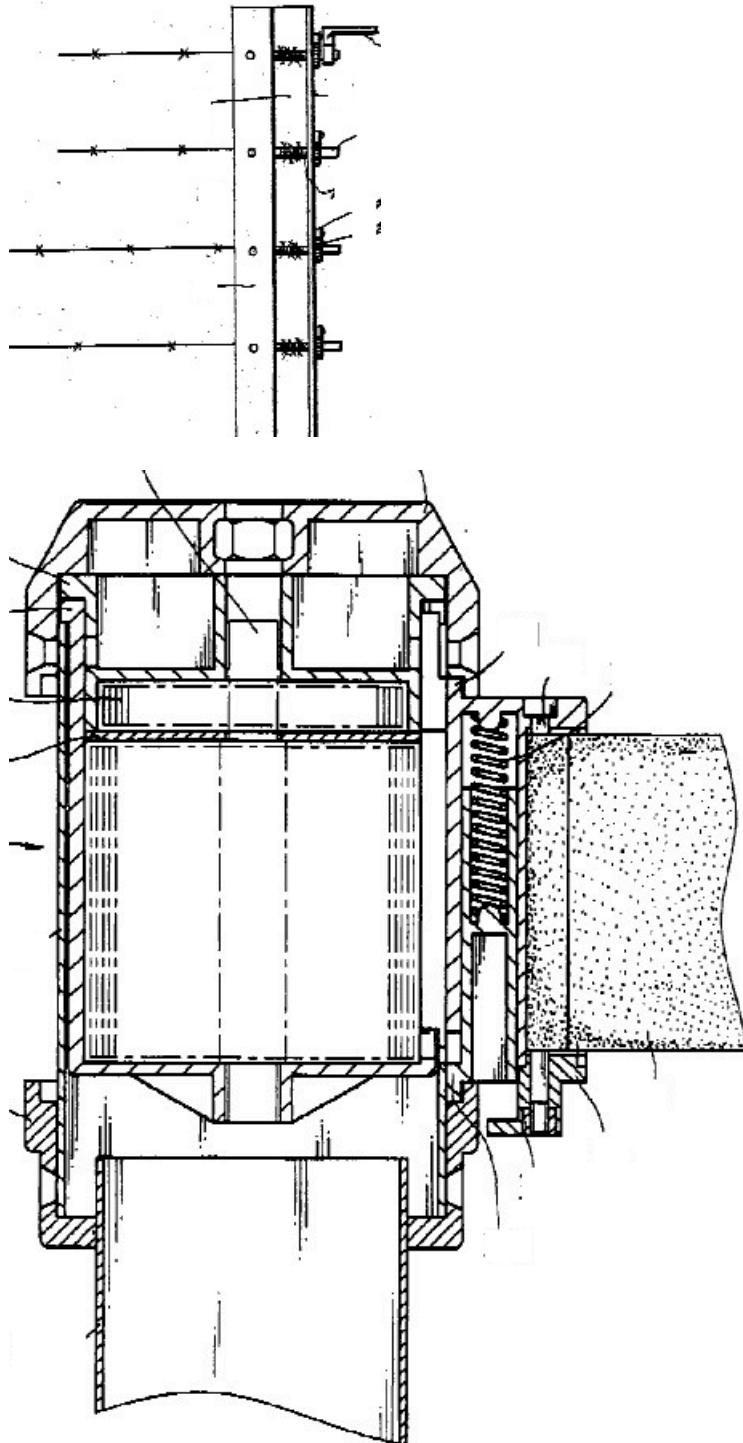
E04H 17/139

{winder internal to post}

Definition statement

This place covers:

Illustrative example of subject matter classified in this group.



E04H 17/14

Fences constructed of rigid elements, e.g. with additional wire fillings or with posts

Definition statement

This place covers:

Fences made of building blocks or of woven slats;

Post and rail fences with or without vertical cross-members and connections between rail and post for such fences;

Picket fences with pickets attached to the side or going through the horizontal members connections between the horizontal members and post for such fences;

Fences using prefabricated panel-like elements, e.g. panels or wired panels with or without frame, with cross members, fitted in grooves of posts;

Corrals;

Posts for frames and anchoring means therefore;

Connections for attaching additional wire to frames, posts or railings

References

Informative references

Attention is drawn to the following places, which may be of interest for search:

Safety devices for pool	E04H 4/06
Sockets for posts entering the ground	E04H 12/22
Arrangements for absorbing or reflecting air-transmitted noise from road or railway traffic	E01F 8/00
Arrangements for obstructing or restricting traffic	E01F 13/00
Removable non-load-bearing partitions	E04B 2/74
Handrails, balusters	E04F 11/00
Devices for fastening or securing general constructional elements or machine parts together	F16B

Special rules of classification

See [E04H 17/006](#) to classify the caps for posts, [E04H 17/1445](#) to classify the fences with pivotable slats for reduced wind resistance or for adjusting visibility, [E04H 17/1447](#) - [E04H 17/1488](#) to classify the different details of the connections between rails and posts.

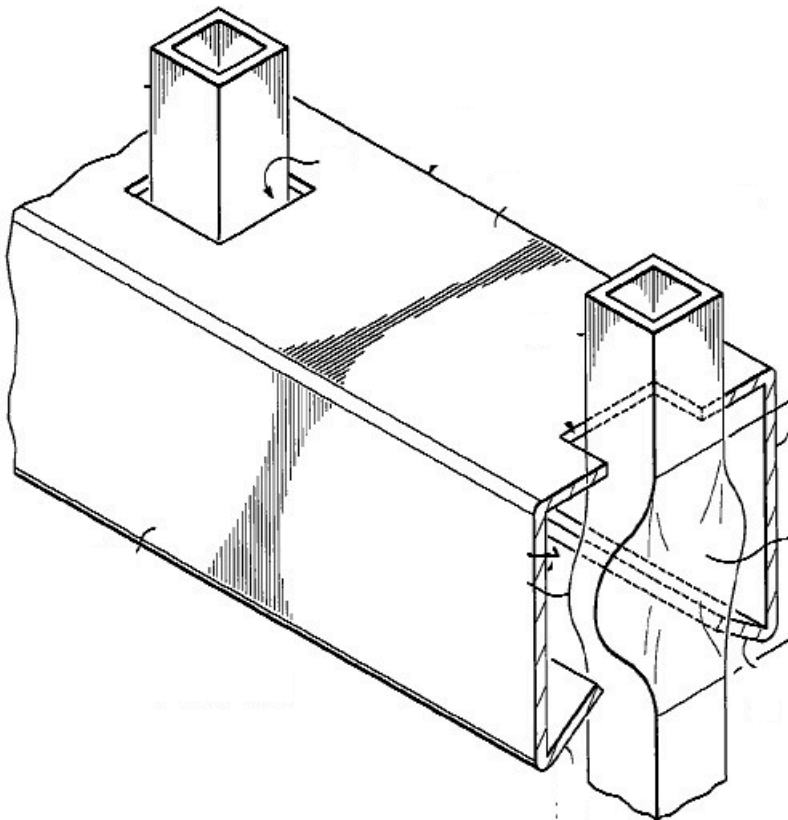
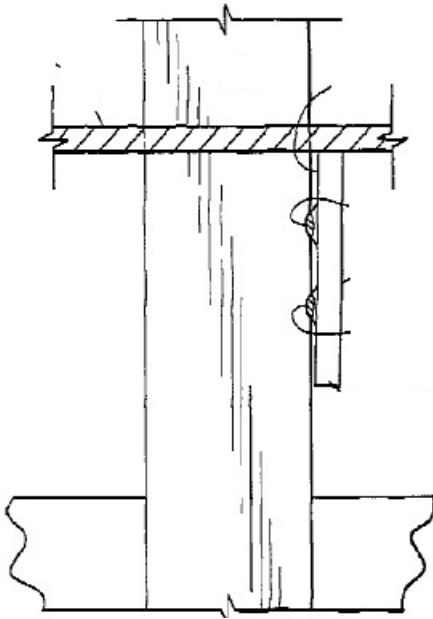
E04H 17/145

{being welded, bonded or deformed in-situ}

Definition statement

This place covers:

Illustrative example of subject matter classified in this group.



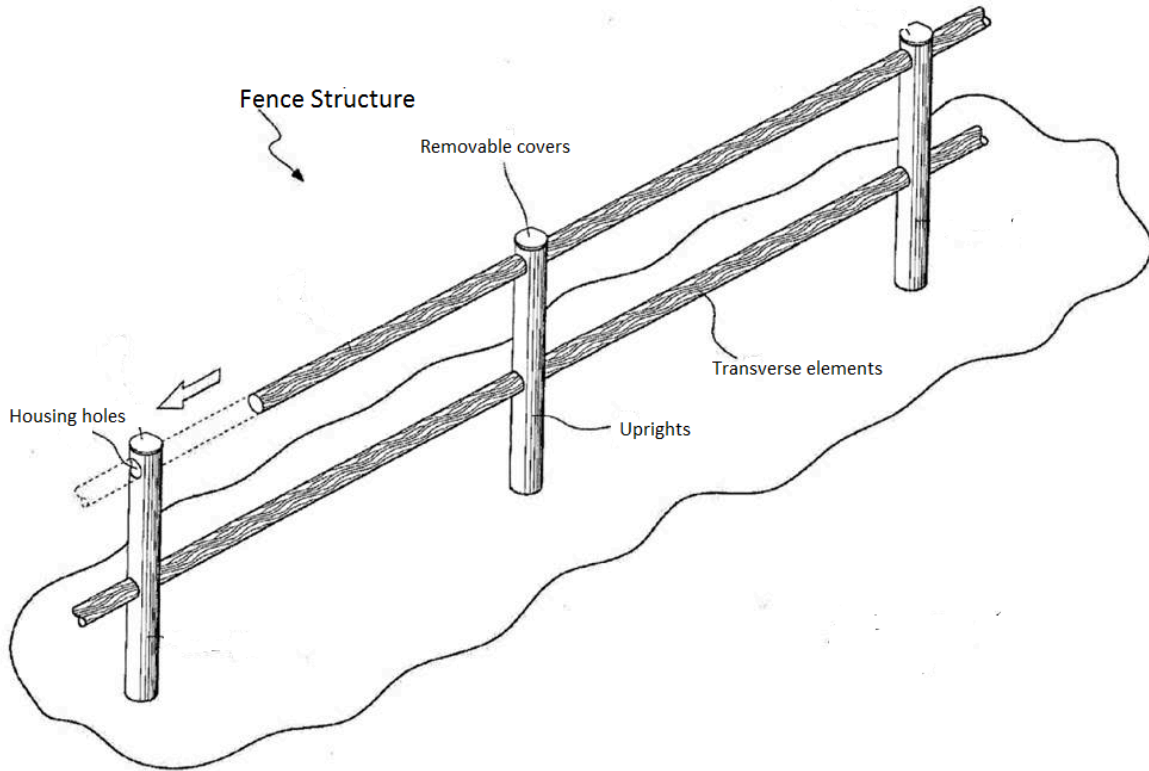
E04H 17/1465

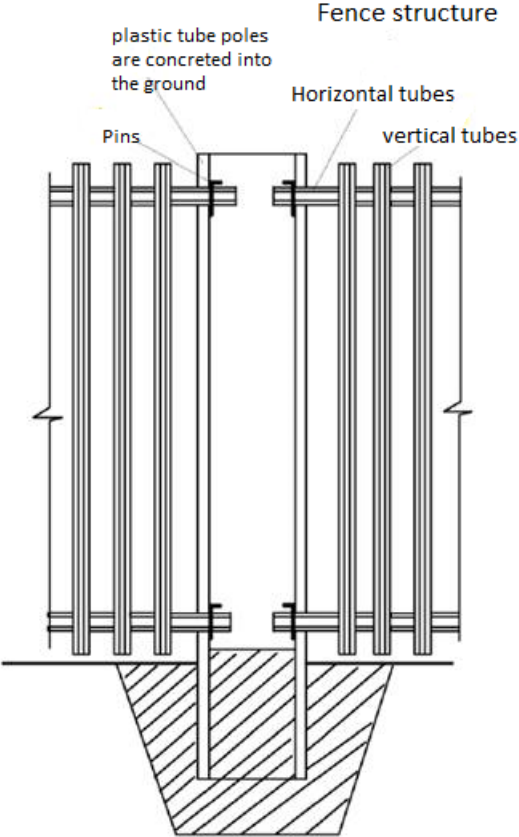
{the rails being supported within blind or through holes of the posts}

Definition statement

This place covers:

Illustrative example of subject matter classified in this group.





E04H 17/1478

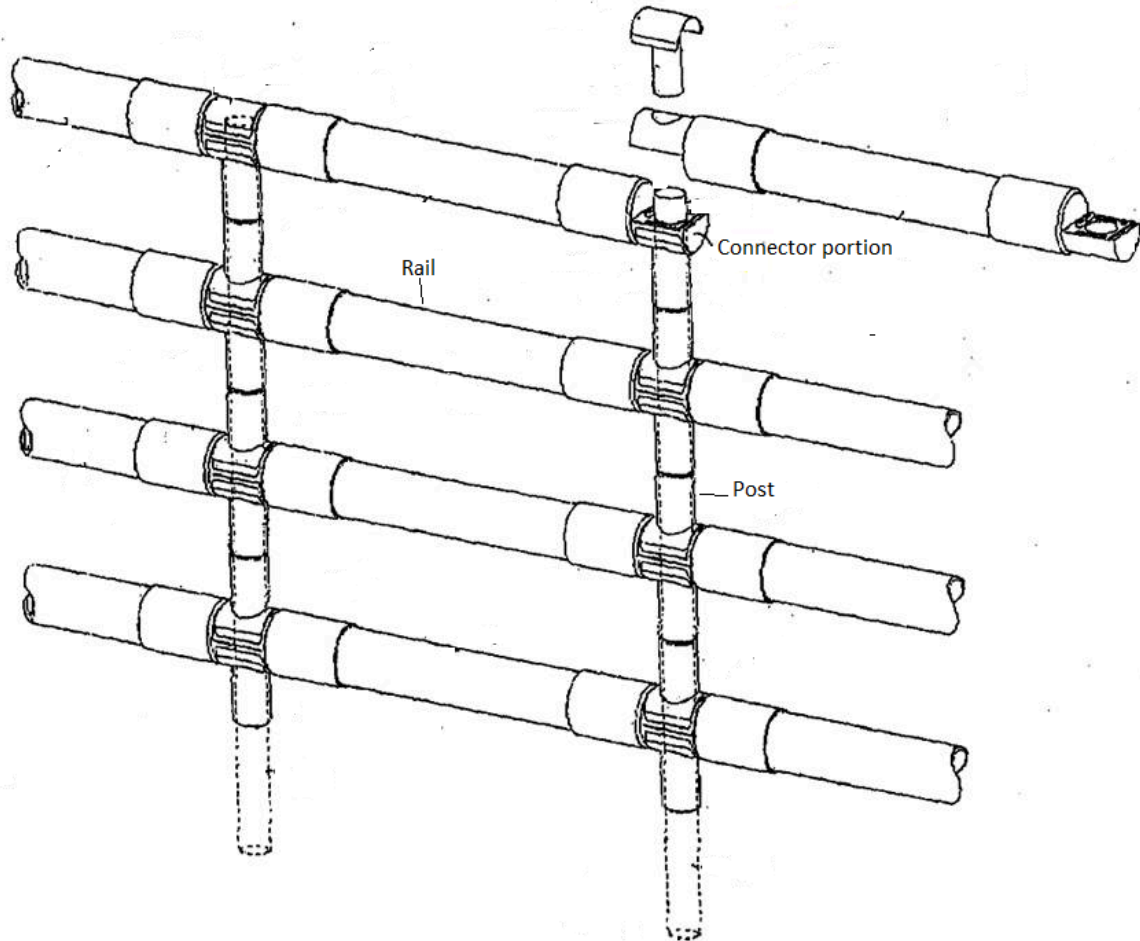
{the posts extending through apertures or cut-outs in the rails}

Definition statement

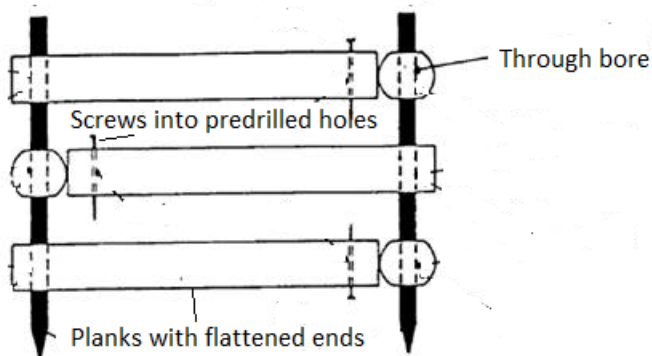
This place covers:

Illustrative example of subject matter classified in this group.

Modular Fence System (Post and Rail type)



Fence Kit for garden and landscape design



E04H 17/164

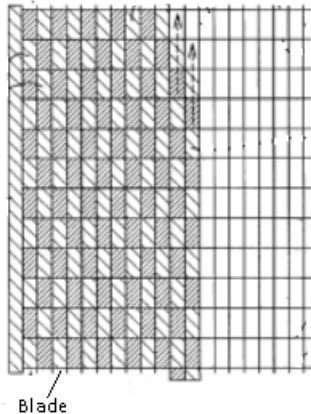
{occultation devices therefor, e.g. slats, fence liners or panels blocking view therethrough}

Definition statement

This place covers:

Illustrative example of subject matter classified in this group.

Occultation Insert for wire panel



E04H 17/22

Anchoring means therefor, e.g. specially-shaped parts entering the ground; Struts or the like

References

Informative references

Attention is drawn to the following places, which may be of interest for search:

Side-supporting means for towers or masts	E04H 12/20
Sockets for posts	E04H 12/22

E04H 17/26

Devices for erecting or removing fences

Definition statement

This place covers:

Devices for post and wire handling, e.g. for erecting, for removing posts or for stretching or winding wire or wire mesh;

Hand tools for winding fences, e.g. tying or splicing tools.

Relationships with other classification places

Documents disclosing pile driving should be classified in [E02D 7/00](#).

Removing sheets piles bulkheads, piles, mould-pipes or other moulds belong to [E02D 9/00](#).

References

Informative references

Attention is drawn to the following places, which may be of interest for search:

Hand-operated hammers having the impact head in form of a sleeve slidable on a shaft	B25D 1/16
Devices for lifting or lowering bulky or heavy goods	B66F