

## F16M

### FRAMES, CASINGS OR BEDS OF ENGINES, MACHINES OR APPARATUS, NOT SPECIFIC TO ENGINES, MACHINES OR APPARATUS PROVIDED FOR ELSEWHERE; STANDS; SUPPORTS

#### Definition statement

*This place covers:*

Frames, casings, beds for machines or engines not otherwise provided for in the classification. The machines or engines are attached to the frames, casings or beds in order to provide stability to the machines or engines, and also to make easier the use, the handling and the transportation of the machines or engines. This subclass also covers stands or support for one or more articles not otherwise provided for in the classification. The stands or supports can lie on the floor, can be attached to another object, can be attached to a human body, or can be attached to the wall or the ceiling. The object attached is held or resting steady on the support or stand and can also possibly move relatively to the surface on which the support is attached or lies thanks to the different degrees of freedom that the support of stand allows.

#### References

##### Informative references

*Attention is drawn to the following places, which may be of interest for search:*

Furniture in general	<a href="#">A47B</a>
Desk provided with computers	<a href="#">A47B 21/007</a>
Book or Notebook rest holder	<a href="#">A47B 23/042</a>
Chairs, sofas, beds	<a href="#">A47C</a>
Support to show or support objects in shops, restaurants etc.	<a href="#">A47F</a> , <a href="#">A47F 3/00</a> , <a href="#">A47F 5/00</a> , <a href="#">A47F 7/00</a>
Support to hang frames and mirrors	<a href="#">A47G 1/16</a>
Support for Christmas trees	<a href="#">A47G 33/12</a>
Support for medical instrument	<a href="#">A61B 90/00</a>
Dental work stand	<a href="#">A61G 15/14</a>
Stand for blood infusion device	<a href="#">A61M 5/1414</a>
Support for laboratory devices	<a href="#">B01L 9/00</a>
Supports for painting articles	<a href="#">B05B 13/0285</a> , <a href="#">B25H 1/0007</a>
Tool support for machine tools	<a href="#">B23Q 1/25</a>
XY translation tables	<a href="#">B23Q 1/54</a>
Holding, supporting or positioning device removable from a machine tools	<a href="#">B23Q 3/00</a>
Work benches, portable stands	<a href="#">B25H 1/00</a>
Storage means for tools or instruments	<a href="#">B25H 3/00</a>
Seat for vehicles	<a href="#">B60N 2/00</a>
Arrangements for holding or mounting articles in a vehicle	<a href="#">B60R 11/00</a>
Lifting means provided on a vehicle	<a href="#">B60S 9/00</a>
Dolly	<a href="#">B62B 3/00</a>

Lifting Jacks	<a href="#">B66F 1/06</a>
Camera dolly	<a href="#">B66F 11/048</a>
Foldable scaffold	<a href="#">E04G 1/34</a>
Structure allowing erecting telescopic mast	<a href="#">E04H 12/18</a>
Sockets or holder for poles or posts	<a href="#">E04H 12/22</a>
Device for locking portable objects	<a href="#">E05B 73/00</a> , <a href="#">A47F</a>
Fixation means	<a href="#">F16B</a>
Support for lighting devices	<a href="#">F21V 21/00</a>
Support for ventilation/heating/air-conditioning systems	<a href="#">F24F 13/32</a>
Solar panel supports	<a href="#">F24S 25/00</a>
Support for measuring arrangements	<a href="#">G01B 5/0002</a>
Supports specially adapted for a measuring instrument or a set of measuring instruments	<a href="#">G01D 11/30</a>
Supports for optical elements (telescopes, periscopes)	<a href="#">G02B 23/16</a>
Accessories (support) for cameras	<a href="#">G03B 17/56</a>
Projectors and accessories	<a href="#">G03B 21/00</a>
Constructional details of laptops	<a href="#">G06F 1/1601</a>
Surveillance camera	<a href="#">G08B 13/196</a>
Arrangements for displaying variable information	<a href="#">G09F</a>
Supports for musical instruments	<a href="#">G10G 5/00</a>
Supports for measuring instruments	<a href="#">G12B 5/00</a> , <a href="#">G12B 9/00</a>
Antenna supports	<a href="#">H01Q 1/00</a>
Supports for electric motor	<a href="#">H02K 5/00</a>
Support for solar panel	<a href="#">H02S 20/00</a>
Casings for radio	<a href="#">H04B 1/08</a>
Supports for phones	<a href="#">H04M 1/02</a>
Constructional details of display screens (television)	<a href="#">H04N 5/64</a>
Video projectors	<a href="#">H04N 5/7475</a>
Accessories for video cameras for television	<a href="#">H04N 23/00</a>
Supports for loudspeaker	<a href="#">H04R 1/02</a>
Supports for microphones	<a href="#">H04R 1/08</a>
Details of casings for electric apparatus	<a href="#">H05K 5/00</a>

## F16M 1/00

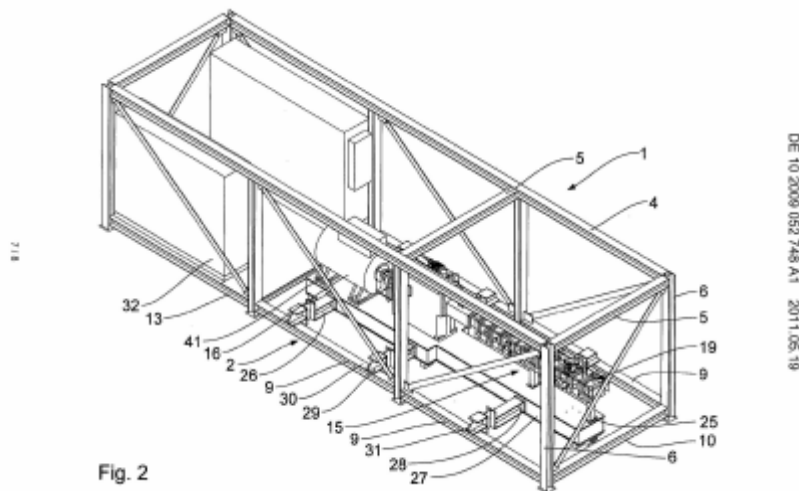
### Frames or casings of engines, machines or apparatus; Frames serving as machinery beds

#### Definition statement

*This place covers:*

This group concerns frames or casings for machines or engines or the like, in order to make easier handling, transportation, fixation or use of the machines or engines or the like.

Illustrative example of subject matter classified in this group: DE102009052748



#### References

##### Informative references

Attention is drawn to the following places, which may be of interest for search:

Chassis frames in vehicles	<a href="#">B62D 21/00</a>
----------------------------	----------------------------

## F16M 1/02

### for reciprocating engines or similar machines

#### Definition statement

*This place covers:*

Crankcase or casings for reciprocating engines in general. If the crankcase is used in relation with a special type of engine (e.g. internal combustion engine) then it has to be classified in the specific domain and not in [F16M 1/02](#).

#### References

##### Limiting references

*This place does not cover:*

Casings for internal combustion engines	<a href="#">F02F 7/00</a>
---	---------------------------

**F16M 1/022**

of tunnel type, i.e. wherein the crankshaft can only be introduced axially (for engines or machines with star-shaped cylinder arrangement [F16M 1/023](#))

**References****Informative references**

Attention is drawn to the following places, which may be of interest for search:

Engines or machines with star-shaped cylinder arrangement	<a href="#">F16M 1/023</a>
---	----------------------------

**F16M 1/04**

for rotary engines or similar machines

**Definition statement**

*This place covers:*

Crankcase or casings for rotary engines in general. If the crankcase is used in relation with a special type of engine, then it has to be classified in the specific domain and not in [F16M 1/02](#).

**References****Informative references**

Attention is drawn to the following places, which may be of interest for search:

Electrical and mechanical couplings	<a href="#">H01R 13/00</a>
-------------------------------------	----------------------------

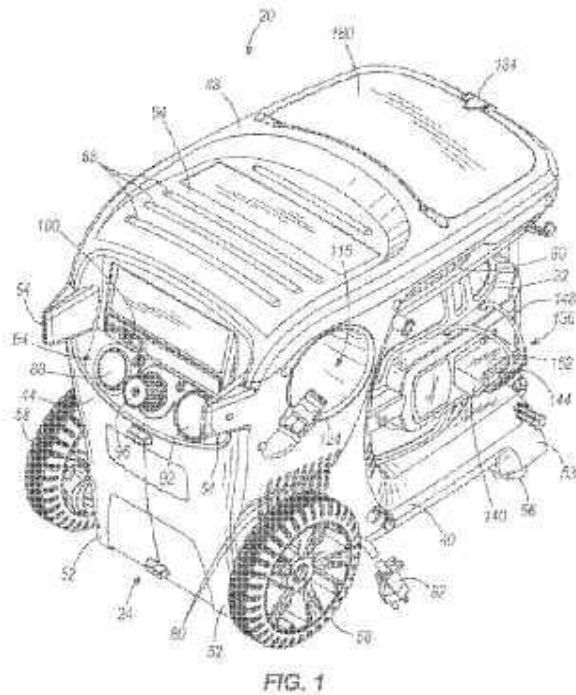
## F16M 3/00

Portable or wheeled frames or beds, e.g. for emergency power-supply aggregates, compressor sets (construction of vehicles in general [B60](#) - [B62](#))

### Definition statement

*This place covers:*

Illustrative example of subject matter classified in this group: EP0976967



### References

#### Informative references

Attention is drawn to the following places, which may be of interest for search:

Construction of vehicles in general	<a href="#">B60- B62</a>
Portable electric generator	<a href="#">F02B 63/04</a>
Mobile piston pumps	<a href="#">F04B 35/06</a>

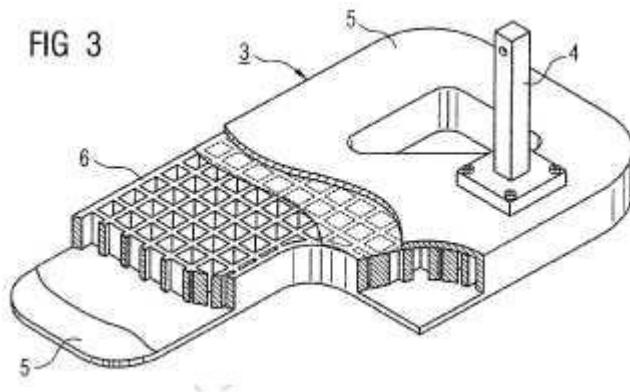
## F16M 5/00

Engine beds, i.e. means for supporting engines or machines on foundations

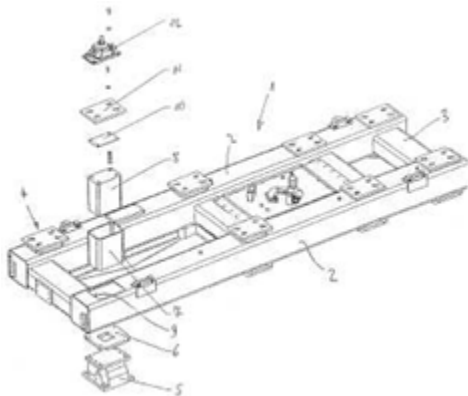
### Definition statement

*This place covers:*

Illustrative example of subject matter classified in this group: EP1832799



and: US2005263669



### References

#### Informative references

Attention is drawn to the following places, which may be of interest for search:

Machine beds	<a href="#">B23Q 1/015</a>
Supports for engines in vehicles	<a href="#">B60K 5/12</a>

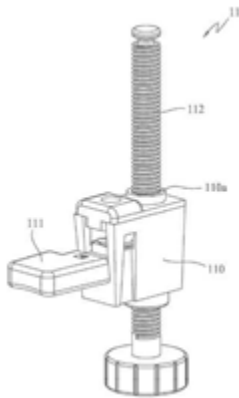
## F16M 7/00

Details of attaching or adjusting engine beds, frames, or supporting-legs on foundation or base; Attaching non-moving engine parts, e.g. cylinder blocks (elastic or equivalent mounting for absorbing vibrations [F16F](#), especially [F16F 15/04](#))

### Definition statement

*This place covers:*

Illustrative example of subject matter classified in this group: US2009032654



### References

#### Informative references

*Attention is drawn to the following places, which may be of interest for search:*

Levelling devices for furniture	<a href="#">A47B 91/02</a>
Supports for engines in vehicles	<a href="#">B60K 5/12</a>
Supporting arrangements for washing machines	<a href="#">D06F 39/125</a>
Elastic or equivalent mounting for absorbing vibrations	<a href="#">F16F</a> , <a href="#">F16F 15/04</a>

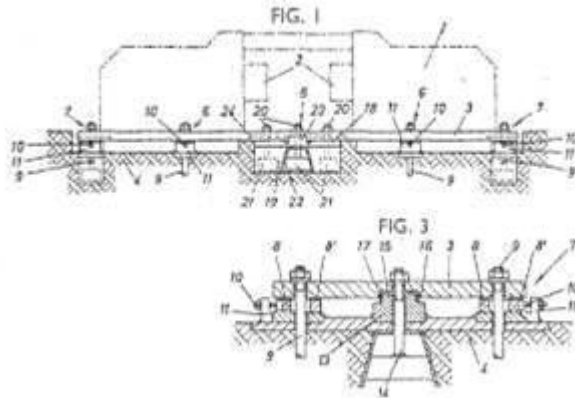
## F16M 9/00

Special layout of foundations with respect to machinery to be supported  
(foundations for machinery [E02D 27/44](#))

### Definition statement

*This place covers:*

Illustrative example of subject matter classified in this group: GB1440426



### References

#### Informative references

Attention is drawn to the following places, which may be of interest for search:

Foundations for machinery	<a href="#">E02D 27/44</a>
---------------------------	----------------------------

## F16M 11/00

Stands or trestles as supports for apparatus or articles placed thereon {;  
Stands for scientific apparatus such as gravitational force meters} (without  
heads [F16M 13/00](#); easels or stands for blackboards or the like [A47B 97/04](#);  
show-stands [A47F 7/00](#); for workmen [E04G 1/32](#); {sockets or holders for  
poles or posts [E04H 12/22](#);} supporting or suspending for lighting devices  
[F21V 21/00](#))

### Definition statement

*This place covers:*

[F16M 11/00](#) and [F16M 13/00](#) and the depending lower groups are used to classify the features in relation:

- With the place where the support is to be fixed, attached or rests;
- With the movements of the object that the support allows.

### References

#### Informative references

Attention is drawn to the following places, which may be of interest for search:

Easels or stands for blackboard or the like	<a href="#">A47B 97/04</a>
Show-stands	<a href="#">A47F 7/00</a>



## Informative references

For workmen	<a href="#">E04G 1/32</a>
Sockets or holders for poles or posts	<a href="#">E04H 12/22</a>
Supporting, suspending for lighting devices	<a href="#">F21V 21/00</a>

### Special rules of classification

[F16M 11/00](#) should not be used to classify any documents, because if a document fits in [F16M 11/00](#), there is a more relevant class in one of the subgroups of [F16M 11/00](#) or in Indexing Code [F16M 2200/08](#). It is in

this relevant subgroup or Indexing Code that the document should be classified.

[F16M 2200/00](#) is used to classify other type of features than the one of [F16M 11/00](#) or [F16M 13/00](#).

The following method should be followed to classify a document under [F16M 11/00](#), [F16M 13/00](#), [F16M 2200/00](#) and the depending lower groups.

The following items should be first identified:

- The stand or support (S),
- The apparatus (A) to be supported,
- The surface or the object (F) on or to which the support S should be fixed, attached or rest.

-Once these items are identified, two portions of the support should be then identified:

- The head: includes the means for attachment of the apparatus A and when existing, the first cinematically independent joint assembly directly attached to the latter.
- The undercarriage: includes everything making up the stand S under the head but not including this one.

-Then the first feature to be classified is where the support S should be fixed, attached or rest. This can be done after having identified the surface or object F defined before:

- If the support S is attached or fixed to a wall, a post, a ceiling or another object then the support S should be classified in [F16M 13/02](#) or a depending lower group;
- If the support S is meant to support a handheld apparatus A, a class should be given in [F16M 13/00](#), [F16M 13/005](#) or [F16M 13/04](#);
- If the support S is meant to be attached or held by a person , [F16M 13/04](#) should be given;
- If the support S is connected to an arrangement for propelling the support, e.g. dolly with wheels, camera moving on a cable or on rails, it should be classified in [F16M 11/42](#) and the depending lower groups;
- If none of these cases are verified (e.g. for a stand simply resting on the floor), it is not necessary to classify this feature. If details of the foot or base of the stand or support are interesting (constructional feature, cable arrangement...) [F16M 2200/08](#) should be given. The fact that only groups in [F16M 11/00](#) and depending lower groups will be given to a document means that this one will rest on the floor, and cannot be attached or fixed to an other object or wall or ceiling or person body..

-Then, the movements allowed by the head and the means of attachment of the apparatus A with the support S should be classified in [F16M 11/02](#) and the depending lower groups.

-Then, the movements allowed by the undercarriage should be classified in [F16M 11/20](#) and the depending lower groups.

-The additional relevant information should also be classified in the parallel scheme [F16M 2200/00](#) or in the groups [F16M 11/16](#), [F16M 11/18](#).

Additional remarks:

- If it is not clear how the support is to be used, e.g. no clear orientations in the space and therefore a precise definition of the movement can be done then general groups should be given.
- If the product to be supported is not described and therefore the head can not be defined, only classes for the undercarriage should be given.

## **F16M 11/02**

### **Heads**

#### **Definition statement**

*This place covers:*

Means for attachment of an apparatus and when existing, the first cinematically independent joint assembly directly attached to the latter.

Particular case: If the support only consist of the connection and no movement of the object to be supported is allowed by the support once attached, then the head will be the attachment and the rest of the support is an undercarriage.

## **F16M 11/04**

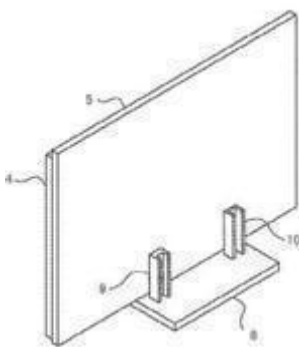
**Means for attachment of apparatus; Means allowing adjustment of the apparatus relatively to the stand**

#### **Definition statement**

*This place covers:*

The supports which do not allow any movement of the apparatus to be supported and which allow a permanent connection of the apparatus e.g. by screws, this connection is considered as being the head. Then the undercarriage (monolithic bloc not allowing any movements) should be classified in [F16M 11/22](#) and eventually in [F16M 2200/08](#) in case of other special features of the foot or base stand.

Illustrative example: JP2010175998

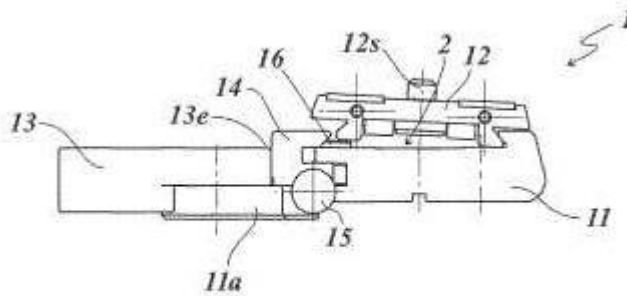


#### **Special rules of classification**

Balancing means should be classified in the new scheme in [F16M 2200/04](#) and lower dependent groups and arms: in [F16M 2200/06](#) lower dependent groups

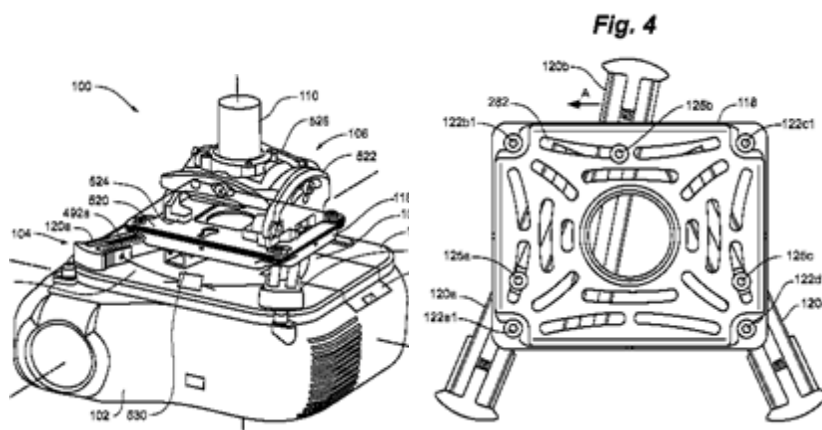
**F16M 11/041****{Allowing quick release of the apparatus}****Definition statement***This place covers:*

Illustrative example of subject matter classified in this group: ep2196720

**Fig. 7****F16M 11/043****{Allowing translations}****Definition statement***This place covers:*

[F16M 11/043](#) should be used when the translation possible is not clearly defined with respect to the direction and that it is possible that the supports be positioned such that translation in all three directions is possible. If the support can only be used such that the translation is always a translation as defined in one of the dependent groups then this group should be given.

Illustrative example: EP2288960



## F16M 11/045

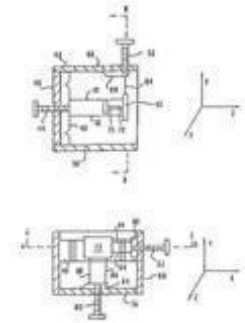
{adapted to left-right translation movement}

### Definition statement

*This place covers:*

Illustrative example of subject matter classified in this group:

Platform x-y: jp2297004



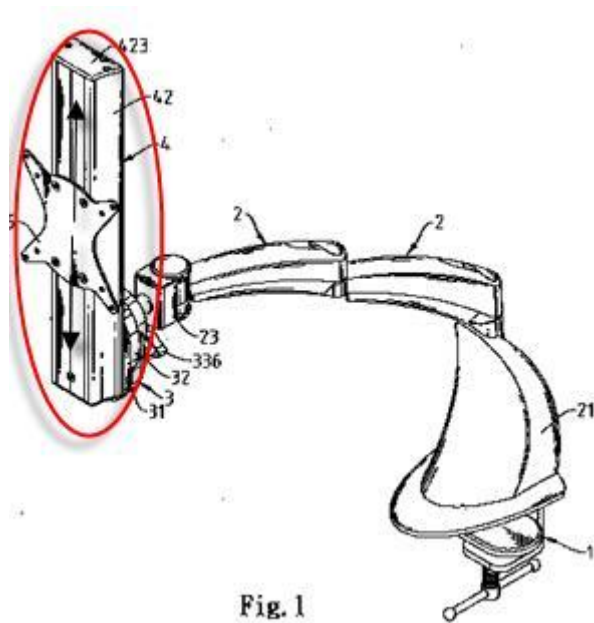
## F16M 11/046

{adapted to upward-downward translation movement}

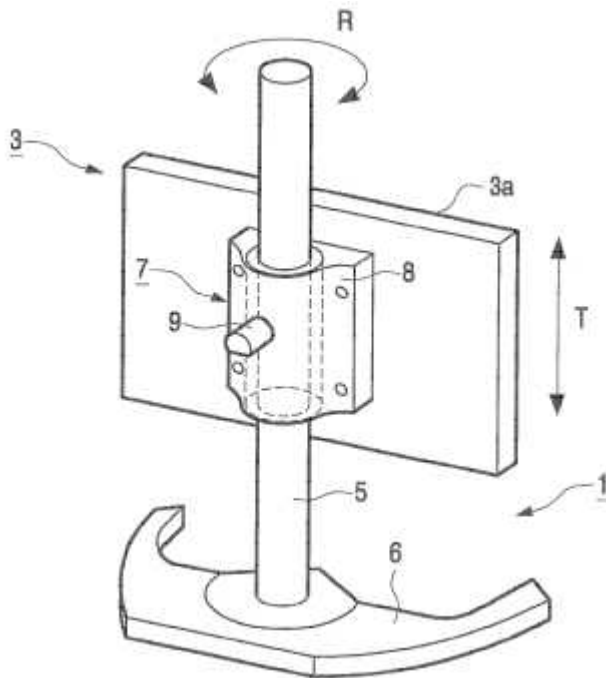
### Definition statement

*This place covers:*

Illustrative example of subject matter classified in this group: US2011108698



and: EP1570203



## F16M 11/048

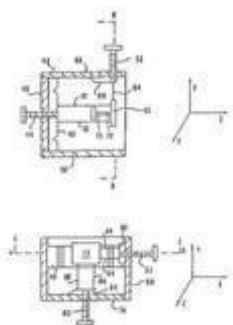
{adapted to forward-backward translation movement}

### Definition statement

*This place covers:*

Illustrative example of subject matter classified in this group:

Platform x-y: jp2297004



## F16M 11/06

allowing pivoting

### Definition statement

*This place covers:*

comprises heads which are generally described without any special applications and therefore not necessarily restricted to a rotation around a horizontal or a vertical axis.

## F16M 11/08

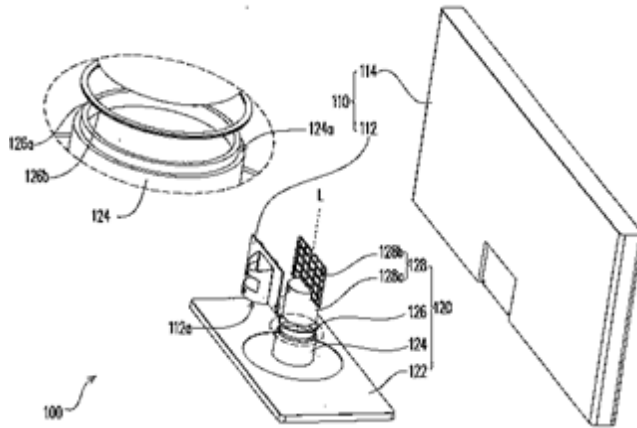
around a vertical axis {, e.g. panoramic heads (F16M 11/12 takes precedence)}

### Definition statement

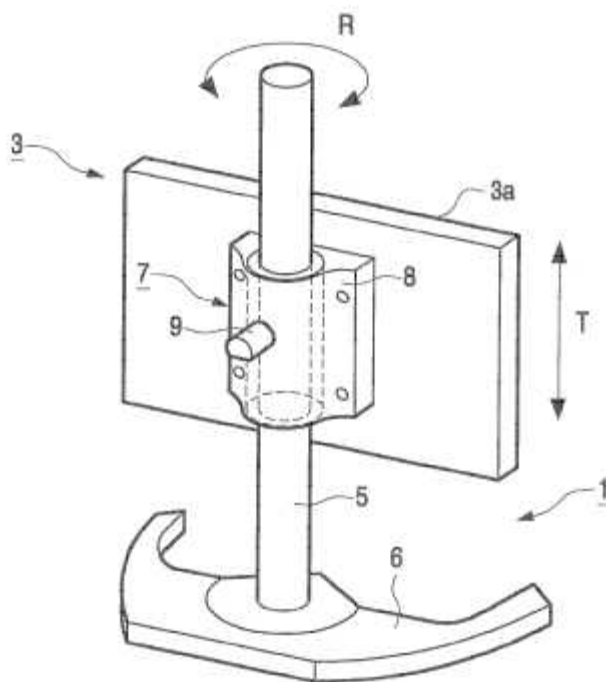
*This place covers:*

Illustrative example of subject matter classified in this group:

Pan: US2009073643



and: EP1570203



## F16M 11/10

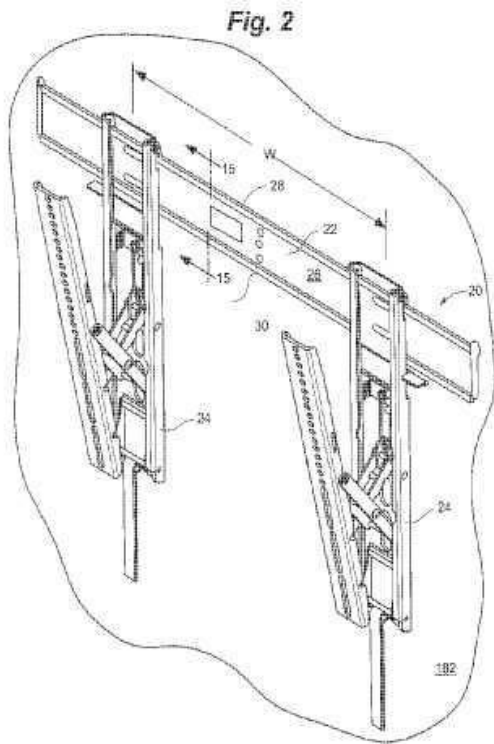
around a horizontal axis {(F16M 11/12 takes precedence)}

### Definition statement

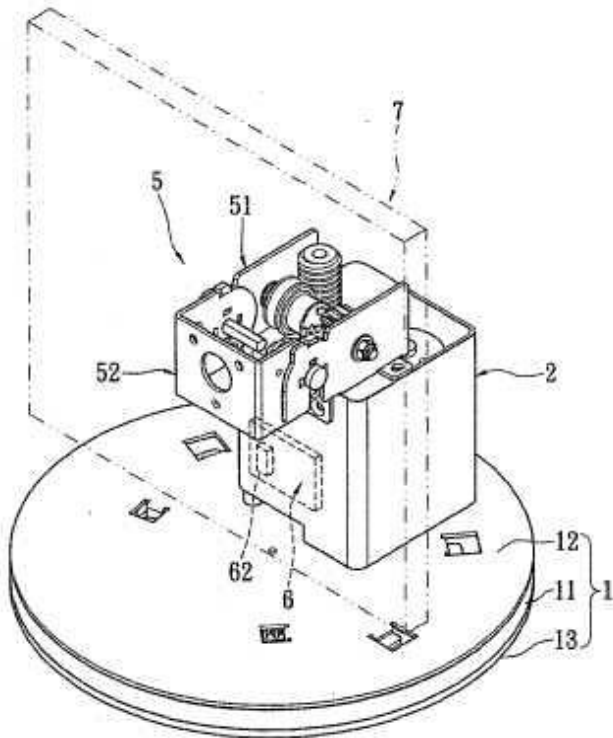
*This place covers:*

Only contains heads allowing tilting movement.

Illustrative examples of subject matter classified in this group: EP2329645



and: US2010193647



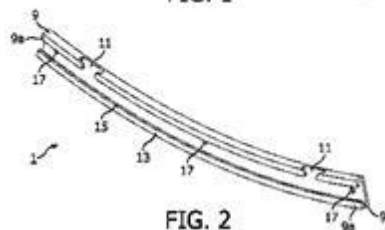
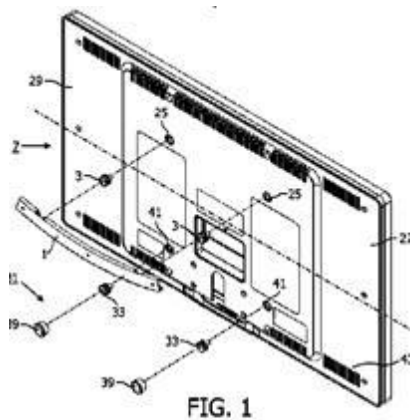
## F16M 11/105

{the horizontal axis being the roll axis, e.g. for creating a landscape-portrait rotation}

### Definition statement

*This place covers:*

Illustrative example of subject matter classified in this group: EP2307784





## F16M 11/12

in more than one direction

### Definition statement

*This place covers:*

Only the joints allowing tilting rolling and panning (the three possible rotations)

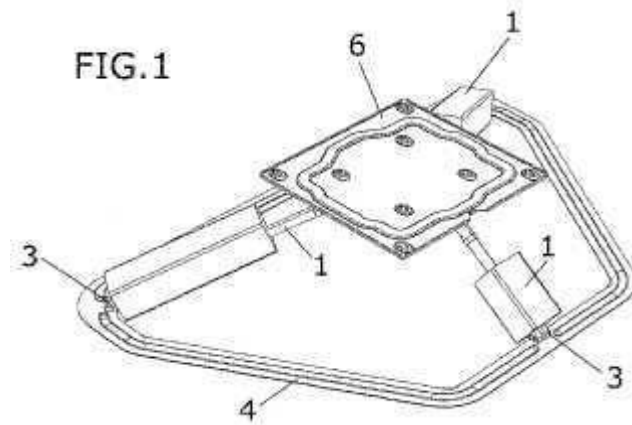
## F16M 11/121

{constituted of several dependent joints}

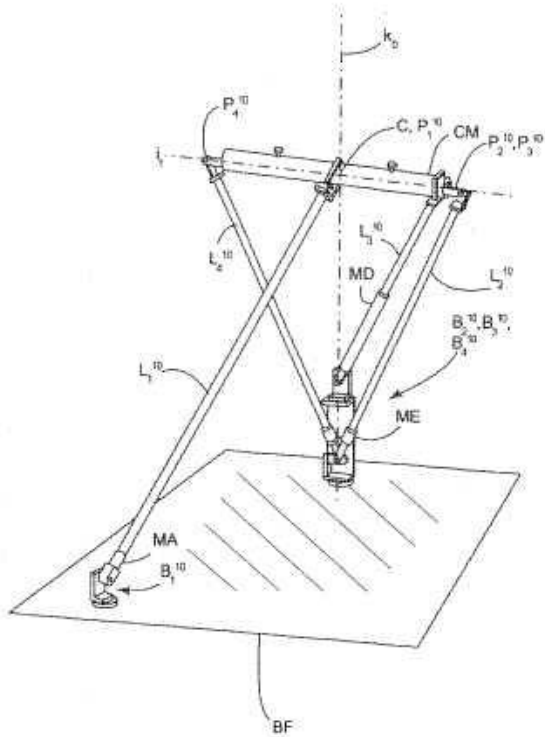
### Definition statement

*This place covers:*

Illustrative example of subject matter classified in this group: WO2010018241



and: US2008072699



### F16M 11/123

{the axis of rotation intersecting in a single point, e.g. by using gimbals}

#### Definition statement

*This place covers:*

Illustrative example of subject matter classified in this group: GB2469344

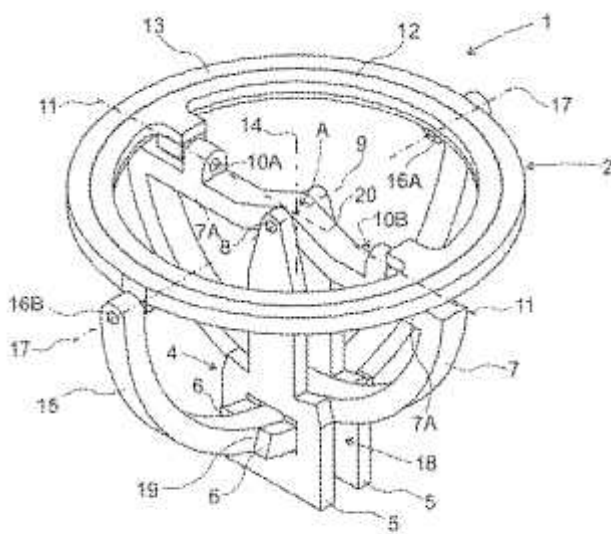


FIG 1

**F16M 11/125**

{for tilting and rolling ([F16M 11/14](#) takes precedence)}

**Special rules of classification**

[F16M 11/14](#) takes precedence

**F16M 11/126**

{for tilting and panning ([F16M 11/14](#) takes precedence)}

**Special rules of classification**

[F16M 11/14](#) takes precedence

**F16M 11/128**

{for panning and rolling ([F16M 11/14](#) takes precedence)}

**Special rules of classification**

[F16M 11/14](#) takes precedence

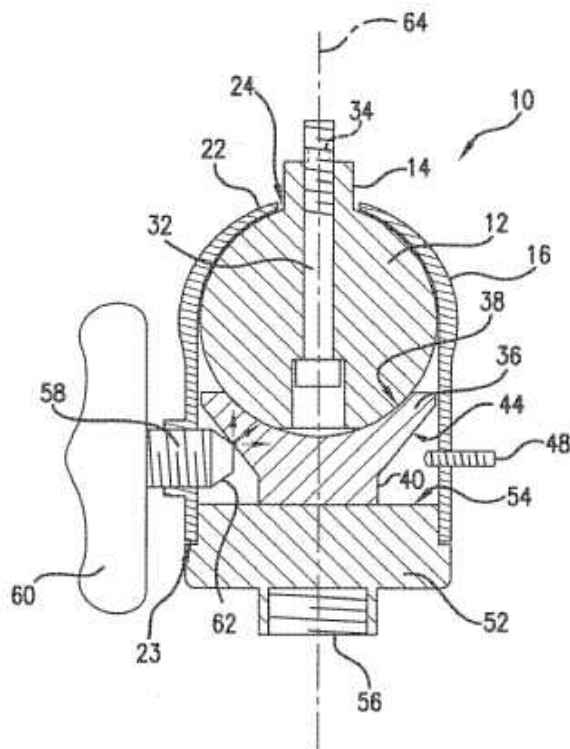
**F16M 11/14**

with ball-joint (ball-jointed hinges [F16C 11/06](#) {; adjustable mountings employing universal joints for lighting devices [F21V 21/26](#) - [F21V 21/30](#)})

**Definition statement**

*This place covers:*

Illustrative example of subject matter classified in this group: us2011020055



## References

### Informative references

Attention is drawn to the following places, which may be of interest for search:

Ball jointed hinges	<a href="#">F16C 11/06</a>
Adjustable mountings employing universal joints for lighting devices	<a href="#">F21V 21/26</a> - <a href="#">F21V 21/30</a>

### Special rules of classification

[F16M 11/14](#) takes precedence over [F16M 11/125](#), [F16M 11/126](#) and [F16M 11/128](#)

## F16M 11/20

### Undercarriages with or without wheels

#### Definition statement

*This place covers:*

Definition of undercarriage:

everything making up the stand under the head but not including this one (see definition of head in [F16M 11/02](#)).

## References

### Informative references

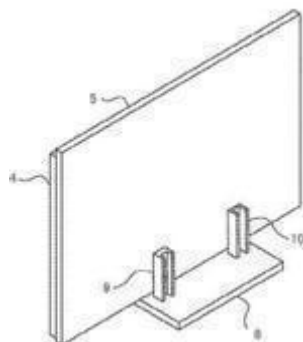
Attention is drawn to the following places, which may be of interest for search:

Lighting	<a href="#">F21V</a>
Supporting arrangements for lighting devices	<a href="#">F21V 21/00</a>

### Special rules of classification

[F16M 11/20](#) should not be used to classify any documents, because if a document fits in [F16M 11/20](#), there is a more relevant class in one of the subgroups of [F16M 11/20](#). It is in this relevant subgroup(s) that the document should be classified.

If the undercarriage is monolithic (not allowing any movement), it should be classified in [F16M 11/22](#) like e.g.: JP2010175998



## F16M 11/2007

{comprising means allowing pivoting adjustment}

### Definition statement

*This place covers:*

Undercarriages which are generally described without any special applications and therefore not necessarily restricted to a rotation around a horizontal or a vertical axis.

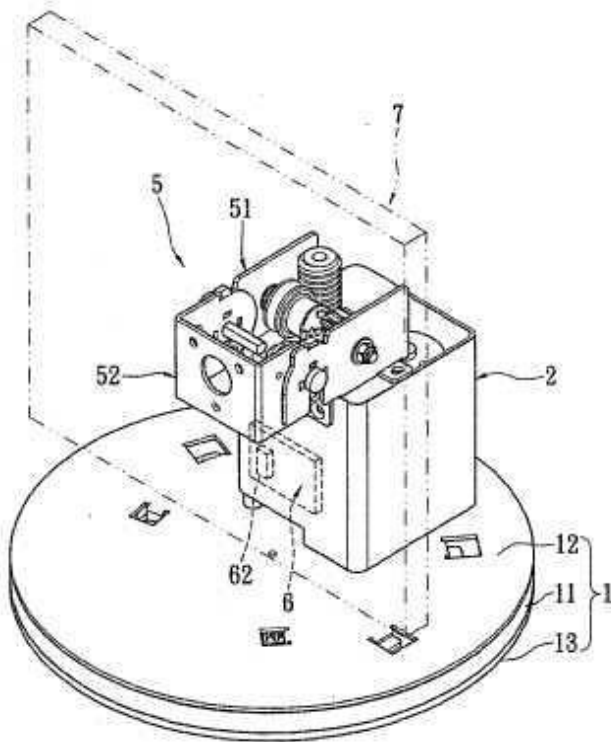
## F16M 11/2014

{around a vertical axis ([F16M 11/2035](#) takes precedence)}

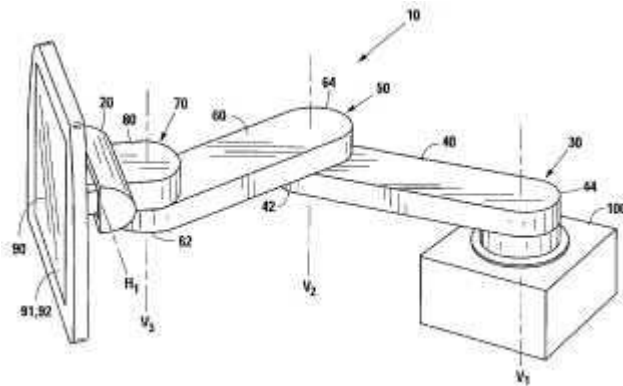
### Definition statement

*This place covers:*

Illustrative example of subject matter classified in this group: US2010193647



and: WO2008002728



### Special rules of classification

[F16M 11/2035](#) takes precedence

### F16M 11/2035

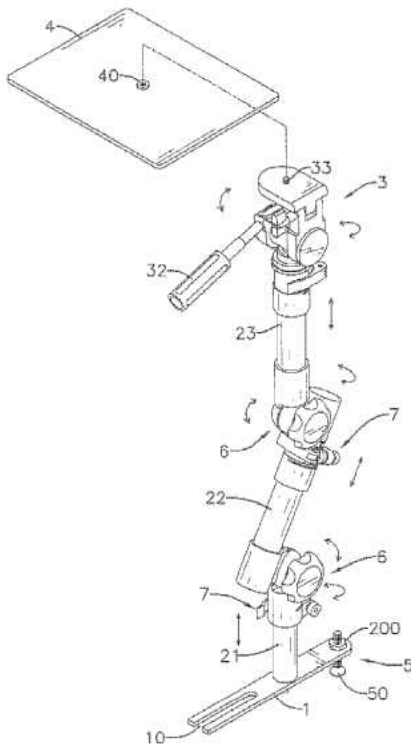
{in more than one direction}

### Definition statement

*This place covers:*

Contains the undercarriages constituted of several independent joints and/or allowing tilting, panning and rolling.

Illustrative example of subject matter classified in this group: US2007164176



### Special rules of classification

[F16M 11/2035](#) takes precedence over [F16M 11/2014](#) and [F16M 11/2021](#)

**F16M 11/2057**

{for tilting and rolling ([F16M 11/2078](#) takes precedence)}

**Special rules of classification**

[F16M 11/2078](#) takes precedence

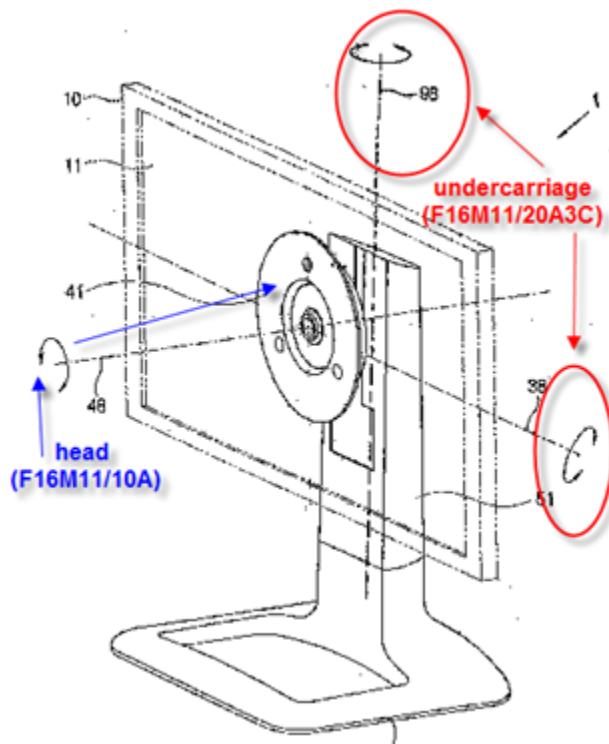
**F16M 11/2064**

{for tilting and panning ([F16M 11/2078](#) takes precedence)}

**Definition statement**

*This place covers:*

Illustrative example of subject matter classified in this group: US2007217134

**Special rules of classification**

[F16M 11/2078](#) takes precedence

**F16M 11/2071**

{for panning and rolling ([F16M 11/2078](#) takes precedence)}

**Definition statement**

*This place covers:*

[F16M 11/2078](#) takes precedence

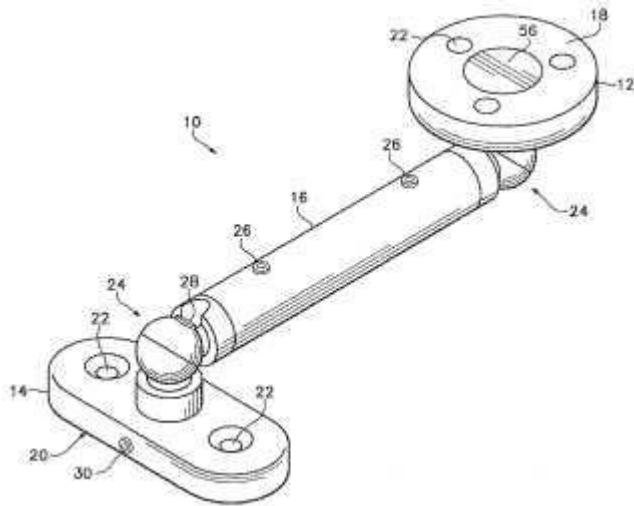
**F16M 11/2078**

{with ball-joint (ball-jointed hinges [F16C 11/06](#))}

**Definition statement**

*This place covers:*

Illustrative example of subject matter classified in this group: US2006237608

**References****Limiting references**

*This place does not cover:*

Ball-jointed hinges	<a href="#">F16C 11/06</a>
---------------------	----------------------------

**Special rules of classification**

[F16M 11/2078](#) takes precedence over [F16M 11/2057](#), [F16M 11/2064](#) and [F16M 11/2071](#)



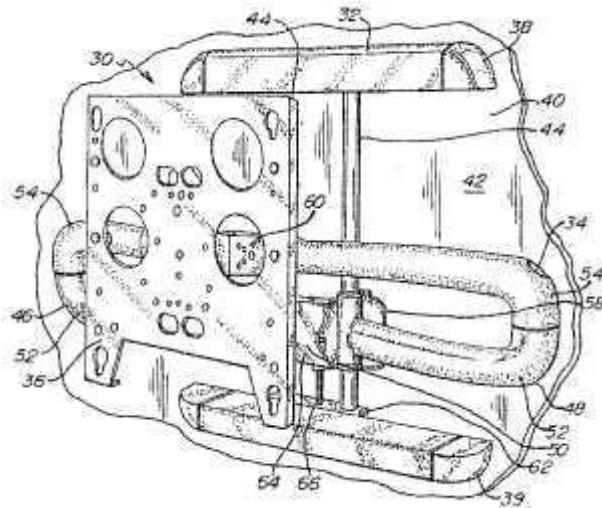
## F16M 11/2092

{comprising means allowing depth adjustment, i.e. forward-backward translation of the head relative to the undercarriage}

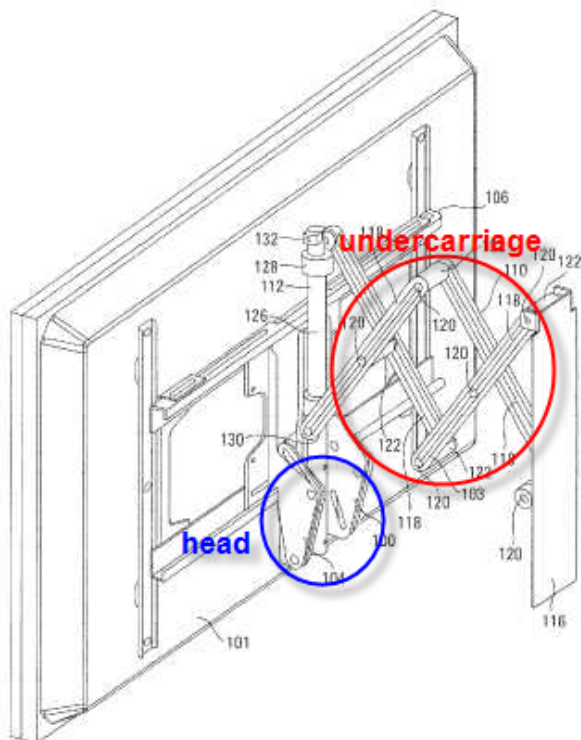
### Definition statement

*This place covers:*

Illustrative example of subject matter classified in this group: EP2108180



and: US2009050763



## F16M 11/22

with approximately constant height, e.g. with constant length of column or of legs ([F16M 11/42](#) takes precedence)

### Special rules of classification

[F16M 11/42](#) takes precedence.

See also [F16M 11/00](#) and [F16M 11/20](#).

Here are supports with monolithic undercarriage not allowing any movement. Other details of this undercarriage should be classified under [F16M 2200/08](#).

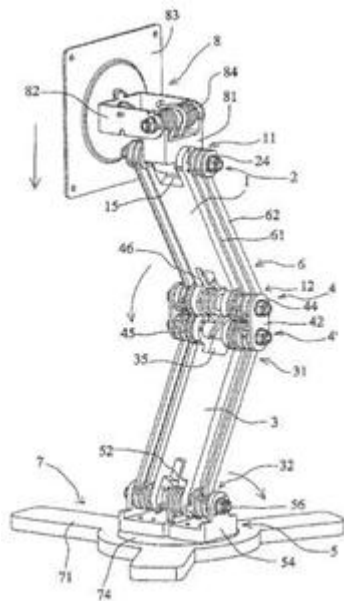
## F16M 11/24

changeable in height or length of legs, also for transport only, {e.g. by means of tubes screwed into each other} ([F16M 11/42](#) takes precedence)

### Definition statement

*This place covers:*

Illustrative example of subject matter classified in this group: US2008302926



## F16M 11/242

{by spreading of the legs ([F16M 11/32](#) takes precedence)}

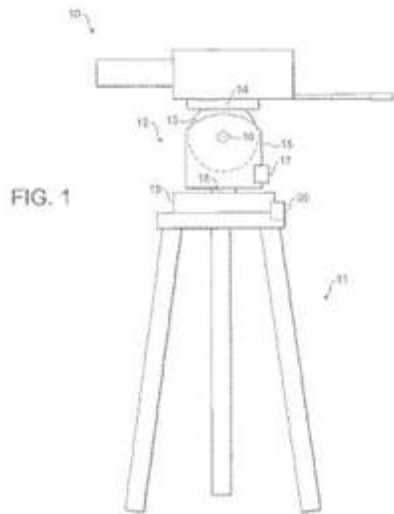
### Definition statement

*This place covers:*

Duopod or bipod, and supports having more than three legs not having telescopic legs.

Illustrative example

WO2009125194



### Special rules of classification

[F16M 11/32](#) takes precedence.

### F16M 11/245

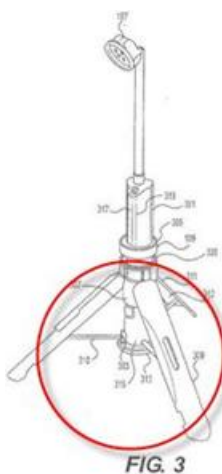
{Members limiting spreading of legs, e.g. "umbrella legs" (for supports with three or more telescoping legs [F16M 11/34](#))}

### Definition statement

*This place covers:*

Illustrative example of subject matter classified in this group

in the drawing of document EP2315552 here below, the circle is showing the "umbrella legs" construction.



### Special rules of classification

For supports with three or more telescoping legs: [F16M 11/34](#) takes precedence.

## F16M 11/247

{Members preventing slipping of the feet (for supports with three or more telescoping legs [F16M 11/36](#))}

### Special rules of classification

For supports with three or more telescoping legs: [F16M 11/36](#) takes precedence.

## F16M 11/26

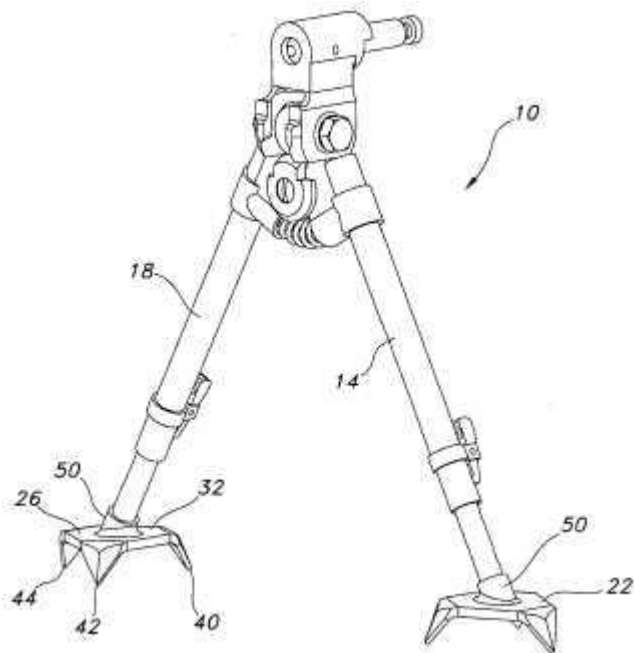
by telescoping, with or without folding (details concerning the constructional features of telescoping parts only [F16B 7/10](#))

### Definition statement

*This place covers:*

Contains bipod

Illustrative example:



### Relationships with other classification places

Locking of telescopic tubes: [F16B 7/10](#), [F16B 7/14](#), [F16B 7/16](#).

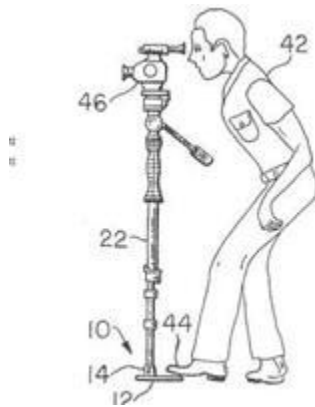
## F16M 11/28

### Undercarriages for supports with one single telescoping pillar

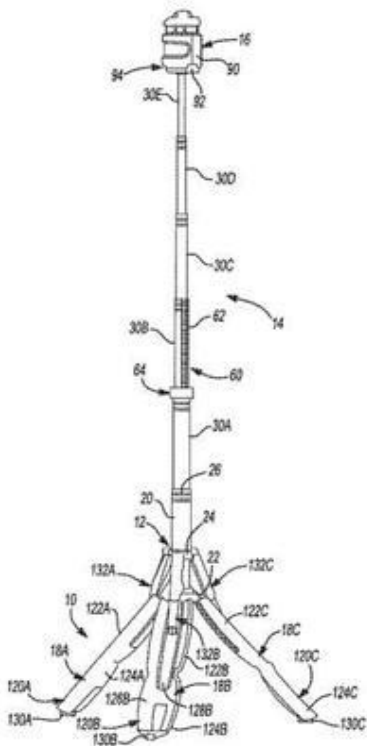
#### Definition statement

*This place covers:*

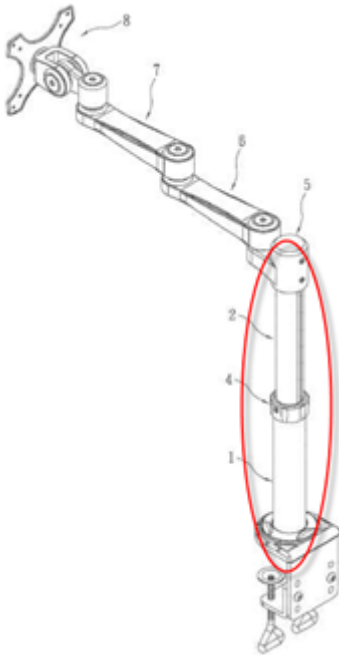
contains monopod (illustrative example: US5458306)



or stand having one single telescopic column. The foot can be a tripod (with telescopic legs or not) and the single telescopic column can be the central column. Example: US2005092878



and: US2011079692



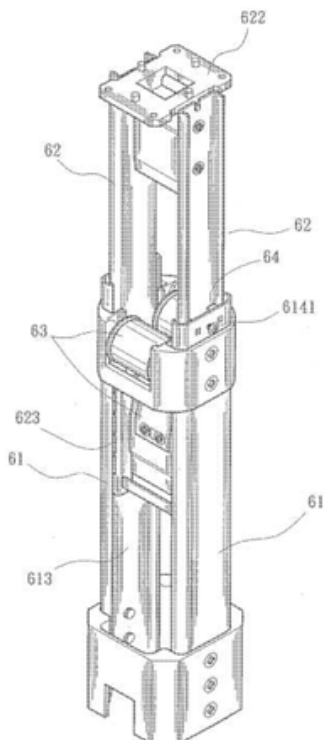
## **F16M 11/30**

**with co-moving side-struts**

### **Definition statement**

*This place covers:*

Illustrative example of subject matter classified in this group: US2008087775



## F16M 11/32

### Undercarriages for supports with three or more telescoping legs

#### Definition statement

*This place covers:*

Only tripod or supports having more than three legs and having telescopic legs as the title reads are classified here.

#### Special rules of classification

[F16M 11/32](#) takes precedence over [F16M 11/242](#)

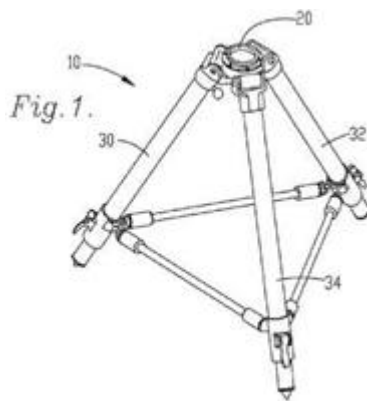
## F16M 11/34

### Members limiting spreading of legs {, e.g. "umbrella legs"}

#### Definition statement

*This place covers:*

Illustrative example of subject matter classified in this group: WO2010111544



#### Special rules of classification

[F16M 11/34](#) takes precedence over [F16M 11/245](#)

## F16M 11/36

### Members preventing slipping of the feet

#### Special rules of classification

[F16M 11/36](#) takes precedence over [F16M 11/247](#)

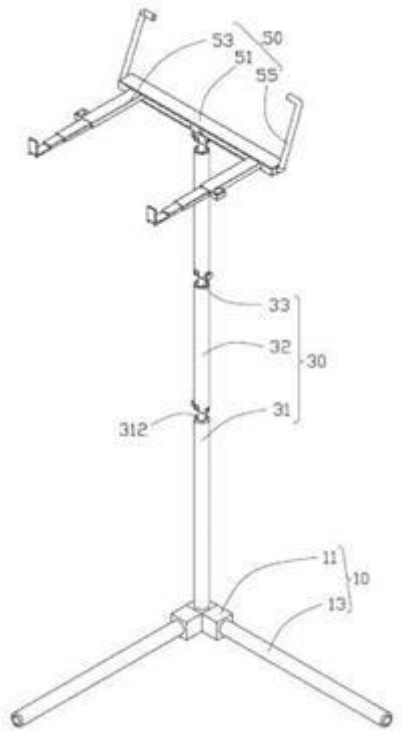
## F16M 11/38

by folding {, e.g. pivoting or scissors tong mechanisms}

### Definition statement

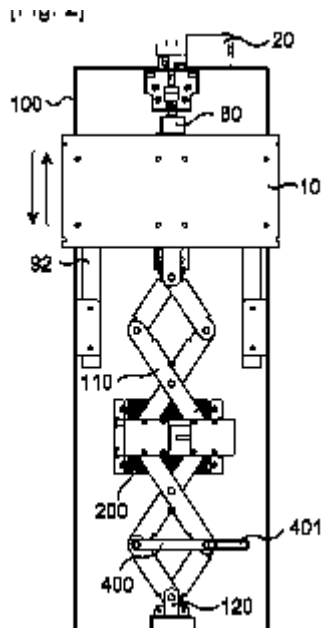
*This place covers:*

Undercarriage that can be folded for e.g. transportation needs, see illustrative example: US2011114805 (here the head is element 50 and the first pivot under 50, the rest (30) is the undercarriage)





and: WO2010024538 (here the head is the connection with the plate 10, and the undercarriage the rest)



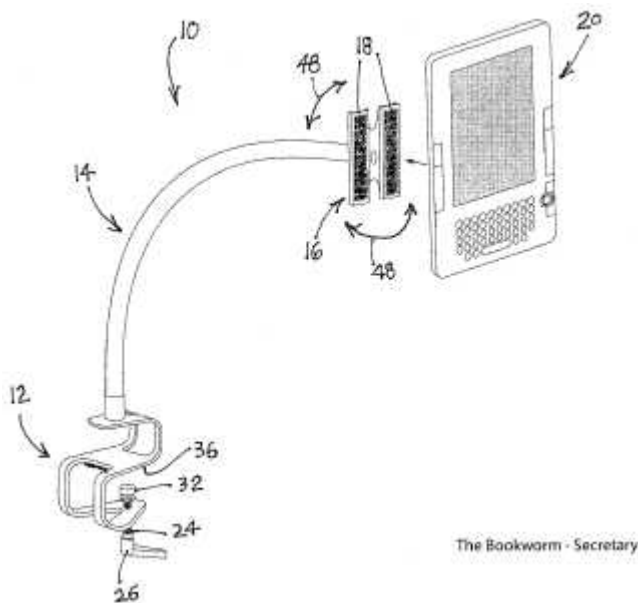
## F16M 11/40

by means of coilable or bendable legs {or spiral shaped legs}

### Definition statement

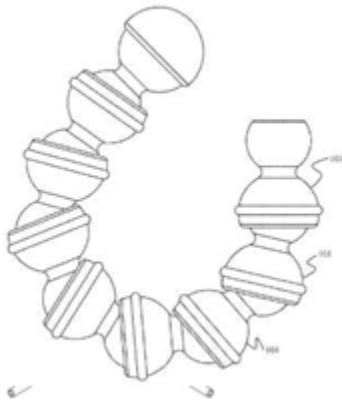
*This place covers:*

Illustrative example of subject matter classified in this group: US2010301188



The Bookworm - Secretary

and: US2010220992



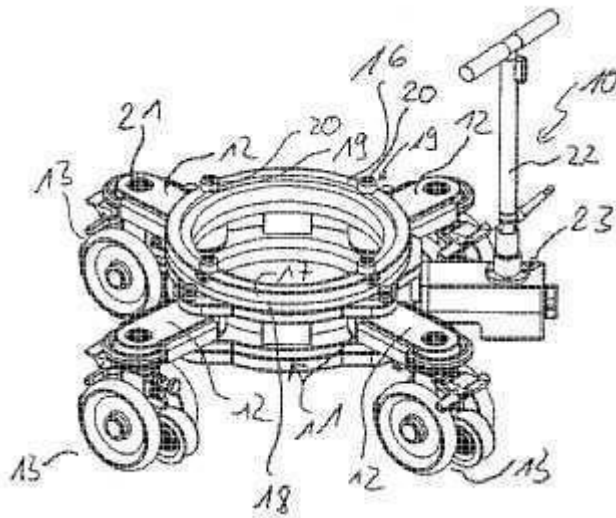
**F16M 11/42**

with arrangement for propelling the support {stands on wheels}

**Definition statement**

*This place covers:*

Illustrative example of subject matter classified in this group: DE102008047898



and: DE102007020980



## References

### Informative references

Attention is drawn to the following places, which may be of interest for search:

Rollers in general	<a href="#">B60B 33/06</a>
Dolly	<a href="#">B62B 3/00</a>
Rollers for containers	<a href="#">B65D 90/18</a>
Camera attached to hanging cables	<a href="#">H04N 23/00</a> , <a href="#">B66C 13/085</a>

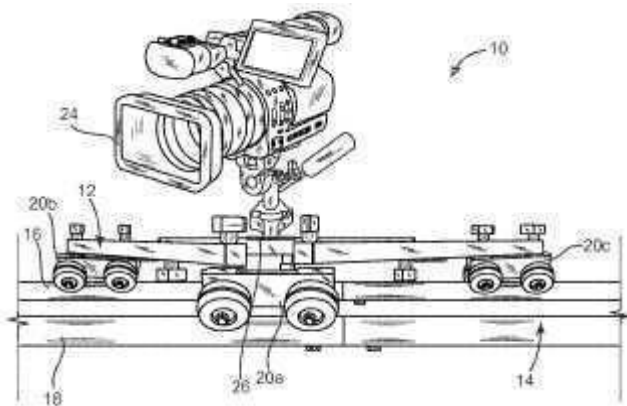
## F16M 11/425

{along guiding means}

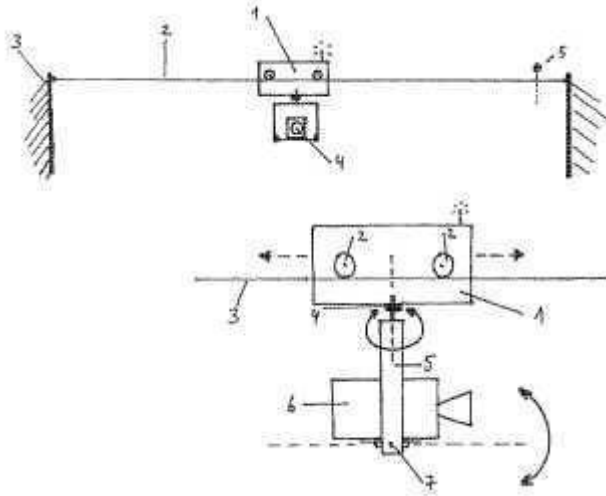
### Definition statement

*This place covers:*

Illustrative example of subject matter classified in this group: US2009315288



and: EP2115342



## F16M 13/00

Other supports for positioning apparatus or articles (heads thereof [F16M 11/02](#) {; undercarriages thereof [F16M 11/20](#)} ; adapted to be stuck in the ground [A45F 3/44](#) {; sockets or holders for poles or posts [E04H 12/22](#)}); Means for steadying hand-held apparatus or articles {(supports for measuring instruments [G01D 11/30](#); supports for casings of remote control switching devices [H01H 9/025](#))}

### Definition statement

*This place covers:*

In [F16M 13/00](#), the objects to be supported are hand-held apparatus (e.g. pda, tablet, gps, small portable screens, radio) and these objects are lying or resting on a support. The supports need also to be hand held support. A heavy tripod for a camera (which is a handheld apparatus) is not classified in [F16M 13/00](#) and depending lower groups as this support is not handheld. A support classified in [F16M 13/00](#) can also be classified in [F16M 13/022](#), e.g. a support provided with suction cup for a GPS apparatus.

This group only contains support separated from the object to be supported contrary to [F16M 13/005](#) and only support for handheld apparatus.

Illustrative example: US2009230161



## References

### Informative references

Attention is drawn to the following places, which may be of interest for search:

Adapted to be stuck on the ground	<a href="#">A45F 3/44</a>
Holder for fastening hand article, attached to the garment	<a href="#">A45F 5/02</a>
Book or Notebook rest holder	<a href="#">A47B 23/042</a>
Show stands	<a href="#">A47F</a>
Sockets or holders for poles or posts	<a href="#">E04H 12/22</a>
Supports for measuring instruments	<a href="#">G01D 11/30</a>
Docking station for laptop	<a href="#">G06F 1/1632</a>
Pager with belt clip	<a href="#">G08B 3/1058</a> , <a href="#">H04B 1/088</a>
Supports for casings of remote control switching devices	<a href="#">H01H 9/025</a>

### Special rules of classification

For more details of how to classify in [F16M 11/00](#), [F16M 13/00](#) and [F16M 2200/00](#) see the Special Rules of Classification of the main group [F16M 11/00](#).

Detail of the head is to be classified in [F16M 11/02](#).

Detail of the undercarriage is to be classified in [F16M 11/20](#).

## F16M 13/005

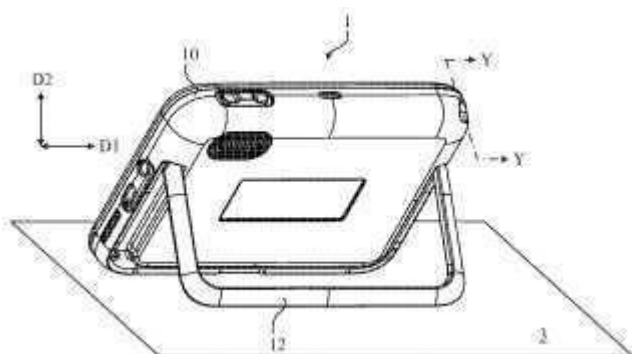
{integral with the apparatus or articles to be supported}

### Definition statement

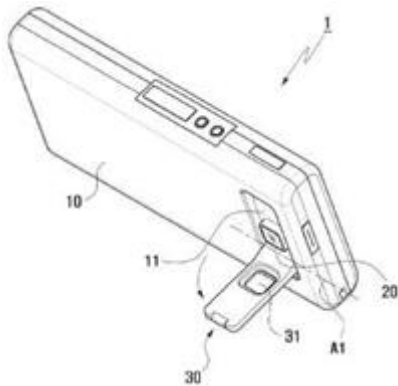
*This place covers:*

The support is integrated in the object.

For support integrated in the object see the illustrative example: US2009314915



and: US2010133414



### Special rules of classification

The possible movements allowed by this support should still be classified under the head groups (F16M 11/02 and lower groups) and if necessary under the undercarriage groups (F16M 11/20 and lower groups).

### F16M 13/02

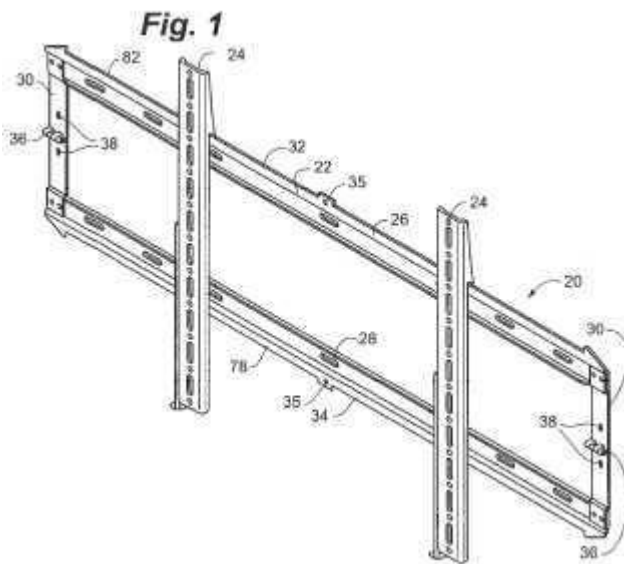
for supporting on, or attaching to, an object, e.g. tree, gate, window-frame, cycle

### Definition statement

*This place covers:*

The supports are attached to a wall or at another object like e.g. a post.

Support attached to the wall, see the illustrative example: WO2011003115



### References

#### Informative references

Attention is drawn to the following places, which may be of interest for search:

Holding, supporting or positioning device removable from a machine tools	<a href="#">B23Q 3/00</a>
--	---------------------------

Clamps	<a href="#">F16B 2/02</a>
Suction cups	<a href="#">F16B 47/00</a>
Pager with belt clip	<a href="#">G08B 3/1058</a> , <a href="#">H04B 1/088</a>

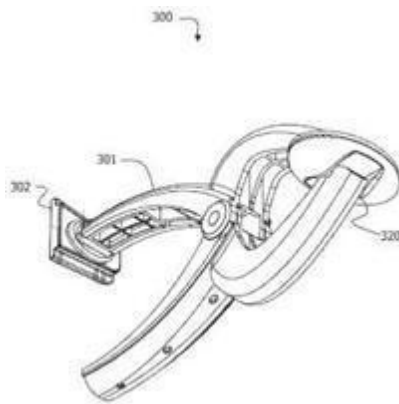
## F16M 13/022

{repositionable}

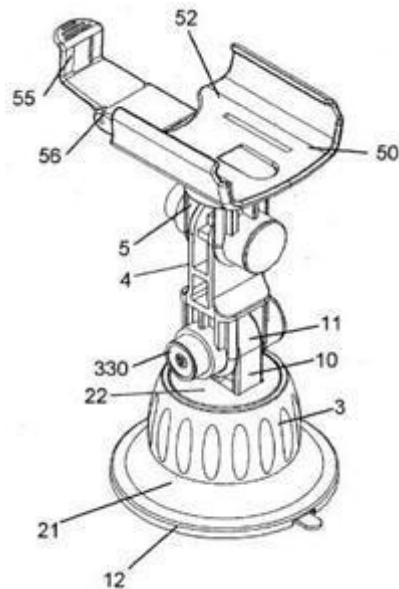
### Definition statement

*This place covers:*

Supports easily repositionable using e.g. clamps; see the illustrative example: US2010264281

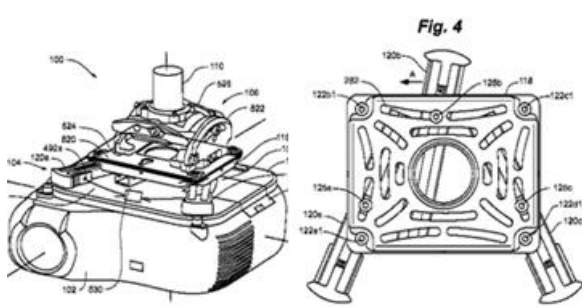


or suction cups: US2011/0024587



**F16M 13/027****{Ceiling supports}****Definition statement***This place covers:*

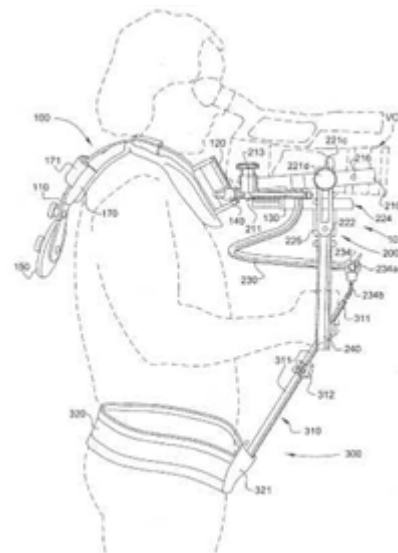
See the illustrative example: EP2288960

**F16M 13/04**

for supporting on, or holding steady relative to, a person, e.g. by chains {, e.g. rifle butt or pistol grip supports, supports attached to the chest or head (apparatus or arrangements for taking photographs or for projecting or viewing them [G03B](#))}

**Definition statement***This place covers:*

Illustrative example of subject matter classified in this group: US2010254696

**References****Informative references***Attention is drawn to the following places, which may be of interest for search:*

Holder for fastening hand article, attached to the garment	<a href="#">A45F 5/02</a>
--	---------------------------



Goggles	<a href="#">G02C</a>
Apparatus or arrangement for taking photographs or for projecting or viewing them	<a href="#">G03B</a>
Details of accessories for cameras	<a href="#">G03B 17/56</a>
Pager with belt clip	<a href="#">G08B 3/1058</a> , <a href="#">H04B 1/088</a>