

H03H

IMPEDANCE NETWORKS, e.g. RESONANT CIRCUITS; RESONATORS (measuring, testing [G01R](#); arrangements for producing a reverberation or echo sound [G10K 15/08](#); impedance networks or resonators consisting of distributed impedances, e.g. of the waveguide type, [H01P](#); control of amplification, e.g. bandwidth control of amplifiers, [H03G](#); tuning resonant circuits, e.g. tuning coupled resonant circuits, [H03J](#); networks for modifying the frequency characteristics of communication systems [H04B](#))

Definition statement

This place covers:

Apparatus or process specially adapted for the manufacture of impedance networks, resonating circuits or resonators, filters ([H03H 3/00](#)).

Impedance (matching) networks, resonating circuits or resonators and filters.

- Constructional (mechanical) details of impedance networks ([H03H 1/00](#))
- Passive elements ([H03H 5/00](#), [H03H 7/00](#))
- Piezoelectric elements (with propagation of acoustic waves) ([H03H 9/00](#))
- Electro-mechanical elements ([H03H 9/00](#))
- Active elements ([H03H 11/00](#))
- Sampled-data elements ([H03H 15/00](#))
- Digital elements ([H03H 17/00](#))
- Analog time varying elements, not digital ([H03H 19/00](#))
- Adaptive techniques ([H03H 21/00](#))

References

Limiting references

This place does not cover:

Arrangements for producing a reverberation or echo sound	G10K 15/08
Resistors	H01C
Magnets, inductances, transformers	H01F
Capacitors, rectifiers, detectors, switching devices or light-sensitive devices of the electrolytic type	H01G
Impedance matching in the integrated circuits	H01L
Impedance networks or resonators consisting of distributed impedances, e.g. of the waveguide type	H01P
Measuring and testing	H01R
Active filters for AC distribution networks (mostly using chopping of the power wave with power semiconductors), FACTS	H02J ; H02M
Impedance matching for amplifiers	H03F
Control of amplification, e.g. bandwidth control of amplifiers	H03G
Tuning resonant circuits, e.g. tuning coupled resonant circuits	H03J
Networks for modifying the frequency characteristics of communication systems	H04B

Equalizers	H04L
------------	----------------------

Special rules of classification

In addition to one or more EC symbols from the range [H03H 1/00](#) - [H03H 21/0067](#) relating to invention information, where appropriate, one or more Indexing Code symbols from the range [H03H 1/00](#) - [H03H 21/0067](#) relating to additional information should be allocated (see ECLA reform).

H03H 1/00

Constructional details of impedance networks whose electrical mode of operation is not specified or applicable to more than one type of network (constructional details of electromechanical transducers [H03H 9/00](#))

Definition statement

This place covers:

Constructional details of impedance networks whose electrical mode of operation is not specified or applicable to more than one type of network (e.g. multilayered filters including lumped elements, feed-through filters. Mechanical details of filtering devices for medical equipment ([A61](#)) are to be classified in [H03H 1/00](#).

References

Limiting references

This place does not cover:

Magnets, inductances, transformers per se	H01F
Capacitors, rectifiers, detectors, switching devices or light-sensitive devices of the electrolytic type per se	H01G
Multilayered microwave filters including exclusively distributed elements like microstrip or transmission lines	H01P

Informative references

Attention is drawn to the following places, which may be of interest for search:

Magnets, inductances, transformers per se, used as filter	H01F
Capacitors, rectifiers, detectors, switching devices or light-sensitive devices of the electrolytic type per se, used as a filter	H01G
Passive filters for power distribution networks (e.g. 50Hz)	H02J ; H02M
Filters in multi-layer construction for PCBs	H05K

Special rules of classification

Reorganization in [H03H 1/0007](#) pending (a relatively large number of new groups can be expected as resulting from this reorganization)

Synonyms and Keywords

In patent documents, the following abbreviations are often used:

RFI	radio frequency interference
EMI	electromagnetic interference

H03H 2/00

Networks using elements or techniques not provided for in groups

[H03H 3/00](#) - [H03H 21/00](#)

Definition statement

This place covers:

Networks using elements or techniques which are not provided for in groups [H03H 3/00](#) - [H03H 21/00](#)

H03H 3/00

Apparatus or processes specially adapted for the manufacture of impedance networks, resonating circuits, resonators

Definition statement

This place covers:

Manufacture of resonators, time-delay networks, phase-shifting networks, balanced/unbalanced networks and frequency selective networks, such as filters, splitters or duplexers -- all mainly built with surface or bulk acoustic wave devices, microelectromechanical system (MEMS) devices or electrostrictive or magnetostrictive devices. The devices per se are classified in [H03H 9/00](#) and subgroups.

References

Limiting references

This place does not cover:

Manufacture of NEMS/MEMS transducers not involving resonance	B81B or B81C
Manufacture of transducers not involving resonance (e.g. ink dispatchers for printers)	H10N 30/00

Informative references

Attention is drawn to the following places, which may be of interest for search:

Manufacture of NEMS/MEMS details	B81B , B81C
Manufacture of constructional details involving semiconductor parts (e.g. layers, package, etc.)	H01L

H03H 5/00

One-port networks comprising only passive electrical elements as network components

Definition statement

This place covers:

One-port networks comprising only passive electrical elements as network components, such as resistors, inductances, capacitances and diodes.

The group also covers LC resonators.

References

Limiting references

This place does not cover:

Simulation of reactances (e.g. active inductors, capacitor multipliers) with active elements	H03H 11/48 and subgroups
Oscillators	H03B 5/00

Informative references

Attention is drawn to the following places, which may be of interest for search:

Resistors	H01C
When the one-port network comprises only inductances or transformers	H01F
When the one-port network comprises only capacitances or transformers	H01G

H03H 7/00

Multiple-port networks comprising only passive electrical elements as network components (receiver input circuits [H04B 1/18](#); networks simulating a length of communication cable [H04B 3/40](#))

Definition statement

This place covers:

Gyrators, time-delay networks, phase-shifting networks, impedance matching networks, balanced/unbalanced networks, attenuators and frequency selective networks, such as filters, splitters or duplexers -- all mainly built with passive, lumped, electrical elements, such as resistors, capacitances, inductances and diodes.

Relationships with other classification places

When the time-delay networks, phase-shifting networks, impedance matching networks, balanced/unbalanced networks, attenuators and frequency selective networks, etc. are built mainly with passive, distributed, electrical elements, such as transmission lines, dielectric resonators, coaxial cables, then they are to be found and classified in [H01P](#).

References

Limiting references

This place does not cover:

RF interference and EMI filters	H03H 1/00
Filters in audio frequency spectrum or in the sense of gain controlling	H03G
Networks simulating a length of communication cable	H04B 3/40
Equalizers	H04L

Informative references

Attention is drawn to the following places, which may be of interest for search:

Hybrid couplers with passive lumped elements	H03H 7/48
--	---------------------------

Circulators, isolators with passive lumped elements	H03H 7/52
Simple balanced/unbalanced networks consisting only of coupled inductances (e.g. transformers)	H01F
Circulators, isolators with passive distributed elements	H01P 1/36 and H01P 1/38
Balanced/unbalanced networks having lumped and distributed passive elements	H01P 5/10
Hybrid couplers with passive distributed elements	H01P 5/16
Passive filters for power distribution networks	H02J , H02M
Attenuators for telecom transmission lines (phone, etc.)	H03B 5/00
Attenuators in audio frequency spectrum or in the sense of gain controlling	H03G 1/0058
Receiver input or transceiver output circuits for automatic impedance matching in telecommunications	H04B 1/18 , H04B 1/0458
Equalisers	H04L 25/0264
CATV (power) splitters	H04N
Bandpass or bandstop filters for TV	H04N 5/60
In PCB embedded R, L, C elements for filtering	H05K
Manufacture/packaging of multilayer RLC filters	H05K

Special rules of classification

Reorganization in [H03H 7/0115](#), [H03H 7/0138](#), [H03H 7/06](#)- [H03H 7/09](#) (a relatively large number of new groups can be expected as resulting from this reorganization) and in [H03H 7/46](#) and subgroups

Synonyms and Keywords

In patent documents, the following abbreviations are often used:

Balun	BALanced/UNbalanced network
-------	-----------------------------

H03H 9/00

Networks comprising electromechanical or electro-acoustic devices; Electromechanical resonators (making single crystals [C30B](#); selection of materials thereof [H01L](#); electromechanical transducers [H04R](#); piezoelectric, electrostrictive or magnetostrictive devices per se [H10N 30/00](#))

Definition statement

This place covers:

Resonators, time-delay networks, phase-shifting networks, balanced/unbalanced networks and frequency selective networks, such as filters, splitters or duplexers -- all mainly build with surface or bulk acoustic wave devices, microelectromechanical system (MEMS) devices or electrostrictive or magnetostrictive devices.

References

Limiting references

This place does not cover:

MEMS transducers not involving resonance	B81B- B81C
SAW/MEMS/BAW devices for sensing applications (when no particular emphasis is made for the constructional details or filtering, and focus is on sensing)	G01N 29/00
Transducers not involving resonance (e.g. ink dispatchers for printers)	H10N 30/00

Informative references

Attention is drawn to the following places, which may be of interest for search:

When searching for devices according to H03H 9/02976 or H03H 9/02984 also have a look at	H03H 9/02818 and subgroups
SAW tuning	H03H 9/02968 , H03H 9/6403
MEMS details	B81B- B81C
Mirror of BAW devices - manufacture	C23C
RF ID tags	G01S 13/755 , G06K 7/10009 , H03H 9/42
When searching for devices according to H03H 9/02968 also have a look at	G02F 1/125 , G02F 1/335
Constructional details involving semiconductor parts (e.g. layers, package, etc.)	H01L

Special rules of classification

Further details of subgroups

[H03H 9/0023](#)

The documents classified in [H03H 9/0023](#) relate to balance-unbalance or balance-balance networks.

The main aspect present in BALUN device is the phase inversion. In a device presenting an unbalanced (non-differential) input and output, the output signal is referred to the ground. The BALUN device obtains additionally at the second terminal of the output port (this is why it needs a differential port) a signal presenting the same characteristics of the signal present on the first terminal of the output port, but in opposition of phase w.r.t the signal at the first terminal. The device generates therefore the phase inversion.

Devices presenting a "balanced input-balanced output" structure are also considered as BALUN as by connecting one of the terminals of one of the ports to the ground the whole device transforms in a BALUN according to the above definition.

BALUN are also to be seen as impedance matching devices (although not classified as such) as they perform in general an impedance transformation between input and output ports.

Only documents concerning BALUN networks comprising MEMS elements have to be found in [H03H 9/0023](#).

Special rules of classification

Balance-unbalance or balance-balance networks using surface acoustic wave devices are classified in [H03H 9/0028+](#).

Balance-unbalance or balance-balance networks using bulk acoustic wave devices are classified in [H03H 9/0095](#).

If there are embodiments covering BALUN networks comprising different type of elements (e.g. one embodiment about a saw BALUN network, and another one about a baw BALUN network), the document should be classified in the respective classes.

[H03H 9/0028](#)

BALUN = BALanced-UNbalanced

SAW BALUN devices are SAW devices presenting a unbalanced port (i.e. "hot" terminal + ground) and a balanced port (i.e. two "hot" terminals being responsive of generating/receiving signals in opposition of phase).

The main aspect present in BALUN device is the phase inversion. In a device presenting an unbalanced (non-differential) input and output the output signal is referred to the ground. The BALUN device obtains additionally at the second terminal of the output port (this is why it needs a differential port) a signal presenting the same characteristics of the signal present on the first terminal of the output port, but in opposition of phase w.r.t the signal at the first terminal. The device generates therefore the phase inversion.

As means for phase inversion one could mention:

- reversing the polarities of the IDTs (e.g. SA411059, DE19818038);
- using horizontally/vertically split IDTs (e.g. DE19818038, XP977738, XP977546);
- use of different gaps between IDTs or reflectors (EP02290698; EP0800270-fig. 7; WO0069069; EP01400393);
- shifted position of fingers (LAMBDA/2) in a multitrack configuration (EP1221769);
- producing an asymmetry w.r.t. the central line (EP02291909).

SAW devices presenting a "balanced input-balanced output" structure are also considered as BALUN as by connecting one of the terminals of one of the ports to the ground the whole device transforms in a BALUN according to the above definition.

BALUN are also to be seen as impedance matching devices (although not classified as such) as they perform in general an impedance transformation between input and output ports.

This class takes precedence before [H03H 9/6433+](#), i.e. whenever a SAW coupled resonator filter presents the features of a BALUN device it is to be classified in [H03H 9/0028](#). It goes without saying that a document disclosing also a separate embodiment dealing exclusively with matters specific to [H03H 9/6433+](#) has to be classified in the corresponding [H03H 9/6433+](#) class, too.

Indexing Codes or KWs describing other aspects related to the BALUN devices (like matching, etc.) also take precedence before corresponding Indexing Codes or KWs describing aspects related to the SAW coupled resonator filters

NOTE

Horizontally split IDTs like in the figure below (3) although might fall under the scope of the present subclass need also to be classified according to the existing KW (09 split IDT horizontally).

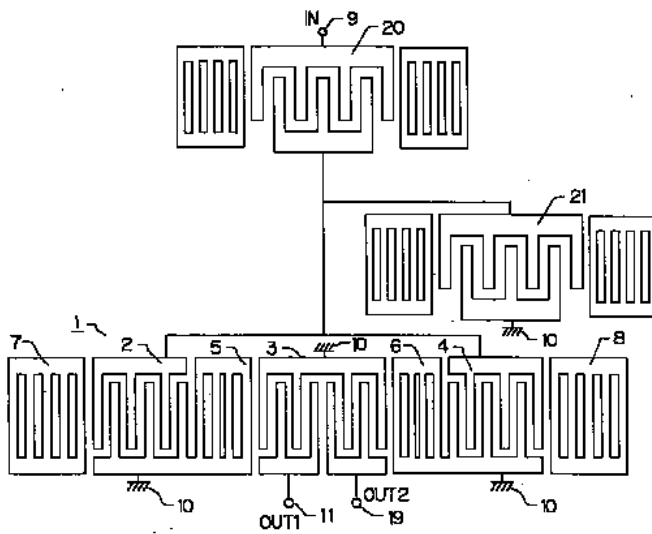


Fig. 1

NOTE

Vertically split IDTs like in the figure below (1401) although fall under the scope of the present subclass need also to be classified corresponding to /KW (09 split IDT vertically) has to be assigned.

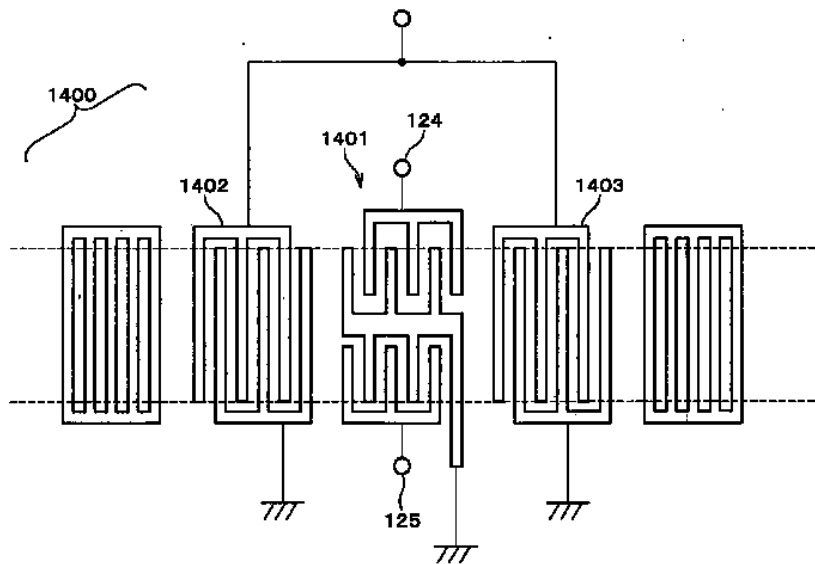


Fig. 2

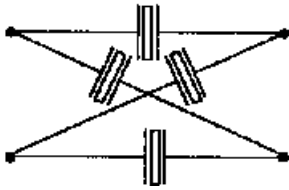
[H03H 9/0095](#)

The documents classified in [H03H 9/0095](#) relate to balance-unbalance or balance-balance networks using bulk acoustic wave devices.

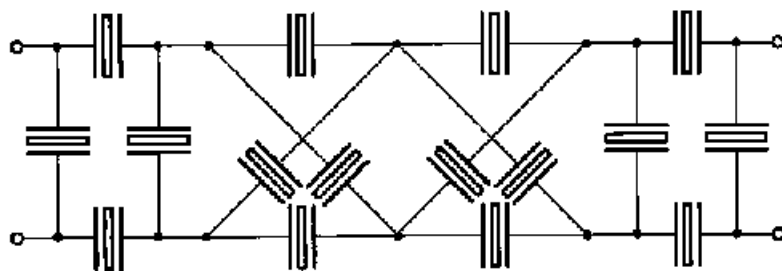
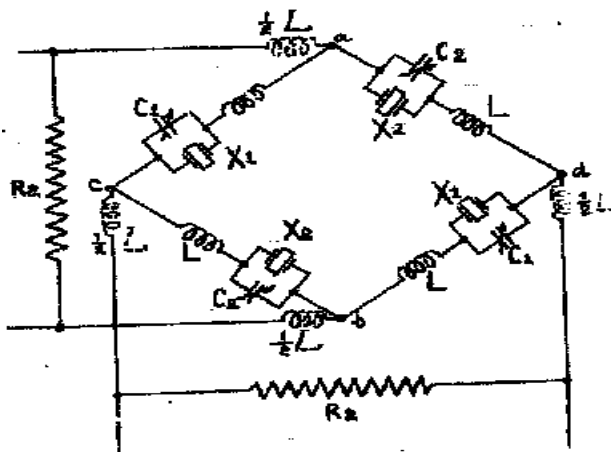
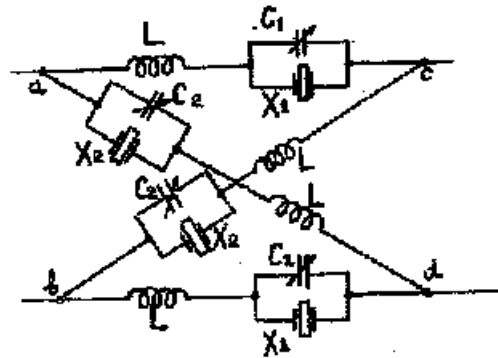
Note:

[H03H 9/0095](#) takes precedence over [H03H 9/566](#) and [H03H 9/60](#).

The lattice configuration of resonators is a balance-balance network, and is of this type:



There are various possibilities of such networks:



[H03H 9/0038](#)

For general remarks concerning BALUN devices refer to the description of class [H03H 9/0028](#) in the Definition Editor.

In the present class ([H03H 9/0038](#)) are classified documents having:

- a) only one acoustic track performing the filtering; and
- b) the (two) terminals of the balanced port(s) are on the same side of the acoustic track.

An example is to be found here below (balanced terminals are referenced with numerals 5 and 6):

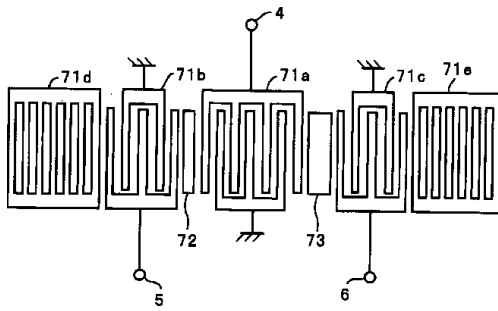


Fig. 1

The mere fact that the balanced and/or unbalanced port has serial connected resonators like "ser A" in Fig. 2 below does not change the attributes taken into account for the classification - BALUN structure having the terminals of the balanced port on the same side of the acoustic track.

The problem solved by the series resonators is most of the time one of improving the steepness of the transition band of the filter. For this purpose the series resonators have to be designed with the resonance frequency having a value which coincides with the beginning of the transition band and the end of the 3dB portion of the pass band.

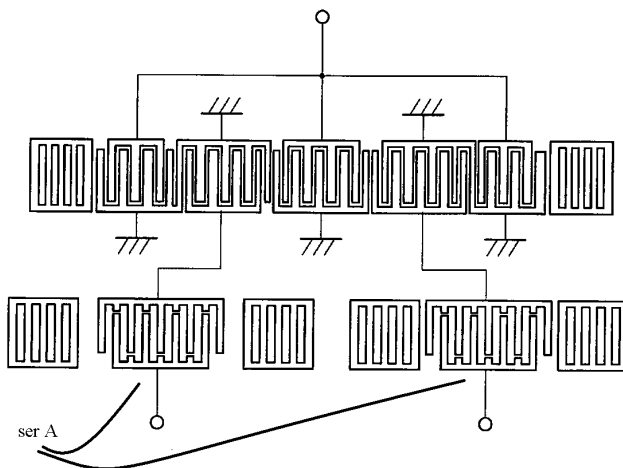


Fig. 2

[H03H 9/0042](#)

For general remarks concerning BALUN devices refer to the description of class [H03H 9/0028](#) in the Definition Editor.

In the present class ([H03H 9/0042](#)) are classified documents having:

- a) only one acoustic track performing the filtering; and
- b) the (two) terminals of the balanced port(s) are disposed on opposite sides of the acoustic track.

An example is to be found here below (balanced terminals are referenced OUT1 and OUT2):

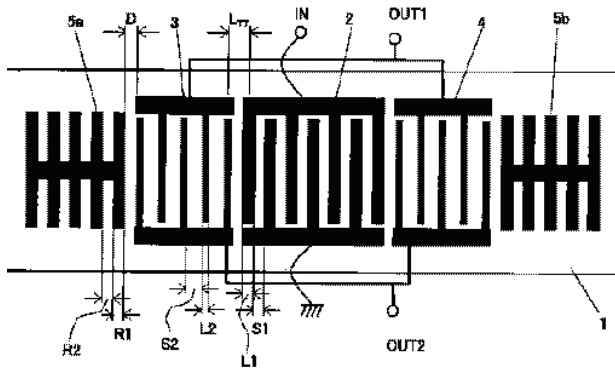


Fig. 1

The mere fact that the balanced and/or unbalanced port has/have series connected resonators like those referenced with the numbers (5, 6) in Fig. 2 below does not change the attributes taken into account for the classification - BALUN structure having the terminals of the balanced port on opposite sides of the acoustic track.

The problem solved by the series resonators is most of the time one of improving the steepness of the transition band of the filter. For this purpose the series resonators have to be designed with the resonance frequency having a value which coincides with the beginning of the transition band and the end of the 3dB portion of the pass band.

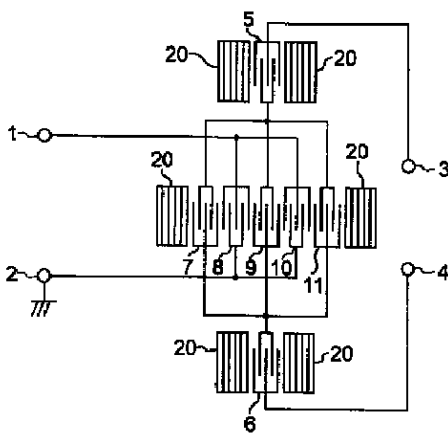


Fig. 2

[H03H 9/0057](#)

For general remarks concerning BALUN devices refer to the description of class [H03H 9/0028](#) in the Definition Editor.

In the present class ([H03H 9/0057](#)) are classified documents having the following features:

- a) two acoustic tracks performing the filtering;
- b) the two acoustic tracks are electrically cascaded (between the input and output of the whole device); and
- c) the (two) terminals of the balanced port(s) are disposed on the same side of the last acoustic track in the cascaded structure.

An example is to be found here below (balanced terminals are referenced (124) and (125)).

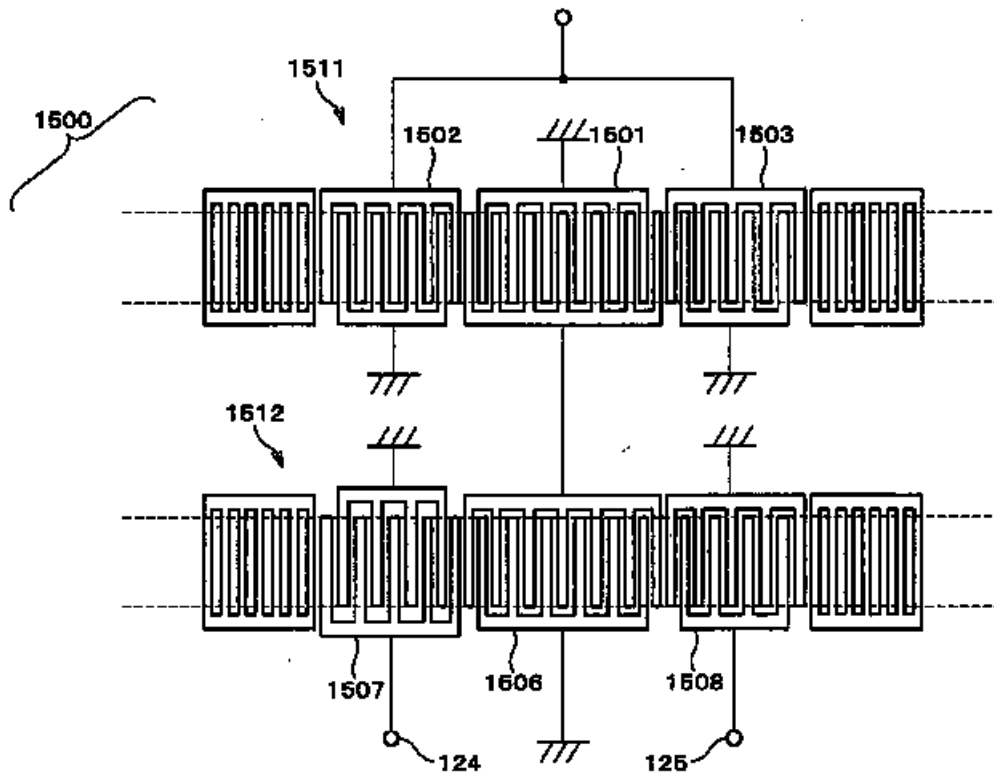


Fig. 1

The mere fact that the balanced and/or unbalanced port has/have series connected resonators like those referenced with number (R11+W1+R12) in Fig. 2 below does not change the attributes taken into account for the classification - BALUN structure having the terminals of the balanced port on the same side of the output acoustic track.

The problem solved by the series resonators is most of the time one of improving the steepness of the transition band of the filter. For this purpose the series resonators have to be designed with the

resonance frequency having a value which coincides with the beginning of the transition band and the end of the 3dB portion of the pass band.

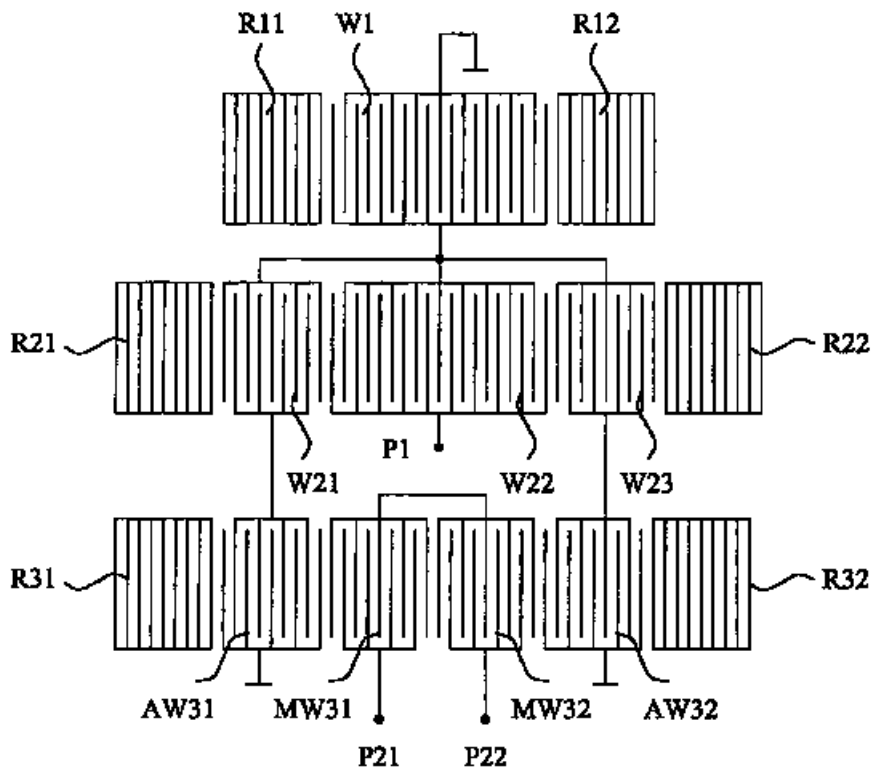


Fig. 2

BALUN structures of the type presented in Fig. 3 below are also to be classified in the present class ([H03H 9/0057](#)).

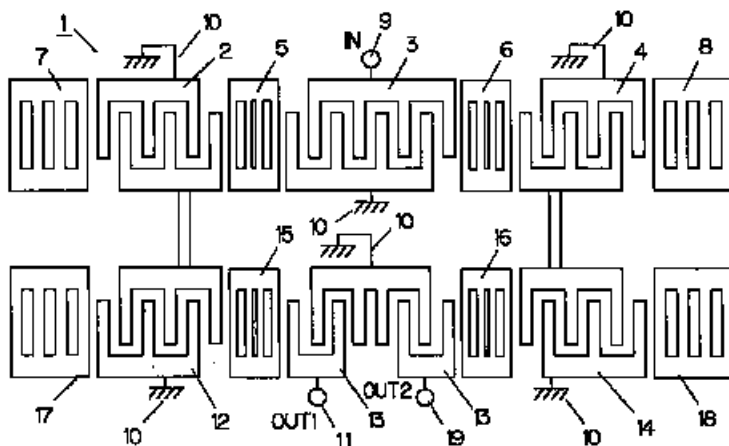


Fig. 3

[H03H 9/0071](#)

For general remarks concerning BALUN devices refer to the description of class [H03H 9/0028](#) in the Definition Editor.

In the present class ([H03H 9/0071](#)) are classified documents having the following features:

- a) two acoustic tracks performing the filtering;
- b) the two acoustic tracks are electrically parallel connected (between the input and output of the whole device); and
- c) the (two) terminals of the balanced port(s) are disposed on the same side of the output acoustic track in the cascaded structure.

An example is to be found here below (balanced terminals are referenced (5) and (6)).

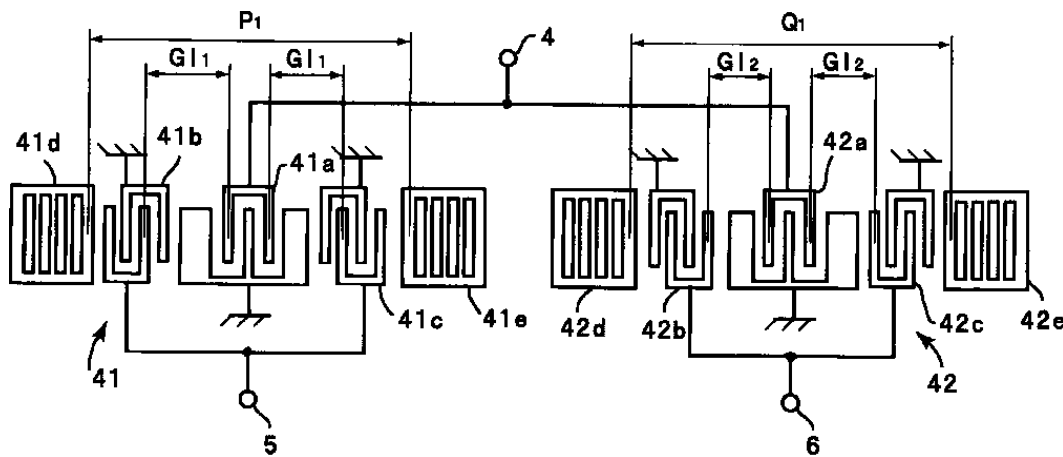


Fig. 1

The mere fact that the balanced and/or unbalanced port has/have series connected resonators like those referenced with the numbers (30, 40) in Fig. 2 below does not change the attributes taken into account for the classification - BALUN structure having the terminals of the balanced port on the same side of the output acoustic track.

The problem solved by the series resonators is most of the time one of improving the steepness of the transition band of the filter. For this purpose the series resonators have to be designed with the

resonance frequency having a value which coincides with the beginning of the transition band and the end of the 3dB portion of the pass band.

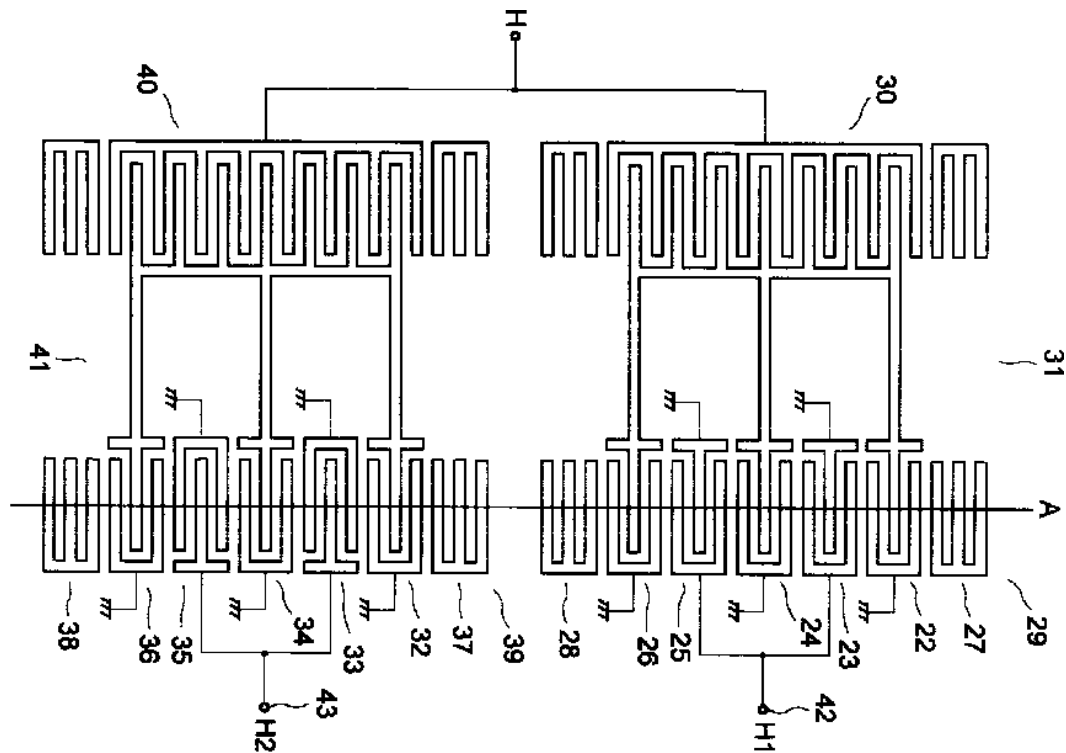


Fig. 2

[H03H 9/0061](#)

For general remarks concerning BALUN devices refer to the description of class [H03H 9/0028](#) in the Definition Editor.

In the present class ([H03H 9/0061](#)) are classified documents having the following features:

- a) two acoustic tracks performing the filtering;
- b) the two acoustic tracks are electrically cascaded (between the input and output of the whole device); and
- c) the (two) terminals of the balanced port(s) are disposed on opposite sides of the output acoustic track in the cascaded structure.

An example is to be found here below (balanced terminals are referenced (out1) and (out2)). It is to be noticed that in this drawing the input (in1+in2) is also balanced having terminals on opposite sides of the input acoustic track.

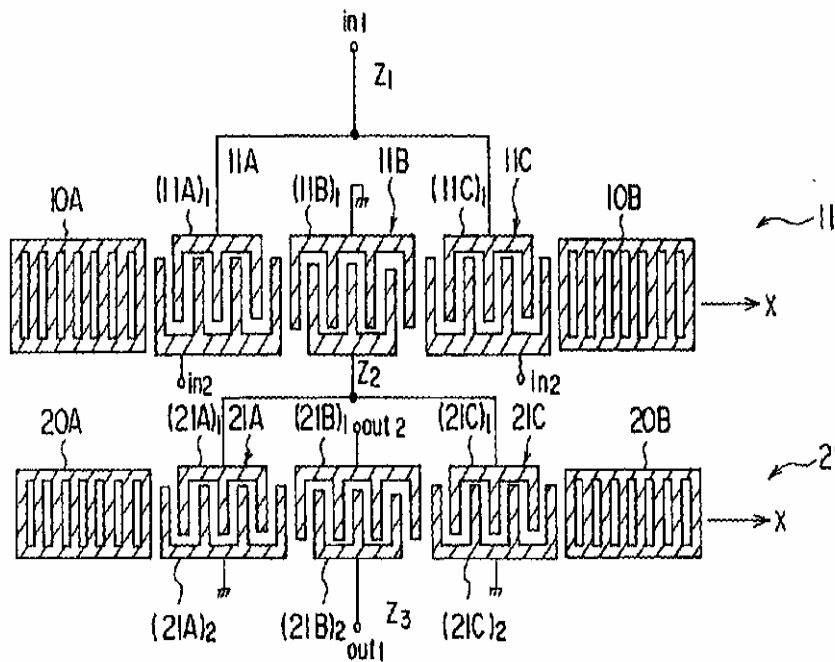


Fig. 1

The mere fact that the balanced and/or unbalanced port has/have series connected resonators like those referenced with number (324) in Fig. 2 below does not change the attributes taken into account for the classification - BALUN structure having the terminals of the balanced port on opposite sides of the output acoustic track.

The problem solved by the series resonators is most of the time one of improving the steepness of the transition band of the filter. For this purpose the series resonators have to be designed with the

resonance frequency having a value which coincides with the beginning of the transition band and the end of the 3dB portion of the pass band.

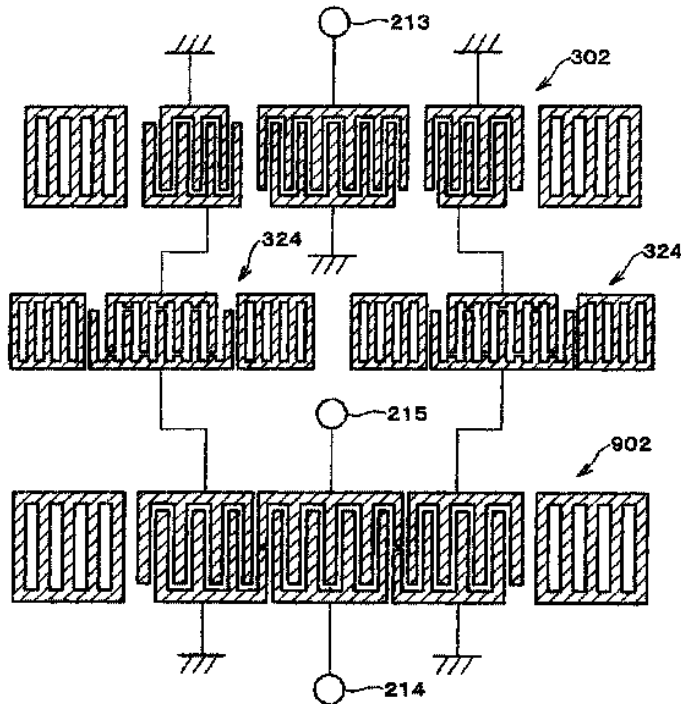


Fig. 2

BALUN structures of the type presented in Fig. 3 below are also to be classified in the present class ([H03H 9/0061](#)).

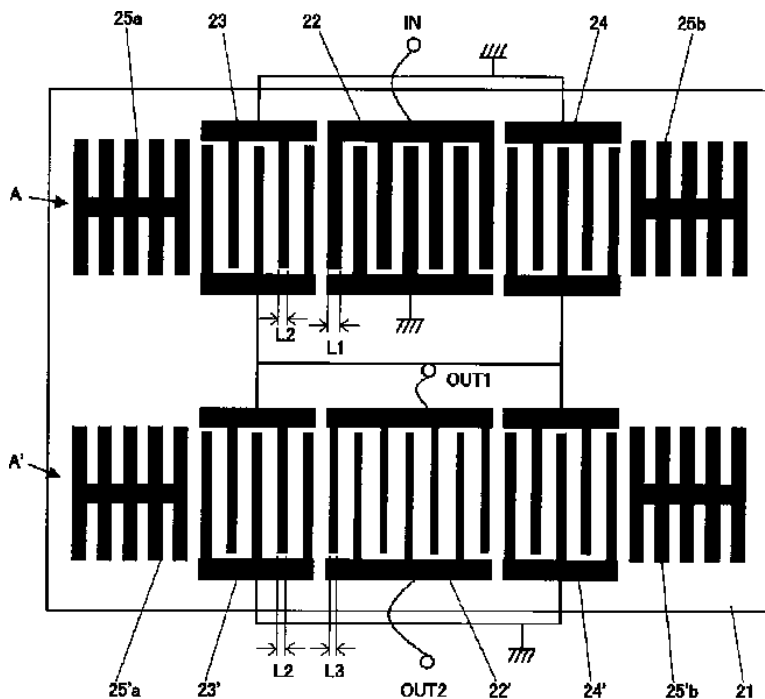


Fig. 3

[H03H 9/0076](#)

For general remarks concerning BALUN devices refer to the description of class [H03H 9/0028](#) in the Definition Editor.

In the present class ([H03H 9/0076](#)) are classified documents having the following features:

- a) two acoustic tracks performing the filtering;
- b) the two acoustic tracks are electrically parallel connected (between the input and output of the whole device); and
- c) the (two) terminals of the balanced port(s) are disposed on opposite sides of the output acoustic track in the cascaded structure.

An example is to be found here below (balanced terminals are referenced (16) and (46)).

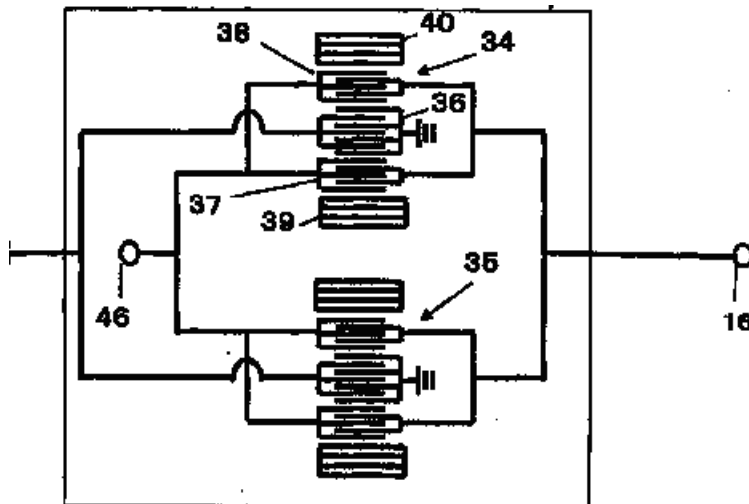


Fig. 1

[H03H 9/008](#)

For general remarks concerning BALUN devices refer to the description of class [H03H 9/0028](#) in the Definition Editor.

In the present class ([H03H 9/008](#)) are classified documents having three acoustic tracks performing the filtering.

Most of the times the three acoustic tracks are electrically cascade-parallel connected (between the input and output of the whole device) as in Fig. 1.

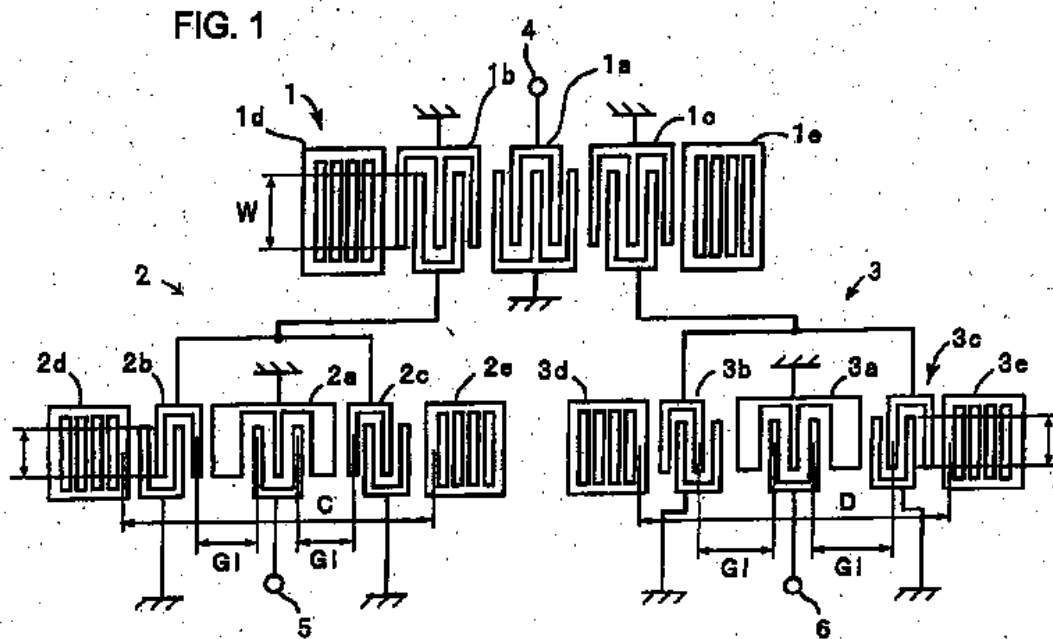


Fig. 1

[H03H 9/0085](#)

For general remarks concerning BALUN devices refer to the description of class [H03H 9/0028](#) in the Definition Editor.

In the present class ([H03H 9/0085](#)) are classified documents having the following features:

- a) four acoustic tracks performing the filtering; and

b) the four acoustic tracks are electrically cascade-parallel connected (between the input and output of the whole device) as in Fig. 1-3 below.

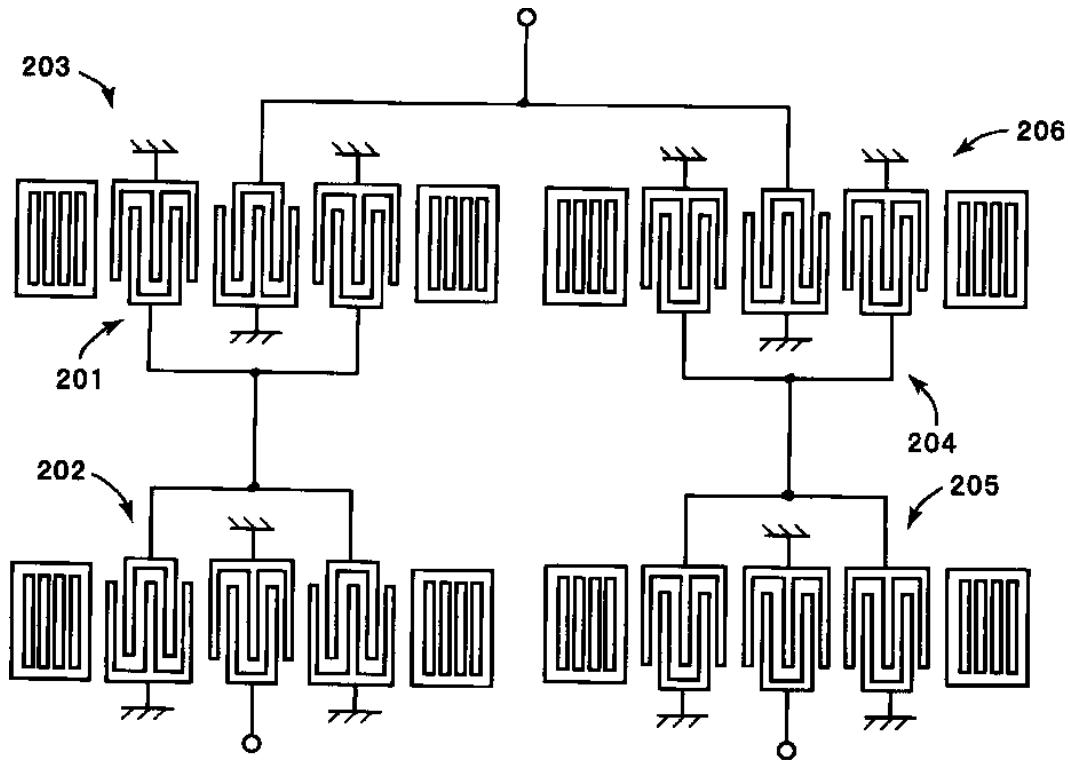


Fig. 1

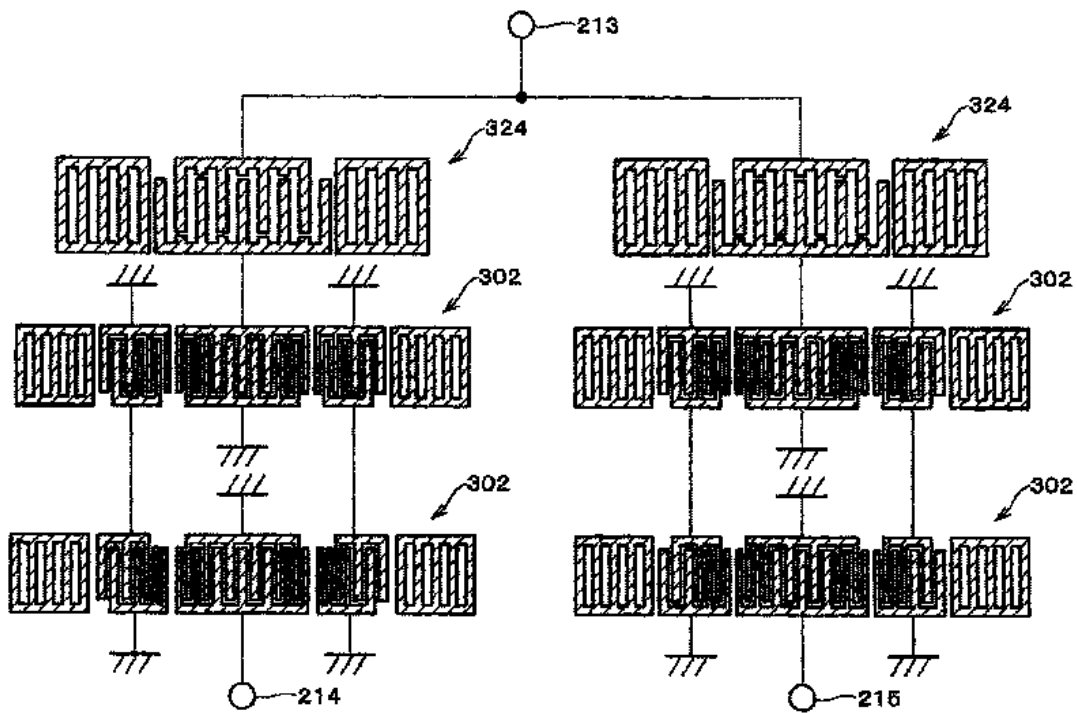
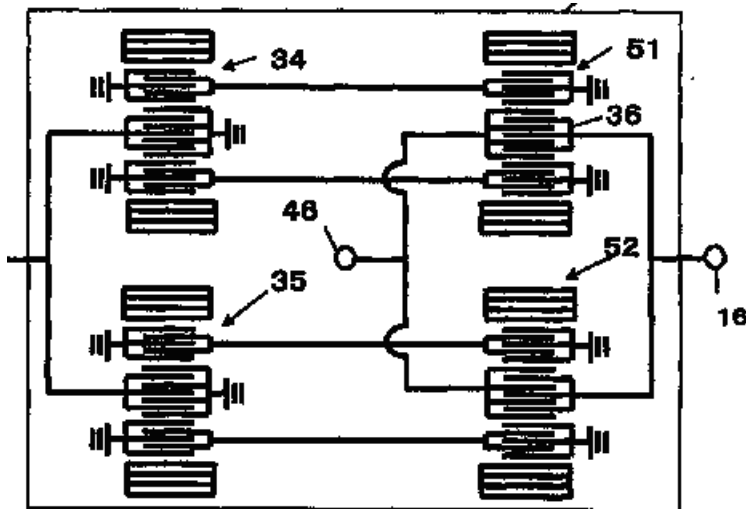


Fig. 2



[H03H 9/02007](#)

The documents classified in [H03H 9/02007](#) relate to details of bulk acoustic wave devices, especially about vibration mode or dimensional parameters of baw devices.

1/ Details about vibration mode of baw devices should be classified as follows:

a) Details about harmonic vibration

In some baw devices, instead of the fundamental, one or more harmonic (aka multiple of the fundamental frequency) are excited. Sometimes harmonic mode is also called overtone mode.

These documents should be classified in [H03H 9/02007](#) and provided with the following keyword:

09 02b baw details vibration mode harmonic ([H03H](#))

b) Details about overmoded vibration

Overmoded baw devices comprise a substrate with a thickness that is a multiple of the wavelength in order to operate at a large mode number and to exhibit a high Q impedance response.

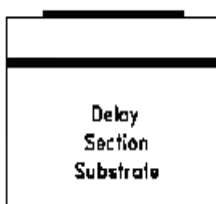
In an overmoded resonator, multiple resonance occurs at frequency intervals determined by the fundamental resonant frequency.

These documents should be classified in [H03H 9/02007](#) and provided with the following keyword:

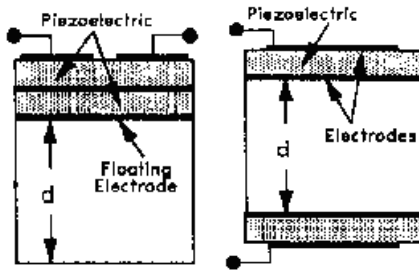
09 02b baw details vibration mode overmoded ([H03H](#))

There are different types of baw devices being considered as overmoded.

This type of overmoded resonators should also be classified in [H03H 9/172](#):



These types of overmoded filters should also be classified respectively in [H03H 9/585](#) and [H03H 9/584](#):



2/ Details of dimensional parameters (length, width, thickness) of baw devices should be classified as follows:

Documents dealing with details about a ratio between two of the dimension parameters in order to improve the characteristics of the bulk acoustic wave device should be classified in [H03H 9/02007](#) and provided with the following keyword::

09 02b baw details dimensional parameters ([H03H](#))

Details about the characteristics of piezoelectric layers are classified in [H03H 9/02015+](#).

Details about treatment of substrates are classified in [H03H 9/02047+](#).

Details about means for compensation of undesired effects are classified in [H03H 9/02086+](#).

Details about the electrodes of baw devices are classified in [H03H 9/13](#) and especially provided with the keyword 09-13 baw formation ([H03H](#)).

[H03H 9/02015](#)

The documents classified in [H03H 9/02015](#) relate to characteristics of piezoelectric layers.

Documents dealing with cutting angles of the piezoelectric layers or with the properties of the piezoelectric layer have to be found in [H03H 9/02015](#).

Documents dealing with the resonator or the filter itself are classified respectively in [H03H 9/17+](#) and in [H03H 9/54+](#).

Piezoelectric layers of the quartz type are classified in [H03H 9/02023](#).

Piezoelectric layers of the ceramic type are classified in [H03H 9/02031](#).

Piezoelectric layers of the group 32 type are classified in [H03H 9/02039](#).

[H03H 9/02023](#)

The documents classified in [H03H 9/02023](#) relate to characteristics of piezoelectric layers of the quartz type.

[H03H 9/02031](#)

The documents classified in [H03H 9/02031](#) relate to characteristics of piezoelectric layers of the ceramic type.

Ceramic materials are::

LiTaO₃ (lithium tantalate), LiNbO₃ (lithium niobate), AlN (aluminium nitride), Ta₂O₅, (Ba,Sr)TiO₃ (BST), Pb(Zr,Ti)O₃ (PZT, lead zirconate, lead titanate), SrBi₂Ta₂O₉(SBT), KNbO₃

(potassium niobate), Perovskite type, $\text{Pb}_{0.99}\text{Nb}_{0.02}(\text{Zr}_{0.85}\text{Sn}_{0.13}\text{Ti}_{0.02})_{0.98}\text{O}_3$ (PNZST), $\text{Pb}_{0.97}\text{La}_{0.02}(\text{Zr}_{0.65}\text{Sn}_{0.31}\text{Ti}_{0.04})\text{O}_3$ (PLZST, PLZT), Wurtzite type.

[H03H 9/02039](#)

The documents classified in [H03H 9/02039](#) relate to characteristics of piezoelectric layers of the group 32 type.

Materials of the group 32 are:

Langasite ($\text{La}_3\text{Ga}_5\text{SiO}_{14}$), $\text{Pr}_3\text{Ga}_5\text{SiO}_{14}$, $\text{Nd}_3\text{Ga}_5\text{SiO}_{14}$, Langatate ($\text{La}_3\text{Ga}_5.5\text{Ta}_{0.5}\text{O}_{14}$), Langanite ($\text{La}_3\text{Ga}_5.5\text{Nb}_{0.5}\text{O}_{14}$), $\text{Sr}_3\text{TaGa}_3\text{Si}_2\text{O}_{14}$, $\text{Ca}_3\text{Ga}_2\text{Ge}_4\text{O}_{14}$, $\text{Ca}_3\text{NbGa}_3\text{Si}_2\text{O}_{14}$, GaPO_4 , AlPO_4 , Berlinite

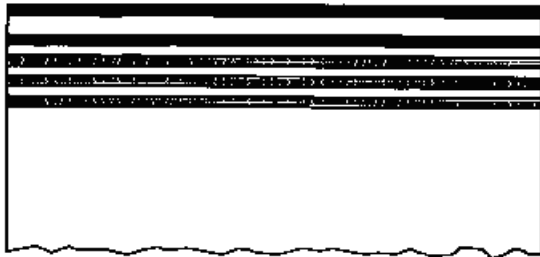
[H03H 9/02047](#)

The documents classified in [H03H 9/02047](#) relate to the treatment of substrates of bulk acoustic wave devices in order to reduce spurious vibrations.

[H03H 9/02055](#)

The documents classified in [H03H 9/02055](#) relate to treatment of the back surface of the substrate of bulk acoustic wave devices.

For example, the bottom surface of the substrate is roughened to reduce the reflection of acoustic waves:



[H03H 9/02086](#)

The documents classified in [H03H 9/02086](#) relate to bulk acoustic wave devices with means for compensation or elimination of undesirable effects.

1/ Undesired effects caused by parasitic elements

The aim is to prevent cross-talk (image current) between bulk acoustic wave elements on the same substrate across parasitic capacitances. Also called capacitive coupling.

These documents should be classified in [H03H 9/02086](#) and provided with the following keyword:

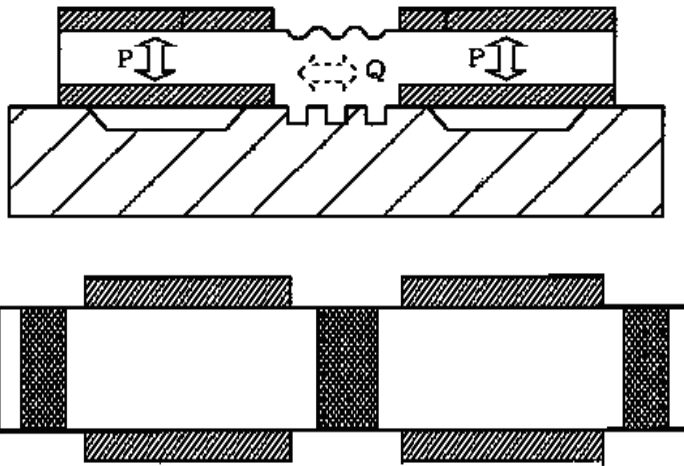
09 02b8 baw details undesired effects parasitic elements ([H03H](#))

2/ Undesired effects caused by lateral leakage between adjacent resonators

The aim is to prevent unwanted laterally propagating waves generated by one resonator from interfering with an adjacent one.

These documents should be classified in [H03H 9/02086](#) and provided with the following keyword:

09 02b8 baw details undesired effects lateral leakage (H03H)



3/ Undesired effects caused by adherence problems

The aim is to improve the adherence between two layers by:

- providing an adhesion layer
- modifying the orientation of at least one of the layers

For increase of adherence for mounting in enclosures, see [H03H 9/10](#).

These documents should be classified in [H03H 9/02086](#) and provided with the following keyword:

09 02b8 baw details undesired effects adherence (H03H)

Documents dealing with temperature compensation are classified in [H03H 9/02102](#).

Documents dealing with compensation of reflections are classified in [H03H 9/0211](#).

Documents dealing with compensation of stress are classified in [H03H 9/02133](#).

Documents dealing with compensation of electric discharge due to pyroelectricity are classified in [H03H 9/02141](#).

Documents dealing with compensation of ageing changes are classified in [H03H 9/02149](#).

[H03H 9/02102](#)

The documents classified in [H03H 9/02102](#) relate to bulk acoustic wave devices with means for compensation of temperature influence.

Temperature compensation can be achieved in resonator devices by using

piezoelectric materials that already have a high degree of temperature stability or through

composite structures containing offsetting ratios of positive and negative coefficient materials.

One temperature compensation approach is to use a composite structure and balance positive TC and negative TC materials to obtain a satisfactory degree of temperature compensation. For example, the normally negative temperature coefficient of AlN (-25 ppm per deg C) and ZnO (-60 ppm per deg C) can be offset to a degree by the positive coefficient of silicon dioxide in film form (+85 ppm per deg C).

[H03H 9/0211](#)

The documents classified in [H03H 9/0211](#) relate to bulk acoustic wave devices with means for compensation of reflections.

The aim is to prevent unwanted vibration due to non horizontal vibration leakage, thereby suppressing occurrence of spurious components.

[H03H 9/02133](#)

The documents classified in [H03H 9/02133](#) relate to bulk acoustic wave devices with means for compensation of stress.

The aim is to prevent stress in order to avoid:

- internal stress by having it evenly applied
- formation of cracks

One possibility is the use of low tensile stress material.

[H03H 9/02141](#)

The documents classified in [H03H 9/02141](#) relate to bulk acoustic wave devices with means for compensation of electric discharge due to pyroelectricity.

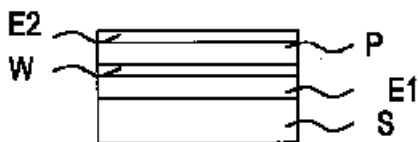
[H03H 9/02149](#)

The documents classified in [H03H 9/02149](#) relate to bulk acoustic wave devices with means for compensation of ageing changes, e.g. atoms diffusion.

The aim is to prevent the problem of chemical interaction between two metals and specially the migration of atomic charges from one layer to an other (electromigration).

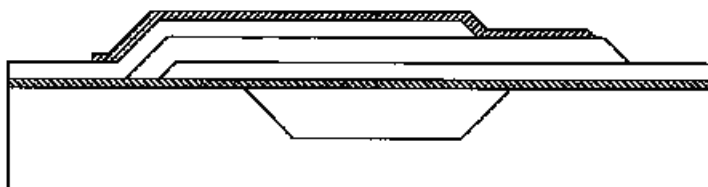
To avoid migration between different layer of a multiple layer electrode.

To avoid migration between the piezoelectric layer and an electrode layer, a diffusion barrier, or a barrier layer is provided.



Electrode corrosion or oxidation, due to humidity (air contact) has also to be classify here.

There is provided a protective layer or a passivation layer in order to protect the electrode.



[H03H 9/02637](#)

The classes [H03H 9/02637](#)+ accommodate documents disclosing particular reflective or coupling entities for both SAW resonators and SAW filters.

Note:

Seen the relatively high degree of indentation it is meant to keep the root rather empty.

Redundancies:

1) [H03H 9/643](#) appears to overlap the classes [H03H 9/02637+](#). From now on, no new documents should be classified in [H03H 9/643](#). This class will be deleted in the future and the documents still in there will be reclassified accordingly (it is expected to move most of them in [H03H 9/02637+](#))

2) Idem for the SAW documents in [H03H 9/48](#), [H03H 9/50](#), [H03H 9/52](#). These classes are already cleaned out now of any SAW devices.

BAW and MEMS are still to be classified in these classes and their subclasses if needed.

3) There is a certain overlap between [H03H 9/44](#) and [H03H 9/02637+](#) concerning in particular the reflective/pulse array compressors (RAC, PAC). Currently this overlap is not an issue, as apparently no new docs enters.

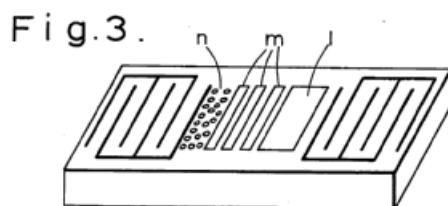
[H03H 9/02645](#)

Reflector gratings are replaced with dot arrays better performing from the point of view of e.g. spurious/ripple.

For example, GB2060305 says:

"In most applications it is desirable to vary the strength of reflection from different grooves or strips within the array to provide amplitude weighting, and in the case of metallic strip array this cannot be done in a simple controllable manner.

To overcome this limitation of metallic strip arrays, while retaining its advantages, it has been proposed to replace each reflective metal strip with a row of metallic dots."



US4204178

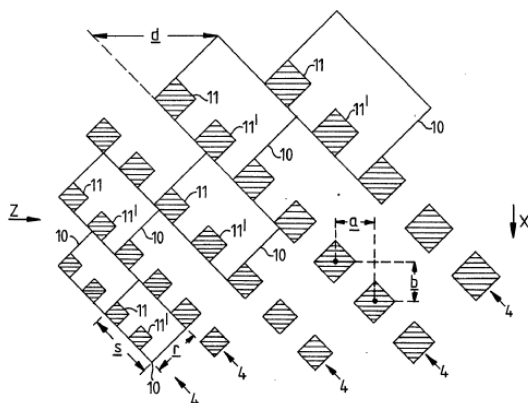
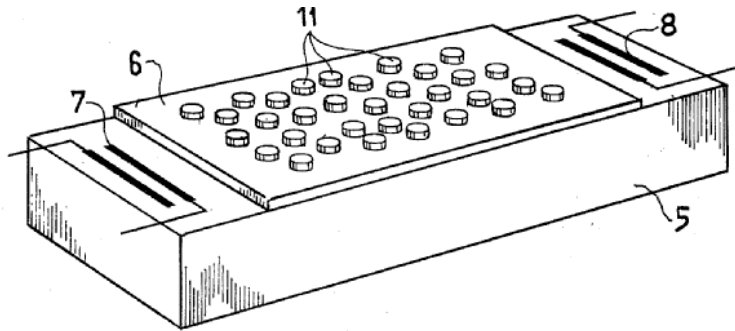


Fig.6.

GB2060305

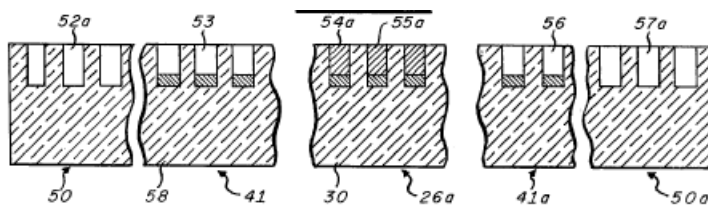


US3886503

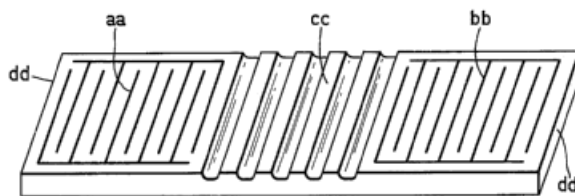
[H03H 9/02653](#)

The grooves could be empty, partially or totally filled with material, and they could be between (but not inside) IDTs or side-framing them. When they are inside the IDTs,

H03H9/02S6G1 should be allocated.



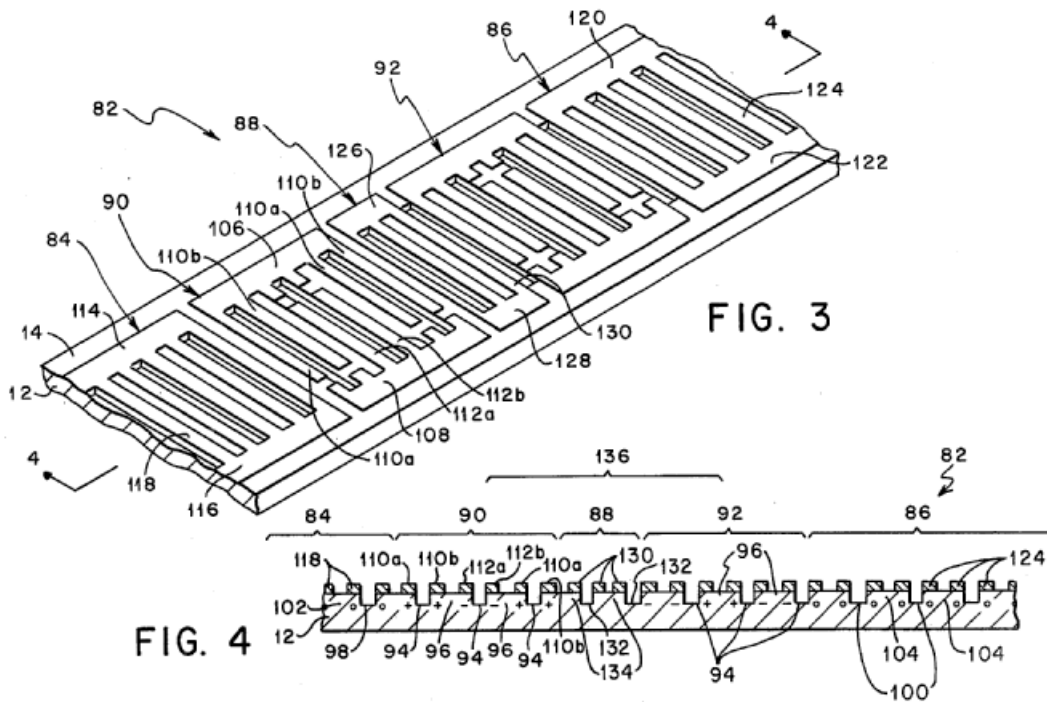
US4237433



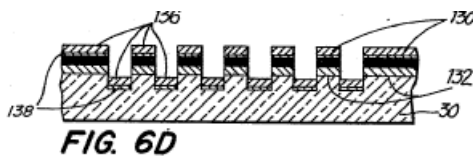
US4204178

[H03H 9/02661](#)

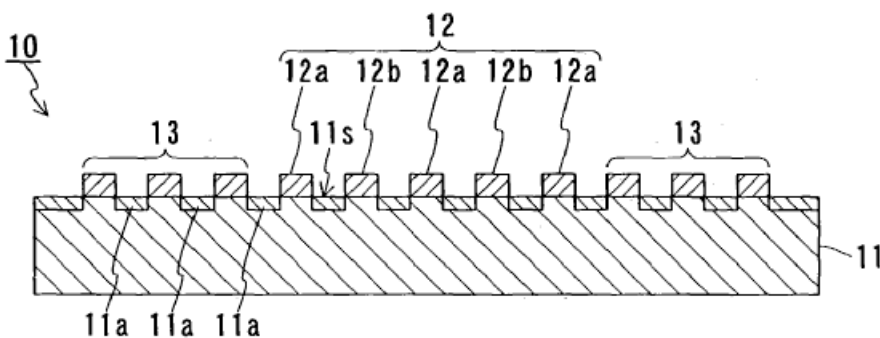
The grooves could be emptied or filled with material and should be only inside the IDTs.



US4454488



US4130813

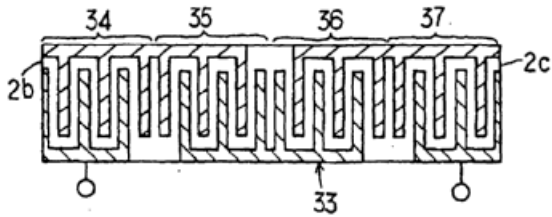


US2004095038

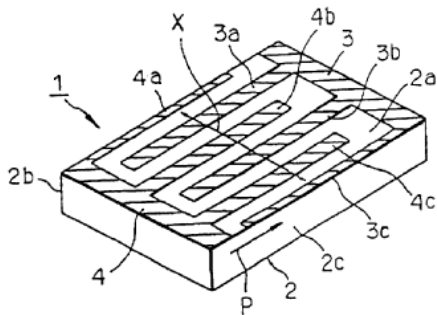
[H03H 9/02669](#)

SAW devices having no grating reflectors, but edges cut at the appropriate position in order to produce the reflection of the waves launched by IDTs and therefore to define a resonant cavity to which the SAW waves are confined.

It to be noticed that the former name of this class (originally under [H03H 9/02669](#)) was changed by removing from the list of examples the shear horizontal (SH), shear transversal (ST) and Love waves for which it is not granted that one has an edge reflective arrangement.



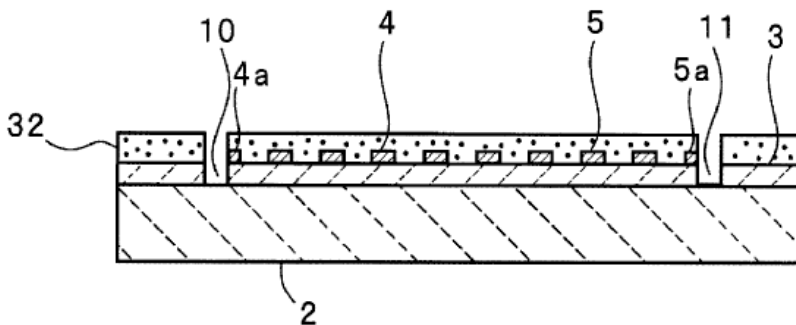
EP1030445



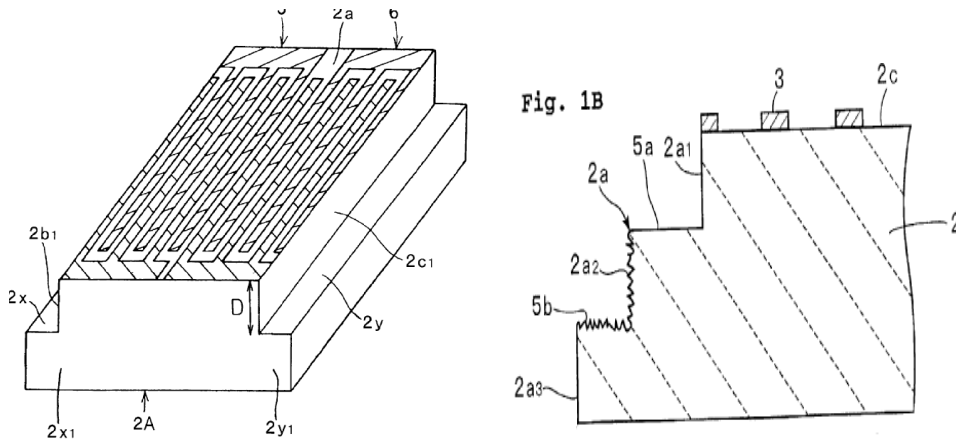
US5781083

[H03H 9/02677](#)

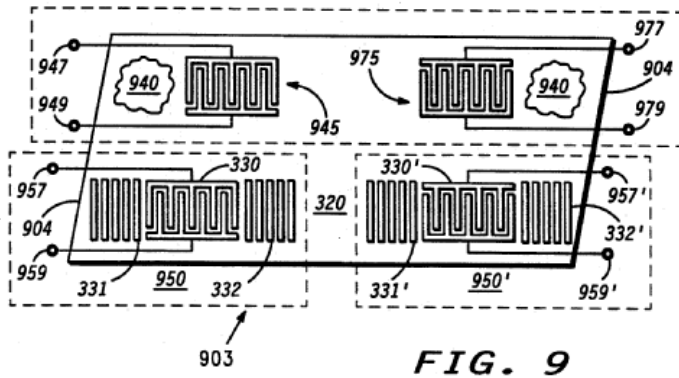
Edge reflecting SAW devices whose propagation substrates have complex cutting at the reflective end in order to improve parts of the frequency characteristics (e.g. side lobe suppression, ripple, etc.).



WO2005050836



US2003034859 US2003071539

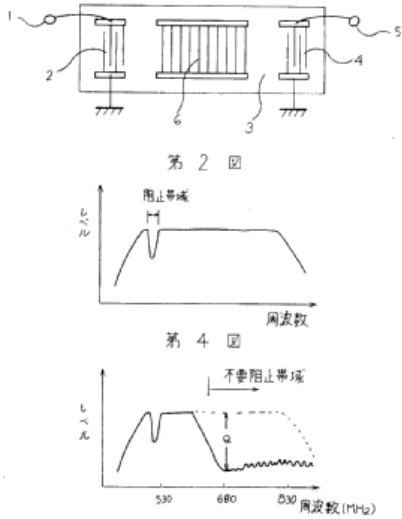


US5287036

[H03H 9/02685](#)

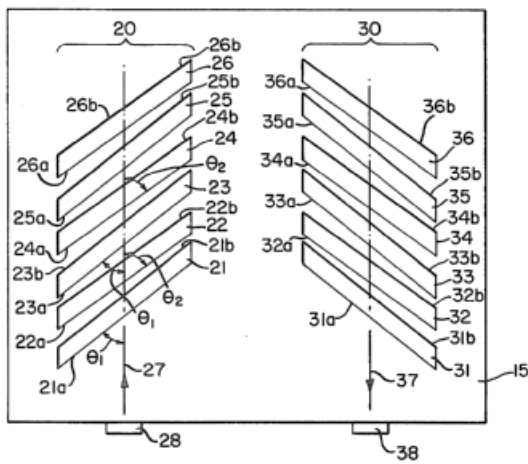
The class accommodates documents disclosing particular reflective gratings for both SAW resonators and SAW filters.

When the reflector shape is apparently a common one, but is however of importance for the subject-matter of the document (e.g. dimensions and positioning of the reflector is of great importance for the inventions like in JP57063920, below), the document should also receive [H03H 9/02685](#):

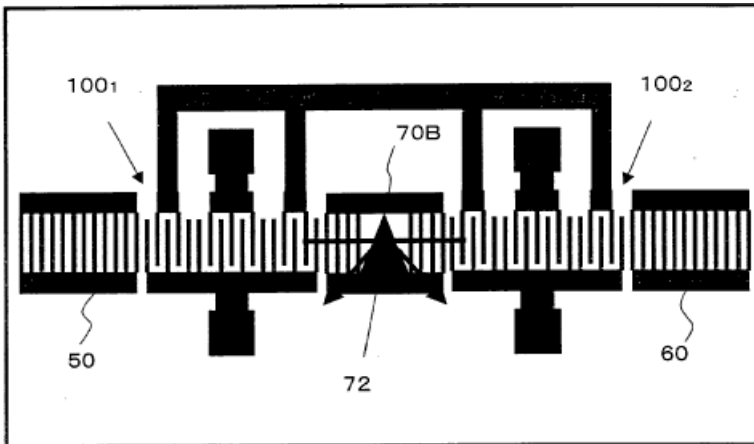


JP57063920

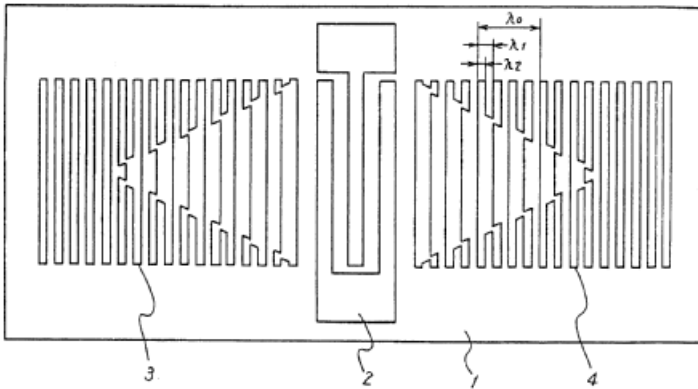
"Non-standard", complex shapes of reflective entities would also get a class in [H03H 9/02637](#):



US4210883



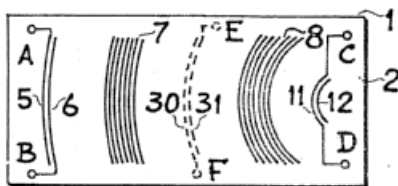
US2004075511



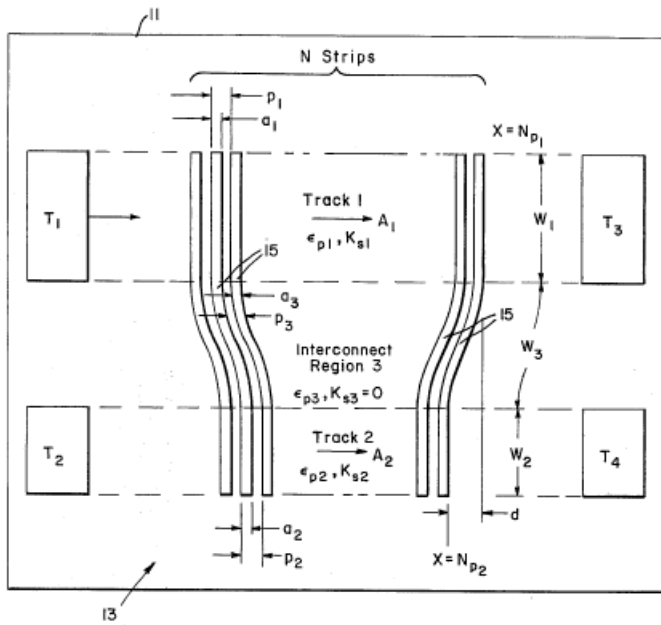
JP61061512

[H03H 9/02692](#)

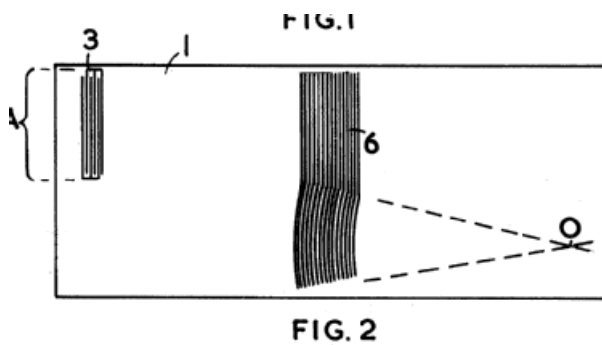
The class accommodates documents disclosing partially circular, elliptic, hyperbolic, or more generally curved shapes.



US4013983



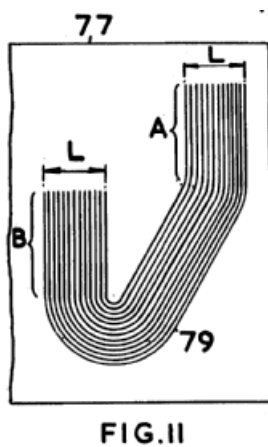
US4038614



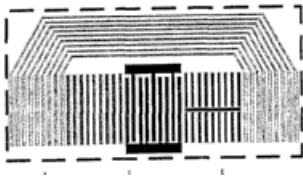
CA966588

[H03H 9/027](#)

The class accommodates documents disclosing U-, V- or round L-shaped grating lines

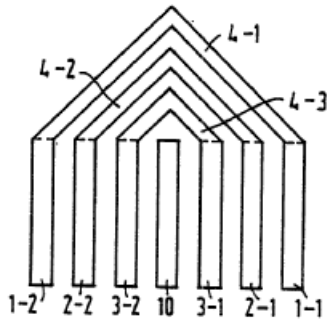


CA966588

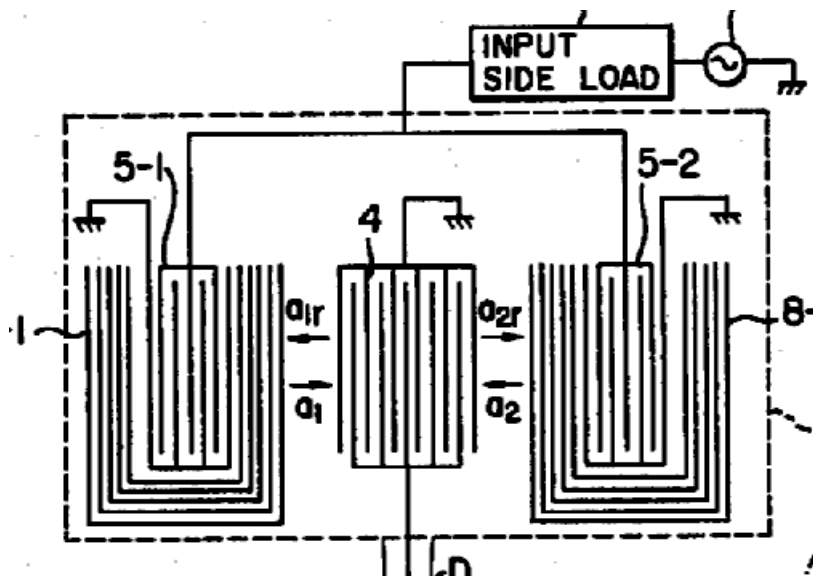


US2004096139

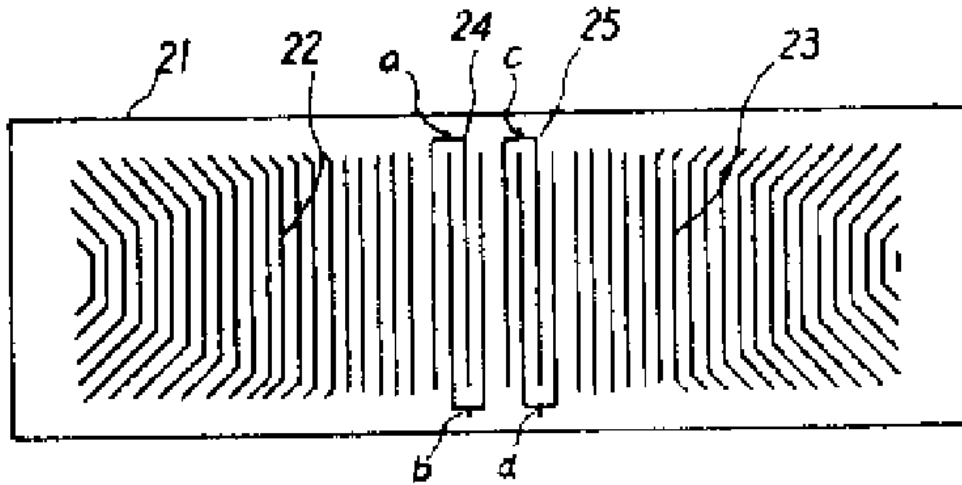
FIG 1



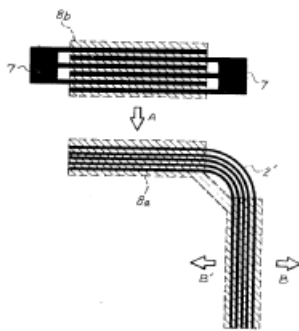
DE4228223



US4468642



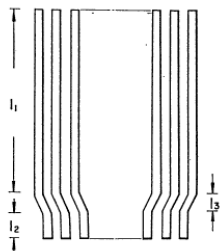
JP61004316



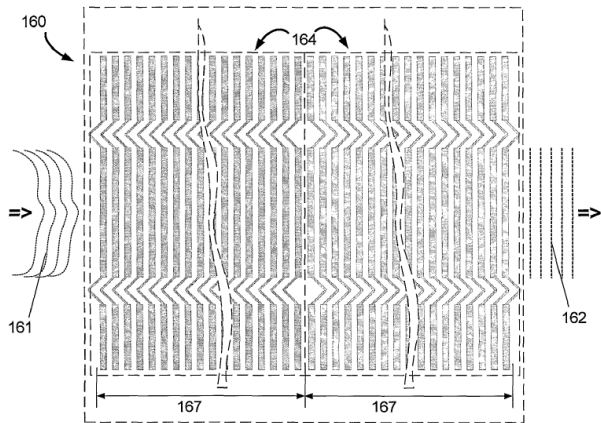
JP55153418

[H03H 9/02708](#)

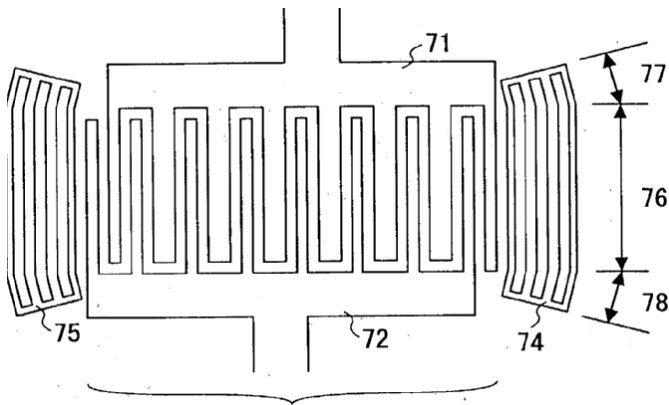
The class accommodates documents disclosing grating lines which are piecewise linear, but not straight. These kind of reflective arrays improve the broadness of the band and reduce dispersion. See for analogy the corresponding class under [H03H 9/145](#) for shifted transducers (currently the right entry in [H03H 9/145](#) could not be given due to reorganisation works in there).



GB2175477



US2004096139

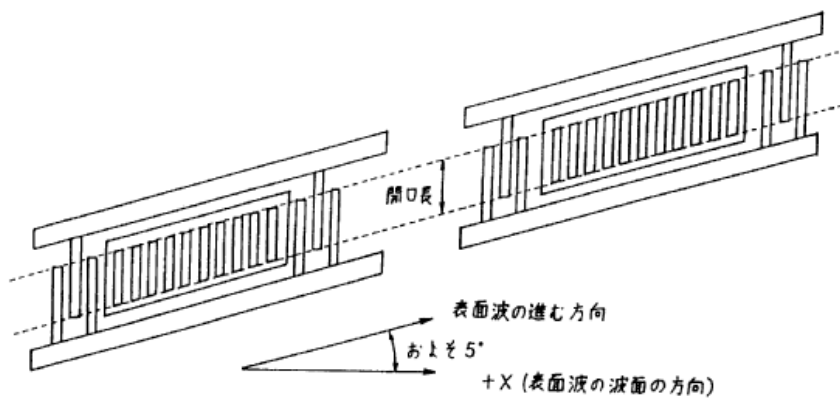


US2003193668

[H03H 9/02716](#)

The class accommodates documents disclosing tilted, fan shaped or slanted grating lines. Sometimes the docs should be classified in the chirp reflectors class, too.

FIG. 20



WO9717757

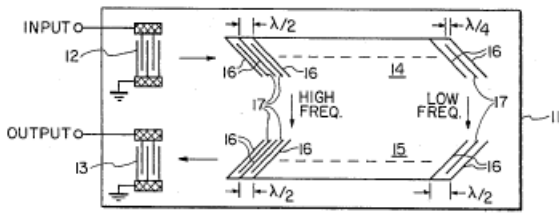


FIG. 1

US4801836

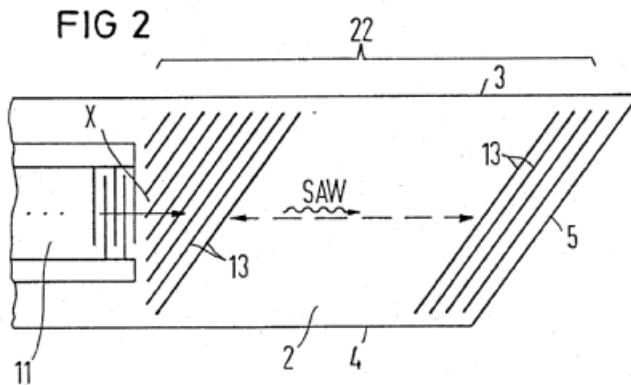


FIG 2

DE3731309

[H03H 9/02724](#)

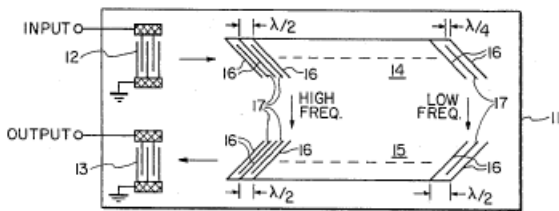
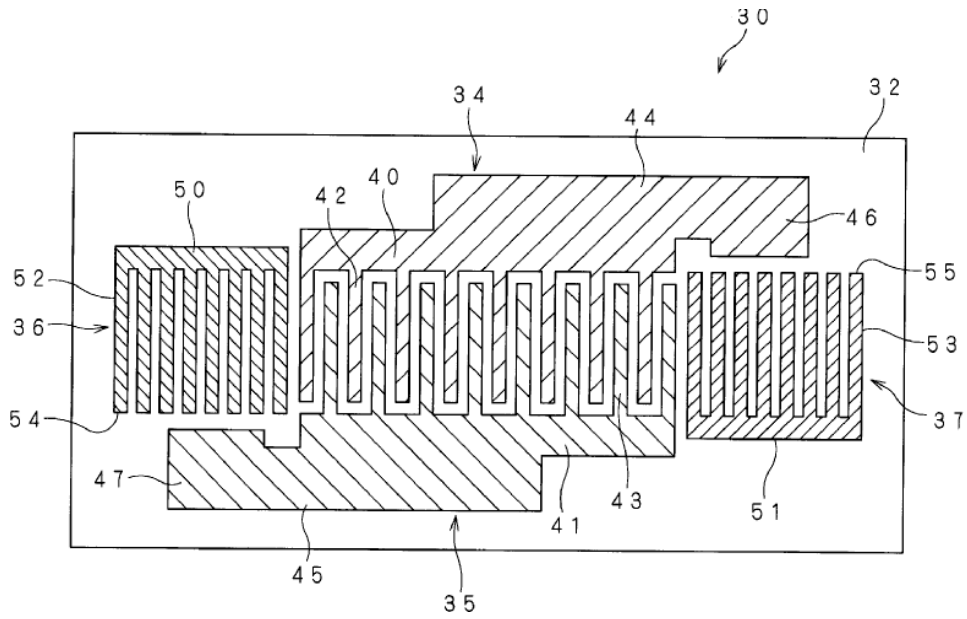


FIG. 1

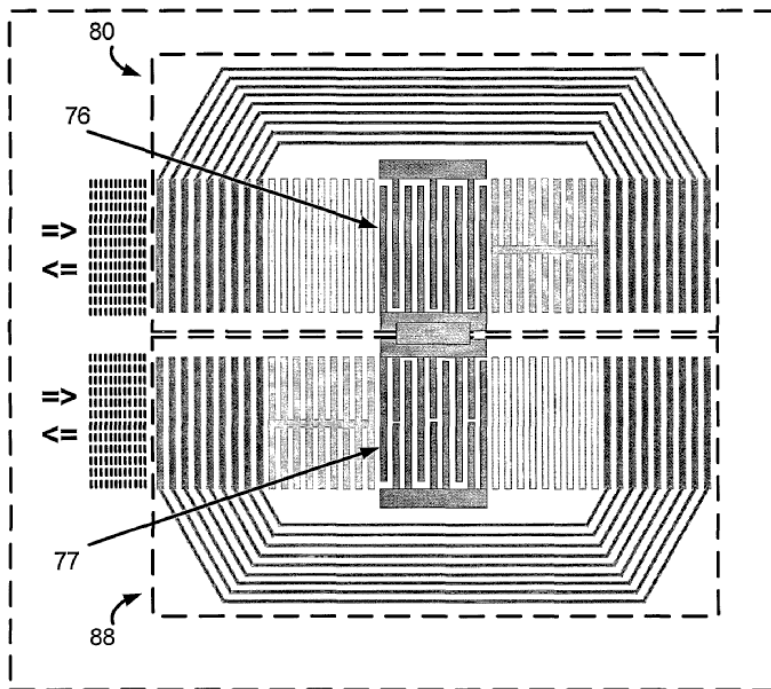
US4801836 (see comb like gratings 16)



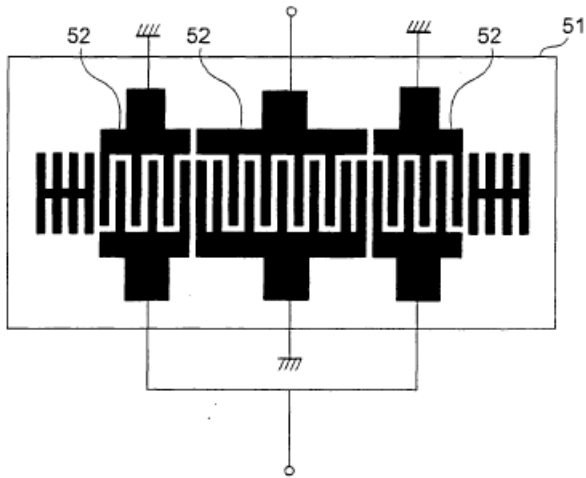
(see comb like gratings 54, 55)

[H03H 9/02732](#)

The comb like reflectors have a median short circuiting line:



US2004096139

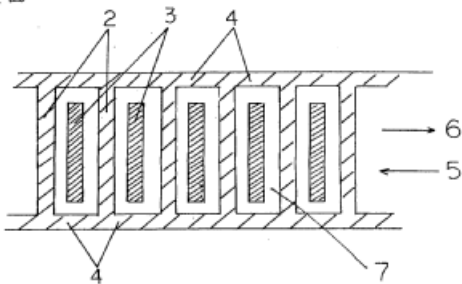


EP1926210

[H03H 9/0274](#)

Grating lines are floating or grounded and disposed inside the IDTs:

第2图



JP60263505

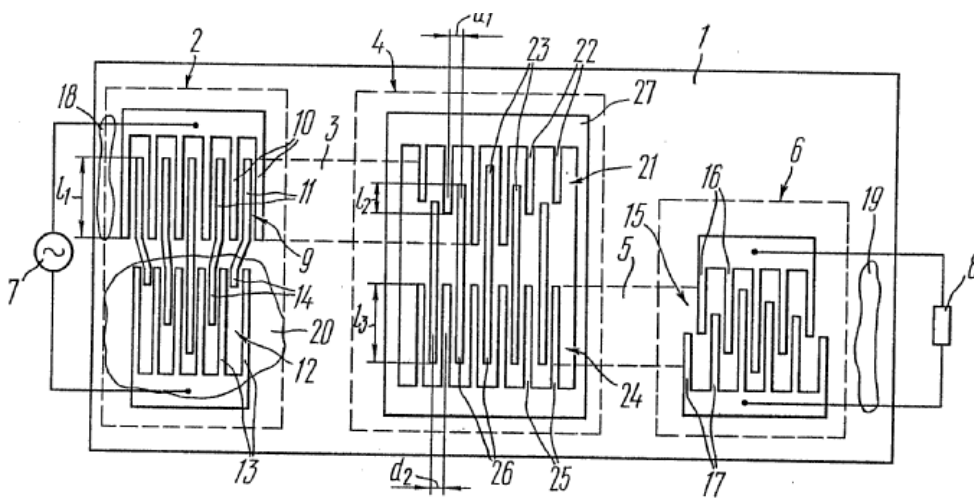
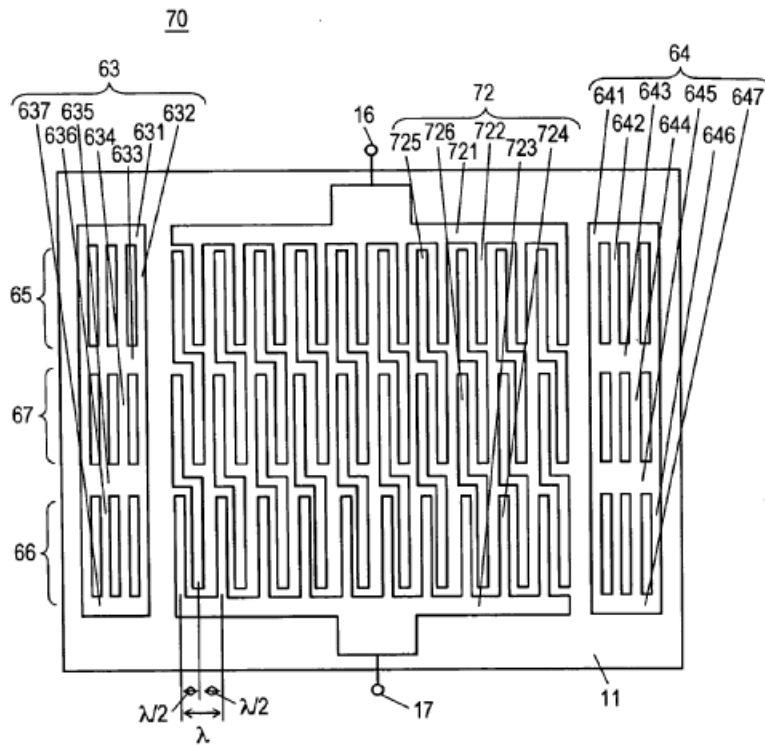


FIG.1

WO8002090

[H03H 9/02748](#)

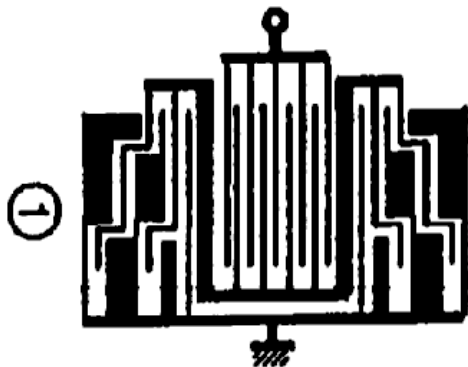
FIG. 11



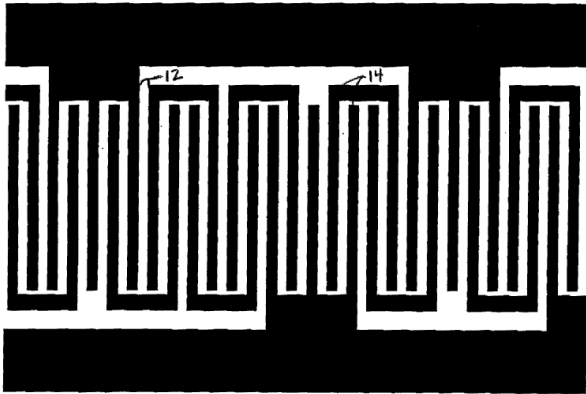
EP1463200

[H03H 9/02755](#)

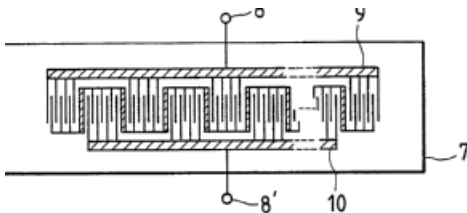
Grating lines of meander form are floating or grounded and disposed inside the IDTs. Apparent overlaps subject-matter of [H03H 9/14508](#) (polyphased IDTs), but there the meandering electrode(s) are connected to a hot wire phase (i.e. neither grounded nor floating).



XP000977542



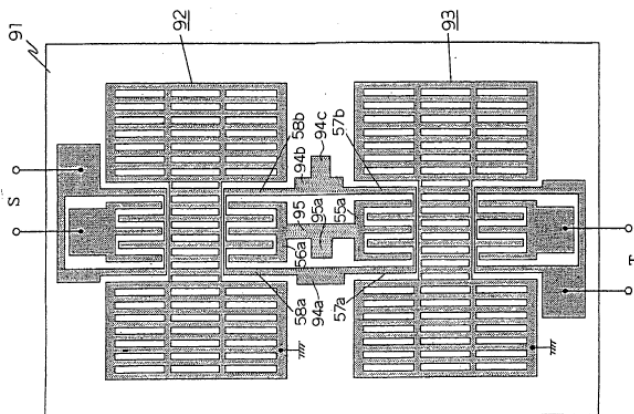
US2003067370



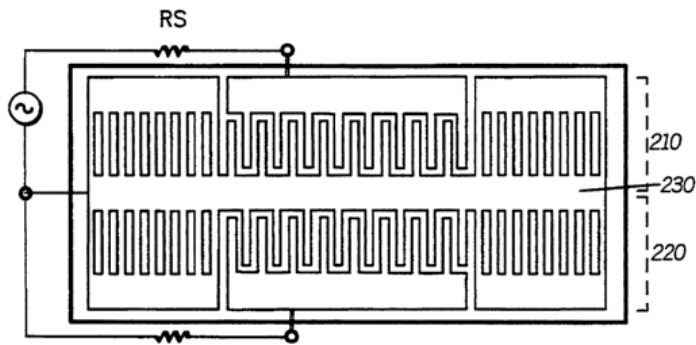
EP0337703

[H03H 9/02763](#)

The reflectors on the left and right side of the (filter) resonator are electrically connected on the substrate via a comb electrode which is part of the IDT (and obviously connected to ground or floating) (see US5363073), or via an intermediate reflector disposed inside the IDT arrangement (EP1276236), or otherwise (XP000439202).

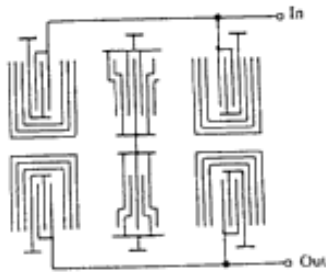


EP1276236



US5363073

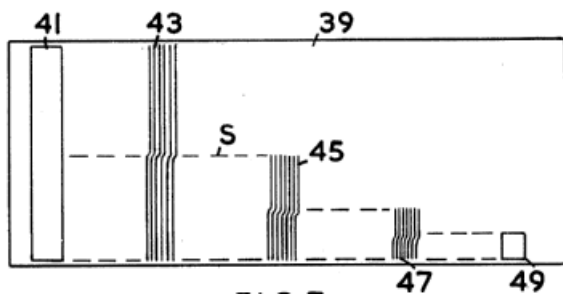
Sometimes U-shaped reflectors are "eligible" for the present class, too:



XP000439202

[H03H 9/02771](#)

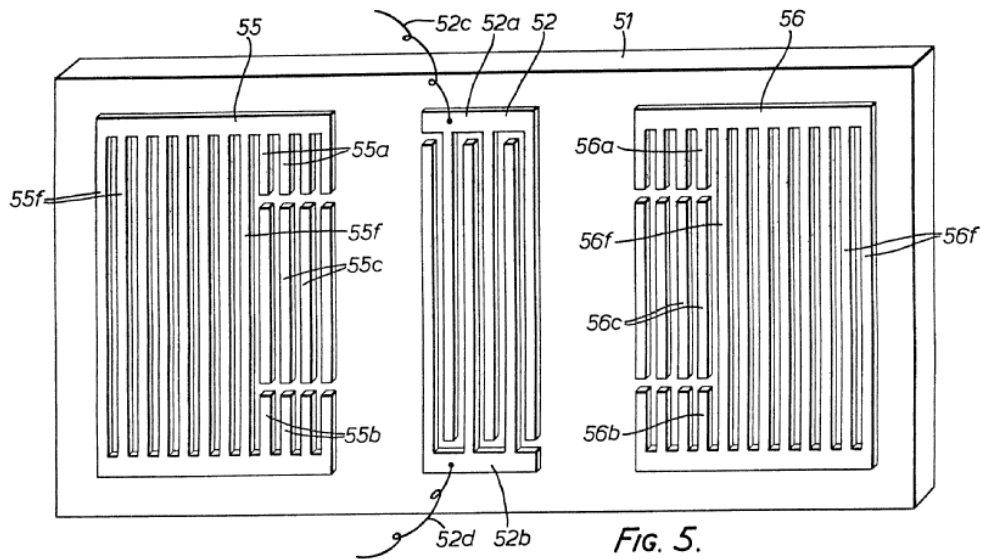
Reflector banks contain more than two reflective patterns in the same reflector unit, or the reflector unit has of at least two separated groups of identical patterns reflectors, which are mutually spaced.



CA966588



XP008032241

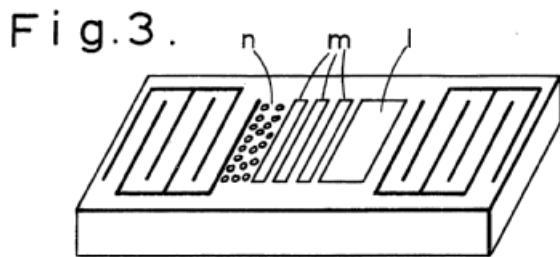


US4340834

[H03H 9/02779](#)

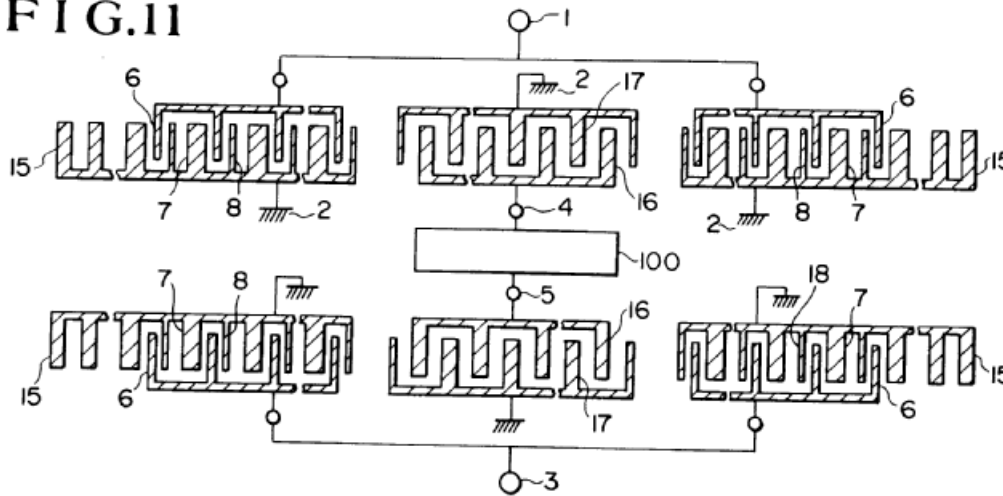
Continuous, "massive" (most of the times) metallic or electrically conductive deposition which is meant to reflect the SAW waves to a certain direction, and to attract the skimming component of the waves to the surface and therefore improve the directivity and frequency content of the surface acoustic waves by reflections and self cancellation of harmonic components.

It has not to be confounded with wave guides which have the dominant dimension (let's call it length) oriented in the direction of propagation of the useful SAW (see [H03H 9/02661](#)).

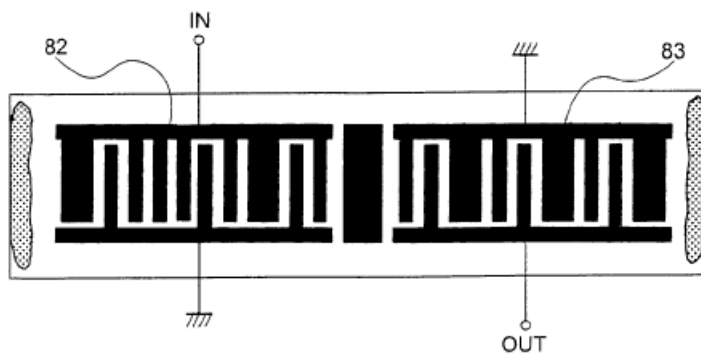


GB2000409

FIG.11



DE4313981



EP1926210

[H03H 9/02787](#)

Sometimes the conductive deposition mentioned in [H03H 9/02653](#) also has the role of focusing the surface acoustic waves in order to reduce the dispersion or simply to direct it to (usually) output IDTs. The shape should be adequately designed, that is the length of the metallic deposition, which also should be its dominant dimension, is oriented in the propagation direction of the waves.

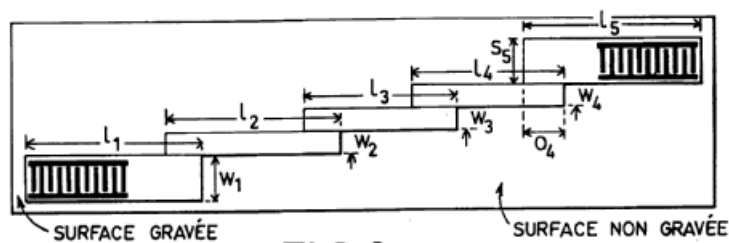
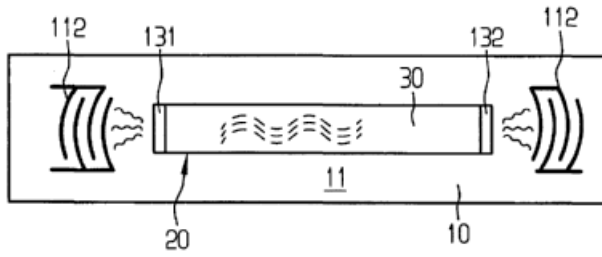
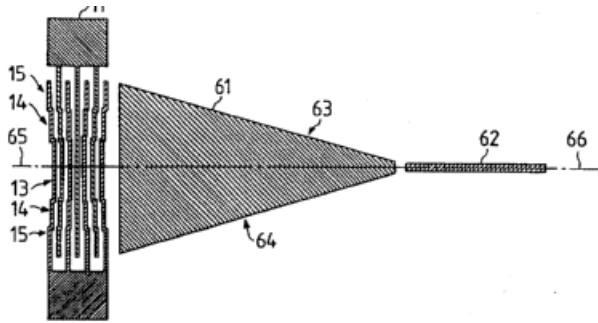


FIG.8a

FR2788176 (this wave guide is a track changer, too - see note below)



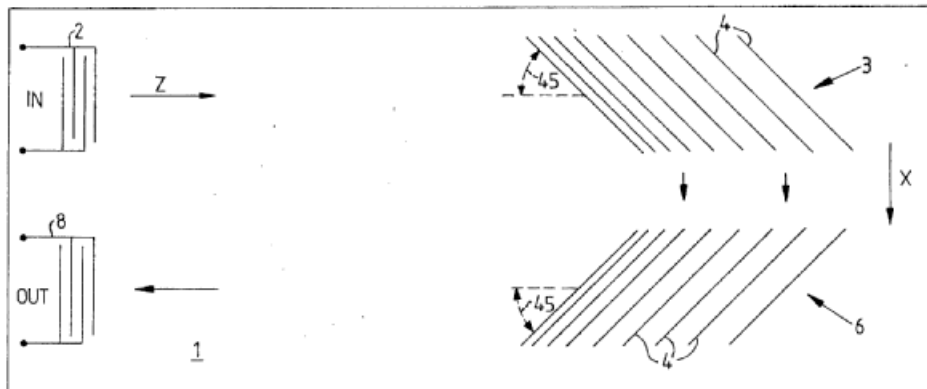
DE19822501



US5717274

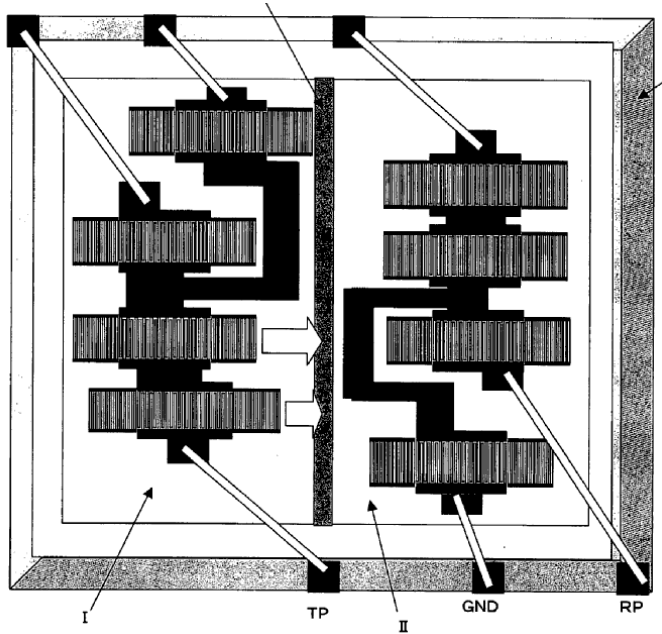
Notes:

a) Confusion should be avoided with [H03H 9/02795](#), where the track changers are made of strips:

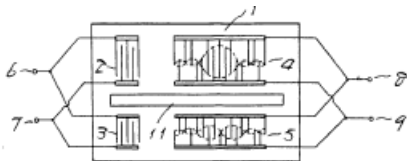


US4336514

b) Documents in which the conductive deposition sets the goal of separating propagation path on the substrate are only to be classified in [H03H 9/02905](#). For example:



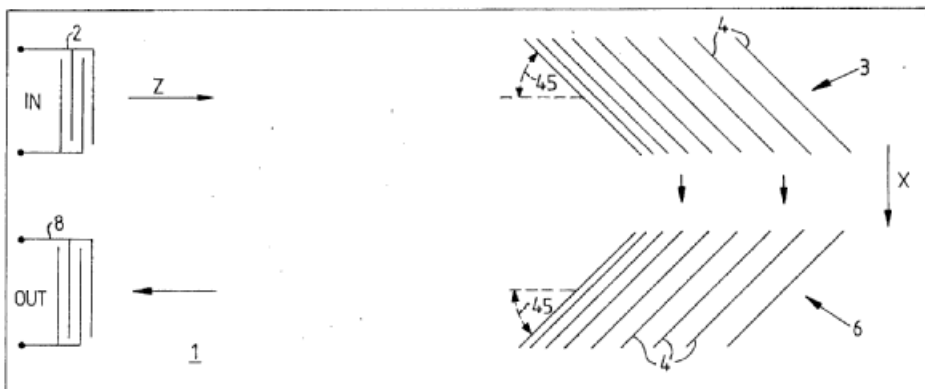
US2005156687



JP57063921

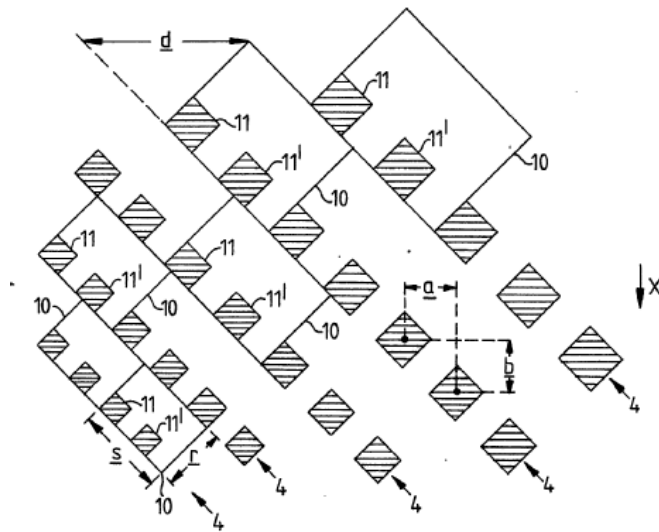
[H03H 9/02795](#)

Could be chirped, where another classification entry (e.g. [H03H 9/02811](#)) is also allocated:



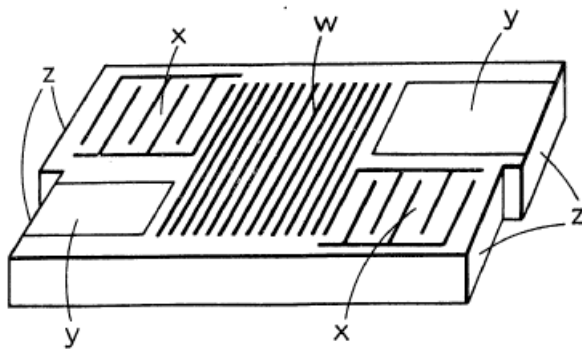
US4336514

The couplers could be also dot arrays,



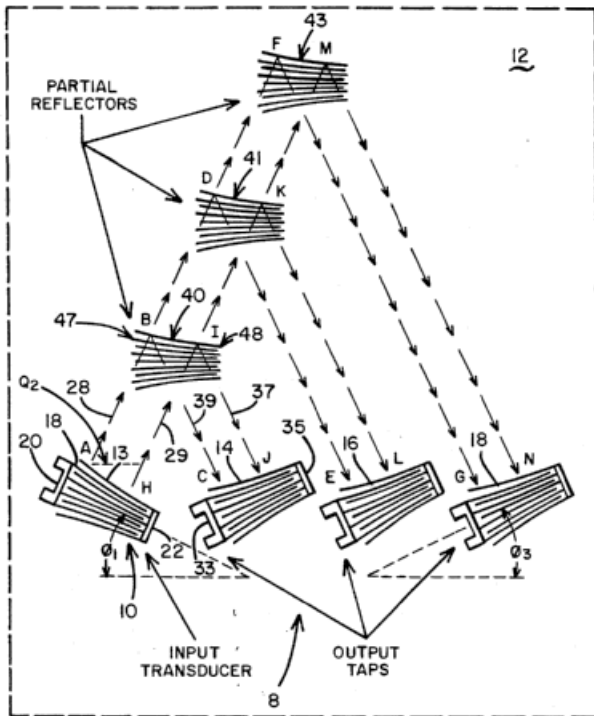
GB2060305

simple gratings,



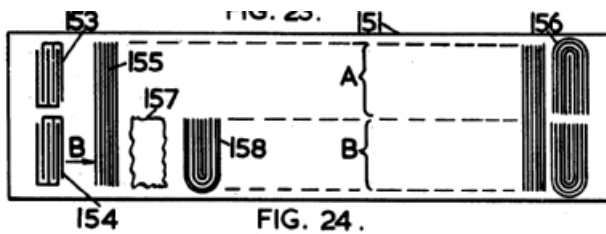
GB2000409

arched gratings,



US4749971

or U-shaped gratings:

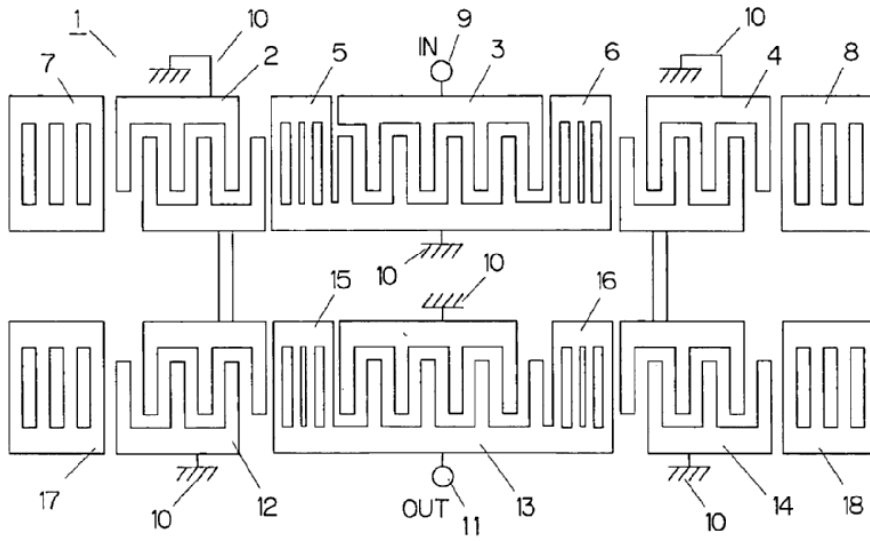


CA966588

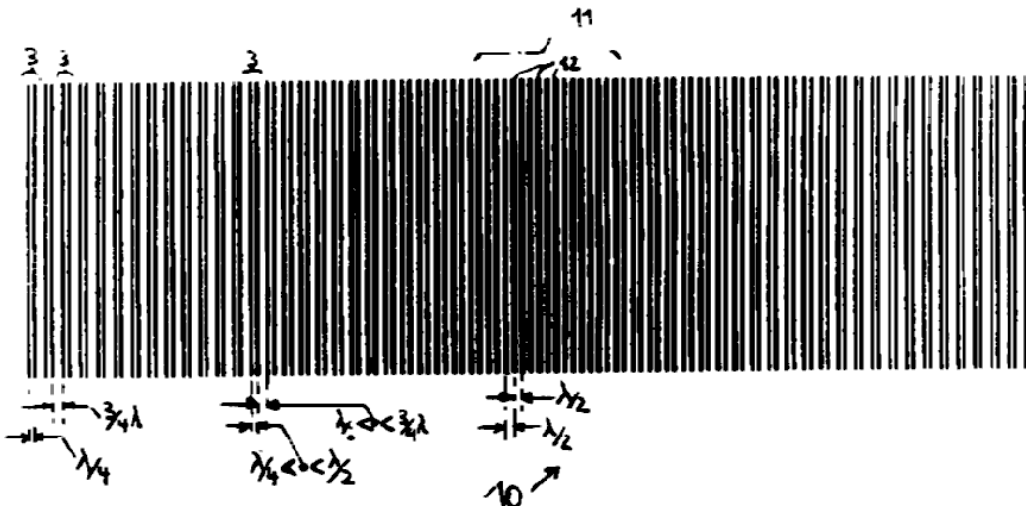
Inclined track changers, like US4336514 or GB2060305 above, are also classified in [H03H 9/02716](#).

[H03H 9/02803](#)

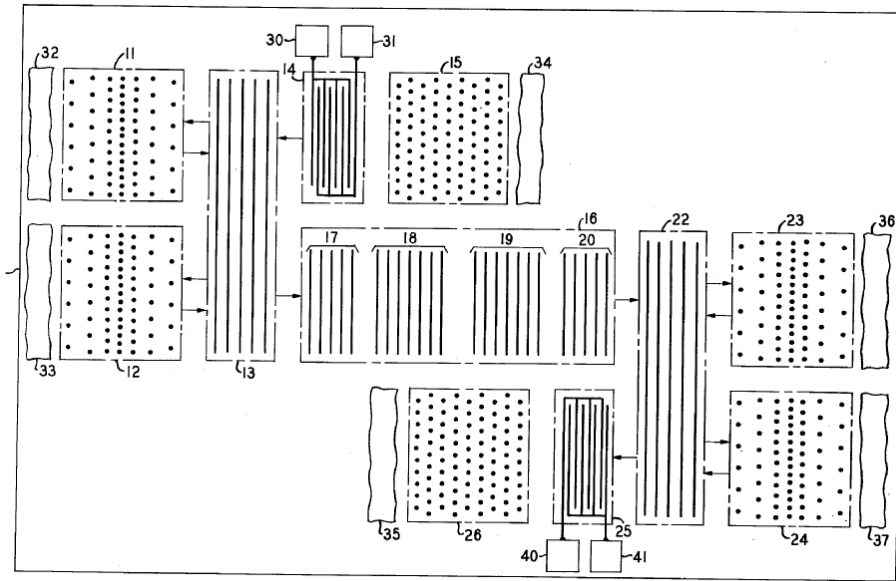
Weighing could be done by any method (i.e. apodisation, withdrawal, thickness etc.)



US2005001696



DE4213117

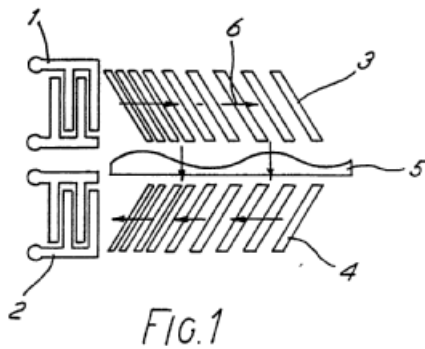


US4155056

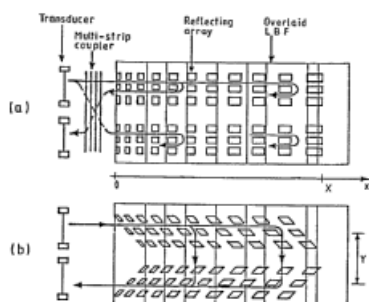
[H03H 9/02811](#)

The chirped arrangement is well know for its advantages on e.g. achieving broad band spectra, reducing the length of the substrate or the resultant ripple.

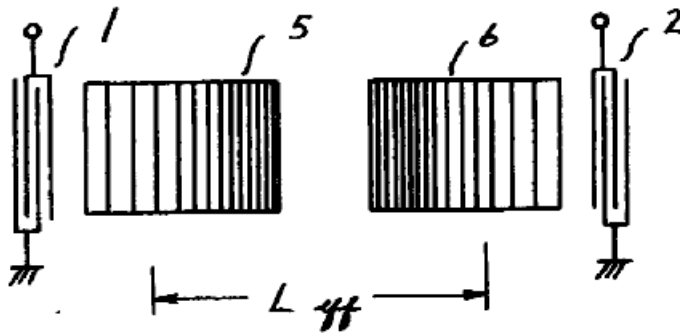
The chirped arrangement applies to dot arrays, multi-strip couplers (MSC), apparent floating or shorted strips reflectors or grooves:



GB2214020 (MSC type)



XP010075436



JP56078219 (shorted strips reflector type)

[H03H 9/0504](#)

The documents classified in [H03H 9/0504](#) relate to holder and supporting means details for BAW devices.

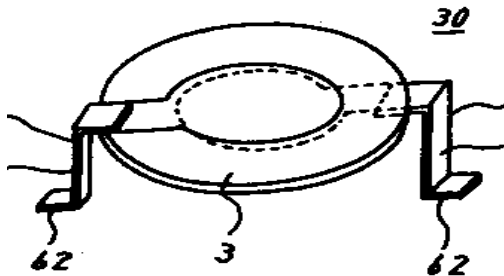
If the supporting means consist of temperature regulation means, then classify also in [H03H 9/08](#).

If the supporting means consist of elastic or damping means, then classify also in [H03H 9/09](#).

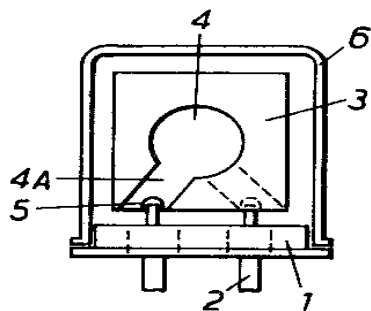
Note: Manufacture details about holder and supporting means details should not be classified in the manufacture classes. (i.e [H03H 3/00](#) and subgroups)

[H03H 9/0509](#)

The holder and supporting means consisting of adhesive.

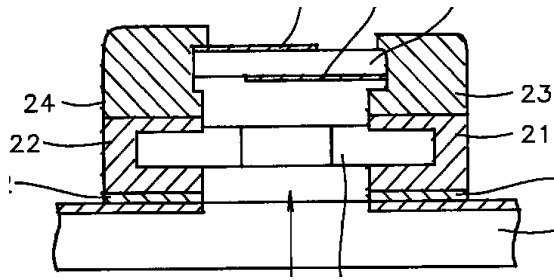


JP 59144213

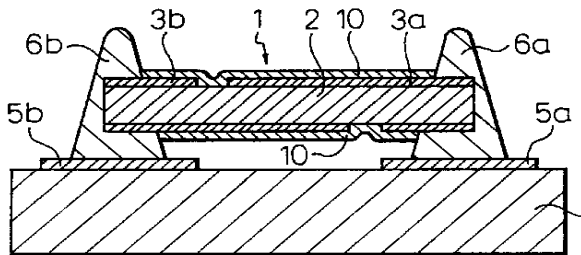


GB 1419680

In some cases, the adhesive is surrounding the side ends of the BAW device.



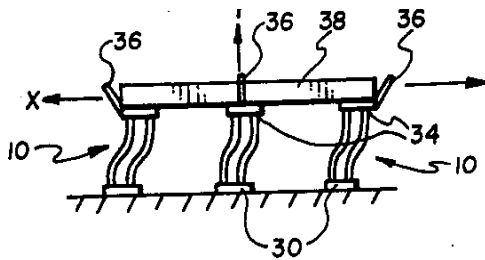
US 5945774



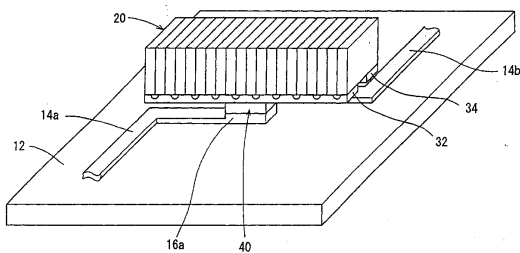
US 6141844

[H03H 9/0514](#)

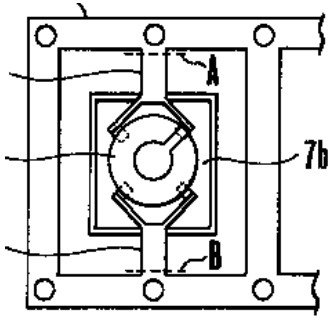
The holder and supporting means consisting of mounting pads or bumps.



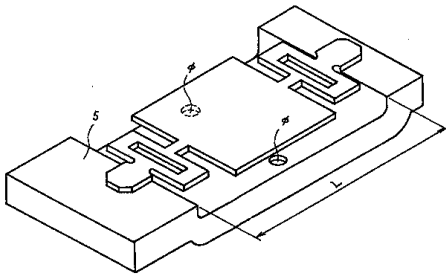
US 5030876



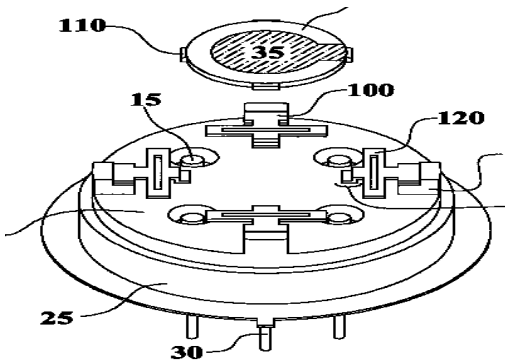
EP 1067684



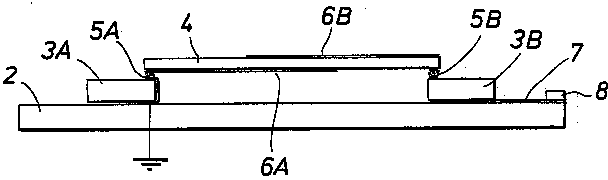
US 4486681



JP 59133721



WO 03100876

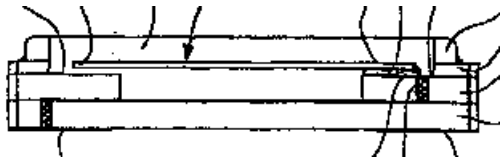


US 4967166

[H03H 9/0519](#)

The holder and supporting means consisting of mounting pads or bumps for cantilever.

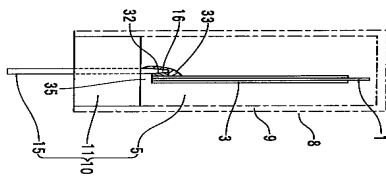
Note: [H03H 9/1021](#) takes precedence over [H03H 9/0519](#) (unless there is a lot of details about the supporting means of the cantilever).



EP 1187322



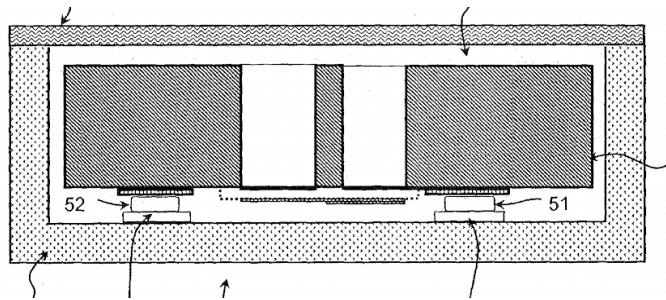
JP 53071597



WO 9831095

[H03H 9/0523](#)

The holder and supporting means consisting of mounting pads or bumps for flip-chip mounting.



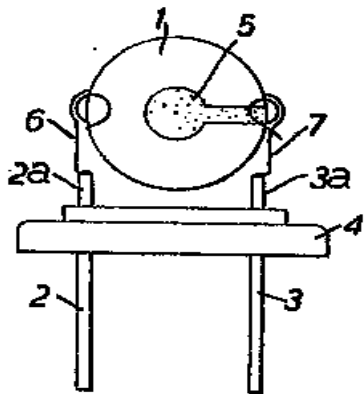
US 2003/186673

[H03H 9/0528](#)

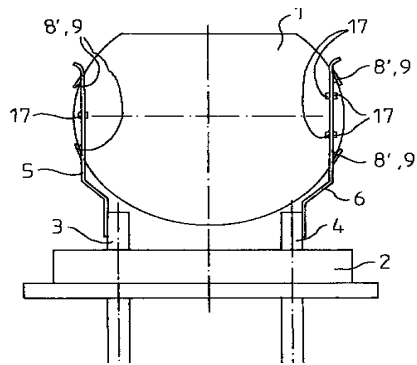
The holder and supporting means consisting of clips.

The piezoelectric device is held between two supporting means.

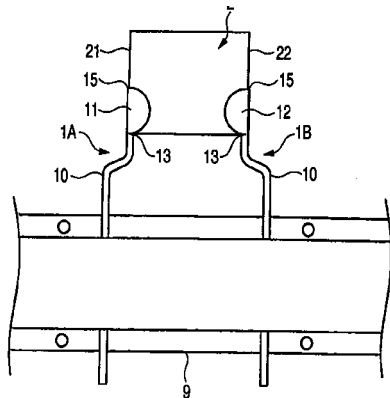
The two supporting means are shaped to exert a gripping pressure.



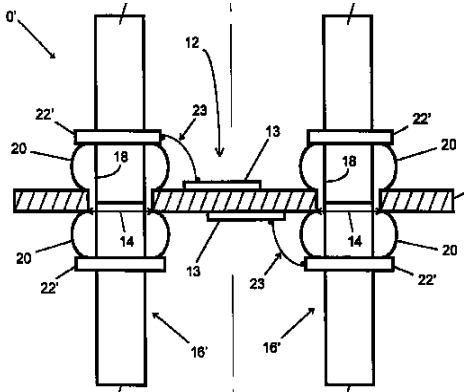
GB 1175244



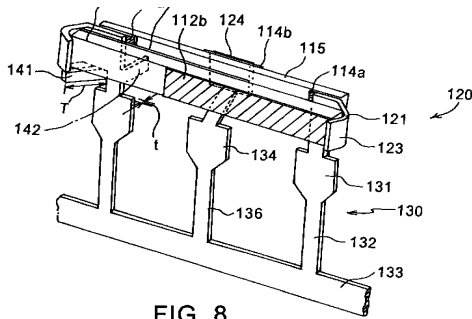
DE 29900259U



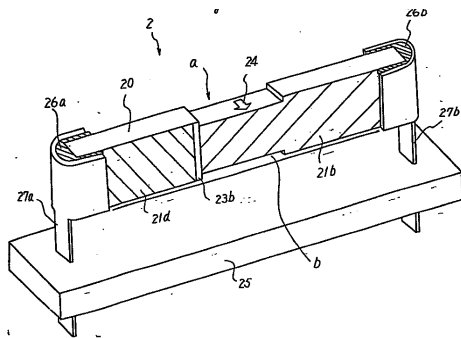
US 2005140250



US 5834881



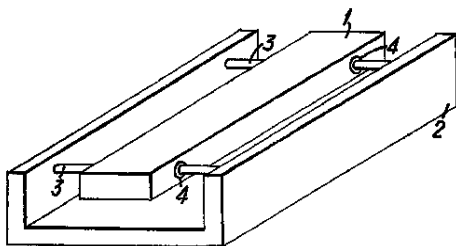
US 6087763



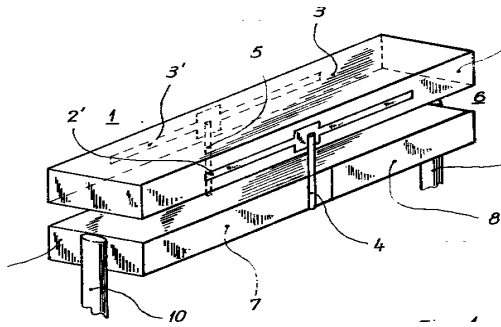
EP 0083237

[H03H 9/0533](#)

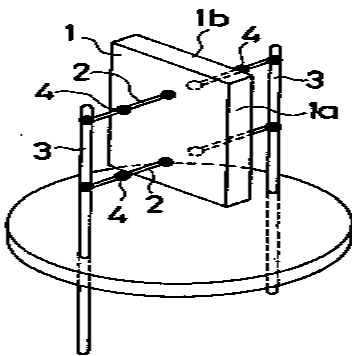
The holder and supporting means consisting of wire.



GB 1219066



US 4065684



JP 56138315

[H03H 9/0538](#)

The documents classified in [H03H 9/0538](#) relate to details of arrangement of electromechanical device(s) with other electronic component(s).

Documents classified in [H03H 9/0538](#) and lower disclose details of the way the electromechanical devices and the other electronic components are arranged together.

Details about lateral arrangement are classified in [H03H 9/0542+](#).

Details about vertical arrangement are classified in [H03H 9/0547+](#).

Details about BAW/SAW duplexers arrangement are classified in [H03H 9/0566+](#).

Note:

Documents concerning duplexers should not be classified in [H03H 9/0538](#) and lower but in the duplexer classes ([H03H 9/706](#) and [H03H 9/725](#)).

[H03H 9/0542](#)

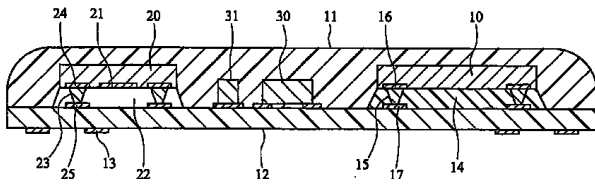
The documents classified in [H03H 9/0542](#) relate to a lateral arrangement of the electromechanical device(s) and the other electronic component(s).

The components are disposed substantially on the same plane creating a lateral arrangement.

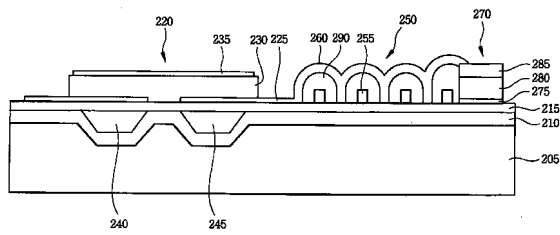
For the time being, documents should be classified in [H03H 9/0538](#) and with the keyword: 09 05b1 lateral arrangement ([H03H](#)): lateral arrangement of the electromechanical device(s) and the other electronic component(s)



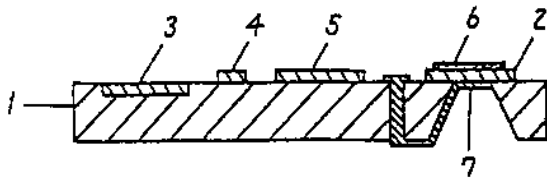
US2006/194370



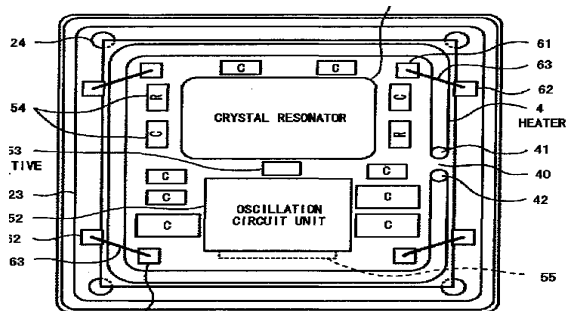
US2006/099390



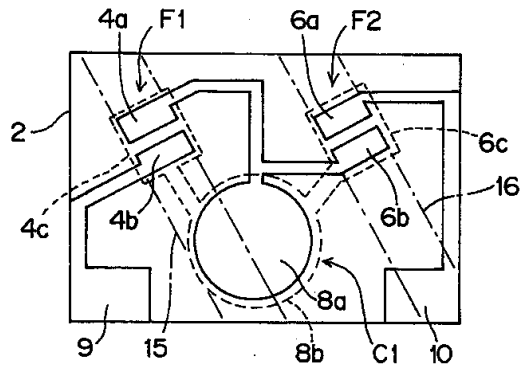
US2006/139121



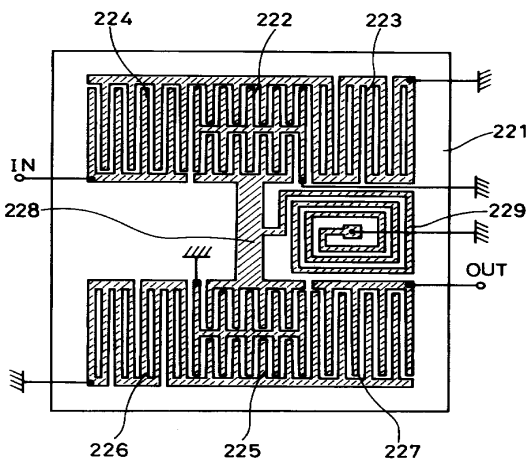
EP0591918



EP1612930



US5594396



US5932950

Note:

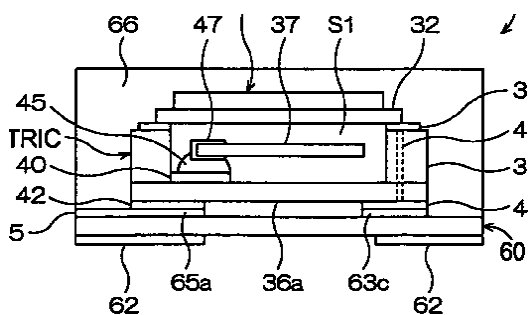
In order to avoid double classification, documents will only be classified in [H03H 9/0542](#).

[H03H 9/0547](#)

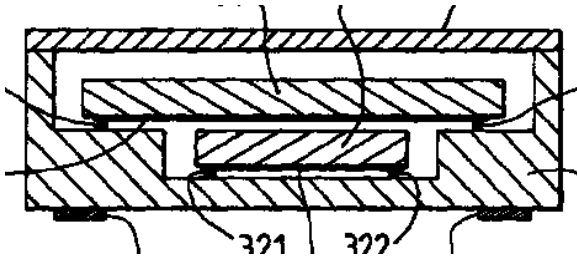
The documents classified in [H03H 9/0547](#) relate to a vertical arrangement of the electromechanical device(s) and the other electronic component(s).

The components are disposed so as to be the one on top of the other one in a vertical plan.

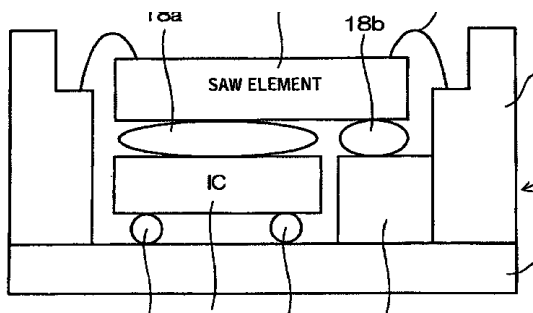
For the time being, documents should be classified in [H03H 9/0538](#) and with the keyword: 09 05b2 vertical arrangement ([H03H](#)): vertical arrangement of the electromechanical device(s) and the other electronic component(s)



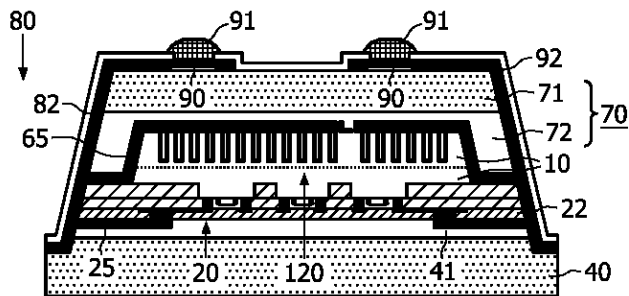
EP1727275



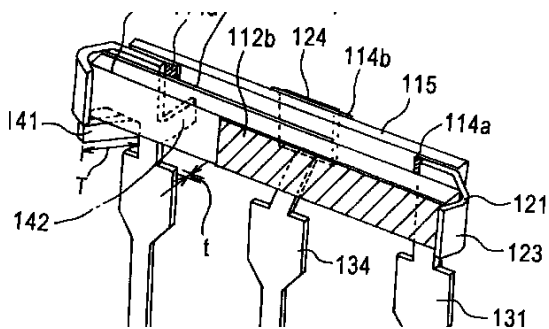
EP0998038



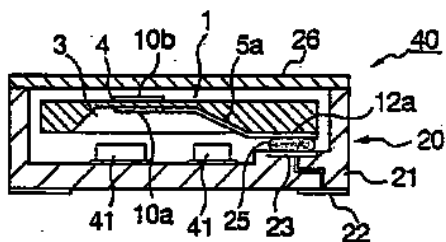
US2005/093171



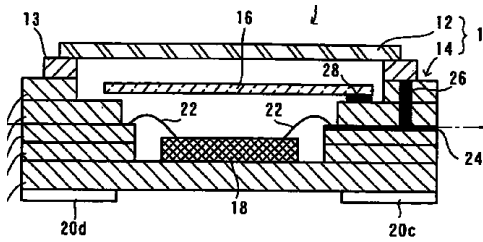
WO2007004137



US6087763



US2004/174092

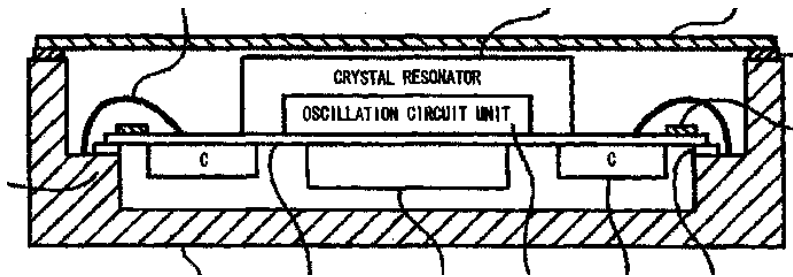


US2005/269911

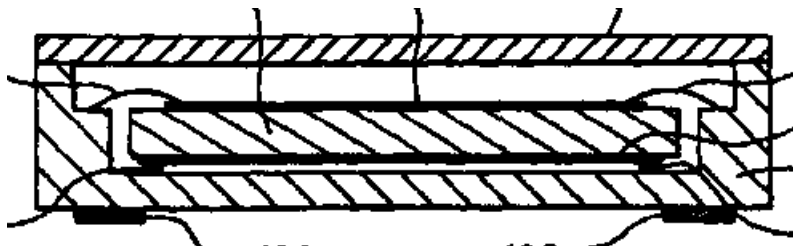
[H03H 9/0552](#)

The documents classified in [H03H 9/0552](#) relate to a vertical arrangement of the electromechanical device(s) and the other electronic component(s) wherein the different components are mounted on opposite sides of a common substrate.

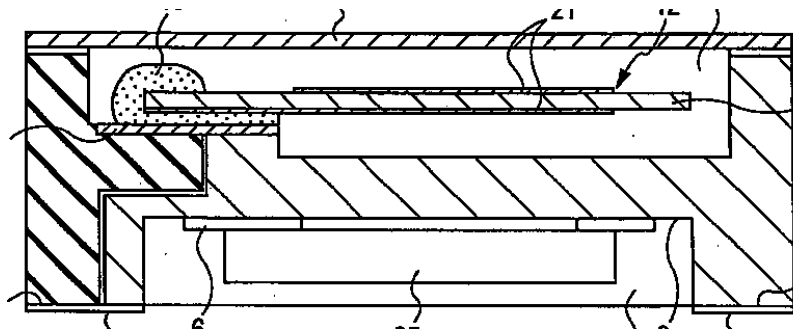
For the time being, documents should be classified in [H03H 9/0538](#) and with the keyword: 09 05b2a vertical arrangement dualface ([H03H](#)): vertical arrangement of the electromechanical device(s) and the other electronic component(s) wherein the different components are mounted on opposite sides of a common substrate



EP1612930



EP0998038

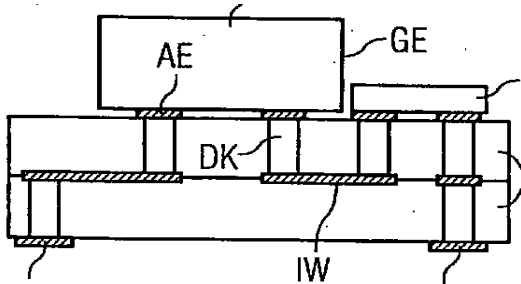


EP1689079

[H03H 9/0557](#)

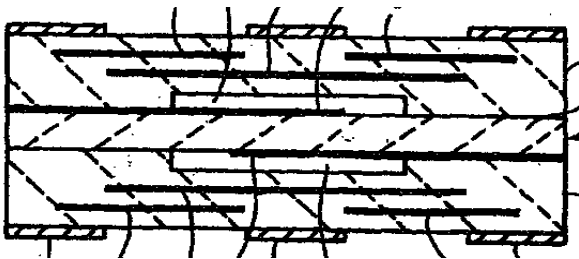
The documents classified in [H03H 9/0557](#) relate to a vertical arrangement of the electromechanical device(s) and the other electronic component(s) wherein the other electronic component(s) are buried in the substrate.

For the time being, documents should be classified in [H03H 9/0538](#) and with the keyword: 09 05b2b vertical arrangement buried ([H03H](#)): vertical arrangement of the electromechanical device(s) and the other electronic component(s) wherein the other electronic component(s) are buried in the substrate

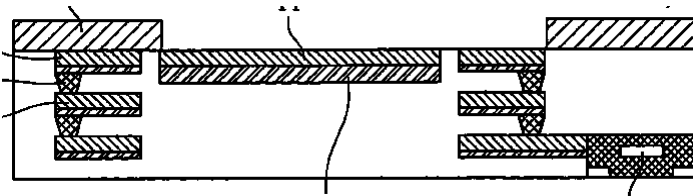


US2005/230812

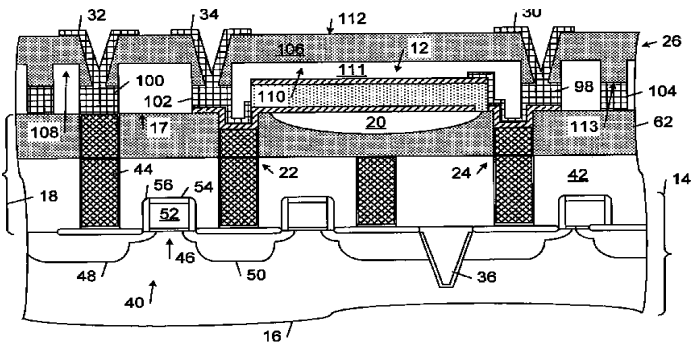
This document has also to be classified in [H03H 9/0542](#)



DE10060138



US2006/208833

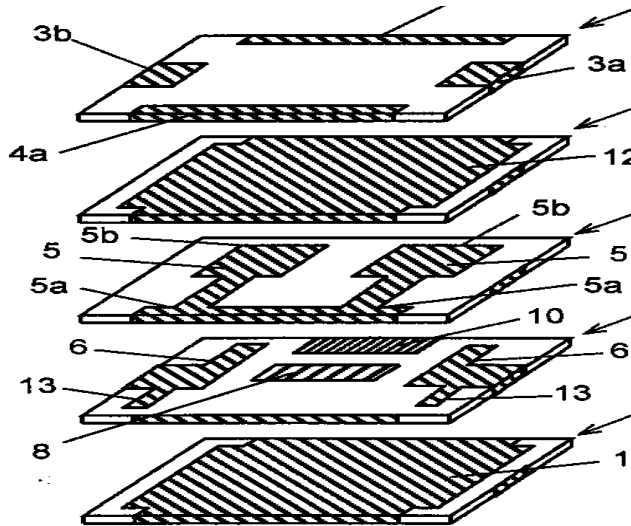


US2006/202779

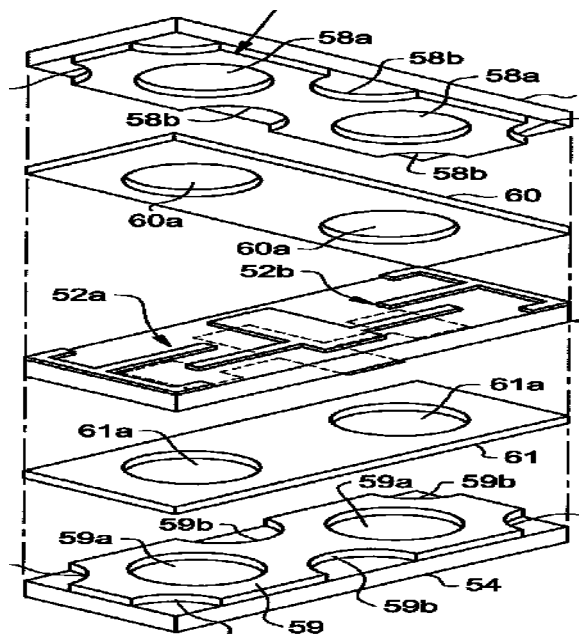
[H03H 9/0561](#)

The documents classified in [H03H 9/0561](#) relate to a vertical arrangement of the electromechanical device(s) and the other electronic component(s) wherein the whole component consists of a multilayered device.

For the time being, documents should be classified in [H03H 9/0538](#) and with the keyword: 09 05b2c vertical arrangement multilayered ([H03H](#)): vertical arrangement of the electromechanical device(s) and the other electronic component(s) wherein the whole component consists of a multilayered device



EP0930701



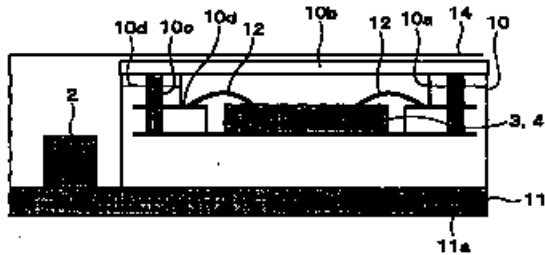
US2002/005684

Note:

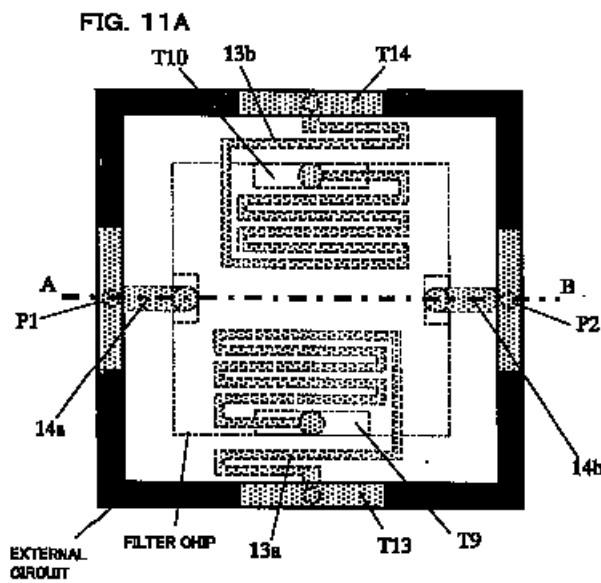
This technique is mostly employed for components including L or C elements.

[H03H 9/0571](#)

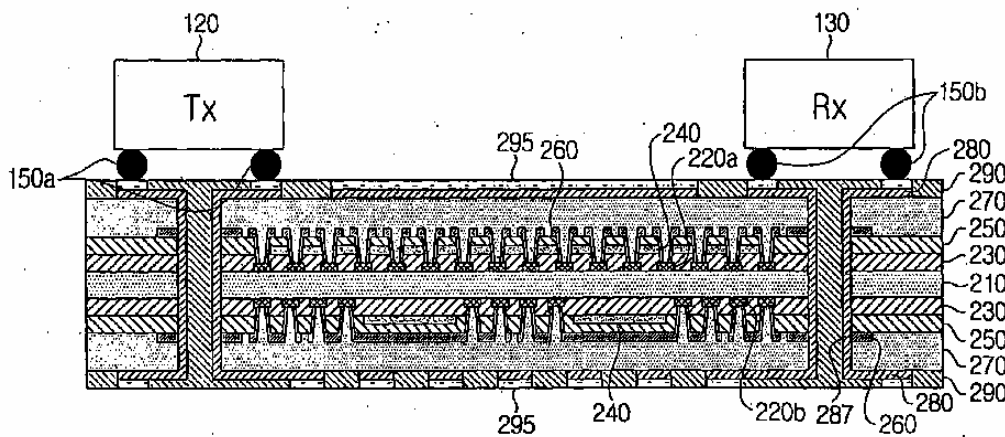
Documents relating to BAW duplexers packaging or disposal arrangements should ONLY be classified in [H03H 9/706](#) and with the keyword (i.e. class [H03H 9/0538](#) should not be allocated unless justified by other corresponding embodiments): 09 05b3b packaging aspects for baw duplexers ([H03H](#))



EP1519485



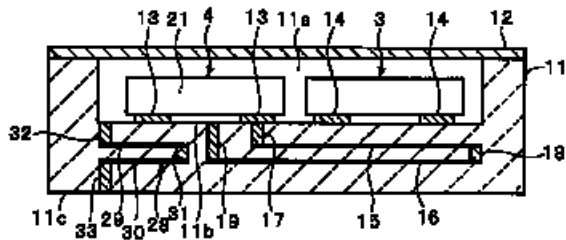
WO2005/050840 details of arrangement of parts of the duplexer on a chip part of the package



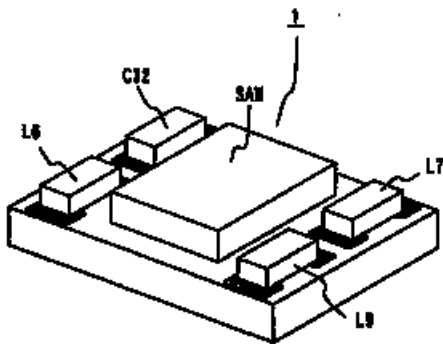
EP1508936 - Packaging aspects for BAW duplexer Note: in the doc it is also disclosed the BAW structure of Tx 120 and Rx 130

[H03H 9/0576](#)

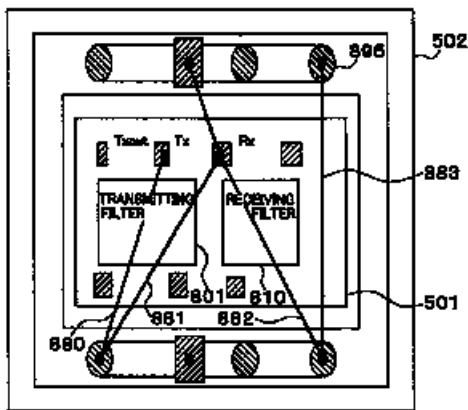
Documents relating to SAW duplexers packaging or disposal arrangements should ONLY be classified in [H03H 9/706](#) and with the keyword (i.e. class [H03H 9/0538](#) should not be allocated unless justified by other corresponding embodiments): 09 05b3s packaging aspects for saw duplexers ([H03H](#))



US2004/227586



WO2005/088833



US2003/112094

FIG. 5A

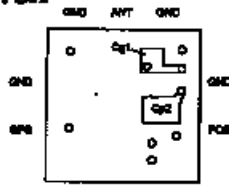


FIG. 5B

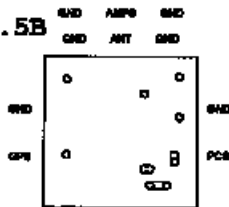


FIG. 5C

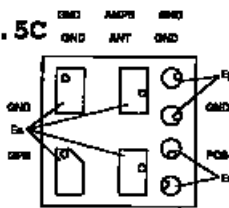
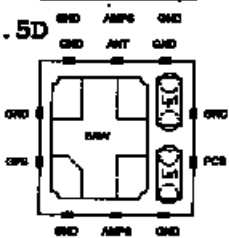


FIG. 5D



US2004/116098 multilayer/exploded views of the packages are also classified

EXTRA KWs to allocate

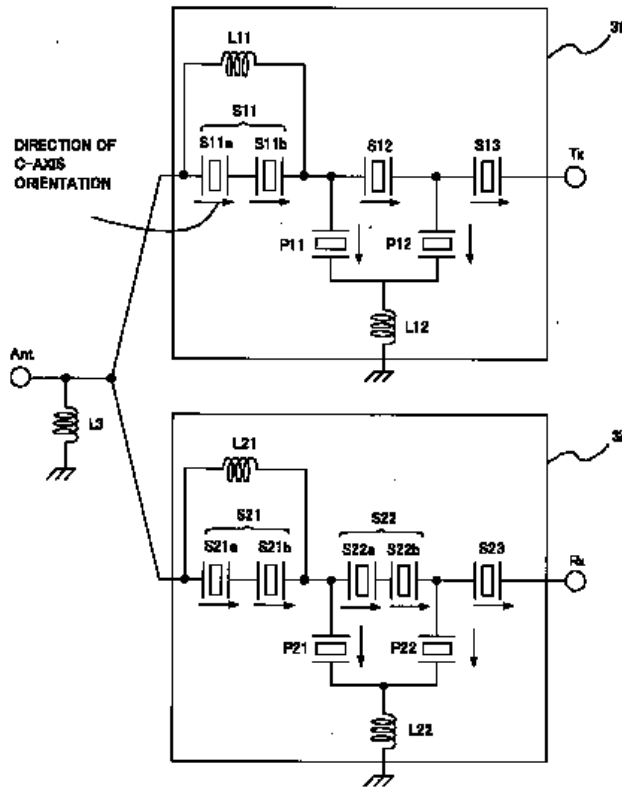
For completeness, when relevant LC impedance matching aspects are disclosed in the document already disclosing a BAW/SAW duplexer, this one should be also classified in **09** impedance matching ([H03H](#))

without allocating however a class in [H03H 9/0004](#) and subgroups.

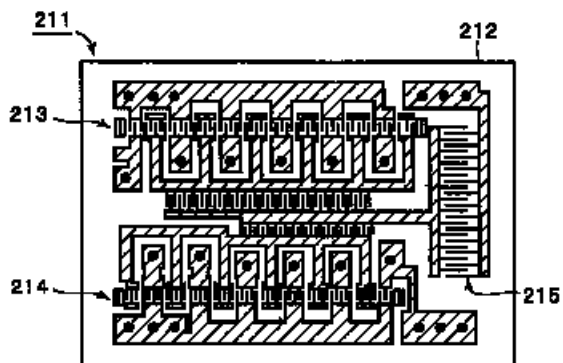
Like this, impedance matching aspects in duplexers could be easily retrieved by intersecting [H03H 9/70](#) and subgroups class with the above mentioned KW, without overcharging the [H03H 9/0004](#) and subgroups class.

Examples of impedance matching aspects:

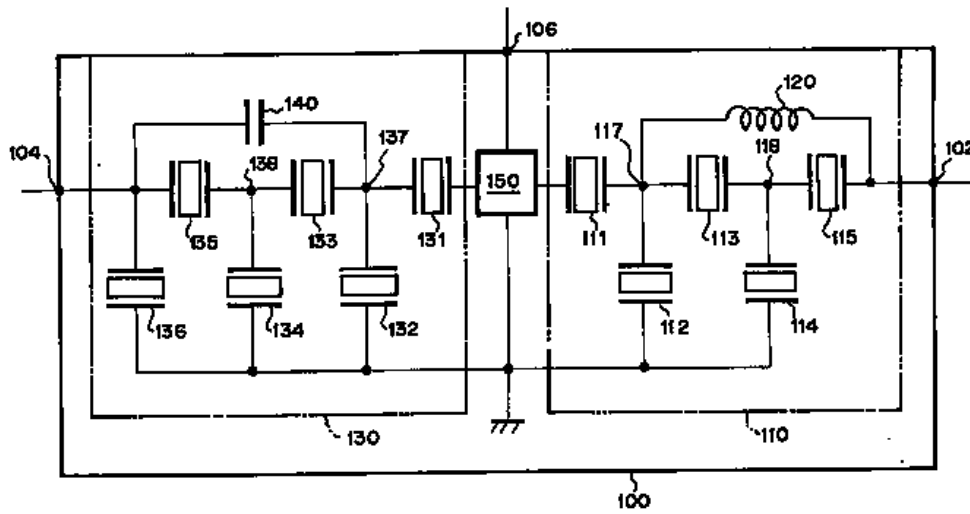
Fig. 9



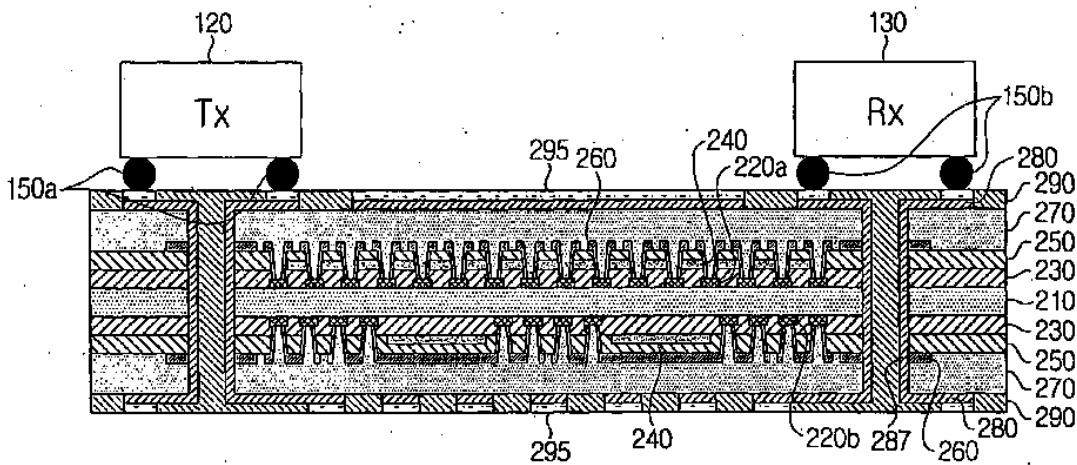
US2008055021 - Inductances L12, L22, L11, L3.



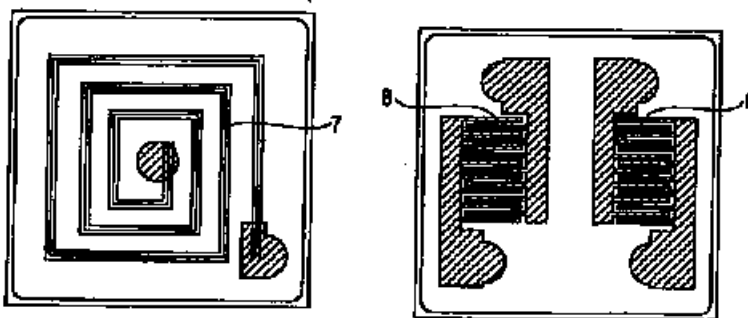
US2004/227586 capacitor 215 triggers the allocation of the present KW to this document



US2004130410 - Inductance 120, capacitance 140



EP1508936 - Integrating aspects for L and C



US2005046512 - Coil 7 and phase shifter 8

[H03H 9/058](#)

The documents classified in [H03H 9/058](#) relate to holder and supporting means details for SAW devices.

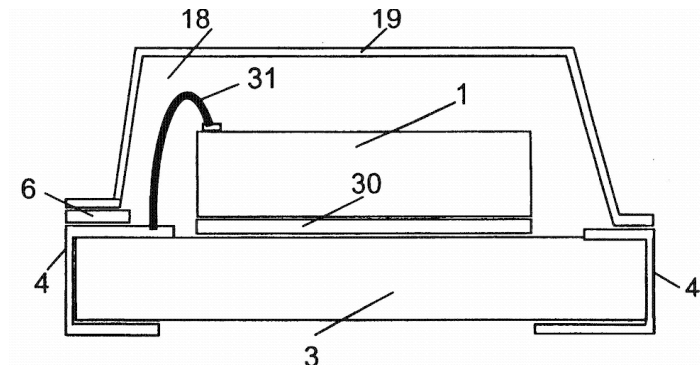
If the supporting means consist of temperature regulation means, then classify also in [H03H 9/08](#).

If the supporting means consist of elastic or damping means, then classify also in [H03H 9/09](#).

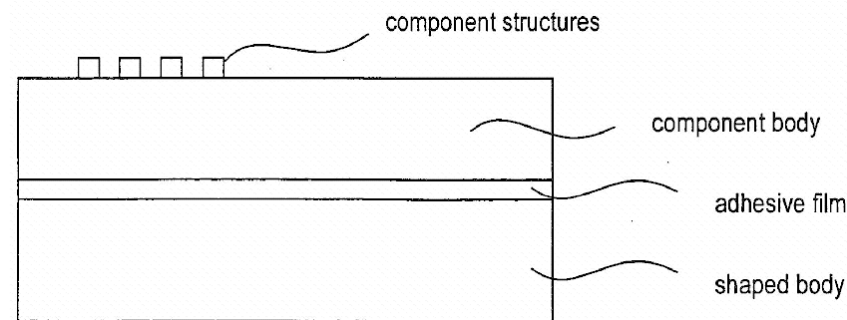
Note: Manufacture details about holder and supporting means details should not be classified in the manufacture classes. (i.e [H03H 3/00](#) and subgroups)

[H03H 9/0585](#)

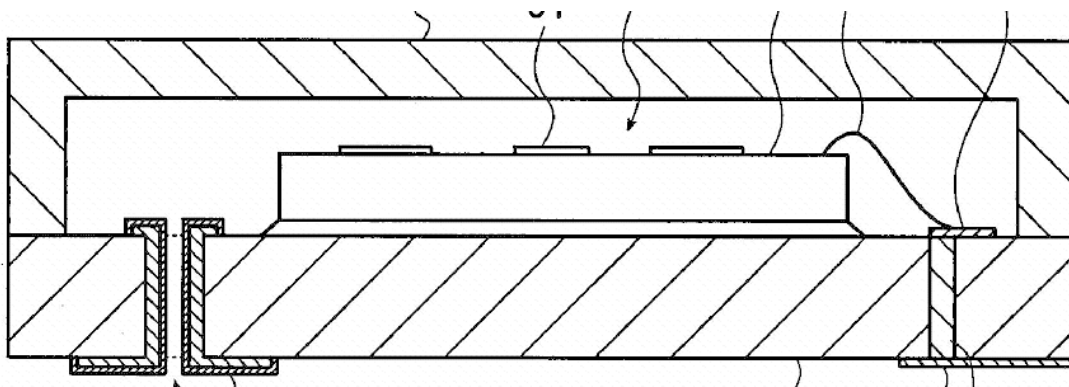
The holder and supporting means consisting of an adhesive layer.



WO 97/45955: adhesive 30



WO 2005/048449



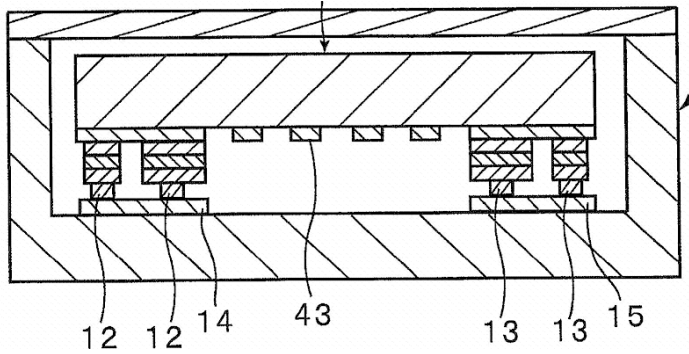
US 2008/036094

[H03H 9/059](#)

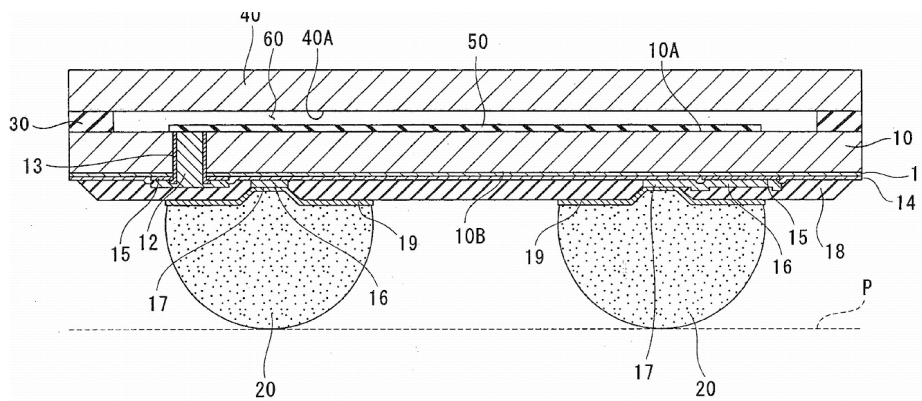
The holder and supporting means consisting of mounting pads or bumps.

There should be either details of the mounting pads or bump or on the positioning of them on the substrate.

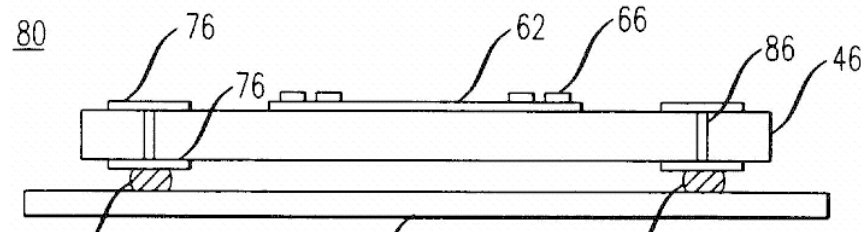
Almost all the SAW devices supported by bumps are flip-chip.



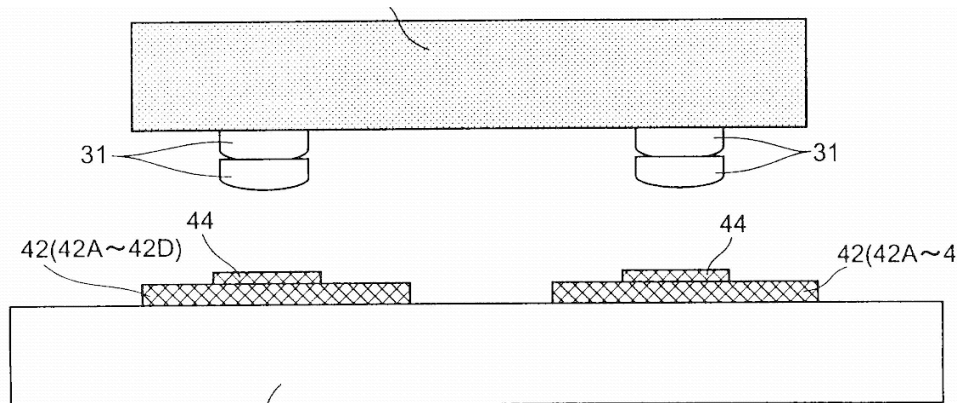
EP 1274167



EP 1635457

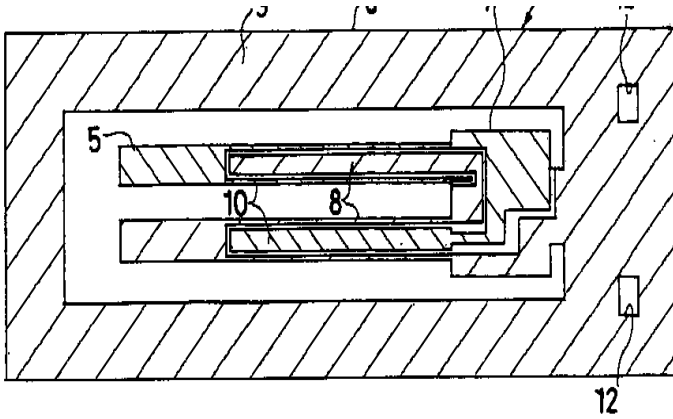


US 6222299

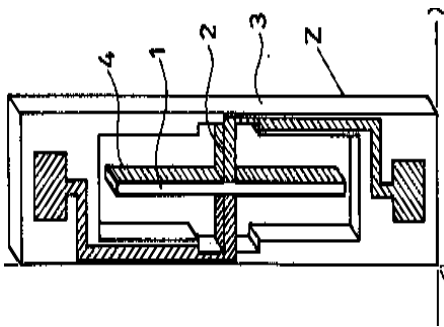


[H03H 9/0595](#)

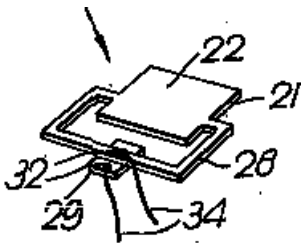
The documents classified in [H03H 9/0595](#) relate to supporting means details for piezoelectric devices wherein the support and the resonator are formed in one body.



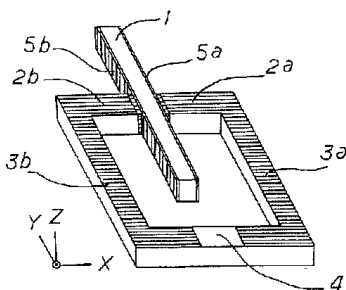
US 2006255691



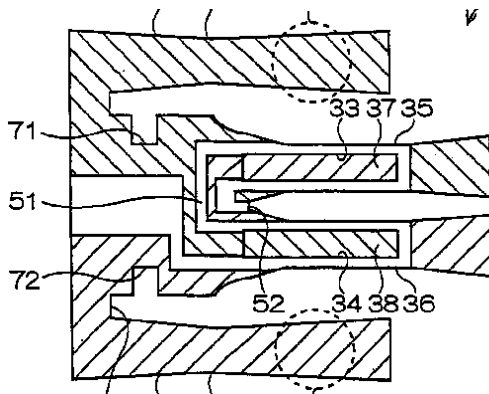
JP 60189308



GB 1592010



JP 60070808



EP 1845616

[H03H 9/1007](#)

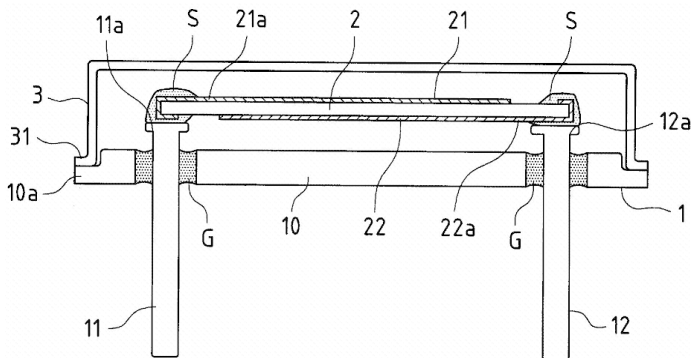
The documents classified in [H03H 9/1007](#) relate to mounting in enclosures for BAW devices.

Note: Manufacture details about mounting in enclosures should not be classified in the manufacture classes. (i.e [H03H 3/00](#) and subgroups)

[H03H 9/1014](#)

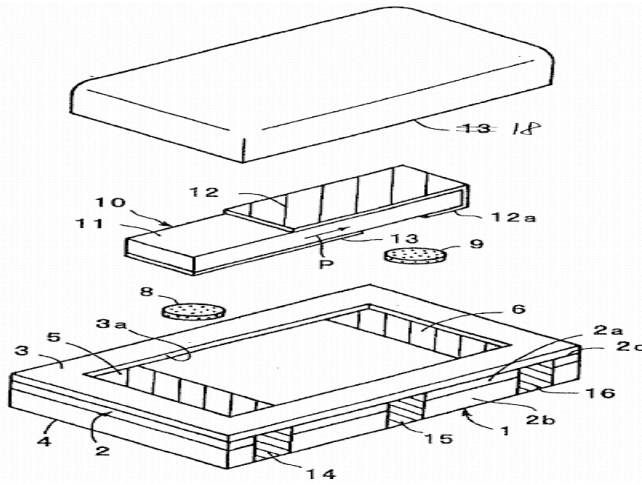
The enclosure being defined by a frame built on a substrate and a cap, the frame having no mechanical contact with the BAW device.

(For completeness read also the definition of [H03H 9/105](#))

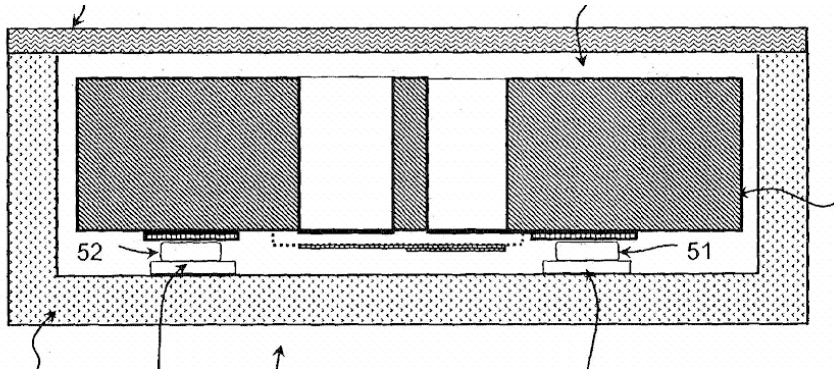


WO 2008/099570

(the frame and the cap are made in a single piece)



US 2001/002807

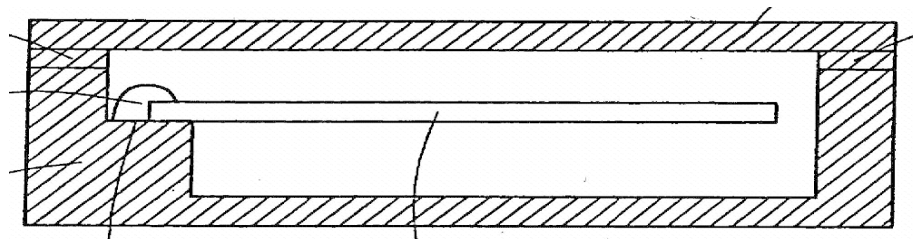


US 2003/186673

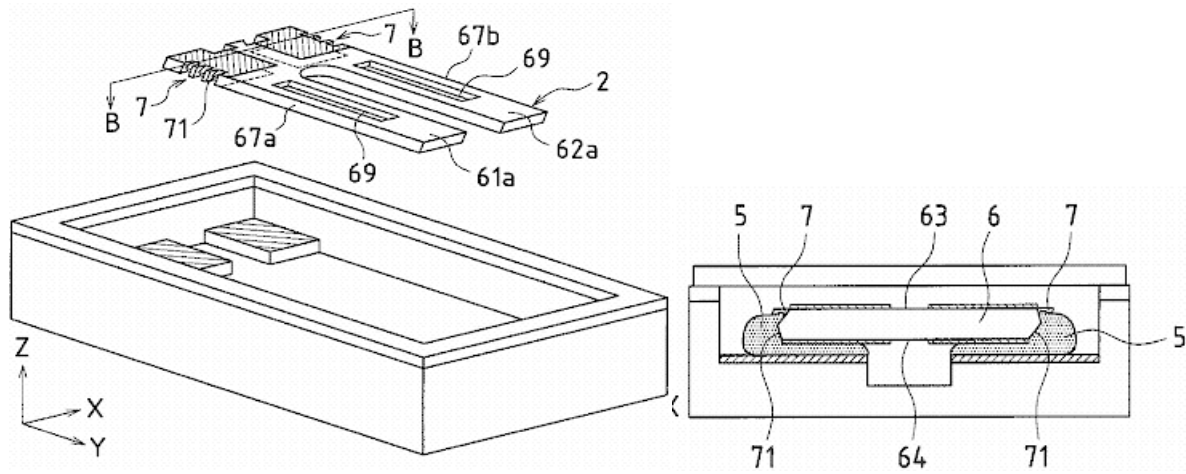
[H03H 9/1021](#)

The enclosure being defined by a frame built on a substrate and a cap, the frame having no mechanical contact with the BAW device and the BAW device is of the cantilever type.

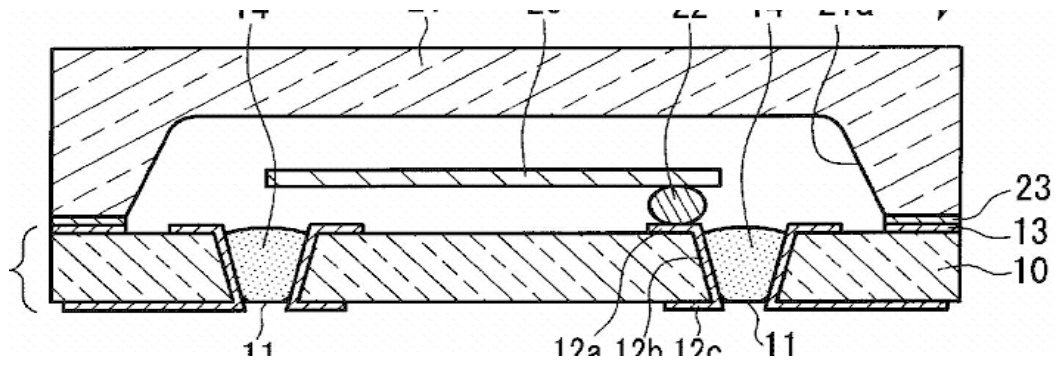
Note: This group takes precedence over [H03H 9/0519](#) (unless there is a lot of details about the supporting means of the cantilever).



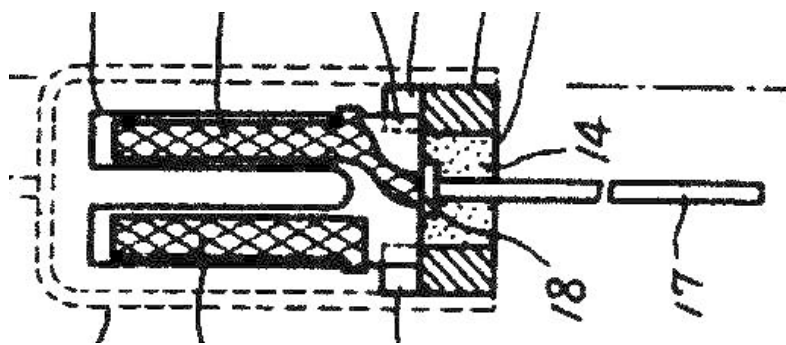
US 2003/197566



WO 2006/114936



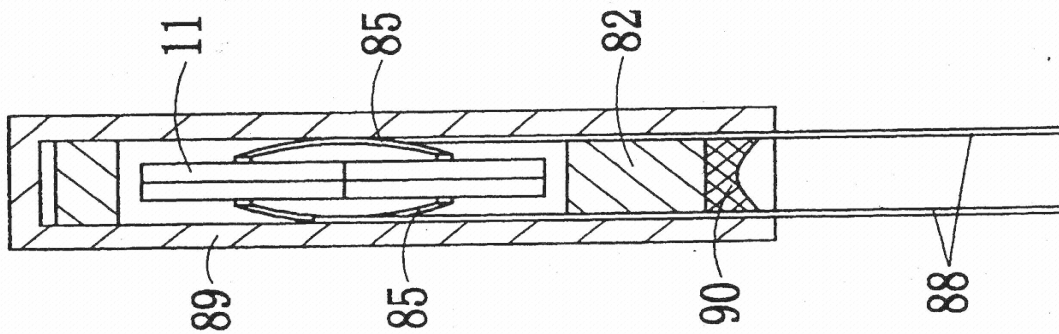
WO 2006/129354



JP 51134092

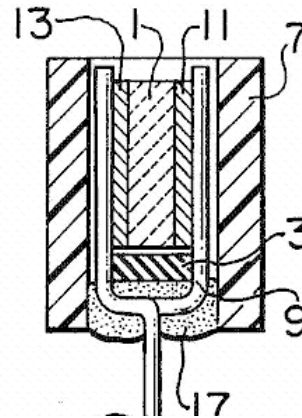
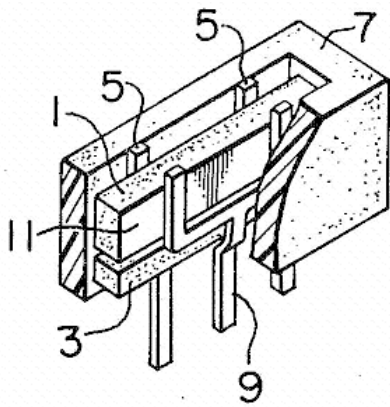
[H03H 9/1028](#)

The enclosure being defined by a frame built on a substrate and a cap, the frame having no mechanical contact with the BAW device and the piezoelectric resonator is held between spring terminals.

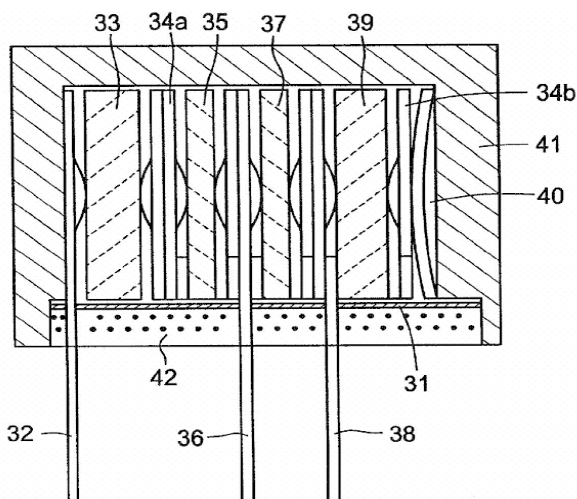


DE 10035416

Spring Terminals: 85,88



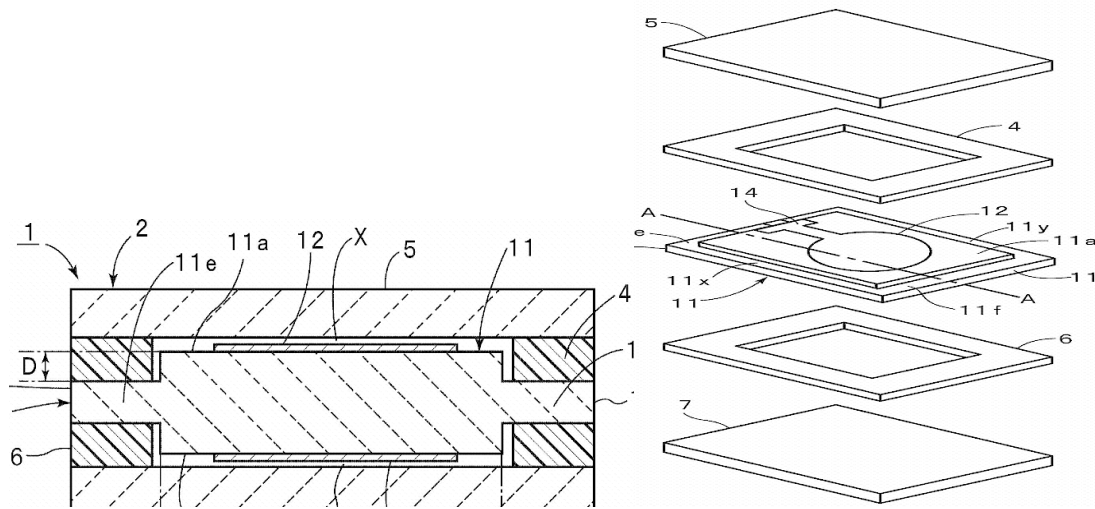
DE 3148389



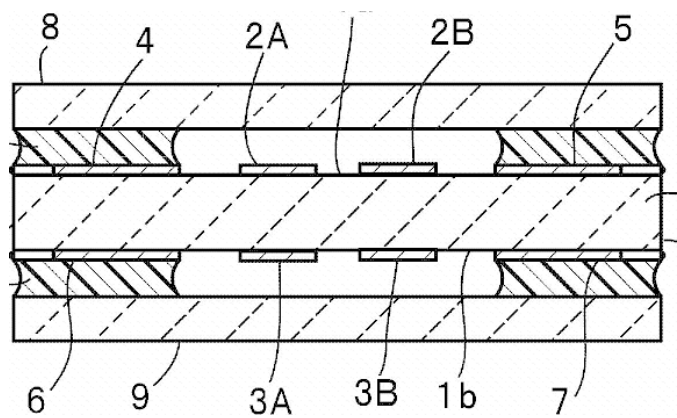
US 2002/003387

[H03H 9/1035](#)

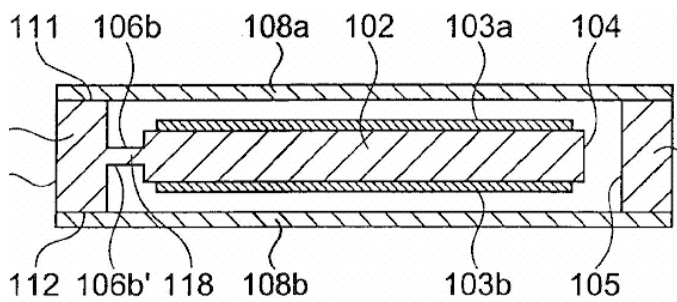
The enclosure being defined by two sealing substrates sandwiching the piezoelectric layer of the BAW element.



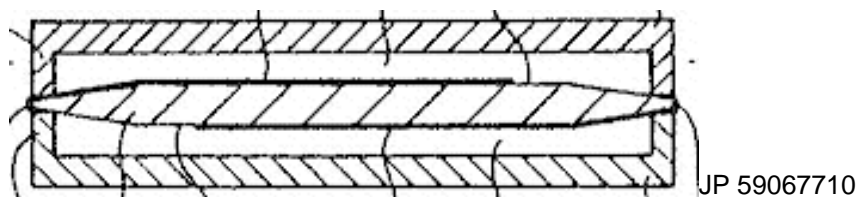
WO 2008152837: sealing substrates 5 and 7



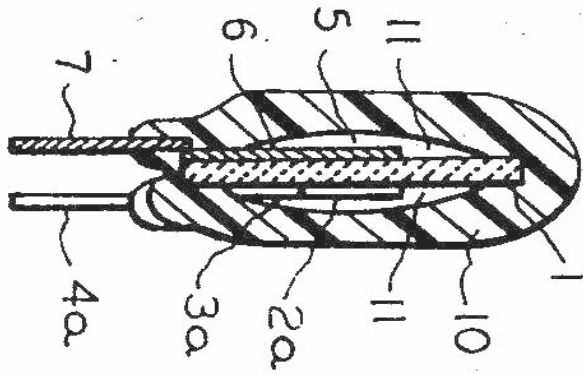
WO 2008/102481



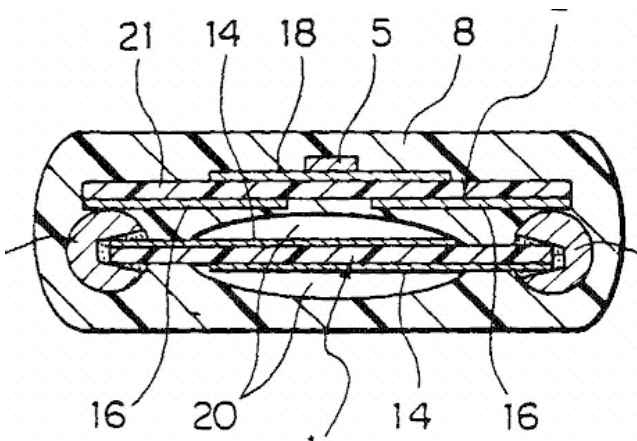
EP 1696561



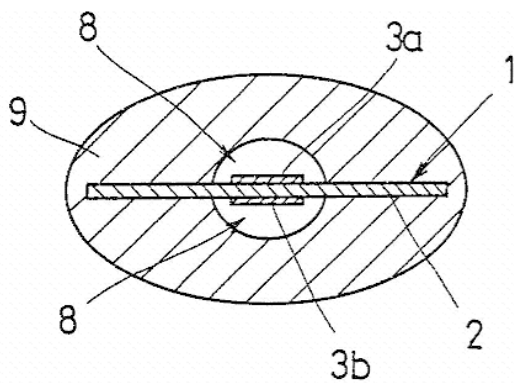
The enclosure being defined by a housing formed by cavity in a resin.



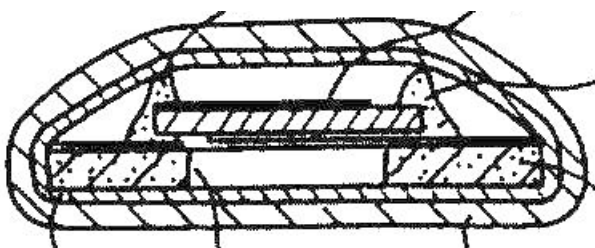
US 3650003



EP 0978938



DE 19524881

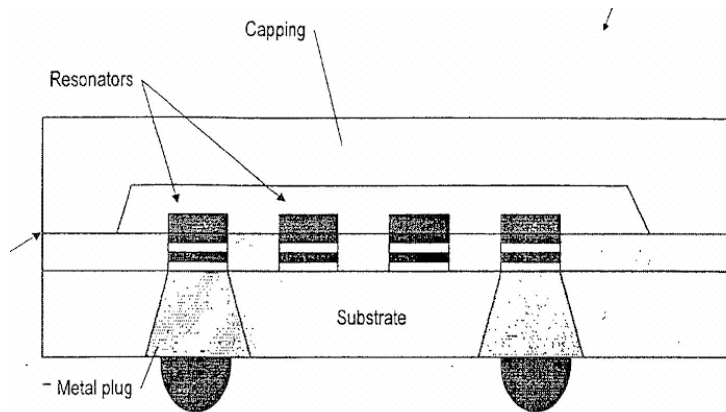


JP 60256212

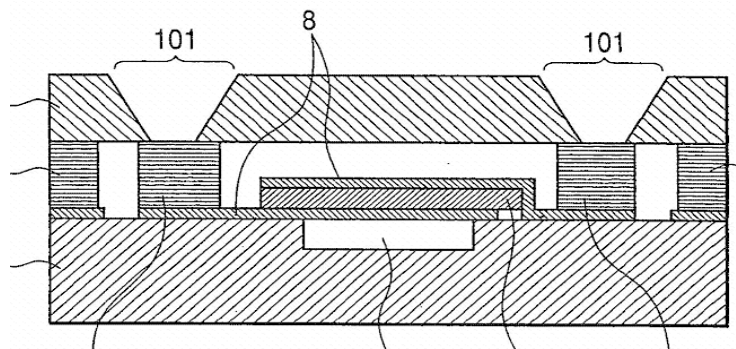
[H03H 9/105](#)

The enclosure being defined by a cover cap mounted on an element forming part of the BAW device.

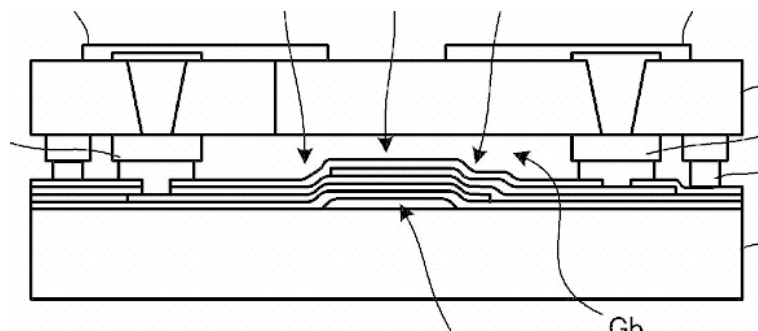
The difference with [H03H 9/1014](#) is that the cap is mounted directly on a layer (electrode, piezo) of the BAW device.



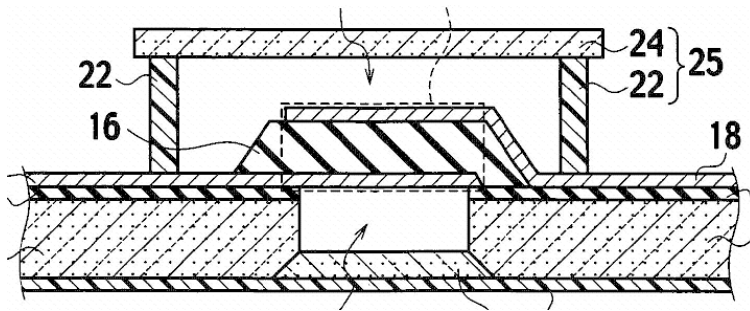
EP 1227581



DE 102007050865



WO 2008/093514



US 2007/057599

[H03H 9/1064](#)

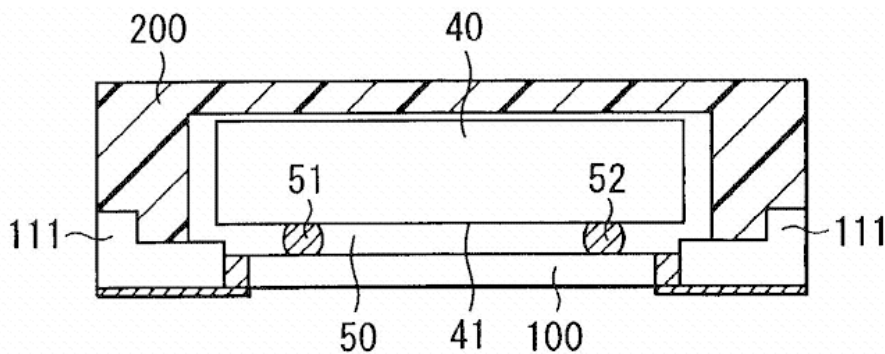
The documents classified in [H03H 9/1064](#) relate to mounting in enclosures for SAW devices.

Note: Manufacture details about mounting in enclosures should not be classified in the manufacture classes. (i.e [H03H 3/00](#) and subgroups)

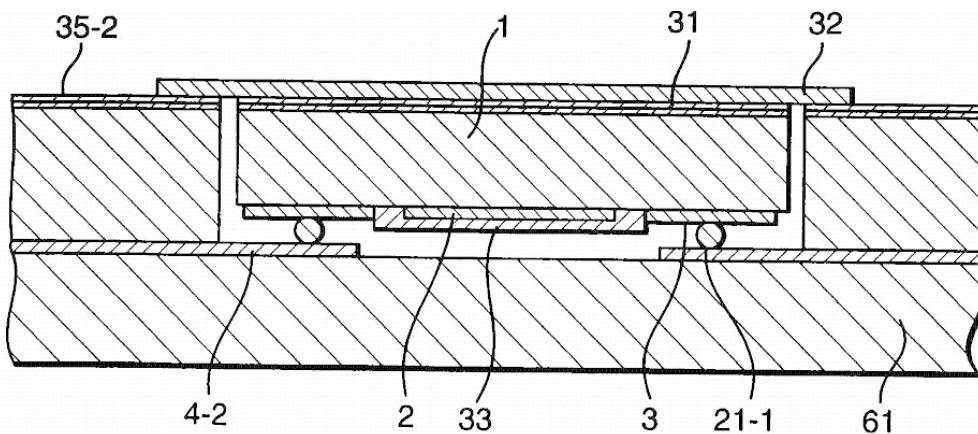
[H03H 9/1071](#)

The enclosure being defined by a frame built on a substrate and a cap, the frame having no mechanical contact with the SAW device.

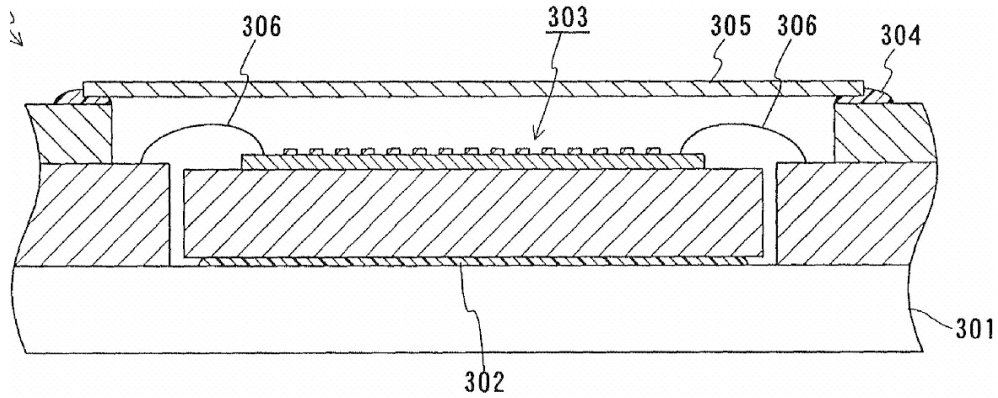
(For completeness read also the definition of [H03H 9/1092](#))



US 2003/020373: frame + cap 200



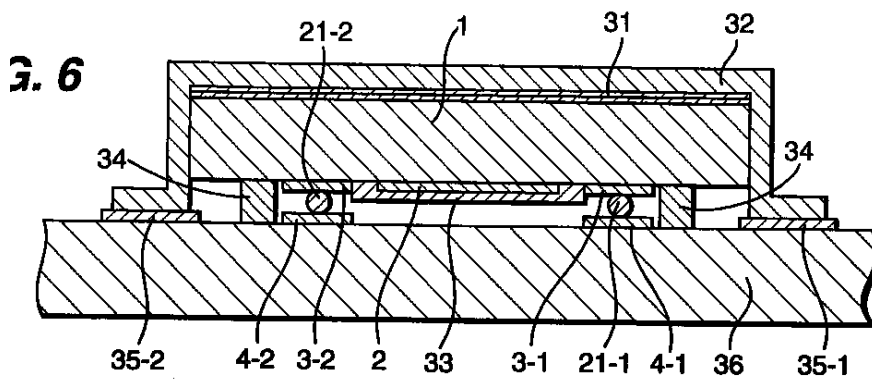
GB 2334618: Cap 32



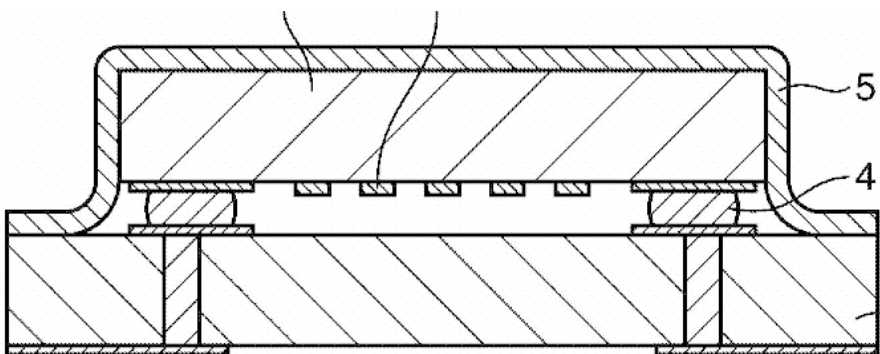
US 2002/149295

[H03H 9/1078](#)

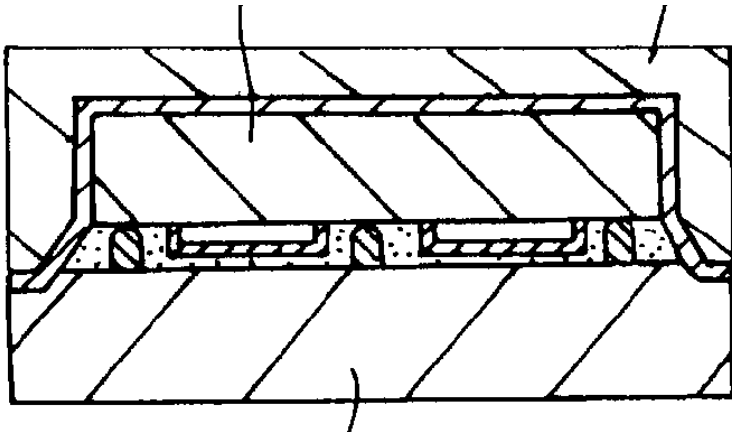
The enclosure being defined by a foil covering the non-active sides of the SAW device.



GB 2334618: Foil 32



WO 2006/106831: Foil 5

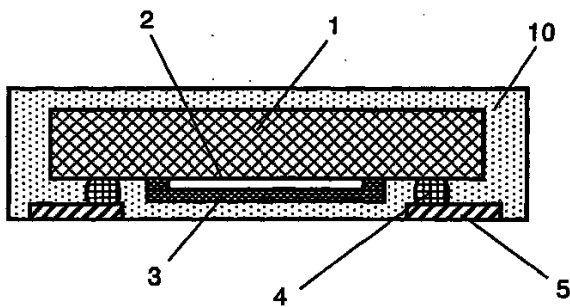


US 2003/009864

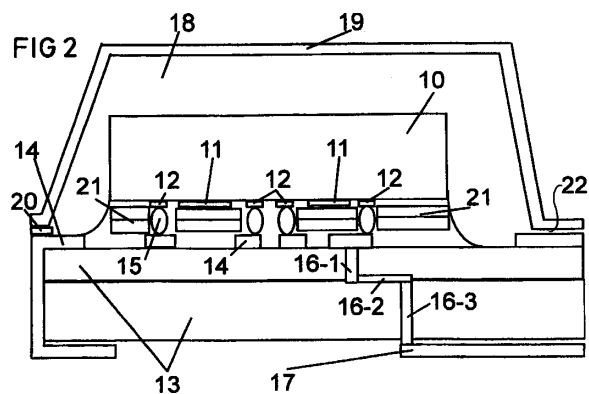
This doc is also classified in [H03H 9/1085](#) for the sealing mass over the foil

[H03H 9/1085](#)

The enclosure being defined by a non-uniform sealing mass covering the non-active sides of the SAW device.

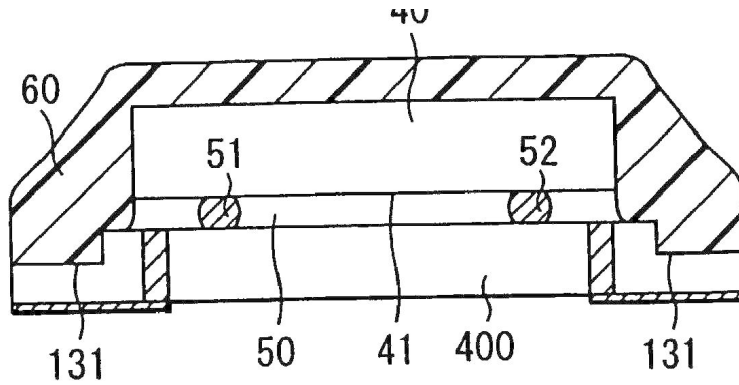


EP 1361657 : mass 10



WO 97/45955: mass 18

This doc is also classified in [H03H 9/1078](#) for the foil (19)

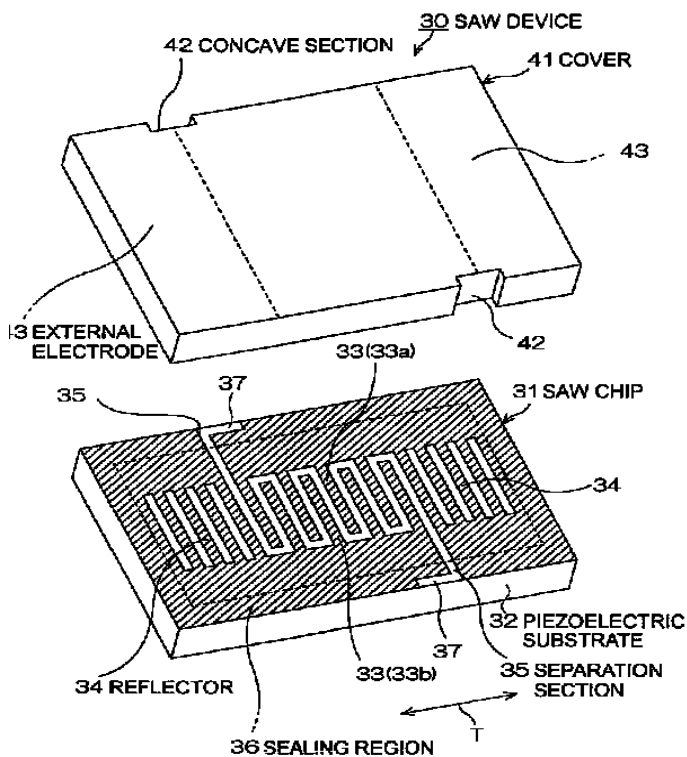


US 2003/020373: mass 60

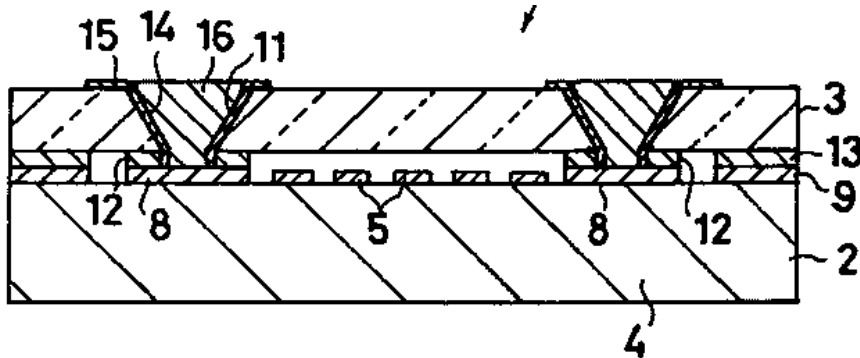
[H03H 9/1092](#)

The enclosure being defined by a cover cap mounted on an element forming part of the SAW device on the side of the IDT's.

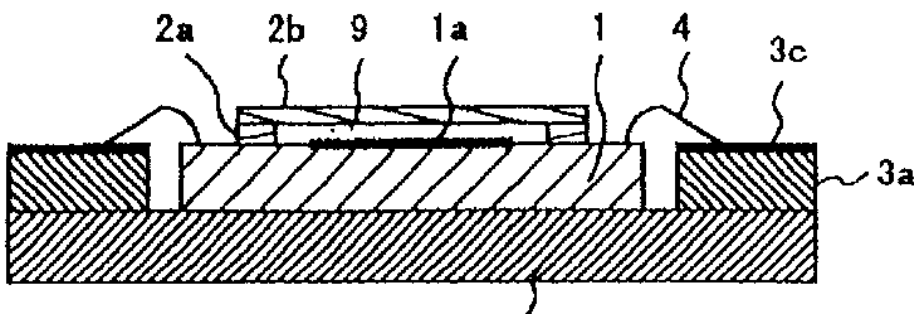
The difference with [H03H 9/1071](#) is that the cap is mounted directly on the piezoelectric substrate on the side of the IDT's and not on a supporting substrate.



EP 1684423



EP 1672790



US 2001/011857

[H03H 9/14544](#)

The classes [H03H 9/14544](#)+ accommodate documents disclosing "unusual/non-standard" shapes detected in the fingers or transducers for both SAW resonators and SAW filters.

Note:

Seen the relatively high degree of indentation it is wished to keep the root rather empty. It goes without saying that any document disclosing complex enough shapes which do not fall under the description of the subclasses of [H03H 9/14544](#) are classified in the present root. It is not excluded that in the near future (testing period when only KW precursors are generated instead of real EC classes) new subclasses to appear.

Redundancies:

1) [H03H 9/6426](#) appears to overlap the classes [H03H 9/14544](#)+. From now on, no new documents should be classified in [H03H 9/6426](#). This class will be deleted in the future and the documents still in there will be reclassified accordingly (it is expected to move most of them in [H03H 9/14544](#)+)

Some examples:

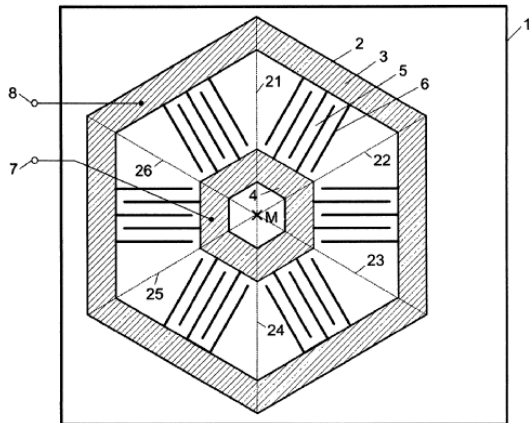


Fig. 3

DE102006042616

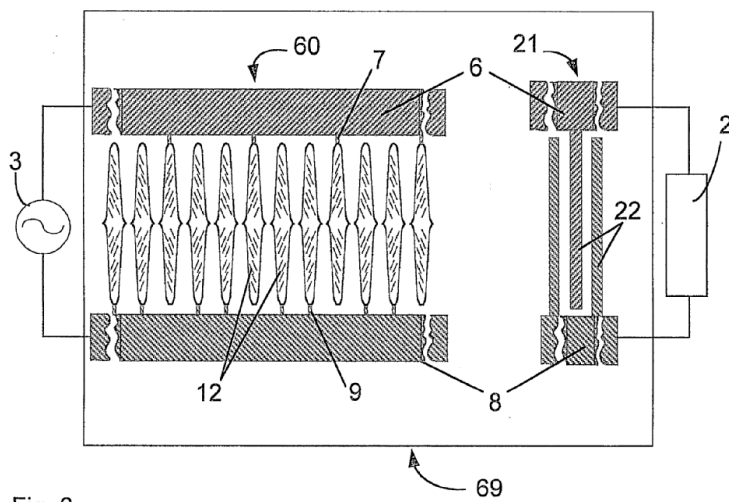


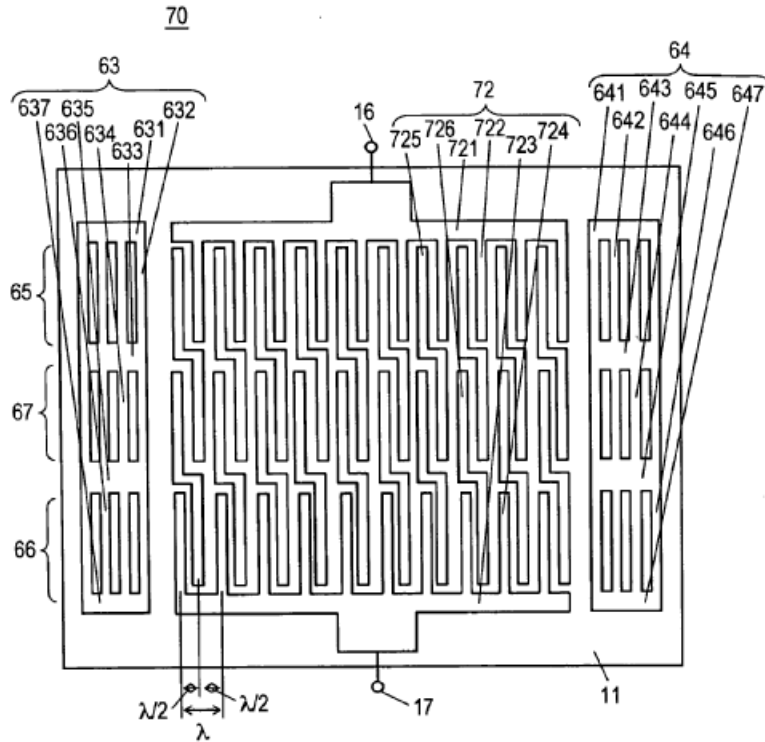
Fig. 6.

WO03038997

Notes:

1) Dog-legged fingers are to be classified under [H03H 9/02637](#) as it is regarded as a particular case of dummy electrode structure:

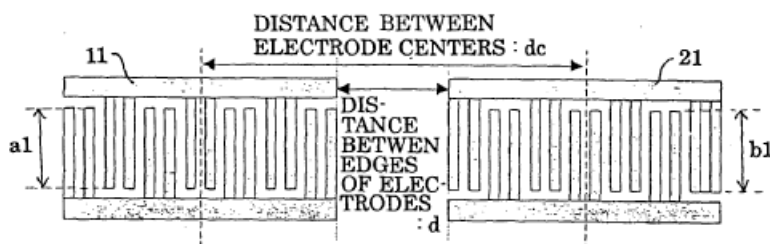
FIG. 11



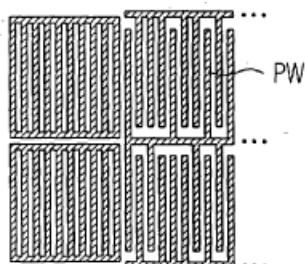
EP1463200

[H03H 9/14552](#)

Each finger is in split in at least two fingers



EP1115200



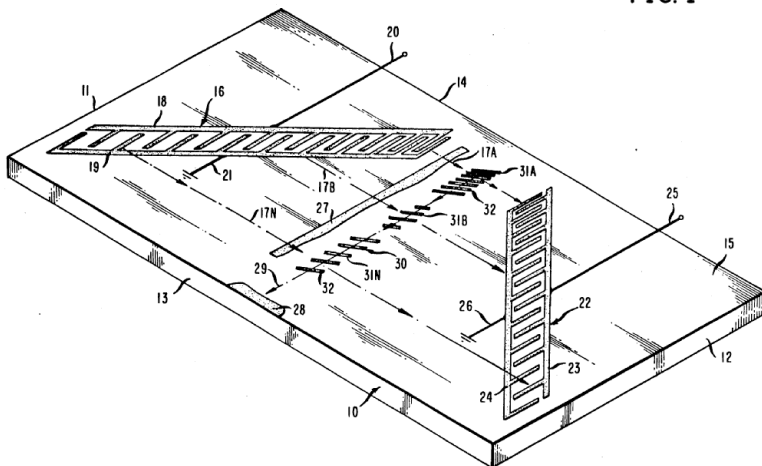
DE10057848

[H03H 9/14555](#)

Chirped transducers present the feature of having uniformly variable distance between the fingers starting from one end till the other end of the IDT (up-chirp; down-chirp). Often the disposition of the IDTs is a plane-rotated or a diagonal one, which makes them also classifiable in [H03H 9/14594](#).

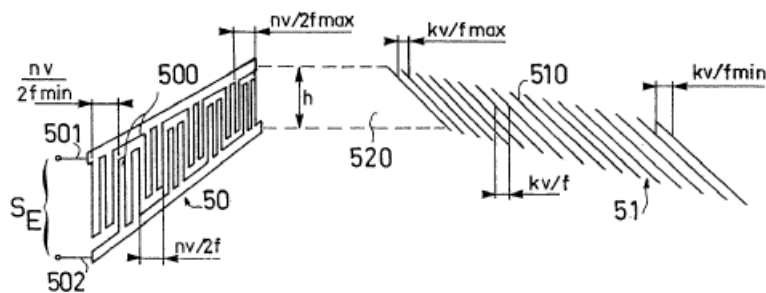
Chirp is necessary for compression/decompression of the waves ([H03H 9/44](#)) which makes them suitable for radar applications ([G01S](#)) or computing correlators, convolvers ([G06G 7/195](#)), for example:

FIG. 1



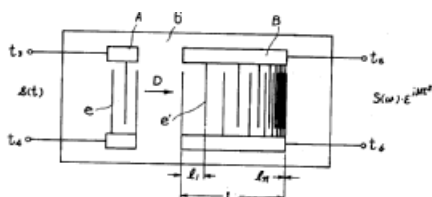
US5113115 (correlator)

FIG. 5



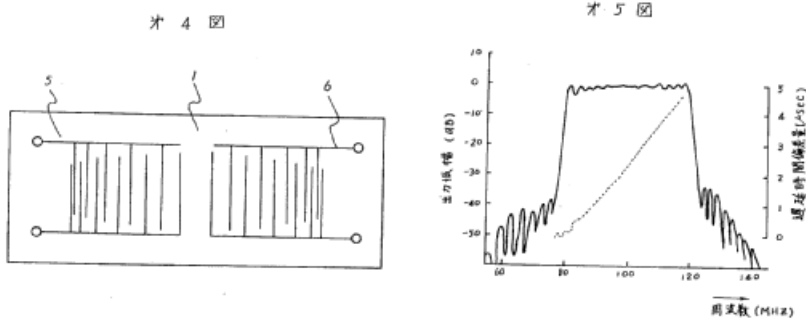
GB2114393 (compressor)

Broad band applications (some of the documents are still in [H03H 9/14514](#)) use also chirped structures:



JP53144646

Chirped is also used for reducing the negative effects (e.g. side lobe or ripple) of the imperfect radiation of the transducers (dispersion):

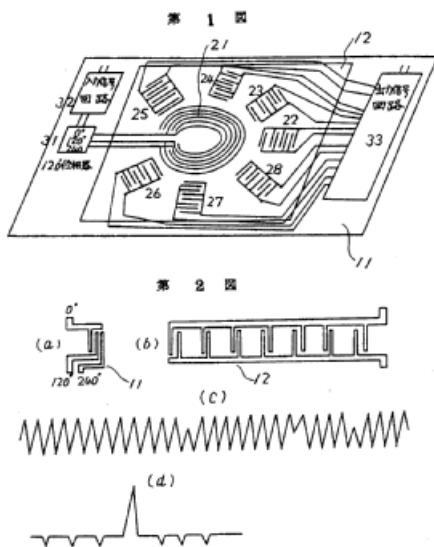


JP61032610

It should, however, not be confounded with matched SAW devices usually used in spread spectrum coding/decoding and for which the KW

09 64m matched filters ([H03H](#))

was created:

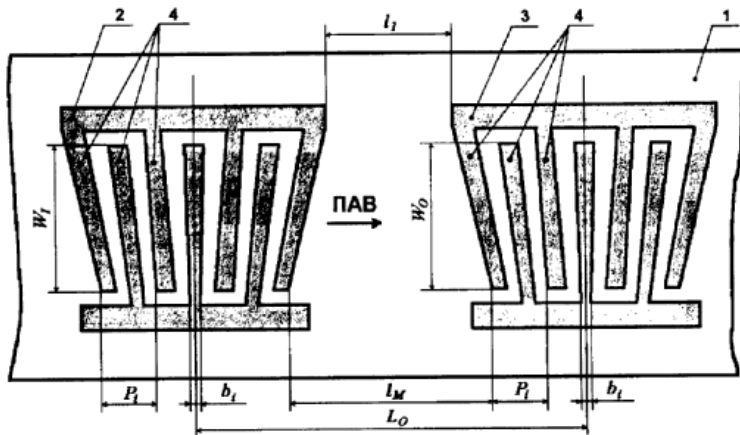


JP61136314

[H03H 9/14558](#)

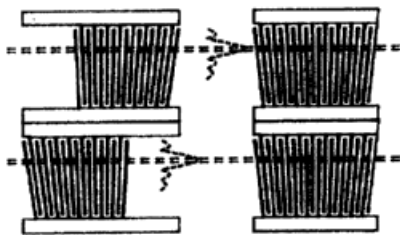
A wide band SAW filter using slanted transducer fingers has an advantage that the insertion loss is small, with respect to a SAW filter using the apodizing method or dispersion type electrodes. However, although the central pass band characteristics are adequately flat, it is generally inclined with frequency.

Some examples:



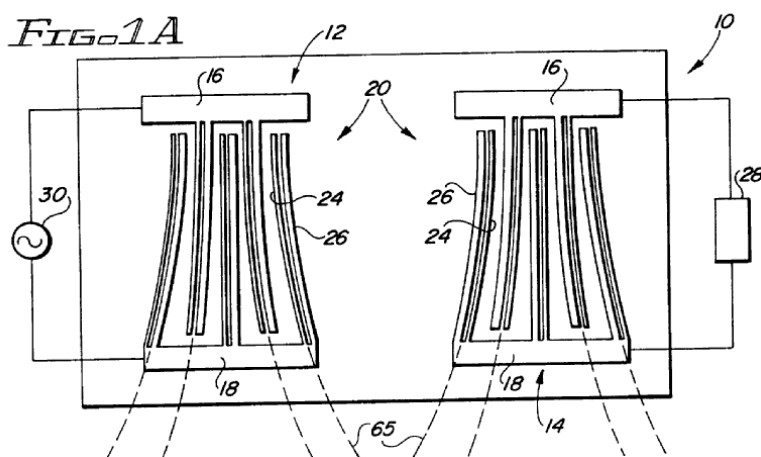
Фиг. 1а

RU2171010



XP010612643

When the fan shape is a curved one, the next classification entry [H03H 9/14561](#) and [H03H 9/14564](#) takes precedence. For example, the following arrangement alone does not entitle the document to be classified under the present classification entry but on "Arched, Curved or Ring Shaped Transducers":

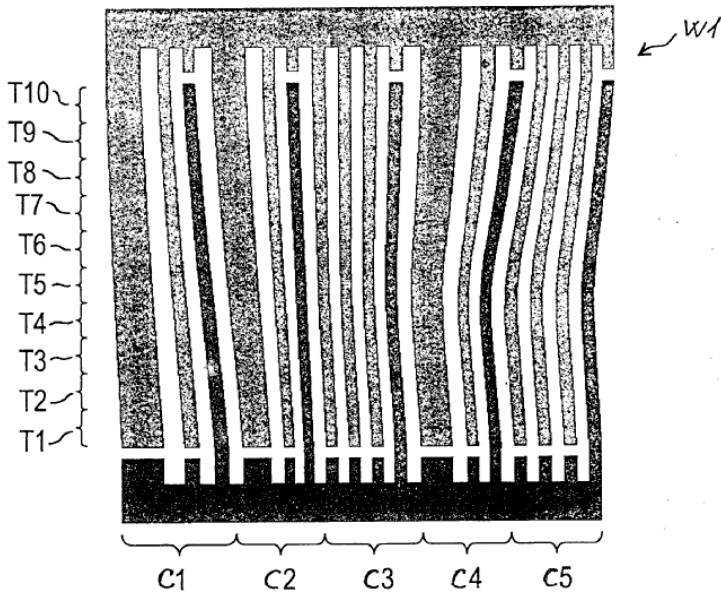


WO9710646 (incidentally, for this doc. another arrangement made it eligible, however for [H03H 9/14558](#))

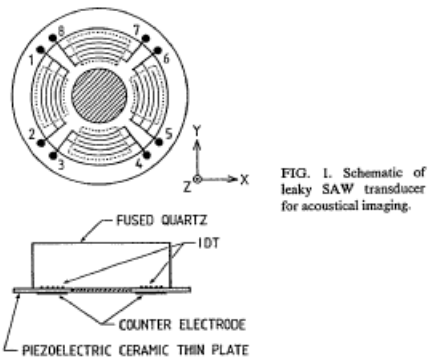
[H03H 9/14561](#)

For a document to be classified in this entry it is enough to disclose a curved shape of at least one of the fingers.

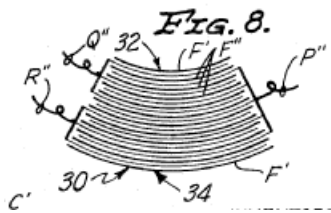
Some examples:



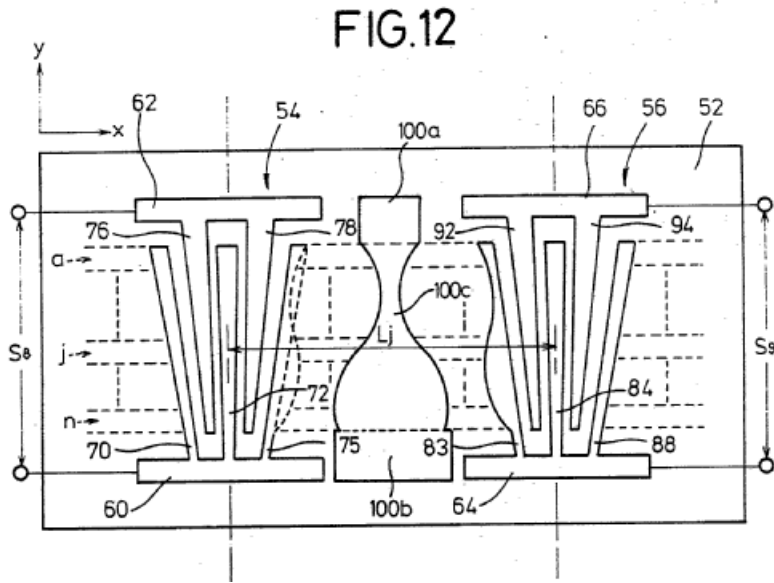
DE102005009359



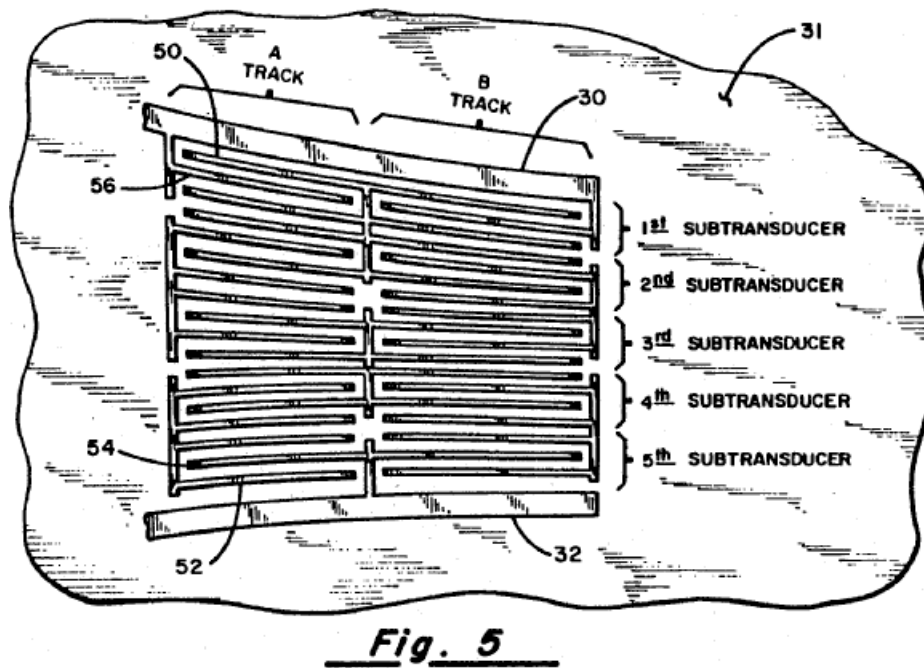
XP000208195



USRE27116E



FR2623348 (see finger 83)



US4908542

Exceptions are documents showing IDTs disposed on 3D surfaces, like (these documents are classified in the root - [H03H 9/14544](#)):

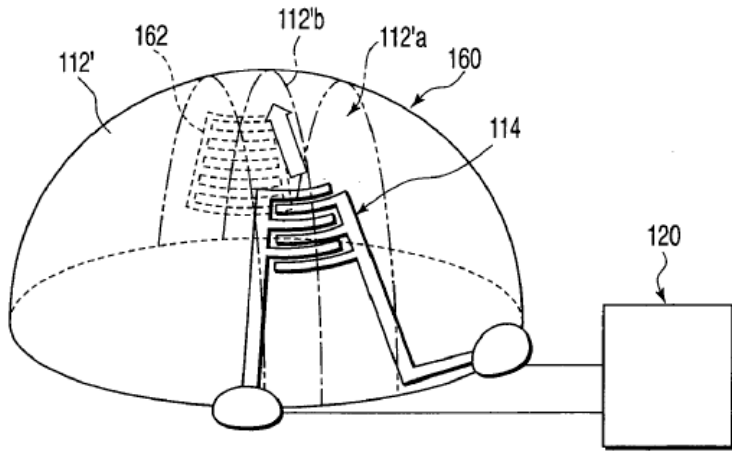


FIG. 27

US2007241639

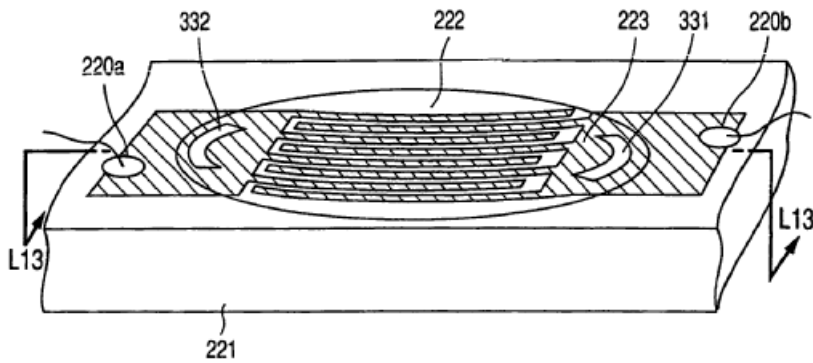


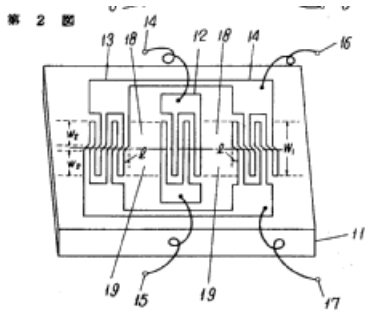
FIG. 12

EP1453199

[H03H 9/14564](#)

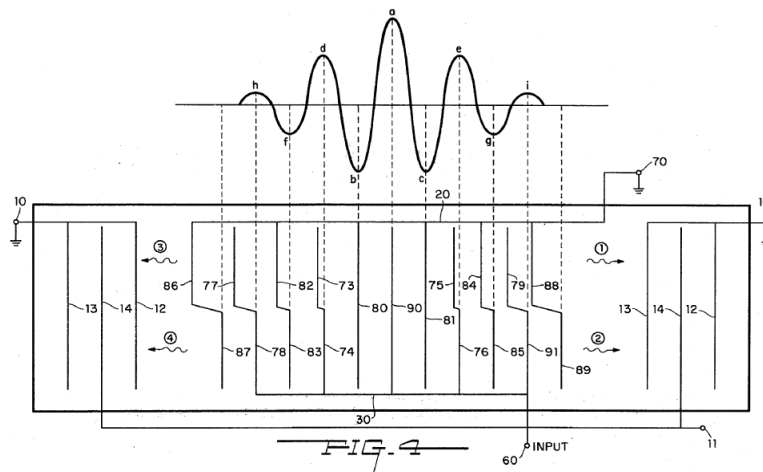
The class should contain only documents disclosing IDTs with bent asymmetrical fingers (i.e if one draws an axis in the middle of the IDT, parallel with the stretching direction of the fingers, the IDT would not be symmetric w.r.t. to that axis. For the symmetrical bent fingers [H03H 9/14567](#) takes precedence

One of the achieved goals is reduction of TTE (triple transit echo) which makes the class close related to [H03H 9/02842\(1\)](#):



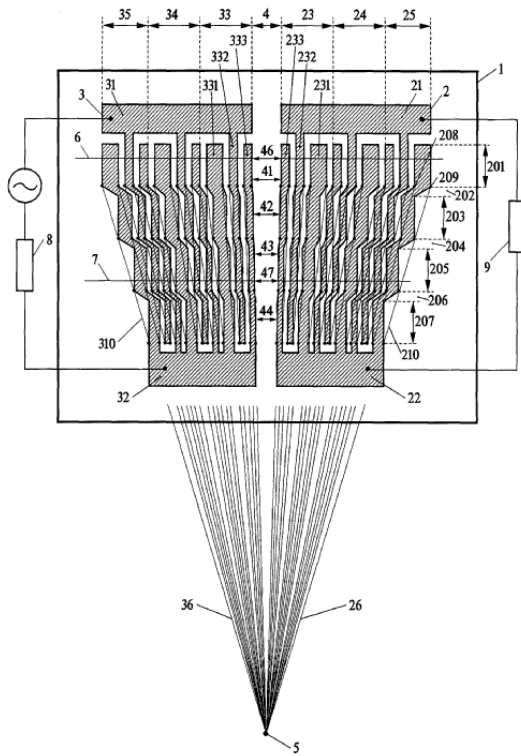
JP55112022

Phase coding in telecom or ID-tags is another application:

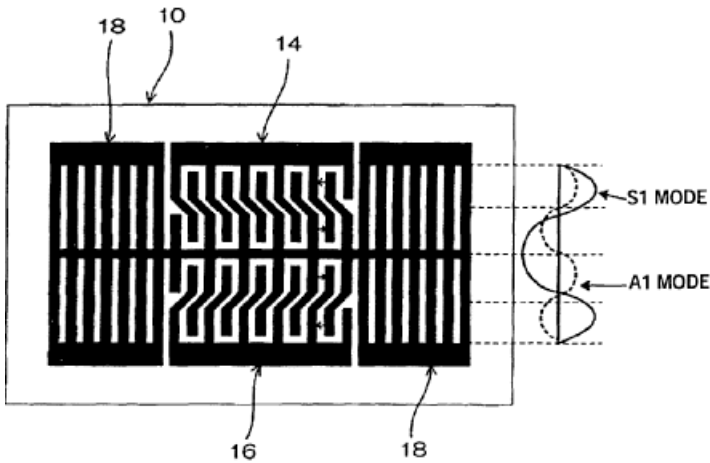


US3931597

Some other examples:



DE19943072

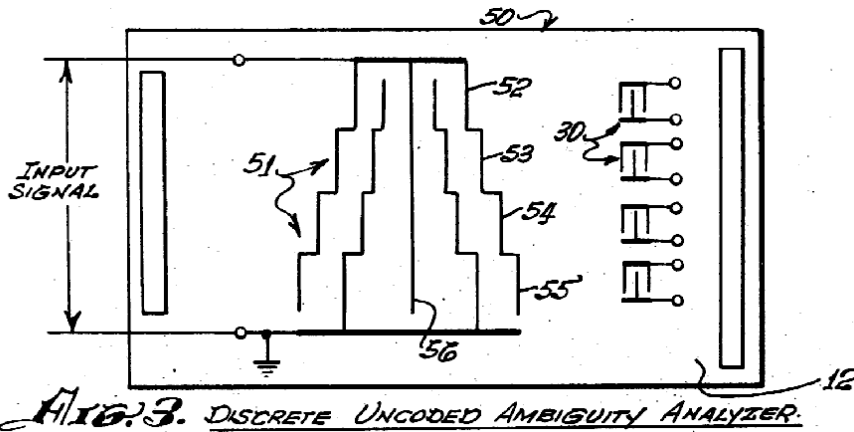


EP1619794

[H03H 9/14567](#)

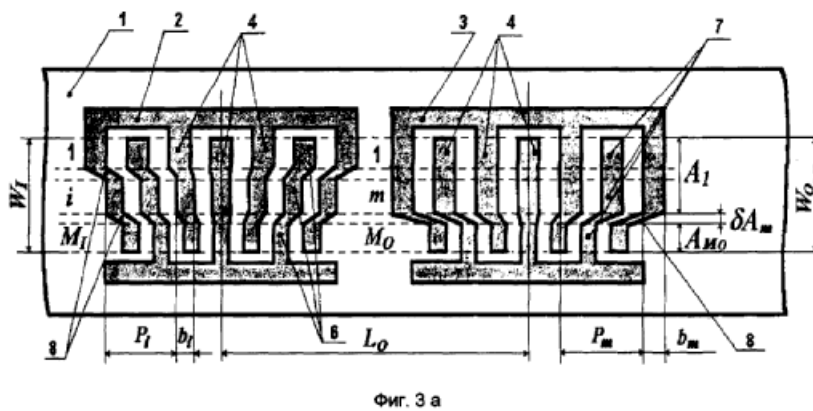
If in the fan like shape the fingers are stepped the document is to be classified here. The resultant effect is a superposition of the individual effects/radiation/excitation/frequency characteristics of the serially connected elementary IDTs (in US3727718: Fig. 3 below - 52, 53, 54, 55). Possible utilization in broad band devices is foreseen. For some applications, however, the superposition is not as

important as squeezing of IDTs on the same piezoelectric surface, at the end the radiated mechanical wave being captured by individual IDTs specialized on specific bands (e.g. US3727718 below).

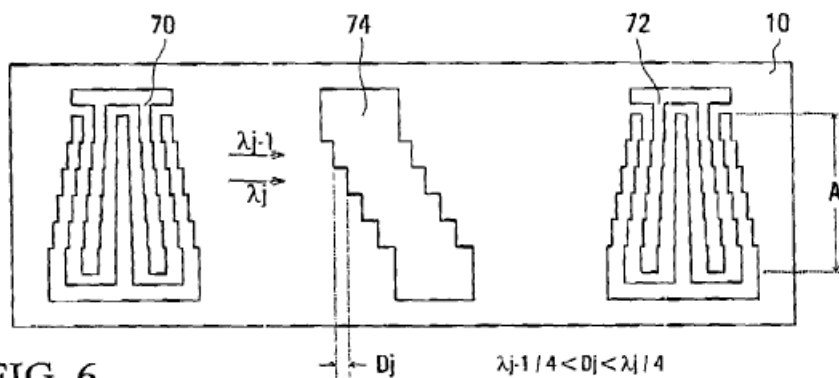


US3727718

Some other examples:



RU2171010



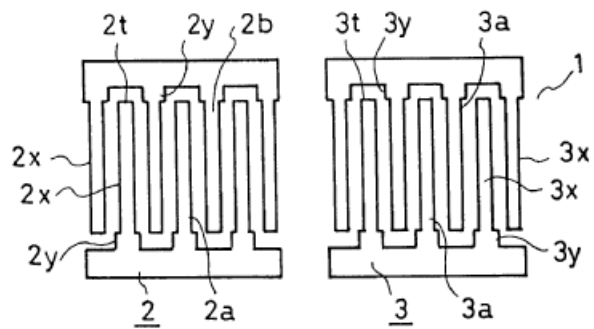
US2004108917

[H03H 9/1457](#)

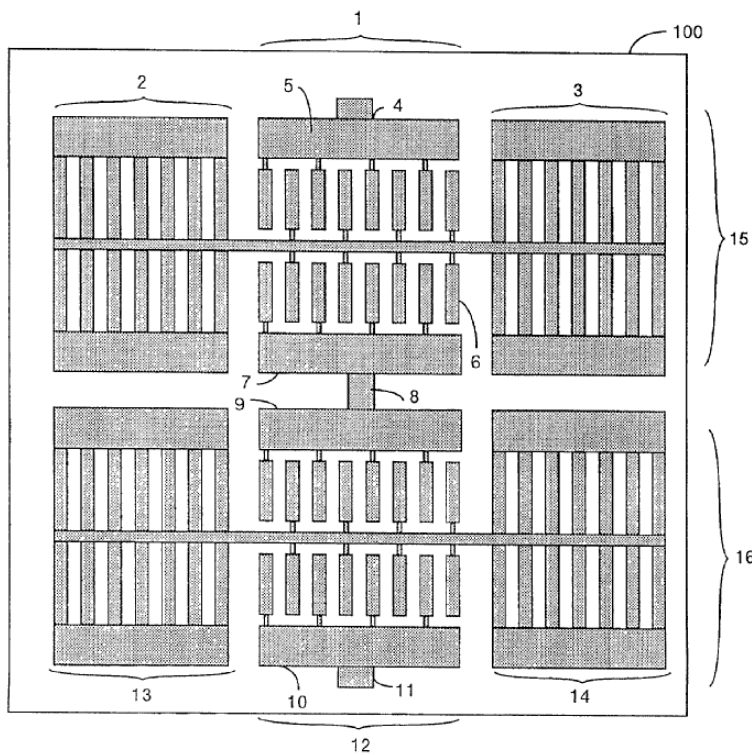
As the title suggests, along the finger length, the width of the finger varies (mostly stepwise).

Some examples:

FIG. 17



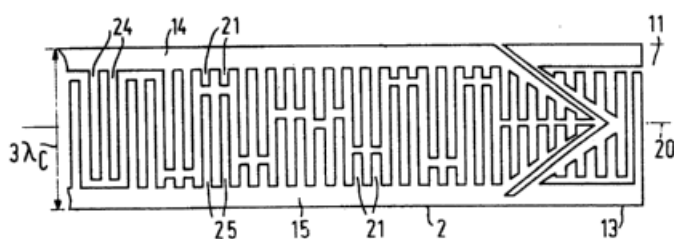
EP0585863



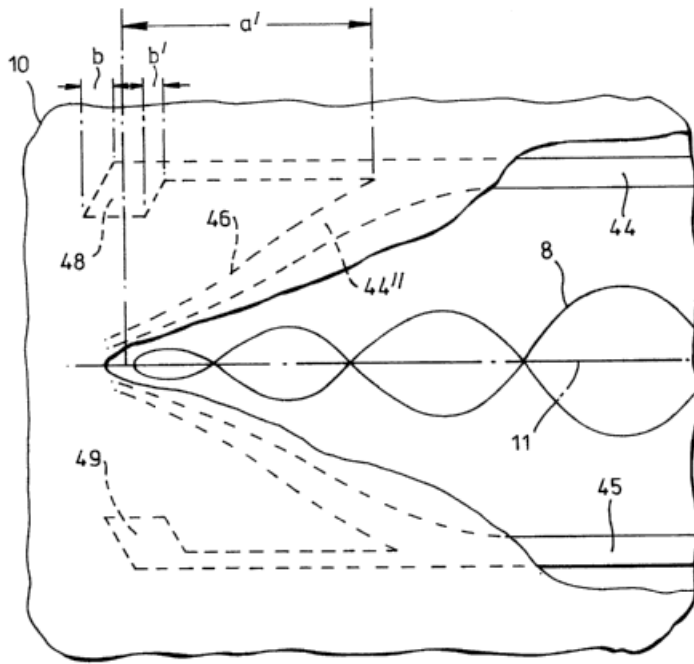
EP1274169

[H03H 9/14573](#)

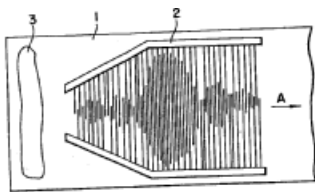
the shape of the IDT gets pointed at the extreme end of the acoustic propagation track, and often one of the bus bars of the IDT is continued outside the IDT in the propagation direction and there formed in a shielding reflector with an tree like structure.



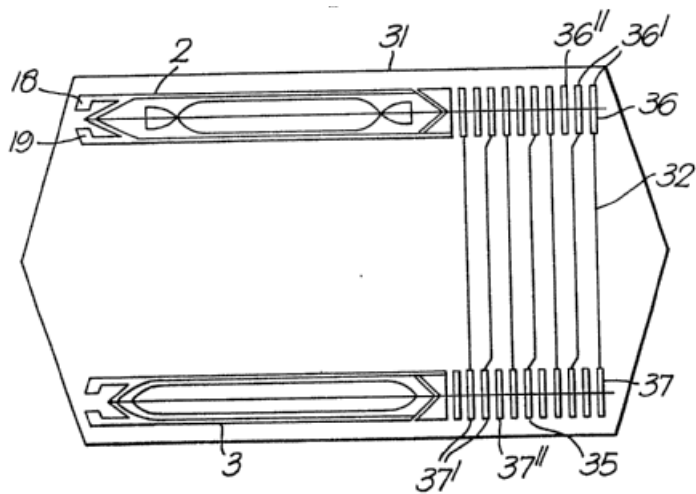
US4513262



EP0092290



JP59125113



EP0103932

[H03H 9/14576](#)

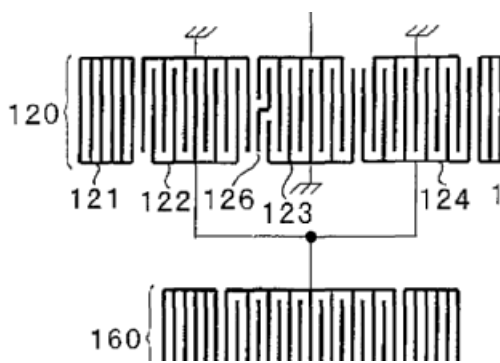
The present sub-class accommodates documents disclosing relevant aspects concerning the last finger-electrodes of IDTs, and namely IDTs having only the last finger-electrodes different from the remaining fingers in the IDTs.

The document, anyhow, would receive a class in [H03H 9/64+](#) or [H03H 9/0028+](#) if the filter structure is of importance (i.e. not trivial).

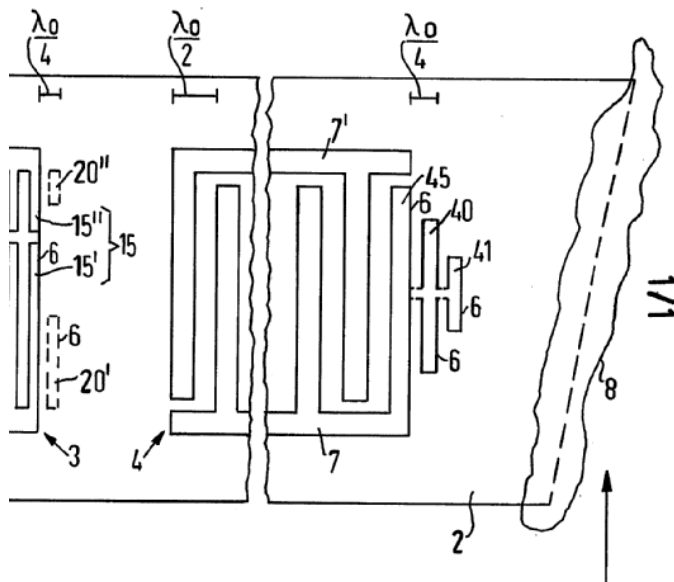
[H03H 9/14579](#)

The present sub-class accommodates documents disclosing relevant aspects concerning the last finger-electrodes of IDTs, and namely IDTs having only the last finger-electrodes of a special different from the rest of the IDT fingers.

The document, anyhow, would receive a class in [H03H 9/64+](#) or [H03H 9/0028+](#) if the filter structure is of importance (i.e. not trivial).

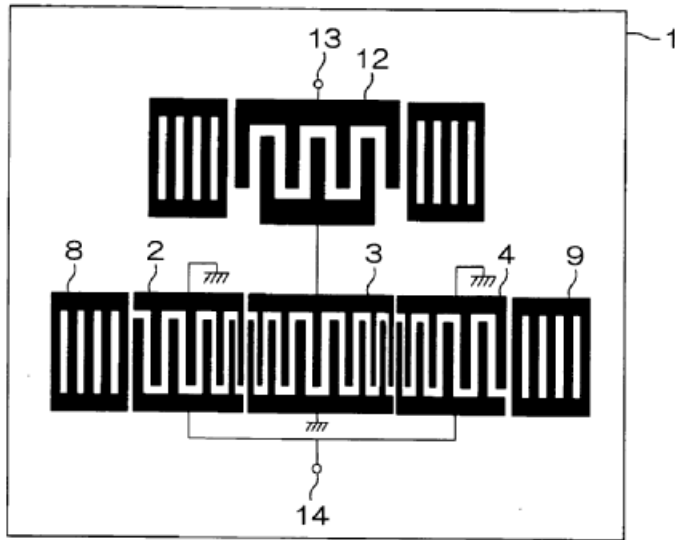


EP2066026



EP0088400

[H03H 9/14582](#)

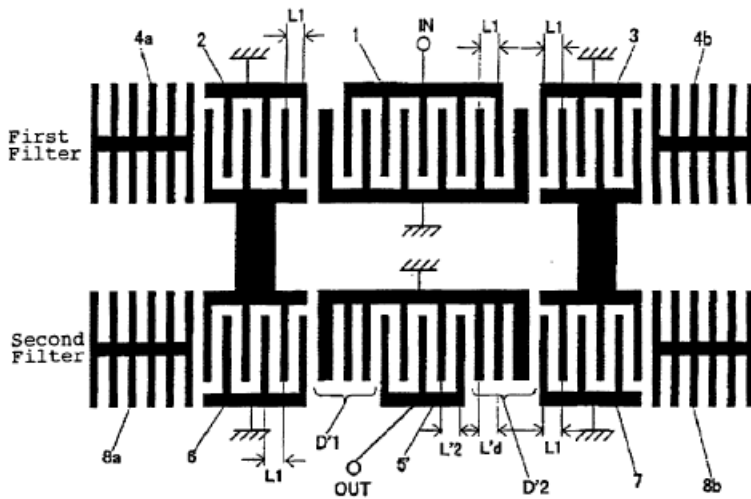


US2007024397

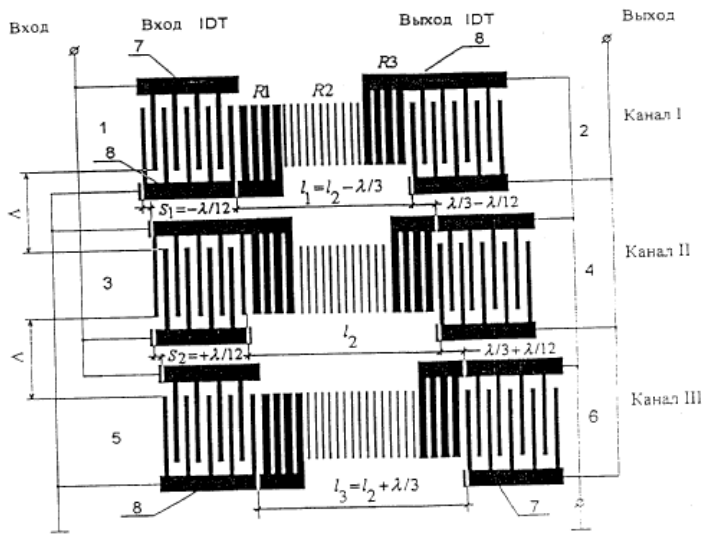
[H03H 9/14585](#)

The present sub-class accommodates documents disclosing relevant aspects concerning the last finger-electrodes of IDTs, and namely IDTs having only the last finger-electrodes split.

The document, anyhow, would receive a class in [H03H 9/64+](#) or [H03H 9/0028+](#) if the filter structure is of importance (i.e. not trivial).



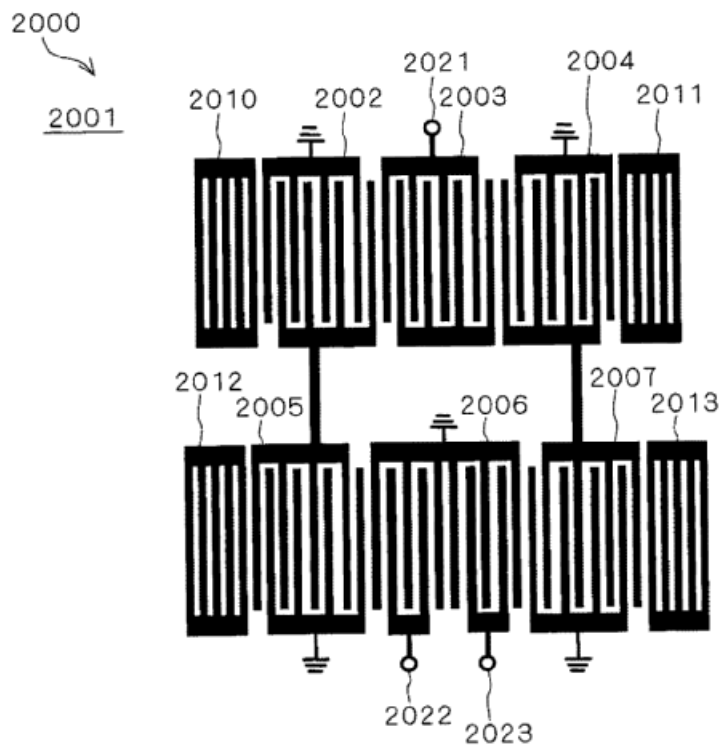
EP1175006



WO0039925

[H03H 9/14588](#)

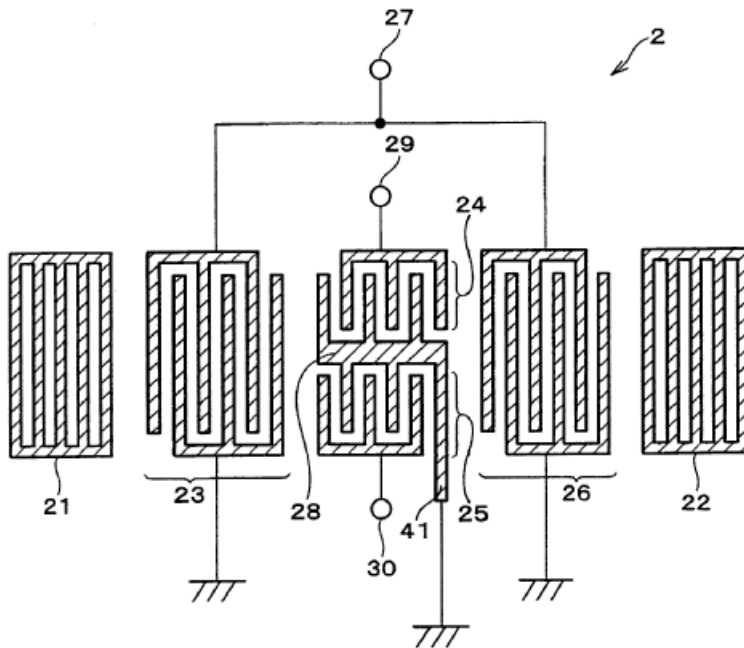
One of the IDTs in the filter is split into two longitudinally coupled electrically connected IDTs in order to cope with necessary impedance match (mostly used in balun devices).



WO2007049754

[H03H 9/14591](#)

One of the IDTs in the filter is split into two stack like arranged IDTs in order to cope with necessary impedance match (mostly used in balun devices).



GB2387495

[H03H 9/14594](#)

Basically this geometrical shape was adopted in order to increase the efficiency of the SAW filters by reducing the insertion loss. As a bonus, the ripple is also reduced. Some applicants bring as an (additionally) solved problem the compensation of the variation with the temperature of the frequency characteristics (e.g. US4379274).

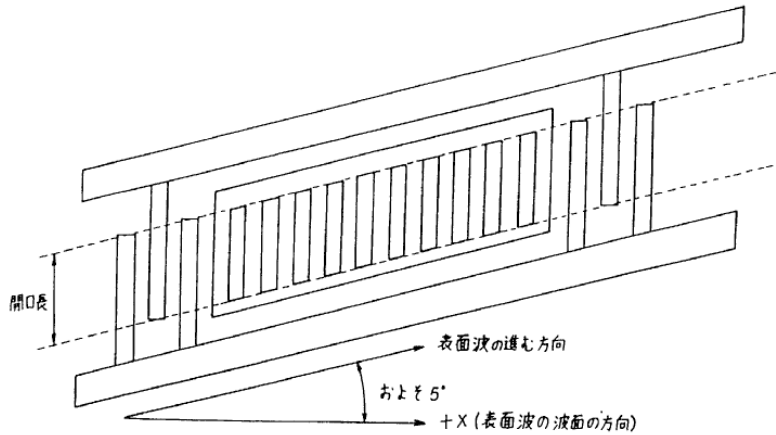
Phenomena: Piezoelectric substrates have anisotropic characteristics, and the excitation efficiency is negatively affected by the propagation direction of the surface acoustic wave. As shown in US2007046394, the excitation efficiency is reduced by the deviation (dispersion) of the propagation direction of the surface acoustic wave from the direction perpendicular to the fingers.

As a consequence the output IDTs do not to "catch" all the SAWs emitted by the input ones and the insertion loss increases.

As a solution a plane rotated IDT (somehow one side slanted as in the figure below) brings an improvement by increasing the "amount" of the received waves.

Some examples:

FIG. 18



US6373353

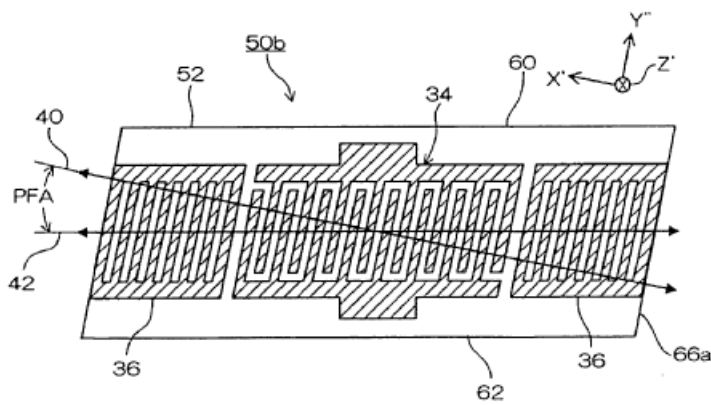


FIG. 9

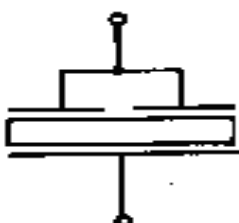
EP1542361 - plane rotated IDT/resonator.

[H03H 9/17](#)

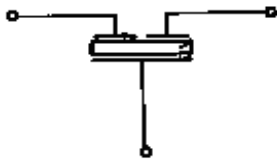
The documents classified in [H03H 9/17](#) relate to single resonators consisting of piezoelectric or electrostrictive material.

A resonator is a one port device having two terminals, whereas a filter is a device having at least two ports.

For example, this is a resonator:

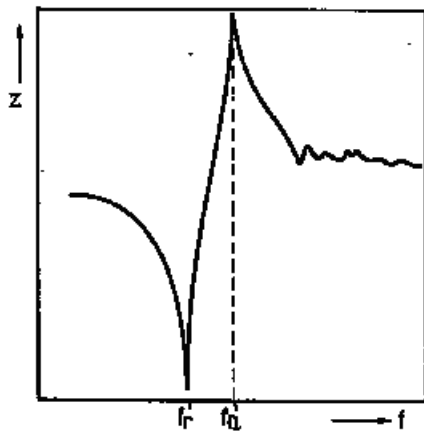


but this is a filter:



A resonator presents a frequency response like this:

f_r being the resonance frequency and f_a the anti-resonance frequency.



Details of bulk acoustic wave devices (e.g. vibration mode, dimensional parameters, characteristics of piezoelectric layers, treatment of substrate, compensation of undesired effects) are classified in [H03H 9/02007+](#).

Piezoelectric resonators implemented with thin-film techniques are classified in [H03H 9/171+](#).

Piezoelectric resonators comprising a ceramic piezoelectric layer are classified in [H03H 9/176](#).

Piezoelectric resonators of the energy-trap type are classified in [H03H 9/177](#).

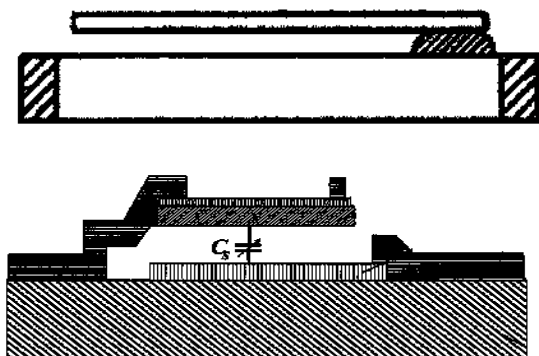
Piezoelectric resonators comprising a laminated structure of multiple piezoelectric layers with inner electrodes are classified in [H03H 9/178](#).

Note:

There are no documents classified in [H03H 9/15](#) as there is no use of this class for the moment.

There are various resonator structures which are classified in [H03H 9/17](#), as for example:

- Cantilever Resonators:

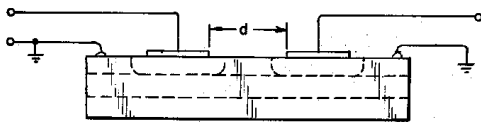
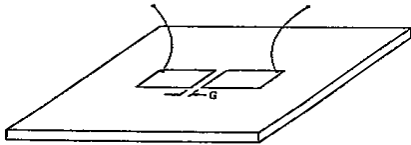


These documents should be provided with the following keyword:

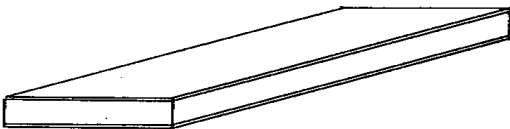
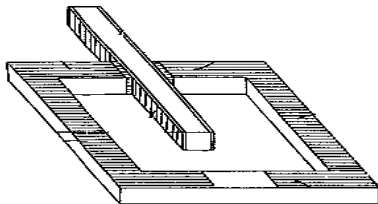
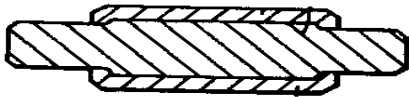
09 baw cantilever resonators ([H03H](#))

- Lateral Field Resonators:

In lateral-field excitation resonators a single pair of electrode is formed on a surface of the piezoelectric plate. The electrodes are separated by a narrow gap across which is generated an electric driving field by the application of an excitation voltage applied to the electrode extremities at the peripheral edge of the piezoelectric plate.



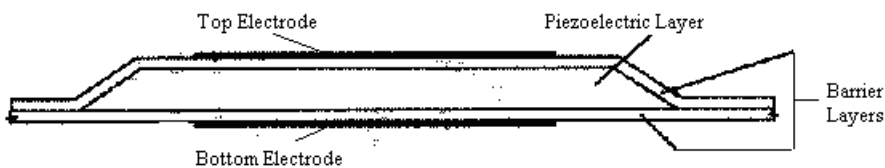
- And a lot of other types:

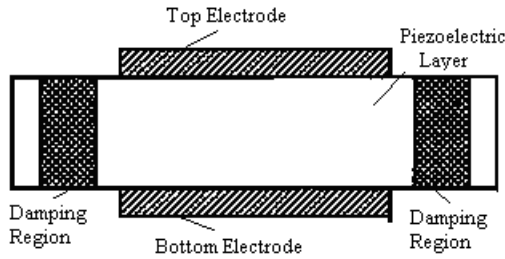


[H03H 9/171](#)

The documents classified in [H03H 9/171](#) relate to resonators implemented with thin-film techniques presenting a structure which comprises no means for mounting on a substrate (see [H03H 9/172+](#)).

The group contains a lot of different resonator structures implemented with thin-film techniques, as for example:



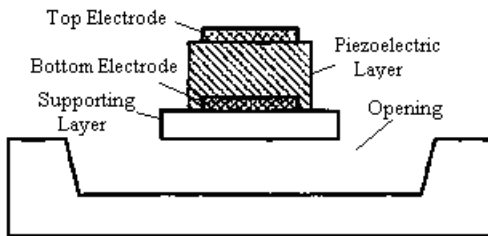


[H03H 9/172](#)

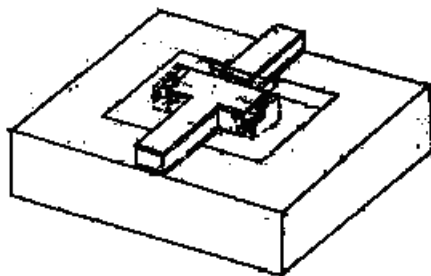
The documents classified in [H03H 9/172](#) relate to resonators implemented with thin-film techniques with emphasis on the means for mounting on a substrate.

There are a lot of possibilities for mounting a thin-film resonator on a substrate, different from the one associated to the air-gap type (see [H03H 9/173](#)), the membrane type (see [H03H 9/174](#)) and the acoustic mirror type (see [H03H 9/175](#)), as for example:

- Suspended thin film resonators (STFR) or resonators having a bridge structure:



- Most of the microelectromechanical resonators (MEMS) comprising a piezoelectric layer:

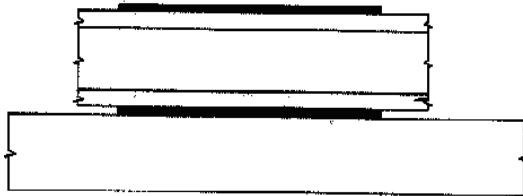


For more details about piezoelectric mems, see Note on FBAR versus MEMS.

- Overmoded resonators (see also [H03H 9/02007](#)):



- And a lot of other resonators:



Note:

The last figure has also to be classified in the keyword 09 baw cantilever resonators ([H03H](#)).

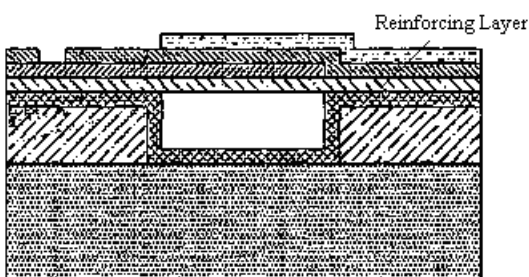
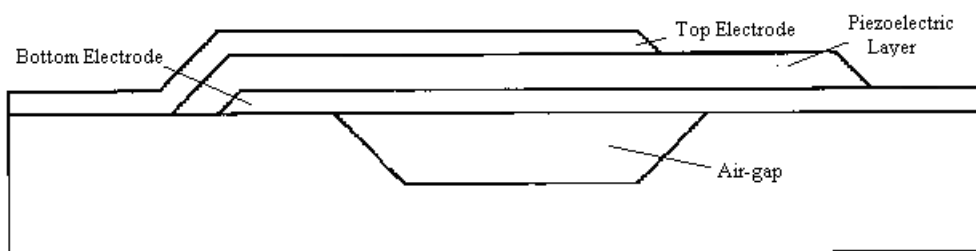
[H03H 9/173](#)

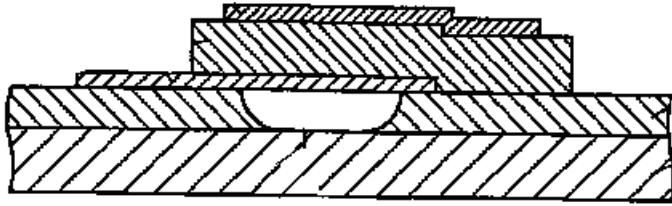
The documents classified in [H03H 9/173](#) relate to air-gap type resonators.

In the air-gap type resonators, there is a cavity formed between the resonant part and the substrate.

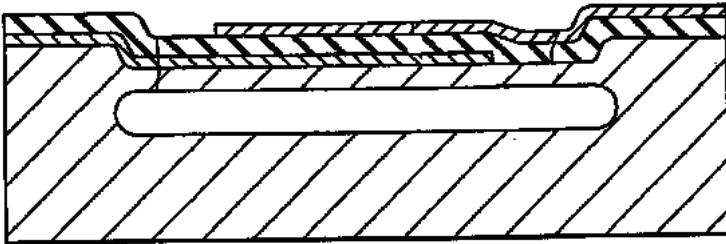
This cavity is often formed by etching a sacrificial layer (also called temporary layer).

Forming a cavity under the resonant portion is one way of confining the bulk acoustic waves to a volume usually comprised between the overlapping area of the electrodes, i.e. of providing the required acoustical isolation between the resonant structure and the supporting substrate.





It has to be noted that structures with the cavity inside the substrate have also to be classified in [H03H 9/173](#), as for example:



Note:

If details about membrane and/or mirror type resonators are provided, the document should also be classified in [H03H 9/174](#) and/or [H03H 9/175](#).

[H03H 9/174](#)

The documents classified in [H03H 9/174](#) relate to membrane type resonators.

In the membrane type resonators, there is a cavity (a via hole) formed under the resonant part through the substrate.

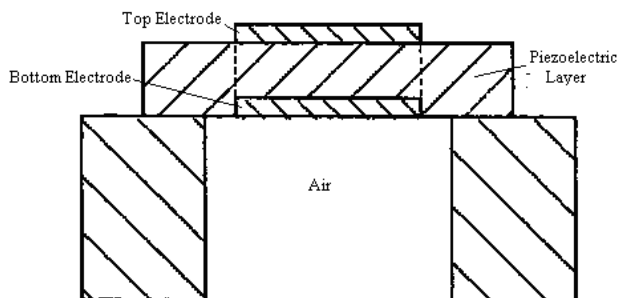
Forming a cavity under the resonant portion is one way of confining the bulk acoustic waves to a volume usually comprised between the overlapping area of the electrodes, i.e. of providing the required acoustical isolation between the resonant structure and the supporting substrate.

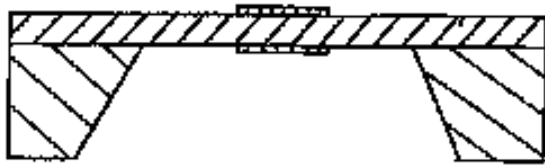
There are two main types of membrane resonators (both classified in [H03H 9/171](#)).

1/ Edge supported membrane resonators:

The resonating structure comprises, in the cavity area, a piezoelectric layer which is supported on the substrate by its edges.

These membrane resonators are further characterized by a direct interface bottom electrode / air.



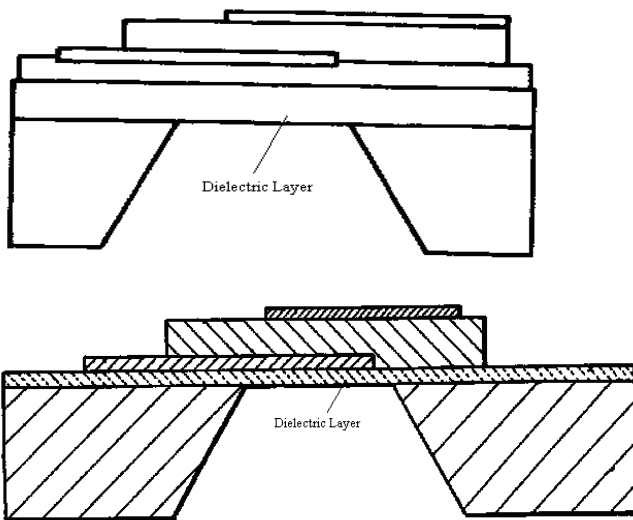


2/ Composite membrane resonators:

The resonating structure comprises, in the cavity area, a piezoelectric layer which is supported on a non-piezoelectric layer (e.g. a semiconductor or dielectric layer).

These documents should be provided with the following keyword:

09 17a1b composite membrane ([H03H](#))

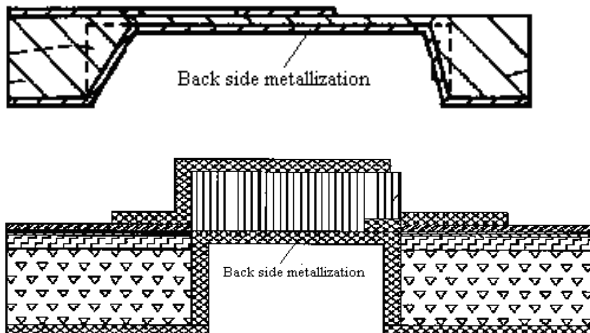


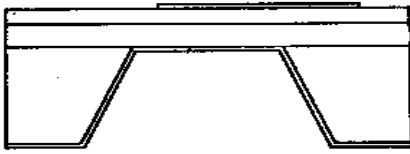
A last detail applicable to the two types of membrane resonator is the bottom side metallization.

The metallization forming the bottom electrode of the resonator completely covers the bottom surface of the membrane in the cavity area, and extends in a seamless way so as to cover also the adjacent walls of the substrate defining the cavity.

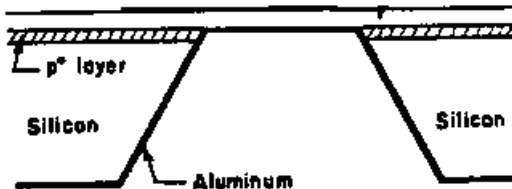
These documents should be provided with the following keyword:

09 13 bottom side metallization ([H03H](#))





The last figure represents a composite membrane resonator with the bottom side metalization. So it has to be classified in [H03H 9/174](#) and under the two keywords described before.



This last membrane resonator presents a bottom side metallization but is not a composite membrane resonator, as the dielectric layer is not present in the resonant part.

Note:

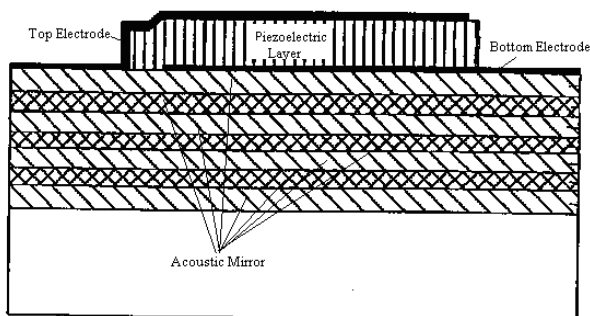
If details about air-gap and/or mirror type resonators are provided, the document should also be classified in [H03H 9/173](#) and/or [H03H 9/175](#).

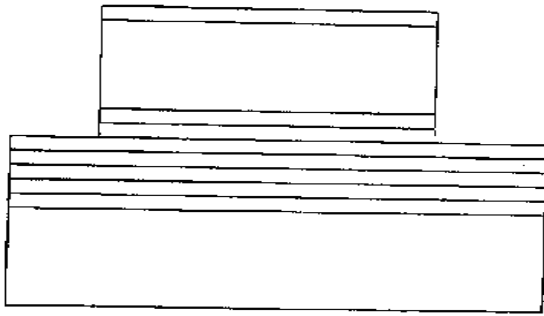
[H03H 9/175](#)

The documents classified in [H03H 9/175](#) relate to mirror type resonators (aka solidly mounted resonators).

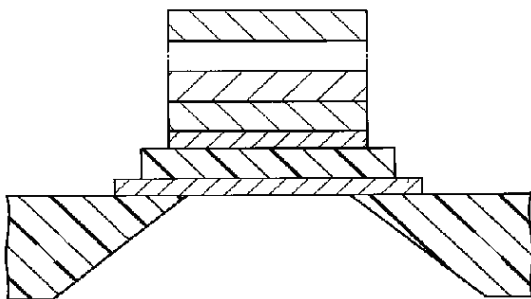
In the mirror type resonators, there is an acoustic reflector (aka acoustic mirror, Bragg reflector...) composed of alternatively arranged high and low acoustic impedance layers. Usually the thickness of these layers is $\lambda/4$ or $\lambda/2$. The acoustic reflector is disposed between the resonant part and the substrate.

Forming an acoustic reflector under the resonant portion is one way of confining the bulk acoustic waves to a volume usually comprised between the overlapping area of the electrodes, i.e. of providing the required acoustical isolation between the resonant structure and the supporting substrate.





If the alternating laminated layers of high and low acoustic impedance are disposed on top of the top electrode, the document should not be classified in **H03H17/A1C** but accordingly to the other characteristics of the structure of the resonator, as for example:



Note:

If details about air-gap and/or membrane type resonators are provided, the document should also be classified in [H03H 9/173](#) and/or [H03H 9/174](#).

[H03H 9/176](#)

The documents classified in [H03H 9/176](#) relate to single resonators comprising a ceramic piezoelectric layer, which is polarized.

This polarization is required in order to exploit the specific piezoelectric properties of the ceramic piezoelectric layer.

Note:

[H03H 9/177](#) and [H03H 9/178](#) take precedence over [H03H 9/176](#).

There are two groups of ceramic materials:

* Non spontaneous polarized materials:

Ta₂O₅, (Ba,Sr)TiO₃ (BST), LiTaO₃ (lithium tantalate), LiNbO₃ (lithium niobate), AlN (aluminium nitride)

* Spontaneous polarized materials:

Ferroelectric:

Ferroelectrics exhibit a spontaneous dipole moment which can be reoriented.

Pb(Zr,Ti)O₃ (PZT, lead zirconate, lead titanate), SrBi₂Ta₂O₉(SBT), perovskite type.

Antiferroelectric:

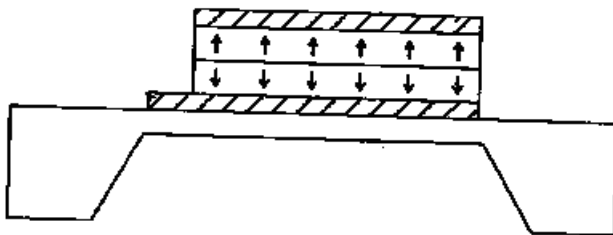
Antiferroelectrics have antiparallel dipoles which can be transferred into a parallel state (ferroelectric state) under an applied field. As a consequence, antiferroelectrics exhibit a double hysteresis loop in their P-E curve.

$\text{Pb}_{0.99}\text{Nb}_{0.02}(\text{Zr}_{0.85}\text{Sn}_{0.13}\text{Ti}_{0.02})_{0.98}\text{O}_3$ (PNZST), $\text{Pb}_{0.97}\text{La}_{0.02}(\text{Zr}_{0.65}\text{Sn}_{0.31}\text{Ti}_{0.04})\text{O}_3$ (PLZST, PLZT).

The documents classified in [H03H 9/176](#) disclose resonators comprising:

- Non spontaneous polarized materials being polarized.
- Spontaneous polarized materials taking advantage of the intrinsic piezoelectric properties of these materials, wherein in some cases, the direction of the polarization will be reoriented.

Also if the ceramic piezoelectric layer comprises a plurality of stacked piezoelectric layers, with no embedded electrodes, as for example:



Documents dealing with the properties of the ceramic piezoelectric layer (e.g. cutting angles) are classified in [H03H 9/02031](#).

[H03H 9/177](#)

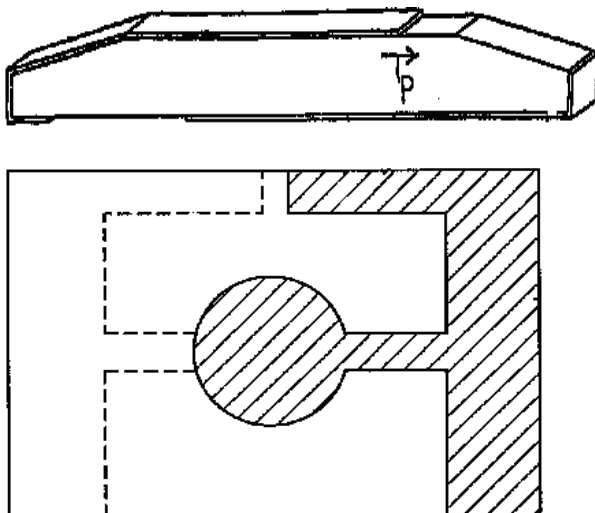
The documents classified in [H03H 9/177](#) relate to energy-trap type resonators.

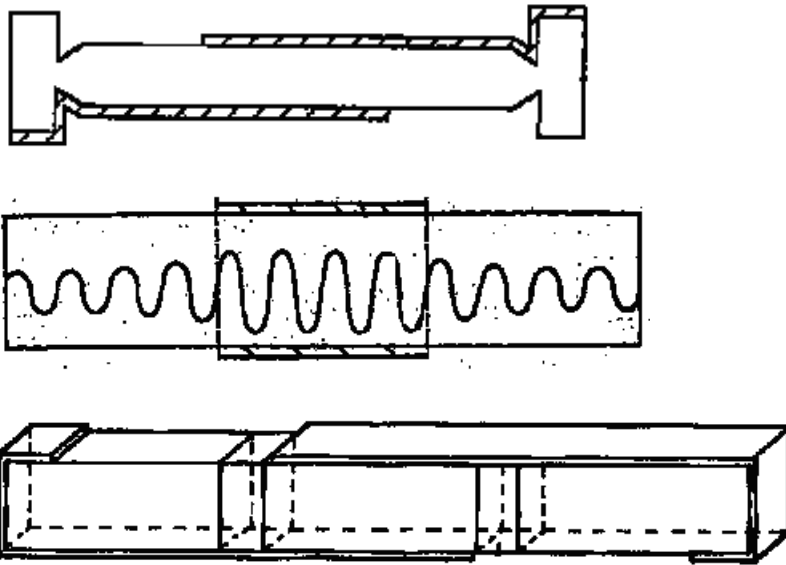
Note:

As most of the time the substrates of the energy-trap type resonators are made of ceramic, [H03H 9/177](#) takes precedence on [H03H 9/176](#).

This type of resonator is constituted of a piezoelectric layer and a pair of electrodes formed on opposite surfaces of the piezoelectric layer.

The vibration energy is produced and mainly confined to the volume determined in the piezoelectric layer by the overlapping area of the electrodes. However, it can not be avoided that this energy propagates outside this virtual volume, resulting in an increase of the insertion loss (see last figure).





In the last figure, the vibrating part is at the center, and then we have reflective layers and holding members.

[H03H 9/178](#)

Documents classified in [H03H 9/178](#) relate to single resonators comprising a laminated structure of multiple piezoelectric layers with inner electrodes.

Note:

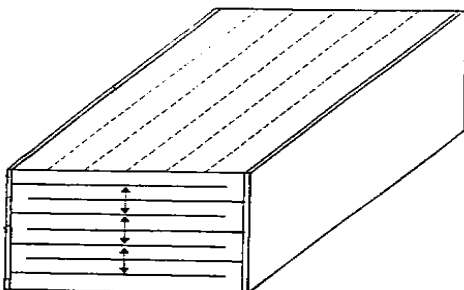
[H03H 9/178](#) takes precedence over [H03H 9/176](#).

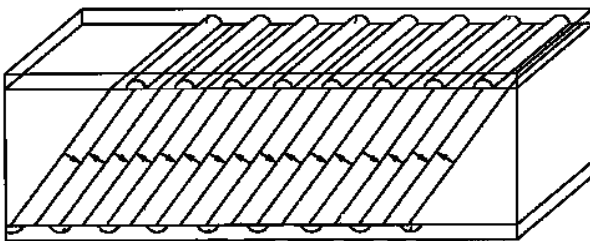
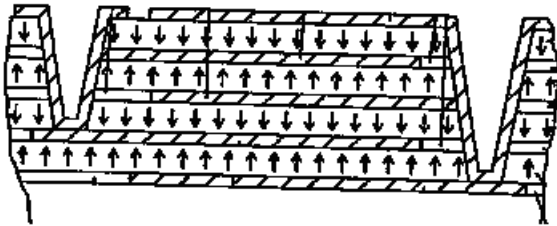
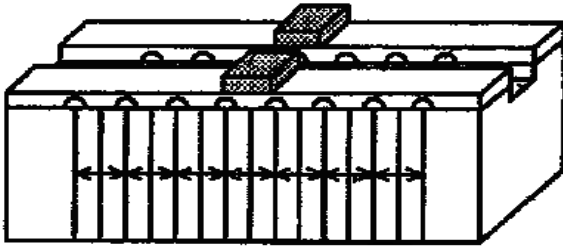
The electrode layers and the piezoelectric layers, which are made of ceramic materials are alternately stacked. (see definition of [H03H 9/176](#) for more details about ceramic materials)

The stacked piezoelectric layers are interleaved with electrodes. Any two adjacent layers have opposite polarities.

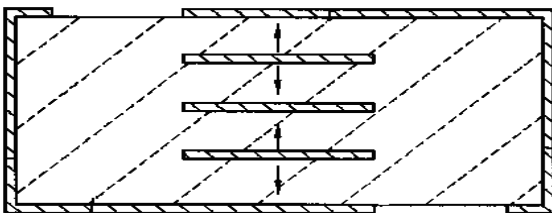
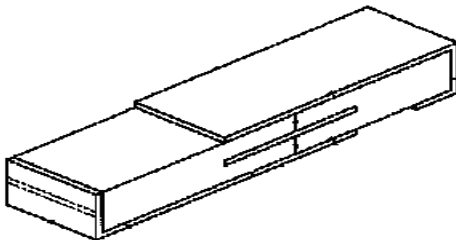
There are two main groups of resonators of this type.

1/ In the first group, the electrodes are alternately connected to two different external bus-bars electrodes.

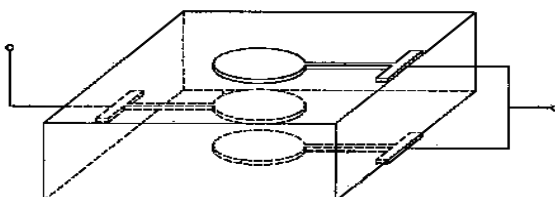




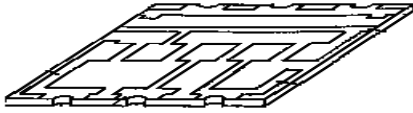
2/ In the second group, each adjacent pair of piezoelectric layers sandwiches a floating electrode entirely embedded in the multilayer structure.



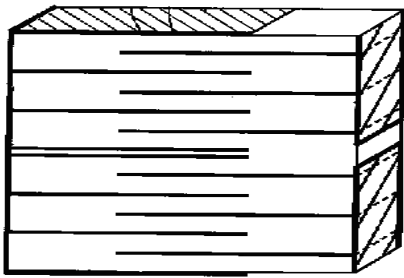
There are also some other resonators not falling under the two previous group, which have still to be classified in [H03H 9/178](#) as they also comprised two piezoelectric layers made of ceramic material and inner electrodes.



Details about a ladder or lattice structure of resonators of this type are classified respectively in [H03H 9/568](#), [H03H 9/605](#) and [H03H 9/0095](#).



Filters of the laminated structure are classified in [H03H 9/562](#) or in [H03H 9/581](#).

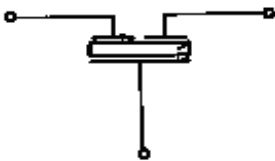


[H03H 9/54](#)

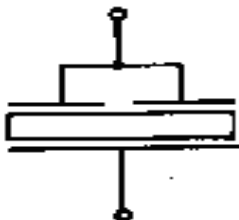
The documents classified in [H03H 9/54](#) relate to filters comprising resonators consisting of piezoelectric or electrostrictive material, which are not of the surface acoustic waves type, since [H03H 9/64](#) takes precedence.

A filter is a device having at least two ports, whereas a resonator is a one port device having two terminals.

For example, this is a filter:



but this is a resonator:



Filters comprising piezoelectric resonator(s) and passive elements are classified in [H03H 9/542](#).

Filters comprising piezoelectric resonator(s) and active elements are classified in [H03H 9/545](#).

Piezoelectric monolithic filters are classified in [H03H 9/56+](#).

Piezoelectric polyolithic filters are classified in [H03H 9/58+](#).

Details of bulk acoustic wave devices (e.g. vibration mode, dimensional parameters, characteristics of piezoelectric layers, treatment of substrate, compensation of undesired effects) are classified in [H03H 9/02007+](#).

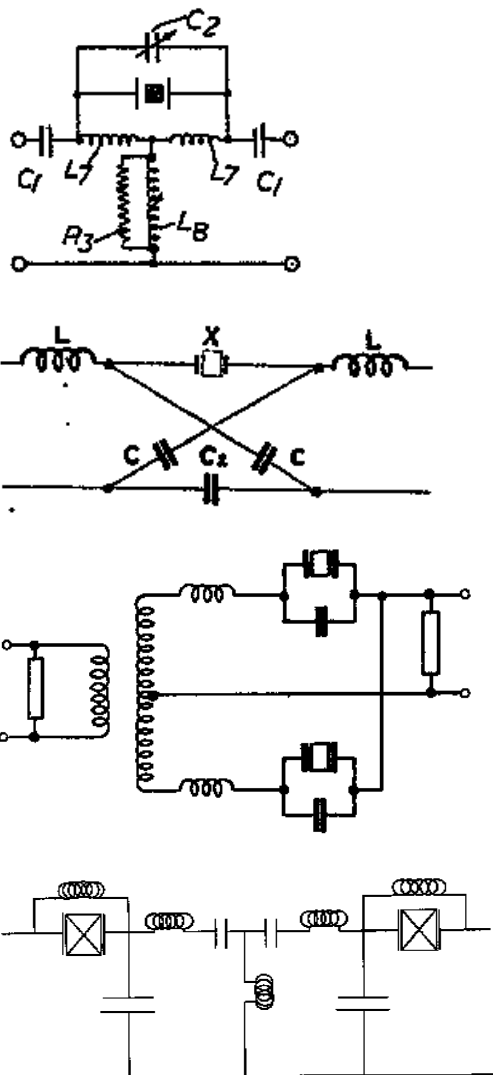
[H03H 9/542](#)

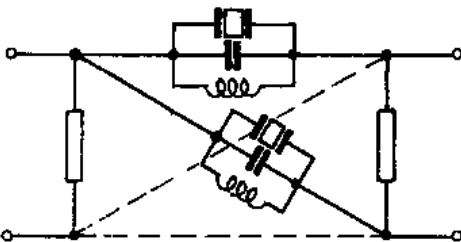
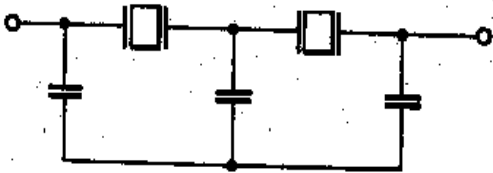
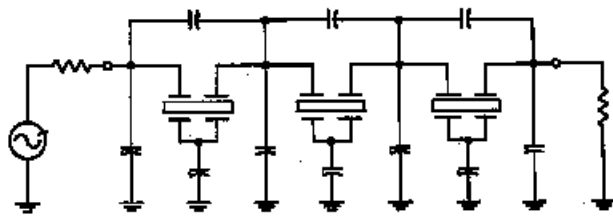
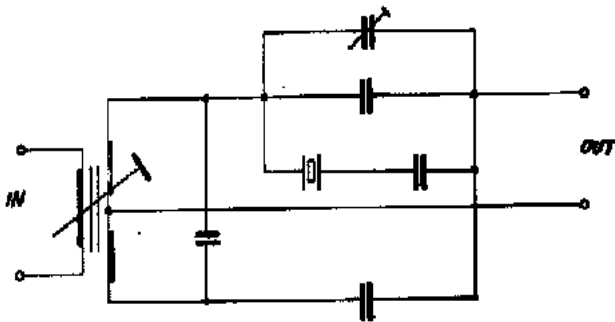
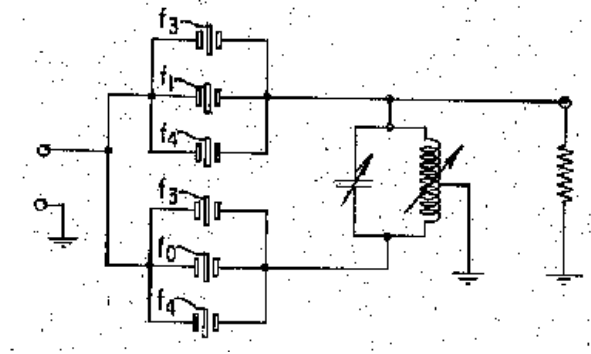
The documents classified in [H03H 9/542](#) relate to filters comprising piezoelectric resonator(s) and passive elements (R, L, C).

Note:

[H03H 9/545](#) takes precedence over [H03H 9/542](#).

There are various possibilities:



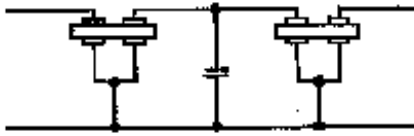


Note:

The last figure has also to be classified in [H03H 9/0095](#).

Note:

If the passive elements are only coupling capacitances, as for example:



Then the documents should not be classified in [H03H 9/542](#), but in [H03H 9/56](#) or [H03H 9/58](#) depending if the structure is monolithic or polyolithic.

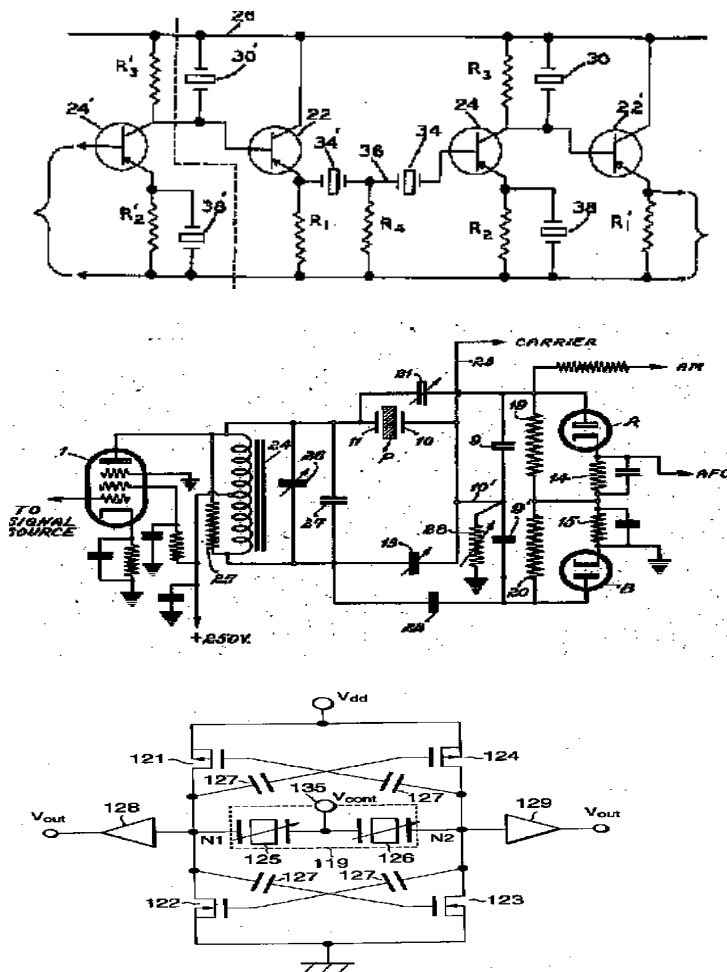
[H03H 9/545](#)

The documents classified in [H03H 9/545](#) relate to filters comprising piezoelectric resonator(s) and active elements.

Note:

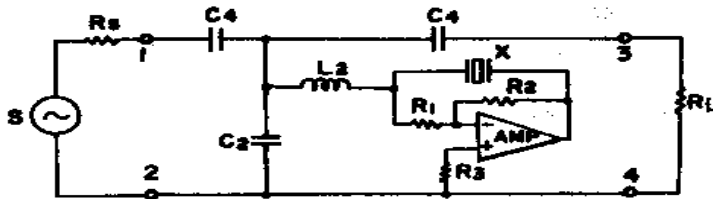
[H03H 9/545](#) takes precedence over [H03H 9/542](#).

There are various possibilities:



Note:

Oscillators using amplifier with the frequency-determining element being an acoustic wave piezoelectric resonator are classified in [H03B 5/326](#), as for example:

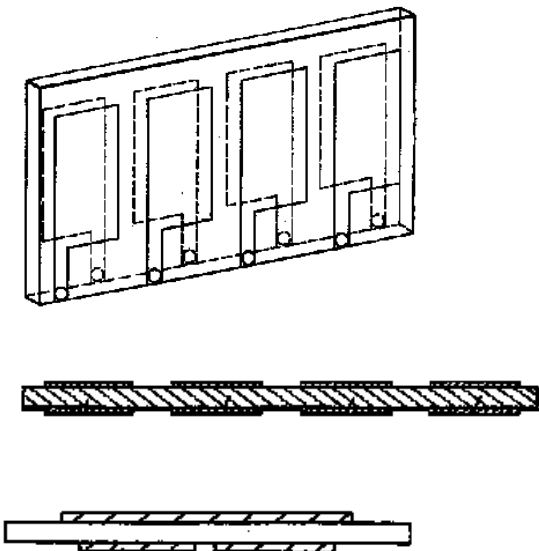


[H03H 9/56](#)

The documents classified in [H03H 9/56](#) relate to monolithic crystal filters consisting of piezoelectric or electrostrictive material.

Monolithic filters comprise a single piezoelectric layer sandwiched between at least three electrodes, so as to form at least two resonators.

To be classified in [H03H 9/56](#) and lower, details about the structure of the piezoelectric filter should be given.



Monolithic filters comprising a ceramic piezoelectric layer are classified in [H03H 9/562](#).

Monolithic filters implemented with thin-film techniques are classified in [H03H 9/564](#).

Monolithic filters including details of electrical coupling means are classified in [H03H 9/566](#) or [H03H 9/568](#) if the electrical coupling means are arranged in order to form a ladder configuration.

[H03H 9/562](#)

The documents classified in [H03H 9/562](#) relate to monolithic filters comprising a ceramic piezoelectric layer, which is polarized.

This polarization is required in order to exploit the specific piezoelectric properties of the ceramic piezoelectric layer.

There are two groups of ceramic materials:

* Non spontaneous polarized materials:

Ta₂O₅, (Ba,Sr)TiO₃ (BST), LiTaO₃ (lithium tantalate), LiNbO₃ (lithium niobate), AlN (aluminium nitride)

* Spontaneous polarized materials:

Ferroelectric:

Ferroelectrics exhibit a spontaneous dipole moment which can be reoriented.

Pb(Zr,Ti)O₃ (PZT, lead zirconate, lead titanate), SrBi₂Ta₂O₉(SBT), perovskite type.

Antiferroelectric:

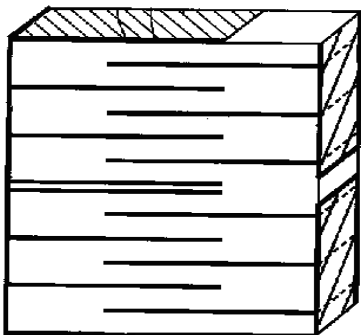
Antiferroelectrics have antiparallel dipoles which can be transferred into a parallel state (ferroelectric state) under an applied field. As a consequence, antiferroelectrics exhibit a double hysteresis loop in their P-E curve.

Pb_{0.99}Nb_{0.02}(Zr_{0.85} Sn_{0.13} Ti_{0.02})_{0.98}O₃ (PNZST), Pb_{0.97}La_{0.02}(Zr_{0.65} Sn_{0.31} Ti_{0.04})O₃ (PLZST, PLZT).

The documents classified in [H03H 9/562](#) disclose monolithic filters comprising:

- Non spontaneous polarized ceramic materials being polarized.
- Spontaneous polarized ceramic materials taking advantage of the intrinsic piezoelectric properties of these materials, wherein in some cases, the direction of the polarization will be reoriented.

Ceramic monolithic filters with a laminated structure like the one of the resonators of [H03H 9/178](#) are classified in [H03H 9/562](#), as for example:



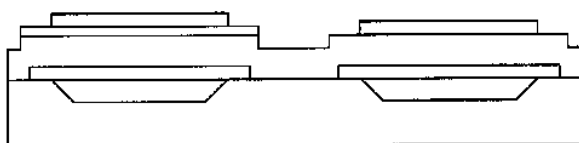
Documents dealing with the properties of the ceramic piezoelectric layer (e.g. cutting angles) are classified in [H03H 9/02031](#).

[H03H 9/564](#)

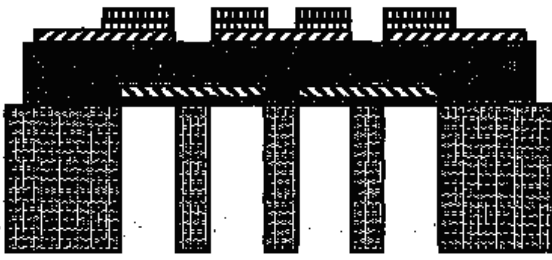
The documents classified in [H03H 9/564](#) relate to monolithic filters implemented with thin-film techniques.

Most of them disclose details related to mounting on a substrate (see [H03H 9/172+](#) for more details about the known structure types), as for example:

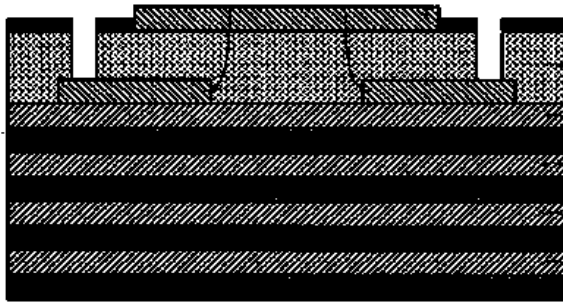
- Air-gap type:



- Membrane type:



- Mirror type:



[H03H 9/566](#)

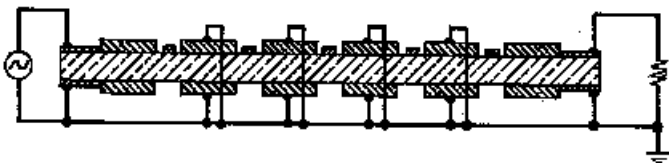
The documents classified in [H03H 9/566](#) relate to monolithic filters including details of electrical coupling means.

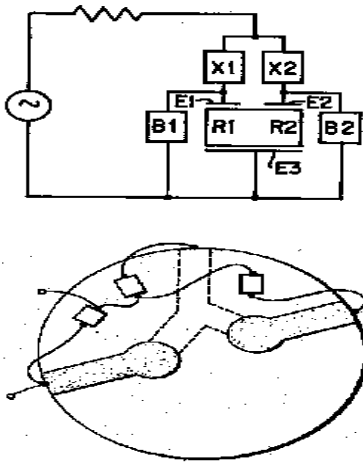
The electrical coupling means are understood as means interconnecting the electrodes of the piezoelectric monolithic filter. Coupling capacitances are not understood as electrical coupling means (see example at the bottom of the page).

Note:

[H03H 9/0095](#) takes precedence over [H03H 9/566](#).

The electrical coupling means can be implemented in a variety of ways:



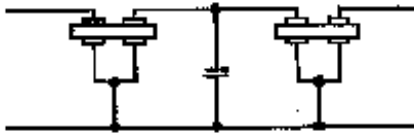


Electrical coupling means arranged in order to form a ladder configuration are classified in [H03H 9/568](#).

Electrical coupling means arranged in order to form a BALUN network are classified in [H03H 9/0095](#).

Note:

If the coupling means are only coupling capacitances, as for example:

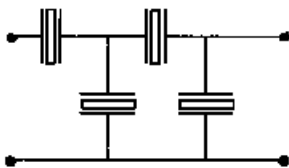


Then the documents should not be classified in [H03H 9/566](#), but in [H03H 9/56](#).

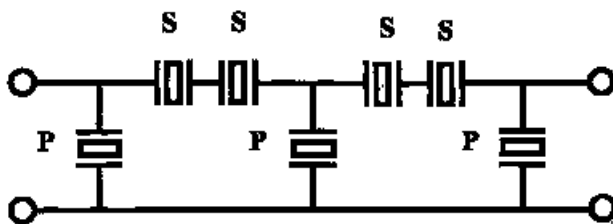
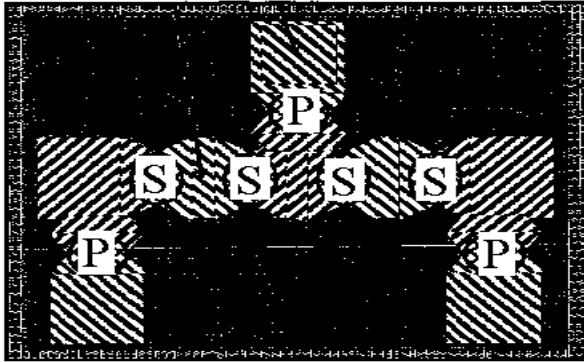
[H03H 9/568](#)

The documents classified in [H03H 9/568](#) relate to monolithic filters including details of electrical coupling means arranged in order to form a ladder configuration.

A ladder configuration is of this type:



Only documents disclosing specific details about the ladder are classified in [H03H 9/568](#).



Note:

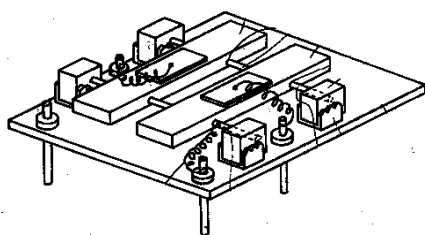
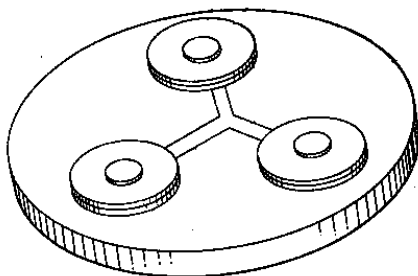
If the ladder filter is not a monolithic filter (see the definition in [H03H 9/56](#)), see [H03H 9/605](#).

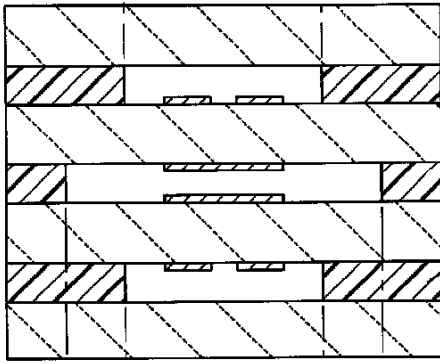
[H03H 9/58](#)

The documents classified in [H03H 9/58](#) relate to multiple crystal filters (aka polyolithic crystal filters) consisting of piezoelectric or electrostrictive material.

Polyolithic filters comprise multiple piezoelectric layers, each sandwiched between electrodes.

To be classified in [H03H 9/58](#) and lower, details about the structure of the piezoelectric filter should be given.





Polyolithic filters comprising ceramic piezoelectric layers are classified in [H03H 9/581](#).

Polyolithic filters implemented with thin-film techniques are classified in [H03H 9/582+](#).

Polyolithic filters comprising electrical coupling means are classified in [H03H 9/60](#) or in [H03H 9/605](#) if the electrical coupling means are arranged in order to form a ladder configuration.

[H03H 9/581](#)

The documents classified in [H03H 9/581](#) relate to polyolithic filters comprising ceramic piezoelectric layers, which are polarized.

These polarizations are required in order to exploit the specific piezoelectric properties of the ceramic piezoelectric layers.

There are two groups of ceramic materials:

* Non spontaneous polarized materials:

Ta₂O₅, (Ba,Sr)TiO₃ (BST), LiTaO₃ (lithium tantalate), LiNbO₃ (lithium niobate), AlN (aluminium nitride)

* Spontaneous polarized materials:

Ferroelectric:

Ferroelectrics exhibit a spontaneous dipole moment which can be reoriented.

Pb(Zr,Ti)O₃ (PZT, lead zirconate, lead titanate), SrBi₂Ta₂O₉(SBT), perovskite type.

Antiferroelectric:

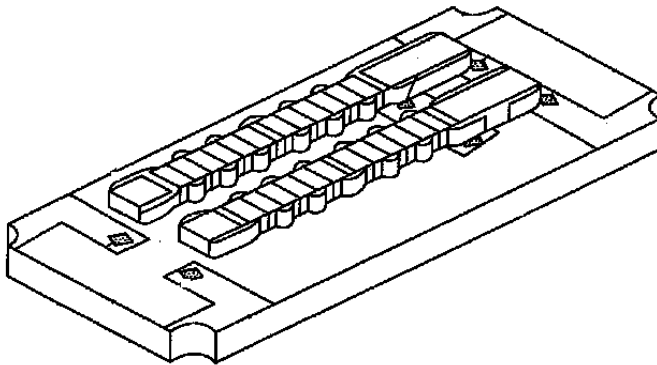
Antiferroelectrics have antiparallel dipoles which can be transferred into a parallel state (ferroelectric state) under an applied field. As a consequence, antiferroelectrics exhibit a double hysteresis loop in their P-E curve.

Pb_{0.99}Nb_{0.02}(Zr_{0.85} Sn_{0.13} Ti_{0.02})_{0.98}O₃ (PNZST), Pb_{0.97}La_{0.02}(Zr_{0.65} Sn_{0.31} Ti_{0.04})O₃ (PLZST, PLZT).

The documents classified in [H03H 9/581](#) disclose polyolithic filters comprising:

- Non spontaneous polarized ceramic materials being polarized.
- Spontaneous polarized ceramic materials taking advantage of the intrinsic piezoelectric properties of these materials, wherein in some cases, the direction of the polarization will be reoriented.

Ceramic polyolithic filters with a laminated structure corresponding to the one of the resonators of [H03H 9/178](#) are classified in [H03H 9/581](#), as for example:

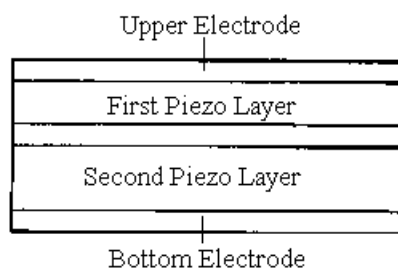
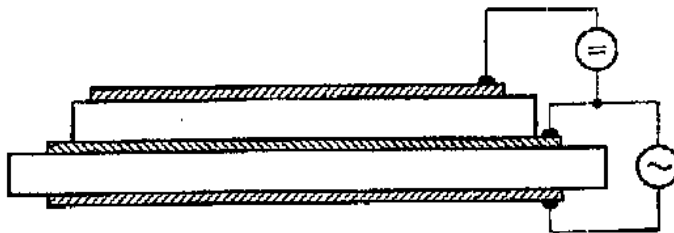


Documents dealing with the properties of the ceramic piezoelectric layer (e.g. cutting angles) are classified in [H03H 9/02031](#).

[H03H 9/582](#)

The documents classified in [H03H 9/582](#) relate to polyolithic filters implemented with thin-film techniques.

There are various possibilities:



Means of acoustical coupling between the piezoelectric layers are classified in [H03H 9/583+](#).

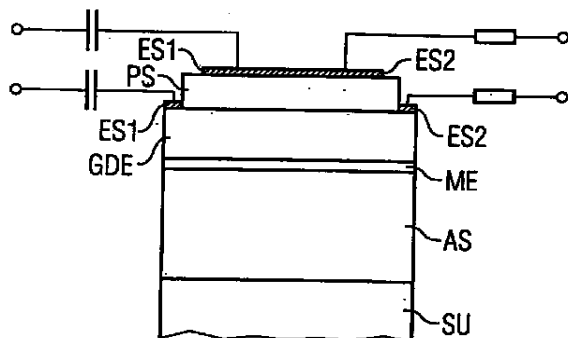
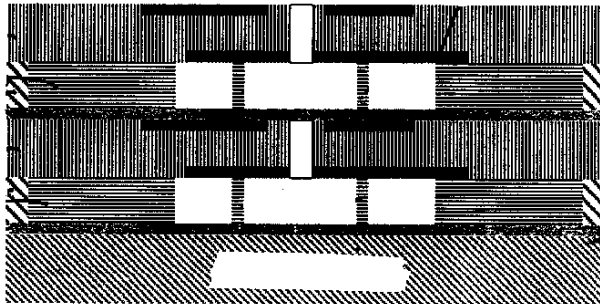
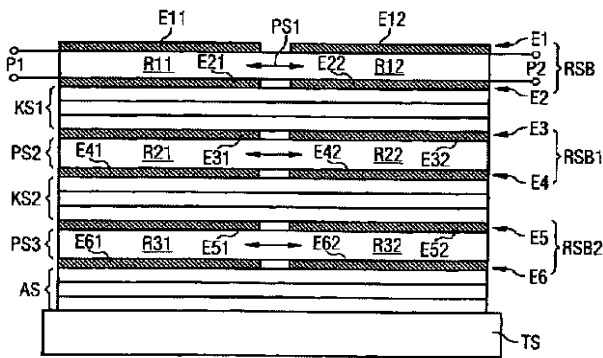
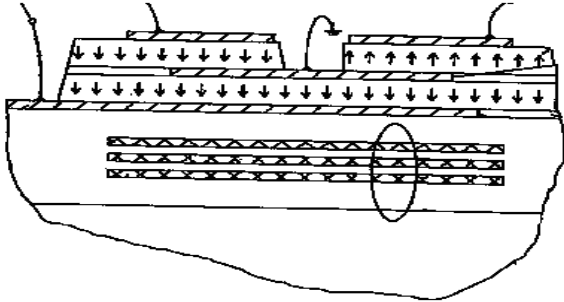
Means for mounting on a substrate are classified in [H03H 9/586+](#).

[H03H 9/583](#)

The documents classified in [H03H 9/583](#) relate to thin-film polyolithic filters with emphasis on the means of acoustical coupling.

Documents having unusual acoustical coupling details, not corresponding to the definitions of the coupled resonator filter ([H03H 9/584](#)) or the stacked crystal filter ([H03H 9/585](#)), are classified in [H03H 9/583](#).

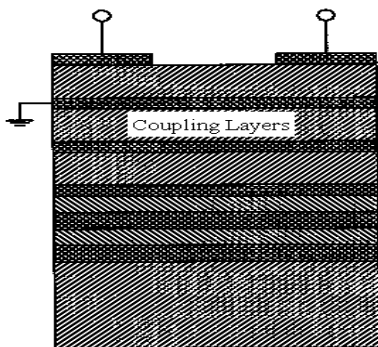
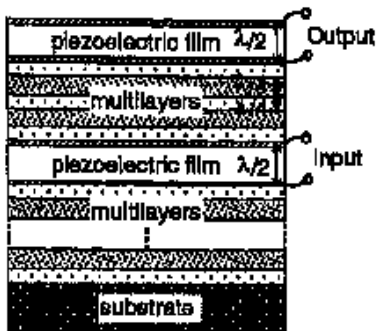
There are various possibilities:



[H03H 9/584](#)

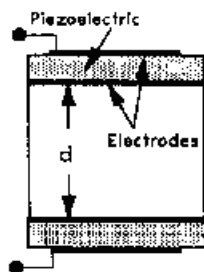
The documents classified in [H03H 9/584](#) relate to thin-film polyolithic filters comprising stacked piezoelectric layers acoustically coupled through acoustic coupling layers.

A coupled resonator filter (CRF) comprises two or more stacked piezoelectric resonators (consisting each of a piezoelectric layer sandwiched between two electrodes) that are coupled by an acoustic coupling layer located between the piezoelectric resonators.



Sometimes these filters are called HBAR for High-overtone Bulk Acoustic Resonator.

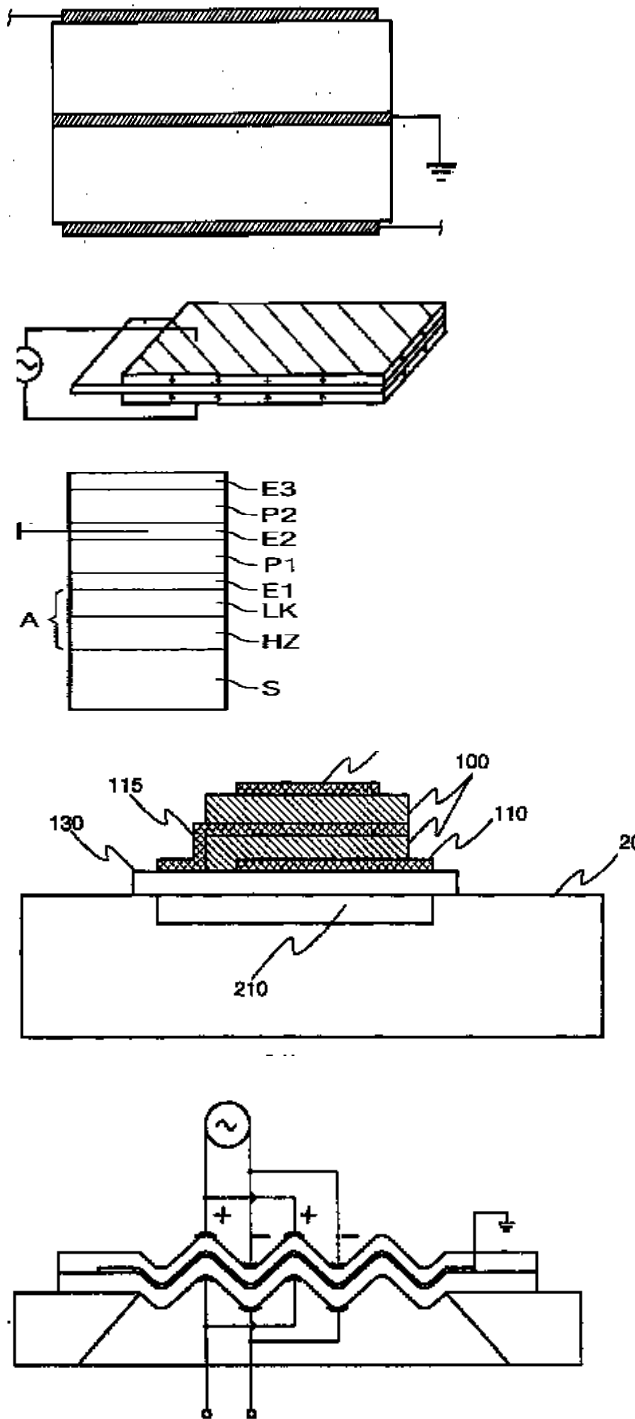
These filters are of the overmoded type and should also be classified in [H03H 9/02015](#) and provided with the keyword 09 02b baw details vibration mode overmoded ([H03H](#)), as for example:



[H03H 9/585](#)

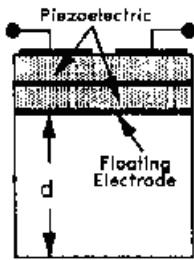
The documents classified in [H03H 9/585](#) relate to thin-film polyolithic filters comprising stacked piezoelectric layers acoustically coupled according to the stacked type.

A stacked crystal filter (SCF) comprises a first piezoelectric layer sandwiched between a top electrode and an intermediate electrode, and a second piezoelectric layer sandwiched between the intermediate electrode and a bottom electrode. Most of the time, the intermediate electrode is grounded.



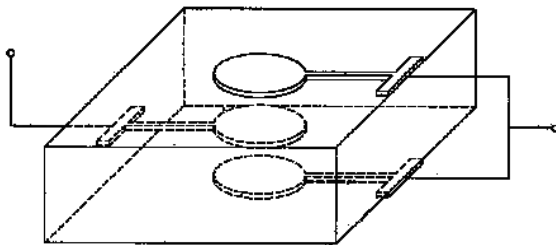
Sometimes these filters are called HBAR for High-overtone Bulk Acoustic Resonator.

These filters are of the overmoded type and should also be classified in [H03H 9/02015](#) and provided with the keyword 09 02b baw details vibration mode overmoded ([H03H](#)), as for example:

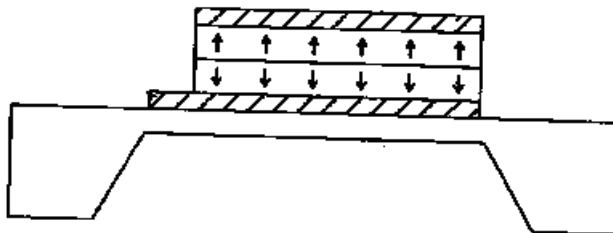


Note:

Resonators that comprise three electrodes and two piezoelectric layers, but where the electrodes are connected so that the device behaves as a resonator and not as a filter, having quite the same structure as Stacked Crystal Filter should be classified in [H03H 9/178](#), as for example:



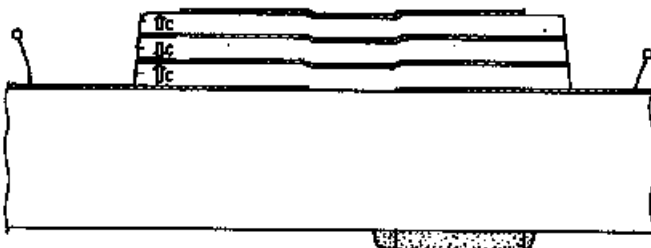
In case there are no electrodes between the at least two piezoelectric layers, then the document should not be classified here, but in the resonator classes ([H03H 9/17+](#)), as for example:

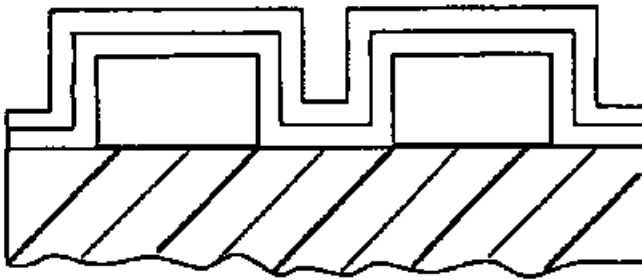
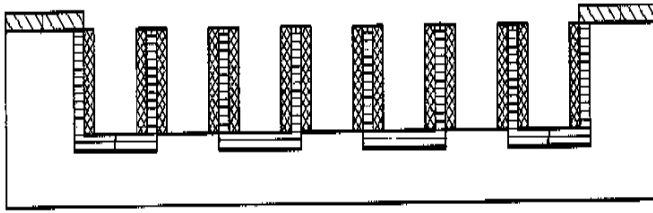


[H03H 9/586](#)

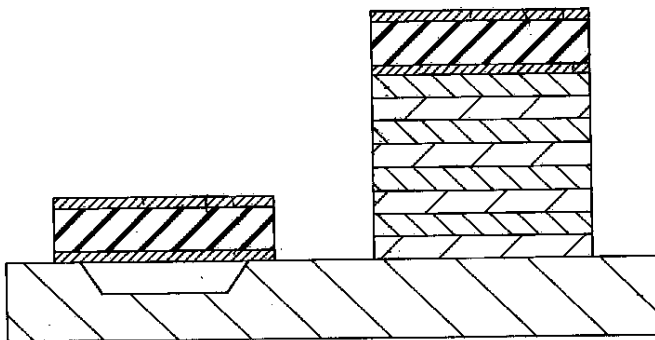
The documents classified in [H03H 9/586](#) relate to polyolithic filters implemented with thin-film techniques with emphasis on the means for mounting on a substrate.

Polyolithic filters with means for mounting on a substrate, which are different from the one associated to the air-gap type (see [H03H 9/587](#)), the membrane type (see [H03H 9/588](#)) and the acoustic mirror type (see [H03H 9/589](#)) are classified in [H03H 9/586](#), as for example:





Documents comprising a mix of the known types have also to be classified in [H03H 9/586](#), as for example:



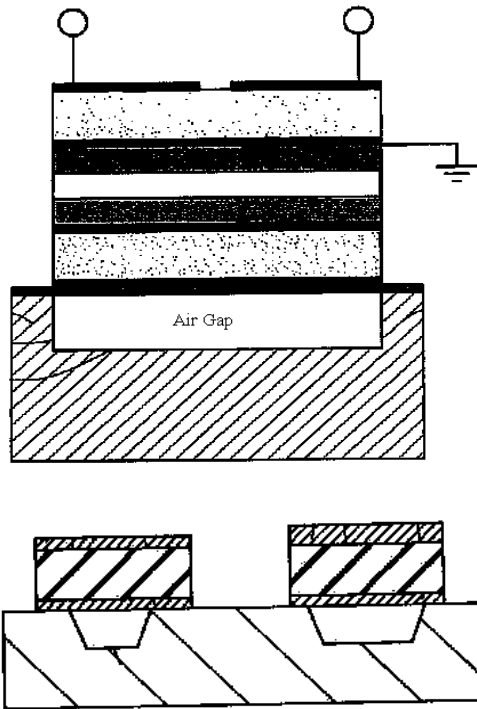
[H03H 9/587](#)

The documents classified in [H03H 9/587](#) relate to thin-film polyolithic filters of the air-gap type.

In the air-gap type thin-film polyolithic filters, there are one or more cavities formed between the resonant part and the substrate.

The cavities are often formed by etching a sacrificial layer (also called temporary layer).

Forming a cavity under the resonant portion is one way of confining the bulk acoustic waves to a volume usually comprised between the overlapping area of the electrodes, i.e. of providing the required acoustical isolation between the resonant structure and the supporting substrate.

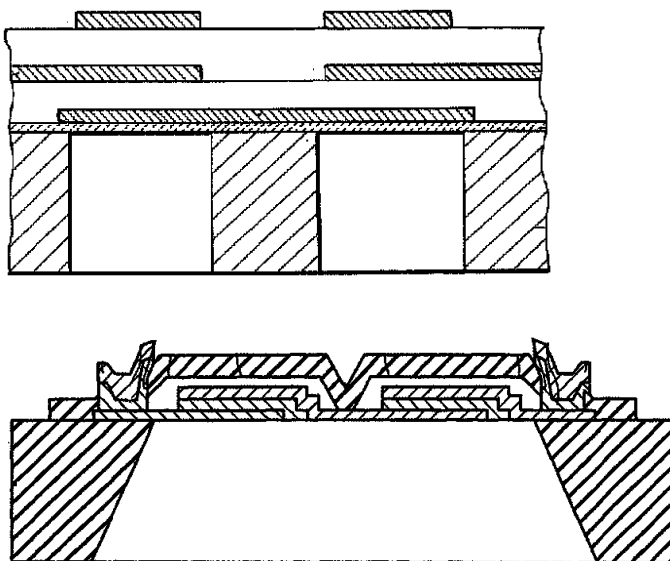


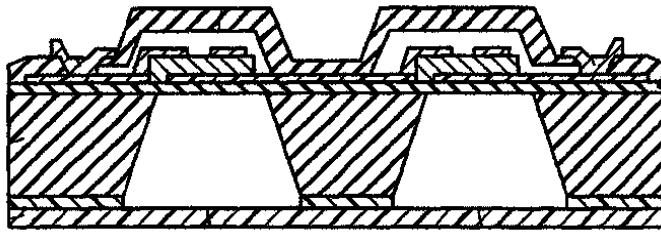
[H03H 9/588](#)

The documents classified in [H03H 9/588](#) relate to thin-film polyolithic filters of the membrane type.

In the membrane type thin-film polyolithic filters, there are one or more cavities (via holes) formed under the resonant part through the substrate.

Forming a cavity under the resonant portion is one way of confining the bulk acoustic waves to a volume usually comprised between the overlapping area of the electrodes, i.e. of providing the required acoustical isolation between the resonant structure and the supporting substrate.



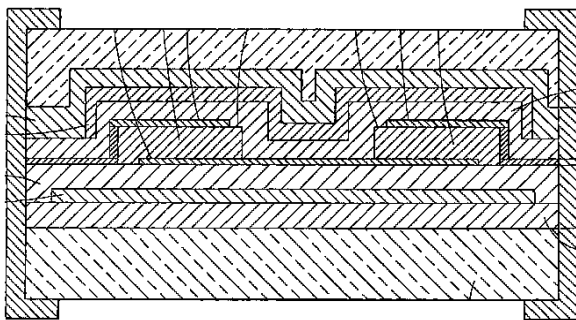
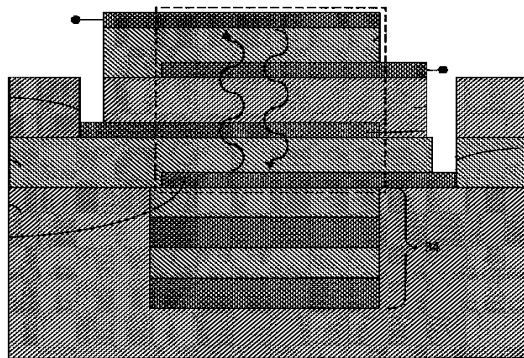


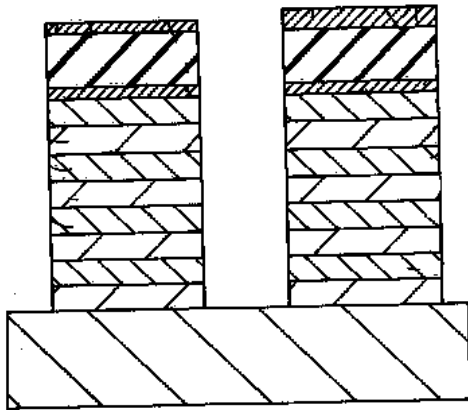
[H03H 9/589](#)

The documents classified in [H03H 9/589](#) relate to thin-film polyolithic filters of the mirror type.

In the mirror type thin-film polyolithic filters, there are one or more acoustic reflectors (aka acoustic mirrors, Bragg reflectors...) composed of alternatively arranged high and low acoustic impedance layers. Usually the thickness of these layers is $\lambda/4$ or $\lambda/2$. The acoustic reflectors are disposed between the resonant part and the substrate.

Forming an acoustic reflector under the resonant portion is one way of confining the bulk acoustic waves to a volume usually comprised between the overlapping area of the electrodes, i.e. of providing the required acoustical isolation between the resonant structure and the supporting substrate.





Note:

Acoustic reflectors can also be placed on top of the resonators. This is mostly done in relation with encapsulation.

[H03H 9/60](#)

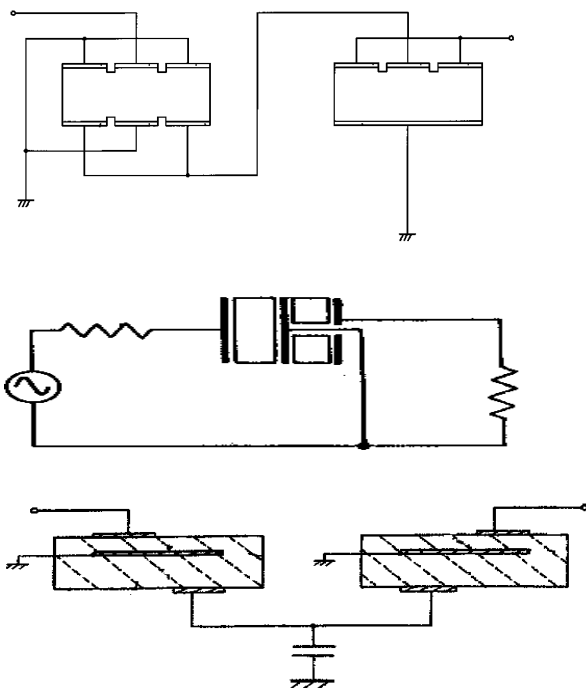
The documents classified in [H03H 9/60](#) relate to polyolithic filters including details of electrical coupling means.

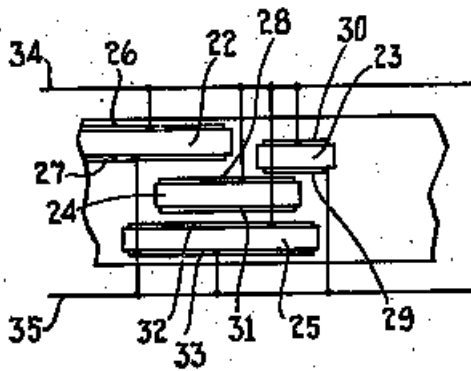
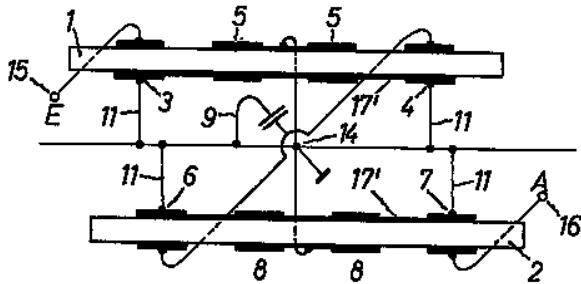
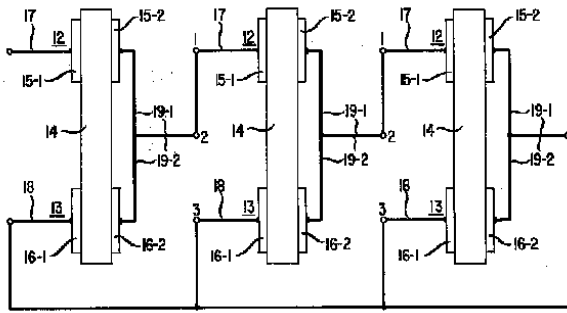
The electrical coupling means are understood as means interconnecting the electrodes of the piezoelectric elements. Coupling capacitances are not understood as electrical coupling means (see example at the end of the class description).

Note:

[H03H 9/0095](#) takes precedence over [H03H 9/60](#).

The electrical coupling means can be implemented in a variety of ways:



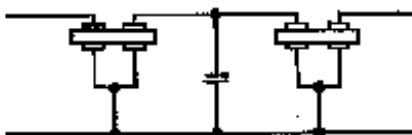


Electrical coupling means arranged in order to form a ladder configuration are classified in [H03H 9/605](#).

Electrical coupling means arranged in order to form a BALUN network are classified in [H03H 9/0095](#).

Note:

If the coupling means are only coupling capacitances, as for example:

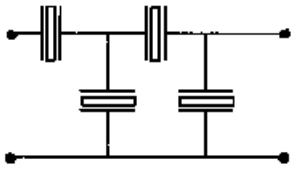


Then the documents should not be classified in [H03H 9/60](#), but in [H03H 9/58](#).

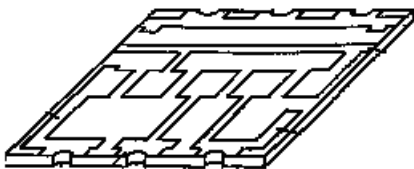
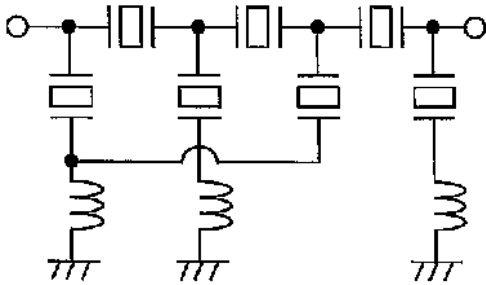
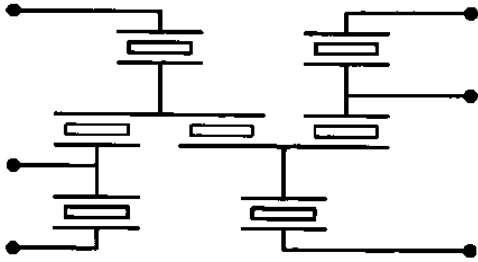
[H03H 9/605](#)

The documents classified in [H03H 9/605](#) relate to polyolithic filters including details of electrical coupling means arranged in order to form a ladder configuration.

A ladder configuration is of this type:



Only documents disclosing specific details about the ladder can be found in [H03H 9/605](#), as for examples:

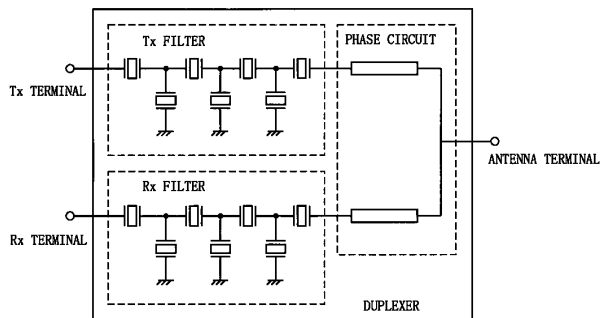


Note:

If the ladder filter is not a polyolithic filter (see the definition in [H03H 9/58](#)), see [H03H 9/568](#).

Note:

Duplexers disclosing an emitter and a receiver filter comprising multiple resonators connected in a ladder configuration, without details given on the ladder are classified in [H03H 9/706](#), as for example:



[H03H 9/6433](#)

Any document disclosing SAW coupled resonator filters not falling under the scope of the subclasses depending on [H03H 9/6433](#) or presenting a precedence to [H03H 9/6433](#) is to be classified here (i.e. SAW coupled filters having more than 2 acoustic tracks; multi-track filters comprising parallel in/out electrically connected filters, etc.). Some examples are given below in the figures.

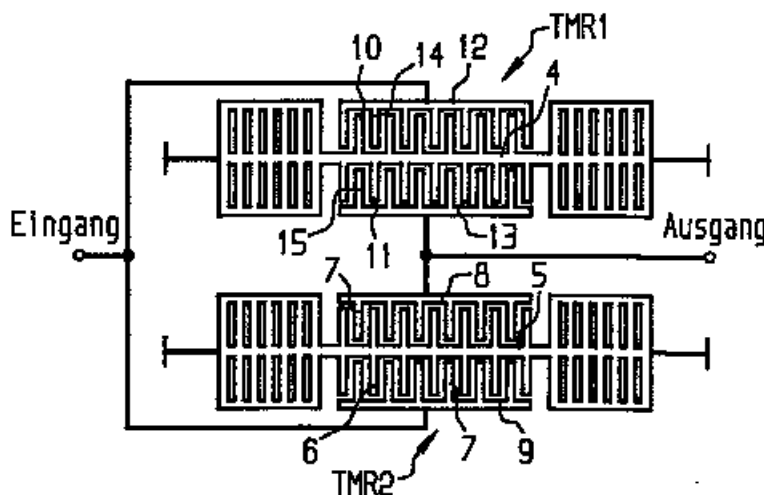


Fig. 1

Relationship BALUN devices ([H03H 9/0028](#)) - coupled resonator filters ([H03H 9/6433](#))

BALUN aspects/embodiments are only to be classified in [H03H 9/0028+](#) although most of the times BALUN devices employ SAW coupled structures. This is already specified by the precedence relationship defined in the title of the class [H03H 9/6433](#).

However, documents disclosing also other embodiments exclusively falling under the scope of [H03H 9/6433+](#), except those embodiments concerning BALUN aspects, are also to be classified in [H03H 9/6433+](#) accordingly.

Completeness in search:

For completeness [H03H 9/1455](#), [H03H 9/64](#)+ have to be consulted. Further reorganisation is foreseen in future in order to avoid this supplementary work.

[H03H 9/6436](#)

Note:

For general remarks concerning SAW coupled resonator filters refer to the description of class [H03H 9/6433](#) in the Definition Editor.

In the present class ([H03H 9/6436](#)) are classified documents having only one acoustic track.

Some examples are to be found here below:

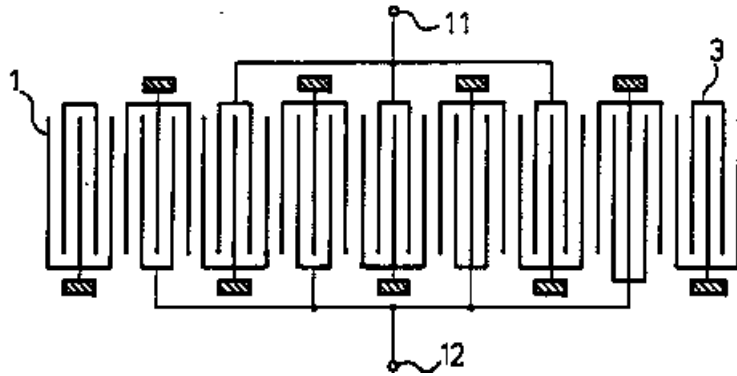


Fig. 1

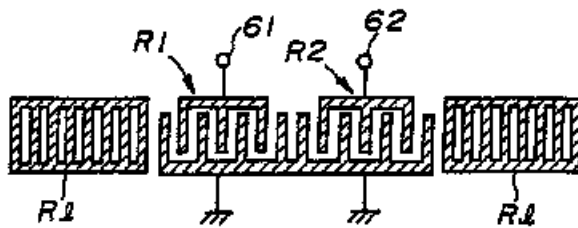


Fig. 2

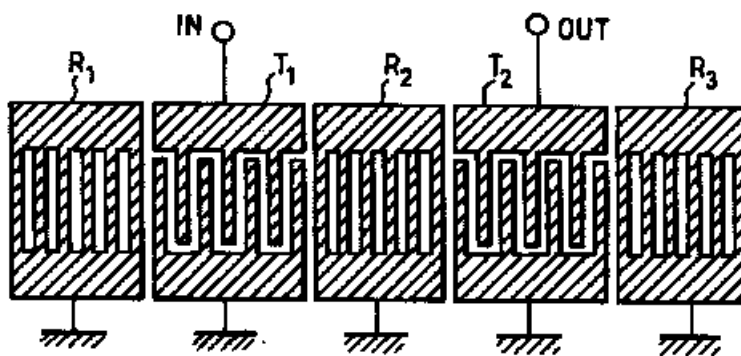


Fig. 3

Filtering structures like the one in Fig. 4 containing series connected resonators like (5a+4a+5b) and (7a+6a+7b) are also to be classified in [H03H 9/6436](#). The problem solved by the series resonators is most of the time one of improving the steepness of the transition band of the filter. For this purpose the

series resonators have to be designed with the resonance frequency having a value which coincides with the beginning of the transition band and the end of the 3dB portion of the pass band.

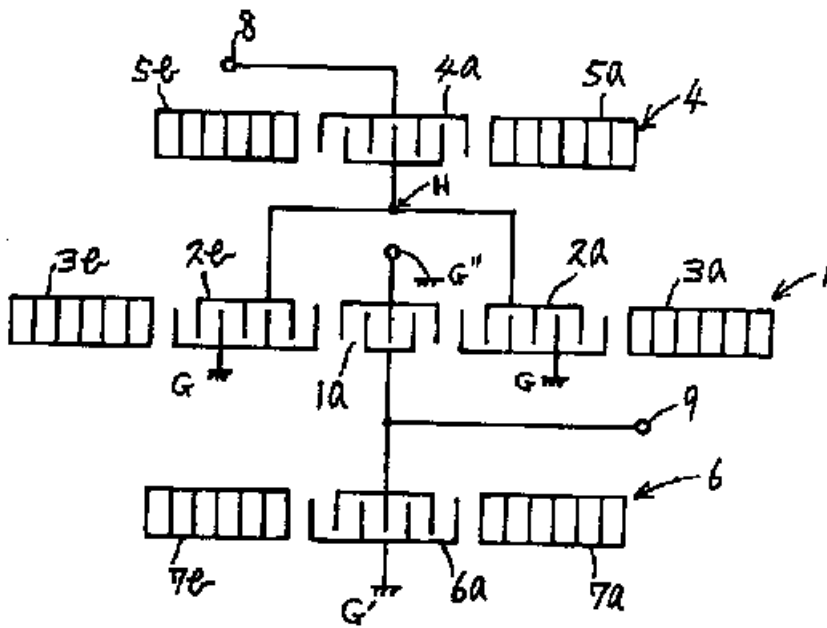


Fig. 4

[H03H 9/6443](#)

For general remarks concerning SAW coupled resonator filters refer to the description of class [H03H 9/6433](#) in the Definition Editor.

In the present class ([H03H 9/6443](#)) are classified documents disclosing two acoustic tracks which are acoustically coupled.

An example is to be found here below:

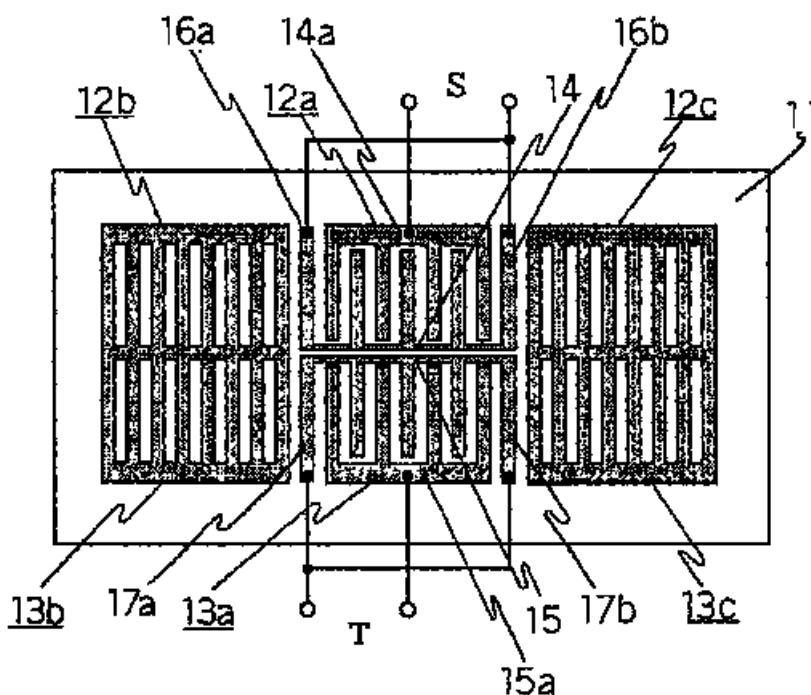


Fig. 1

[H03H 9/6446](#)

Note:

For general remarks concerning SAW coupled resonator filters refer to the description of class [H03H 9/6433](#) in the Definition Editor.

In the present class ([H03H 9/6446](#)) are classified documents having:

- a) two acoustic tracks performing the filtering; and
- b) the two tracks are acoustically coupled via floating multistrip lines (aka strip lines).

Some examples are to be found here below:

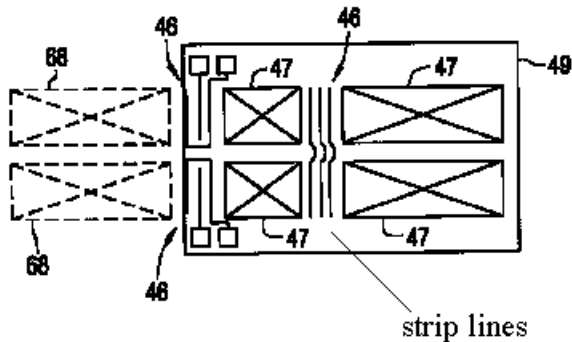


Fig. 1

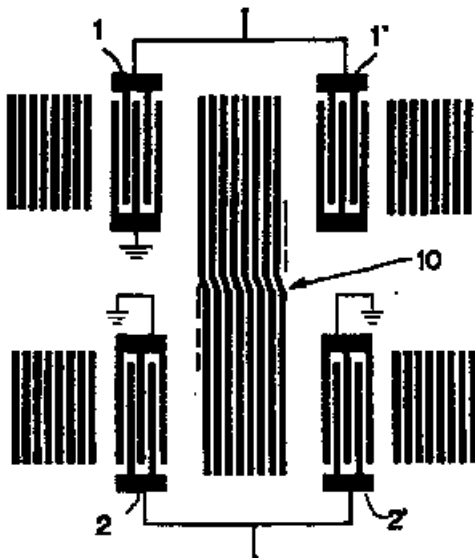


Fig. 2

[H03H 9/645](#)

For general remarks concerning SAW coupled resonator filters refer to the description of class [H03H 9/6433](#) in the Definition Editor.

In the present class ([H03H 9/645](#)) are classified documents having:

- a) two acoustic tracks performing the filtering; and
- b) the two tracks are acoustically coupled via grating reflector(s) overlapping both acoustic tracks.

Some examples are to be found here below:

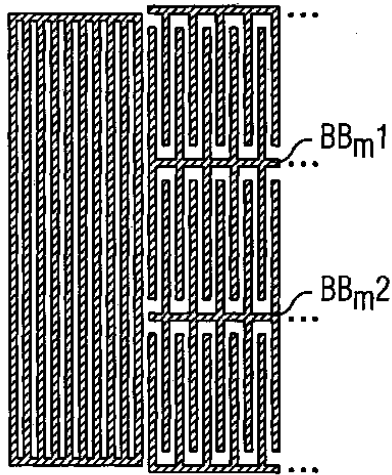
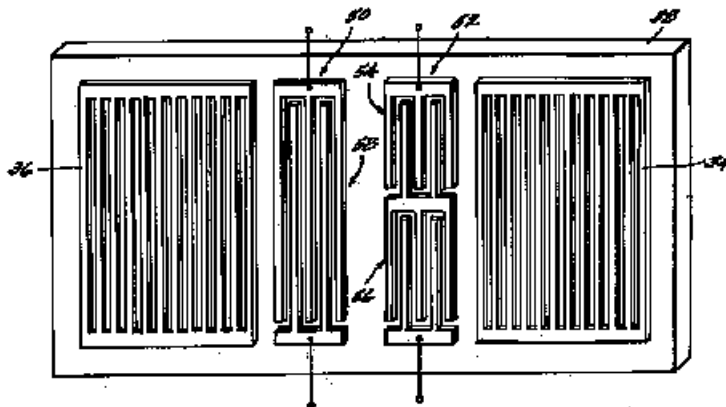


Fig. 1



[H03H 9/6453](#)

Note:

For general remarks concerning SAW coupled resonator filters refer to the description of class [H03H 9/6433](#) in the Definition Editor.

In the present class ([H03H 9/6453](#)) are classified documents having:

- a) two acoustic tracks performing the filtering; and
- b) the two tracks are acoustically coupled via at least one IDT overlapping both acoustic tracks.

Some examples are to be found here below:

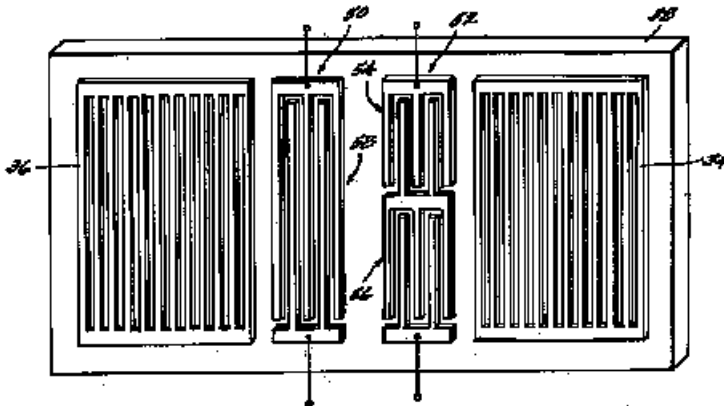


Fig. 1

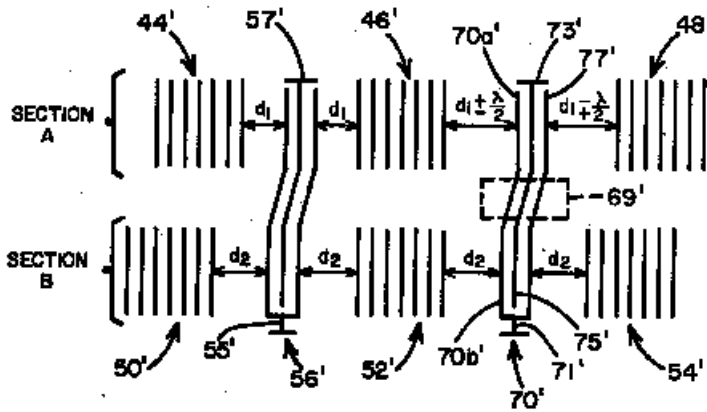


Fig. 2

[H03H 9/6459](#)

For general remarks concerning SAW coupled resonator filters refer to the description of class [H03H 9/6433](#) in the Definition Editor.

In the present class ([H03H 9/6459](#)) are classified documents having:

- a) two acoustic tracks performing the filtering; and
- b) the two tracks are electrically coupled via only one connecting electrode (transmission line).

Some examples are to be found here below:

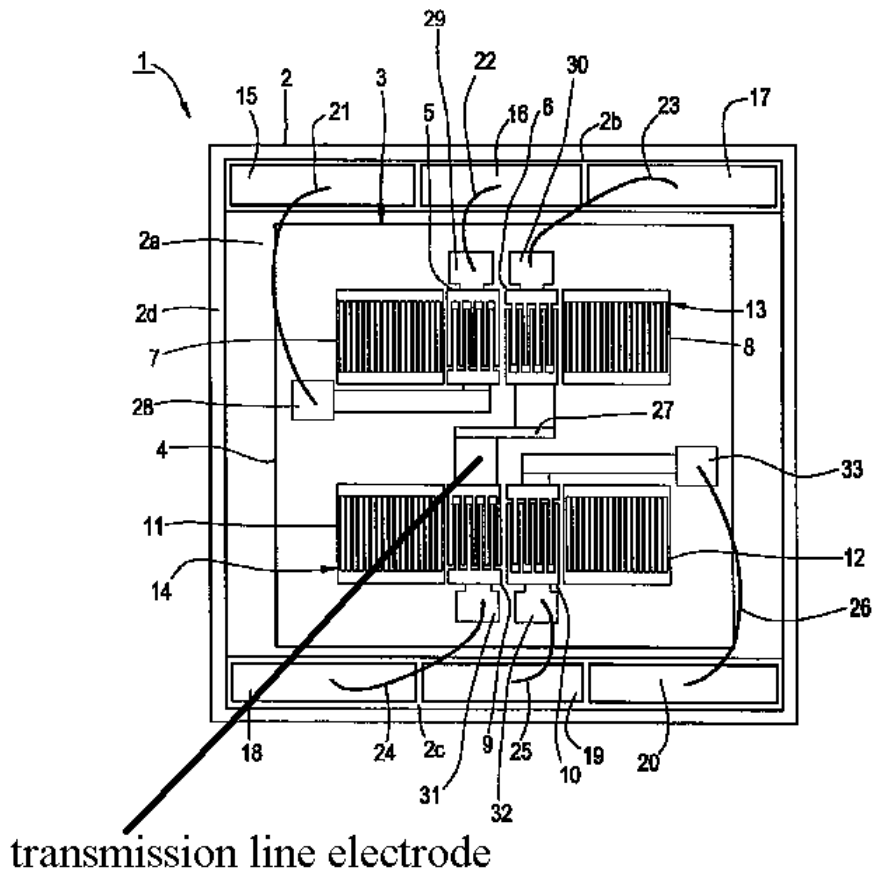


Fig. 1

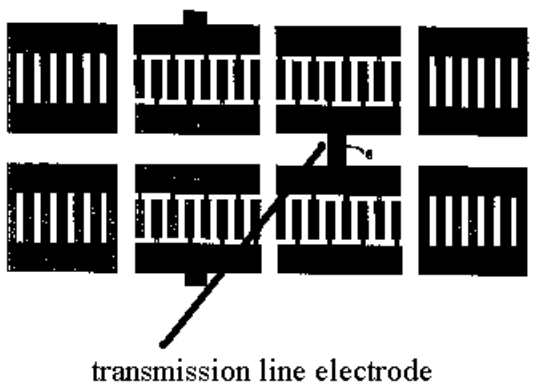


Fig. 2

NOTE

When the transmission line electrode is the whole bus bar electrode like in the figure below, [H03H 9/6463](#) takes precedence.

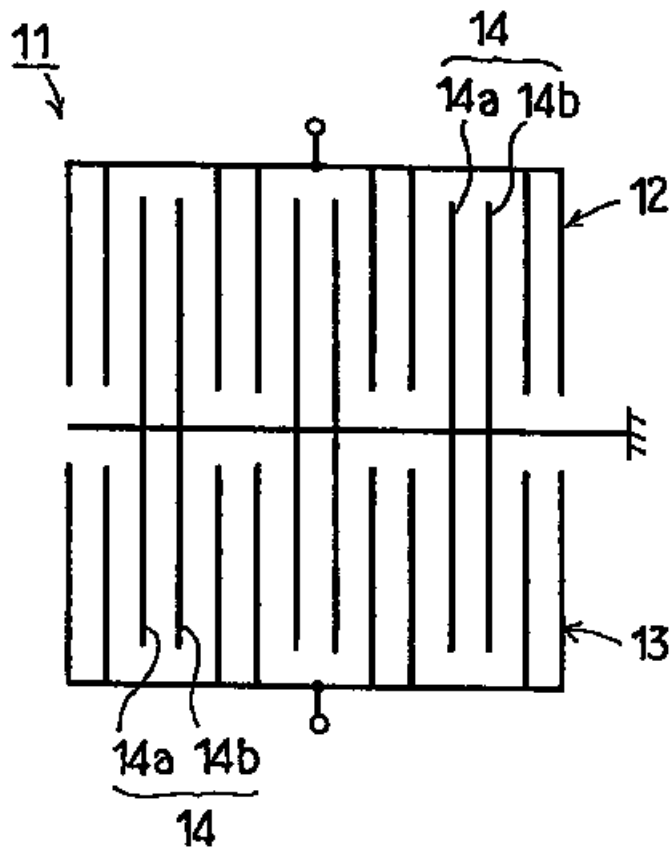


Fig. 3

[H03H 9/6463](#)

For general remarks concerning SAW coupled resonator filters refer to the description of class [H03H 9/6433](#) in the Definition Editor.

In the present class ([H03H 9/6463](#)) are classified documents having:

- a) two acoustic tracks performing the filtering; and
- b) the two tracks are electrically coupled via a whole bus bar used for the two comb electrodes adjacently placed in the acoustic tracks.

Some examples are to be found here below:

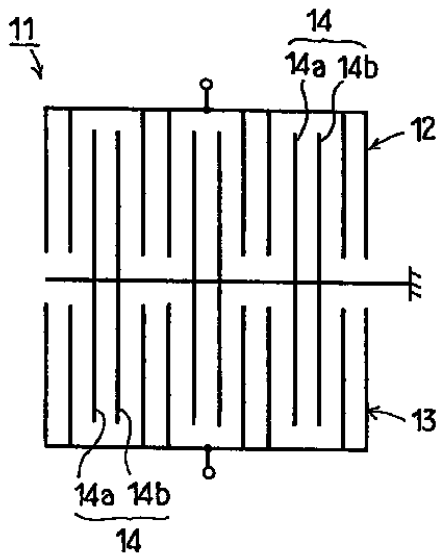


Fig. 1

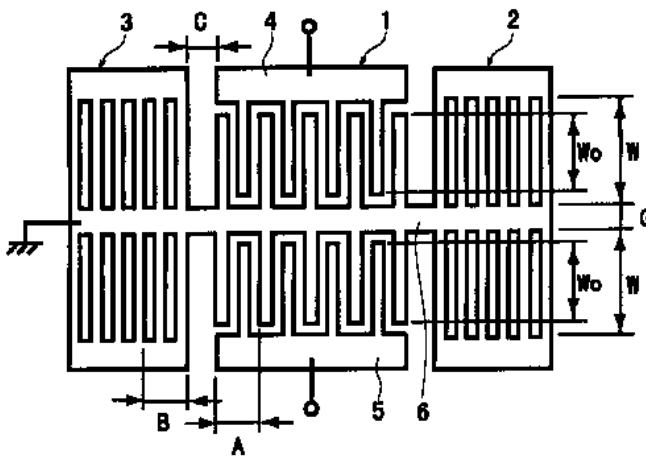


Fig. 2

[H03H 9/6466](#)

For general remarks concerning SAW coupled resonator filters refer to the description of class [H03H 9/6433](#) in the Definition Editor.

In the present class ([H03H 9/6466](#)) are classified documents having:

- a) two acoustic tracks performing the filtering;
- b) each acoustic track comprises at least 3 IDTs; and
- c) the two tracks are electrically coupled via one transmission line electrode which can be split and which connects one IDT from the upper track with at least one IDT from the lower track.

Some examples are to be found here below:

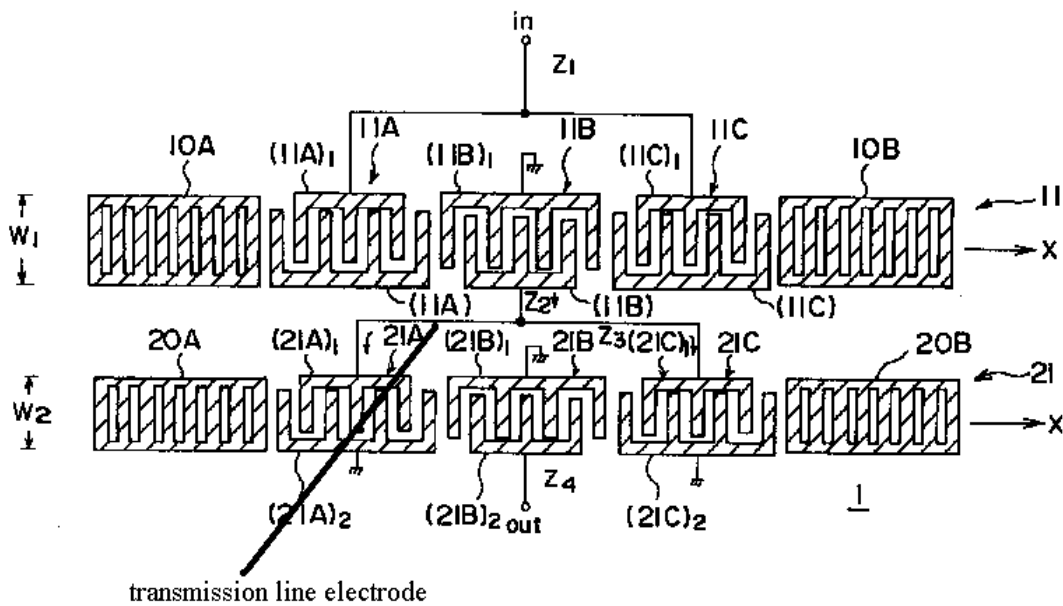


Fig. 1

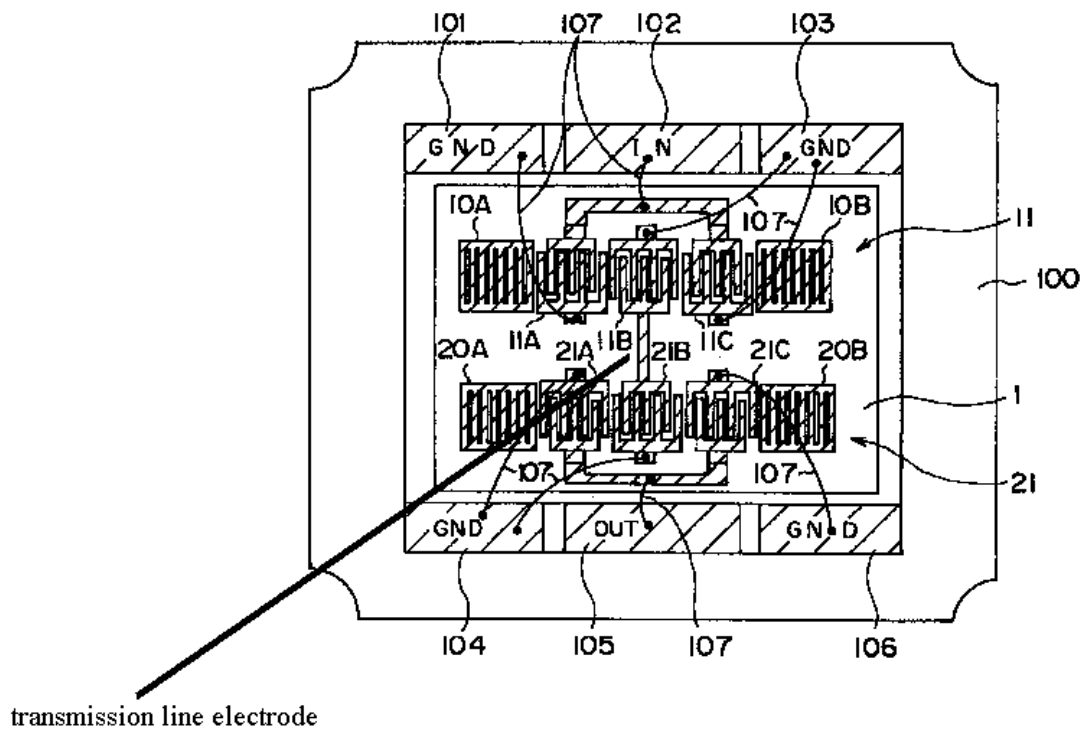


Fig. 2

[H03H 9/6469](#)

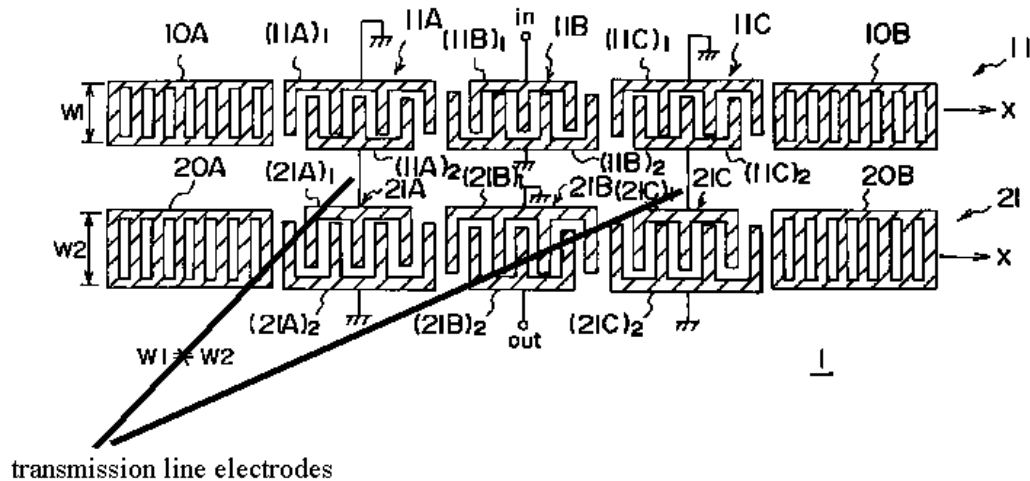
For general remarks concerning SAW coupled resonator filters refer to the description of class [H03H 9/6433](#) in the Definition Editor.

In the present class ([H03H 9/6469](#)) are classified documents having:

- a) two acoustic tracks performing the filtering; and

b) the two tracks are electrically coupled via two, electrically separated transmission line electrodes which connect two pairs of IDTs, each pair of IDT having an IDT in the upper track and another in the lower one.

An example is to be found here below:



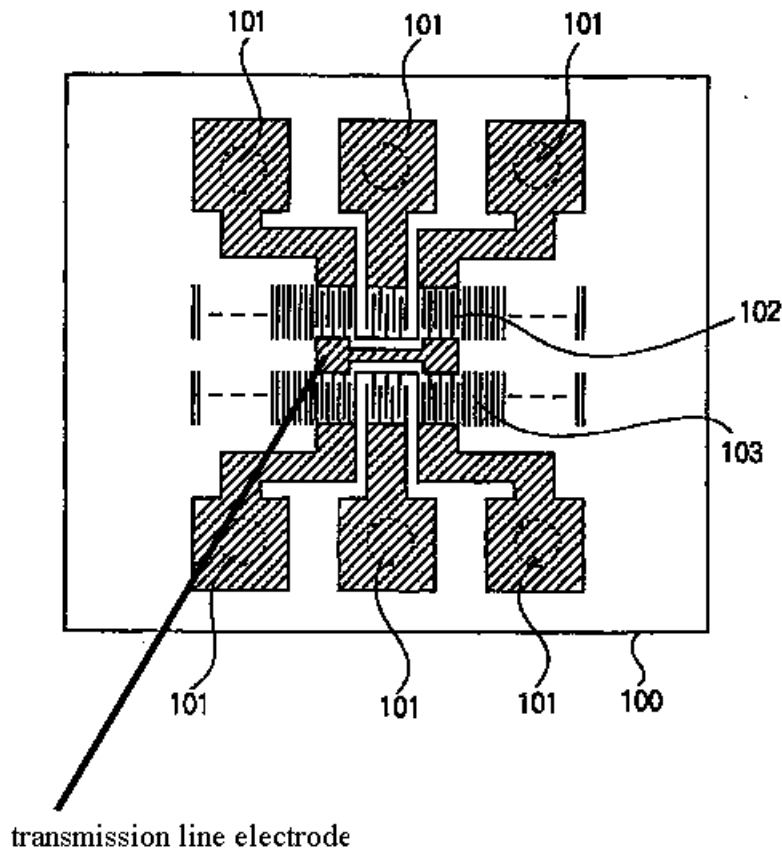
[H03H 9/6473](#)

For general remarks concerning SAW coupled resonator filters refer to the description of class [H03H 9/6433](#) in the Definition Editor.

In the present class ([H03H 9/6473](#)) are classified documents having:

- a) two acoustic tracks performing the filtering; and
- b) the two tracks are electrically coupled via two electrically interconnected transmission line electrodes which connect two pairs of IDTs, each pair of IDT having an IDT in the upper track and another in the lower one.

An example is to be found here below:



[H03H 9/6476](#)

For general remarks concerning SAW coupled resonator filters refer to the description of class [H03H 9/6433](#) in the Definition Editor.

In the present class ([H03H 9/6476](#)) are classified documents having:

- a) two acoustic tracks performing the filtering;
- b) the two tracks are electrically coupled via two transmission line electrodes; and
- c) the two tracks are electrically connected in parallel (i.e. the two transmission line electrodes are connected to the input and to the output of the filter respectively).
- d) the two acoustic tracks separated by at least one set of grating reflectors specific to the delimitation of the two resonant cavities.

Some examples are to be found here below:

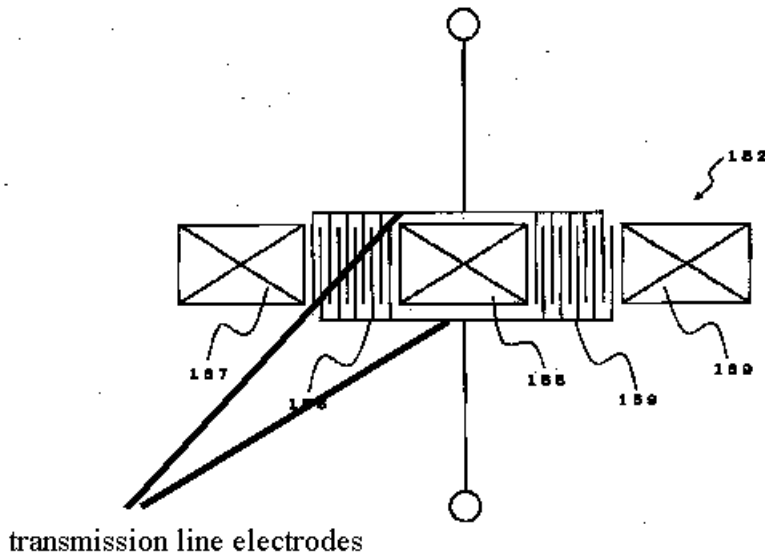


Fig. 1

In Fig. 1 the reflector 155 is common to the two resonant cavities.

In Fig. 2 the adjacent reflectors producing the separation of the two resonant cavities do not have electrical contact unlike to the structure in Fig. 1 where the reflector is common (reflectors of the two tracks are electrically connected).

It can be seen that the aspects concerning the two series resonators are not taken into account for the purpose of this subclass. The problem solved by the series resonators is most of the time one of improving the steepness of the transition band of the filter. For this purpose the series resonators have to be designed with the resonance frequency having a value which coincides with the beginning of the transition band and the end of the 3dB portion of the pass band.

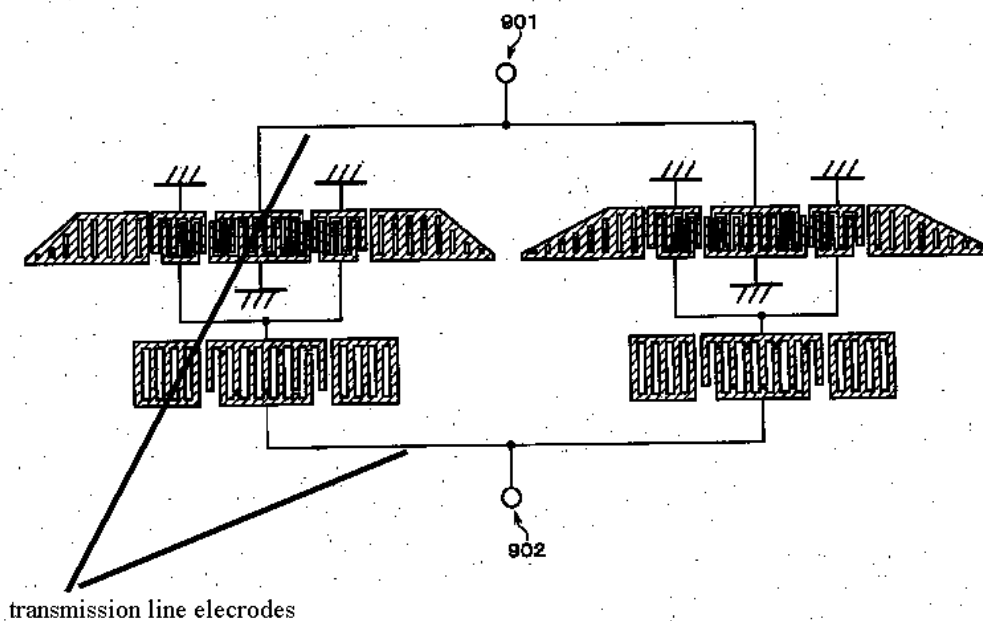


Fig. 2

The following filtering structures are also to be found in the present class [H03H 9/6476](#).

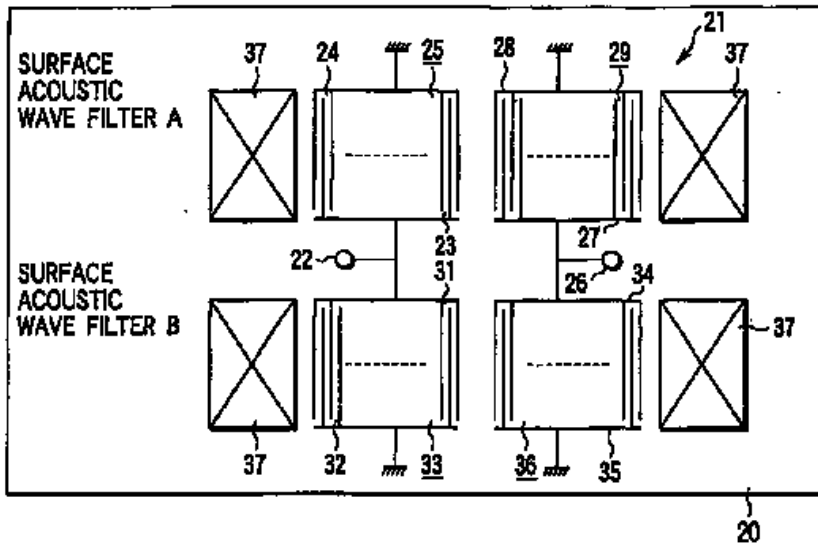


Fig. 3

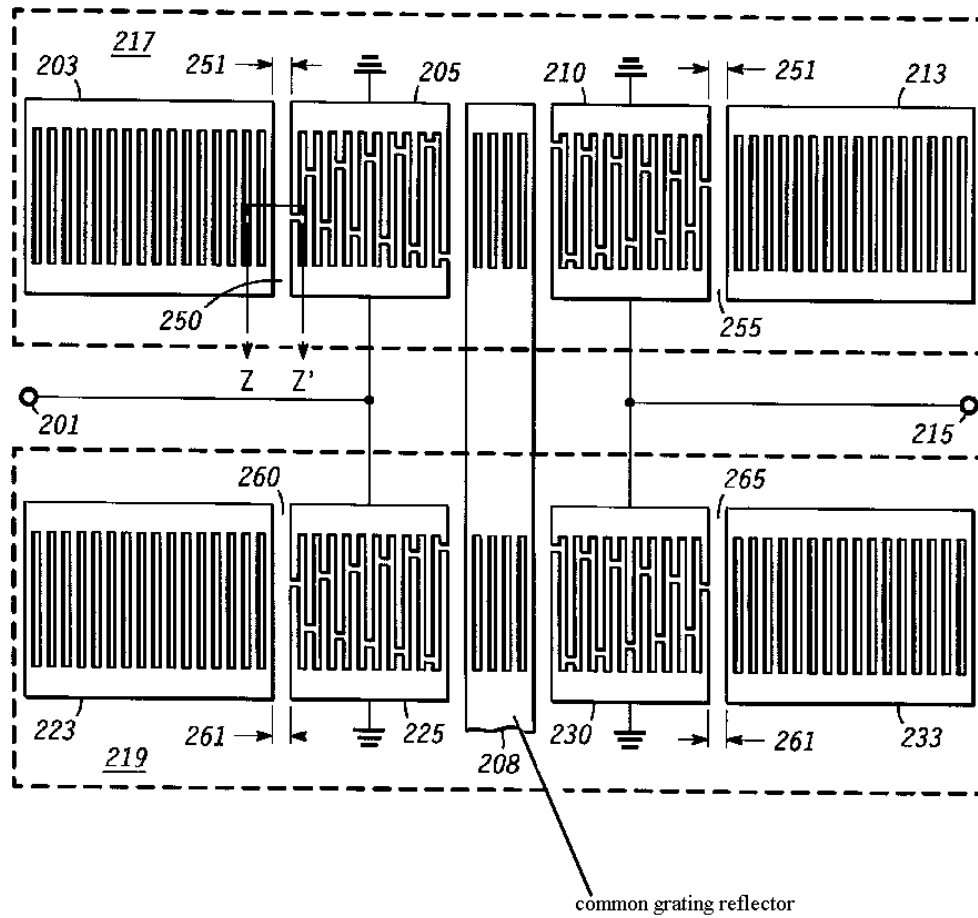


Fig. 4

In Fig. 4 the common grating reflector also needs as technical feature a special entry in [H03H 9/645](#).

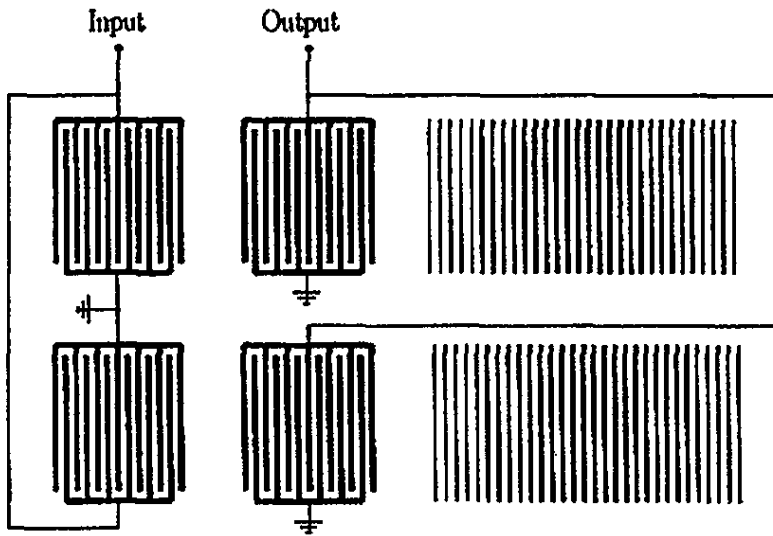


Fig. 5

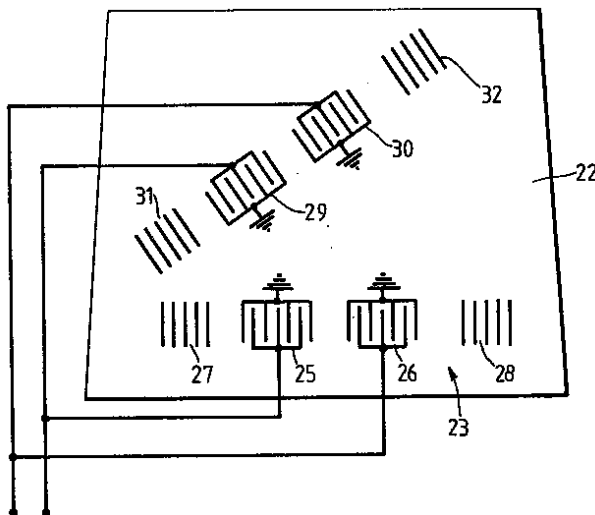


Fig. 6

[H03H 9/6483](#)

Disclosures of ladder structures (currently classified in /KW (i.e. - 09saw coupled resonator ladder filter ([H03H](#)))) are candidates for the present class if and only if the disclosed embodiments deal with overcoming certain prejudices in the design/production of SAW ladder filters (e.g. adjusting distances between IDTs and/or reflectors, introduction of dummy electrodes, performing cut-outs (holes) in the bus bars or electrodes, etc.).

Otherwise, the simple mention of the possibility of applying a certain structure to the design/production of a ladder filter does not qualify a disclosure to be classified in [H03H 9/6483](#).

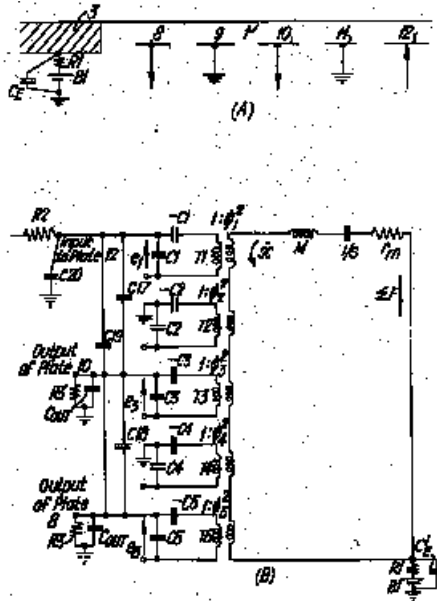
The same applies for lattice structures in conjunction with the corresponding /KW (09saw coupled resonator lattice filter ([H03H](#))).

Thales application FA624251 (WO2004/006432) gives a good overview of the related problem.

[H03H 9/70](#)

As SAW and BAW duplexers/duplexers are to be classified in the corresponding subclasses of the present one, in [H03H 9/70](#) one should only classify networks for connecting several sources or loads, working on different frequencies or frequency bands, to a common load or source disclosing

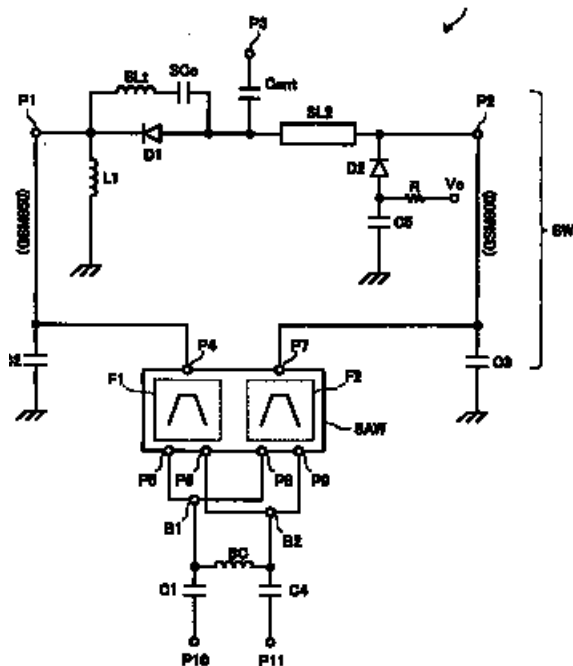
electrostatic driven constructive components:



US3686593

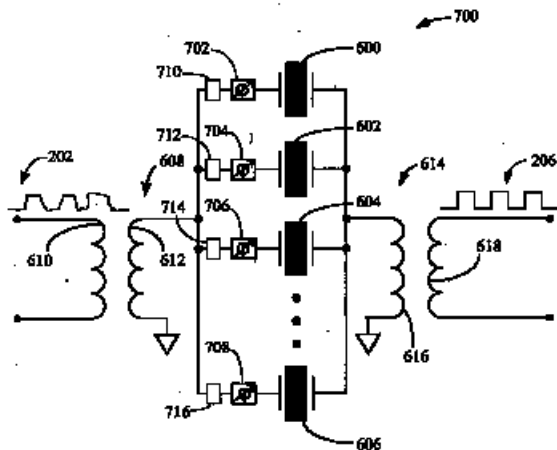
MEMS duplexers (at the moment of printing the present paper no MEMS duplexers are classified in [H03H 9/70](#));

duplexers combining passive or active elements with SAW or BAW devices:



EP1833172 - the present document is also classified in [H03H 7/00](#)

non-specific duplexers (the acoustic type of the basic element is not [clearly] specified):



US2004212448

other "exotic" (mostly very old) documents which subscribe to the criterion enounced by the class

However:

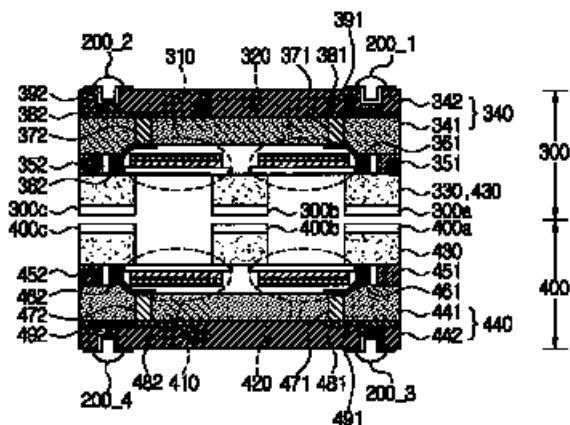
- for SAW/BAW spectrum analysers see [G01R 23/17](#) (e.g FR2044148; GB2105939)
- frequency modulators are (also) to be found/classified in [H03C 1/46](#), depending on how much the SAW/BAW aspects are disclosed;
- correlators and convolvers in [G06G 7/195](#), except when there is too much focus on the IDTs and also an entry in [H03H](#) could be useful;
- compressors (Reflective Array or Pulse compressors) are in [H03H 9/40](#) (for non-SAW devices) or [H03H 9/44](#) (for SAW).

[H03H 9/703](#)

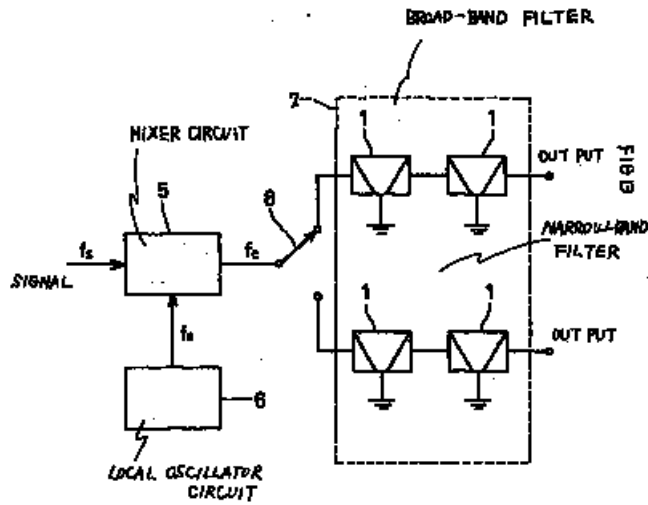
When the document discloses details about the basic constructive element as being a BAW, FBAR, SBAR or the like device, without however disclosing a duplexer, the present class should be allocated.

Examples:

dual or multiband filters:

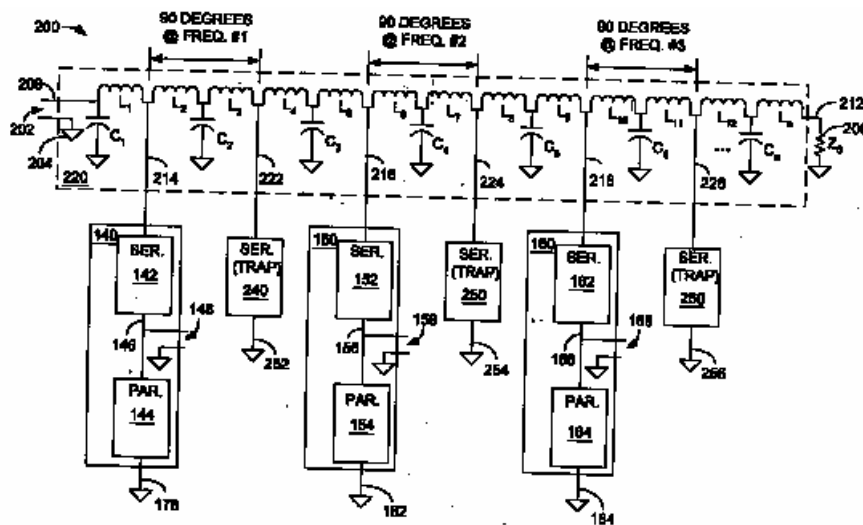


US2007/182510

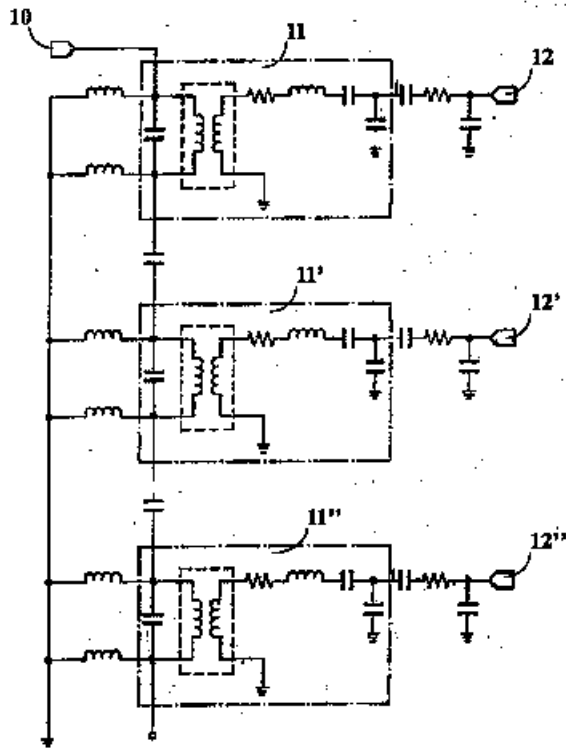


EP1045517

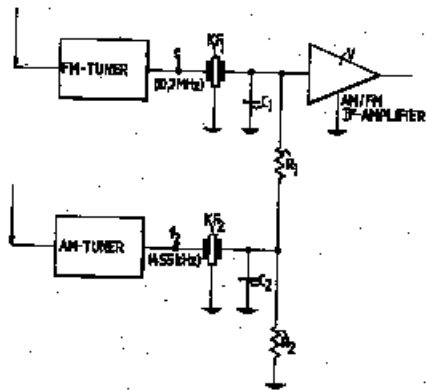
BAW/FBAR frequency multiplexers:



EP1361658



US2002/109430



US4227156

Synonyms and Keywords

In patent documents, the following abbreviations are often used:

Aperture	overlap, acoustic w beam-width
Blank	wafer
Diamond	dlc, (diamond w like w carbon)
Finger	electrode
Boundary/interface waves	IAW, QSH, pseudo saw/wave/shear, Stoneley, GBAW, (guided baw/bulk waves), hvpsaw, lpsaw, psaw
Resin	plastic, epoxy
SAW	Surface Acoustic Wave
BAW	Bulk Acoustic Wave
TFR	Thin Film Resonator
SBAR (SCF)	Stack Bulk Acoustic Resonator
SH	Shear Horizontal (waves)
SSBK	Surface Skimming Bulk (waves)
BGS	Bleustein-Guliaev-Shimizu (waves)
DMS	Double Mode SAW
Duty ratio	metallization w ratio, pitch to width ratio, occupancy ratio, mark to period ratio, line to width ratio
SBAW, SSBW	shallow w bulk w acoustic w waves
STW	surface transverse waves
RF ID tags	RF Identification tags
SPUDT	single phase unidirectional transducer
GBAW	guided BAW

H03H 9/205

having multiple resonators (crystal tuning forks [H03H 9/21](#))

References

Informative references

Attention is drawn to the following places, which may be of interest for search:

Filters comprising resonators of piezoelectric or electrostrictive material	H03H 9/54
---	---------------------------

H03H 11/00

Networks using active elements

Definition statement

This place covers:

Gyrators, time-delay networks, phase-shifting networks, impedance matching networks, balanced/unbalanced networks, attenuators and frequency selective networks, such as filters, splitters or duplexers -- all mainly built with active, electrical elements, such as OpAmp, transistors, operational

Definition statement

transconductances, Gm-C elements, simulation of reactances, such as active inductors, negative resistances, capacitance multipliers.

References

Limiting references

This place does not cover:

Integrators per se	G06F 7/00
Audio equalizers	H03G 5/00
Impedance matching for high speed lines	H04L 25/0278

Informative references

Attention is drawn to the following places, which may be of interest for search:

Current converters CCI+, nullor, nulor, rotator	H03H 11/02
Log-domain filters	H03H 11/0405
Controller resistors	H03H 11/24 and subgroups
Circulators, isolators with active elements	H03H 11/38
Simulation of reactances with applications in amplifiers	H03F 1/56 and subgroups
Simulating reactances in tuning context	H03J 3/18 and subgroups
Time delay networks, esp. built with boolean ports or digital registers	H03K 5/13 and subgroups
Impedance matching having switching elements or registers	H03K19/17545 , H03K 19/01825 and H03K 19/018557 and subgroups

Special rules of classification

Reorganization in [H03H 11/0416](#) - [H03H 11/1295](#) pending (a relatively large numbers of new groups can be expected as resulting from this reorganization)

Synonyms and Keywords

In patent documents, the following abbreviations are often used:

Active inductor	inductor simulation/emulation/synthesis; inductorless
-----------------	---

H03H 15/00

Transversal filters (electromechanical filters [H03H 9/46](#), [H03H 9/70](#))

Definition statement

This place covers:

Any sampled-data filters in the sense of those filters wherein the input signal is sampled at discrete-time points, so that it consists of discrete amplitude values which are not quantized.

In particular: transversal (FIR) SAMPLED-DATA filters

In particular: recursive (IIR) SAMPLED-DATA (e.g.:XP10728148)

Some general examples:

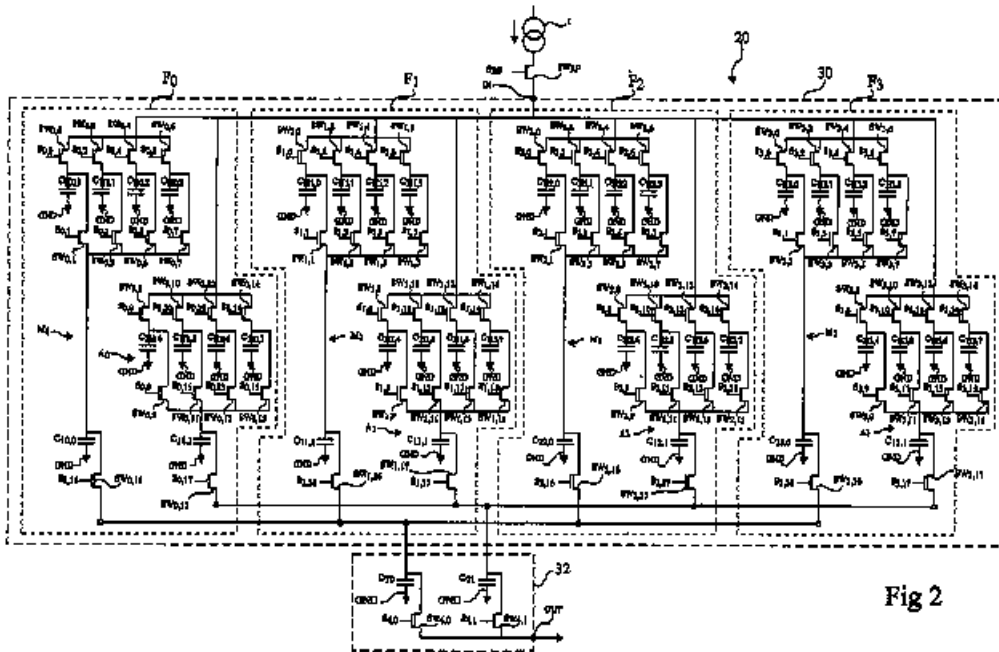
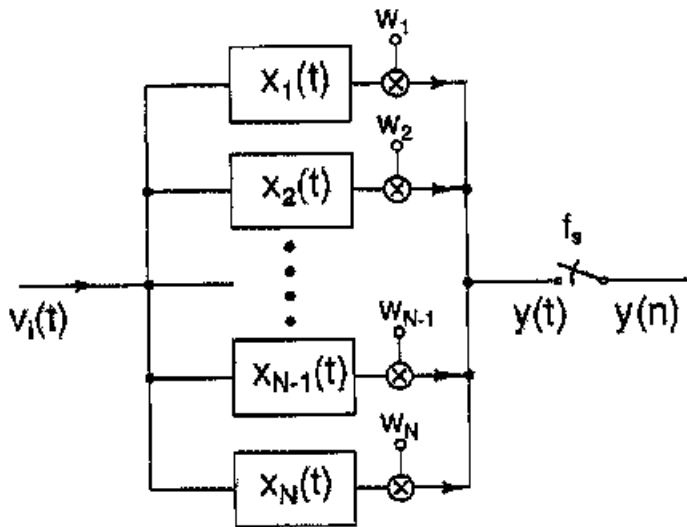


Fig 2

Definition statement

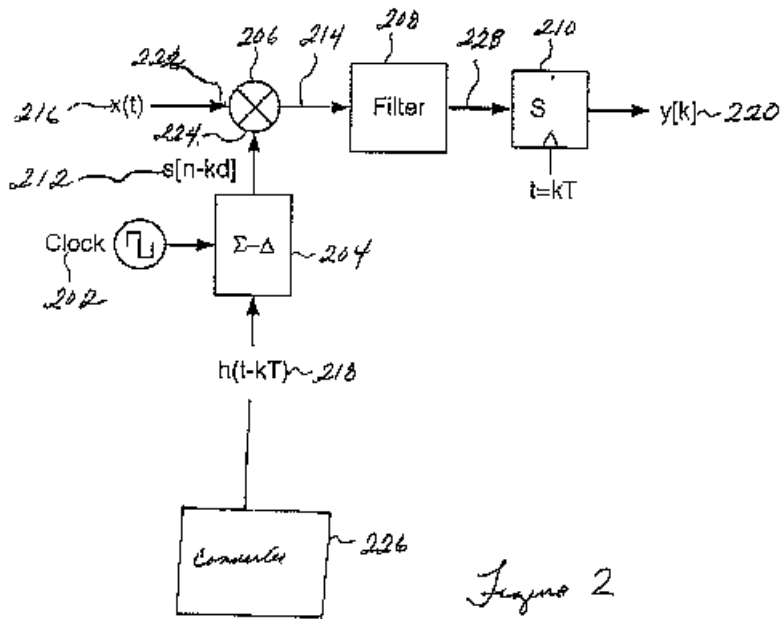
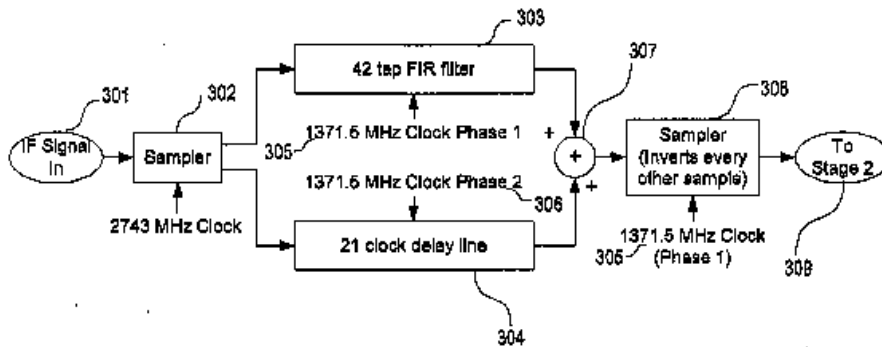


Figure 2

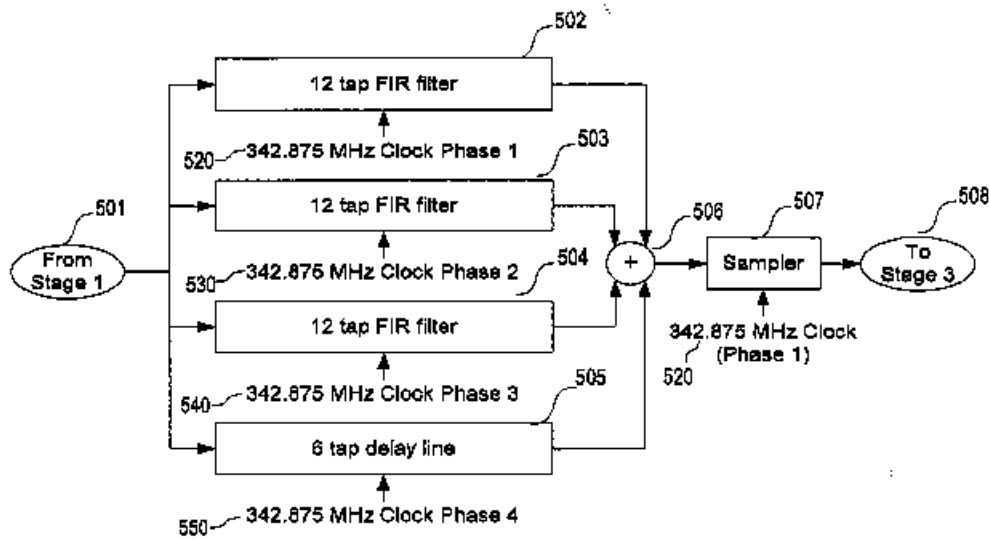
US2004071244

The output response 220 can match many filter responses (e.g. lowpass, bandpass). Thus, the control signal 212 received by the commutating modulator 206 may include lowpass or bandpass characteristic. The filter responses preferably depend on the impulse response or correlation function encoded within the sigma-delta sequence or the control signal 212

With sample rate conversion:

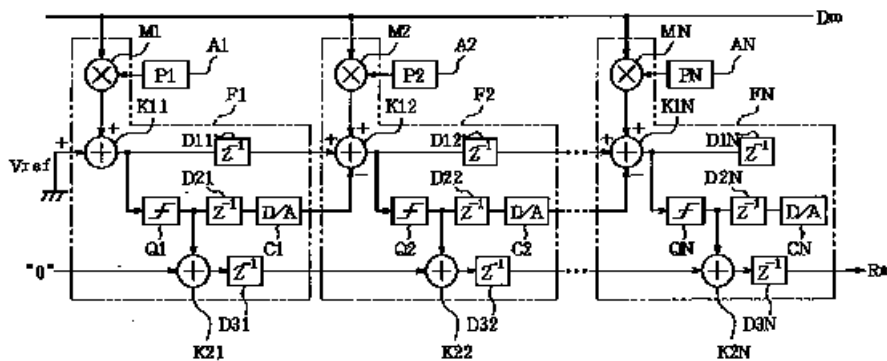


US2006195883



US2006195883: decimate-by-4 polyphase implementation

Implementing a matched filter:



US6983011

Filter bank implementation:

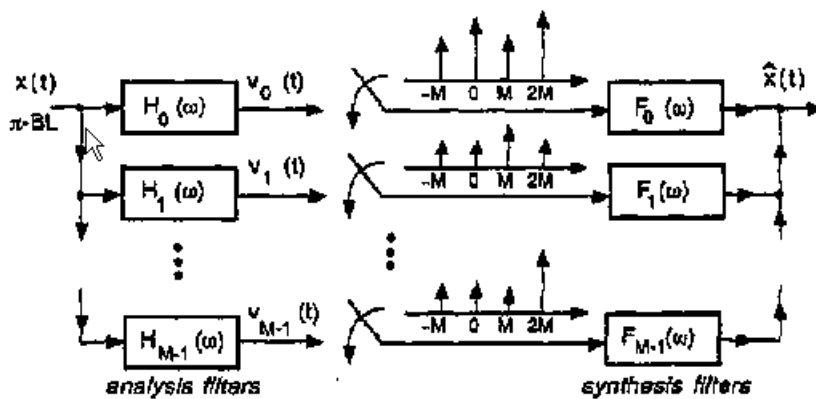


Figure 1. A continuous-time M -band filter bank.

XP010580981

References

Limiting references

This place does not cover:

Combinations of digital and sample data filters	H03H 17/0291
---	------------------------------

Glossary of terms

In this place, the following terms or expressions are used with the meaning indicated:

Transversal filter	term used in the past corresponding to what is now commonly understood in the digital domain as Finite Impulse Response (FIR) filters (more commonly, non-recursive filter structures)
Sampled data filter	filters wherein the input signal is sampled at discrete-time points, so that it consists of discrete amplitude values which are not quantized, including recursive and non-recursive structures.

Synonyms and Keywords

In patent documents, the following abbreviations are often used:

CCD	charge-coupled device
FIR	finite input response
IIR	infinite input response

H03H 15/02

using analogue shift registers

Definition statement

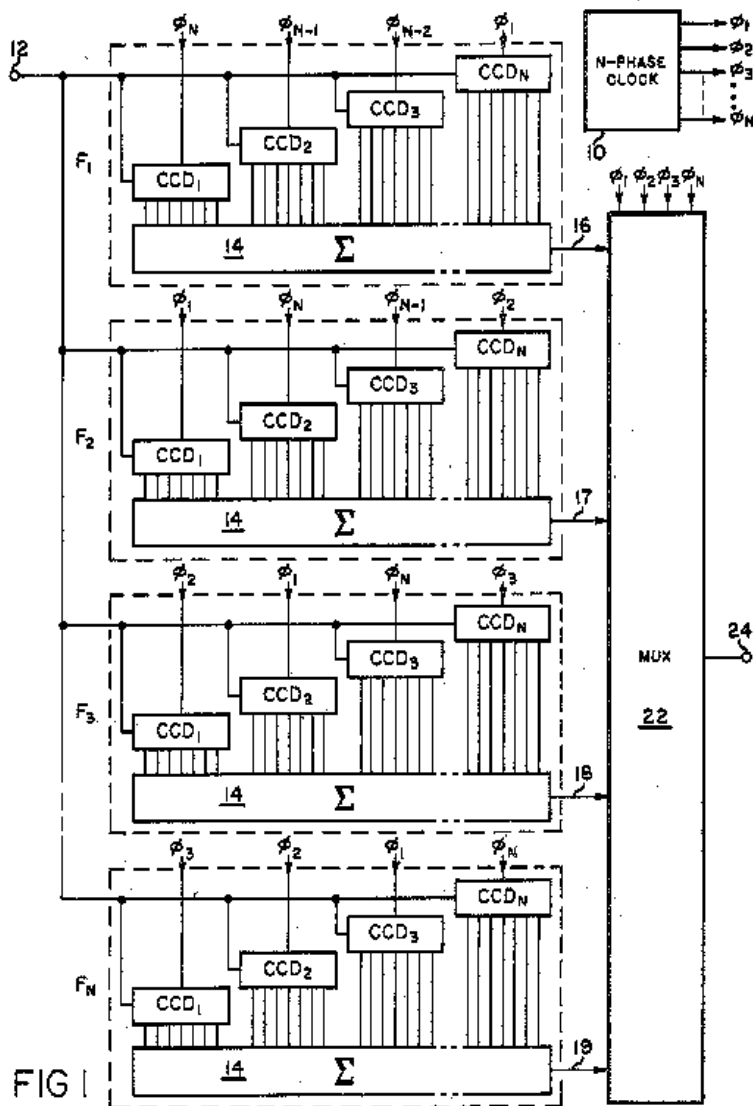
This place covers:

The group contains documents disclosing details of the analog shift registers.

(analog shift registers are in [G11C 27/04](#)).

Examples include sampled-data filters comprising charge-coupled devices (a CCD is a device for the movement of electrical charge, usually from within the device to an area where the charge can be manipulated, for example conversion into a digital value. This is achieved by "shifting" the signals

between stages within the device one at a time. CCDs move charge between capacitive bins in the device, with the shift allowing for the transfer of charge between bins):



US4264983

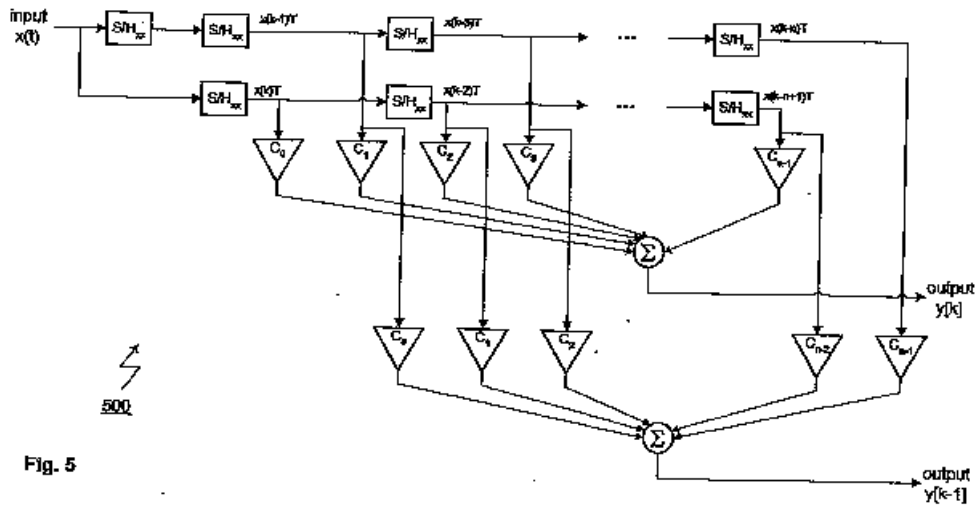
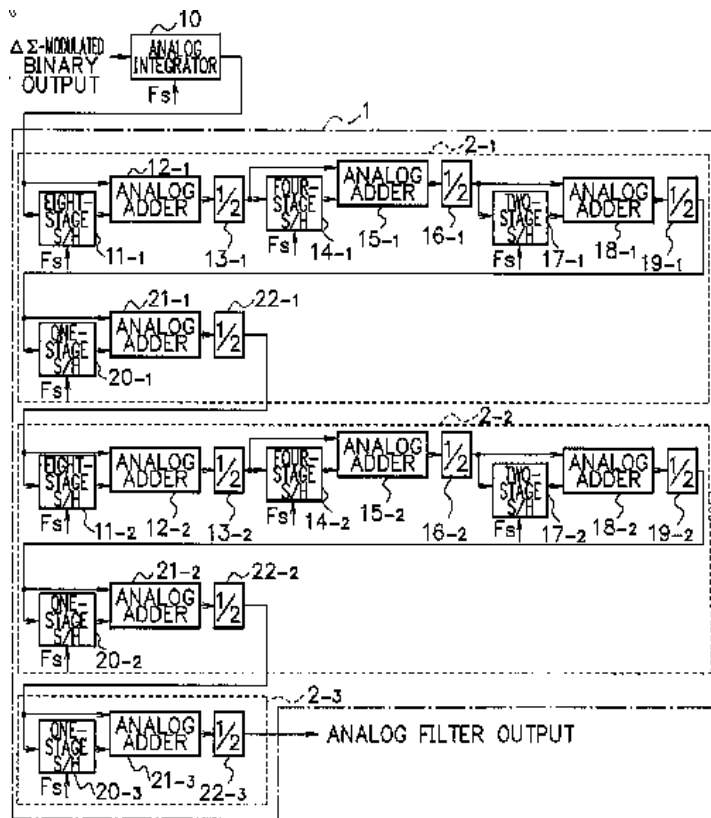


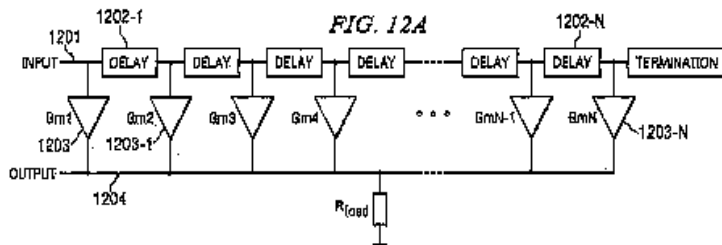
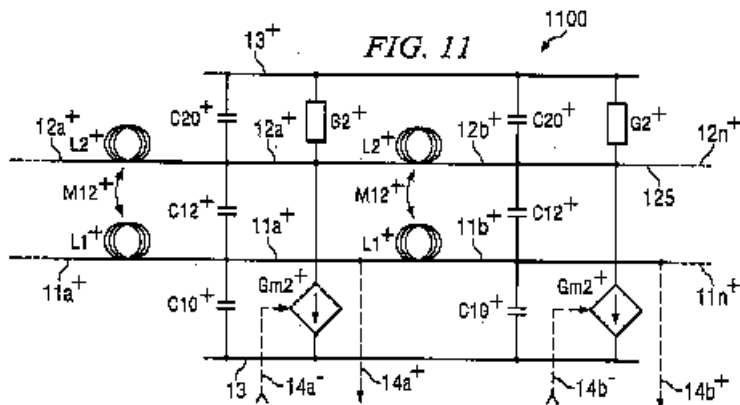
Fig. 5

US2002062329



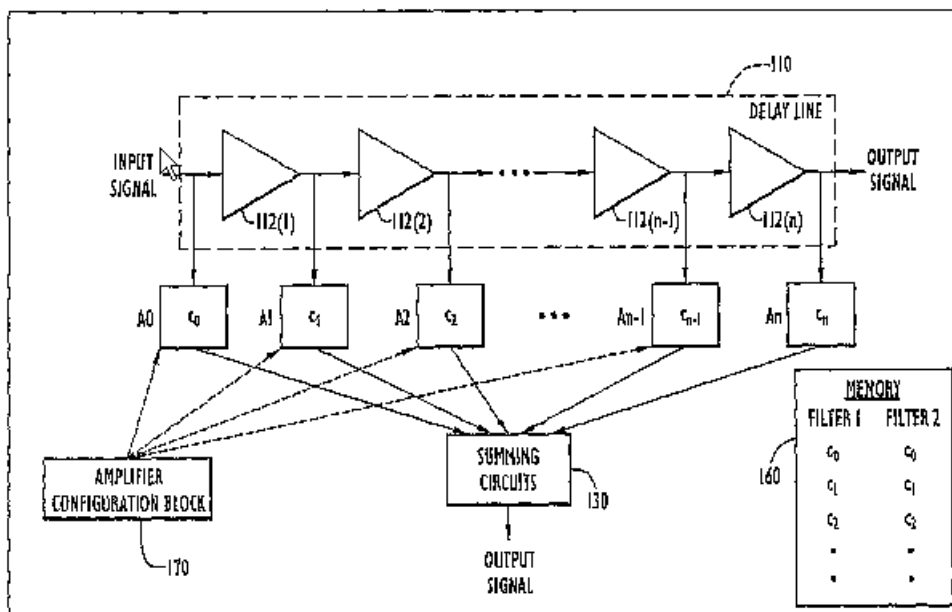
US2003014460

input = delta/sigma modulated signals



US2005033792

Delay line implemented as transmission line



WO2006119065

An input continuous time signal is successively delayed by a plurality of delay elements to produce a plurality of delayed signals.. A corresponding coefficient is applied to some or all of the plurality of delayed signals to produce a plurality of weighted signals., which are then combined

The filter is programmable: the coefficients are selectable

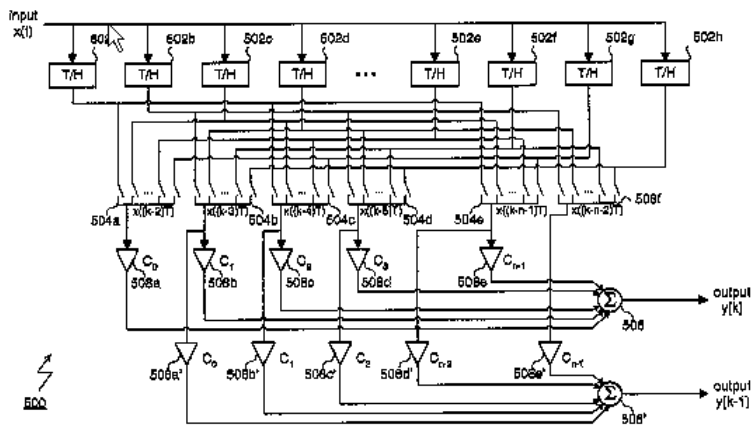
H03H 15/023

{with parallel-input configuration}

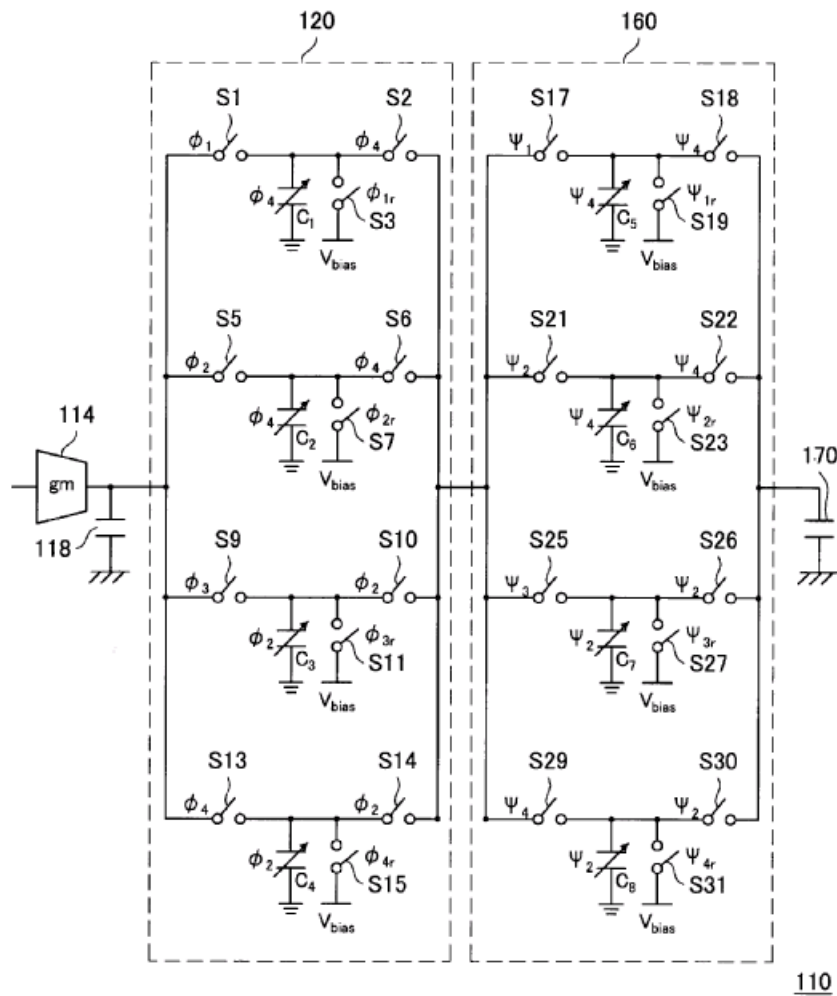
Definition statement

This place covers:

The group contains sampled-data filters wherein the input is presented in parallel to the memory elements:



US6529926



WO2008032635

H03H 17/00

Networks using digital techniques

Definition statement

This place covers:

Time-delay networks, phase-shifting networks, digital impedance matching networks and frequency selective networks, such as digital filters or sample rate converters

References

Limiting references

This place does not cover:

Filters for pulse compression	G01S 7/2806 , G01S 13/282
Waveform generators	G06F 1/02 , H03K 4/00 , G06F 1/022
Spatial filters in general	G06T , H04N

Informative references

Attention is drawn to the following places, which may be of interest for search:

Details of adding and subtracting	G06F 7/50
Details of sum of products	G06F 7/5443
Mathematical transformations, e.g. Fourier transform	G06F 17/14
Computation of correlations	G06F 17/15
Function evaluation by approximation methods, e.g. inter or extrapolation	G06F 17/17
Computation of correlation or computation integrals	G06G 7/1928
Data compression by 'thinning'	H03M 7/30
Demodulation by means of matched filters	H04B 1/7093
Correction of synchronization errors by interpolation of received data signals	H04L 7/0029

Special rules of classification

Filters specially adapted for image processing are, in principle, not to be classified in the group. This rule specifically applies to subgroup [H03H 17/0202](#) (multidimensional filters)

Glossary of terms

In this place, the following terms or expressions are used with the meaning indicated:

Cepstrum	result of taking the Fourier transform of the log spectrum as if it were a signal. Its name was derived by reversing the first four letters of "spectrum"
Decimation	reduction of the sampling rate by an integer number
Delta modulation	any kind kind of (noise sampling) modulator (e.g. sigma/delta)
Hogenauer filter	simple CIC filter structure
Interpolation	increase of the sampling rate by an integer number
Quefreny	refers to operations on cepstra (plural of cepstrum)
Limit cycles	in IIR filters, undesired generation of oscillating output signal in response to a constant or zero-level input caused by quantization
Rational or fractional sample rate conversion	conversion of the sampling rate by a rational number
Warped filter	obtained by replacing the unit delays of a conventional FIR with first-order all-pass filters); the resulting filter has an infinite impulse response (warping makes the filter non-linear)

Synonyms and Keywords

In patent documents, the following abbreviations are often used:

CIC	cascaded integrated comb
CSD	canonic signed digit
FD	fractional delay
FIR	finite input response
IFIR	interpolated FIR

IIR	infinite impulse response
MIMO	multiple input – multiple output
MISO	multiple input – single output
PTV	periodically time varying
QMF	quadrature mirror filter
SRC	sample rate conversion
S/H circuit	sample/hold circuit

H03H 17/0009

{Time-delay networks}

Definition statement

This place covers:

integer and variable digital delay circuits and any exotic delay circuits.

Also fractional delay lines (DL) with DSP implemented structures ion (i.e. no "interesting" filter structure).

group [H03H 17/08](#) (networks for phase shifting) should be also consulted in combination.

H03H 17/0018

{Realizing a fractional delay}

Definition statement

This place covers:

Fractional Delay (FD) filters (or Fractional Sample Delay filters) which cannot be characterized as FIR FD or IIR FD.

Documents are classified in this group and subgroups when they disclose pure FD filters, i.e. without application to src (from now on src = sample rate conversion). If the document describes an src using FD filters classify as convenient in [H03H 17/0416](#) and subgroups, [H03H 17/0621](#) and subgroups.

H03H 17/0027

{by means of a non-recursive filter}

Definition statement

This place covers:

FIR FD filters like this one:



Fig.1. General structure for fractional delay d

XP010376249

Definition statement

FD filters are commonly implemented as (Lagrange) interpolators:

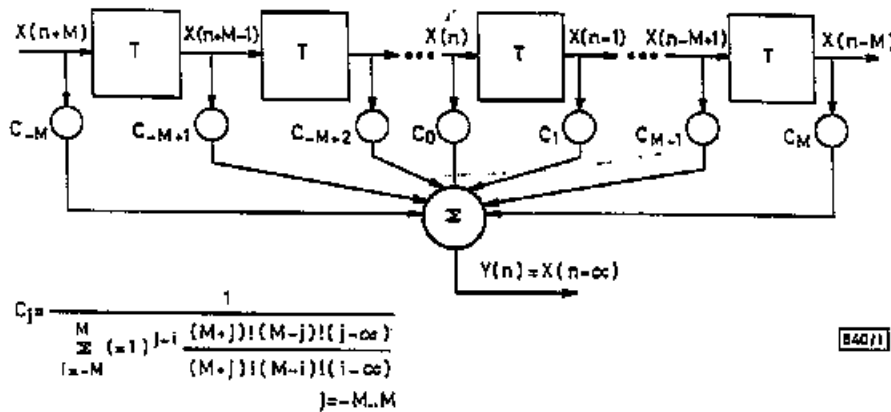


Fig. 1 Programmable fractional sample delay filter with Lagrange interpolation

XP000106903

The Lagrange interpolators can be implemented by a Farrow structure:

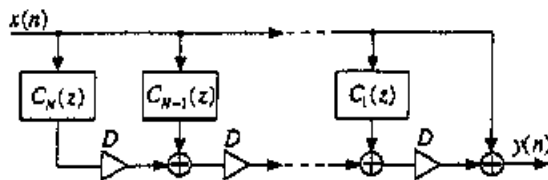


Fig. 2 Farrow structure for Nth-order Lagrange interpolation.

XP000583239

H03H 17/0036

{by means of a recursive filter}

Definition statement

This place covers:

IIR FD filters. They mostly implement Thiran method (recursive counterpart of Lagrange interpolation):

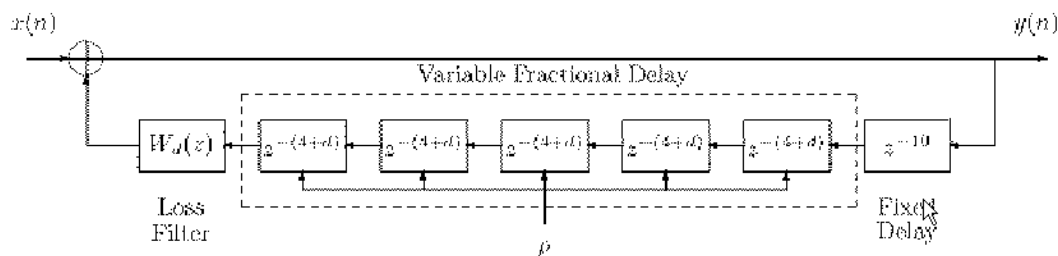


Fig. 5. Simple digital waveguide string as implemented with variable Thiran fractional delay filters in the feedback path.

XP010930616

Thiran FD

H03H 17/0266

{Filter banks}

Definition statement

This place covers:

filter banks (FB) (including sub-band filtering, when not specific for image processing) not characterized by a FIR / IIR implementation.

The group includes FBs implemented with "multirate" techniques, where there is no actual sample rate conversion (i.e. the src aspect is not a goal in itself, since the down-sampling -in the analysis bank- and up-sampling -in the synthesis bank- operations are complementary).

The group also contains numerous examples of polyphase implementations of FBs, normally including a form of DFT (Bellanger, p. 113: "realization of a uniform filter bank through combination of a polyphase network and a DFT computer"). This type of polyphase FB usually implements a channelizer ([H04L](#)), related to transmultiplexing.

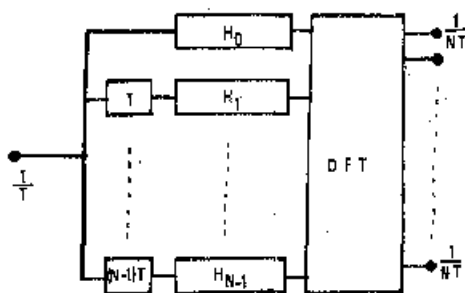
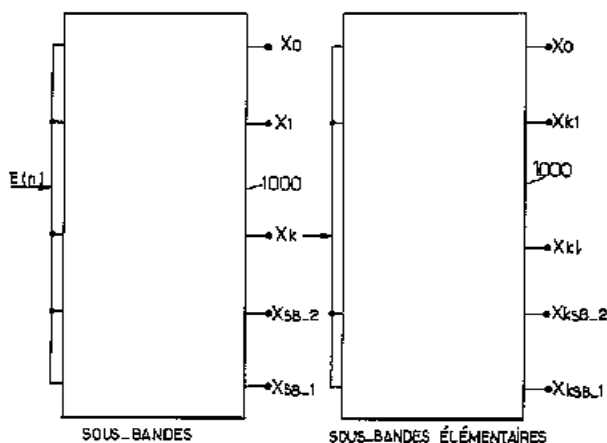


Fig. 7. Bank of filters using DFT polyphase network combination.

XP008081118

(Bellanger document)

If the implementation of the FB is polyphase, and if this is relevant in the document, the document should also be classified in [H03H 17/0273](#):



EP0595710

sub-band decomposition (other embodiments give the polyphase implementation)

Definition statement

FBs disclosing relevant details of src are double classified (i.e. add [H03H 17/0621](#) and subgroups, as convenient).

H03H 17/0267

{comprising non-recursive filters}

Definition statement

This place covers:

FIR Filter Banks (FBs) implemented with "multirate" techniques, where there is no actual sample rate conversion (i.e. the up-sampling and down-sampling operations are complementary).

Also FBs disclosing relevant details of FIR src. These documents are double classified (i.e. add [H03H 17/0621](#) and subgroups, as convenient).

H03H 17/0269

{comprising recursive filters}

Definition statement

This place covers:

IIR FBs implemented with "multirate" techniques, where there is no actual sample rate conversion (i.e. the up-sampling and down-sampling operations are complementary).

Also FBs disclosing relevant details of IIR src. These documents are double classified (i.e. add [H03H 17/0416](#) and subgroups, as convenient).

H03H 17/0273

{Polyphase filters}

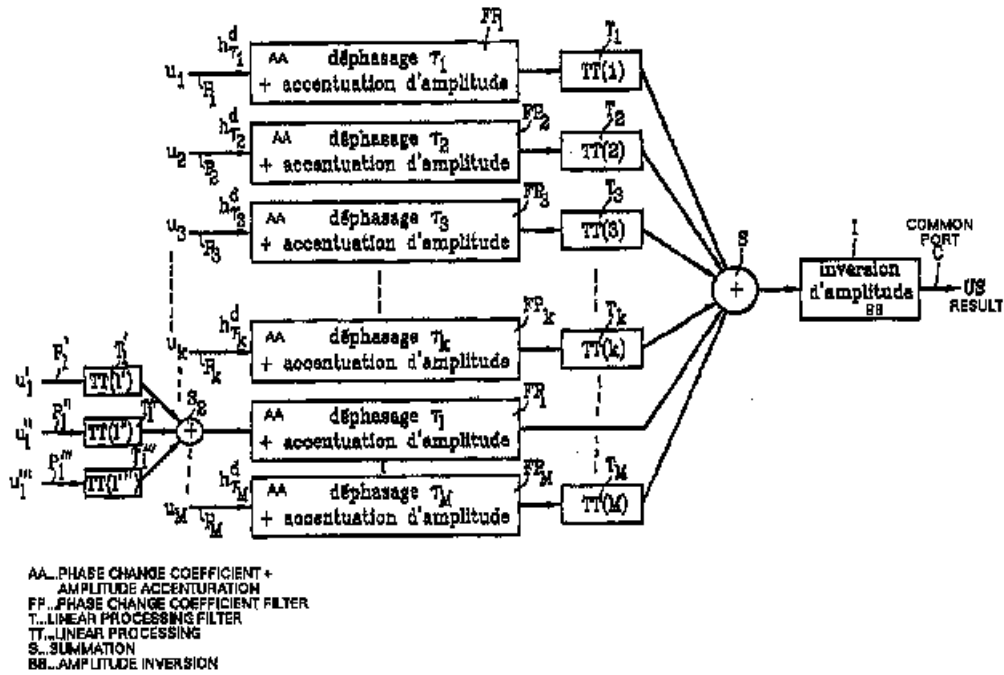
Definition statement

This place covers:

polyphase filters (alternative spelling poly-phase).

Definition statement

The group contains a few documents showing the basic polyphase decomposition, not being applied to FBs or for src:



FR2761550

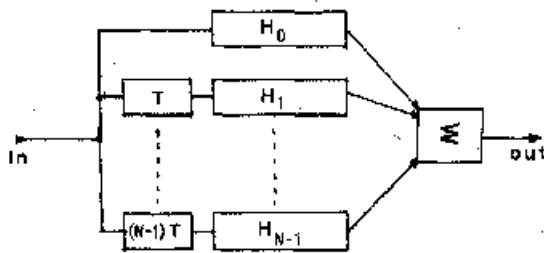


Fig. 3. Block diagram of the polyphase network of order N.

XP008081118

(Bellanger document)

polyphase implementations of FBs involving DFT (the term "channelizer" is commonly found in this context), where the polyphase decomposition is not relevant are not classified in [H03H 17/0273](#) and subgroups, but in [H03H 17/0266](#) and subgroups.

For example, this FB:

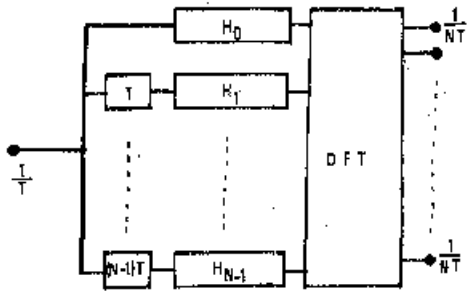
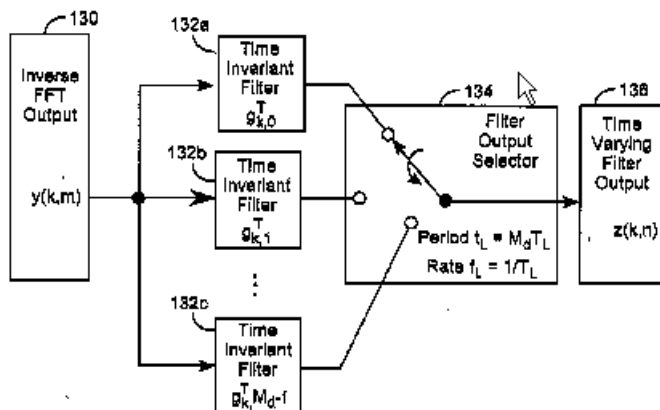


Fig. 7. Bank of filters using DFT polyphase network combination.

XP008081118

(Bellanger document)



US2005276335

The new group contains also, polyphase implementations where FIR and IIR filters are combined or the distinction FIR - IIR is not important:

Details of src are also classified in [H03H 17/0416](#) and subgroups and in [H03H 17/0621](#) and subgroups.

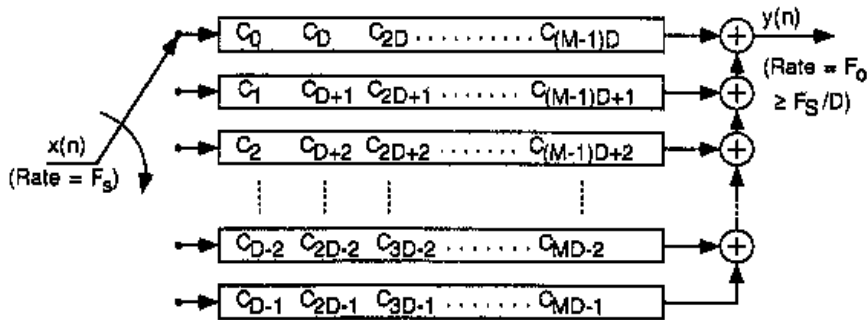
H03H 17/0275

{comprising non-recursive filters}

Definition statement

This place covers:

The group comprises FIR implementation of polyphase filters (i.e. the filters of each branch are FIR):



EP0881764

All documents in this group disclose polyphase implementations of FIR src.

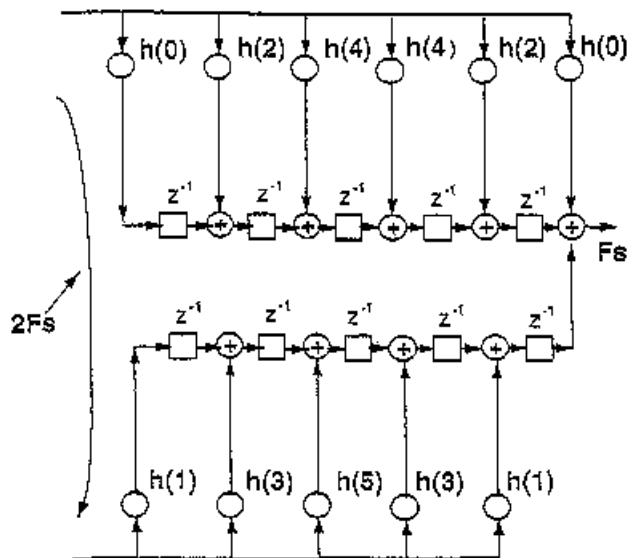
H03H 17/0276

{having two phases}

Definition statement

This place covers:

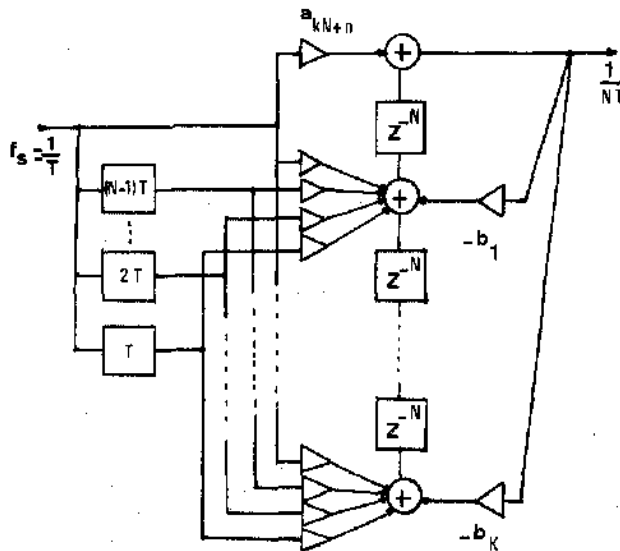
The group comprises two-phase (or two-path) polyphase filters:



US6260053

H03H 17/0277**{comprising recursive filters}****Definition statement***This place covers:*

The group comprises IIR implementation of polyphase filters:



XP008081118

decimator

(Bellanger document)

All documents in this group should disclose polyphase implementations of IIR src (src implemented with polyphase structure comprising IIR filters can be found by crossing this group with [H03H 17/0416](#) and subgroups).

H03H 17/0279

{having two phases}

Definition statement

This place covers:

two-phase (or two-path) polyphase filters:

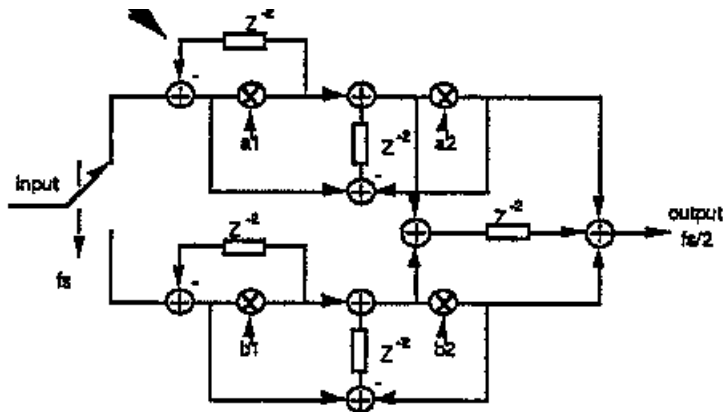


Figure 3 Two-path decimator with four-coefficient recursive sections

XP000370917

H03H 17/028

{Polynomial filters}

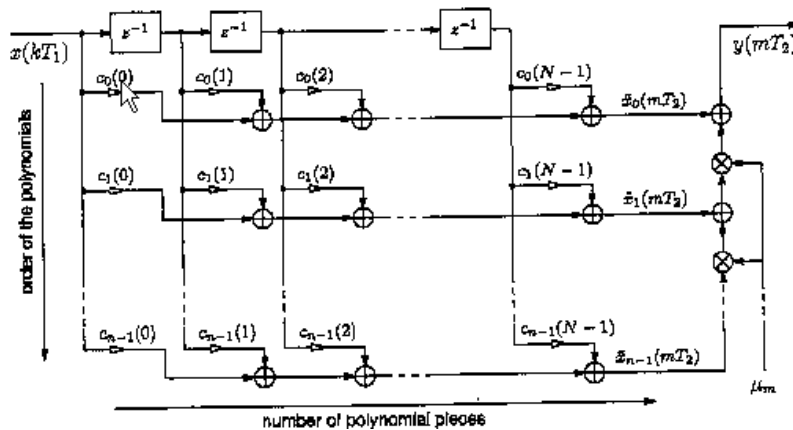
Definition statement

This place covers:

structures implementing polynomial-based filters (which here is taken to include splines).

For all polynomial-based filters (with the exception of splines) there is a Farrow implementation (if for Fractional Delay (FD), the documents should be classified instead in [H03H 17/0027](#): FIR FD filters).

Farrow implementation:



XP001019533

Based on splines:

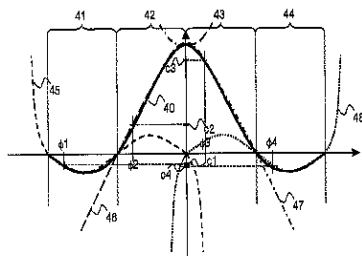
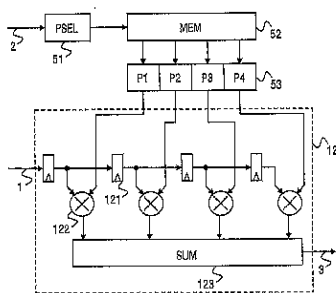


FIG. 4



EP1313219

the transfer function for the LP filter is approximated by a set of polynomials (splines). In Fig. 4, 4 polynomials are represented each polynomial (45 - 48) corresponds to an interval of 1 pixel. Only the coeffs. of the polynomials piecewise approximating the transfer function of the filter are stored in memory, the coefficients are calculated on-the-fly from the coefficients of the polynomials for any phase difference.

(This is understood according to XP1019533 as: some info. corresponding to the coeffs. must be initially stored; this is the coefficients, i.e. samples of the impulse response $h(t)$ which mark the starting points of the individual polynomial pieces -> for this reason this document is classified in ON-LINE COMPUTATIONS and not in PRE-COMPUTED)

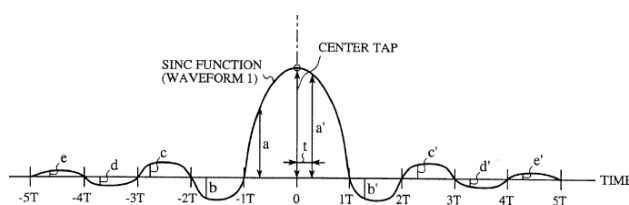
H03H 17/0282

{Sinc or gaussian filters ([H03H 17/0671](#) takes precedence)}

Definition statement

This place covers:

sinc or gaussian filters. A sinc filter is an idealized filter that removes all frequency components above a given bandwidth, leaves the low frequencies alone, and has linear phase. The filter's impulse response is a sinc function in the time domain, and its frequency response is a rectangular function.



US6442580

Gaussian filters are designed to give no overshoot to a step function input while minimizing the rise and fall time.

H03H 17/0416

{with input-sampling frequency and output-delivery frequency which differ, e.g. extrapolation; Anti-aliasing}

Definition statement

This place covers:

quite a few documents for which a unifying concept cannot be easily determined. The group must be consulted regularly, if the consultation of subgroups is not successful, it can be searched entirely or combined with subgroups.

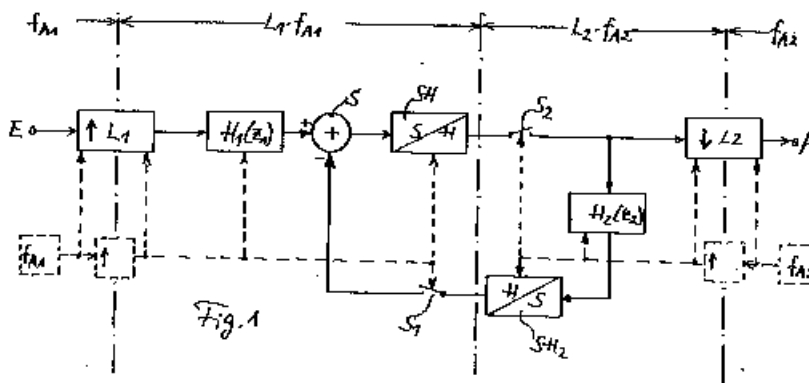
H03H 17/0422

{the input and output signals being derived from two separate clocks, i.e. asynchronous sample rate conversion}

Definition statement

This place covers:

asynchronous sample rate converting arrangements:



DE3942818

There is some overlap with [H03H 17/0433](#). The reason is that asynchronous src techniques allow conversions between arbitrary rates. The contrary is not true (see corresponding comment to [H03H 17/0422](#) in the booklet). For that reason the overlap can be tolerated. Documents mentioning and emphasizing the asynchronous technique will be classified in this group ([H03H 17/0422](#)). If the aspect of conversion between arbitrary rates is the one emphasized, the class should be [H03H 17/0427](#). If both, double classify.

H03H 17/0427

{characterized by the ratio between the input-sampling and output-delivery frequencies}

Definition statement

This place covers:

few documents related to srcs with structures which cannot be classified in the subgroups.

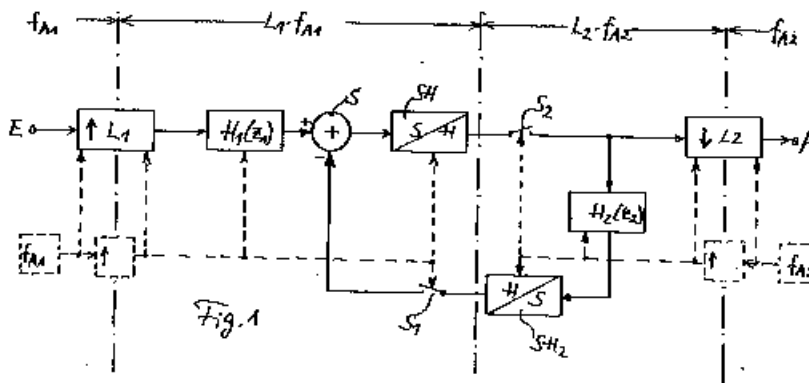
H03H 17/0433

{the ratio being arbitrary or irrational}

Definition statement

This place covers:

srcs performing arbitrary sample rate conversion or by an irrational (aka incommensurable) factor:



DE3942818

The group includes rational (= fractional) src, in cases where the numbers are too big to be handled by multi-stage arrangement, or cannot be represented as powers of two (in some cases the src method involves approximations, normally generating noise (jitter)).

The manipulation involved in these techniques appear to allow any conversion rate, and for this reason they are considered not to be limited to src by a fractional delay: these cases should be double classified in [H03H 17/0433](#) and also in [H03H 17/0455](#).

H03H 17/0438

{the ratio being integer}

Definition statement

This place covers:

few documents disclosing general details of srcs which cannot be classified in the subgroups.

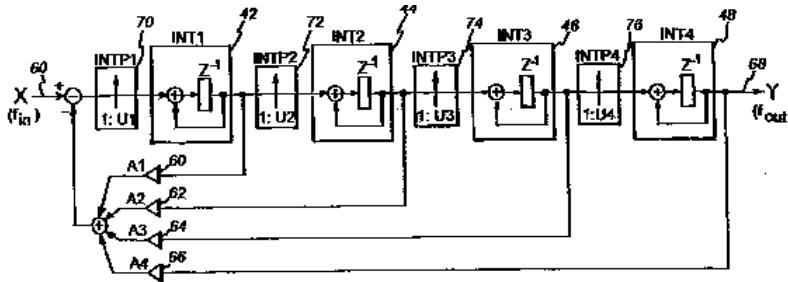
H03H 17/0444

{where the output-delivery frequency is higher than the input sampling frequency, i.e. interpolation}

Definition statement

This place covers:

interpolators (single and multi-stage):



WO9637953

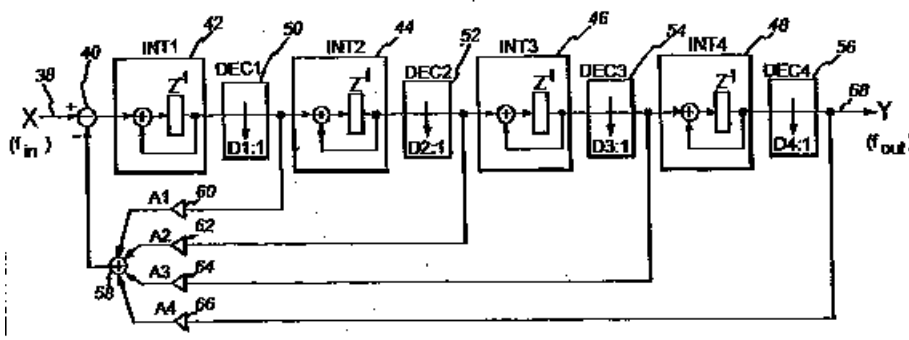
H03H 17/045

{where the output-delivery frequency is lower than the input sampling frequency, i.e. decimation}

Definition statement

This place covers:

decimators (single and multi-stage):



WO9637953

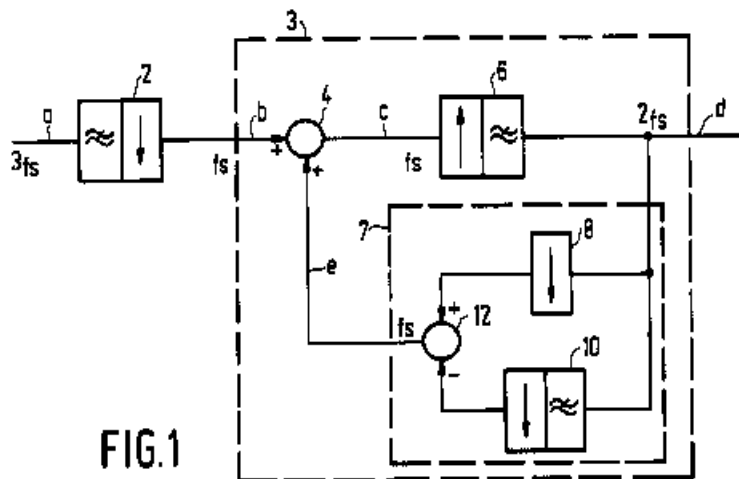
H03H 17/0455

{the ratio being rational}

Definition statement

This place covers:

srcs with rational (= fractional) conversion ratio. Normally, multi-stage arrangements comprising up-sampling and down-sampling stages:



EP0516221

When the numbers cannot be handled, approximating techniques are used (see comments to [H03H 17/0433](#)) which might be used to handle virtually any fractional rate. For this reason such documents are double classified in [H03H 17/0455](#) and [H03H 17/0433](#).

H03H 17/0621

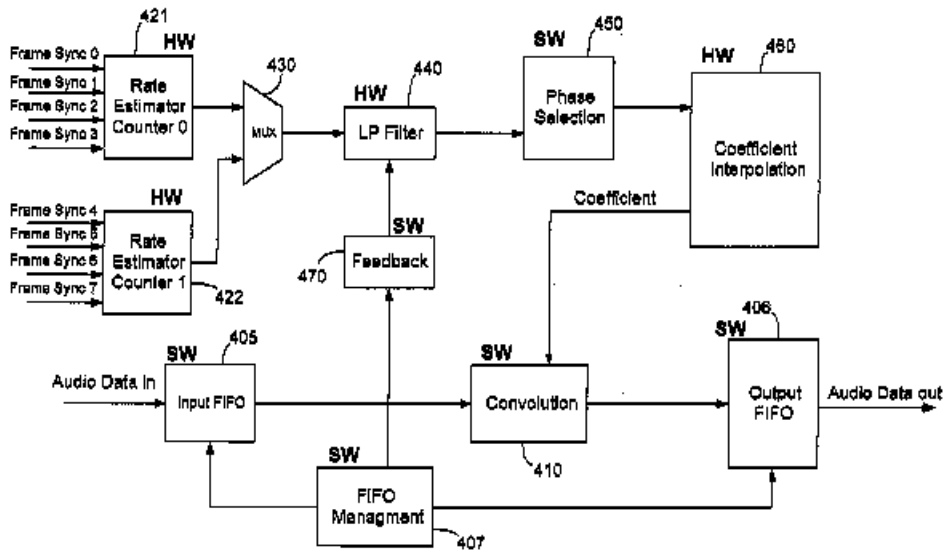
{with input-sampling frequency and output-delivery frequency which differ, e.g. extrapolation; Anti-aliasing}

Definition statement

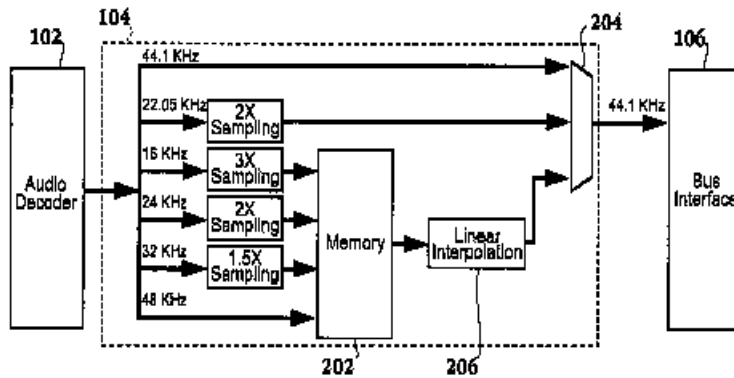
This place covers:

quite a few documents for which a unifying concept could not be found. The group must be consulted regularly, if the consultation of subgroups is not successful.

In this root group there are examples like this:

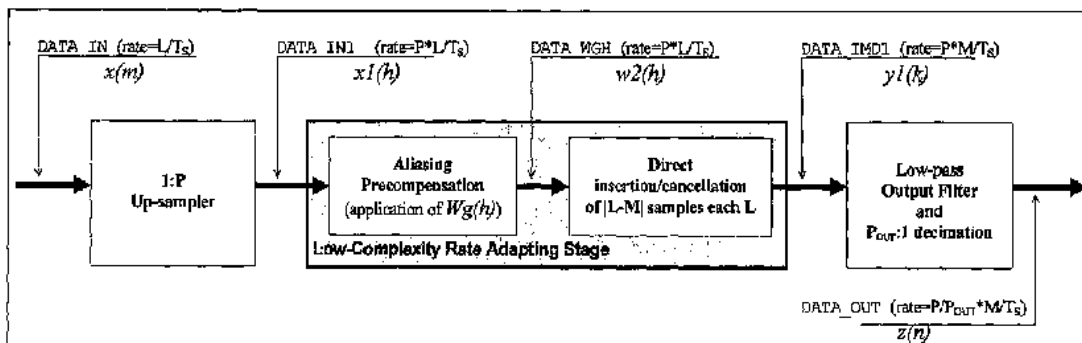


US2004184573



US2007046503

In a few cases, documents are classified in this group in addition to another class (purpose: redundancy facilitating recovery), like this one:



EP1569336

src by direct insertion / cancellation of samples

additional class: [H03H 17/0685](#) (src by a rational factor)

Details of anti-aliasing filters should additionally be classified in this class.

H03H 17/0628

{the input and output signals being derived from two separate clocks, i.e. asynchronous sample rate conversion}

Definition statement

This place covers:

asynchronous srcs:

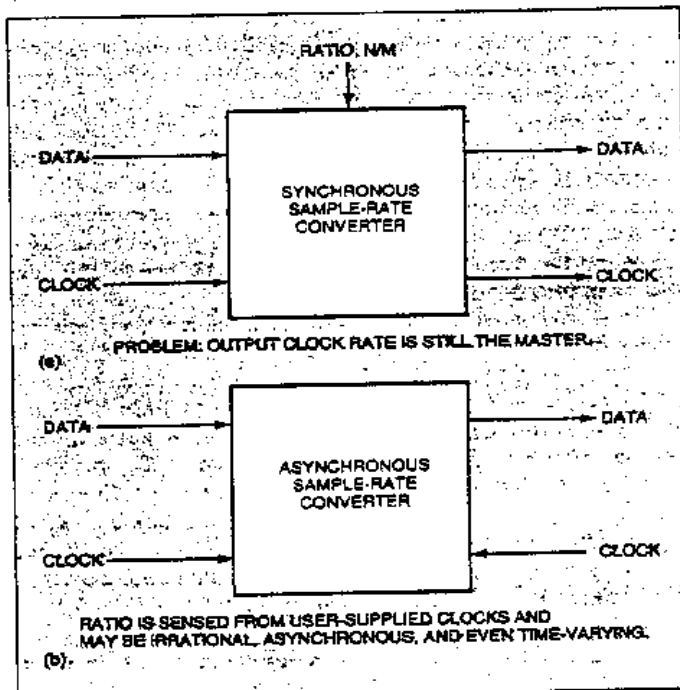


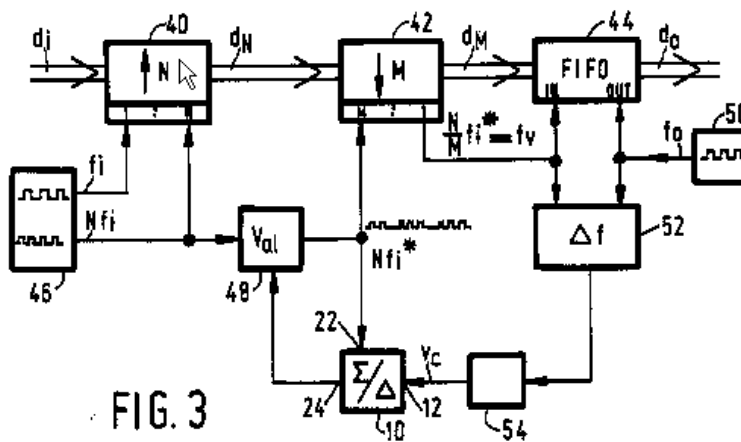
Fig 3—In a synchronous sample-rate conversion system (a), the user sets the frequency ratio explicitly to a rational number; in an asynchronous system (b), the ratio is sensed from user-supplied clocks and can be irrational, asynchronous, and even time-varying.

XP000691530

shows three aspects:

1. INTERRELATION IN CONCEPTS ASYNCHRONOUS -> ARBITRARY
2. ASYNCHRONOUS -> ALWAYS SENSING f_{in} & f_{out}
3. SYNCHRONOUS: RATIO f_{in}/f_{out} SET BY USER

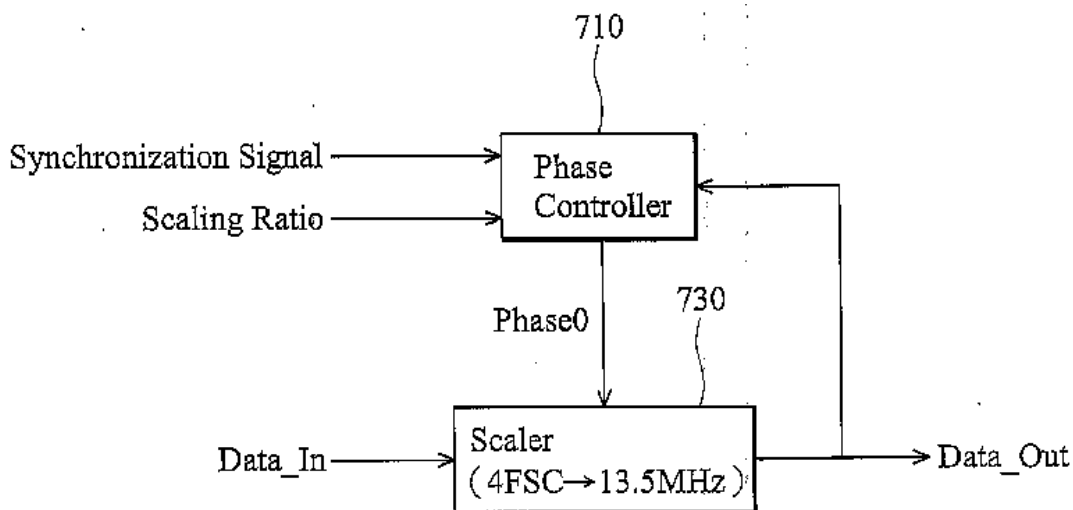
Example using sigma/delta modulation which is considered as asynchronous (and arbitrary) (because of the sigma/delta modulators, this kind of documents are also classified in [H03H 17/0614](#)):



EP0512619

method: SAMPLE VALIDATION

There is some overlap with [H03H 17/0642](#). The reason is that asynchronous src techniques allow conversion between arbitrary rates. The contrary is not true (e.g. polynomial-based src can approximate the transfer function and resample it, without requiring asynchronous techniques). For that reason the overlap can be tolerated. Documents mentioning and emphasizing the asynchronous technique will be classified in this group ([H03H 17/0628](#)). If the aspect of conversion between arbitrary rates is the one emphasized, the class should be [H03H 17/0635](#). If both, double classify.



US2008027668

Digital phase calibration may be implemented in a similar manner. One statistical value is generated for each phase offset by calculating an absolute value of the scaled signal in one field. The optimum phase offset maximizes the statistical value. In some embodiments, the statistical value is generated by summing absolute values or square values of the filtered signal of the scaler output signal

H03H 17/0635

{characterized by the ratio between the input-sampling and output-delivery frequencies}

Definition statement

This place covers:

Few documents related to srcs with structures which cannot be classified in the subgroups.

H03H 17/0642

{the ratio being arbitrary or irrational}

Definition statement

This place covers:

Srcs performing arbitrary sample rate conversion or by an irrational (aka incommensurable) factor:

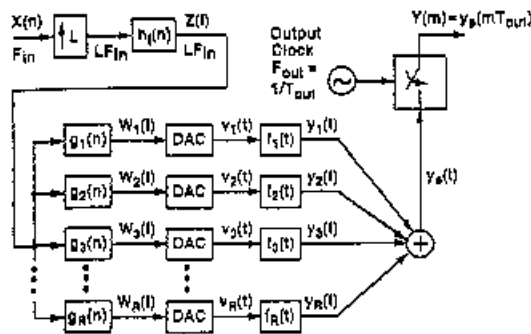
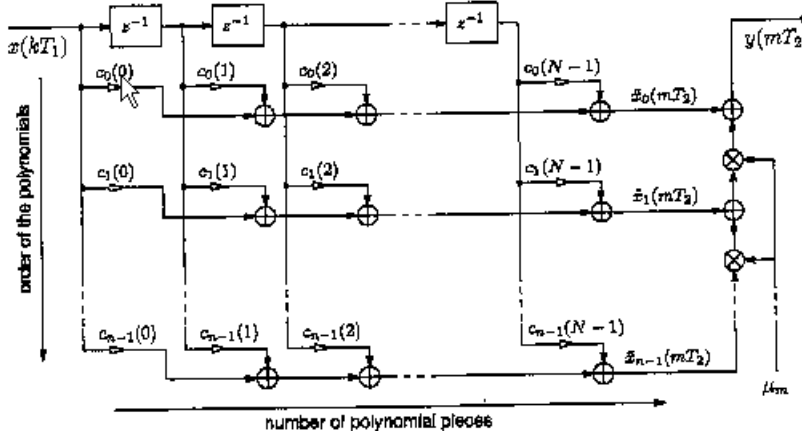


Figure 1. An intermediate stage for developing an efficient technique for conversion between arbitrary sampling rates.

XP000948145

with a Farrow implementation of a polynomial based src filter:



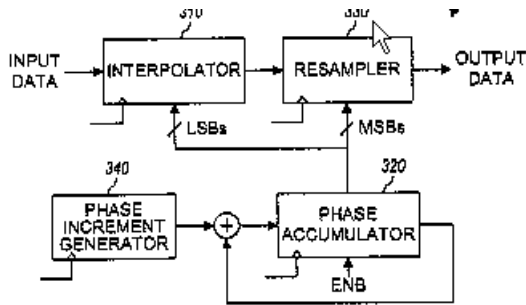
XP001019533

The group includes cases of rational (or fractional) src, where:

- the numbers are too big to be handled by multi-stage arrangement, or
- in certain cases where the numbers cannot be represented as powers of two.

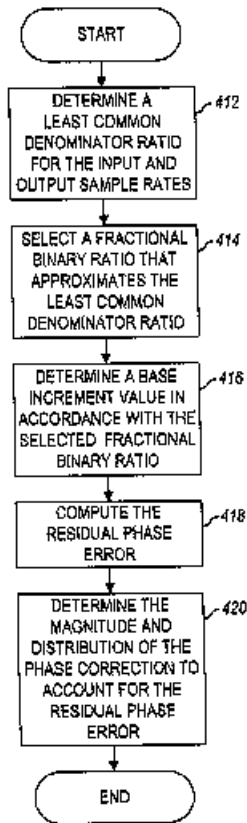
Definition statement

In these cases approximations are realized, normally generating noise (jitter). These techniques involving approximations appear to allow any conversion rate, and for this reason they are considered not to be limited to rational src, and are double classified ([H03H 17/0642](#) and [H03H 17/0685](#)):



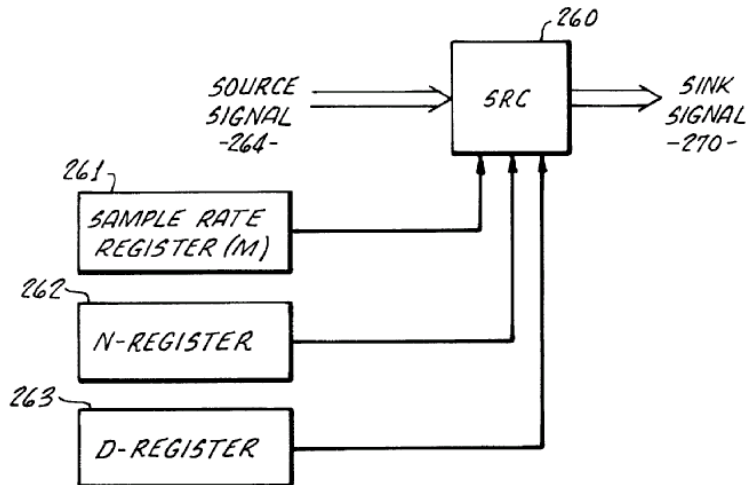
US6226661

To which the following flow-chart corresponds:



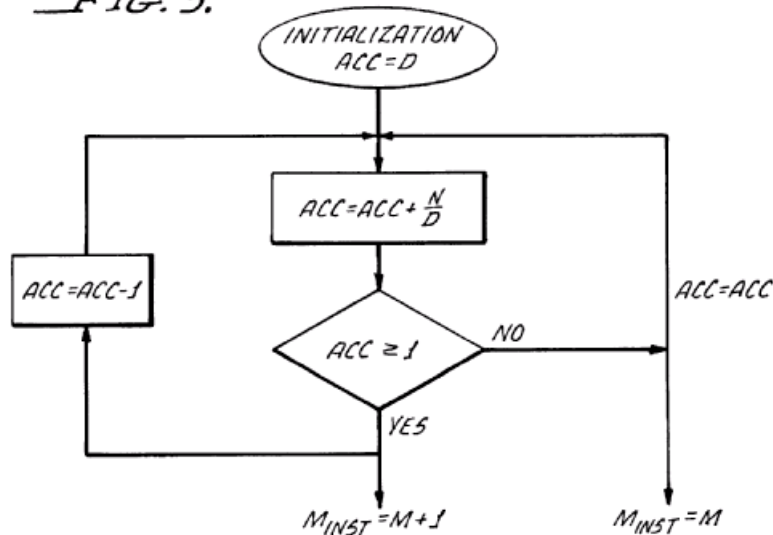
US6226661

- structures like PLL are used to generate an effective average sampling rate, i.e. at times the numerator or denominator of the fractional ratio is M and at other times M+1, so that the effective value is the average; because of its flexibility, this solution for rational src is double classified as arbitrary and rational ([H03H 17/0642](#) and [H03H 17/0685](#)).



US5916301

FIG. 3.



US5916301

Fractional sample rate conversion "for all synchronous rates where all rates are derived from the same crystal oscillator":

The exact ratio is expressed as $[M+N/D]/L$ with L being a constant. The value of N/D is accumulated and depending on the overflow condition, either M or $M+1$ is selected as sample rate ratio for the conversion of each sample

H03H 17/065

{the ratio being integer}

Definition statement

This place covers:

Few documents disclosing general details of srcs which cannot be classified in the subgroups.

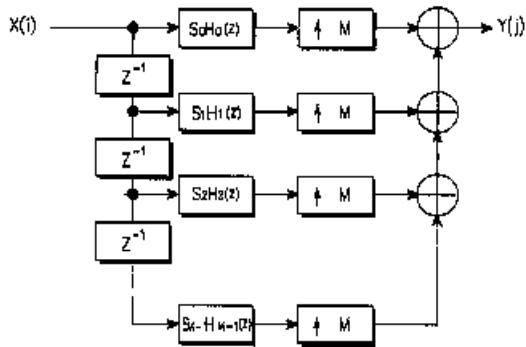
H03H 17/0657

{where the output-delivery frequency is higher than the input sampling frequency, i.e. interpolation}

Definition statement

This place covers:

Interpolators (single and multi-stage):



US2002156820

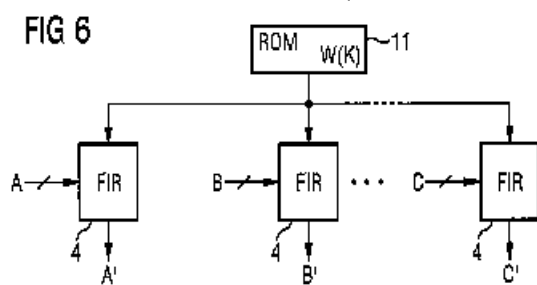
H03H 17/0664

{where the output-delivery frequency is lower than the input sampling frequency, i.e. decimation}

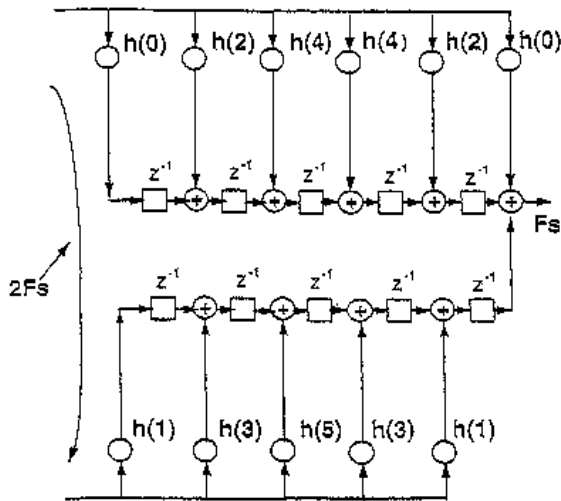
Definition statement

This place covers:

Decimators (single and multi-stage):



WO2006069743



US6260053

H03H 17/0671

{Cascaded integrator-comb [CIC] filters}

Definition statement

This place covers:

cascaded integrator-comb (CIC) structures and, in general, structures combining integrators and differentiators in combination.

(Atn! CIC structures are sometimes simply called "comb".)

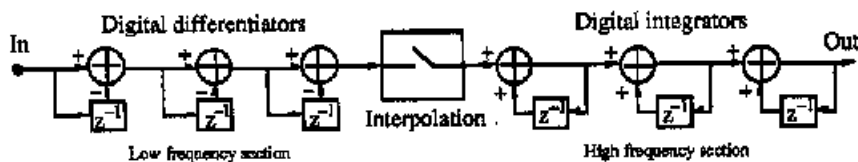


Fig. 1. Block diagram of a sinc^3 filter.

XP010115142

(fig corresponds to P.A. of doc.: implementing an interpolating SINC3 filter)

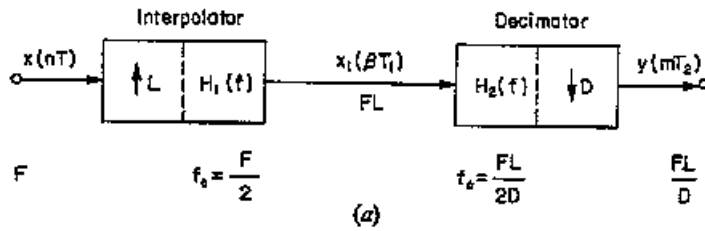
H03H 17/0685

{the ratio being rational}

Definition statement

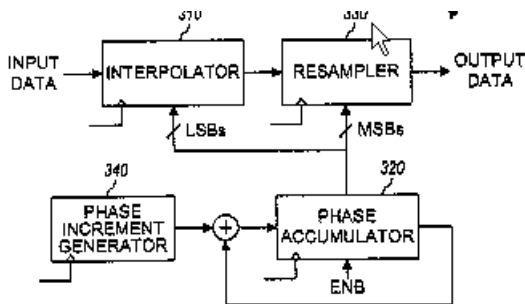
This place covers:

Srcs with rational (= fractional) conversion ratio. Normally, multi-stage arrangements comprising up-sampling and down-sampling stages:



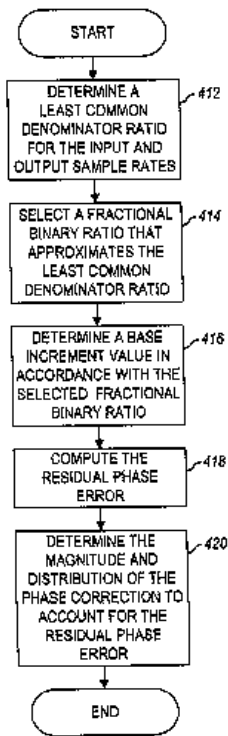
XP000275090

When the numbers cannot be handled, approximating techniques are used (see comments to [H03H 17/0642](#)) which might be used to handle virtually any fractional rate. For this reason such documents are double classified ([H03H 17/0685](#) and [H03H 17/0642](#)):

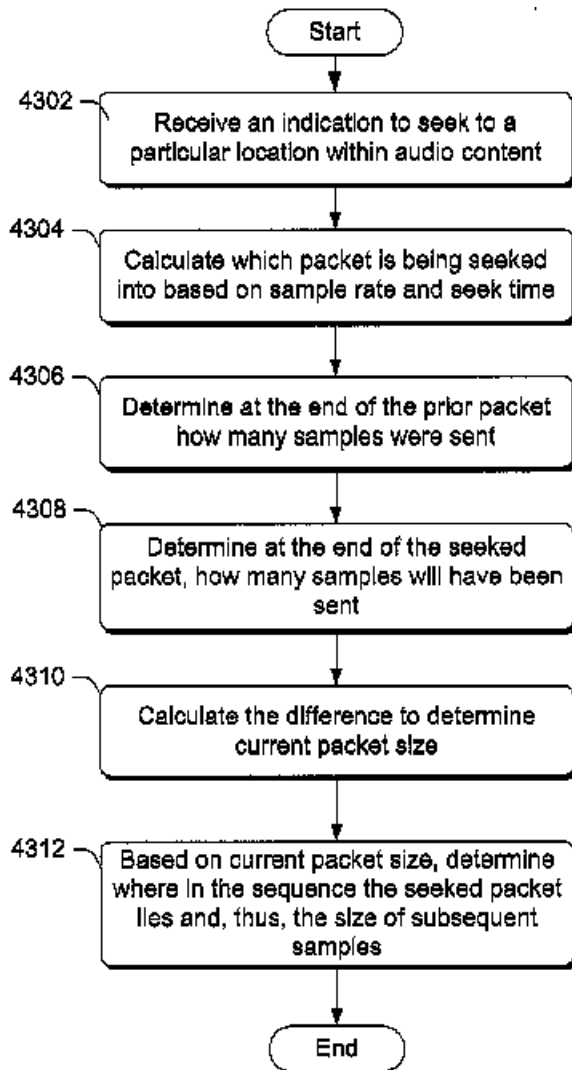


US6226661

To which the following flow-chart corresponds:



US6226661



US2002111980

H03H 19/00

Networks using time-varying elements, e.g. N-path filters

Definition statement

This place covers:

N-path filters comprising N parallel branches, each with input and output modulators and a time-invariant network which is identical for all branches.

Switched capacitor (SC) networks with building blocks comprising OPAMPS with resistances and switched capacitors at the inputs and / or within feedback networks.

Networks with time-varying elements not susceptible of classification in any of the other main groups.

No digital networks.

References

Limiting references

This place does not cover:

Amplifiers using switched-capacitors	H03F 3/005
--------------------------------------	----------------------------

Informative references

Attention is drawn to the following places, which may be of interest for search:

Generating pulses by repetitive charge or discharge of a capacitor	H03K 4/023
Modifications for eliminating interference voltages or currents in field-effect transistor switches	H03K 17/161

Special rules of classification

Switched capacitor networks for a specific purpose (different from filtering) are not classified in [H03H 19/00](#), but in the corresponding application field.

Glossary of terms

In this place, the following terms or expressions are used with the meaning indicated:

N-path filter	filter with N parallel resistive-capacitive filter sections and a switching arrangement to connect each filter section periodically into an input signal path through the filter, wherein each filter section has an identical transfer function
Switched capacitor network	electronic circuit element used for discrete time signal processing: capacitors are charged / discharged when switches are opened and closed, under control of non-overlapping signals

H03H 21/00

Adaptive networks

Definition statement

This place covers:

Analog and digital Filters with a closed-loop configuration, wherein the modification of the filter coefficients or transfer function is adaptively performed according to the minimization of a cost function or on performance criteria

References

Limiting references

This place does not cover:

Multidimensional filters for image processing	G06T 5/00
Automatic control of equalizers	H03G 5/165
Equalizers	H04L 25/03019

Informative references

Attention is drawn to the following places, which may be of interest for search:

Adaptive control systems	G05B 13/00
Blind Source Separation	G06F 2218/12
Adaptive noise cancellation	G10K 11/00
Adaptive speech recognition	G10L 15/065
Beamforming	H01Q 19/32
Adaptive echo cancellation	H04B 1/525
Decision-Feedback equalizers	H04L 25/03057
Time-domain equalizers	H04L 25/03133

Special rules of classification

Adaptive filters with feedback (closed-loop configurations), wherein the coefficients are not updated based on the minimization of a cost function or performance criteria are considered to be "dynamically reconfigurable" and are classified in [H03H 17/0294](#)

Glossary of terms

In this place, the following terms or expressions are used with the meaning indicated:

Dynamically reconfigurable filters	filters with variable, selectable characteristics, wherein no cost function is minimized
Shadow filter	case in which two filters are simultaneously adapted, wherein the results of the adaptation process of one of them is used for adapting the other
Inverse modelling, inverse filtering	process of synthesizing an inverse function $H^{-1}(z)$ of the communication channel transfer function $H(z)$

Synonyms and Keywords

In patent documents, the following abbreviations are often used:

ANC	adaptive noise cancellation
BSS	blind signal separation
DFE	decision-feedback equalizer
FIR	finite impulse response
IIR	infinite impulse response
LS	least squares
MIMO	multiple input – multiple output
MISO	multiple input – single output
RLS	recursive least squares
SG	stochastic gradient